



Count on it.

Parts Catalog

Turf Sweeper 4800

Model No. 44044—Serial No. 240000001 and Up

Ordering Replacement Parts

To order replacement parts, please supply the part number, the quantity, and the description of each part desired.

Understanding Reference Numbers

Each identified part in an illustration has a reference number. The reference number for a part also appears in the parts list, along with other information about the part.

This catalog uses two special reference number formats, one to indicate parts in a service assembly and another to indicate the quantity of a given part in an illustration.

Service Assembly Reference Numbers

Parts in service assemblies have reference numbers in the form a:b. The a represents the reference number of the entire service assembly and the b represents a sequential number unique to each part within the service assembly.

For example, a wheel assembly might be identified by reference number 6, the tire by 6:1, the valve by 6:2, and the wheel by 6:3. When you order the assembly identified by reference number 6, you receive all parts identified by reference numbers 6:1, 6:2, and 6:3. However, you may also order any part individually. Reference numbers of this type appear in illustration and in parts lists.

Reference Numbers Indicating Quantity

In an illustration, if a reference number indicates more than one part, the reference number has the form nX y. The n represents the quantity of the part, the X is the multiplication symbol, and the y represents the reference number.

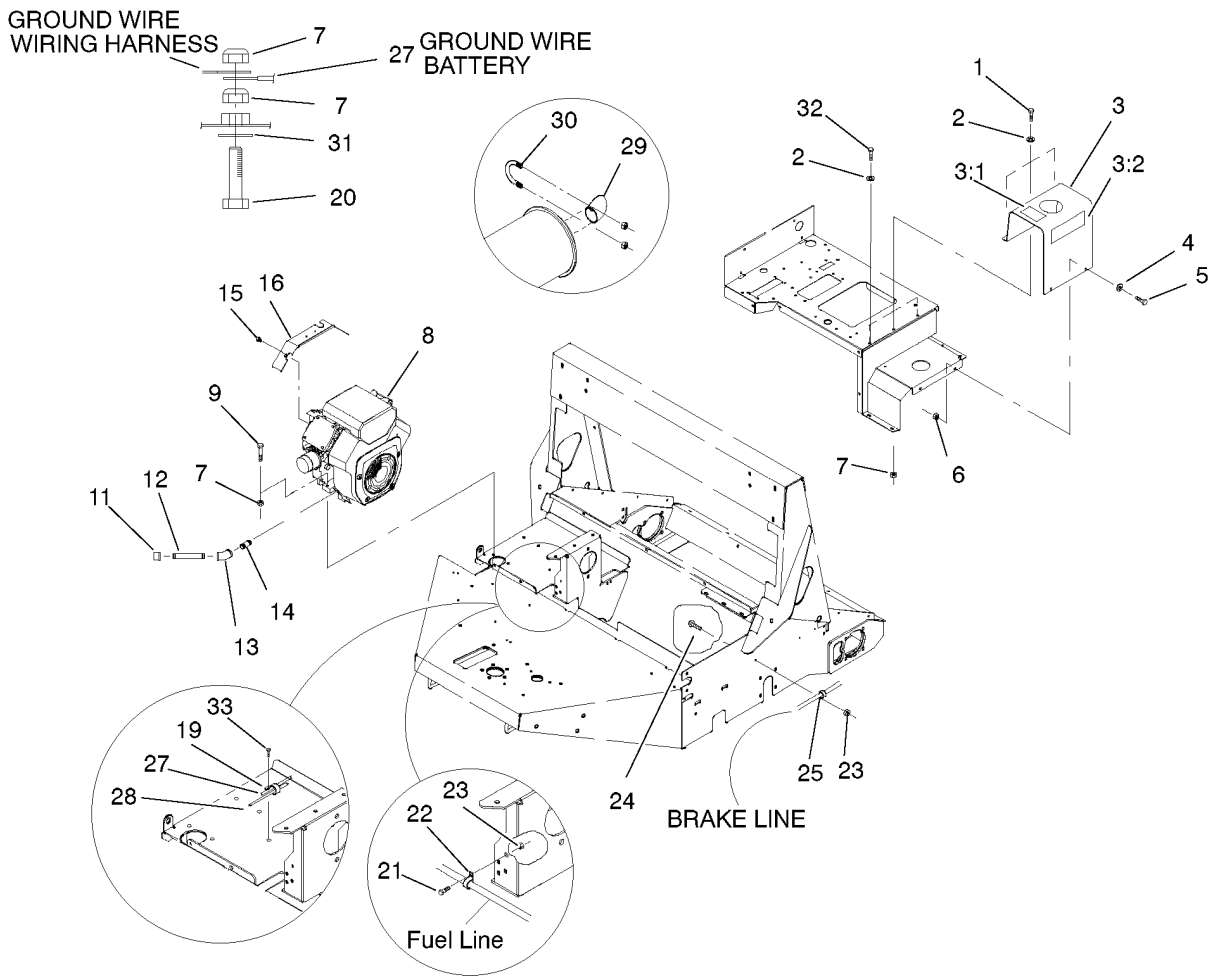
For example, in an illustration, the reference number 2X 37 means that two of the parts identified by reference number 37 are indicated.

List of Abbreviations

AR: as required	HSBH: hex socket button head	SFH: slotted fillister head
ASM: assembly	HSFH: hex socket flat head	SHH: slotted hex head
BBC: blade brake control	HSH: hex socket head	SHWH: slotted hex washer head
BHTF: button head thread forming	HWH: hex washer head	SPH: slotted pan head
CARR: carriage	HWHTF: hex washer head thread forming	SQH: square head
CCW: counter clockwise	HYD: hydraulic	SRH: slotted round head
CW: clockwise	LH: left hand	STD: standard
DEG: degrees	LP: Liquid Propane	TAP: self tapping
ECM: electronic control module	NI: nylon insert	TTH: torx truss head
EXT: external	NPTF: national pipe thread fine	
FH: flat head	PFH: phillips flat head	
GA: gauge	PPH: phillips pan head	
HD: heavy-duty	PPHTF: phillips pan head thread forming	
HF: hex flange	PRH: phillips round head	
HH: hex head	PTH: phillips truss head	
HHF: hex head flange	PTO: power-take-off	
HHFTF: hex head flange thread forming	RH: right hand	
HJ: hex jam	ROPS: roll-over protection system	
HLH: hex lag head	RRB: rear roller brush	
HOC: height-of-cut		

Contents

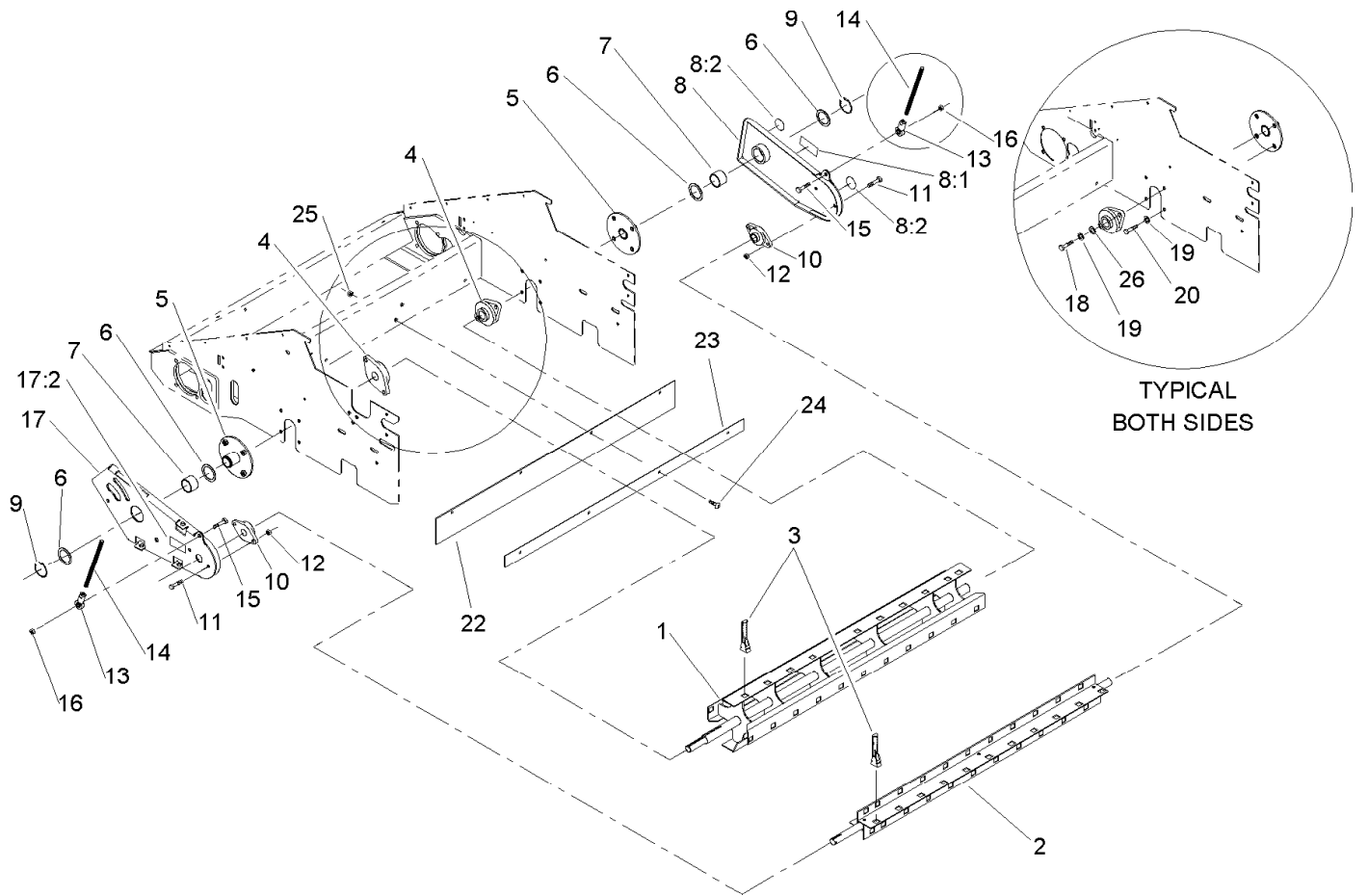
Engine Mounting Assembly	4
Reel Assembly	5
Drive Shaft-Pump Assembly	6
Belt Drive and Clutch Assembly	7
Electric Clutch Assembly No. 98-5308	8
Reel Lift Assembly	9
Neutral Return System Assembly	10
Yoke Assembly	11
Seat Assembly	12
Control Panel Assembly	13
Parking Brake Assembly	14
Wheel and Brake Assembly	15
Brake Assembly No. 104-7705	16
Hydraulic Motor Assembly No. 92-9199	17
Hopper Assembly	18
Hopper Mounting Assembly	19
Door Assembly	20
Door Lift Assembly	21
Hydraulic Reservoir And Fuel Tank Assembly	22
Pump Assembly	23
Hydraulic Pump Assembly No. 95-0156	24
Tilt Assembly	26
Traction Control Assembly	27
Hydraulic Tube and Hose Assembly	28
Main Frame Assembly	29
Main Frame Decal Assembly No. 100-4012	30
Crankshaft And Crankcase Assembly Kohler Ch18S PS-62595	31
Oil Pan And Lubrication Assembly Kohler Ch18S PS-62595	32
Head, Valve And Breather Assembly Kohler Ch18S PS-62595	33
Ignition And Electrical Assembly Kohler Ch18S PS-62595	34
Blower Housing And Baffle Assembly Kohler Ch18S PS-62595	35
Starting System Assembly Kohler Ch18S PS-62595	36
Fuel System Assembly Kohler Ch18S PS-62595	37
Engine Control Assembly Kohler Ch18S PS-62595	38
Air Intake Assembly Kohler Ch18S PS-62595	39
Exhaust Assembly Kohler Ch18S PS-62595	40



Engine Mounting Assembly

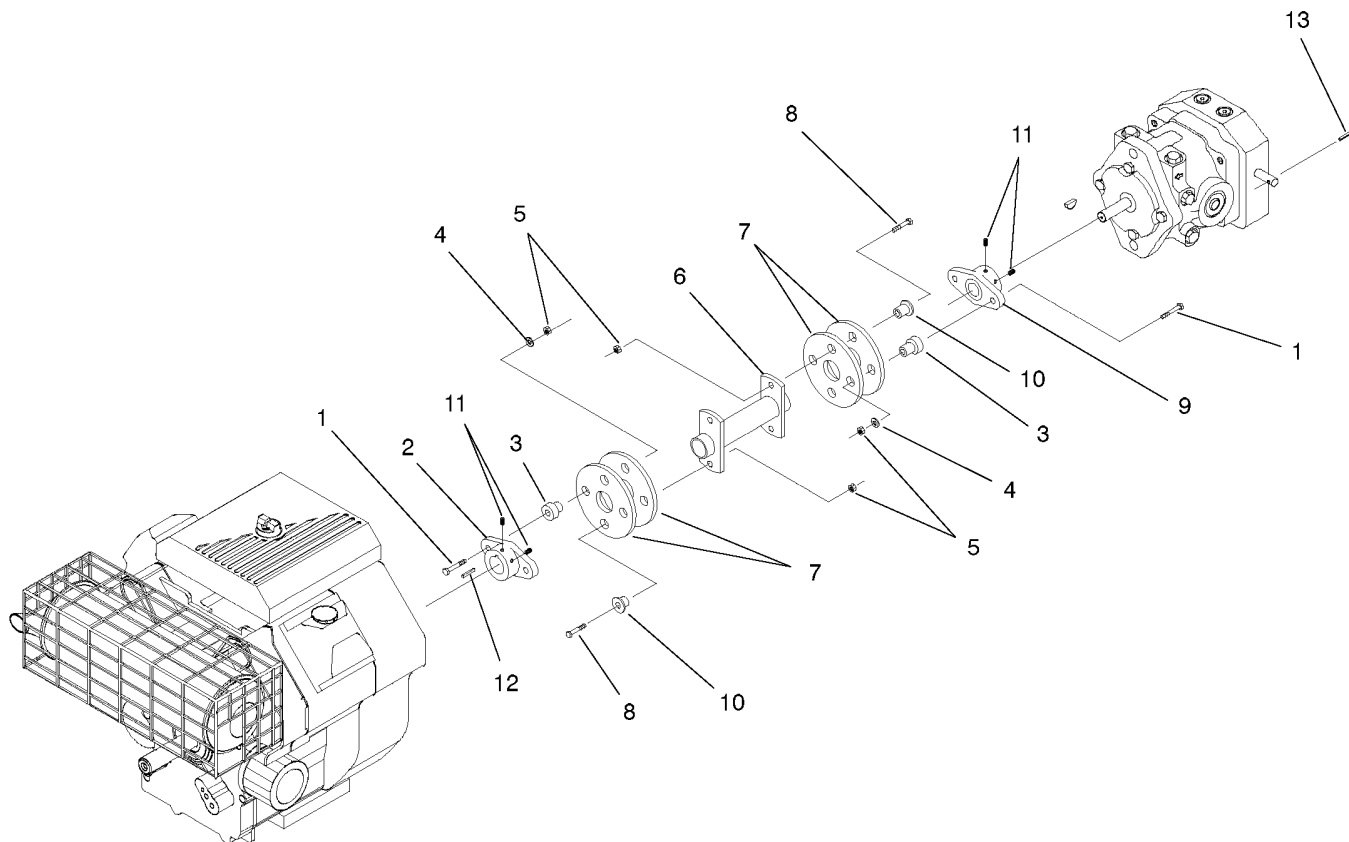
Ref.	Part Number	Qty.	Description
1	323-6	2	Screw-HH
2	3256-24	3	Washer-Flat
3	95-4850	1	Gas Tank Cover ASM
3:1	27-7310	1	Decal-Refueling
3:2	53-4420	1	Decal-Gas
4	3256-23	2	Washer-Flat
5	322-5	2	Screw-HH
6	3296-29	2	Nut-Lock, NI
7	3296-39	8	Nut-Lock, NI
8	95-4907	1	Engine-Kohler
9	323-9	3	Screw-HH
11	288-10	1	Cap-Pipe
12	289-48	1	Nipple
13	95-4824	1	Fitting-HYD, 45 DEG
14	01-456-0050	1	Nipple-Pipe
15	33103-012	2	Screw-HHF

Ref.	Part Number	Qty.	Description
16	95-4856	1	Engine Heat Guard ASM
19	2412-105	1	Clamp-Tube, Double
20	323-11	1	Screw-HH
21	321-4	1	Screw-HH
22	2412-73	1	Clamp-R
23	3296-42	3	Nut-Lock, NI
24	3229-1	2	Screw-CARR
25	2412-89	2	Clamp
27	95-4828	1	Cable-Battery, Neg.
28	95-4827	1	Cable-Battery, Pos.
29	95-4797	1	Exhaust-Outlet, 90 DEG
30	2112-11	1	Muffler Clamp ASM
31	3255-9	1	Washer-Lock
32	323-4	1	Screw-HH
33	32144-14	1	Screw-HWHTF



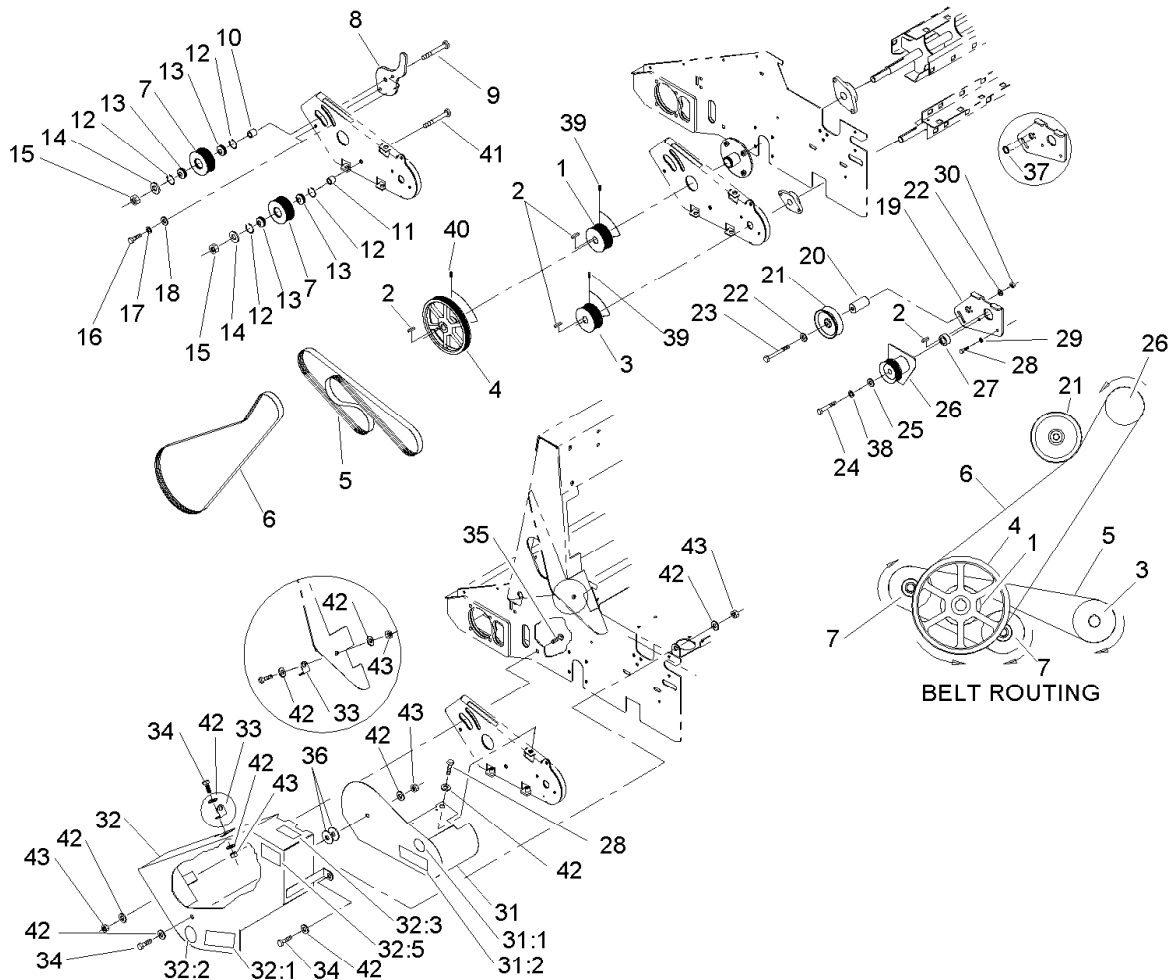
Reel Assembly

<i>Ref.</i>	<i>Part Number</i>	<i>Qty.</i>	<i>Description</i>	<i>Ref.</i>	<i>Part Number</i>	<i>Qty.</i>	<i>Description</i>
1	106-1080-03	1	Rear Reel ASM	13	2411-44	2	End-Rod
2	95-4934-03	1	Reel-Front	14	95-4822	2	Rod-Threaded
3	01-279-0010	88	Finger-Rubber	15	325-6	2	Screw-HH
4	106-1082	2	Bearing-Flange, 2 Bolt	16	3296-23	2	Nut-Lock, NI
5	106-1085-03	2	Reel Spindle ASM	17	98-8882	1	RH Reel Plate ASM
6	01-168-2810	4	Bushing-Narrow	17:2	88-8950	1	Decal-Warning
7	98-8856	2	Bushing-Oilight	18	324-7	4	Screw-HH
8	98-8883	1	LH Reel Plate ASM	19	3253-6	8	Washer-Lock
8:1	01-506-0080	1	Decal-Hands And Feet	20	324-4	4	Screw-HH
8:2	58-6520	2	Decal-Grease	22	98-8878	1	Deflector-Rubber
9	98-8858	2	Ring-Retaining	23	98-8879-01	1	Plate-Backing
10	98-8872	2	Bearing-Flange	24	3230-2	4	Bolt-CARR
11	324-5	4	Screw-HH	25	3296-29	4	Nut-Lock, NI
12	3296-48	4	Nut-Lock, NI	26	3256-25	4	Washer-Flat



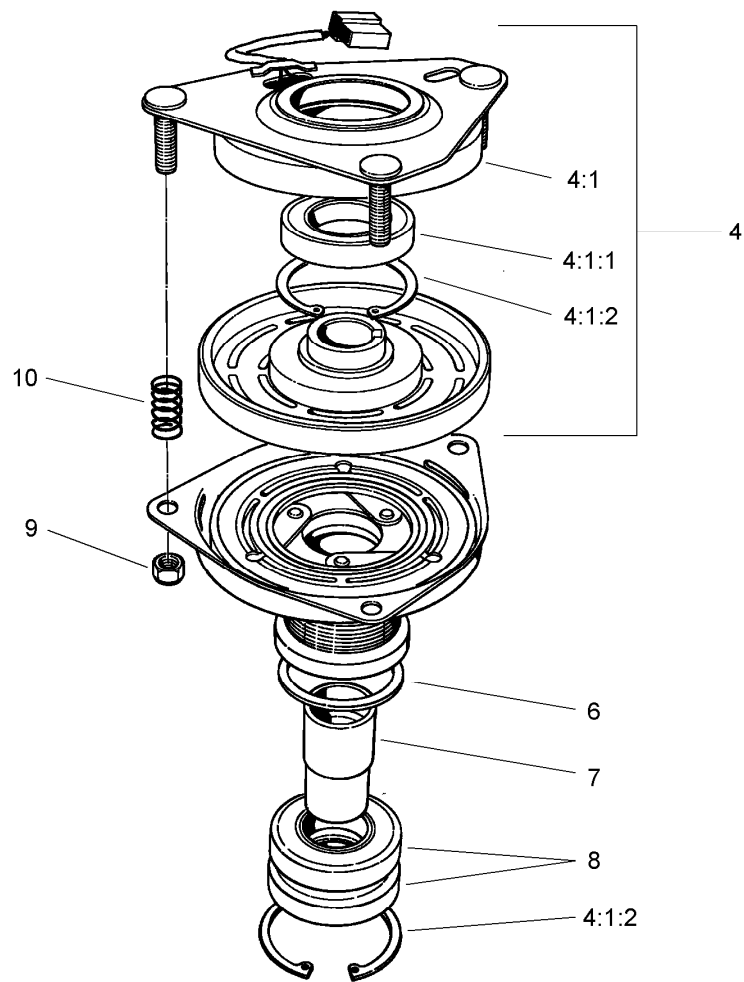
Drive Shaft-Pump Assembly

<i>Ref.</i>	<i>Part Number</i>	<i>Qty.</i>	<i>Description</i>
1	322-10	4	Screw-HH
2	27-1960	1	Hub-Engine
3	71-4410	4	Spacer
4	3256-23	4	Washer-Flat
5	3296-29	8	Nut-Lock, NI
6	71-4400-03	1	Coupling-Drive
7	44-2230	4	Coupling-Rubber
8	322-7	4	Screw-HH
9	33-4380	1	Hub-Pump
10	71-4411	4	Spacer
11	3241-5	4	Screw-Set
12	5-4916	1	Key
13	32121-6	1	Pin-Roll, Slotted



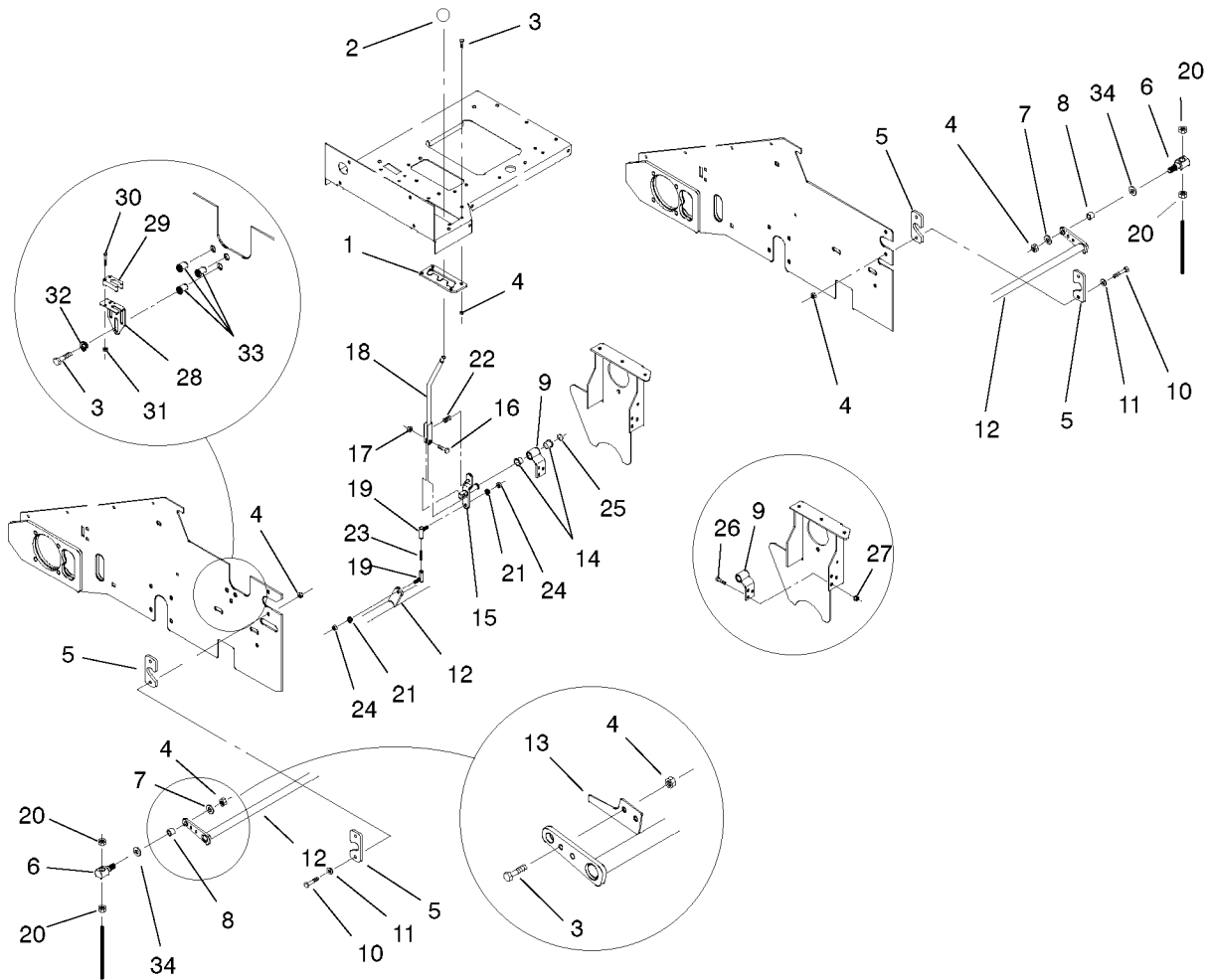
Belt Drive and Clutch Assembly

Ref.	Part Number	Qty.	Description	Ref.	Part Number	Qty.	Description
1	98-8853	1	Pulley-Goodyear	26	98-5308	1	Electric Clutch ASM
2	7-0238	4	Key-Square	27	98-8860	1	Spacer
3	98-8851	1	Pulley	28	323-6	7	Screw-HH
4	98-5351	1	Pulley	29	3253-5	4	Washer-Lock
5	98-8867	1	Belt-Poly	30	3296-23	1	Nut-Lock, NI
6	98-8868	1	Belt-Poly	31	98-8884	1	Lower Guard ASM
7	98-8852	2	Pulley-Idler	31:1	58-6520	1	Decal-Grease
8	98-8850-03	1	Plate-Arm, Adjustment	31:2	67-5360	1	Decal-Danger
9	327-16	1	Screw-HH	32	98-8881	1	Upper Guard ASM
10	98-8863	1	Spacer	32:1	01-506-0080	1	Decal-Hands And Feet
11	98-8862	1	Spacer	32:2	58-6520	1	Decal-Grease
12	98-8859	4	Ring-Retaining, Int.	32:3	67-5360	1	Decal-Danger
13	98-8854	4	Bearing	32:5	98-8880	1	Decal-Routing, Belt
14	3256-27	2	Washer-Flat	33	98-8855-03	1	Bracket-Guard, Upper
15	3296-53	2	Nut-Lock, NI	34	323-7	4	Screw-HH
16	325-4	2	Screw-HH	35	3231-28	1	Screw-CARR
17	3253-7	2	Washer-Lock	36	95-4896	2	Washer-Nylon
18	3256-6	2	Washer-Flat	37	98-8529	1	Grommet
19	95-4912-03	1	Bracket-Clutch	38	3253-6	1	Washer-Lock
20	98-8861	1	Spacer	39	01-163-0030	4	Screw-Set, Hollow
21	01-268-0370	1	Pulley	40	3246-3	2	Screw-HSH
22	3256-26	2	Washer-Flat	41	327-14	1	Screw-HH
23	325-19	1	Screw-HH	42	3256-24	12	Washer-Flat
24	3212-11	1	Screw-HH	43	3296-39	5	Nut-Lock, NI
25	70-8040	1	Washer				



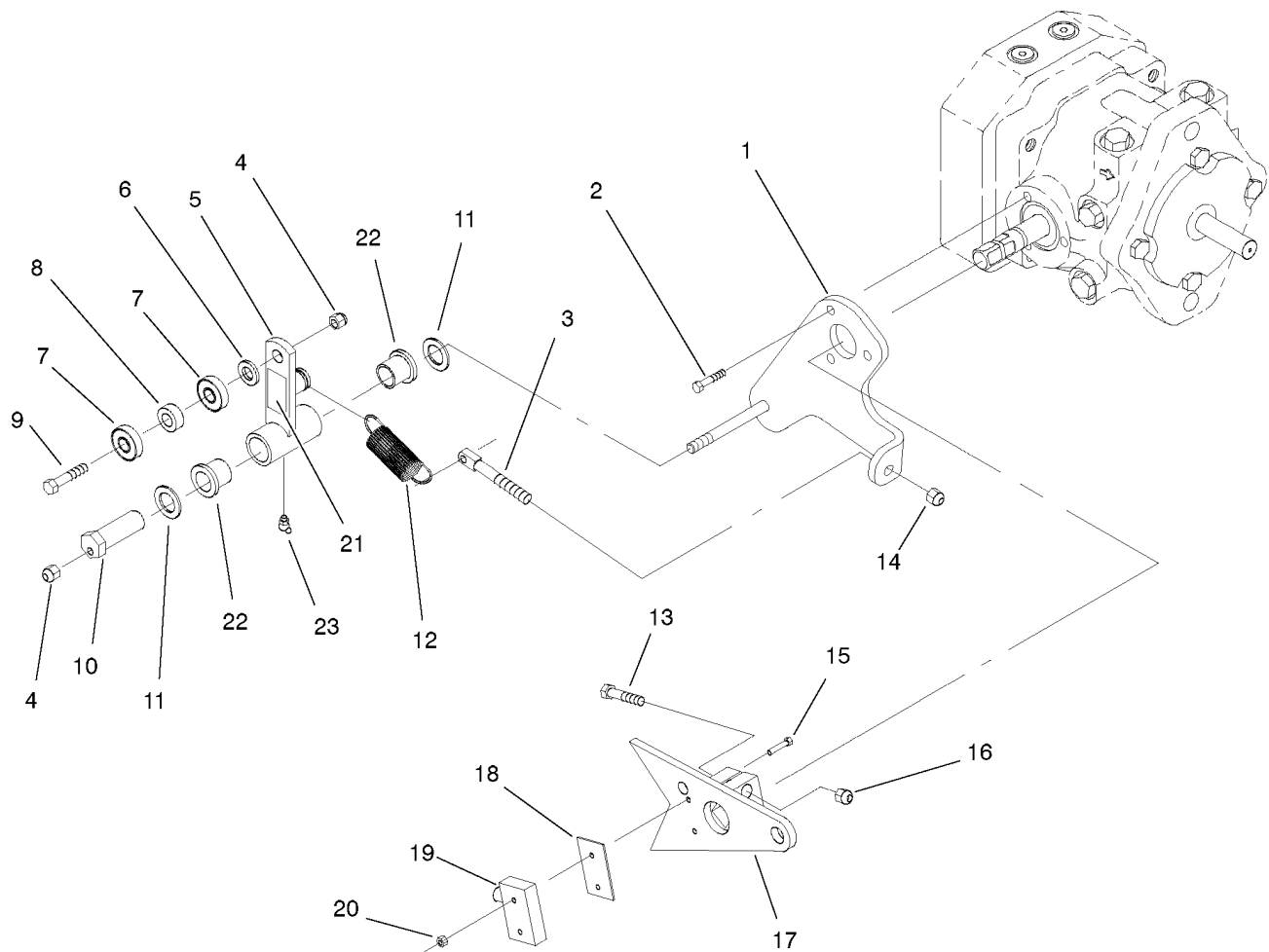
Electric Clutch Assembly No. 98-5308

<i>Ref.</i>	<i>Part Number</i>	<i>Qty.</i>	<i>Description</i>
4	44-8360	1	Field Coil/Rotor Bearing ASM
4:1	54-0230	1	Field Bearing ASM
4:1:1	251-292	1	Bearing-Field
4:1:2	44-8310	1	Ring-Retaining
6	44-8330	1	Spacer-Bearing, Pulley
7	98-5334	1	Collar-Bearing, Clutch
8	251-291	1	Bearing-Pulley
9	3296-6	3	Nut-Lock
10	44-8320	3	Spring



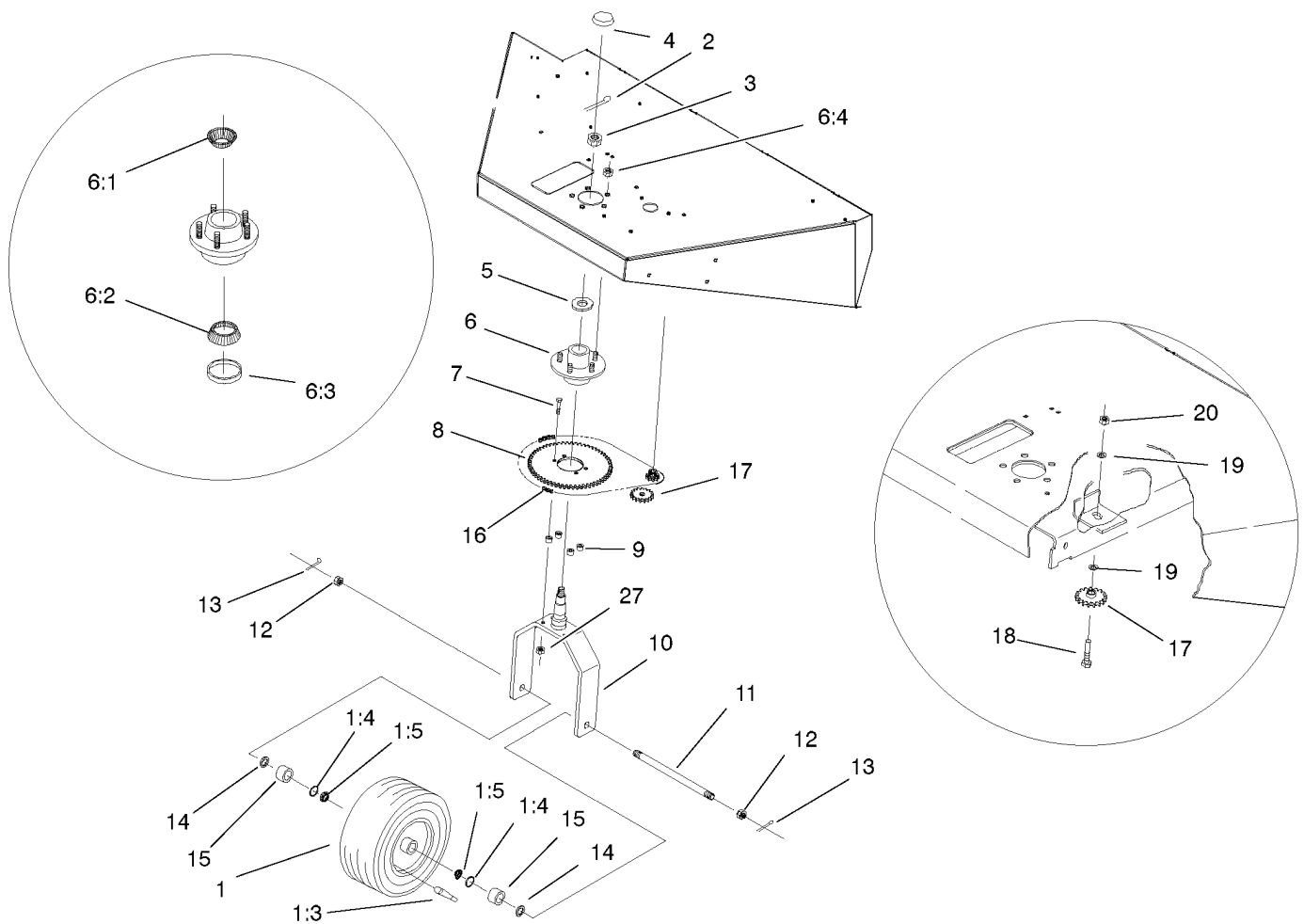
Reel Lift Assembly

<i>Ref.</i>	<i>Part Number</i>	<i>Qty.</i>	<i>Description</i>	<i>Ref.</i>	<i>Part Number</i>	<i>Qty.</i>	<i>Description</i>
1	98-8864	1	Gate-Reel	18	95-4702	1	Handle-Lift, Reel
2	233-48	1	Knob	19	01-250-0040	2	Ball Joint ASM
3	323-6	9	Screw-HH	20	3219-5	4	Nut-Hex
4	3296-39	12	Nut-Lock, NI	21	3253-5	2	Washer-Lock
5	95-0272	4	Bushing	22	01-261-0330	1	Spring
6	92-2344	2	Trunnion	23	01-650-1100	1	Rod-Threaded
7	3256-4	2	Washer-Flat	24	3220-3	2	Nut-HJ
8	95-4782	2	Bushing	25	95-4893	1	Ring-Retaining, EXT
9	95-4888-03	1	Bracket-Lift, Reel	26	322-5	3	Screw-HH
10	323-8	4	Screw-HH	27	3296-29	3	Nut-Lock, NI
11	3256-24	4	Washer-Flat	28	98-8866	1	Bracket-Switch
12	95-0179-03	1	Rod-Lift, Reel ASM	29	98-4132	1	Switch-Reed
13	98-8865-03	1	Plate-Switch	30	32105-29	2	Screw-SHWH
14	256-10	2	Bushing-Flange	31	3296-54	2	Nut-Lock
15	95-4891	1	Pivot-Lift, Reel	32	3253-21	3	Washer-Lock
16	325-5	1	Screw-HH	33	32148-9	3	Insert-Nut
17	3296-45	1	Nut-Lock, NI	34	3256-26	3	Washer-Flat



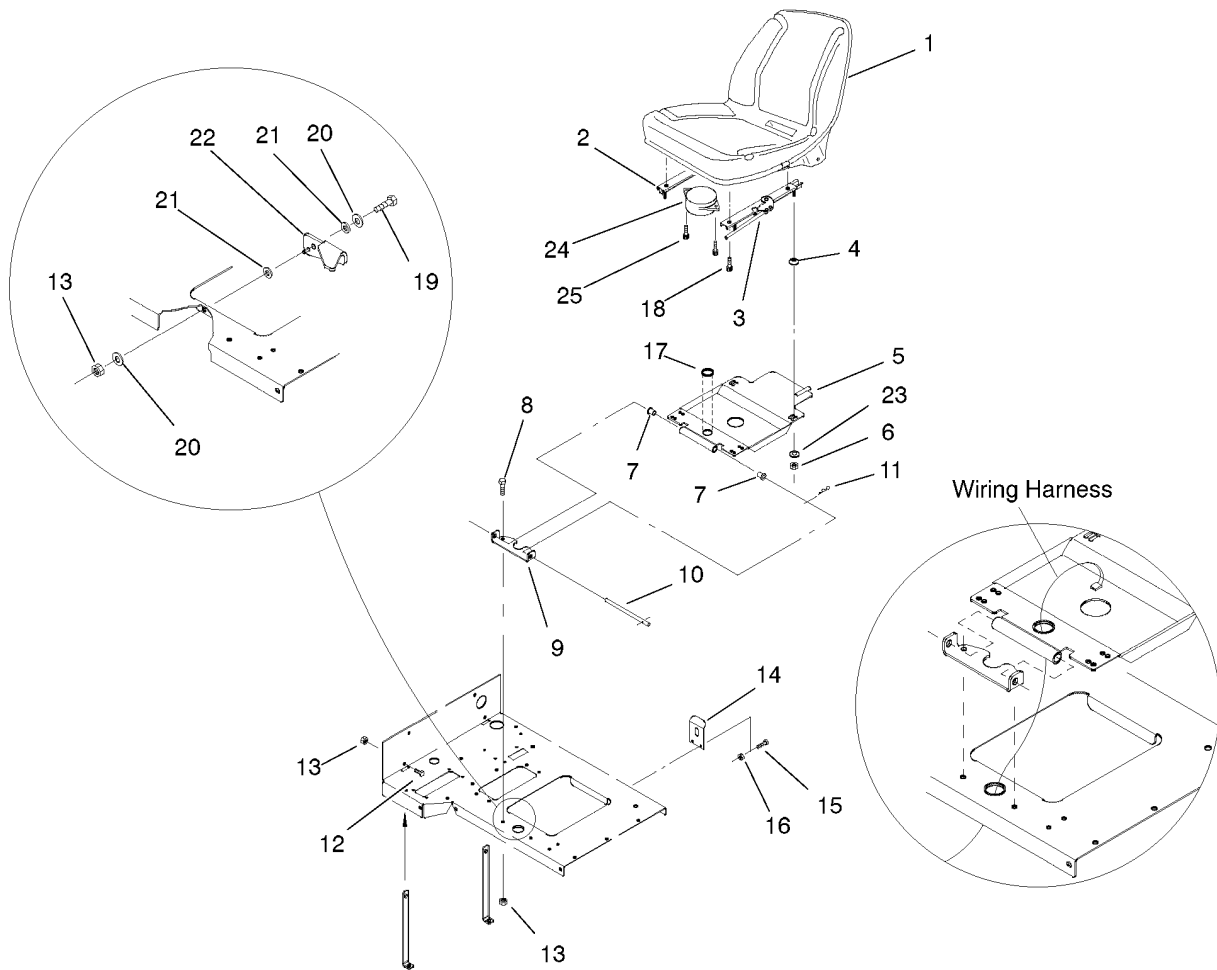
Neutral Return System Assembly

<i>Ref.</i>	<i>Part Number</i>	<i>Qty.</i>	<i>Description</i>
1	95-0347-03	1	Plate-Neutral
2	49-2040	3	Screw-HWHTF
3	99-8194	1	Pin-Adjusting
4	3296-29	2	Nut-Lock, NI
5	85-8461-03	1	Arm-Switch
6	75-5470	1	Spacer-Bearing
7	251-259	2	Bearing-Ball
8	85-9120	1	Spacer-Pivot, Tilt
9	322-8	1	Screw-HH
10	76-8640	1	Stud-Traction
11	3-6498	2	Washer-Thrust
12	85-9030	1	Spring-Extension
13	323-10	1	Screw-HH
14	3296-4	1	Nut-Lock
15	32105-21	2	Screw-HH
16	3296-39	1	Nut-Lock, NI
17	85-8300-03	1	Pump Lever ASM
18	85-9150	1	Plate-Switch
19	29-6163	1	Switch-Micro
20	3296-9	2	Nut-Lock
21	85-8860	1	Decal-Bolt, Eccentric
22	256-113	2	Bushing-Flange
23	302-60	1	Fitting-Grease



Yoke Assembly

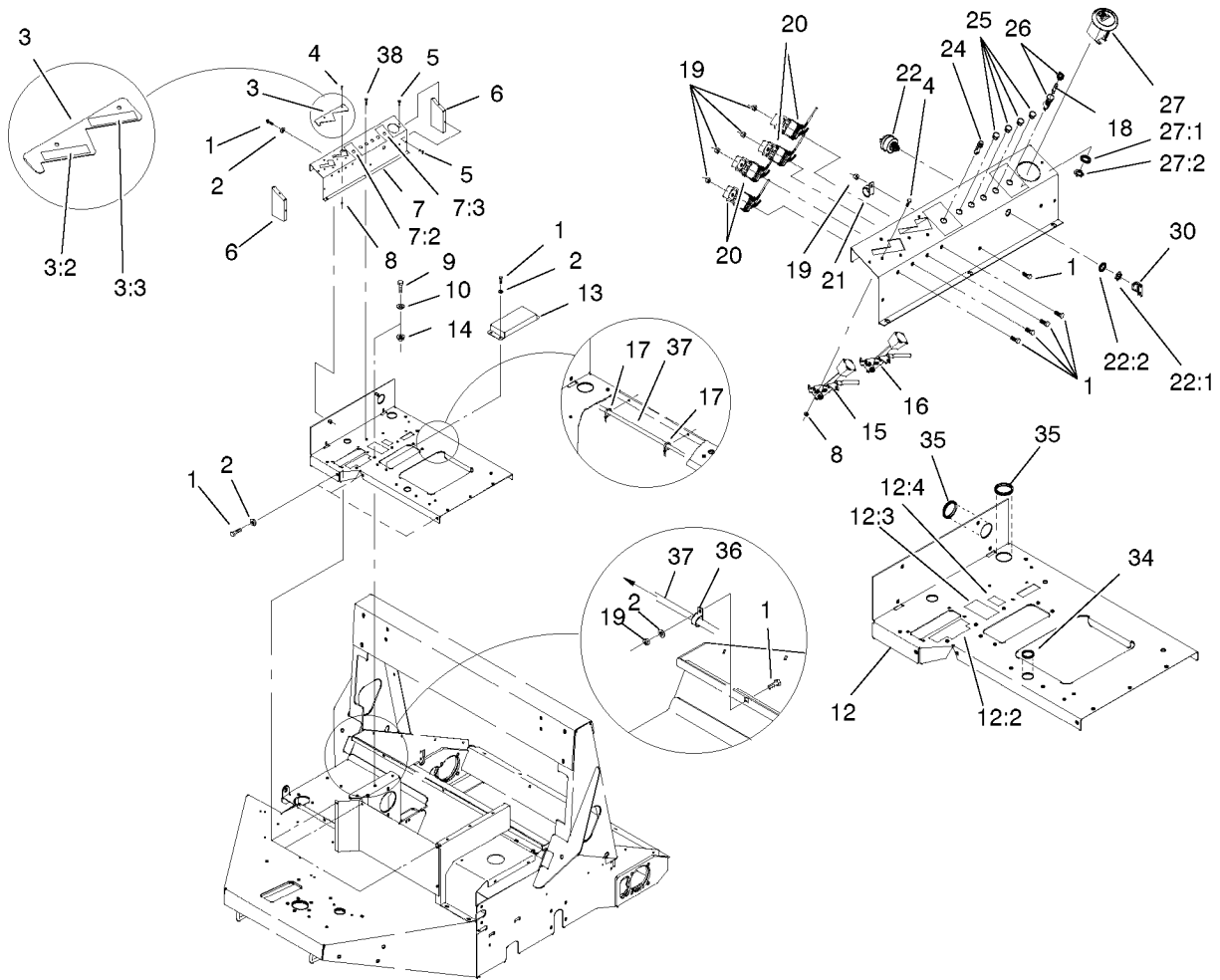
Ref.	Part Number	Qty.	Description	Ref.	Part Number	Qty.	Description
1	01-269-1820	1	Front Tire And Wheel ASM	8	95-4729	1	Sprocket-Steering
1:3	232-24	1	Stem-Valve	9	98-8895	4	Spacer
1:4	01-405-0460	2	Seal-Grease	10	95-0008-03	1	Wheel-Yoke
1:5	254-78	2	Bearing-Cone	11	95-0225	1	Axle-Front
2	3272-15	1	Pin-Cotter	12	01-190-1210	2	Nut-Slotted
3	01-190-1216	1	Nut-Slotted	13	3272-19	2	Pin-Cotter
4	241-119	1	Cap-Dust	14	01-168-1210	2	Bushing
5	3256-28	1	Washer-Flat	15	01-269-0060	2	Spacer-Axle
6	01-269-0140	1	Steering Hub ASM	16	95-4796	1	Chain-Steering
6:1	254-92	1	Cone-Bearing, Outer	17	01-262-0290	1	Sprocket
6:2	01-102-0050	1	Bearing	18	327-6	1	Screw-HH
6:3	01-405-0370	1	Seal-Oil	19	3256-27	2	Washer-Flat
6:4	242-50	5	Nut-Lug	20	3296-53	1	Nut-Lock, NI
7	323-10	4	Screw-HH	27	3296-39	4	Nut-Lock, NI



Seat Assembly

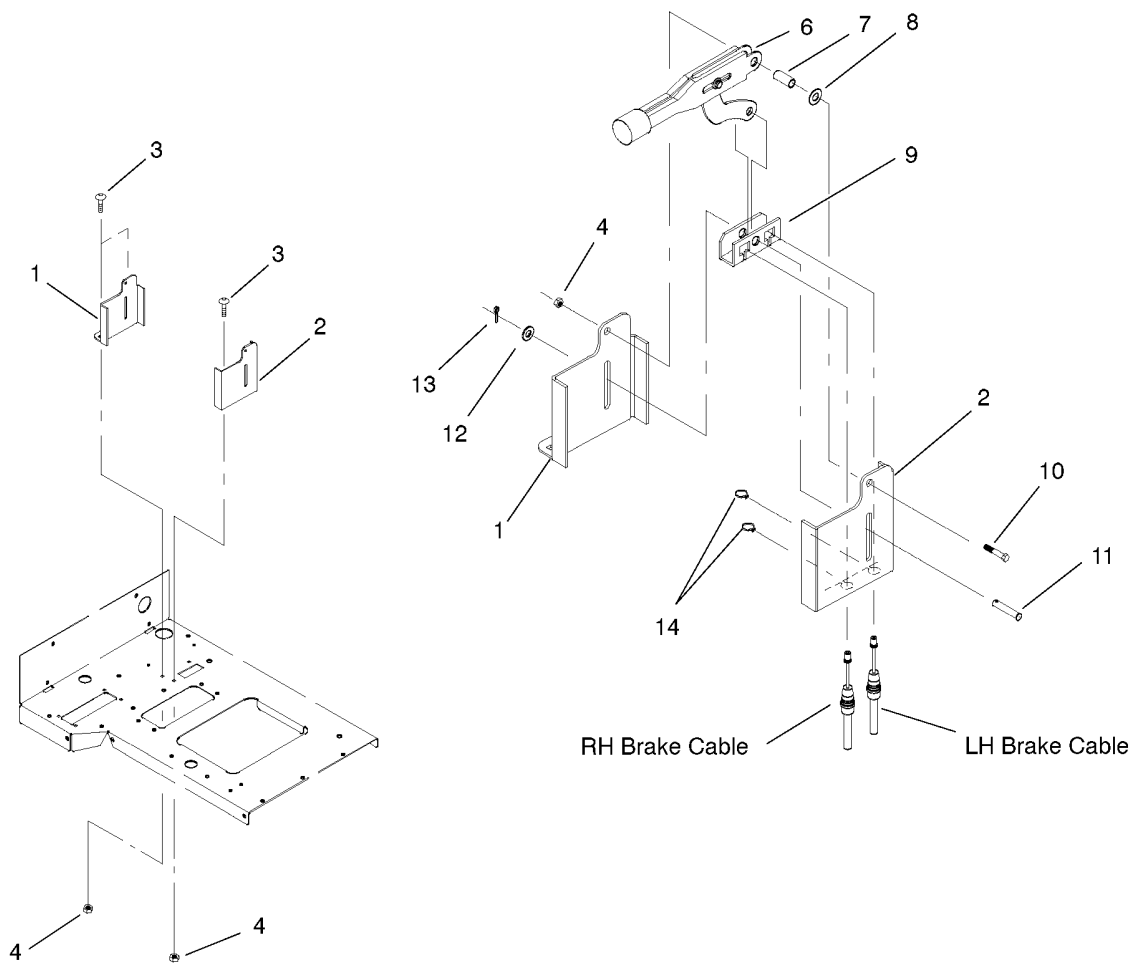
Ref.	Part Number	Qty.	Description
1	104-4620	1	Seat
2	95-4763	1	Adjuster-Seat
3	95-4764	1	Adjuster-Seat, W/Handle
4	66-9290	4	Spacer-Suspension
5	95-4909-03	1	Plate-Seat
6	3296-29	4	Nut-Lock, NI
7	256-155	2	Bushing-Flange
8	323-6	2	Screw-HH
9	95-0379-03	1	Bracket-Pivot, Seat
10	49-5880	1	Shaft-Support, Seat
11	3290-467	1	Pin-Hair
12	323-5	2	Screw-HH
13	3296-39	5	Nut-Lock, NI

Ref.	Part Number	Qty.	Description
14	66-2630	1	Latch-Seat
15	321-2	2	Screw-HH
16	3296-42	2	Nut-Lock, NI
17	240-5	1	Grommet-Rubber
18	3274-12	4	Screw-HSH
19	323-7	1	Screw-HH
20	3256-4	2	Washer-Flat
21	95-4896	2	Washer-Nylon
22	95-4894	1	Prop-Seat
23	3256-23	4	Washer-Flat
24	92-6282	1	Switch-Seat
25	32144-10	2	Screw-HWH



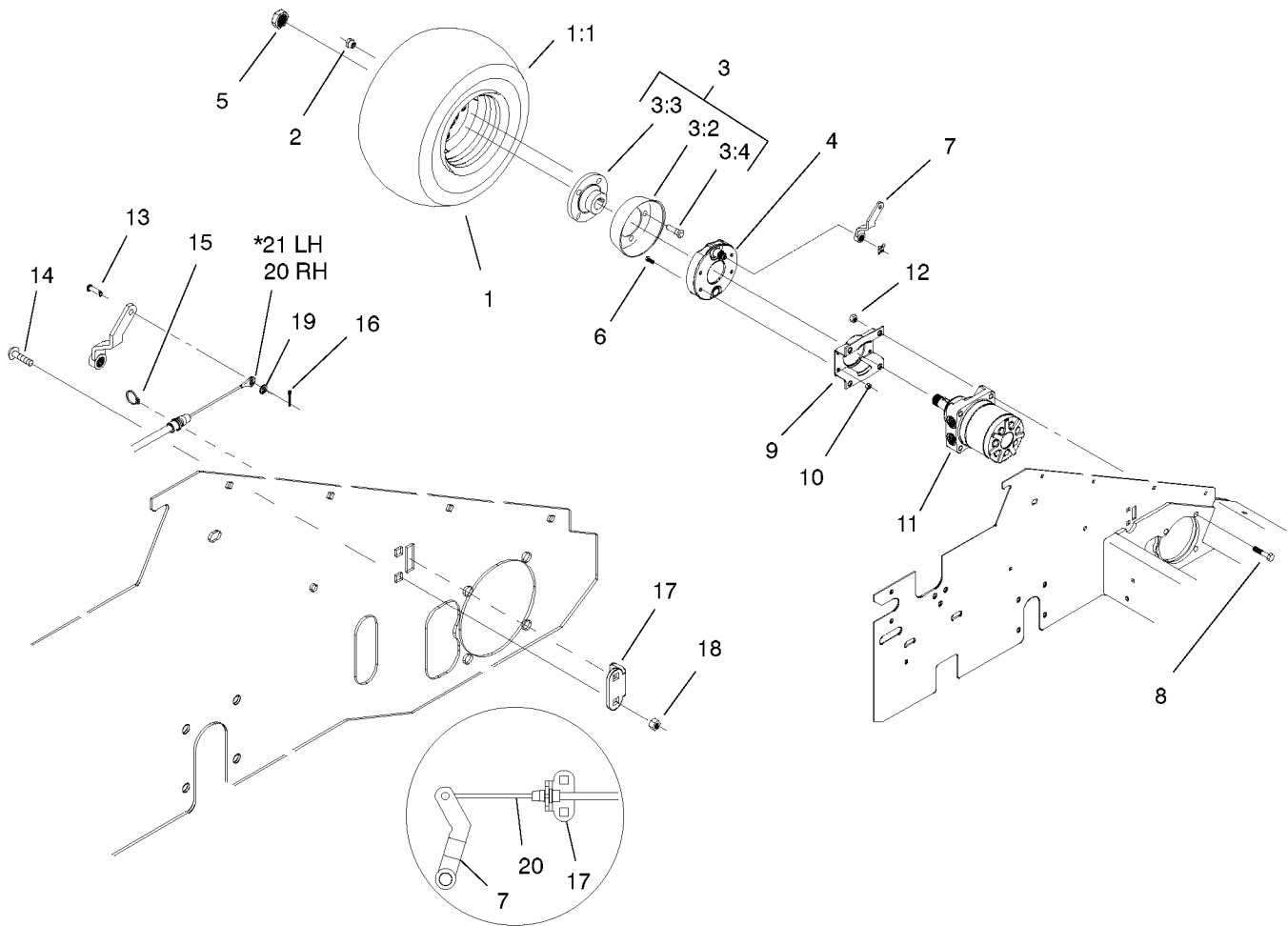
Control Panel Assembly

<i>Ref.</i>	<i>Part Number</i>	<i>Qty.</i>	<i>Description</i>	<i>Ref.</i>	<i>Part Number</i>	<i>Qty.</i>	<i>Description</i>
1	321-4	15	Screw-HH	16	95-0286	1	Cable-Control
2	3256-22	7	Washer-Flat	17	3290-410	2	Tie-Mount, Push
3	100-4010	1	Cover Plate ASM	18	98-8876	1	Fuse-10 Amp
3:2	95-0370	1	Decal-Throttle	19	3296-42	6	Nut-Lock, NI
3:3	95-0371	1	Decal-Choke	20	70-1480	4	Relay
4	3290-134	6	Screw	21	2412-73	1	Clamp-R
5	3269-4	4	Rivet-Pop	22	27-2360	1	Switch
6	95-0186-03	2	Cap-Control Panel, Front	22:1	218-446	1	Nut-Hex
7	100-4009	1	Control Panel ASM	22:2	218-447	1	Washer-Lock
7:2	95-0383	1	Decal-Light, Oil	24	87-8580	1	Light-Indicator
7:3	95-0384	1	Decal-Fuse	25	95-4765	4	Plug-Hole
8	3296-2	6	Nut-Lock, NI	26	218-489	1	Holder-Fuse
9	323-6	3	Screw-HH	27	66-2950	1	Gauge-Hourmeter
10	3256-24	3	Washer-Flat	27:1	3255-20	2	Washer-Lock
12	100-4008	1	Access Cover ASM	27:2	3217-25	2	Nut-Hex
12:2	95-0390	1	Decal-Operation, Reel	30	63-8360	1	Key-Ignition
12:3	87-6020	1	Decal-Brake, Parking	34	240-5	1	Grommet-Rubber
12:4	95-0389	1	Decal-Operation, Starting	35	240-7	2	Grommet-Rubber
13	95-0329-03	1	Cover-Top	36	2412-39	1	R-Clamp
14	32128-43	4	Nut-Flange	37	98-8874	1	Harness-Wire
15	95-4816	1	Control-Throttle	38	87-6620	3	Screw



Parking Brake Assembly

<i>Ref.</i>	<i>Part Number</i>	<i>Qty.</i>	<i>Description</i>
1	95-0010-03	1	Mount-Brake, RH
2	95-0009-03	1	Mount-Brake, LH
3	3229-1	3	Screw-CARR
4	3296-42	4	Nut-Lock, NI
6	87-2710	1	Lever-Brake
7	87-4710	1	Spacer-Brake, Parking
8	3290-477	1	Washer-Curved
9	87-3480	1	Bracket-Equalizer, Cable
10	321-10	1	Screw-HH
11	283-18	1	Clevis
12	3256-23	1	Washer-Flat
13	3272-9	1	Pin-Cotter
14	32120-47	2	Ring-Retaining, External



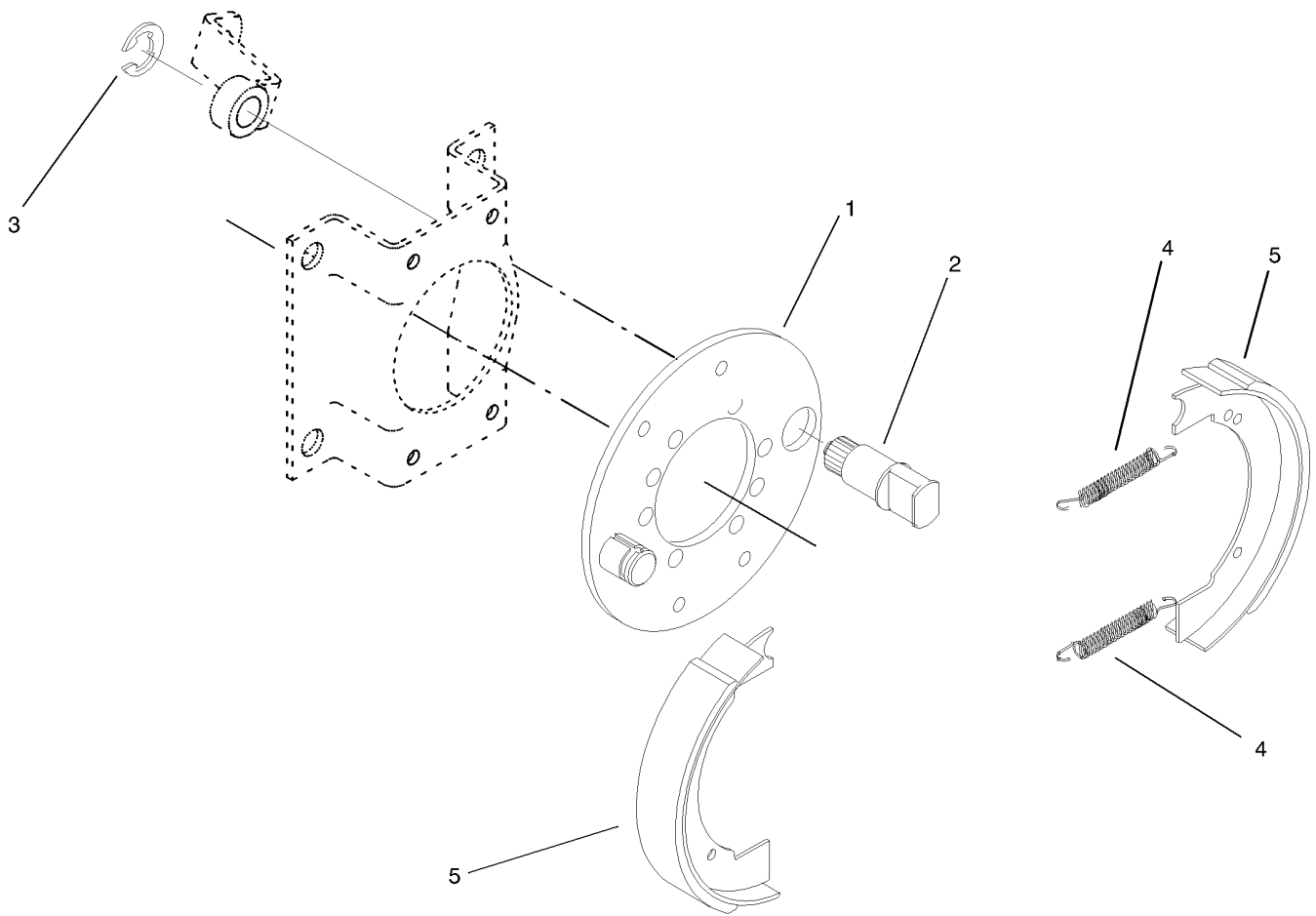
Wheel and Brake Assembly

Ref.	Part Number	Qty.	Description
1		2	Tire Assembly ■
1:1	95-0177	1	Tire (18X9.5-8) 4-Ply
2	242-50	8	Nut-Lug
3	10-6821	2	Brake Drum ASM
3:2	10-6850	1	Drum-Brake
3:3	10-6870-03	1	Hub-Wheel
3:4	85-6540	4	Stud-Drive
4	104-7705	2	Brake ASM
5	26-3790	2	Nut-Lock
6	321-5	8	Screw-HH
7	80-7400-03	2	Lever-Brake
8	3274-100	8	Screw-HSH
9	84-2000-03	2	Bracket-Brake

Ref.	Part Number	Qty.	Description
10	3296-42	8	Nut-Lock, NI
11	92-9199	2	Motor-Wheel, HYD
12	3296-23	8	Nut-Lock, NI
13	283-62	2	Pin-Clevis
14	3231-12	4	Screw-CARR
15	32120-47	2	Ring-Retaining, External
16	3272-10	2	Pin-Cotter
17	92-4698-01	2	Mount-Cable, Brake
18	3296-39	4	Nut-Lock, NI
19	3256-23	2	Washer-Flat
20	95-0025	1	Cable-Brake, RH
21	95-0287	1	Cable-Brake, LH ●

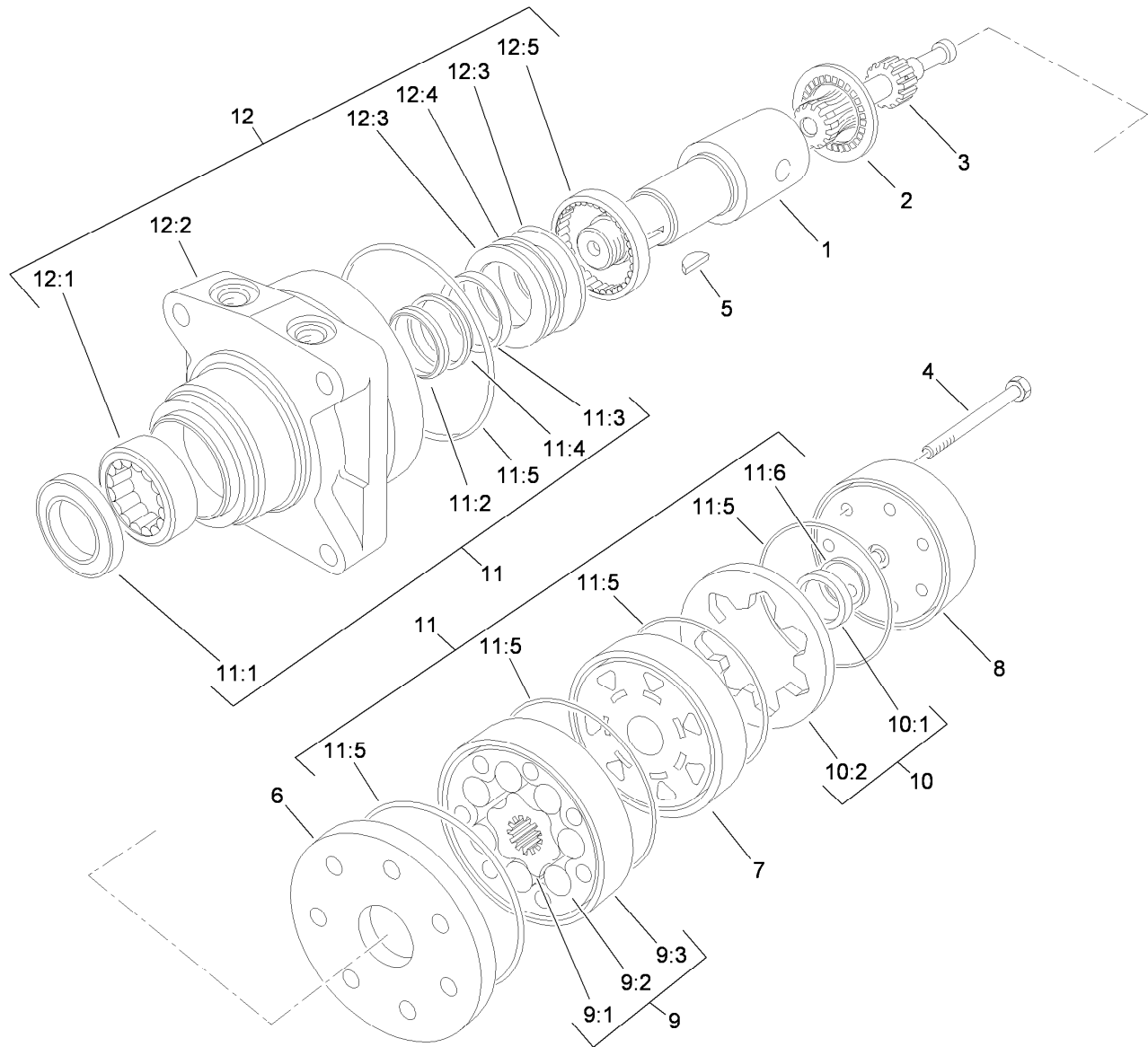
● Not illustrated

■ Not serviced separately



Brake Assembly No. 104-7705

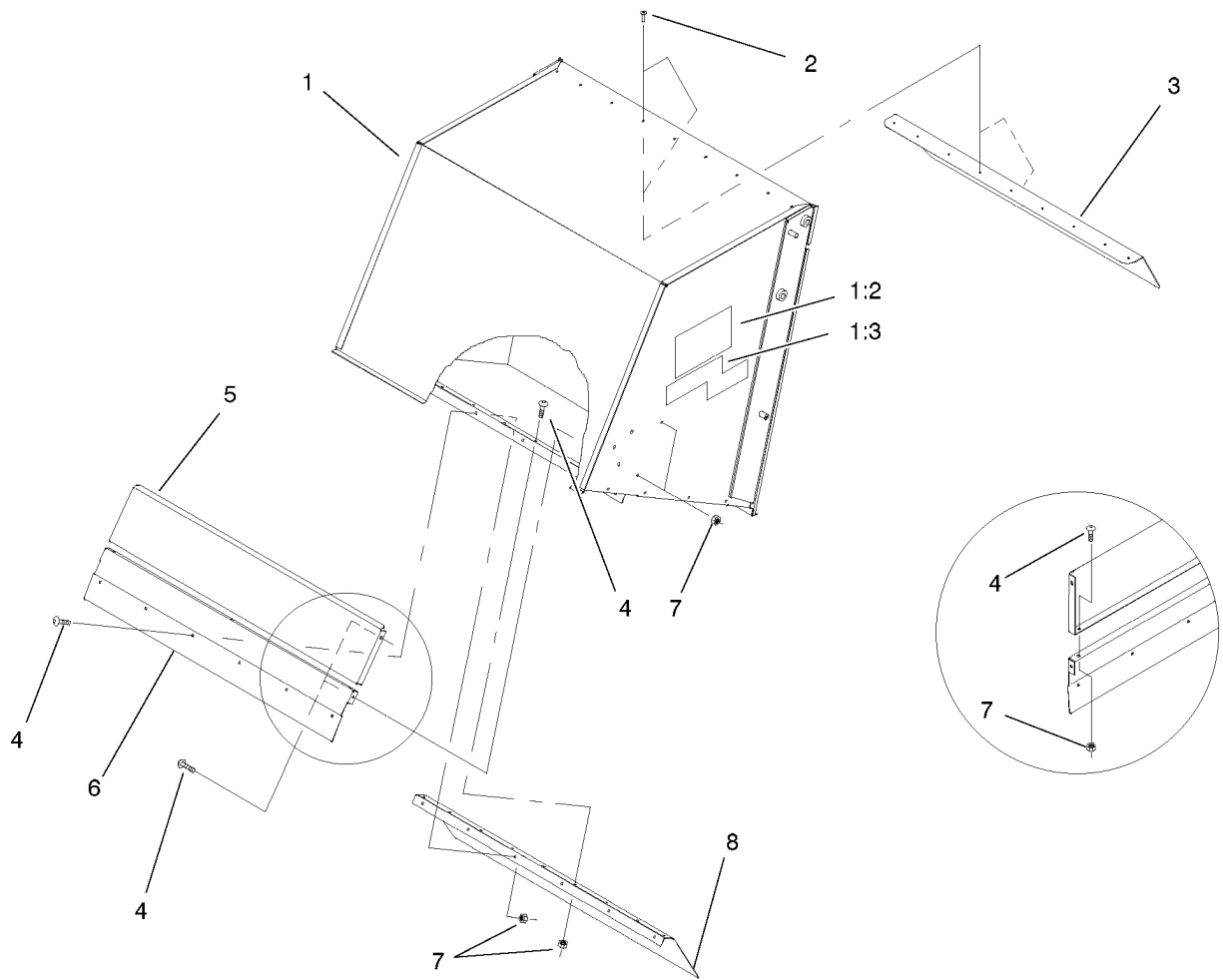
<i>Ref.</i>	<i>Part Number</i>	<i>Qty.</i>	<i>Description</i>
1	70-9870	1	Plate-Backing
2	104-7707	1	Shaft-Cam, Brake
3	104-7706	1	E-Ring, Bowed
4	70-9880	2	Spring-Return
5	70-9840	2	Shoe-Brake



Hydraulic Motor Assembly No. 92-9199

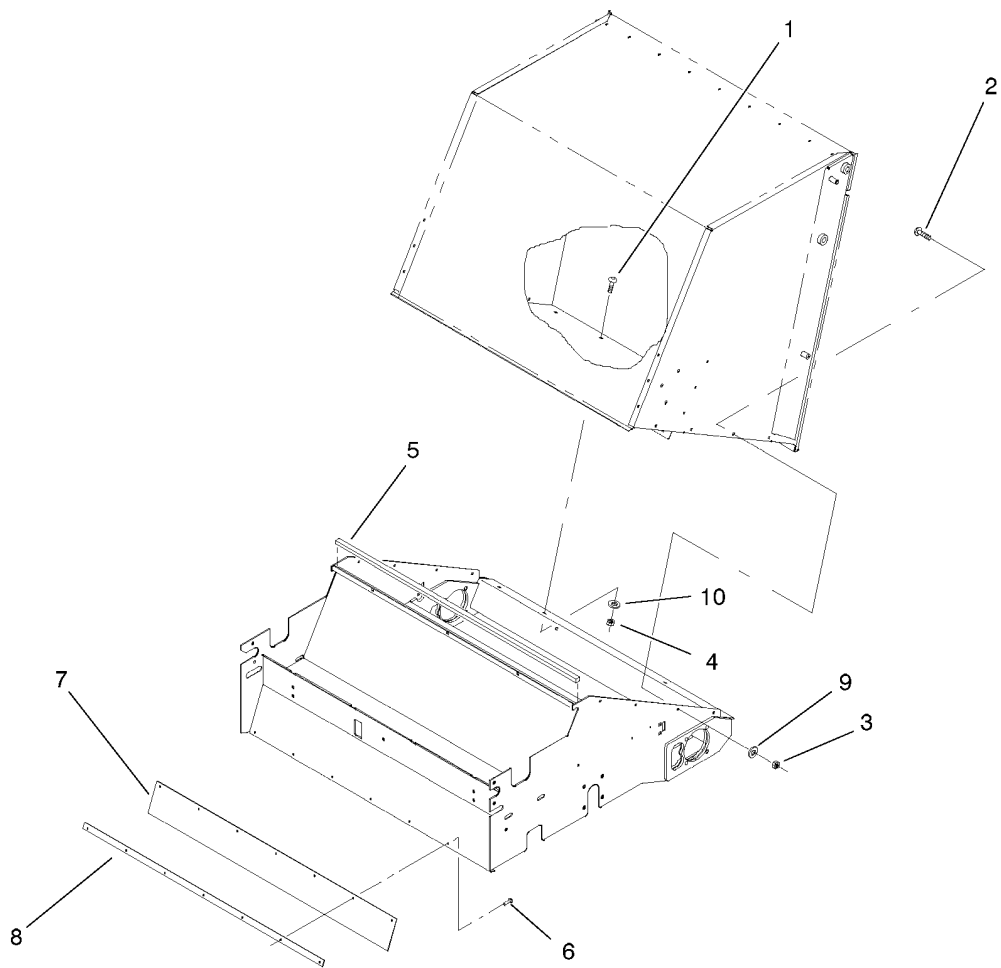
Ref.	Part Number	Qty.	Description	Ref.	Part Number	Qty.	Description
1	76-0860	1	Shaft-Coupling	10:2		1	Ring-Commutator ●
2	76-0850	1	Bearing-Thrust	11	94-8178	1	Seal Kit
3	92-9761	1	Link-Drive	11:1		1	Seal-Dirt And Water ●
4	92-9762	7	Screw-HH	11:2		1	Backup-Ring ●
5	3257-42	1	Key-Woodruff	11:3		1	Seal-Shaft ●
6	76-0870	1	Plate-Wear	11:4		1	Washer-Backup ●
7	76-0840	1	Manifold	11:5		5	Seal-Square, Ring (Inner) ●
8	76-0940	1	End Cover ASM	11:6		1	Seal-Commutator ●
9	92-9763	1	Rotor Set	12	76-0810	1	Housing ASM
9:1		1	Rotor ●	12:1		1	Bearing ●
9:2		1	Vane ●	12:2		1	Housing ●
9:3		1	Stator ●	12:3		2	Washer-Thrust ●
10	76-0880	1	Commutator ASM	12:4		1	Bearing-Thrust ●
10:1		1	Commutator ●	12:5		1	Bearing ●

● Not serviced separately



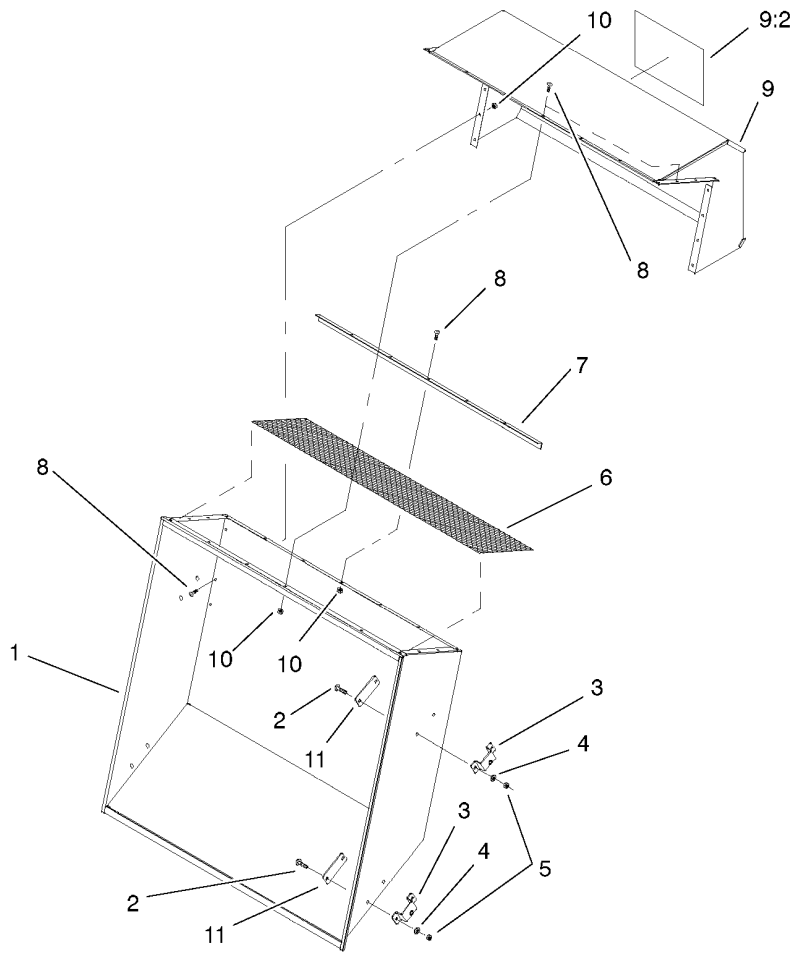
Hopper Assembly

<i>Ref.</i>	<i>Part Number</i>	<i>Qty.</i>	<i>Description</i>
1	100-4014	1	Hopper ASM
1:2	66-6140	2	Decal
1:3	01-506-0650	2	Decal
2	3269-22	14	Rivet-Pop
3	95-0240-01	1	Deflector-Top, Hopper
4	3229-11	22	Screw-CARR
5	95-4814-01	1	Baffle-Inlet, Upper
6	95-4815-01	1	Baffle-Inlet, Lower
7	3296-42	22	Nut-Lock, NI
8	95-0234-01	1	Deflector-Bottom, Hopper



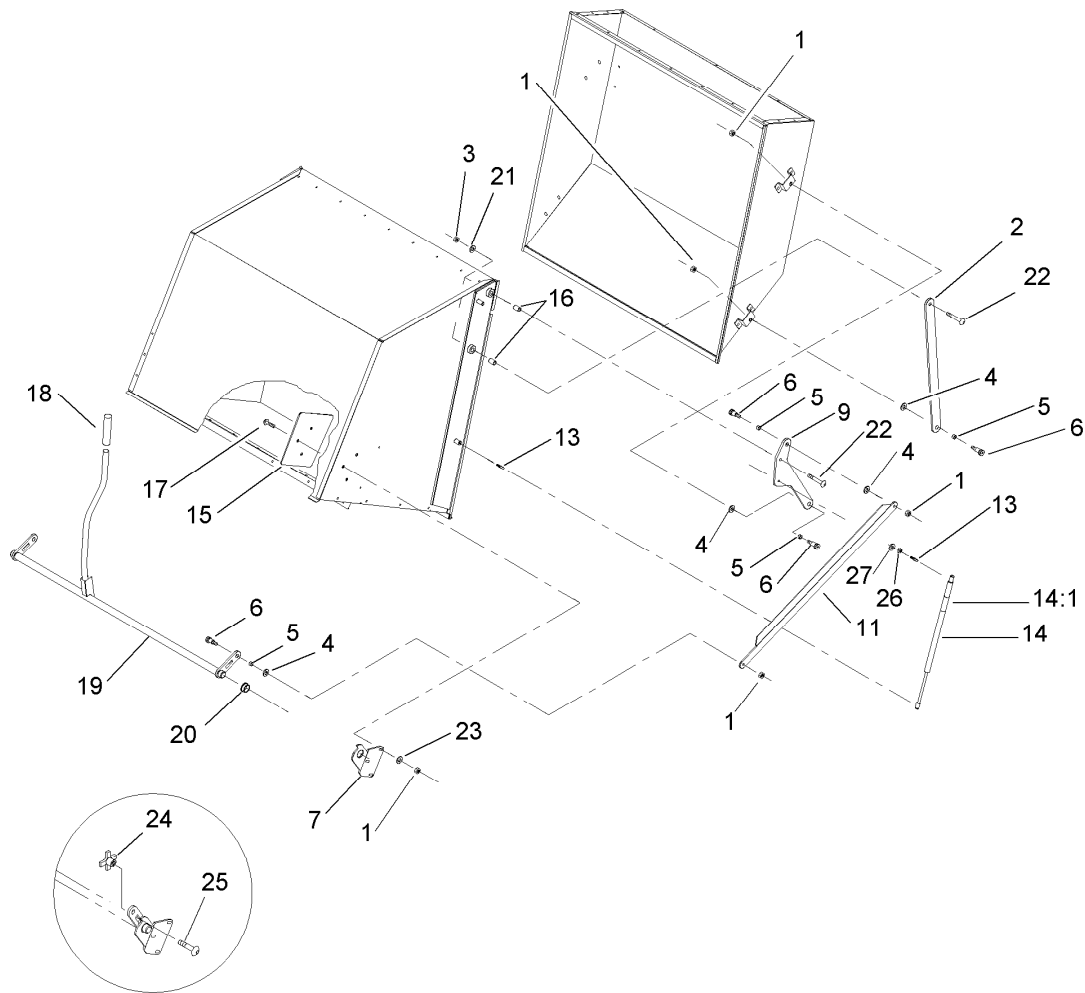
Hopper Mounting Assembly

<i>Ref.</i>	<i>Part Number</i>	<i>Qty.</i>	<i>Description</i>
1	3231-2	2	Screw-CARR
2	3229-1	8	Screw-CARR
3	3296-42	8	Nut-Lock, NI
4	3296-39	2	Nut-Lock, NI
5	95-4788	1	Sponge-Neoprene
6	01-161-0090	7	Rivet-Pop
7	95-4802	1	Skirt-Rubber
8	95-4803-01	1	Bar-Reinforcement
9	3256-2	8	Washer-Flat
10	3256-24	2	Washer-Flat



Door Assembly

<i>Ref.</i>	<i>Part Number</i>	<i>Qty.</i>	<i>Description</i>
1	95-0249-01	1	Door-Hopper
2	3231-2	8	Screw-CARR
3	95-0247-01	4	Hinge-Door
4	3256-24	8	Washer-Flat
5	3296-39	8	Nut-Lock, NI
6	95-0231-01	1	Hood-Screen
7	95-0253-01	1	Screen-Clamp
8	3229-1	26	Screw-CARR
9	100-4013	1	Hood ASM
9:2	67-7920	1	Decal
10	3296-42	26	Nut-Lock, NI
11	95-4829-01	4	Plate-Reinforcement

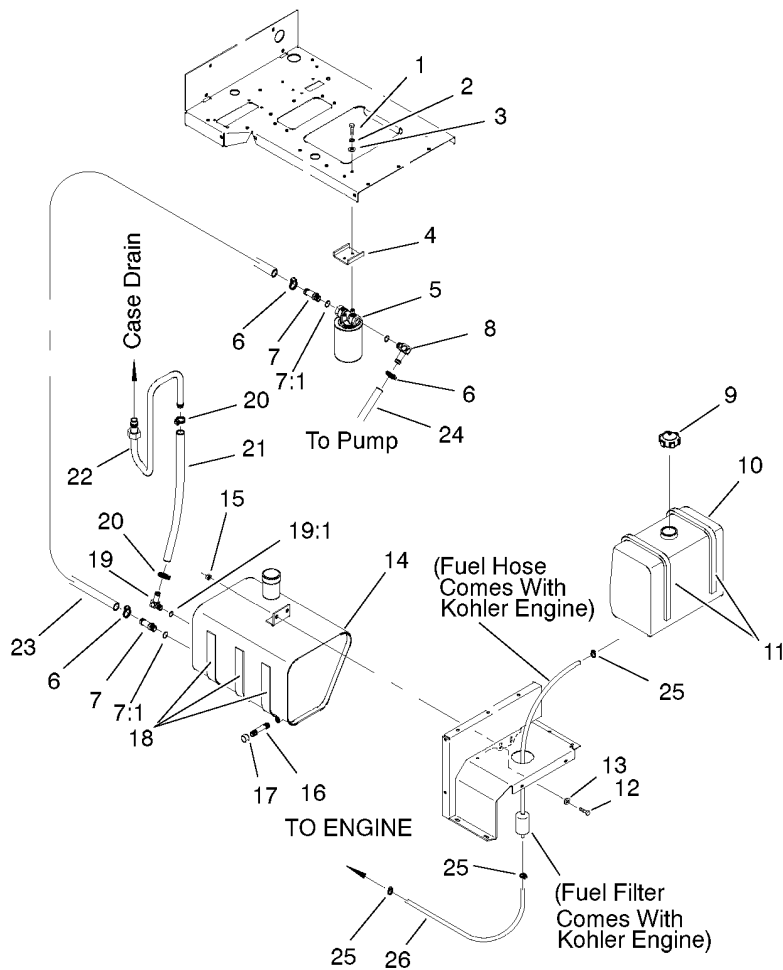


Door Lift Assembly

Ref.	Part Number	Qty.	Description
1	3296-59	14	Nut-Lock, NI
2	95-0313-03	2	Link-Door, Lower
3	3296-53	4	Nut-Lock, NI
4	3256-26	8	Washer-Flat
5	47-2890	8	Bushing
6	95-4857	8	Screw-Shoulder, Socket Head
7	95-4767-03	1	Bracket-Door, Lift (RH)
8	95-0352-03	1	Bracket-Door, Lift (LH) ●
9	95-0316-03	2	Link-Door, Upper
11	95-0315-03	1	Link-Lift, LH
12	95-0393-03	1	Link-Lift, RH ●
13	98-3104	4	Stud-Ball
14	95-4902	2	Gas Spring ASM

Ref.	Part Number	Qty.	Description
14:1	85-7490	1	Decal-Warning
15	95-4781	2	Plate-Support, Hopper
16	17-1620	4	Bushing-Wheel
17	3231-28	6	Screw-CARR
18	01-259-0010	1	Handle-Grip
19	95-0322-03	1	Lift-Door
20	01-126-0110	2	Bushing
21	3256-27	4	Washer-Flat
22	3233-32	4	Bolt-Carriage
23	3256-24	6	Washer-Flat
24	95-4769	1	Knob-Clamping
25	3233-26	1	Screw-CARR, Short Neck
26	3253-4	2	Washer-Lock
27	3256-23	2	Washer-Flat

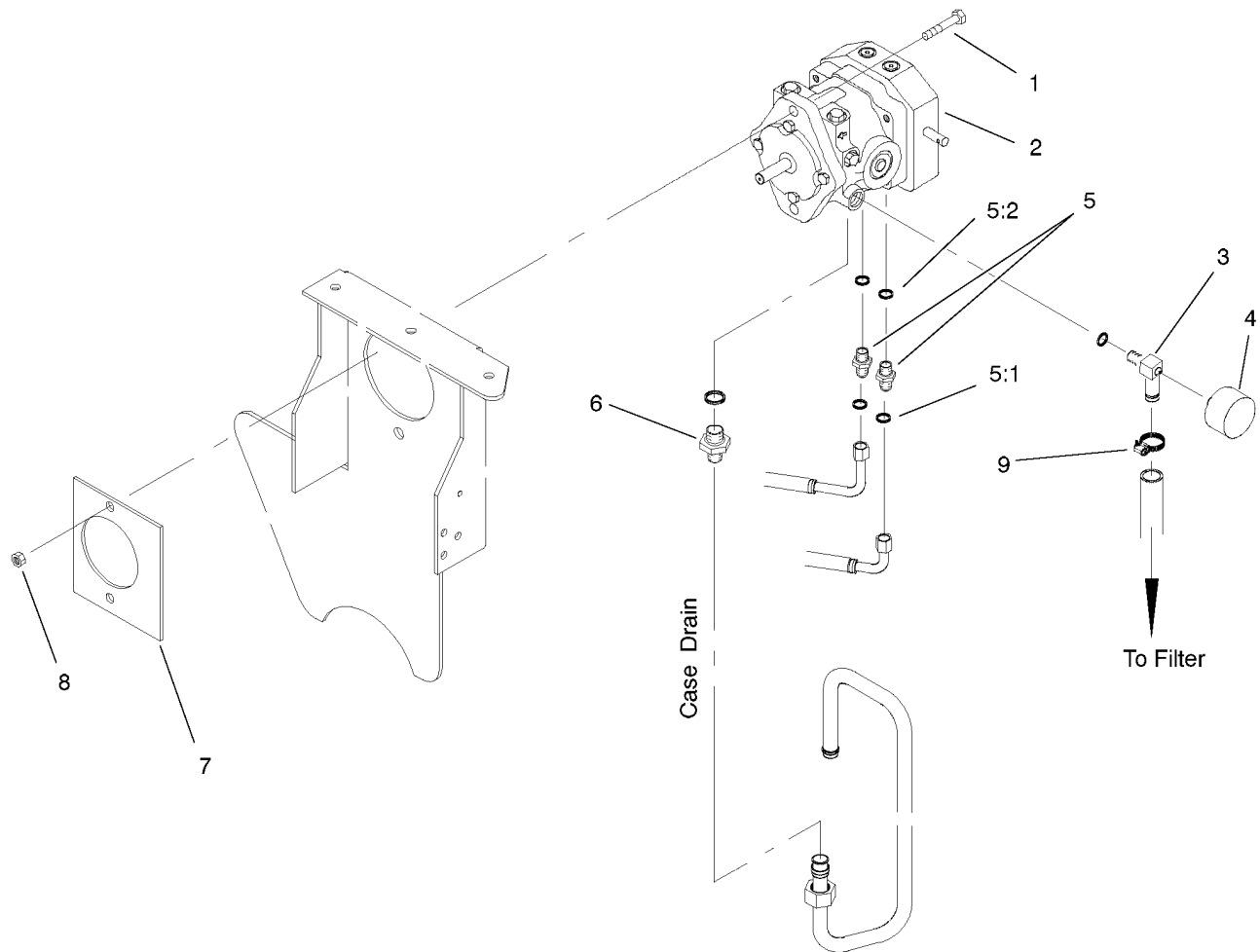
● Not illustrated



Hydraulic Reservoir And Fuel Tank Assembly

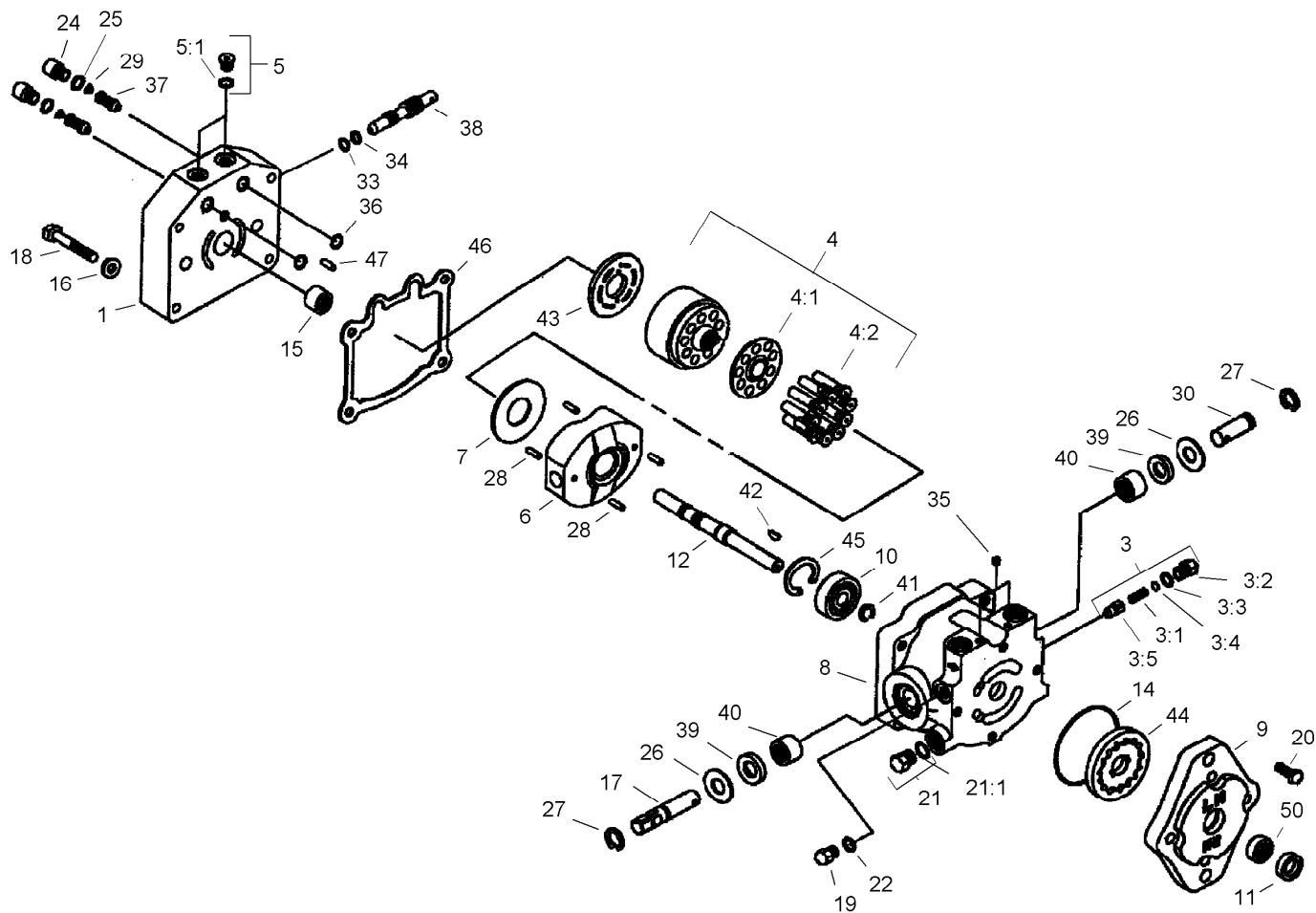
Ref.	Part Number	Qty.	Description
1	321-9	2	Screw-HH
2	3253-3	2	Washer-Lock
3	3256-22	2	Washer-Flat
4	95-0267-03	1	Mount-Filter, Oil
5	95-4818	1	Oil Filter ASM
6	2412-34	3	Clamp-Hose
7	354-73	2	Fitting-Straight
7:1	237-81	1	O-Ring
8	01-201-1080	1	Fitting-HYD
9	95-4766	1	Fuel Cap ASM
10	62-4040	1	Tank-Fuel
11	95-4789	2	Sponge-Neoprene
12	323-6	2	Screw-HH
13	3256-24	2	Washer-Flat

Ref.	Part Number	Qty.	Description
14	95-0013	1	Tank-Hydraulic
15	3296-39	2	Nut-Lock, NI
16	289-51	1	Nipple
17	288-10	1	Cap-Pipe
18	18-204-1781	3	Strap-Tank, Gas
19	95-4779	1	Fitting-Hydraulic
19:1	237-80	1	O-Ring
20	2412-129	2	Clamp-Hose
21	95-4777	1	Hose-Hydraulic
22	95-4774	1	Tube-Drain, Case
23	95-4776	1	Hose-Hydraulic
24	95-4775	1	Hose-Hydraulic
25	2412-108	3	Clamp-Worm
26	95-4801	1	Hose-Fuel



Pump Assembly

<i>Ref.</i>	<i>Part Number</i>	<i>Qty.</i>	<i>Description</i>
1	3274-5	2	Screw-HSH
2	95-0156	1	Pump-Variable
3	95-4778	1	Fitting-HYD, Barb
4	95-0334	1	Gauge-Vacuum
5	340-4	2	Fitting-HYD, Straight
5:1	237-30	1	O-Ring
5:2	237-79	1	O-Ring
6	01-201-4680	1	Fitting-Hyd
7	92-4679-01	1	Plate-Reinforcement, Hydrostat
8	3296-23	2	Nut-Lock, NI
9	2412-34	1	Clamp-Hose

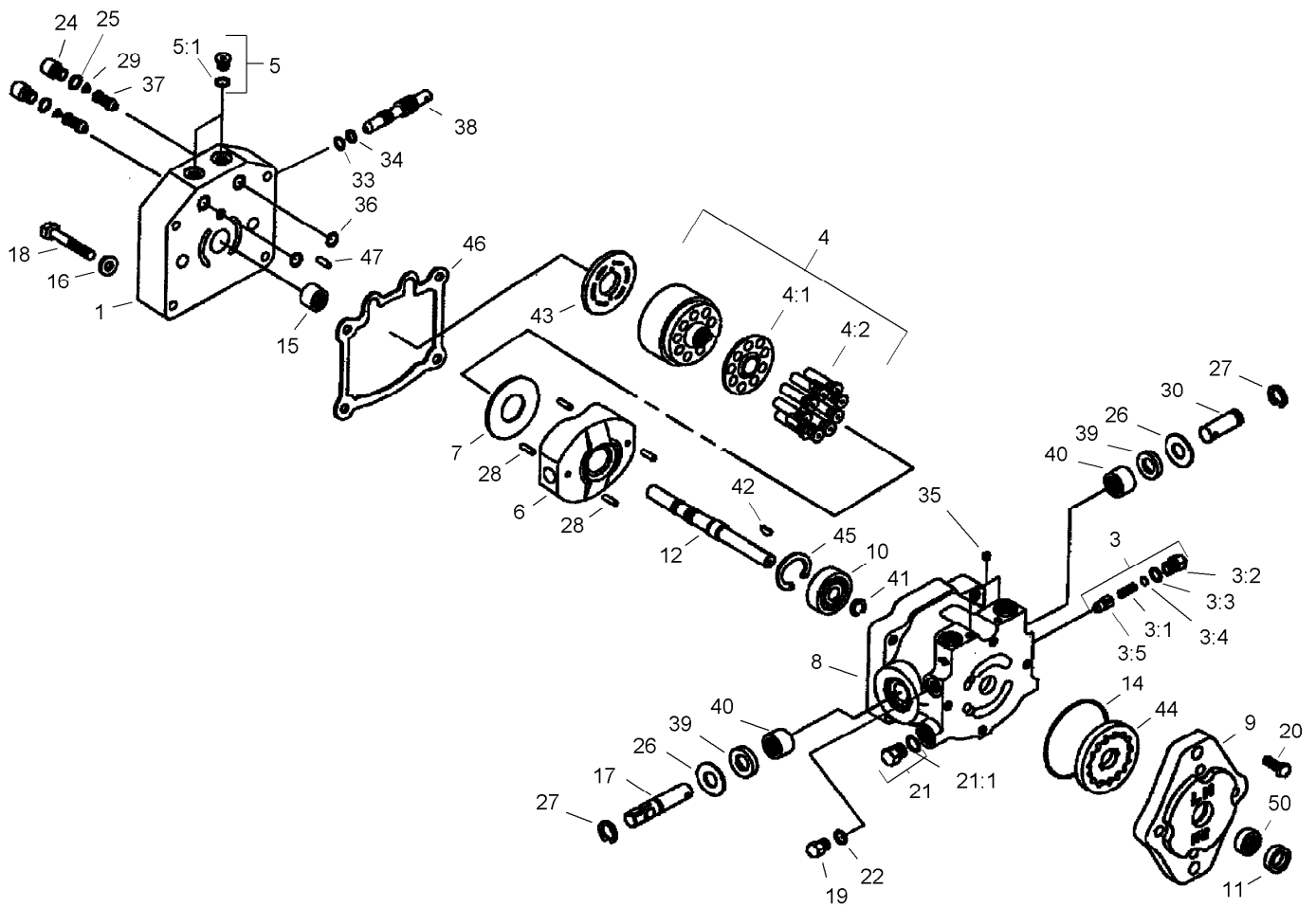


Hydraulic Pump Assembly No. 95-0156

Ref.	Part Number	Qty.	Description	Ref.	Part Number	Qty.	Description
1	95-4897	3	Cap-End	21	88-8210	1	Plug
3	49-8510	1	Valve Kit	21:1	237-80	1	O-Ring
3:1	25-2480	1	Spring-Valve	22	28-3400	2	O-Ring
3:2	25-2460	1	Plug-HH	24	95-4900	2	Plug
3:3	237-86	1	O-Ring	25	75-0240	2	O-Ring
3:4	25-2470	1	Pack-Shim	26	25-2510	2	Washer-Flat
3:5	83-7260	1	Cone-Relief, Charge	27	32151-79	2	Ring-Retaining
4	48-1800	1	Cylinder Block Kit	28	83-3880	4	Pin-Spring
4:1		1	Retainer-Slipper ■	29	75-0140	2	Spring-Conical
4:2		9	Piston ASM ■	30	25-2500	1	Shaft-Trunnion
5	75-0170	2	Plug-Thread, Straight	33	69-3840	1	O-Ring
5:1	92-8777	1	O-Ring	34	25-2630	1	Ring-Back Up
6	25-2450	1	Plate-Swash, Variable	35	75-0160	2	Plug-Pipe
7	25-2380	1	Plate-Thrust	36	95-4903	2	O-Ring
8	95-4898	1	Variable Housing ASM	37	95-4901	2	Valve
9	25-2690	1	Housing-Pump, Charge	38	88-8220	1	Valve-By Pass
10	95-5809	1	Bearing-Ball	39	25-3210	2	Seal-Lip
11	93-4133	1	Seal-Lip	40	252-82	2	Bearing-Needle
12	95-4899	1	Shaft	41	94-3996	1	Ring-Retaining
14	95-4904	1	O-Ring	42	3257-32	1	Key-Woodruff
15	67-8080	1	Bearing-Needle	43	88-8160	1	Plate-Valve
16	93-0312	1	Washer-Hardened	44	95-5812	1	Gerotor ASM
17	88-8180	1	Shaft-Trunnion	45	32151-75	1	Ring-Retaining
18	323-12	4	Screw-HH	46	25-2400	1	Gasket
19	25-2460	2	Plug-HH	47	25-2430	1	Pin-Dowel
20	322-4	4	Screw-HH				

● Not illustrated

■ Not serviced separately

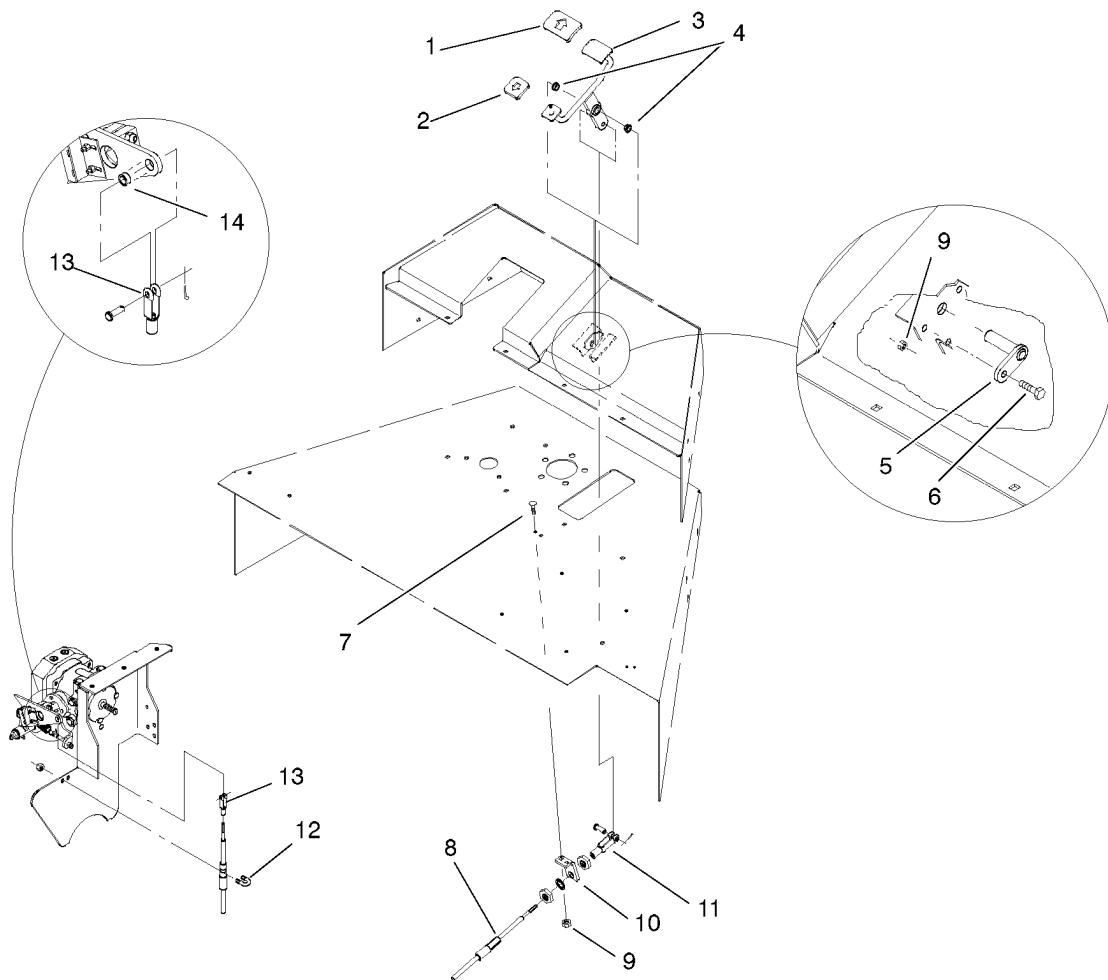


Hydraulic Pump Assembly No. 95-0156 (continued)

Ref.	Part Number	Qty.	Description
49	83-7260	1	Cone-Relief, Charge ●
50	67-8050	1	Bearing-Needle

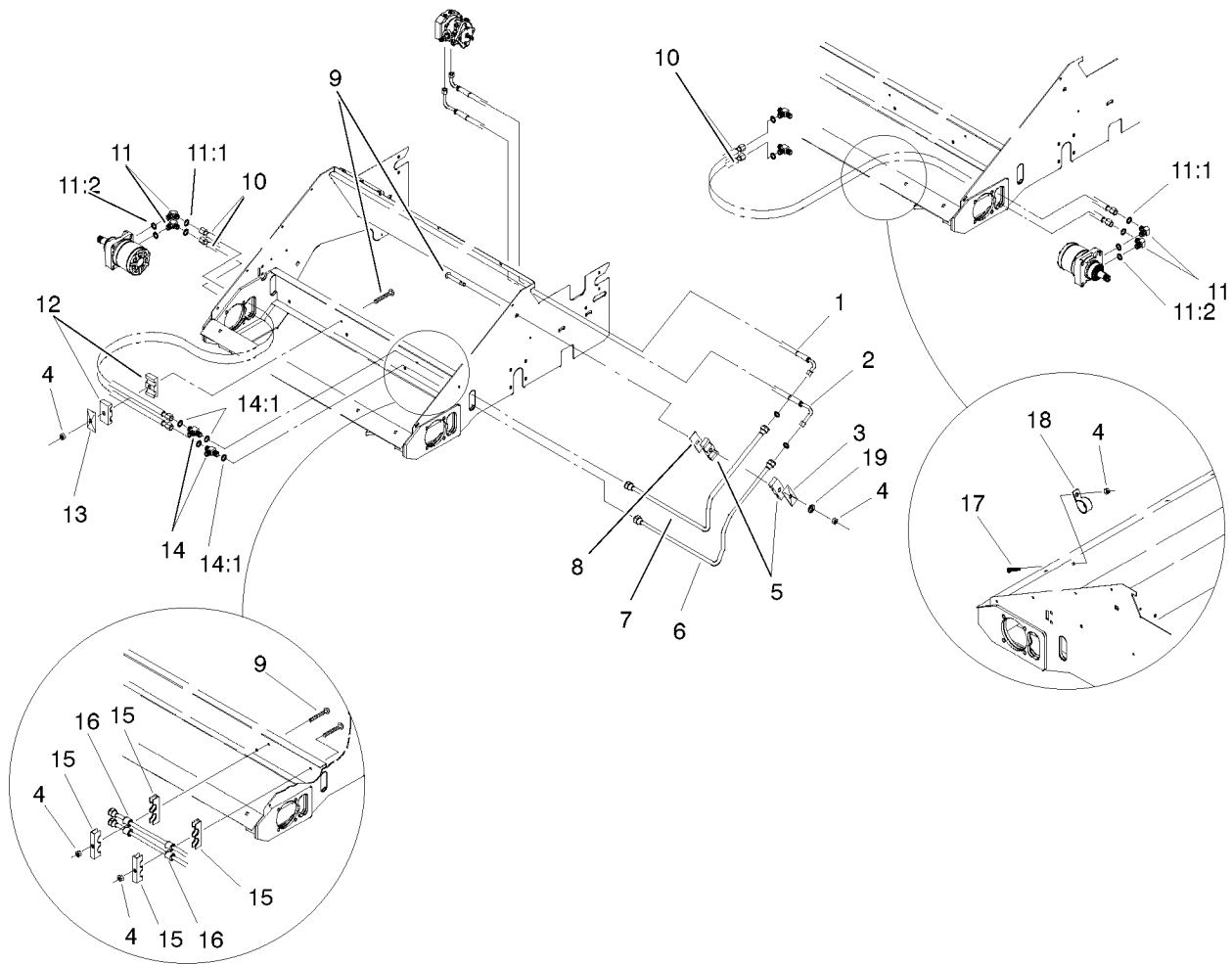
● Not illustrated

■ Not serviced separately



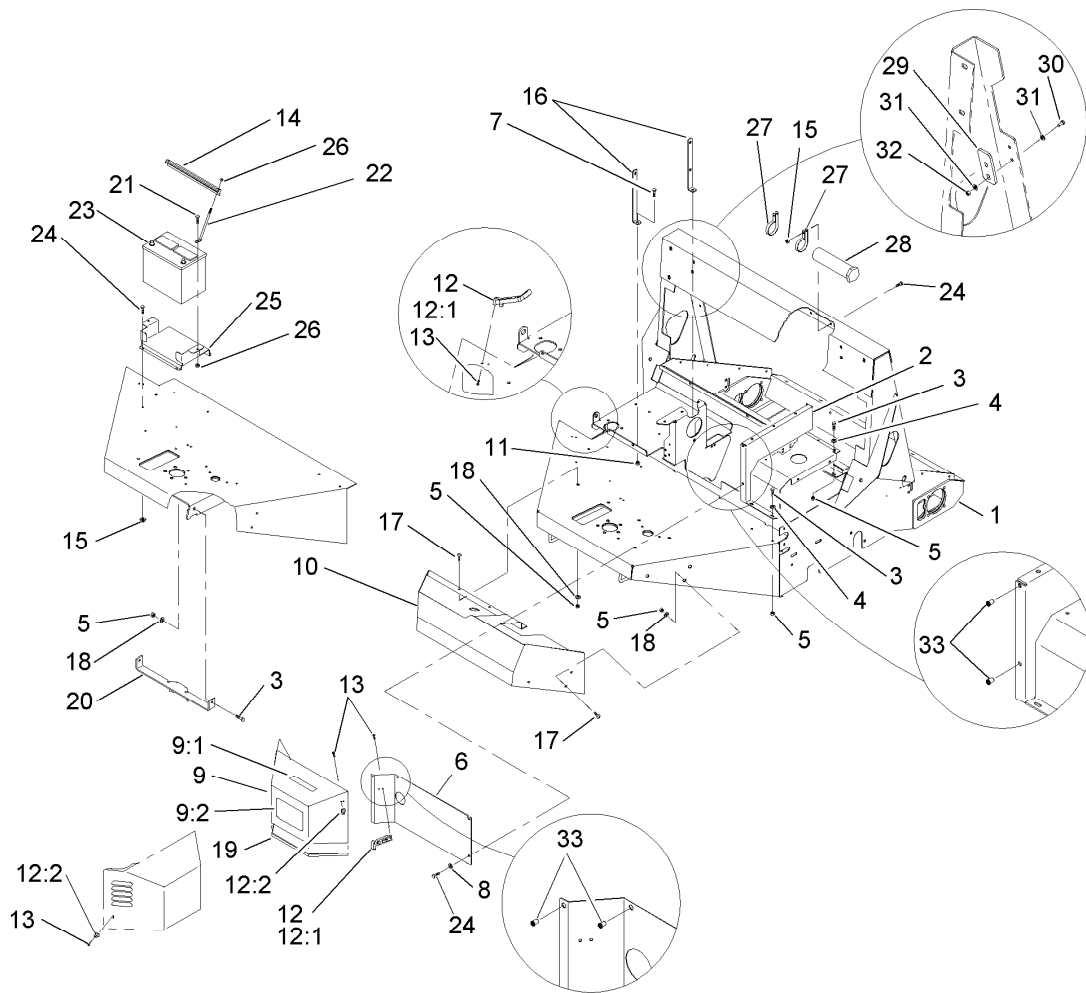
Traction Control Assembly

<i>Ref.</i>	<i>Part Number</i>	<i>Qty.</i>	<i>Description</i>
1	74-9100	1	Pad-Pedal, Forward
2	74-9110	1	Pad-Pedal, Reverse
3	95-4708-01	1	Pedal-Traction
4	256-156	2	Bushing-Flange
5	95-4808	1	Pin-Traction
6	321-4	1	Screw-HH
7	3229-2	2	Screw-CARR
8	92-4699	1	Cable-Traction
9	3296-42	3	Nut-Lock, NI
10	92-4676-01	1	Mount-Cable
11	95-4727	1	Clevis-Pedal, Traction
12	95-4731	1	U-Bolt
13	95-4728	1	Clevis
14	95-4721	1	Bushing-Straight



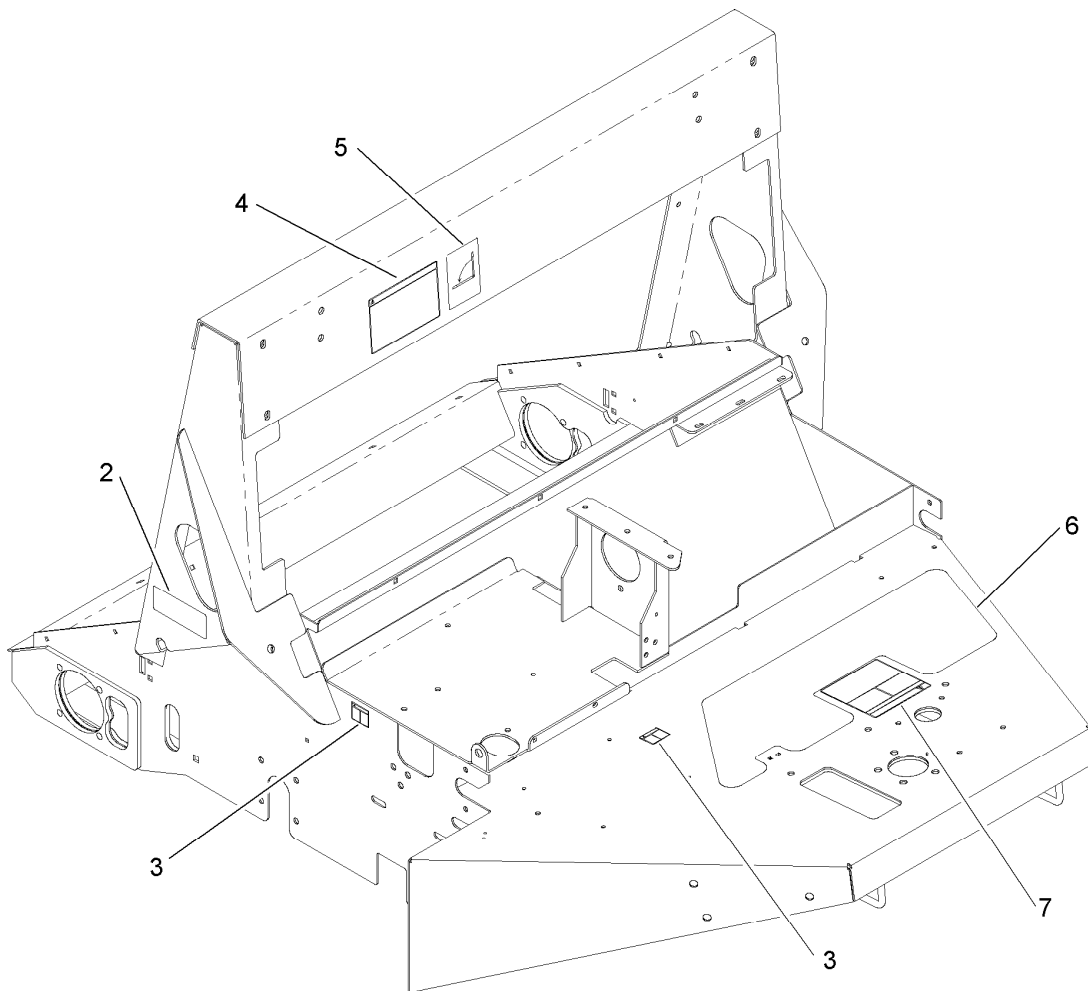
Hydraulic Tube and Hose Assembly

Ref.	Part Number	Qty.	Description
1	95-4755	1	Hose-Hydraulic (B)
2	95-4754	1	Hose-Hydraulic (A)
3	95-4795	1	Plate-Clamp
4	3296-29	5	Nut-Lock, NI
5	95-4794	1	Clamp-Twin
6	95-0264	1	Tube ASM
7	95-0263	1	Tube ASM
8	95-4793	1	Plate-Clamp
9	3230-32	4	Screw-CARR
10	95-4753	4	Hose-Hydraulic
11	340-17	4	Fitting-HYD, 90 DEG
11:1	237-65	1	O-Ring
11:2	237-80	1	O-Ring
12	95-4791	1	Clamp-Twin
13	95-4792	1	Plate-Clamp
14	340-19	2	Fitting
14:1	237-65	3	O-Ring
15	95-0277	2	Bracket-Tube
16	95-0276	4	Bushing-Rubber
17	3230-1	1	Bolt-CARR
18	92-4372	1	Retainer-Hose
19	3256-23	1	Washer-Flat



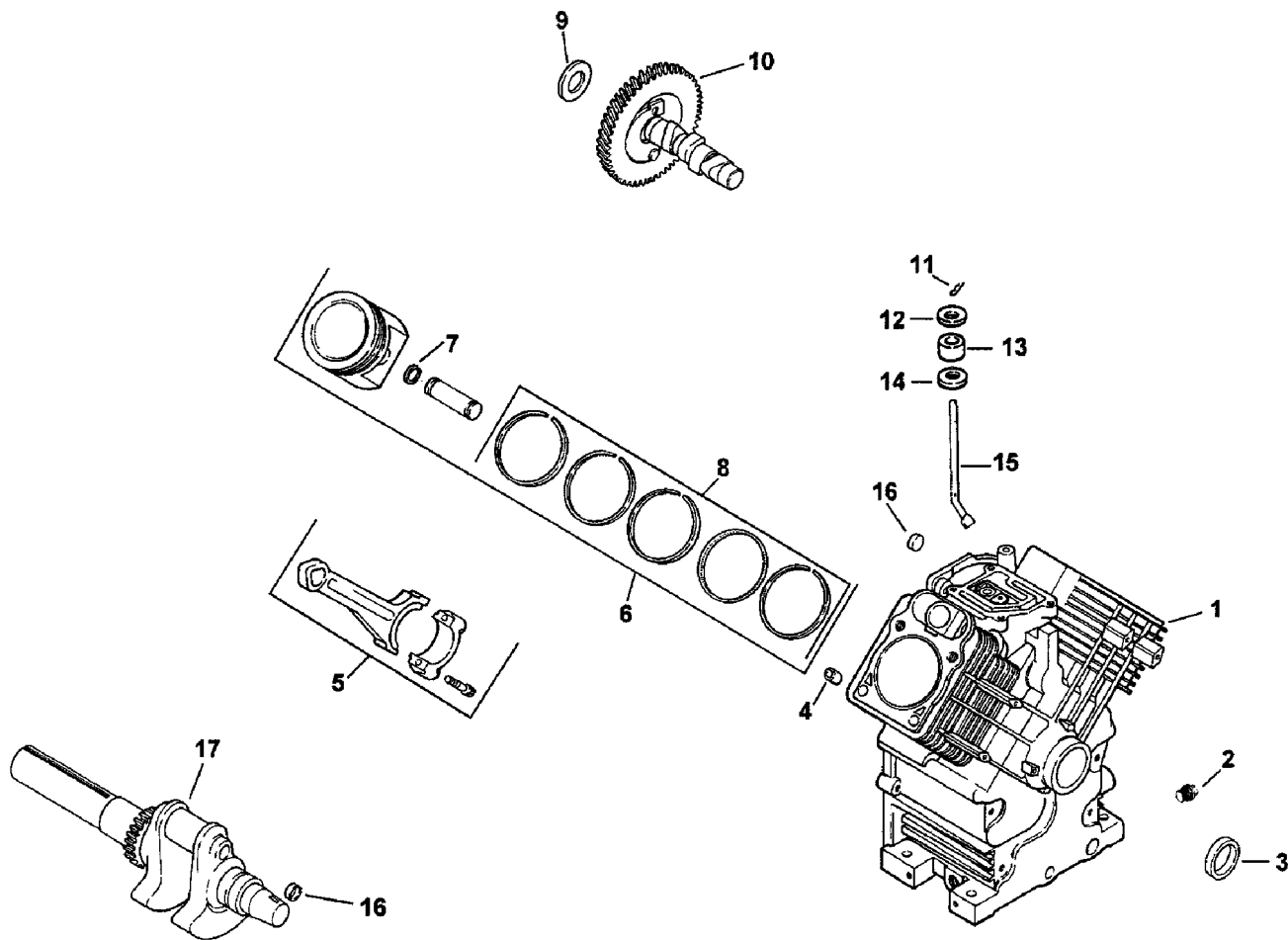
Main Frame Assembly

Ref.	Part Number	Qty.	Description	Ref.	Part Number	Qty.	Description
1	100-4012	1	Main Frame ASM	16	95-4709-03	2	Bar-Support, Access Cover
2	95-0395-03	1	Mount-Cover, Access	17	3230-2	10	Bolt-CARR
3	322-5	7	Screw-HH	18	3256-3	14	Washer-Flat
4	3256-23	5	Washer-Flat	19	95-4833	1	Edging-Rubber
5	32128-20	17	Nut-HF	20	95-4761-03	1	Stop-Steering
6	95-0165-03	1	Plate-Seat, Front	21	322-3	2	Screw-HH
7	323-6	2	Screw-HH	22	24-6390	2	Stud-Holddown, Battery
8	3256-22	3	Washer-Flat	23	55-7291	1	Battery (Wet)
9	95-4855	1	Hydrostat Guard ASM	24	321-4	8	Screw-HH
9:1	67-5360	1	Decal-Danger	25	95-0172-03	1	Mount-Battery
9:2	67-7320	1	Decal	26	3296-29	3	Nut-Lock, NI
10	95-4717-01	1	Riser-Board, Floor	27	2412-133	2	R-Clamp
11	32128-43	2	Nut-Flange	28	74-0720	1	Tube-Manual
12	94-5626	2	Latch-Draw, Flexible	29	95-4784-03	1	Plate-Stop, Linkage
12:1	100-5806	1	Handle-Latch	30	323-7	2	Screw-HH
12:2	100-5807	1	Keeper-Latch	31	3256-4	4	Washer-Flat
13	32105-8	5	Screw-SHH	32	3296-39	2	Nut-Lock, NI
14	24-6420-03	1	Holddown-Battery	33	32148-6	4	Insert-Nut
15	32128-33	6	Nut-HF				



Main Frame Decal Assembly No. 100-4012

<i>Ref.</i>	<i>Part Number</i>	<i>Qty.</i>	<i>Description</i>
2	82-4600	2	Decal-Hydro
3	88-8950	2	Decal-Warning
4	95-0387	1	Decal-Instruction, Operating
5	95-0388	1	Decal-Operating, Hopper
6	95-0398	1	Tread-Floorboard
7	01-506-0090	1	Decal-Sweeping On Slope

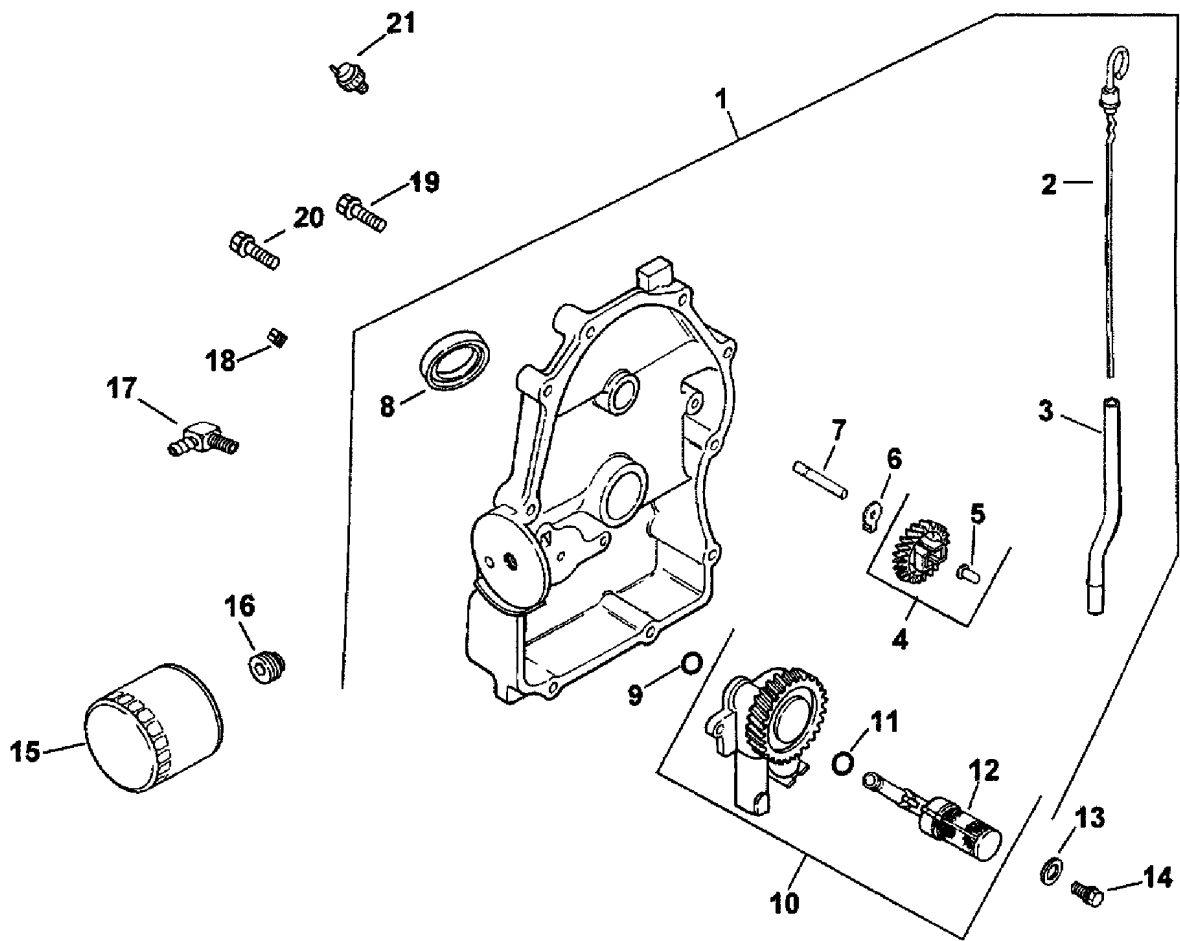


Crankshaft And Crankcase Assembly Kohler Ch18S PS-62595

Ref.	Part Number	Qty.	Description	Ref.	Part Number	Qty.	Description
1		1	Block-Cylinder (Use Mini-Block) ■●	12 422 07-S	0	Shim-Camshaft (White .028) ■	
2	25 139 57-S	2	Plug-Pipe, Sq HD (3/8) ■	12 422 08-S	0	Shim-Camshaft (Blue .03) ■	
3	24 380-13-S	1	Seal-Oil Front ■	9	12 422 10-S	0	Shim-Camshaft (Yellow .034) ■
4	12 380 17-S	6	Pin, Dowel Locating ■	12 422 11-S	0	Shim-Camshaft (Green .036) ■	
5	24 067 13-S	2	Rod-Connecting (Standard) ■	12 422 12-S	0	Shim-Camshaft (Gray .038) ■	
	24 067 14-S	2	Rod-Connecting (.25) ■	10	24 012 10-S	1	Camshaft Kit ■
6	24 874 17-S	2	Piston W/Ring Set (Std.)(Incl. #7 & 8) ■	11	24 018 09-S	1	Retainer-Ring ■
	24 874 18-S	2	Piston ASM (.25) ■	12	M-931010-S	1	Washer-Flat (9Mm) ■
	24 874 19-S	2	Piston ASM (.50) ■	13	28 032 09-S	1	Seal-Cross Shaft, Governor ■
7	24 018 01-S	4	Retainer-Pin, Piston ■	14	24 468 15-S	1	Washer-Flat (11/32) ■
8	24 108 11-S	2	Ring Set (STD And .08) ■	15	24 144 33-S	1	Shaft-Cross, Governor ■
	24 108 12-S	2	Ring Set (.25) ■	16	52 139 09-S	2	Plug-Cup ■
	24 874 13-S	2	Ring Set (.50) ■	17	24 014 84-S	1	Crankshaft (Incl #16) ■
9	12 422 09-S	0	Shim-Camshaft (Red .032) ■		24 755 107-S	1	Gasket Set ■
	12 422 13-S	0	Shim-Camshaft (Black .04) ■		24 782 15-S	1	Miniblock ■

● Not serviced separately

■ Obtain parts locally from a Kohler dealer

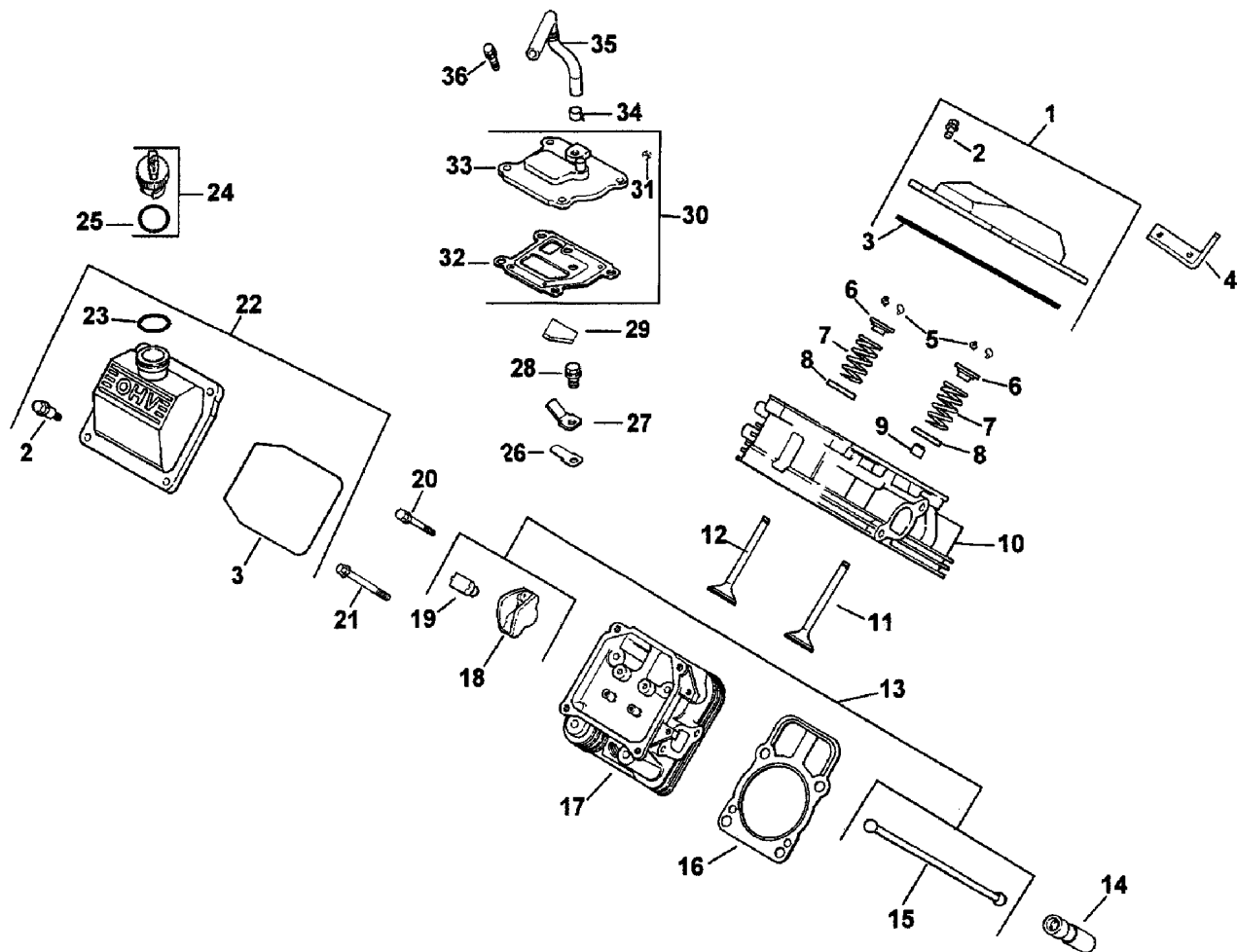


Oil Pan And Lubrication Assembly Kohler Ch18S PS-62595

Ref.	Part Number	Qty.	Description
1	24 009 82-S	1	Closure Plate ASM (Incl #2-12) ■
2	24 038 10-S	1	Dipstick ■
3	24 755 121-S	1	Dipstick And Dipstick Tube ASM ■
4	24 043 12-S	1	Kit-Governor Gear (Incl #5) ■
5	12 380 01-S	1	Pin-Regulating, Governor ■
6	52 448 02-S	1	Tab-Locking ■
7	12 144 02-S	1	Shaft-Gear, Governor ■
8	52 032 08-S	1	Seal-Oil (PTO End) ■
9	24 153 08-S	1	O-Ring ■
10	24 393 10-S	1	Oil Pump ASM (Incl #11-12) ■
11	24 153 01-S	1	O-Ring ■
12	24 381 04-S	1	Tube-Pick Up, Oil ■
13	M-631005-S	2	Washer-Flat (6 Mm) ■
14	M-645025-S	2	Screw-Flange, Thread Forming (M6X1.0X25) ■
15	52 050 02-S	1	Filter-Oil ■
16	24 136 01-S	1	Nipple-Filter, Oil ■
17	25 155 02-S	1	Connector-Hose, 90 Deg ■
18	25 139 60-S	1	Plug-Pipe, Countersunk (1/8) ■
19	24 086 16-S	9	Screw-HF (M8X1.25X45) ■
20	24 086 17-S	1	Screw-Flange (M8X1.25X45) ■
21	25 099 24-S	1	Switch-Pressure ■
	25 113 05-S	1	Decal-Sentry, Oil ■●

● Not illustrated

■ Obtain parts locally from a Kohler dealer

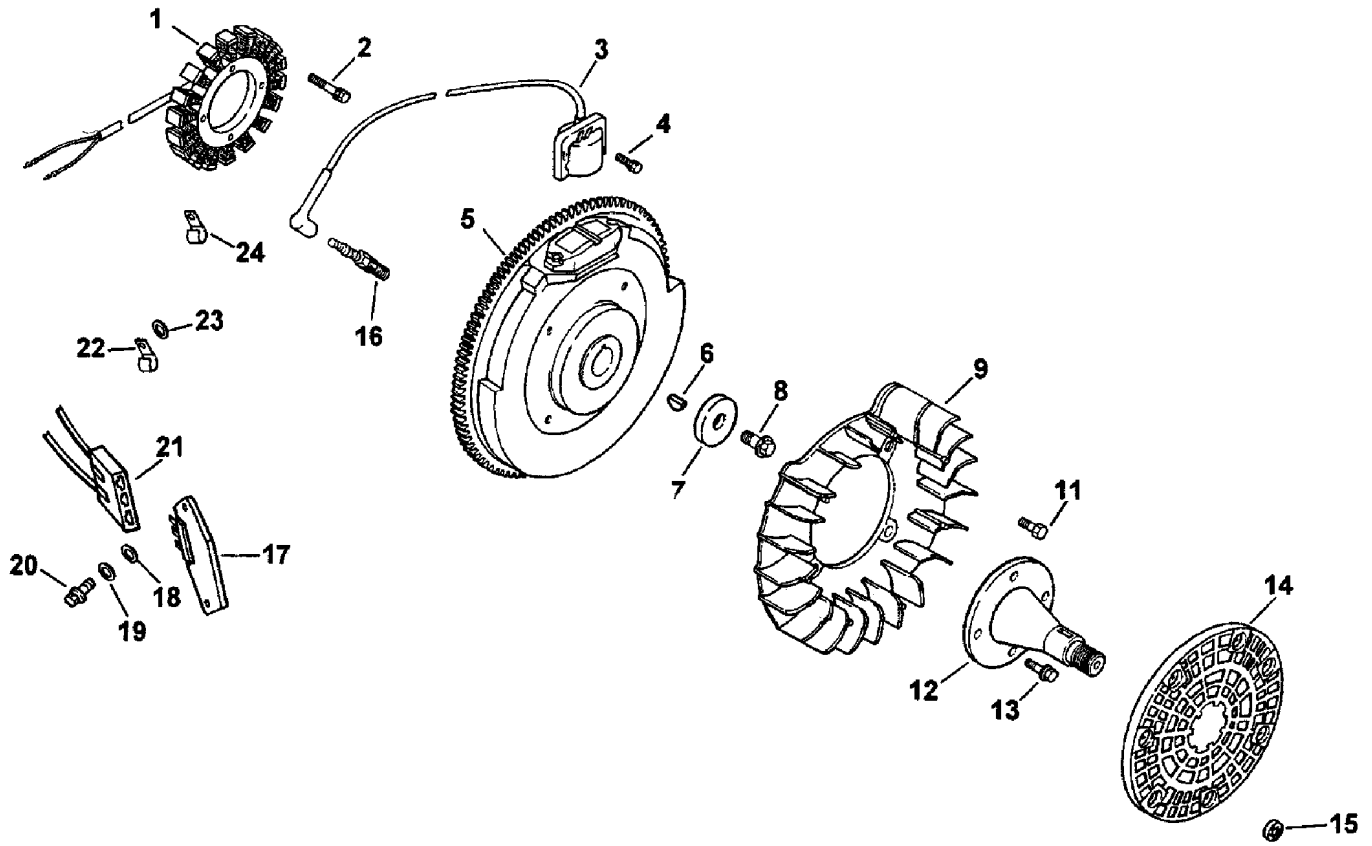


Head, Valve And Breather Assembly Kohler Ch18S PS-62595

Ref.	Part Number	Qty.	Description	Ref.	Part Number	Qty.	Description
1	24 755 74-S	1	Kit-Valve Cover-Plain (Incl #2-3) ■	20	M-640034-S	4	Screw-Flange (M6X1.0X34) ■
2	24 086 32-S	4	Screw-Shoulder (M6X1.0X30) ■	21	12 072 09-S	8	Stud-Cylinder Head ■
3	24 153 16-S	1	O-Ring ■	24 468 16-S	8	Washer-Flat (8.6 Mm) ■●	
4	24 445 01-S	1	Strap-Lifting ■	24 100 10-S	8	Nut-Flange (M8X1.25) ■●	
5	12 755 03-S	4	Retainer Kit ■	22	24 755 75-S	1	Kit-Valve Cover-Oil Fill (Incl #2, 3 & 23) ■
6	12 173 01-S	4	Cap-Spring, Valve ■	23	24 153 09-S	1	O-Ring ■
7	24 089 02-S	4	Spring-Valve ■	24	25 755 13-S	1	Kit-Oil Fill Cap (Incl #25) ■
8	230511-S	4	Retainer-Spring ■	25	12 153 03-S	1	O-Ring ■
9	24 032 05-S	2	Seal-Stem, Valve ■	26	24 402 03-S	1	Reed-Breather ■
10	24 318 68-S	1	No. 1 Cylinder Head ASM ■	27	12 018 01-S	1	Retainer-Reed, Breather ■
11	24 017 01-S	2	Valve-Intake (STD) ■	28	M-545010-S	1	Screw-HHFTF (M5X.80X10) ■
	24 017 02-S	2	Valve-Intake (.25) ■●	29	24 050 01-S	1	Filter-Breather ■
12	24 016 01-S	2	Valve-Exhaust (STD) ■	30	24 033 01-S	1	Kit-Breather Cover/Gasket (Incl #31-33) ■
	24 016 02-S	2	Valve-Exhaust (.25) ■●	31	25 139 60-S	1	Plug-Pipe, Countersunk (1/8) ■
13	24 755 66-S	1	Kit-Valve Train (Incl #15, 18-19) ■	32	24 041 23	1	Gasket-Breather ■
14	25 351 01-S	4	Lifter-Valve ■	33	24 096 58-S	1	Cover-Breather ■
15	24 411 05-S	4	Rod-Push ■	34	25 237 14-S	1	Clamp-Hose, Spring (1/2) ■
16	24 041 05-S	2	Gasket-Cylinder Head ■	35	24 326 26-S	1	Hose-Breather ■
17	24 318 71-S	1	No. 2 Cylinder Head ASM ■	36	M-645020-S	4	Screw-HHFTF (M6X1.0X20) ■
18	25 186 01-S	4	Arm-Rocker ■				
19	24 599 01-S	4	Pivot-Arm, Rocker ■				

● Not illustrated

■ Obtain parts locally from a Kohler dealer

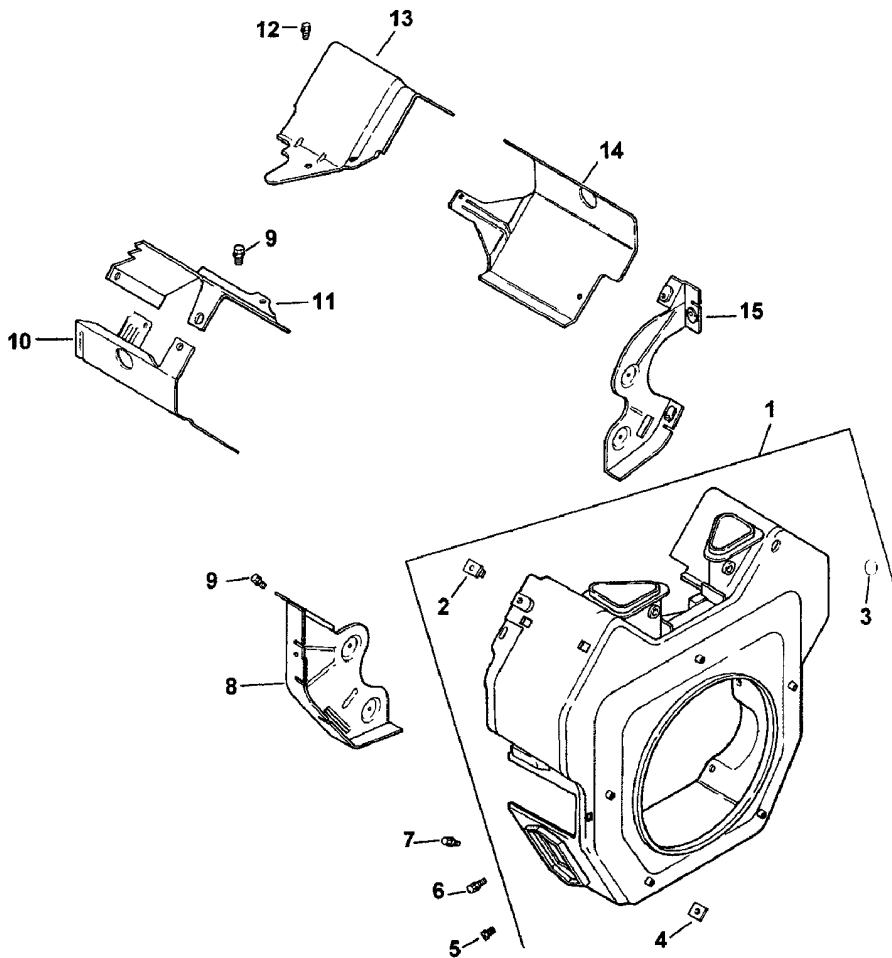


Ignition And Electrical Assembly Kohler Ch18S PS-62595

Ref.	Part Number	Qty.	Description	Ref.	Part Number	Qty.	Description
1	54 755 09-S	1	Kit-15 Amp Stator(Incl #24 176 71 Bracket) ■	14	24 162 16-S	1	Screen-Grass ■
2	M-548025-S	2	Screw-Thread Forming (M5X0.8X25) ■	15	24 018 03-S	3	Retainer ■
3	24 584 01-S	2	Module-Ignition ■	16	12 132 06-S	2	Spark Plug ■
4	M-545020-S	4	Screw-Flange, Thread Forming (M5X.8X20) ■	17	25 403 03-S	1	Rectifier-Regulator, 15 Amp ■
5	24 025 04-S	1	Flywheel ■	18	X-22-11-S	1	Washer-Lock, Internal Tooth (1/4) ■
6	X-42-15-S	1	Key (3/16 X 5/8) ■	19	X-25-92-S	2	Washer-Flat (.188) ■
7	12 468 03-S	1	Washer-Flat (13/32) ■	20	24 086 18-S	2	Screw-Phi HD (11-16X.88) ■
8	12 086 14-S	1	Screw-Flange (M10X1.5X45) ■	21	236602-S	1	Connector (3 Contact) ■
9	24 157 01-S	1	Fan ■	22	235173-S	1	Clip-Cable ■
11	25 086 47-S	4	Bolt-Shoulder (M6X1.0X16) ■	23	X-25-63-S	1	Washer-Flat (1/4) ■
12	24 144 23-S	1	Shaft-Front Drive ■	24	48 154 02-S	1	Clip-Cable ■
13	M-839025-S	4	Screw-HF (M8X1.25X25) ■	24	24 176 51-S	1	Harness-Wiring ■●
					25 518 12-S	1	Lead-Black (5"-18Ga.) ■●
					24 176 71-S	1	Bracket-Stator Wire ■●

● Not illustrated

■ Obtain parts locally from a Kohler dealer

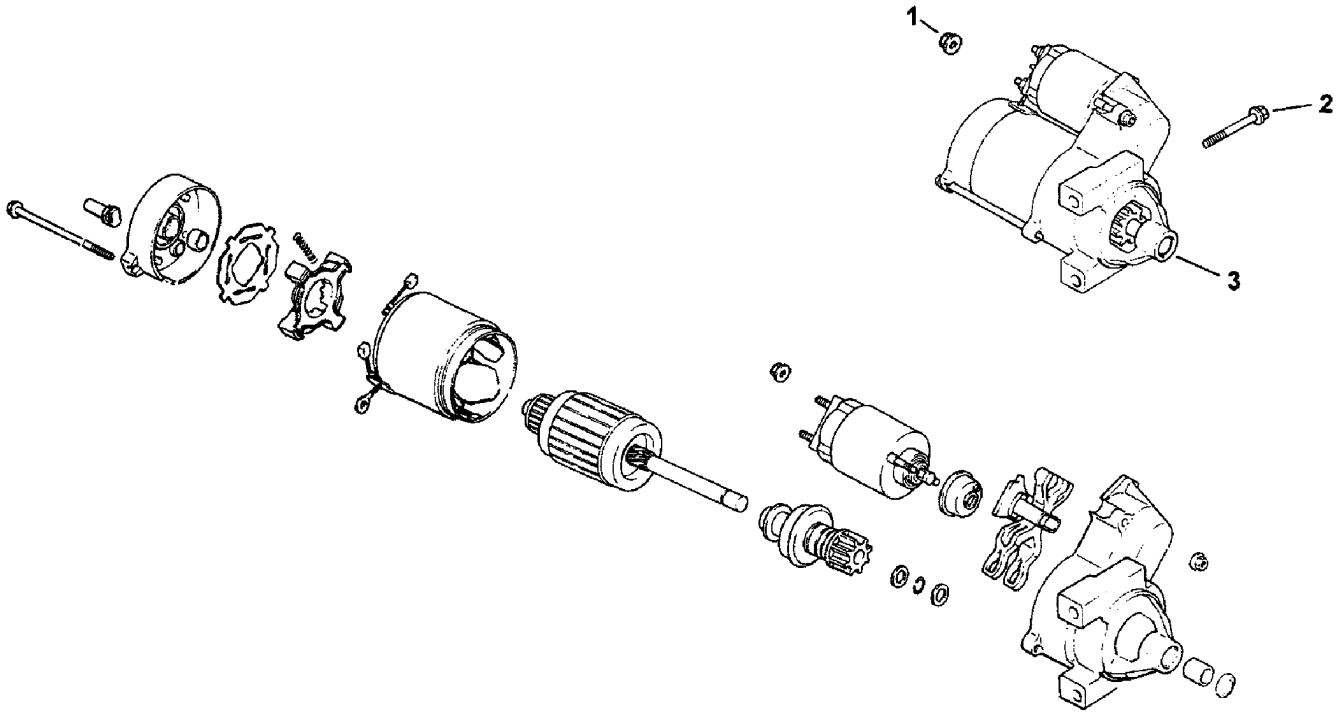


Blower Housing And Baffle Assembly Kohler Ch18S PS-62595

Ref.	Part Number	Qty.	Description
1	24 027 20-S	1	Housing-Blower (Incl #2-4) ■
2	24 100 01-S	3	Nut-Plastic ■
3	25 139 16-S	1	Plug-Button (9/16) ■
4	24 100 02-S	2	Nut-Plastic ■
5	M-551016-S	1	Screw-Hex Flange, Heavy (M5X0.8X16) ■
6	M-545016-S	3	Screw-Flange, Thread Forming (M5X0.8X16) ■
7	M-545020-S	5	Screw-Flange, Thread Forming (M5X.8X20) ■
8	24 146 16-S	1	Plate-Backing (No. 2 Side) ■
9	M-645016-S	6	Screw-Flange, Thread Forming (M6X1.0X16) ■
10	24 063 20-S	1	Baffle-Barrel, Cylinder (No. 2 Side) ■
11	24 063 17-S	1	Baffle-Valley (No. 2 Side) ■
12	M-545010-S	2	Screw-HHFTF (M5X.80X10) ■
13	24 063 24-S	1	Baffle-Valley, No. 1 Side ■
14	24 063 58-S	1	Baffle-Barrel, Cylinder (No. 1 Side) ■
15	24 146 20-S	1	Plate-Backing (No. 1 Side) ■
	24 113 94-S	1	Decal-Hp ■ ●

● Not illustrated

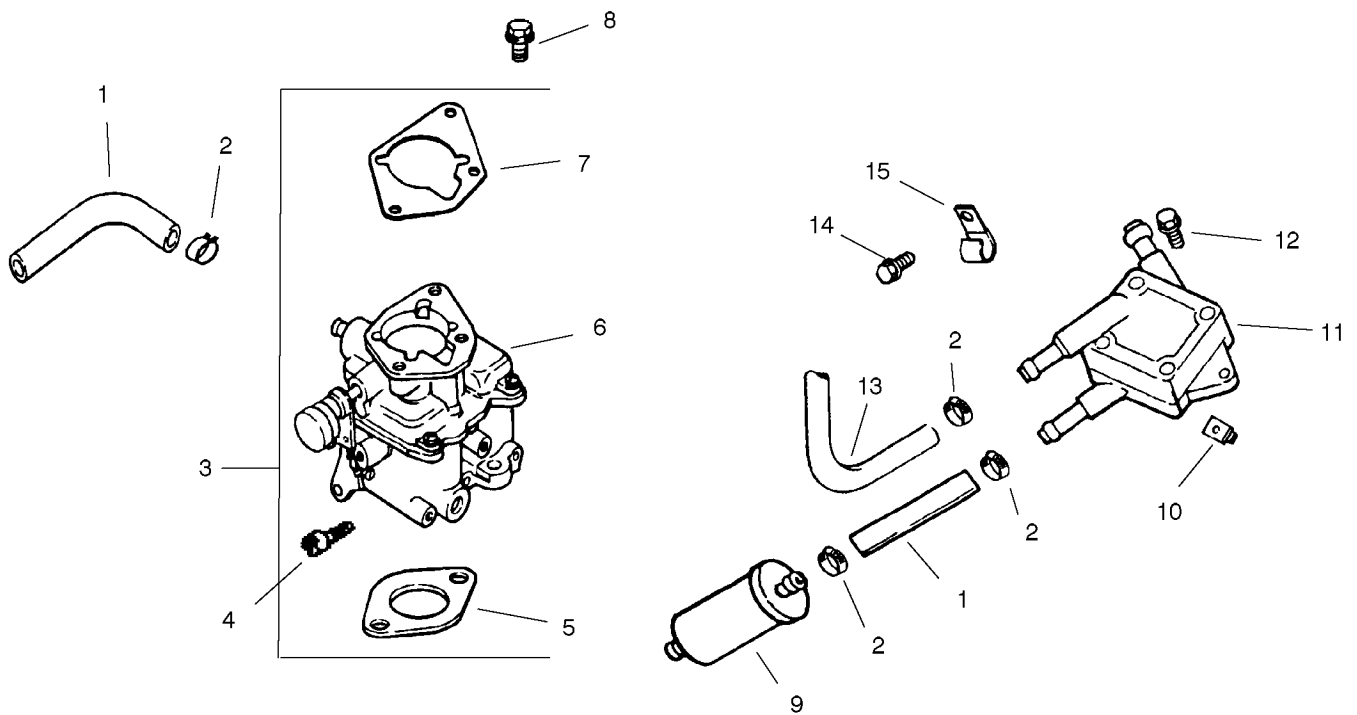
■ Obtain parts locally from a Kohler dealer



Starting System Assembly Kohler Ch18S PS-62595

<i>Ref.</i>	<i>Part Number</i>	<i>Qty.</i>	<i>Description</i>
1	M-839080-S	2	Screw-Flg (M8X1.25X80) ●
2	24 098 08-S	1	Starter-Solenoid Shift (Incl #4-18) ●
3	M-841080-S	1	Nut-Flange (M8X1.25) ●
	25 755 33-S	1	Starter Pinion Drive Kit ●
	25 221 01-S	1	Brush Holder Kit ●
	25 435 04-S	1	Solenoid Kit ●

● Obtain parts locally from a Kohler dealer

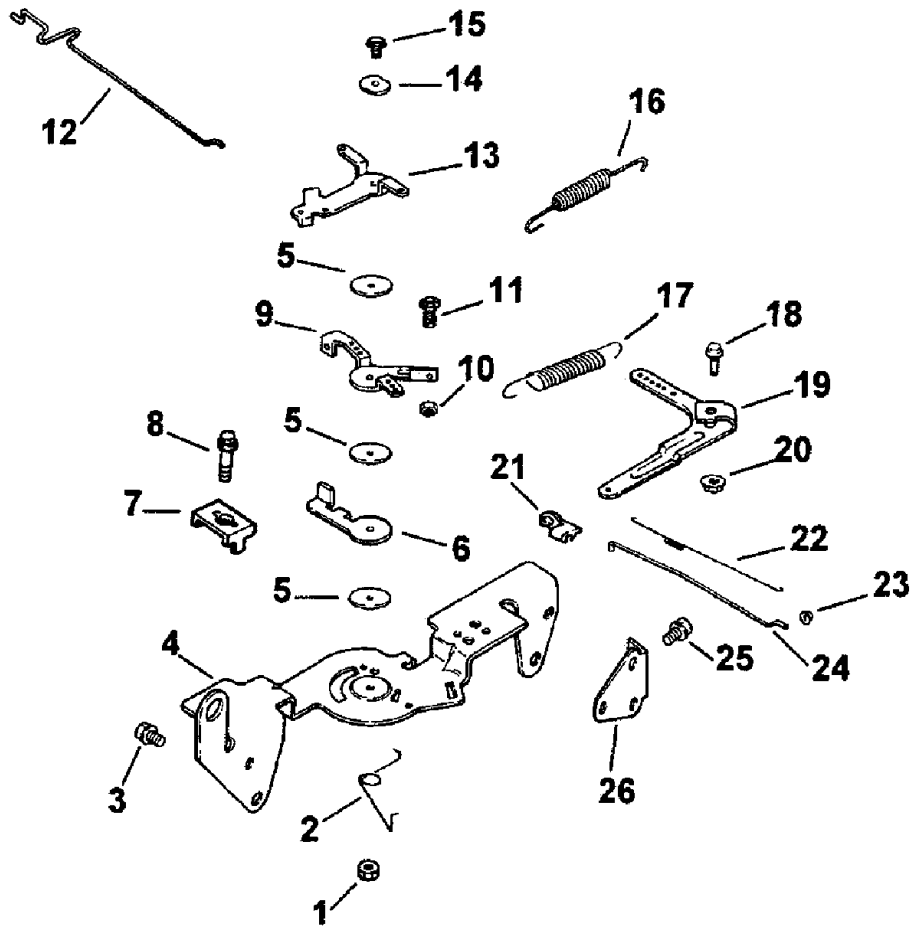


Fuel System Assembly Kohler Ch18S PS-62595

Ref.	Part Number	Qty.	Description
1	25 353 32-S	2	Line-Fuel (9.5) ■
2	25 237 14-S	6	Clamp-Hose, Spring (1/2) ■
3	24 853 35-S	1	Kit-Carburetor W/Gasket (Incl #4-7) ■
4	24 086 05-S	1	Screw-Stop, Throttle ■
5	24 041 17-S	1	Gasket-Carburetor ■
6	24 053 32-S	1	Carburetor ASM (Incl #9, 10, 16-43)(For Information Only, Not Available Separately) ■
7	24 041 06-S	1	Gasket-Base, Air Cleaner ■
8	M-651030-S	2	Screw-Flange (M6X1.0X30) ■
9	24 050 02-S	1	Filter-Fuel ■
10	24 100 01-S	2	Nut-Plastic ■
11	24 393 16-S	1	Pump-Fuel ■
12	24 086 12-S	2	Screw-TAP (M6X1.7X18) ■
13	24 353 02-S	1	Line-Fuel, Flexible (15.5) ■
	24 757 01-S	1	Solenoid Repair Kit ■●
	24 757 02-S	1	Float Repair Kit ■●
	24 757 03-S	1	Carburetor Repair Kit ■●
	24 757 07-S	1	Choke Repair Kit ■●

● Not illustrated

■ Obtain parts locally from a Kohler dealer

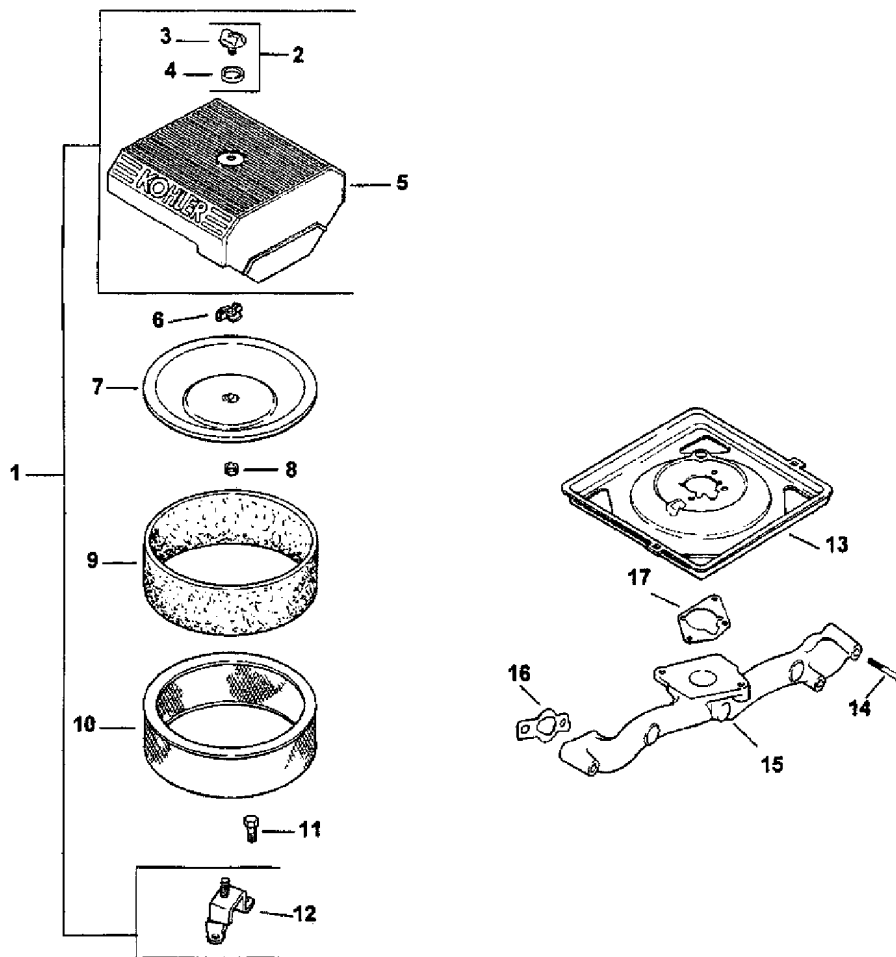


Engine Control Assembly Kohler Ch18S PS-62595

Ref.	Part Number	Qty.	Description	Ref.	Part Number	Qty.	Description
1	M-547050-S	1	Nut-Lock (M5X.8) ■	16	24 089 51-S	1	Spring-Limiter, Throttle ■
2	24 089 03-S	1	Spring-Return, Choke ■	17	24 089 45-S	1	Spring-Governor ■
3	M-645016-S	4	Screw-Flange, Thread Forming (M6X1.0X16) ■	18	24 211 03-S	1	Bolt-Sq Neck, Rd HD (M6X1.0X25) ■
4	24 126 56-S	1	Bracket-Control ■	19	24 090 33-S	1	Lever-Governor ■
5	24 468 01-S	3	Washer-Flat (5.5Mm) ■	20	M-0641060-S	1	Nut-Hex Flange ■
6	24 090 07-S	1	Lever-Actuator, Throttle ■	21	25 158 11-S	1	Bushing-Retaining, Linkage ■
7	12 237 01-S	2	Clamp-Cable ■	22	25 089 01-S	1	Spring-Linkage ■
8	M-545016-S	3	Screw-Flange, Thread Forming (M5X0.8X16) ■	23	25 158 08-S	1	Bushing-Linkage, Throttle ■
9	24 090 03-S	1	Lever-Control, Throttle ■	24	24 079 01-S	1	Linkage-Throttle ■
10	M-446030-S	1	Nut (M4X0.7) ■	25	M-639010-S	2	Screw-HF (M6X1.0X10) ■
11	M-401030-S	1	Screw (M4X0.7X30) ■	26	24 126 04-S	2	Bracket-Support ■
12	24 079 02-S	1	Linkage-Choke ■		M-541050-S	1	Nut-HF (M5X0.8) ■●
13	24 090 05-S	1	Lever-Choke ■		X-20-1-S	1	Washer-Lock (.25) ■●
14	41 468 03-S	1	Washer-Spring (1/4) ■				
15	M-545020-S	1	Screw-Flange, Thread Forming (M5X.8X20) ■				

● Not illustrated

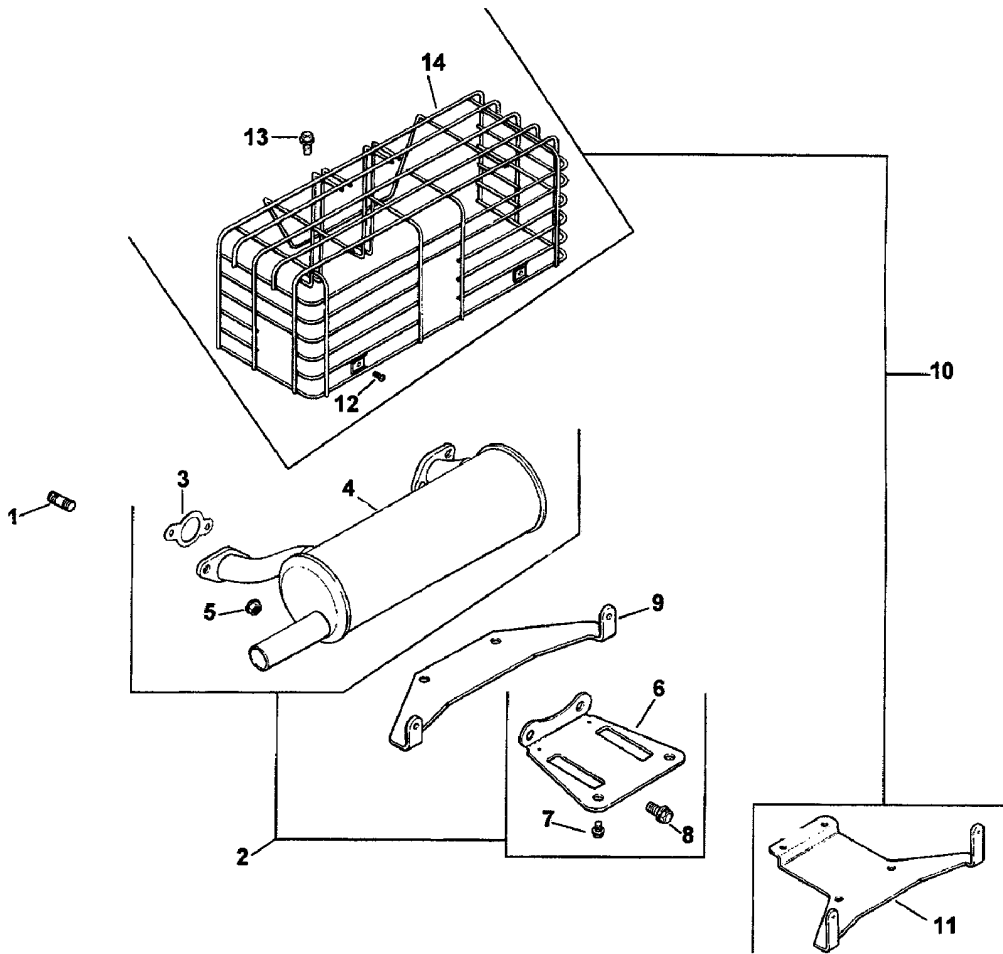
■ Obtain parts locally from a Kohler dealer



Air Intake Assembly Kohler Ch18S PS-62595

Ref.	Part Number	Qty.	Description
1	24 743 05-S	1	Kit-Air Cleaner Cover (Incl #2-5, 12) ●
2	54 755 01-S	1	Kit-Knob W/Seal (Incl #3-4) ●
3	25 341 03-S	1	Knob-Cover ●
4	24 153 20-S	1	O-Ring ●
5	24 096 67-S	1	Cover-Cleaner, Air ●
6	12 100 01-S	1	Nut-Wing ●
7	24 096 01-S	1	Cover-Air Cleaner, Inner ●
8	24 032 03-S	1	Seal-Air Cleaner, Inner ●
9	24 083 02-S	1	Element-Precleaner ●
10	47 083 03-S	1	Element-Cleaner, Air ●
11	M-639016-S	3	Screw-HF (M6X1.0X16) ●
12	24 126 21-S	1	Bracket-Base, Air Cleaner ●
13	24 094 03-S	1	Base-Air Cleaner ●
14	M-651055-S	4	Screw-HF ●
15	24 164 14-S	1	Manifold-Intake ●
16	24 041 01-S	2	Gasket-Manifold, Intake ●
17	24 041 16-S	1	Gasket, Cylinder Head ●

● Obtain parts locally from a Kohler dealer



Exhaust Assembly Kohler Ch18S PS-62595

Ref.	Part Number	Qty.	Description
1	25 072 04-S	4	Stud (M8X1.25X33) ●
2	24 786 06-S	1	Kit-Low Mount Muffler#1 Side Outlet (Incl #3-8) ●
3	24 041 02-S	2	Gasket-Exhaust ●
4	24 068 06-S	1	Muffler-Low Mount ●
5	M-841080-S	4	Nut-Flange (M8X1.25) ●
6	24 126 12-S	1	Bracket-Muffler ●
7	M-650012-S	2	Screw-HF (M6X1.0X12) ●
8	M-839020-S	2	Screw-HF (M8X1.25X20) ●
9	24 126 10-S	1	Bracket-Muffler Guard ●
10	24 755 80-S	1	Kit-Muffler Guard (Incl #11-14) ●
11	24 126 48-S	1	Bracket-Guard, Muffler ●
12	M-550010-S	2	Screw-HF (M5X0.8X10) ●
13	M-545016-S	2	Screw-Flange, Thread Forming (M5X0.8X16) ●
14	24 314 02-S	1	Guard-Muffler ●

● Obtain parts locally from a Kohler dealer

Notes:

Notes:

Notes:



Count on it.