



Count on it.

Parts Catalog

Commercial Walk-Behind Mower

**Fixed Deck, Pistol Grip, Hydro Drive with
48in TURBO FORCE® Cutting Unit**

Model No. 39938—Serial No. 311000001 and Up

Ordering Replacement Parts

To order replacement parts, please supply the part number, the quantity, and the description of each part desired.

Understanding Reference Numbers

Each identified part in an illustration has a reference number. The reference number for a part also appears in the parts list, along with other information about the part.

This catalog uses two special reference number formats, one to indicate parts in a service assembly and another to indicate the quantity of a given part in an illustration.

Service Assembly Reference Numbers

Parts in service assemblies have reference numbers in the form a:b. The a represents the reference number of the entire service assembly and the b represents a sequential number unique to each part within the service assembly.

For example, a wheel assembly might be identified by reference number 6, the tire by 6:1, the valve by 6:2, and the wheel by 6:3. When you order the assembly identified by reference number 6, you receive all parts identified by reference numbers 6:1, 6:2, and 6:3. However, you may also order any part individually. Reference numbers of this type appear in illustration and in parts lists.

Reference Numbers Indicating Quantity

In an illustration, if a reference number indicates more than one part, the reference number has the form nX y. The n represents the quantity of the part, the X is the multiplication symbol, and the y represents the reference number.

For example, in an illustration, the reference number 2X 37 means that two of the parts identified by reference number 37 are indicated.

List of Abbreviations

AR: as required

ASM: assembly

BBC: blade brake control

BHTF: button head thread forming

CARR: carriage

CCW: counter clockwise

CW: clockwise

DEG: degrees

DPA: Dual Point Adjustment

ECM: electronic control module

EXT: external

FH: flat head

GA: gauge

HD: heavy-duty

HF: hex flange

HH: hex head

HHF: hex head flange

HHFTF: hex head flange thread forming

HJ: hex jam

HLH: hex lag head

HOC: height-of-cut

HSBH: hex socket button head

HSFH: hex socket flat head

HSH: hex socket head

HWH: hex washer head

HWTF: hex washer head thread forming

HYD: hydraulic

LH: left hand

LP: Liquid Propane

NI: nylon insert

NPTF: national pipe thread fine

PFH: phillips flat head

PPH: phillips pan head

PPHTF: phillips pan head thread forming

PRH: phillips round head

PTH: phillips truss head

PTO: power-take-off

RH: right hand

ROPS: roll-over protection system

RRB: rear roller brush

SFH: slotted fillister head

SHH: slotted hex head

SHWH: slotted hex washer head

SPH: slotted pan head

SQH: square head

SRH: slotted round head

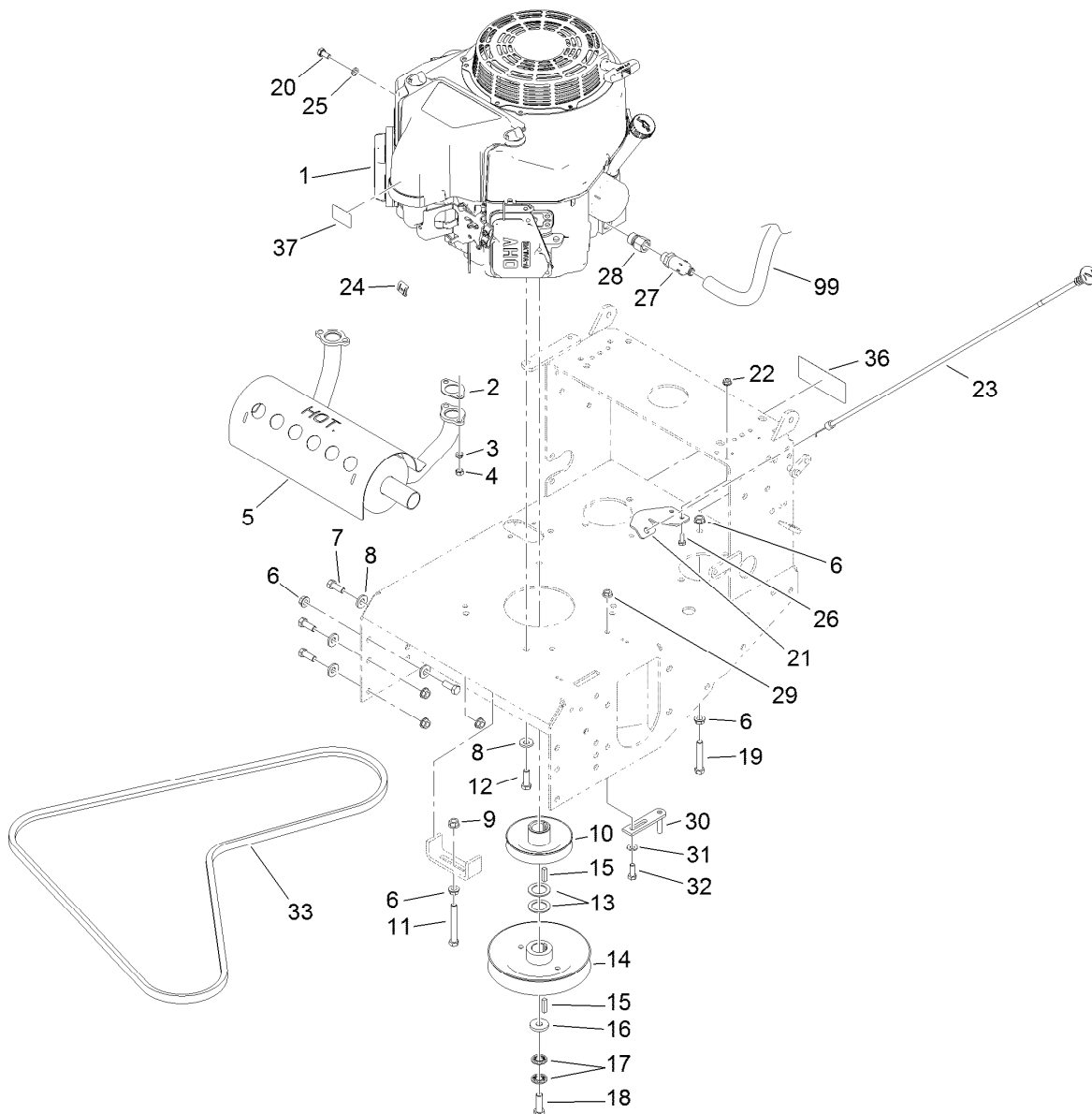
STD: standard

TAP: self tapping

TTH: torx truss head

Contents

Engine and Exhaust Assembly.....	4
Fuel System Assembly	5
Pump Drive and Engine Pulley Assembly	6
Hydraulic Wheel Motor Assembly No. 1-603718.....	7
LH Hydraulic Pump Assembly No. 116-0942.....	8
RH Hydraulic Pump Assembly No. 116-0943	9
Parking Brake Assembly.....	10
Deck Engagement Assembly	11
Hydraulic System Assembly	12
Lower Control Assembly	13
Upper Control Assembly	15
Handle Assembly No. 119-6538	17
Drive Lever Assembly	18
Deck Assembly.....	19
Deck Decal Assembly No. 110-4909.....	20
Deflector Assembly No. 110-0758.....	21
Sheave, Spindle and Blade Assembly	22
Idler Assembly	23
Caster Assembly	24
Attachments and Accessories	25

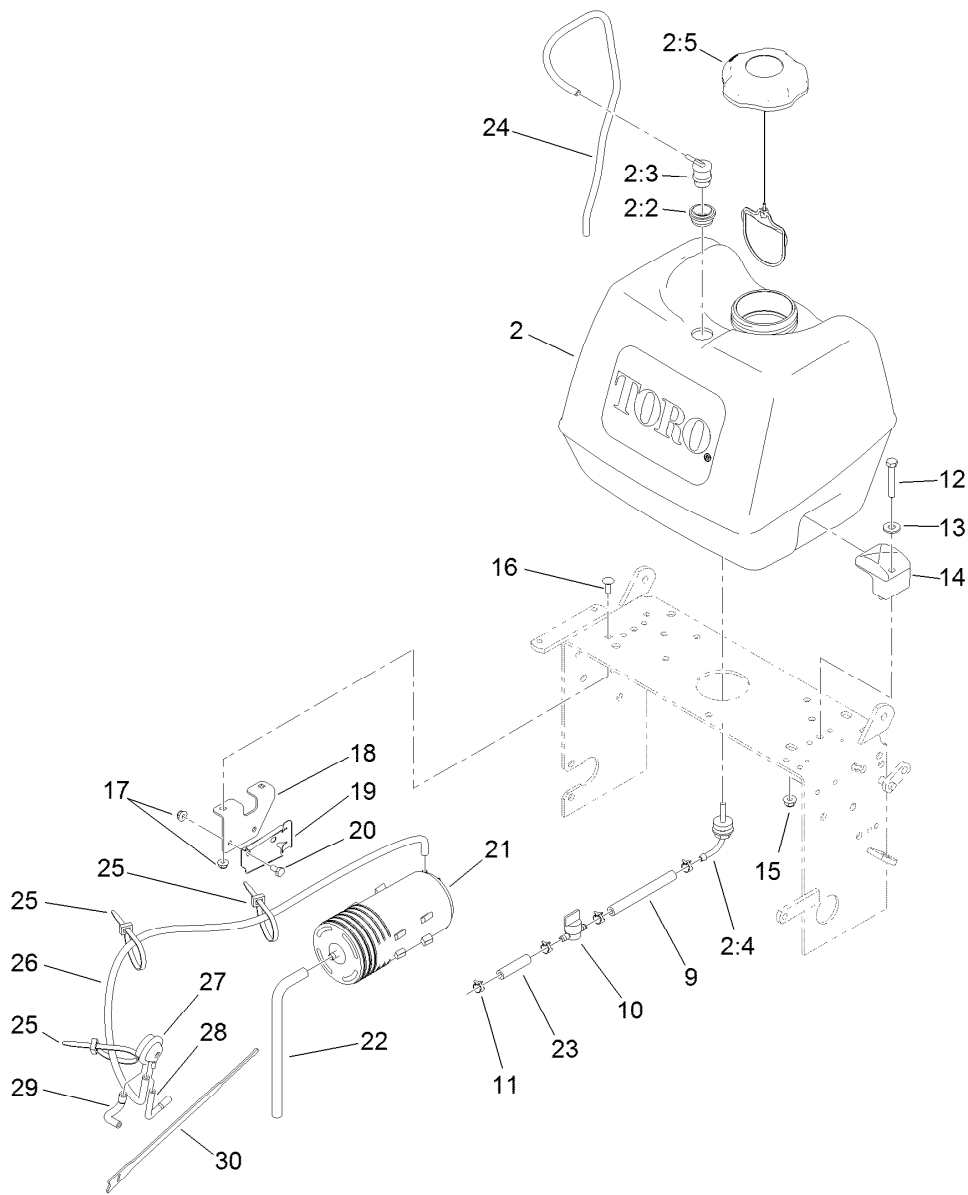


Engine and Exhaust Assembly

Ref.	Part Number	Qty.	Description	Ref.	Part Number	Qty.	Description
1		1	Engine-Kawasaki, Fs481V-As06 ●■	19	323-11	1	Screw-HH
2	1-653313	2	Gasket-Exhaust	20	33114-016	1	Screw-HH
3	114-3550	4	Washer-Lock, Spring	21	103-1797-01	1	Bracket-Cable, Choke
4	114-3549	4	Nut	22	32128-33	2	Nut-HF
5	116-4396	1	Muffler-Horizontal, Offset	23	103-1796	1	Cable-Choke
6	3290-357	11	Nut-HHF, Whiz	24	81-1690	1	Clamp-Cable
7	323-6	8	Screw-HH	25	3253-4	1	Washer-Lock
8	98-5975	12	Washer-Belleville	26	321-3	2	Screw-HH
9	32128-21	1	Nut-HF	27	92-6877	1	Valve-Drain, Oil
10	1-653035	1	Pulley	28	103-1966	1	Adapter
11	323-14	1	Screw-HH	29	32128-20	1	Nut-HF
12	323-7	4	Screw-HH	30	1-322110	1	Guide-Belt
13	1-523157	2	Washer-Spacer	31	1-303334	1	Washer-Spring
14	110-4890	1	Pulley ASM	32	322-4	1	Screw-HH
15	1-807259	2	Key	33	110-0543	1	Belt-V
16	1-373034	1	Washer	36	98-0776	1	Decal-Caution
17	1-603610	2	Washer-Spring	37	103-2076	1	Decal-Caution
18	116-3702	1	Screw-HH	99	103-1964	1	Hose-Drain, Oil

● Not serviced separately

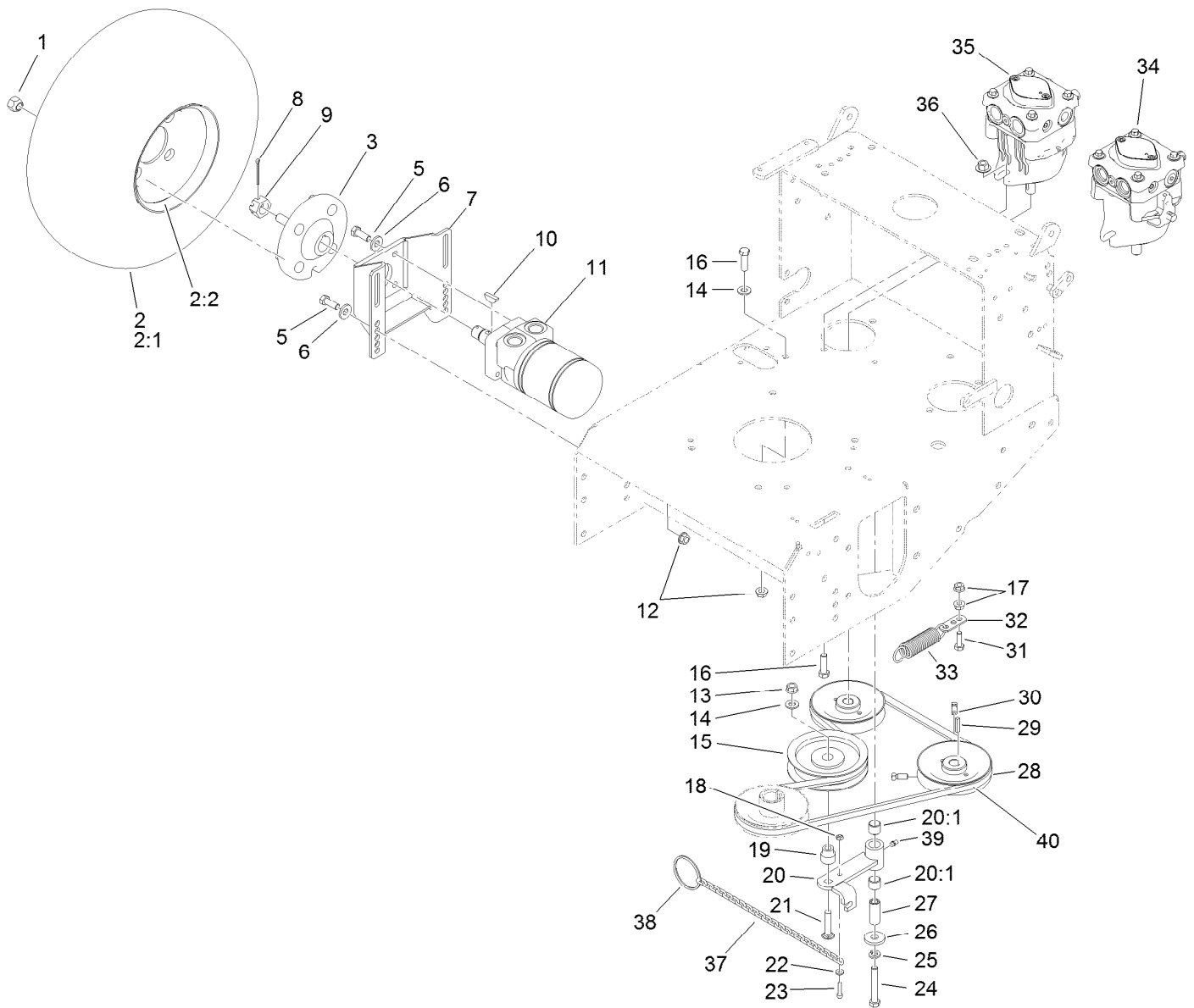
■ Obtain parts from www.kawpowerepc.com



Fuel System Assembly

Ref.	Part Number	Qty.	Description
2	119-7899	1	Fuel Tank ASM
2:2	119-6549	1	Grommet-Valve, Roll-Over
2:3	114-0285	1	Valve-Rollover
2:4	103-2605	1	Fitting-Fuel, Bulkhead
2:5	115-4465	1	Cap-Fuel, Ratcheting
9	109-0650	1	Hose-Fuel
10	1-603770	1	Valve-Fuel
11	2412-98	4	Clamp
12	322-10	2	Screw-HH
13	3256-3	2	Washer-Flat
14	107-4543	2	Clamp
15	104-8300	2	Nut-Flange, NI
16	3229-1	2	Screw-CARR
17	104-7201	4	Nut-HF

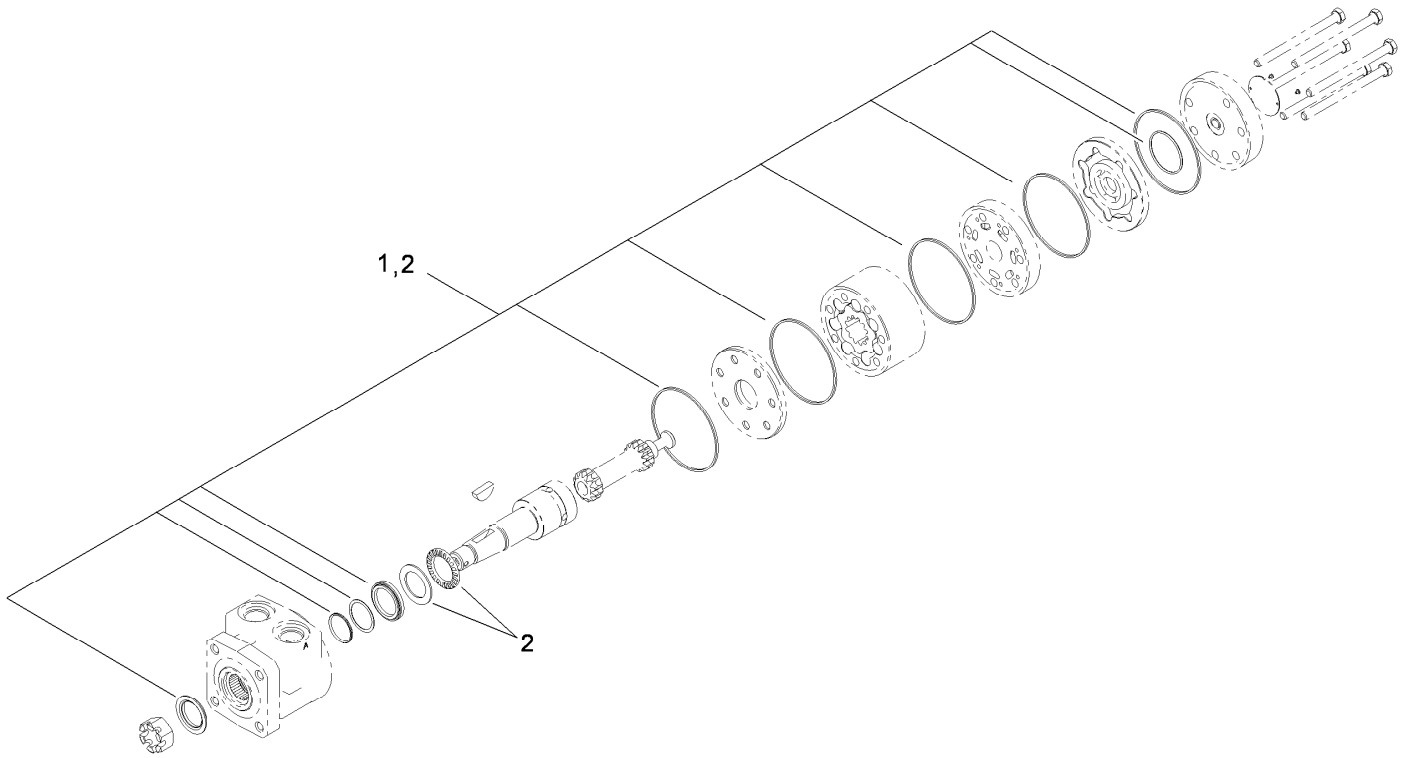
Ref.	Part Number	Qty.	Description
18	115-4486-01	1	Bracket-Canister, Carbon
19	114-0292	1	Bracket-Canister, Carbon
20	321-2	2	Screw-HH
21	117-1221	1	Canister-Carbon, 800Cc
22	115-0962	1	Hose-Vent, Canister
23	99-9415	1	Hose-Fuel
24	114-0286	1	Hose-Vent
25	3290-378	3	Tie-Cable
26	116-2231	1	Hose-Vent, Formed
27	116-2232	1	Valve-Control, Vacuum
28	119-8501	1	Hose-Vent, Formed
29	119-8502	1	Hose-Vent, Formed
30	116-2469	1	Strap-Velcro, Cable Tie



Pump Drive and Engine Pulley Assembly

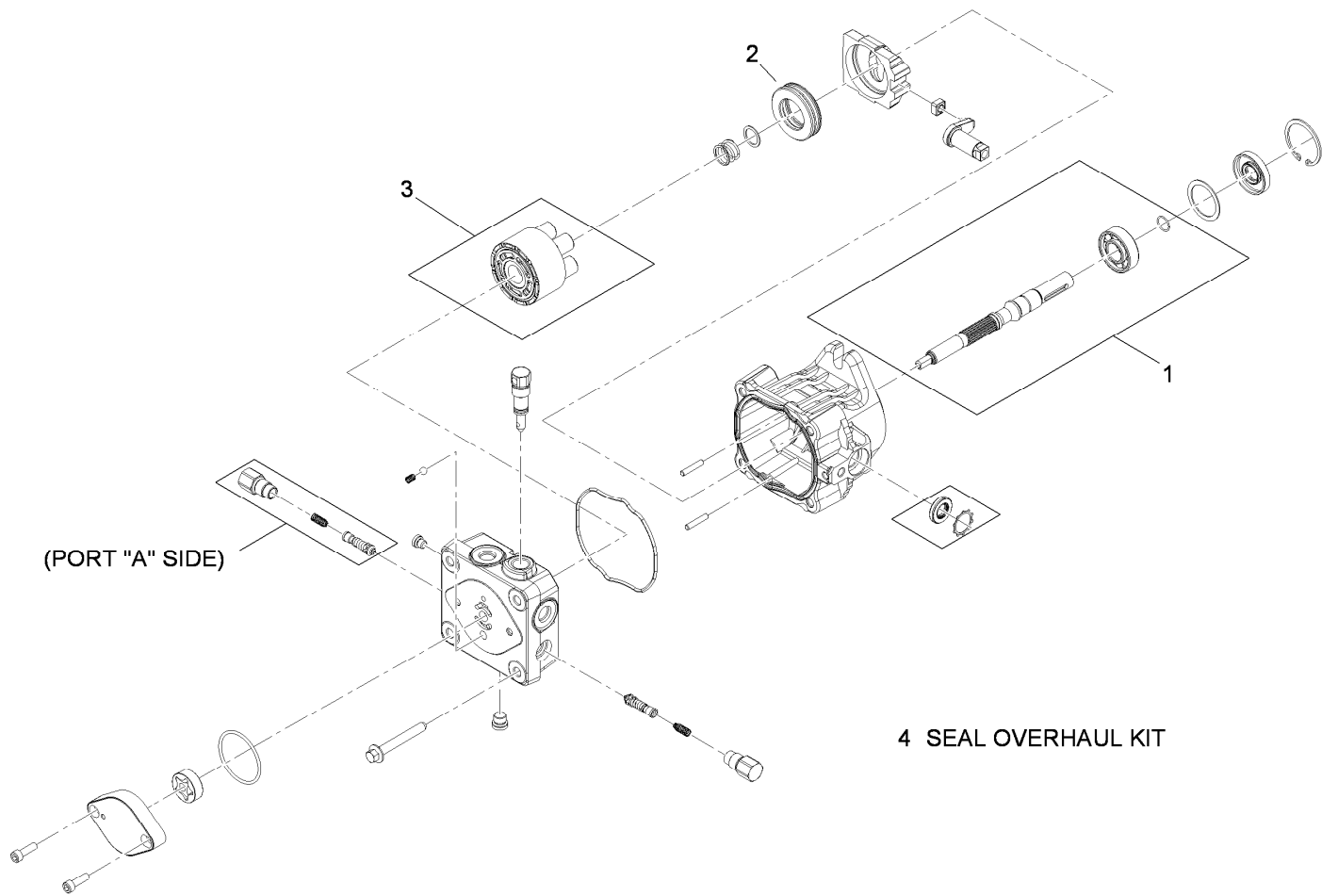
Ref.	Part Number	Qty.	Description
1	242-50	8	Nut-Lug
2	1-613263	2	Wheel And Tire ASM
2:1	1-613264	1	Tire-Turfmaster
2:2	1-603715	1	Wheel-Rim
3	112-9049	2	Wheel Hub ASM
5	323-6	16	Screw-HH
6	98-5975	16	Washer-Belleville
7	1-402062-01	2	Mount-Motor
8	1-806800	2	Pin-Cotter
9	32136-5	2	Nut-Hex, Slotted
10	1-807019	2	Key-Woodruff
11	1-603718	2	HYD Motor ASM
12	3290-357	9	Nut-HHF, Whiz
13	32128-21	1	Nut-HF
14	3256-24	2	Washer-Flat
15	1-603843	1	Pulley-Idler
16	323-7	5	Screw-HH
17	32128-20	2	Nut-HF
18	3296-2	1	Nut-Lock, NI
19	1-603496	1	Bushing-Idler
20	1-602521	1	Idler Arm ASM

Ref.	Part Number	Qty.	Description
20:1	103-4681	2	Sleeve-Bearing
21	3231-29	1	Screw-CARR
22	3256-14	1	Washer-Flat
23	1-809069	1	Screw-HSH
24	323-12	1	Screw-HH
25	3253-21	1	Washer-Lock
26	1-373034	1	Washer
27	1-603044	1	Bushing
28	1-413010	2	Sheave ASM
29	1-807272	2	Key
30	1-803050	4	Screw-Set
31	322-5	1	Screw-HH
32	1-603801	1	Anchor-Spring
33	1-603402	1	Spring-Extension
34	116-0942	1	LH HYD Pump ASM
35	116-0943	1	RH HYD Pump ASM
36	32128-43	4	Nut-Flange
37	1-323365	1	Chain-Link, Twist
38	1-323366	1	Ring-Split
39	302-19	1	Fitting-Grease
40	106-2740	1	V-Belt



Hydraulic Wheel Motor Assembly No. 1-603718

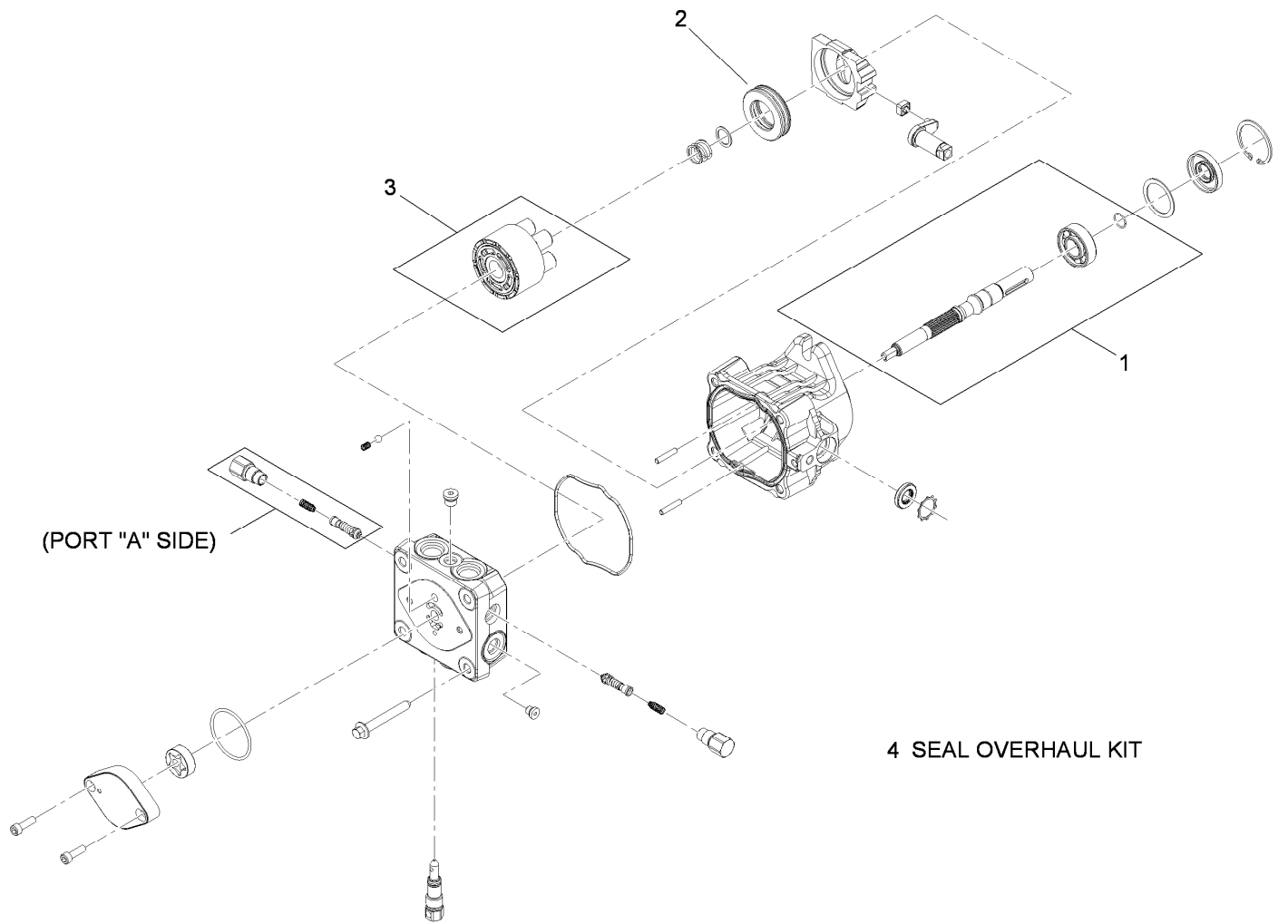
<i>Ref.</i>	<i>Part Number</i>	<i>Qty.</i>	<i>Description</i>
1	1-000119	1	Seal Kit
2	1-000138	1	Bearing And Seal Kit



4 SEAL OVERHAUL KIT

LH Hydraulic Pump Assembly No. 116-0942

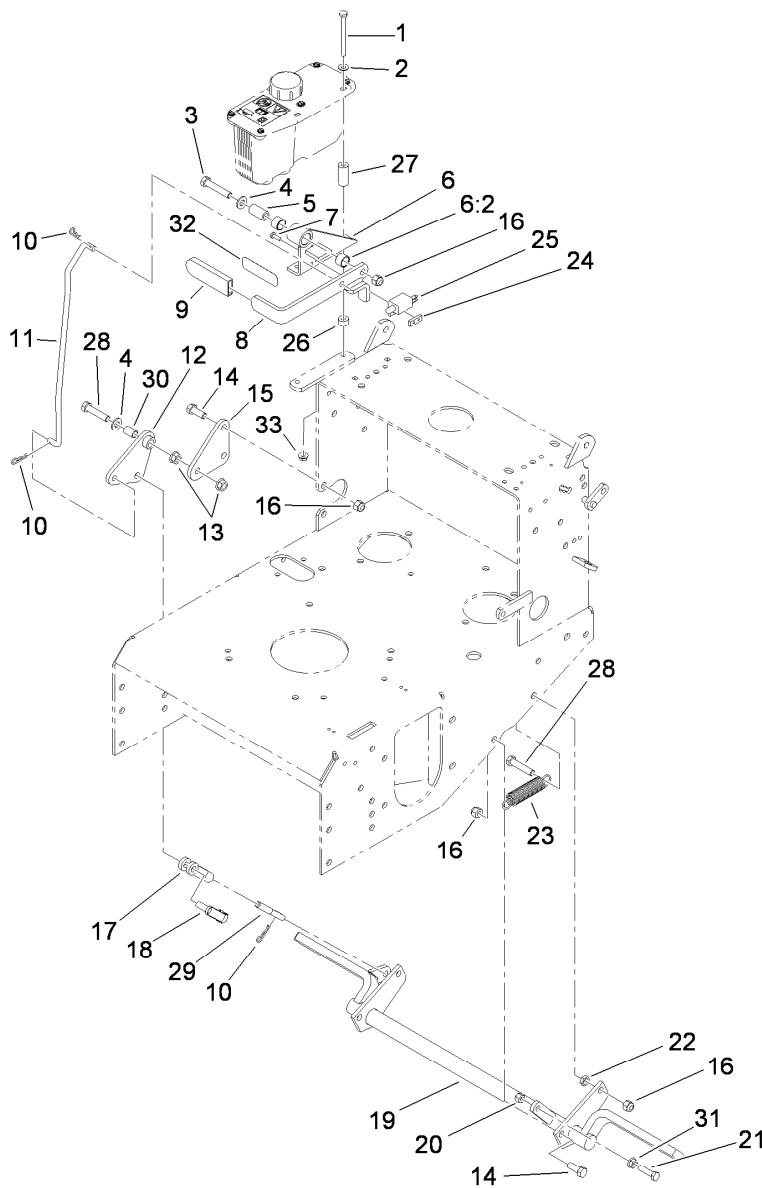
<i>Ref.</i>	<i>Part Number</i>	<i>Qty.</i>	<i>Description</i>
1	103-2664	1	Input Shaft Kit
2	94-6922	1	Bearing-Thrust
3	103-2666	1	Cylinder Block Kit
4	105-6184	1	Seal Overhaul Kit



4 SEAL OVERHAUL KIT

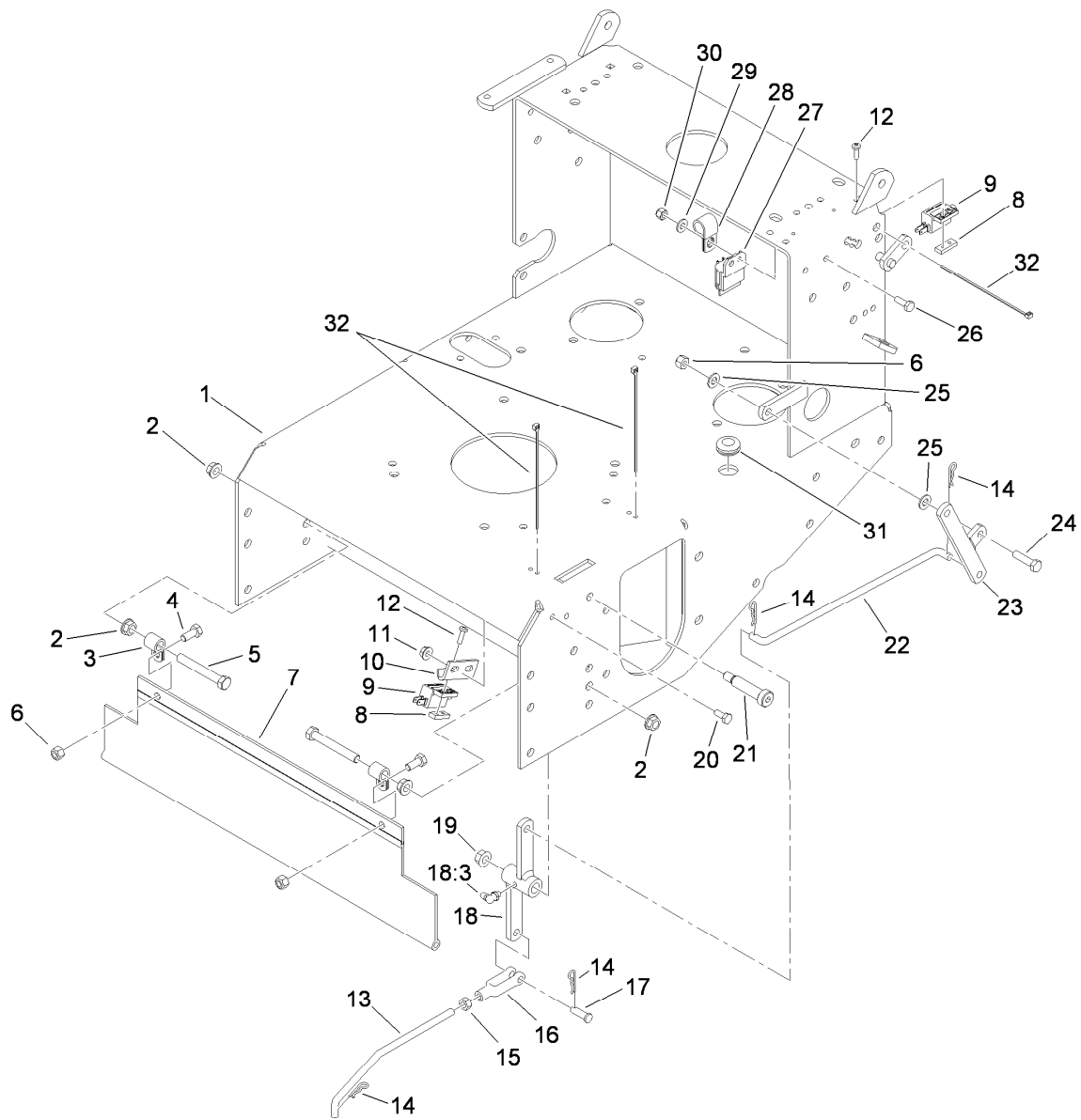
RH Hydraulic Pump Assembly No. 116-0943

<i>Ref.</i>	<i>Part Number</i>	<i>Qty.</i>	<i>Description</i>
1	103-2664	1	Input Shaft Kit
2	94-6922	1	Bearing-Thrust
3	103-2666	1	Cylinder Block Kit
4	105-6184	1	Seal Overhaul Kit



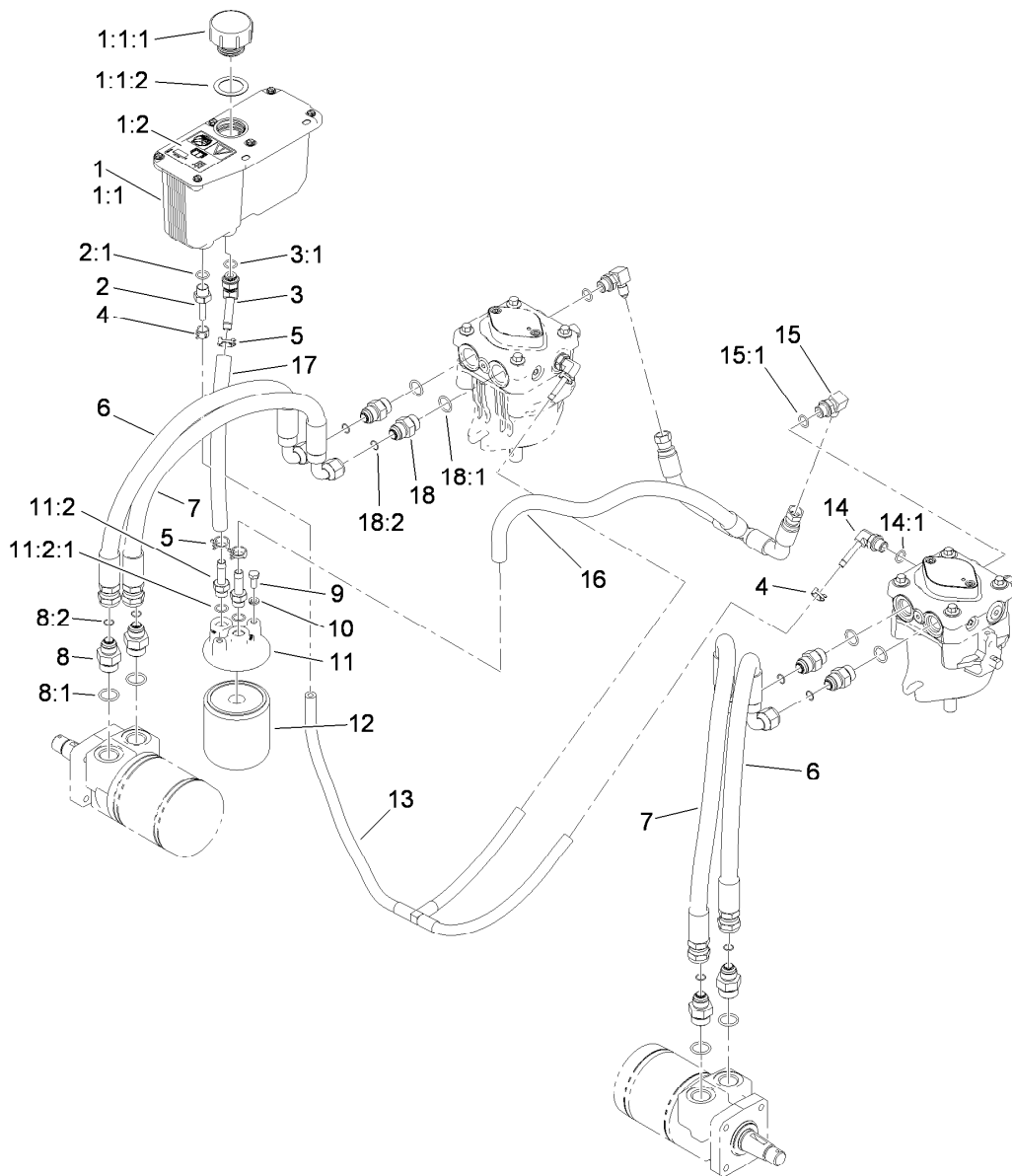
Parking Brake Assembly

Ref.	Part Number	Qty.	Description	Ref.	Part Number	Qty.	Description
1	321-23	2	Screw-HH	17	1-633131	1	Yoke-Linkage, Brake
2	3256-22	2	Washer-Flat	18	103-2399	1	Pin-Spring, Clevis
3	323-10	1	Screw-HH	19	103-2004-03	1	Brake
4	3256-24	2	Washer-Flat	20	3296-29	1	Nut-Lock, NI
5	1-413344	1	Bushing-Pivot	21	116-3515	1	Screw-HH Special
6	1-414504	1	Bracket ASM	22	3218-3	1	Nut-Jam
6:2	1-413347	2	Sleeve-Bushing	23	1-323161	1	Spring-Idler
7	3290-500	2	Screw-PPH	24	1-633181	1	Plate-Tapped
8	1-412501-03	1	Lever-Parkbrake	25	1-513051	1	Switch-Open, Normally
9	1-303020	1	Grip-Lever	26	1-323549	2	Spacer
10	1-806003	3	Pin-Cotter, Hair	27	103-2191	2	Spacer
11	1-413496	1	Linkage-Upper	28	323-9	2	Screw-HH
12	1-414508	1	Bellcrank ASM	29	1-413489	1	Linkage-Lower
13	32128-21	2	Nut-HF	30	1-303548	1	Bushing-Plastic
14	323-6	5	Screw-HH	31	32128-20	1	Nut-HF
15	1-413497	1	Bellcrank	32	103-2103	1	Decal-Brake, Park
16	3296-39	7	Nut-Lock, NI	33	32128-33	2	Nut-HF



Deck Engagement Assembly

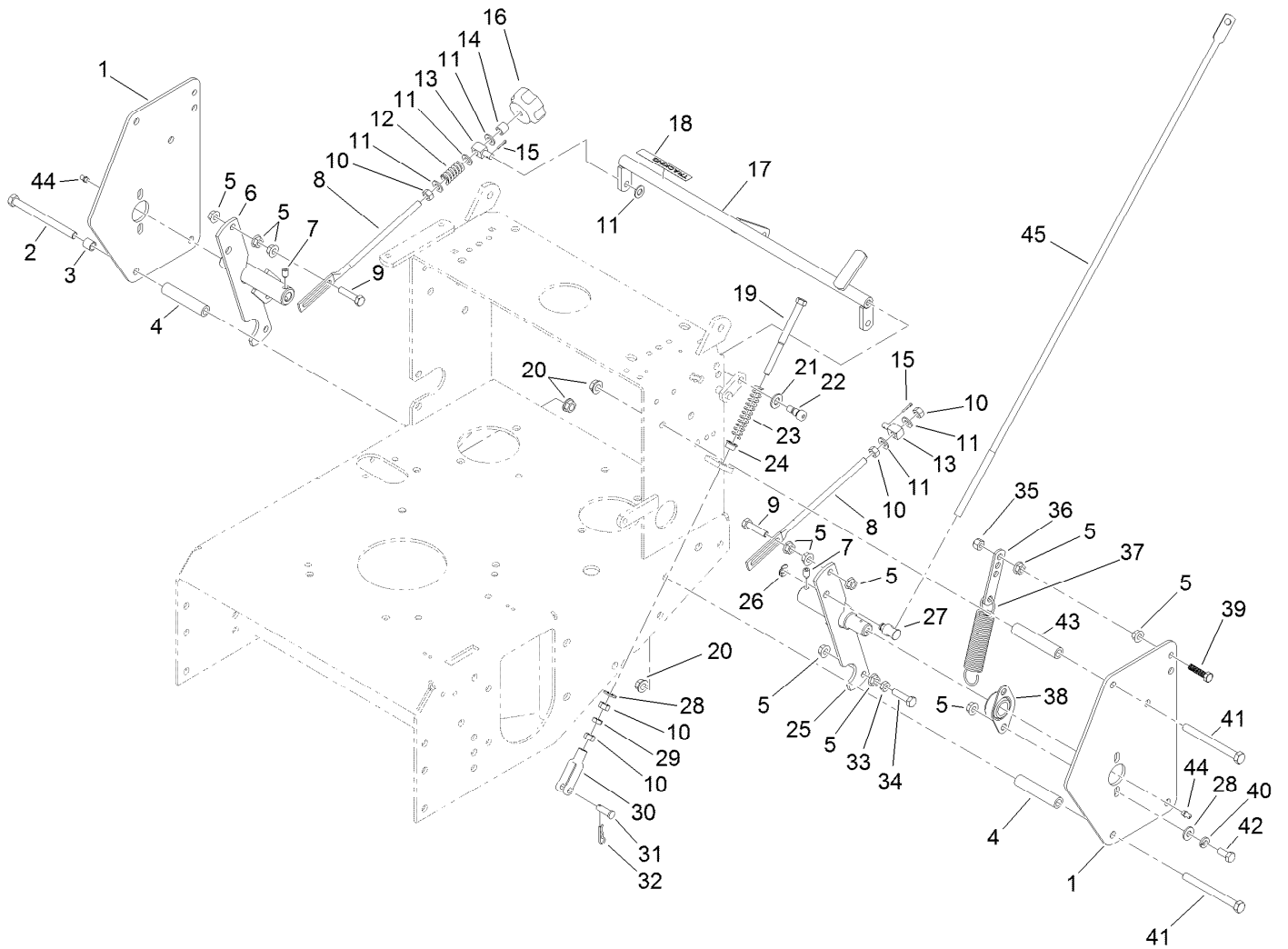
<i>Ref.</i>	<i>Part Number</i>	<i>Qty.</i>	<i>Description</i>	<i>Ref.</i>	<i>Part Number</i>	<i>Qty.</i>	<i>Description</i>
1	117-3523-01	1	Hydro Frame ASM	18	1-322108	1	Bellcrank ASM
2	3290-357	4	Nut-HHF, Whiz	18:3	302-40	1	Fitting-Grease
3	1-413510	2	Clip-Loom	19	32128-21	1	Nut-HF
4	322-3	2	Screw-HH	20	321-3	2	Screw-HH
5	323-13	2	Screw-HH	21	1-809062	1	Screw
6	3296-29	3	Nut-Lock, NI	22	1-323172	1	Linkage-Engage, Blade
7	103-2056	1	Shield-Drag	23	1-322090-01	1	Bellcrank ASM
8	1-633181	2	Plate-Tapped	24	322-6	1	Screw-HH
9	1-513051	2	Switch-Open, Normally	25	3256-23	2	Washer-Flat
10	1-323213	1	Bracket-Switch, Blade	26	321-4	1	Screw-HH
11	32128-33	2	Nut-HF	27	1-323430	1	Module-Interlock
12	3290-500	4	Screw-PPH	28	1-603727	1	Clip-Loom
13	1-323174	1	Arm-Linkage, Assist	29	3256-22	1	Washer-Flat
14	1-806003	4	Pin-Cotter, Hair	30	3296-42	1	Nut-Lock, NI
15	3219-2	1	Nut-Hex	31	1-543296	1	Grommet
16	1-303105	1	Yoke-Adjustable	32	1-303287	3	Tie-Cable
17	1-808280	1	Pin-Clevis				



Hydraulic System Assembly

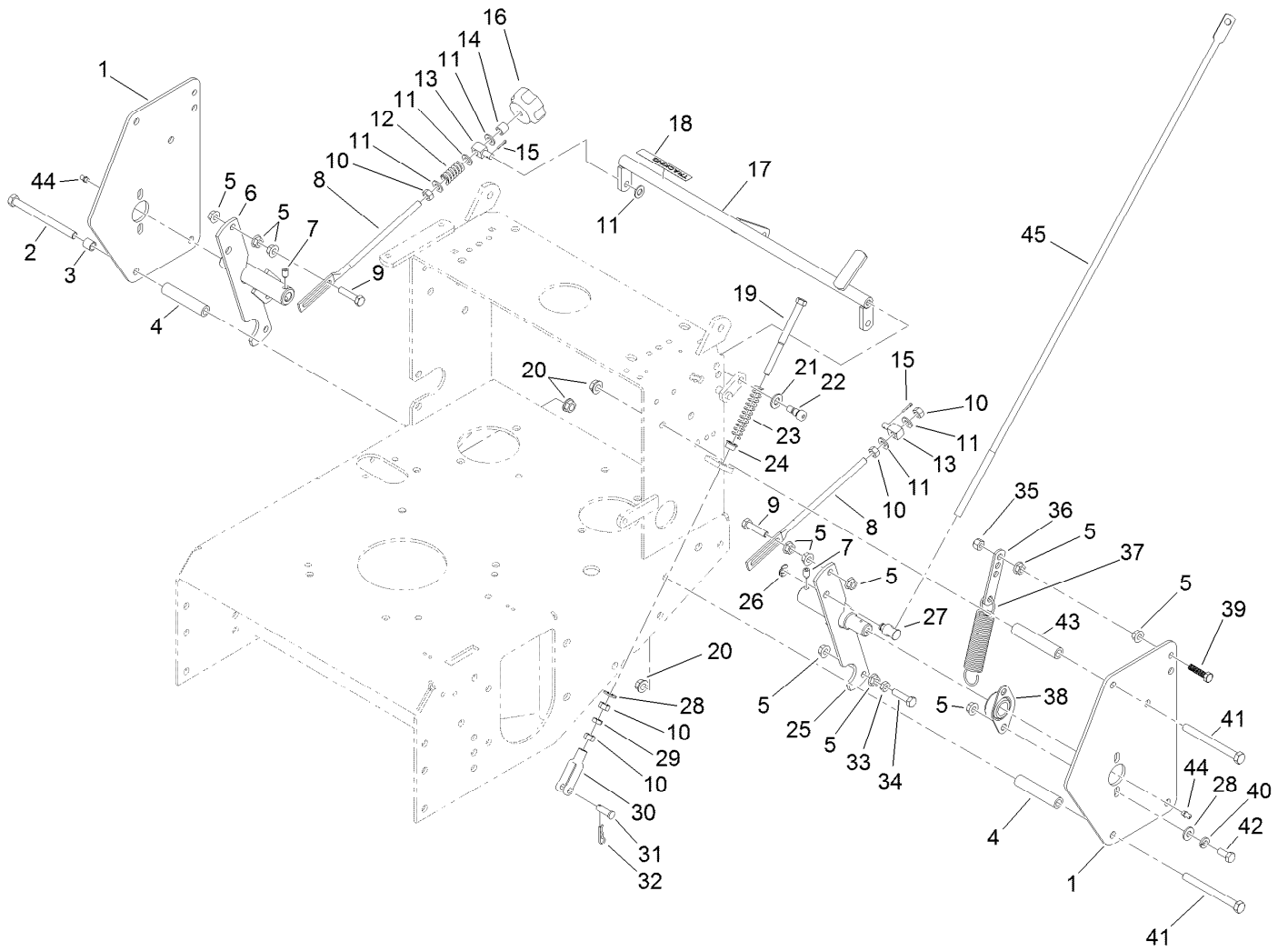
Ref.	Part Number	Qty.	Description	Ref.	Part Number	Qty.	Description
1	107-8433	1	HYD Reservoir ASM	9	321-3	2	Screw-HH
1:1		1	Reservoir-HYD ●	10	1-805004	2	Washer-Lock
1:1:1	103-1948	1	Cap-Reservoir, HYD	11	103-2889	1	Filter Head ASM
1:1:2	103-1949	1	Gasket-Cap	11:2	103-1912	2	Adapter-Straight
1:2	115-4212	1	Decal-Warning	11:2:1	237-42	1	O-Ring
2	103-1801	1	Adapter-Straight	12	1-633750	1	Filter-Oil, HYD
2:1	237-42	1	O-Ring	13	116-0918	1	Case Drain Hose ASM
3	103-1807	1	Fitting-Barbed, 45 DEG	14	103-1799	2	Elbow-90 DEG
3:1	237-42	1	O-Ring	14:1	237-42	1	O-Ring
4	103-1716	3	Clamp-Hose	15	103-1802	2	Fitting-HYD, 90 DEG
5	103-1988	3	Clamp-Hose	15:1	1-603921	1	O-Ring
6	119-7827	2	HYD Hose ASM	16	116-2123	1	Charge Hose ASM
7	119-7826	2	HYD Hose ASM	17	103-2959	1	Hose-Charge
8	1-603991	4	Fitting-Straight	18	1-603990	4	Fitting-Straight
8:1	237-80	1	O-Ring	18:1	1-603920	1	O-Ring
8:2	1-603992	1	O-Ring	18:2	1-603992	1	O-Ring

● Not serviced separately



Lower Control Assembly

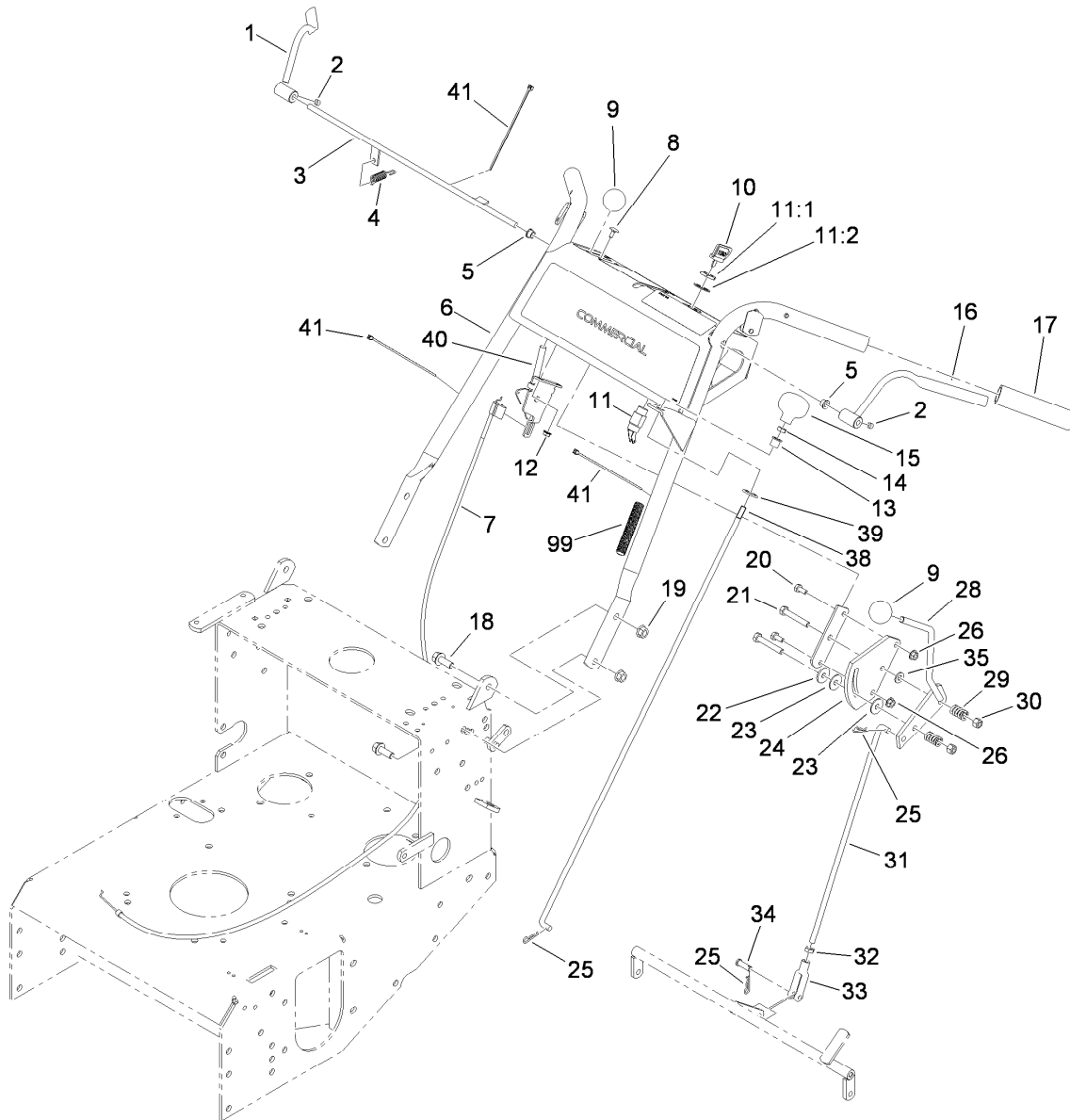
<i>Ref.</i>	<i>Part Number</i>	<i>Qty.</i>	<i>Description</i>	<i>Ref.</i>	<i>Part Number</i>	<i>Qty.</i>	<i>Description</i>
1	110-4897-01	2	Shield-Control	22	1-809056	2	Screw
2	323-23	1	Screw-HH	23	1-603807	2	Spring-Return, Neutral
3	105-4820	1	Spacer-Short	24	1-603735	2	Bushing-Flanged
4	1-323197-01	4	Spacer-Shield	25	103-1190-01	1	Shaft-Control, LH
5	32128-20	18	Nut-HF	26	32151-47	2	Ring-Retaining
6	103-4796-01	1	Shaft-Control, RH	27	103-1235	2	Swivel-Lever, Drive
7	3246-4	2	Screw-Set	28	3256-2	6	Washer-Flat
8	1-413350	2	Link-Control, Speed	29	3220-2	2	Nut-Jam
9	1-403180	2	Screw-HH	30	1-303105	2	Yoke-Adjustable
10	3219-2	7	Nut-Hex	31	1-808280	2	Pin-Clevis
11	3256-23	7	Washer-Flat	32	1-806003	2	Pin-Cotter, Hair
12	1-323245	1	Spring-Compression	33	3218-2	2	Nut-Jam
13	1-603676	2	Swivel-Adjustable, Short	34	116-3515	2	Screw-HH Special
14	1-603903	1	Spacer	35	3296-29	2	Nut-Lock, NI
15	3272-5	2	Pin-Cotter	36	1-613089	2	Tab-Spring, Extension
16	103-3060	1	Knob-Tracking	37	1-603693	2	Spring-Extension
17	1-412203-01	1	Crank-Control, Speed	38	1-633102	2	Bearing-Flange, Side
18	105-4109	1	Decal-Tracking	39	1-800016	2	Bolt-TAP, HH
19	1-603737	2	Bolt-Return, Neutral	40	1-805005	4	Washer-Lock
20	3290-357	8	Nut-HHF, Whiz	41	323-16	7	Screw-HH
21	3256-24	2	Washer-Flat	42	322-3	4	Screw-HH



Lower Control Assembly (continued)

<i>Ref.</i>	<i>Part Number</i>	<i>Qty.</i>	<i>Description</i>
43	1-323195-01	4	Spacer-Shield

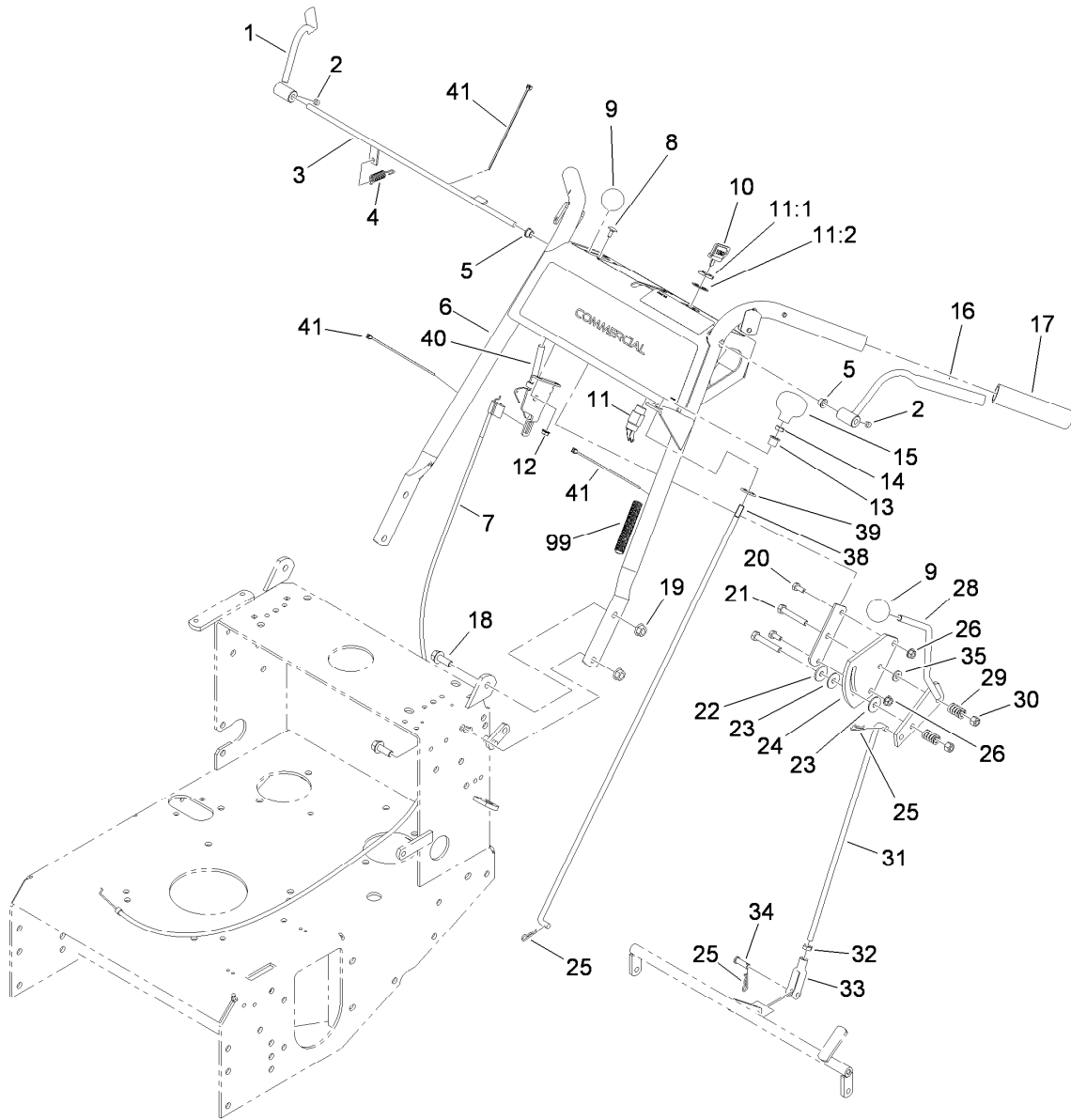
<i>Ref.</i>	<i>Part Number</i>	<i>Qty.</i>	<i>Description</i>
44	302-19	2	Fitting-Grease
45	1-413219	2	Rod-Lever, Drive



Upper Control Assembly

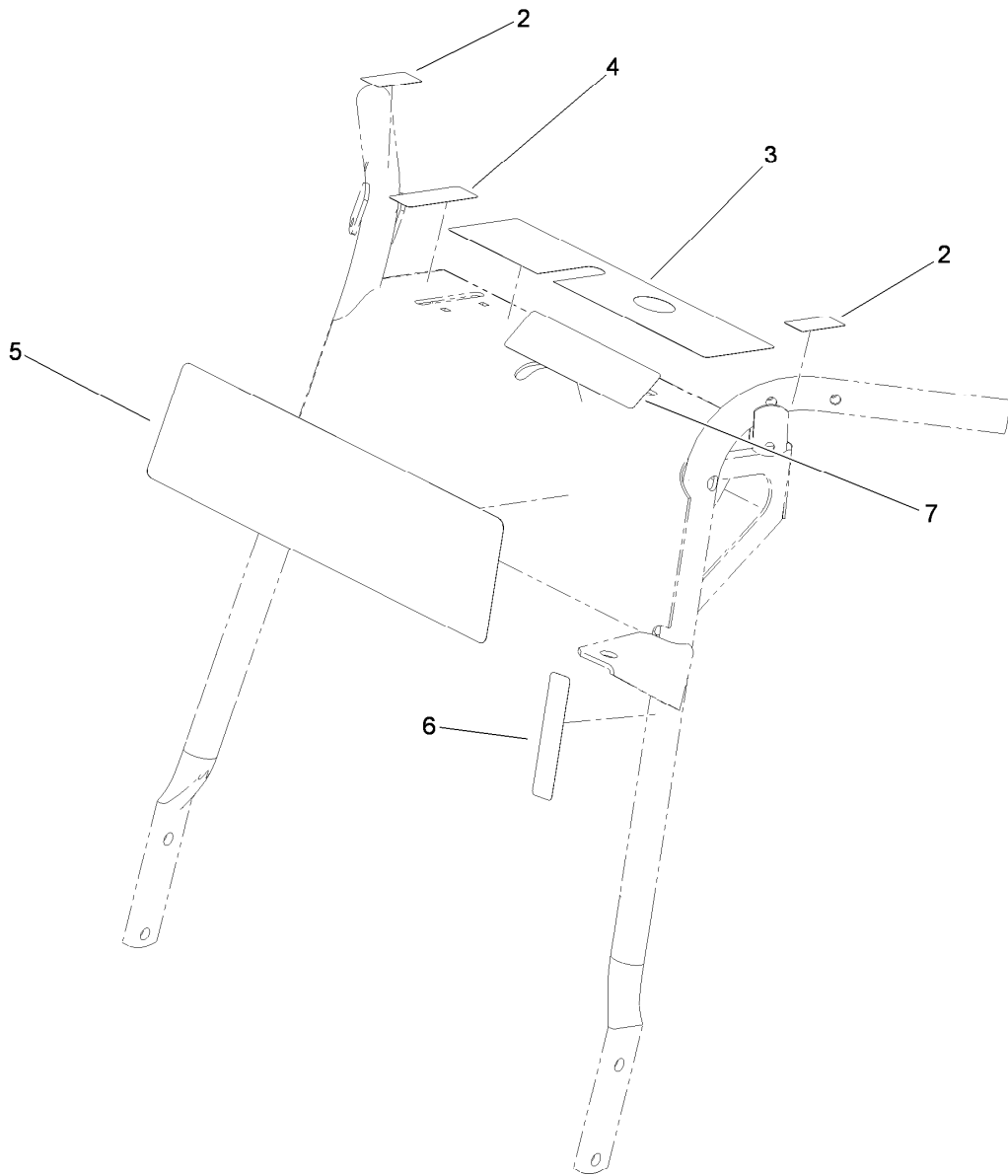
Ref.	Part Number	Qty.	Description
1	106-5486	1	RH Operator Presence Control Lever ASM
2	1-803322	2	Screw-Set
3	106-2717-03	1	Rod-Control, Operator Presence
4	1-303363	1	Spring-Extension
5	1-303365	2	Bushing-Nylon
6	119-6538	1	Handle ASM
7	119-1823	1	Cable-Control, Throttle
8	1-807513	2	Bolt-CARR
9	1-603175	2	Knob-Ball
10	63-8360	1	Key-Ignition
11	29-5560	1	Switch-On / Off
11:1	218-461	1	Nut-HH
11:2	3254-5	1	Washer-Tooth, Internal
12	32128-17	2	Nut-Lock, Flange
13	1-323143	1	Bearing-Nylon
14	3218-2	1	Nut-Jam
15	1-323134	1	Knob-Push / Pull
16	106-5485	1	LH Operator Presence Control Lever ASM

Ref.	Part Number	Qty.	Description
17	104-9838	2	Grip-Foam
18	3234-11	4	Screw-HHF
19	32128-21	4	Nut-HF
20	321-3	2	Screw-HH
21	322-10	2	Screw-HH
22	1-603716	1	Washer-Friction
23	1-323244	2	Washer-Friction
24	1-603730	1	Plate-Lever, Shifter
25	1-806003	3	Pin-Cotter, Hair
26	32128-33	2	Nut-HF
28	106-2748	1	Lever-Shift
29	1-323245	2	Spring-Compression
30	3296-29	2	Nut-Lock, NI
31	1-323522	1	Rod-Control, Speed
32	3220-2	1	Nut-Jam
33	1-303105	1	Yoke-Adjustable
34	1-808280	1	Pin-Clevis
35	3256-23	1	Washer-Flat
38	1-323181	1	Linkage-Blade
39	1-323142	1	Nut-Push
40	110-5547	1	Control Lever ASM



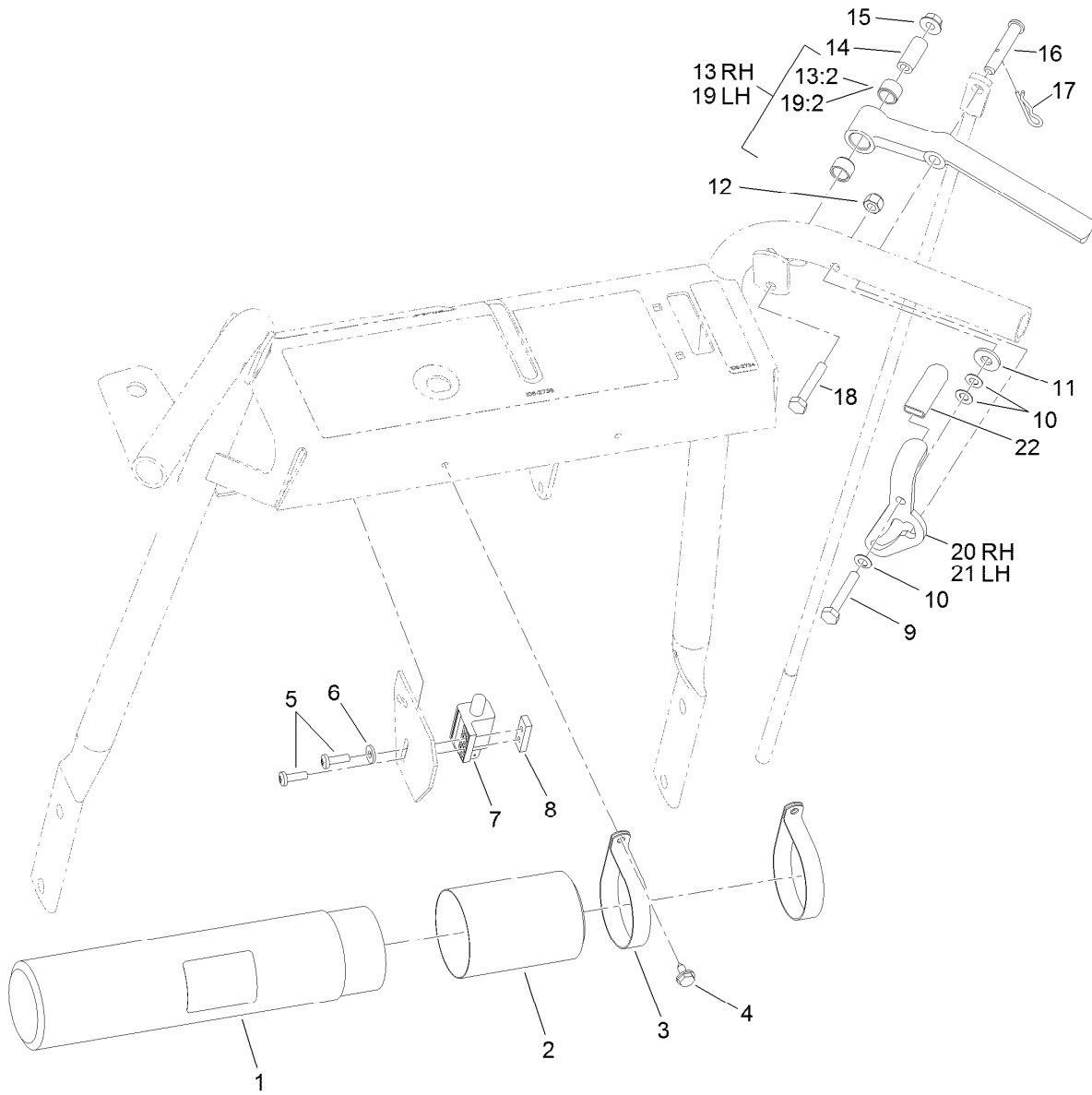
Upper Control Assembly (continued)

<i>Ref.</i>	<i>Part Number</i>	<i>Qty.</i>	<i>Description</i>
41	1-303287	3	Tie-Cable
99	116-2611	1	Harness-Wiring



Handle Assembly No. 119-6538

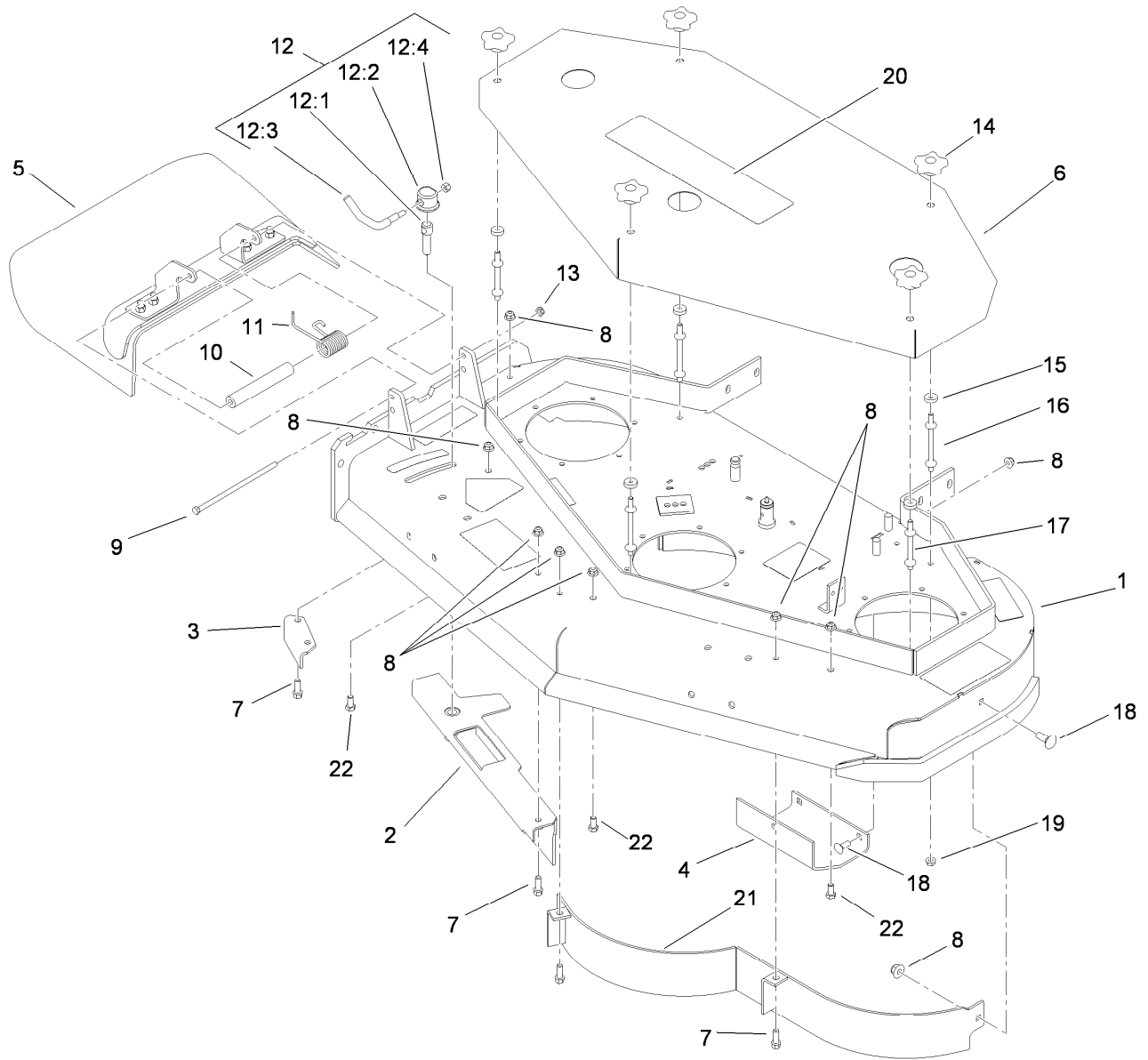
<i>Ref.</i>	<i>Part Number</i>	<i>Qty.</i>	<i>Description</i>
2	105-4110	2	Decal-Lock, Neutral
3	106-2738	1	Decal-Warning
4	106-2733	1	Decal-Throttle
5	110-6917	1	Decal
6	95-5537	1	Decal-Engage, Deck
7	106-2743	1	Decal-Caution, Brake



Drive Lever Assembly

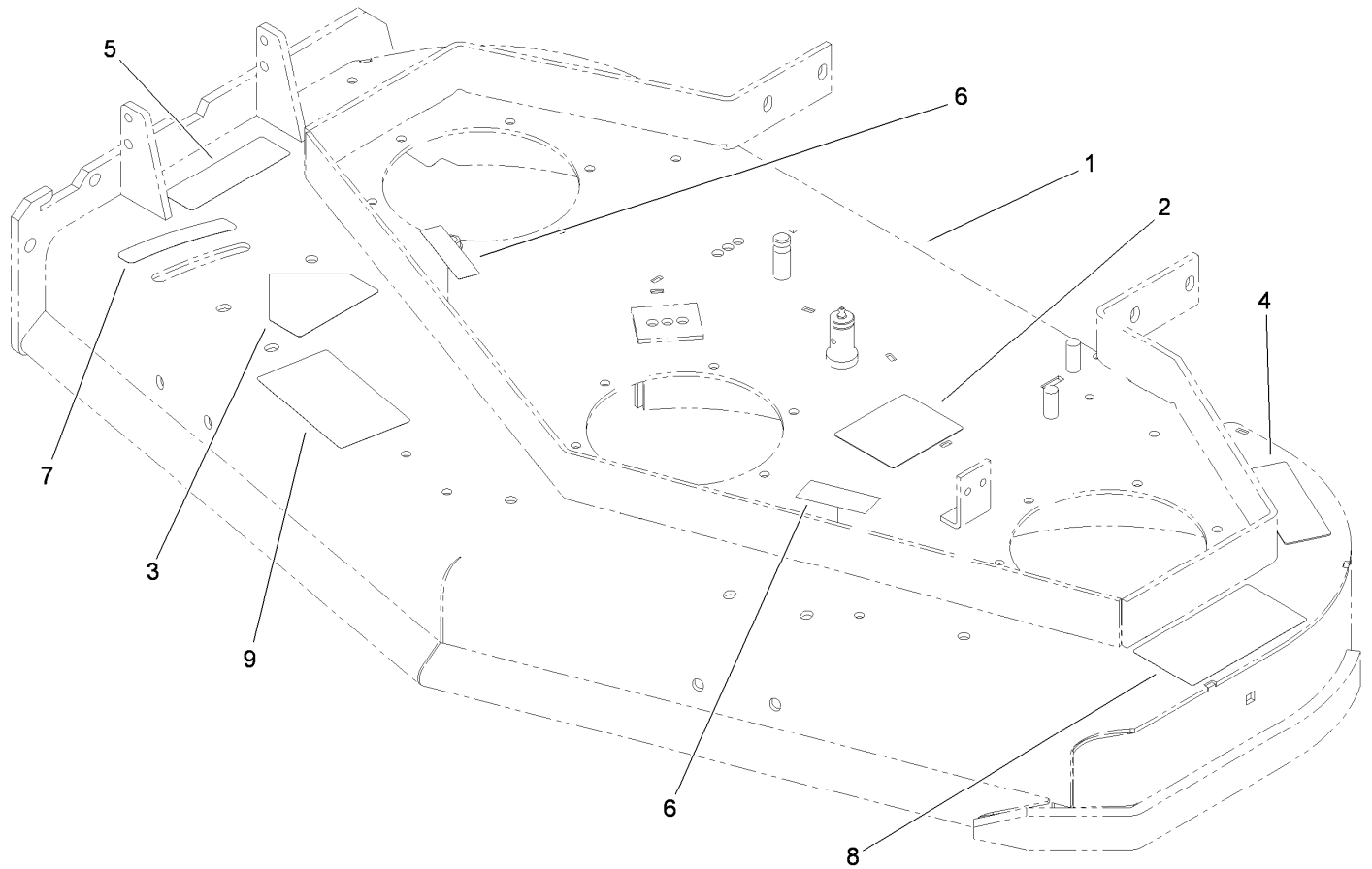
Ref.	Part Number	Qty.	Description
1	104-7050	1	Tube-Manual
2	104-7048	1	Cap-Housing
3	2412-120	2	R-Clamp
4	32104-76	2	Screw
5	3290-500	2	Screw-PPH
6	3256-14	1	Washer-Flat
7	1-513051	1	Switch-Open, Normally
8	1-633181	1	Plate-Tapped
9	321-10	2	Screw-HH
10	1-303435	6	Washer-Spring
11	3256-2	2	Washer-Flat
12	3296-42	2	Nut-Lock, NI

Ref.	Part Number	Qty.	Description
13	103-0219	1	RH Drive Lever ASM
13:2	1-413152	2	Bushing-Sleeve
14	1-603749	2	Bushing-Lever, Drive
15	32128-33	2	Nut-HF
16	1-613055	2	Pin-Clevis
17	1-806003	2	Pin-Cotter, Hair
18	321-9	2	Screw-HH
19	103-0218	1	LH Drive Lever ASM
19:2	1-413152	2	Bushing-Sleeve
20	1-612168	1	RH Grip / Latch ASM
21	1-612167	1	LH Grip / Latch ASM
22	1-303019	2	Grip-Latch



Deck Assembly

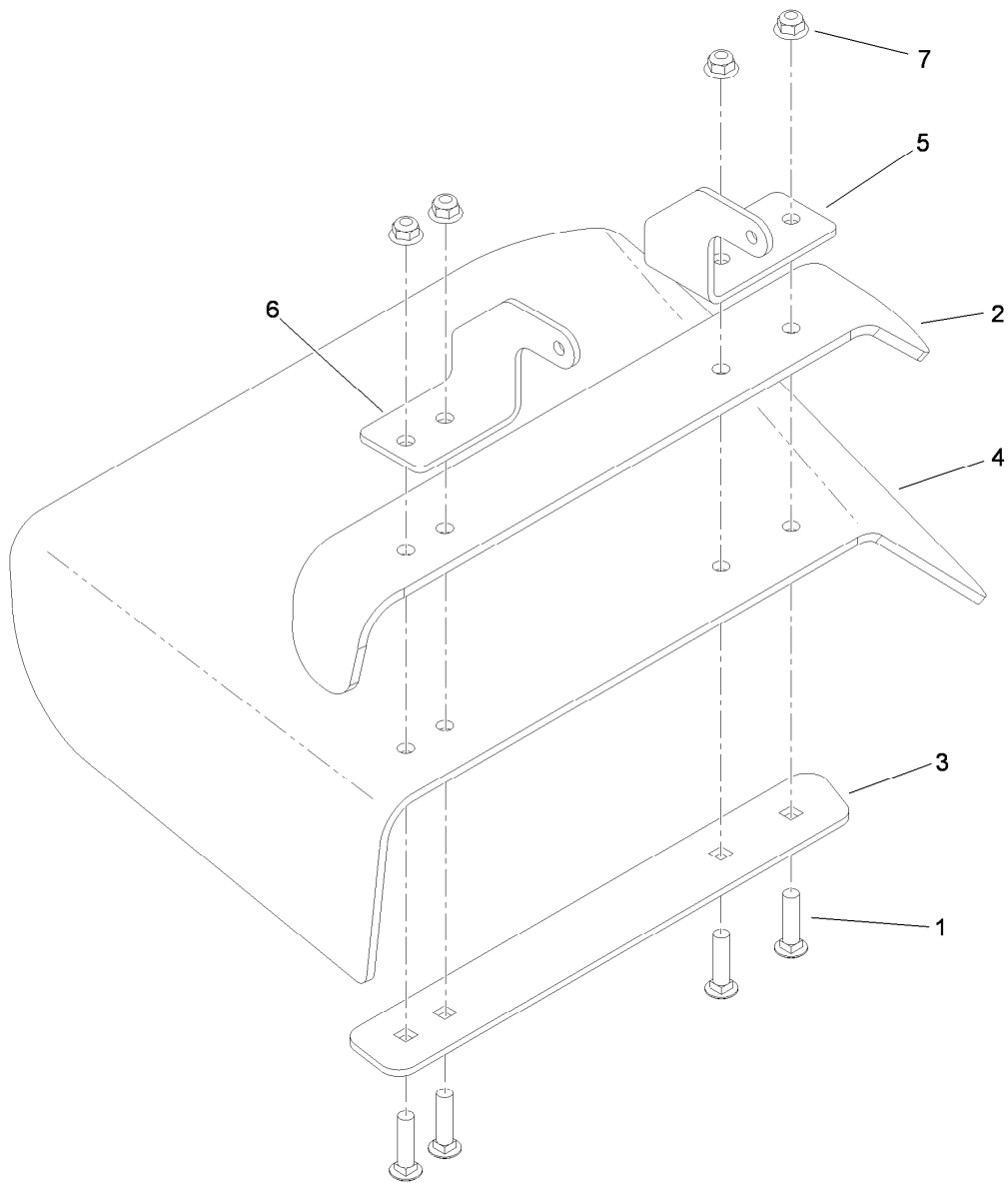
<i>Ref.</i>	<i>Part Number</i>	<i>Qty.</i>	<i>Description</i>	<i>Ref.</i>	<i>Part Number</i>	<i>Qty.</i>	<i>Description</i>
1	110-4909	1	Deck ASM	12:2	107-1644	1	Cap-Lock
2	110-0533-03	1	Baffle-Adjustable	12:3	106-3241	1	Lever-Lock
3	110-0744-01	1	Baffle-Discharge	12:4	3296-29	1	Nut-Lock, NI
4	107-3166-01	1	Skid	13	3296-47	1	Nut-Lock, NI
5	110-0758	1	Deflector ASM	14	106-4161	5	Knob-Handle
6	110-2119-01	1	Cover	15	1-323417	5	Washer
7	92-1624	5	Screw-HWH	16	1-303536	3	Stud-Shield, Belt (Long)
8	104-8301	12	Nut-Flange, NI	17	1-303537	2	Stud-Shield, Belt (Short)
9	322-50	1	Screw-HH	18	3231-2	4	Screw-CARR
10	105-4622	1	Spacer	19	32128-20	5	Nut-HF
11	104-8554	1	Spring-Torsion	20	112-9712	1	Decal
12	107-1664	1	Lever ASM	21	110-0735-03	1	Baffle ASM
12:1	106-3239	1	Screw-Lock	22	323-4	3	Screw-HH



Deck Decal Assembly No. 110-4909

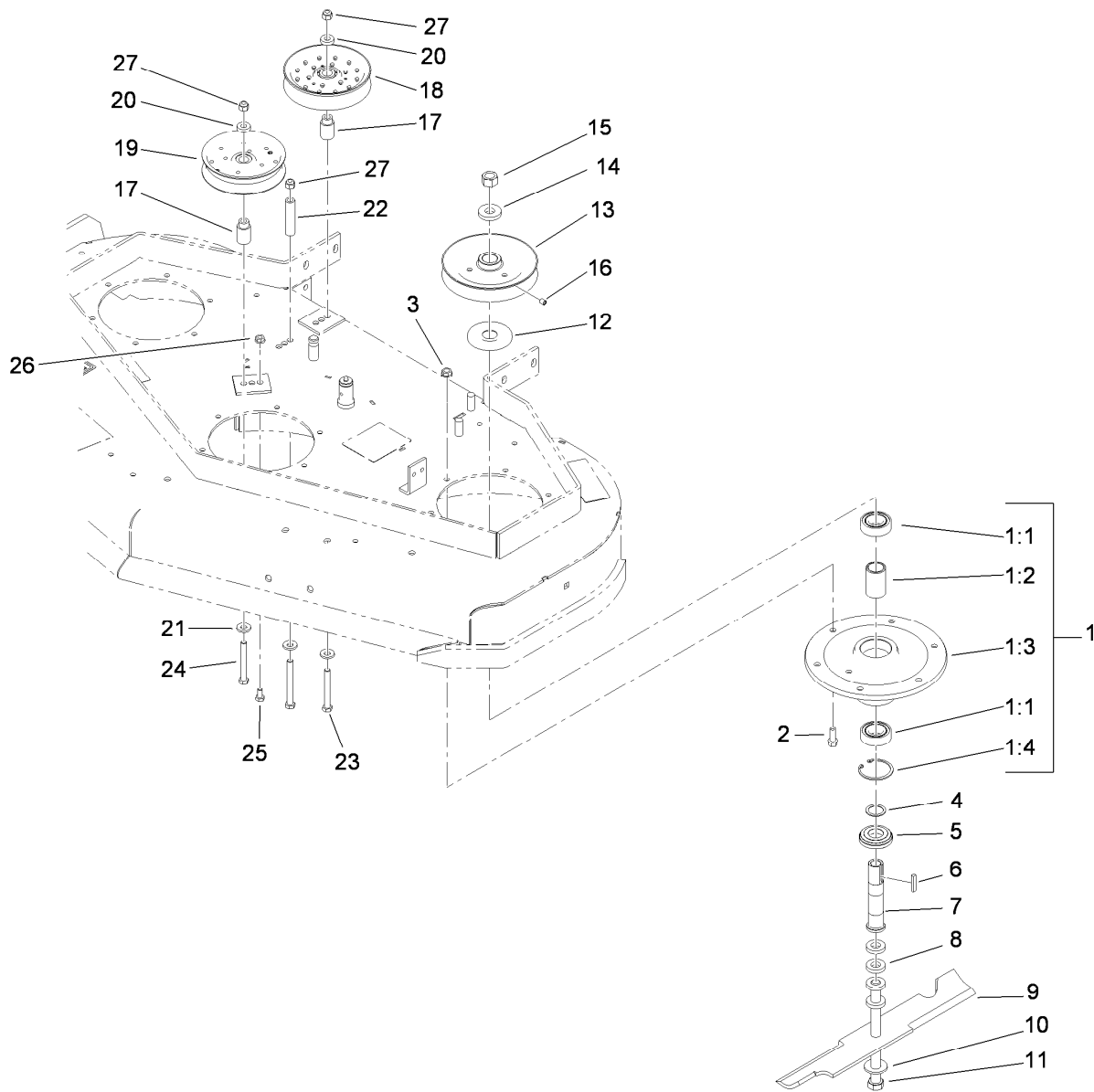
<i>Ref.</i>	<i>Part Number</i>	<i>Qty.</i>	<i>Description</i>
1		1	48 Inch Deck ASM ●
2	99-3943	1	Decal-Routing, Belt
3	43-8480	1	Decal-Danger
4	98-5130	1	Decal-Torque, Bolt
5	104-8569	1	Decal-Warning
6	98-5954	2	Decal-Cover, Missing
7	110-2067	1	Decal-Setting, Baffle
8	66-1340	1	Decal-Danger, Thrown Object
9	110-2068	1	Decal-Adjustment, Baffle

● Not serviced separately



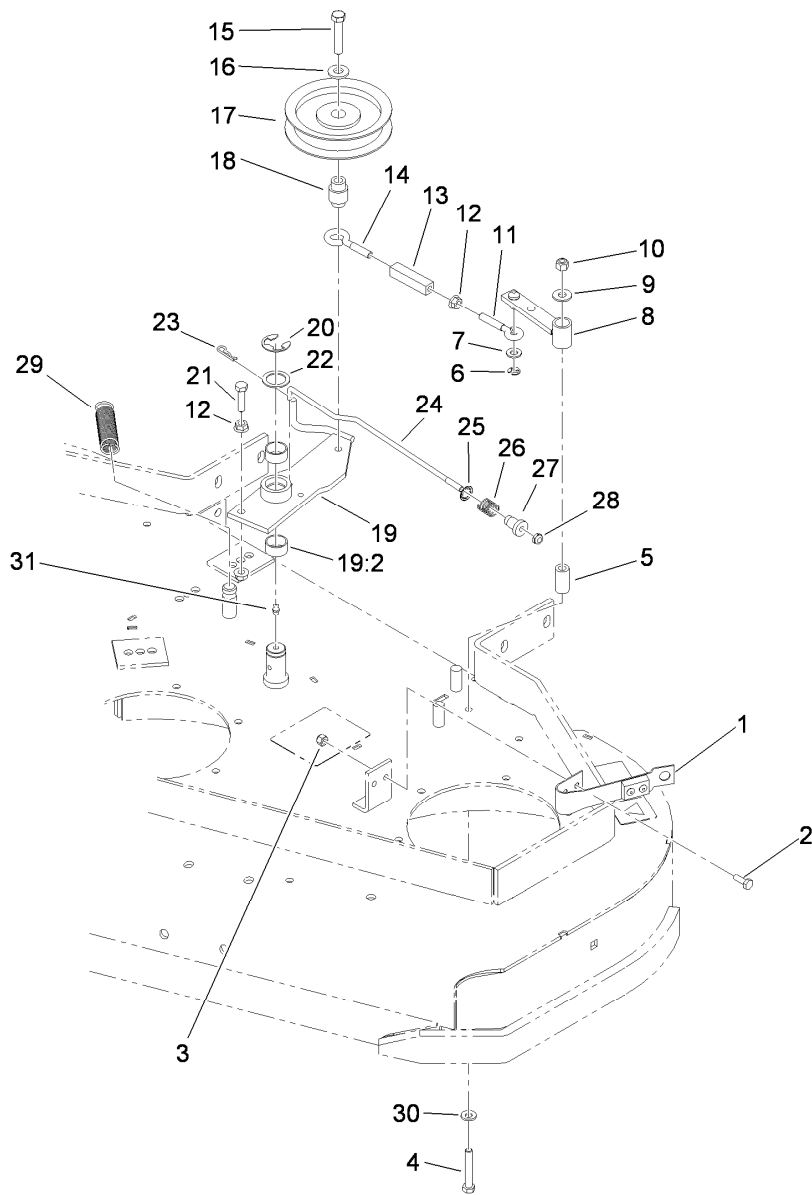
Deflector Assembly No. 110-0758

<i>Ref.</i>	<i>Part Number</i>	<i>Qty.</i>	<i>Description</i>
1	3231-4	4	Screw-CARR
2	106-3246-01	1	Deflector
3	106-3248-03	1	Strap-Discharge
4	110-0759	1	Deflector-Rubber
5	107-4197-01	1	Bracket-Hinge, Rear
6	107-4196-01	1	Bracket-Hinge, Front
7	104-8301	4	Nut-Flange, NI



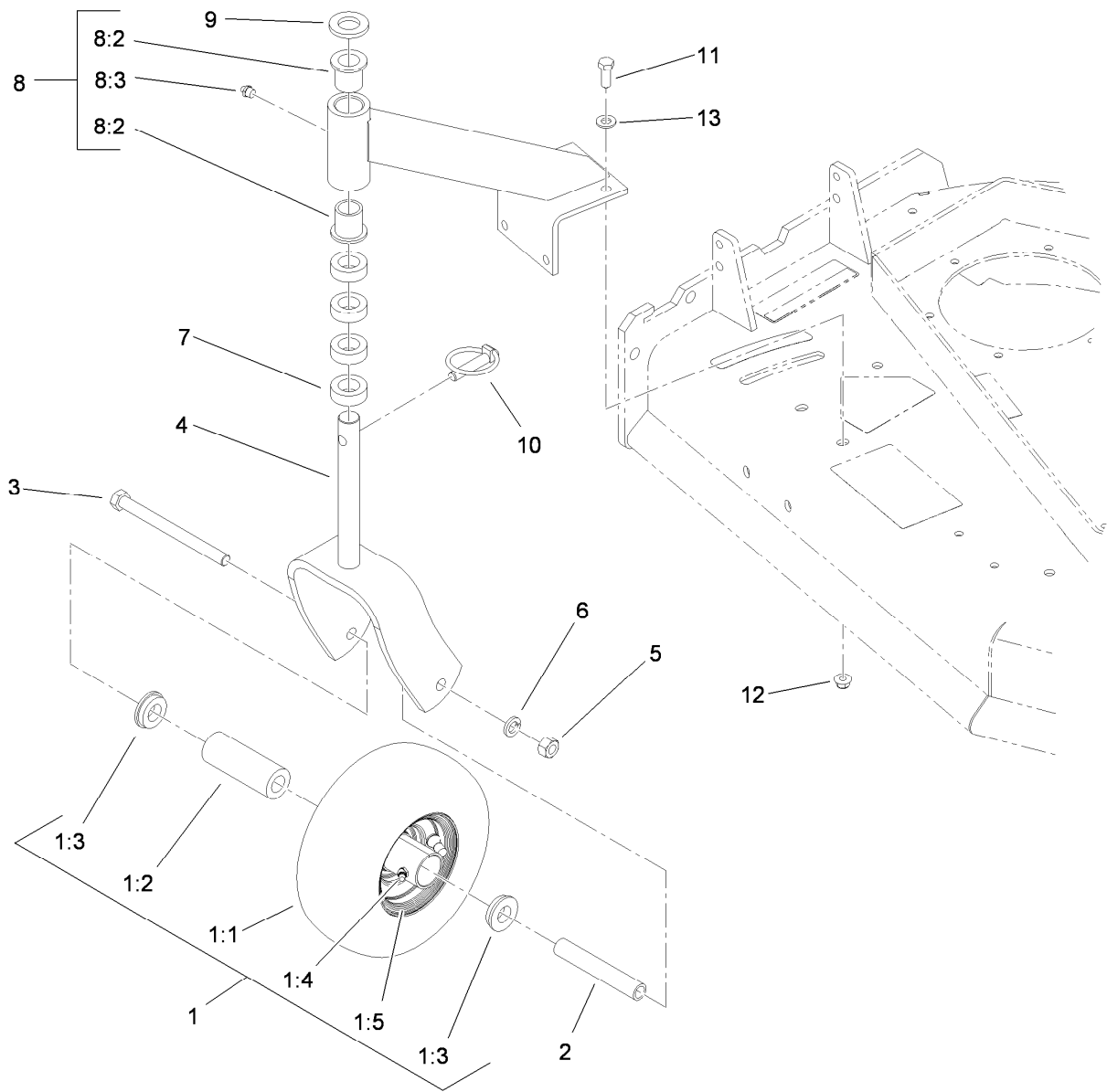
Sheave, Spindle and Blade Assembly

Ref.	Part Number	Qty.	Description	Ref.	Part Number	Qty.	Description
1	108-6697	3	Spindle Housing ASM	13	1-403183	3	Sheave
1:1	110-2118	2	Bearing	14	1-323339	3	Washer-Retainer, Sheave
1:2	110-2116	1	Spacer-Bearing	15	3219-6	3	Nut-Hex
1:3	108-6694	1	Housing-Spindle	16	1-803310	3	Screw-Set
1:4	32120-8	1	Ring-Snap	17	1-413113	2	Bushing-Idler
2	92-1624	18	Screw-HWH	18	1-403186	1	Idler-Pulley, Flat
3	104-8301	18	Nut-Flange, NI	19	1-613098	1	Pulley-Idler
4	110-4888	3	Washer-Spacer	20	5-0652	2	Spacer
5	103-2535	3	Spacer-Guard, Bottom	21	98-5975	3	Washer-Belleville
6	1-807267	3	Key	22	1-403188	1	Spacer
7	1-323529	3	Tube-Spindle, Short	23	323-15	1	Screw-HH
8	1-323539	12	Spacer	24	323-14	2	Screw-HH
9	107-3192-03	3	Blade-16.5 Inch (High Flow)	25	322-2	1	Screw-HH
10	1-513208	3	Washer-Spring	26	32128-20	1	Nut-HF
11	1-800861	3	Screw-Cap, HH	27	3296-39	3	Nut-Lock, NI
12	103-1330	3	Guard-Bearing, Top				



Idler Assembly

<i>Ref.</i>	<i>Part Number</i>	<i>Qty.</i>	<i>Description</i>	<i>Ref.</i>	<i>Part Number</i>	<i>Qty.</i>	<i>Description</i>
1	1-324372	1	Pad And Spring ASM	17	1-603843	1	Pulley-Idler
2	321-4	2	Screw-HH	18	1-303434	1	Bushing-Engagement
3	3296-42	2	Nut-Lock, NI	19	103-3600	1	Idler Arm ASM
4	322-10	1	Screw-HH	19:2	1-323729	2	Sleeve-Bearing
5	1-403179	1	Tube-Pivot	20	32151-103	1	Ring-Retaining, EXT
6	32120-35	1	Ring-Retaining, EXT	21	322-6	1	Screw-HH
7	3256-23	1	Washer-Flat	22	1-303352	1	Washer-Spindle
8	1-322235	1	Arm-Assist	23	1-806003	1	Pin-Cotter, Hair
9	3256-3	1	Washer-Flat	24	110-4932	1	Rod-Brake
10	3296-29	1	Nut-Lock, NI	25	1-323748	1	Ring-Push On
11	1-303238	1	Eyebolt-Thread, RH	26	1-323747	1	Spring-Compression
12	32128-20	3	Nut-HF	27	1-323746	1	Spacer-Flanged
13	1-303236	1	Body-Turnbuckle	28	3296-56	1	Nut-Lock, NI
14	1-303348	1	Eyebolt-Thread, LH	29	1-323071	1	Spring-Extension
15	702809	1	Screw-HH	30	1-303334	1	Washer-Spring
16	98-5975	1	Washer-Belleville	31	302-19	1	Fitting-Grease



Caster Assembly

Ref.	Part Number	Qty.	Description
1	110-5023	2	Wheel And Tire ASM
1:1		1	Tire ●
1:2	1-513809	1	Bearing
1:3	1-513810	2	Bushing
1:4	302-61	1	Fitting-Grease
1:5		1	Wheel ●
2	1-513547	2	Spacer
3	325-20	2	Screw-HH
4	1-322145-01	2	Fork
5	3217-9	2	Nut-HH

Ref.	Part Number	Qty.	Description
6	3253-7	2	Washer-Lock
7	1-303314	8	Spacer-Caster
8	110-2130	2	Support ASM
8:2	1-303514	2	Bearing-Flanged
8:3	302-52	1	Fitting-Grease
9	1-513338	2	Washer-Flat
10	1-809020	2	Pin
11	323-6	8	Screw-HH
12	104-8301	8	Nut-Flange, NI
13	3256-24	8	Washer-Flat

● Not serviced separately

Attachments and Accessories

For 39938 Commercial Walk-Behind Mower Fixed Deck, Pistol Grip, Hydro Drive with 48in TURBO FORCE Cutting Unit

Product Name	Model/Part
Blade-Low Flow, 16.5 inch	107-3193-03
Blade-Mid Flow, 16.5 inch.....	107-3194-03
Blade-Atomic, 16.5 inch.....	107-3195-03
Blade-Recycling, 16.5 inch	107-3196-03
Bagging Enhancement Kit	108-4091
Blade-Hi Flow, 16.5 inch (6 Pack)	110-0414
Blade-Lo Flow, 16.5 inch (6 Pack)	110-0415
Blade-Recycler, 16.5 inch (6 Pack).....	110-0416
Blade-Atomic, 16.5 inch (6 Pack).....	110-0417
Blade-Mid Flow, 16.5 inch (6 Pack).....	110-0418
48 inch Recycler Kit	110-2060
Operator Controlled Discharge Chute Kit.....	115-4195
Soft Bag (3 Bushel).....	30104
Sulky.....	30109

Notes:

Notes:



Count on it.