



Count on it.

Parts Catalog

Commercial Walk-Behind Mower
Fixed Deck, T-Bar, Gear Drive with 32in
Cutting Unit

Model No. 30672—Serial No. 311000001 and Up

Ordering Replacement Parts

To order replacement parts, please supply the part number, the quantity, and the description of each part desired.

Understanding Reference Numbers

Each identified part in an illustration has a reference number. The reference number for a part also appears in the parts list, along with other information about the part.

This catalog uses two special reference number formats, one to indicate parts in a service assembly and another to indicate the quantity of a given part in an illustration.

Service Assembly Reference Numbers

Parts in service assemblies have reference numbers in the form a:b. The a represents the reference number of the entire service assembly and the b represents a sequential number unique to each part within the service assembly.

For example, a wheel assembly might be identified by reference number 6, the tire by 6:1, the valve by 6:2, and the wheel by 6:3. When you order the assembly identified by reference number 6, you receive all parts identified by reference numbers 6:1, 6:2, and 6:3. However, you may also order any part individually. Reference numbers of this type appear in illustration and in parts lists.

Reference Numbers Indicating Quantity

In an illustration, if a reference number indicates more than one part, the reference number has the form nX y. The n represents the quantity of the part, the X is the multiplication symbol, and the y represents the reference number.

For example, in an illustration, the reference number 2X 37 means that two of the parts identified by reference number 37 are indicated.

List of Abbreviations

AR: as required

ASM: assembly

BBC: blade brake control

BHTF: button head thread forming

CARR: carriage

CCW: counter clockwise

CW: clockwise

DEG: degrees

DPA: Dual Point Adjustment

ECM: electronic control module

EXT: external

FH: flat head

GA: gauge

HD: heavy-duty

HF: hex flange

HH: hex head

HHF: hex head flange

HHFTF: hex head flange thread forming

HJ: hex jam

HLH: hex lag head

HOC: height-of-cut

HSBH: hex socket button head

HSFH: hex socket flat head

HSH: hex socket head

HWH: hex washer head

HWTF: hex washer head thread forming

HYD: hydraulic

LH: left hand

LP: Liquid Propane

NI: nylon insert

NPTF: national pipe thread fine

PFH: phillips flat head

PPH: phillips pan head

PPHTF: phillips pan head thread forming

PRH: phillips round head

PTH: phillips truss head

PTO: power-take-off

RH: right hand

ROPS: roll-over protection system

RRB: rear roller brush

SFH: slotted fillister head

SHH: slotted hex head

SHWH: slotted hex washer head

SPH: slotted pan head

SQH: square head

SRH: slotted round head

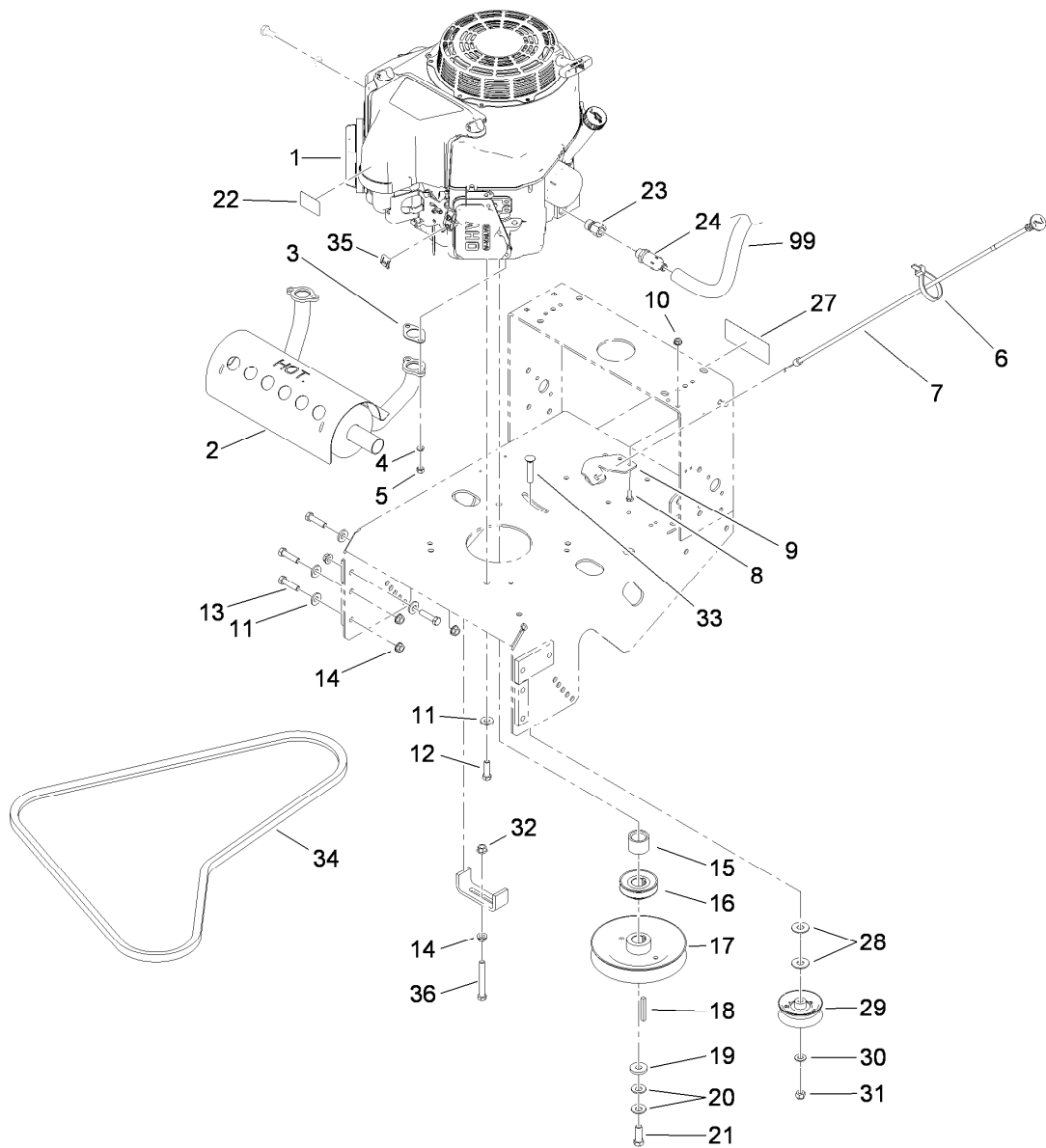
STD: standard

TAP: self tapping

TTH: torx truss head

Contents

Engine and Exhaust Assembly.....	4
Fuel System Assembly	5
Frame and Transmission Assembly	6
Drive Wheel and Brake Assembly	7
Handle and Control Assembly	9
Wire Harness Assembly	10
Deck and Shield Assembly	11
Deck Decal Assembly No. 110-6901.....	12
Deflector Assembly No. 119-6529.....	13
Idler Arm and Caster Wheel Assembly	14
Spindle and Blade Assembly	16
Attachments and Accessories	17



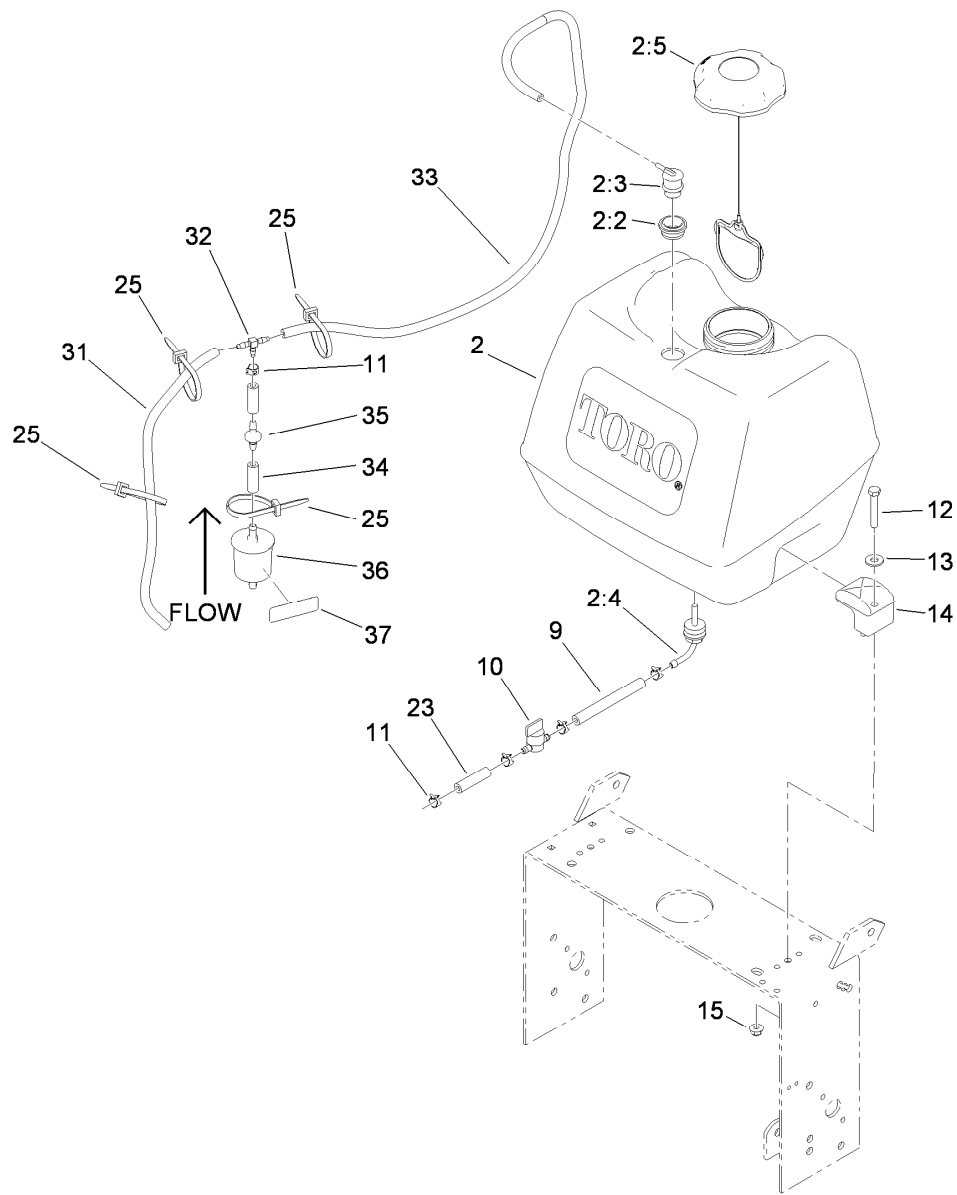
Engine and Exhaust Assembly

Ref.	Part Number	Qty.	Description
1		1	Engine-Kawasaki, Fs481V-As06 ●■
2	116-4396	1	Muffler-Horizontal, Offset
3	1-653313	2	Gasket-Exhaust
4	114-3550	4	Washer-Lock, Spring
5	114-3549	4	Nut
6	1-303287	1	Tie-Cable
7	103-1796	1	Cable-Choke
8	321-3	2	Screw-HH
9	103-1797-01	1	Bracket-Cable, Choke
10	32128-33	2	Nut-HF
11	98-5975	12	Washer-Belleville
12	323-7	4	Screw-HH
13	323-8	8	Screw-HH
14	3290-357	9	Nut-HHF, Whiz
15	1-633453	1	Spacer-Clutch
16	103-1666	1	Sheave-Transmission
17	103-1667	1	Sheave

Ref.	Part Number	Qty.	Description
18	103-4177	1	Key
19	1-373034	1	Washer
20	1-603610	2	Washer-Spring
21	116-3702	1	Screw-HH
22	103-2076	1	Decal-Caution
23	103-1966	1	Adapter
24	92-6877	1	Valve-Drain, Oil
27	98-0776	1	Decal-Caution
28	3256-5	2	Washer-Flat
29	1-323285	1	Pulley-Idler, Flat
30	3256-24	1	Washer-Flat
31	3296-39	1	Nut-Lock, NI
32	32128-21	1	Nut-HF
33	3231-6	1	Screw-CARR
34	1-323745	1	Belt-V
35	81-1690	1	Clamp-Cable
36	323-14	1	Screw-HH
99	103-1964	1	Hose-Drain, Oil

● Not serviced separately

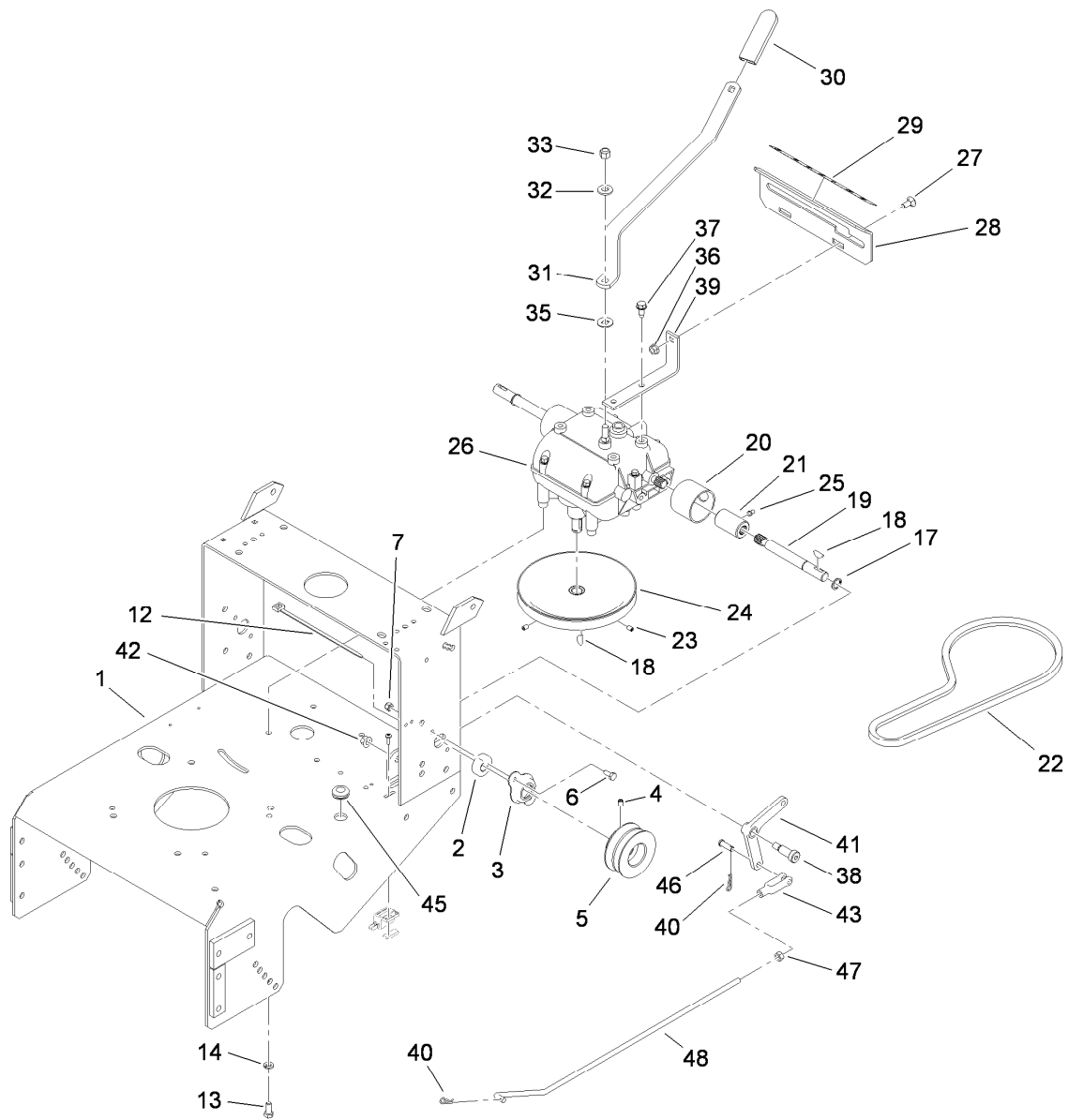
■ Obtain parts from www.kawpowerepc.com



Fuel System Assembly

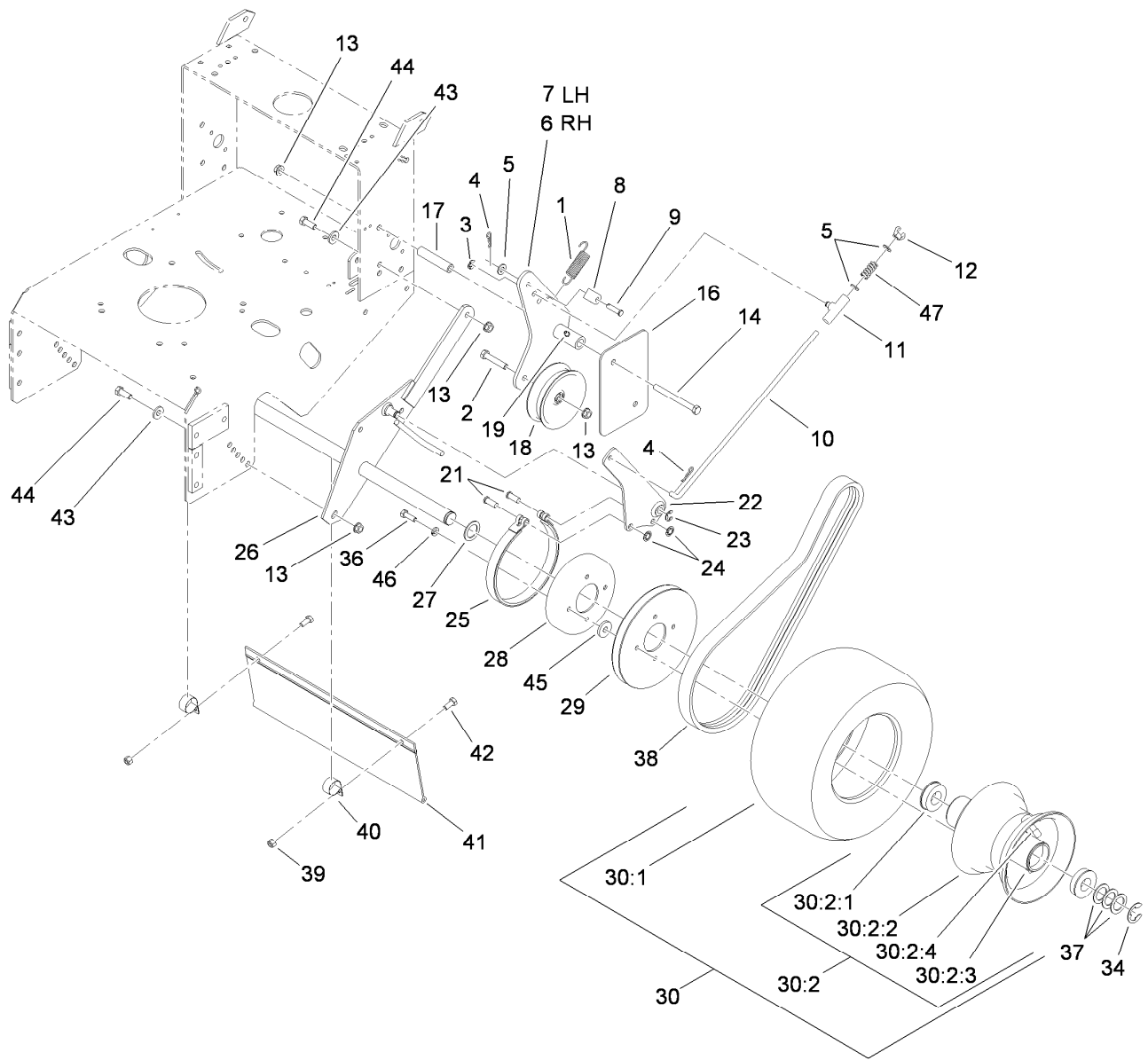
Ref.	Part Number	Qty.	Description
2	119-7899	1	Fuel Tank ASM
2:2	119-6549	1	Grommet-Valve, Roll Over
2:3	114-0285	1	Valve-Rollover
2:4	103-2605	1	Fitting-Fuel, Bulkhead
2:5	115-4465	1	Cap-Fuel, Ratcheting
9	109-0650	1	Hose-Fuel
10	1-603770	1	Valve-Fuel
11	2412-98	5	Clamp
12	322-10	2	Screw-HH
13	3256-3	2	Washer-Flat
14	107-4543	2	Clamp

Ref.	Part Number	Qty.	Description
15	104-8300	2	Nut-Flange, NI
23	99-9415	1	Hose-Fuel
25	3290-378	4	Tie-Cable
31	115-7872	1	Hose-Fuel
32	120-2234	1	Fitting-Tee
33	116-4346	1	Hose-Emissions
34	106-9492	2	Hose-Fuel
35	99-5000	1	Valve-Check, Fuel
36	120-2235	1	Filter-Air
37	116-4769	1	Decal-Filter, Emissions



Frame and Transmission Assembly

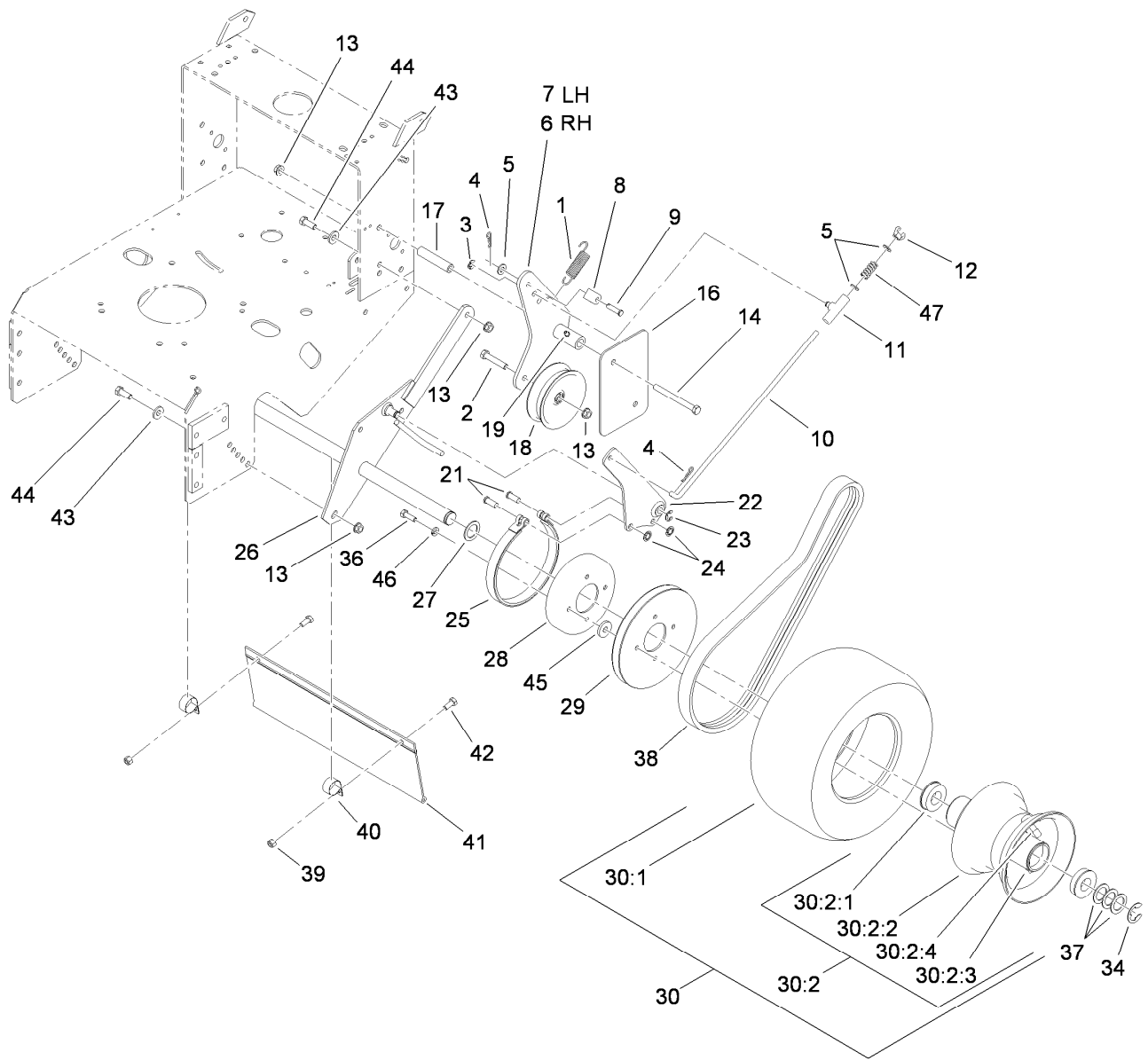
Ref.	Part Number	Qty.	Description	Ref.	Part Number	Qty.	Description
1	117-3521-01	1	Gear Frame ASM	27	3230-1	2	Bolt-CARR
2	1-323252	2	Bearing-Shaft	28	1-323387-03	1	Plate-Shift
3	1-323254	2	Flange-Output	29	98-3256	1	Decal-Speed, Ground
4	1-803310	2	Screw-Set	30	1-303020	1	Grip-Lever
5	103-6512	2	Sheave-Transmission	31	98-3274-03	1	Lever-Shift
6	321-3	4	Screw-HH	32	98-5975	1	Washer-Belleville
7	3296-42	4	Nut-Lock, NI	33	3296-6	1	Nut-Lock
12	1-303287	1	Tie-Cable	35	1-323379	1	Washer
13	322-3	4	Screw-HH	36	32128-20	2	Nut-HF
14	1-805005	4	Washer-Lock	37	9264964	4	Screw-HWH, Thread Cut
17	32151-62	2	Ring-Retaining	38	1-603403	1	Bolt-Shoulder
18	3257-5	3	Key-Woodruff	39	1-323389-03	2	Bracket-Plate, Shift
19	1-323502	2	Shaft-Transmission	40	1-806003	2	Pin-Cotter, Hair
20	51-4220	2	Guard-Coupler	41	1-303186	1	Bellcrank
21	1-323680	2	Coupler	42	32128-21	1	Nut-HF
22	1-323630	1	V-Belt	43	1-303105	1	Yoke-Adjustable
23	3245-41	2	Screw-HSH	45	1-543296	1	Grommet
24	1-323278	1	Sheave-Transmission	46	1-808280	1	Pin-Clevis
25	302-19	2	Fitting-Grease	47	3219-2	1	Nut-Hex
26	1-323500	1	Transmission	48	1-323303	1	Linkage-Arm



Drive Wheel and Brake Assembly

Ref.	Part Number	Qty.	Description	Ref.	Part Number	Qty.	Description
1	98-3273	2	Spring-Extension	22	1-322209-03	2	Brake Arm ASM
2	323-10	2	Screw-HH	23	32120-47	2	Ring-Retaining, External
3	32151-47	2	Ring-Retaining	24	1-803051	4	Nut-Push
4	1-806003	4	Pin-Cotter, Hair	25	1-323595	2	Band-Brake
5	3256-23	4	Washer-Flat	26	1-322232-03	1	Axle ASM
6	110-4925-03	1	RH Idler Arm ASM	27	1-543436	2	Washer-Spacer
7	110-4926-03	1	LH Idler Arm ASM	28	1-323261	2	Drum-Brake
8	74-0521	2	Fitting-Rod	29	1-323349	2	Sheave-Wheel, Drive
9	283-6	2	Pin-Clevis	30	1-323346	2	Wheel And Tire ASM
10	1-323296	2	Rod-Brake	30:1	1-323361	1	Tire
11	110-5866	2	Swivel-Brake	30:2	1-323360	1	Wheel And Hub ASM
12	1-513959	2	Wingnut-Nylock	30:2:1	1-323329	2	Bearing-Flanged
13	3290-357	10	Nut-HHF, Whiz	30:2:2		1	Rim ASM ●
14	323-16	4	Screw-HH	30:2:3		1	Fitting-Grease ●
16	98-5131-01	2	Shield-Wheel, Drive	30:2:4		1	Valve Stem And Cap ●
17	1-323694	4	Spacer-Shield	34	1-808519	2	Ring-Snap
18	1-323634	2	Idler-Drive, Wheel	36	322-5	8	Screw-HH
19	302-19	2	Fitting-Grease	37	1-523157	6	Washer-Spacer
21	1-323307	4	Pin-Clevis	38	1-323744	2	Belt-Drive, Wheel

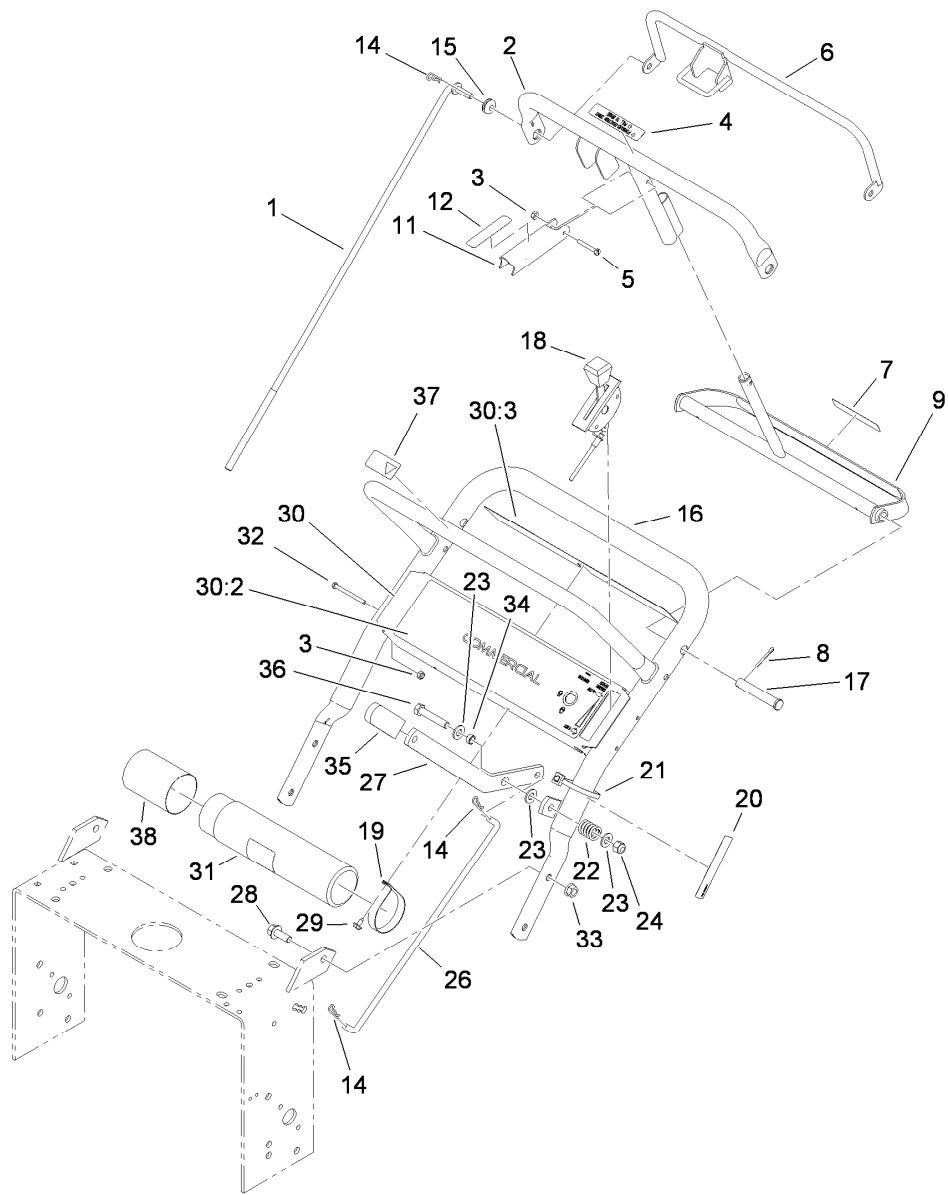
● Not serviced separately



Drive Wheel and Brake Assembly (continued)

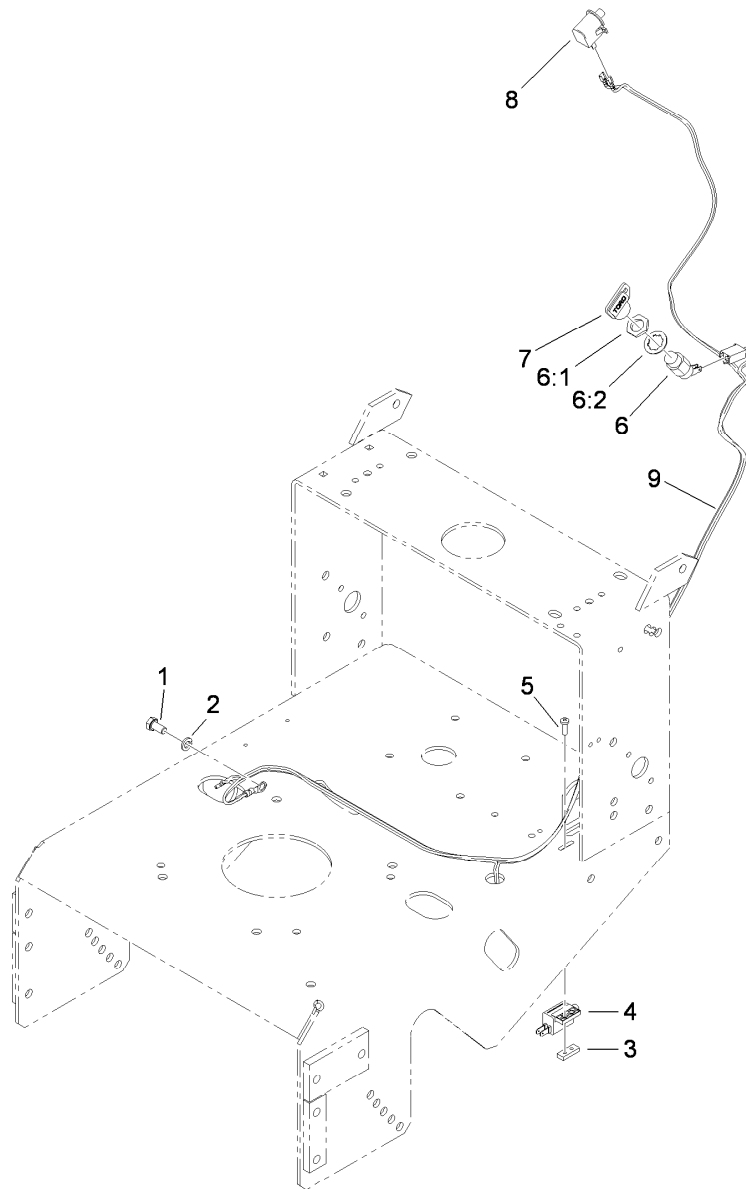
Ref.	Part Number	Qty.	Description	Ref.	Part Number	Qty.	Description
39	3296-29	2	Nut-Lock, NI	44	323-6	4	Screw-HH
40	2412-104	2	Clamp-R	45	1-373034	8	Washer
41	98-3259	1	Shield-Trailing	46	1-805005	8	Washer-Lock
42	322-3	2	Screw-HH	47	1-323245	2	Spring-Compression
43	98-5975	4	Washer-Belleville				

● Not serviced separately



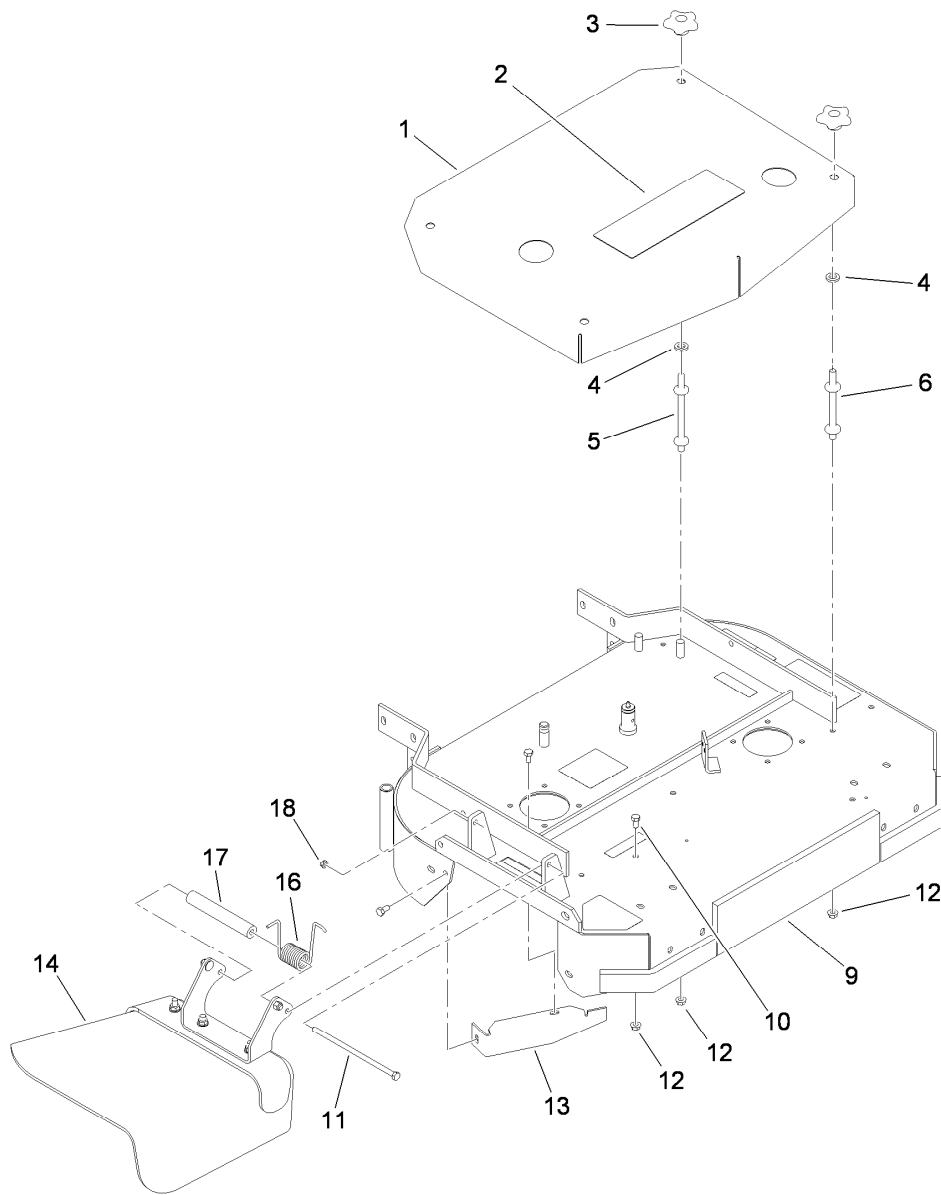
Handle and Control Assembly

Ref.	Part Number	Qty.	Description	Ref.	Part Number	Qty.	Description
1	98-3282	2	Rod-Control	22	1-303160	1	Spring-Compression
2	95-5522-03	1	Control Bar ASM	23	3256-24	3	Washer-Flat
3	3296-2	5	Nut-Lock, NI	24	3296-39	1	Nut-Lock, NI
4	82-2290	1	Decal	26	98-3279	1	Linkage-Drive, Blade
5	32105-1	1	Screw-SHH	27	98-3287-03	1	Lever-Engagement, Blade
6	82-7680-03	1	Bail ASM	28	3234-11	4	Screw-HHF
7	82-2280	1	Decal	29	32104-76	2	Screw
8	3272-11	2	Pin-Cotter	30	110-6905	1	Control Panel ASM
9	99-8501-03	1	Control-Pivot	30:2	110-6916	1	Decal-Panel, Control
11	98-3261-03	1	Lever-Brake, Parking	30:3	105-0884	1	Decal-Danger
12	98-3266	1	Decal	31	104-7050	1	Tube-Manual
14	1-806003	3	Pin-Cotter, Hair	32	32105-14	4	Screw-SHH
15	237-141	2	Grommet-Rubber	33	32128-21	4	Nut-HF
16	98-3267-03	1	Upper Handle ASM	34	99-8509	1	Spacer
17	283-55	2	Pin-Clevis	35	1-303020	1	Grip-Lever
18	119-6539	1	Cable-Throttle	36	323-10	1	Screw-HH
19	2412-120	2	R-Clamp	37	98-4387	1	Decal-Protection, Ear
20	95-5537	1	Decal-Engage, Deck	38	104-7048	1	Cap-Housing
21	1-303335	2	Tie-Plastic				



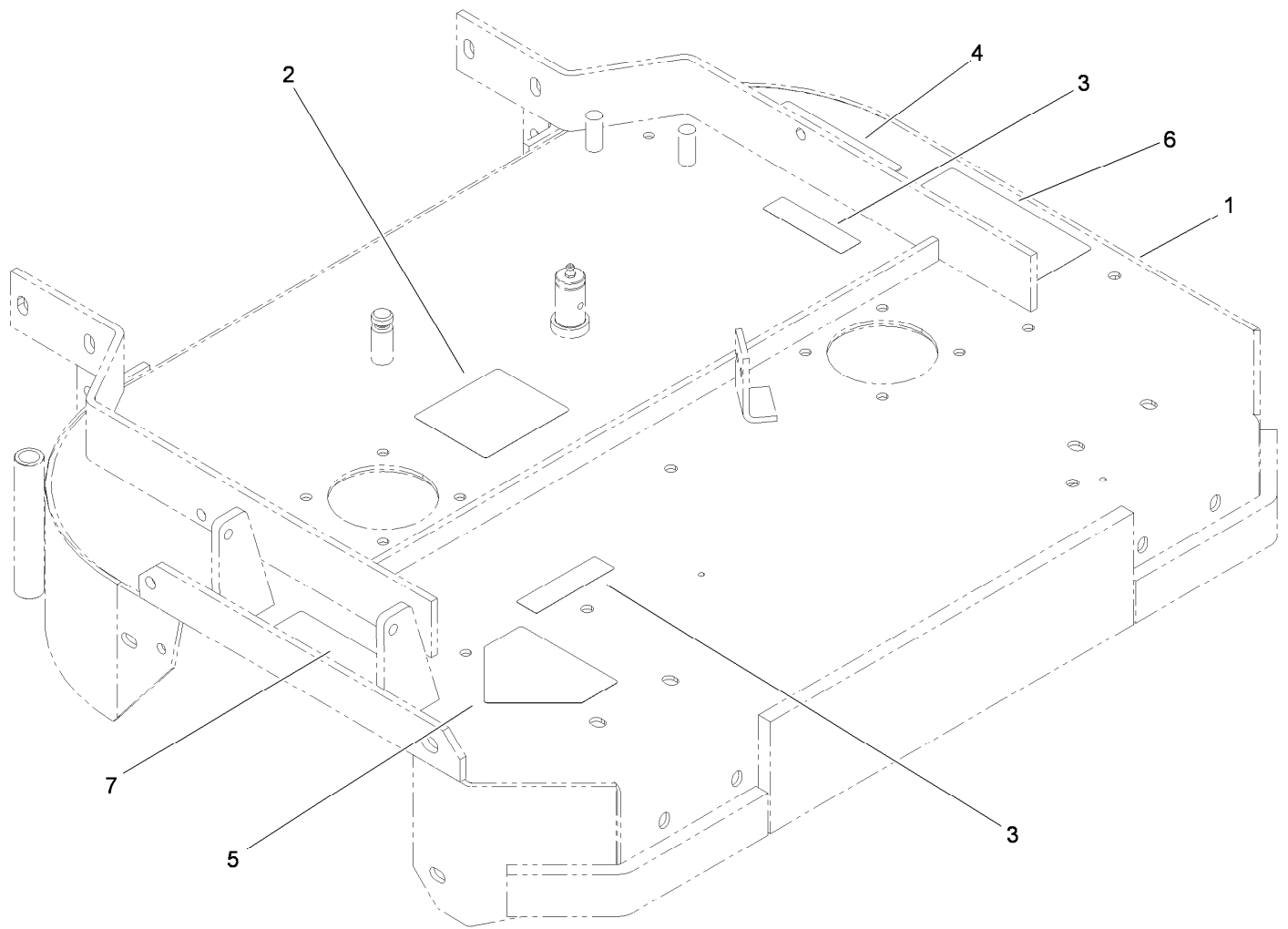
Wire Harness Assembly

<i>Ref.</i>	<i>Part Number</i>	<i>Qty.</i>	<i>Description</i>
1	33114-016	1	Screw-HH
2	3253-4	1	Washer-Lock
3	1-633181	1	Plate-Tapped
4	1-513152	1	Switch-Closed, Normally
5	3290-500	2	Screw-PPH
6	29-5560	1	Switch-On / Off
6:1	218-461	1	Nut-HH
6:2	3254-5	1	Washer-Tooth, Internal
7	63-8360	1	Key-Ignition
8	740275	1	Switch-Seat
9	119-6535	1	Harness-Wire



Deck and Shield Assembly

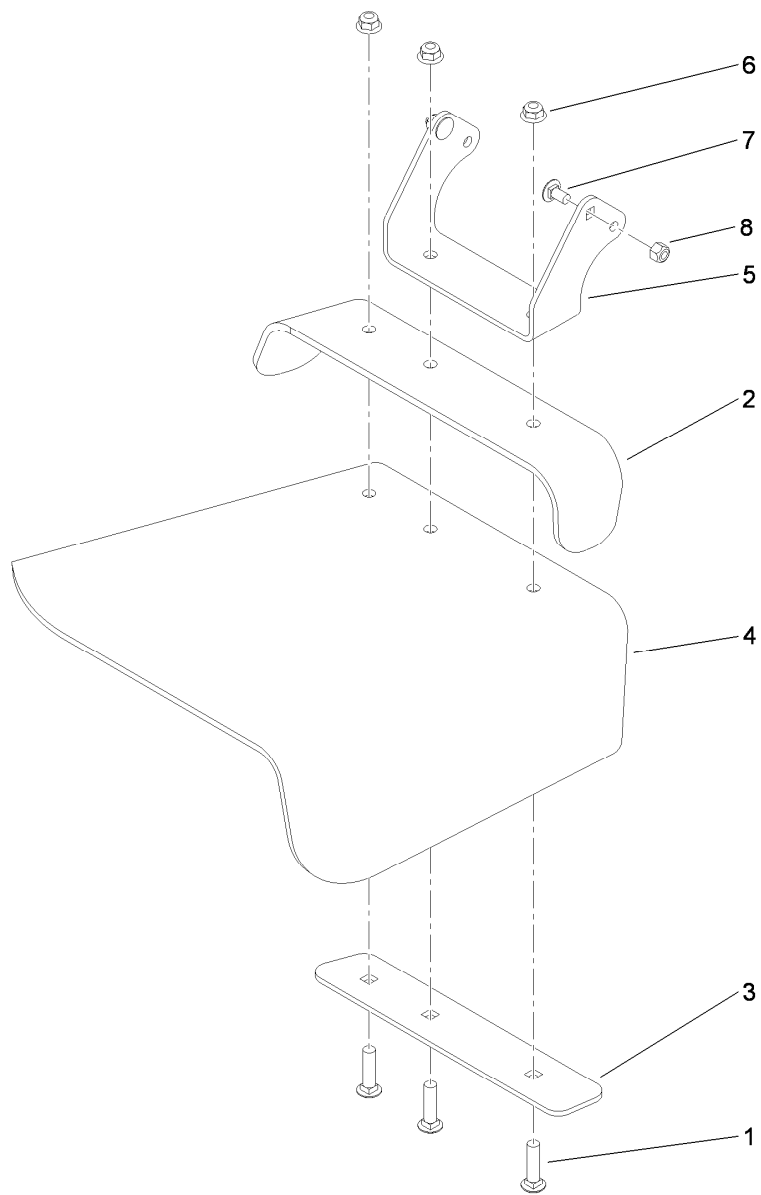
<i>Ref.</i>	<i>Part Number</i>	<i>Qty.</i>	<i>Description</i>
1	1-322149-01	1	Shield ASM
2	106-0710	1	Decal
3	106-4161	4	Knob-Handle
4	1-323417	4	Washer
5	1-303536	2	Stud-Shield, Belt (Long)
6	1-303537	2	Stud-Shield, Belt (Short)
9	110-6901	1	32 Inch Deck ASM
10	322-2	7	Screw-HH
11	322-50	1	Screw-HH
12	32128-20	11	Nut-HF
13	116-1730-01	1	Baffle-Dogleg
14	119-6529	1	Deflector ASM
16	104-8554	1	Spring-Torsion
17	105-4622	1	Spacer
18	3296-47	1	Nut-Lock, NI



Deck Decal Assembly No. 110-6901

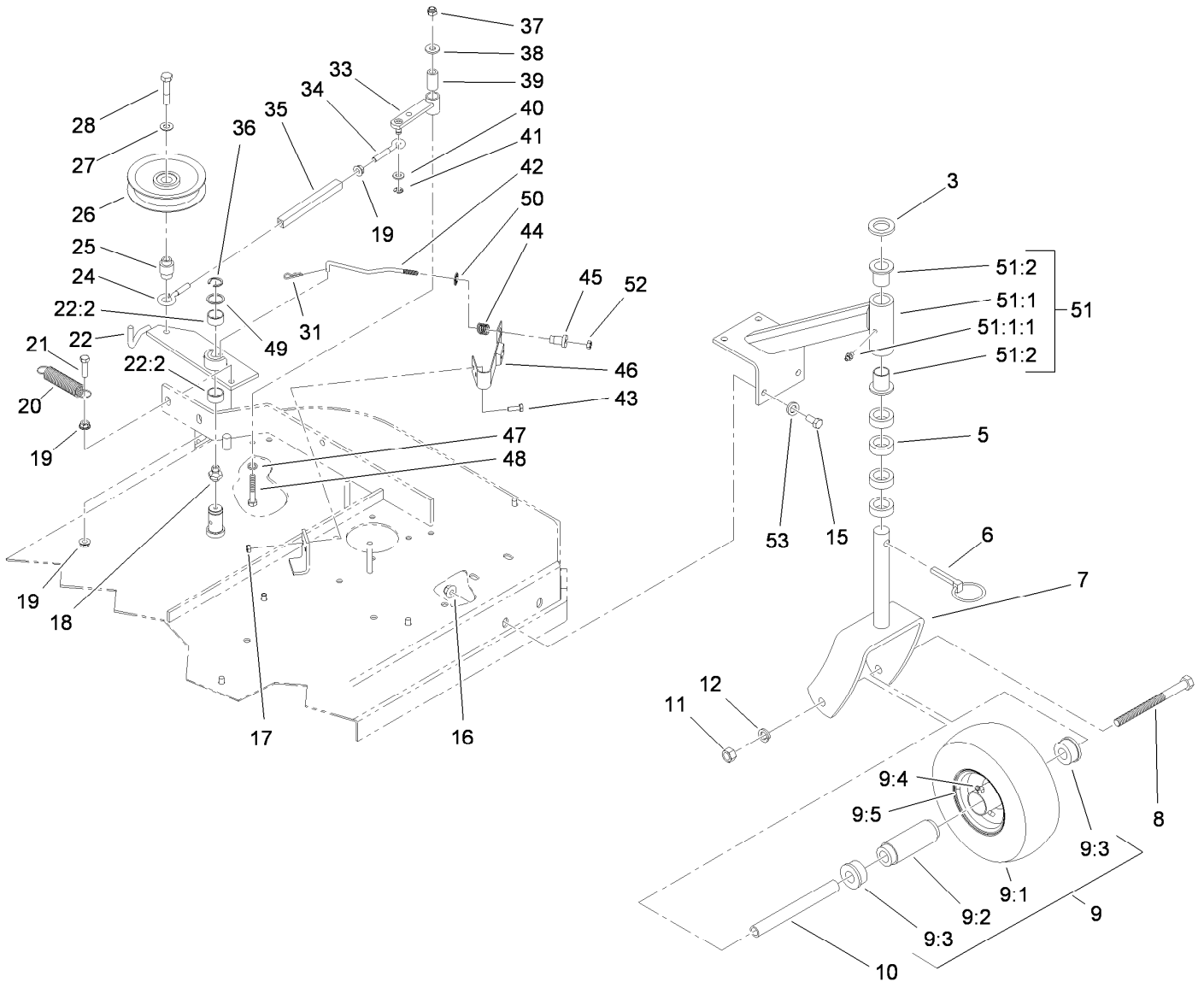
<i>Ref.</i>	<i>Part Number</i>	<i>Qty.</i>	<i>Description</i>
1		1	Deck ●
2	98-3296	1	Decal-Routing, Belt
3	98-5954	2	Decal-Cover, Missing
4	98-5130	1	Decal-Torque, Bolt
5	43-8480	1	Decal-Danger
6	66-1340	1	Decal-Danger, Thrown Object
7	104-8569	1	Decal-Warning

● Not serviced separately



Deflector Assembly No. 119-6529

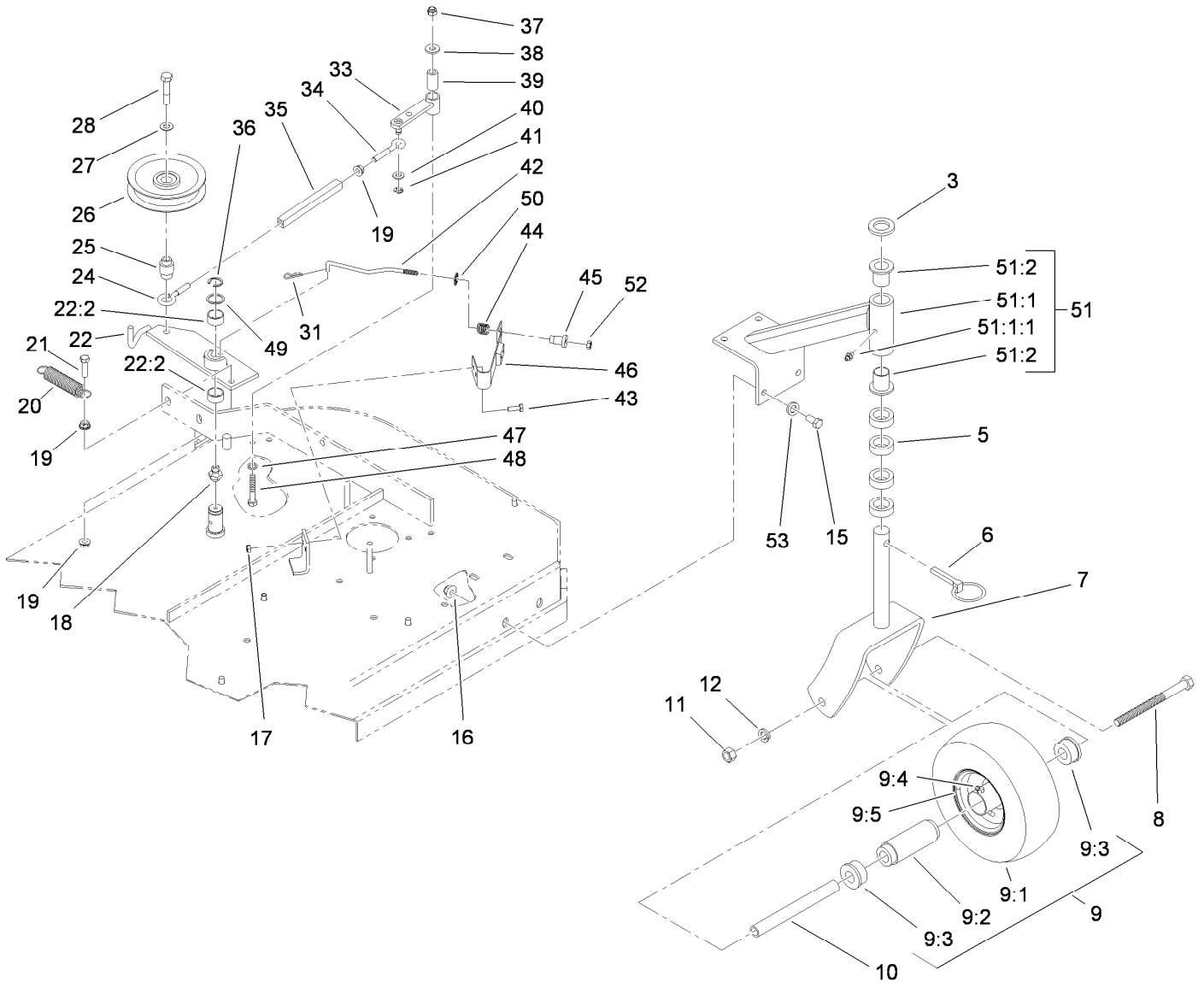
<i>Ref.</i>	<i>Part Number</i>	<i>Qty.</i>	<i>Description</i>
1	3231-4	3	Screw-CARR
2	107-4138-01	1	Strap-Deflector, Top
3	107-4139-01	1	Strap-Discharge
4	107-4137	1	Deflector-Rubber
5	119-6532-01	1	Bracket-Mounting, Deflector
6	104-8301	3	Nut-Flange, NI
7	3230-18	2	Screw-CARR
8	3296-29	2	Nut-Lock, NI



Idler Arm and Caster Wheel Assembly

Ref.	Part Number	Qty.	Description	Ref.	Part Number	Qty.	Description
3	1-513338	2	Washer-Flat	20	1-323071	1	Spring-Extension
5	1-303314	8	Spacer-Caster	21	116-3515	1	Screw-HH Special
6	1-809020	2	Pin	22	103-3600	1	Idler Arm ASM
7	1-322145-01	2	Fork	22:2	1-323729	2	Sleeve-Bearing
8	325-20	2	Screw-HH	24	1-303348	1	Eyebolt-Thread, LH
9	110-5023	2	Wheel And Tire ASM	25	1-303434	1	Bushing-Engagement
9:1		1	Tire ●	26	1-603843	1	Pulley-Idler
9:2	1-513809	1	Bearing	27	98-5975	1	Washer-Belleville
9:3	1-513810	2	Bushing	28	702809	1	Screw-HH
9:4	302-61	1	Fitting-Grease	31	1-806003	1	Pin-Cotter, Hair
9:5		1	Wheel ●	33	1-322235	1	Arm-Assist
10	1-513547	2	Spacer	34	1-303238	1	Eyebolt-Thread, RH
11	3217-9	2	Nut-HH	35	1-303236	1	Body-Turnbuckle
12	3253-7	2	Washer-Lock	36	32151-103	1	Ring-Retaining, EXT
15	323-6	8	Screw-HH	37	3296-29	1	Nut-Lock, NI
16	104-8301	8	Nut-Flange, NI	38	3256-3	1	Washer-Flat
17	3296-42	2	Nut-Lock, NI	39	1-403179	1	Tube-Pivot
18	302-19	1	Fitting-Grease	40	3256-23	1	Washer-Flat
19	32128-20	3	Nut-HF	41	32120-35	1	Ring-Retaining, EXT

● Not serviced separately

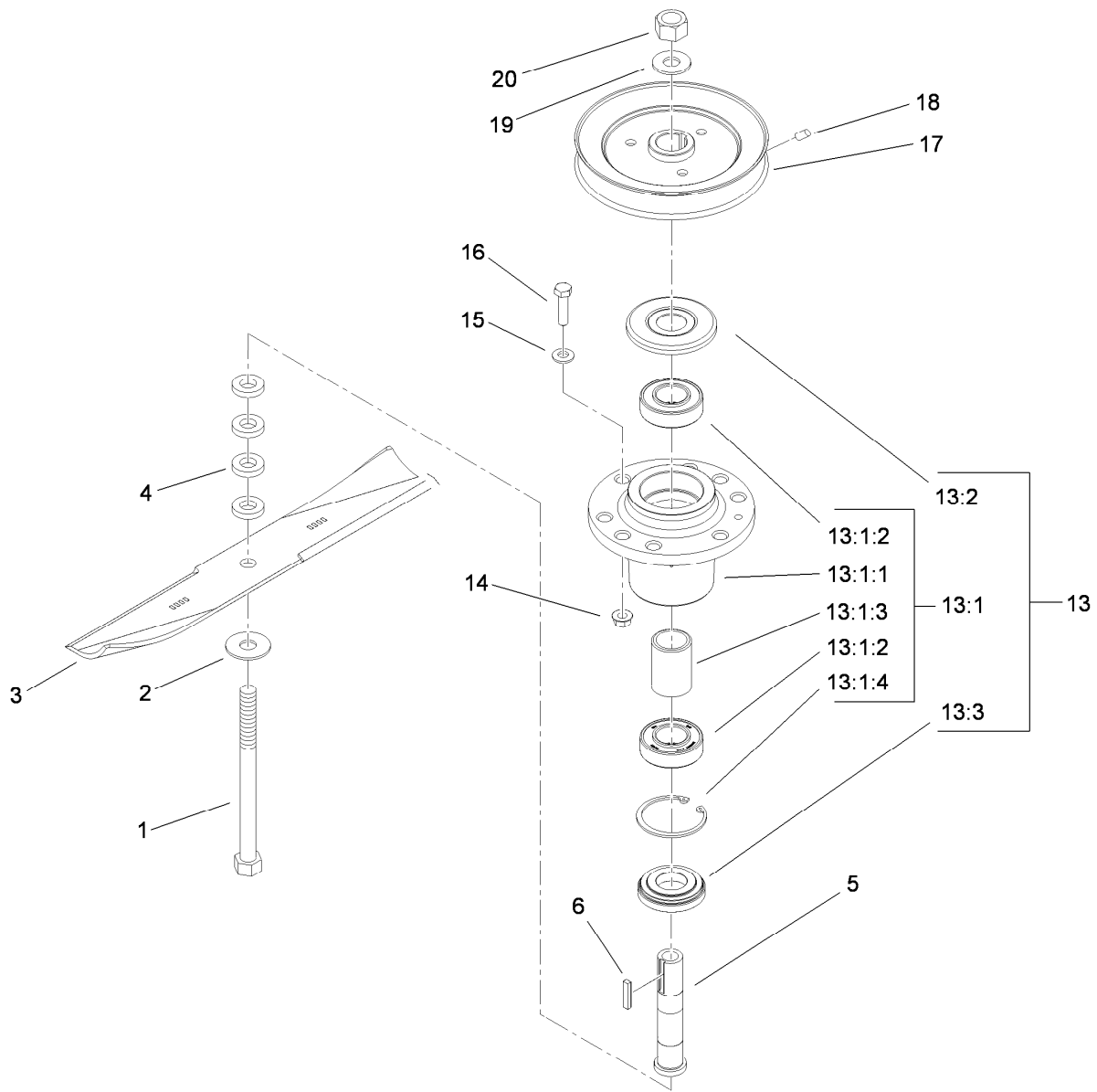


Idler Arm and Caster Wheel Assembly (continued)

Ref.	Part Number	Qty.	Description
42	1-323718	1	Rod-Brake
43	321-4	2	Screw-HH
44	1-323747	1	Spring-Compression
45	1-323746	1	Spacer-Flanged
46	1-324372	1	Pad And Spring ASM
47	1-303334	1	Washer-Spring
48	322-10	1	Screw-HH
49	1-303352	1	Washer-Spindle

Ref.	Part Number	Qty.	Description
50	1-323748	1	Ring-Push On
51	1-302203	2	Support ASM
51:1		1	Support-Caster ●
51:1:1	302-52	1	Fitting-Grease
51:2	1-303514	2	Bearing-Flanged
52	3296-56	1	Nut-Lock, NI
53	3256-24	8	Washer-Flat

● Not serviced separately



Spindle and Blade Assembly

Ref.	Part Number	Qty.	Description	Ref.	Part Number	Qty.	Description
1	1-800861	2	Screw-Cap, HH	13:1:3	103-2534	1	Spacer-Bearing
2	1-513208	2	Washer-Spring	13:1:4	32120-8	1	Ring-Snap
3	103-2527	2	Blade-Notched ●	13:2	103-1330	1	Guard-Bearing, Top
3	103-2507	2	Blade-Lift, Low	13:3	103-2535	1	Spacer-Guard, Bottom
4	1-323539	8	Spacer	14	32128-20	8	Nut-HF
5	1-323529	2	Tube-Spindle, Short	15	1-303334	8	Washer-Spring
6	1-807267	2	Key	16	322-6	8	Screw-HH
13	107-4065	2	Cutter Housing Service ASM	17	1-403183	2	Sheave
13:1		1	Cutter Housing ASM ■	18	1-803310	2	Screw-Set
13:1:1	103-7975	1	Housing-Spindle	19	1-323339	2	Washer-Retainer, Sheave
13:1:2	103-2477	2	Bearing-Jackshaft	20	3219-6	2	Nut-Hex

● Optional Equipment

■ Not serviced separately

Attachments and Accessories

For 30672 Commercial Walk-Behind Mower Fixed Deck, T-Bar, Gear Drive with 32in Cutting Unit

Product Name	Model/Part
32 inch and 48 inch Fixed Deck Low Lift Blades	103-2507
Blade-Notched	103-2527
Atomic Blade and Decal Assembly	104-8595
Blade-Atomic, 16.25 inch (6 Pack).....	110-0407
Spring-Extension	110-1119
32 inch Recycler Kit	110-4915
Soft Bag (3 Bushel).....	30198

Notes:

Notes:



Count on it.