



Count on it.

Parts Catalog

**Commercial Walk-Behind Mower
Fixed Deck, Pistol Grip, Gear Drive with 32in
Cutting Unit**

Model No. 30632—Serial No. 311000001 and Up

Ordering Replacement Parts

To order replacement parts, please supply the part number, the quantity, and the description of each part desired.

Understanding Reference Numbers

Each identified part in an illustration has a reference number. The reference number for a part also appears in the parts list, along with other information about the part.

This catalog uses two special reference number formats, one to indicate parts in a service assembly and another to indicate the quantity of a given part in an illustration.

Service Assembly Reference Numbers

Parts in service assemblies have reference numbers in the form a:b. The a represents the reference number of the entire service assembly and the b represents a sequential number unique to each part within the service assembly.

For example, a wheel assembly might be identified by reference number 6, the tire by 6:1, the valve by 6:2, and the wheel by 6:3. When you order the assembly identified by reference number 6, you receive all parts identified by reference numbers 6:1, 6:2, and 6:3. However, you may also order any part individually. Reference numbers of this type appear in illustration and in parts lists.

Reference Numbers Indicating Quantity

In an illustration, if a reference number indicates more than one part, the reference number has the form nX y. The n represents the quantity of the part, the X is the multiplication symbol, and the y represents the reference number.

For example, in an illustration, the reference number 2X 37 means that two of the parts identified by reference number 37 are indicated.

List of Abbreviations

AR: as required

ASM: assembly

BBC: blade brake control

BHTF: button head thread forming

CARR: carriage

CCW: counter clockwise

CW: clockwise

DEG: degrees

DPA: Dual Point Adjustment

ECM: electronic control module

EXT: external

FH: flat head

GA: gauge

HD: heavy-duty

HF: hex flange

HH: hex head

HHF: hex head flange

HHFTF: hex head flange thread forming

HJ: hex jam

HLH: hex lag head

HOC: height-of-cut

HSBH: hex socket button head

HSFH: hex socket flat head

HSH: hex socket head

HWH: hex washer head

HWTF: hex washer head thread forming

HYD: hydraulic

LH: left hand

LP: Liquid Propane

NI: nylon insert

NPTF: national pipe thread fine

PFH: phillips flat head

PPH: phillips pan head

PPHTF: phillips pan head thread forming

PRH: phillips round head

PTH: phillips truss head

PTO: power-take-off

RH: right hand

ROPS: roll-over protection system

RRB: rear roller brush

SFH: slotted fillister head

SHH: slotted hex head

SHWH: slotted hex washer head

SPH: slotted pan head

SQH: square head

SRH: slotted round head

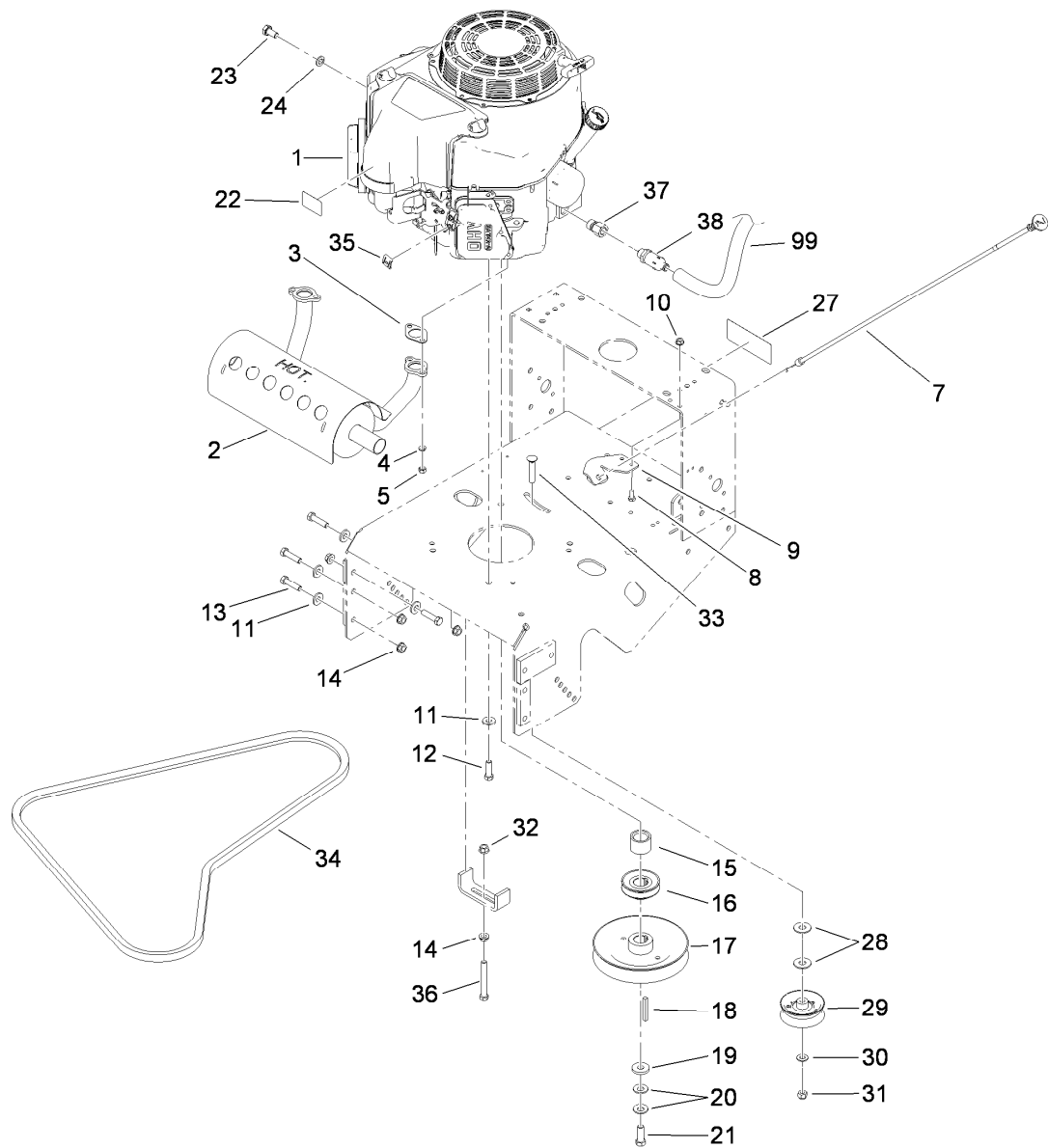
STD: standard

TAP: self tapping

TTH: torx truss head

Contents

Engine and Exhaust Assembly.....	4
Fuel System Assembly	5
Frame and Transmission Assembly	6
Drive Wheel and Brake Assembly	8
Handle Control Assembly	10
Handle Assembly	11
Deck and Shield Assembly	12
Deck Decal Assembly No. 110-6901.....	13
Deflector Assembly No. 119-6529.....	14
Idler Arm and Caster Wheel Assembly	15
Spindle and Blade Assembly	17
Attachments and Accessories	18



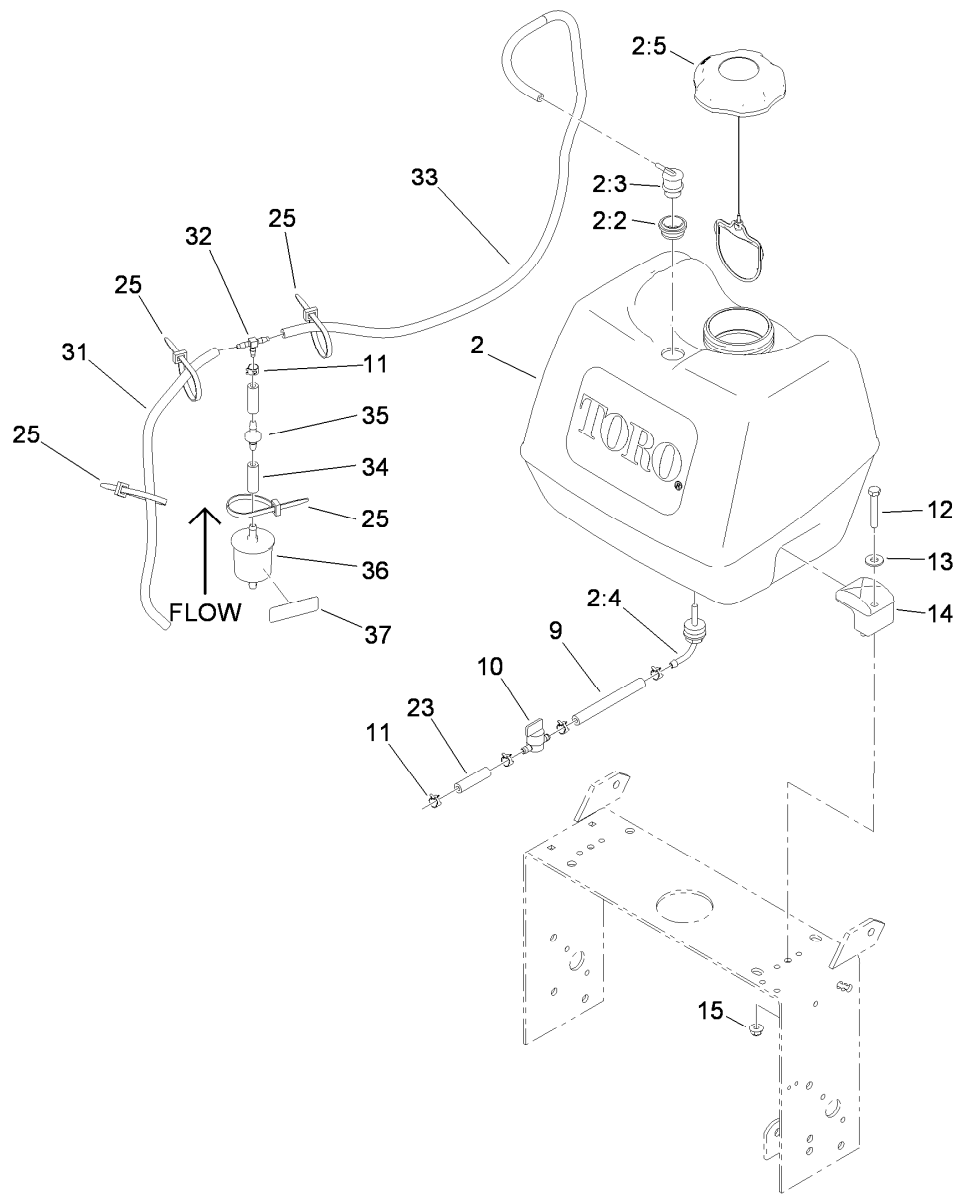
Engine and Exhaust Assembly

Ref.	Part Number	Qty.	Description
1		1	Engine-Kawasaki, Fs481V-As06 ●■
2	116-4396	1	Muffler-Horizontal, Offset
3	1-653313	2	Gasket-Exhaust
4	114-3550	4	Washer-Lock, Spring
5	114-3549	4	Nut
7	103-1796	1	Cable-Choke
8	321-3	2	Screw-HH
9	103-1797-01	1	Bracket-Cable, Choke
10	32128-33	2	Nut-HF
11	98-5975	12	Washer-Belleville
12	323-7	4	Screw-HH
13	323-8	8	Screw-HH
14	3290-357	9	Nut-HHF, Whiz
15	1-633453	1	Spacer-Clutch
16	103-1666	1	Sheave-Transmission
17	103-1667	1	Sheave
18	103-4177	1	Key
19	1-373034	1	Washer

Ref.	Part Number	Qty.	Description
20	1-603610	2	Washer-Spring
21	116-3702	1	Screw-HH
22	103-2076	1	Decal-Caution
23	33114-016	1	Screw-HH
24	3253-4	1	Washer-Lock
27	98-0776	1	Decal-Caution
28	3256-5	2	Washer-Flat
29	1-323285	1	Pulley-Idler, Flat
30	3256-24	1	Washer-Flat
31	3296-39	1	Nut-Lock, NI
32	32128-21	1	Nut-HF
33	3231-6	1	Screw-CARR
34	1-323745	1	Belt-V
35	81-1690	1	Clamp-Cable
36	323-14	1	Screw-HH
37	103-1966	1	Adapter
38	92-6877	1	Valve-Drain, Oil
99	103-1964	1	Hose-Drain, Oil

● Not serviced separately

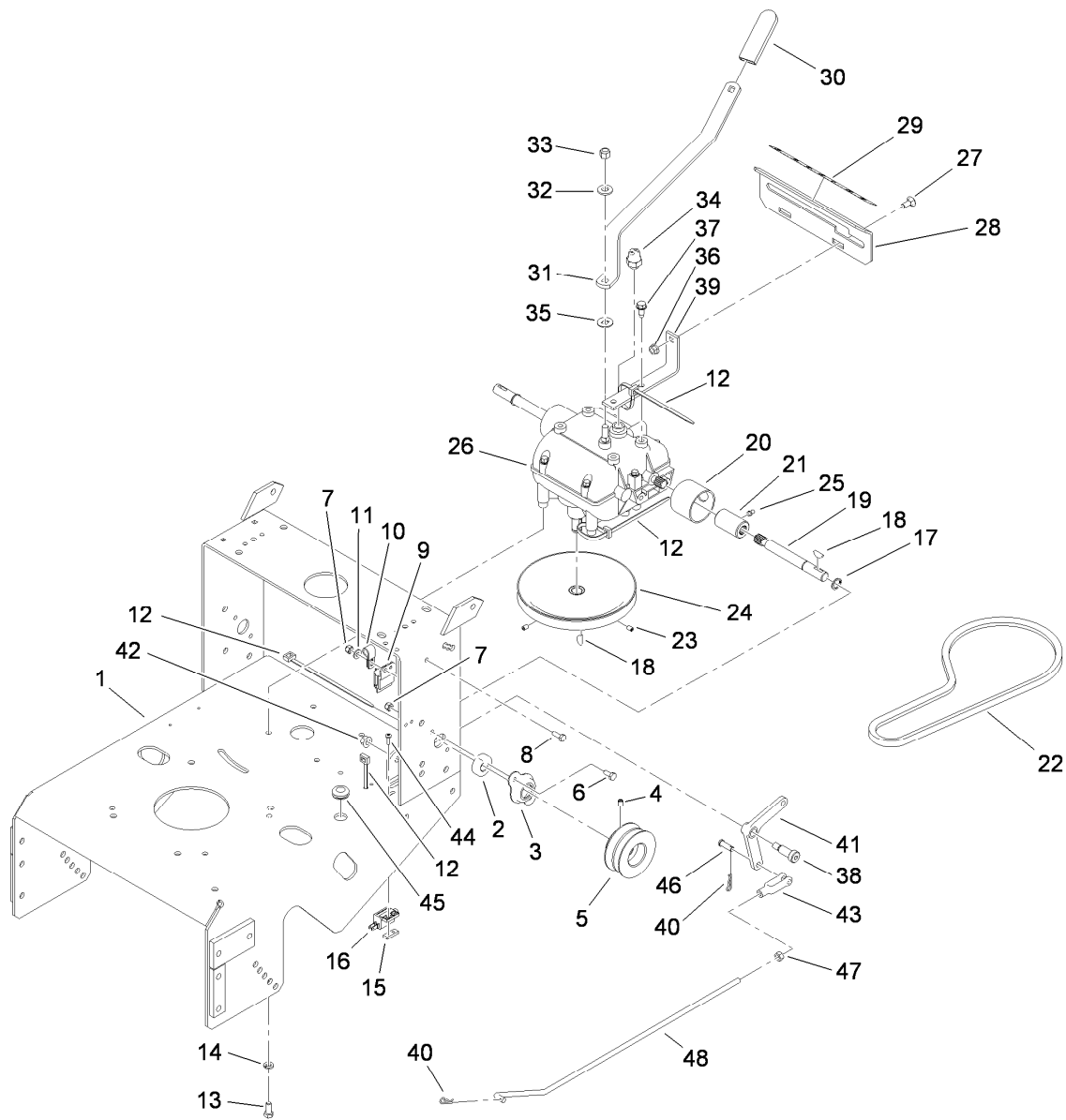
■ Obtain parts from www.kawpowerepc.com



Fuel System Assembly

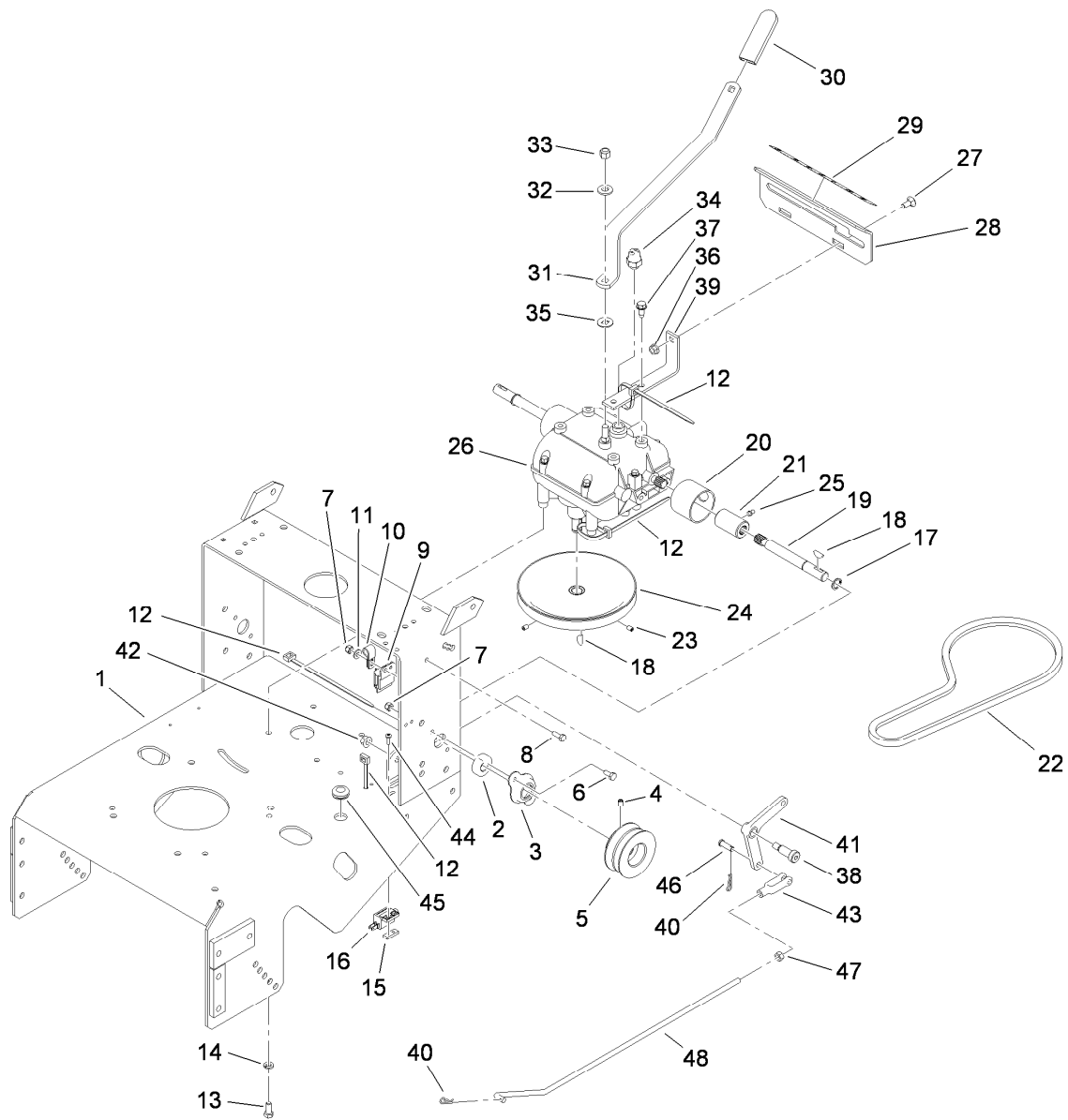
Ref.	Part Number	Qty.	Description
2	119-7899	1	Fuel Tank ASM
2:2	119-6549	1	Grommet-Valve, Roll-Over
2:3	114-0285	1	Valve-Rollover
2:4	103-2605	1	Fitting-Fuel, Bulkhead
2:5	115-4465	1	Cap-Fuel, Ratcheting
9	109-0650	1	Hose-Fuel
10	1-603770	1	Valve-Fuel
11	2412-98	5	Clamp
12	322-10	2	Screw-HH
13	3256-3	2	Washer-Flat
14	107-4543	2	Clamp

Ref.	Part Number	Qty.	Description
15	104-8300	2	Nut-Flange, NI
23	99-9415	1	Hose-Fuel
25	3290-378	4	Tie-Cable
31	115-7872	1	Hose-Fuel
32	120-2234	1	Fitting-Tee
33	116-4346	1	Hose-Emissions
34	106-9492	2	Hose-Fuel
35	99-5000	1	Valve-Check, Fuel
36	120-2235	1	Filter-Air
37	116-4769	1	Decal-Filter, Emissions



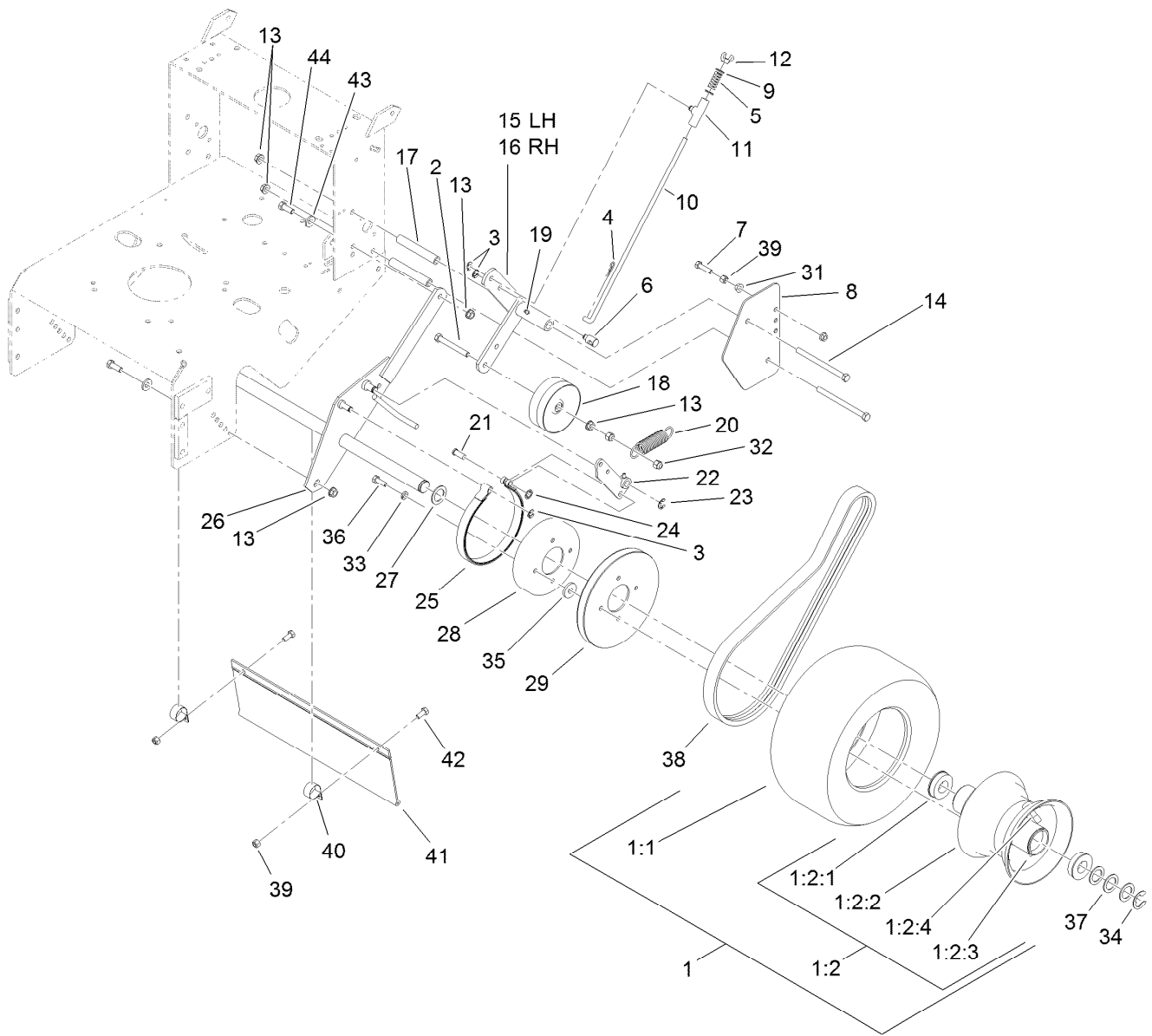
Frame and Transmission Assembly

Ref.	Part Number	Qty.	Description	Ref.	Part Number	Qty.	Description
1	117-3521-01	1	Gear Frame ASM	22	1-323630	1	V-Belt
2	1-323252	2	Bearing-Shaft	23	3245-41	2	Screw-HSH
3	1-323254	2	Flange-Output	24	1-323278	1	Sheave-Transmission
4	1-803310	2	Screw-Set	25	302-19	2	Fitting-Grease
5	103-6512	2	Sheave-Transmission	26	1-323500	1	Transmission
6	321-3	4	Screw-HH	27	3230-1	2	Bolt-CARR
7	3296-42	5	Nut-Lock, NI	28	1-323387-03	1	Plate-Shift
8	321-4	1	Screw-HH	29	105-4104	1	Decal-Speed, Ground
9	1-323430	1	Module-Interlock	30	1-303020	1	Grip-Lever
10	1-513762	1	Clip-Loom	31	98-3274-03	1	Lever-Shift
11	3256-22	1	Washer-Flat	32	98-5975	1	Washer-Belleville
12	1-303335	4	Tie-Plastic	33	3296-6	1	Nut-Lock
13	322-3	4	Screw-HH	34	1-303282	1	Switch-Start, Neutral
14	1-805005	4	Washer-Lock	35	1-323379	1	Washer
15	1-633181	1	Plate-Tapped	36	32128-20	2	Nut-HF
16	1-513051	1	Switch-Open, Normally	37	9264964	4	Screw-HWH, Thread Cut
17	32151-62	2	Ring-Retaining	38	1-603403	1	Bolt-Shoulder
18	3257-5	3	Key-Woodruff	39	1-323389-03	2	Bracket-Plate, Shift
19	1-323502	2	Shaft-Transmission	40	1-806003	2	Pin-Cotter, Hair
20	51-4220	2	Guard-Coupler	41	1-303186	1	Bellcrank
21	1-323680	2	Coupler	42	32128-21	1	Nut-HF



Frame and Transmission Assembly (continued)

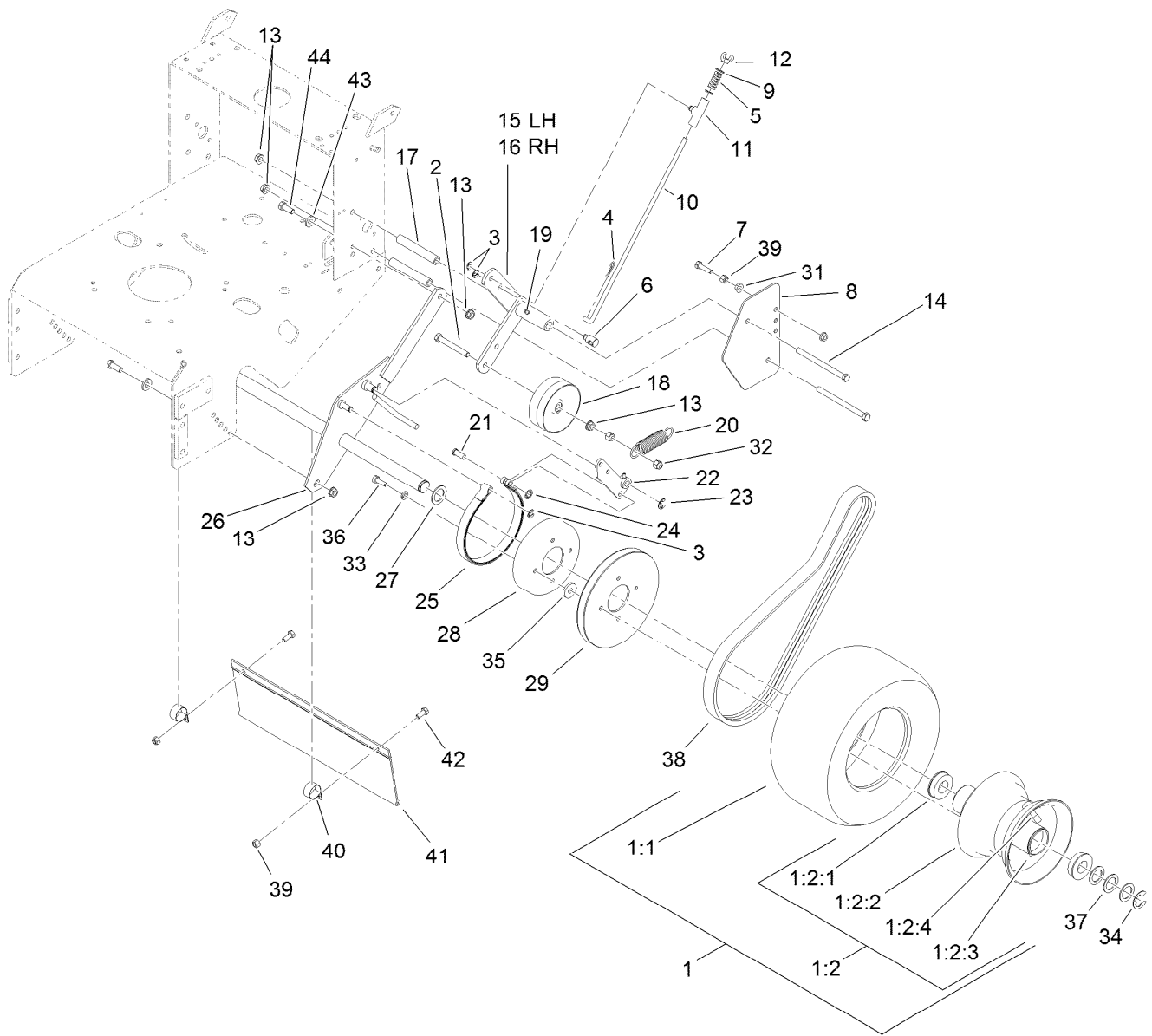
<i>Ref.</i>	<i>Part Number</i>	<i>Qty.</i>	<i>Description</i>	<i>Ref.</i>	<i>Part Number</i>	<i>Qty.</i>	<i>Description</i>
43	1-303105	1	Yoke-Adjustable	46	1-808280	1	Pin-Clevis
44	3290-500	2	Screw-PPH	47	3219-2	1	Nut-Hex
45	1-543296	1	Grommet	48	1-323303	1	Linkage-Arm



Drive Wheel and Brake Assembly

Ref.	Part Number	Qty.	Description	Ref.	Part Number	Qty.	Description
1	1-323346	2	Wheel And Tire ASM	14	323-39	4	Screw-HH
1:1	1-323361	1	Tire	15	103-1615-03	1	Arm-Idler, LH
1:2	1-323360	1	Wheel And Hub ASM	16	103-1616-03	1	Arm-Idler, RH
1:2:1	1-323329	2	Bearing-Flanged	17	1-323283	4	Spacer-Shield
1:2:2		1	Rim ASM ●	18	1-323352	2	Idler-Wheel, Drive
1:2:3		1	Fitting-Grease ●	19	302-19	2	Fitting-Grease
1:2:4		1	Valve Stem And Cap ●	20	1-603402	2	Spring-Extension
2	99-8664	2	Screw-HH	21	1-323307	2	Pin-Clevis
3	32151-47	6	Ring-Retaining	22	103-1611-03	2	Arm-Brake
4	1-806003	2	Pin-Cotter, Hair	23	32120-47	2	Ring-Retaining, External
5	1-323245	2	Spring-Compression	24	1-803051	2	Nut-Push
6	103-1864	2	Swivel-Lever, Drive	25	1-323262	2	Band-Brake
7	116-3515	2	Screw-HH Special	26	1-322141-03	1	Axle
8	1-323287-01	2	Shield-Wheel, Drive	27	1-543436	2	Washer-Spacer
9	3256-23	4	Washer-Flat	28	1-323261	2	Drum-Brake
10	1-323548	2	Linkage-Brake	29	1-323349	2	Sheave-Wheel, Drive
11	110-5866	2	Swivel-Brake	31	32128-20	4	Nut-HF
12	1-513959	2	Wingnut-Nylock	32	3296-39	4	Nut-Lock, NI
13	3290-357	10	Nut-HHF, Whiz	33	1-805005	8	Washer-Lock

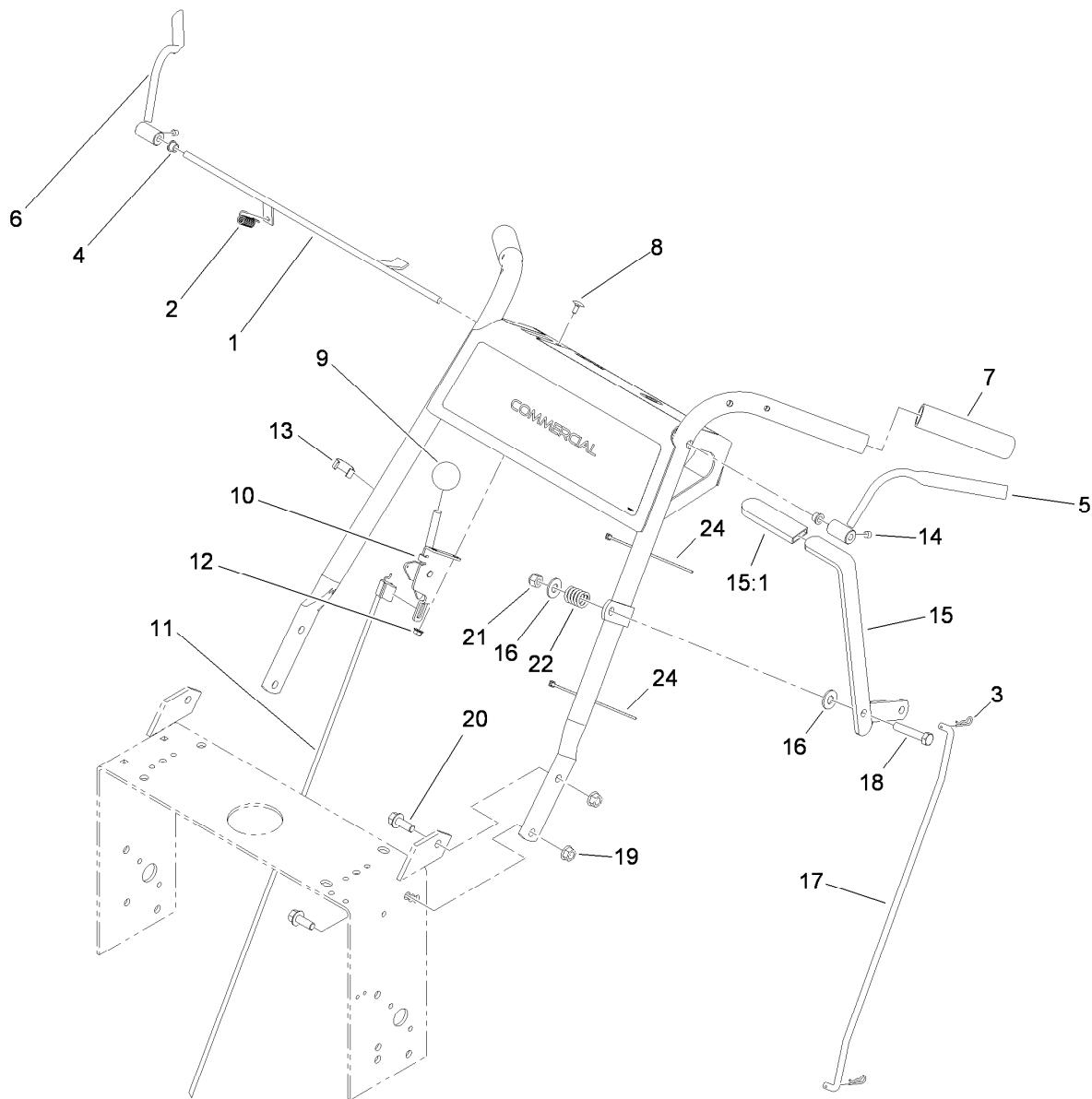
● Not serviced separately



Drive Wheel and Brake Assembly (continued)

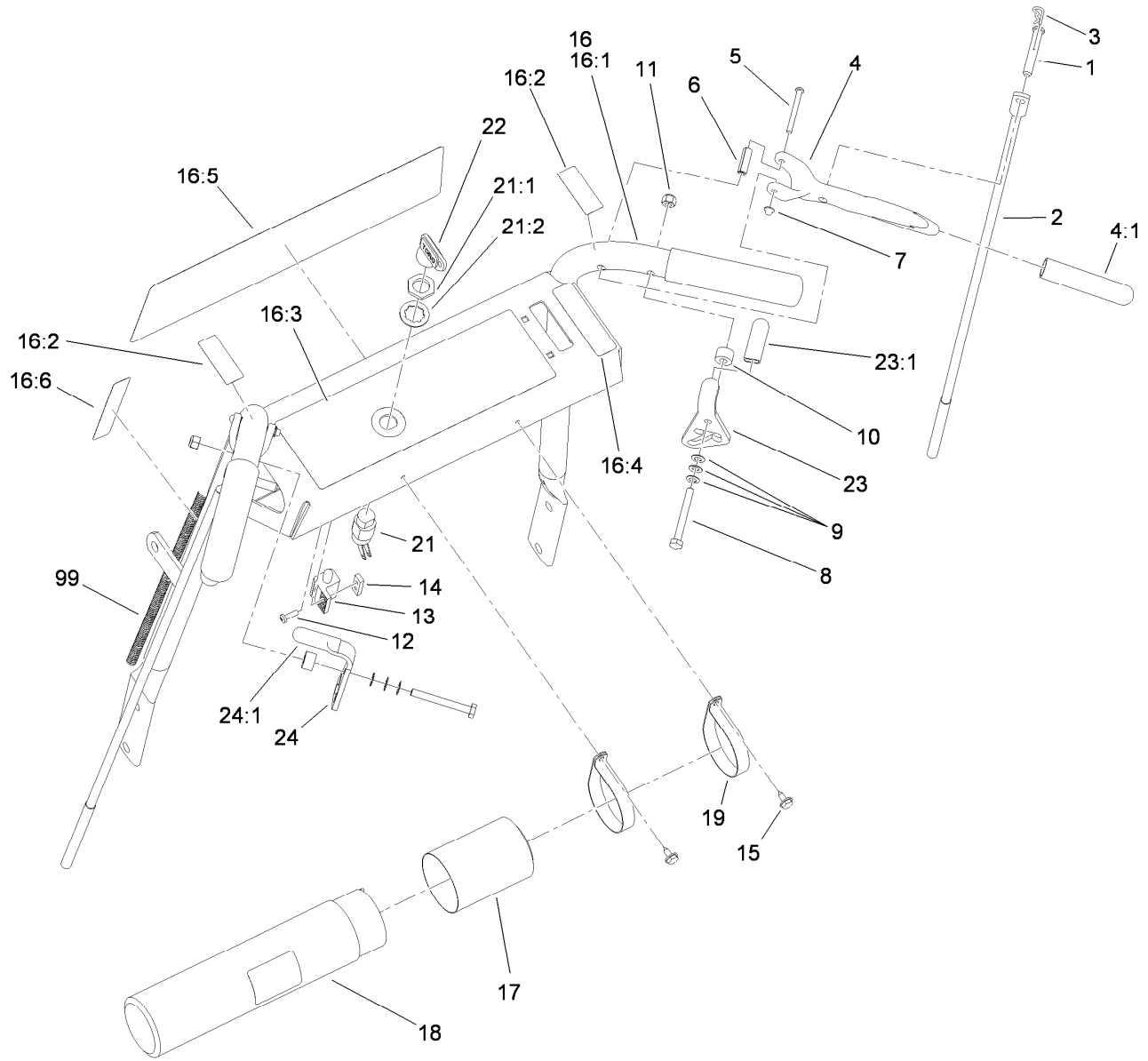
<i>Ref.</i>	<i>Part Number</i>	<i>Qty.</i>	<i>Description</i>	<i>Ref.</i>	<i>Part Number</i>	<i>Qty.</i>	<i>Description</i>
34	1-808519	2	Ring-Snap	40	2412-104	2	Clamp-R
35	1-373034	8	Washer	41	98-3259	1	Shield-Trailing
36	322-5	8	Screw-HH	42	322-3	2	Screw-HH
37	1-523157	6	Washer-Spacer	43	98-5975	4	Washer-Belleville
38	1-323744	2	Belt-Drive, Wheel	44	323-6	4	Screw-HH
39	3296-29	4	Nut-Lock, NI				

● Not serviced separately



Handle Control Assembly

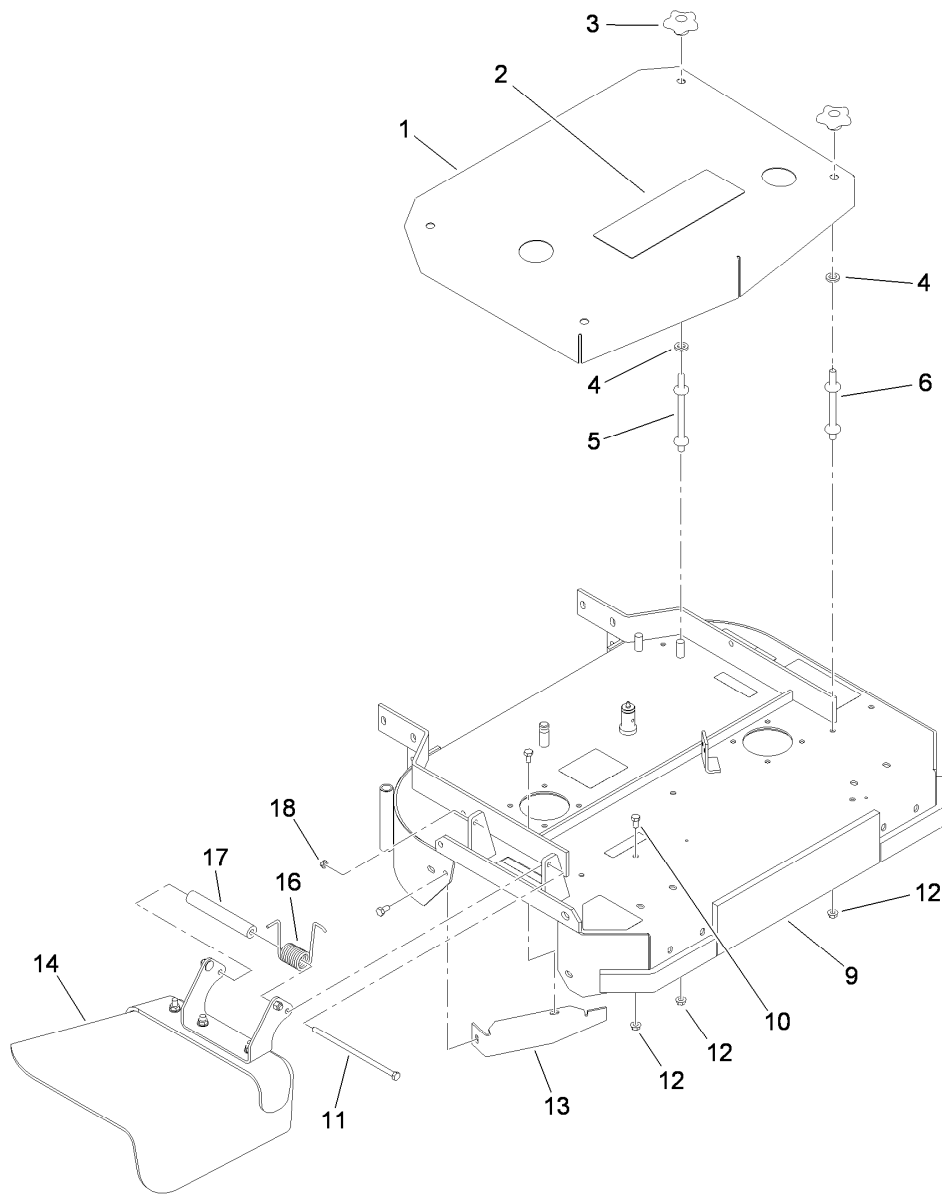
<i>Ref.</i>	<i>Part Number</i>	<i>Qty.</i>	<i>Description</i>	<i>Ref.</i>	<i>Part Number</i>	<i>Qty.</i>	<i>Description</i>
1	106-2717-03	1	Rod-Control, Operator Presence	12	32128-17	2	Nut-Lock, Flange
2	1-303363	1	Spring-Extension	13	1-303088	1	Clip-Cable
3	1-806003	2	Pin-Cotter, Hair	14	1-803322	2	Screw-Set
4	1-303365	2	Bushing-Nylon	15	1-322157	1	Lever ASM
5	106-5485	1	LH Operator Presence Control Lever ASM	15:1	1-303020	1	Grip-Lever
6	106-5486	1	RH Operator Presence Control Lever ASM	16	3256-4	2	Washer-Flat
7	104-9838	2	Grip-Foam	17	1-323298	1	Linkage-Blade, Upper
8	1-807513	2	Bolt-CARR	18	323-10	1	Screw-HH
9	1-603175	1	Knob-Ball	19	32128-21	4	Nut-HF
10	110-5547	1	Control Lever ASM	20	3234-11	4	Screw-HHF
11	119-1823	1	Cable-Control, Throttle	21	3296-39	1	Nut-Lock, NI
				22	1-303160	1	Spring-Compression
				24	1-303287	2	Tie-Cable



Handle Assembly

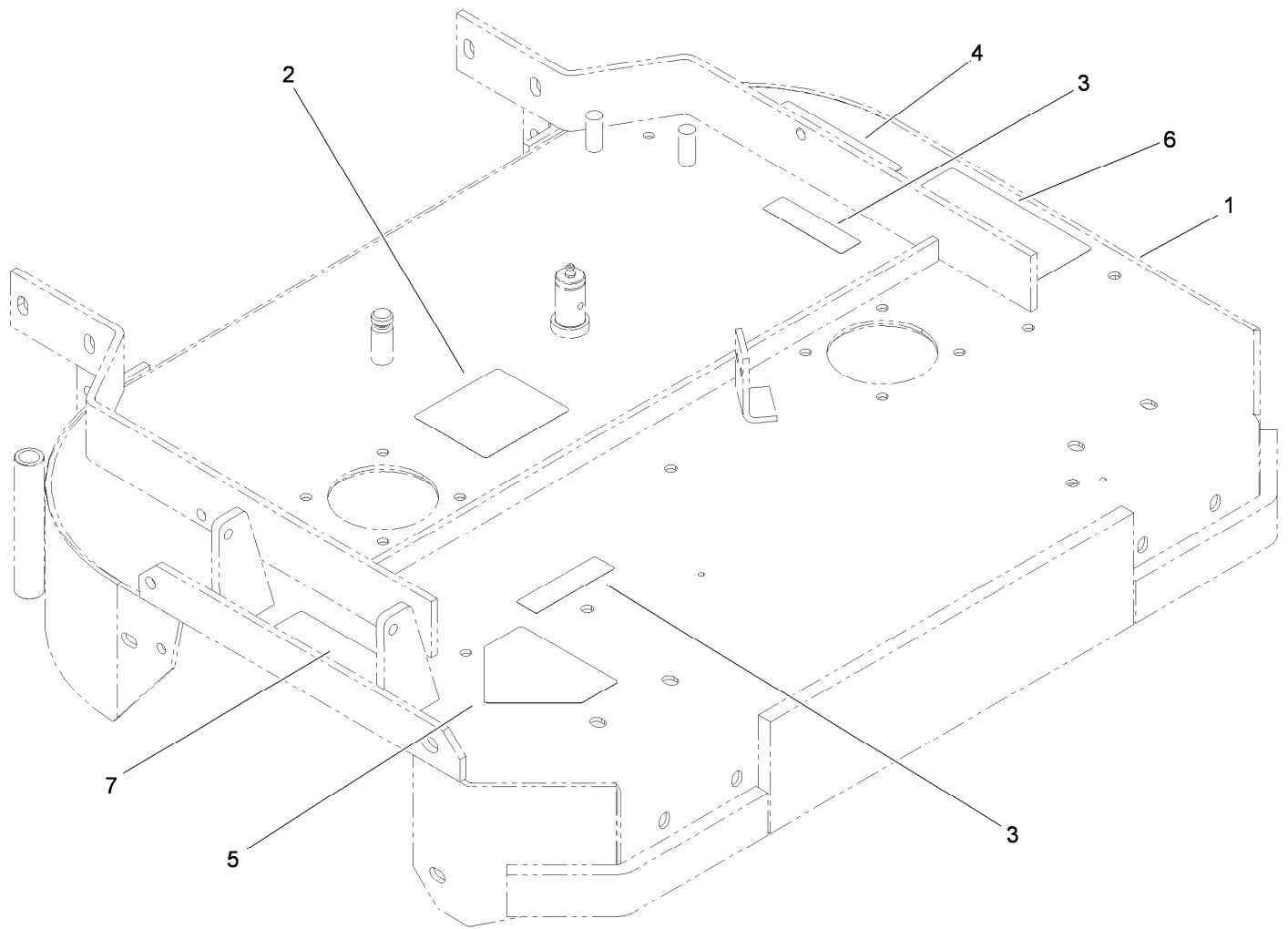
Ref.	Part Number	Qty.	Description	Ref.	Part Number	Qty.	Description
1	1-808286	2	Pin-Clevis	16:2	105-4111	2	Decal-Lock, Neutral
2	1-323359	2	Linkage-Wheel, Drive	16:3	106-2737	1	Decal-Warning
3	1-806003	2	Pin-Cotter, Hair	16:4	106-2733	1	Decal-Throttle
4	1-302006	2	Drive Lever ASM	16:5	110-6917	1	Decal
4:1	1-303021	1	Grip-Lever, Drive	16:6	95-5537	1	Decal-Engage, Deck
5	1-808250	2	Pin-Lever, Drive	17	104-7048	1	Cap-Housing
6	1-806340	2	Pin-Roll	18	104-7050	1	Tube-Manual
7	1-803001	2	Nut	19	2412-120	2	R-Clamp
8	321-18	2	Screw-HH	21	29-5560	1	Switch-On / Off
9	1-303435	6	Washer-Spring	21:1	218-461	1	Nut-HH
10	1-323549	2	Spacer	21:2	3254-5	1	Washer-Tooth, Internal
11	3296-42	2	Nut-Lock, NI	22	63-8360	1	Key-Ignition
12	3290-500	2	Screw-PPH	23	1-324280	1	RH Thumb Latch ASM
13	1-513051	1	Switch-Open, Normally	23:1	1-303019	1	Grip-Latch
14	1-633181	1	Plate-Tapped	24	1-324279	1	LH Thumb Latch ASM
15	32104-76	2	Screw	24:1	1-303019	1	Grip-Latch
16	119-3638	1	Handle ASM	99	116-2661	1	Harness-Wire
16:1		1	Pistol Grip Handle ASM ●				

● Not serviced separately



Deck and Shield Assembly

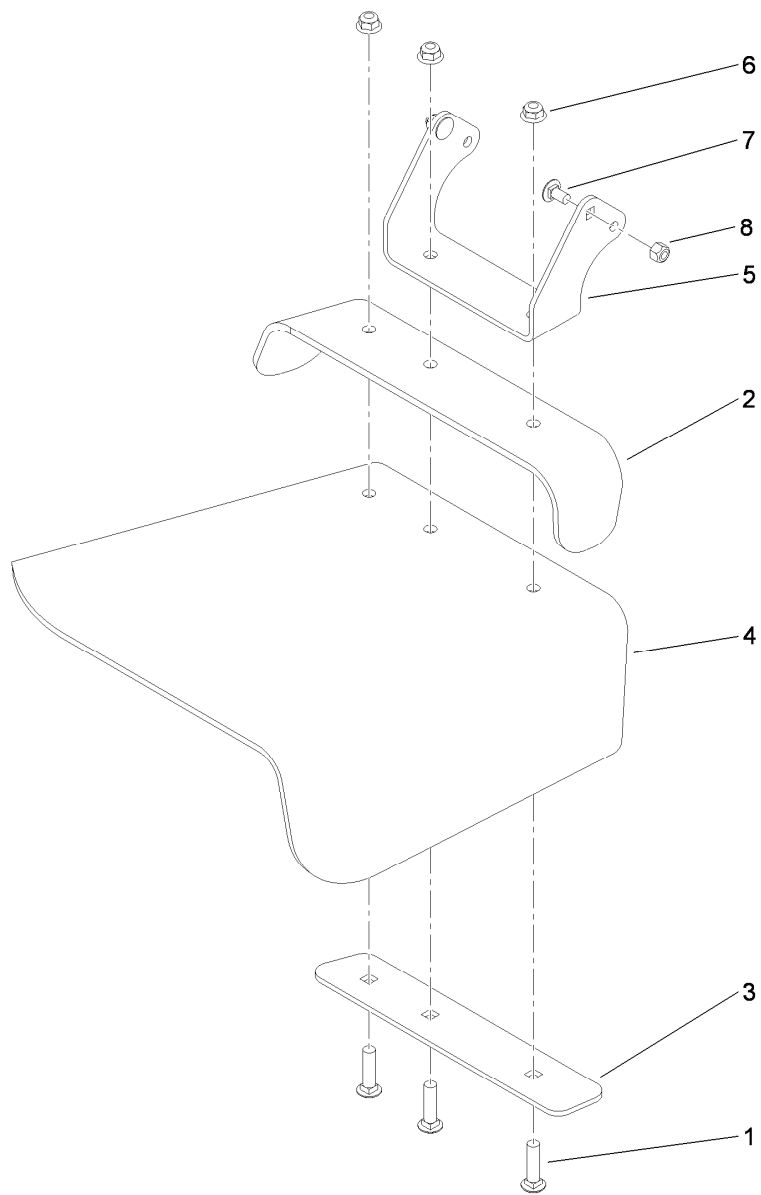
Ref.	Part Number	Qty.	Description
1	1-322149-01	1	Shield ASM
2	106-0710	1	Decal
3	106-4161	4	Knob-Handle
4	1-323417	4	Washer
5	1-303536	2	Stud-Shield, Belt (Long)
6	1-303537	2	Stud-Shield, Belt (Short)
9	110-6901	1	32 Inch Deck ASM
10	322-2	7	Screw-HH
11	322-50	1	Screw-HH
12	32128-20	11	Nut-HF
13	116-1730-01	1	Baffle-Dogleg
14	119-6529	1	Deflector ASM
16	104-8554	1	Spring-Torsion
17	105-4622	1	Spacer
18	3296-47	1	Nut-Lock, NI



Deck Decal Assembly No. 110-6901

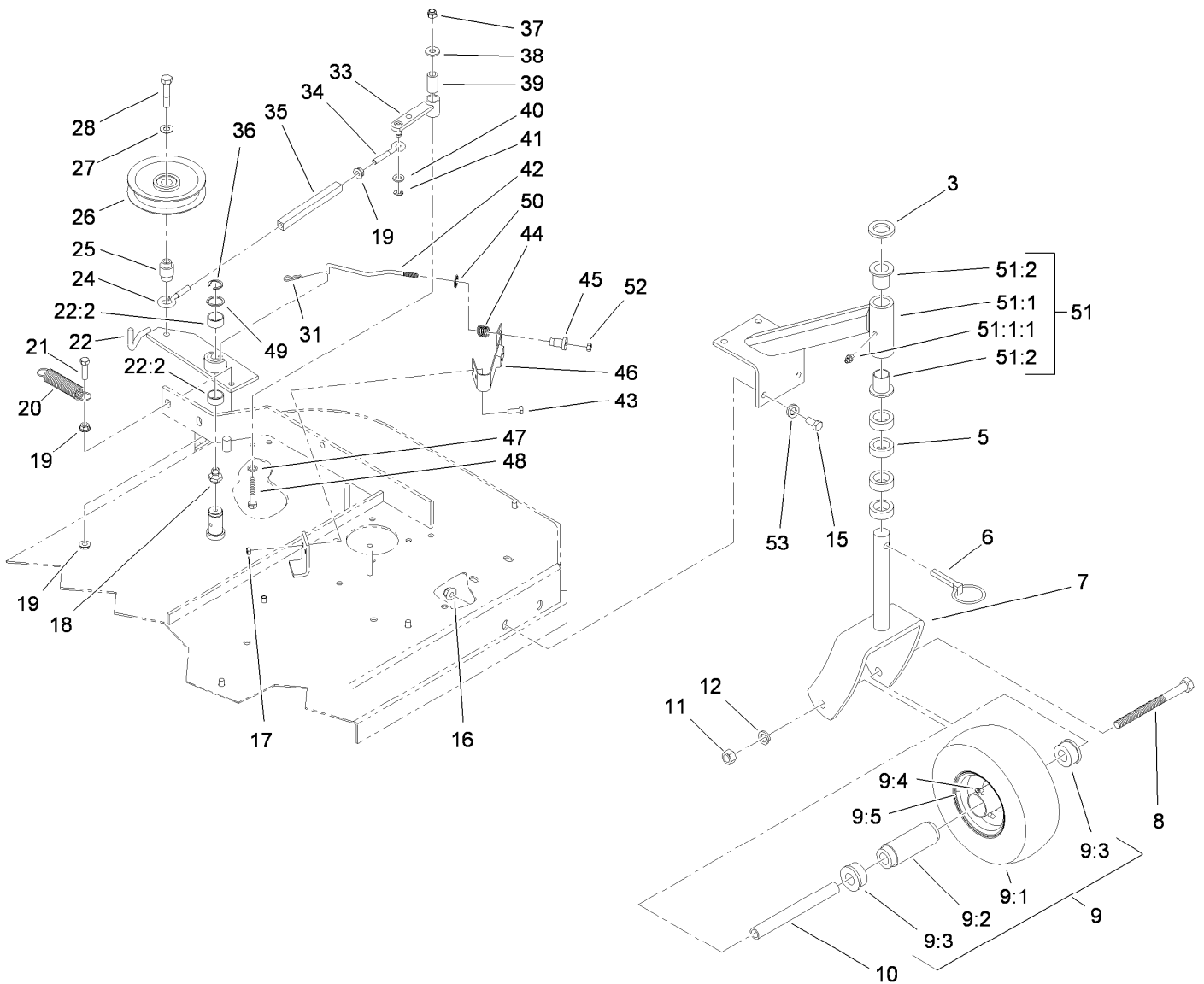
<i>Ref.</i>	<i>Part Number</i>	<i>Qty.</i>	<i>Description</i>
1		1	Deck ●
2	98-3296	1	Decal-Routing, Belt
3	98-5954	2	Decal-Cover, Missing
4	98-5130	1	Decal-Torque, Bolt
5	43-8480	1	Decal-Danger
6	66-1340	1	Decal-Danger, Thrown Object
7	104-8569	1	Decal-Warning

● Not serviced separately



Deflector Assembly No. 119-6529

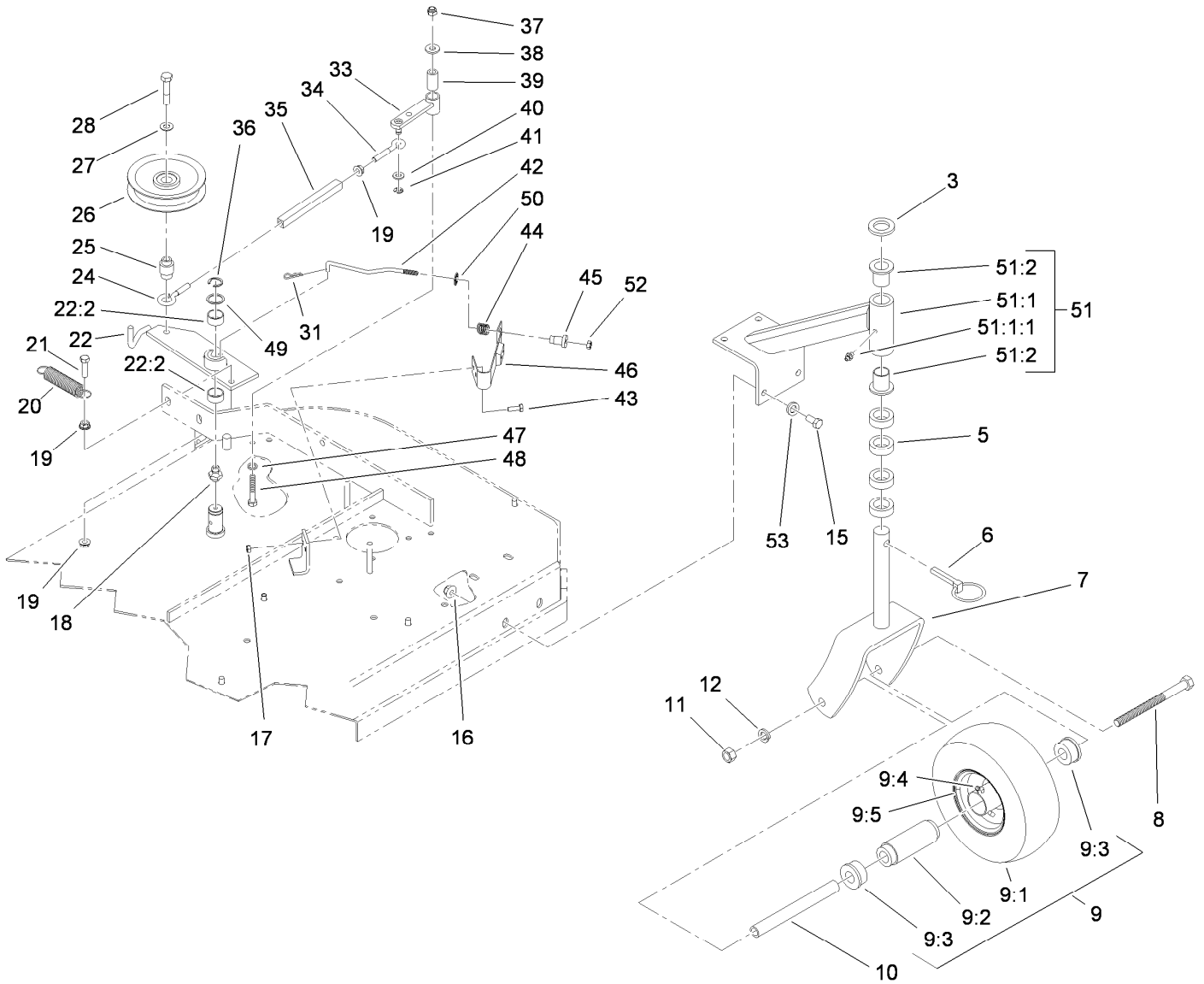
<i>Ref.</i>	<i>Part Number</i>	<i>Qty.</i>	<i>Description</i>
1	3231-4	3	Screw-CARR
2	107-4138-01	1	Strap-Deflector, Top
3	107-4139-01	1	Strap-Discharge
4	107-4137	1	Deflector-Rubber
5	119-6532-01	1	Bracket-Mounting, Deflector
6	104-8301	3	Nut-Flange, NI
7	3230-18	2	Screw-CARR
8	3296-29	2	Nut-Lock, NI



Idler Arm and Caster Wheel Assembly

Ref.	Part Number	Qty.	Description	Ref.	Part Number	Qty.	Description
3	1-513338	2	Washer-Flat	20	1-323071	1	Spring-Extension
5	1-303314	8	Spacer-Caster	21	116-3515	1	Screw-HH Special
6	1-809020	2	Pin	22	103-3600	1	Idler Arm ASM
7	1-322145-01	2	Fork	22:2	1-323729	2	Sleeve-Bearing
8	325-20	2	Screw-HH	24	1-303348	1	Eyebolt-Thread, LH
9	110-5023	2	Wheel And Tire ASM	25	1-303434	1	Bushing-Engagement
9:1		1	Tire ●	26	1-603843	1	Pulley-Idler
9:2	1-513809	1	Bearing	27	98-5975	1	Washer-Belleville
9:3	1-513810	2	Bushing	28	702809	1	Screw-HH
9:4	302-61	1	Fitting-Grease	31	1-806003	1	Pin-Cotter, Hair
9:5		1	Wheel ●	33	1-322235	1	Arm-Assist
10	1-513547	2	Spacer	34	1-303238	1	Eyebolt-Thread, RH
11	3217-9	2	Nut-HH	35	1-303236	1	Body-Turnbuckle
12	3253-7	2	Washer-Lock	36	32151-103	1	Ring-Retaining, EXT
15	323-6	8	Screw-HH	37	3296-29	1	Nut-Lock, NI
16	104-8301	8	Nut-Flange, NI	38	3256-3	1	Washer-Flat
17	3296-42	2	Nut-Lock, NI	39	1-403179	1	Tube-Pivot
18	302-19	1	Fitting-Grease	40	3256-23	1	Washer-Flat
19	32128-20	3	Nut-HF	41	32120-35	1	Ring-Retaining, EXT

● Not serviced separately

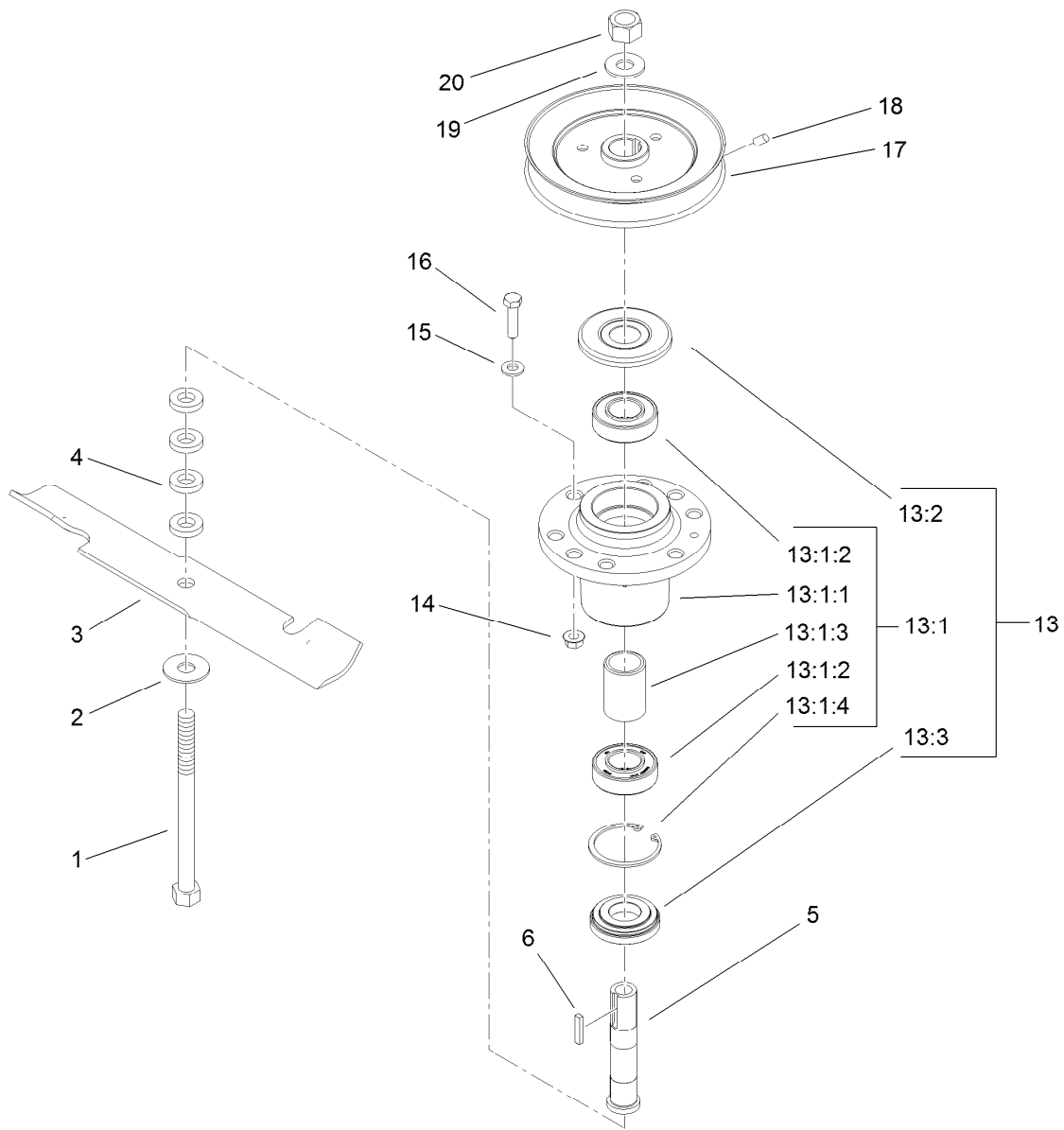


Idler Arm and Caster Wheel Assembly (continued)

Ref.	Part Number	Qty.	Description
42	1-323718	1	Rod-Brake
43	321-4	2	Screw-HH
44	1-323747	1	Spring-Compression
45	1-323746	1	Spacer-Flanged
46	1-324372	1	Pad And Spring ASM
47	1-303334	1	Washer-Spring
48	322-10	1	Screw-HH
49	1-303352	1	Washer-Spindle

Ref.	Part Number	Qty.	Description
50	1-323748	1	Ring-Push On
51	1-302203	2	Support ASM
51:1		1	Support-Caster ●
51:1:1	302-52	1	Fitting-Grease
51:2	1-303514	2	Bearing-Flanged
52	3296-56	1	Nut-Lock, NI
53	3256-24	8	Washer-Flat

● Not serviced separately



Spindle and Blade Assembly

Ref.	Part Number	Qty.	Description	Ref.	Part Number	Qty.	Description
1	1-800861	2	Screw-Cap, HH	13:1:3	103-2534	1	Spacer-Bearing
2	1-513208	2	Washer-Spring	13:1:4	32120-8	1	Ring-Snap
3	103-2527	2	Blade-Notched	13:2	103-1330	1	Guard-Bearing, Top
4	1-323539	8	Spacer	13:3	103-2535	1	Spacer-Guard, Bottom
5	1-323529	2	Tube-Spindle, Short	14	32128-20	8	Nut-HF
6	1-807267	2	Key	15	1-303334	8	Washer-Spring
13	107-4065	2	Cutter Housing Service ASM	16	322-6	8	Screw-HH
13:1		1	Cutter Housing ASM ●	17	1-403183	2	Sheave
13:1:1	103-7975	1	Housing-Spindle	18	1-803310	2	Screw-Set
13:1:2	103-2477	2	Bearing-Jackshaft	19	1-323339	2	Washer-Retainer, Sheave
				20	3219-6	2	Nut-Hex

● Not serviced separately

Attachments and Accessories

For 30632 Commercial Walk-Behind Mower Fixed Deck, Pistol Grip, Gear Drive with 32in Cutting Unit

Product Name	Model/Part
32 inch and 48 inch Fixed Deck Low Lift Blades	103-2507
Blade-Notched	103-2527
Atomic Blade and Decal Assembly	104-8595
Weight Kit	107-4100
Blade-16.25 inch (6 Pack).....	108-1119
Blade-Atomic, 16.25 inch (6 Pack).....	110-0407
32 inch Recycler Kit	110-4915
Soft Bag (3 Bushel).....	30198

Notes:



Count on it.