



**Count on it.**

**Parts Catalog**

**Z580-D Z Master®**

**With 52 Rear Discharge Mower**

**Model No. 74279TE—Serial No. 280000001 and Up**

# Ordering Replacement Parts

To order replacement parts, please supply the part number, the quantity, and the description of each part desired.

## Understanding Reference Numbers

Each identified part in an illustration has a reference number. The reference number for a part also appears in the parts list, along with other information about the part.

This catalog uses two special reference number formats, one to indicate parts in a service assembly and another to indicate the quantity of a given part in an illustration.

## Service Assembly Reference Numbers

Parts in service assemblies have reference numbers in the form a:b. The a represents the reference number of the entire service assembly and the b represents a sequential number unique to each part within the service assembly.

For example, a wheel assembly might be identified by reference number 6, the tire by 6:1, the valve by 6:2, and the wheel by 6:3. When you order the assembly identified by reference number 6, you receive all parts identified by reference numbers 6:1, 6:2, and 6:3. However, you may also order any part individually. Reference numbers of this type appear in illustration and in parts lists.

## Reference Numbers Indicating Quantity

In an illustration, if a reference number indicates more than one part, the reference number has the form nX y. The n represents the quantity of the part, the X is the multiplication symbol, and the y represents the reference number.

For example, in an illustration, the reference number 2X 37 means that two of the parts identified by reference number 37 are indicated.

# List of Abbreviations

**AR:** as required

**ASM:** assembly

**BBC:** blade brake control

**BHTF:** button head thread forming

**CARR:** carriage

**CCW:** counter clockwise

**CW:** clockwise

**DEG:** degrees

**ECM:** electronic control module

**EXT:** external

**FH:** flat head

**GA:** gauge

**HD:** heavy-duty

**HF:** hex flange

**HH:** hex head

**HHF:** hex head flange

**HHFTF:** hex head flange thread forming

**HJ:** hex jam

**HLH:** hex lag head

**HOC:** height-of-cut

**HSBH:** hex socket button head

**HSFH:** hex socket flat head

**HSH:** hex socket head

**HWH:** hex washer head

**HWHTF:** hex washer head thread forming

**HYD:** hydraulic

**LH:** left hand

**LP:** Liquid Propane

**NI:** nylon insert

**NPTF:** national pipe thread fine

**PFH:** phillips flat head

**PPH:** phillips pan head

**PPHTF:** phillips pan head thread forming

**PRH:** phillips round head

**PTH:** phillips truss head

**PTO:** power-take-off

**RH:** right hand

**ROPS:** roll-over protection system

**RRB:** rear roller brush

**SFH:** slotted fillister head

**SHH:** slotted hex head

**SHWH:** slotted hex washer head

**SPH:** slotted pan head

**SQH:** square head

**SRH:** slotted round head

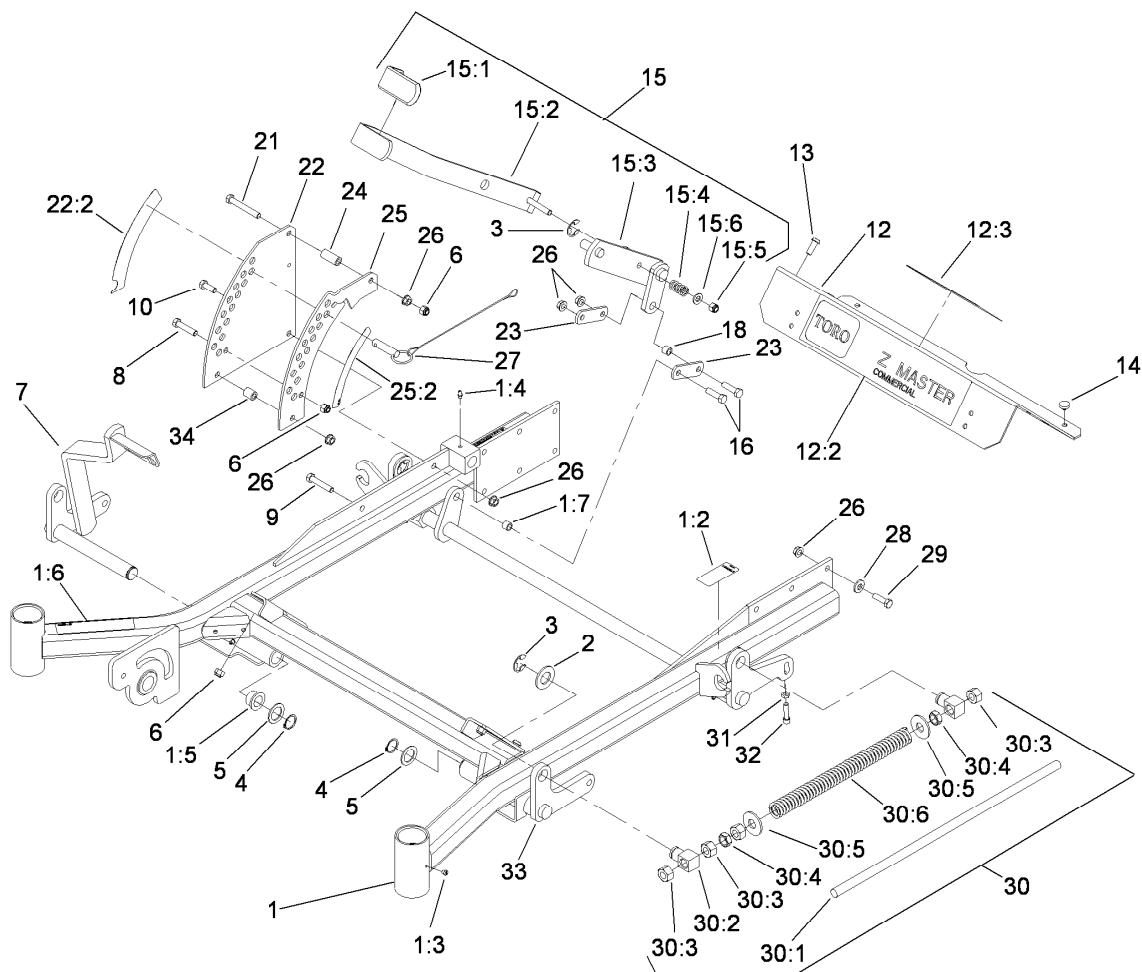
**STD:** standard

**TAP:** self tapping

**TTH:** torx truss head

# Contents

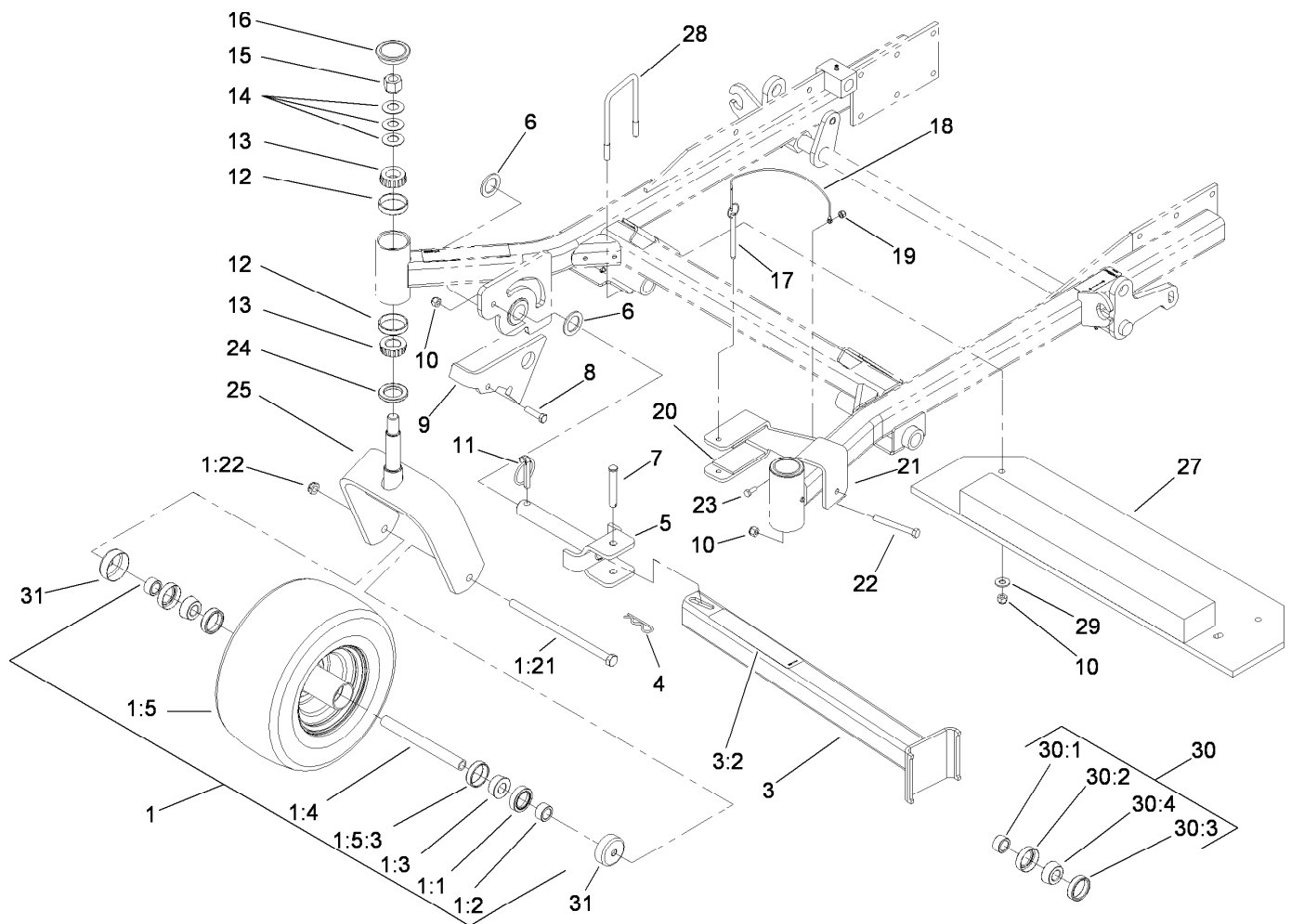
Front Frame Assembly	4
Fork, Caster Wheel and Z Stand Assembly	5
Traction Frame and Floor Pan Assembly	6
Roll-Over Protection System Assembly	7
Deluxe Seat Assembly No. 110-0838	8
Roll-Over Protection System Assembly No. 110-0877	9
Main Frame and Rear Wheel Assembly	10
Hydro Control Assembly	11
Engine, Exhaust and Air Intake Assembly	12
Air Cleaner Assembly No. 93-2190	13
Hydro and Gearbox Assembly	14
Gearbox Assembly No. 107-9887	15
Hydraulic Tank, Motor and Pump Assembly	16
Tandem Pump Assembly No. 107-9885	18
Hydraulic Motor Assembly No. 112-8357 (CCW)	19
Hydraulic Motor Assembly No. 112-8358 (CW)	20
Fuel System and Throttle Control Assembly	21
Engine Housing Assembly	22
Cooling System Assembly	23
Hood Assembly	24
Deck Connection Assembly	25
Deck Assembly	26
Deck Decal Assembly No. 112-3751	27
Spindle Assembly No. 108-7713	28
Spring Idler Assembly No. 114-1812	29
Electrical Assembly	30
Crankcase Assembly	31
Oil Pan Assembly	32
Cylinder Head Assembly	33
Gear Case and Oil Filter Cartridge Assembly	34
Head Cover Assembly	35
Dipstick, Guide and Oil Pump Assembly	36
Main Bearing Case Assembly	37
Camshaft and Idle Gear Shaft Assembly	38
Piston and Crankshaft Assembly	39
Flywheel, Fuel Camshaft and Governor Shaft Assembly	40
Idle Apparatus and Stop Solenoid Assembly	41
Injection Pump and Governor Assembly	42
Speed Control Plate Assembly	43
Nozzle Holder and Glow Plug Assembly	44
Nozzle Holder Assembly	45
Alternator, Pulley and Fuel Pump Cover Assembly	46
Alternator Assembly	47
Starter Installation Assembly	48
Starter Assembly	49
Water Flange, Pump, Pipe and Thermostat Assembly	50
Valve and Rocker Arm Assembly	51
Inlet and Exhaust Manifold Assembly	52
Gasket Kit	53
Piston Kit	54
Attachments and Accessories	55



## Front Frame Assembly

Ref.	Part Number	Qty.	Description	Ref.	Part Number	Qty.	Description
1	110-0800	1	Frame ASM	15:5	3296-39	1	Nut-Lock, NI
1:2	107-3968	1	Decal-Brake, Parking	15:6	3256-24	1	Washer-Flat
1:3	1-811010	2	Plug	16	323-29	2	Screw-HH
1:4	302-19	5	Fitting-Grease	18	103-1918	1	Bushing
1:5	94-1291	2	Bushing	21	323-13	1	Screw-HH
1:6	107-3969	1	Decal-Warning	22	115-2758	1	Lift Plate-Deck, Outer
1:7	103-1918	1	Bushing	22:2	107-3961	1	Decal-Deck Height, Large
2	3256-29	4	Washer-Flat	23	1-633068	2	Arm-Lift, Deck
3	32151-103	5	Ring-Retaining, EXT	24	1-633082	1	Bushing-Lever, Lift
4	32151-29	2	Ring-Retaining	25	110-0836	1	Plate-Deck Lift, Inner (Ce)
5	1-523157	2	Washer-Spacer	25:2	107-3962	1	Decal-Deck Height, Small
6	3296-39	6	Nut-Lock, NI	26	3290-357	17	Nut-HHF, Whiz
7	108-7786-01	1	RH Front Deck Lift ASM	27	106-9951	1	Hitch Pin ASM
8	323-9	1	Screw-HH	28	98-5975	12	Washer-Belleville
9	323-10	1	Screw-HH	29	323-7	12	Screw-HH
10	323-6	1	Screw-HH	30		2	Front Frame Spring ASM ●
12	107-3976	1	Footrest	30:1	1-633096	1	Rod-Lift, Deck
12:2	106-7451	1	Decal	30:2	1-633441	2	Swivel-Deck Mount, Rear
12:3	107-1866	1	Decal-Danger, Slope	30:3	3217-11	4	Nut-Hex
13	3274-94	4	Screw-HSBH	30:4	3218-6	2	Nut-Jam
14	1-513658	2	Bumper	30:5	3256-7	2	Washer-Flat
15	110-5860	1	Deck Lift Handle ASM	30:6	1-633064	1	Spring-Support, Deck
15:1	1-633295	1	Grip-Lever, Lift	31	3218-2	2	Nut-Jam
15:2	103-2083	1	Lever-Lift	32	3274-18	2	Screw-HSH
15:3	103-2064	1	Arm-Lift, Deck	33	106-8984-01	1	LH Deck Lift ASM
15:4	1-633325	1	Spring-Compression	34	1-633080	1	Bushing-Lever, Lift

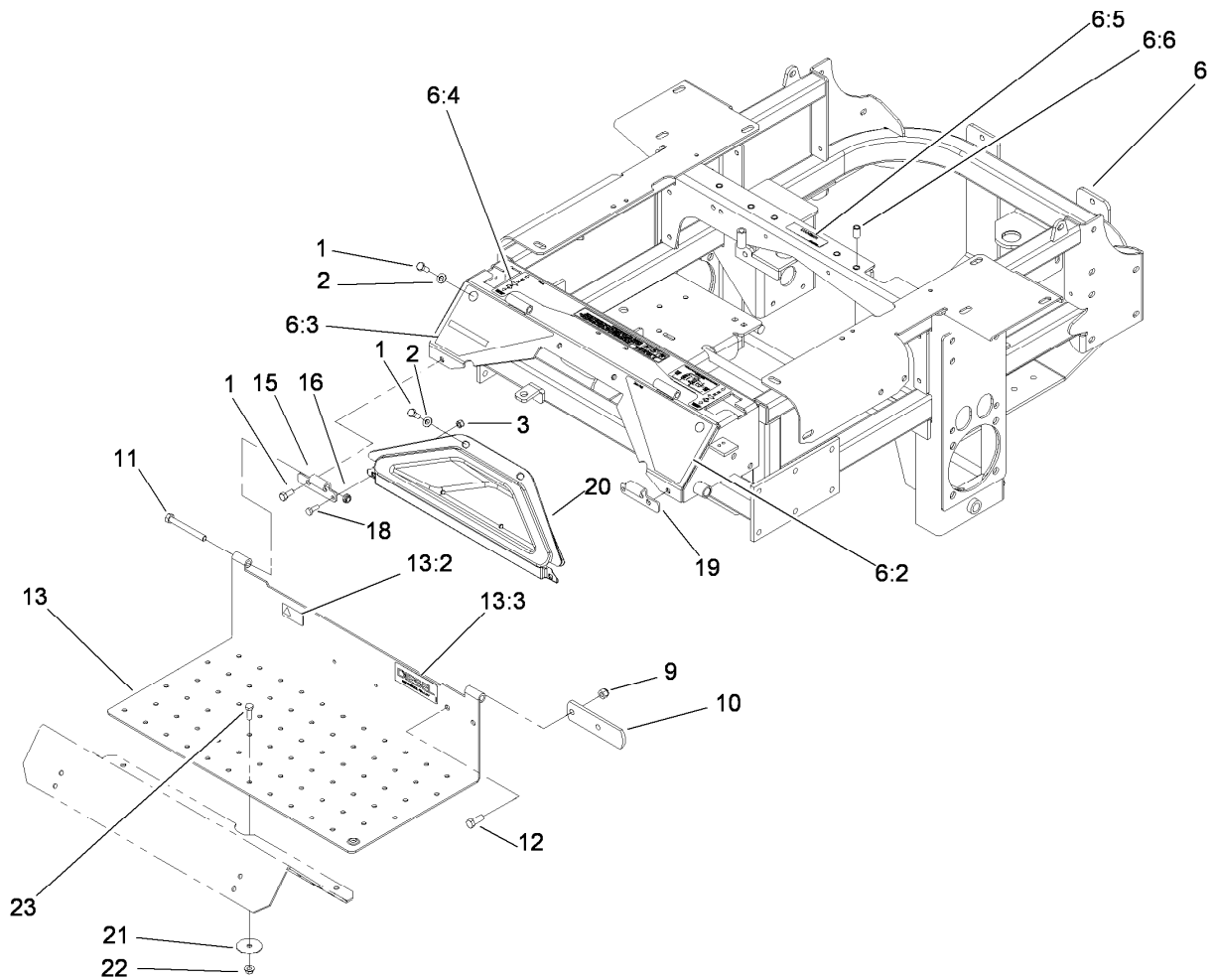
● Not serviced separately



## Fork, Caster Wheel and Z Stand Assembly

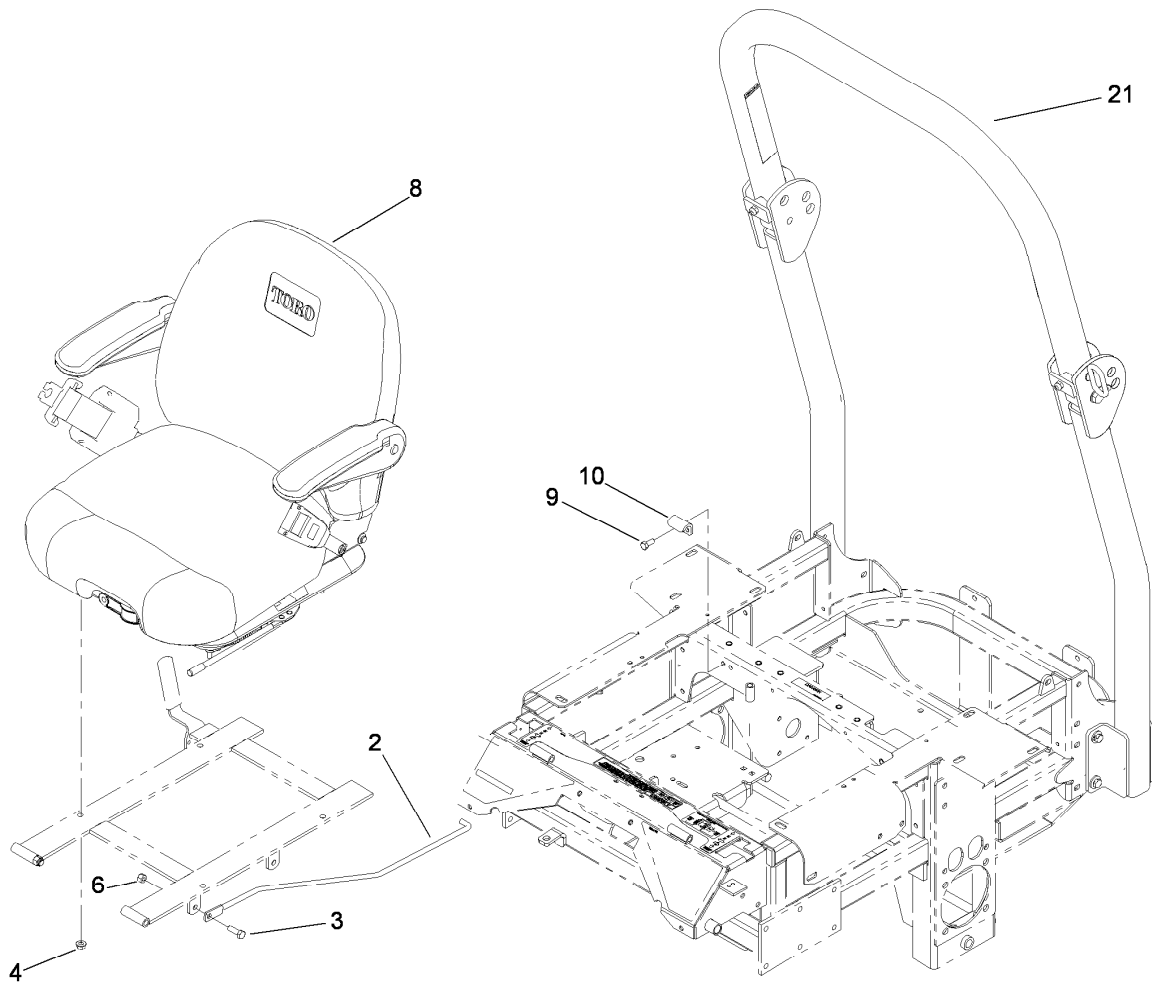
Ref.	Part Number	Qty.	Description
1	110-5746	2	Castor Wheel ASM
1:1	1-633580	2	Seal-Bearing
1:2	1-633581	2	Spacer-Bearing
1:3	1-633585	2	Bearing-Cone, Taper
1:4	1-633959	1	Spacer-Caster, Front
1:5	110-5744	1	Wheel And Tire ASM (Semi-Pneumatic)
1:5:3	1-633584	1	Bearing-Cup
1:21	325-24	1	Screw-HH
1:22	3296-45	1	Nut-Lock, NI
3	107-1874	1	Leg ASM
3:2	106-7464	1	Decal-Z Stand
4	3290-355	1	Pin-Hair
5	100-9692-01	1	Pivot Pin ASM
6	3-6781	2	Washer-Thrust
7	283-55	1	Pin-Clevis
8	323-8	1	Screw-HH
9	100-9686-01	1	Bracket-Latch
10	3296-39	6	Nut-Lock, NI
11	283-71	1	Pin-Lynch
12	254-72	4	Bearing-Cup, Tapered
13	254-94	4	Bearing-Cone, Tapered

Ref.	Part Number	Qty.	Description
14	1-633508	6	Washer-Bellville
15	3296-51	2	Nut-Lock, NI
16	103-4882	2	Cap-Grease
17	105-1647	1	Pin-Hitch, Cotterless
18	100-9385	1	Lanyard-Nylon
19	3296-42	1	Nut-Lock, NI
20	100-6547	2	Cushion-Rubber
21	100-6542-01	1	Bracket-Cradle
22	323-20	1	Screw-HH
23	321-4	1	Screw-HH
24	1-543511	2	Seal-Grease
25	1-642111-01	2	Caster
27	107-9874-01	1	Weight ASM
28	110-0817	2	U-Bolt, 3 Inch
29	3256-4	4	Washer-Flat
30	110-8837	1	Caster Wheel Bearing Kit
30:1	1-633581	2	Spacer-Bearing
30:2	1-633580	2	Seal-Bearing
30:3	1-633584	2	Bearing-Cup
30:4	1-633585	2	Bearing-Cone, Taper
31	103-2768	4	Guard-Seal



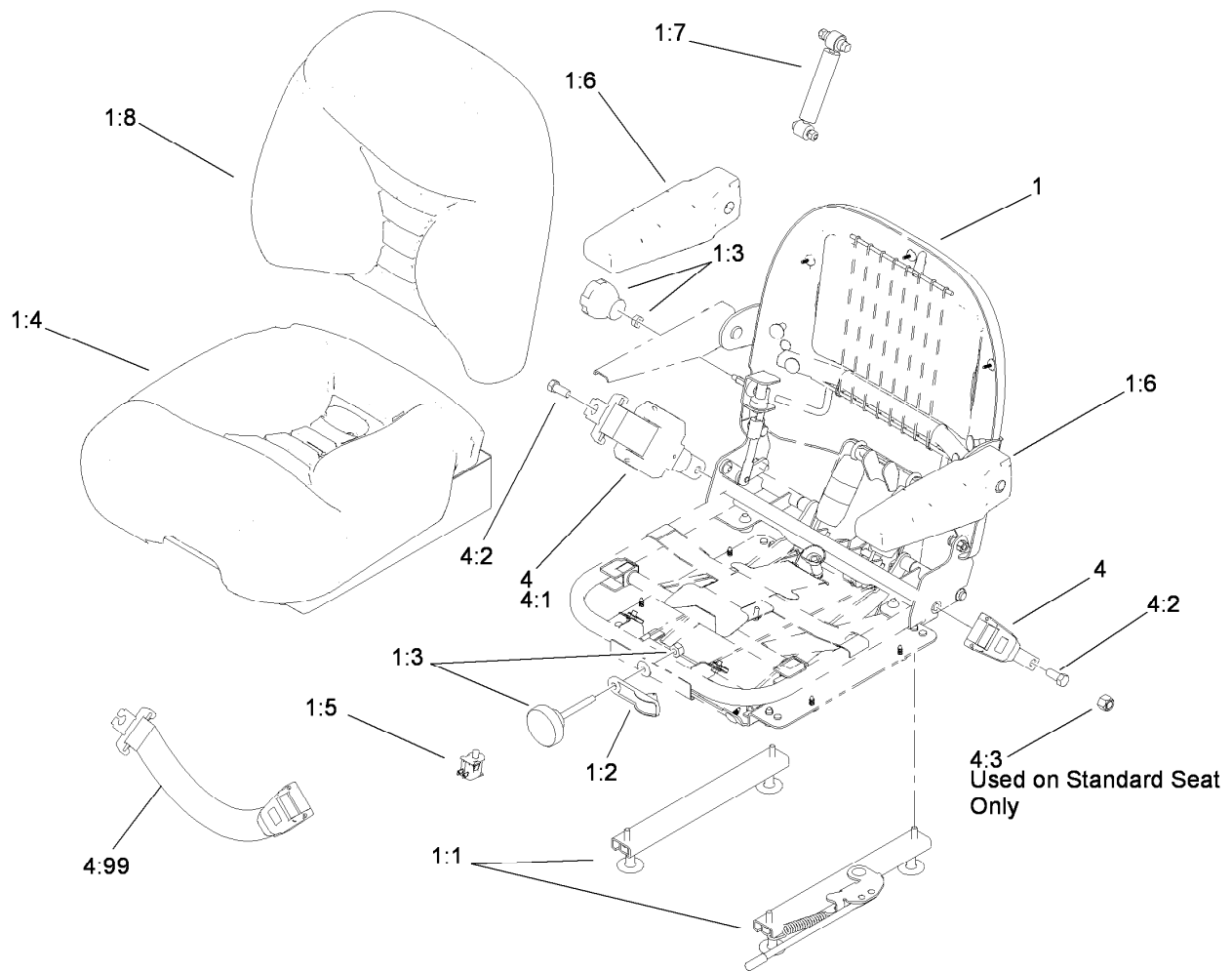
## Traction Frame and Floor Pan Assembly

<i>Ref.</i>	<i>Part Number</i>	<i>Qty.</i>	<i>Description</i>
1	322-43	6	Screw-HH
2	3256-70	4	Washer-Flat
3	3296-42	2	Nut-Lock, NI
6	115-2757	1	Traction Frame ASM
6:2	107-3963	1	Decal-Danger, Left
6:3	107-3964	1	Decal-Warning, Right
6:4	110-0820	1	Decal-Console, Top (Ce)
6:5	98-1977	1	Decal-Warning
6:6	32148-11	5	Insert-Threaded
9	3296-39	2	Nut-Lock, NI
10	1-633964-03	1	Stop-Brake, Park
11	323-20	2	Screw-HH
12	323-6	2	Screw-HH
13	115-3851	1	Floor Pan ASM
13:2	98-4387	1	Decal-Protection, Ear
13:3	114-5879	1	Decal-Diesel, Bio-Ready
15	106-7488-03	1	Hinge-Floorpan, LH
16	3296-59	2	Nut-Lock, NI
18	321-4	2	Screw-HH
19	106-7489-03	1	Hinge-Floorpan, RH
20	106-7498	1	Pocket
21	1-653036	1	Washer
22	32128-25	1	Nut-HF
23	322-4	1	Screw-HH



## Roll-Over Protection System Assembly

<i>Ref.</i>	<i>Part Number</i>	<i>Qty.</i>	<i>Description</i>
2	108-5341	1	Rod-Prop, Seat
3	322-5	1	Screw-HH
4	32128-20	4	Nut-HF
6	3296-29	3	Nut-Lock, NI
8	110-0838	1	Deluxe Seat ASM
9	322-3	2	Screw-HH
10	107-3058	1	Catch-Latch, Seat
21	110-0877	1	ROPS Kit

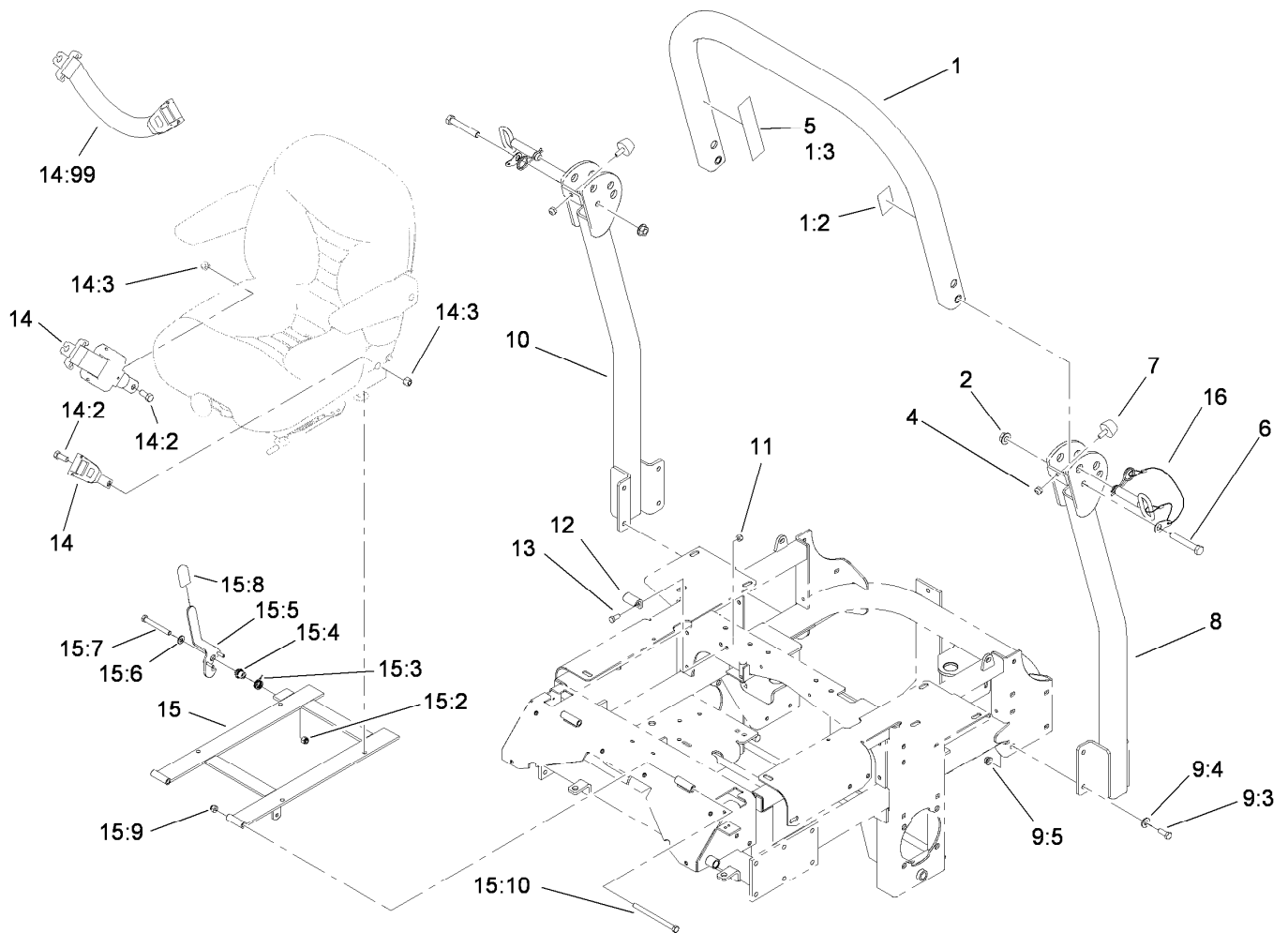


## Deluxe Seat Assembly No. 110-0838

<i>Ref.</i>	<i>Part Number</i>	<i>Qty.</i>	<i>Description</i>
1	112-8355	1	Seat-Suspension
1:1	107-1880	1	Seat Track Kit
1:2	107-1885	1	Weight Indicator Kit
1:3	107-1881	1	Knob Kit
1:4	107-1883	1	Bottom Cushion Kit
1:5	82-2190	1	Switch-Bail
1:6	107-1887	1	Armrest Kit
1:7	107-1884	1	Shock Absorber Kit
1:8	112-8356	1	Cushion-Back
4	110-0883	1	Retractable Seatbelt Kit
4:1		1	Seatbelt-Retractable ●
4:2	3212-4	2	Screw-HH
4:3	3296-7	2	Nut-Lock
4:99	109-6226	1	Seat Belt Extension Kit

● Not serviced separately



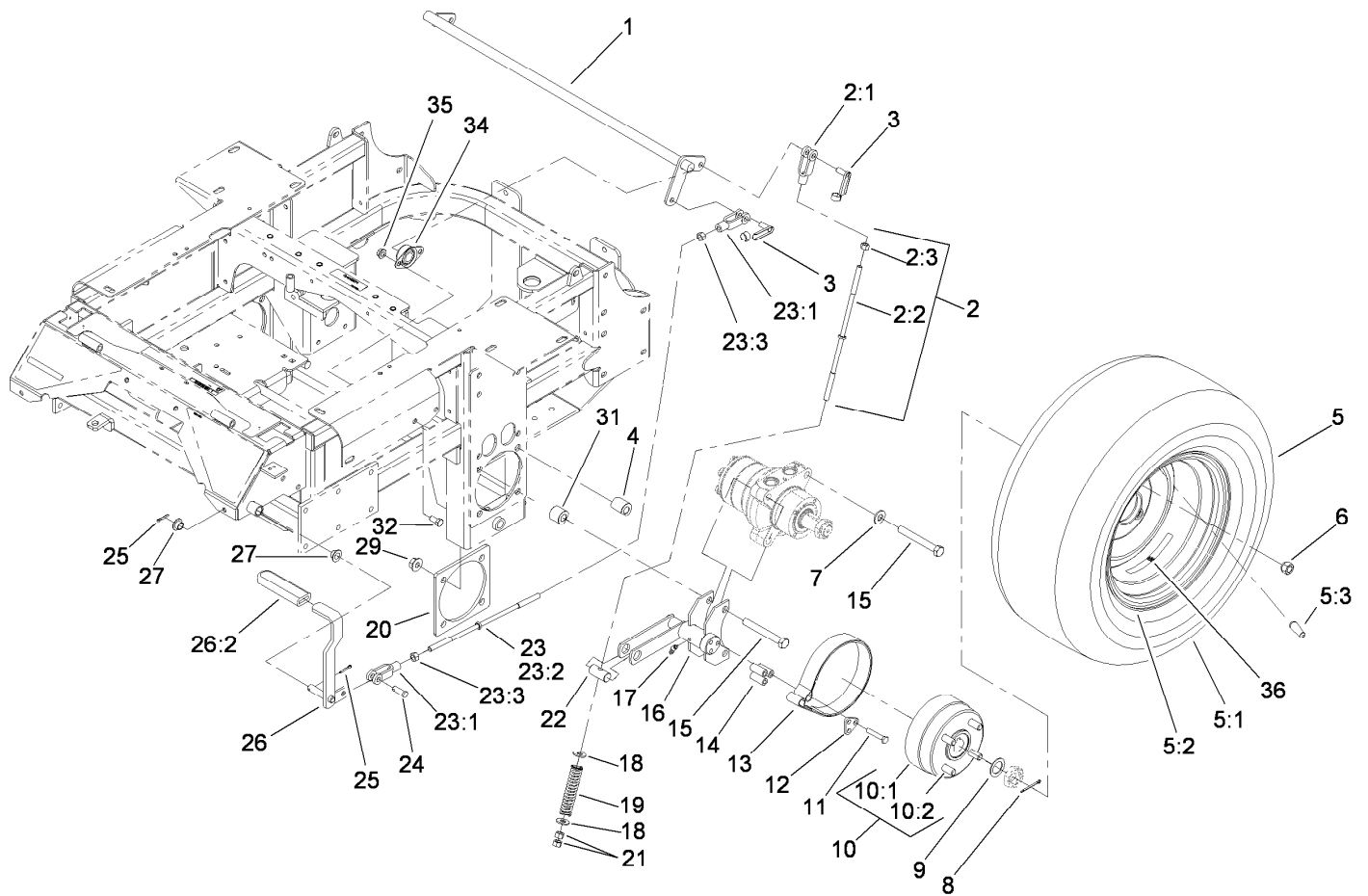


## Roll-Over Protection System Assembly No. 110-0877

Ref.	Part Number	Qty.	Description	Ref.	Part Number	Qty.	Description
1		1	Upper Tube ASM ■	12	107-3058	1	Catch-Latch, Seat
1:2	107-2101	1	Decal-ROPS	13	322-3	2	Screw-HH
1:3	107-2102	1	Decal-Warning, Folding ROPS	14	110-0883	1	Retractable Seatbelt Kit
2	32128-23	2	Nut-HF	14:2	3212-4	2	Screw-HH
4	3296-73	2	Nut-Lock, NI	14:3	3296-7	2	Nut-Lock
5	107-3069	1	Decal-Warning, Folding ROPS	14:99	109-6226	1	Seat Belt Extension Kit
6	325-13	2	Screw-HH	15	110-0874	1	Seatframe ASM
7	109-2365	2	Bumper-Rubber (W/Stud)	15:2	3296-39	1	Nut-Lock, NI
8		1	Tube-Support, LH ■	15:3	107-0076	1	Spring-Torsion
9		1	Bag-Bolt, ROPS ●	15:4	107-0075	1	Bushing-Latch, Seat
9:3	323-6	8	Screw-HH	15:5	107-3083	1	Latch ASM
9:4	98-5975	8	Washer-Belleville	15:6	3256-24	1	Washer-Flat
9:5	3290-357	8	Nut-HHF, Whiz	15:7	323-20	1	Screw-HH
10		1	Tube-Support, RH ■	15:8	103-4434	1	Grip-Lever
11	3296-29	2	Nut-Lock, NI	15:9	3296-39	2	Nut-Lock, NI
				15:10	323-39	2	Screw-HH
				16	103-4553	2	ROPS Fold Pin ASM

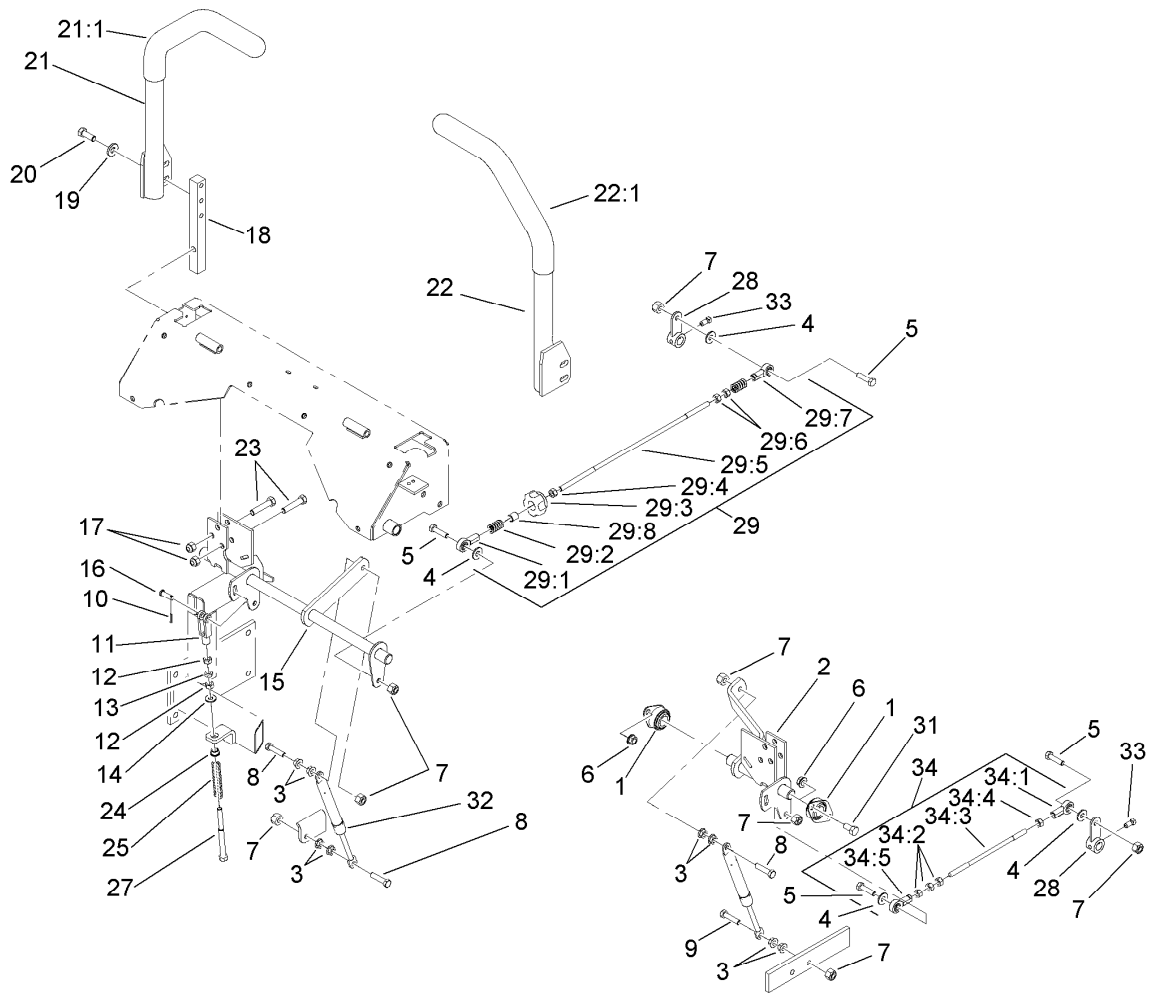
● Not illustrated

■ Not serviced separately



## Main Frame and Rear Wheel Assembly

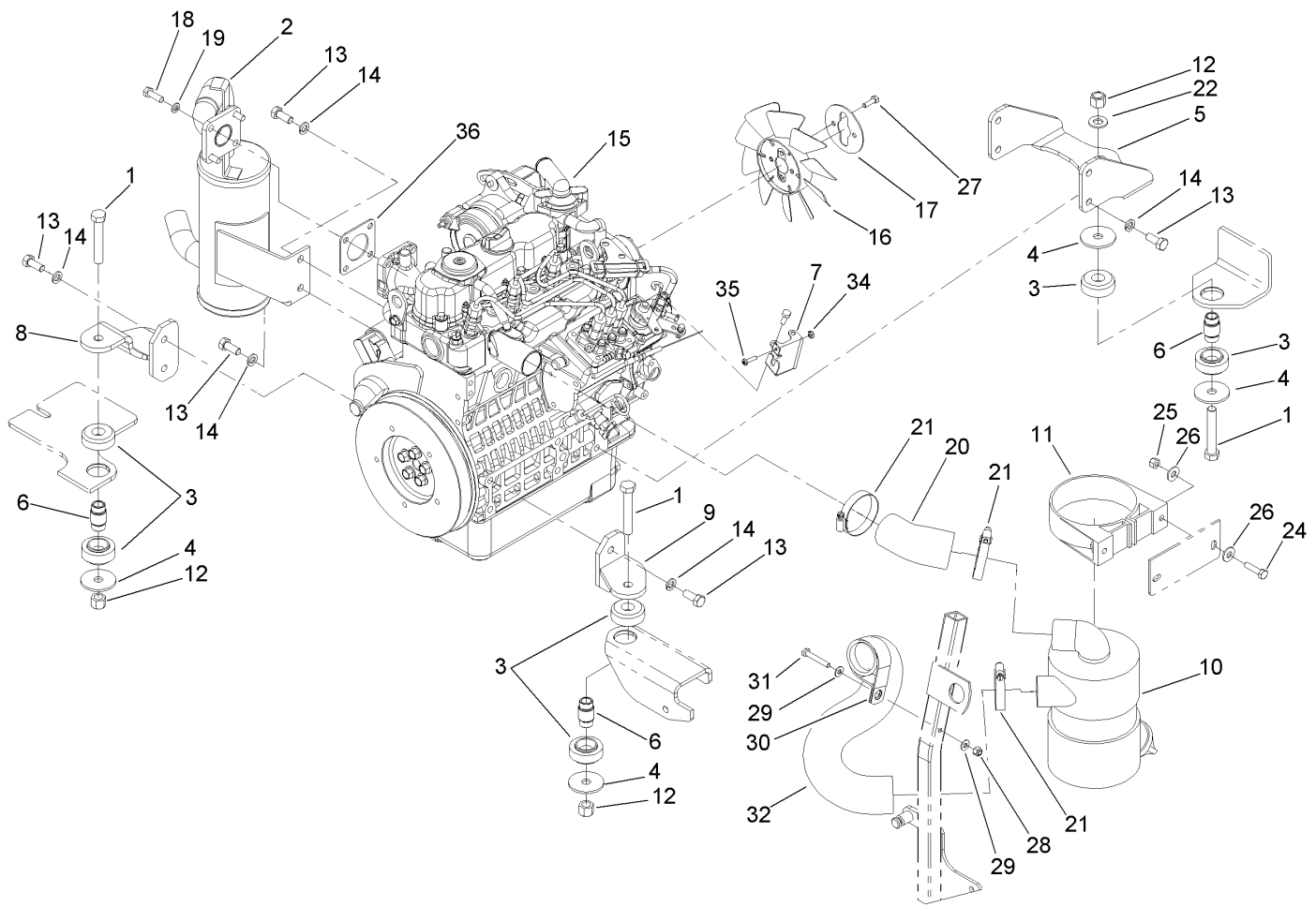
Ref.	Part Number	Qty.	Description	Ref.	Part Number	Qty.	Description
1	1-632217-03	1	Shaft-Brake	16	103-0352-03	2	Bracket-Brake
2	108-5963	2	Brake Rod ASM	17	1481	2	Fitting-Grease
2:1	1-633131	1	Yoke-Linkage, Brake	18	3256-4	4	Washer-Flat
2:2	108-5980	1	Rod-Brake	19	1-633454	2	Spring-Brake
2:3	3219-3	1	Nut-Hex	20	103-3271-03	2	Plate-Reinforcement
3	103-2399	3	Pin-Spring, Clevis	21	3219-3	4	Nut-Hex
4	114-1185	4	Spacer-Wheel, Long	22	1-633144	2	Pin-Trunion
5	1-653010	2	Wheel And Tire ASM	23	108-5962	1	Brake Rod ASM
5:1	1-653160	1	Tire	23:1	1-633131	2	Yoke-Linkage, Brake
5:2	1-653158	1	Wheel	23:2	1-633477	1	Rod-Brake
5:3	232-27	1	Stem-Valve	23:3	3219-3	2	Nut-Hex
6	242-50	8	Nut-Lug	24	1-808285	1	Pin-Clevis
7	87-7270	4	Washer-Thrust	25	3272-10	2	Pin-Cotter
8	1-806800	2	Pin-Cotter	26	1-634500	1	Brake Lever ASM
9	1-523157	2	Washer-Spacer	26:2	1-633268	1	Grip-Lever
10	103-0590	2	Hub And Wheel ASM	27	1-513140	2	Bearing-Control
10:1	103-0589	1	Wheel Hub ASM	29	32128-49	8	Nut-HHF
10:2	1-633926	4	Stud-Wheel	31	114-1184	4	Spacer-Wheel, Short
11	322-9	6	Screw-HH	32	323-4	4	Screw-HH
12	103-0374	2	Retainer-Band, Brake	34	1-633102	2	Bearing-Flange, Side
13	103-0355	2	Band-Brake	35	3290-357	4	Nut-HHF, Whiz
14	103-0384	6	Spacer	36	109-7949	2	Decal
15	325-18	8	Screw-HH				



## Hydro Control Assembly

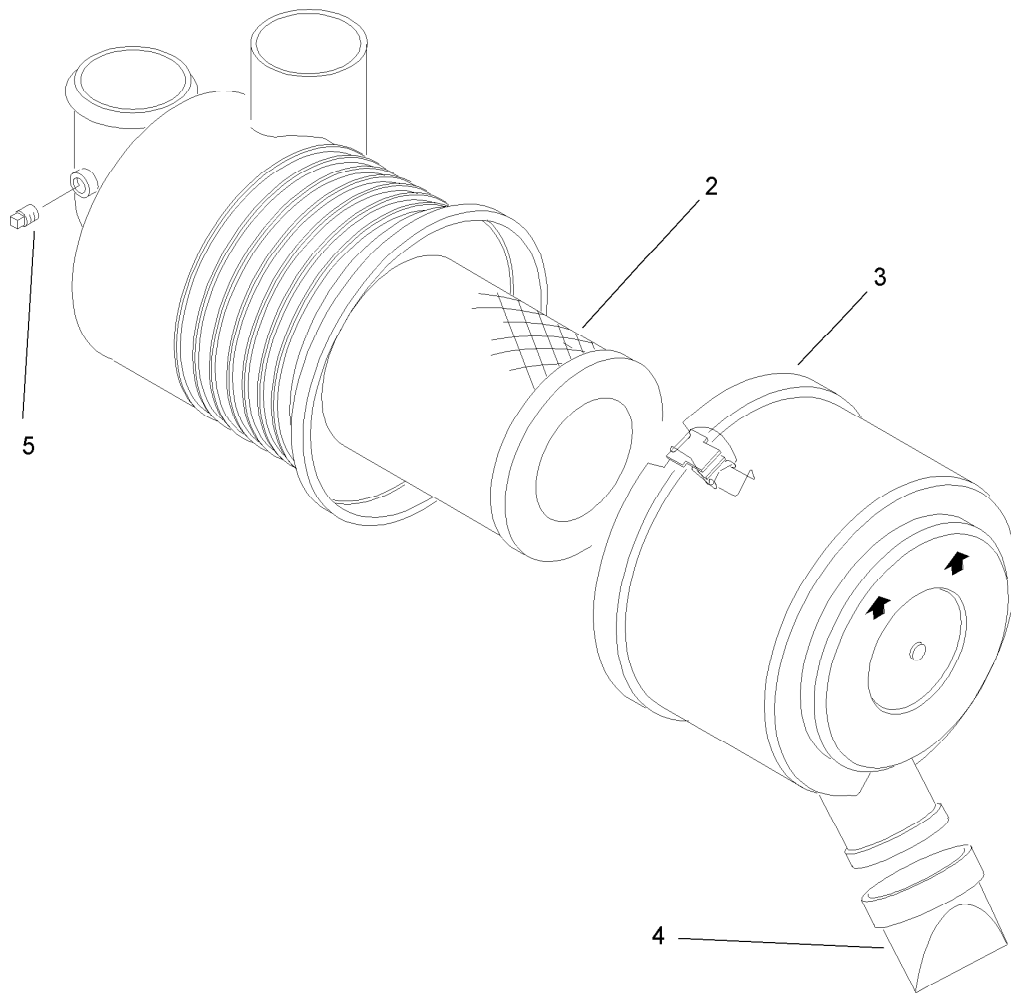
Ref.	Part Number	Qty.	Description
1	1-633102	4	Bearing-Flange, Side
2	107-3480	1	LH Motion Control ASM
3	32128-20	10	Nut-HF
4	3256-3	4	Washer-Flat
5	322-6	4	Screw-HH
6	3290-357	6	Nut-HHF, Whiz
7	3296-29	8	Nut-Lock, NI
8	1-403180	3	Screw-HH
9	322-41	1	Screw-HH
10	3272-5	2	Pin-Cotter
11	1-303105	2	Yoke-Adjustable
12	3219-2	4	Nut-Hex
13	3220-2	2	Nut-Jam
14	3256-2	2	Washer-Flat
15	107-3481	1	RH Motion Control ASM
16	1-808280	2	Pin-Clevis
17	3296-39	6	Nut-Lock, NI
18	103-0407	2	Arm-Shaft, Control
19	98-5975	4	Washer-Belleville
20	323-6	4	Screw-HH
21	108-7237	1	RH Lever ASM
21:1	106-9987	1	Grip-Control, Motion
22	108-7238	1	LH Lever ASM
22:1	106-9987	1	Grip-Control, Motion

Ref.	Part Number	Qty.	Description
23	323-9	6	Screw-HH
24	1-603735	2	Bushing-Flanged
25	1-603807	2	Spring-Return, Neutral
27	1-603737	2	Bolt-Return, Neutral
28	107-3470-03	2	Hydraulic Control Arm ASM
29	107-3474	1	RH Control Rod ASM
29:1	1-543017	1	Balljoint-RH
29:2	1-323245	2	Spring-Compression
29:3	103-3060	1	Knob-Tracking
29:4	3219-2	1	Nut-Hex
29:5	107-3472	1	Rod-Control, RH
29:6	1-804524	2	Nut
29:7	1-633152	1	Balljoint-LH
29:8	103-1166	1	Spacer-Tube, Pump Link
31	323-4	6	Screw-HH
32	109-2339	2	Damper-Control, Motion
33	1-803022	2	Screw-Set
34	107-3475	1	LH Control Rod ASM
34:1	1-543017	1	Balljoint-RH
34:2	3219-2	3	Nut-Hex
34:3	107-3473	1	Rod-Control, LH
34:4	1-804524	1	Nut
34:5	1-633152	1	Balljoint-LH



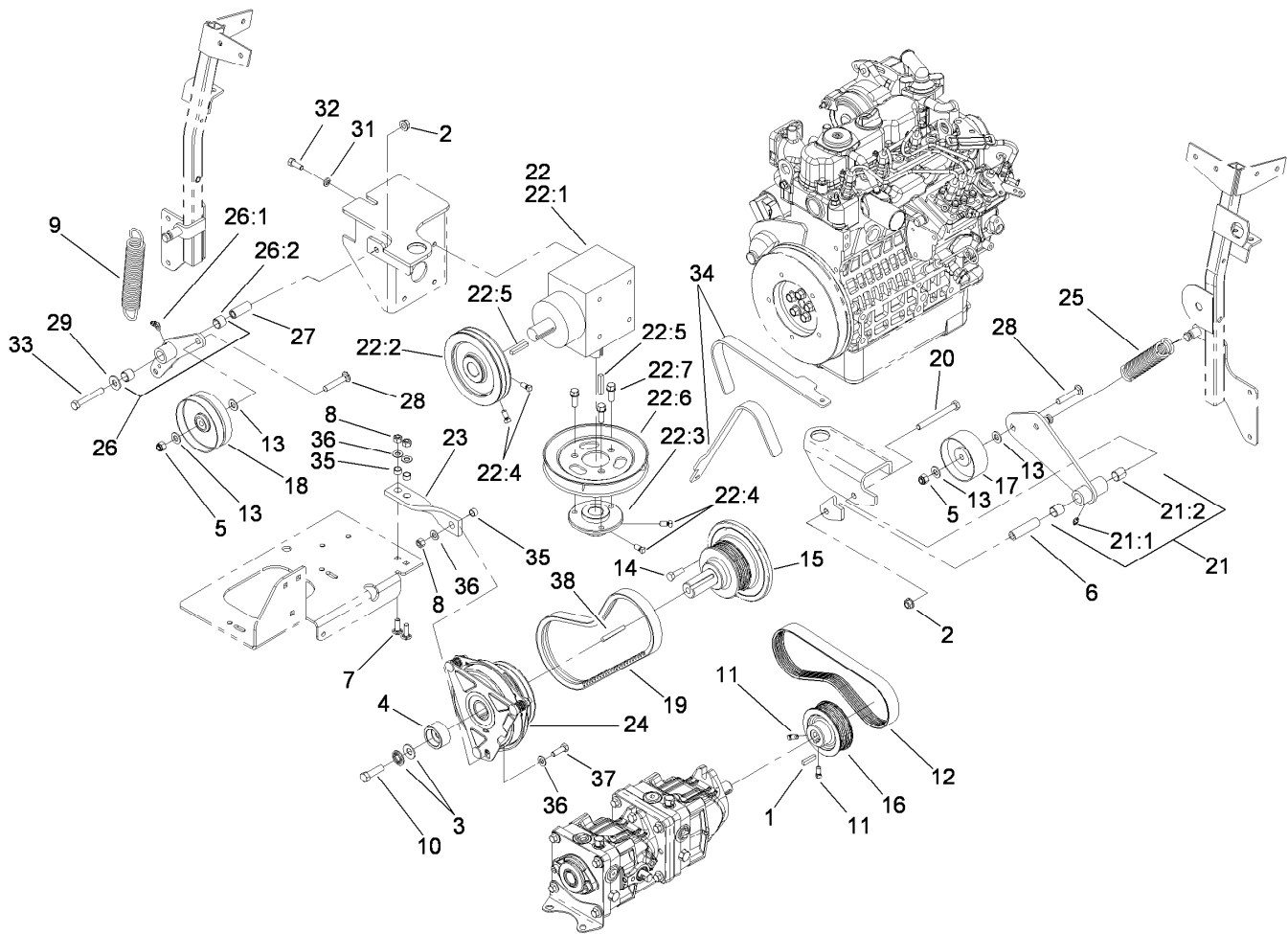
## Engine, Exhaust and Air Intake Assembly

Ref.	Part Number	Qty.	Description	Ref.	Part Number	Qty.	Description
1	325-12	3	Screw-HH	18	33114-025	4	Screw-HH
2	107-9909	1	Muffer	19	3253-4	4	Washer-Lock
3	107-9914	3	Mount-Isolation	20	108-5371	1	Hose-Intake, Air Cleaner
4	55-7960	4	Washer-Large	21	1-643009	3	Clamp-Hose
5	107-9917-03	1	Bracket-Engine Mount, Rear	22	3256-26	1	Washer-Flat
6	110-0300	3	Spacer	24	322-6	2	Screw-HH
7	108-5922	1	Bracket-Support, Throttle	25	3296-29	2	Nut-Lock, NI
8	107-9920-03	1	RH Engine Support ASM	26	3256-23	4	Washer-Flat
9	107-9930-03	1	LH Engine Support ASM	27	33113-020	2	Screw-HH
10	93-2190	1	Air Cleaner ASM	28	3296-42	1	Nut-Lock, NI
11	95-5806	1	Bracket-Mounting	29	3256-22	2	Washer-Flat
12	3296-23	3	Nut-Lock, NI	30	1-643241	1	Clip-Loom
13	43-0090	10	Screw-HH	31	321-10	1	Screw-HH
14	42-9600	10	Washer-Lock, Spring	32	108-5370	1	Hose-Intake, Engine
15	107-9911	1	Engine-Kubota	34	3217-26	1	Nut-Hex
16	110-0814	1	Fan	35	110-0863	1	Screw-Torx
17	110-0816	1	Plate-Retainer, Fan	36	99-8343	1	Gasket-Muffer



## Air Cleaner Assembly No. 93-2190

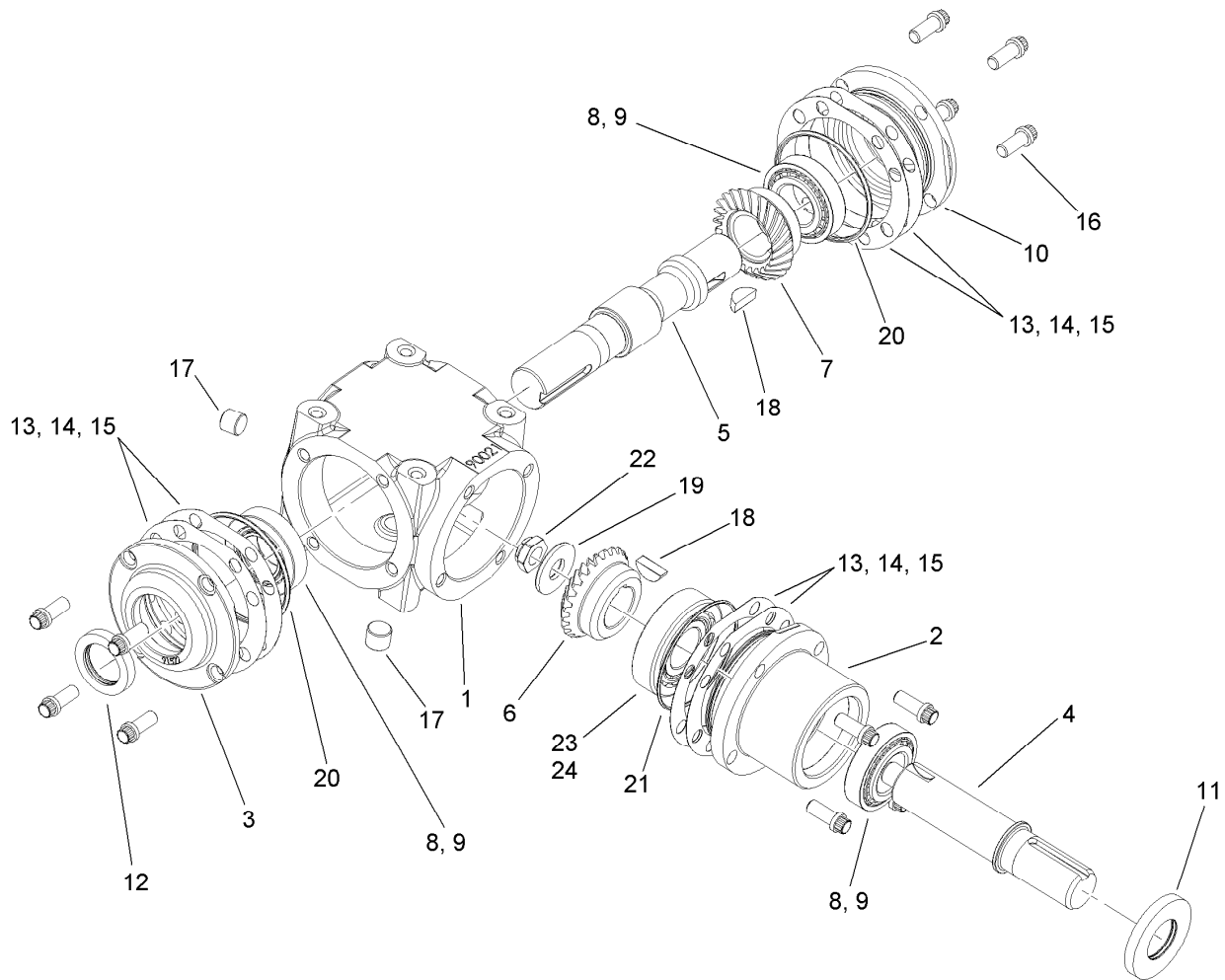
<i>Ref.</i>	<i>Part Number</i>	<i>Qty.</i>	<i>Description</i>
2	108-3811	1	Filter-Air
3	94-3652	1	Cover ASM
4	87-9400	1	Valve-Vacuator
5	285-17	1	Plug-Pipe



## Hydro and Gearbox Assembly

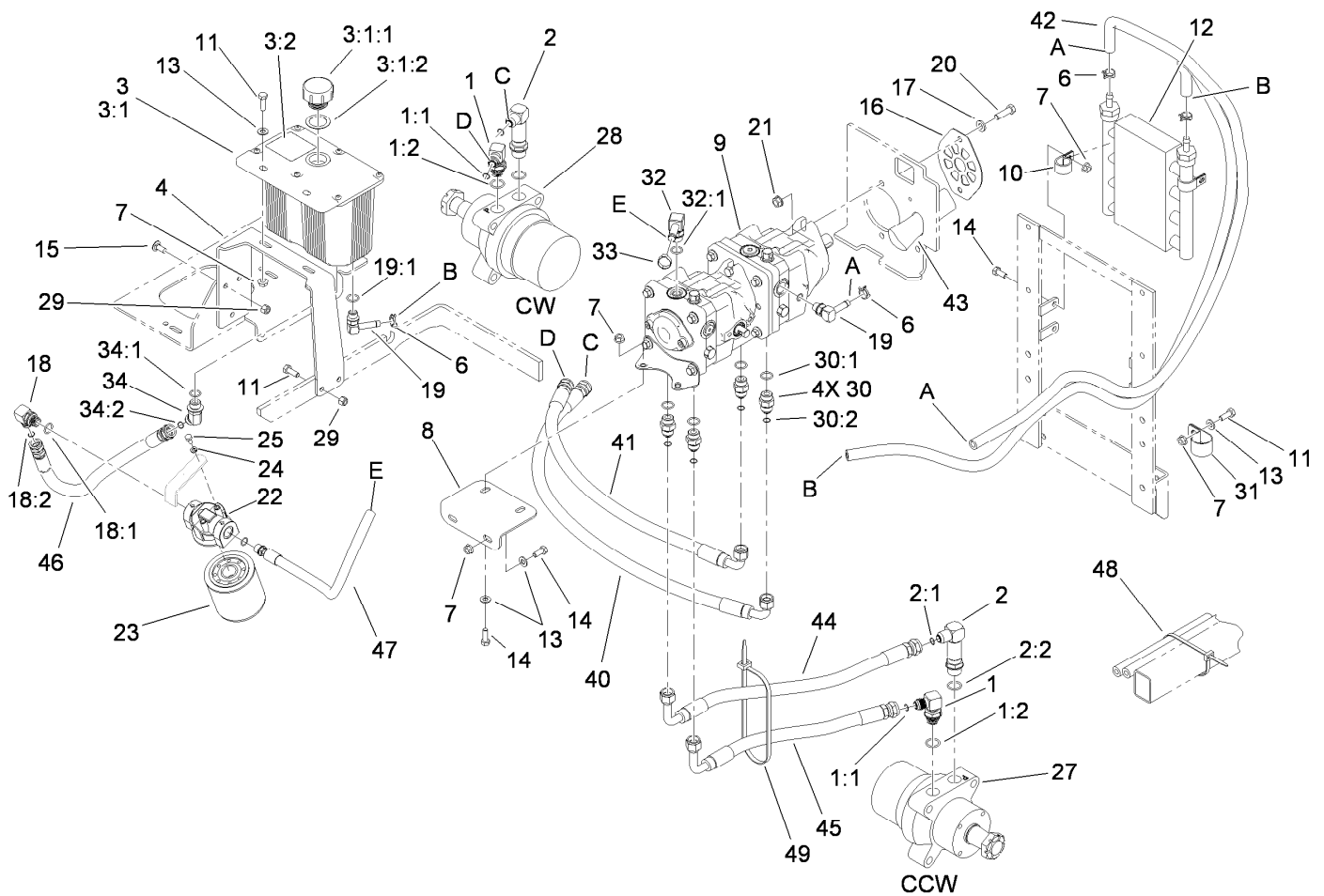
Ref.	Part Number	Qty.	Description	Ref.	Part Number	Qty.	Description
1	5-0698	1	Key	22:2	108-5912	1	Pulley
2	3290-357	2	Nut-HHF, Whiz	22:3	112-3894	1	Hub-Pulley
3	1-603610	2	Washer-Spring	22:4	1-803022	4	Screw-Set
4	114-8152	1	Retainer-Clutch	22:5	67-7490	2	Key-Square
5	3296-39	2	Nut-Lock, NI	22:6	108-5979	1	Pulley-B Section
6	1-603384	1	Bushing-Pivot, Idler	22:7	92-1624	3	Screw-HWH
7	3230-22	2	Screw-CARR	23	112-1781	1	Strap-Stop, Clutch
8	3296-29	3	Nut-Lock, NI	24	112-2320	1	Clutch-Magnetic
9	110-0818	1	Spring-Extension	25	108-5985	1	Spring-Extension
10	3212-6	1	Screw-HH	26	112-2354	1	Gearbox Idler ASM (W/Bearings)
11	1-803022	2	Screw-Set	26:1	1481	1	Fitting-Grease
12	107-9910	1	Belt-V	26:2	103-4681	2	Sleeve-Bearing
13	3256-24	5	Washer-Flat	27	1-603044	1	Bushing
14	33114-025	5	Screw-HH	28	3231-6	2	Screw-CARR
15	112-2335	1	Stub Shaft	29	3256-4	1	Washer-Flat
16	108-5976	1	Pulley	31	3253-4	4	Washer-Lock
17	108-5910	1	Pulley-Flat	32	322-4	4	Screw-HH
18	110-0803	1	Pulley-Flat	33	323-12	1	Screw-HH
19	110-0805	1	Belt-V	34	110-0876	1	Tool-Alignment, Pulley
20	323-15	1	Screw-HH	35	65-9820	3	Spacer
21	108-5939	1	Pump Idler Arm ASM	36	3256-23	4	Washer-Flat
21:1	302-5	1	Fitting-Grease	37	322-5	1	Screw-HH
21:2	1-513034	2	Sleeve-Bearing	38	5-1336	1	Key-Square
22		1	Gearbox ASM ●				
22:1	107-9887	1	Gearbox-90 DEG				

● Not serviced separately



## Gearbox Assembly No. 107-9887

<i>Ref.</i>	<i>Part Number</i>	<i>Qty.</i>	<i>Description</i>
1	110-0843	1	Case
2	110-0853	1	Housing-Pinion
3	100-4566	1	Cap-End, Open
4	110-0844	1	Shaft-Pinion
5	110-0845	1	Shaft-Cross
6	110-0847	1	Gear-Shaft, Cross
7	110-0846	1	Gear-Pinion
8	110-0848	3	Bearing-Cup
9	110-0849	3	Bearing-Cone
10	100-4574	1	Cap-End, Closed
11	100-4575	1	Seal
12	110-0850	1	Seal-Shaft, Cross
13	100-4591	1	Shim-Brown, .010In
14	100-4592	1	Shim-Blue, .005In
15	100-4593	1	Shim-Green, .003In
16	100-4578	12	Screw
17	100-4579	2	Plug
18	3257-33	2	Key-Woodruff
19	100-4581	1	Washer
20	100-4582	2	O-Ring
21	110-0851	1	O-Ring
22	110-0852	1	Nut Lock
23	100-5817	1	Bearing-Cup
24	100-5816	1	Bearing-Cone

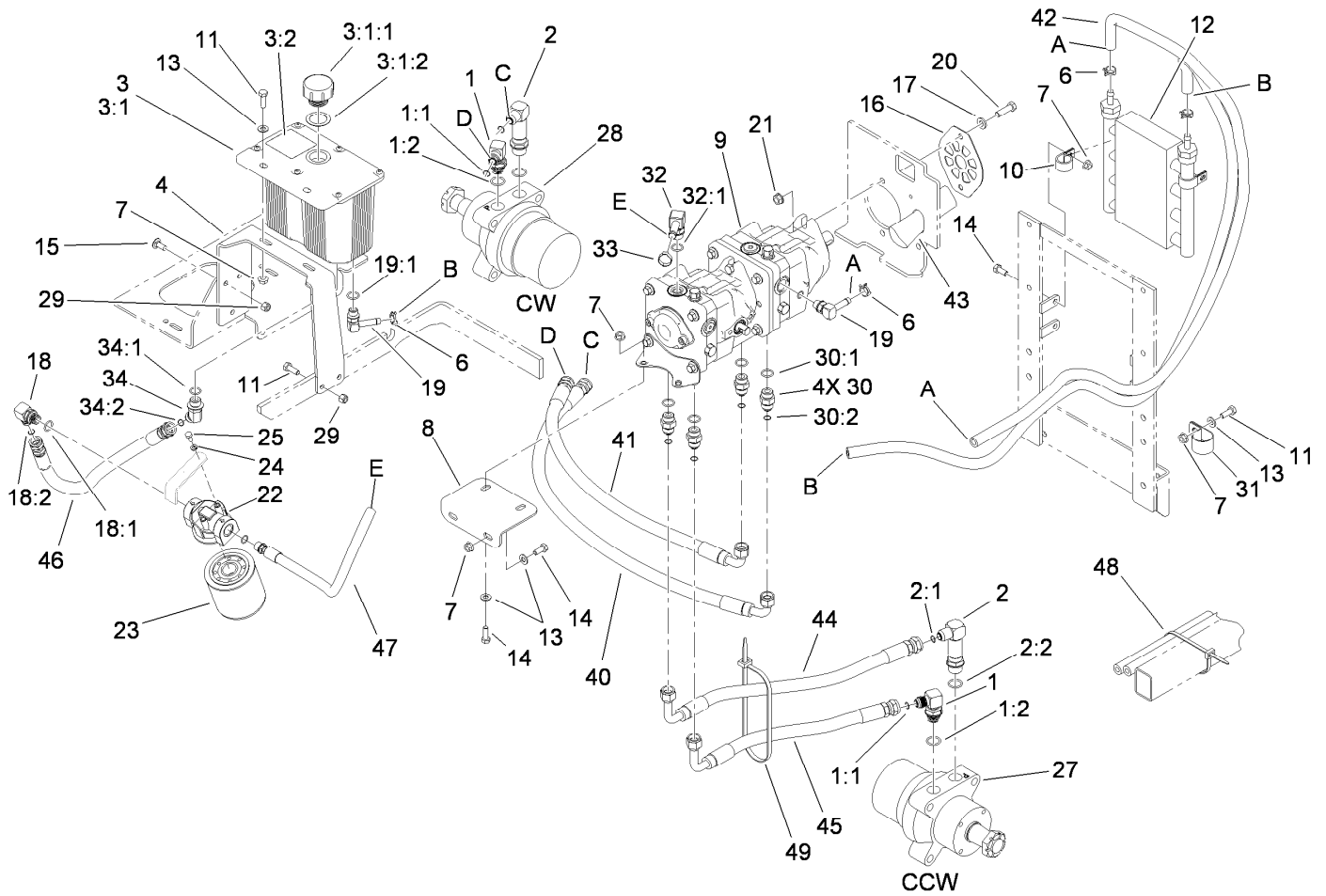


## Hydraulic Tank, Motor and Pump Assembly

Ref.	Part Number	Qty.	Description	Ref.	Part Number	Qty.	Description
1	1-633605	2	Fitting-HYD, 90 DEG	18:2	1-603992	1	O-Ring
1:1	1-603992	1	O-Ring	19	109-6449	2	Fitting-Elbow, 90
1:2	237-80	1	O-Ring	19:1	237-42	1	O-Ring
2	108-5323	2	Fitting-Elbow-90	20	323-8	2	Screw-HH
2:1	1-603992	1	O-Ring	21	3290-357	2	Nut-HHF, Whiz
2:2	237-80	1	O-Ring	22	86-9080	1	Head-Filter
3	108-5320	1	Hydraulic Tank ASM	23	67-8110	1	Cartridge-Filter, Oil
3:1		1	Tank-Hydraulic ●	24	1-805004	2	Washer-Lock
3:1:1	103-1948	1	Cap-Reservoir, HYD	25	321-3	2	Screw-HH
3:1:2	103-1949	1	Gasket-Cap	27	112-8357	1	Motor-Wheel, CCW S2
3:2	107-2131	1	Decal-Surface, Hot (Ce)	28	112-8358	1	Motor-Wheel, CW S2
4	108-5352-03	1	Bracket-Tank, Hydraulic	29	3296-29	4	Nut-Lock, NI
6	110-6242	4	Clamp-Hose	30	1-603990	4	Fitting-Straight
7	32128-20	11	Nut-HF	30:1	1-603920	1	O-Ring
8	107-3462-03	1	Bracket-Pump, Front	30:2	1-603992	1	O-Ring
9	107-9885	1	Tandem Pump ASM	31	2412-147	1	Clamp
10	110-0824	4	R-Clamp	32	108-5316	1	Fitting-Elbow, 90 DEG
11	322-5	4	Screw-HH	32:1	237-79	1	O-Ring
12	114-8168	1	Cooler-Oil, Hydro	33	103-2104	1	Clamp-Hose
13	3256-23	7	Washer-Flat	34	1-523221	1	Fitting-HYD, 45 DEG
14	322-3	8	Screw-HH	34:1	1-603920	1	O-Ring
15	3230-23	3	Screw-CARR	34:2	1-603992	1	O-Ring
16	108-5367-03	1	Plate-Shield, Pump	40	107-3495	1	Hydraulic Hose ASM
17	3256-24	2	Washer-Flat	41	107-3490	1	Hydraulic Hose ASM
18	103-2153	1	Fitting-90 DEG	42	114-8169	2	Hose-Hydraulic
18:1	1-603920	1	O-Ring	43	114-8201	1	Sleeve-Fabric

● Not serviced separately



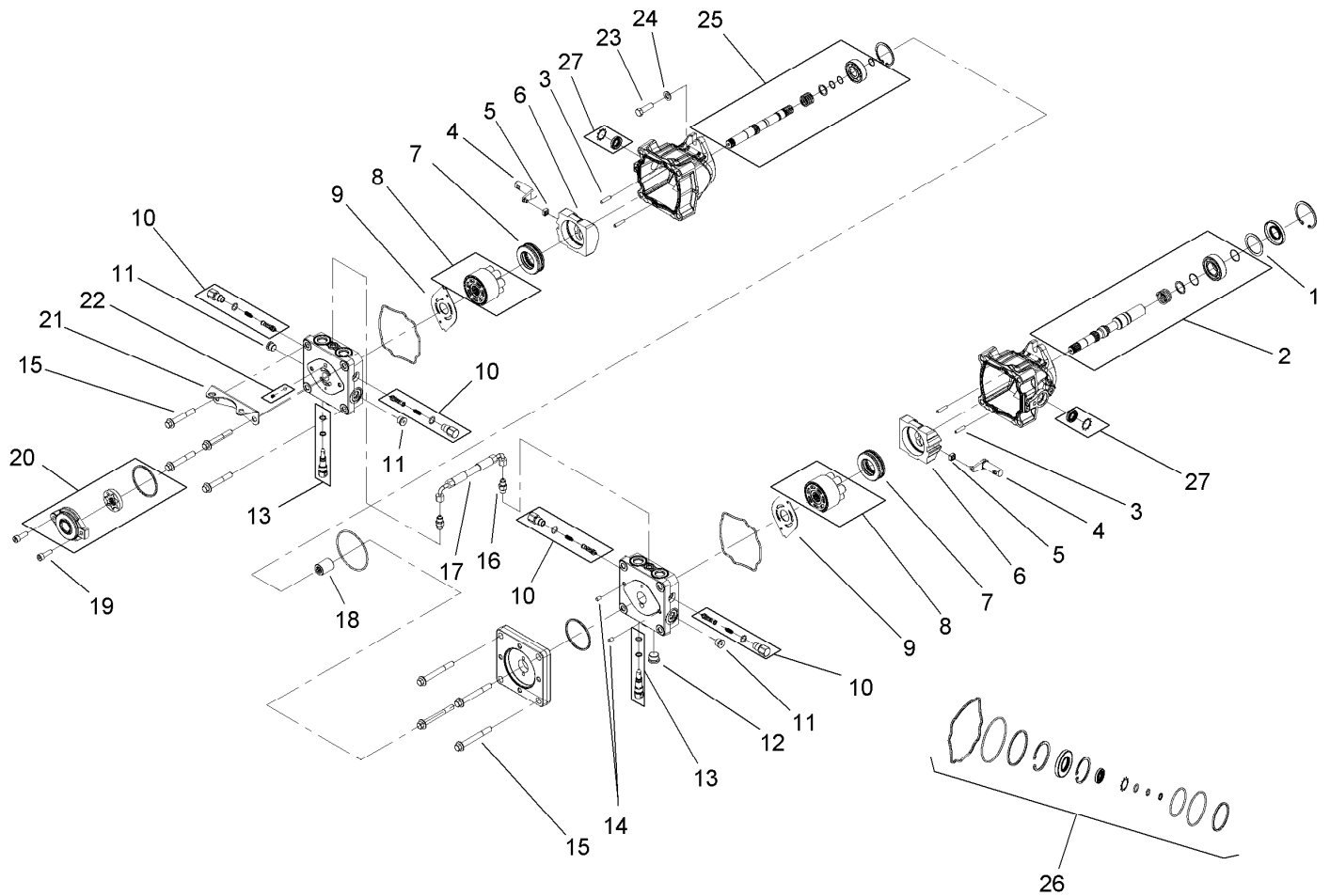


## Hydraulic Tank, Motor and Pump Assembly (continued)

Ref.	Part Number	Qty.	Description
44	108-5318	1	Hydraulic Hose ASM
45	107-3491	1	Hydraulic Hose ASM
46	110-3854	1	Hydraulic Hose ASM

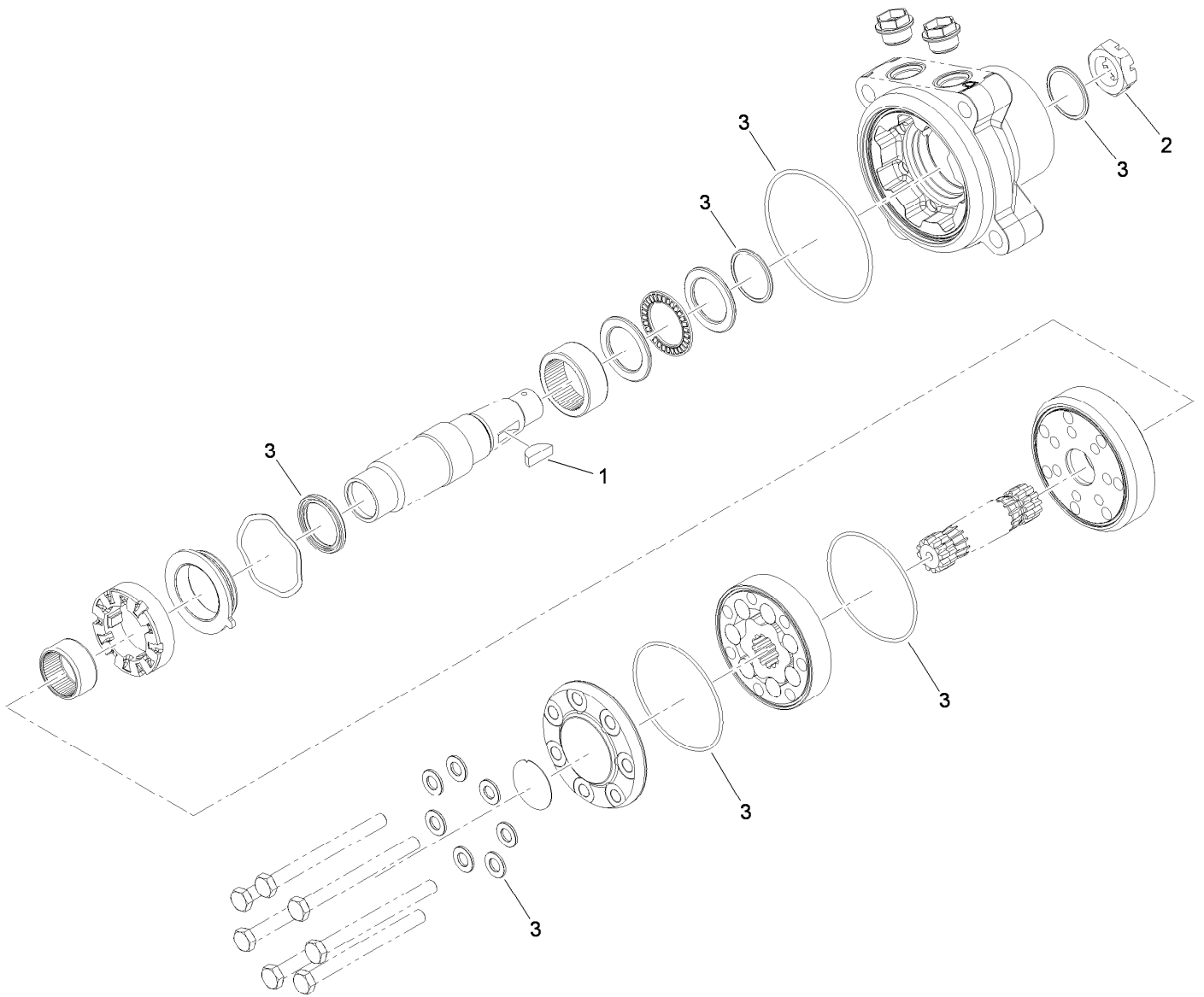
Ref.	Part Number	Qty.	Description
47	108-5374	1	Hydraulic Hose ASM
48	1-303335	1	Tie-Plastic
49	1-809066	1	Tie-Plastic

● Not serviced separately



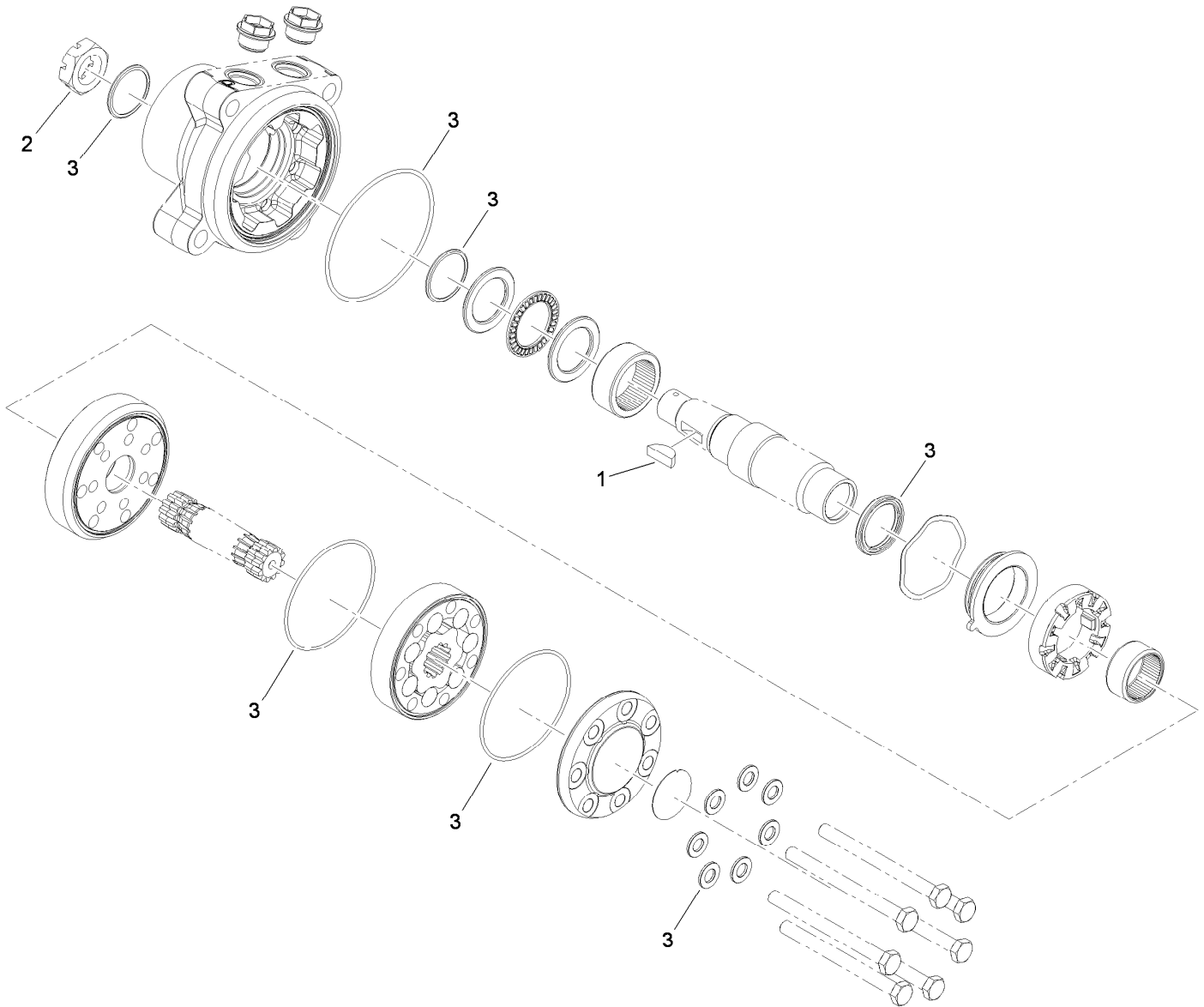
## Tandem Pump Assembly No. 107-9885

<i>Ref.</i>	<i>Part Number</i>	<i>Qty.</i>	<i>Description</i>	<i>Ref.</i>	<i>Part Number</i>	<i>Qty.</i>	<i>Description</i>
1	112-4168	1	Spacer	15	112-4157	8	Bolt
2	112-4151	1	Input Pump Shaft Kit	16	112-4158	2	Fitting-Straight
3	106-8753	4	Pin-Headless, Straight	17	112-4159	1	Hose ASM
4	112-4152	2	Arm-Trunnion	18	112-4160	1	Coupling
5	94-1910	2	Guide-Slot	19	112-4161	2	Bolt
6	112-4153	2	Swashplate	20	112-4162	1	Charge Pump Kit
7	112-4154	2	Bearing-Thrust	21	112-4163	1	Bracket-Support, Pump
8	108-2112	2	Cylinder Block Kit	22	112-4164	1	Charge Relief Kit
9	108-6801	2	Plate-Valve	23	112-4165	2	Bolt-HSH
10	112-4155	4	Shock Valve Kit	24	112-4166	2	Washer
11	104-2189	3	Plug-Thread, Straight	25	112-4167	1	Second Pump Shaft Kit
12	112-4156	1	Plug-Steel	26	112-4150	1	Overhaul Seal Kit
13	106-8759	2	Bypass Valve Kit	27	114-8155	1	Trunnion Seal Kit
14	104-2170	2	Pin				



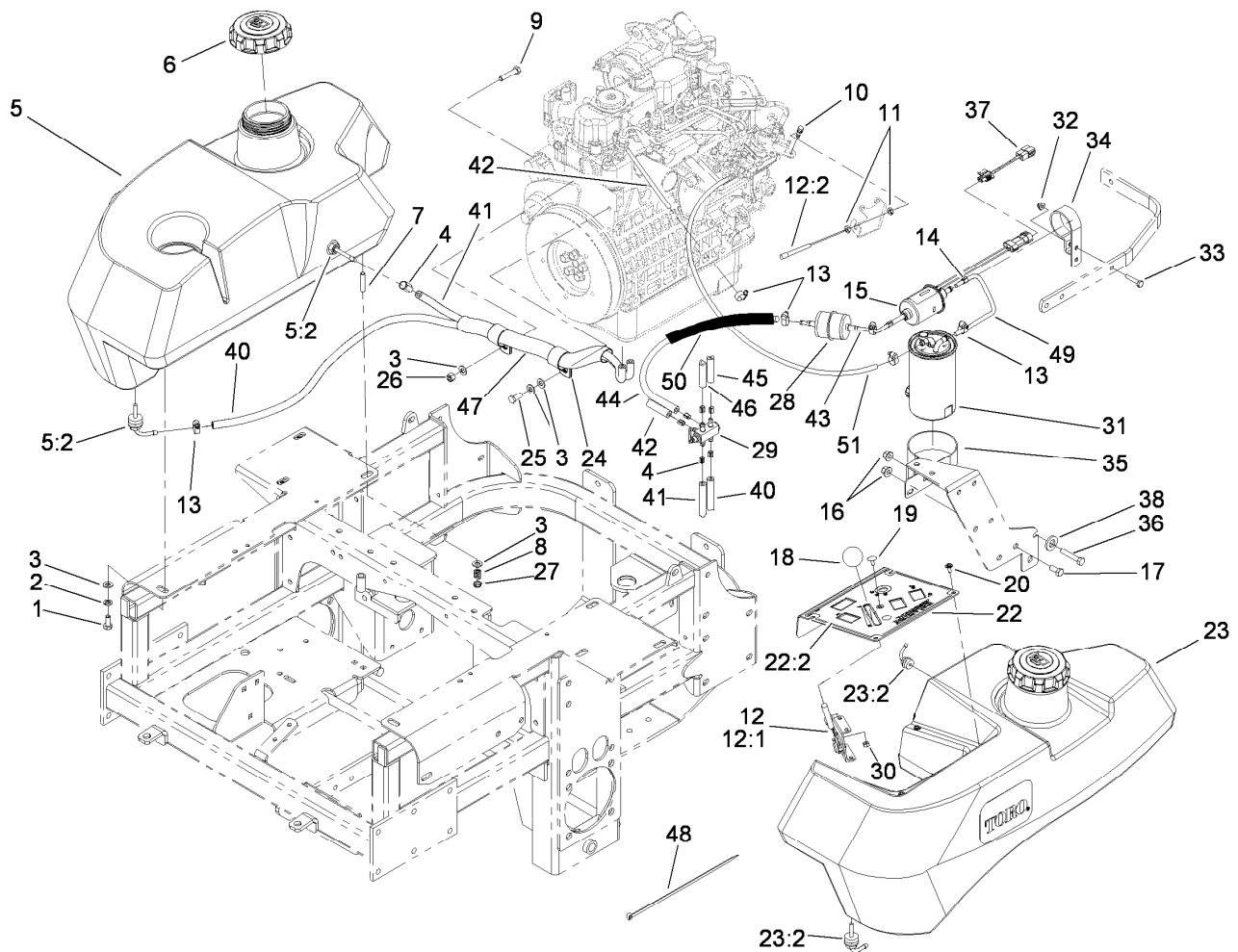
## Hydraulic Motor Assembly No. 112-8357 (CCW)

<i>Ref.</i>	<i>Part Number</i>	<i>Qty.</i>	<i>Description</i>
1	3257-42	1	Key-Woodruff
2	1-809036	1	Nut-HH
3	109-5966	1	Wheel Motor Seal Kit



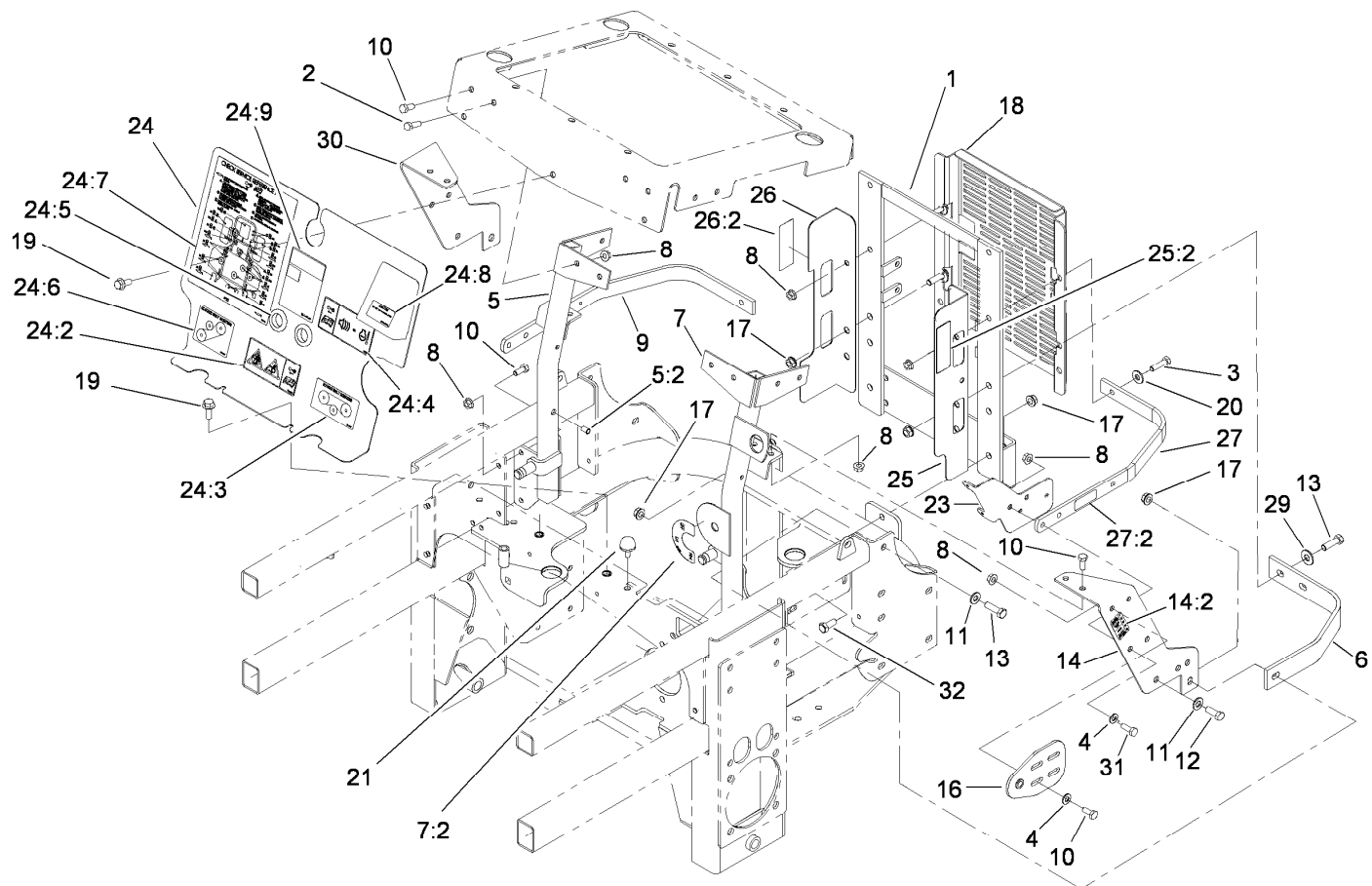
## Hydraulic Motor Assembly No. 112-8358 (CW)

<i>Ref.</i>	<i>Part Number</i>	<i>Qty.</i>	<i>Description</i>
1	3257-42	1	Key-Woodruff
2	1-809036	1	Nut-HH
3	109-5966	1	Wheel Motor Seal Kit



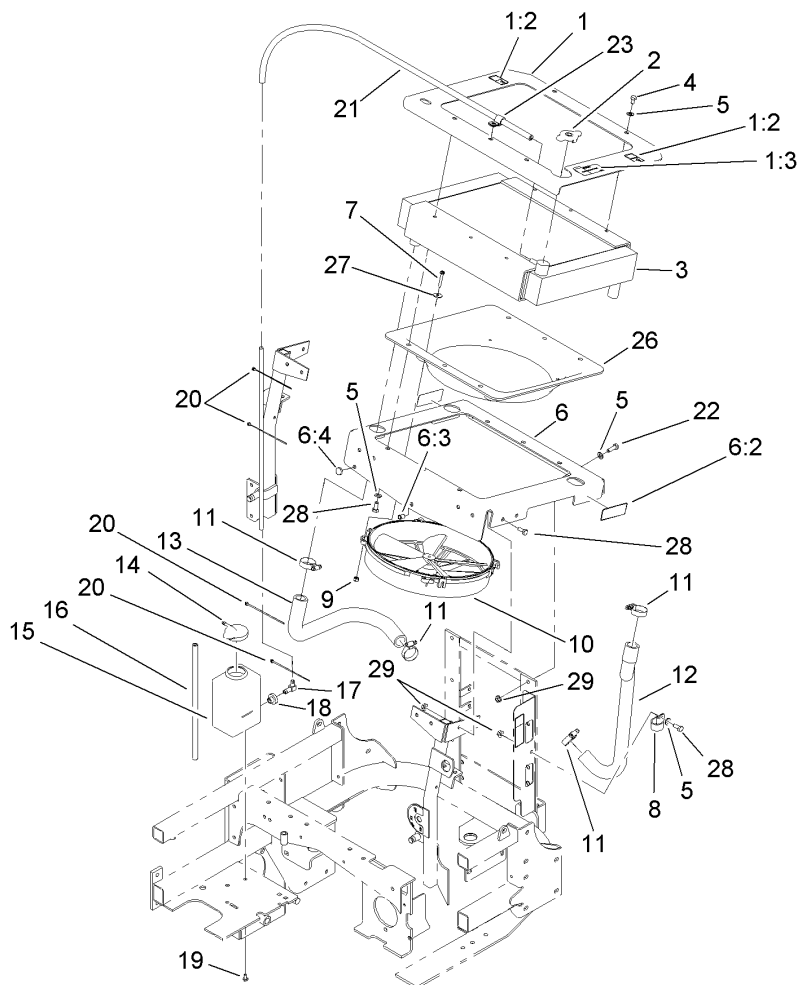
## Fuel System and Throttle Control Assembly

Ref.	Part Number	Qty.	Description	Ref.	Part Number	Qty.	Description
1	322-3	2	Screw-HH	24	1-643312	2	Clip-Loom
2	1-805005	2	Washer-Lock	25	33114-020	1	Screw-HH
3	3256-23	11	Washer-Flat	26	3296-29	1	Nut-Lock, NI
4	1-643293	8	Clamp-Hose, Fuel	27	3296-47	6	Nut-Lock, NI
5	114-8221	1	RH Fuel Tank ASM	28	112-7836	1	Filter-Inline
5:2	103-2615	2	Fitting-Fuel, Bulkhead	29	1-643234	1	Valve-Fuel, Dual Flow
6	110-0897	2	Cap-Fuel, Diesel	30	3296-2	2	Nut-Lock, NI
7	1-633023	6	Stud	31	112-9188	1	Element-Filter, Fuel/Water
8	1-633349	6	Spring-Tank, Fuel	32	104-7201	1	Nut-HF
9	322-7	1	Screw-HH	33	321-8	1	Screw-HH
10	108-5928	1	Swivel-Stop, Cable	34	110-8817	1	Bracket-Pump, Fuel
11	3220-1	2	Nut-Jam	35	110-8807	1	Bracket-Filter, Fuel
12	108-5927	1	Cable-Control, Throttle	36	322-9	1	Screw-HH
12:1	112-2333	1	Lever-Throttle Cable	37	110-8808	1	Harness-Wire
12:2	108-6337	1	Cable-Throttle	38	3256-82	1	Washer-Flat
13	2412-108	7	Clamp-Worm	40	108-5376	1	Hose-Fuel
14	1-643277	3	Clamp-Hose, Fuel	41	109-0301	1	Hose-Fuel
15	110-8806	1	Pump-Fuel	42	110-1876	1	Hose-Fuel
16	3296-58	2	Nut-Lock, NI	43	108-3283	1	Hose-Fuel
17	322-3	1	Screw-HH	44	109-0303	1	Hose-Fuel
18	1-603175	1	Knob-Ball	45	109-0275	1	Hose-Fuel
19	1-807513	2	Bolt-CARR	46	109-0297	1	Hose-Fuel
20	109-2661	4	Screw-PPH	47	108-5377	1	Sleeve-Fabric
22	112-2388	1	Control Panel ASM	48	1-303335	1	Tie-Plastic
22:2	112-2389	1	Decal-Panel, Control	49	110-4124	1	Hose-Fuel
23	114-8222	1	LH Fuel Tank ASM	50	114-8224	1	Conduit-Fuel Line
23:2	103-2615	2	Fitting-Fuel, Bulkhead	51	110-4105	1	Hose-Fuel



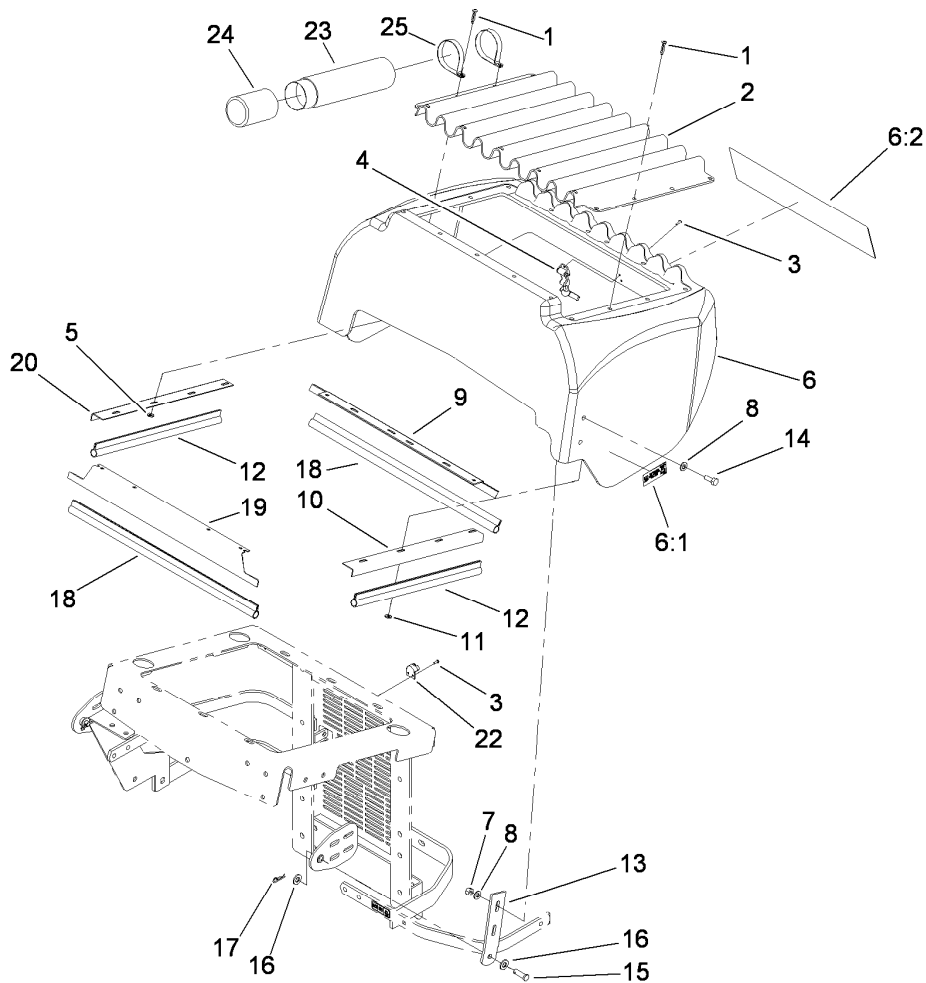
## Engine Housing Assembly

<i>Ref.</i>	<i>Part Number</i>	<i>Qty.</i>	<i>Description</i>	<i>Ref.</i>	<i>Part Number</i>	<i>Qty.</i>	<i>Description</i>
1	107-9934-03	1	Support-Radiator, Rear	23	107-8081-03	1	Bracket-Relay/Fuse
2	322-5	2	Screw-HH	24	114-1829	1	Front Shield ASM
3	322-6	2	Screw-HH	24:2	110-3853	1	Decal-Danger, Rotating Devices
4	3256-23	8	Washer-Flat	24:3	108-5955	1	Decal-Routing, Hydro Belt
5	114-1170	1	RH Radiator Brace ASM	24:4	110-3852	1	Decal- Warning, Buzzer
5:2	32148-11	1	Insert-Threaded	24:5	100-3815	2	Grommet-Rubber
6	103-7623-03	2	Strap-Guard	24:6	108-5957	1	Decal-Routing, Clutch Belt
7	110-3870	1	LH Radiator Brace ASM	24:7	114-1826	1	Decal-Check Service
7:2	107-2114	1	Decal-Valve, Fuel	24:8	110-0806	1	Decal-Caution
8	32128-20	22	Nut-HF	24:9	104-2449	1	Decal-Coolant
9	114-8223-03	1	Top-Rib	25	110-0879	1	Guard-Fan, LH (Ce)
10	322-3	14	Screw-HH	25:2	107-7719	1	Decal-Danger, Rotating Devices
11	3256-24	3	Washer-Flat	26	110-0888	1	Guard-Fan, RH (Ce)
12	323-6	1	Screw-HH	26:2	107-7719	1	Decal-Danger, Rotating Devices
13	323-7	4	Screw-HH	27	110-0890	1	Strap-Top
14	112-8318	1	LH Support Bracket ASM	27:2	110-0305	1	Decal-Relay
14:2	112-8319	1	Decal-Fuses	29	3256-4	2	Washer-Flat
16	108-5345-03	2	Hood Pivot Plate ASM	30	108-5339-03	1	Bracket-Support, RH
17	3290-357	7	Nut-HHF, Whiz	31	322-4	4	Screw-HH
18	112-8302-03	1	Shield-Cooler	32	323-5	2	Screw-HH
19	3234-33	3	Screw-HHF				
20	3256-3	2	Washer-Flat				
21	109-2365	2	Bumper-Rubber (W/Stud)				



## Cooling System Assembly

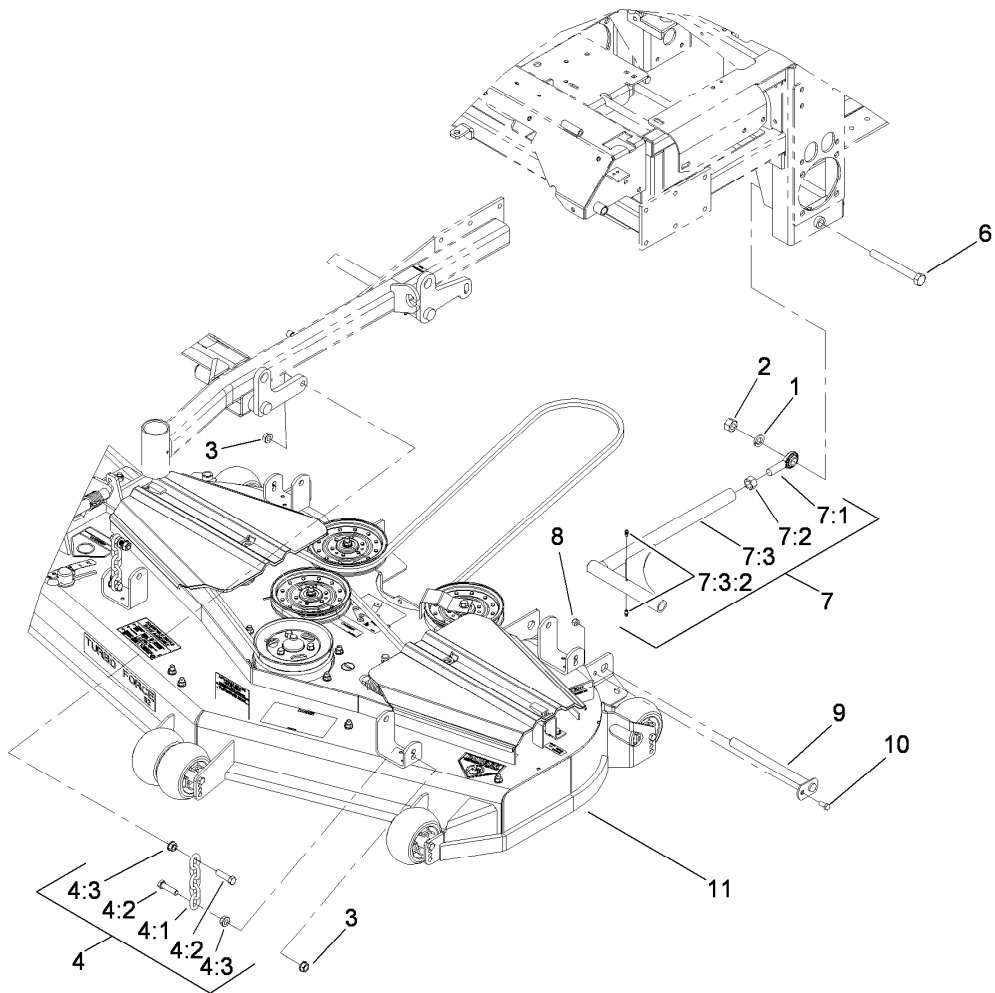
<i>Ref.</i>	<i>Part Number</i>	<i>Qty.</i>	<i>Description</i>	<i>Ref.</i>	<i>Part Number</i>	<i>Qty.</i>	<i>Description</i>
1	110-3845	1	Top Radiator Plate ASM	12	108-5372	1	Hose-Radiator, LH
1:2	93-8069	2	Decal-Surface, Hot	13	108-5904	1	Hose-Outlet, Engine
1:3	110-3842	1	Decal-Antifreeze	14	1-643164	1	Cap-Tank, Overflow
2	1-643161	1	Cap-Radiator	15	1-643163	1	Tank-Overflow
3	107-9932	1	Radiator	16	1-603954	1	Hose-Line, Fuel
4	322-1	6	Screw-HH	17	1-643259	1	Fitting-Elbow
5	3256-23	16	Washer-Flat	18	1-513645	1	Bushing-Valve, Fuel
6	110-0880	1	Bottom Radiator Plate ASM	19	321-2	2	Screw-HH
6:2	107-7719	2	Decal-Danger, Rotating Devices	20	1-303287	5	Tie-Cable
6:3	32148-6	1	Insert-Nut	21	103-1428	1	Hose-Overflow
6:4	1-513658	2	Bumper	22	322-5	3	Screw-HH
7	1-803067	4	Screw	23	1-603727	1	Clip-Loom
8	1-643312	1	Clip-Loom	26	108-5971	1	Shroud-Cooling, Engine
9	1-804254	4	Nut	27	3256-67	4	Washer-Flat
10	1-633831	1	Fan	28	322-3	11	Screw-HH
11	1-633989	4	Clamp-Hose	29	32128-20	4	Nut-HF



## Hood Assembly

<i>Ref.</i>	<i>Part Number</i>	<i>Qty.</i>	<i>Description</i>	<i>Ref.</i>	<i>Part Number</i>	<i>Qty.</i>	<i>Description</i>
1	1-803072	17	Rivet	12	1-643186	2	Seal-Trim
2	1-633864-03	1	Screen-Radiator	13	108-5337-03	2	Plate-Hinge, Hood
3	923786	4	Rivet	14	322-4	4	Screw-HH
4	1-643188	1	Latch-Rubber	15	1-808285	2	Pin-Clevis
5	1-303435	4	Washer-Spring	16	3256-24	4	Washer-Flat
6	114-8225	1	Hood ASM	17	1-806003	2	Pin-Cotter, Hair
6:1	114-9600	2	Decal-Low Sulfur	18	1-643187	2	Seal-Trim
6:2	107-7674	1	Decal	19	1-643107-03	1	Angle-Radiator, Top
7	3296-29	4	Nut-Lock, NI	20	1-643106-03	1	Angle-Radiator, RH
8	3256-23	8	Washer-Flat	22	1-643189	1	Keeper-Latch, Rubber
9	1-643108-03	1	Angle-Radiator, Bottom	23	104-7050	1	Tube-Manual
10	1-643105-03	1	Angle-Radiator, LH	24	104-7048	1	Cap-Housing
11	3256-14	12	Washer-Flat	25	2412-120	2	R-Clamp

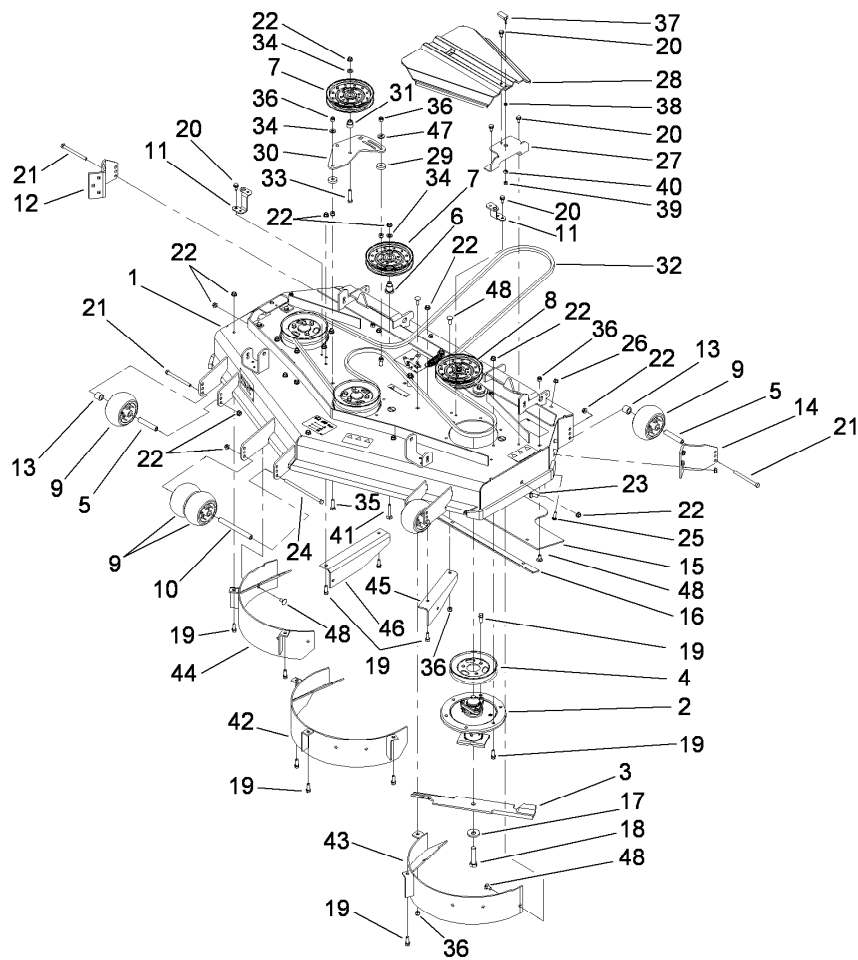




## Deck Connection Assembly

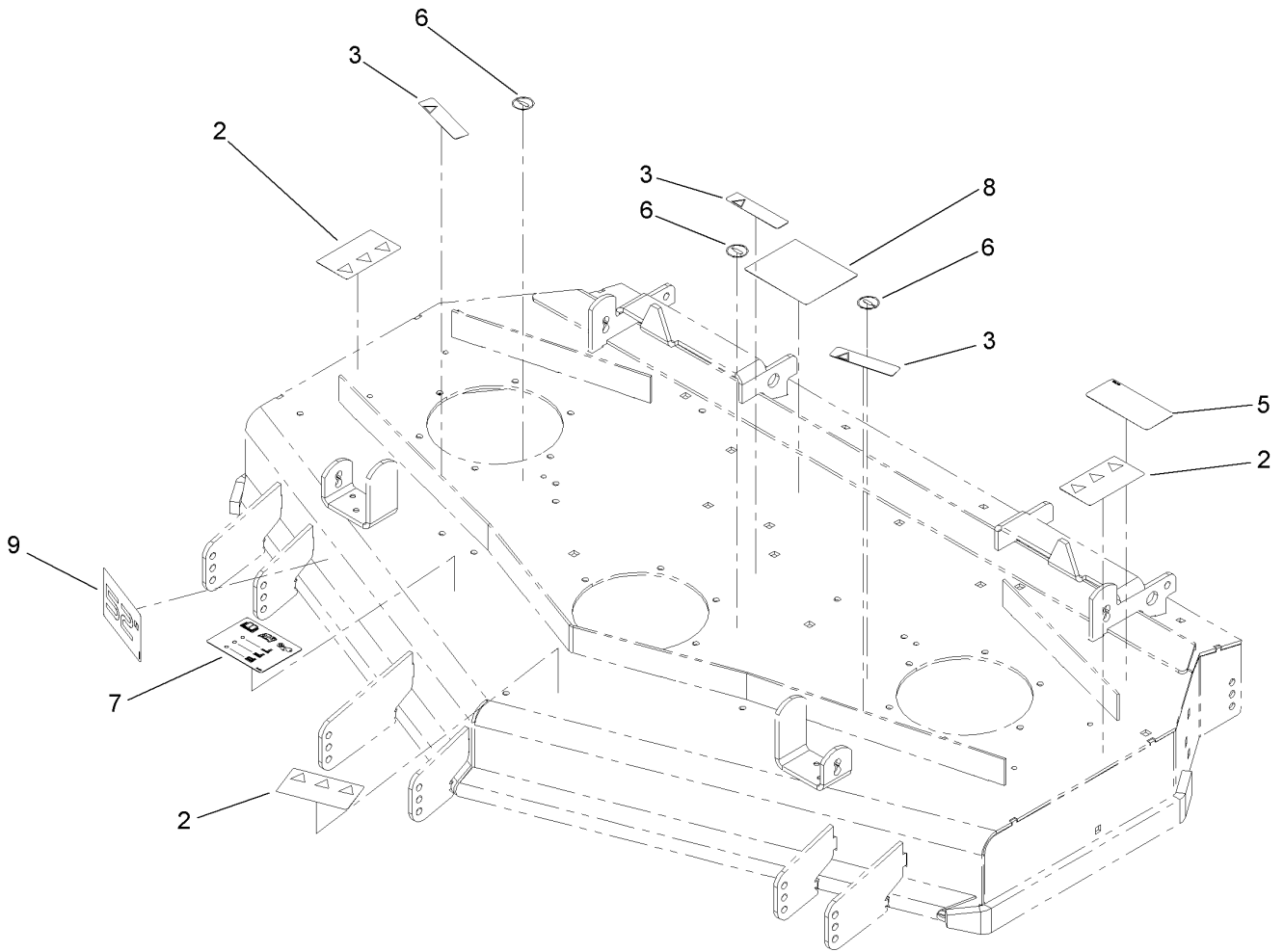
Ref.	Part Number	Qty.	Description
1	3253-8	2	Washer-Lock
2	3217-11	2	Nut-Hex
3	32128-37	8	Nut-HF
4	103-9792	4	Deck Chain ASM
4:1	1-633447	1	Chain-Lift, Deck
4:2	103-1898	2	Screw-HH
4:3	32128-37	2	Nut-HF
6	327-28	2	Screw-HH
7	108-5969	2	Strut ASM
7:1	1-633029	1	Balljoint-Spherical
7:2	3219-6	1	Nut-Hex
7:3		1	Strut-Deck ●
7:3:2	109-1380	2	Fitting-Grease
8	3296-29	2	Nut-Lock, NI
9	1-632199-01	2	Pin-Strut
10	322-3	2	Screw-HH
11		1	Deck ASM ●

● Not serviced separately



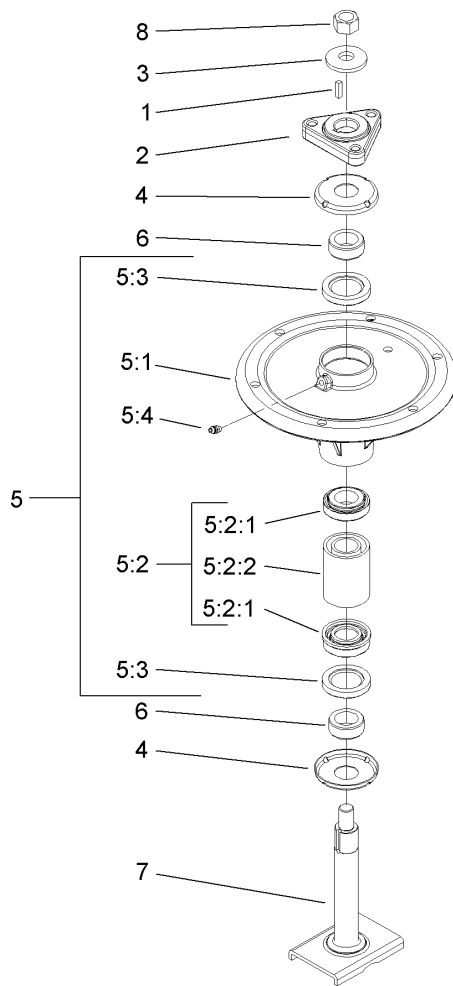
## Deck Assembly

<i>Ref.</i>	<i>Part Number</i>	<i>Qty.</i>	<i>Description</i>	<i>Ref.</i>	<i>Part Number</i>	<i>Qty.</i>	<i>Description</i>
1	112-3751	1	Deck Decal ASM	25	3230-22	4	Screw-CARR
2	108-7713	3	Spindle ASM	26	32128-20	4	Nut-HF
3	105-7781-03	3	Blade-18 Inch (Hi Flow)	27	114-1809-01	2	Bracket-Belt Cover
4	105-7735	3	Pulley	28	107-8536	2	Cover-Belt
5	98-7912	4	Tube-Spanner	29	105-7788	2	Spacer
6	106-3214	1	Mount-Pulley	30	107-8516-01	1	Plate-Idler
7	1-633109	2	Idler-Flat	31	1-603496	1	Bushing-Idler
8	114-1812	1	Spring Idler ASM	32	108-5951	1	Belt-V
9	1-603299	6	Roller-Scalp, Anti	33	323-9	1	Screw-HH
10	98-5967	1	Spacer-Wheel	34	3256-24	2	Washer-Flat
11	108-2177-01	2	Bracket-Cover, Tall	35	3231-4	2	Screw-CARR
12	112-3893-01	1	Mount-Anti Scalp, RH	36	3296-39	8	Nut-Lock, NI
13	98-7913	4	Tube-Spacer	37	106-6777	2	Handle-Latch, Swell
14	112-3895-01	1	Mount-Anti Scalp, LH	38	99-3058	2	Washer
15	112-3869	1	Deflector-Rubber	39	1-804254	2	Nut
16	112-3868-01	1	Skid-Skirt	40	106-6778	2	Bushing-Latch, Swell
17	103-0865	3	Washer-Blade Bolt, Heavy	41	3231-7	1	Screw-CARR
18	103-0862	3	Screw-Cap	42	112-3871-01	1	Center Baffle ASM
19	92-1624	35	Screw-HWH	43	112-3872-01	1	LH Baffle ASM
20	32144-70	8	Screw-HWHTF	44	112-3873-01	1	RH Baffle ASM
21	323-23	4	Screw-HH	45	112-3862-01	1	Baffle-Trailing
22	3290-357	43	Nut-HHF, Whiz	46	112-3863-01	1	Baffle-Trailing
23	3231-2	6	Screw-CARR	47	98-5975	1	Washer-Belleville
24	323-28	1	Screw-HH	48	3231-1	6	Screw-CARR



## Deck Decal Assembly No. 112-3751

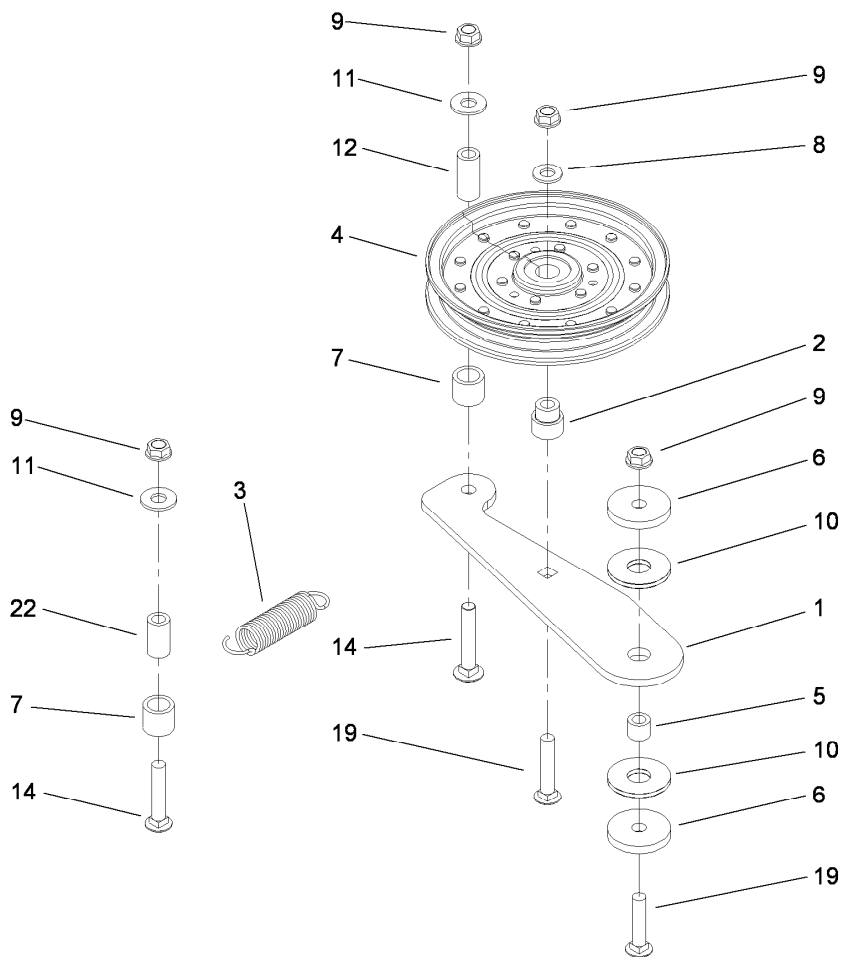
<i>Ref.</i>	<i>Part Number</i>	<i>Qty.</i>	<i>Description</i>
2	93-7010	3	Decal-Danger
3	98-1977	3	Decal-Warning
5	93-7818	1	Decal-Torque, Blade Bolt
6	58-6520	3	Decal-Grease
7	112-3858	1	Decal-Anti Scalp
8	108-5981	1	Decal-Routing, Belt
9	114-1827	1	Decal



## Spindle Assembly No. 108-7713

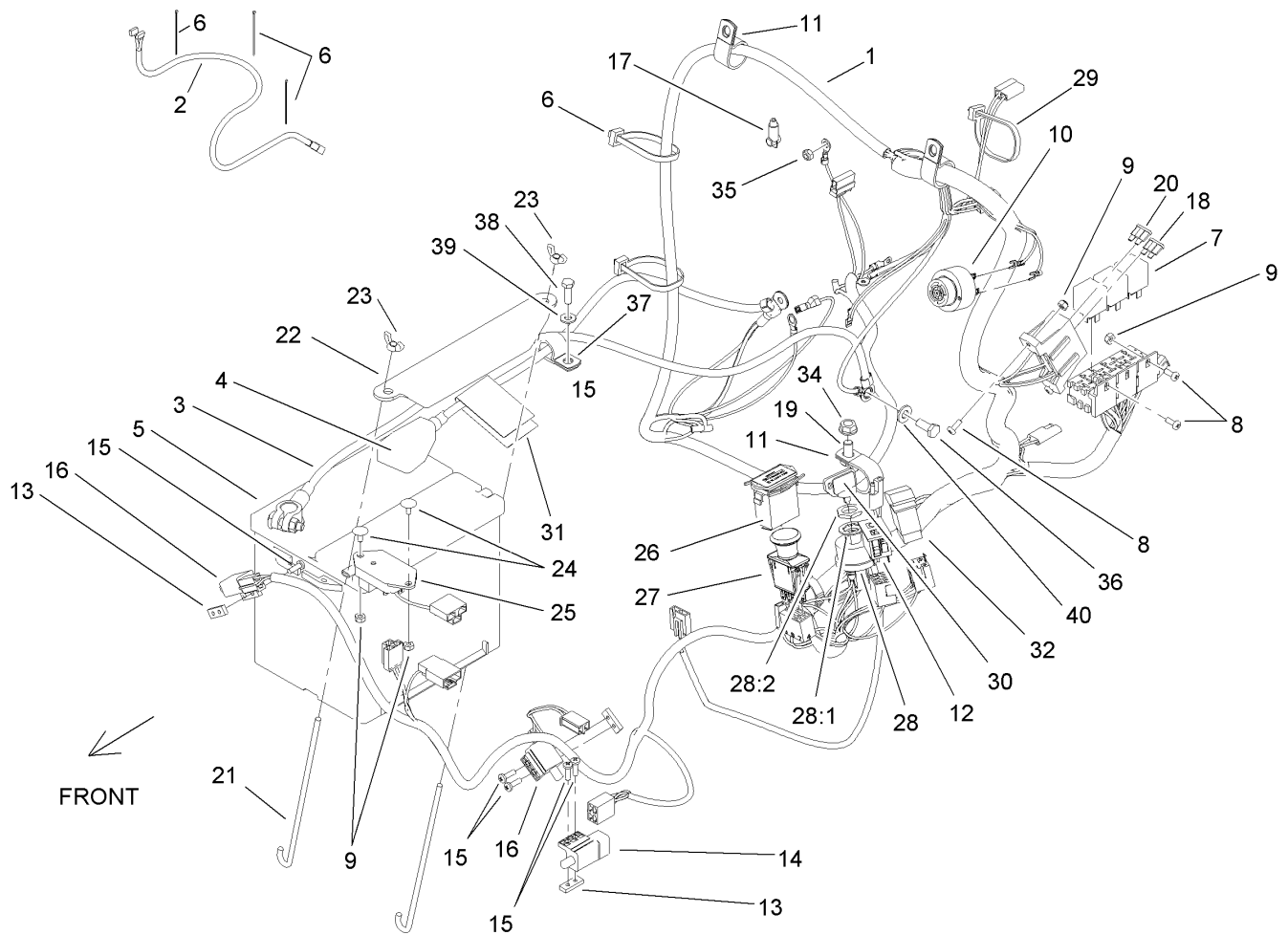
<i>Ref.</i>	<i>Part Number</i>	<i>Qty.</i>	<i>Description</i>
1	10-8040	1	Key-Square
2	106-3277	1	Hub-Pulley
3	103-0865	1	Washer-Blade Bolt, Heavy
4	106-3204	2	Shield-Bearing
5		1	Spindle Bearing ASM ●
5:1	106-3211	1	Housing-Spindle
5:2	108-7711	1	Bearing ASM
5:2:1	108-7710	1	Bearing ASM
5:2:2	106-3206	1	Spacer (Matched Set)
5:3	253-133	2	Seal-Oil
5:4	302-5	1	Fitting-Grease
6	106-3218	2	Spacer-Seal
7	106-3233	1	Spindle Shaft ASM
8	3219-6	1	Nut-Hex

● Not serviced separately



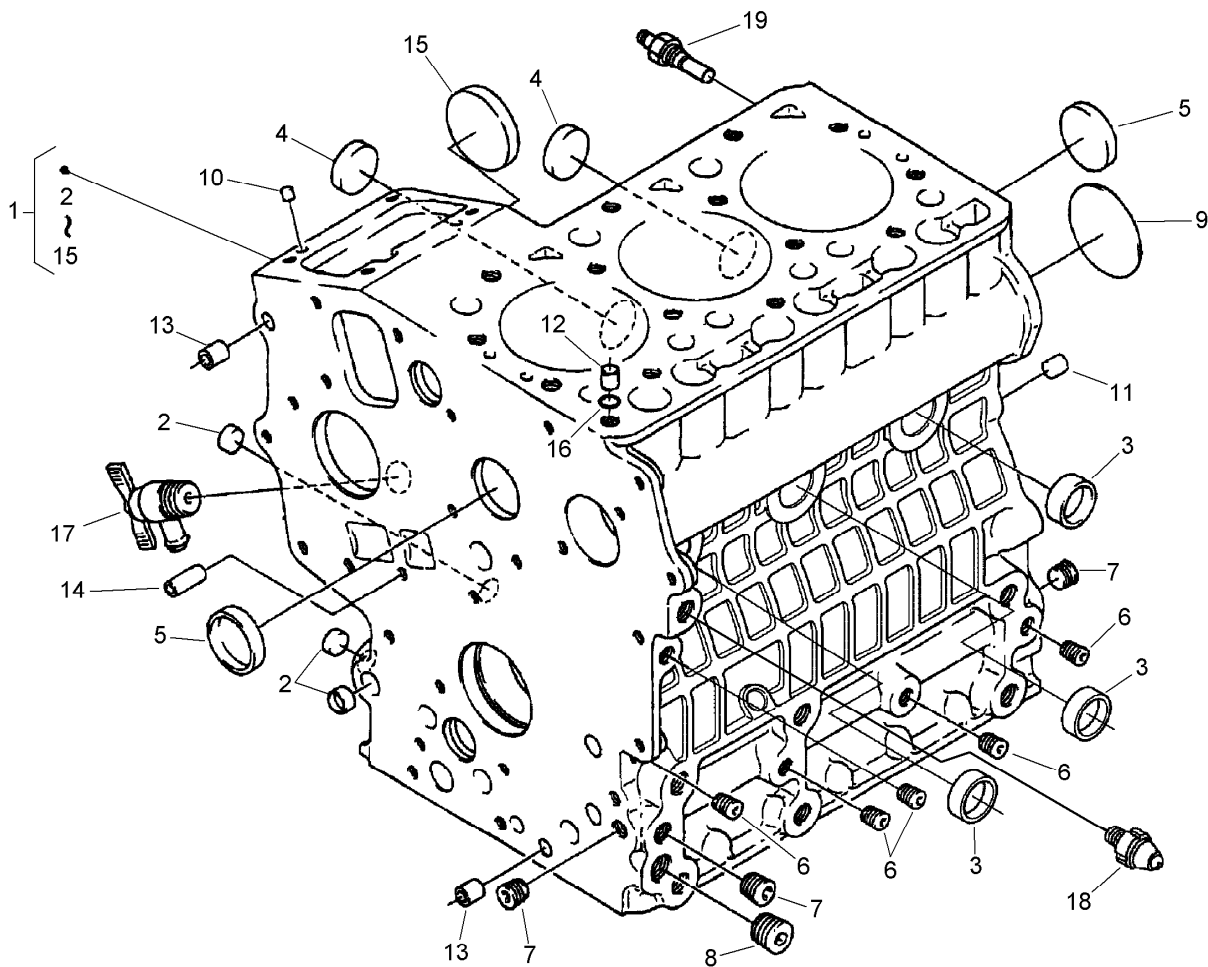
## Spring Idler Assembly No. 114-1812

<i>Ref.</i>	<i>Part Number</i>	<i>Qty.</i>	<i>Description</i>
1	114-1815	1	Arm-Idler
2	1-603496	1	Bushing-Idler
3	108-4056	1	Spring-Extension
4	1-633109	1	Idler-Flat
5	1-413088	1	Bushing-Lever, Lift
6	110-9981	2	Washer-Plain
7	108-4063	2	Spacer-Rubber
8	3256-24	1	Washer-Flat
9	3290-357	4	Nut-HHF, Whiz
10	114-0463	2	Washer-Friction, Composite
11	3256-4	2	Washer-Flat
12	1-603401	1	Spacer-Fender
14	3231-6	2	Screw-CARR
19	3231-5	2	Screw-CARR
22	104-0151	1	Spacer



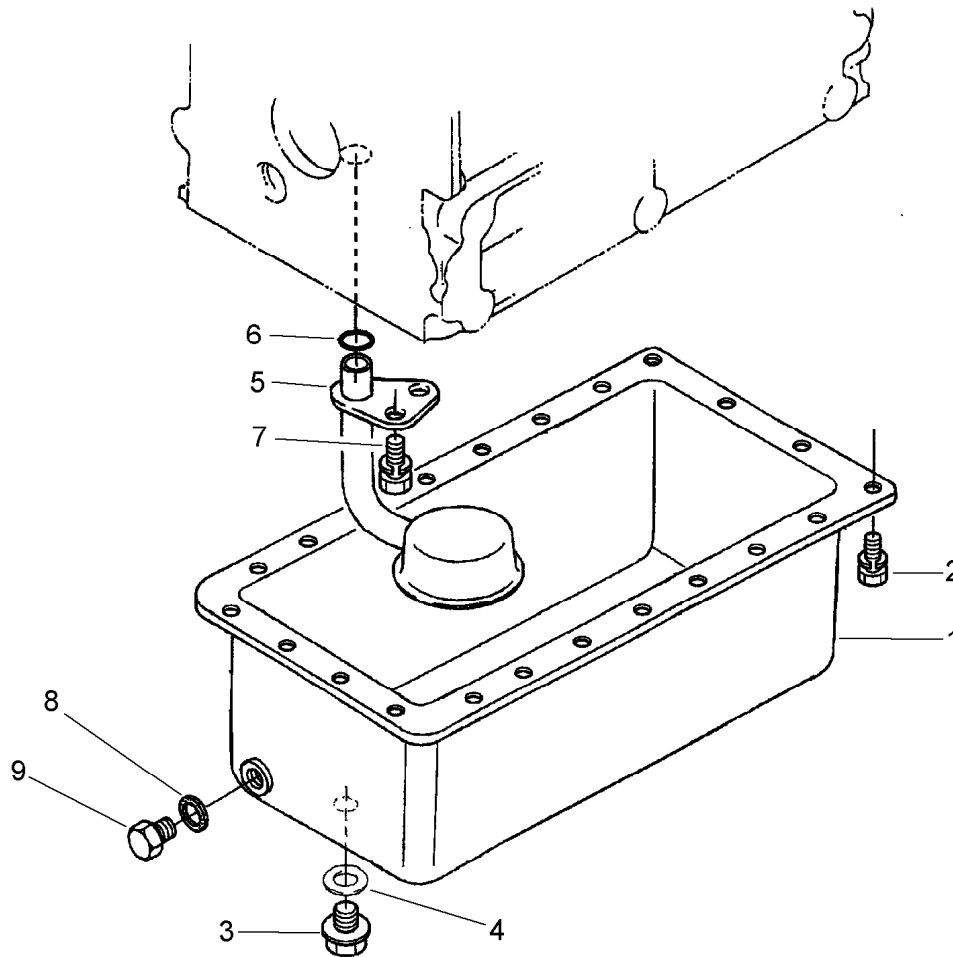
## Electrical Assembly

<i>Ref.</i>	<i>Part Number</i>	<i>Qty.</i>	<i>Description</i>	<i>Ref.</i>	<i>Part Number</i>	<i>Qty.</i>	<i>Description</i>
1	112-8315	1	Harness-Electrical, Main	22	103-1311-03	1	Holddown-Battery
2	103-1227	1	Harness-Wiring, Seat	23	1-543792	2	Wingnut
3	110-0303	1	Cable-Battery, Negative	24	1-807513	2	Bolt-CARR
4	110-0304	1	Cable-Battery, Positive	25	103-5218	1	Module-Delay, Seat
5	106-5187	1	Battery	26	1-513374	1	Meter-Hour
6	1-303335	7	Tie-Plastic	27	103-5221	1	Switch-PTO
7	1-643275	3	Relay	28	104-2541	1	Switch ASM
8	1-803071	4	Screw	28:1	218-461	1	Nut-HH
9	3296-2	6	Nut-Lock, NI	28:2	3254-5	1	Washer-Tooth, Internal
10	103-0205	1	Alarm-Tone, Dual	29	1-303287	1	Tie-Cable
11	1-643312	3	Clip-Loom	30	63-8360	2	Key-Ignition
12	100-8071	1	Lamp-Warning	31	107-9309	1	Decal-Instructions, Charging
13	1-633181	3	Plate-Tapped	32	110-0811	1	Switch-Rocker
14	1-633111	1	Switch	34	3290-357	1	Nut-HHF, Whiz
15	3290-500	6	Screw-PPH	35	33023-00	1	Nut-Lock
16	1-513051	2	Switch-Open, Normally	36	33114-016	1	Screw-HH
17	1-643178	1	Cap-Insulator, Red	37	1-633396	2	Clip-Loom
18	103-1368	1	Fuse-40 Amp	38	321-5	2	Screw-HH
19	323-4	1	Screw-HH	39	3256-22	2	Washer-Flat
20	109103	1	Fuse-30 Amp	40	3256-23	1	Washer-Flat
21	103-1312	2	Bolt-Holddown				



## Crankcase Assembly

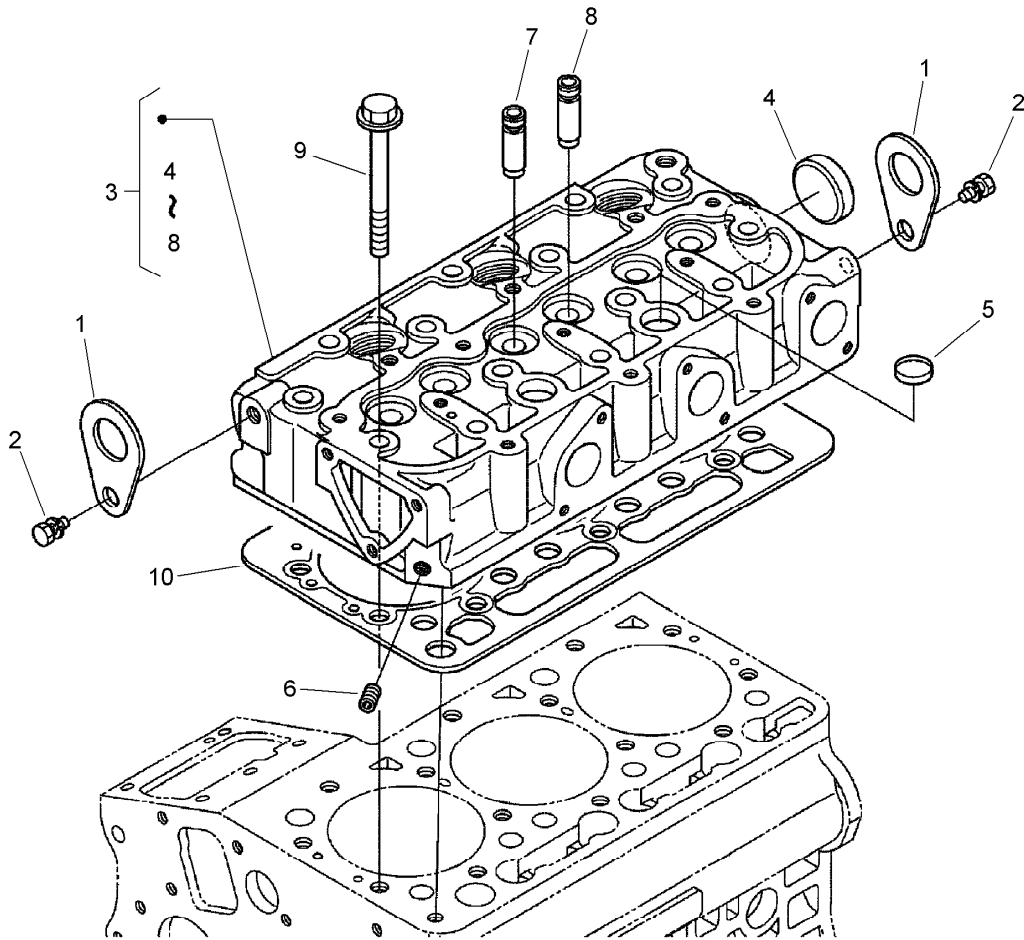
<i>Ref.</i>	<i>Part Number</i>	<i>Qty.</i>	<i>Description</i>
1	112-8324	1	Crankcase
2	100-2019	3	Cap-Sealing
3	100-2020	3	Cap-Sealing
4	110-3702	2	Cap-Sealing
5	98-9398	2	Cap-Sealing
6	98-7540	5	Plug
7	98-7487	3	Plug
8	98-7488	1	Plug
9	100-1851	1	Plug-Expansion
10	98-9375	2	Pin-Straight
11	98-9377	2	Pin-Straight
12	98-7506	1	Pin-Pipe
13	98-9387	2	Pin-Pipe
14	100-2051	2	Pin-Pipe
15	100-1991	1	Cover-Fuel, Camshaft
16	98-7509	1	O-Ring
17	98-9436	1	Drain Cock ASM
18	100-2230	1	Switch-Oil
19	99-3582	1	Thermoswitch



## Oil Pan Assembly

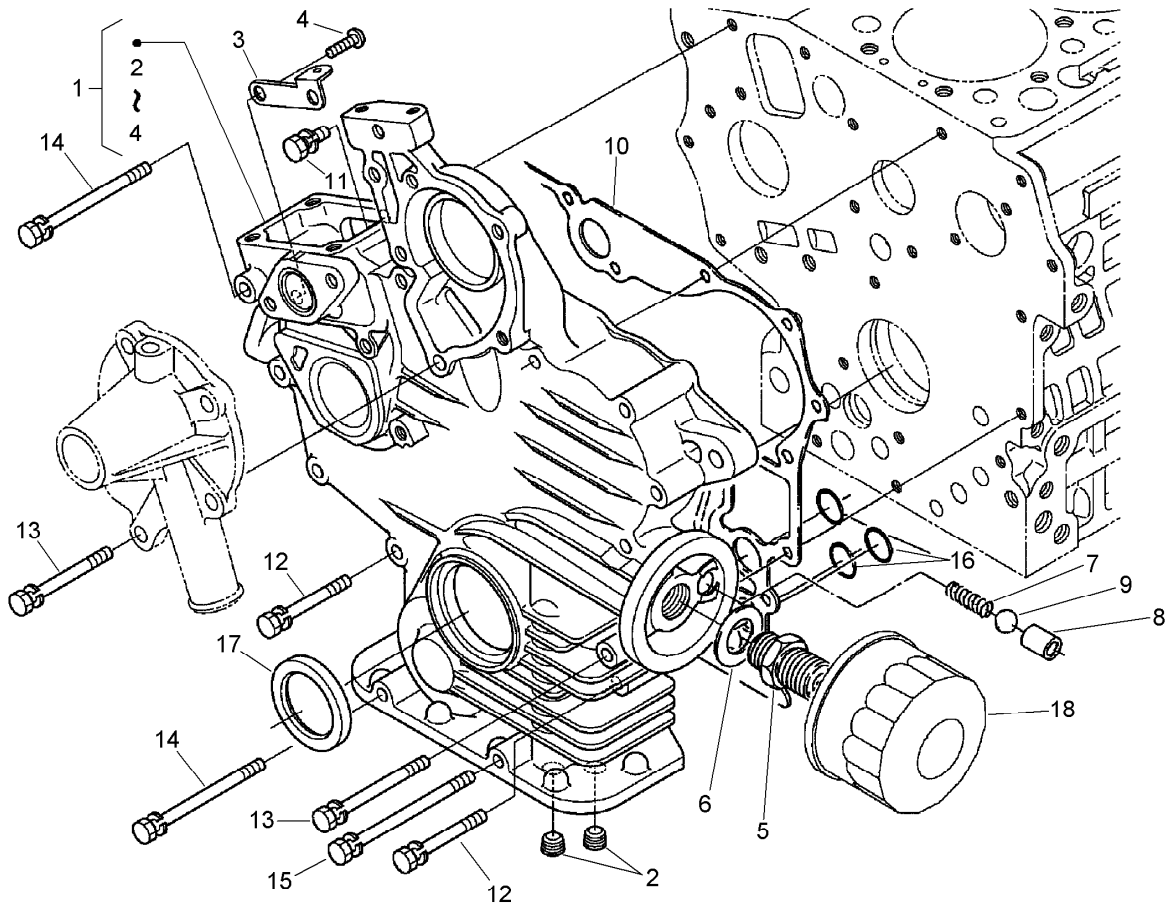
<i>Ref.</i>	<i>Part Number</i>	<i>Qty.</i>	<i>Description</i>
1	110-3703	1	Oil Pan ASM
2	98-9351	22	Bolt
3	98-7523	1	Plug-Drain
4	110-9715	1	Gasket-Pan, Oil
5	100-2001	1	Strainer-Pickup, Oil
6	100-2205	1	O-Ring
7	100-9195	1	Bolt
8	110-3704	1	Gasket
9	114-8151	1	Plug-Drain





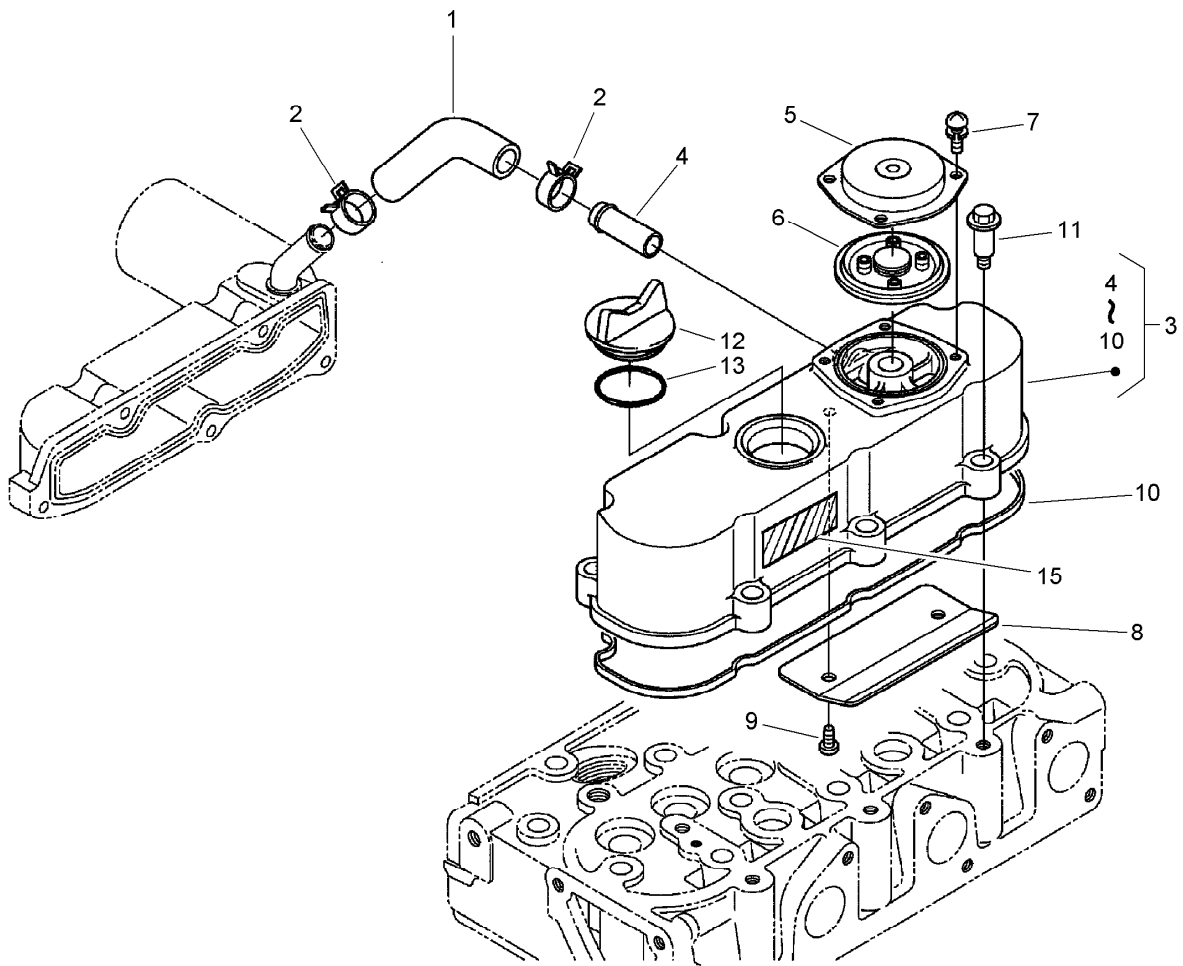
## Cylinder Head Assembly

<i>Ref.</i>	<i>Part Number</i>	<i>Qty.</i>	<i>Description</i>
1	98-7531	2	Hook-Engine
2	98-7526	2	Bolt
3	110-3705	1	Head-Cylinder
4	98-9395	1	Cap-Sealing
5	98-9389	2	Cap-Sealing
6	98-7540	1	Plug
7	100-1882	3	Guide-Valve, Inlet
8	100-1883	3	Guide-Valve, Exhaust
9	100-1820	14	Bolt-Head, Cylinder
10	110-3706	1	Gasket-Head, Cylinder



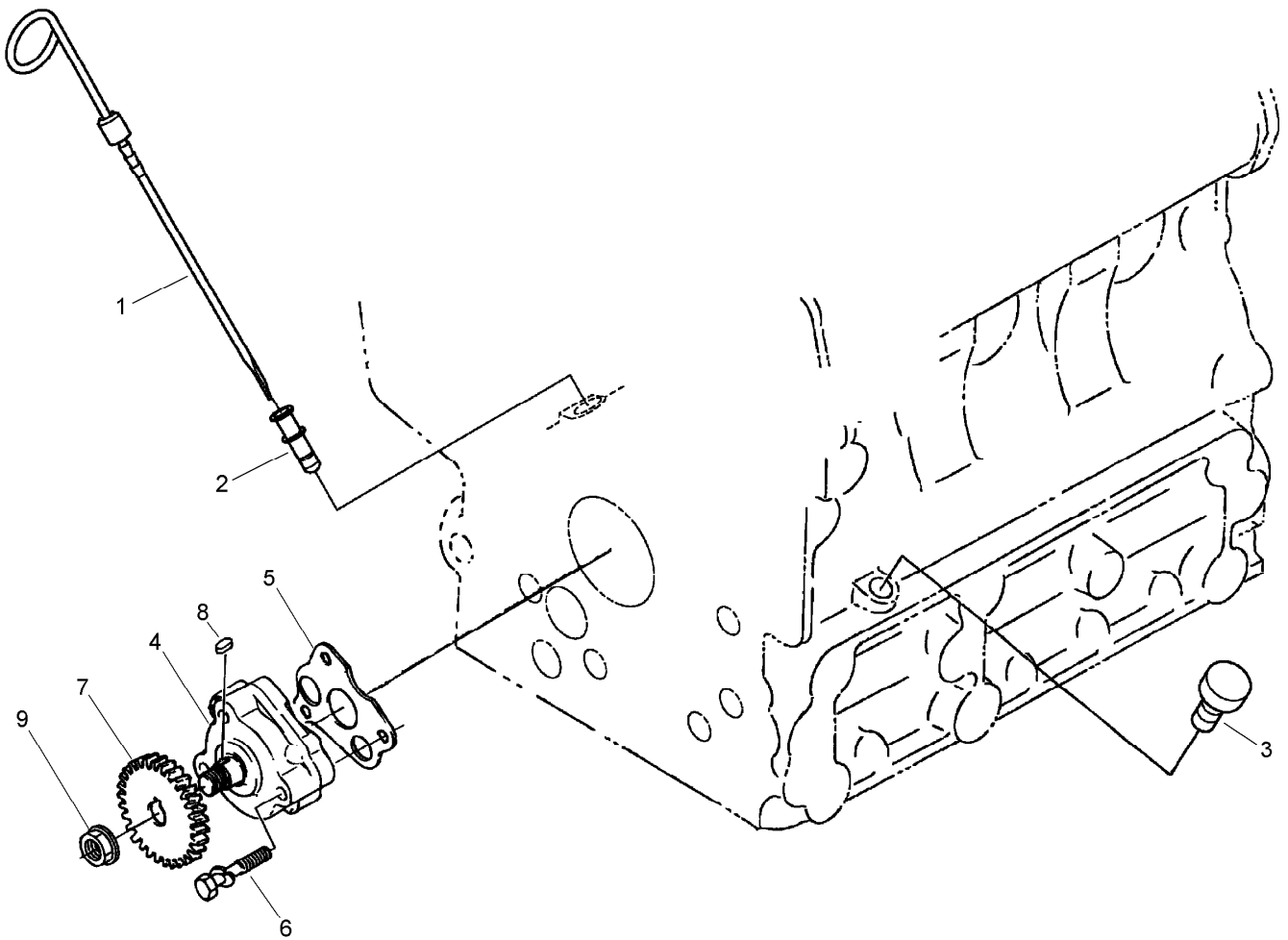
## Gear Case and Oil Filter Cartridge Assembly

<i>Ref.</i>	<i>Part Number</i>	<i>Qty.</i>	<i>Description</i>
1	110-3707	1	Case-Gear
2	98-7488	2	Plug
3	110-3708	1	Stay-Spring, Start
4	100-2040	2	Screw
5	98-9388	1	Joint-Pipe
6	100-1926	1	Washer-Plain
7	100-2004	1	Spring
8	100-1894	1	Seat-Valve
9	100-1792	1	Ball
10	110-3709	1	Gasket-Gearcase
11	98-7605	1	Bolt
12	98-9355	9	Bolt
13	100-1922	2	Bolt
14	98-9357	2	Bolt
15	110-3710	1	Bolt
16	100-1785	3	O-Ring
17	100-1971	1	Seal-Oil
18	100-1892	1	Cartridge-Filter, Oil



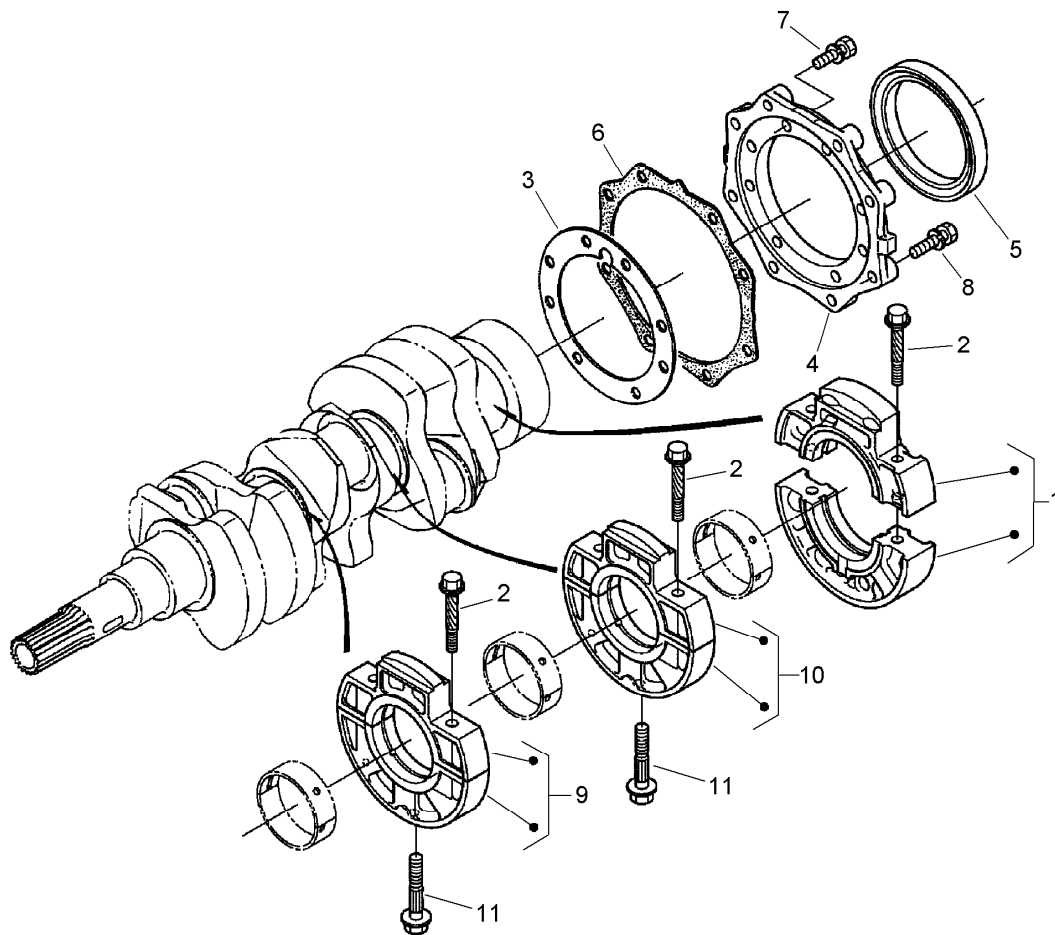
## Head Cover Assembly

<i>Ref.</i>	<i>Part Number</i>	<i>Qty.</i>	<i>Description</i>
1	110-3711	1	Tube-Breather
2	110-3712	2	Clamp-Hose
3	110-3713	1	Cylinder Head Cover ASM
4	98-9580	1	Pipe-Return, Water
5	110-3714	1	Cover-Breather
6	110-3715	1	Valve-Breather
7	98-9364	4	Screw (With Washer)
8	110-3716	1	Shield-Breather
9	100-2040	2	Screw
10	110-3717	1	Gasket-Cover, Head
11	108-7063	6	Bolt
12	107-9075	1	Plug-Filler, Oil
13	99-3446	1	O-Ring
15	110-3843	1	Label-Instruction



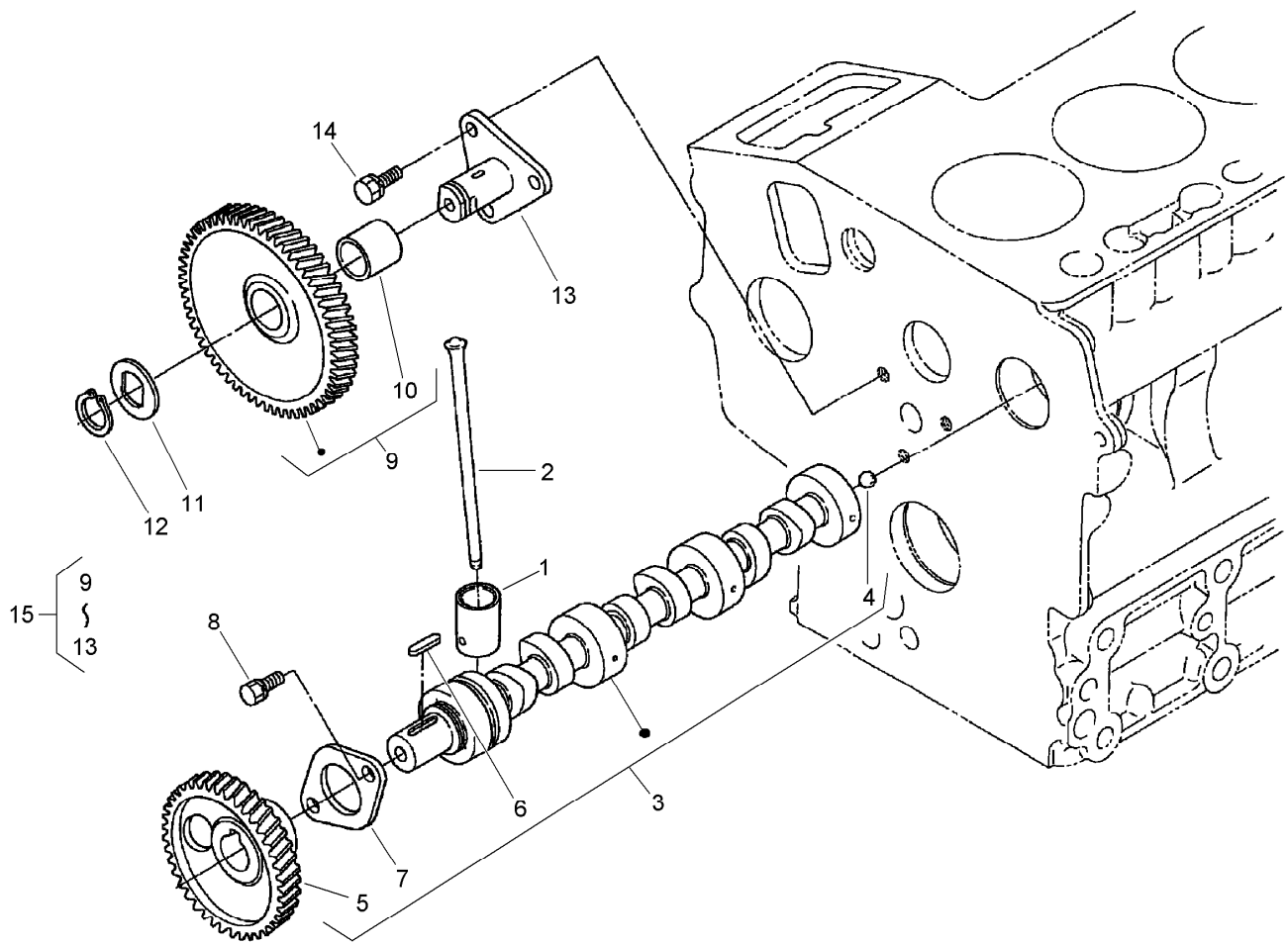
## Dipstick, Guide and Oil Pump Assembly

<i>Ref.</i>	<i>Part Number</i>	<i>Qty.</i>	<i>Description</i>
1	110-3719	1	Gauge-Oil
2	105-4580	1	Guide-Gauge, Oil
3	110-3720	1	Plug-Gauge, Oil
4	100-2002	1	Oil Pump ASM
5	100-1958	1	Gasket-Pump, Oil
6	100-1923	3	Bolt
7	100-1893	1	Gear-Drive, Oil Pump
8	98-7658	1	Key-Feather
9	100-1779	1	Nut-Flange



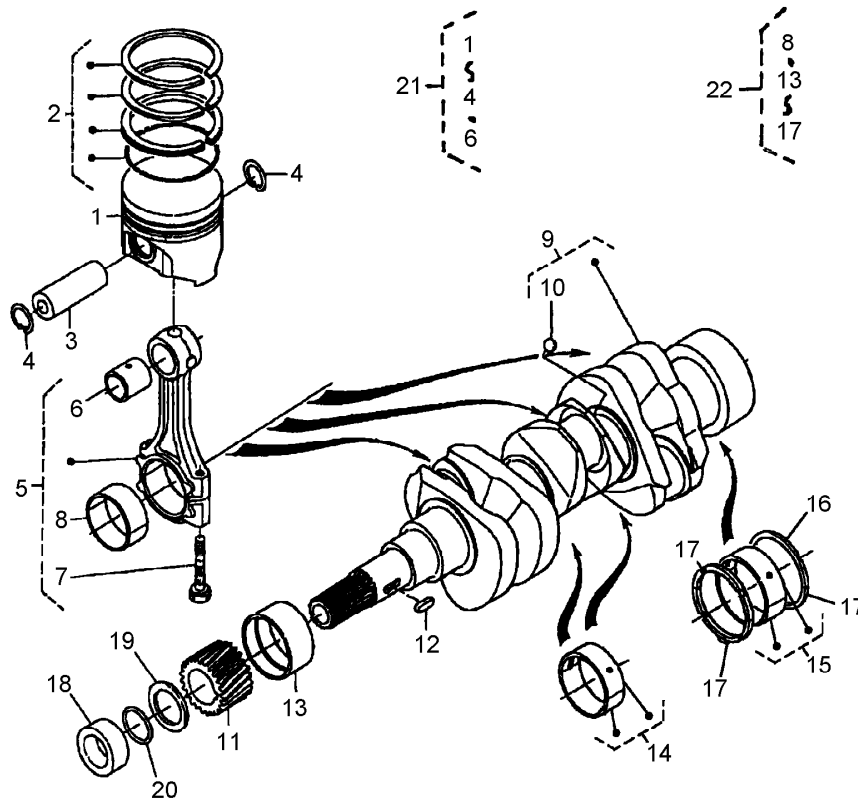
## Main Bearing Case Assembly

<i>Ref.</i>	<i>Part Number</i>	<i>Qty.</i>	<i>Description</i>
1	110-3722	1	Main Bearing Case ASM
2	110-3723	6	Bolt-Case, Bearing
3	100-1873	1	Gasket-Case, Bearing
4	100-1875	1	Cover-Case, Bearing
5	110-3724	1	Seal-Oil
6	100-1876	1	Gasket-Case, Bearing
7	98-7568	8	Bolt
8	100-1750	8	Bolt
9	110-3725	1	Main Bearing Case ASM
10	112-8345	1	Main Bearing Case ASM
11	100-1874	2	Bolt-Case, Bearing



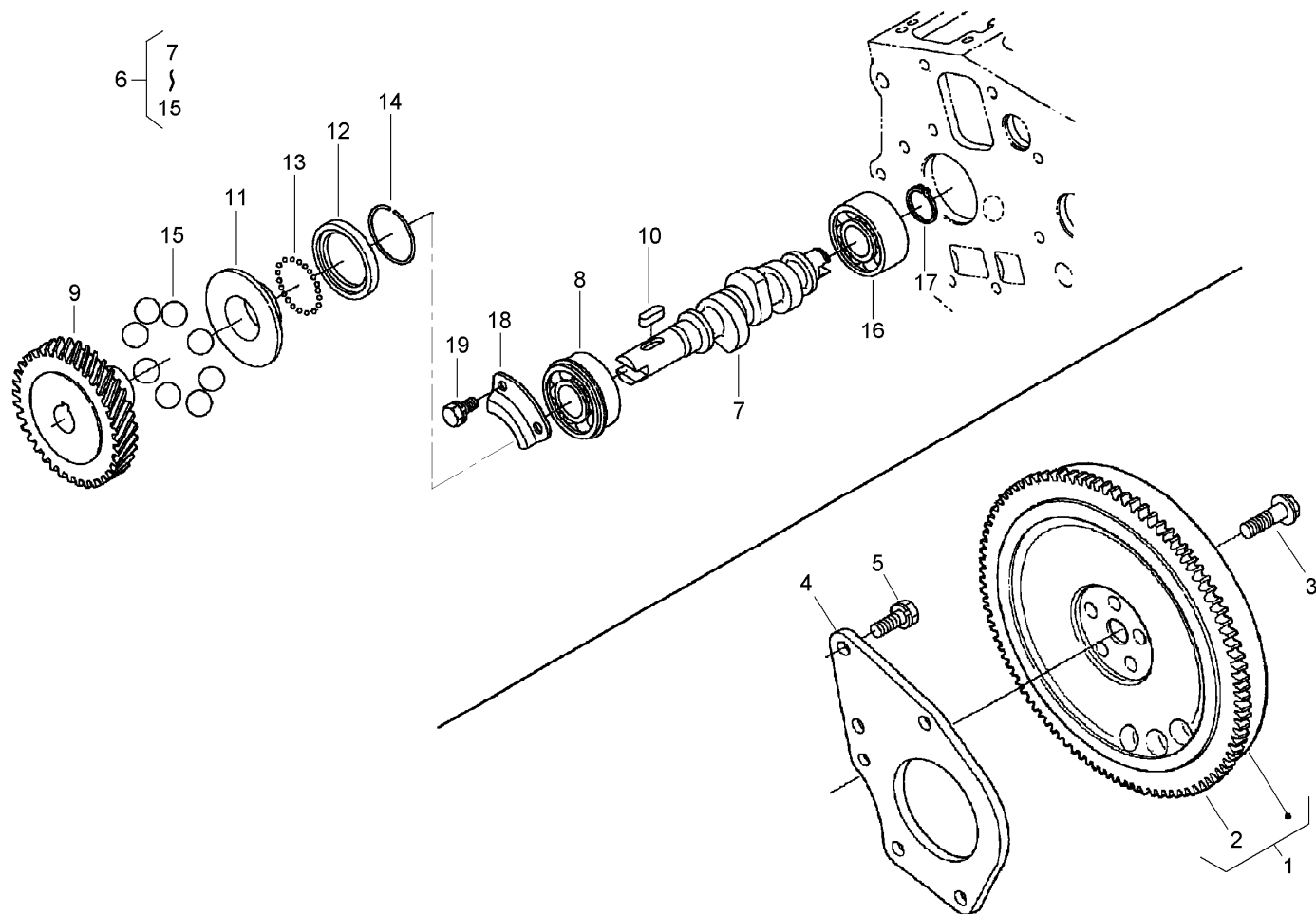
## Camshaft and Idle Gear Shaft Assembly

<i>Ref.</i>	<i>Part Number</i>	<i>Qty.</i>	<i>Description</i>
1	110-3727	6	Tappet
2	100-1989	6	Rod-Push
3	110-3728	1	Camshaft ASM
4	110-3729	1	Ball
5	100-2163	1	Gear-Cam
6	98-9378	1	Key-Feather
7	100-1887	1	Camshaft-Stopper
8	98-9350	2	Bolt
9	100-1966	1	Gear-Idle
10	100-1968	1	Bushing
11	100-1970	1	Collar-Gear, Idle
12	100-1969	1	Ring-Snap
13	100-1967	1	Shaft-Gear, Idle
14	98-9351	1	Bolt
15	100-2240	1	Idle Gear ASM



## Piston and Crankshaft Assembly

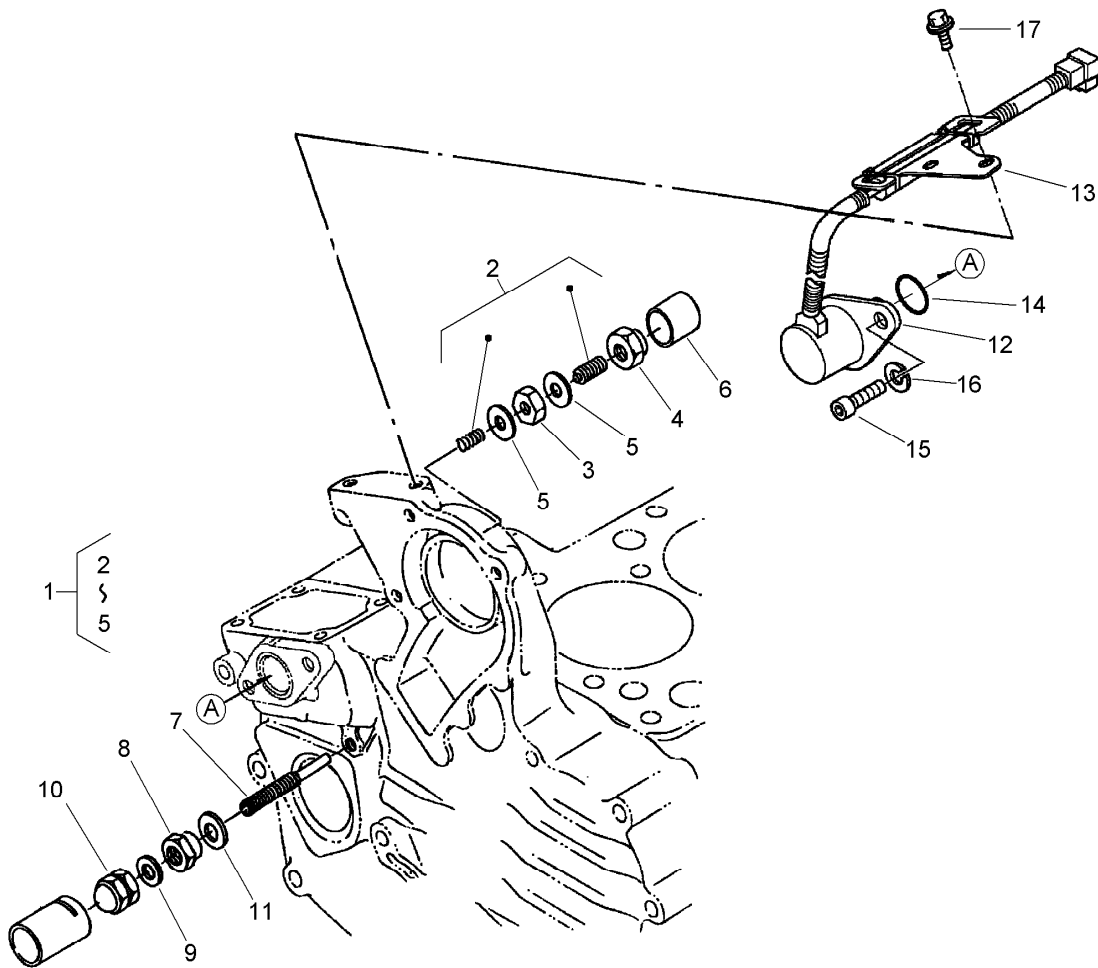
<i>Ref.</i>	<i>Part Number</i>	<i>Qty.</i>	<i>Description</i>	<i>Ref.</i>	<i>Part Number</i>	<i>Qty.</i>	<i>Description</i>
1	112-8399	3	Piston +.25Mm	14	110-3741	2	Crankshaft Metal ASM (STD)
1	112-8398	3	Piston STD	15	110-3746	1	Crankshaft Metal ASM
2	110-3732	3	Piston Ring ASM (STD)	15	110-3745	1	Crankshaft Metal ASM
2	110-3733	3	Piston Ring ASM (+.25Mm)	15	110-3744	1	Crankshaft Metal ASM (STD)
3	110-3734	3	Pin-Piston	16	100-1839	2	Metal-Side
4	100-1835	6	Clip-Pin, Piston	16	100-1838	2	Metal-Side
5	110-3735	3	Connecting Rod ASM	16	100-1836	2	Metal-Side
6	110-3736	3	Bushing-Pin, Piston	17	100-1841	2	Metal-Side (+0.4Mm)
7	100-1999	6	Bolt-Rod, Connecting	17	100-1840	2	Metal-Side (+0.2Mm)
8	100-2000	3	Metal-Crankpin	17	100-1837	2	Metal-Side (STD)
8	100-1943	3	Crankpin-Metal	18	100-1890	1	Collar-Crankshaft
8	100-1942	3	Crankpin-Metal	19	100-1974	1	Slinger-Oil
9	110-3737	1	Crankshaft	20	100-2209	1	O-Ring
10	100-1791	3	Ball	21	110-3747	3	Piston Kit (STD)
11	100-1891	1	Gear-Crankshaft	21	110-3748	3	Piston Kit
12	100-1752	1	Key-Feather	22	110-3751	1	Engine Metal Kit
13	110-3738	1	Metal-Crankshaft	22	110-3750	1	Engine Metal Kit
13	110-3739	1	Metal-Crankshaft	22	110-3749	1	Engine Metal Kit
13	110-3740	1	Metal-Crankshaft				
14	110-3743	2	Crankshaft Metal ASM				
14	110-3742	2	Crankshaft Metal ASM				



## Flywheel, Fuel Camshaft and Governor Shaft Assembly

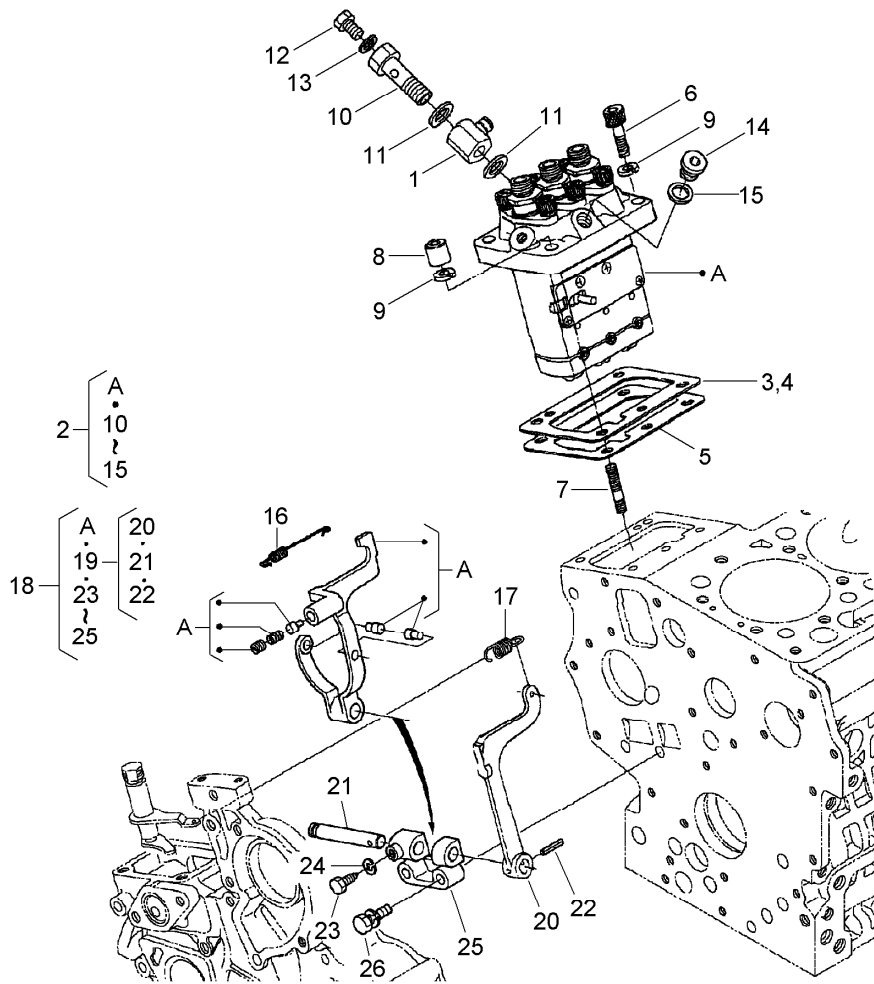
Ref.	Part Number	Qty.	Description
1	110-3752	1	Flywheel
2	100-2156	1	Gear-Ring
3	100-1930	5	Bolt-Flywheel
4	110-3753	1	Plate-End, Rear
5	110-3754	3	Bolt
6	110-3755	1	Fuel Camshaft ASM
7	110-3756	1	Camshaft-Fuel
8	100-1795	1	Bearing-Ball
9	100-2006	1	Gear-Pump, Injection
10	100-1752	1	Key-Feather
11	100-1903	1	Sleeve-Governor
12	100-1904	1	Case-Ball, Governor
13	100-1790	32	Ball
14	100-1843	1	Clip-Sleeve, Governor
15	100-1793	8	Ball
16	110-3757	1	Bearing-Ball
17	100-1784	1	Clip-External
18	100-1888	1	Stopper-Fuel, Camshaft
19	98-9350	2	Bolt





## Idle Apparatus and Stop Solenoid Assembly

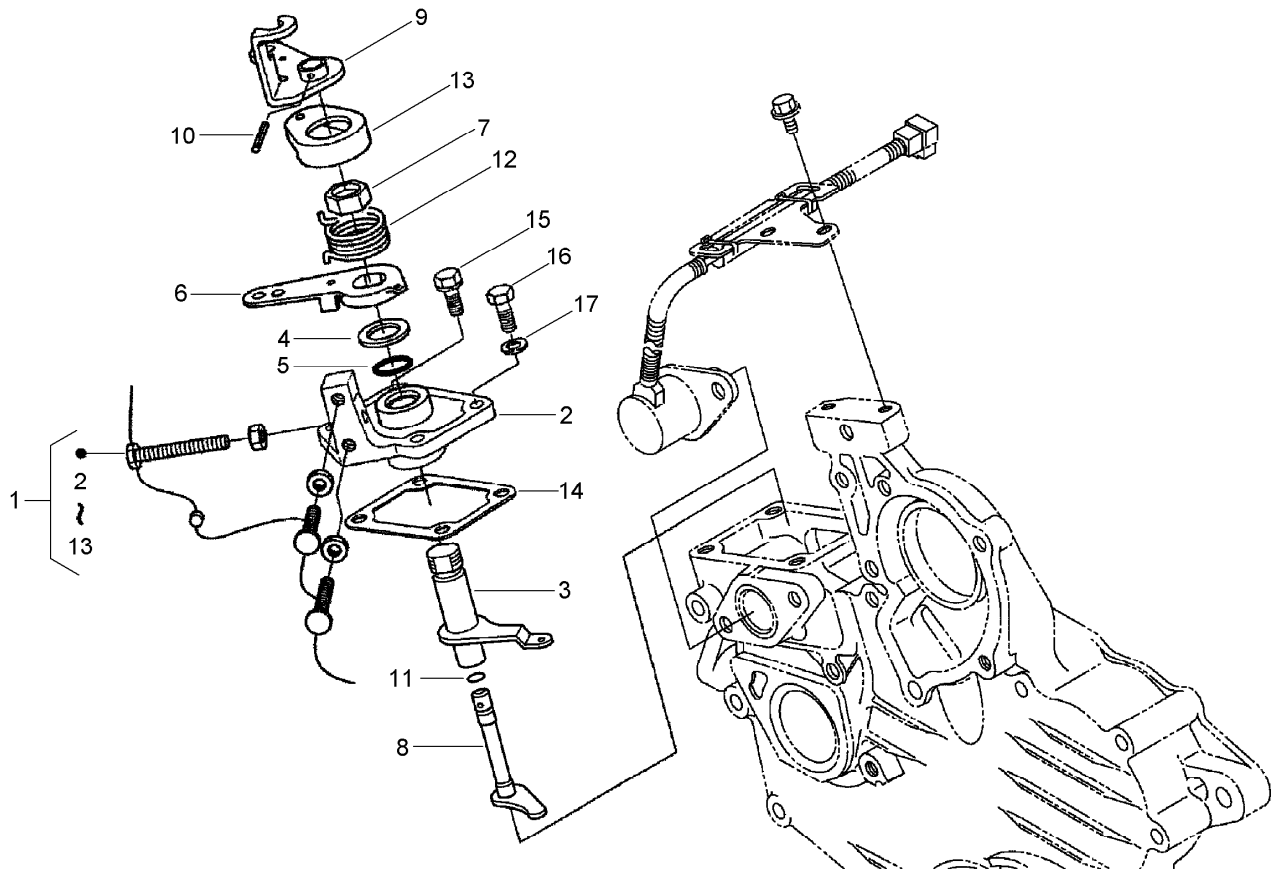
Ref.	Part Number	Qty.	Description
1	100-1898	1	Idle Apparatus ASM
2	100-1899	1	Adjusting Bolt ASM
3	100-1846	1	Nut
4	100-1901	1	Nut-Cap
5	98-7428	2	Gasket
6	100-1902	1	Cap
7	110-3758	1	Bolt-Adjusting
8	100-2175	1	Nut-Lock
9	98-7654	1	Gasket
10	98-9441	1	Nut-Cap
11	107-9081	1	Gasket
12	110-3760	1	Solenoid-Stop
13	110-3761	1	Stay-Commander, Coil
14	110-3762	1	O-Ring
15	110-3763	2	Bolt-HSH
16	98-7515	2	Washer-Spring
17	100-1774	2	Bolt-Flange



## Injection Pump and Governor Assembly

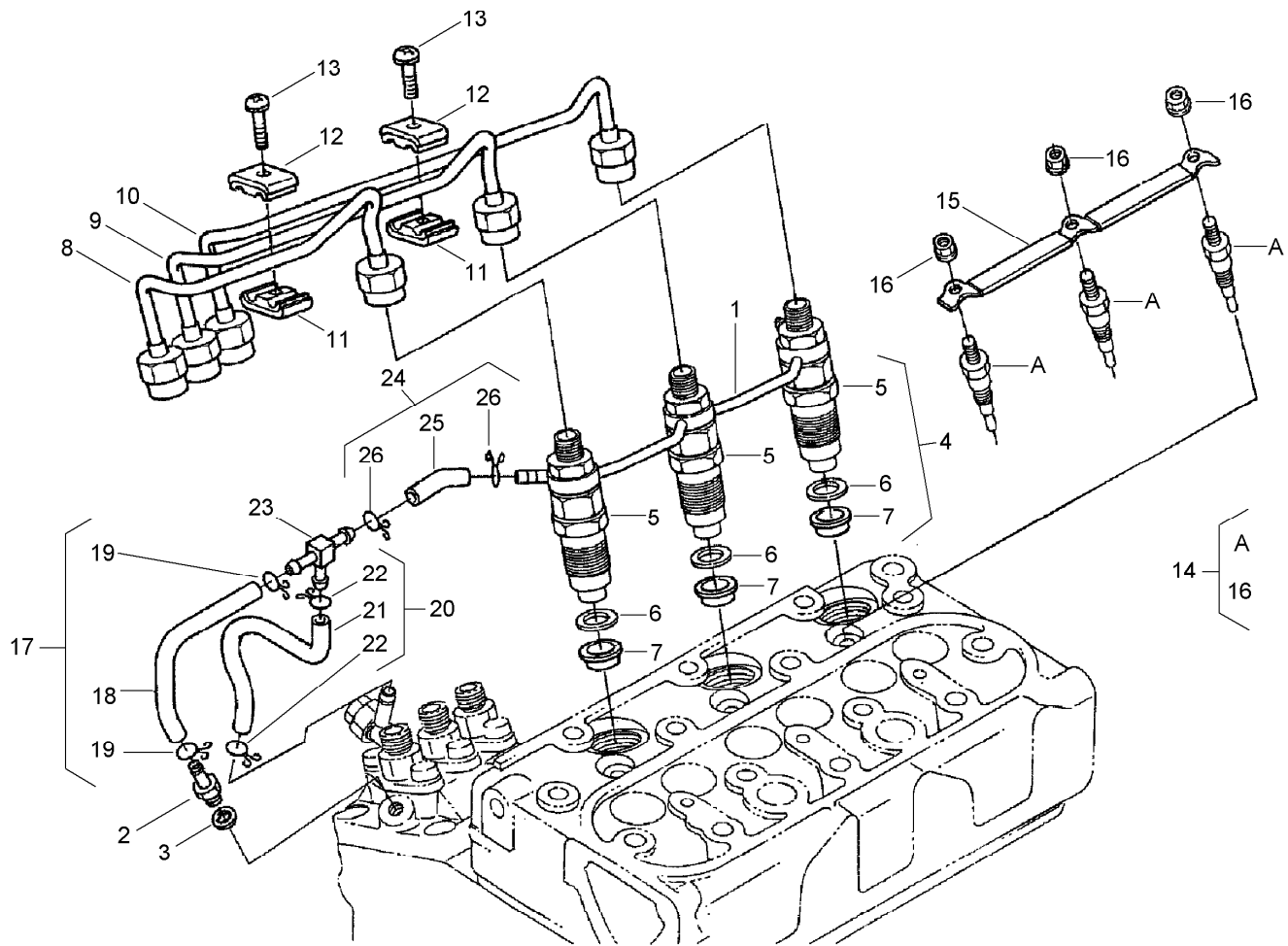
<i>Ref.</i>	<i>Part Number</i>	<i>Qty.</i>	<i>Description</i>
1	110-3764	1	Joint
2	110-3765	1	Injection Pump ASM
3	100-1951	1	Shim-Pump, Injection
4	100-1952	1	Shim-Pump, Injection
5	98-9458	1	Shim-Injection (0.30Mm)
6	98-9361	2	Bolt-HSH
7	98-9438	2	Stud
8	98-9440	2	Nut-Cap
9	98-7515	4	Washer-Spring
10	100-1896	1	Screw-Hollow
11	98-9445	2	Gasket
12	98-9430	1	Screw
13	98-9446	1	Gasket

<i>Ref.</i>	<i>Part Number</i>	<i>Qty.</i>	<i>Description</i>
14	98-9466	1	Plug
15	98-9451	1	Gasket
16	110-3766	1	Spring-Start
17	110-3767	1	Spring-Governor
18	110-3768	1	Fork Lever ASM
19	100-1905	1	Fork Lever ASM
20	100-1907	1	Lever-Fork
21	100-1908	1	Shaft-Lever, Fork
22	100-1751	1	Pin-Spring
23	100-1845	1	Bolt
24	100-2204	1	Washer-Spring
25	100-1909	1	Holder-Lever, Fork
26	100-1763	2	Bolt



## Speed Control Plate Assembly

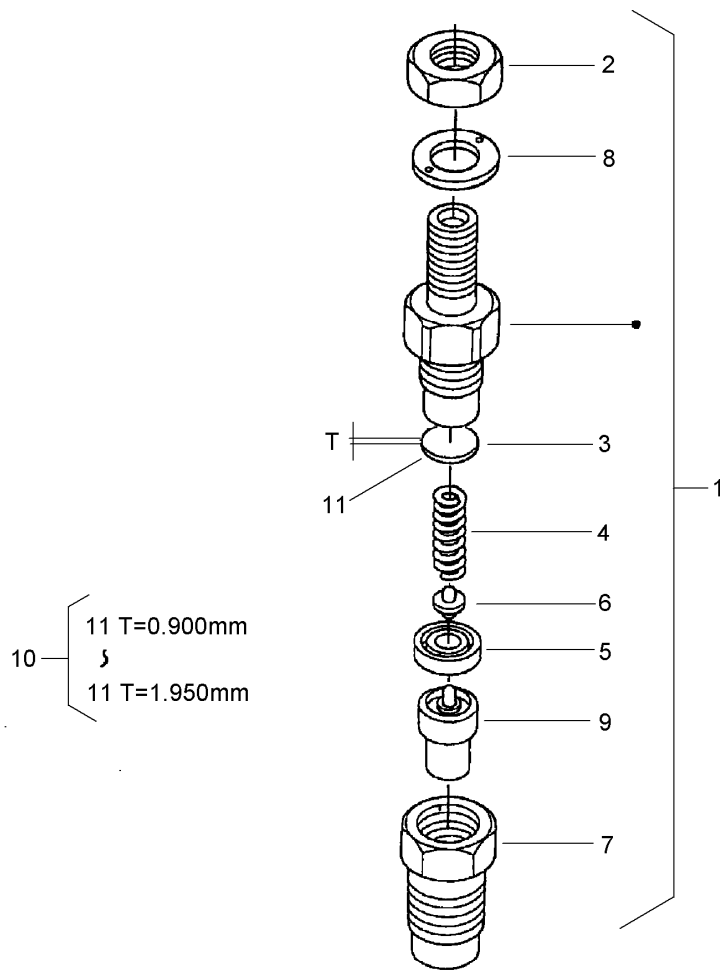
<i>Ref.</i>	<i>Part Number</i>	<i>Qty.</i>	<i>Description</i>
1	110-3769	1	Speed Control Plate ASM
2	110-3770	1	Plate-Control, Speed
3	110-3771	1	Lever-Governor
4	110-3772	1	Collar
5	100-2208	1	O-Ring
6	110-3773	1	Lever-Control, Speed
7	110-3774	1	Nut-Control, Speed
8	110-3775	1	Shaft-Lever
9	110-3776	1	Lever-Stop, Engine
10	110-3777	1	Pin-Spring
11	100-2207	1	O-Ring
12	110-3778	1	Spring-Return
13	110-3779	1	Cap
14	100-1962	1	Gasket-Plate, Control
15	98-7605	2	Bolt
16	99-8348	2	Bolt
17	98-7654	2	Gasket



## Nozzle Holder and Glow Plug Assembly

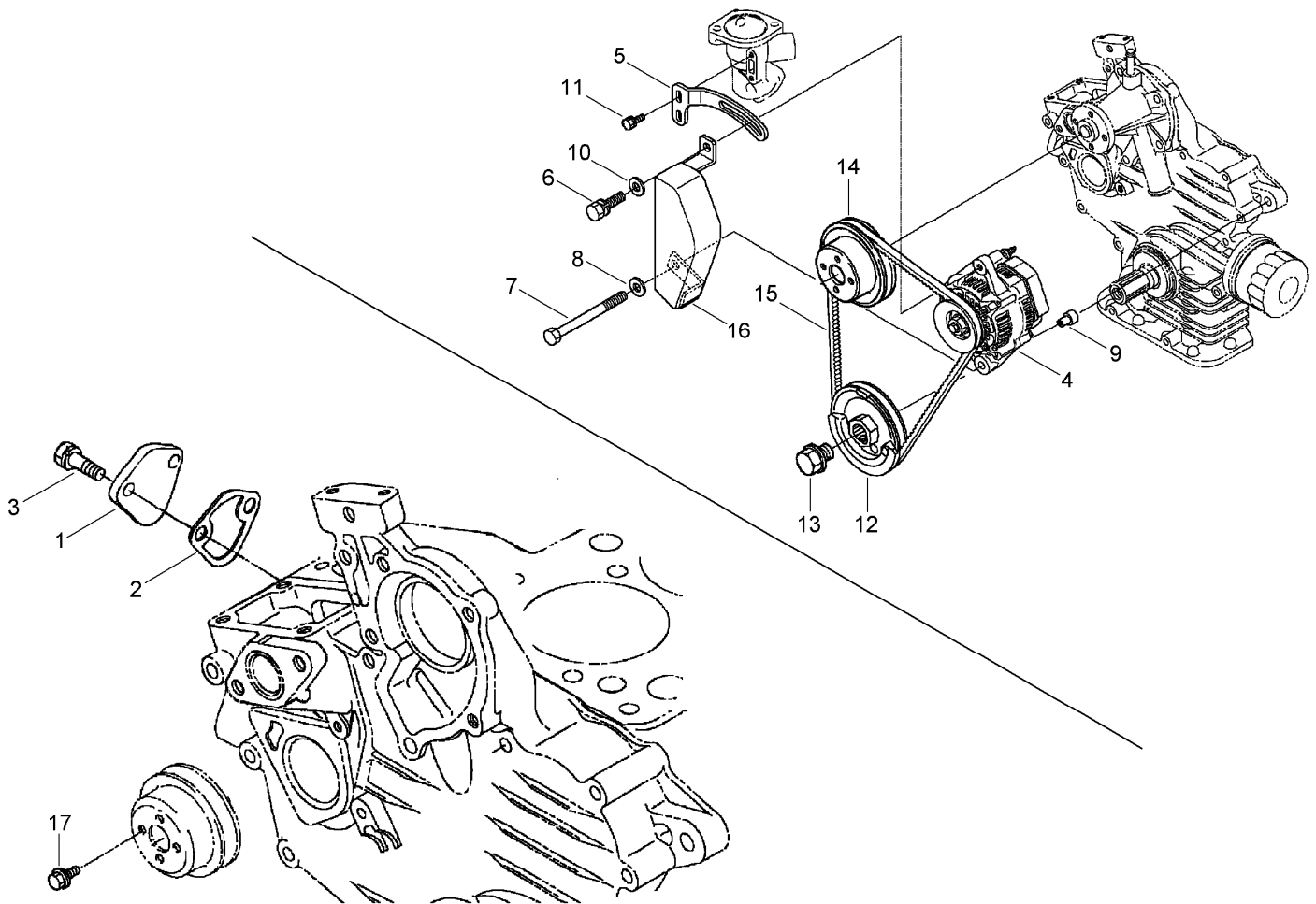
Ref.	Part Number	Qty.	Description
1	110-3780	1	Over Flow Pipe ASM
2	98-9431	1	Screw-Bleeder, Air
3	98-7654	1	Gasket
4	100-1982	3	Nozzle Holder Kit
5	100-1760	3	Nozzle Holder ASM
6	98-7676	3	Gasket
7	98-7677	3	Seal-Heat
8	110-3781	1	Pipe-Injection
9	110-3782	1	Pipe-Injection
10	110-3783	1	Pipe-Injection
11	98-7682	2	Clamp-Pipe
12	98-7683	2	Clamp-Pipe
13	98-7684	2	Screw (W/Washer)

Ref.	Part Number	Qty.	Description
14	98-7685	3	Plug-Glow
15	110-3784	1	Cord-Plug, Glow
16	99-8377	3	Nut-Flange
17	110-3785	1	Fuel Tube ASM
18	110-3786	1	Tube-Fuel
19	98-7671	4	Clip-Pipe
20	110-3787	1	Fuel Tube ASM
21	110-3788	1	Tube-Fuel
22	98-7671	2	Clip-Pipe
23	110-3789	1	Joint-T Pipe
24	110-3790	1	Fuel Tube ASM
25	110-3791	1	Tube-Fuel
26	98-9545	2	Band-Pipe



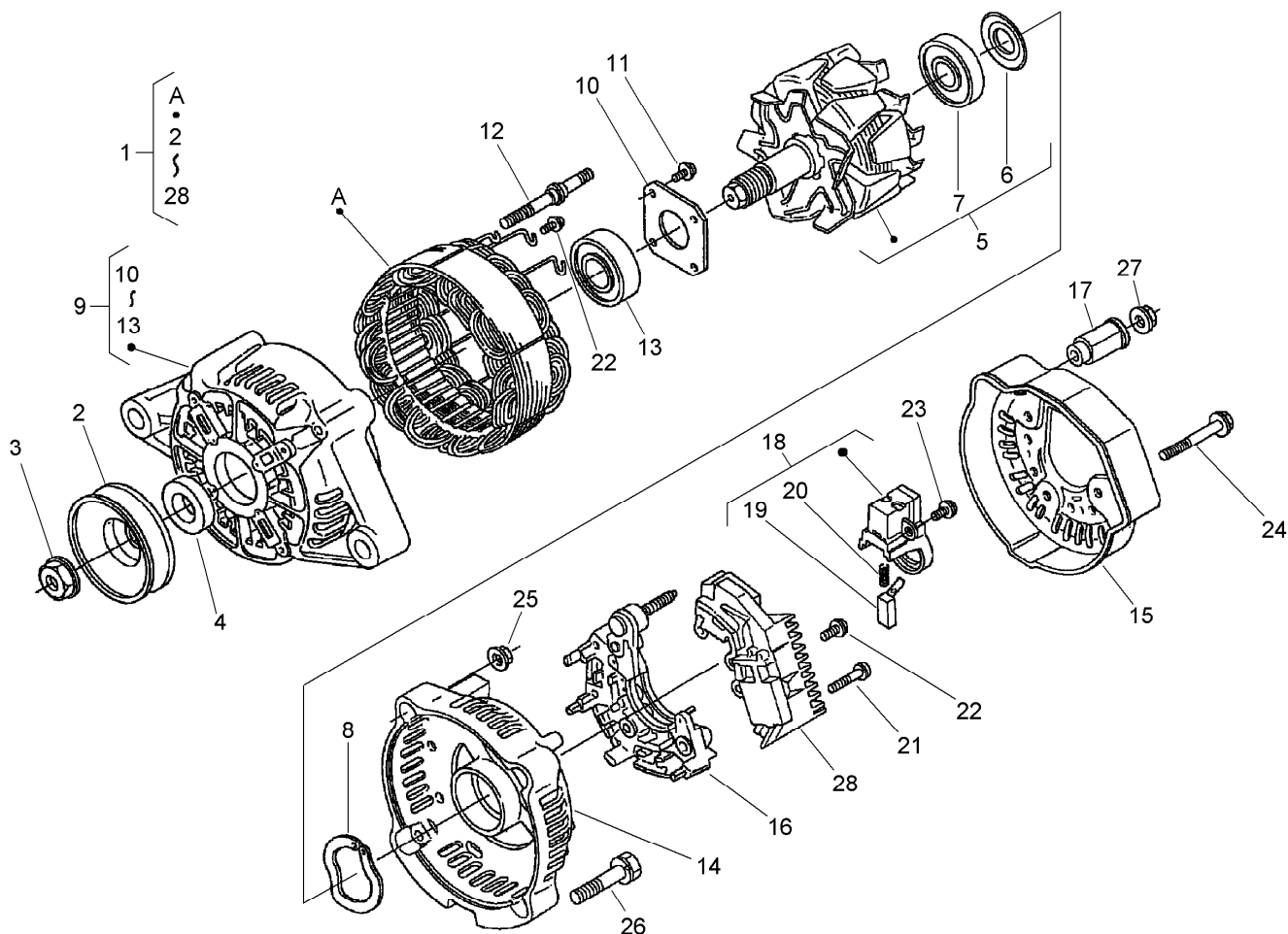
## Nozzle Holder Assembly

<i>Ref.</i>	<i>Part Number</i>	<i>Qty.</i>	<i>Description</i>	<i>Ref.</i>	<i>Part Number</i>	<i>Qty.</i>	<i>Description</i>
1	100-1760	3	Nozzle Holder ASM	11	98-7857	3	Washer-Adjusting
2	98-7613	3	Nut	11	98-7858	3	Washer-Adjusting
3	98-7642	3	Washer-Adjusting	11	98-7859	3	Washer-Adjusting
4	98-7647	3	Spring-Nozzle	11	98-7860	3	Washer-Adjusting
5	98-7665	3	Spacer-Distance	11	98-7861	3	Washer-Adjusting
6	98-7666	3	Rod-Push	11	98-7862	3	Washer-Adjusting
7	98-7667	3	Nut-Nozzle	11	98-7863	3	Washer-Adjusting
8	98-7668	3	Washer	11	98-7864	3	Washer-Adjusting
9	100-2009	3	Piece-Nozzle	11	98-7865	3	Washer-Adjusting
10	98-9448	3	Adjusting Washer ASM	11	98-7866	3	Washer-Adjusting
11	98-7642	3	Washer-Adjusting	11	98-7867	3	Washer-Adjusting
11	98-7841	3	Washer-Adjusting	11	98-7868	3	Washer-Adjusting
11	98-7842	3	Washer-Adjusting	11	98-7869	3	Washer-Adjusting
11	98-7843	3	Washer-Adjusting	11	98-7870	3	Washer-Adjusting
11	98-7844	3	Washer-Adjusting	11	98-7871	3	Washer-Adjusting
11	98-7845	3	Washer-Adjusting	11	98-7872	3	Washer-Adjusting
11	98-7846	3	Washer-Adjusting	11	98-7873	3	Washer-Adjusting
11	98-7847	3	Washer-Adjusting	11	98-7874	3	Washer-Adjusting
11	98-7848	3	Washer-Adjusting	11	98-7875	3	Washer-Adjusting
11	98-7849	3	Washer-Adjusting	11	98-7876	3	Washer-Adjusting
11	98-7850	3	Washer-Adjusting	11	98-7877	3	Washer-Adjusting
11	98-7851	3	Washer-Adjusting	11	98-7878	3	Washer-Adjusting
11	98-7852	3	Washer-Adjusting	11	98-7879	3	Washer-Adjusting
11	98-7853	3	Washer-Adjusting	11	98-7880	3	Washer-Adjusting
11	98-7854	3	Washer-Adjusting	11	98-7881	3	Washer-Adjusting
11	98-7855	3	Washer-Adjusting	11	98-7882	3	Washer-Adjusting
11	98-7856	3	Washer-Adjusting				



## Alternator, Pulley and Fuel Pump Cover Assembly

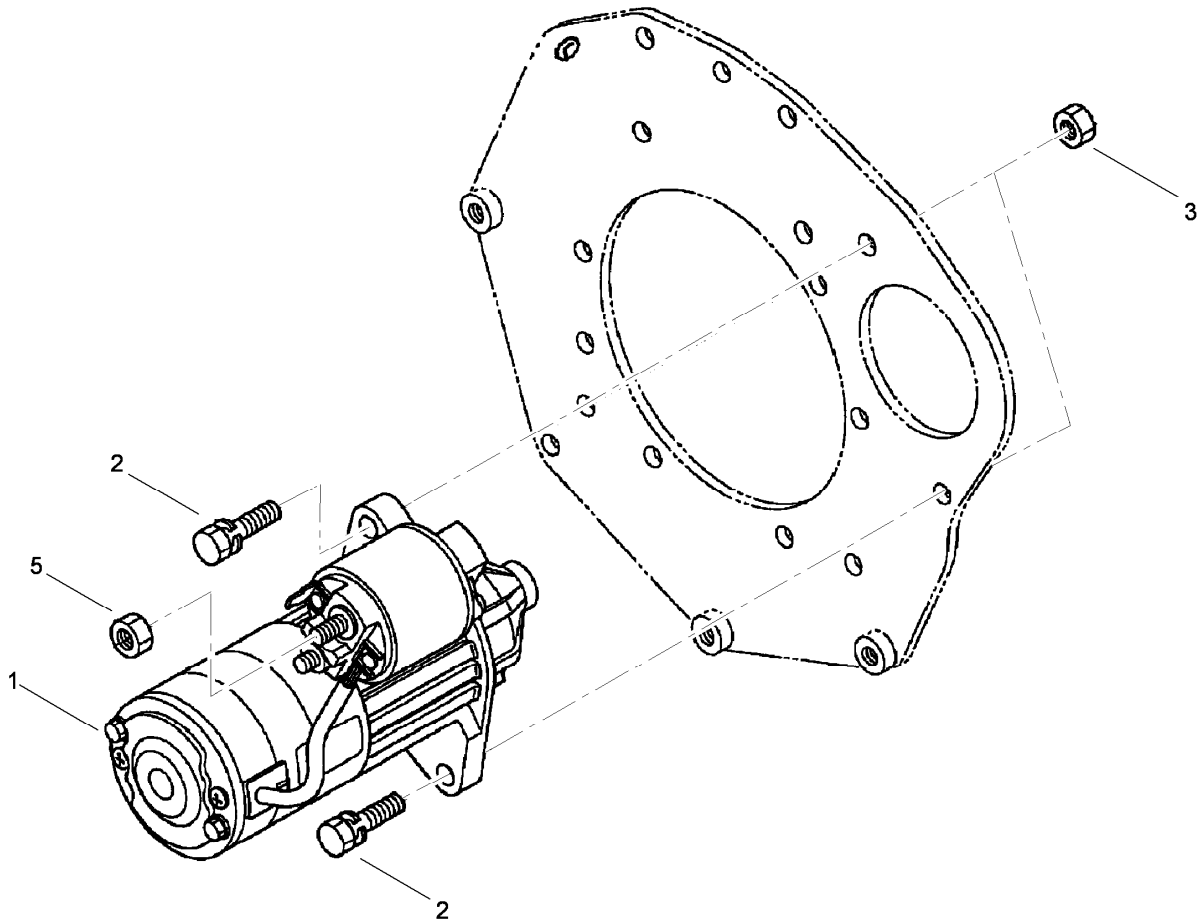
Ref.	Part Number	Qty.	Description
1	99-3514	1	Cover
2	100-1961	1	Gasket-Pump, Fuel
3	98-7692	2	Bolt
4	98-9474	1	Alternator ASM
5	110-3792	1	Stay-Alternator
6	98-7697	1	Bolt
7	110-3793	1	Bolt
8	98-7660	1	Washer-Plain
9	110-3794	1	Collar
10	100-9233	1	Washer-Plain
11	98-7692	2	Bolt
12	110-3795	1	Pulley-Drive, Fan
13	100-1978	1	Bolt
14	100-1921	1	Pulley-Fan
15	110-3796	1	Belt-V
16	110-3797	1	Cover
17	99-8363	4	Bolt-Flange



## Alternator Assembly

<i>Ref.</i>	<i>Part Number</i>	<i>Qty.</i>	<i>Description</i>
1	98-9474	1	Alternator ASM
2	98-9453	1	Pulley-Dynamo
3	98-7708	1	Nut
4	98-7709	1	Collar
5	107-0136	1	Rotor ASM
6	98-7711	1	Cover-Bearing
7	107-0138	1	Bearing-Ball
8	98-7713	1	Washer-Thrust
9	107-0139	1	Drive End Frame ASM
10	98-7715	1	Plate-Retainer
11	98-7716	4	Screw-Head, Round
12	98-7717	2	Bolt-Through
13	107-0137	1	Bearing-Ball
14	107-9087	1	Frame-End

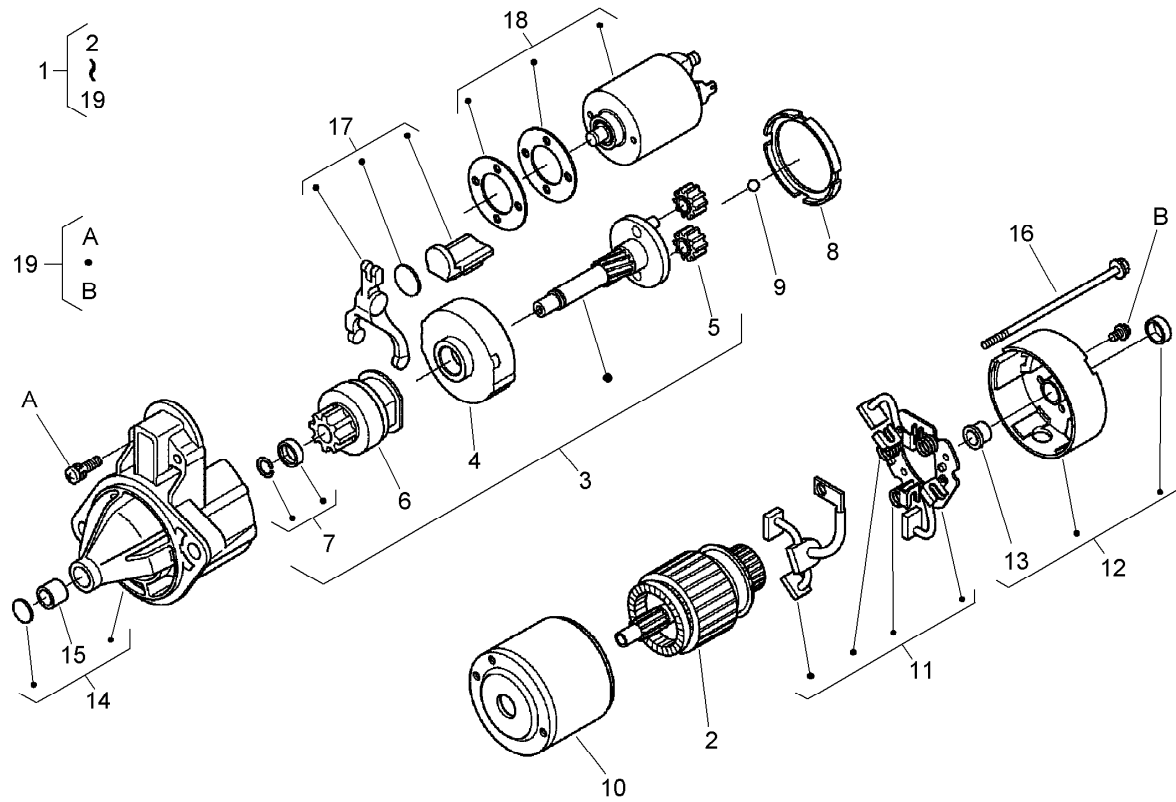
<i>Ref.</i>	<i>Part Number</i>	<i>Qty.</i>	<i>Description</i>
15	107-0140	1	Cover-End
16	98-7721	1	Rectifier ASM
17	98-7722	1	Bushing-Insulation
18	107-0141	1	Brush Holder ASM
19	98-7724	2	Brush
20	98-7725	2	Spring-Brush
21	98-7726	2	Screw-Head, Round
22	98-7727	6	Screw-Head, Round
23	98-7728	1	Screw-Head, Round
24	98-7729	3	Bolt
25	98-7730	2	Nut
26	98-7731	2	Bolt
27	98-7732	1	Nut
28	110-3799	1	Regulator ASM



## Starter Installation Assembly

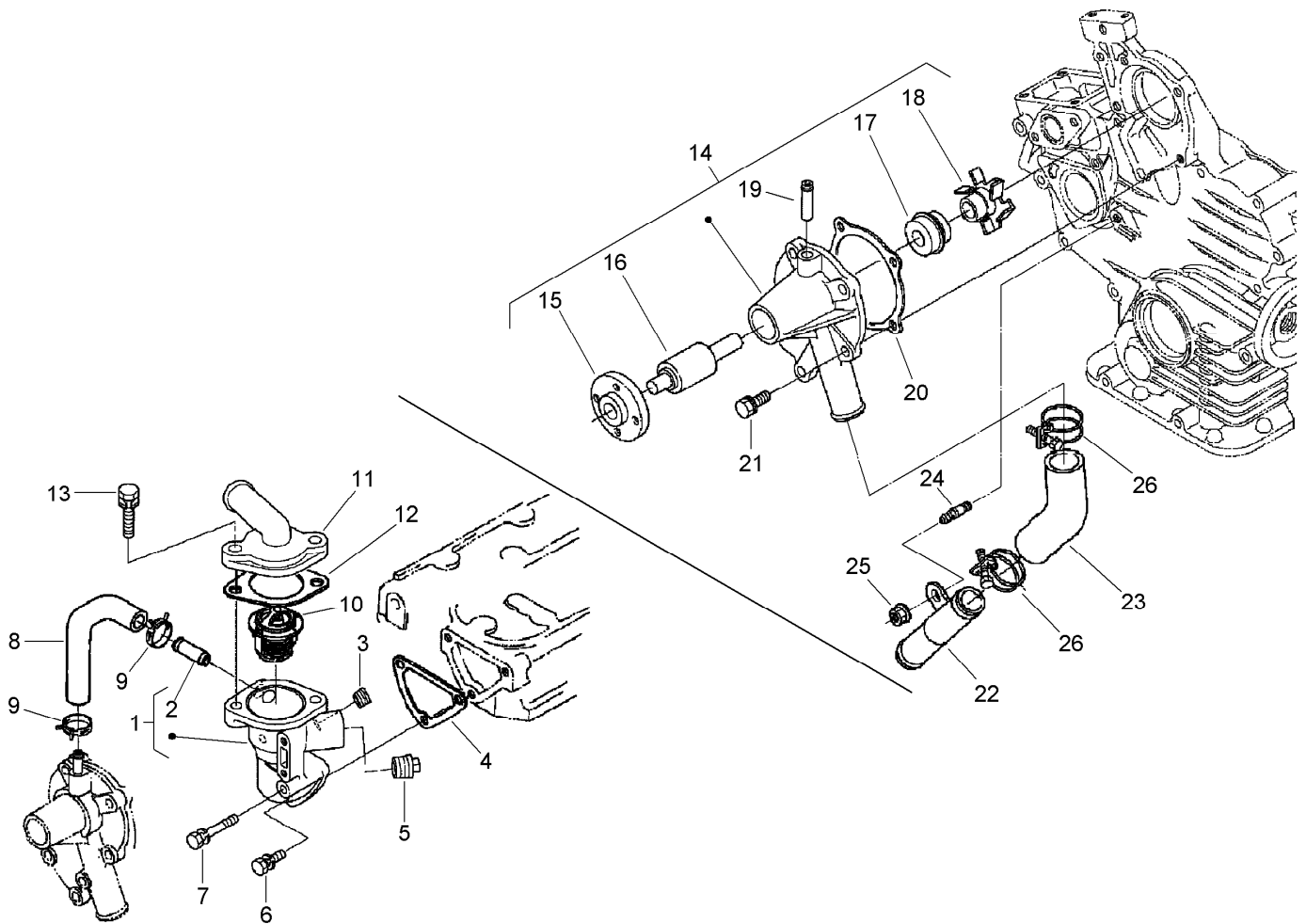
<i>Ref.</i>	<i>Part Number</i>	<i>Qty.</i>	<i>Description</i>
1	110-3800	1	Starter ASM
2	98-7697	2	Bolt
3	98-7534	2	Nut
5	98-7534	2	Nut





## Starter Assembly

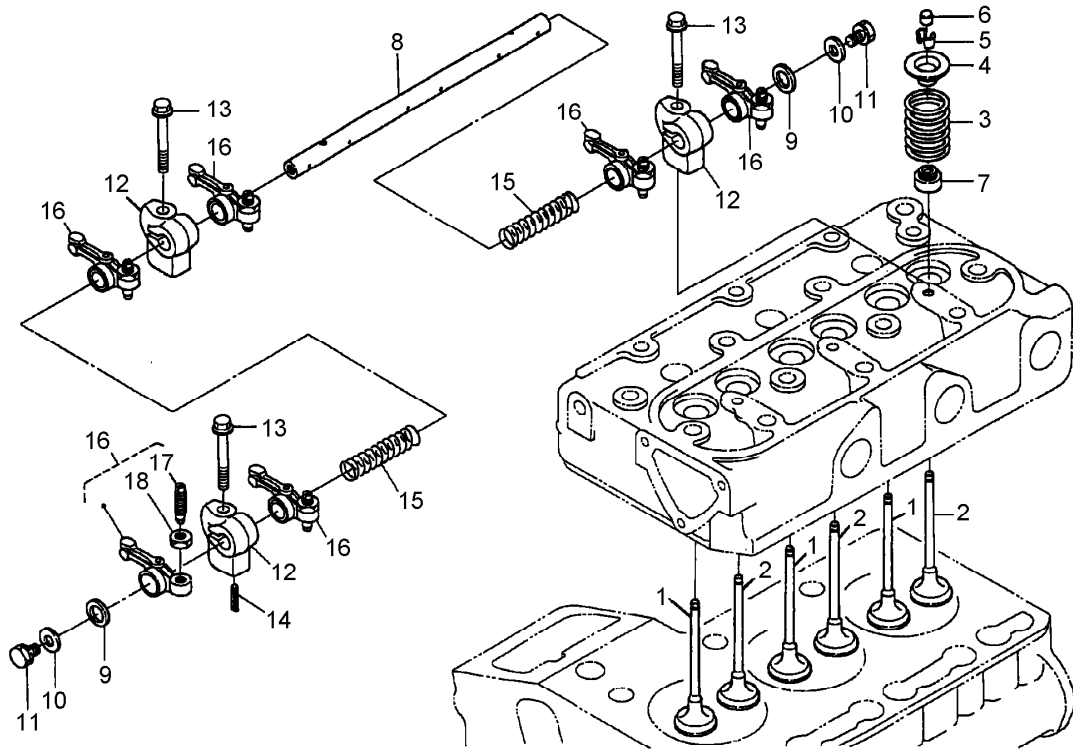
Ref.	Part Number	Qty.	Description
1	110-3800	1	Starter ASM
2	110-3801	1	Armature
3	110-3802	1	Shaft ASM
4	110-3803	1	Gear-Internal
5	110-3804	3	Gear-Planetary
6	110-3805	1	Clutch-Running, Over
7	110-3806	1	Stopper
8	110-3807	1	Gasket
9	110-3808	1	Ball
10	110-3809	1	Yoke
11	110-3810	1	Brush Holder ASM
12	110-3811	1	Rear Bracket ASM
13	110-3812	1	Bushing
14	110-3813	1	Front Bracket ASM
15	110-3814	1	Bushing
16	110-3815	2	Bolt
17	110-3816	1	Lever-Fork
18	110-3817	1	Switch-Magnetic
19	110-3818	1	Screw-Head, Pan



## Water Flange, Pump, Pipe and Thermostat Assembly

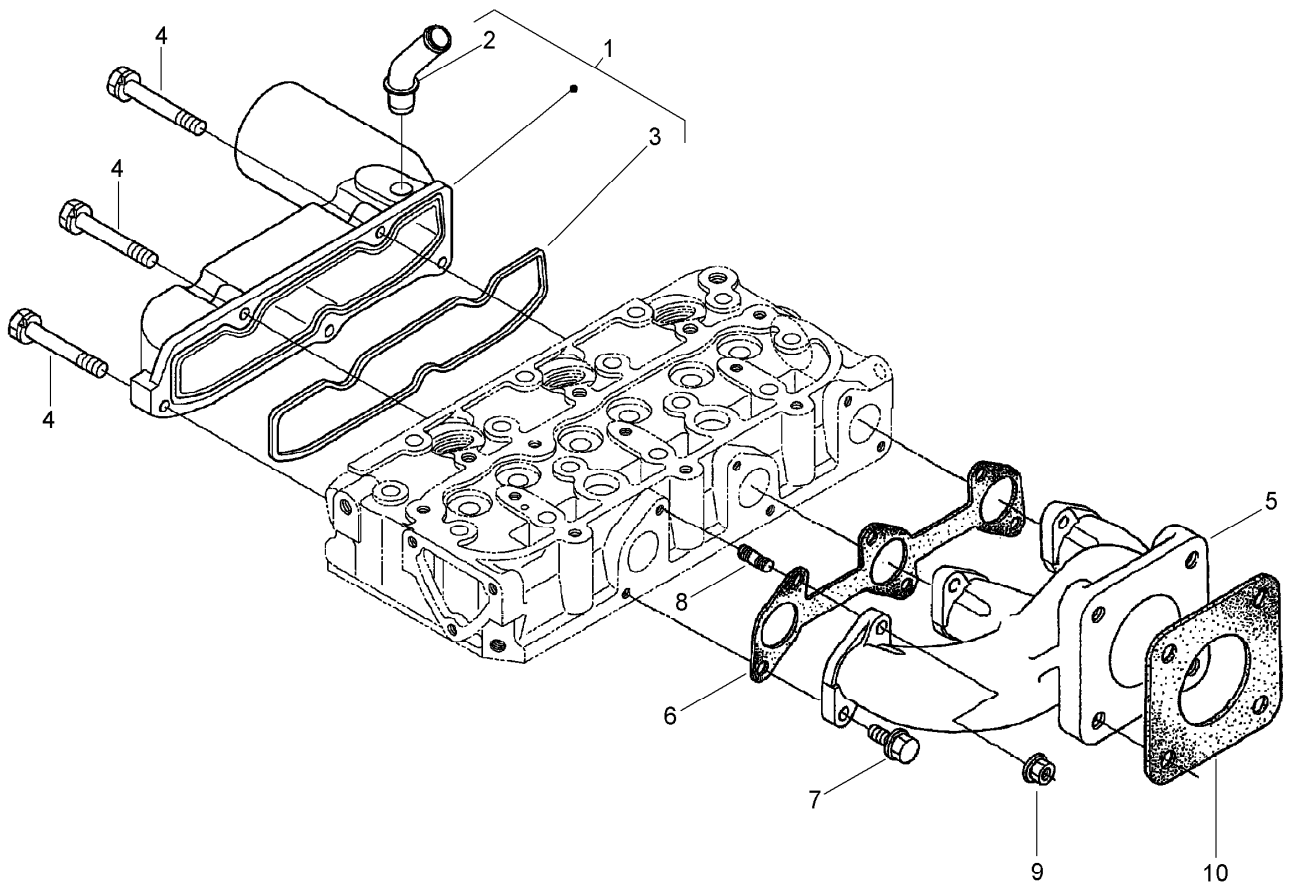
Ref.	Part Number	Qty.	Description
1	110-3819	1	Flange-Water
2	98-9580	1	Pipe-Return, Water
3	98-9444	1	Plug
4	110-3820	1	Gasket-Flange, Water
5	110-3821	1	Plug
6	98-7692	2	Bolt
7	98-9355	1	Bolt
8	110-3822	1	Pipe-Return, Water
9	98-9579	2	Band-Pipe
10	98-7778	1	Thermostat ASM
11	110-3823	1	Cover-Thermostat
12	98-7776	1	Gasket
13	98-7777	2	Bolt

Ref.	Part Number	Qty.	Description
14	110-3824	1	Water Pump ASM
15	100-1933	1	Flange-Pump, Water
16	100-1934	1	Bearing-Ball
17	99-3518	1	Water Pump Seal ASM
18	110-3825	1	Impeller-Pump, Water
19	100-1932	1	Pipe-Return, Water
20	110-3826	1	Gasket-Pump, Water
21	100-1750	4	Bolt
22	100-1918	1	Pipe-Water
23	110-3827	1	Pipe-Water
24	100-1924	1	Stud
25	100-2203	1	Nut-Flange
26	110-3828	2	Band-Pipe



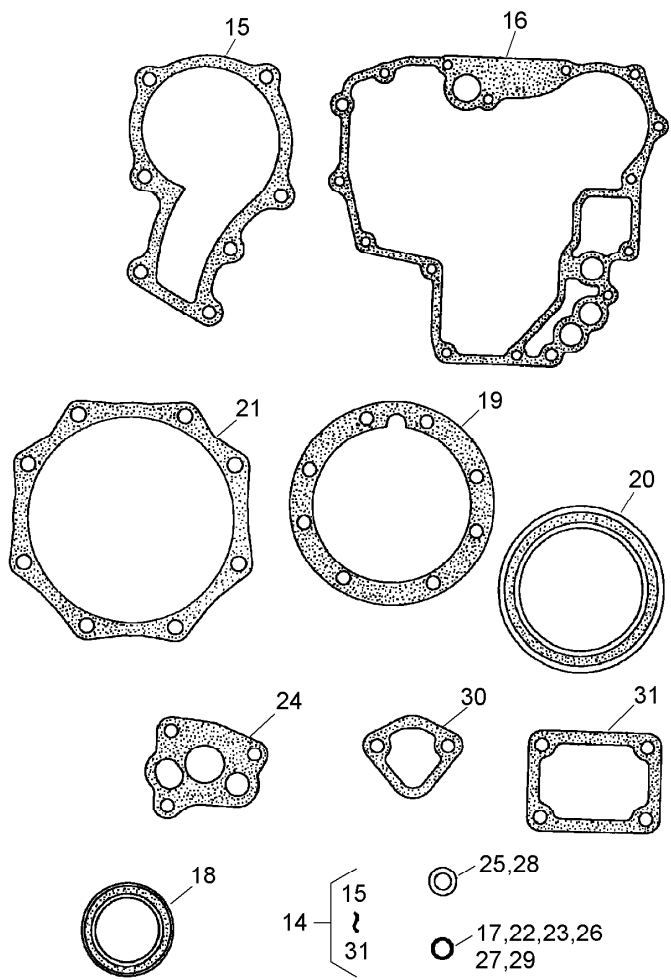
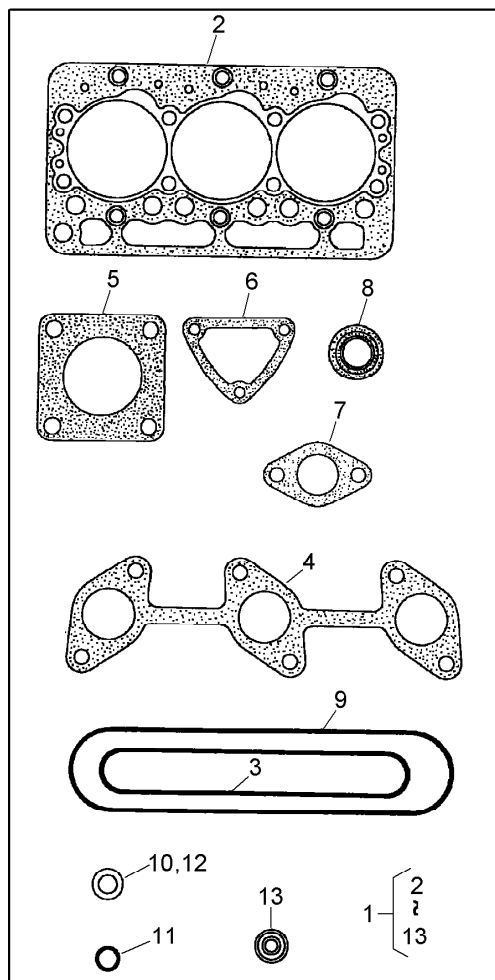
## Valve and Rocker Arm Assembly

Ref.	Part Number	Qty.	Description
1	112-2514	3	Valve-Inlet
2	112-2515	3	Valve-Exhaust
3	100-1823	6	Spring-Valve
4	100-1825	6	Retainer-Spring, Valve
5	100-1826	6	Collet-Spring, Valve
6	100-1824	6	Cap-Valve
7	100-1797	6	Seal-Stem, Valve
8	110-3831	1	Shaft-Arm, Rocker
9	100-2044	2	Washer
10	110-3832	2	Washer-Plain
11	100-1762	2	Bolt
12	110-3833	3	Bracket-Arm, Rocker
13	110-3834	3	Bolt-Flange
14	98-7602	1	Pin-Spring
15	110-3835	2	Spring
16	100-1884	6	Rocker Arm ASM
17	100-1885	6	Screw-Adjusting
18	100-1827	6	Nut



## Inlet and Exhaust Manifold Assembly

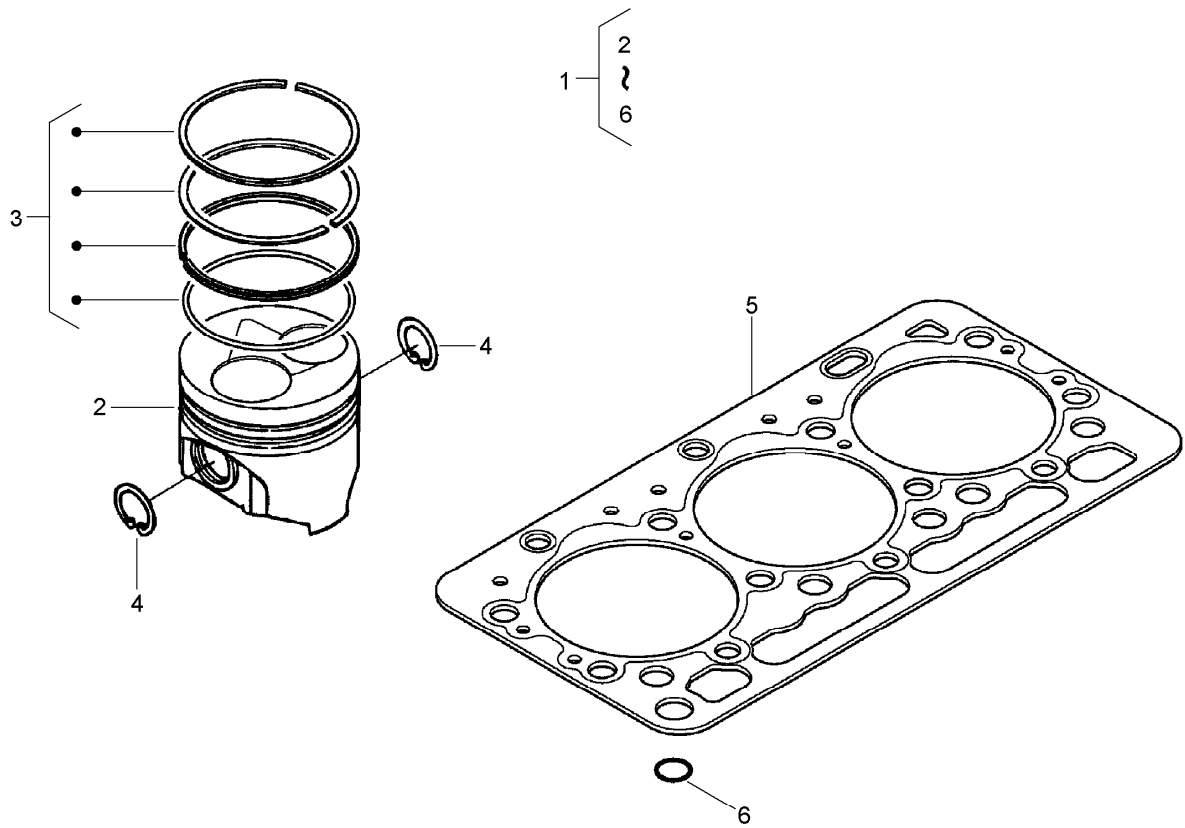
<i>Ref.</i>	<i>Part Number</i>	<i>Qty.</i>	<i>Description</i>
1	110-3836	1	Inlet Manifold ASM
2	110-3837	1	Pipe-Breather
3	110-3838	1	Gasket-Manifold, Intake
4	98-9352	5	Bolt
5	110-3839	1	Manifold-Exhaust
6	110-3840	1	Gasket-Manifold, Exhaust
7	100-1775	3	Bolt
8	100-2202	3	Stud
9	100-1778	3	Nut
10	99-8343	1	Gasket-Muffler



## Gasket Kit

Ref.	Part Number	Qty.	Description
1	110-3844	1	Upper Gasket Kit
2	110-3706	1	Gasket-Head, Cylinder
3	110-3838	1	Gasket-Manifold, Intake
4	110-3840	1	Gasket-Manifold, Exhaust
5	99-8343	1	Gasket-Muffer
6	110-3820	1	Gasket-Flange, Water
7	98-7776	1	Gasket
8	100-1797	6	Seal-Stem, Valve
9	110-3717	1	Gasket-Cover, Head
10	110-3846	1	O Ring-Breather
11	99-3446	1	O-Ring
12	98-7676	3	Gasket
13	98-7677	3	Seal-Heat
14	110-3847	1	Lower Gasket Kit
15	100-1976	1	Gasket-Pump, Water
16	110-3707	1	Case-Gear

Ref.	Part Number	Qty.	Description
17	98-7509	1	O-Ring
18	100-1971	1	Seal-Oil
19	100-1873	1	Gasket-Case, Bearing
20	110-3724	1	Seal-Oil
21	100-1876	1	Gasket-Case, Bearing
22	100-1785	3	O-Ring
23	100-2209	1	O-Ring
24	100-1958	1	Gasket-Pump, Oil
25	98-7654	3	Gasket
26	100-2208	1	O-Ring
27	100-2207	1	O-Ring
28	98-9399	3	Gasket
29	100-2205	1	O-Ring
30	100-1961	1	Gasket-Pump, Fuel
31	100-1962	1	Gasket-Plate, Control



## Piston Kit

<i>Ref.</i>	<i>Part Number</i>	<i>Qty.</i>	<i>Description</i>
1	110-3848	1	Piston Kit
2	112-8398	3	Piston STD
3	110-3732	3	Piston Ring ASM (STD)
4	100-1835	6	Clip-Pin, Piston
5	110-3706	1	Gasket-Head, Cylinder
6	98-7509	1	O-Ring

# Attachments and Accessories

## For 74279TE Z580-D Z Master, With 52 Rear Discharge Mower

<b>Product Name</b>	<b>Model/Part</b>
Blade-Recycler, 18 inch .....	105-7779-03
Blade-Hi Flow, 18 Inch .....	105-7781-03
Blade-Med Flow, 18 inch.....	105-7794-03
Blade-Low Flow, 18 inch.....	105-7795-03
Blade-Atomic, 18 inch.....	105-7796-03
Light Kit.....	107-9880
Blade-Hi Flow, 18 inch (6 Pack) .....	108-1117
Blade-Atomic, 18 inch (6 Pack).....	108-1118
Blade-Lo Flow, 18 inch (6 Pack) .....	110-0406
Blade-Recycler, 18 inch (6 Pack).....	110-0408
Blade-Med Flow, 18 inch (6 Pack) .....	110-0409
Bimini Sunshade.....	110-5726
Filter Minder Gauge .....	99-4664
Hitch Kit .....	99-8925



**Count on it.**