



Count on it.

Parts Catalog

Z580-D Z Master®

With 132cm TURBO FORCE® Side Discharge Mower

Model No. 74264TE—Serial No. 280000001 and Up

Ordering Replacement Parts

To order replacement parts, please supply the part number, the quantity, and the description of each part desired.

Understanding Reference Numbers

Each identified part in an illustration has a reference number. The reference number for a part also appears in the parts list, along with other information about the part.

This catalog uses two special reference number formats, one to indicate parts in a service assembly and another to indicate the quantity of a given part in an illustration.

Service Assembly Reference Numbers

Parts in service assemblies have reference numbers in the form a:b. The a represents the reference number of the entire service assembly and the b represents a sequential number unique to each part within the service assembly.

For example, a wheel assembly might be identified by reference number 6, the tire by 6:1, the valve by 6:2, and the wheel by 6:3. When you order the assembly identified by reference number 6, you receive all parts identified by reference numbers 6:1, 6:2, and 6:3. However, you may also order any part individually. Reference numbers of this type appear in illustration and in parts lists.

Reference Numbers Indicating Quantity

In an illustration, if a reference number indicates more than one part, the reference number has the form nX y. The n represents the quantity of the part, the X is the multiplication symbol, and the y represents the reference number.

For example, in an illustration, the reference number 2X 37 means that two of the parts identified by reference number 37 are indicated.

List of Abbreviations

AR: as required

ASM: assembly

BBC: blade brake control

BHTF: button head thread forming

CARR: carriage

CCW: counter clockwise

CW: clockwise

DEG: degrees

ECM: electronic control module

EXT: external

FH: flat head

GA: gauge

HD: heavy-duty

HF: hex flange

HH: hex head

HHF: hex head flange

HHFTF: hex head flange thread forming

HJ: hex jam

HLH: hex lag head

HOC: height-of-cut

HSBH: hex socket button head

HSFH: hex socket flat head

HSH: hex socket head

HWH: hex washer head

HWHTF: hex washer head thread forming

HYD: hydraulic

LH: left hand

LP: Liquid Propane

NI: nylon insert

NPTF: national pipe thread fine

PFH: phillips flat head

PPH: phillips pan head

PPHTF: phillips pan head thread forming

PRH: phillips round head

PTH: phillips truss head

PTO: power-take-off

RH: right hand

ROPS: roll-over protection system

RRB: rear roller brush

SFH: slotted fillister head

SHH: slotted hex head

SHWH: slotted hex washer head

SPH: slotted pan head

SQH: square head

SRH: slotted round head

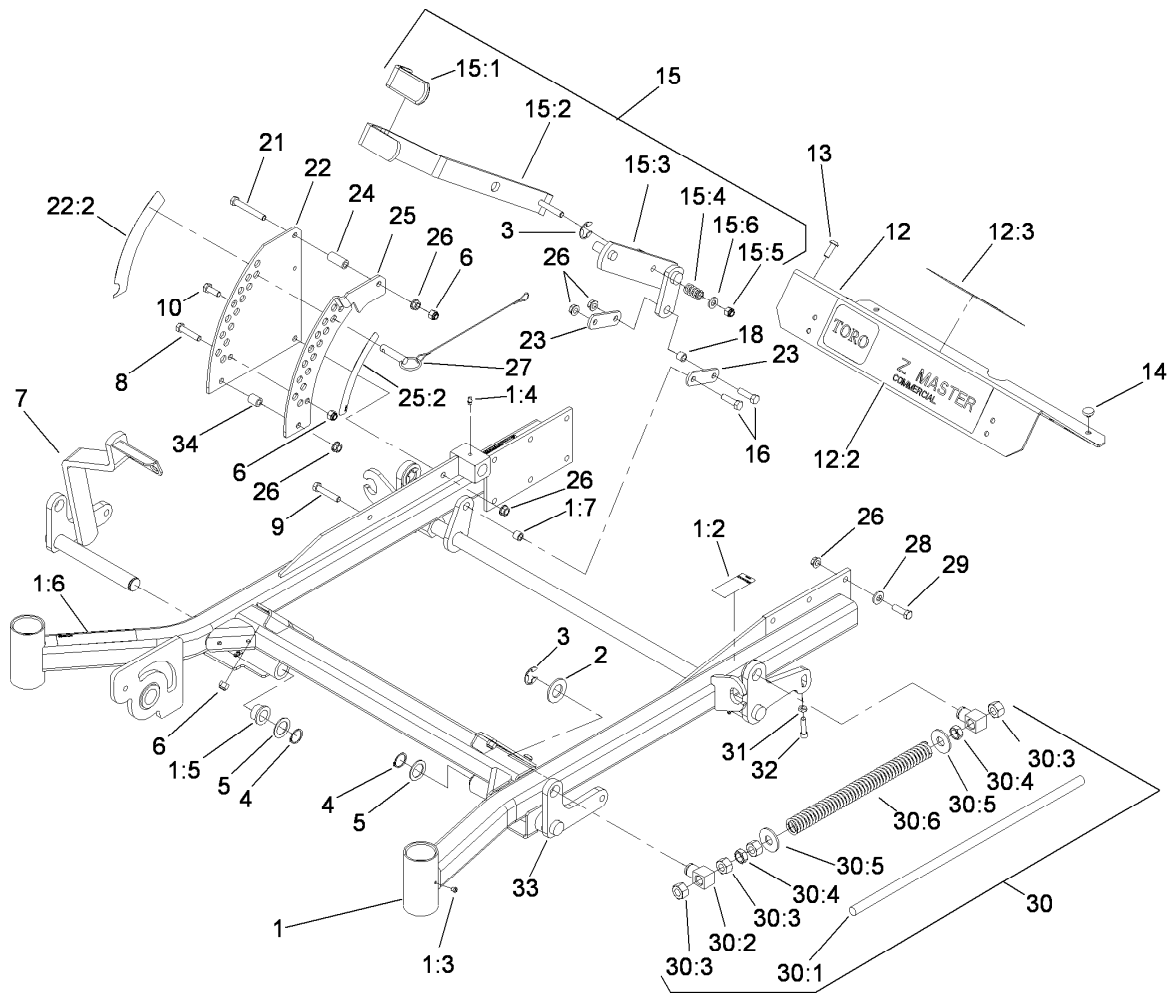
STD: standard

TAP: self tapping

TTH: torx truss head

Contents

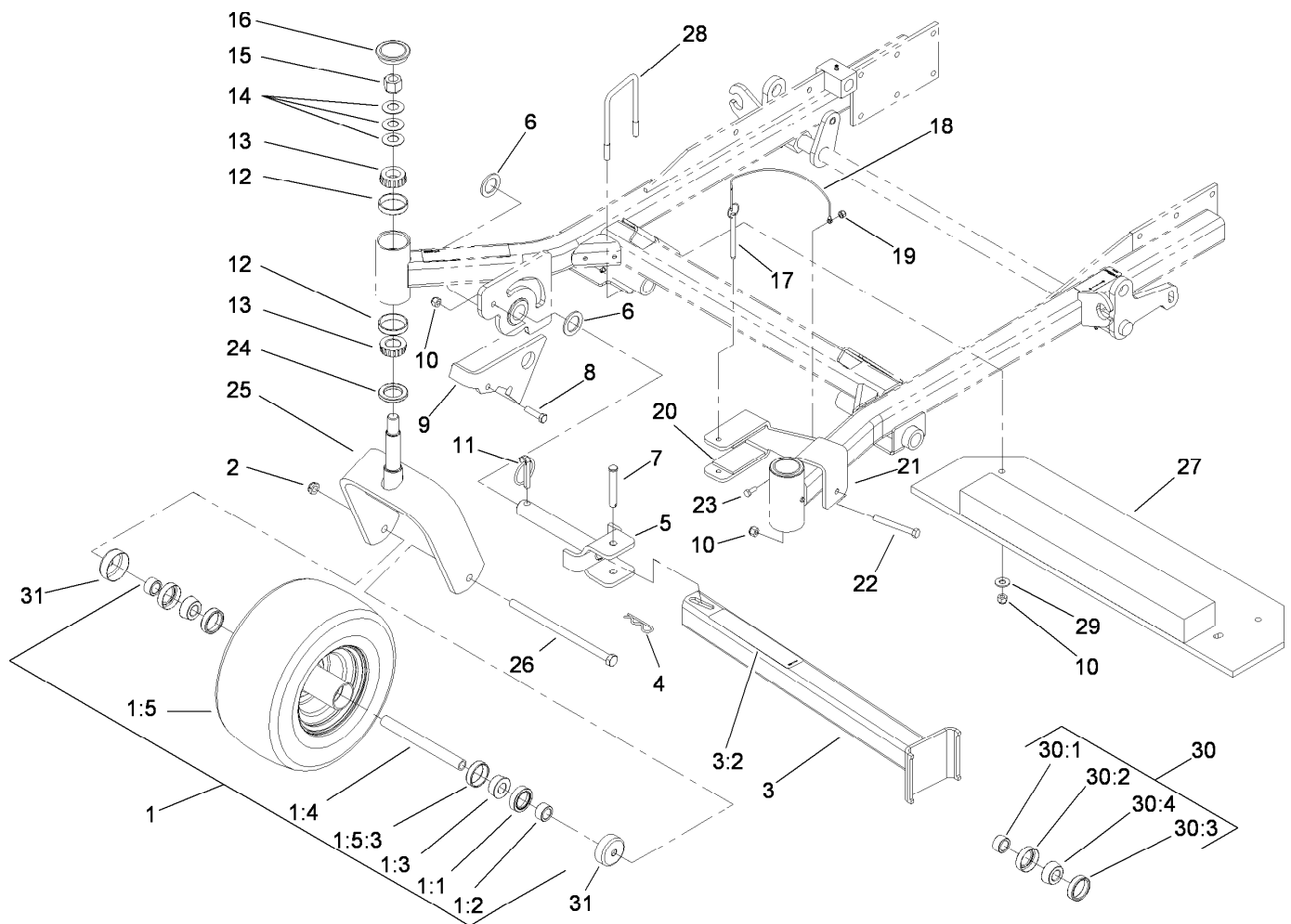
Front Frame Assembly	4
Fork, Caster Wheel and Z Stand Assembly	5
Traction Frame and Floor Pan Assembly	6
Roll-Over Protection System Assembly	7
Deluxe Seat Assembly No. 110-0838	8
Roll-Over Protection System Assembly No. 110-0877	9
Main Frame and Rear Wheel Assembly	10
Hydro Control Assembly	11
Engine, Exhaust and Air Intake Assembly	12
Air Cleaner Assembly No. 93-2190	13
Hydro and Gearbox Assembly	14
Gearbox Assembly No. 107-9887	15
Hydraulic Tank, Pump and Motor Assembly	16
Tandem Pump Assembly No. 107-9885	18
Hydraulic Motor Assembly No. 112-8357 (CCW)	19
Hydraulic Motor Assembly No. 112-8358 (CW)	20
Hydraulic Hose System Assembly	21
Fuel System and Throttle Control Assembly	22
Engine Housing Assembly	23
Cooling System Assembly	24
Hood Assembly	25
Deck Connection Assembly	26
Deck Assembly	27
Spindle Assembly No. 108-7713	28
Deck Decal Assembly No. 108-5966	29
Rubber Deflector Assembly No. 108-2792	30
Lever Assembly No. 107-1664	31
Electrical Assembly	32
Crankcase Assembly	33
Oil Pan Assembly	34
Cylinder Head Assembly	35
Gear Case and Oil Filter Cartridge Assembly	36
Head Cover Assembly	37
Dipstick, Guide and Oil Pump Assembly	38
Main Bearing Case Assembly	39
Camshaft and Idle Gear Shaft Assembly	40
Piston and Crankshaft Assembly	41
Flywheel, Fuel Camshaft and Governor Shaft Assembly	42
Idle Apparatus and Stop Solenoid Assembly	43
Injection Pump and Governor Assembly	44
Speed Control Plate Assembly	45
Nozzle Holder and Glow Plug Assembly	46
Nozzle Holder Assembly	47
Alternator, Pulley and Fuel Pump Cover Assembly	48
Alternator Assembly	49
Starter Installation Assembly	50
Starter Assembly	51
Water Flange, Pump, Pipe and Thermostat Assembly	52
Valve and Rocker Arm Assembly	53
Inlet and Exhaust Manifold Assembly	54
Gasket Kit	55
Piston Kit	56
Attachments and Accessories	57



Front Frame Assembly

Ref.	Part Number	Qty.	Description	Ref.	Part Number	Qty.	Description
1	110-0800	1	Frame ASM	15:5	3296-39	1	Nut-Lock, NI
1:2	107-3968	1	Decal-Brake, Parking	15:6	3256-24	1	Washer-Flat
1:3	1-811010	2	Plug	16	323-29	2	Screw-HH
1:4	302-19	5	Fitting-Grease	18	103-1918	1	Bushing
1:5	94-1291	2	Bushing	21	323-13	1	Screw-HH
1:6	107-3969	1	Decal-Warning	22	115-2758	1	Lift Plate-Deck, Outer
1:7	103-1918	1	Bushing	22:2	107-3961	1	Decal-Deck Height, Large
2	3256-29	4	Washer-Flat	23	1-633068	2	Arm-Lift, Deck
3	32151-103	5	Ring-Retaining, EXT	24	1-633082	1	Bushing-Lever, Lift
4	32151-29	2	Ring-Retaining	25	110-0836	1	Plate-Deck Lift, Inner (Ce)
5	1-523157	2	Washer-Spacer	25:2	107-3962	1	Decal-Deck Height, Small
6	3296-39	6	Nut-Lock, NI	26	3290-357	17	Nut-HHF, Whiz
7	108-7786-01	1	RH Front Deck Lift ASM	27	106-9951	1	Hitch Pin ASM
8	323-9	1	Screw-HH	28	98-5975	12	Washer-Belleville
9	323-10	1	Screw-HH	29	323-7	12	Screw-HH
10	323-6	1	Screw-HH	30	1-634439	2	Front Frame Spring ASM ●
12	107-3976	1	Footrest	30:1	1-633096	1	Rod-Lift, Deck
12:2	106-7451	1	Decal	30:2	1-633441	2	Swivel-Deck Mount, Rear
12:3	107-1866	1	Decal-Danger, Slope	30:3	3217-11	4	Nut-Hex
13	3274-94	4	Screw-HSBH	30:4	3218-6	2	Nut-Jam
14	1-513658	2	Bumper	30:5	3256-7	2	Washer-Flat
15	110-5860	1	Deck Lift Handle ASM	30:6	1-633064	1	Spring-Support, Deck
15:1	1-633295	1	Grip-Lever, Lift	31	3218-2	2	Nut-Jam
15:2	103-2083	1	Lever-Lift	32	3274-18	2	Screw-HSH
15:3	103-2064	1	Arm-Lift, Deck	33	106-8984-01	1	LH Deck Lift ASM
15:4	1-633325	1	Spring-Compression	34	1-633080	1	Bushing-Lever, Lift

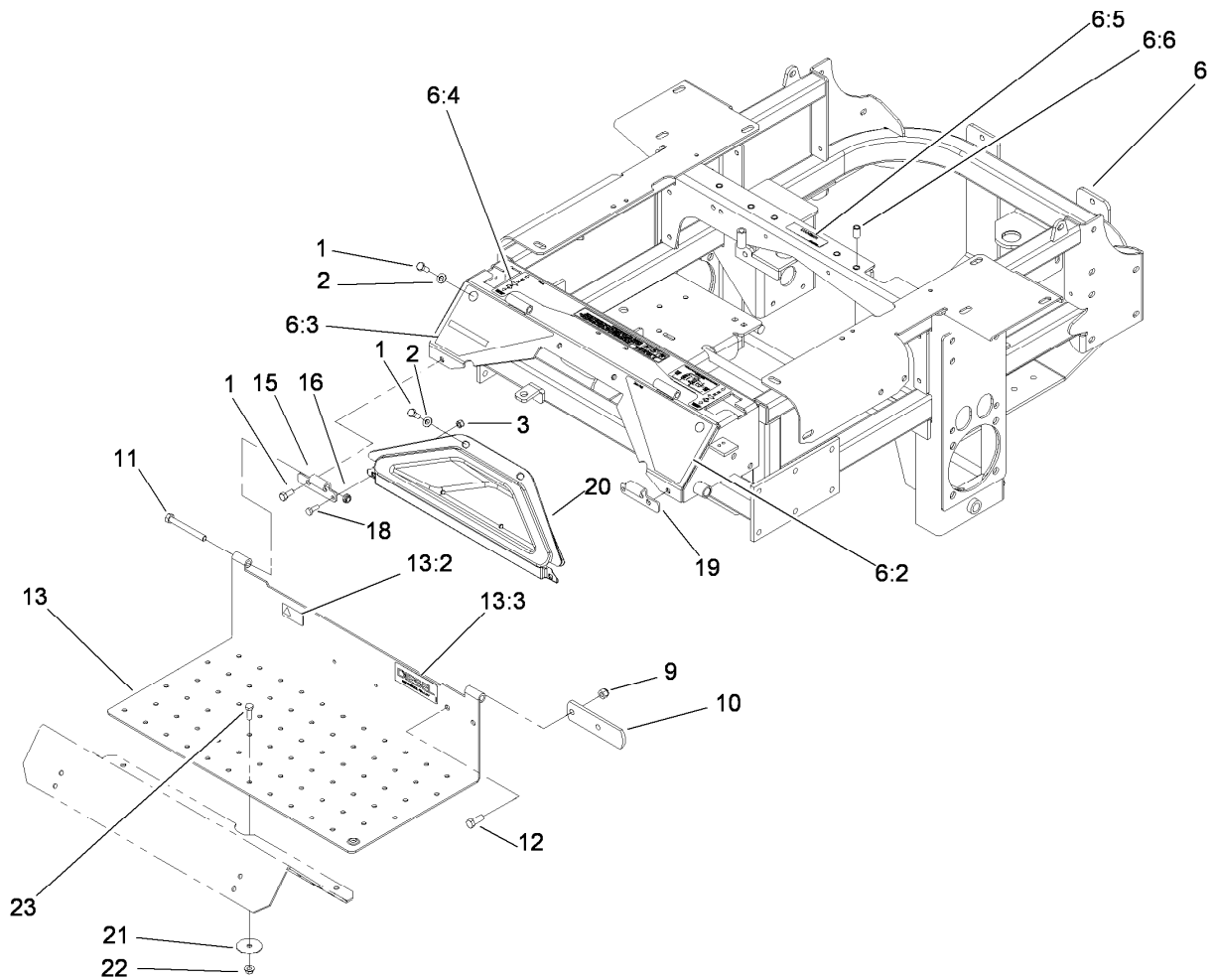
● Not serviced separately



Fork, Caster Wheel and Z Stand Assembly

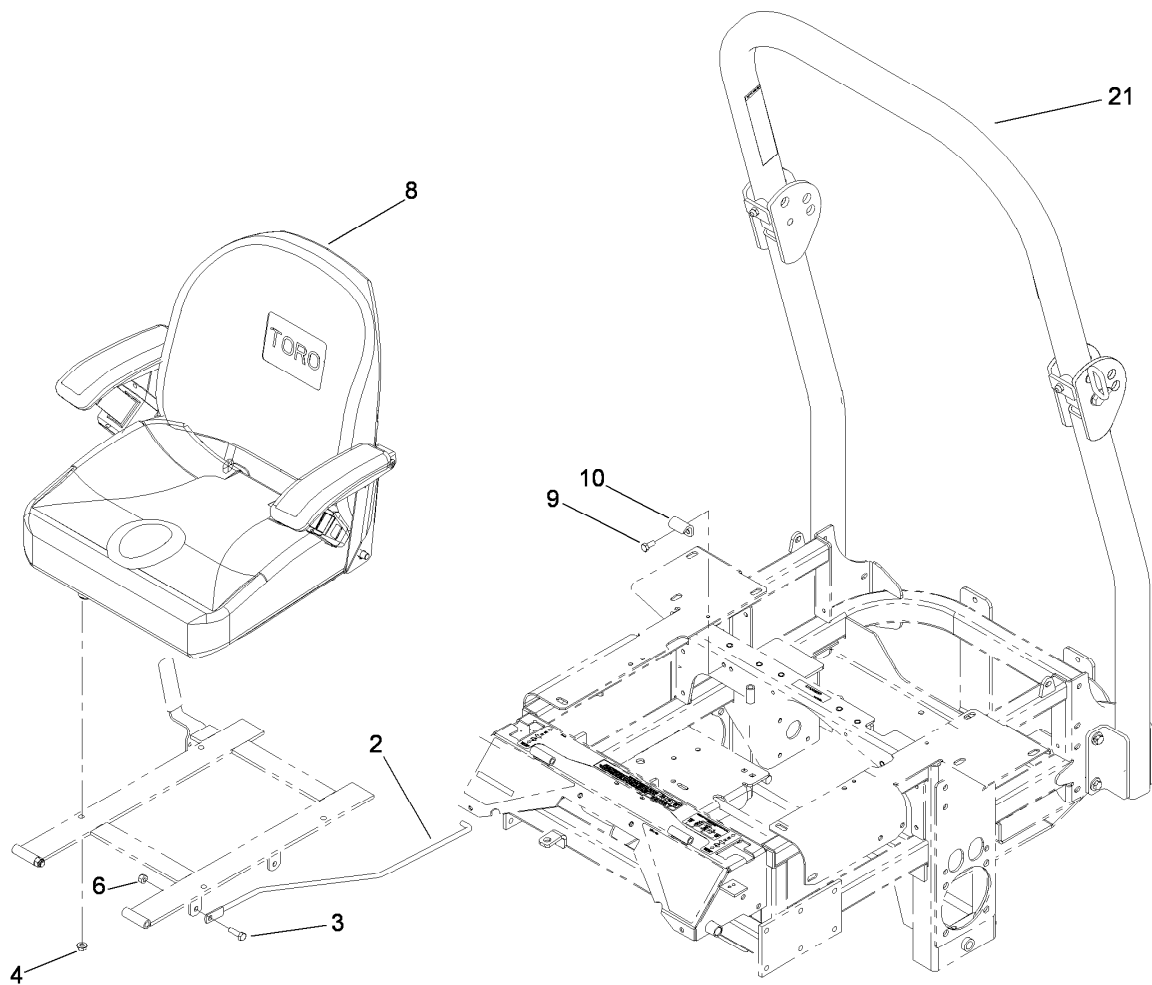
Ref.	Part Number	Qty.	Description	Ref.	Part Number	Qty.	Description
1		2	Castor Wheel ASM (Semi-Pneumatic)	14	1-633508	6	Washer-Bellville
1:1	1-633580	2	Seal-Bearing	15	3296-51	2	Nut-Lock, NI
1:2	1-633581	2	Spacer-Bearing	16	103-4882	2	Cap-Grease
1:3	1-633585	2	Bearing-Cone, Taper	17	105-1647	1	Pin-Hitch, Cotterless
1:4	1-633959	1	Spacer-Caster, Front	18	100-9385	1	Lanyard-Nylon
1:5		1	Wheel And Tire ASM (Semi-Pneumatic) ●	19	3296-42	1	Nut-Lock, NI
1:5:3	1-633584	1	Bearing-Cup	20	100-6547	2	Cushion-Rubber
2	3296-23	2	Nut-Lock, NI	21	100-6542-01	1	Bracket-Cradle
3	107-1874	1	Leg ASM	22	323-20	1	Screw-HH
3:2	106-7464	1	Decal-Z Stand	23	321-4	1	Screw-HH
4	3290-355	1	Pin-Hair	24	1-543511	2	Seal-Grease
5	100-9692-01	1	Pivot Pin ASM	25	1-642111-01	2	Caster
6	3-6781	2	Washer-Thrust	26	325-24	2	Screw-HH
7	283-55	1	Pin-Clevis	27	107-9874-01	1	Weight ASM
8	323-8	1	Screw-HH	28	110-0817	2	U-Bolt, 3 Inch
9	100-9686-01	1	Bracket-Latch	29	3256-4	4	Washer-Flat
10	3296-39	6	Nut-Lock, NI	30	110-8837	1	Caster Wheel Bearing Kit
11	283-71	1	Pin-Lynch	30:1	1-633581	2	Spacer-Bearing
12	254-72	4	Bearing-Cup, Tapered	30:2	1-633580	2	Seal-Bearing
13	254-94	4	Bearing-Cone, Tapered	30:3	1-633584	2	Bearing-Cup
				30:4	1-633585	2	Bearing-Cone, Taper
				31	103-2768	4	Guard-Seal

● Not serviced separately



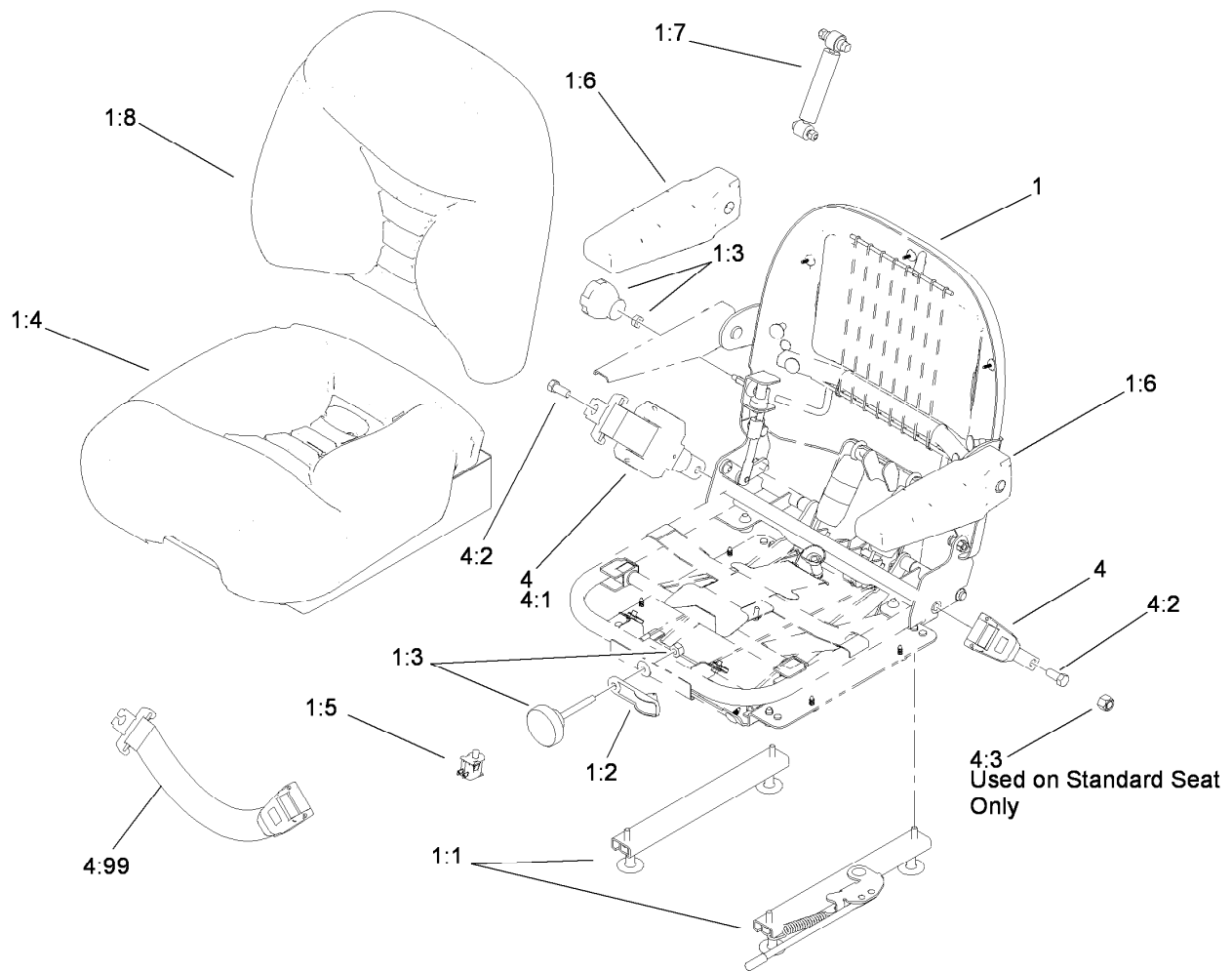
Traction Frame and Floor Pan Assembly

Ref.	Part Number	Qty.	Description
1	322-43	6	Screw-HH
2	3256-70	4	Washer-Flat
3	3296-42	2	Nut-Lock, NI
6	115-2757	1	Traction Frame ASM
6:2	107-3963	1	Decal-Danger, Left
6:3	107-3964	1	Decal-Warning, Right
6:4	110-0820	1	Decal-Console, Top (Ce)
6:5	98-1977	1	Decal-Warning
6:6	32148-11	5	Insert-Threaded
9	3296-39	2	Nut-Lock, NI
10	1-633964-03	1	Stop-Brake, Park
11	323-20	2	Screw-HH
12	323-6	2	Screw-HH
13	115-3851	1	Floor Pan ASM
13:2	98-4387	1	Decal-Protection, Ear
13:3	114-5879	1	Decal-Diesel, Bio-Ready
15	106-7488-03	1	Hinge-Floorpan, LH
16	3296-59	2	Nut-Lock, NI
18	321-4	2	Screw-HH
19	106-7489-03	1	Hinge-Floorpan, RH
20	106-7498	1	Pocket
21	1-653036	1	Washer
22	32128-25	1	Nut-HF
23	322-4	1	Screw-HH



Roll-Over Protection System Assembly

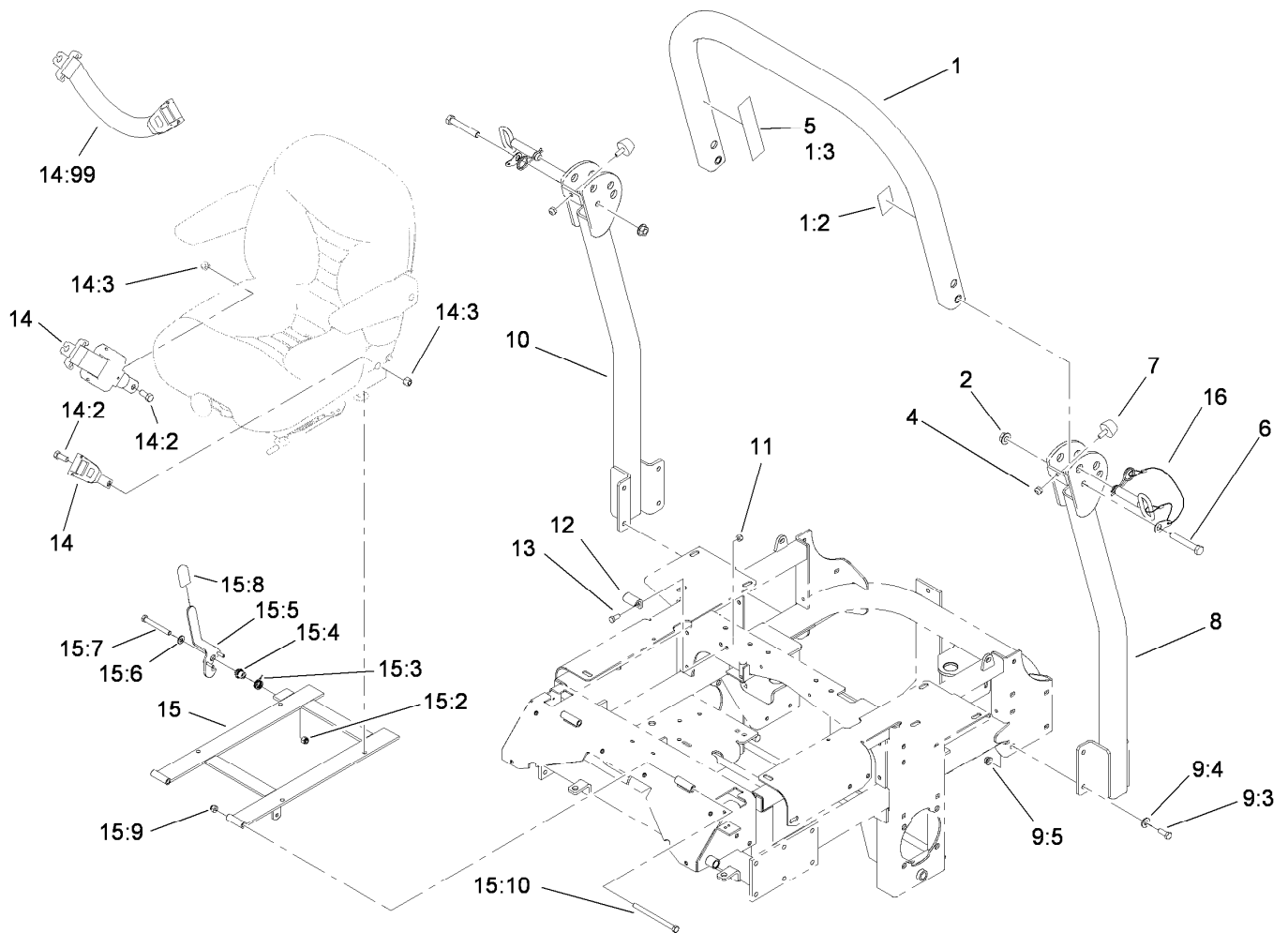
<i>Ref.</i>	<i>Part Number</i>	<i>Qty.</i>	<i>Description</i>
2	108-5341	1	Rod-Prop, Seat
3	322-5	1	Screw-HH
4	32128-20	4	Nut-HF
6	3296-29	3	Nut-Lock, NI
8	110-0838	1	Deluxe Seat ASM
9	322-3	2	Screw-HH
10	107-3058	1	Catch-Latch, Seat
21	110-0877	1	ROPS Kit



Deluxe Seat Assembly No. 110-0838

<i>Ref.</i>	<i>Part Number</i>	<i>Qty.</i>	<i>Description</i>
1	112-8355	1	Seat-Suspension
1:1	107-1880	1	Seat Track Kit
1:2	107-1885	1	Weight Indicator Kit
1:3	107-1881	1	Knob Kit
1:4	107-1883	1	Bottom Cushion Kit
1:5	82-2190	1	Switch-Bail
1:6	107-1887	1	Armrest Kit
1:7	107-1884	1	Shock Absorber Kit
1:8	112-8356	1	Cushion-Back
4	110-0883	1	Retractable Seatbelt Kit
4:1		1	Seatbelt-Retractable ●
4:2	3212-4	2	Screw-HH
4:3	3296-7	2	Nut-Lock
4:99	109-6226	1	Seat Belt Extension Kit

● Not serviced separately

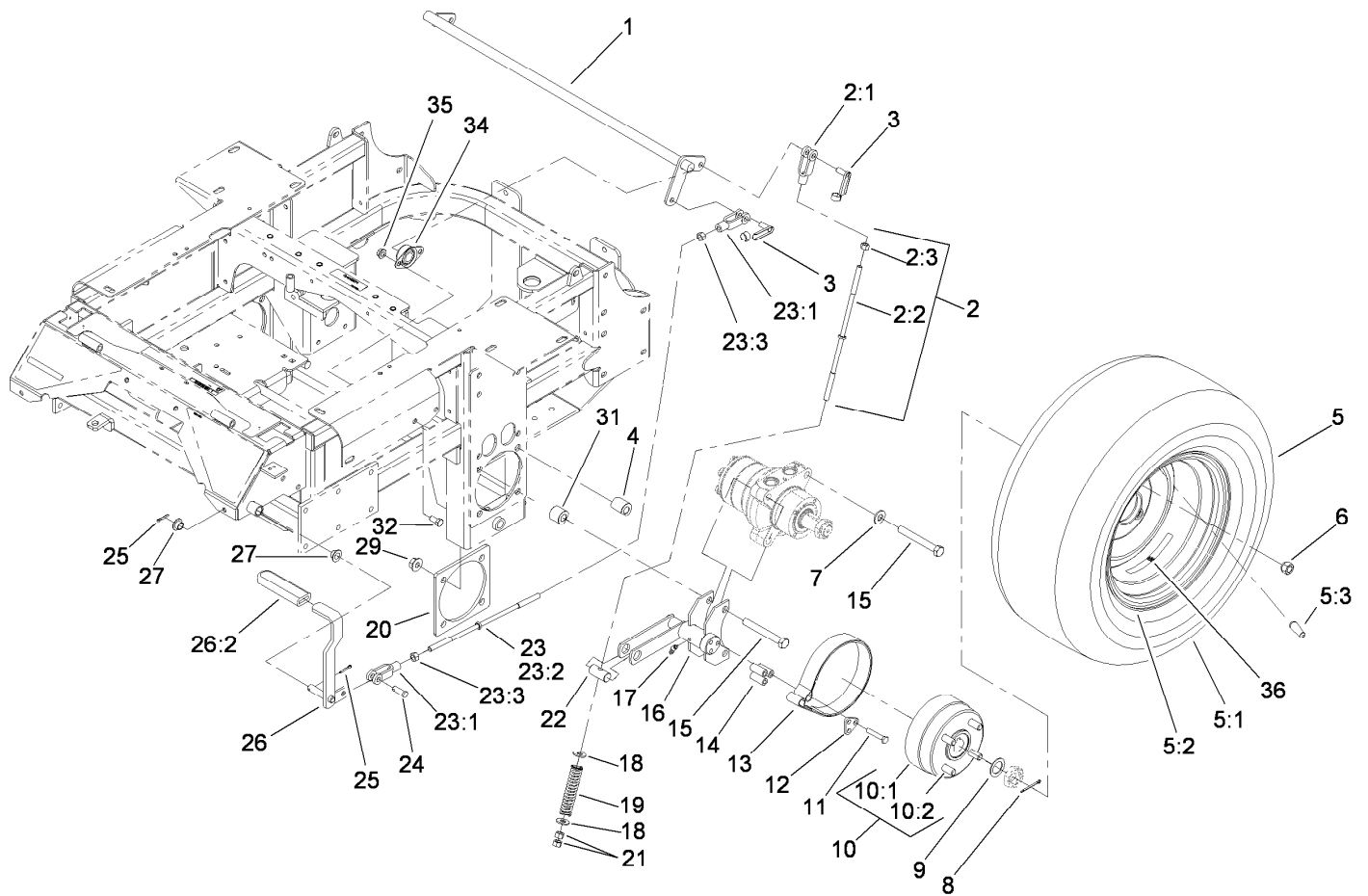


Roll-Over Protection System Assembly No. 110-0877

Ref.	Part Number	Qty.	Description	Ref.	Part Number	Qty.	Description
1		1	Upper Tube ASM ■	12	107-3058	1	Catch-Latch, Seat
1:2	107-2101	1	Decal-ROPS	13	322-3	2	Screw-HH
1:3	107-2102	1	Decal-Warning, Folding	14	110-0883	1	Retractable Seatbelt Kit
2	32128-23	2	Nut-HF	14:2	3212-4	2	Screw-HH
4	3296-73	2	Nut-Lock, NI	14:3	3296-7	2	Nut-Lock
5	107-3069	1	Decal-Warning, Folding	14:99	109-6226	1	Seat Belt Extension Kit
6	325-13	2	Screw-HH	15	110-0874	1	Seatframe ASM
7	109-2365	2	Bumper-Rubber (W/Stud)	15:2	3296-39	1	Nut-Lock, NI
8		1	Tube-Support, LH ■	15:3	107-0076	1	Spring-Torsion
9		1	Bag-Bolt, ROPS ●	15:4	107-0075	1	Bushing-Latch, Seat
9:3	323-6	8	Screw-HH	15:5	107-3083	1	Latch ASM
9:4	98-5975	8	Washer-Belleville	15:6	3256-24	1	Washer-Flat
9:5	3290-357	8	Nut-HHF, Whiz	15:7	323-20	1	Screw-HH
10		1	Tube-Support, RH ■	15:8	103-4434	1	Grip-Lever
11	3296-29	2	Nut-Lock, NI	15:9	3296-39	2	Nut-Lock, NI
				15:10	323-39	2	Screw-HH
				16	103-4553	2	ROPS Fold Pin ASM

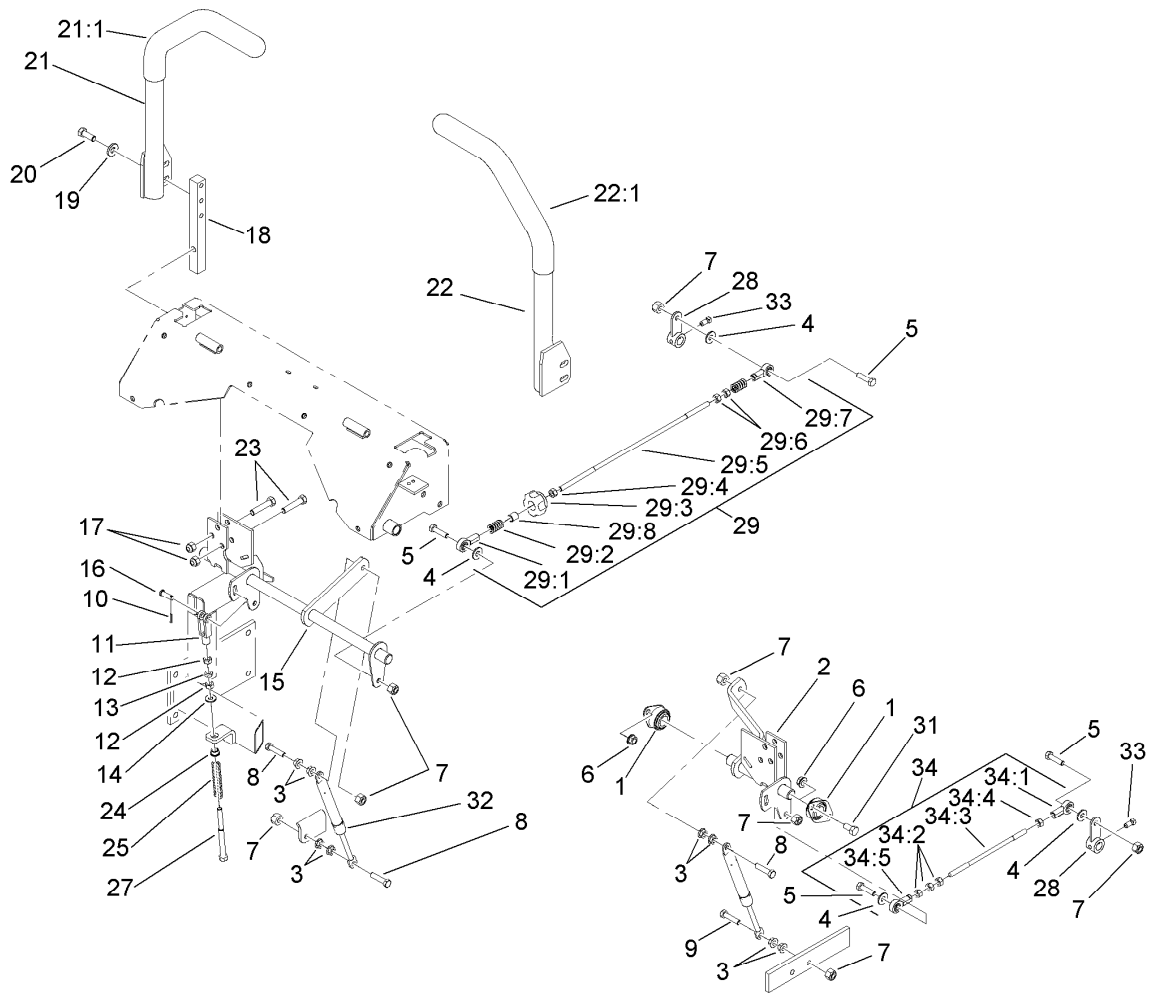
● Not illustrated

■ Not serviced separately



Main Frame and Rear Wheel Assembly

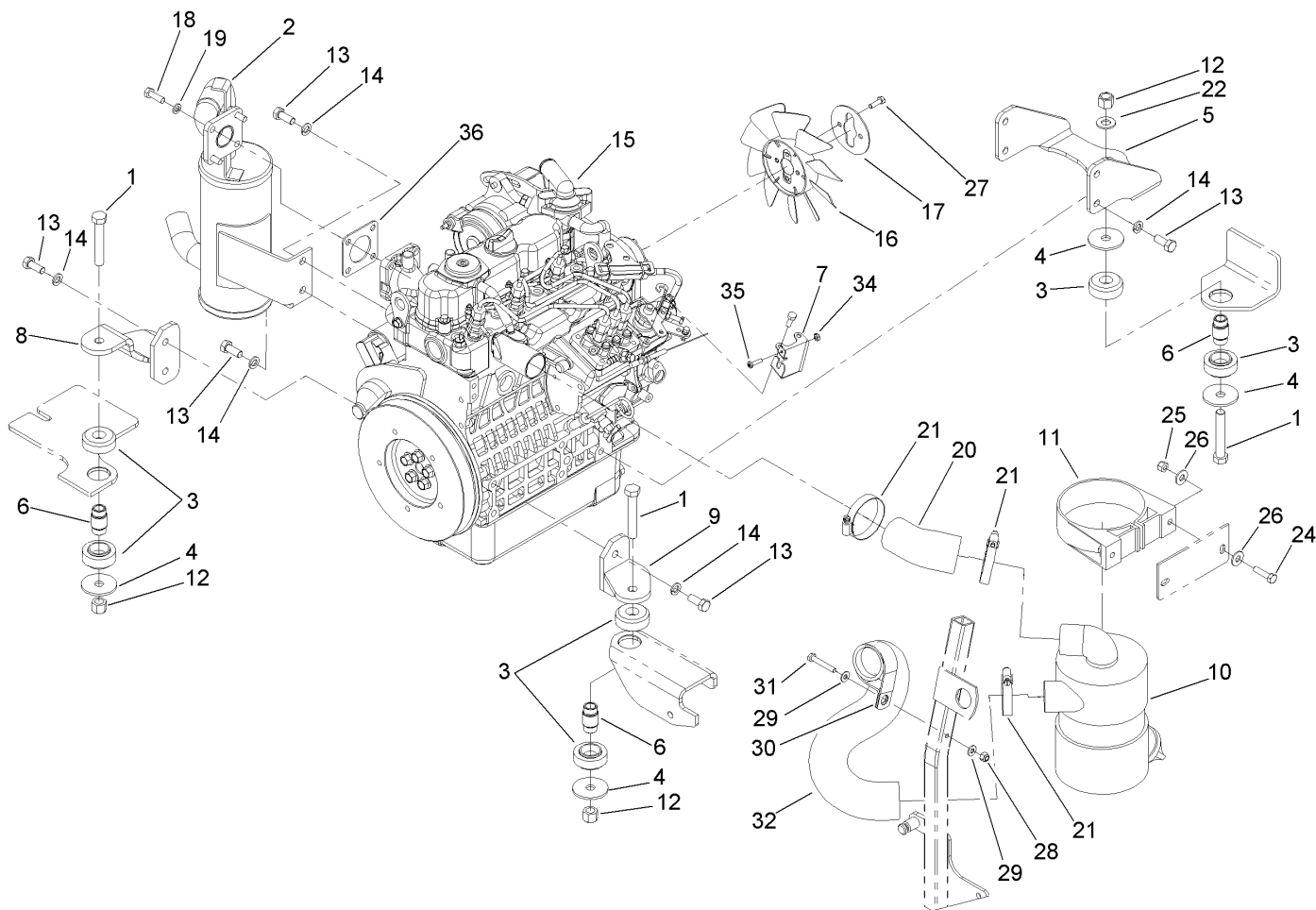
Ref.	Part Number	Qty.	Description	Ref.	Part Number	Qty.	Description
1	1-632217-03	1	Shaft-Brake	16	103-0352-03	2	Bracket-Brake
2	108-5963	2	Brake Rod ASM	17	1481	2	Fitting-Grease
2:1	1-633131	1	Yoke-Linkage, Brake	18	3256-4	4	Washer-Flat
2:2	108-5980	1	Rod-Brake	19	1-633454	2	Spring-Brake
2:3	3219-3	1	Nut-Hex	20	103-3271-03	2	Plate-Reinforcement
3	103-2399	3	Pin-Spring, Clevis	21	3219-3	4	Nut-Hex
4	114-1185	4	Spacer-Wheel, Long	22	1-633144	2	Pin-Trunion
5	1-653010	2	Wheel And Tire ASM	23	108-5962	1	Brake Rod ASM
5:1	1-653160	1	Tire	23:1	1-633131	2	Yoke-Linkage, Brake
5:2	1-653158	1	Wheel	23:2	1-633477	1	Rod-Brake
5:3	232-27	1	Stem-Valve	23:3	3219-3	2	Nut-Hex
6	242-50	8	Nut-Lug	24	1-808285	1	Pin-Clevis
7	87-7270	4	Washer-Thrust	25	3272-10	2	Pin-Cotter
8	1-806800	2	Pin-Cotter	26	1-634500	1	Brake Lever ASM
9	1-523157	2	Washer-Spacer	26:2	1-633268	1	Grip-Lever
10	103-0590	2	Hub And Wheel ASM	27	1-513140	2	Bearing-Control
10:1	103-0589	1	Wheel Hub ASM	29	32128-49	8	Nut-HHF
10:2	1-633926	4	Stud-Wheel	31	114-1184	4	Spacer-Wheel, Short
11	322-9	6	Screw-HH	32	323-4	4	Screw-HH
12	103-0374	2	Retainer-Band, Brake	34	1-633102	2	Bearing-Flange, Side
13	103-0355	2	Band-Brake	35	3290-357	4	Nut-HHF, Whiz
14	103-0384	6	Spacer	36	109-7949	2	Decal
15	325-18	8	Screw-HH				



Hydro Control Assembly

Ref.	Part Number	Qty.	Description
1	1-633102	4	Bearing-Flange, Side
2	107-3480	1	LH Motion Control ASM
3	32128-20	10	Nut-HF
4	3256-3	4	Washer-Flat
5	322-6	4	Screw-HH
6	3290-357	6	Nut-HHF, Whiz
7	3296-29	8	Nut-Lock, NI
8	1-403180	3	Screw-HH
9	322-41	1	Screw-HH
10	3272-5	2	Pin-Cotter
11	1-303105	2	Yoke-Adjustable
12	3219-2	4	Nut-Hex
13	3220-2	2	Nut-Jam
14	3256-2	2	Washer-Flat
15	107-3481	1	RH Motion Control ASM
16	1-808280	2	Pin-Clevis
17	3296-39	6	Nut-Lock, NI
18	103-0407	2	Arm-Shaft, Control
19	98-5975	4	Washer-Belleville
20	323-6	4	Screw-HH
21	108-7237	1	RH Lever ASM
21:1	106-9987	1	Grip-Control, Motion
22	108-7238	1	LH Lever ASM
22:1	106-9987	1	Grip-Control, Motion

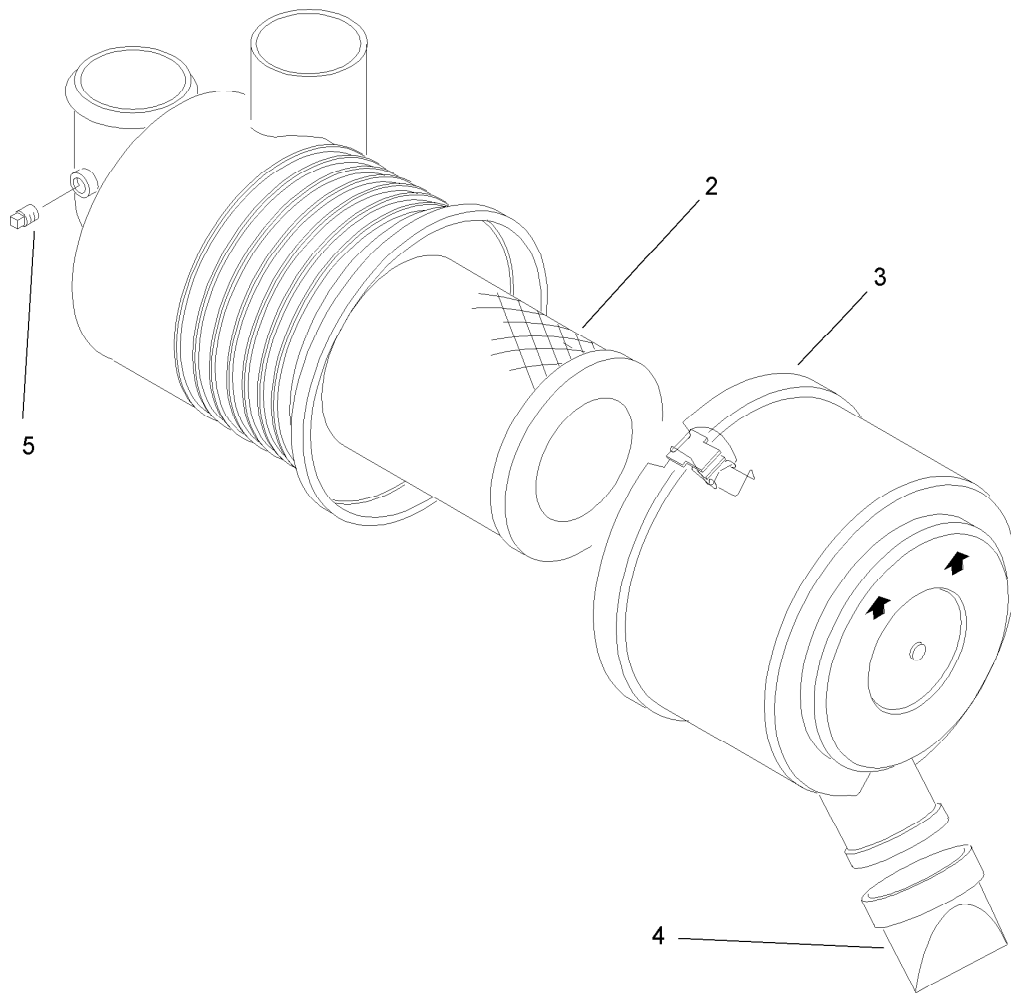
Ref.	Part Number	Qty.	Description
23	323-9	6	Screw-HH
24	1-603735	2	Bushing-Flanged
25	1-603807	2	Spring-Return, Neutral
27	1-603737	2	Bolt-Return, Neutral
28	107-3470-03	2	Hydraulic Control Arm ASM
29	107-3474	1	RH Control Rod ASM
29:1	1-543017	1	Balljoint-RH
29:2	1-323245	2	Spring-Compression
29:3	103-3060	1	Knob-Tracking
29:4	3219-2	1	Nut-Hex
29:5	107-3472	1	Rod-Control, RH
29:6	1-804524	2	Nut
29:7	1-633152	1	Balljoint-LH
29:8	103-1166	1	Spacer-Tube, Pump Link
31	323-4	6	Screw-HH
32	109-2339	2	Damper-Control, Motion
33	1-803022	2	Screw-Set
34	107-3475	1	LH Control Rod ASM
34:1	1-543017	1	Balljoint-RH
34:2	3219-2	3	Nut-Hex
34:3	107-3473	1	Rod-Control, LH
34:4	1-804524	1	Nut
34:5	1-633152	1	Balljoint-LH



Engine, Exhaust and Air Intake Assembly

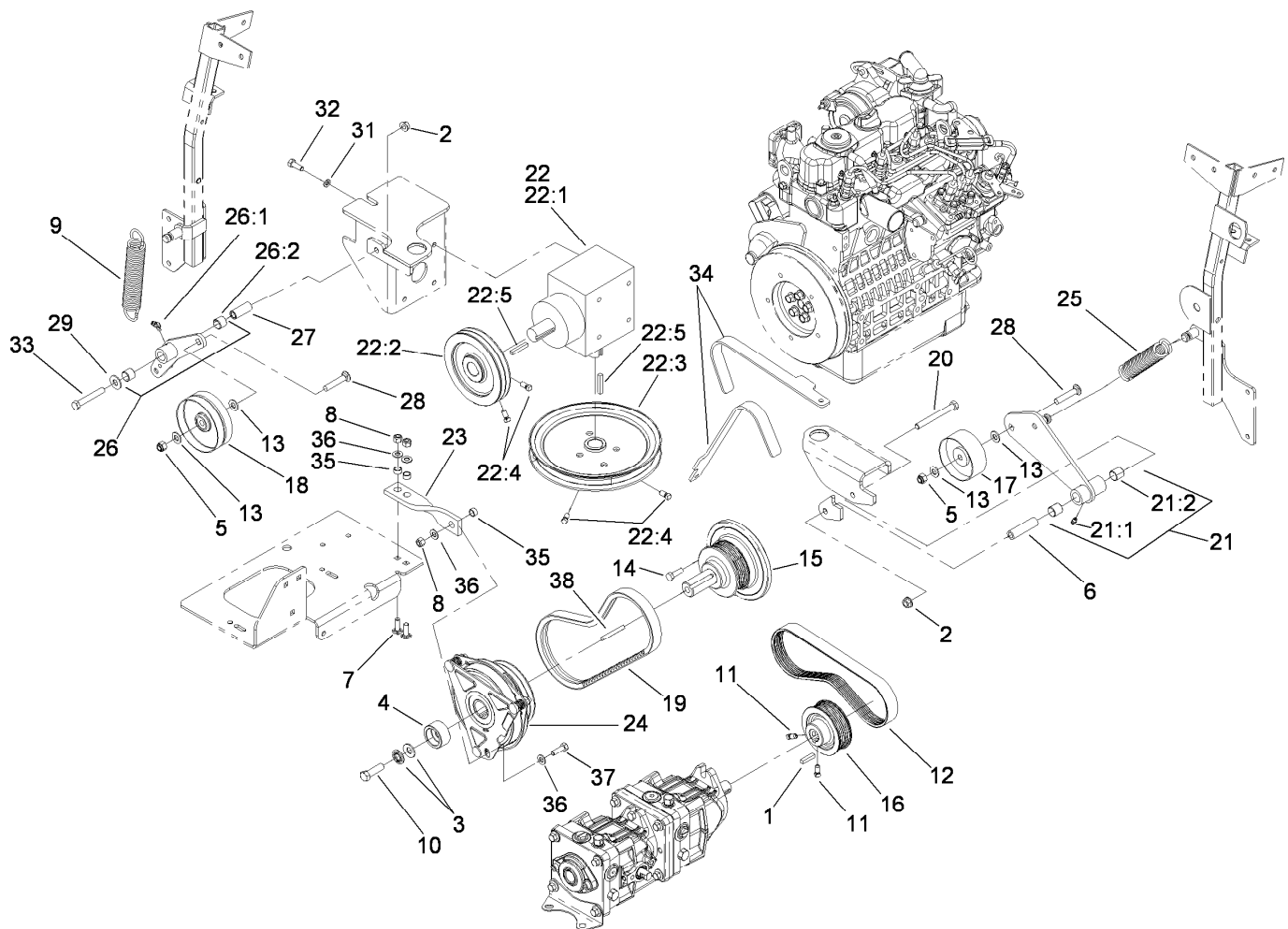
Ref.	Part Number	Qty.	Description
1	325-12	3	Screw-HH
2	107-9909	1	Muffer
3	107-9914	3	Mount-Isolation
4	55-7960	4	Washer-Large
5	107-9917-03	1	Bracket-Engine Mount, Rear
6	110-0300	3	Spacer
7	108-5922	1	Bracket-Support, Throttle
8	107-9920-03	1	RH Engine Support ASM
9	107-9930-03	1	LH Engine Support ASM
10	93-2190	1	Air Cleaner ASM
11	95-5806	1	Bracket-Mounting
12	3296-23	3	Nut-Lock, NI
13	43-0090	10	Screw-HH
14	42-9600	10	Washer-Lock, Spring
15	107-9911	1	Engine-Kubota
16	110-0814	1	Fan
17	110-0816	1	Plate-Retainer, Fan

Ref.	Part Number	Qty.	Description
18	33114-025	4	Screw-HH
19	3253-4	4	Washer-Lock
20	108-5371	1	Hose-Intake, Air Cleaner
21	1-643009	3	Clamp-Hose
22	3256-26	1	Washer-Flat
24	322-6	2	Screw-HH
25	3296-29	2	Nut-Lock, NI
26	3256-23	4	Washer-Flat
27	33113-020	2	Screw-HH
28	3296-42	1	Nut-Lock, NI
29	3256-22	2	Washer-Flat
30	1-643241	1	Clip-Loom
31	321-10	1	Screw-HH
32	108-5370	1	Hose-Intake, Engine
34	3217-26	1	Nut-Hex
35	110-0863	1	Screw-Torx
36	99-8343	1	Gasket-Muffer



Air Cleaner Assembly No. 93-2190

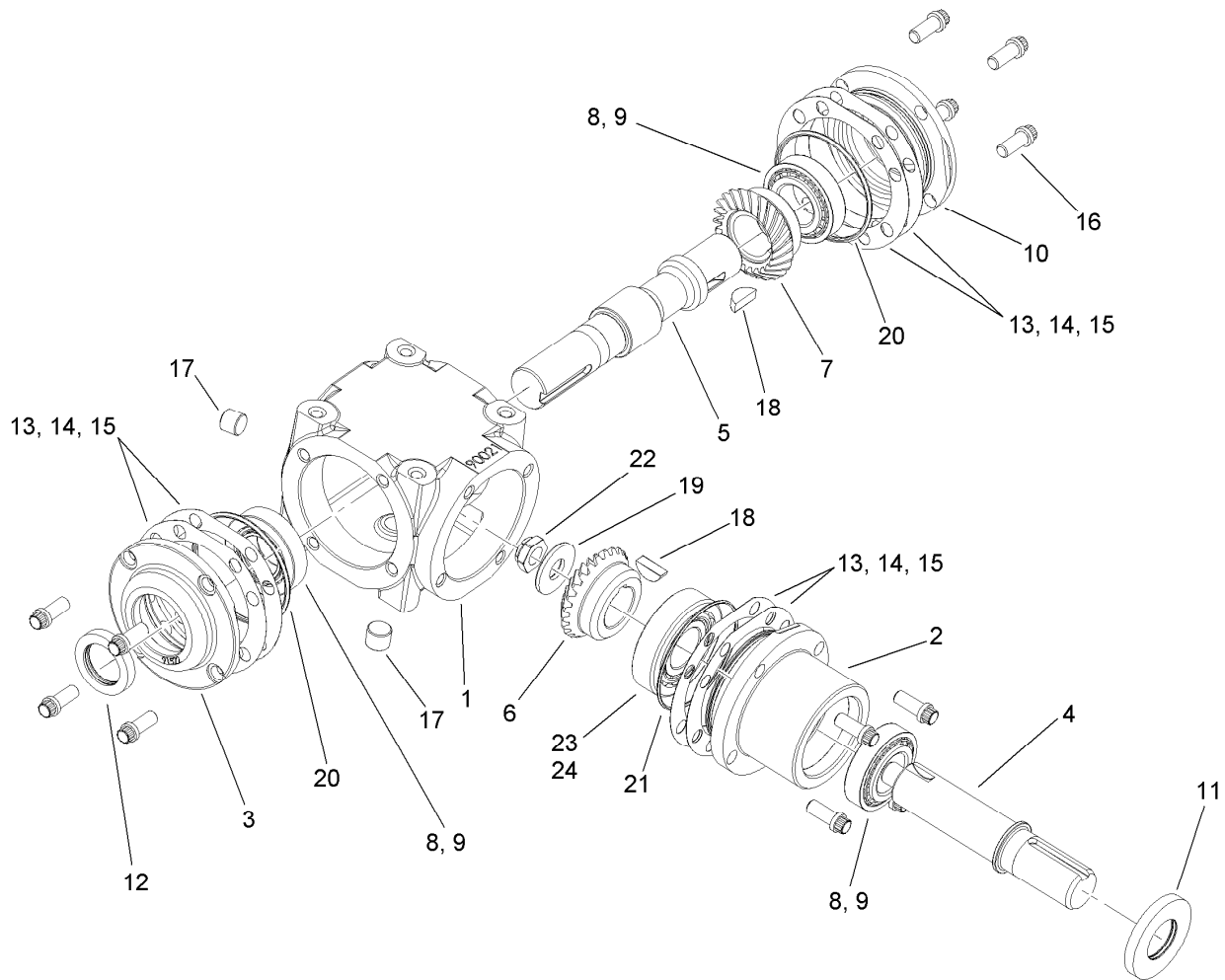
<i>Ref.</i>	<i>Part Number</i>	<i>Qty.</i>	<i>Description</i>
2	108-3811	1	Filter-Air
3	94-3652	1	Cover ASM
4	87-9400	1	Valve-Vacuator
5	285-17	1	Plug-Pipe



Hydro and Gearbox Assembly

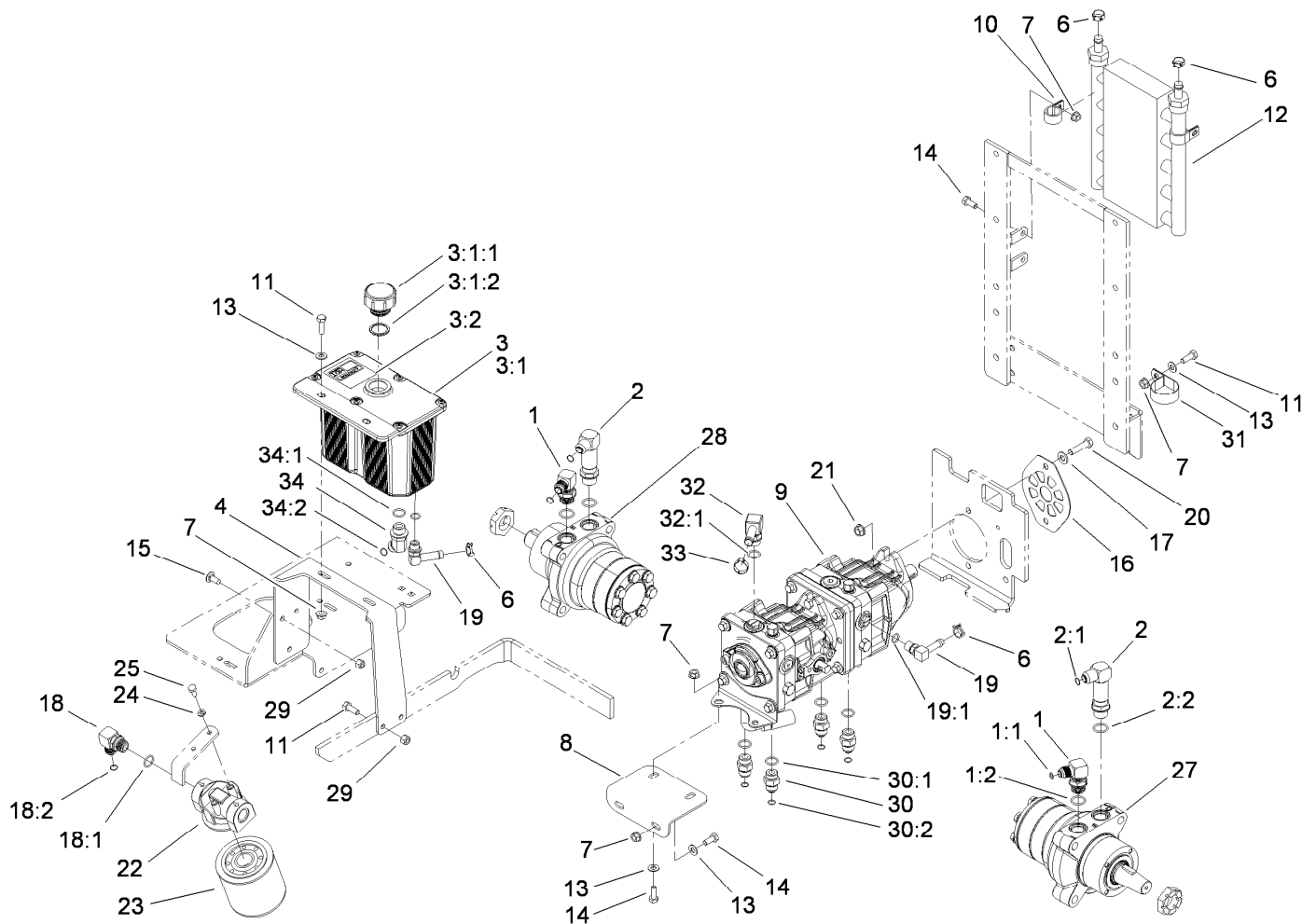
Ref.	Part Number	Qty.	Description	Ref.	Part Number	Qty.	Description
1	5-0698	1	Key	22:1	107-9887	1	Gearbox-90 DEG
2	3290-357	2	Nut-HHF, Whiz	22:2	108-5912	1	Pulley
3	1-603610	2	Washer-Spring	22:3	110-0893	1	Pulley
4	114-8152	1	Retainer-Clutch	22:4	1-803022	4	Screw-Set
5	3296-39	2	Nut-Lock, NI	22:5	67-7490	2	Key-Square
6	1-603384	1	Bushing-Pivot, Idler	23	112-1781	1	Strap-Stop, Clutch
7	3230-22	2	Screw-CARR	24	112-2320	1	Clutch-Magnetic
8	3296-29	3	Nut-Lock, NI	25	108-5985	1	Spring-Extension
9	110-0818	1	Spring-Extension	26	112-2354	1	Gearbox Idler ASM (W/Bearings)
10	3212-6	1	Screw-HH	26:1	1481	1	Fitting-Grease
11	1-803022	2	Screw-Set	26:2	103-4681	2	Sleeve-Bearing
12	107-9910	1	Belt-V	27	1-603044	1	Bushing
13	3256-24	5	Washer-Flat	28	3231-6	2	Screw-CARR
14	33114-025	5	Screw-HH	29	3256-4	1	Washer-Flat
15	112-2335	1	Stub Shaft	31	3253-4	4	Washer-Lock
16	108-5976	1	Pulley	32	322-4	4	Screw-HH
17	108-5910	1	Pulley-Flat	33	323-12	1	Screw-HH
18	110-0803	1	Pulley-Flat	34	110-0876	1	Tool-Alignment, Pulley
19	110-0805	1	Belt-V	35	65-9820	3	Spacer
20	323-15	1	Screw-HH	36	3256-23	4	Washer-Flat
21	108-5939	1	Pump Idler Arm ASM	37	322-5	1	Screw-HH
21:1	302-5	1	Fitting-Grease	38	5-1336	1	Key-Square
21:2	1-513034	2	Sleeve-Bearing				
22		1	Gearbox ASM ●				

● Not serviced separately



Gearbox Assembly No. 107-9887

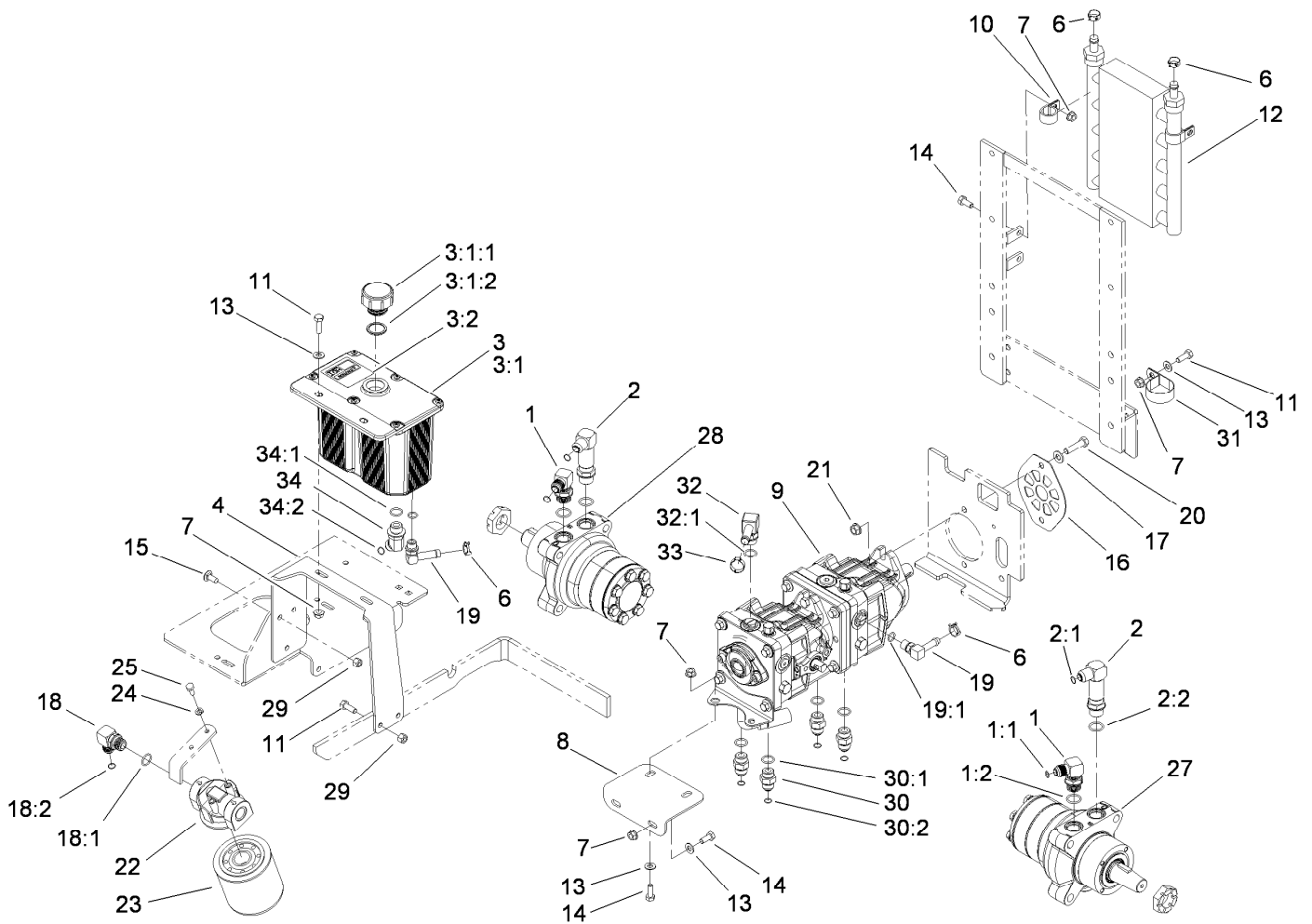
Ref.	Part Number	Qty.	Description
1	110-0843	1	Case
2	110-0853	1	Housing-Pinion
3	100-4566	1	Cap-End, Open
4	110-0844	1	Shaft-Pinion
5	110-0845	1	Shaft-Cross
6	110-0847	1	Gear-Shaft, Cross
7	110-0846	1	Gear-Pinion
8	110-0848	3	Bearing-Cup
9	110-0849	3	Bearing-Cone
10	100-4574	1	Cap-End, Closed
11	100-4575	1	Seal
12	110-0850	1	Seal-Shaft, Cross
13	100-4591	1	Shim-Brown, .010In
14	100-4592	1	Shim-Blue, .005In
15	100-4593	1	Shim-Green, .003In
16	100-4578	12	Screw
17	100-4579	2	Plug
18	3257-33	2	Key-Woodruff
19	100-4581	1	Washer
20	100-4582	2	O-Ring
21	110-0851	1	O-Ring
22	110-0852	1	Nut Lock
23	100-5817	1	Bearing-Cup
24	100-5816	1	Bearing-Cone



Hydraulic Tank, Pump and Motor Assembly

Ref.	Part Number	Qty.	Description	Ref.	Part Number	Qty.	Description
1	1-633605	2	Fitting-HYD, 90 DEG	13	3256-23	7	Washer-Flat
1:1	1-603992	1	O-Ring	14	322-3	8	Screw-HH
1:2	237-80	1	O-Ring	15	3230-23	3	Screw-CARR
2	108-5323	2	Fitting-Elbow-90	16	108-5367-03	1	Plate-Shield, Pump
2:1	1-603992	1	O-Ring	17	3256-24	2	Washer-Flat
2:2	237-80	1	O-Ring	18	103-2153	1	Fitting-90 DEG
3	108-5320	1	Hydraulic Tank ASM	18:1	1-603920	1	O-Ring
3:1		1	Tank-Hydraulic ●	18:2	1-603992	1	O-Ring
3:1:1	103-1948	1	Cap-Reservoir, HYD	19	109-6449	2	Fitting-Elbow, 90
3:1:2	103-1949	1	Gasket-Cap	19:1	1-603921	1	O-Ring
3:2	107-2131	1	Decal-Surface, Hot (Ce)	20	323-8	2	Screw-HH
4	108-5352-03	1	Bracket-Tank, Hydraulic	21	3290-357	2	Nut-HHF, Whiz
6	110-6242	4	Clamp-Hose	22	86-9080	1	Head-Filter
7	32128-20	11	Nut-HF	23	67-8110	1	Cartridge-Filter, Oil
8	107-3462-03	1	Bracket-Pump, Front	24	1-805004	2	Washer-Lock
9	107-9885	1	Tandem Pump ASM	25	321-3	2	Screw-HH
10	110-0824	4	R-Clamp	27	112-8357	1	Motor-Wheel, CCW S2
11	322-5	4	Screw-HH	28	112-8358	1	Motor-Wheel, CW S2
12	114-8168	1	Cooler-Oil, Hydro	29	3296-29	4	Nut-Lock, NI

● Not serviced separately

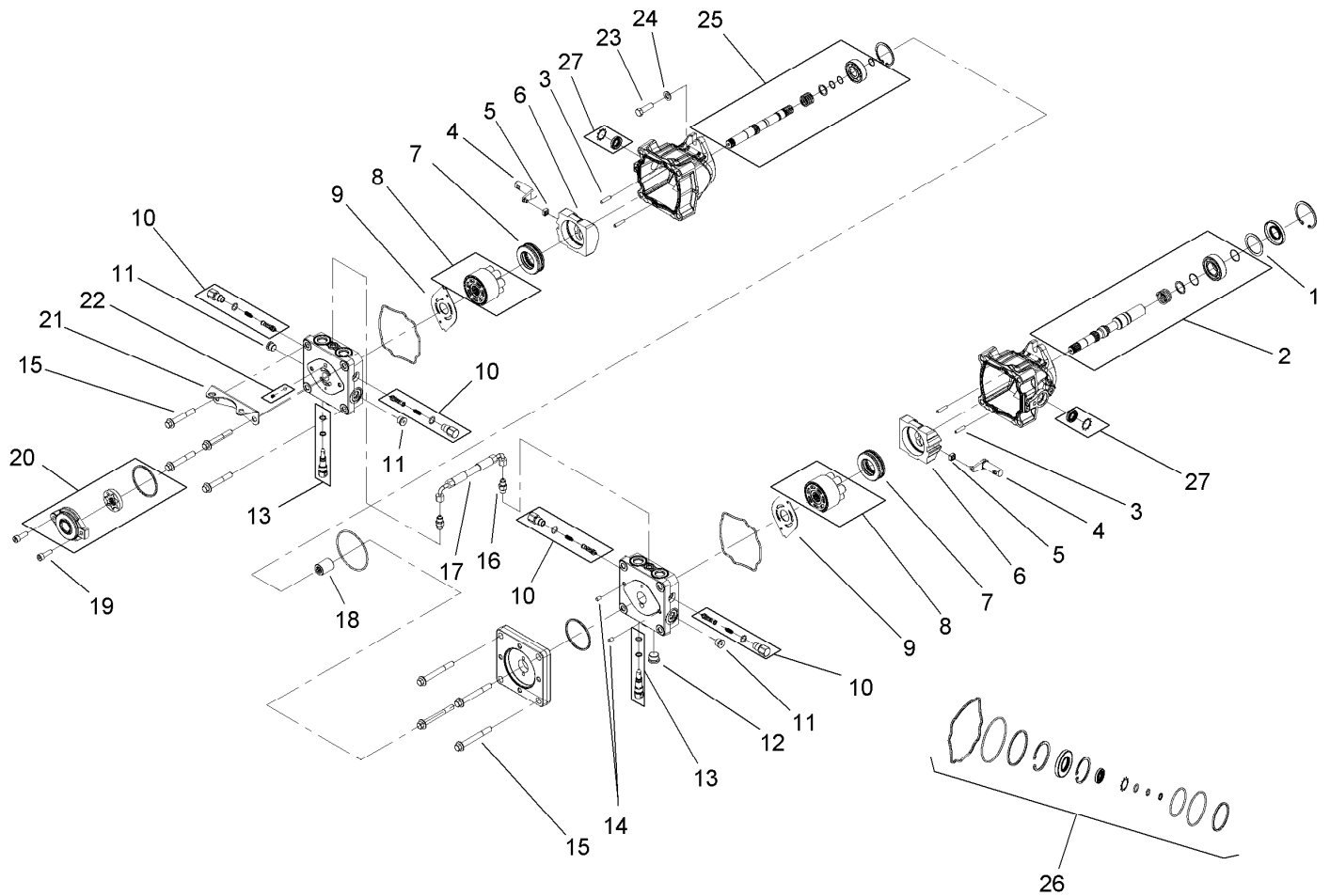


Hydraulic Tank, Pump and Motor Assembly (continued)

Ref.	Part Number	Qty.	Description
30	1-603990	4	Fitting-Straight
30:1	1-603920	1	O-Ring
30:2	1-603992	1	O-Ring
31	2412-147	1	Clamp
32	108-5316	1	Fitting-Elbow, 90 DEG

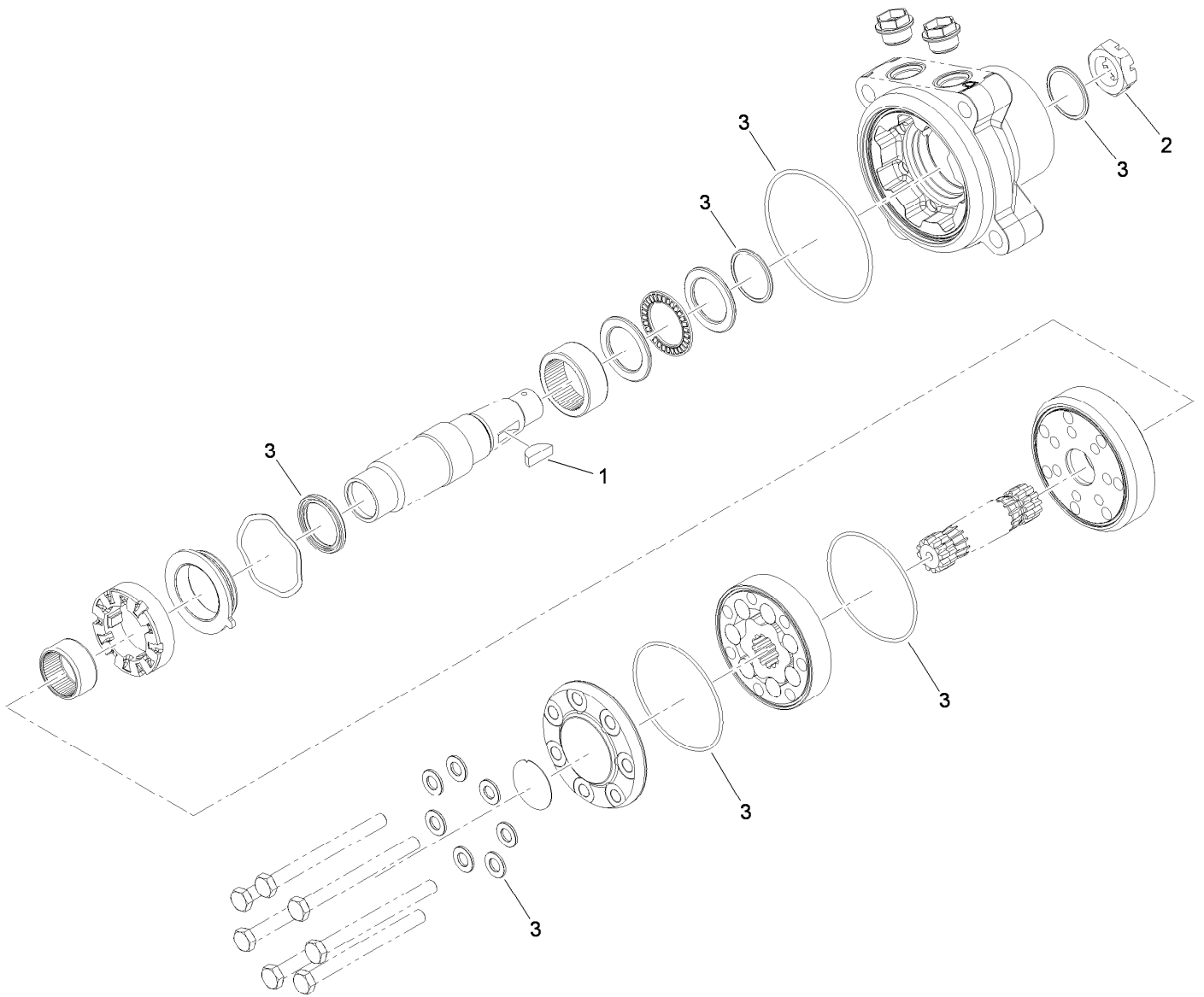
Ref.	Part Number	Qty.	Description
32:1	237-79	1	O-Ring
33	103-2104	1	Clamp-Hose
34	1-523221	1	Fitting-HYD, 45 DEG
34:1	1-603920	1	O-Ring
34:2	1-603992	1	O-Ring

● Not serviced separately



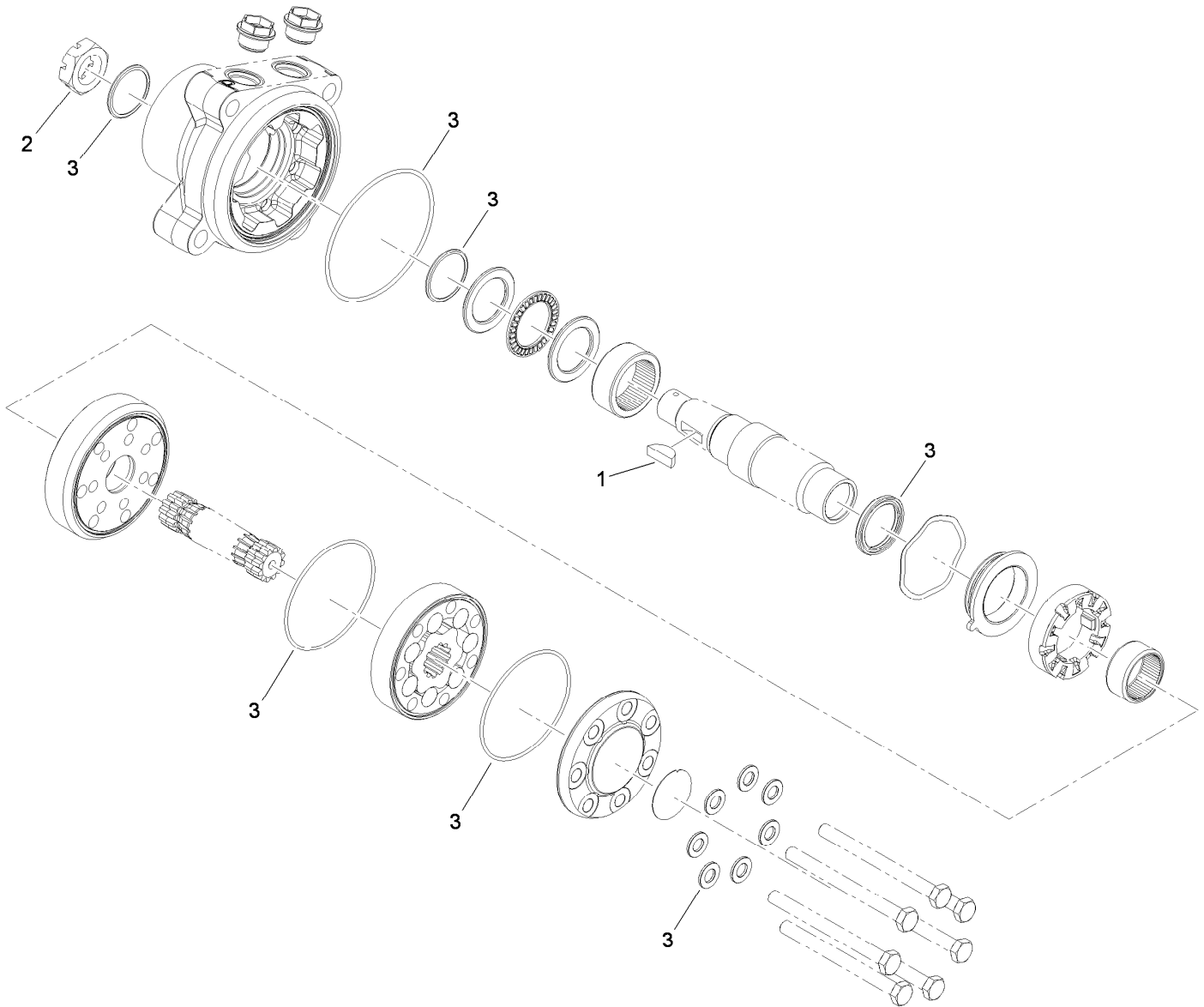
Tandem Pump Assembly No. 107-9885

<i>Ref.</i>	<i>Part Number</i>	<i>Qty.</i>	<i>Description</i>	<i>Ref.</i>	<i>Part Number</i>	<i>Qty.</i>	<i>Description</i>
1	112-4168	1	Spacer	15	112-4157	8	Bolt
2	112-4151	1	Input Pump Shaft Kit	16	112-4158	2	Fitting-Straight
3	106-8753	4	Pin-Headless, Straight	17	112-4159	1	Hose ASM
4	112-4152	2	Arm-Trunnion	18	112-4160	1	Coupling
5	94-1910	2	Guide-Slot	19	112-4161	2	Bolt
6	112-4153	2	Swashplate	20	112-4162	1	Charge Pump Kit
7	112-4154	2	Bearing-Thrust	21	112-4163	1	Bracket-Support, Pump
8	108-2112	2	Cylinder Block Kit	22	112-4164	1	Charge Relief Kit
9	108-6801	2	Plate-Valve	23	112-4165	2	Bolt-HSH
10	112-4155	4	Shock Valve Kit	24	112-4166	2	Washer
11	104-2189	3	Plug-Thread, Straight	25	112-4167	1	Second Pump Shaft Kit
12	112-4156	1	Plug-Steel	26	112-4150	1	Overhaul Seal Kit
13	106-8759	2	Bypass Valve Kit	27	114-8155	1	Trunnion Seal Kit
14	104-2170	2	Pin				



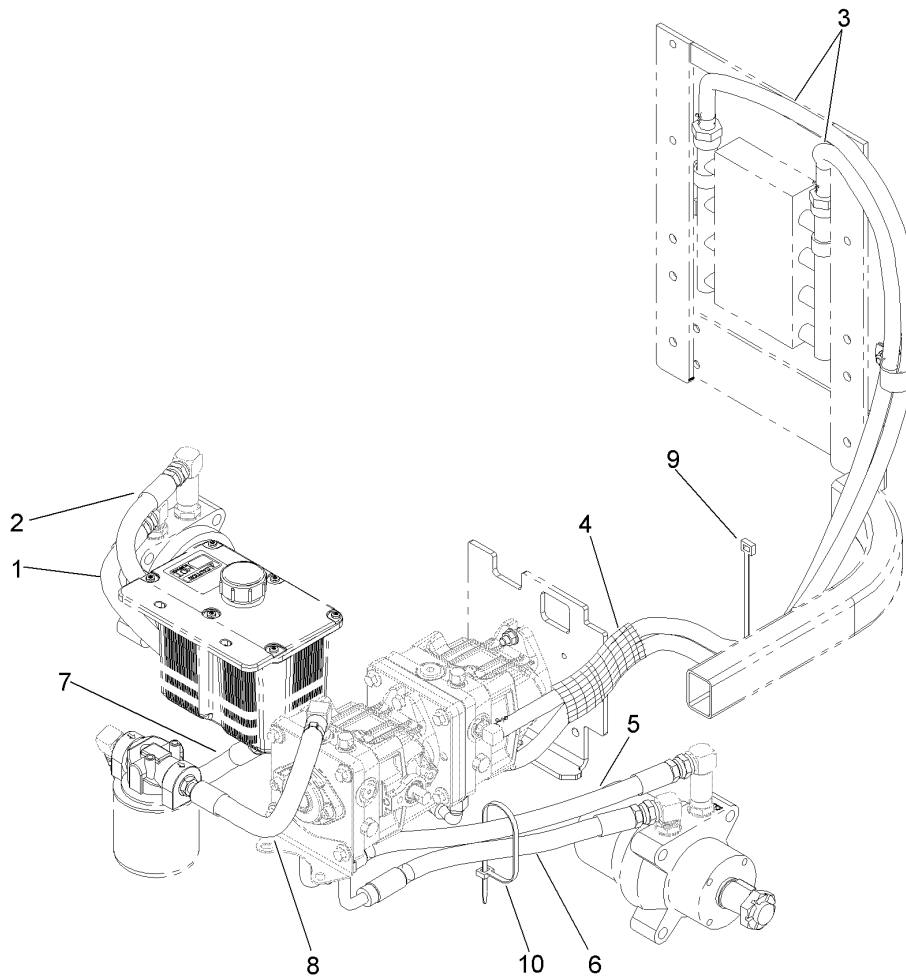
Hydraulic Motor Assembly No. 112-8357 (CCW)

<i>Ref.</i>	<i>Part Number</i>	<i>Qty.</i>	<i>Description</i>
1	3257-42	1	Key-Woodruff
2	1-809036	1	Nut-HH
3	109-5966	1	Wheel Motor Seal Kit



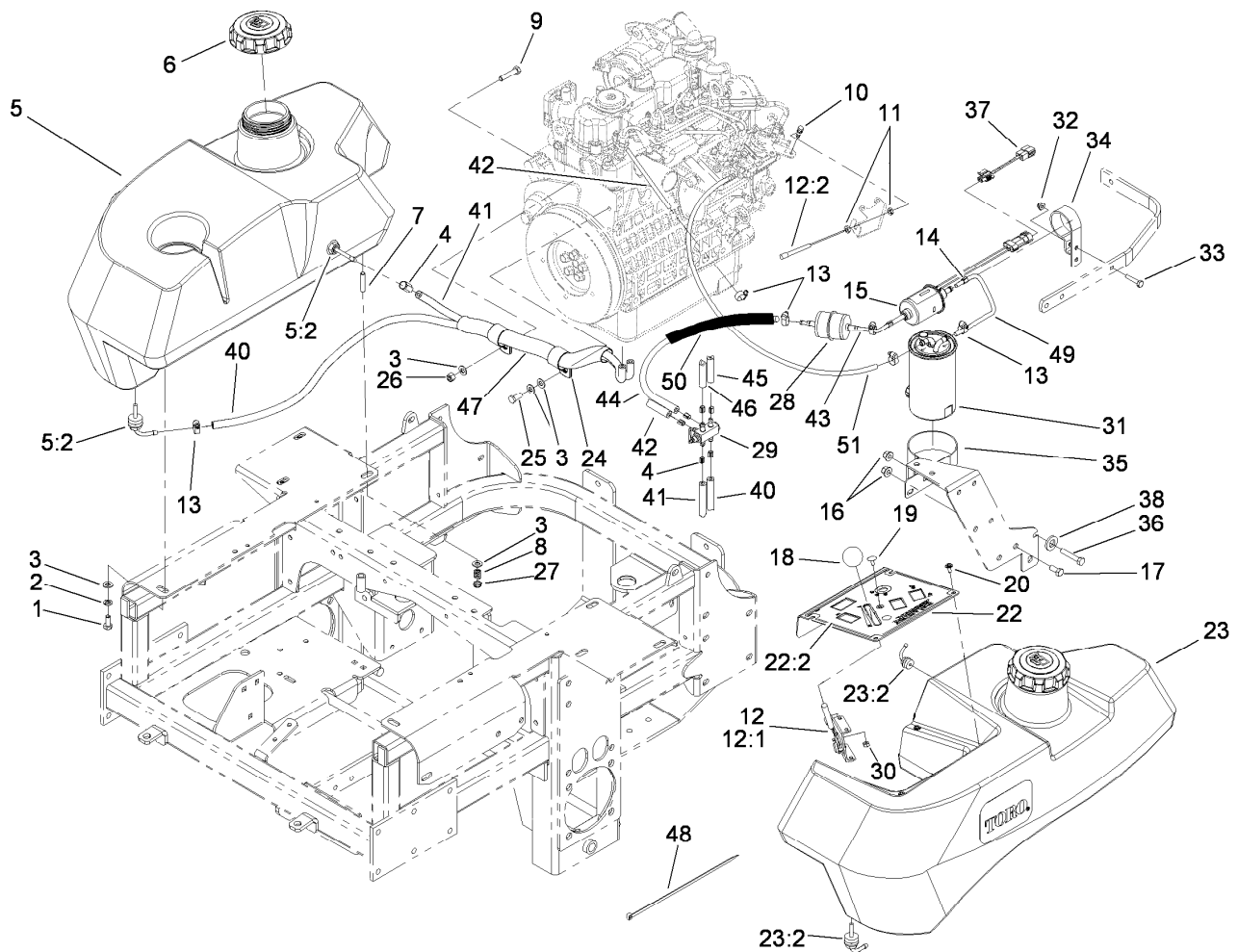
Hydraulic Motor Assembly No. 112-8358 (CW)

<i>Ref.</i>	<i>Part Number</i>	<i>Qty.</i>	<i>Description</i>
1	3257-42	1	Key-Woodruff
2	1-809036	1	Nut-HH
3	109-5966	1	Wheel Motor Seal Kit



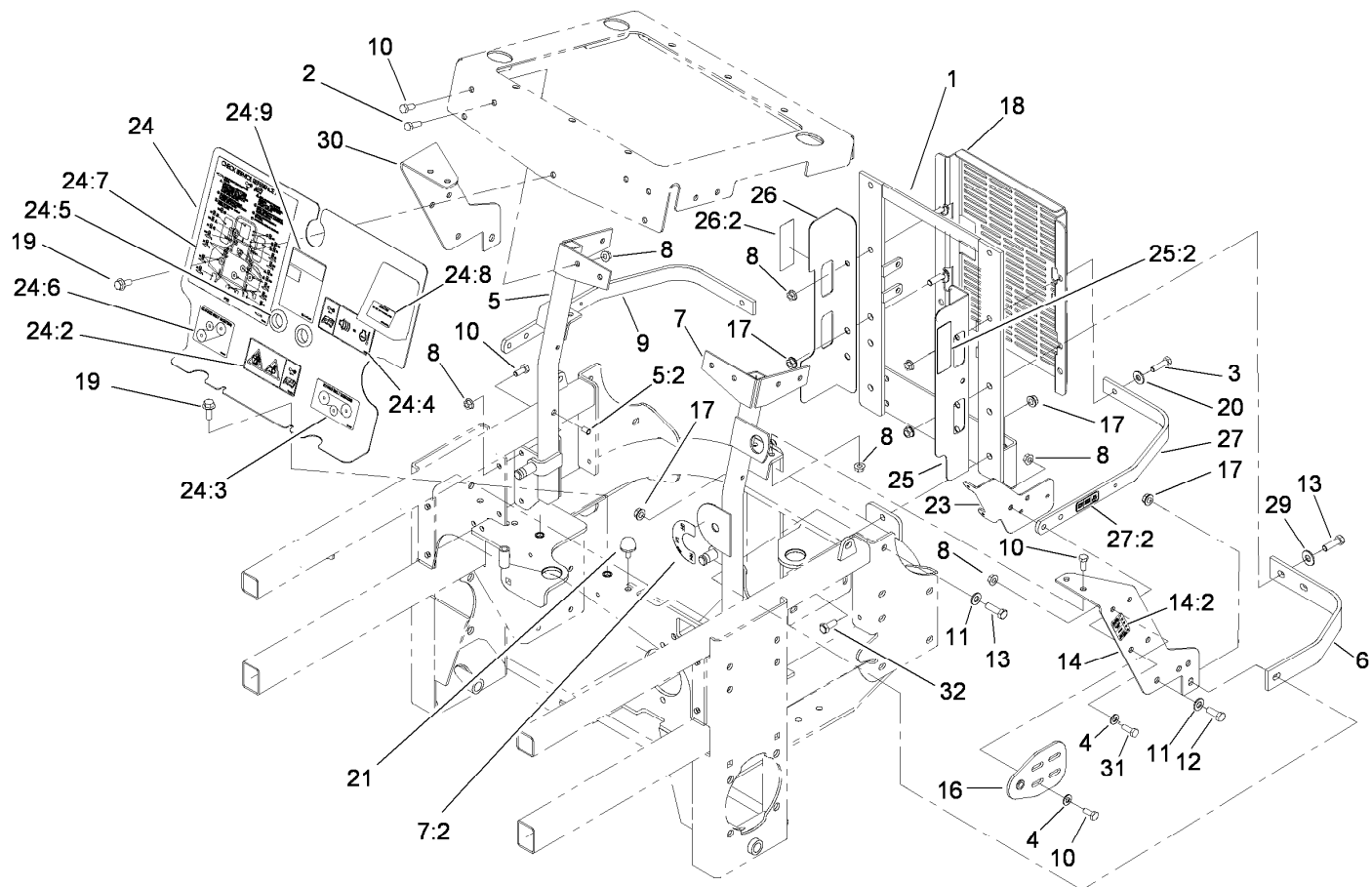
Hydraulic Hose System Assembly

<i>Ref.</i>	<i>Part Number</i>	<i>Qty.</i>	<i>Description</i>
1	107-3495	1	Hydraulic Hose ASM
2	107-3490	1	Hydraulic Hose ASM
3	114-8169	2	Hose-Hydraulic
4	114-8201	1	Sleeve-Fabric
5	108-5318	1	Hydraulic Hose ASM
6	107-3491	1	Hydraulic Hose ASM
7	110-3854	1	Hydraulic Hose ASM
8	108-5374	1	Hydraulic Hose ASM
9	1-303335	1	Tie-Plastic
10	1-809066	1	Tie-Plastic



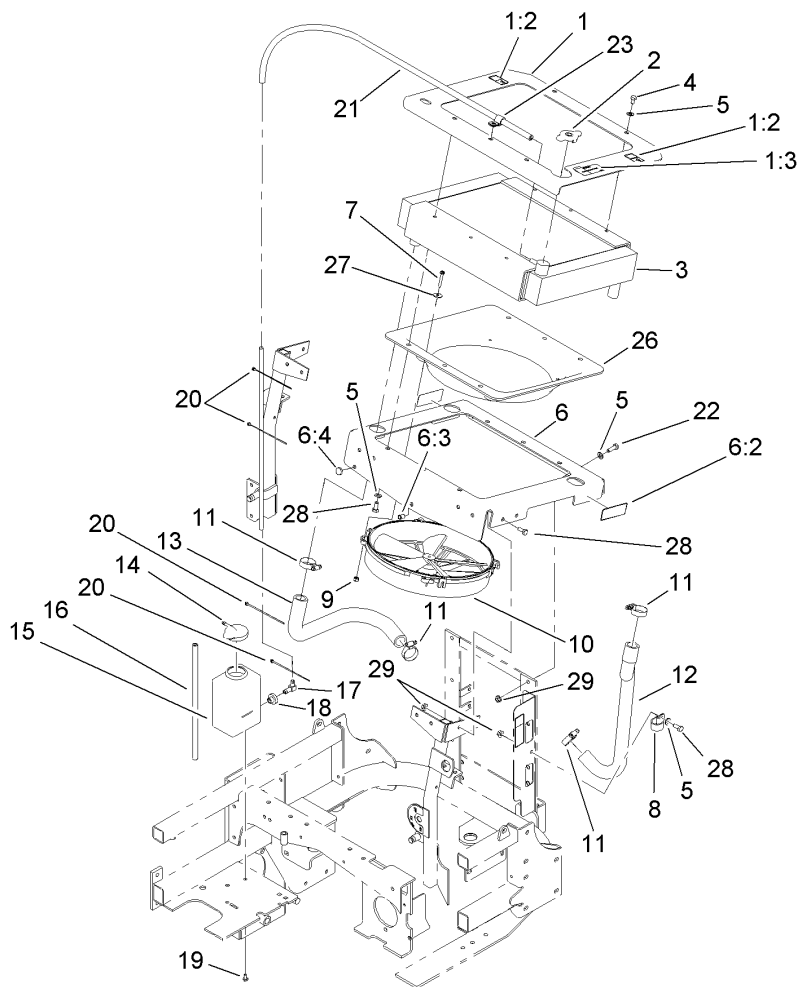
Fuel System and Throttle Control Assembly

Ref.	Part Number	Qty.	Description	Ref.	Part Number	Qty.	Description
1	322-3	2	Screw-HH	24	1-643312	2	Clip-Loom
2	1-805005	2	Washer-Lock	25	33114-020	1	Screw-HH
3	3256-23	11	Washer-Flat	26	3296-29	1	Nut-Lock, NI
4	1-643293	8	Clamp-Hose, Fuel	27	3296-47	6	Nut-Lock, NI
5	114-8221	1	RH Fuel Tank ASM	28	112-7836	1	Filter-Inline
5:2	103-2615	2	Fitting-Fuel, Bulkhead	29	1-643234	1	Valve-Fuel, Dual Flow
6	110-0897	2	Cap-Fuel, Diesel	30	3296-2	2	Nut-Lock, NI
7	1-633023	6	Stud	31	112-9188	1	Element-Filter, Fuel/Water
8	1-633349	6	Spring-Tank, Fuel	32	104-7201	1	Nut-HF
9	322-7	1	Screw-HH	33	321-8	1	Screw-HH
10	108-5928	1	Swivel-Stop, Cable	34	110-8817	1	Bracket-Pump, Fuel
11	3220-1	2	Nut-Jam	35	110-8807	1	Bracket-Filter, Fuel
12	108-5927	1	Cable-Control, Throttle	36	322-9	1	Screw-HH
12:1	112-2333	1	Lever-Throttle Cable	37	110-8808	1	Harness-Wire
12:2	108-6337	1	Cable-Throttle	38	3256-82	1	Washer-Flat
13	2412-108	7	Clamp-Worm	40	108-5376	1	Hose-Fuel
14	1-643277	3	Clamp-Hose, Fuel	41	109-0301	1	Hose-Fuel
15	110-8806	1	Pump-Fuel	42	110-1876	1	Hose-Fuel
16	3296-58	2	Nut-Lock, NI	43	108-3283	1	Hose-Fuel
17	322-3	1	Screw-HH	44	109-0303	1	Hose-Fuel
18	1-603175	1	Knob-Ball	45	109-0275	1	Hose-Fuel
19	1-807513	2	Bolt-CARR	46	109-0297	1	Hose-Fuel
20	109-2661	4	Screw-PPH	47	108-5377	1	Sleeve-Fabric
22	112-2388	1	Control Panel ASM	48	1-303335	1	Tie-Plastic
22:2	112-2389	1	Decal-Panel, Control	49	110-4124	1	Hose-Fuel
23	114-8222	1	LH Fuel Tank ASM	50	114-8224	1	Conduit-Fuel Line
23:2	103-2615	2	Fitting-Fuel, Bulkhead	51	110-4105	1	Hose-Fuel



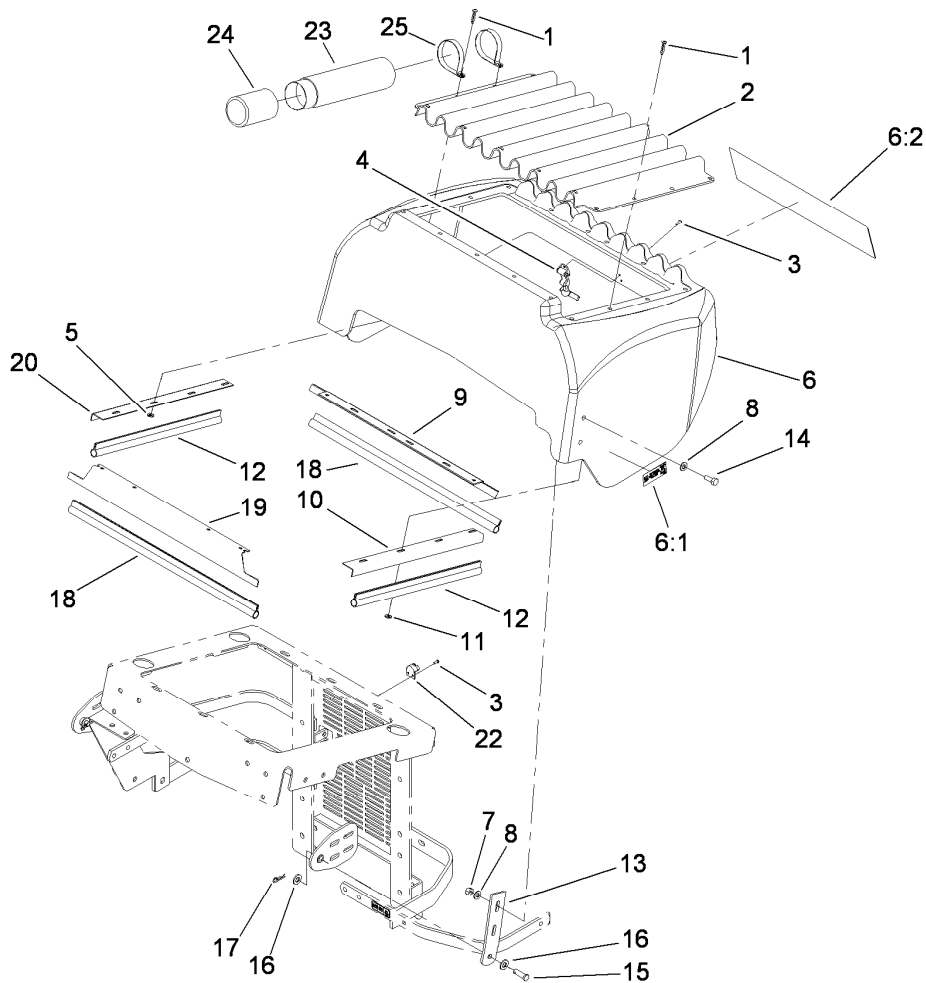
Engine Housing Assembly

<i>Ref.</i>	<i>Part Number</i>	<i>Qty.</i>	<i>Description</i>	<i>Ref.</i>	<i>Part Number</i>	<i>Qty.</i>	<i>Description</i>
1	107-9934-03	1	Support-Radiator, Rear	23	107-8081-03	1	Bracket-Relay/Fuse
2	322-5	2	Screw-HH	24	108-5936	1	Front Engine Shield ASM
3	322-6	2	Screw-HH	24:2	110-3853	1	Decal-Danger, Rotating Devices
4	3256-23	8	Washer-Flat	24:3	108-5955	1	Decal-Routing, Hydro Belt
5	114-1170	1	RH Radiator Brace ASM	24:4	110-3852	1	Decal- Warning, Buzzer
5:2	32148-11	1	Insert-Threaded	24:5	100-3815	2	Grommet-Rubber
6	103-7623-03	2	Strap-Guard	24:6	108-5957	1	Decal-Routing, Clutch Belt
7	110-3870	1	LH Radiator Brace ASM	24:7	110-3851	1	Decal-Check, Service
7:2	107-2114	1	Decal-Valve, Fuel	24:8	110-0806	1	Decal-Caution
8	32128-20	22	Nut-HF	24:9	104-2449	1	Decal-Coolant
9	114-8223-03	1	Top-Rib	25	110-0879	1	Guard-Fan, LH (Ce)
10	322-3	14	Screw-HH	25:2	107-7719	1	Decal-Danger, Rotating Devices
11	3256-24	3	Washer-Flat	26	110-0888	1	Guard-Fan, RH (Ce)
12	323-6	1	Screw-HH	26:2	107-7719	1	Decal-Danger, Rotating Devices
13	323-7	4	Screw-HH	27	110-0890	1	Strap-Top
14	112-8318	1	LH Support Bracket ASM	27:2	110-0305	1	Decal-Relay
14:2	112-8319	1	Decal-Fuses	29	3256-4	2	Washer-Flat
16	108-5345-03	2	Hood Pivot Plate ASM	30	108-5339-03	1	Bracket-Support, RH
17	3290-357	7	Nut-HHF, Whiz	31	322-4	4	Screw-HH
18	112-8302-03	1	Shield-Cooler	32	323-5	2	Screw-HH
19	3234-33	3	Screw-HHF				
20	3256-3	2	Washer-Flat				
21	109-2365	2	Bumper-Rubber (W/Stud)				



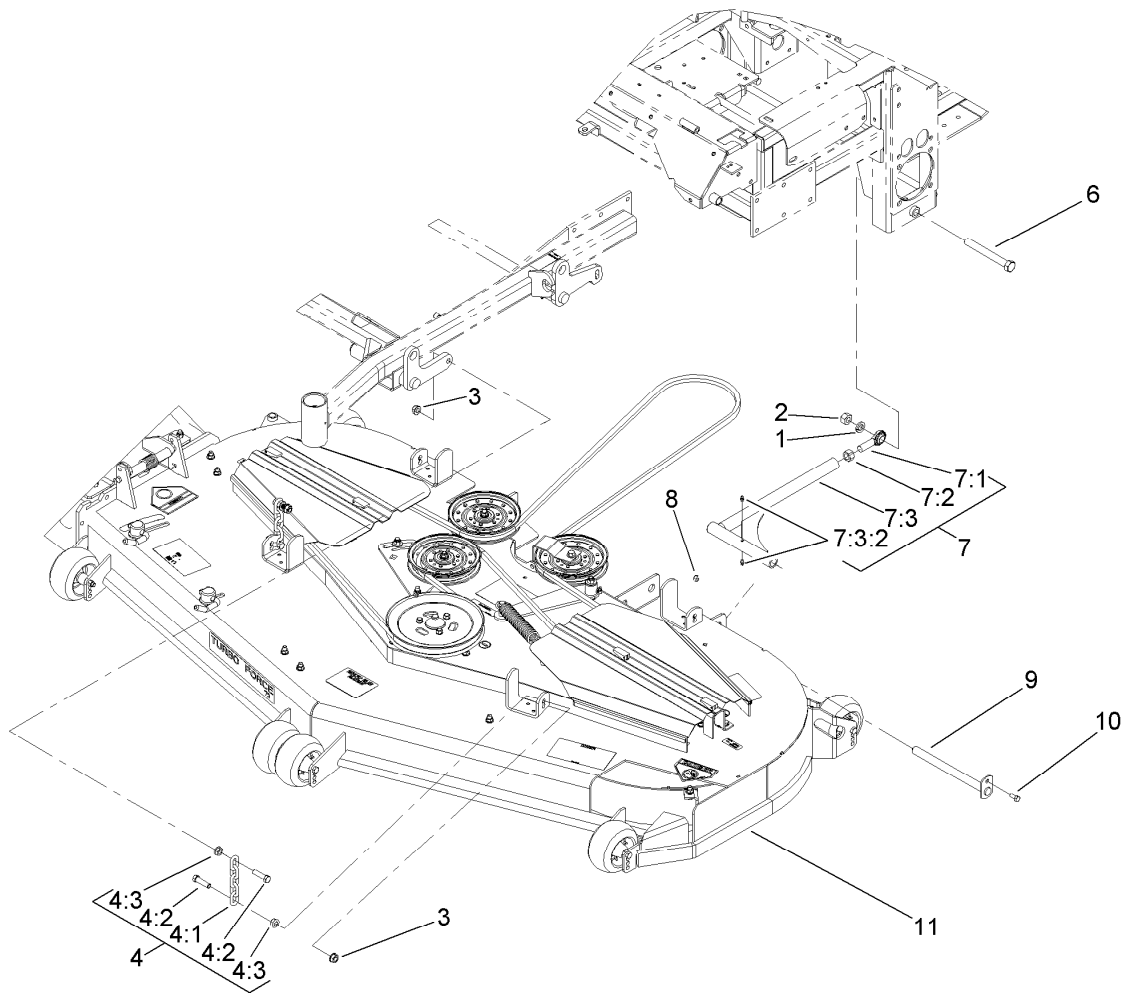
Cooling System Assembly

<i>Ref.</i>	<i>Part Number</i>	<i>Qty.</i>	<i>Description</i>	<i>Ref.</i>	<i>Part Number</i>	<i>Qty.</i>	<i>Description</i>
1	110-3845	1	Top Radiator Plate ASM	12	108-5372	1	Hose-Radiator, LH
1:2	93-8069	2	Decal-Surface, Hot	13	108-5904	1	Hose-Outlet, Engine
1:3	110-3842	1	Decal-Antifreeze	14	1-643164	1	Cap-Tank, Overflow
2	1-643161	1	Cap-Radiator	15	1-643163	1	Tank-Overflow
3	107-9932	1	Radiator	16	1-603954	1	Hose-Line, Fuel
4	322-1	6	Screw-HH	17	1-643259	1	Fitting-Elbow
5	3256-23	16	Washer-Flat	18	1-513645	1	Bushing-Valve, Fuel
6	110-0880	1	Bottom Radiator Plate ASM	19	321-2	2	Screw-HH
6:2	107-7719	2	Decal-Danger, Rotating Devices	20	1-303287	5	Tie-Cable
6:3	32148-6	1	Insert-Nut	21	103-1428	1	Hose-Overflow
6:4	1-513658	2	Bumper	22	322-5	3	Screw-HH
7	1-803067	4	Screw	23	1-603727	1	Clip-Loom
8	1-643312	1	Clip-Loom	26	108-5971	1	Shroud-Cooling, Engine
9	1-804254	4	Nut	27	3256-67	4	Washer-Flat
10	1-633831	1	Fan	28	322-3	11	Screw-HH
11	1-633989	4	Clamp-Hose	29	32128-20	4	Nut-HF



Hood Assembly

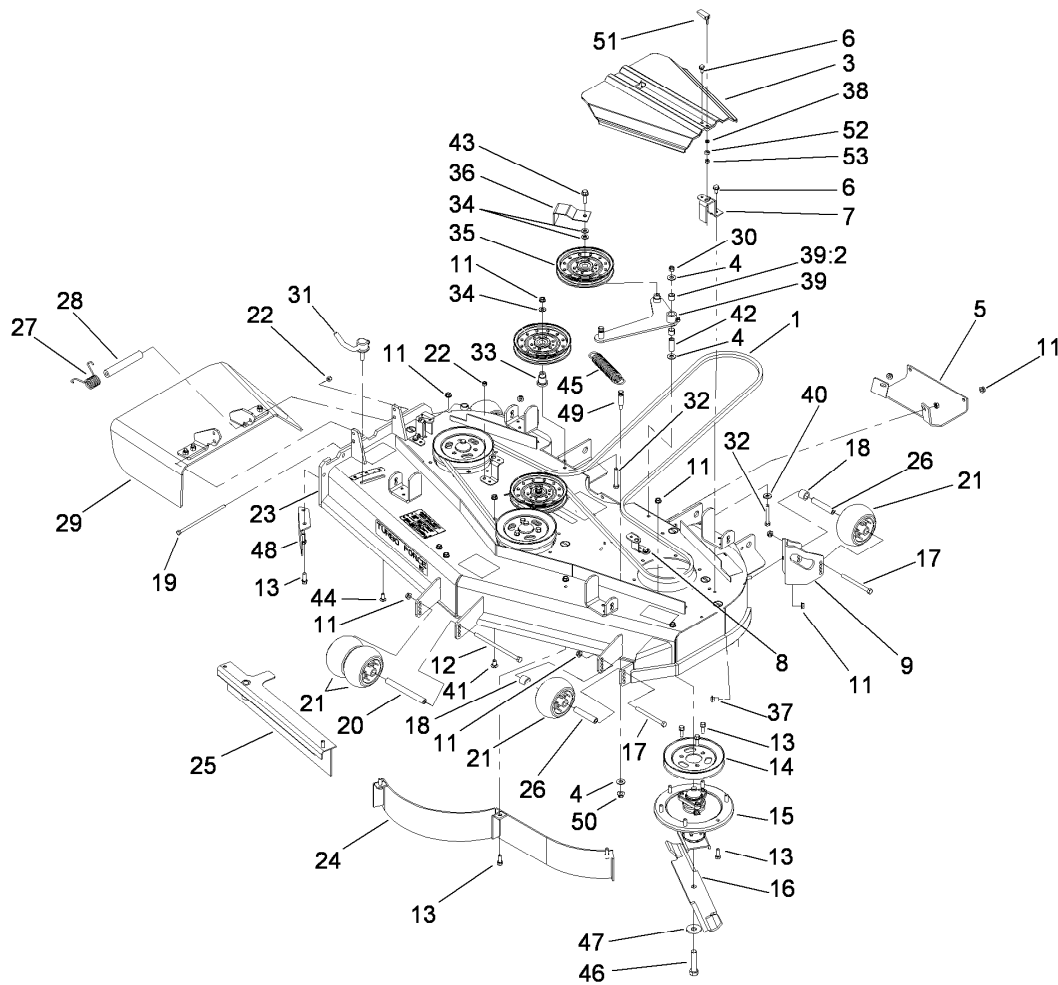
Ref.	Part Number	Qty.	Description	Ref.	Part Number	Qty.	Description
1	1-803072	17	Rivet	12	1-643186	2	Seal-Trim
2	1-633864-03	1	Screen-Radiator	13	108-5337-03	2	Plate-Hinge, Hood
3	923786	4	Rivet	14	322-4	4	Screw-HH
4	1-643188	1	Latch-Rubber	15	1-808285	2	Pin-Clevis
5	1-303435	4	Washer-Spring	16	3256-24	4	Washer-Flat
6	114-8225	1	Hood ASM	17	1-806003	2	Pin-Cotter, Hair
6:1	114-9600	2	Decal-Low Sulfur	18	1-643187	2	Seal-Trim
6:2	107-7674	1	Decal	19	1-643107-03	1	Angle-Radiator, Top
7	3296-29	4	Nut-Lock, NI	20	1-643106-03	1	Angle-Radiator, RH
8	3256-23	8	Washer-Flat	22	1-643189	1	Keeper-Latch, Rubber
9	1-643108-03	1	Angle-Radiator, Bottom	23	104-7050	1	Tube-Manual
10	1-643105-03	1	Angle-Radiator, LH	24	104-7048	1	Cap-Housing
11	3256-14	12	Washer-Flat	25	2412-120	2	R-Clamp



Deck Connection Assembly

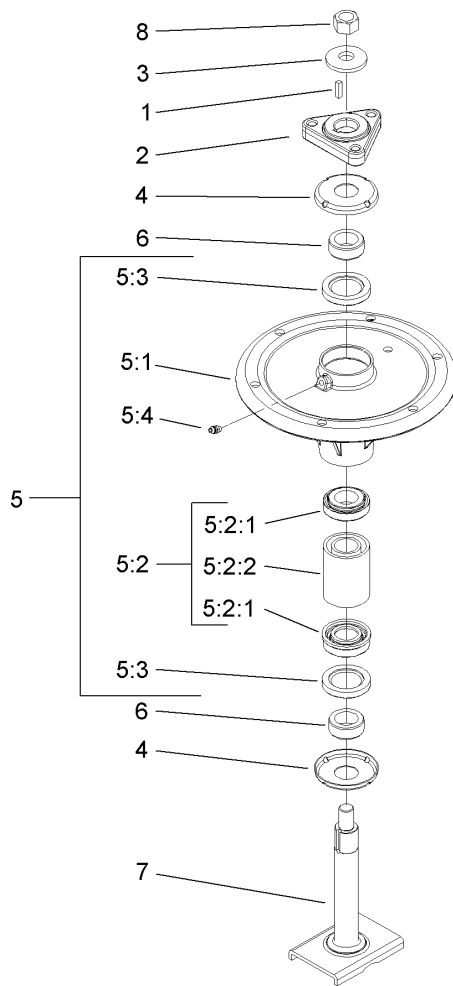
Ref.	Part Number	Qty.	Description
1	3253-8	2	Washer-Lock
2	3217-11	2	Nut-Hex
3	32128-37	8	Nut-HF
4	103-9792	4	Deck Chain ASM
4:1	1-633447	1	Chain-Lift, Deck
4:2	103-1898	2	Screw-HH
4:3	32128-37	2	Nut-HF
6	327-28	2	Screw-HH
7	108-5969	2	Strut ASM
7:1	1-633029	1	Balljoint-Spherical
7:2	3219-6	1	Nut-Hex
7:3		1	Strut-Deck ●
7:3:2	109-1380	2	Fitting-Grease
8	3296-29	2	Nut-Lock, NI
9	1-632199-01	2	Pin-Strut
10	322-3	2	Screw-HH
11		1	Deck ASM ●

● Not serviced separately



Deck Assembly

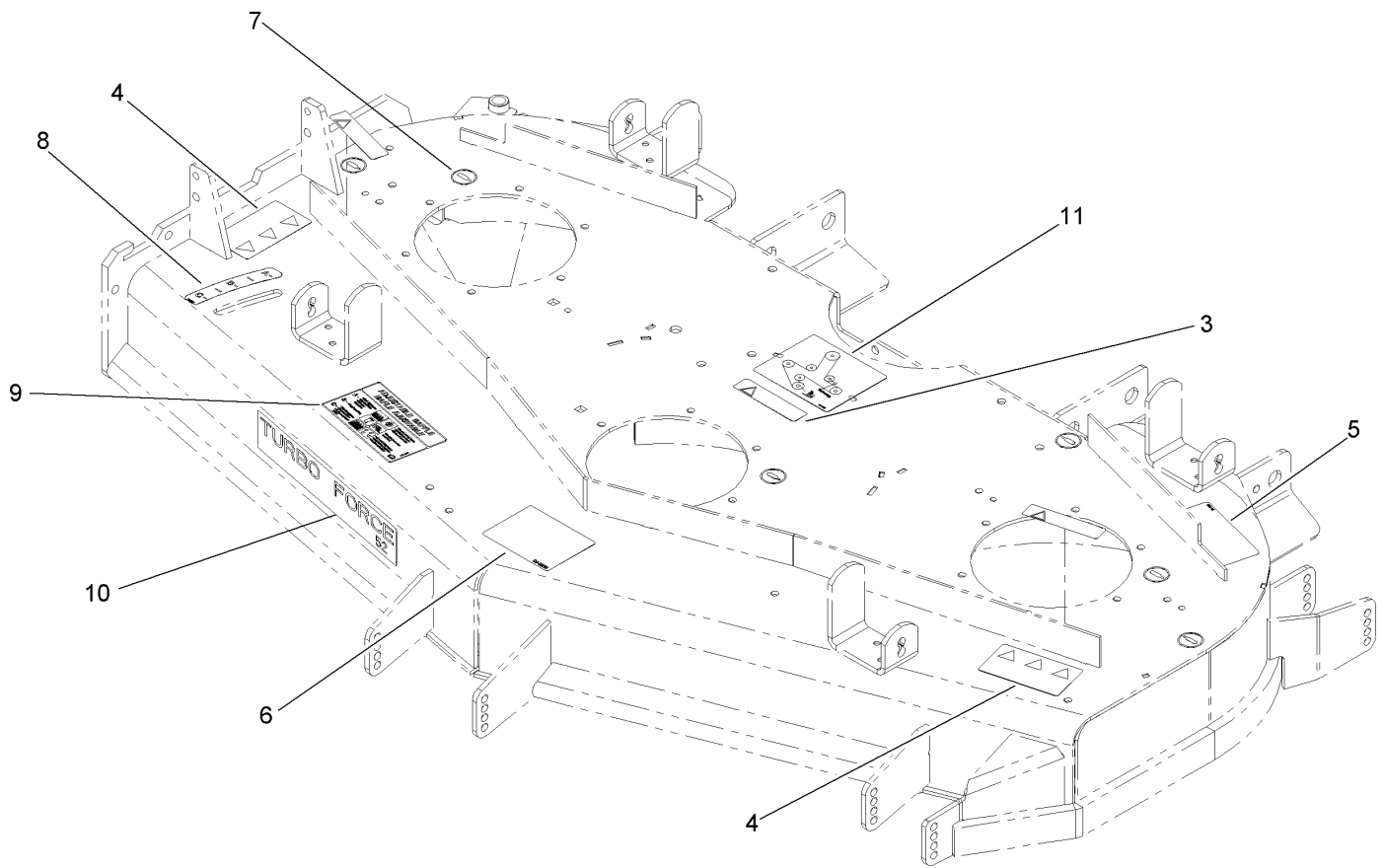
Ref.	Part Number	Qty.	Description	Ref.	Part Number	Qty.	Description
1	108-5951	1	Belt-V	30	3296-39	1	Nut-Lock, NI
3	107-8536	2	Cover-Belt	31	107-1664	1	Lever ASM
4	3256-4	3	Washer-Flat	32	323-12	3	Screw-HH
5	106-7358-01	1	Plate-Skid	33	106-3214	2	Mount-Pulley
6	32144-70	5	Screw-HWHTF	34	3256-24	4	Washer-Flat
7	108-4121-01	2	Bracket-Cover	35	1-633109	3	Idler-Flat
8	108-2177-01	2	Bracket-Cover, Tall	36	108-7220-01	1	Guide-Belt
9	106-7354-01	1	Mount-Wheel, LH	37	3231-1	11	Screw-CARR
11	3290-357	42	Nut-HHF, Whiz	38	99-3058	2	Washer
12	323-28	1	Screw-HH	39	108-5949	1	Deck Idler Arm ASM
13	92-1624	33	Screw-HWH	39:2	103-4681	2	Sleeve-Bearing
14	108-5979	3	Pulley-B Section	40	98-5975	1	Washer-Belleville
15	108-7713	3	Spindle ASM	41	3231-21	1	Screw-CARR
16	105-7781-03	3	Blade-18 Inch (Hi Flow)	42	1-603044	1	Bushing
17	323-23	3	Screw-HH	43	3234-24	1	Screw-HHF
18	98-7913	3	Tube-Spacer	44	3230-23	1	Screw-CARR
19	322-50	1	Screw-HH	45	110-0822	1	Spring-Extension
20	98-5967	1	Spacer-Wheel	46	103-0862	3	Screw-Cap
21	1-603299	5	Roller-Scalp, Anti	47	103-0865	3	Washer-Blade Bolt, Heavy
22	3296-29	2	Nut-Lock, NI	48	106-3216-01	1	Baffle-Discharge
23	108-5966	1	Deck ASM	49	110-0801	1	Pin-Threaded, Spring Anchor
24	105-7754-01	1	Baffle ASM	50	32128-19	1	Nut-HF
25	105-7755-01	1	Baffle ASM	51	106-6777	2	Handle-Latch, Swell
26	98-7912	3	Tube-Spanner	52	106-6778	2	Bushing-Latch, Swell
27	108-4052	1	Spring-Torsion	53	1-804254	2	Nut
28	105-4622	1	Spacer				
29	108-2792	1	Rubber Deflector ASM				



Spindle Assembly No. 108-7713

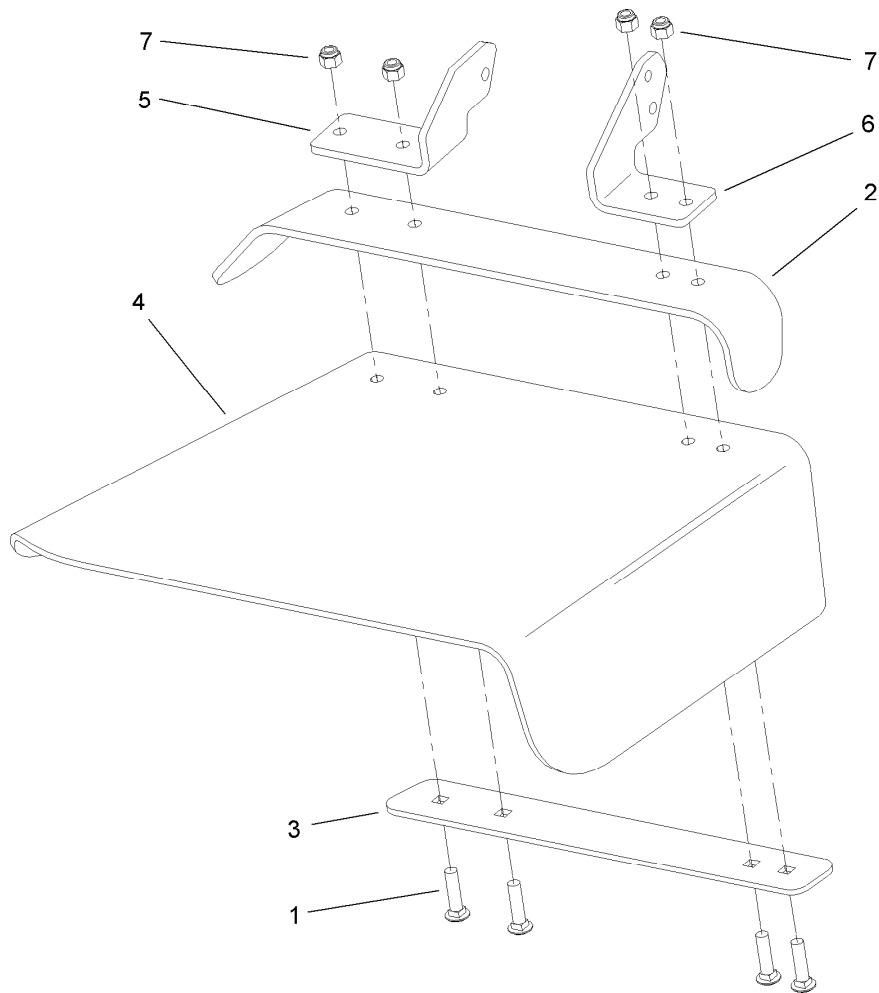
Ref.	Part Number	Qty.	Description
1	10-8040	1	Key-Square
2	106-3277	1	Hub-Pulley
3	103-0865	1	Washer-Blade Bolt, Heavy
4	106-3204	2	Shield-Bearing
5		1	Spindle Bearing ASM ●
5:1	106-3211	1	Housing-Spindle
5:2	108-7711	1	Bearing ASM
5:2:1	108-7710	1	Bearing ASM
5:2:2	106-3206	1	Spacer (Matched Set)
5:3	253-133	2	Seal-Oil
5:4	302-5	1	Fitting-Grease
6	106-3218	2	Spacer-Seal
7	106-3233	1	Spindle Shaft ASM
8	3219-6	1	Nut-Hex

● Not serviced separately



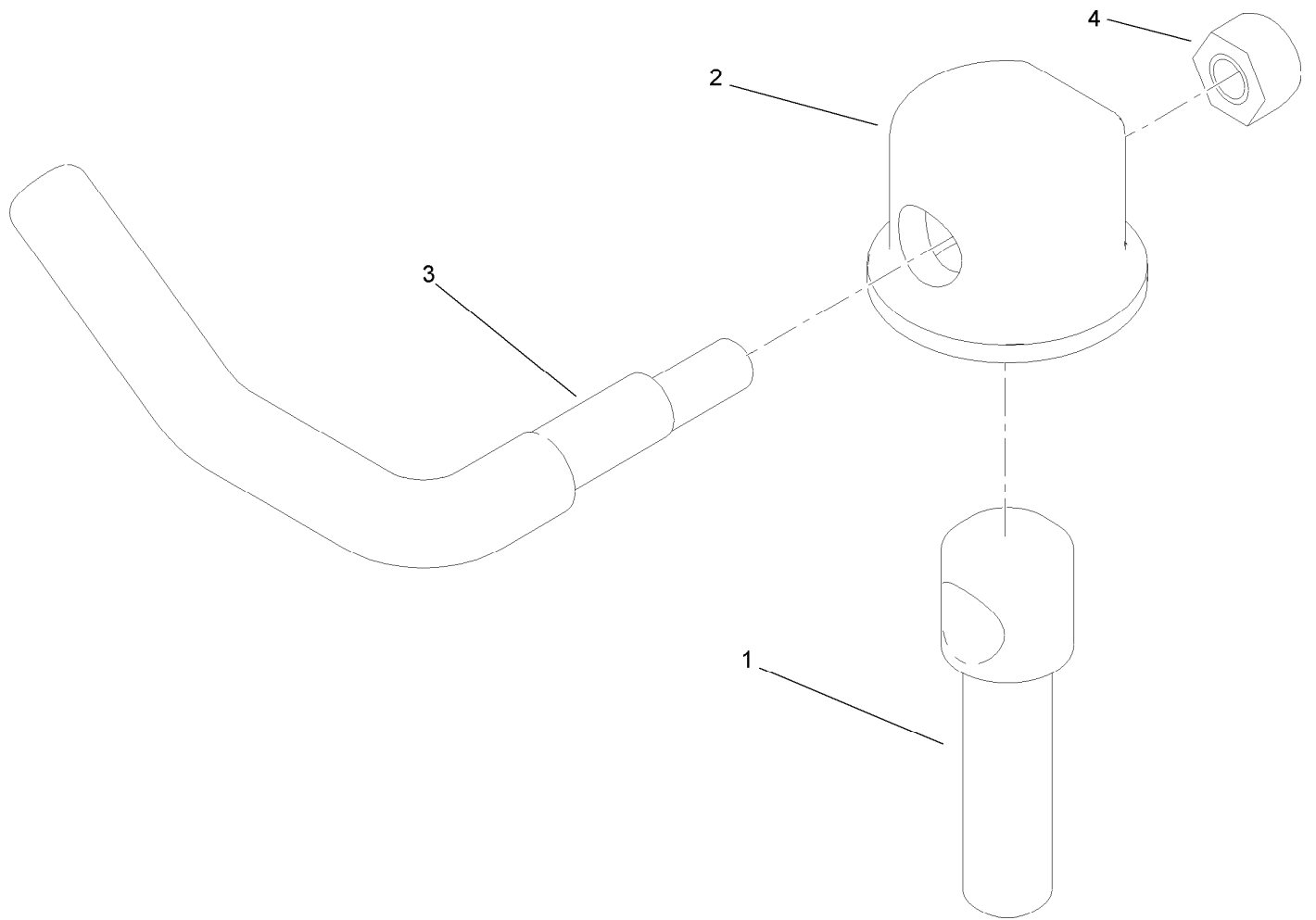
Deck Decal Assembly No. 108-5966

<i>Ref.</i>	<i>Part Number</i>	<i>Qty.</i>	<i>Description</i>
3	98-1977	3	Decal-Warning
4	93-7010	2	Decal-Danger
5	93-7818	1	Decal-Torque, Blade Bolt
6	99-8939	1	Decal-Anti Scalp
7	58-6520	6	Decal-Grease
8	110-2067	1	Decal-Setting, Baffle
9	110-2068	1	Decal-Adjustment, Baffle
10	107-1618	1	Decal
11	108-5981	1	Decal-Routing, Belt



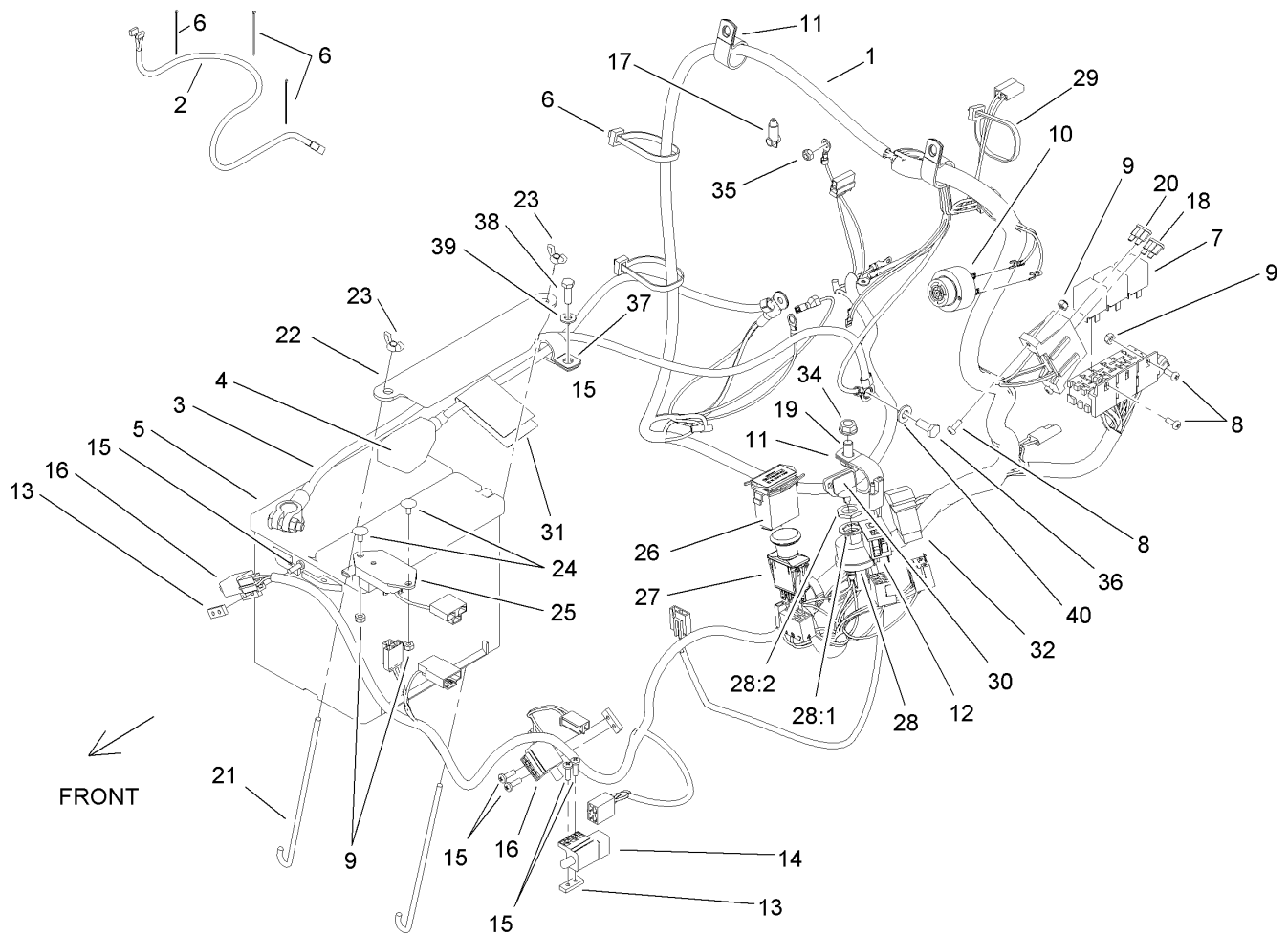
Rubber Deflector Assembly No. 108-2792

<i>Ref.</i>	<i>Part Number</i>	<i>Qty.</i>	<i>Description</i>
1	3231-4	4	Screw-CARR
2	106-3246-01	1	Deflector
3	106-3248-03	1	Strap-Discharge
4	108-5029	1	Deflector-Rubber
5	108-4059-01	1	Plate-Hinge, Rear
6	106-3253-01	1	Plate-Hinge, Front
7	3296-39	4	Nut-Lock, NI



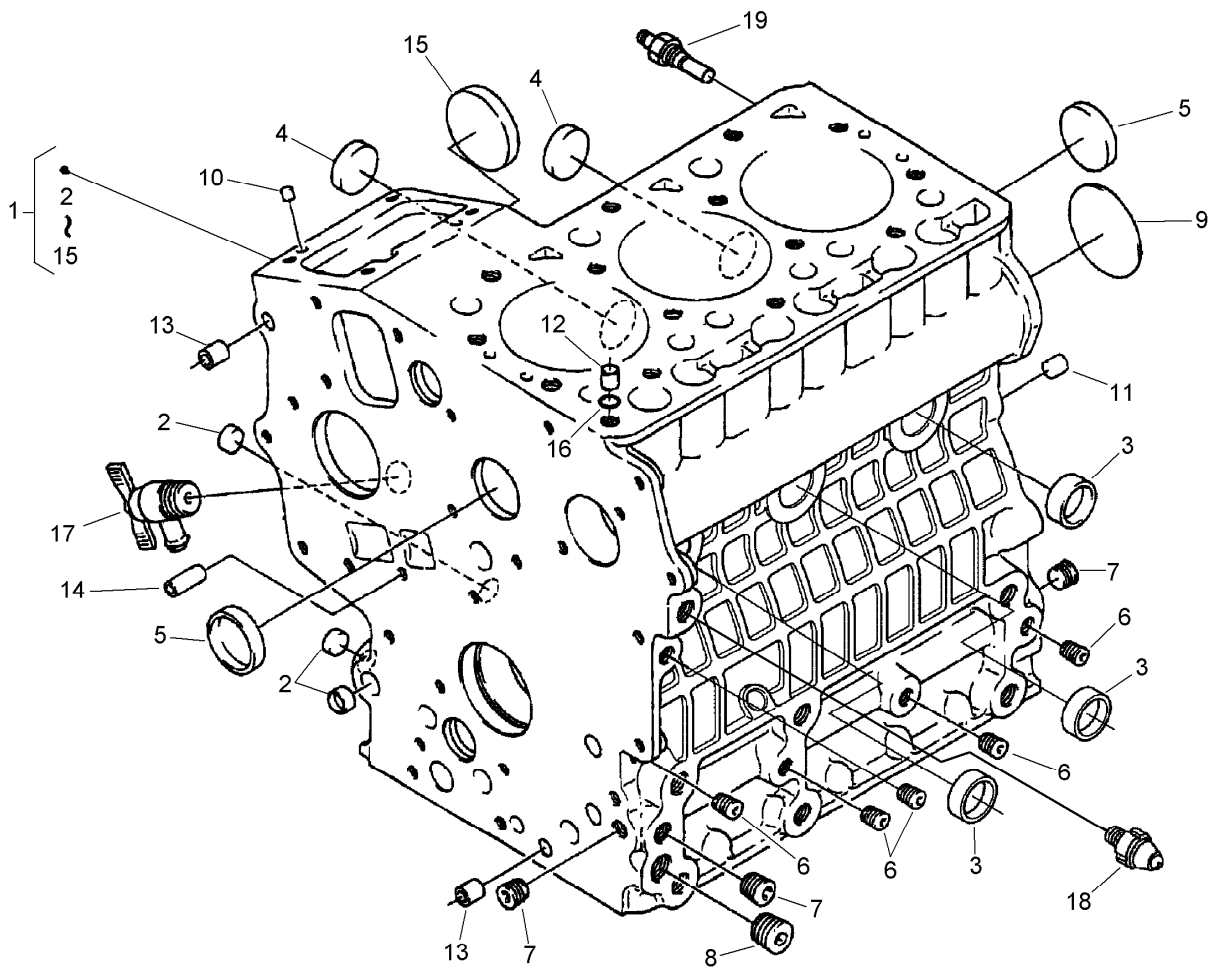
Lever Assembly No. 107-1664

<i>Ref.</i>	<i>Part Number</i>	<i>Qty.</i>	<i>Description</i>
1	106-3239	1	Screw-Lock
2	107-1644	1	Cap-Lock
3	106-3241	1	Lever-Lock
4	3296-29	1	Nut-Lock, NI



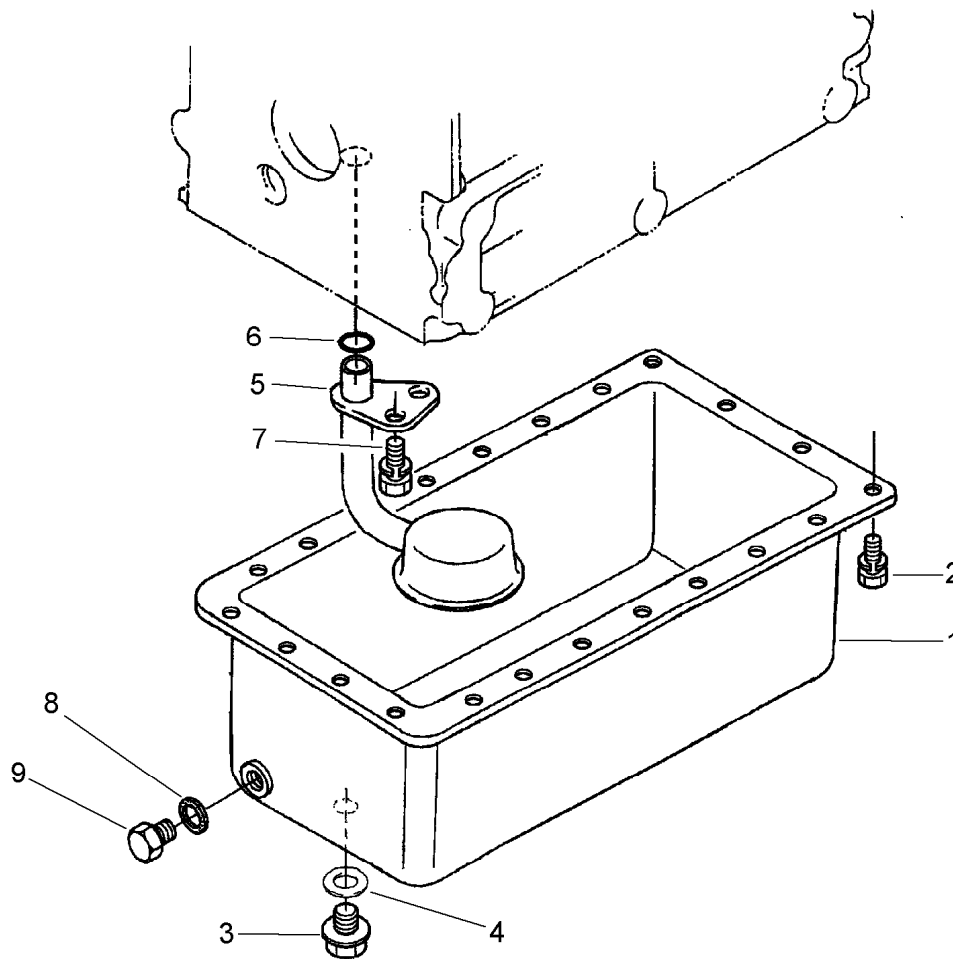
Electrical Assembly

<i>Ref.</i>	<i>Part Number</i>	<i>Qty.</i>	<i>Description</i>	<i>Ref.</i>	<i>Part Number</i>	<i>Qty.</i>	<i>Description</i>
1	112-8315	1	Harness-Electrical, Main	22	103-1311-03	1	Holddown-Battery
2	103-1227	1	Harness-Wiring, Seat	23	1-543792	2	Wingnut
3	110-0303	1	Cable-Battery, Negative	24	1-807513	2	Bolt-CARR
4	110-0304	1	Cable-Battery, Positive	25	103-5218	1	Module-Delay, Seat
5	106-5187	1	Battery	26	1-513374	1	Meter-Hour
6	1-303335	7	Tie-Plastic	27	103-5221	1	Switch-PTO
7	1-643275	3	Relay	28	104-2541	1	Switch ASM
8	1-803071	4	Screw	28:1	218-461	1	Nut-HH
9	3296-2	6	Nut-Lock, NI	28:2	3254-5	1	Washer-Tooth, Internal
10	103-0205	1	Alarm-Tone, Dual	29	1-303287	1	Tie-Cable
11	1-643312	3	Clip-Loom	30	63-8360	2	Key-Ignition
12	100-8071	1	Lamp-Warning	31	107-9309	1	Decal-Instructions, Charging
13	1-633181	3	Plate-Tapped	32	110-0811	1	Switch-Rocker
14	1-633111	1	Switch	34	3290-357	1	Nut-HHF, Whiz
15	3290-500	6	Screw-PPH	35	33023-00	1	Nut-Lock
16	1-513051	2	Switch-Open, Normally	36	33114-016	1	Screw-HH
17	1-643178	1	Cap-Insulator, Red	37	1-633396	2	Clip-Loom
18	103-1368	1	Fuse-40 Amp	38	321-5	2	Screw-HH
19	323-4	1	Screw-HH	39	3256-22	2	Washer-Flat
20	109103	1	Fuse-30 Amp	40	3256-23	1	Washer-Flat
21	103-1312	2	Bolt-Holddown				



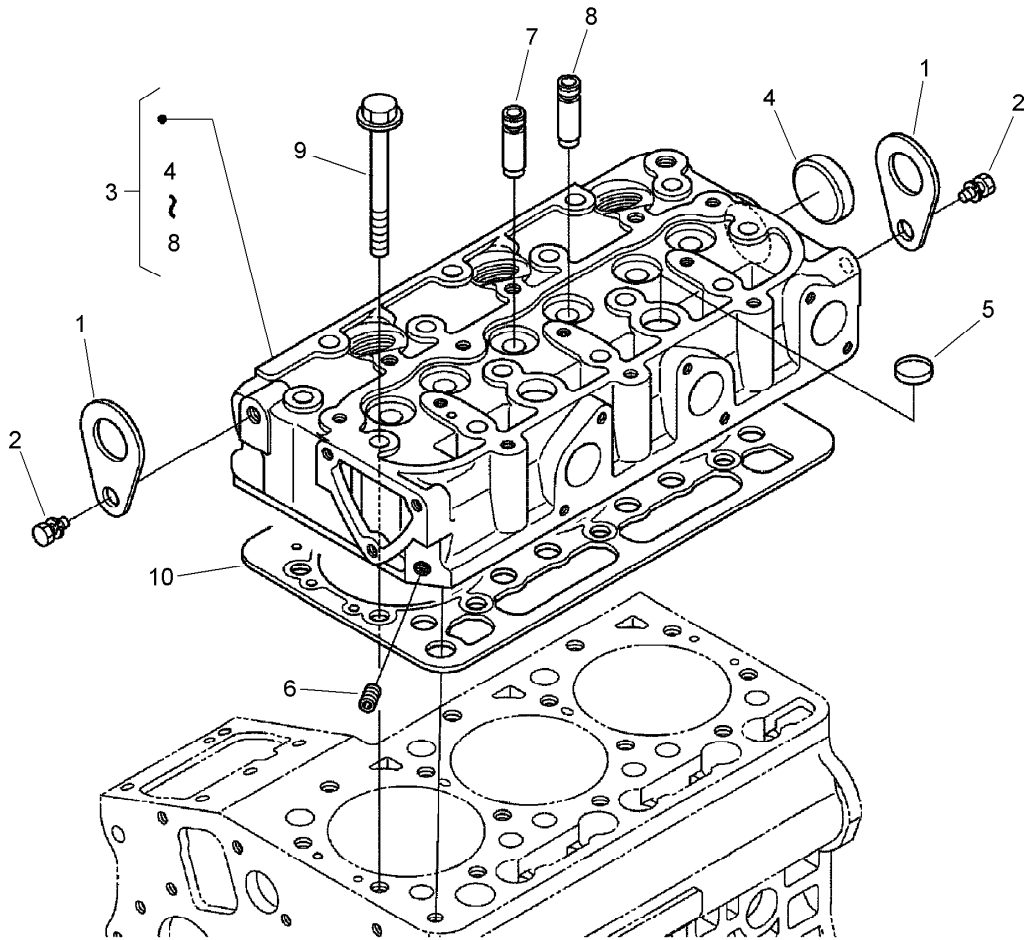
Crankcase Assembly

<i>Ref.</i>	<i>Part Number</i>	<i>Qty.</i>	<i>Description</i>
1	112-8324	1	Crankcase
2	100-2019	3	Cap-Sealing
3	100-2020	3	Cap-Sealing
4	110-3702	2	Cap-Sealing
5	98-9398	2	Cap-Sealing
6	98-7540	5	Plug
7	98-7487	3	Plug
8	98-7488	1	Plug
9	100-1851	1	Plug-Expansion
10	98-9375	2	Pin-Straight
11	98-9377	2	Pin-Straight
12	98-7506	1	Pin-Pipe
13	98-9387	2	Pin-Pipe
14	100-2051	2	Pin-Pipe
15	100-1991	1	Cover-Fuel, Camshaft
16	98-7509	1	O-Ring
17	98-9436	1	Drain Cock ASM
18	100-2230	1	Switch-Oil
19	99-3582	1	Thermoswitch



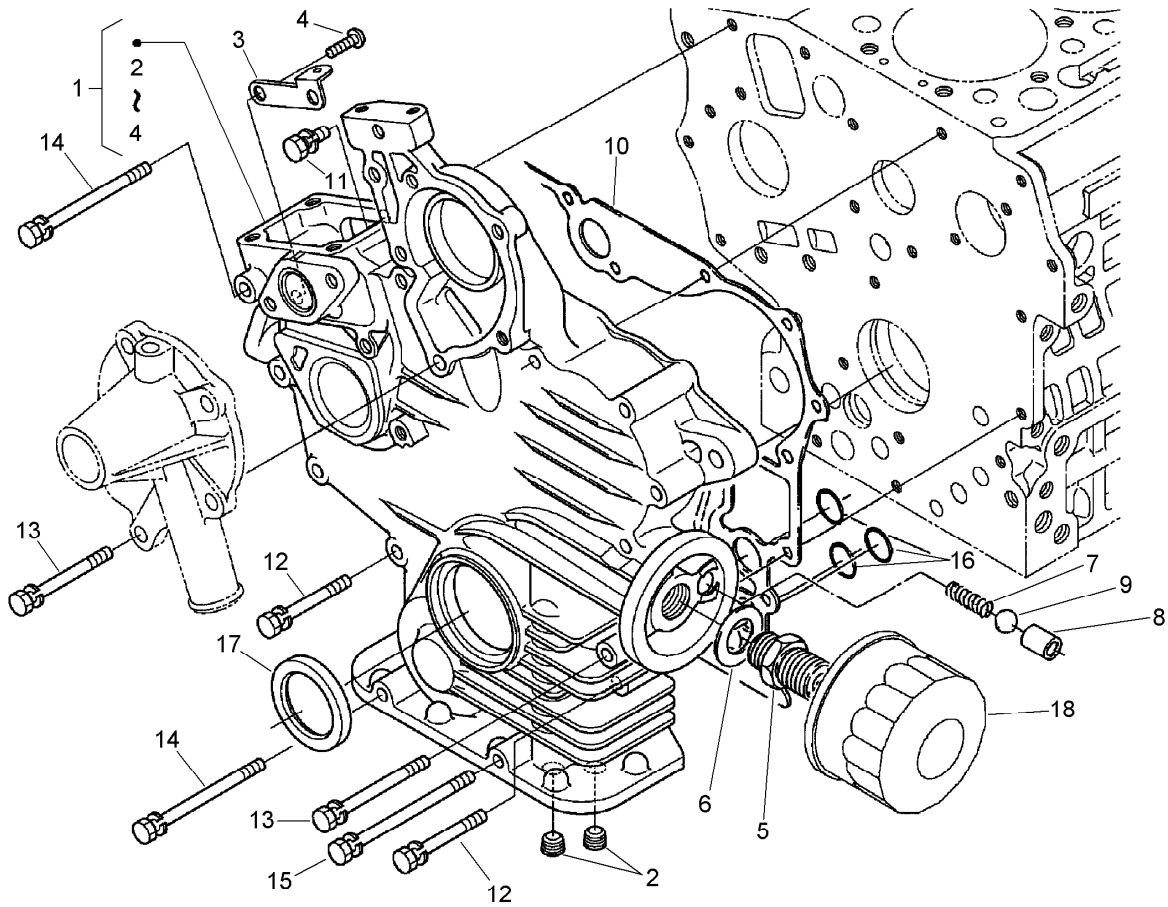
Oil Pan Assembly

<i>Ref.</i>	<i>Part Number</i>	<i>Qty.</i>	<i>Description</i>
1	110-3703	1	Oil Pan ASM
2	98-9351	22	Bolt
3	98-7523	1	Plug-Drain
4	110-9715	1	Gasket-Pan, Oil
5	100-2001	1	Strainer-Pickup, Oil
6	100-2205	1	O-Ring
7	100-9195	1	Bolt
8	110-3704	1	Gasket
9	114-8151	1	Plug-Drain



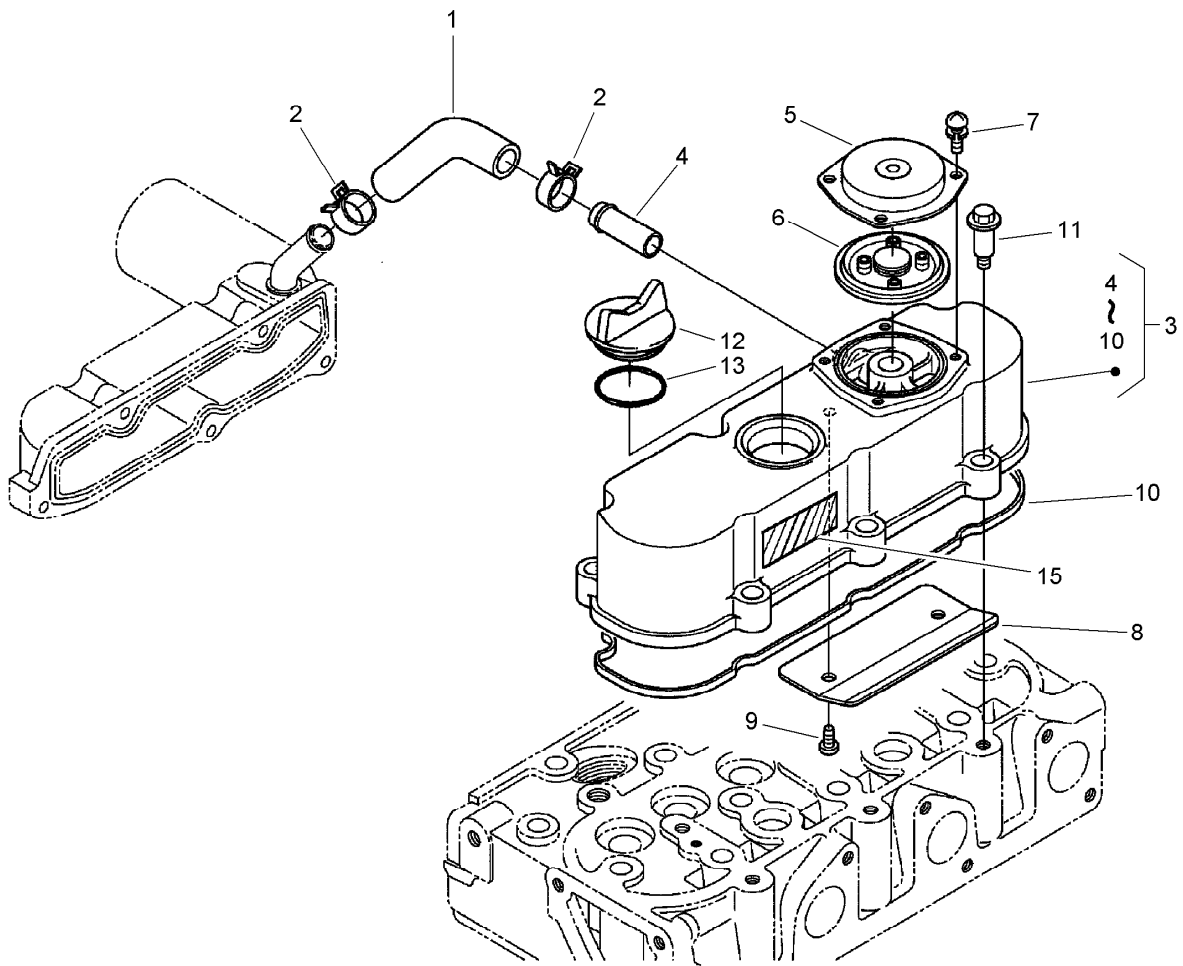
Cylinder Head Assembly

<i>Ref.</i>	<i>Part Number</i>	<i>Qty.</i>	<i>Description</i>
1	98-7531	2	Hook-Engine
2	98-7526	2	Bolt
3	110-3705	1	Head-Cylinder
4	98-9395	1	Cap-Sealing
5	98-9389	2	Cap-Sealing
6	98-7540	1	Plug
7	100-1882	3	Guide-Valve, Inlet
8	100-1883	3	Guide-Valve, Exhaust
9	100-1820	14	Bolt-Head, Cylinder
10	110-3706	1	Gasket-Head, Cylinder



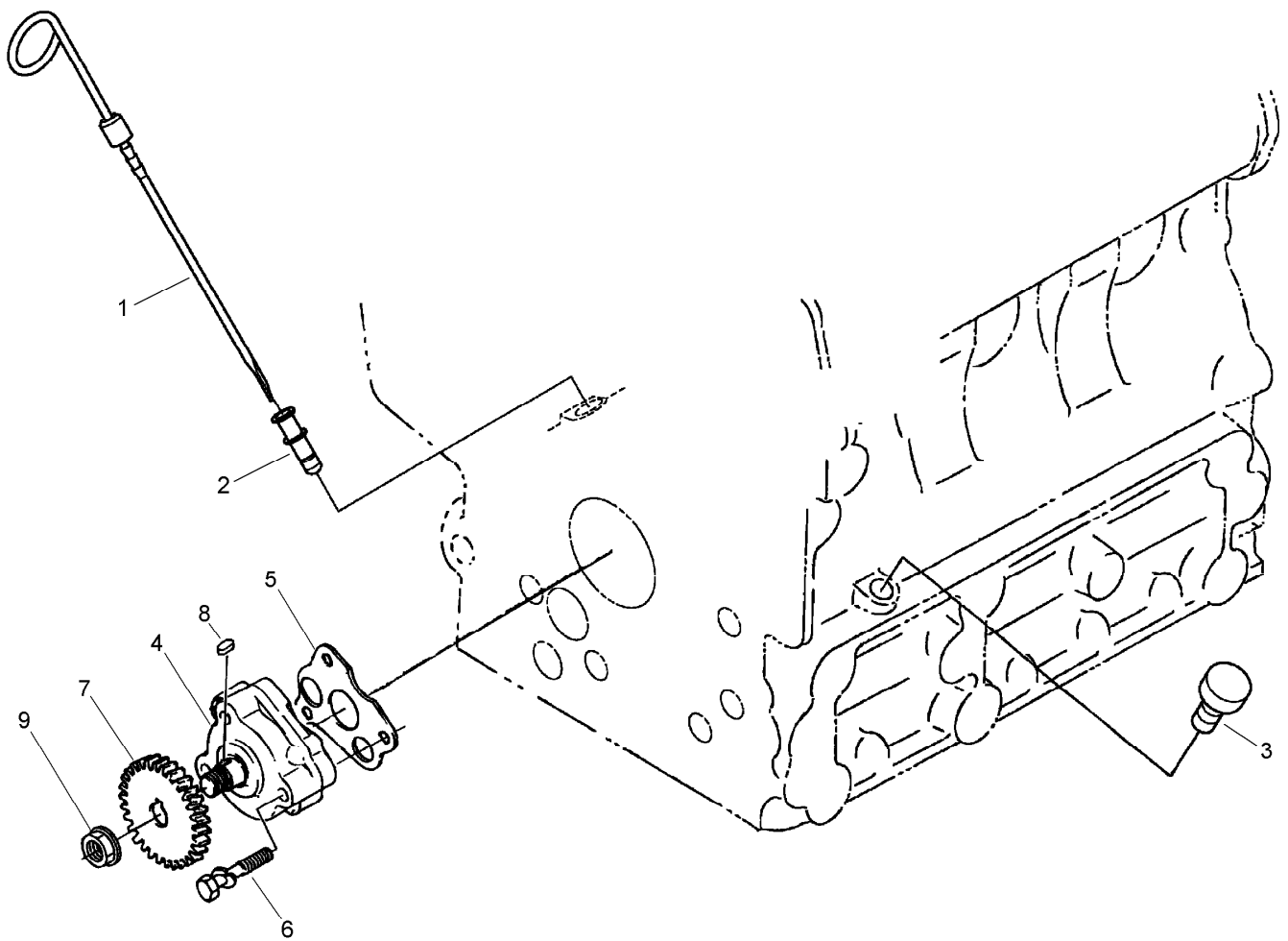
Gear Case and Oil Filter Cartridge Assembly

<i>Ref.</i>	<i>Part Number</i>	<i>Qty.</i>	<i>Description</i>
1	110-3707	1	Case-Gear
2	98-7488	2	Plug
3	110-3708	1	Stay-Spring, Start
4	100-2040	2	Screw
5	98-9388	1	Joint-Pipe
6	100-1926	1	Washer-Plain
7	100-2004	1	Spring
8	100-1894	1	Seat-Valve
9	100-1792	1	Ball
10	110-3709	1	Gasket-Gearcase
11	98-7605	1	Bolt
12	98-9355	9	Bolt
13	100-1922	2	Bolt
14	98-9357	2	Bolt
15	110-3710	1	Bolt
16	100-1785	3	O-Ring
17	100-1971	1	Seal-Oil
18	100-1892	1	Cartridge-Filter, Oil



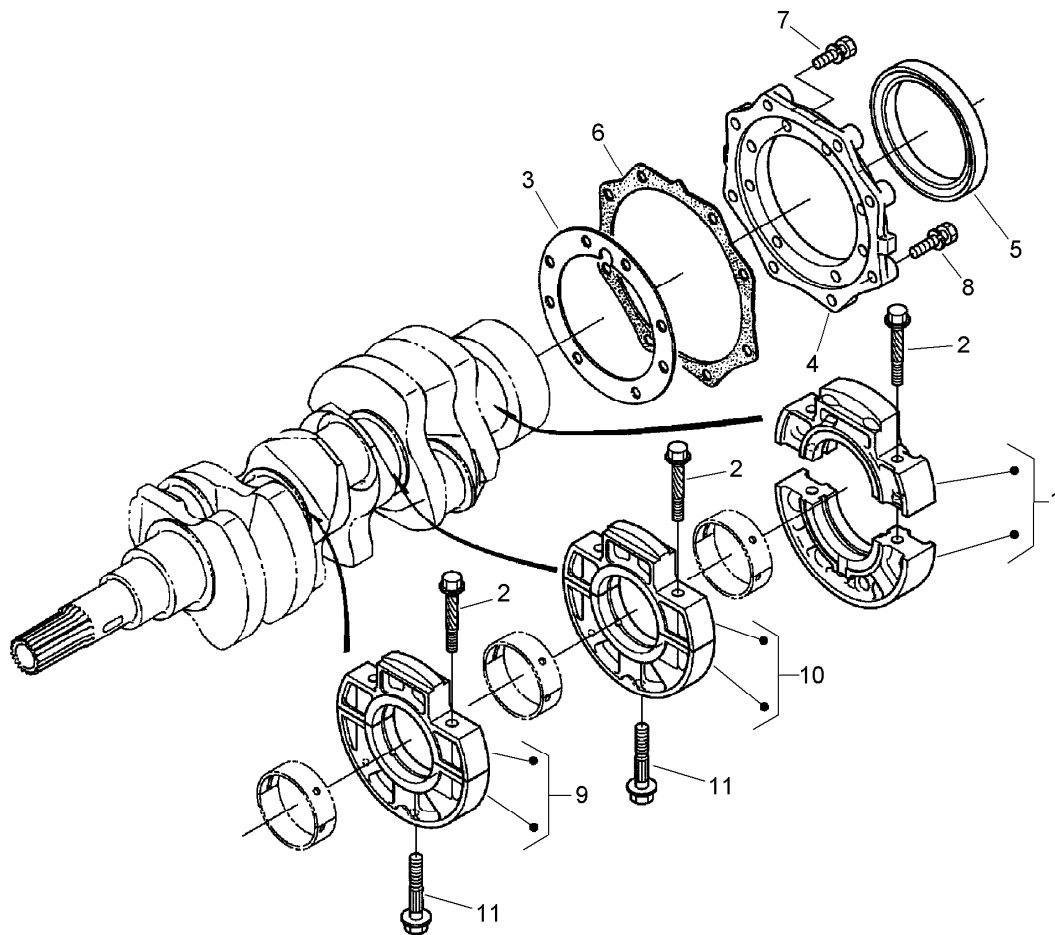
Head Cover Assembly

<i>Ref.</i>	<i>Part Number</i>	<i>Qty.</i>	<i>Description</i>
1	110-3711	1	Tube-Breather
2	110-3712	2	Clamp-Hose
3	110-3713	1	Cylinder Head Cover ASM
4	98-9580	1	Pipe-Return, Water
5	110-3714	1	Cover-Breather
6	110-3715	1	Valve-Breather
7	98-9364	4	Screw (With Washer)
8	110-3716	1	Shield-Breather
9	100-2040	2	Screw
10	110-3717	1	Gasket-Cover, Head
11	108-7063	6	Bolt
12	107-9075	1	Plug-Filler, Oil
13	99-3446	1	O-Ring
15	110-3843	1	Label-Instruction



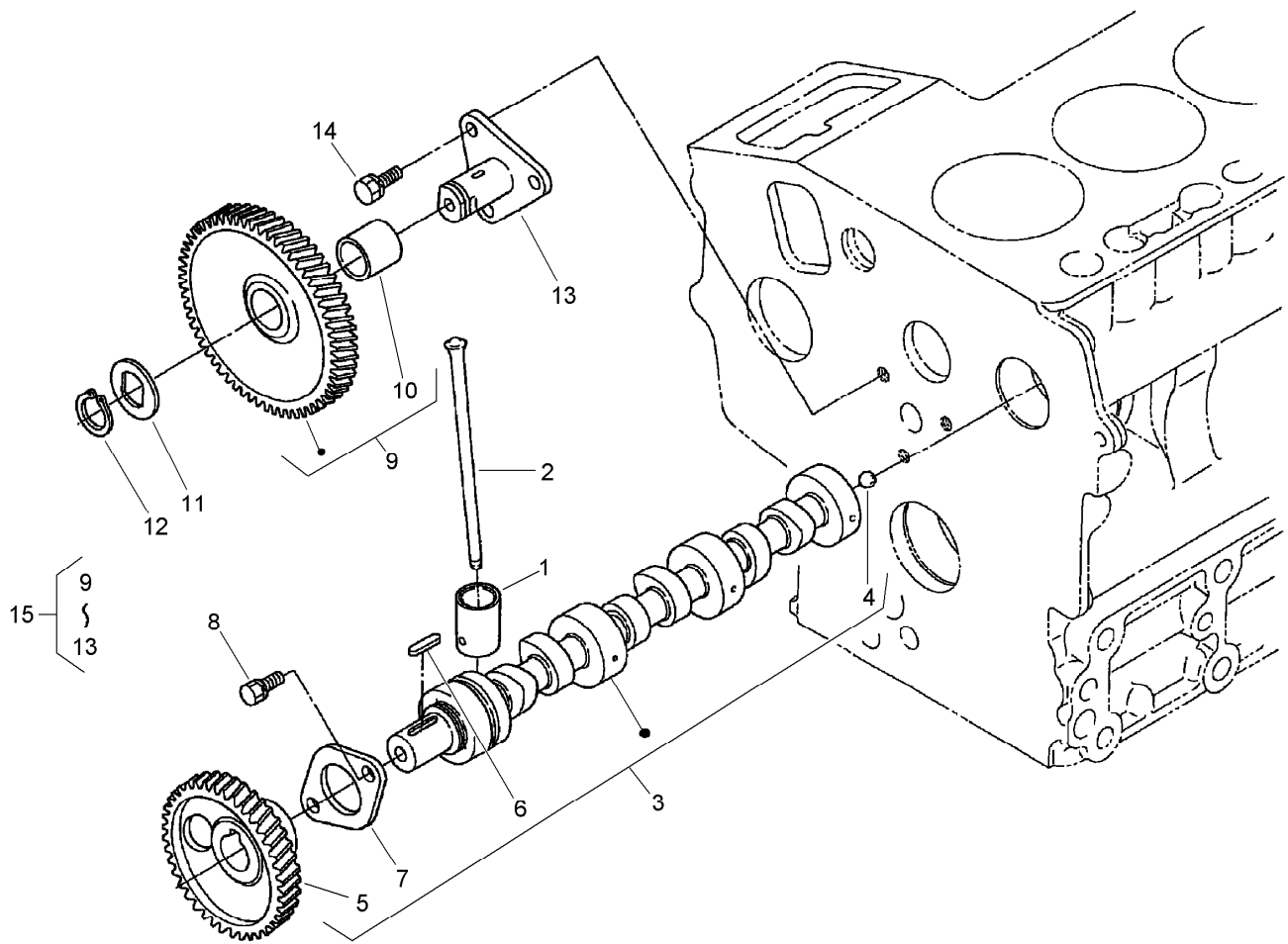
Dipstick, Guide and Oil Pump Assembly

<i>Ref.</i>	<i>Part Number</i>	<i>Qty.</i>	<i>Description</i>
1	110-3719	1	Gauge-Oil
2	105-4580	1	Guide-Gauge, Oil
3	110-3720	1	Plug-Gauge, Oil
4	100-2002	1	Oil Pump ASM
5	100-1958	1	Gasket-Pump, Oil
6	100-1923	3	Bolt
7	100-1893	1	Gear-Drive, Oil Pump
8	98-7658	1	Key-Feather
9	100-1779	1	Nut-Flange



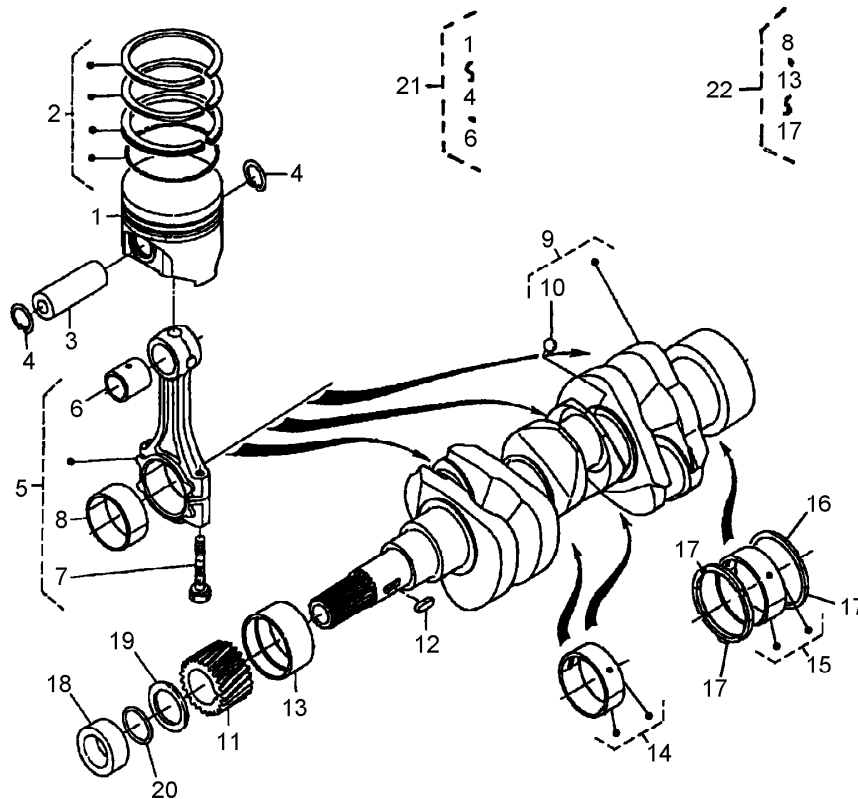
Main Bearing Case Assembly

<i>Ref.</i>	<i>Part Number</i>	<i>Qty.</i>	<i>Description</i>
1	110-3722	1	Main Bearing Case ASM
2	110-3723	6	Bolt-Case, Bearing
3	100-1873	1	Gasket-Case, Bearing
4	100-1875	1	Cover-Case, Bearing
5	110-3724	1	Seal-Oil
6	100-1876	1	Gasket-Case, Bearing
7	98-7568	8	Bolt
8	100-1750	8	Bolt
9	110-3725	1	Main Bearing Case ASM
10	112-8345	1	Main Bearing Case ASM
11	100-1874	2	Bolt-Case, Bearing



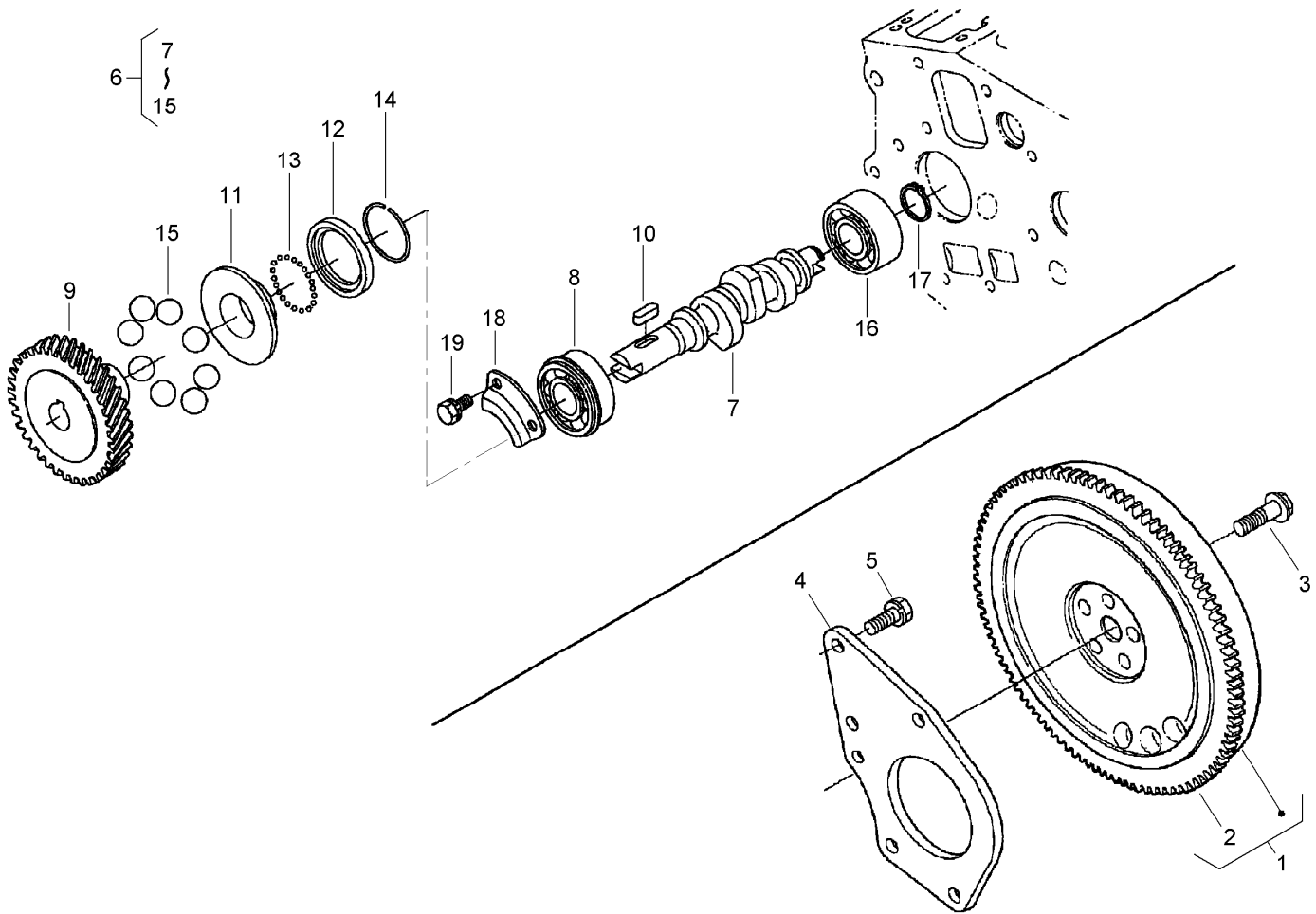
Camshaft and Idle Gear Shaft Assembly

<i>Ref.</i>	<i>Part Number</i>	<i>Qty.</i>	<i>Description</i>
1	110-3727	6	Tappet
2	100-1989	6	Rod-Push
3	110-3728	1	Camshaft ASM
4	110-3729	1	Ball
5	100-2163	1	Gear-Cam
6	98-9378	1	Key-Feather
7	100-1887	1	Camshaft-Stopper
8	98-9350	2	Bolt
9	100-1966	1	Gear-Idle
10	100-1968	1	Bushing
11	100-1970	1	Collar-Gear, Idle
12	100-1969	1	Ring-Snap
13	100-1967	1	Shaft-Gear, Idle
14	98-9351	1	Bolt
15	100-2240	1	Idle Gear ASM



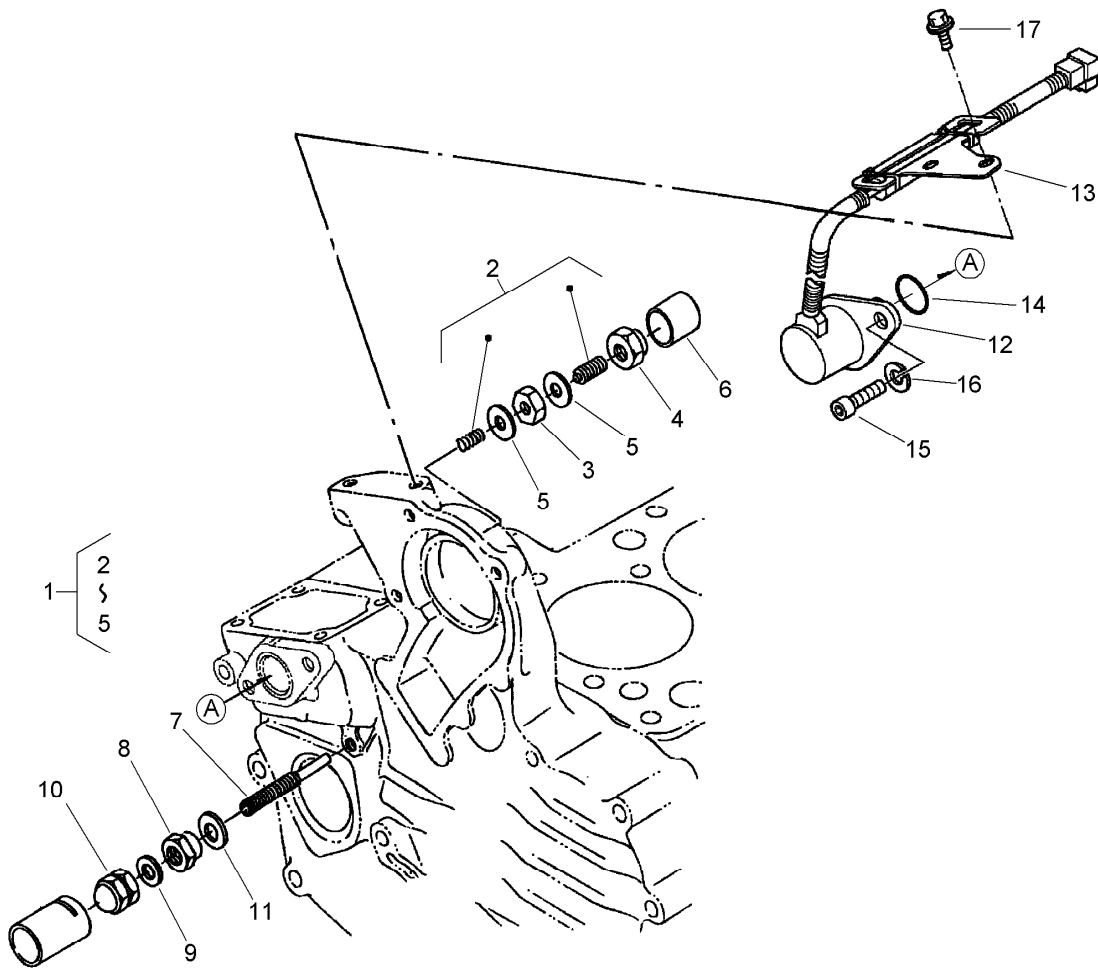
Piston and Crankshaft Assembly

<i>Ref.</i>	<i>Part Number</i>	<i>Qty.</i>	<i>Description</i>	<i>Ref.</i>	<i>Part Number</i>	<i>Qty.</i>	<i>Description</i>
1	112-8399	3	Piston +.25Mm	14	110-3741	2	Crankshaft Metal ASM (STD)
1	112-8398	3	Piston STD	15	110-3746	1	Crankshaft Metal ASM
2	110-3732	3	Piston Ring ASM (STD)	15	110-3745	1	Crankshaft Metal ASM
2	110-3733	3	Piston Ring ASM (+.25Mm)	15	110-3744	1	Crankshaft Metal ASM (STD)
3	110-3734	3	Pin-Piston	16	100-1839	2	Metal-Side
4	100-1835	6	Clip-Pin, Piston	16	100-1838	2	Metal-Side
5	110-3735	3	Connecting Rod ASM	16	100-1836	2	Metal-Side
6	110-3736	3	Bushing-Pin, Piston	17	100-1841	2	Metal-Side (+0.4Mm)
7	100-1999	6	Bolt-Rod, Connecting	17	100-1840	2	Metal-Side (+0.2Mm)
8	100-2000	3	Metal-Crankpin	17	100-1837	2	Metal-Side (STD)
8	100-1943	3	Crankpin-Metal	18	100-1890	1	Collar-Crankshaft
8	100-1942	3	Crankpin-Metal	19	100-1974	1	Slinger-Oil
9	110-3737	1	Crankshaft	20	100-2209	1	O-Ring
10	100-1791	3	Ball	21	110-3747	3	Piston Kit (STD)
11	100-1891	1	Gear-Crankshaft	21	110-3748	3	Piston Kit
12	100-1752	1	Key-Feather	22	110-3751	1	Engine Metal Kit
13	110-3738	1	Metal-Crankshaft	22	110-3750	1	Engine Metal Kit
13	110-3739	1	Metal-Crankshaft	22	110-3749	1	Engine Metal Kit
13	110-3740	1	Metal-Crankshaft				
14	110-3743	2	Crankshaft Metal ASM				
14	110-3742	2	Crankshaft Metal ASM				



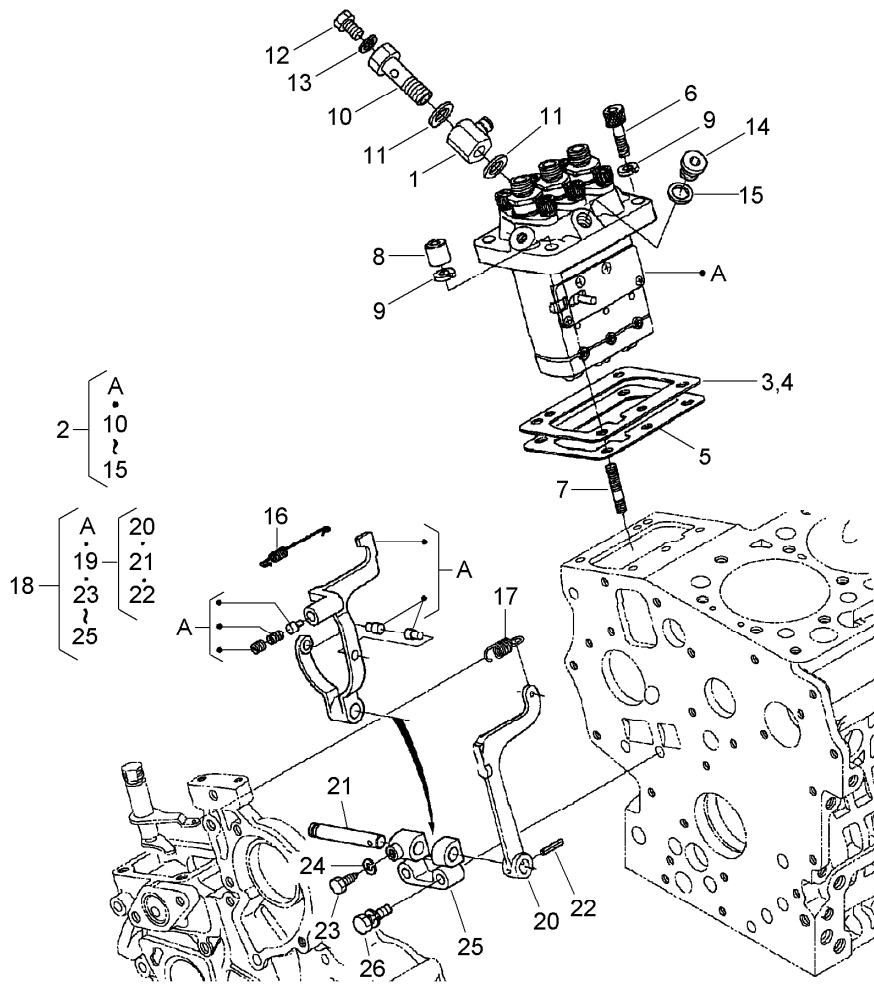
Flywheel, Fuel Camshaft and Governor Shaft Assembly

Ref.	Part Number	Qty.	Description
1	110-3752	1	Flywheel
2	100-2156	1	Gear-Ring
3	100-1930	5	Bolt-Flywheel
4	110-3753	1	Plate-End, Rear
5	110-3754	3	Bolt
6	110-3755	1	Fuel Camshaft ASM
7	110-3756	1	Camshaft-Fuel
8	100-1795	1	Bearing-Ball
9	100-2006	1	Gear-Pump, Injection
10	100-1752	1	Key-Feather
11	100-1903	1	Sleeve-Governor
12	100-1904	1	Case-Ball, Governor
13	100-1790	32	Ball
14	100-1843	1	Clip-Sleeve, Governor
15	100-1793	8	Ball
16	110-3757	1	Bearing-Ball
17	100-1784	1	Clip-External
18	100-1888	1	Stopper-Fuel, Camshaft
19	98-9350	2	Bolt



Idle Apparatus and Stop Solenoid Assembly

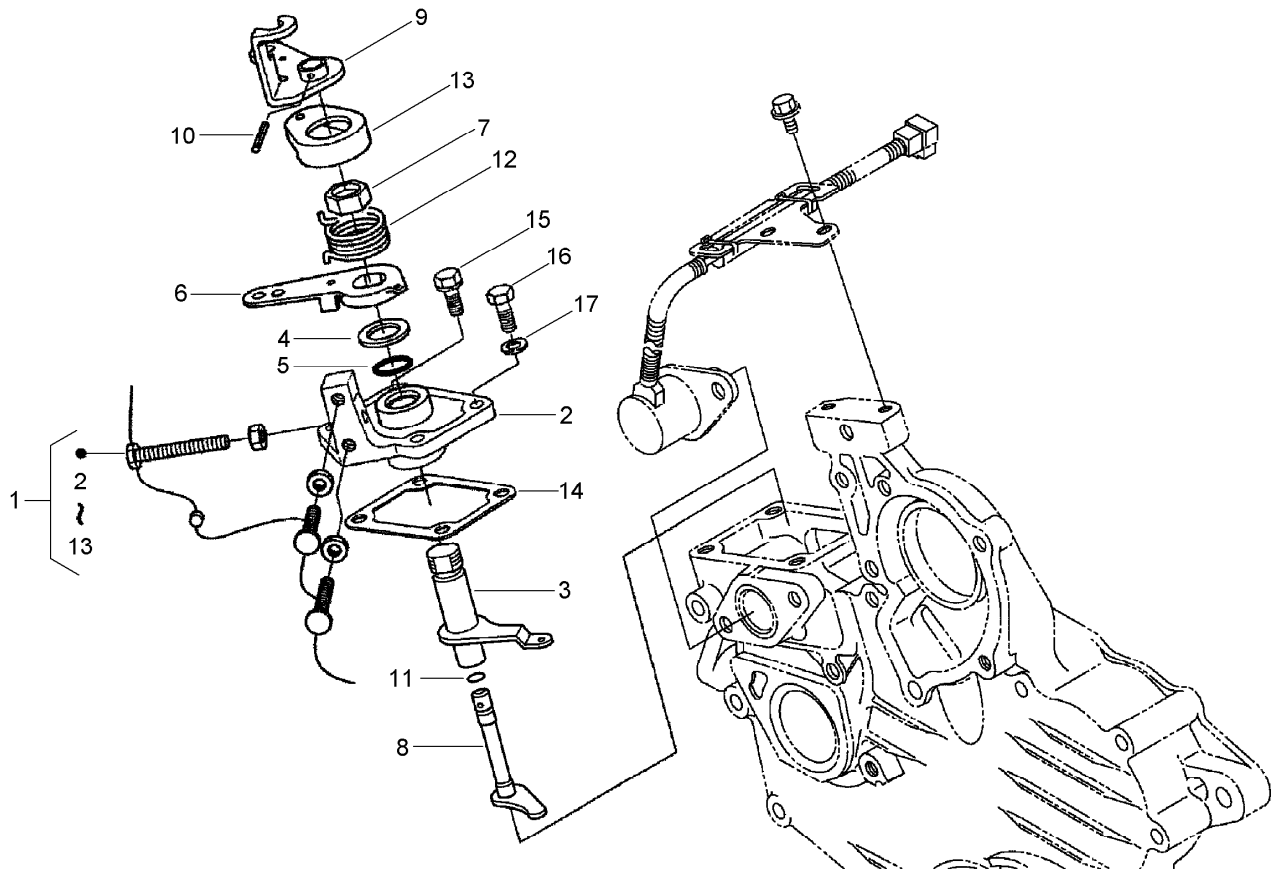
Ref.	Part Number	Qty.	Description
1	100-1898	1	Idle Apparatus ASM
2	100-1899	1	Adjusting Bolt ASM
3	100-1846	1	Nut
4	100-1901	1	Nut-Cap
5	98-7428	2	Gasket
6	100-1902	1	Cap
7	110-3758	1	Bolt-Adjusting
8	100-2175	1	Nut-Lock
9	98-7654	1	Gasket
10	98-9441	1	Nut-Cap
11	107-9081	1	Gasket
12	110-3760	1	Solenoid-Stop
13	110-3761	1	Stay-Commander, Coil
14	110-3762	1	O-Ring
15	110-3763	2	Bolt-HSH
16	98-7515	2	Washer-Spring
17	100-1774	2	Bolt-Flange



Injection Pump and Governor Assembly

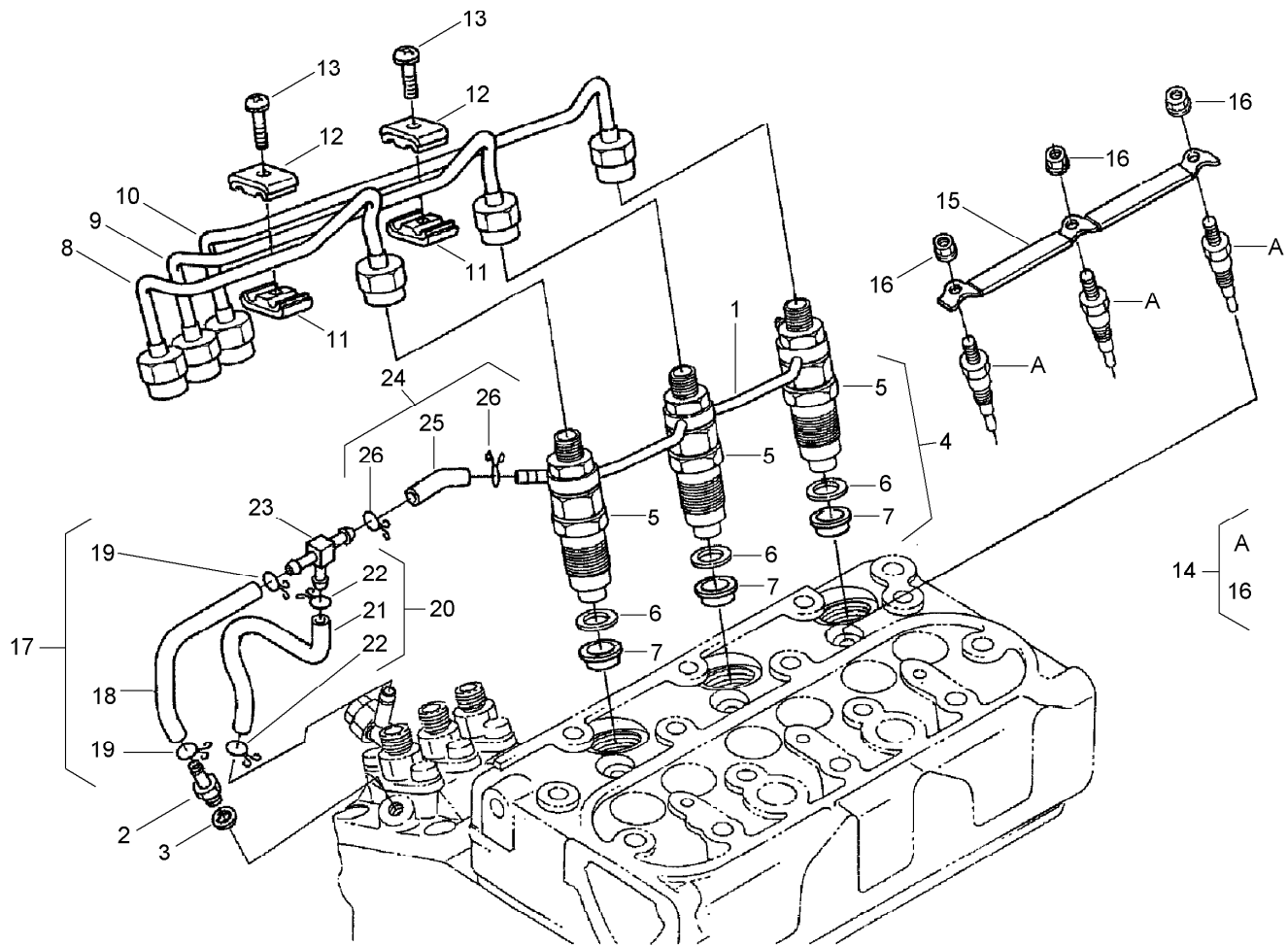
<i>Ref.</i>	<i>Part Number</i>	<i>Qty.</i>	<i>Description</i>
1	110-3764	1	Joint
2	110-3765	1	Injection Pump ASM
3	100-1951	1	Shim-Pump, Injection
4	100-1952	1	Shim-Pump, Injection
5	98-9458	1	Shim-Injection (0.30Mm)
6	98-9361	2	Bolt-HSH
7	98-9438	2	Stud
8	98-9440	2	Nut-Cap
9	98-7515	4	Washer-Spring
10	100-1896	1	Screw-Hollow
11	98-9445	2	Gasket
12	98-9430	1	Screw
13	98-9446	1	Gasket

<i>Ref.</i>	<i>Part Number</i>	<i>Qty.</i>	<i>Description</i>
14	98-9466	1	Plug
15	98-9451	1	Gasket
16	110-3766	1	Spring-Start
17	110-3767	1	Spring-Governor
18	110-3768	1	Fork Lever ASM
19	100-1905	1	Fork Lever ASM
20	100-1907	1	Lever-Fork
21	100-1908	1	Shaft-Lever, Fork
22	100-1751	1	Pin-Spring
23	100-1845	1	Bolt
24	100-1783	1	*obs* Washer-Spring
25	100-1909	1	Holder-Lever, Fork
26	100-1763	2	Bolt



Speed Control Plate Assembly

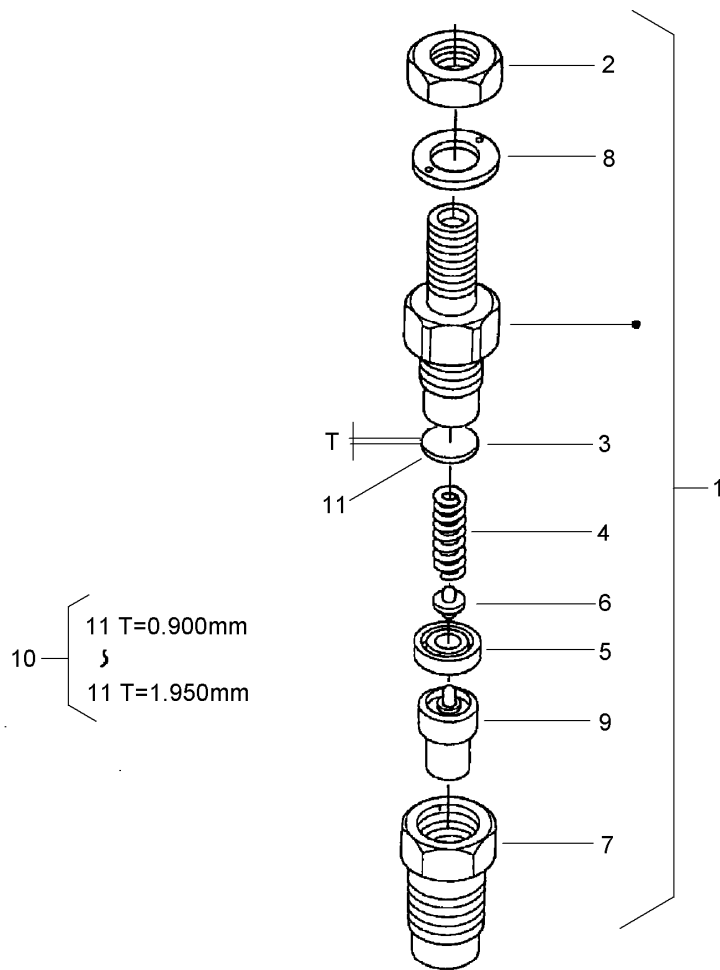
<i>Ref.</i>	<i>Part Number</i>	<i>Qty.</i>	<i>Description</i>
1	110-3769	1	Speed Control Plate ASM
2	110-3770	1	Plate-Control, Speed
3	110-3771	1	Lever-Governor
4	110-3772	1	Collar
5	100-2208	1	O-Ring
6	110-3773	1	Lever-Control, Speed
7	110-3774	1	Nut-Control, Speed
8	110-3775	1	Shaft-Lever
9	110-3776	1	Lever-Stop, Engine
10	110-3777	1	Pin-Spring
11	100-2207	1	O-Ring
12	110-3778	1	Spring-Return
13	110-3779	1	Cap
14	100-1962	1	Gasket-Plate, Control
15	98-7605	2	Bolt
16	99-8348	2	Bolt
17	98-7654	2	Gasket



Nozzle Holder and Glow Plug Assembly

Ref.	Part Number	Qty.	Description
1	110-3780	1	Over Flow Pipe ASM
2	98-9431	1	Screw-Bleeder, Air
3	98-7654	1	Gasket
4	100-1982	3	Nozzle Holder Kit
5	100-1760	3	Nozzle Holder ASM
6	98-7676	3	Gasket
7	98-7677	3	Seal-Heat
8	110-3781	1	Pipe-Injection
9	110-3782	1	Pipe-Injection
10	110-3783	1	Pipe-Injection
11	98-7682	2	Clamp-Pipe
12	98-7683	2	Clamp-Pipe
13	98-7684	2	Screw (W/Washer)

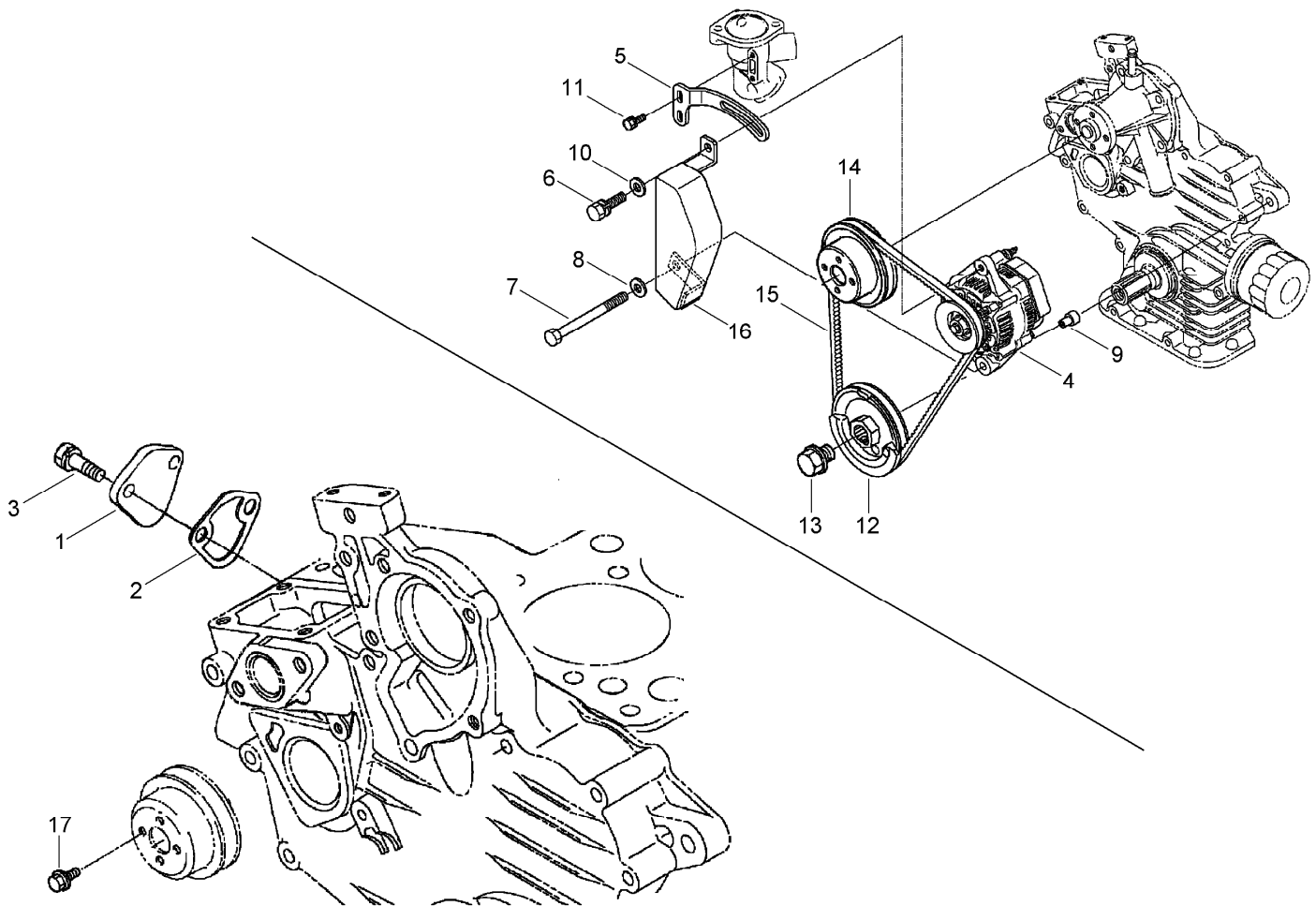
Ref.	Part Number	Qty.	Description
14	98-7685	3	Plug-Glow
15	110-3784	1	Cord-Plug, Glow
16	99-8377	3	Nut-Flange
17	110-3785	1	Fuel Tube ASM
18	110-3786	1	Tube-Fuel
19	98-7671	4	Clip-Pipe
20	110-3787	1	Fuel Tube ASM
21	110-3788	1	Tube-Fuel
22	98-7671	2	Clip-Pipe
23	110-3789	1	Joint-T Pipe
24	110-3790	1	Fuel Tube ASM
25	110-3791	1	Tube-Fuel
26	98-9545	2	Band-Pipe



Nozzle Holder Assembly

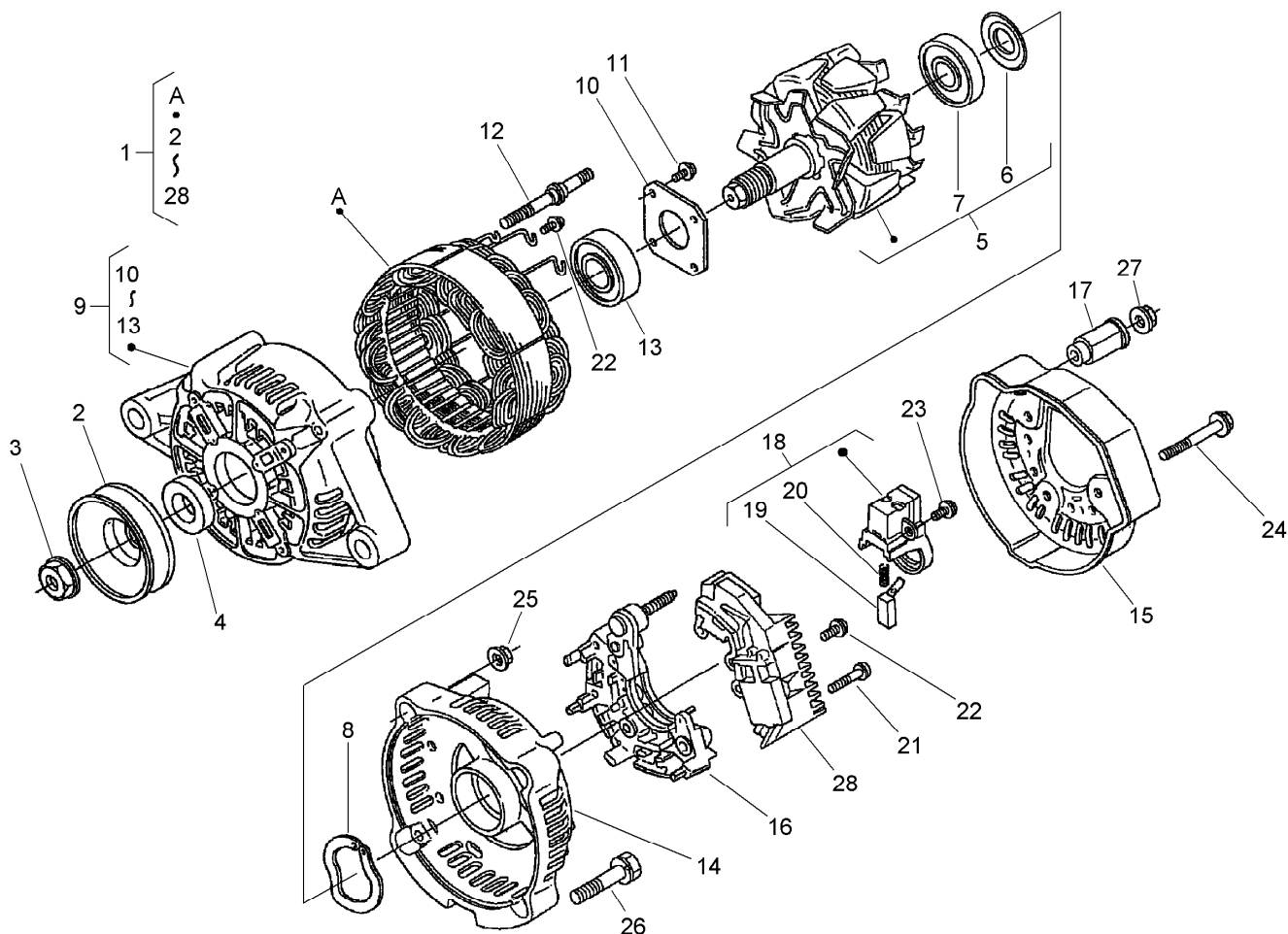
Ref.	Part Number	Qty.	Description
1	100-1760	3	Nozzle Holder ASM
2	98-7613	3	Nut
3	98-7642	3	Washer-Adjusting
4	98-7647	3	Spring-Nozzle
5	98-7665	3	Spacer-Distance
6	98-7666	3	Rod-Push
7	98-7667	3	Nut-Nozzle
8	98-7668	3	Washer
9	100-2009	3	Piece-Nozzle
10	98-9448	3	Adjusting Washer ASM
11	98-7642	3	Washer-Adjusting
11	98-7841	3	Washer-Adjusting
11	98-7842	3	Washer-Adjusting
11	98-7843	3	Washer-Adjusting
11	98-7844	3	Washer-Adjusting
11	98-7845	3	Washer-Adjusting
11	98-7846	3	Washer-Adjusting
11	98-7847	3	Washer-Adjusting
11	98-7848	3	Washer-Adjusting
11	98-7849	3	Washer-Adjusting
11	98-7850	3	Washer-Adjusting
11	98-7851	3	Washer-Adjusting
11	98-7852	3	Washer-Adjusting
11	98-7853	3	Washer-Adjusting
11	98-7854	3	Washer-Adjusting
11	98-7855	3	Washer-Adjusting
11	98-7856	3	Washer-Adjusting

Ref.	Part Number	Qty.	Description
11	98-7857	3	Washer-Adjusting
11	98-7858	3	Washer-Adjusting
11	98-7859	3	Washer-Adjusting
11	98-7860	3	Washer-Adjusting
11	98-7861	3	Washer-Adjusting
11	98-7862	3	Washer-Adjusting
11	98-7863	3	Washer-Adjusting
11	98-7864	3	Washer-Adjusting
11	98-7865	3	Washer-Adjusting
11	98-7866	3	Washer-Adjusting
11	98-7867	3	Washer-Adjusting
11	98-7868	3	Washer-Adjusting
11	98-7869	3	Washer-Adjusting
11	98-7870	3	Washer-Adjusting
11	98-7871	3	Washer-Adjusting
11	98-7872	3	Washer-Adjusting
11	98-7873	3	Washer-Adjusting
11	98-7874	3	Washer-Adjusting
11	98-7875	3	Washer-Adjusting
11	98-7876	3	Washer-Adjusting
11	98-7877	3	Washer-Adjusting
11	98-7878	3	Washer-Adjusting
11	98-7879	3	Washer-Adjusting
11	98-7880	3	Washer-Adjusting
11	98-7881	3	Washer-Adjusting
11	98-7882	3	Washer-Adjusting



Alternator, Pulley and Fuel Pump Cover Assembly

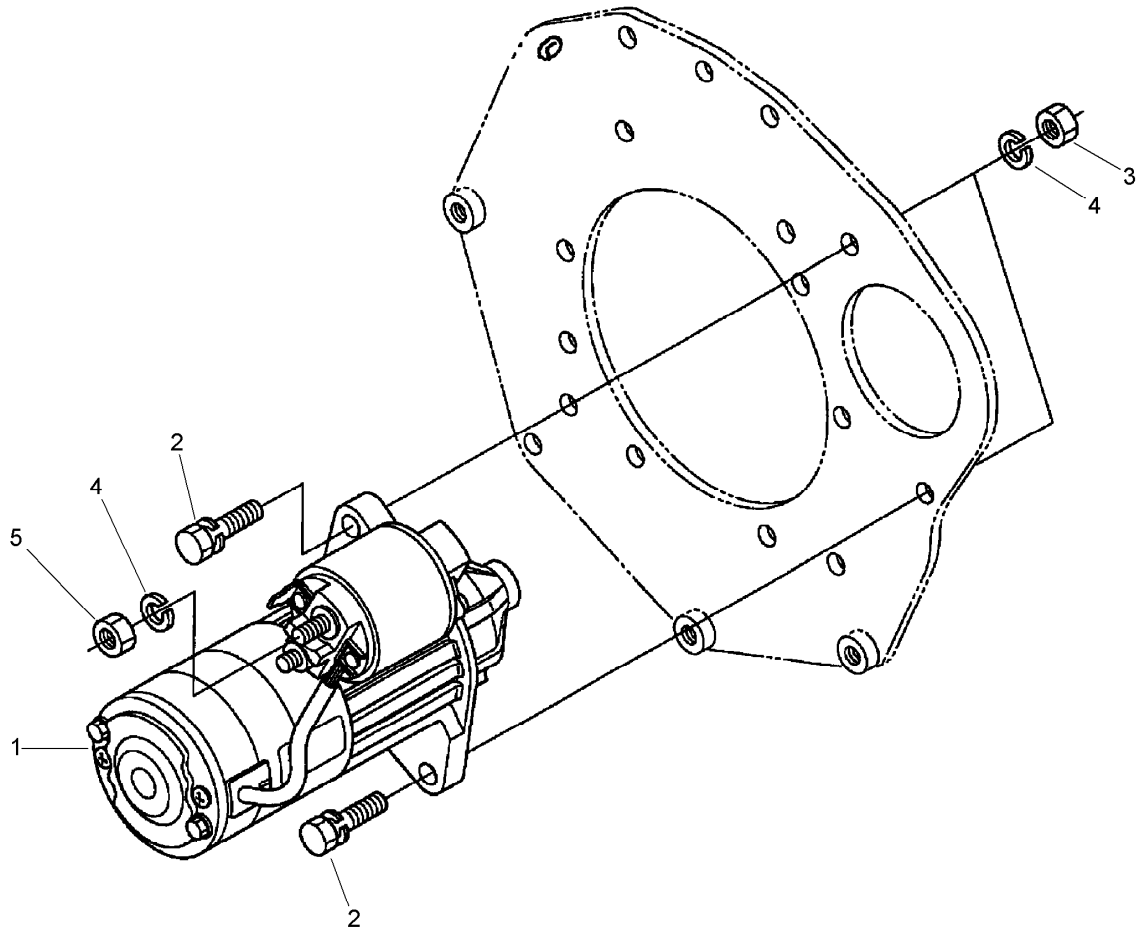
<i>Ref.</i>	<i>Part Number</i>	<i>Qty.</i>	<i>Description</i>
1	99-3514	1	Cover
2	100-1961	1	Gasket-Pump, Fuel
3	98-7692	2	Bolt
4	98-9474	1	Alternator ASM
5	110-3792	1	Stay-Alternator
6	98-7697	1	Bolt
7	110-3793	1	Bolt
8	98-7660	1	Washer-Plain
9	110-3794	1	Collar
10	100-9233	1	Washer-Plain
11	98-7692	2	Bolt
12	110-3795	1	Pulley-Drive, Fan
13	100-1978	1	Bolt
14	100-1921	1	Pulley-Fan
15	110-3796	1	Belt-V
16	110-3797	1	Cover
17	99-8363	4	Bolt-Flange



Alternator Assembly

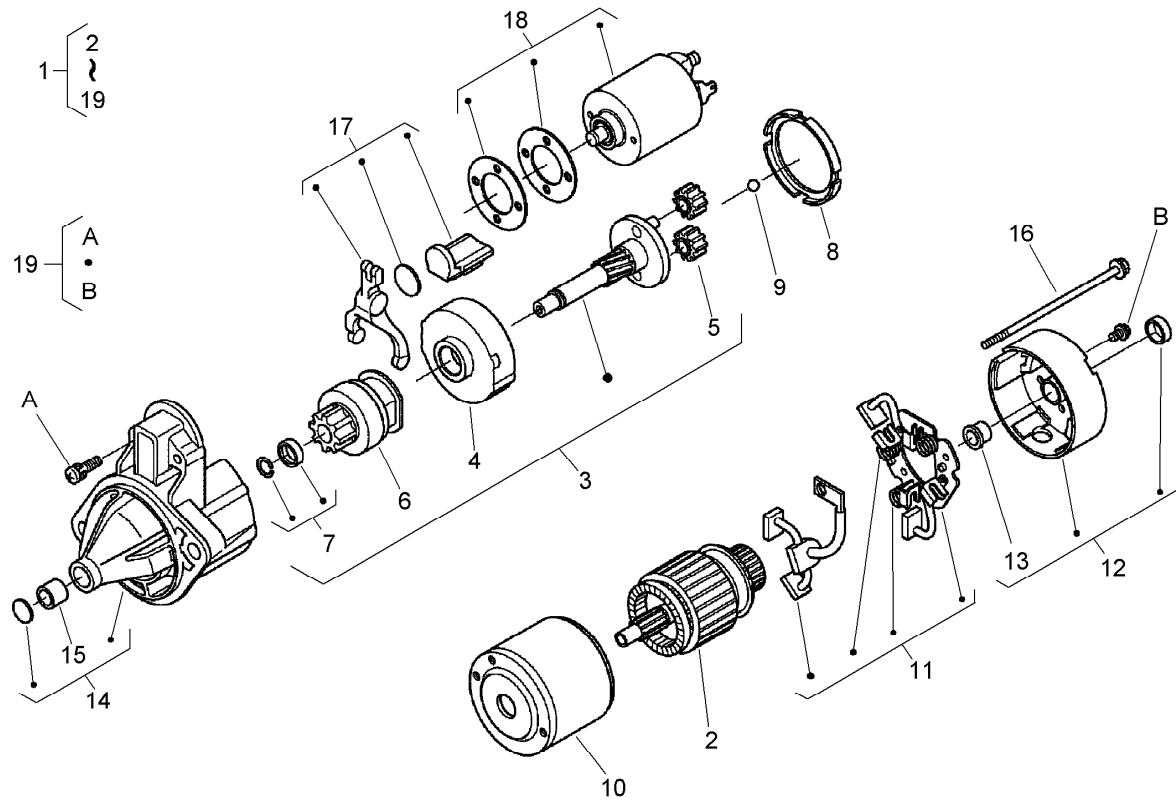
<i>Ref.</i>	<i>Part Number</i>	<i>Qty.</i>	<i>Description</i>
1	98-9474	1	Alternator ASM
2	98-9453	1	Pulley-Dynamo
3	98-7708	1	Nut
4	98-7709	1	Collar
5	107-0136	1	Rotor ASM
6	98-7711	1	Cover-Bearing
7	107-0138	1	Bearing-Ball
8	98-7713	1	Washer-Thrust
9	107-0139	1	Drive End Frame ASM
10	98-7715	1	Plate-Retainer
11	98-7716	4	Screw-Head, Round
12	98-7717	2	Bolt-Through
13	107-0137	1	Bearing-Ball
14	107-9087	1	Frame-End

<i>Ref.</i>	<i>Part Number</i>	<i>Qty.</i>	<i>Description</i>
15	107-0140	1	Cover-End
16	98-7721	1	Rectifier ASM
17	98-7722	1	Bushing-Insulation
18	107-0141	1	Brush Holder ASM
19	98-7724	2	Brush
20	98-7725	2	Spring-Brush
21	98-7726	2	Screw-Head, Round
22	98-7727	6	Screw-Head, Round
23	98-7728	1	Screw-Head, Round
24	98-7729	3	Bolt
25	98-7730	2	Nut
26	98-7731	2	Bolt
27	98-7732	1	Nut
28	110-3799	1	Regulator ASM



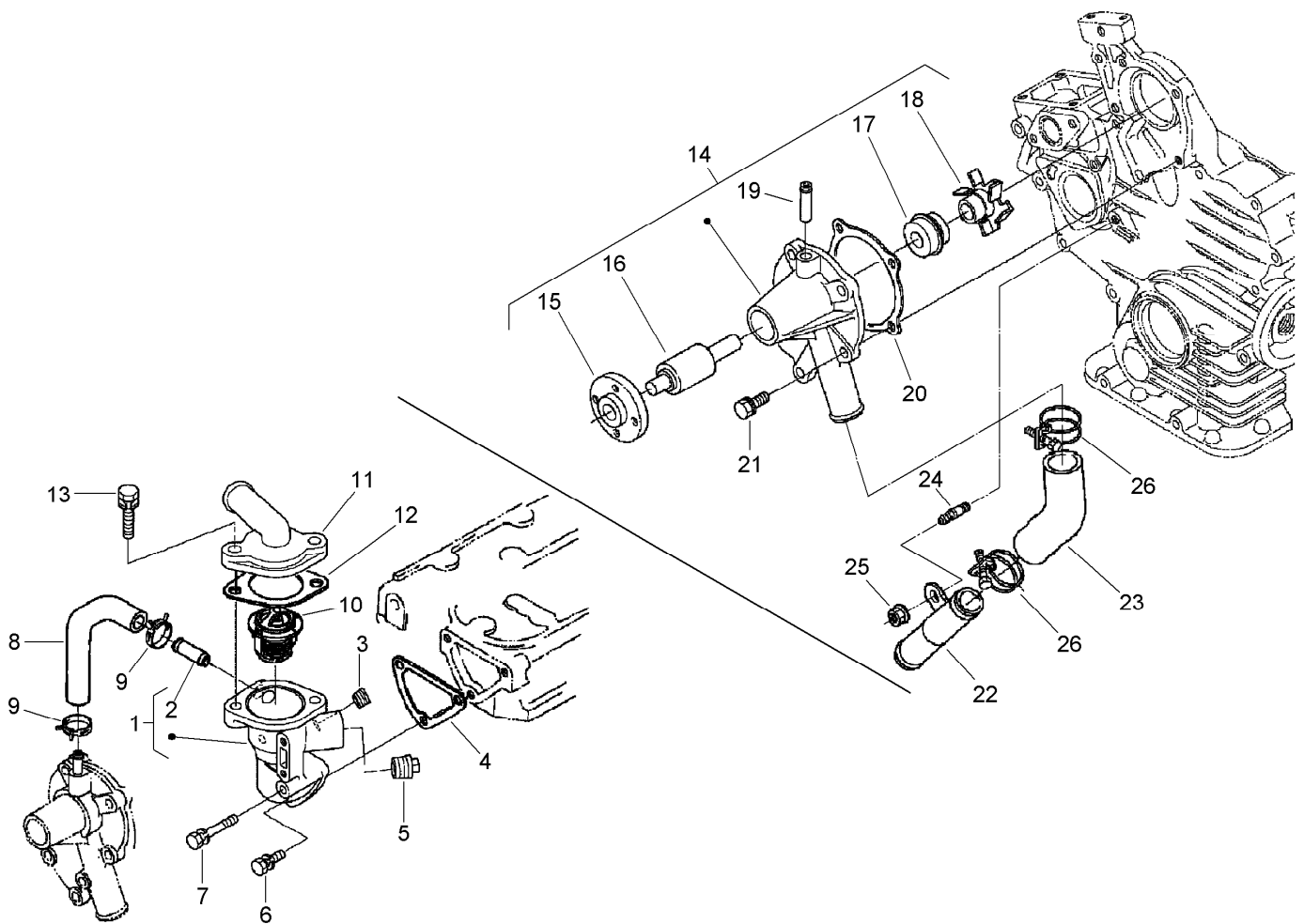
Starter Installation Assembly

<i>Ref.</i>	<i>Part Number</i>	<i>Qty.</i>	<i>Description</i>
1	110-3800	1	Starter ASM
2	98-7697	2	Bolt
3	98-7534	2	Nut
5	98-7534	2	Nut



Starter Assembly

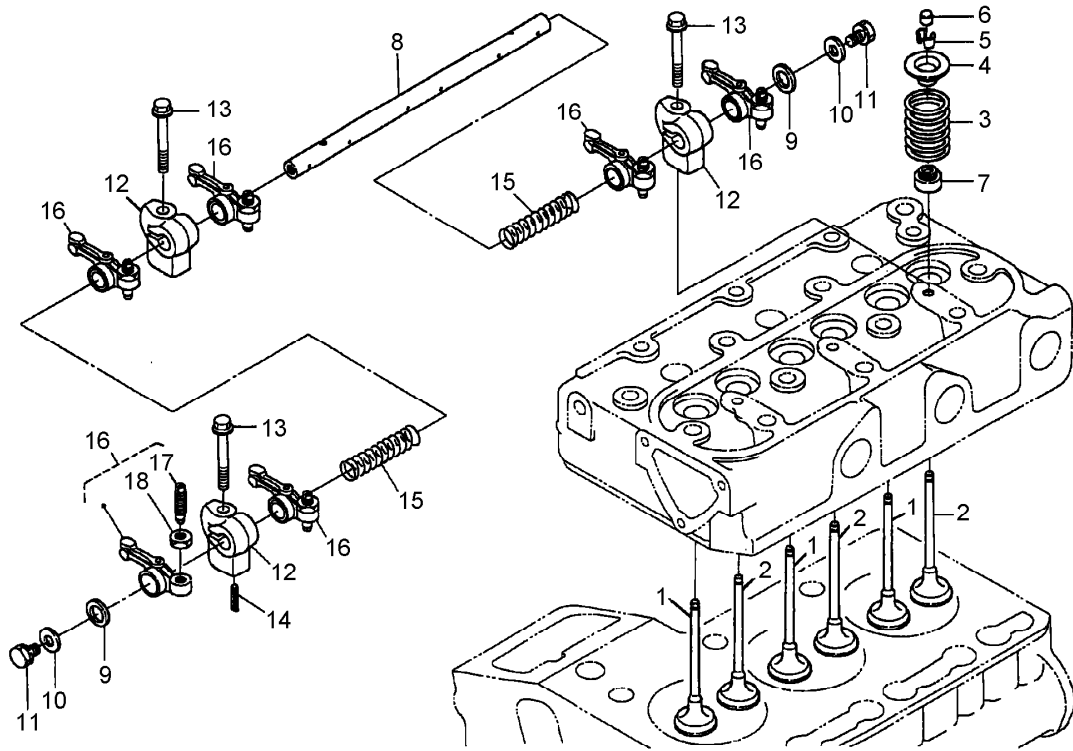
Ref.	Part Number	Qty.	Description
1	110-3800	1	Starter ASM
2	110-3801	1	Armature
3	110-3802	1	Shaft ASM
4	110-3803	1	Gear-Internal
5	110-3804	3	Gear-Planetary
6	110-3805	1	Clutch-Running, Over
7	110-3806	1	Stopper
8	110-3807	1	Gasket
9	110-3808	1	Ball
10	110-3809	1	Yoke
11	110-3810	1	Brush Holder ASM
12	110-3811	1	Rear Bracket ASM
13	110-3812	1	Bushing
14	110-3813	1	Front Bracket ASM
15	110-3814	1	Bushing
16	110-3815	2	Bolt
17	110-3816	1	Lever-Fork
18	110-3817	1	Switch-Magnetic
19	110-3818	1	Screw-Head, Pan



Water Flange, Pump, Pipe and Thermostat Assembly

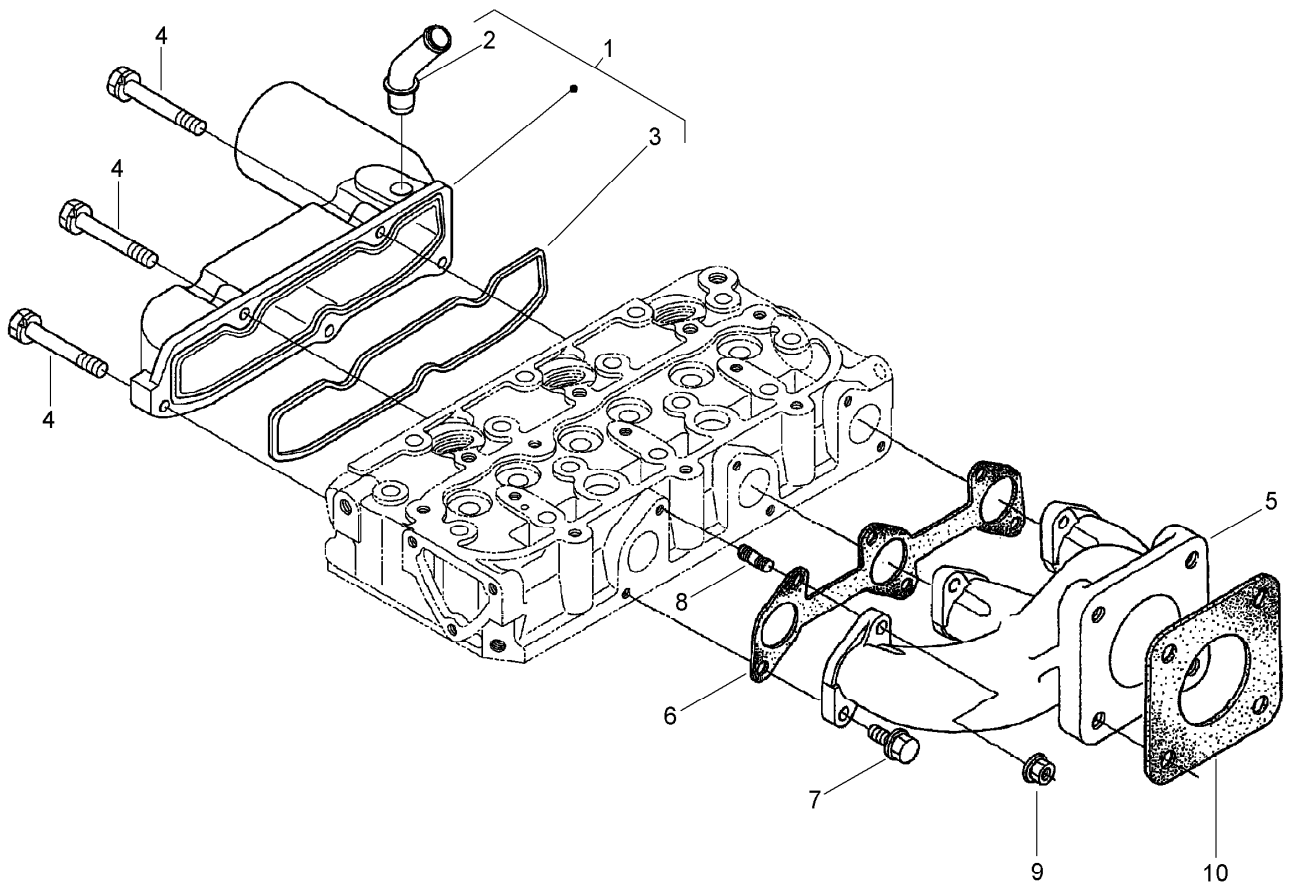
Ref.	Part Number	Qty.	Description
1	110-3819	1	Flange-Water
2	98-9580	1	Pipe-Return, Water
3	98-9444	1	Plug
4	110-3820	1	Gasket-Flange, Water
5	110-3821	1	Plug
6	98-7692	2	Bolt
7	98-9355	1	Bolt
8	110-3822	1	Pipe-Return, Water
9	98-9579	2	Band-Pipe
10	98-7778	1	Thermostat ASM
11	110-3823	1	Cover-Thermostat
12	98-7776	1	Gasket
13	98-7777	2	Bolt

Ref.	Part Number	Qty.	Description
14	110-3824	1	Water Pump ASM
15	100-1933	1	Flange-Pump, Water
16	100-1934	1	Bearing-Ball
17	99-3518	1	Water Pump Seal ASM
18	110-3825	1	Impeller-Pump, Water
19	100-1932	1	Pipe-Return, Water
20	110-3826	1	Gasket-Pump, Water
21	100-1750	4	Bolt
22	100-1918	1	Pipe-Water
23	110-3827	1	Pipe-Water
24	100-1924	1	Stud
25	100-2203	1	Nut-Flange
26	110-3828	2	Band-Pipe



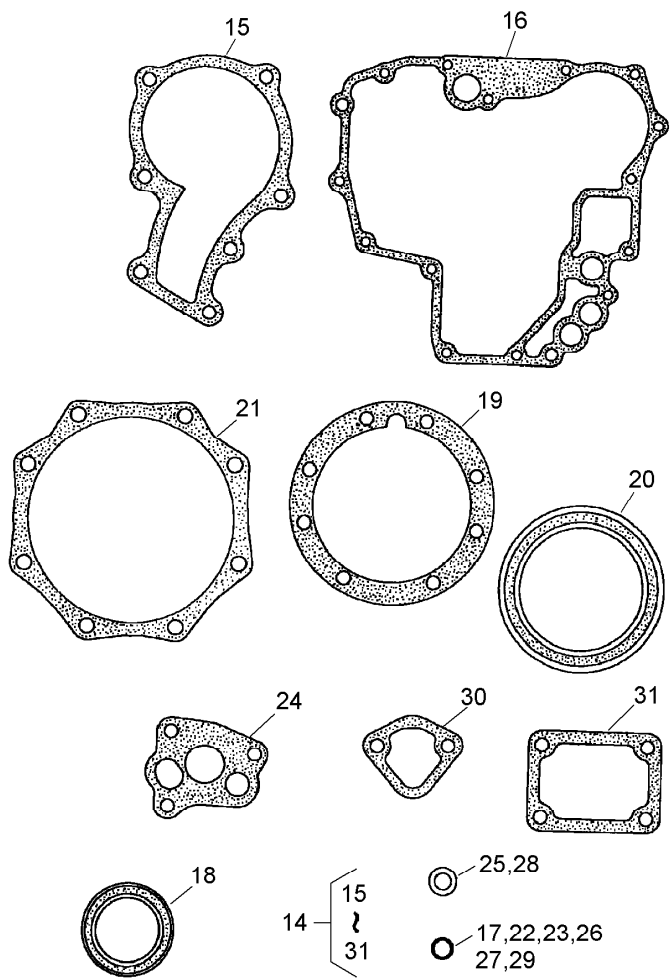
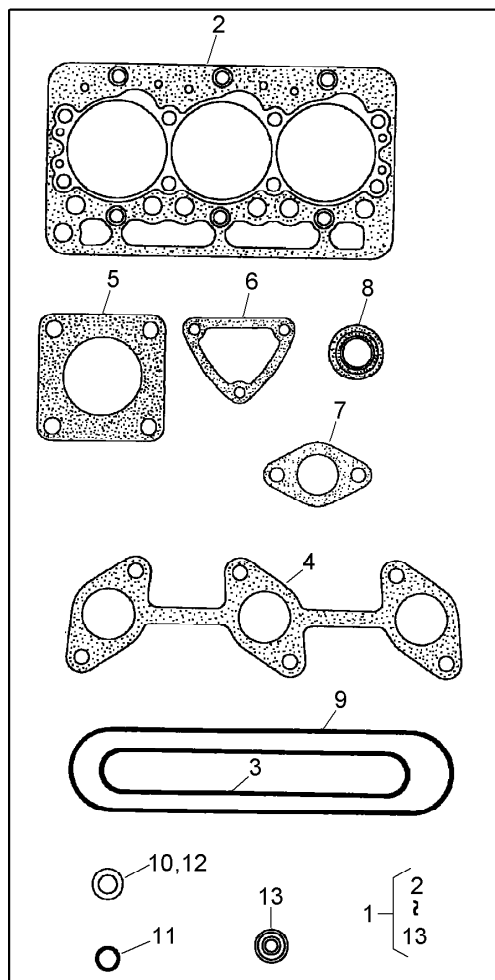
Valve and Rocker Arm Assembly

Ref.	Part Number	Qty.	Description
1	112-2514	3	Valve-Inlet
2	112-2515	3	Valve-Exhaust
3	100-1823	6	Spring-Valve
4	100-1825	6	Retainer-Spring, Valve
5	100-1826	6	Collet-Spring, Valve
6	100-1824	6	Cap-Valve
7	100-1797	6	Seal-Stem, Valve
8	110-3831	1	Shaft-Arm, Rocker
9	100-2044	2	Washer
10	110-3832	2	Washer-Plain
11	100-1762	2	Bolt
12	110-3833	3	Bracket-Arm, Rocker
13	110-3834	3	Bolt-Flange
14	98-7602	1	Pin-Spring
15	110-3835	2	Spring
16	100-1884	6	Rocker Arm ASM
17	100-1885	6	Screw-Adjusting
18	100-1827	6	Nut



Inlet and Exhaust Manifold Assembly

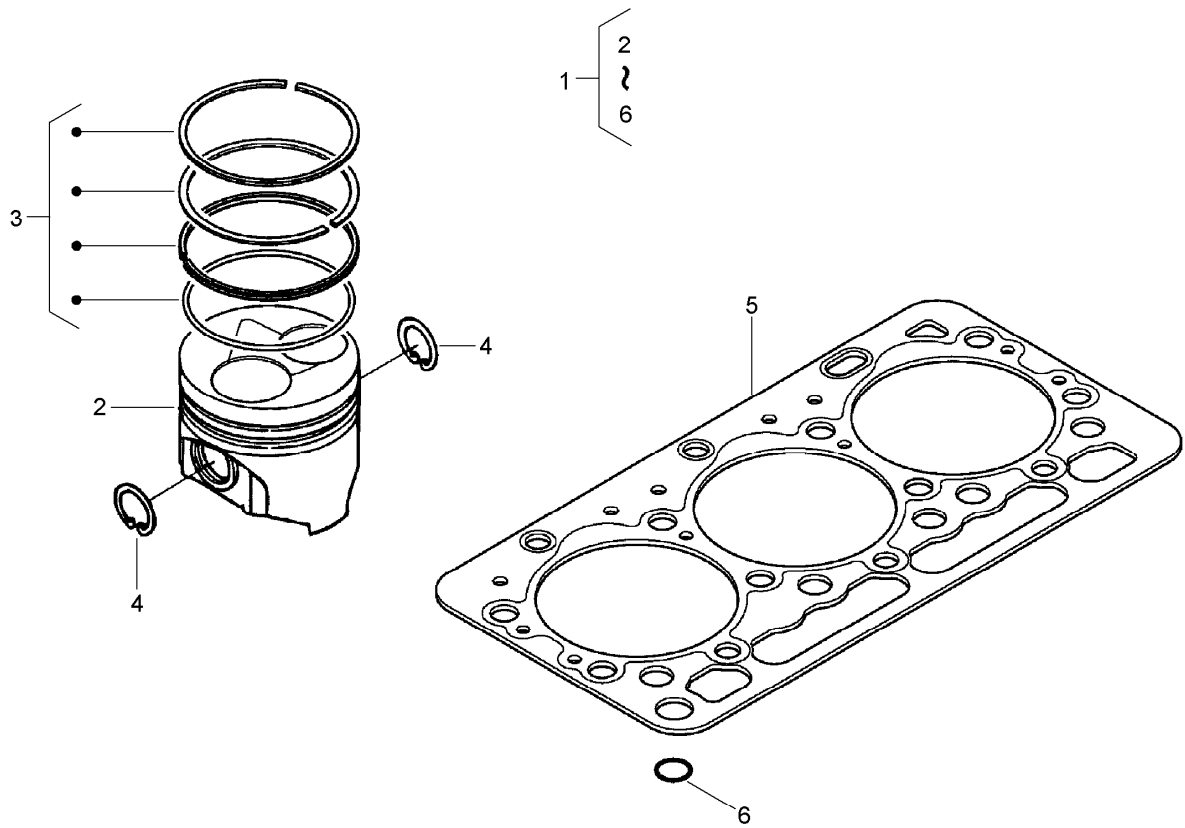
<i>Ref.</i>	<i>Part Number</i>	<i>Qty.</i>	<i>Description</i>
1	110-3836	1	Inlet Manifold ASM
2	110-3837	1	Pipe-Breather
3	110-3838	1	Gasket-Manifold, Intake
4	98-9352	5	Bolt
5	110-3839	1	Manifold-Exhaust
6	110-3840	1	Gasket-Manifold, Exhaust
7	100-1775	3	Bolt
8	100-2202	3	Stud
9	100-1778	3	Nut
10	99-8343	1	Gasket-Muffler



Gasket Kit

Ref.	Part Number	Qty.	Description
1	110-3844	1	Upper Gasket Kit
2	110-3706	1	Gasket-Head, Cylinder
3	110-3838	1	Gasket-Manifold, Intake
4	110-3840	1	Gasket-Manifold, Exhaust
5	99-8343	1	Gasket-Muffer
6	110-3820	1	Gasket-Flange, Water
7	98-7776	1	Gasket
8	100-1797	6	Seal-Stem, Valve
9	110-3717	1	Gasket-Cover, Head
10	110-3846	1	O Ring-Breather
11	99-3446	1	O-Ring
12	98-7676	3	Gasket
13	98-7677	3	Seal-Heat
14	110-3847	1	Lower Gasket Kit
15	100-1976	1	Gasket-Pump, Water
16	110-3707	1	Case-Gear

Ref.	Part Number	Qty.	Description
17	98-7509	1	O-Ring
18	100-1971	1	Seal-Oil
19	100-1873	1	Gasket-Case, Bearing
20	110-3724	1	Seal-Oil
21	100-1876	1	Gasket-Case, Bearing
22	100-1785	3	O-Ring
23	100-2209	1	O-Ring
24	100-1958	1	Gasket-Pump, Oil
25	98-7654	3	Gasket
26	100-2208	1	O-Ring
27	100-2207	1	O-Ring
28	98-9399	3	Gasket
29	100-2205	1	O-Ring
30	100-1961	1	Gasket-Pump, Fuel
31	100-1962	1	Gasket-Plate, Control



Piston Kit

<i>Ref.</i>	<i>Part Number</i>	<i>Qty.</i>	<i>Description</i>
1	110-3848	1	Piston Kit
2	112-8398	3	Piston STD
3	110-3732	3	Piston Ring ASM (STD)
4	100-1835	6	Clip-Pin, Piston
5	110-3706	1	Gasket-Head, Cylinder
6	98-7509	1	O-Ring

Attachments and Accessories

For 74264TE Z580-D Z Master, With 132cm TURBO FORCE Side Discharge Mower

Product Name	Model/Part
Blade-Recycler, 18 inch	105-7779-03
Blade-Hi Flow, 18 Inch	105-7781-03
Blade-Med Flow, 18 inch.....	105-7794-03
Blade-Low Flow, 18 inch	105-7795-03
Blade-Atomic, 18 inch.....	105-7796-03
Recycler Kit	107-1610
Striping Kit	107-1630
Light Kit.....	107-9880
Blade-Hi Flow, 18 inch (6 Pack)	108-1117
Blade-Atomic, 18 inch (6 Pack).....	108-1118
Roller Striping Kit.....	108-2162
Blade-Lo Flow, 18 inch (6 Pack)	110-0406
Blade-Recycler, 18 inch (6 Pack).....	110-0408
Blade-Med Flow, 18 inch (6 Pack)	110-0409
DFS Pulley Kit.....	110-3944
DFS Bagger Gusset Kit.....	110-3946
Bimini Sunshade.....	110-5726
Vac Collection System	78514
Chute Gate Kit	78521
Filter Minder Gauge	99-4664
Hitch Kit	99-8925

Notes:

Notes:



Count on it.