



**Count on it.**

**Parts Catalog**

**Z580-D Z Master®**

**With 72in TURBO FORCE® Side Discharge  
Mower**

**Model No. 74274—Serial No. 280000001 and Up**

# Ordering Replacement Parts

To order replacement parts, please supply the part number, the quantity, and the description of each part desired.

## Understanding Reference Numbers

Each identified part in an illustration has a reference number. The reference number for a part also appears in the parts list, along with other information about the part.

This catalog uses two special reference number formats, one to indicate parts in a service assembly and another to indicate the quantity of a given part in an illustration.

## Service Assembly Reference Numbers

Parts in service assemblies have reference numbers in the form a:b. The a represents the reference number of the entire service assembly and the b represents a sequential number unique to each part within the service assembly.

For example, a wheel assembly might be identified by reference number 6, the tire by 6:1, the valve by 6:2, and the wheel by 6:3. When you order the assembly identified by reference number 6, you receive all parts identified by reference numbers 6:1, 6:2, and 6:3. However, you may also order any part individually. Reference numbers of this type appear in illustration and in parts lists.

## Reference Numbers Indicating Quantity

In an illustration, if a reference number indicates more than one part, the reference number has the form nX y. The n represents the quantity of the part, the X is the multiplication symbol, and the y represents the reference number.

For example, in an illustration, the reference number 2X 37 means that two of the parts identified by reference number 37 are indicated.

# List of Abbreviations

**AR:** as required

**ASM:** assembly

**BBC:** blade brake control

**BHTF:** button head thread forming

**CARR:** carriage

**CCW:** counter clockwise

**CW:** clockwise

**DEG:** degrees

**ECM:** electronic control module

**EXT:** external

**FH:** flat head

**GA:** gauge

**HD:** heavy-duty

**HF:** hex flange

**HH:** hex head

**HHF:** hex head flange

**HHFTF:** hex head flange thread forming

**HJ:** hex jam

**HLH:** hex lag head

**HOC:** height-of-cut

**HSBH:** hex socket button head

**HSFH:** hex socket flat head

**HSH:** hex socket head

**HWH:** hex washer head

**HWHTF:** hex washer head thread forming

**HYD:** hydraulic

**LH:** left hand

**LP:** Liquid Propane

**NI:** nylon insert

**NPTF:** national pipe thread fine

**PFH:** phillips flat head

**PPH:** phillips pan head

**PPHTF:** phillips pan head thread forming

**PRH:** phillips round head

**PTH:** phillips truss head

**PTO:** power-take-off

**RH:** right hand

**ROPS:** roll-over protection system

**RRB:** rear roller brush

**SFH:** slotted fillister head

**SHH:** slotted hex head

**SHWH:** slotted hex washer head

**SPH:** slotted pan head

**SQH:** square head

**SRH:** slotted round head

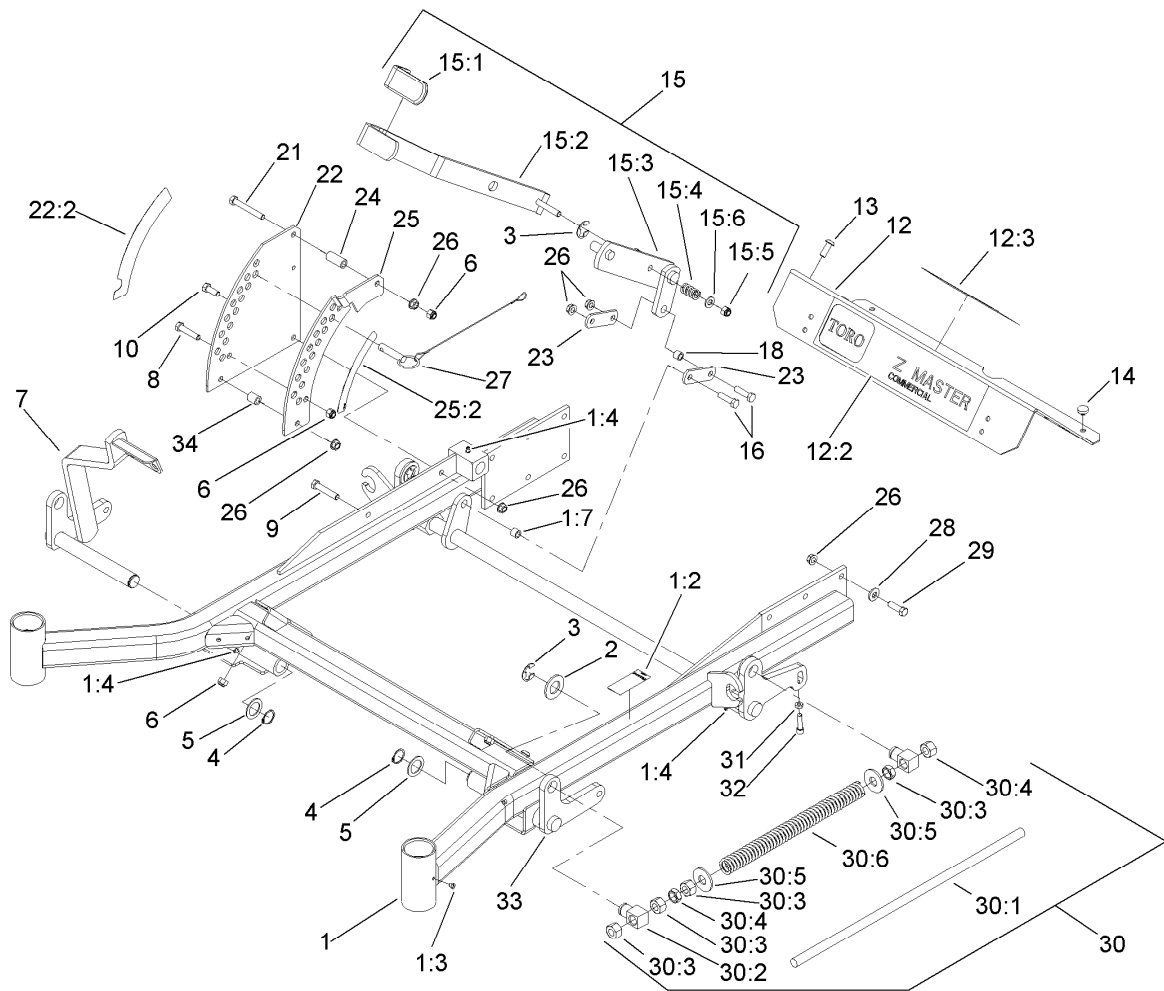
**STD:** standard

**TAP:** self tapping

**TTH:** torx truss head

# Contents

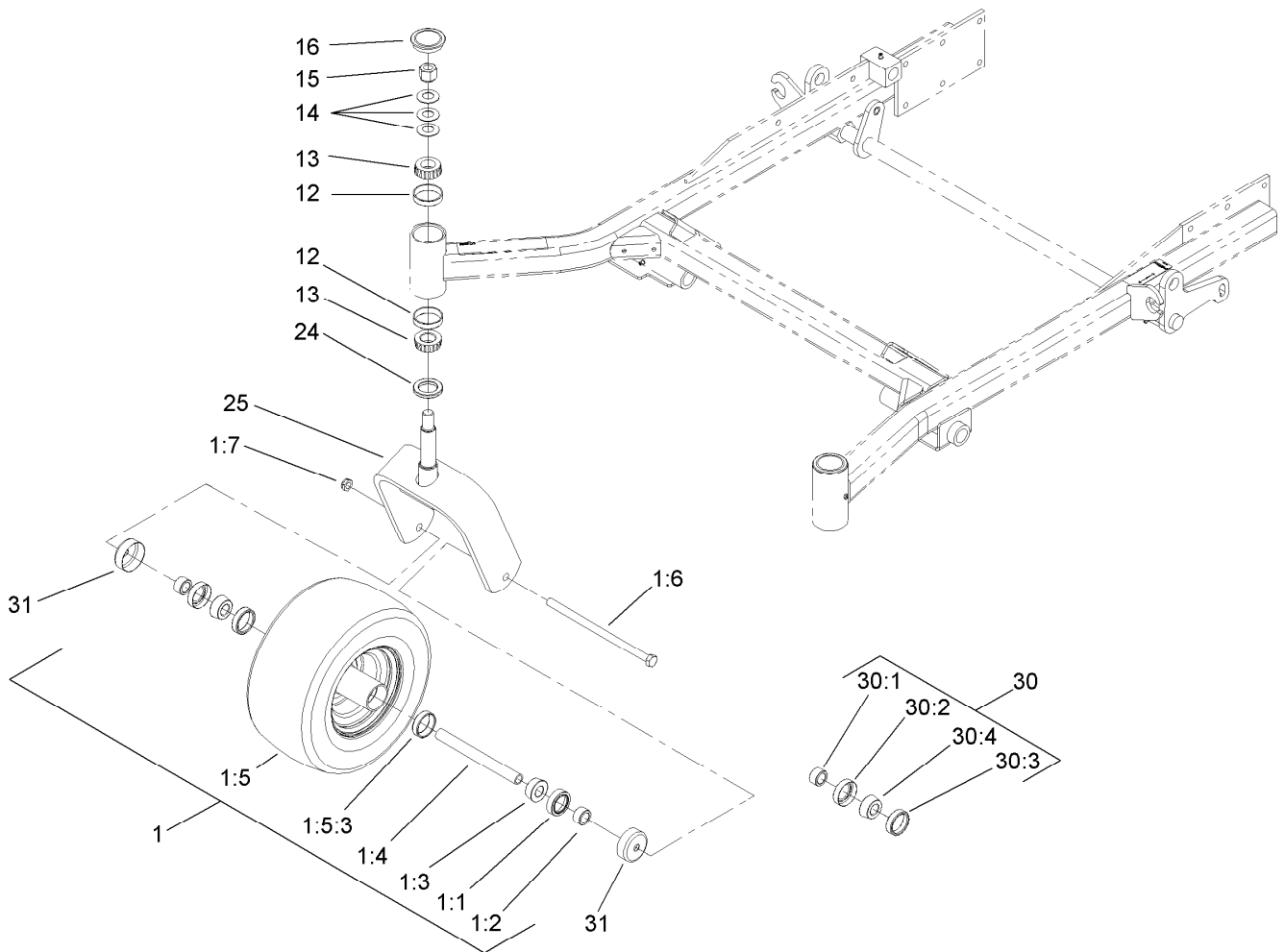
Front Frame Assembly	4
Caster Wheel and Fork Assembly	5
Traction Frame and Floor Pan Assembly	6
Seat and Roll-Over Protection System Assembly	7
Seat and Bracket Assembly No. 110-0446	8
Roll-Over Protection System Assembly No. 110-0877	9
Main Frame and Rear Wheel Assembly	10
Hydro Control Assembly	11
Engine, Exhaust and Air Intake Assembly	12
Air Cleaner Assembly No. 93-2190	13
Hydro and Gearbox Assembly	14
Gearbox Assembly No. 107-9887	15
Hydraulic Tank, Pump and Motor Assembly	16
Tandem Pump Assembly No. 107-9885	18
Hydraulic Motor Assembly No. 112-8357 (CCW)	19
Hydraulic Motor Assembly No. 112-8358 (CW)	20
Hydraulic Hose Assembly	21
Control Panel and Fuel System Assembly	22
Engine Housing Assembly	23
Cooling System Assembly	24
Hood Assembly	25
Deck Connection Assembly	26
Deck Assembly	27
Spindle Assembly No. 110-3933	29
Deck Decal Assembly No. 112-8359	30
Rubber Deflector Assembly No. 108-2792	31
Lever Assembly No. 107-1664	32
Electrical Assembly	33
Crankcase Assembly	34
Oil Pan Assembly	35
Cylinder Head Assembly	36
Gear Case and Oil Filter Cartridge Assembly	37
Head Cover Assembly	38
Dipstick, Guide and Oil Pump Assembly	39
Main Bearing Case Assembly	40
Camshaft and Idle Gear Shaft Assembly	41
Piston and Crankshaft Assembly	42
Flywheel, Fuel Camshaft and Governor Shaft Assembly	43
Idle Apparatus and Stop Solenoid Assembly	44
Injection Pump and Governor Assembly	45
Speed Control Plate Assembly	46
Nozzle Holder and Glow Plug Assembly	47
Nozzle Holder Assembly	48
Fuel Pump and Filter Assembly	49
Alternator, Pulley and Fuel Pump Cover Assembly	50
Alternator Assembly	51
Start Installation Assembly	52
Starter Assembly	53
Water Flange, Pump, Pipe and Thermostat Assembly	54
Valve and Rocker Arm Assembly	55
Inlet and Exhaust Manifold Assembly	56
Gasket Kit	57
Piston Kit	58
Attachments and Accessories	59



## Front Frame Assembly

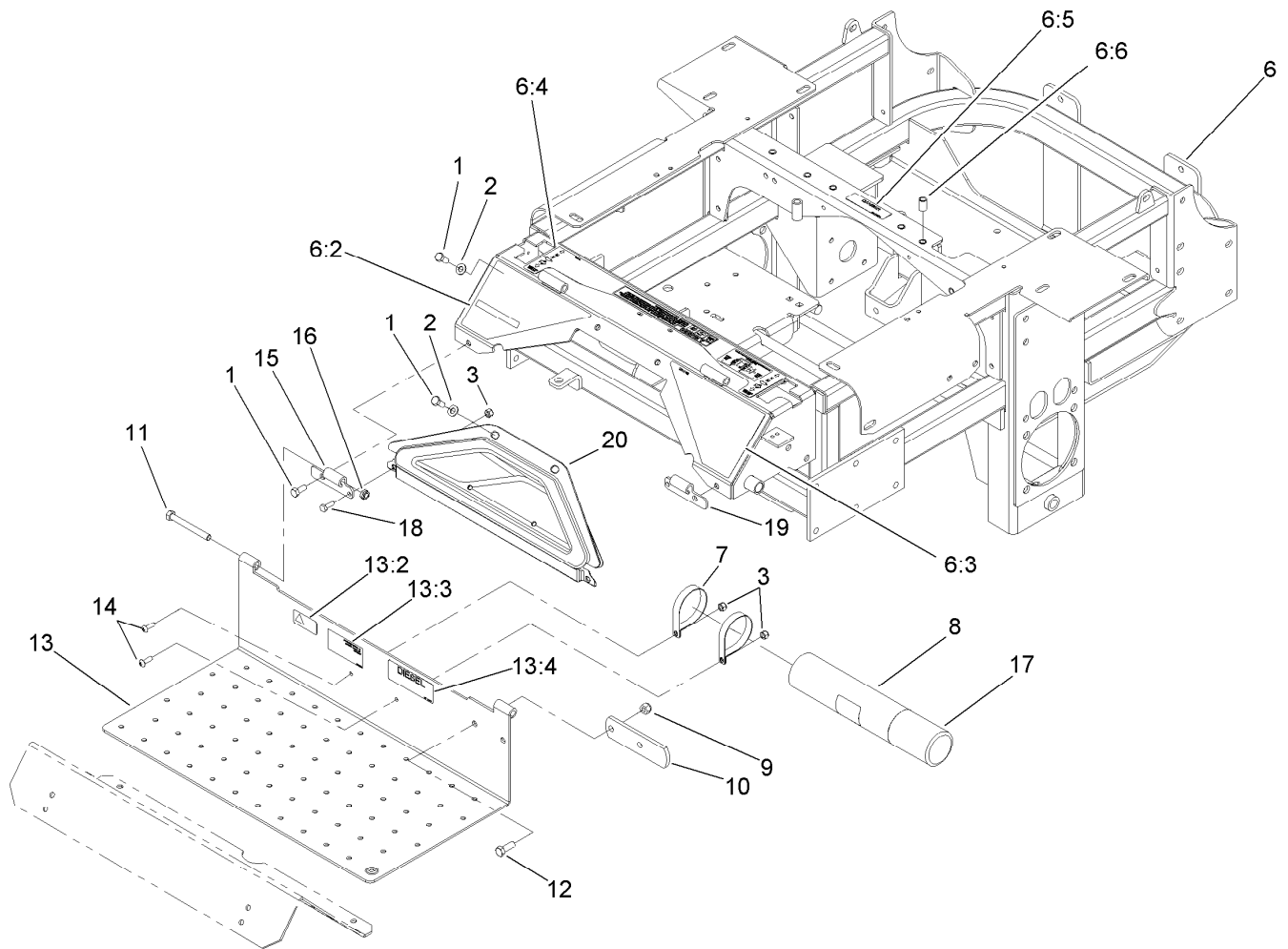
Ref.	Part Number	Qty.	Description	Ref.	Part Number	Qty.	Description
1	114-1248	1	Frame ASM	15:6	3256-24	1	Washer-Flat
1:2	107-1857	1	Decal-Brake, Parking	16	323-29	2	Screw-HH
1:3	1-811010	2	Plug	18	103-1918	1	Bushing
1:4	302-19	5	Fitting-Grease	21	323-13	1	Screw-HH
1:7	103-1918	1	Bushing	22	110-0833	1	Plate-Deck Lift, Outer
2	3256-29	4	Washer-Flat	23	1-633068	2	Arm-Lift, Deck
3	32151-103	5	Ring-Retaining, EXT	24	1-633082	1	Bushing-Lever, Lift
4	32151-29	2	Ring-Retaining	25	110-0834	1	Plate-Deck Lift, Inner
5	1-523157	2	Washer-Spacer	25:2	107-1861	1	Decal-Height, Deck
6	3296-39	6	Nut-Lock, NI	26	3290-357	17	Nut-HHF, Whiz
7	108-7786-01	1	RH Front Deck Lift ASM	27	106-9951	1	Hitch Pin ASM
8	323-9	1	Screw-HH	28	98-5975	12	Washer-Belleville
9	323-10	1	Screw-HH	29	323-7	12	Screw-HH
10	323-5	1	Screw-HH	30		2	Front Frame Spring ASM ●
12	106-9981	1	Footrest	30:1	1-633096	1	Rod-Lift, Deck ●
12:2	106-7451	1	Decal	30:2	1-633441	2	Swivel-Deck Mount, Rear
12:3	107-2112	1	Decal-Warning	30:3	3217-11	3	Nut-Hex
13	3274-94	4	Screw-HSBH	30:4	3218-6	3	Nut-Jam
14	1-513658	2	Bumper	30:5	3256-7	2	Washer-Flat
15	110-5860	1	Deck Lift Handle ASM	30:6	1-643015	1	Spring-Support, Deck
15:1	1-633295	1	Grip-Lever, Lift	31	3218-2	2	Nut-Jam
15:2	103-2083	1	Lever-Lift	32	3274-18	2	Screw-HSH
15:3	103-2064	1	Arm-Lift, Deck	33	106-8984-01	1	LH Deck Lift ASM
15:4	1-633325	1	Spring-Compression	34	1-633080	1	Bushing-Lever, Lift
15:5	3296-39	1	Nut-Lock, NI				

● Not serviced separately



## Caster Wheel and Fork Assembly

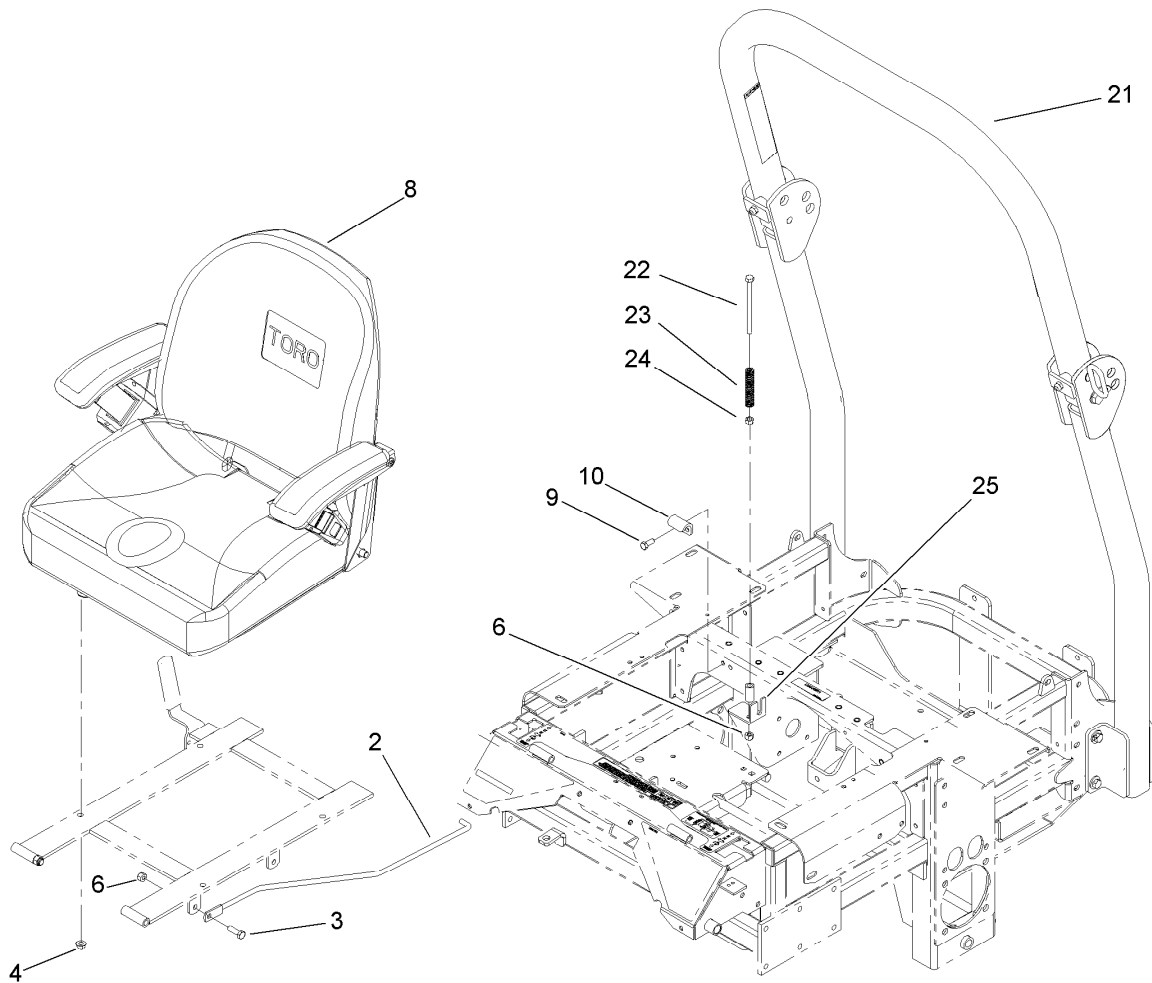
Ref.	Part Number	Qty.	Description
1	110-5746	2	Castor Wheel ASM
1:1	1-633580	2	Seal-Bearing
1:2	1-633581	2	Spacer-Bearing
1:3	1-633585	2	Bearing-Cone, Taper
1:4	1-633959	1	Spacer-Caster, Front
1:5	110-5744	1	Wheel And Tire ASM (Semi-Pneumatic)
1:5:3	1-633584	1	Bearing-Cup
1:6	325-24	1	Screw-HH
1:7	3296-45	1	Nut-Lock, NI
12	254-72	4	Bearing-Cup, Tapered
13	254-94	4	Bearing-Cone, Tapered
14	1-633508	6	Washer-Bellville
15	3296-51	2	Nut-Lock, NI
16	103-4882	2	Cap-Grease
24	1-543511	2	Seal-Grease
25	103-1474-01	2	Caster-Fork
30	110-8837	1	Caster Wheel Bearing Kit
30:1	1-633581	2	Spacer-Bearing
30:2	1-633580	2	Seal-Bearing
30:3	1-633584	2	Bearing-Cup
30:4	1-633585	2	Bearing-Cone, Taper
31	103-2768	4	Guard-Seal



## Traction Frame and Floor Pan Assembly

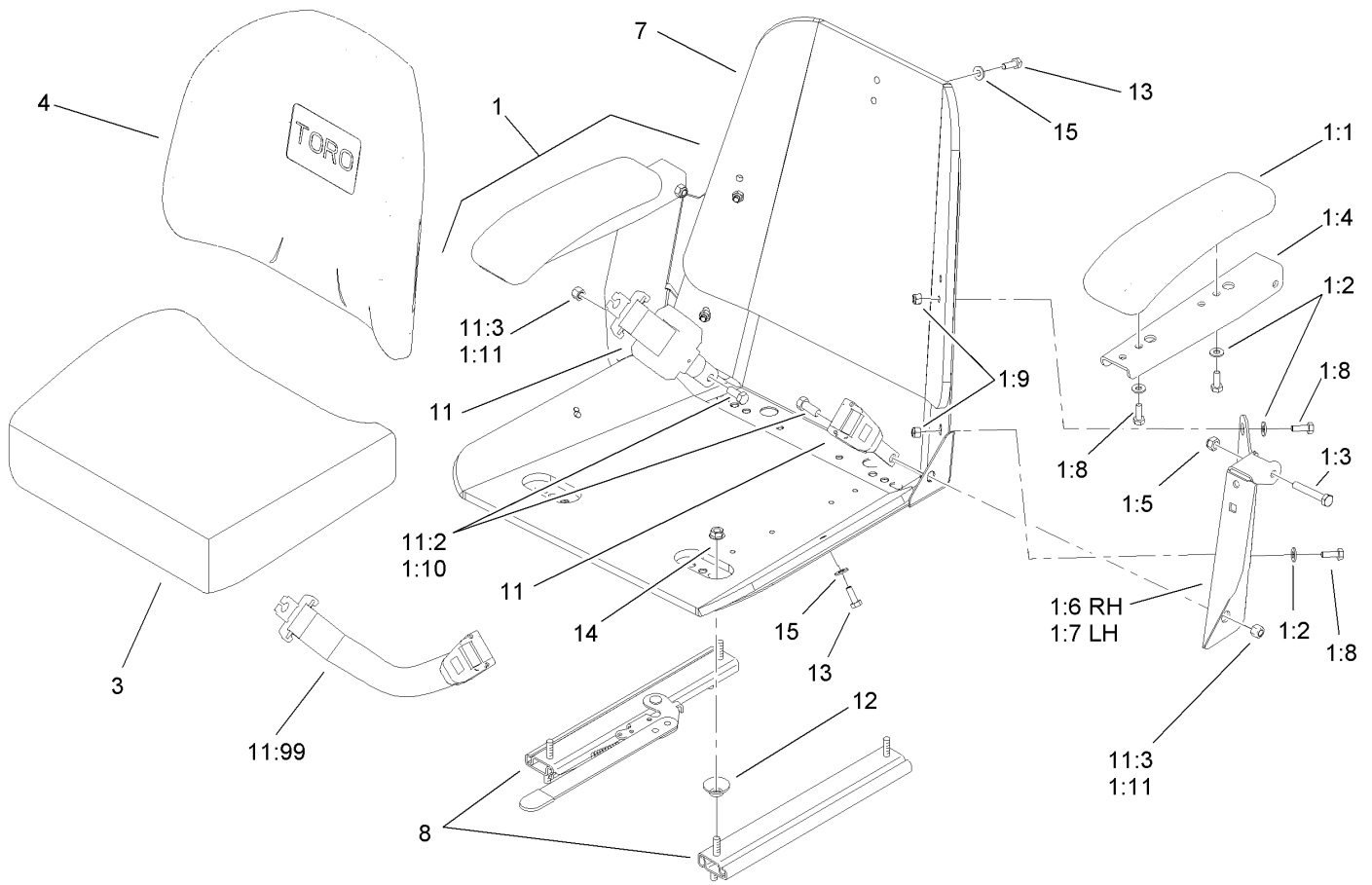
<i>Ref.</i>	<i>Part Number</i>	<i>Qty.</i>	<i>Description</i>
1	322-43	6	Screw-HH
2	3256-70	4	Washer-Flat
3	3296-42	4	Nut-Lock, NI
6	114-8194	1	Traction Frame ASM
6:2	106-9989	1	Decal-Warning
6:3	106-7492	1	Decal-Danger
6:4	110-0819	1	Decal-Console, Top
6:5	98-5954	1	Decal-Cover, Missing
6:6	32148-11	5	Insert-Threaded
7	107-1865	2	R-Clamp
8	104-7050	1	Tube-Manual
9	3296-39	2	Nut-Lock, NI
10	1-633964-03	1	Stop-Brake, Park

<i>Ref.</i>	<i>Part Number</i>	<i>Qty.</i>	<i>Description</i>
11	323-20	2	Screw-HH
12	323-6	2	Screw-HH
13	107-7697	1	Floor Pan ASM
13:2	98-4387	1	Decal-Protection, Ear
13:3	107-1864	1	Decal-Location, Manual
13:4	107-7666	1	Decal-Diesel
14	3258-166	2	Screw-PRH
15	106-7488-03	1	Hinge-Floorpan, LH
16	3296-59	2	Nut-Lock, NI
17	104-7048	1	Cap-Housing
18	321-4	2	Screw-HH
19	106-7489-03	1	Hinge-Floorpan, RH
20	106-7498	1	Pocket



## Seat and Roll-Over Protection System Assembly

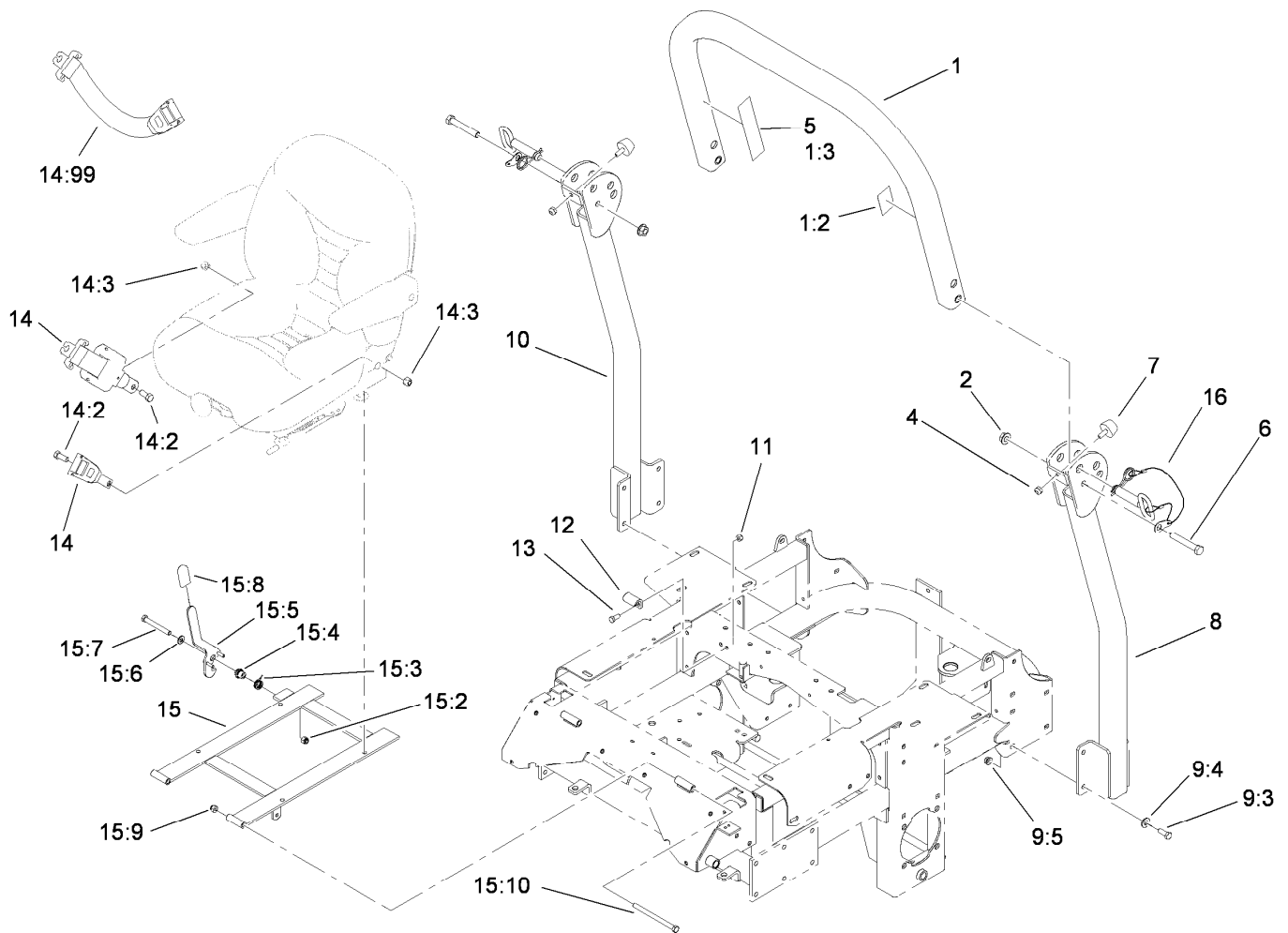
<i>Ref.</i>	<i>Part Number</i>	<i>Qty.</i>	<i>Description</i>
2	108-5341	1	Rod-Prop, Seat
3	322-5	1	Screw-HH
4	32128-20	4	Nut-HF
6	3296-29	4	Nut-Lock, NI
8	110-0446	1	Seat ASM
9	322-3	2	Screw-HH
10	107-3058	1	Catch-Latch, Seat
21	110-0877	1	ROPS Kit
22	322-38	1	Screw-HH
23	1-523415	1	Spring-Switch, Seat
24	3217-6	1	Nut-Hex
25	108-5322-03	1	Plate-Switch, Seat



## Seat and Bracket Assembly No. 110-0446

Ref.	Part Number	Qty.	Description
1	110-5719	1	Armrest Kit
1:1	110-4163	2	Cushion-Rest, Arm
1:2	3256-22	4	Washer-Flat
1:3	322-10	2	Screw-HH
1:4	105-3623	2	Channel-Armrest
1:5	32153-3	2	Nut-Hex, Side Deform
1:6	105-3621	1	Bracket-Armrest, RH
1:7	105-3622	1	Bracket-Armrest, LH
1:8	321-30	8	Screw-HH
1:9	3296-42	4	Nut-Lock, NI
1:10	325-2	2	Screw-HH
1:11	3296-23	2	Nut-Lock, NI
3	110-4162	1	Cushion-Seat, Bottom
4	110-0447	1	Cusion-Seat, Back
7	1-633859	1	Frame-Seat
8	1-643255	1	Track-Seat
11	110-0883	1	Retractable Seatbelt Kit
11:2	3212-4	2	Screw-HH
11:3	3296-7	2	Nut-Lock
11:99	109-6226	1	Seat Belt Extension Kit
12	1-543401	4	Spacer-Track
13	321-30	5	Screw-HH
14	32128-20	4	Nut-HF
15	3256-22	5	Washer-Flat



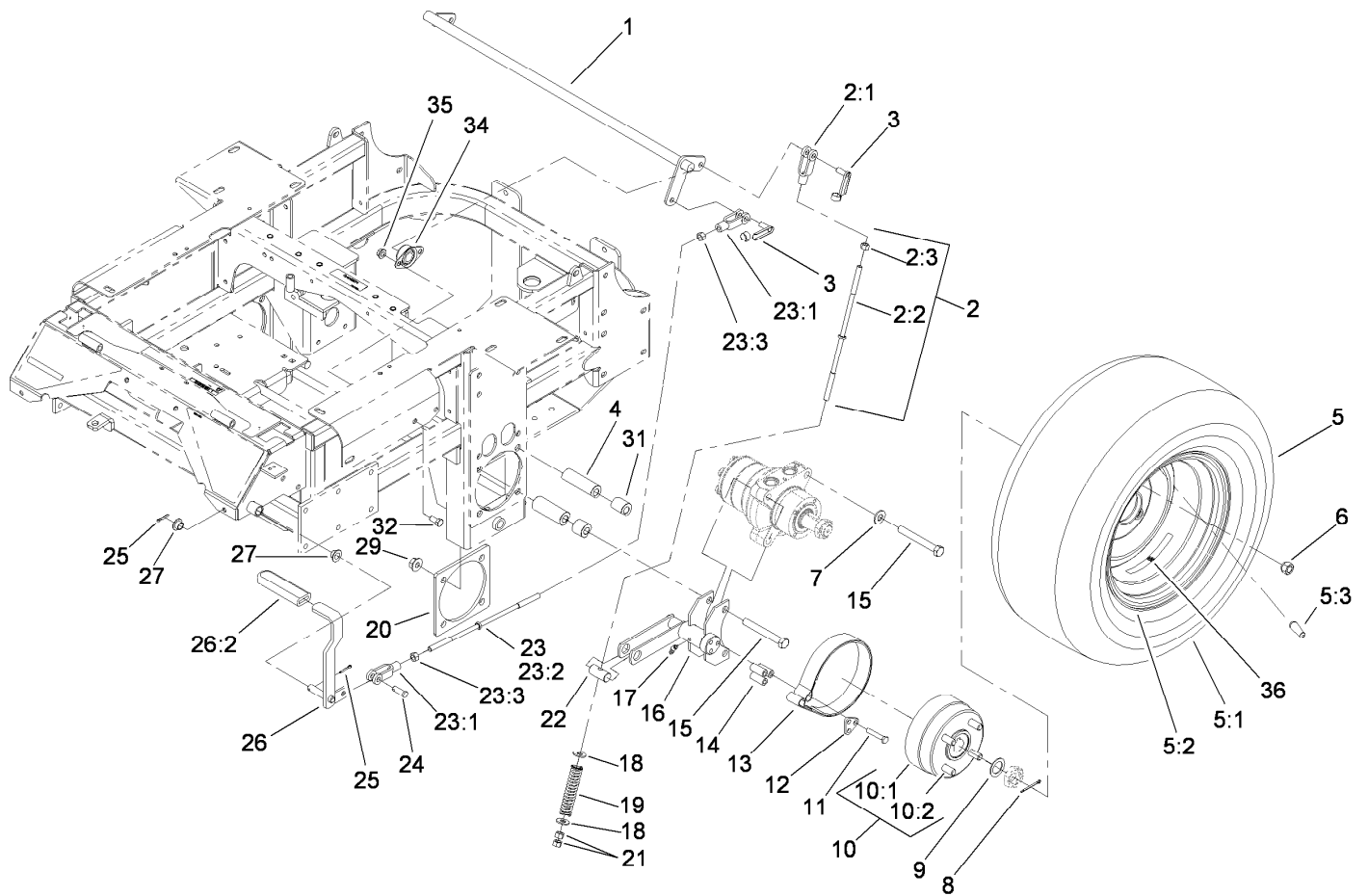


## Roll-Over Protection System Assembly No. 110-0877

Ref.	Part Number	Qty.	Description	Ref.	Part Number	Qty.	Description
1		1	Upper Tube ASM ■	12	107-3058	1	Catch-Latch, Seat
1:2	107-2101	1	Decal-ROPS	13	322-3	2	Screw-HH
1:3	107-2102	1	Decal-Warning, Folding ROPS	14	110-0883	1	Retractable Seatbelt Kit
2	32128-23	2	Nut-HF	14:2	3212-4	2	Screw-HH
4	3296-73	2	Nut-Lock, NI	14:3	3296-7	2	Nut-Lock
5	107-3069	1	Decal-Warning, Folding ROPS	14:99	109-6226	1	Seat Belt Extension Kit
6	325-13	2	Screw-HH	15	110-0874	1	Seatframe ASM
7	109-2365	2	Bumper-Rubber (W/Stud)	15:2	3296-39	1	Nut-Lock, NI
8		1	Tube-Support, LH ■	15:3	107-0076	1	Spring-Torsion
9		1	Bag-Bolt, ROPS ●	15:4	107-0075	1	Bushing-Latch, Seat
9:3	323-6	8	Screw-HH	15:5	107-3083	1	Latch ASM
9:4	98-5975	8	Washer-Belleville	15:6	3256-24	1	Washer-Flat
9:5	3290-357	8	Nut-HHF, Whiz	15:7	323-20	1	Screw-HH
10		1	Tube-Support, RH ■	15:8	103-4434	1	Grip-Lever
11	3296-29	2	Nut-Lock, NI	15:9	3296-39	2	Nut-Lock, NI
				15:10	323-39	2	Screw-HH
				16	103-4553	2	ROPS Fold Pin ASM

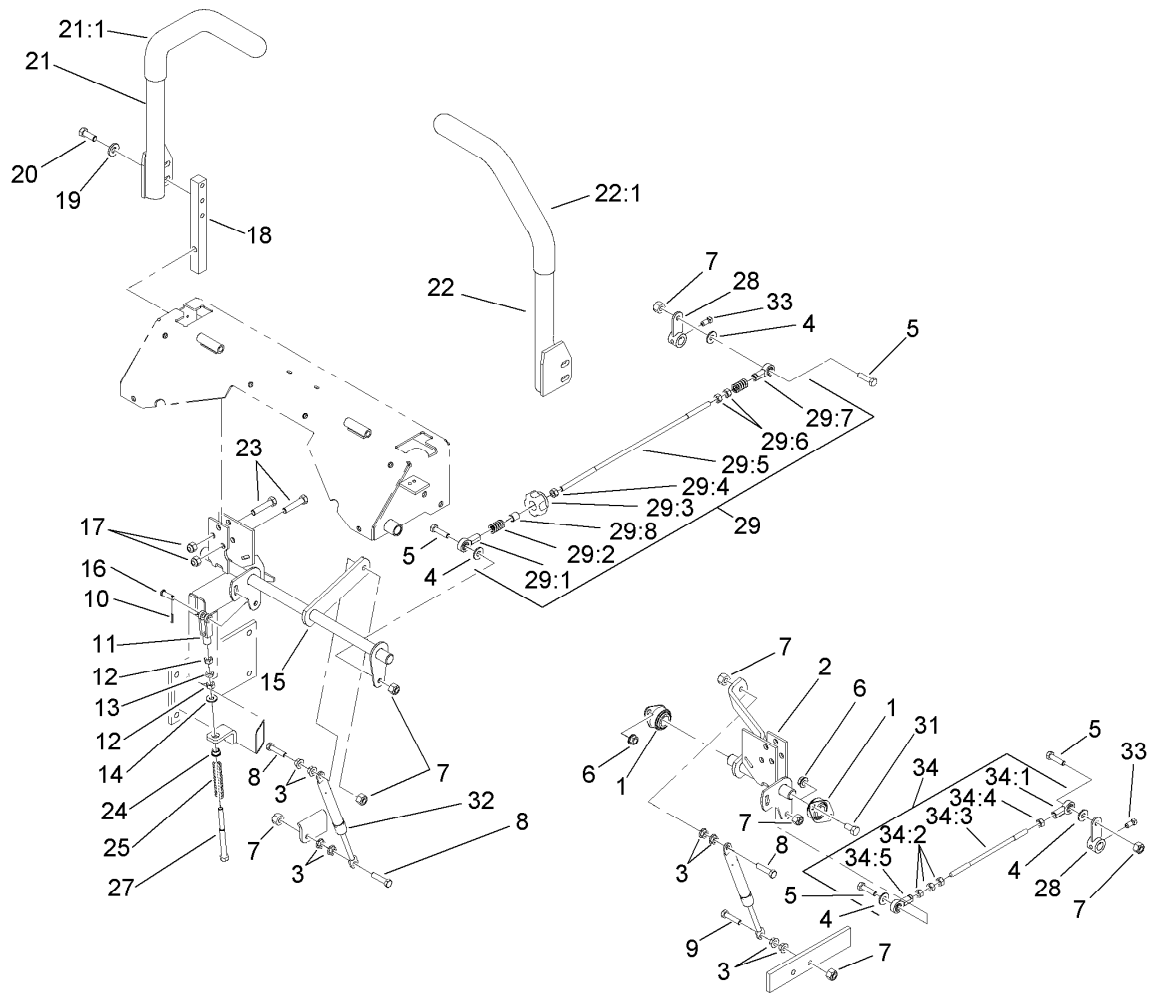
● Not illustrated

■ Not serviced separately



## Main Frame and Read Wheel Assembly

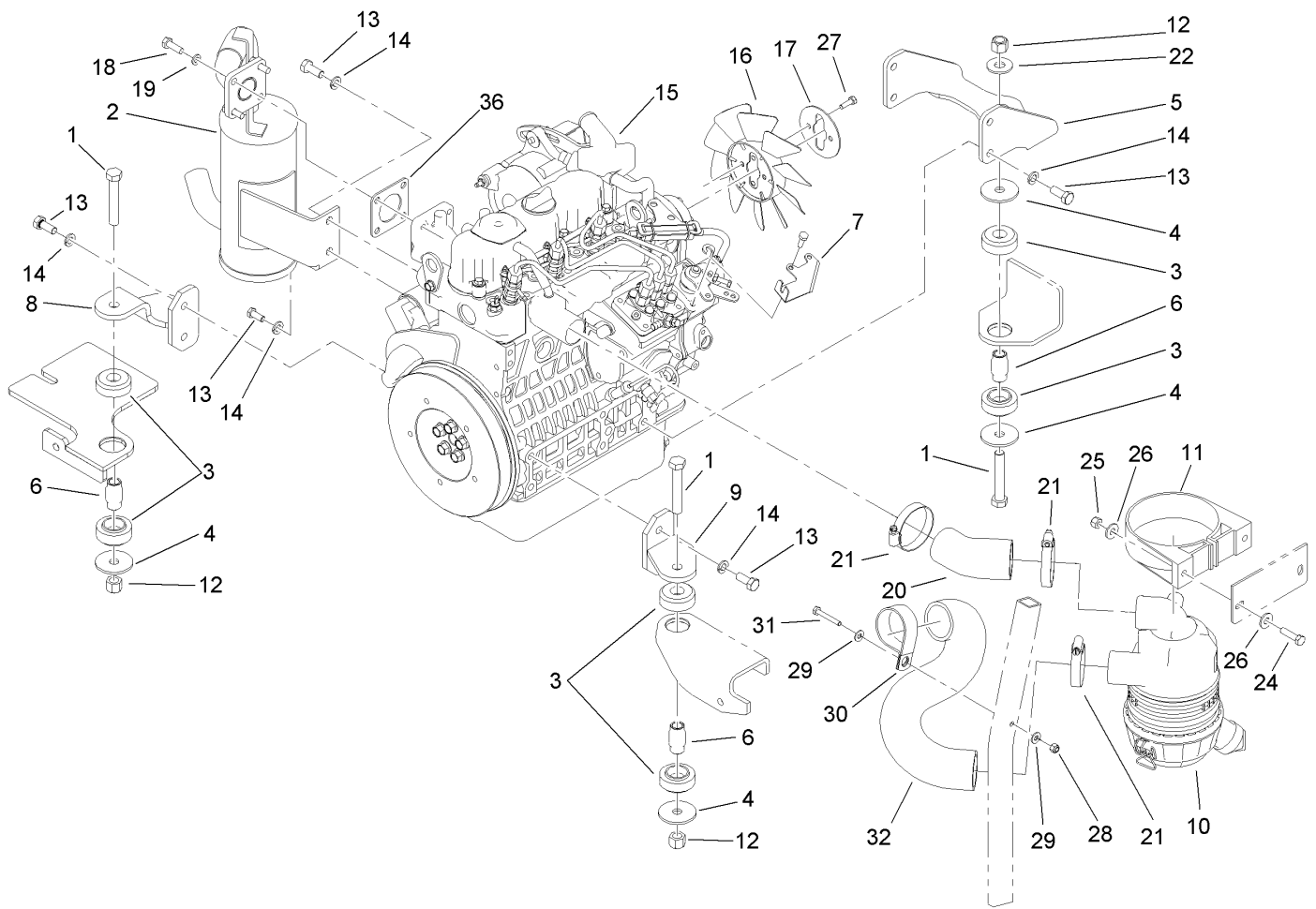
Ref.	Part Number	Qty.	Description	Ref.	Part Number	Qty.	Description
1	1-632217-03	1	Shaft-Brake	16	103-0354-03	2	Brake Bracket ASM
2	108-5963	2	Brake Rod ASM	17	1481	2	Fitting-Grease
2:1	1-633131	1	Yoke-Linkage, Brake	18	3256-4	4	Washer-Flat
2:2	108-5980	1	Rod-Brake	19	1-633454	2	Spring-Brake
2:3	3219-3	1	Nut-Hex	20	103-3271-03	2	Plate-Reinforcement
3	103-2399	3	Pin-Spring, Clevis	21	3219-3	4	Nut-Hex
4	109-5012	4	Spacer-Wheel, Long	22	1-633144	2	Pin-Trunion
5	1-633970	2	Wheel And Tire ASM	23	108-5962	1	Brake Rod ASM
5:1	1-633993	1	Tire	23:1	1-633131	2	Yoke-Linkage, Brake
5:2	1-633992	1	Wheel Rim	23:2	1-633477	1	Rod-Brake
5:3	232-27	1	Stem-Valve	23:3	3219-3	2	Nut-Hex
6	242-50	8	Nut-Lug	24	1-808285	1	Pin-Clevis
7	87-7270	4	Washer-Thrust	25	3272-10	2	Pin-Cotter
8	1-806800	2	Pin-Cotter	26	1-634500	1	Brake Lever ASM
9	1-523157	2	Washer-Spacer	26:2	1-633268	1	Grip-Lever
10	103-0590	2	Hub And Wheel ASM	27	1-513140	2	Bearing-Control
10:1	103-0589	1	Wheel Hub ASM	29	32128-49	8	Nut-HHF
10:2	1-633926	4	Stud-Wheel	31	109-5011	4	Spacer-Wheel, Short
11	322-9	6	Screw-HH	32	323-4	4	Screw-HH
12	103-0374	2	Retainer-Band, Brake	34	1-633102	2	Bearing-Flange, Side
13	103-0355	2	Band-Brake	35	3290-357	4	Nut-HHF, Whiz
14	103-0384	6	Spacer	36	109-7949	2	Decal
15	325-33	8	Screw-HH				



## Hydro Control Assembly

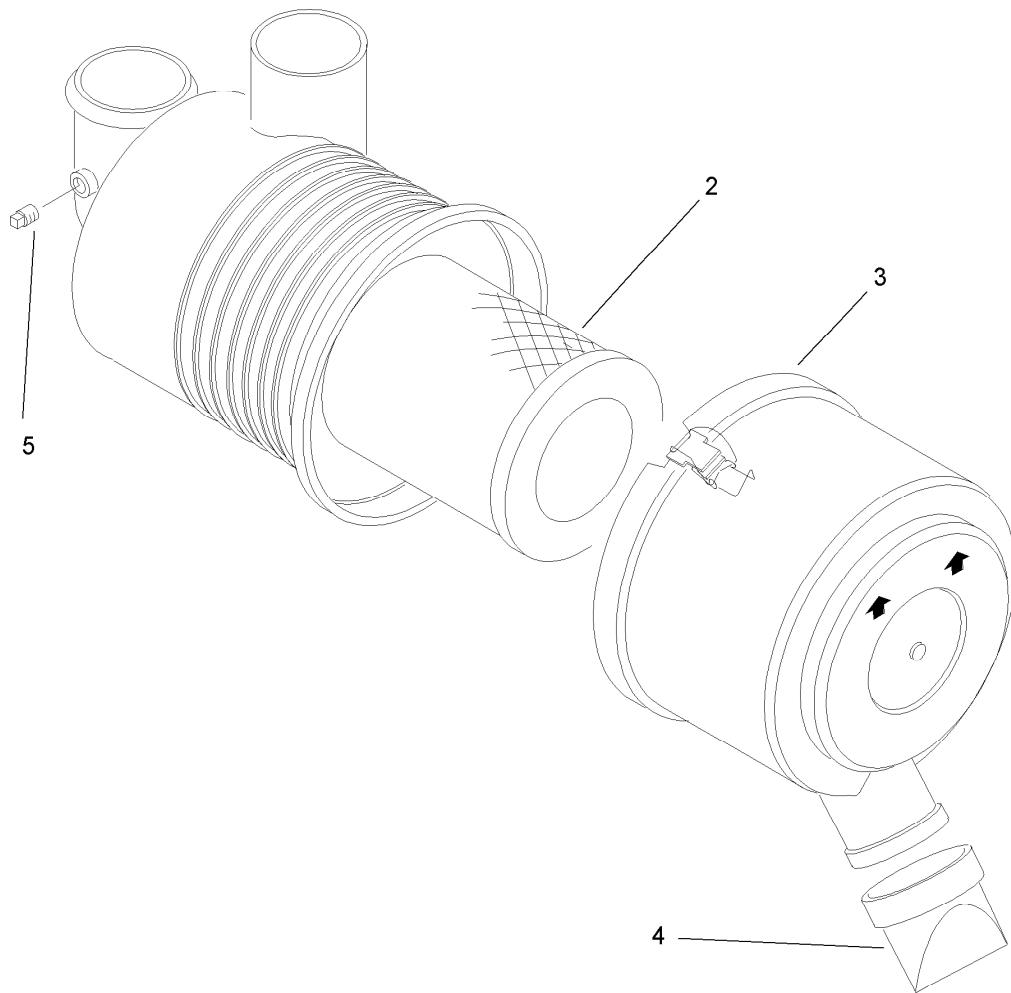
Ref.	Part Number	Qty.	Description
1	1-633102	4	Bearing-Flange, Side
2	107-3480	1	LH Motion Control ASM
3	32128-20	10	Nut-HF
4	3256-3	4	Washer-Flat
5	322-6	4	Screw-HH
6	3290-357	6	Nut-HHF, Whiz
7	3296-29	8	Nut-Lock, NI
8	1-403180	3	Screw-HH
9	322-41	1	Screw-HH
10	3272-5	2	Pin-Cotter
11	1-303105	2	Yoke-Adjustable
12	3219-2	4	Nut-Hex
13	3220-2	2	Nut-Jam
14	3256-2	2	Washer-Flat
15	107-3481	1	RH Motion Control ASM
16	1-808280	2	Pin-Clevis
17	3296-39	6	Nut-Lock, NI
18	103-0407	2	Arm-Shaft, Control
19	98-5975	4	Washer-Belleville
20	323-6	4	Screw-HH
21	108-7237	1	RH Lever ASM
21:1	106-9987	1	Grip-Control, Motion
22	108-7238	1	LH Lever ASM
22:1	106-9987	1	Grip-Control, Motion

Ref.	Part Number	Qty.	Description
23	323-9	6	Screw-HH
24	1-603735	2	Bushing-Flanged
25	1-603807	2	Spring-Return, Neutral
27	1-603737	2	Bolt-Return, Neutral
28	107-3470-03	2	Hydraulic Control Arm ASM
29	107-3474	1	RH Control Rod ASM
29:1	1-543017	1	Balljoint-RH
29:2	1-323245	2	Spring-Compression
29:3	103-3060	1	Knob-Tracking
29:4	3219-2	1	Nut-Hex
29:5	107-3472	1	Rod-Control, RH
29:6	1-804524	2	Nut
29:7	1-633152	1	Balljoint-LH
29:8	103-1166	1	Spacer-Tube, Pump Link
31	323-4	6	Screw-HH
32	109-2339	2	Damper-Control, Motion
33	1-803022	2	Screw-Set
34	107-3475	1	LH Control Rod ASM
34:1	1-543017	1	Balljoint-RH
34:2	3219-2	3	Nut-Hex
34:3	107-3473	1	Rod-Control, LH
34:4	1-804524	1	Nut
34:5	1-633152	1	Balljoint-LH



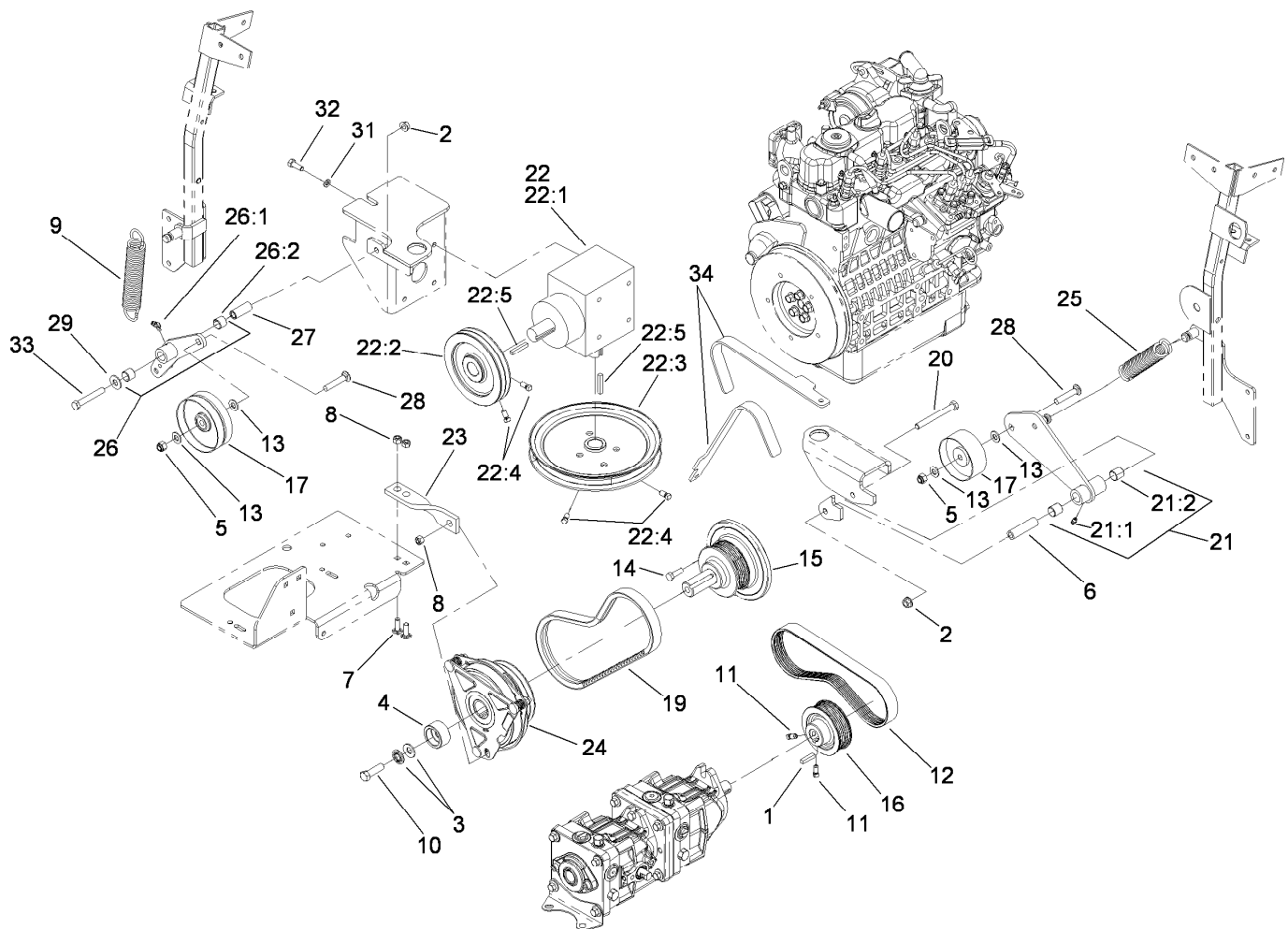
## Engine, Exhaust and Air Intake Assembly

Ref.	Part Number	Qty.	Description	Ref.	Part Number	Qty.	Description
1	325-12	3	Screw-HH	17	110-0816	1	Plate-Retainer, Fan
2	107-9909	1	Muffler	18	33114-025	4	Screw-HH
3	107-9914	3	Mount-Isolation	19	3253-4	4	Washer-Lock
4	55-7960	4	Washer-Large	20	108-5371	1	Hose-Intake, Air Cleaner
5	107-9917-03	1	Bracket-Engine Mount, Rear	21	1-643009	3	Clamp-Hose
6	110-0300	3	Spacer	22	3256-26	1	Washer-Flat
7	112-2383	1	Bracket-Throttle	24	322-6	2	Screw-HH
8	107-9920-03	1	RH Engine Support ASM	25	3296-29	2	Nut-Lock, NI
9	107-9930-03	1	LH Engine Support ASM	26	3256-23	4	Washer-Flat
10	93-2190	1	Air Cleaner ASM	27	33113-020	2	Screw-HH
11	95-5806	1	Bracket-Mounting	28	3296-42	1	Nut-Lock, NI
12	3296-23	3	Nut-Lock, NI	29	3256-22	2	Washer-Flat
13	43-0090	10	Screw-HH	30	1-643241	1	Clip-Loom
14	42-9600	10	Washer-Lock, Spring	31	321-10	1	Screw-HH
15	112-2331	1	Engine-Kubota	32	108-5370	1	Hose-Intake, Engine
16	110-0814	1	Fan	36	99-8343	1	Gasket-Muffler



## Air Cleaner Assembly No. 93-2190

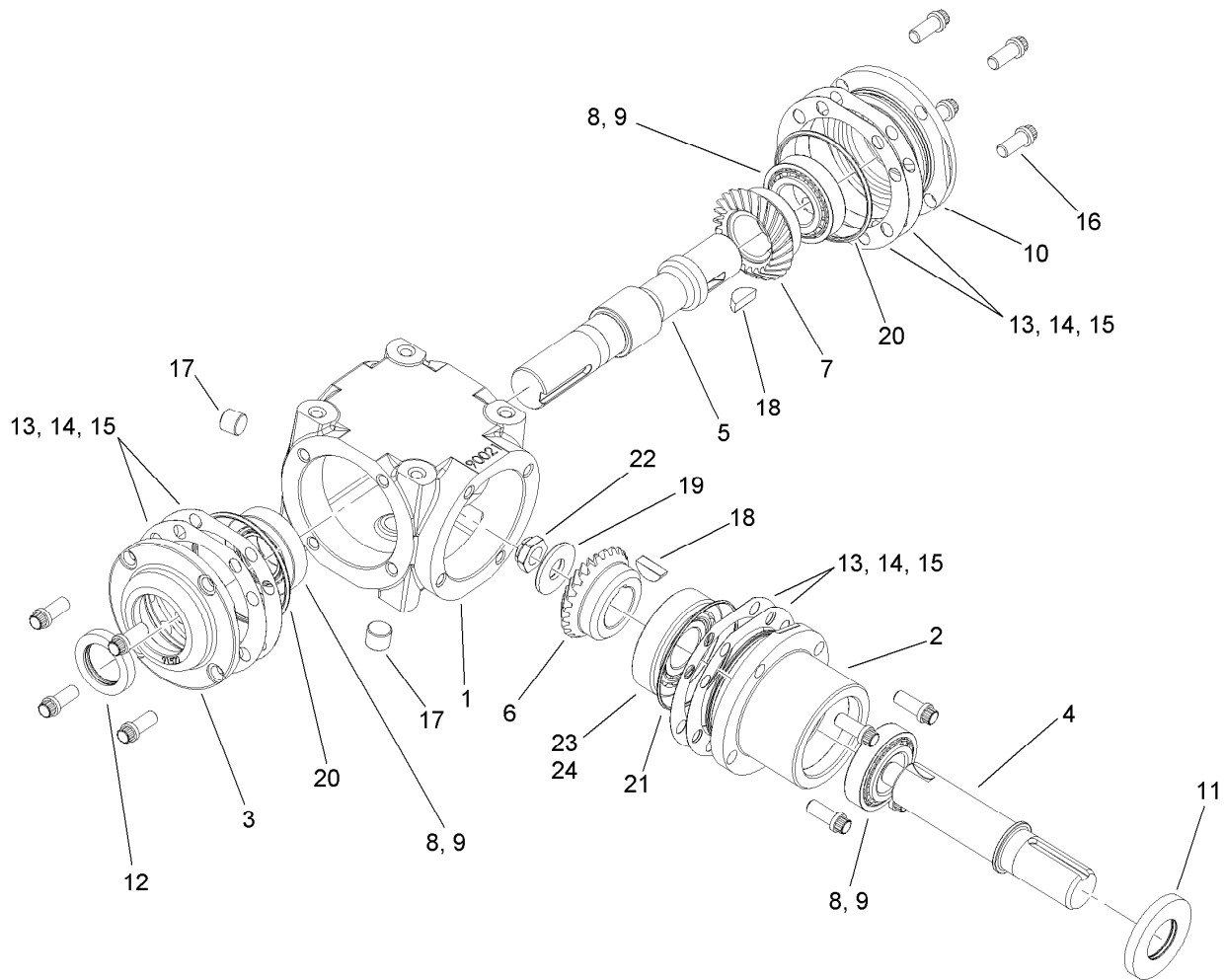
<i>Ref.</i>	<i>Part Number</i>	<i>Qty.</i>	<i>Description</i>
2	108-3811	1	Filter-Air
3	94-3652	1	Cover ASM
4	87-9400	1	Valve-Vacuator
5	285-17	1	Plug-Pipe



## Hydro and Gearbox Assembly

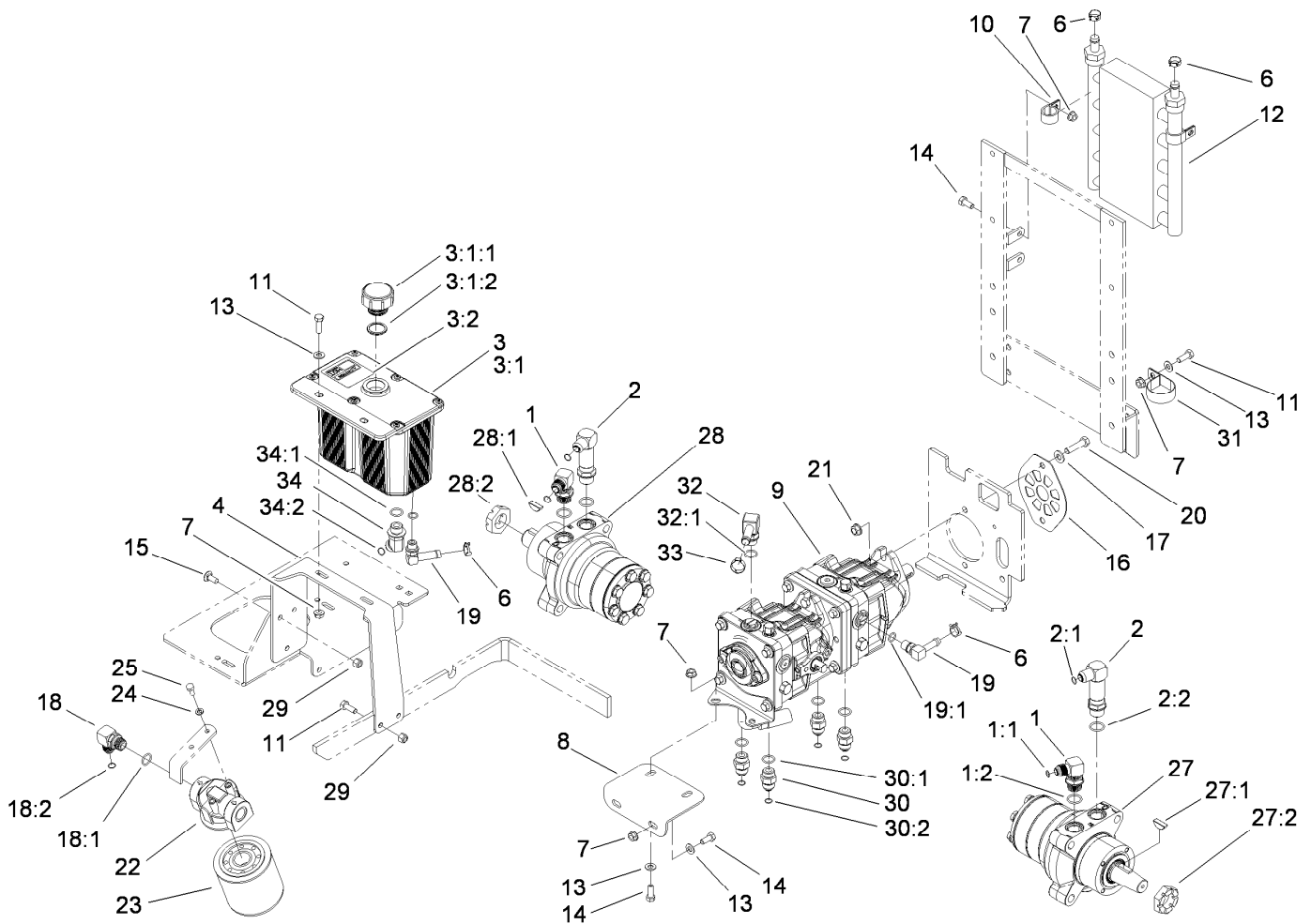
Ref.	Part Number	Qty.	Description	Ref.	Part Number	Qty.	Description
1	5-0698	1	Key	21:2	1-513034	2	Sleeve-Bearing
2	3290-357	2	Nut-HHF, Whiz	22		1	Gearbox ASM ●
3	1-603610	2	Washer-Spring	22:1	107-9887	1	Gearbox-90 DEG
4	114-8152	1	Retainer-Clutch	22:2	110-3862	1	Pulley
5	3296-39	2	Nut-Lock, NI	22:3	110-0892	1	Pulley
6	1-603384	1	Bushing-Pivot, Idler	22:4	1-803022	4	Screw-Set
7	3230-22	2	Screw-CARR	22:5	67-7490	2	Key-Square
8	3296-29	2	Nut-Lock, NI	23	112-1781	1	Strap-Stop, Clutch
9	110-0822	1	Spring-Extension	24	112-2320	1	Clutch-Magnetic
10	3212-6	1	Screw-HH	25	108-5985	1	Spring-Extension
11	1-803022	2	Screw-Set	26	112-2356	1	Gearbox Idler Arm ASM
12	110-3865	1	Belt-V, Ribbed	26:1	1481	1	Fitting-Grease
13	3256-24	4	Washer-Flat	26:2	103-4681	2	Sleeve-Bearing
14	33114-025	5	Screw-HH	27	1-603044	1	Bushing
15	112-2335	1	Stub Shaft	28	3231-6	2	Screw-CARR
16	110-3864	1	Pulley	29	3256-4	1	Washer-Flat
17	108-5910	2	Pulley-Flat	31	3253-4	4	Washer-Lock
19	110-3866	1	Belt-V	32	322-4	4	Screw-HH
20	323-15	1	Screw-HH	33	323-12	1	Screw-HH
21	108-5939	1	Pump Idler Arm ASM	34	110-0876	1	Tool-Alignment, Pulley
21:1	302-5	1	Fitting-Grease				

● Not serviced separately



## Gearbox Assembly No. 107-9887

Ref.	Part Number	Qty.	Description
1	110-0843	1	Case
2	110-0853	1	Housing-Pinion
3	100-4566	1	Cap-End, Open
4	110-0844	1	Shaft-Pinion
5	110-0845	1	Shaft-Cross
6	110-0847	1	Gear-Shaft, Cross
7	110-0846	1	Gear-Pinion
8	110-0848	3	Bearing-Cup
9	110-0849	3	Bearing-Cone
10	100-4574	1	Cap-End, Closed
11	100-4575	1	Seal
12	110-0850	1	Seal-Shaft, Cross
13	100-4591	1	Shim-Brown, .010In
14	100-4592	1	Shim-Blue, .005In
15	100-4593	1	Shim-Green, .003In
16	100-4578	12	Screw
17	100-4579	2	Plug
18	3257-33	2	Key-Woodruff
19	100-4581	1	Washer
20	100-4582	2	O-Ring
21	110-0851	1	O-Ring
22	110-0852	1	Nut Lock
23	100-5817	1	Bearing-Cup
24	100-5816	1	Bearing-Cone



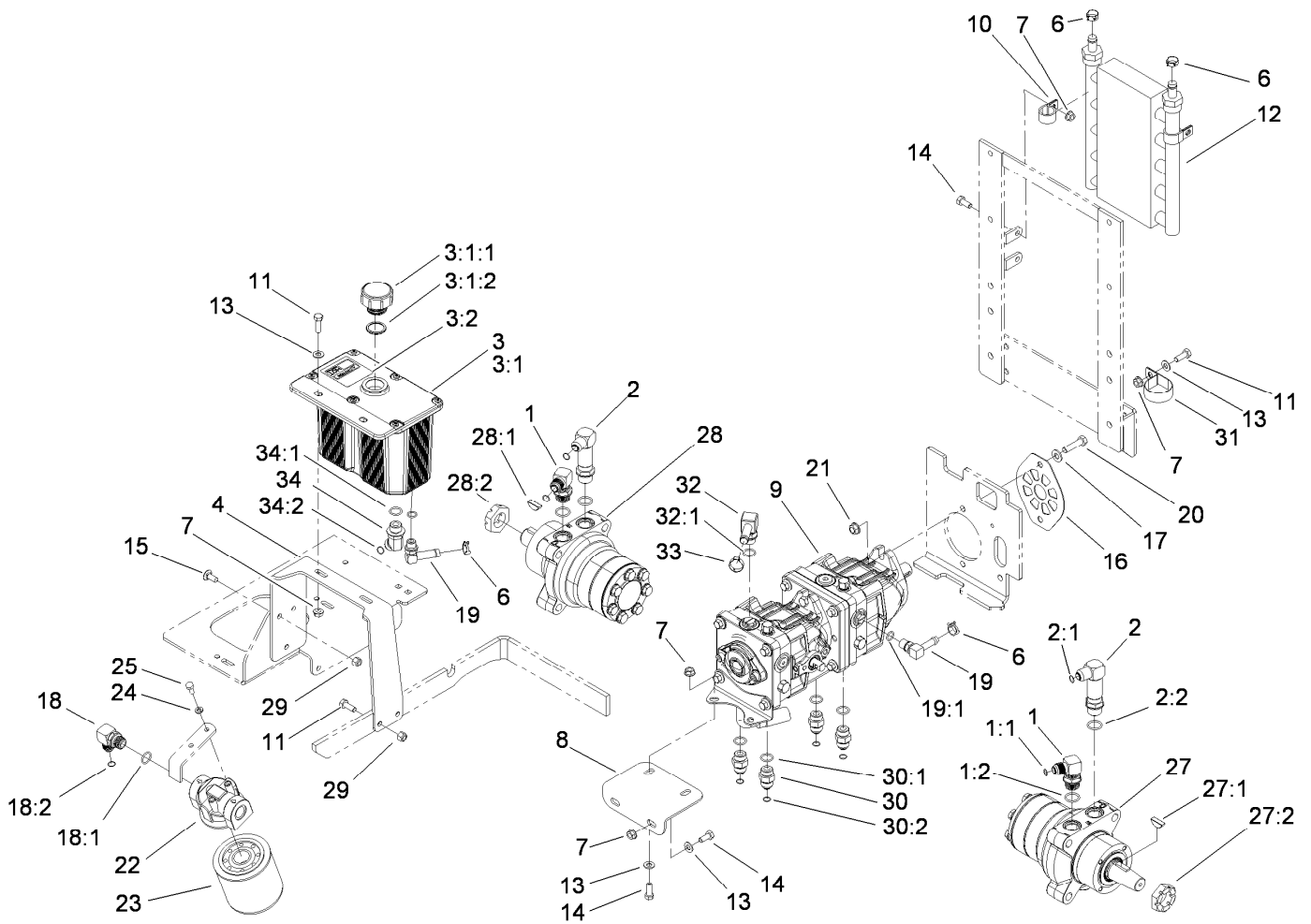
## Hydraulic Tank, Pump and Motor Assembly

Ref.	Part Number	Qty.	Description	Ref.	Part Number	Qty.	Description
1	1-633605	2	Fitting-HYD, 90 DEG	18:2	1-603992	1	O-Ring
1:1	1-603992	1	O-Ring	19	109-6449	2	Fitting-Elbow, 90
1:2	237-80	1	O-Ring	19:1	1-603921	1	O-Ring
2	108-5323	2	Fitting-Elbow-90	20	323-8	2	Screw-HH
2:1	1-603992	1	O-Ring	21	3290-357	2	Nut-HHF, Whiz
2:2	237-80	1	O-Ring	22	86-9080	1	Head-Filter
3	108-5315	1	Hydraulic Tank ASM	23	67-8110	1	Cartridge-Filter, Oil
3:1		1	Tank-Hydraulic ■	24	1-805004	2	Washer-Lock
3:1:1	103-1948	1	Cap-Reservoir, HYD	25	321-3	2	Screw-HH
3:1:2	103-1949	1	Gasket-Cap	27	112-8357	1	Motor-Wheel, CCW S2
3:2	1-523552	1	Decal-Tank, HYD	27:1	3257-42	1	Key-Woodruff
4	108-5352-03	1	Bracket-Tank, Hydraulic	27:2	1-809036	1	Nut-HH
6	110-6242	4	Clamp-Hose	27:3	109-5966	1	Wheel Motor Seal Kit ●
7	32128-20	11	Nut-HF	28	112-8358	1	Motor-Wheel, CW S2
8	107-3462-03	1	Bracket-Pump, Front	28:1	3257-42	1	Key-Woodruff
9	107-9885	1	Tandem Pump ASM	28:2	1-809036	1	Nut-HH
10	110-0824	4	R-Clamp	28:3	109-5966	1	Wheel Motor Seal Kit ●
11	322-5	4	Screw-HH	29	3296-29	4	Nut-Lock, NI
12	114-8168	1	Cooler-Oil, Hydro	30	1-603990	4	Fitting-Straight
13	3256-23	7	Washer-Flat	30:1	1-603920	1	O-Ring
14	322-3	8	Screw-HH	30:2	1-603992	1	O-Ring
15	3230-23	3	Screw-CARR	31	2412-147	1	Clamp
16	108-5367-03	1	Plate-Shield, Pump	32	108-5316	1	Fitting-Elbow, 90 DEG
17	3256-24	2	Washer-Flat	32:1	237-79	1	O-Ring
18	103-2153	1	Fitting-90 DEG	33	103-2104	1	Clamp-Hose
18:1	1-603920	1	O-Ring	34	1-523221	1	Fitting-HYD, 45 DEG

● Not illustrated

■ Not serviced separately



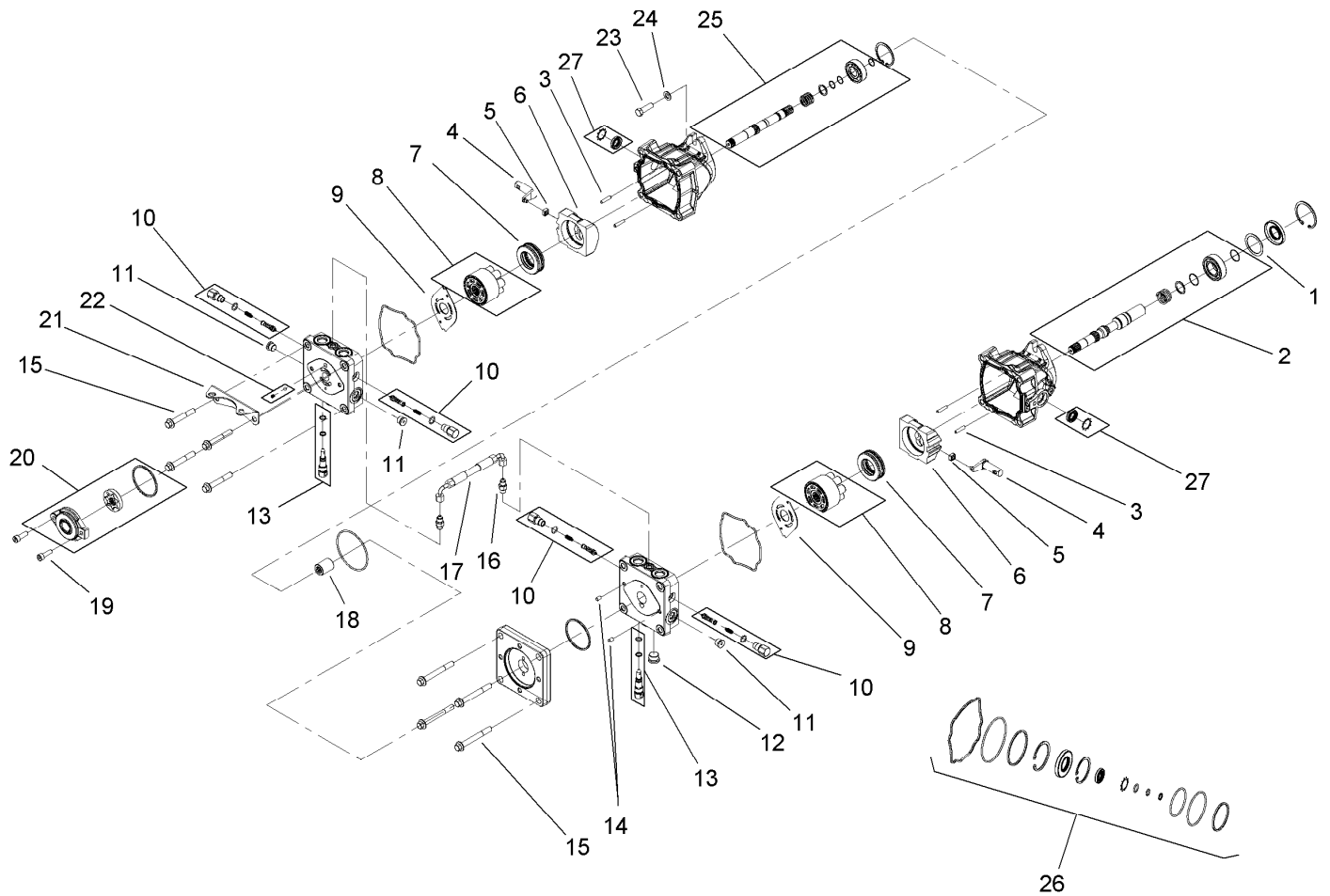


## Hydraulic Tank, Pump and Motor Assembly (continued)

<i>Ref.</i>	<i>Part Number</i>	<i>Qty.</i>	<i>Description</i>
34:1	1-603920	1	O-Ring
34:2	1-603992	1	O-Ring

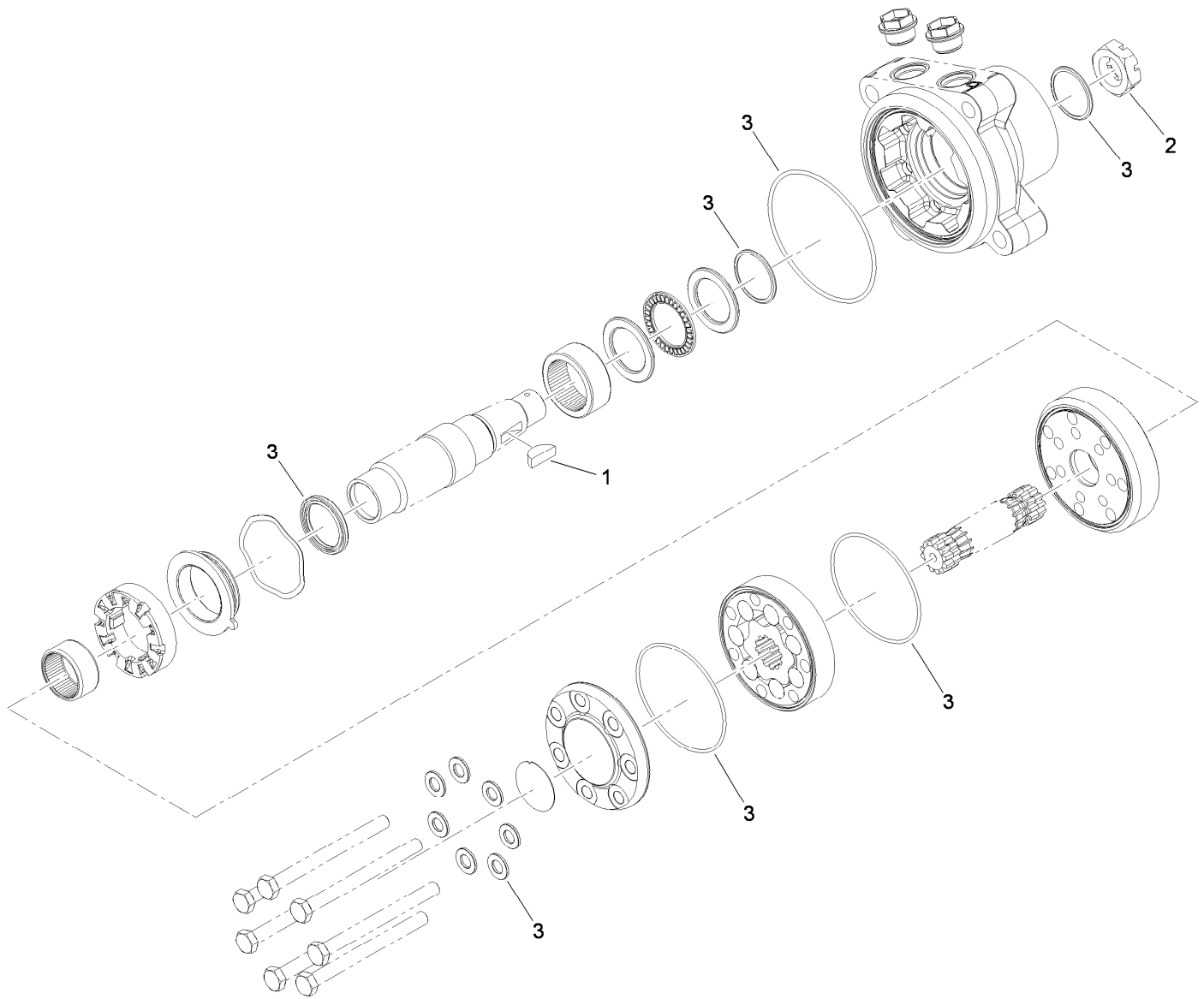
● Not illustrated

■ Not serviced separately



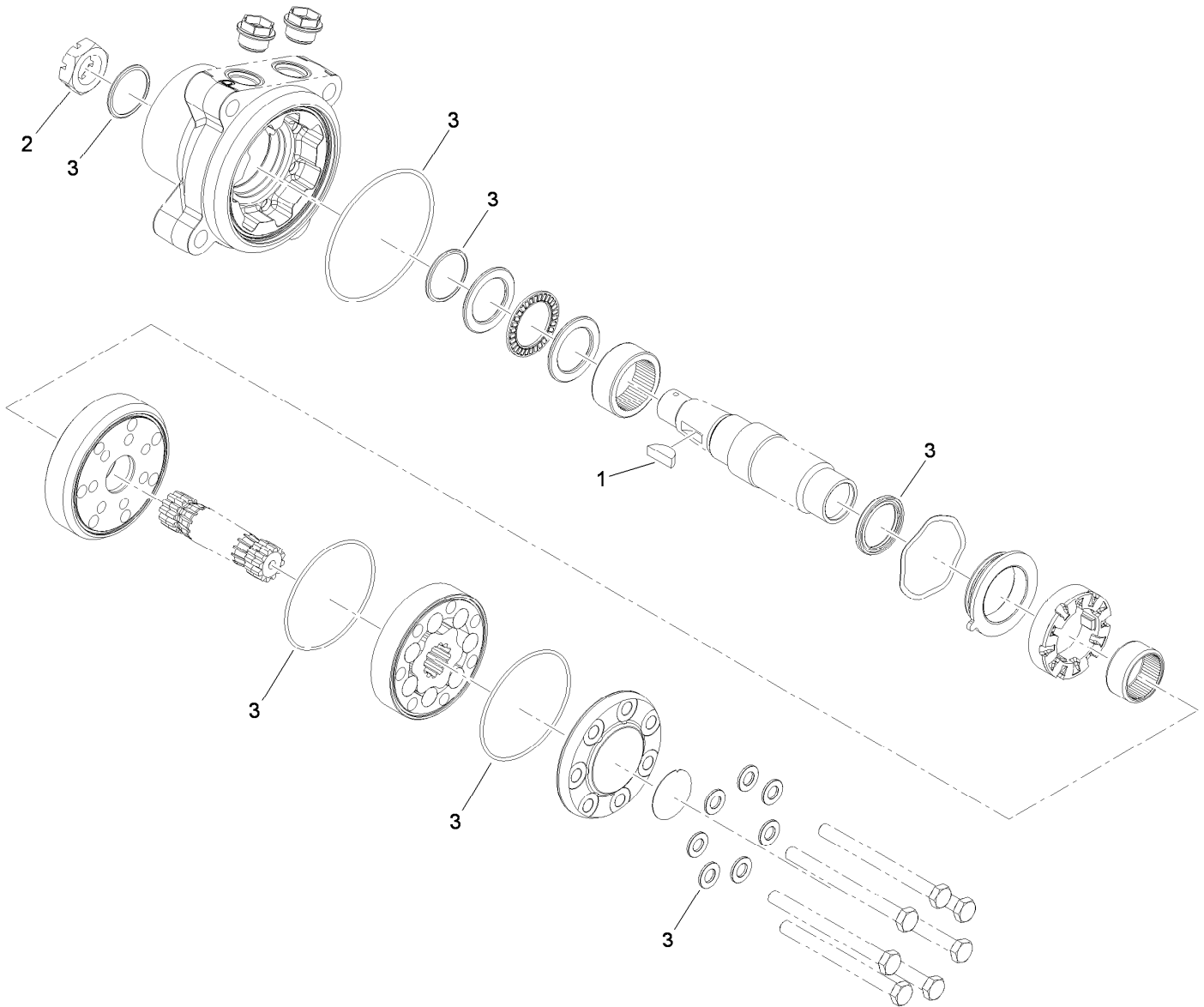
## Tandem Pump Assembly No. 107-9885

<i>Ref.</i>	<i>Part Number</i>	<i>Qty.</i>	<i>Description</i>	<i>Ref.</i>	<i>Part Number</i>	<i>Qty.</i>	<i>Description</i>
1	112-4168	1	Spacer	15	112-4157	8	Bolt
2	112-4151	1	Input Pump Shaft Kit	16	112-4158	2	Fitting-Straight
3	106-8753	4	Pin-Headless, Straight	17	112-4159	1	Hose ASM
4	112-4152	2	Arm-Trunnion	18	112-4160	1	Coupling
5	94-1910	2	Guide-Slot	19	112-4161	2	Bolt
6	112-4153	2	Swashplate	20	112-4162	1	Charge Pump Kit
7	112-4154	2	Bearing-Thrust	21	112-4163	1	Bracket-Support, Pump
8	108-2112	2	Cylinder Block Kit	22	112-4164	1	Charge Relief Kit
9	108-6801	2	Plate-Valve	23	112-4165	2	Bolt-HSH
10	112-4155	4	Shock Valve Kit	24	112-4166	2	Washer
11	104-2189	3	Plug-Thread, Straight	25	112-4167	1	Second Pump Shaft Kit
12	112-4156	1	Plug-Steel	26	112-4150	1	Overhaul Seal Kit
13	106-8759	2	Bypass Valve Kit	27	114-8155	1	Trunnion Seal Kit
14	104-2170	2	Pin				



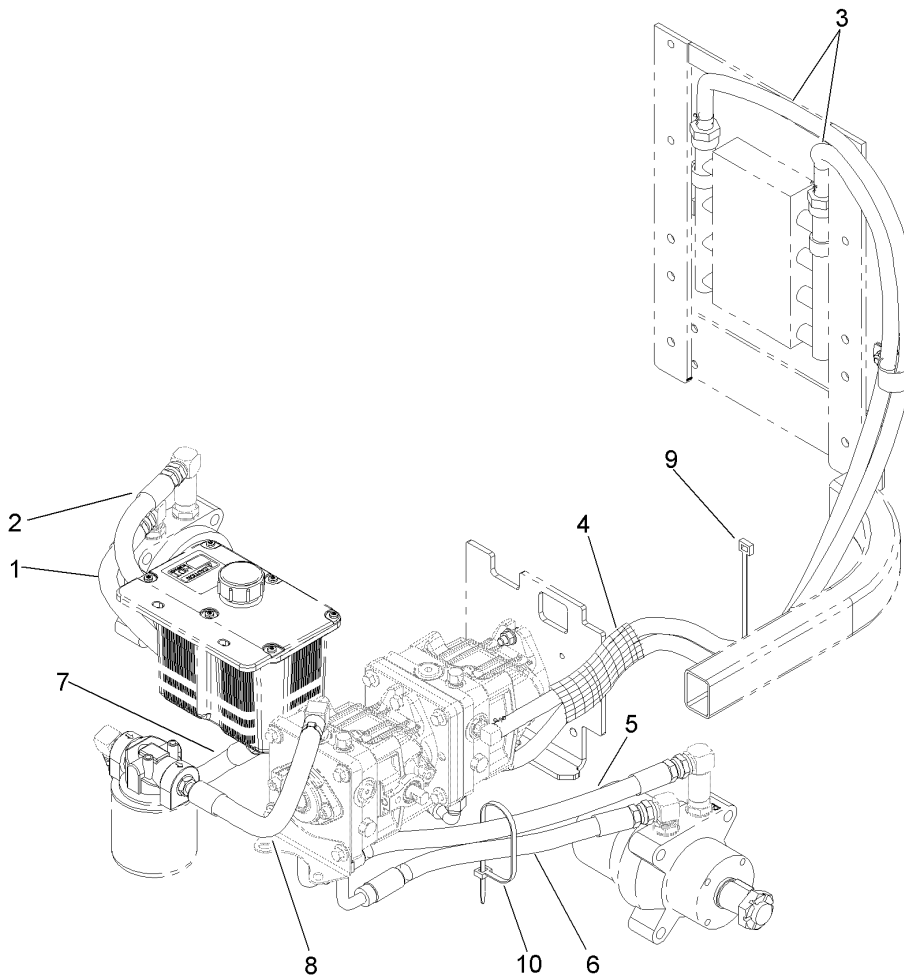
## Hydraulic Motor Assembly No. 112-8357 (CCW)

<i>Ref.</i>	<i>Part Number</i>	<i>Qty.</i>	<i>Description</i>
1	3257-42	1	Key-Woodruff
2	1-809036	1	Nut-HH
3	109-5966	1	Wheel Motor Seal Kit



## Hydraulic Motor Assembly No. 112-8358 (CW)

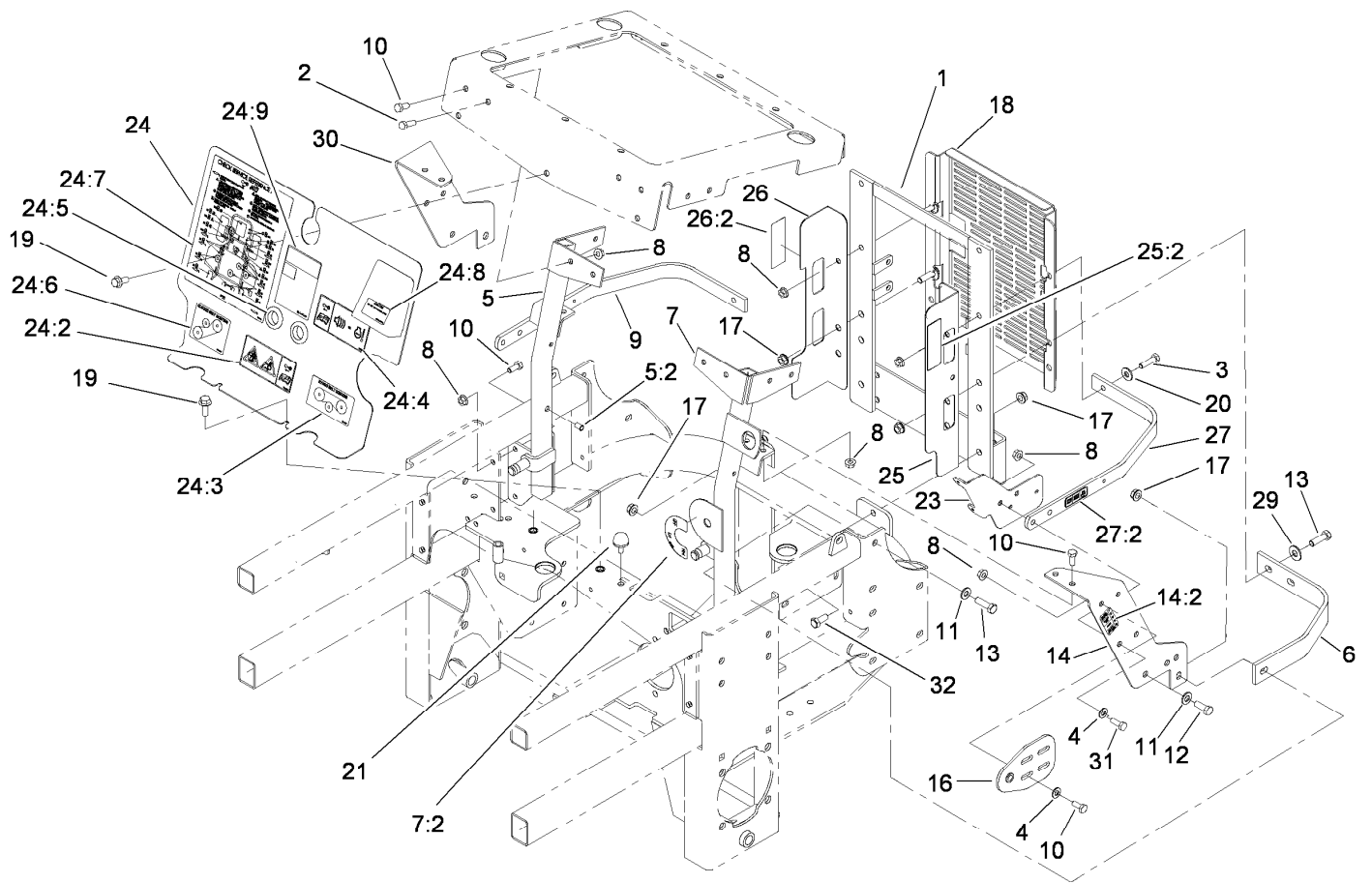
<i>Ref.</i>	<i>Part Number</i>	<i>Qty.</i>	<i>Description</i>
1	3257-42	1	Key-Woodruff
2	1-809036	1	Nut-HH
3	109-5966	1	Wheel Motor Seal Kit



## Hydraulic Hose Assembly

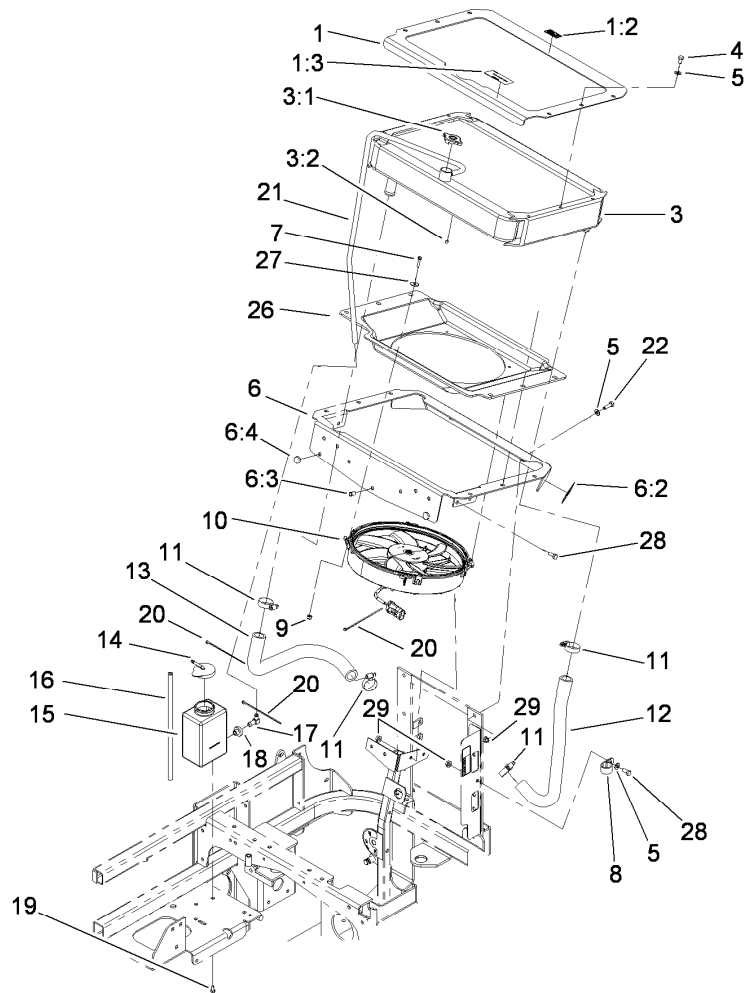
<i>Ref.</i>	<i>Part Number</i>	<i>Qty.</i>	<i>Description</i>
1	107-3495	1	Hydraulic Hose ASM
2	107-3490	1	Hydraulic Hose ASM
3	114-8169	2	Hose-Hydraulic
4	114-8201	1	Sleeve-Fabric
5	108-5318	1	Hydraulic Hose ASM
6	114-8165	1	Hydraulic Hose ASM
7	110-3854	1	Hydraulic Hose ASM
8	108-5374	1	Hydraulic Hose ASM
9	1-303335	1	Tie-Plastic
10	1-809066	1	Tie-Plastic





## Engine Housing Assembly

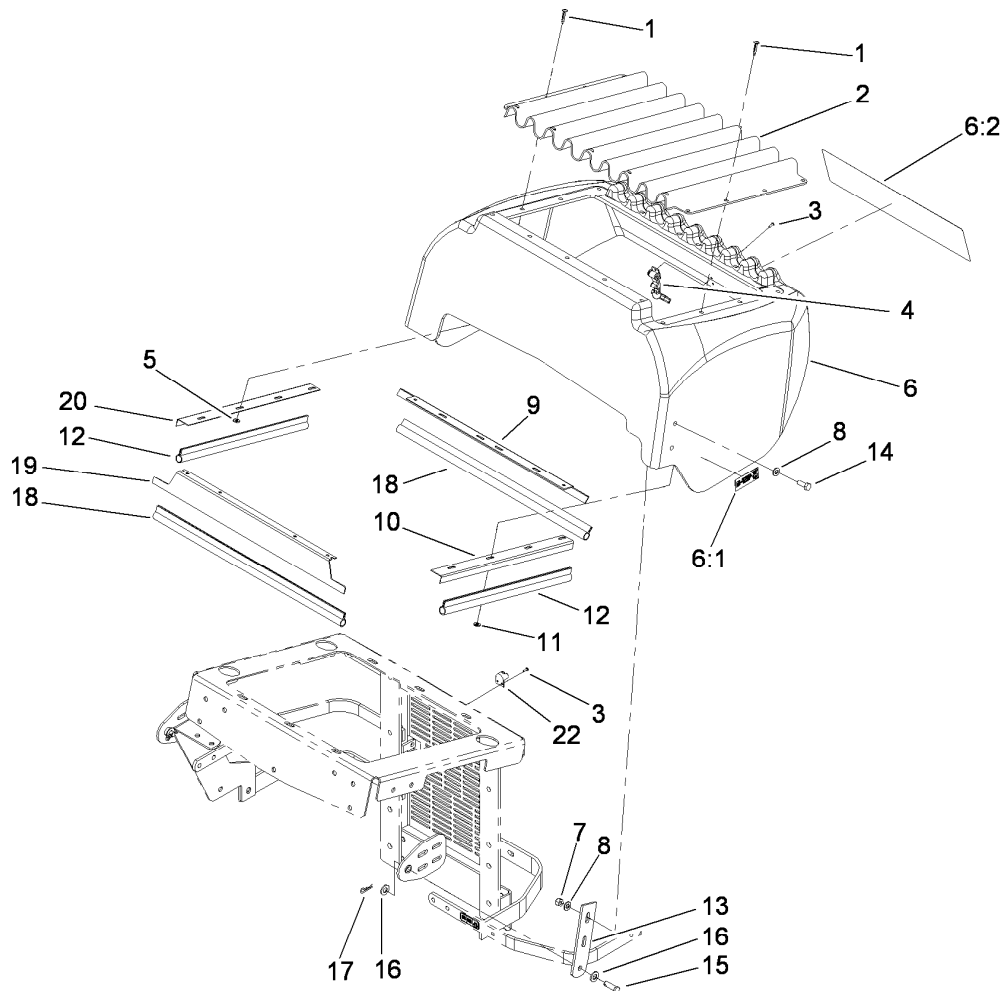
<i>Ref.</i>	<i>Part Number</i>	<i>Qty.</i>	<i>Description</i>	<i>Ref.</i>	<i>Part Number</i>	<i>Qty.</i>	<i>Description</i>
1	107-9934-03	1	Support-Radiator, Rear	21	109-2365	2	Bumper-Rubber (W/Stud)
2	322-5	2	Screw-HH	23	107-8081-03	1	Bracket-Relay/Fuse
3	322-6	2	Screw-HH	24	108-5936	1	Front Engine Shield ASM
4	3256-23	8	Washer-Flat	24:2	110-3853	1	Decal-Danger, Rotating Devices
5	114-1170	1	RH Radiator Brace ASM	24:3	108-5955	1	Decal-Routing, Hydro Belt
5:2	32148-11	1	Insert-Threaded	24:4	110-3852	1	Decal- Warning, Buzzer
6	103-7623-03	2	Strap-Guard	24:5	100-3815	2	Grommet-Rubber
7	110-3870	1	LH Radiator Brace ASM	24:6	108-5957	1	Decal-Routing, Clutch Belt
7:2	107-2114	1	Decal-Valve, Fuel	24:7	110-3851	1	Decal-Check, Service
8	32128-20	22	Nut-HF	24:8	110-0806	1	Decal-Caution
9	114-8223-03	1	Top-Rib	24:9	104-2449	1	Decal-Coolant
10	322-3	14	Screw-HH	25	110-0878	1	LH Fan Guard ASM
11	3256-24	3	Washer-Flat	25:2	1-643253	1	Decal-Fan, Radiator
12	323-6	1	Screw-HH	26	110-0887	1	RH Fan Guard ASM
13	323-7	4	Screw-HH	26:2	1-643253	1	Decal-Fan, Radiator
14	112-8318	1	LH Support Bracket ASM	27	110-0890	1	Strap-Top
14:2	112-8319	1	Decal-Fuses	27:2	110-0305	1	Decal-Relay
16	108-5345-03	2	Hood Pivot Plate ASM	29	3256-4	2	Washer-Flat
17	3290-357	7	Nut-HHF, Whiz	30	108-5339-03	1	Bracket-Support, RH
18	112-8302-03	1	Shield-Cooler	31	322-4	4	Screw-HH
19	98-8332	3	Knob	32	323-5	2	Screw-HH
20	3256-3	2	Washer-Flat				



## Cooling System Assembly

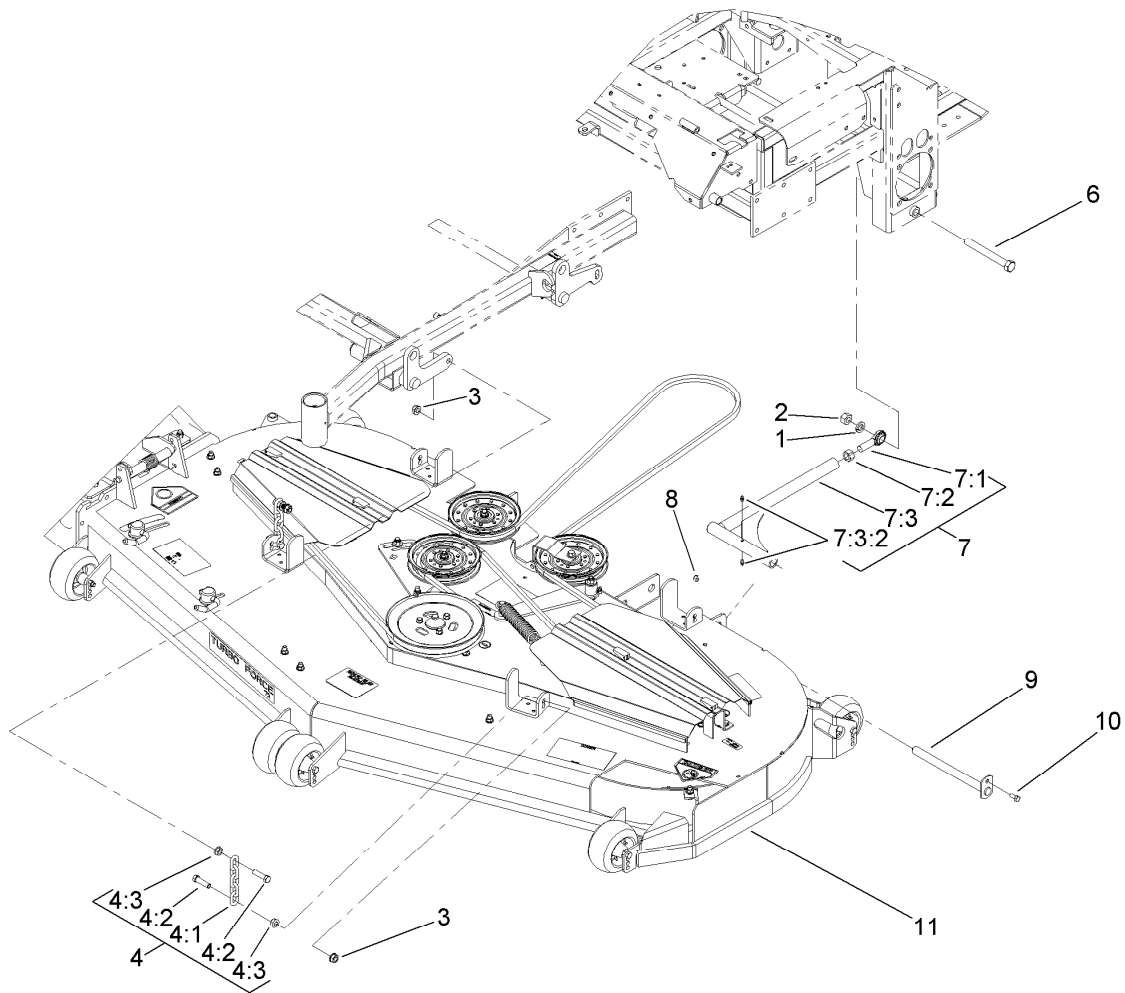
<i>Ref.</i>	<i>Part Number</i>	<i>Qty.</i>	<i>Description</i>	<i>Ref.</i>	<i>Part Number</i>	<i>Qty.</i>	<i>Description</i>
1	112-8305	1	Top Rad Plate ASM	11	1-633989	4	Clamp-Hose
1:2	65-2690	1	Decal-Surface, Hot	12	108-5372	1	Hose-Radiator, LH
1:3	110-3842	1	Decal-Antifreeze	13	112-8314	1	Hose-Radiator, RH
3	108-5382	1	Radiator ASM	14	1-643164	1	Cap-Tank, Overflow
3:1	114-8202	1	Cap-Radiator	15	1-643163	1	Tank-Overflow
3:2	99-8551	1	Plug-Pipe	16	1-603954	1	Hose-Line, Fuel
4	322-1	6	Screw-HH	17	1-643259	1	Fitting-Elbow
5	3256-23	16	Washer-Flat	18	1-513645	1	Bushing-Valve, Fuel
6	112-8306	1	Bottom Rad Plate ASM	19	321-2	2	Screw-HH
6:2	1-643253	2	Decal-Fan, Radiator	20	1-303287	5	Tie-Cable
6:3	32148-6	1	Insert-Nut	21	103-1428	1	Hose-Overflow
6:4	1-513658	2	Bumper	22	322-5	3	Screw-HH
7	1-803067	4	Screw	26	112-8317	1	Shroud
8	1-643312	1	Clip-Loom	27	3256-67	4	Washer-Flat
9	1-804254	4	Nut	28	322-3	11	Screw-HH
10	112-4172	1	Fan-Hi Performance	29	32128-20	4	Nut-HF





## Hood Assembly

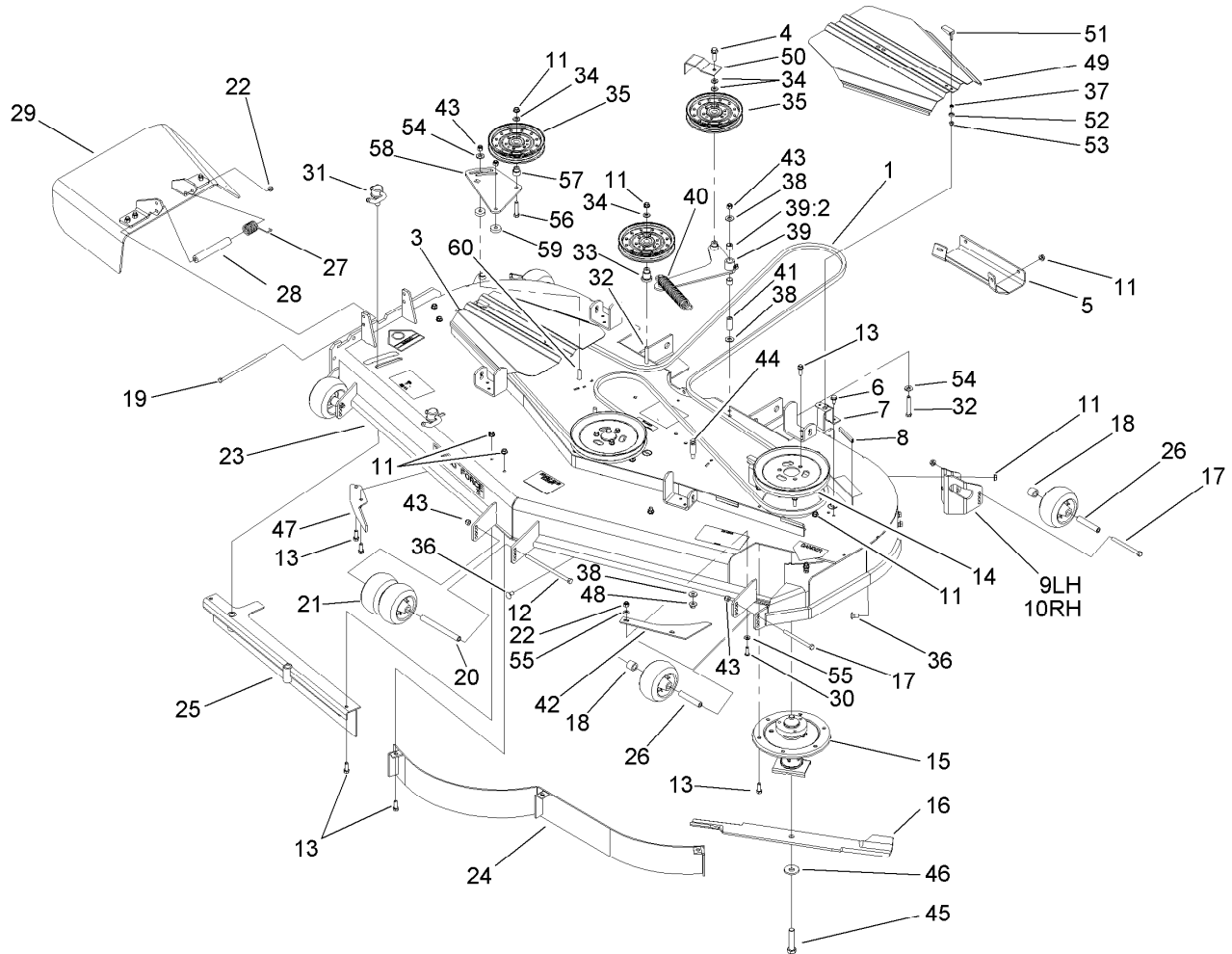
<i>Ref.</i>	<i>Part Number</i>	<i>Qty.</i>	<i>Description</i>
1	1-803072	17	Rivet
2	1-633864-03	1	Screen-Radiator
3	923786	4	Rivet
4	1-643188	1	Latch-Rubber
5	1-303435	4	Washer-Spring
6	114-8225	1	Hood ASM
6:1	114-9600	2	Decal-Low Sulfur
6:2	107-7674	1	Decal
7	3296-29	4	Nut-Lock, NI
8	3256-23	8	Washer-Flat
9	1-643108-03	1	Angle-Radiator, Bottom
10	1-643105-03	1	Angle-Radiator, LH
11	3256-14	12	Washer-Flat
12	1-643186	2	Seal-Trim
13	108-5337-03	2	Plate-Hinge, Hood
14	322-4	4	Screw-HH
15	1-808285	2	Pin-Clevis
16	3256-24	4	Washer-Flat
17	1-806003	2	Pin-Cotter, Hair
18	1-643187	2	Seal-Trim
19	1-643107-03	1	Angle-Radiator, Top
20	1-643106-03	1	Angle-Radiator, RH
22	1-643189	1	Keeper-Latch, Rubber



## Deck Connection Assembly

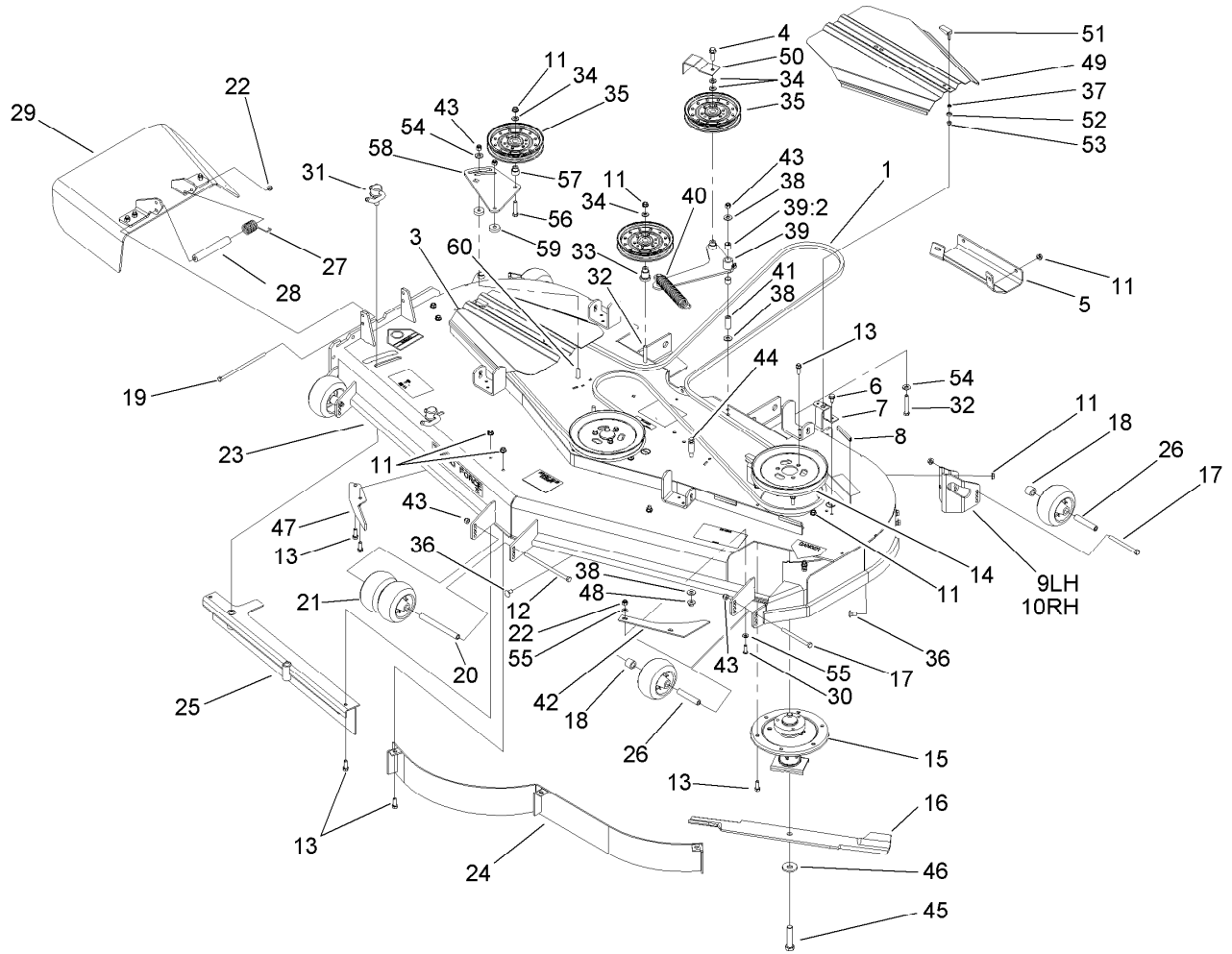
Ref.	Part Number	Qty.	Description
1	3253-8	2	Washer-Lock
2	3217-11	2	Nut-Hex
3	32128-37	8	Nut-HF
4	103-9792	4	Deck Chain ASM
4:1	1-633447	1	Chain-Lift, Deck
4:2	103-1898	2	Screw-HH
4:3	32128-37	2	Nut-HF
6	327-28	2	Screw-HH
7	108-5969	2	Strut ASM
7:1	1-633029	1	Balljoint-Spherical
7:2	3219-6	1	Nut-Hex
7:3		1	Strut-Deck ●
7:3:2	109-1380	2	Fitting-Grease
8	3296-29	2	Nut-Lock, NI
9	1-632199-01	2	Pin-Strut
10	322-3	2	Screw-HH
11		1	Deck ASM ●

● Not serviced separately



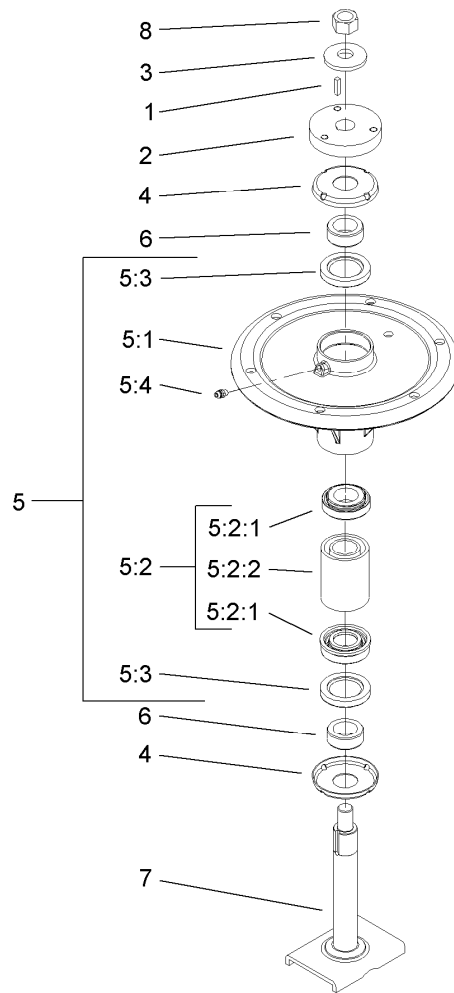
## Deck Assembly

Ref.	Part Number	Qty.	Description	Ref.	Part Number	Qty.	Description
1	105-7790	1	Belt	30	3274-104	2	Screw-HSBH
3	105-8786-03	1	Cover-Belt	31	107-1664	2	Lever ASM
4	3234-24	1	Screw-HHF	32	323-12	2	Screw-HH
5	106-3279-01	1	Plate-Skid	33	106-3214	1	Mount-Pulley
6	32144-70	4	Screw-HWHTF	34	3256-24	4	Washer-Flat
7	108-4121-01	4	Bracket-Cover	35	1-633109	3	Idler-Flat
8	105-7699	8	Strip-Seal	36	3231-1	10	Screw-CARR
9	106-7354-01	1	Mount-Wheel, LH	37	99-3058	4	Washer
10	106-7355-01	1	Mount-Wheel, RH	38	3256-4	3	Washer-Flat
11	3290-357	38	Nut-HHF, Whiz	39	108-5949	1	Deck Idler Arm ASM
12	323-28	1	Screw-HH	39:2	103-4681	2	Sleeve-Bearing
13	92-1624	33	Screw-HWH	40	110-0818	1	Spring-Extension
14	105-7733	3	Pulley	41	1-603044	1	Bushing
15	110-3933	3	Spindle ASM	42	107-3138	1	Plate-Turbo
16	105-7784-03	3	Blade-Hi Flow, 24.5 Inch	43	3296-39	6	Nut-Lock, NI
17	323-23	4	Screw-HH	44	110-0801	1	Pin-Threaded, Spring Anchor
18	98-7913	4	Tube-Spacer	45	103-0862	3	Screw-Cap
19	322-50	1	Screw-HH	46	103-0865	3	Washer-Blade Bolt, Heavy
20	98-5967	1	Spacer-Wheel	47	106-3216-01	1	Baffle-Discharge
21	1-603299	6	Roller-Scalp, Anti	48	32128-19	1	Nut-HF
22	3296-29	3	Nut-Lock, NI	49	106-3275-03	1	Cover-Belt
23	112-8359	1	Deck Decal ASM	50	108-7220-01	1	Guide-Belt
24	105-7730-01	1	Baffle ASM	51	106-6777	4	Handle-Latch, Swell
25	105-7669-01	1	Baffle ASM	52	106-6778	4	Bushing-Latch, Swell
26	98-7912	4	Tube-Spacer	53	1-804254	4	Nut
27	108-4052	1	Spring-Torsion	54	98-5975	2	Washer-Belleville
28	105-4622	1	Spacer	55	1-303334	4	Washer-Spring
29	108-2792	1	Rubber Deflector ASM				



## Deck Assembly (continued)

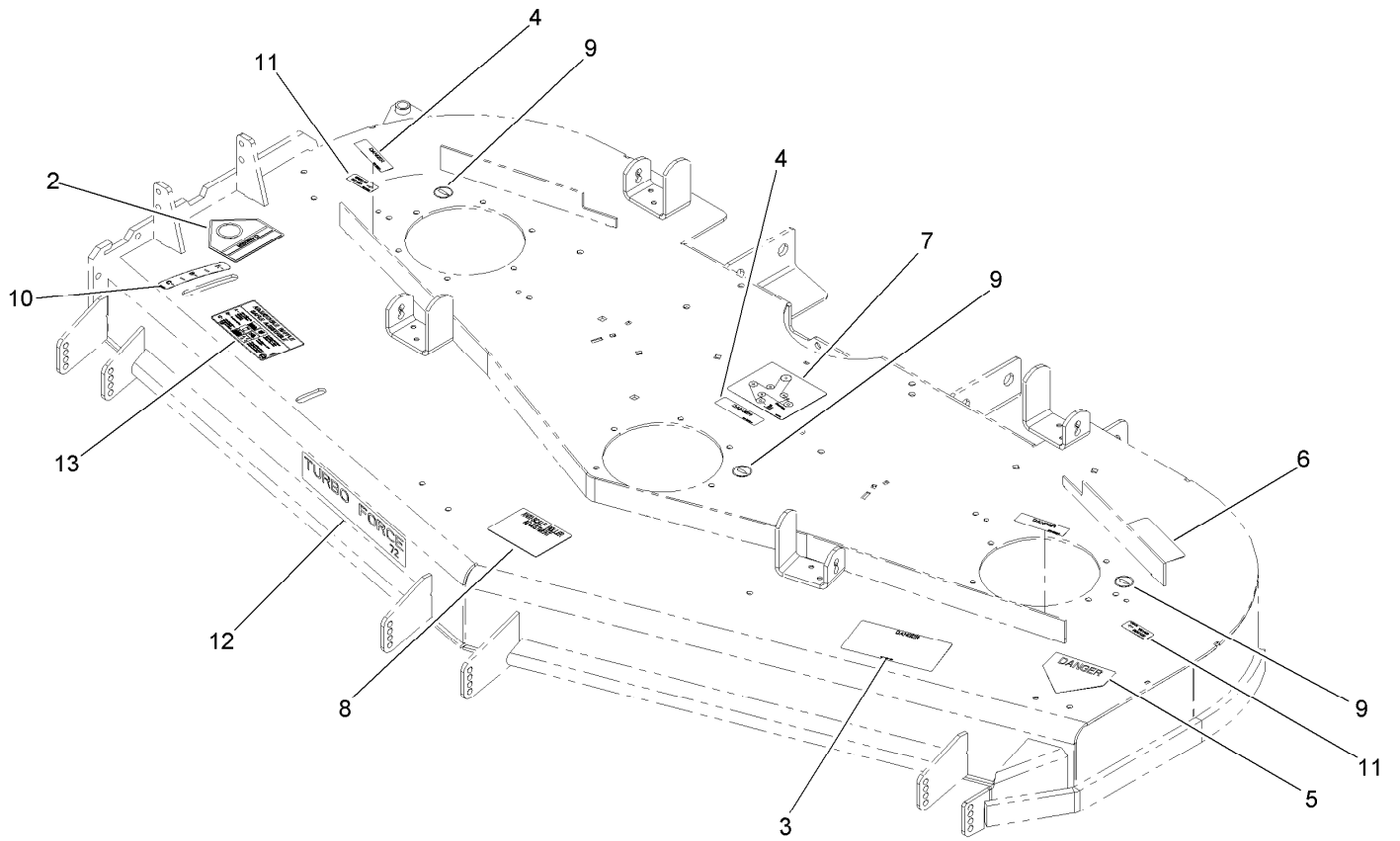
<i>Ref.</i>	<i>Part Number</i>	<i>Qty.</i>	<i>Description</i>	<i>Ref.</i>	<i>Part Number</i>	<i>Qty.</i>	<i>Description</i>
56	323-9	1	Screw-HH	59	105-7788	2	Spacer
57	1-603496	1	Bushing-Idler	60	3231-4	2	Screw-CARR
58	105-7787-01	1	Plate-Idler				



## Spindle Assembly No. 110-3933

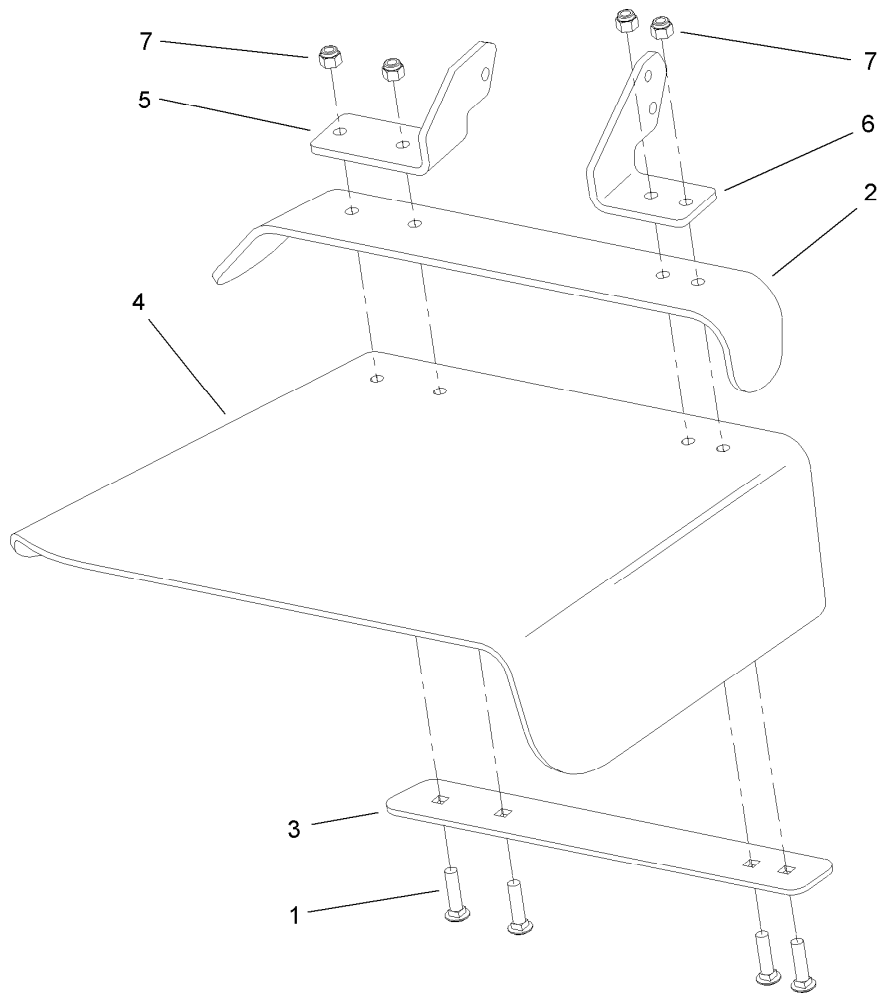
<i>Ref.</i>	<i>Part Number</i>	<i>Qty.</i>	<i>Description</i>
1	10-8040	1	Key-Square
2	108-7793	1	Hub-Pulley
3	103-0865	1	Washer-Blade Bolt, Heavy
4	106-3204	2	Shield-Bearing
5		1	Spindle Bearing ASM ●
5:1	106-3211	1	Housing-Spindle
5:2	108-7711	1	Bearing ASM
5:2:1	108-7710	1	Bearing ASM
5:2:2	106-3206	1	Spacer (Matched Set)
5:3	253-133	2	Seal-Oil
5:4	302-5	1	Fitting-Grease
6	106-3218	2	Spacer-Seal
7	106-3233	1	Spindle Shaft ASM
8	3219-6	1	Nut-Hex

● Not serviced separately



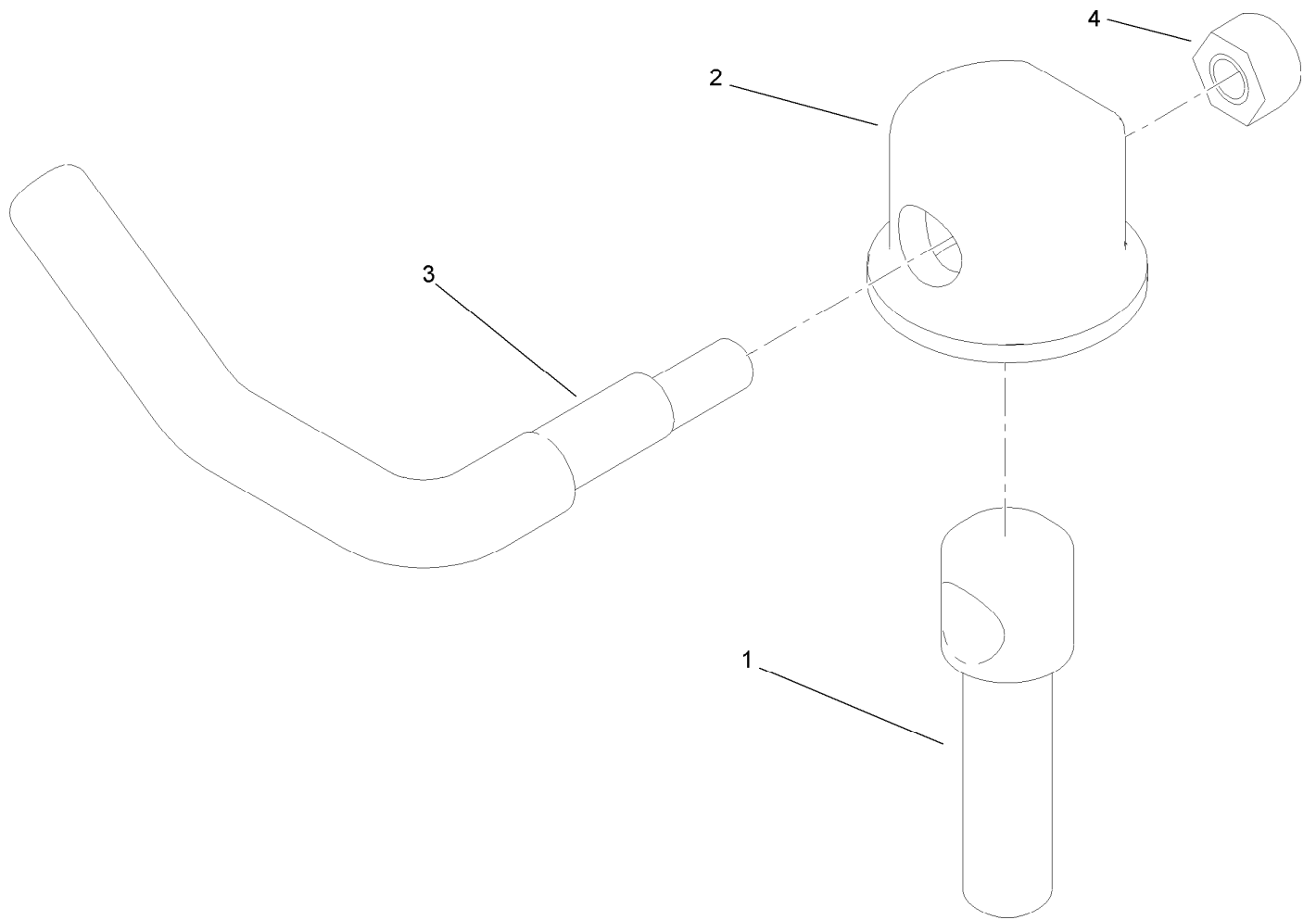
## Deck Decal Assembly No. 112-8359

<i>Ref.</i>	<i>Part Number</i>	<i>Qty.</i>	<i>Description</i>
2	54-9220	1	Decal-Danger
3	66-1340	1	Decal-Danger, Thrown Object
4	98-5954	3	Decal-Cover, Missing
5	1-403005	1	Decal-Danger
6	68-8340	1	Decal-Torque
7	108-5981	1	Decal-Routing, Belt
8	105-7798	1	Decal-Scalp, Anti
9	58-6520	3	Decal-Grease
10	110-2067	1	Decal-Setting, Baffle
11	107-1613	2	Decal-Grease
12	107-1620	1	Decal
13	110-2068	1	Decal-Adjustment, Baffle



## Rubber Deflector Assembly No. 108-2792

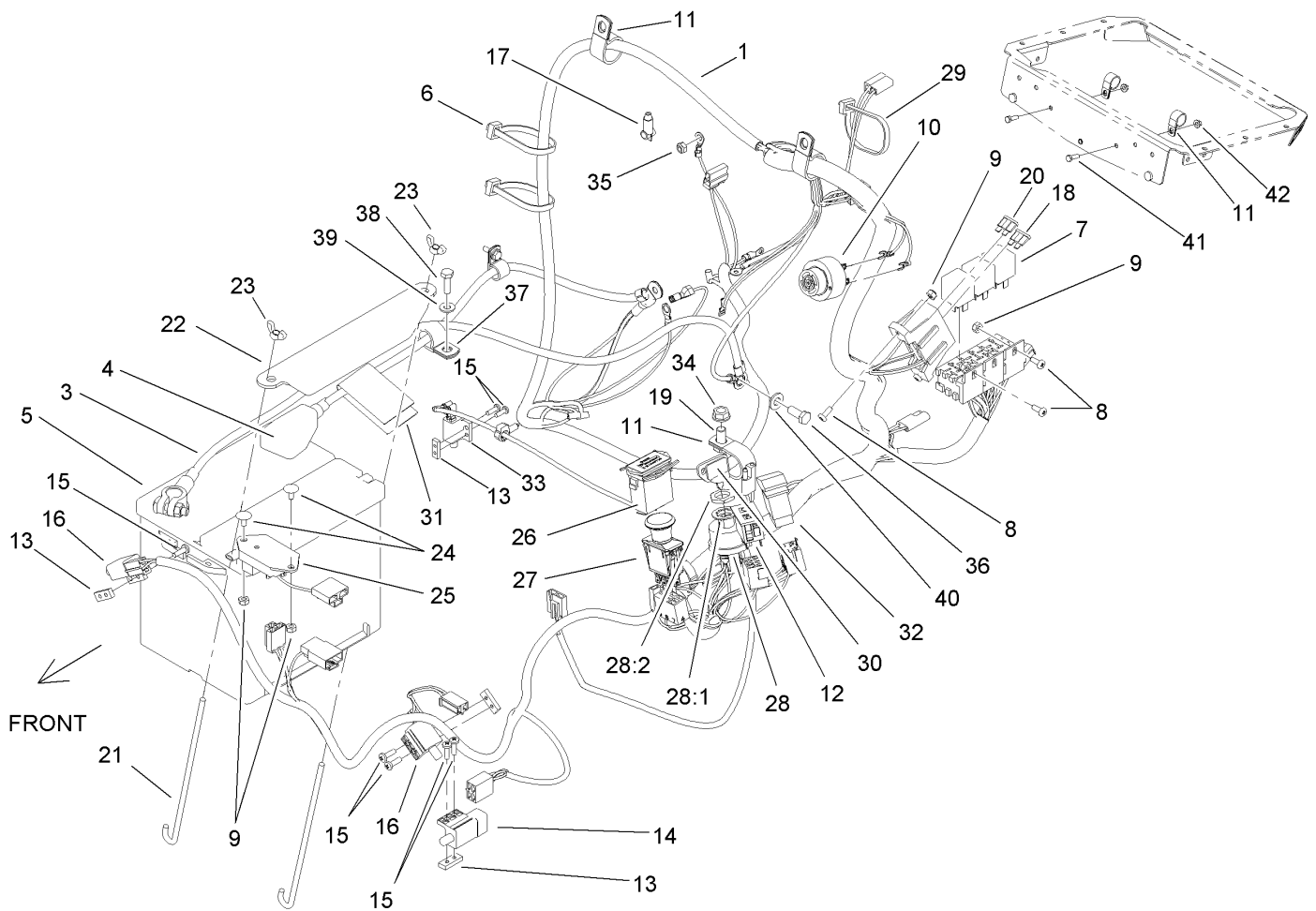
<i>Ref.</i>	<i>Part Number</i>	<i>Qty.</i>	<i>Description</i>
1	3231-4	4	Screw-CARR
2	106-3246-01	1	Deflector
3	106-3248-03	1	Strap-Discharge
4	108-5029	1	Deflector-Rubber
5	108-4059-01	1	Plate-Hinge, Rear
6	106-3253-01	1	Plate-Hinge, Front
7	3296-39	4	Nut-Lock, NI



## Lever Assembly No. 107-1664

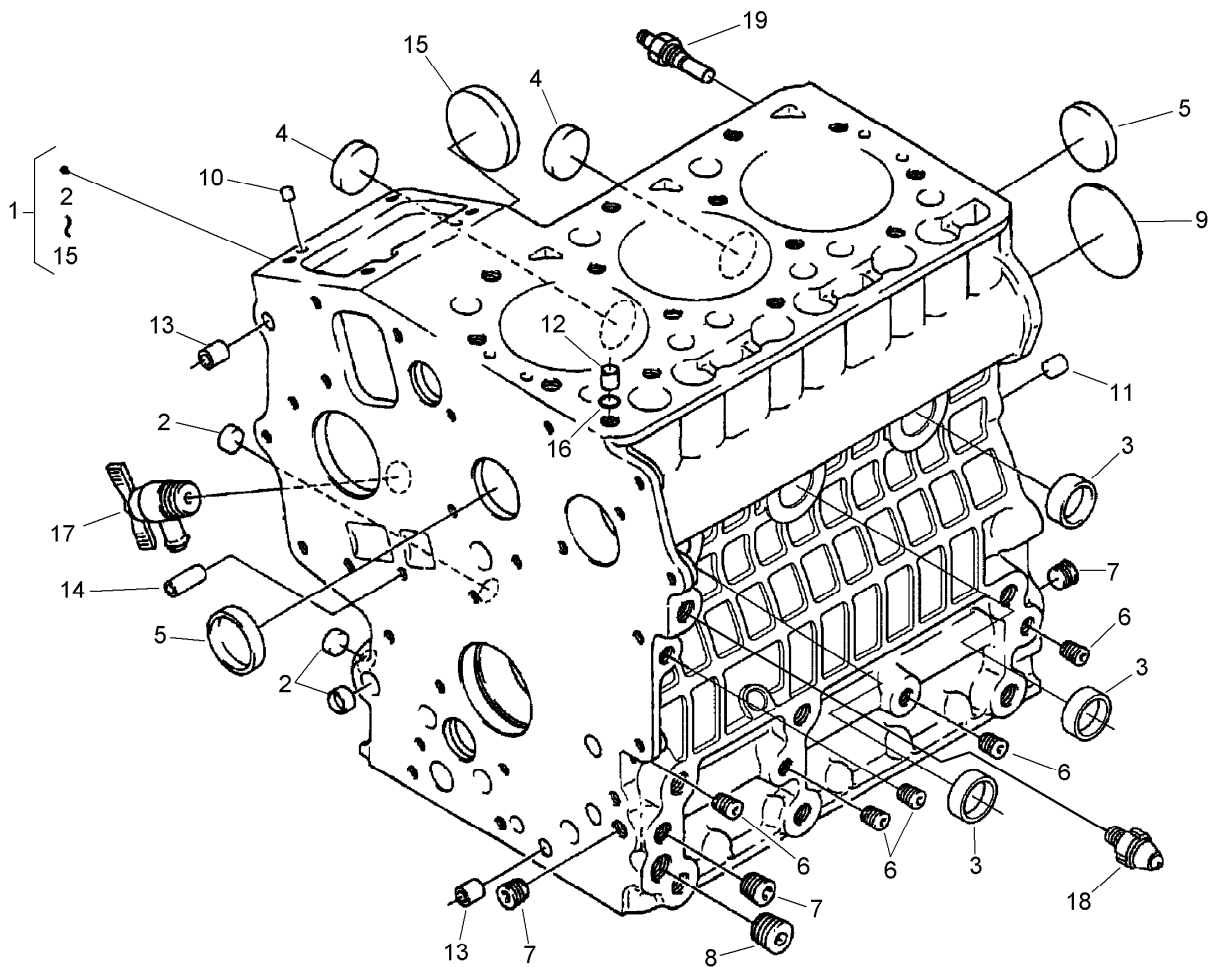
<i>Ref.</i>	<i>Part Number</i>	<i>Qty.</i>	<i>Description</i>
1	106-3239	1	Screw-Lock
2	107-1644	1	Cap-Lock
3	106-3241	1	Lever-Lock
4	3296-29	1	Nut-Lock, NI





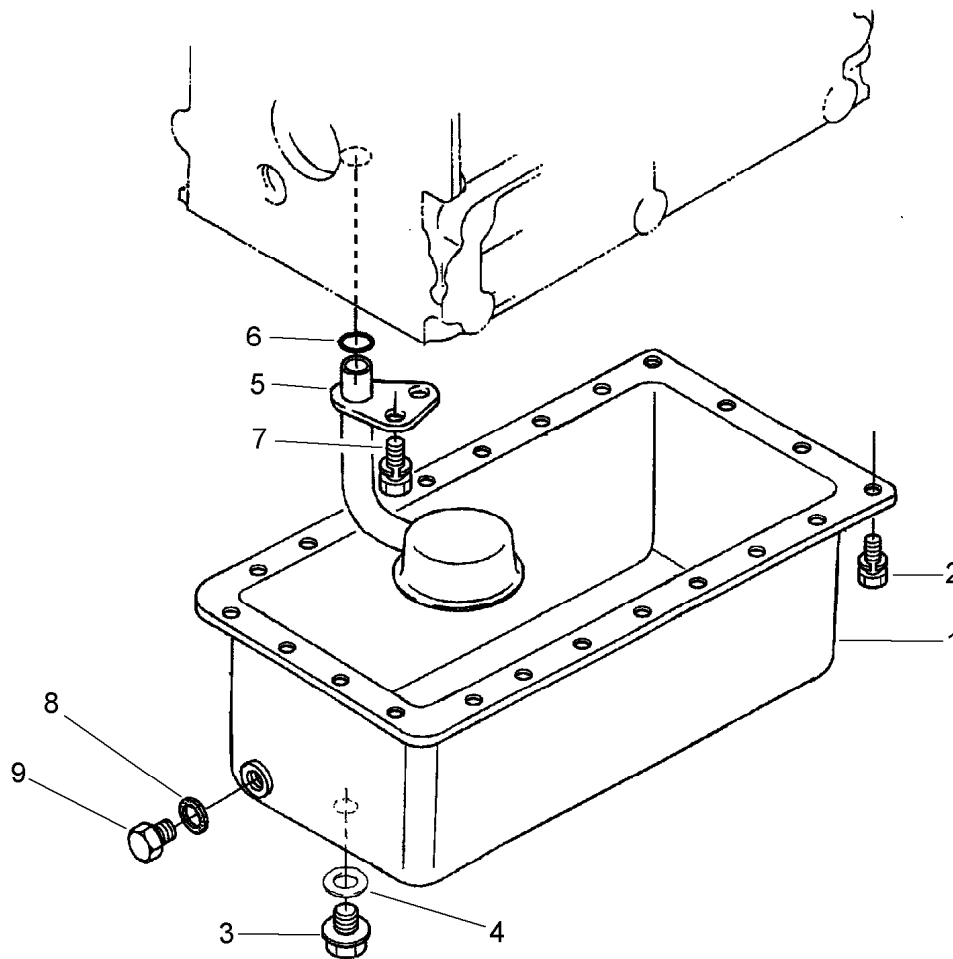
## Electrical Assembly

<i>Ref.</i>	<i>Part Number</i>	<i>Qty.</i>	<i>Description</i>	<i>Ref.</i>	<i>Part Number</i>	<i>Qty.</i>	<i>Description</i>
1	112-8315	1	Harness-Electrical, Main	24	1-807513	2	Bolt-CARR
3	110-0303	1	Cable-Battery, Negative	25	103-5218	1	Module-Delay, Seat
4	110-0304	1	Cable-Battery, Positive	26	1-513374	1	Meter-Hour
5	106-5187	1	Battery	27	103-5221	1	Switch-PTO
6	1-303335	7	Tie-Plastic	28	104-2541	1	Switch ASM
7	1-643275	3	Relay	28:1	218-461	1	Nut-HH
8	1-803071	4	Screw	28:2	3254-5	1	Washer-Tooth, Internal
9	3296-2	6	Nut-Lock, NI	29	1-303287	1	Tie-Cable
10	103-0205	1	Alarm-Tone, Dual	30	63-8360	2	Key-Ignition
11	1-643312	3	Clip-Loom	31	107-9309	1	Decal-Instructions, Charging
12	100-8071	1	Lamp-Warning	32	110-0811	1	Switch-Rocker
13	1-633181	4	Plate-Tapped	33	1-513152	1	Switch-Closed, Normally
14	1-633111	1	Switch	34	3290-357	1	Nut-HHF, Whiz
15	3290-500	8	Screw-PPH	35	33023-00	1	Nut-Lock
16	1-513051	2	Switch-Open, Normally	36	33114-016	1	Screw-HH
17	1-643178	1	Cap-Insulator, Red	37	1-633396	2	Clip-Loom
18	103-1368	1	Fuse-40 Amp	38	321-5	2	Screw-HH
19	323-4	1	Screw-HH	39	3256-22	2	Washer-Flat
20	109103	1	Fuse-30 Amp	40	3256-23	1	Washer-Flat
21	103-1312	2	Bolt-Holddown	41	322-5	2	Screw-HH
22	103-1311-03	1	Holddown-Battery	42	32128-20	2	Nut-HF
23	1-543792	2	Wingnut				



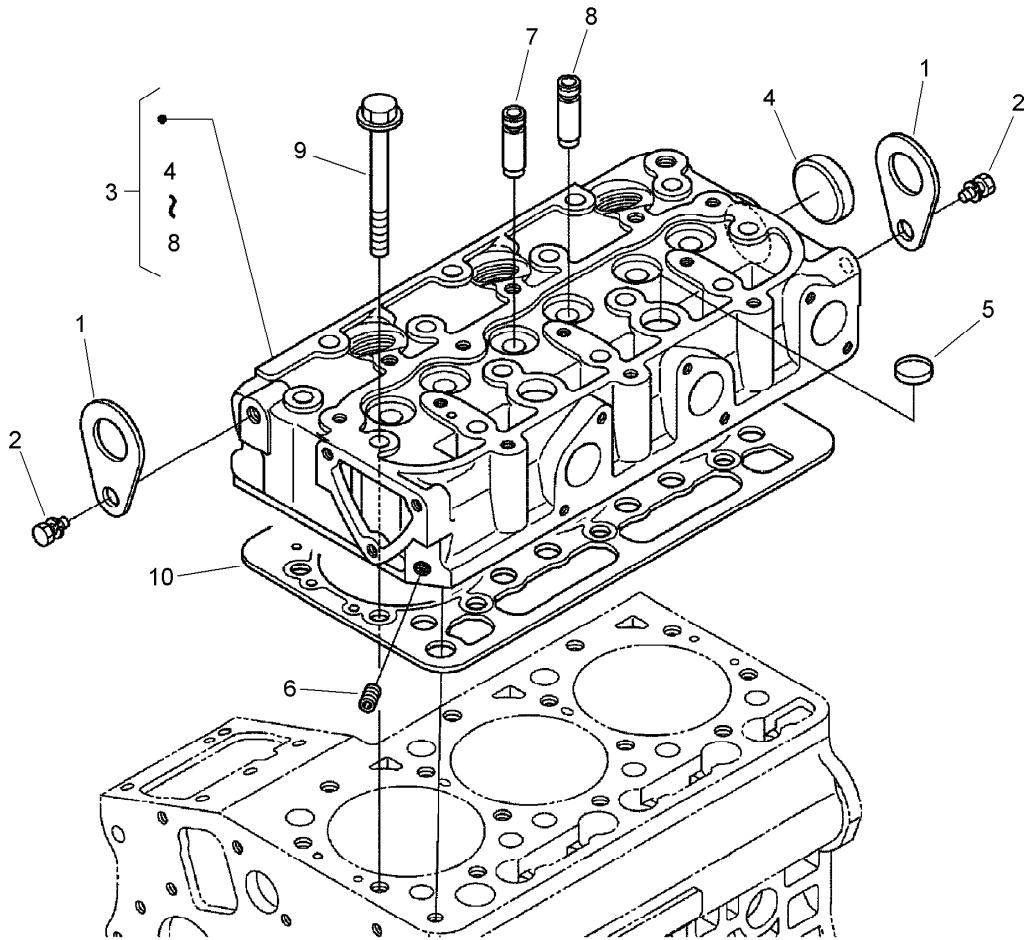
## Crankcase Assembly

<i>Ref.</i>	<i>Part Number</i>	<i>Qty.</i>	<i>Description</i>
1	112-8324	1	Crankcase
2	100-2019	3	Cap-Sealing
3	100-2020	3	Cap-Sealing
4	110-3702	2	Cap-Sealing
5	98-9398	2	Cap-Sealing
6	98-7540	5	Plug
7	98-7487	3	Plug
8	98-7488	1	Plug
9	100-1851	1	Plug-Expansion
10	98-9375	2	Pin-Straight
11	98-9377	2	Pin-Straight
12	98-7506	1	Pin-Pipe
13	98-9387	2	Pin-Pipe
14	100-2051	2	Pin-Pipe
15	100-1991	1	Cover-Fuel, Camshaft
16	98-7509	1	O-Ring
17	98-9436	1	Drain Cock ASM
18	100-2230	1	Switch-Oil
19	99-3582	1	Thermoswitch



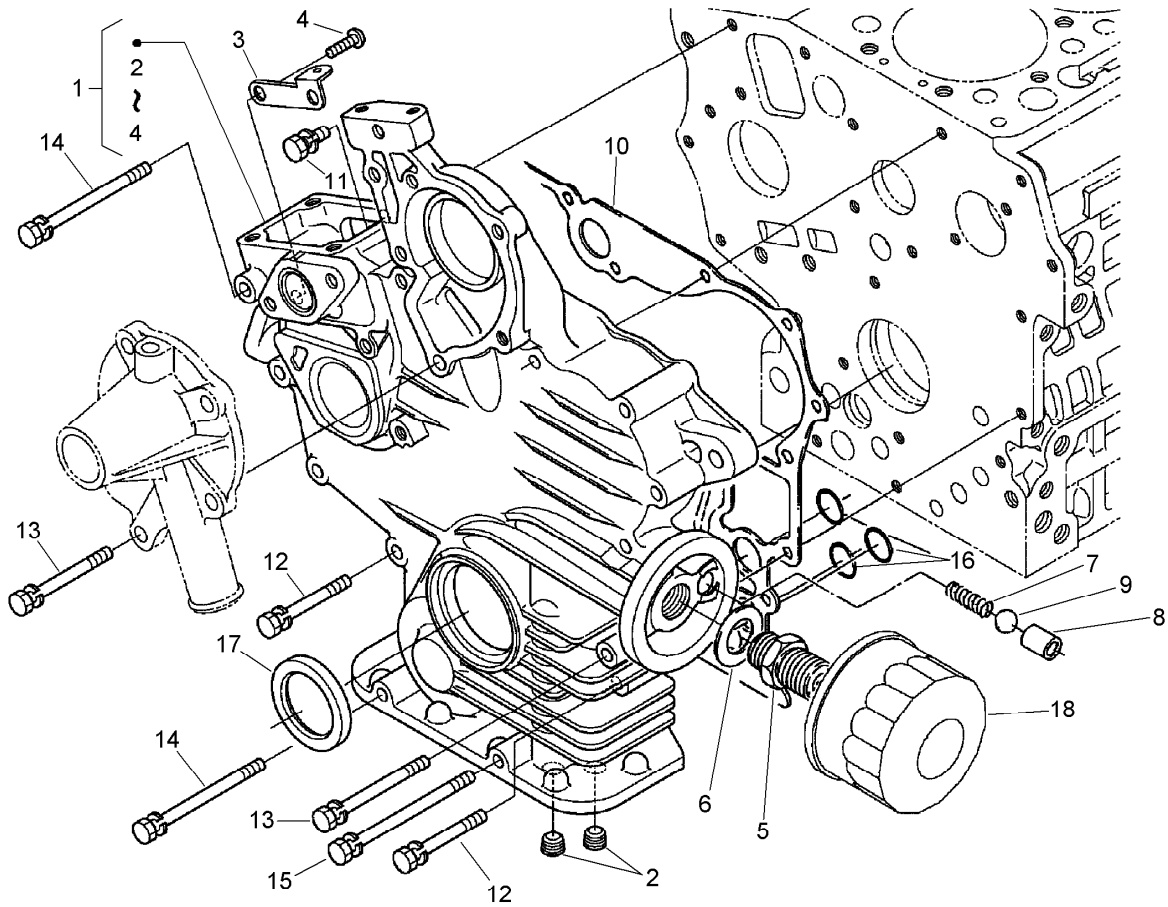
## Oil Pan Assembly

<i>Ref.</i>	<i>Part Number</i>	<i>Qty.</i>	<i>Description</i>
1	110-3703	1	Oil Pan ASM
2	98-9351	22	Bolt
3	98-7523	1	Plug-Drain
4	110-9715	1	Gasket-Pan, Oil
5	100-2001	1	Strainer-Pickup, Oil
6	100-2205	1	O-Ring
7	100-9195	1	Bolt
8	110-3704	1	Gasket
9	114-8151	1	Plug-Drain



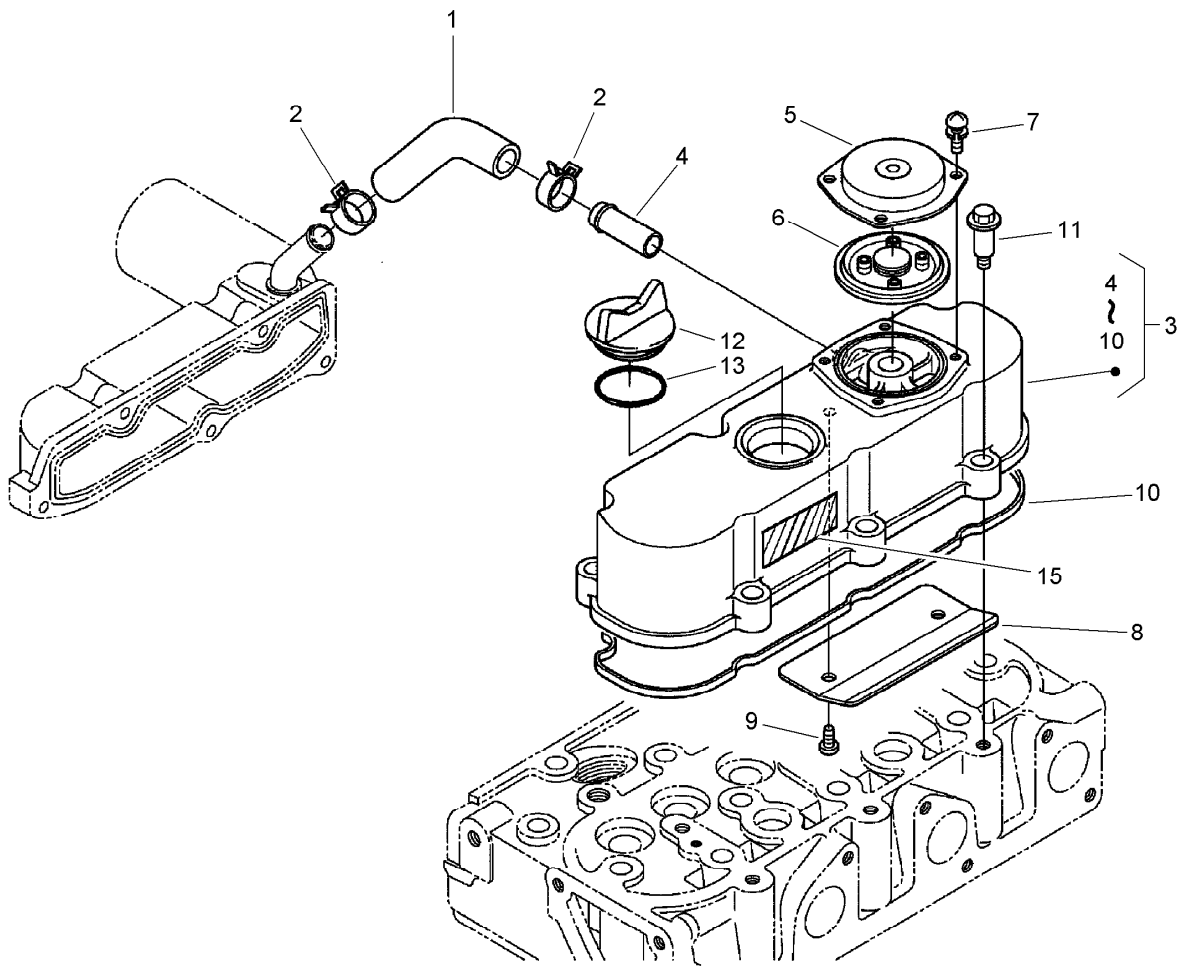
## Cylinder Head Assembly

<i>Ref.</i>	<i>Part Number</i>	<i>Qty.</i>	<i>Description</i>
1	98-7531	2	Hook-Engine
2	98-7526	2	Bolt
3	110-3705	1	Head-Cylinder
4	98-9395	1	Cap-Sealing
5	98-9389	2	Cap-Sealing
6	98-7540	1	Plug
7	100-1882	3	Guide-Valve, Inlet
8	100-1883	3	Guide-Valve, Exhaust
9	100-1820	14	Bolt-Head, Cylinder
10	110-3706	1	Gasket-Head, Cylinder



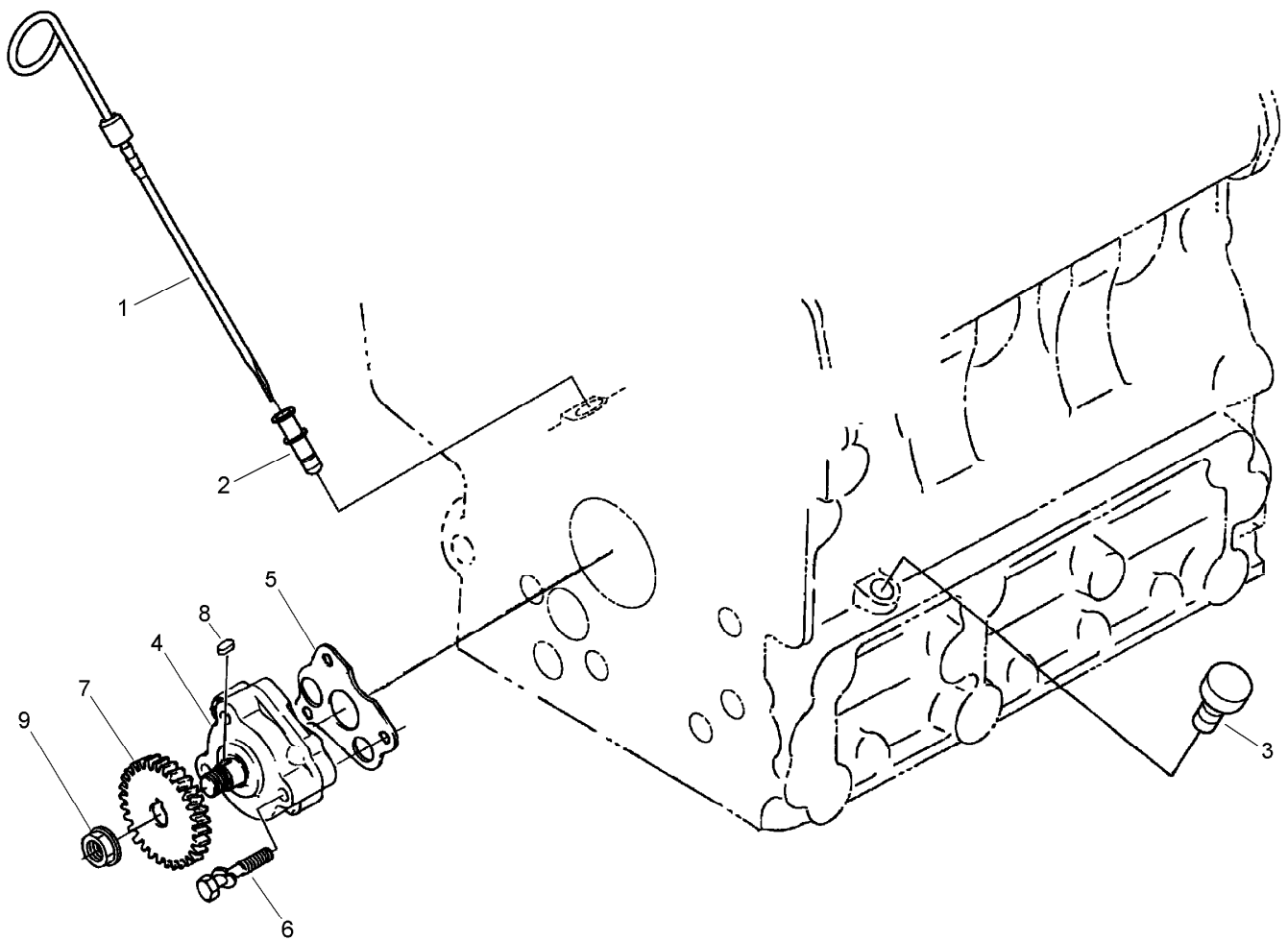
## Gear Case and Oil Filter Cartridge Assembly

<i>Ref.</i>	<i>Part Number</i>	<i>Qty.</i>	<i>Description</i>
1	110-3707	1	Case-Gear
2	98-7488	2	Plug
3	110-3708	1	Stay-Spring, Start
4	100-2040	2	Screw
5	98-9388	1	Joint-Pipe
6	100-1926	1	Washer-Plain
7	100-2004	1	Spring
8	100-1894	1	Seat-Valve
9	100-1792	1	Ball
10	110-3709	1	Gasket-Gearcase
11	98-7605	1	Bolt
12	98-9355	9	Bolt
13	100-1922	2	Bolt
14	98-9357	2	Bolt
15	110-3710	1	Bolt
16	100-1785	3	O-Ring
17	100-1971	1	Seal-Oil
18	100-1892	1	Cartridge-Filter, Oil



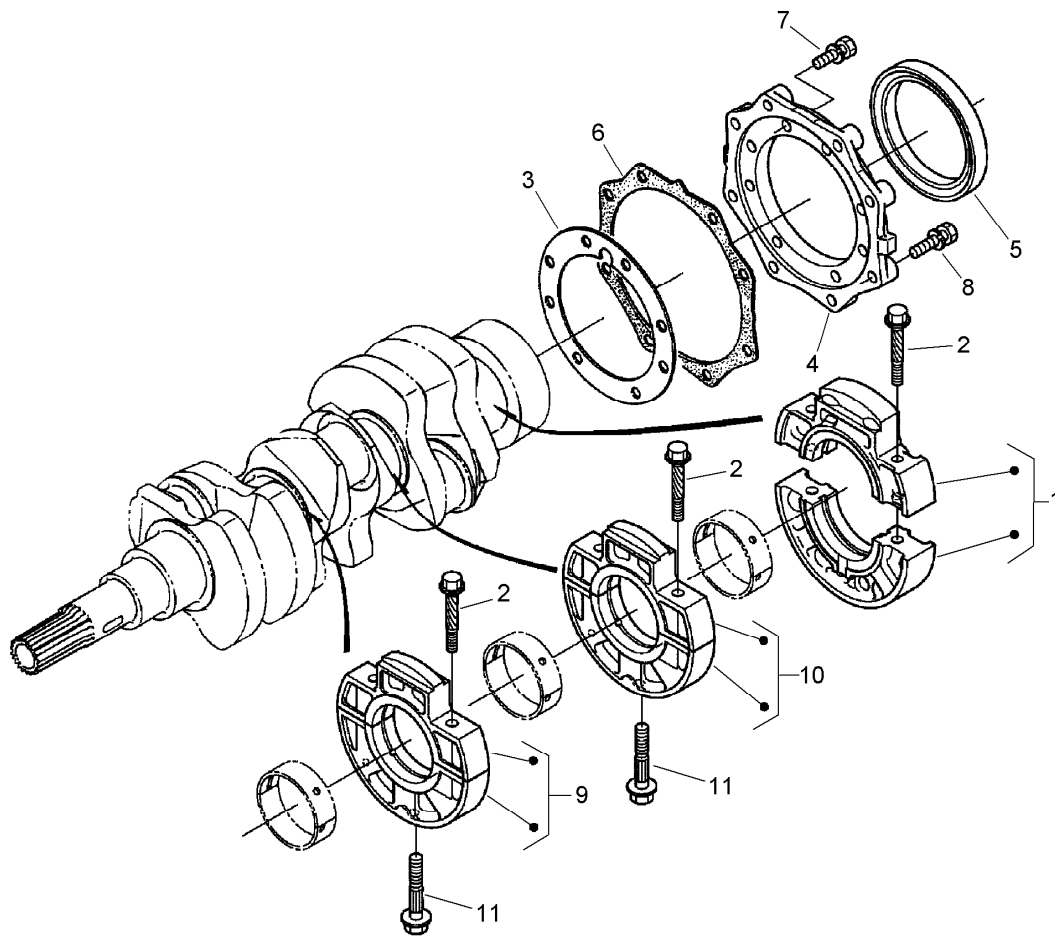
## Head Cover Assembly

<i>Ref.</i>	<i>Part Number</i>	<i>Qty.</i>	<i>Description</i>
1	110-3711	1	Tube-Breather
2	110-3712	2	Clamp-Hose
3	110-3713	1	Cylinder Head Cover ASM
4	98-9580	1	Pipe-Return, Water
5	110-3714	1	Cover-Breather
6	110-3715	1	Valve-Breather
7	98-9364	4	Screw (With Washer)
8	110-3716	1	Shield-Breather
9	100-2040	2	Screw
10	110-3717	1	Gasket-Cover, Head
11	108-7063	6	Bolt
12	107-9075	1	Plug-Filler, Oil
13	99-3446	1	O-Ring
15	110-3843	1	Label-Instruction



## Dipstick, Guide and Oil Pump Assembly

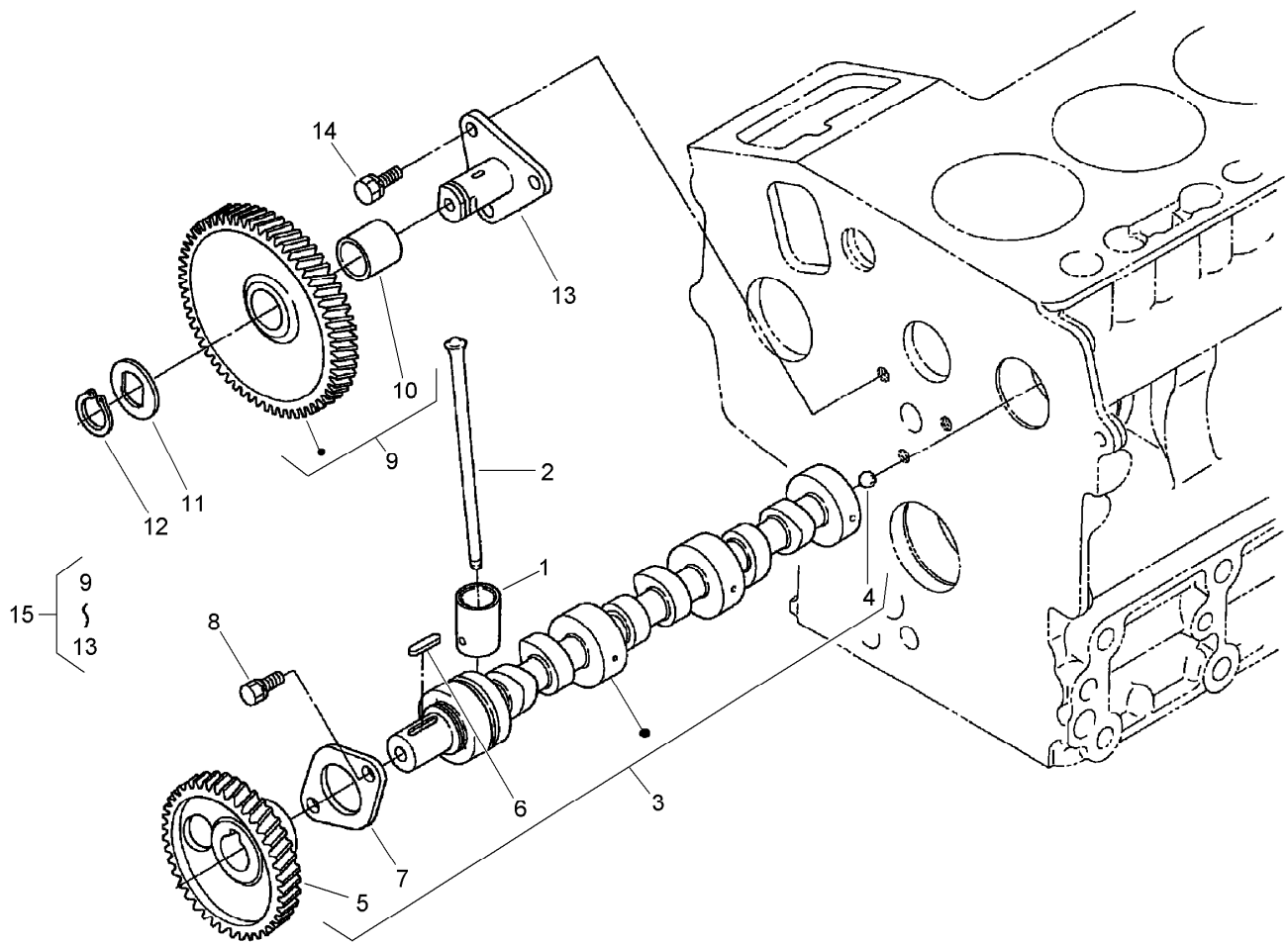
<i>Ref.</i>	<i>Part Number</i>	<i>Qty.</i>	<i>Description</i>
1	110-3719	1	Gauge-Oil
2	105-4580	1	Guide-Gauge, Oil
3	110-3720	1	Plug-Gauge, Oil
4	100-2002	1	Oil Pump ASM
5	100-1958	1	Gasket-Pump, Oil
6	100-1923	3	Bolt
7	100-1893	1	Gear-Drive, Oil Pump
8	98-7658	1	Key-Feather
9	100-1779	1	Nut-Flange



## Main Bearing Case Assembly

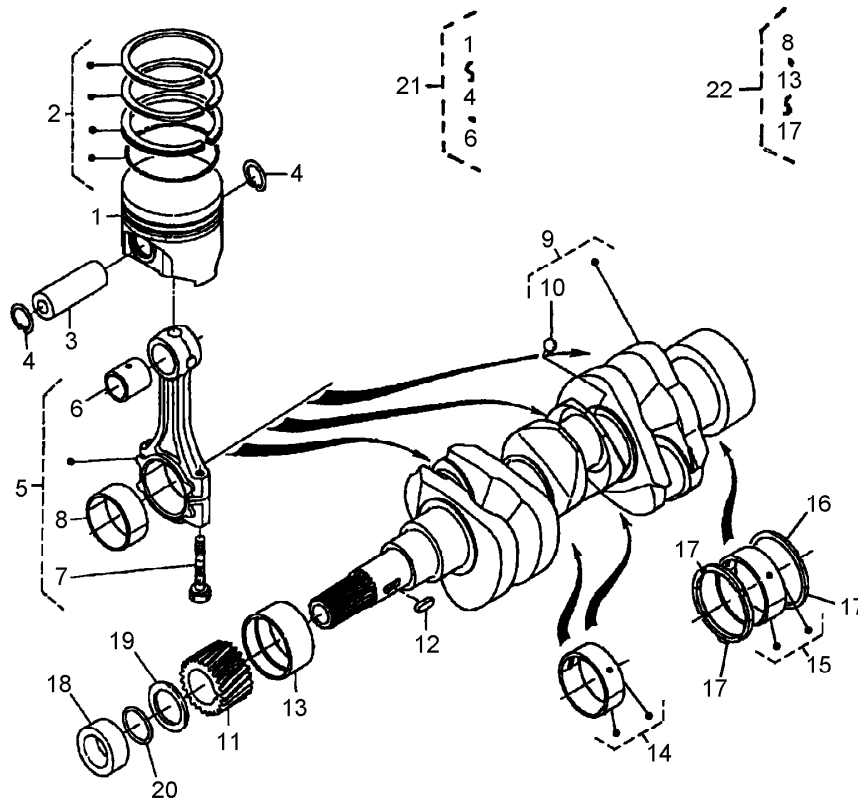
<i>Ref.</i>	<i>Part Number</i>	<i>Qty.</i>	<i>Description</i>
1	110-3722	1	Main Bearing Case ASM
2	110-3723	6	Bolt-Case, Bearing
3	100-1873	1	Gasket-Case, Bearing
4	100-1875	1	Cover-Case, Bearing
5	110-3724	1	Seal-Oil
6	100-1876	1	Gasket-Case, Bearing
7	98-7568	8	Bolt
8	100-1750	8	Bolt
9	110-3725	1	Main Bearing Case ASM
10	112-8345	1	Main Bearing Case ASM
11	100-1874	2	Bolt-Case, Bearing





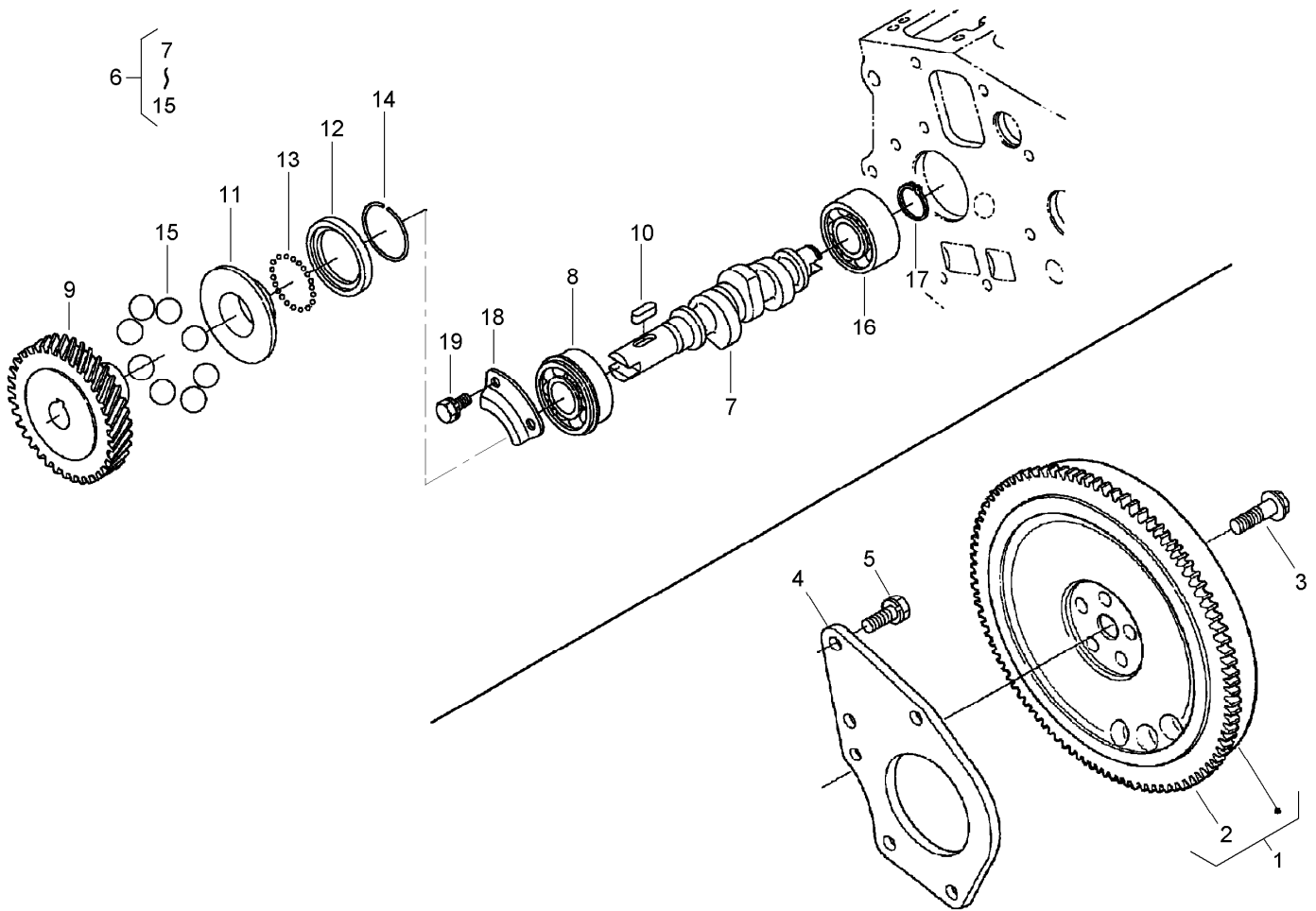
## Camshaft and Idle Gear Shaft Assembly

<i>Ref.</i>	<i>Part Number</i>	<i>Qty.</i>	<i>Description</i>
1	110-3727	6	Tappet
2	100-1989	6	Rod-Push
3	110-3728	1	Camshaft ASM
4	110-3729	1	Ball
5	100-2163	1	Gear-Cam
6	98-9378	1	Key-Feather
7	100-1887	1	Camshaft-Stopper
8	98-9350	2	Bolt
9	100-1966	1	Gear-Idle
10	100-1968	1	Bushing
11	100-1970	1	Collar-Gear, Idle
12	100-1969	1	Ring-Snap
13	100-1967	1	Shaft-Gear, Idle
14	98-9351	1	Bolt
15	100-2240	1	Idle Gear ASM



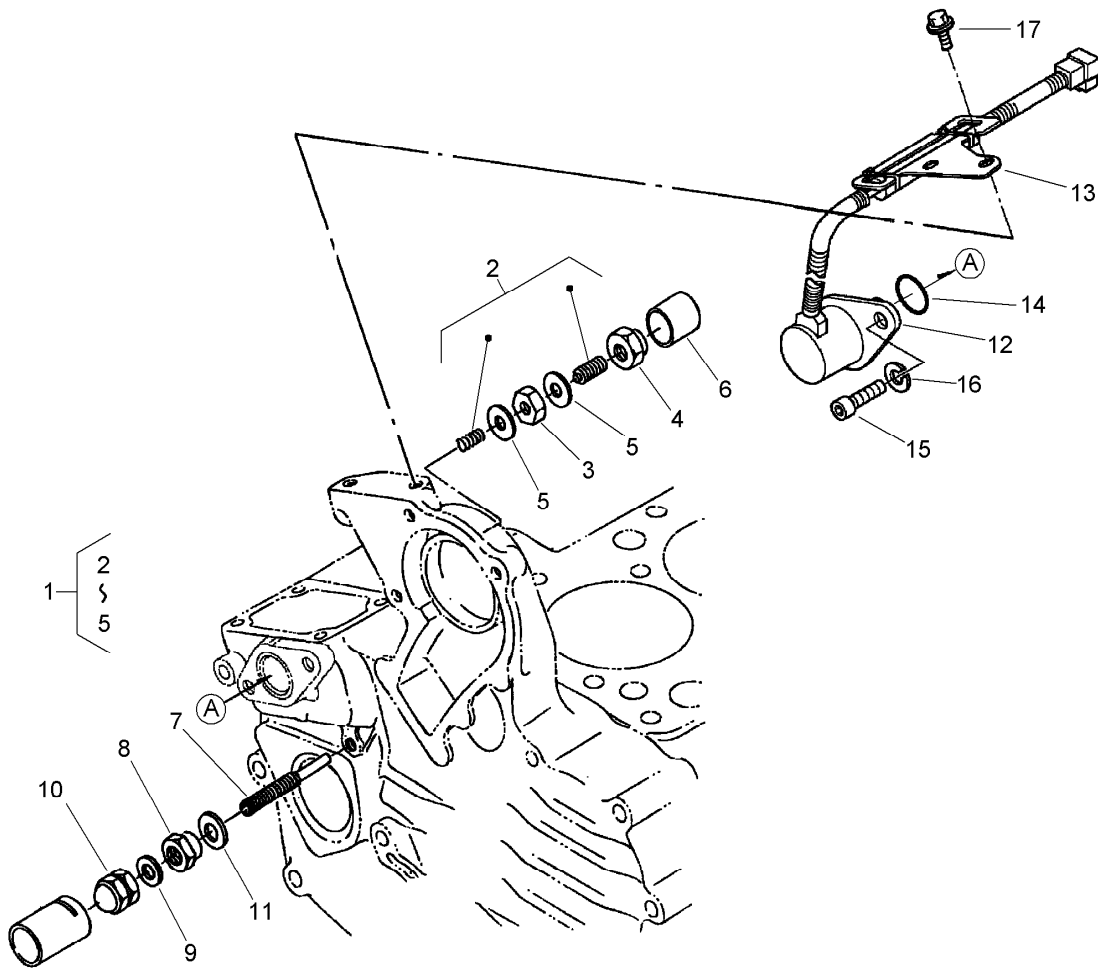
## Piston and Crankshaft Assembly

Ref.	Part Number	Qty.	Description	Ref.	Part Number	Qty.	Description
1	112-8399	3	Piston +.25Mm	14	110-3741	2	Crankshaft Metal ASM (STD)
1	112-8398	3	Piston STD	15	110-3746	1	Crankshaft Metal ASM
2	110-3732	3	Piston Ring ASM (STD)	15	110-3745	1	Crankshaft Metal ASM
2	110-3733	3	Piston Ring ASM (+.25Mm)	15	110-3744	1	Crankshaft Metal ASM (STD)
3	110-3734	3	Pin-Piston	16	100-1839	2	Metal-Side
4	100-1835	6	Clip-Pin, Piston	16	100-1838	2	Metal-Side
5	110-3735	3	Connecting Rod ASM	16	100-1836	2	Metal-Side
6	110-3736	3	Bushing-Pin, Piston	17	100-1841	2	Metal-Side (+0.4Mm)
7	100-1999	6	Bolt-Rod, Connecting	17	100-1840	2	Metal-Side (+0.2Mm)
8	100-2000	3	Metal-Crankpin	17	100-1837	2	Metal-Side (STD)
8	100-1943	3	Crankpin-Metal	18	100-1890	1	Collar-Crankshaft
8	100-1942	3	Crankpin-Metal	19	100-1974	1	Slinger-Oil
9	110-3737	1	Crankshaft	20	100-2209	1	O-Ring
10	100-1791	3	Ball	21	110-3747	3	Piston Kit (STD)
11	100-1891	1	Gear-Crankshaft	21	110-3748	3	Piston Kit
12	100-1752	1	Key-Feather	22	110-3751	1	Engine Metal Kit
13	110-3738	1	Metal-Crankshaft	22	110-3750	1	Engine Metal Kit
13	110-3739	1	Metal-Crankshaft	22	110-3749	1	Engine Metal Kit
13	110-3740	1	Metal-Crankshaft				
14	110-3743	2	Crankshaft Metal ASM				
14	110-3742	2	Crankshaft Metal ASM				



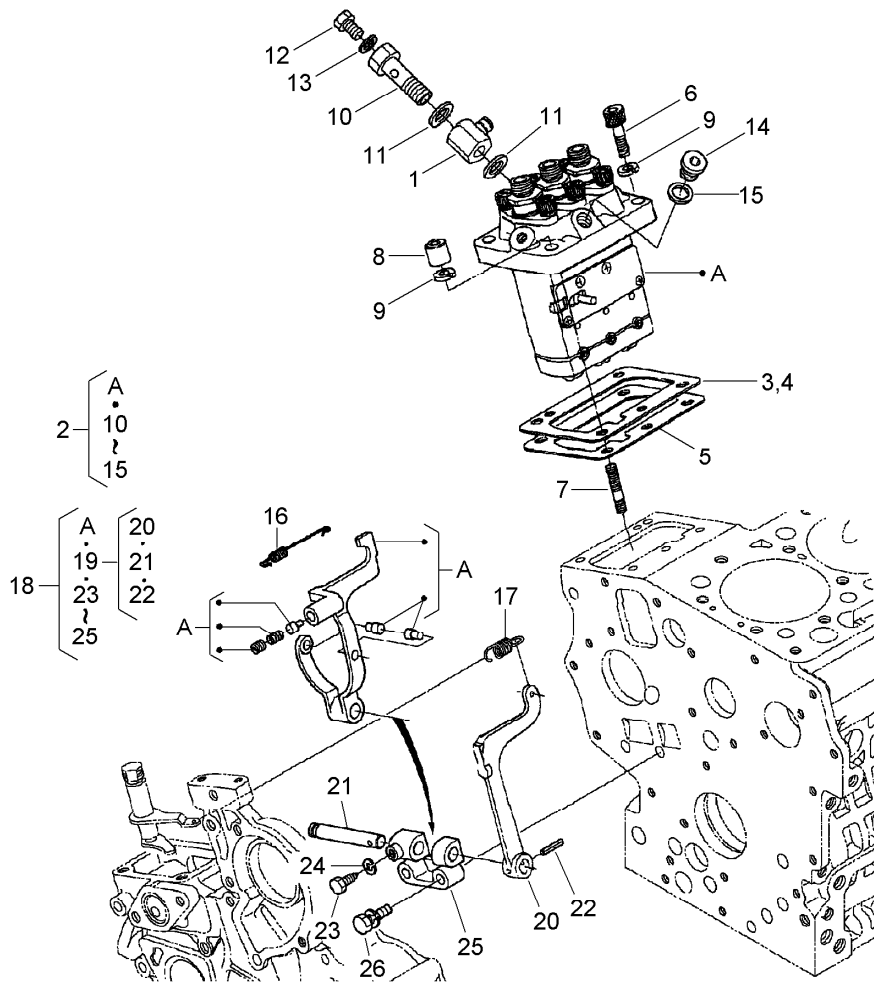
## Flywheel, Fuel Camshaft and Governor Shaft Assembly

Ref.	Part Number	Qty.	Description
1	110-3752	1	Flywheel
2	100-2156	1	Gear-Ring
3	100-1930	5	Bolt-Flywheel
4	110-3753	1	Plate-End, Rear
5	110-3754	3	Bolt
6	110-3755	1	Fuel Camshaft ASM
7	110-3756	1	Camshaft-Fuel
8	100-1795	1	Bearing-Ball
9	100-2006	1	Gear-Pump, Injection
10	100-1752	1	Key-Feather
11	100-1903	1	Sleeve-Governor
12	100-1904	1	Case-Ball, Governor
13	100-1790	32	Ball
14	100-1843	1	Clip-Sleeve, Governor
15	100-1793	8	Ball
16	110-3757	1	Bearing-Ball
17	100-1784	1	Clip-External
18	100-1888	1	Stopper-Fuel, Camshaft
19	98-9350	2	Bolt



## Idle Apparatus and Stop Solenoid Assembly

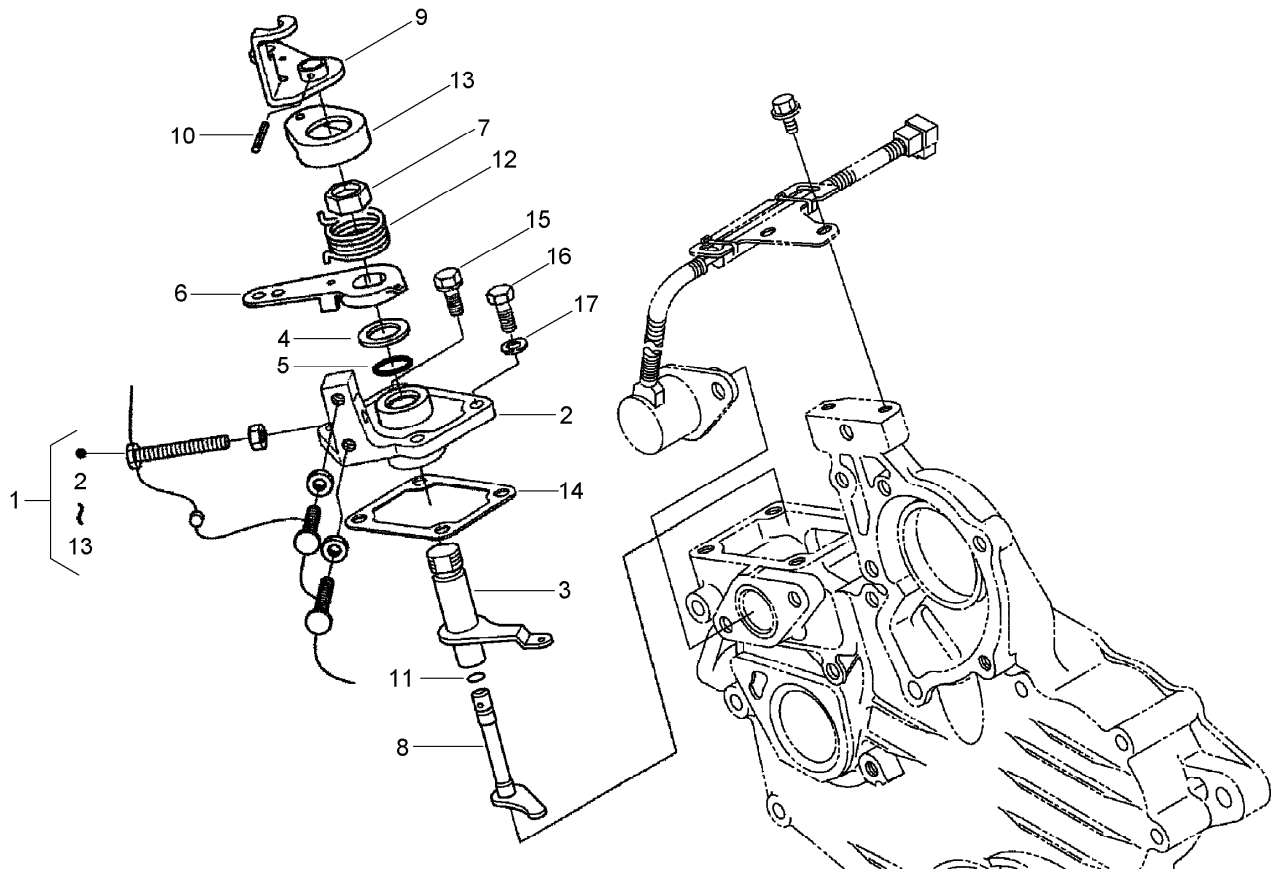
Ref.	Part Number	Qty.	Description
1	100-1898	1	Idle Apparatus ASM
2	100-1899	1	Adjusting Bolt ASM
3	100-1846	1	Nut
4	100-1901	1	Nut-Cap
5	98-7428	2	Gasket
6	100-1902	1	Cap
7	110-3758	1	Bolt-Adjusting
8	100-2175	1	Nut-Lock
9	98-7654	1	Gasket
10	98-9441	1	Nut-Cap
11	107-9081	1	Gasket
12	110-3760	1	Solenoid-Stop
13	110-3761	1	Stay-Commander, Coil
14	110-3762	1	O-Ring
15	110-3763	2	Bolt-HSH
16	98-7515	2	Washer-Spring
17	100-1774	2	Bolt-Flange



## Injection Pump and Governor Assembly

<i>Ref.</i>	<i>Part Number</i>	<i>Qty.</i>	<i>Description</i>
1	110-3764	1	Joint
2	110-3765	1	Injection Pump ASM
3	100-1951	1	Shim-Pump, Injection
4	100-1952	1	Shim-Pump, Injection
5	98-9458	1	Shim-Injection (0.30Mm)
6	98-9361	2	Bolt-HSH
7	98-9438	2	Stud
8	98-9440	2	Nut-Cap
9	98-7515	4	Washer-Spring
10	100-1896	1	Screw-Hollow
11	98-9445	2	Gasket
12	98-9430	1	Screw
13	98-9446	1	Gasket

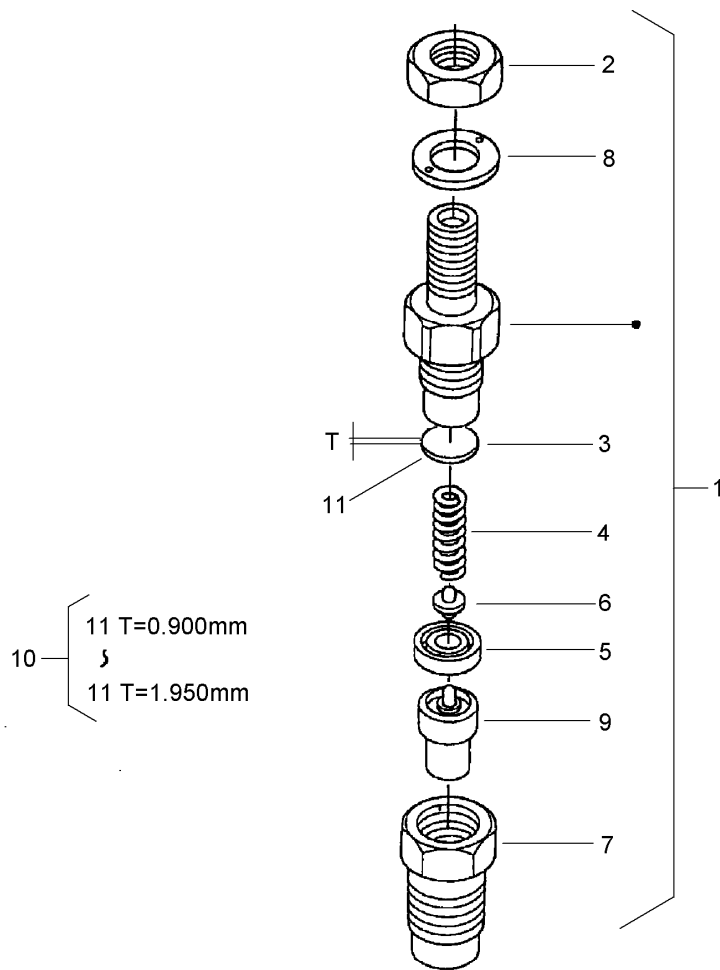
<i>Ref.</i>	<i>Part Number</i>	<i>Qty.</i>	<i>Description</i>
14	98-9466	1	Plug
15	98-9451	1	Gasket
16	110-3766	1	Spring-Start
17	110-3767	1	Spring-Governor
18	110-3768	1	Fork Lever ASM
19	100-1905	1	Fork Lever ASM
20	100-1907	1	Lever-Fork
21	100-1908	1	Shaft-Lever, Fork
22	100-1751	1	Pin-Spring
23	100-1845	1	Bolt
24	100-1783	1	*obs* Washer-Spring
25	100-1909	1	Holder-Lever, Fork
26	100-1763	2	Bolt



## Speed Control Plate Assembly

Ref.	Part Number	Qty.	Description
1	110-3769	1	Speed Control Plate ASM
2	110-3770	1	Plate-Control, Speed
3	110-3771	1	Lever-Governor
4	110-3772	1	Collar
5	100-2208	1	O-Ring
6	110-3773	1	Lever-Control, Speed
7	110-3774	1	Nut-Control, Speed
8	110-3775	1	Shaft-Lever
9	110-3776	1	Lever-Stop, Engine
10	110-3777	1	Pin-Spring
11	100-2207	1	O-Ring
12	110-3778	1	Spring-Return
13	110-3779	1	Cap
14	100-1962	1	Gasket-Plate, Control
15	98-7605	2	Bolt
16	99-8348	2	Bolt
17	98-7654	2	Gasket

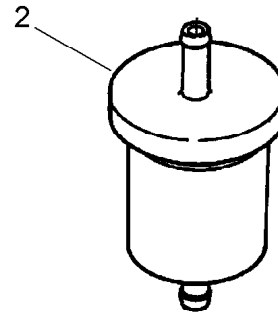
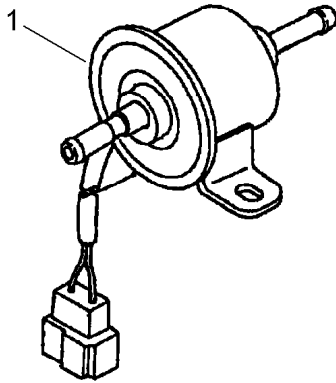




## Nozzle Holder Assembly

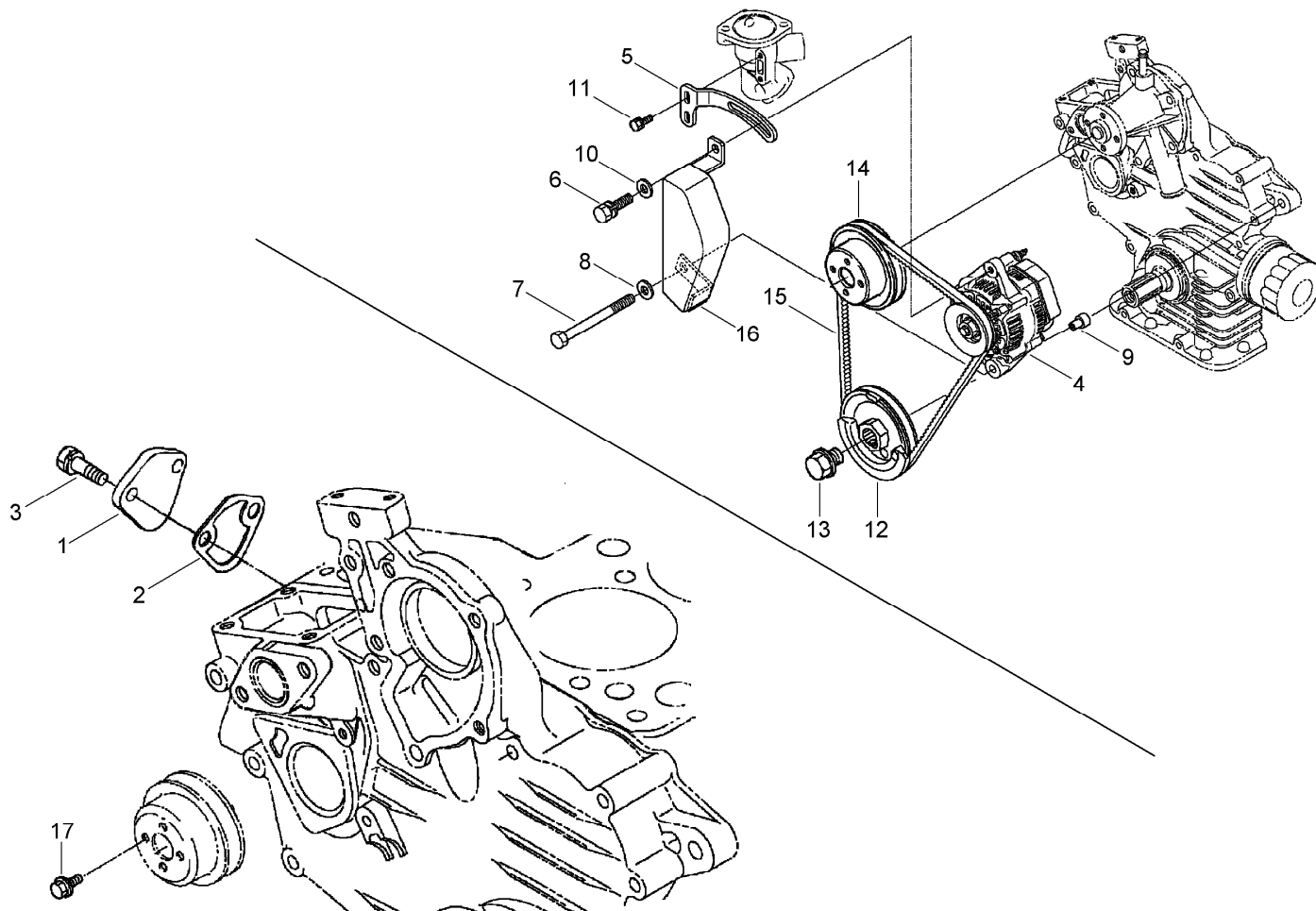
<i>Ref.</i>	<i>Part Number</i>	<i>Qty.</i>	<i>Description</i>	<i>Ref.</i>	<i>Part Number</i>	<i>Qty.</i>	<i>Description</i>
1	100-1760	3	Nozzle Holder ASM	11	98-7857	3	Washer-Adjusting
2	98-7613	3	Nut	11	98-7858	3	Washer-Adjusting
3	98-7642	3	Washer-Adjusting	11	98-7859	3	Washer-Adjusting
4	98-7647	3	Spring-Nozzle	11	98-7860	3	Washer-Adjusting
5	98-7665	3	Spacer-Distance	11	98-7861	3	Washer-Adjusting
6	98-7666	3	Rod-Push	11	98-7862	3	Washer-Adjusting
7	98-7667	3	Nut-Nozzle	11	98-7863	3	Washer-Adjusting
8	98-7668	3	Washer	11	98-7864	3	Washer-Adjusting
9	100-2009	3	Piece-Nozzle	11	98-7865	3	Washer-Adjusting
10	98-9448	3	Adjusting Washer ASM	11	98-7866	3	Washer-Adjusting
11	98-7642	3	Washer-Adjusting	11	98-7867	3	Washer-Adjusting
11	98-7841	3	Washer-Adjusting	11	98-7868	3	Washer-Adjusting
11	98-7842	3	Washer-Adjusting	11	98-7869	3	Washer-Adjusting
11	98-7843	3	Washer-Adjusting	11	98-7870	3	Washer-Adjusting
11	98-7844	3	Washer-Adjusting	11	98-7871	3	Washer-Adjusting
11	98-7845	3	Washer-Adjusting	11	98-7872	3	Washer-Adjusting
11	98-7846	3	Washer-Adjusting	11	98-7873	3	Washer-Adjusting
11	98-7847	3	Washer-Adjusting	11	98-7874	3	Washer-Adjusting
11	98-7848	3	Washer-Adjusting	11	98-7875	3	Washer-Adjusting
11	98-7849	3	Washer-Adjusting	11	98-7876	3	Washer-Adjusting
11	98-7850	3	Washer-Adjusting	11	98-7877	3	Washer-Adjusting
11	98-7851	3	Washer-Adjusting	11	98-7878	3	Washer-Adjusting
11	98-7852	3	Washer-Adjusting	11	98-7879	3	Washer-Adjusting
11	98-7853	3	Washer-Adjusting	11	98-7880	3	Washer-Adjusting
11	98-7854	3	Washer-Adjusting	11	98-7881	3	Washer-Adjusting
11	98-7855	3	Washer-Adjusting	11	98-7882	3	Washer-Adjusting
11	98-7856	3	Washer-Adjusting				





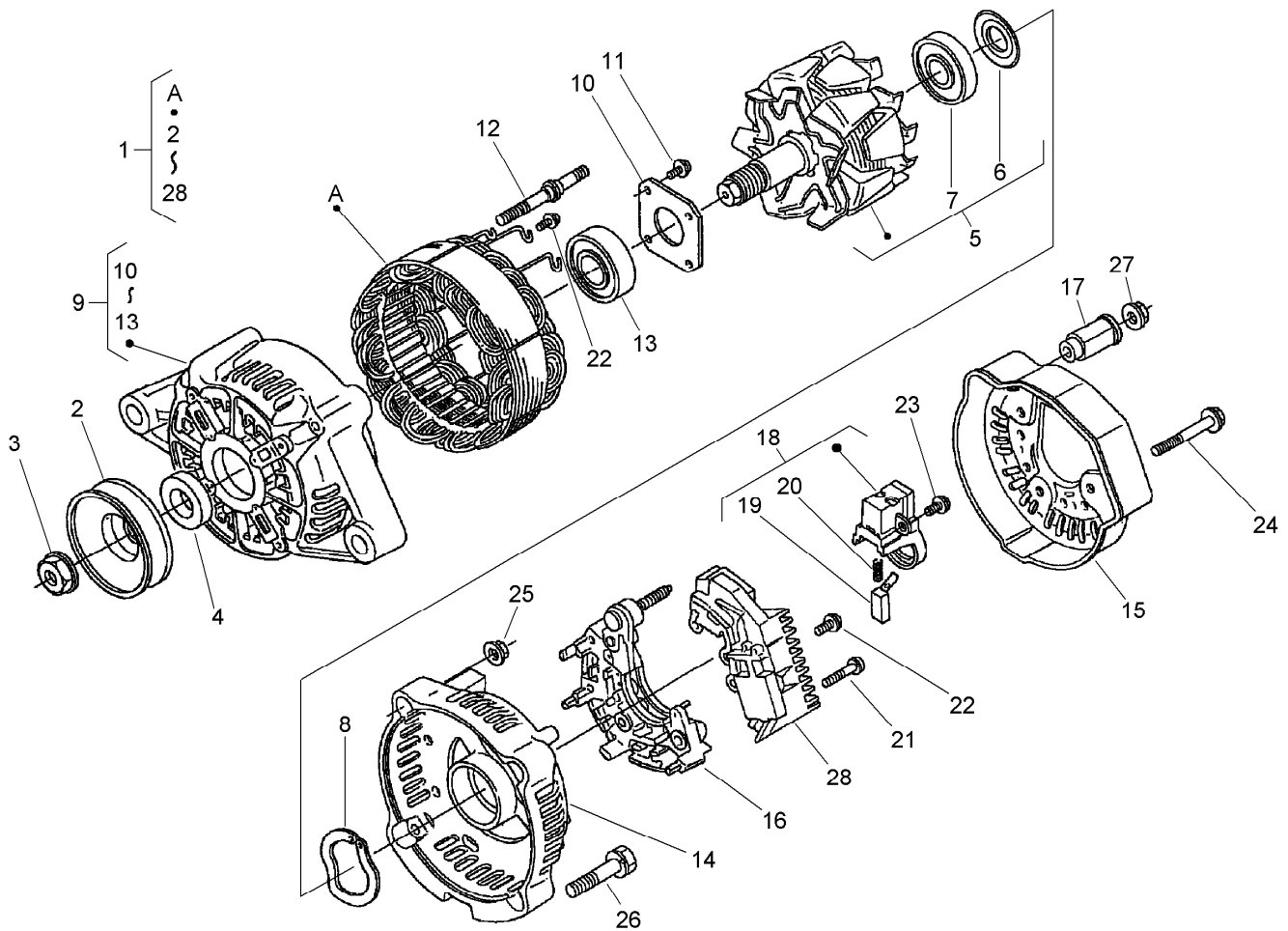
## Fuel Pump and Filter Assembly

<i>Ref.</i>	<i>Part Number</i>	<i>Qty.</i>	<i>Description</i>
1	107-0122	1	Pump-Fuel, Electric
2	98-7612	2	Filter-Fuel



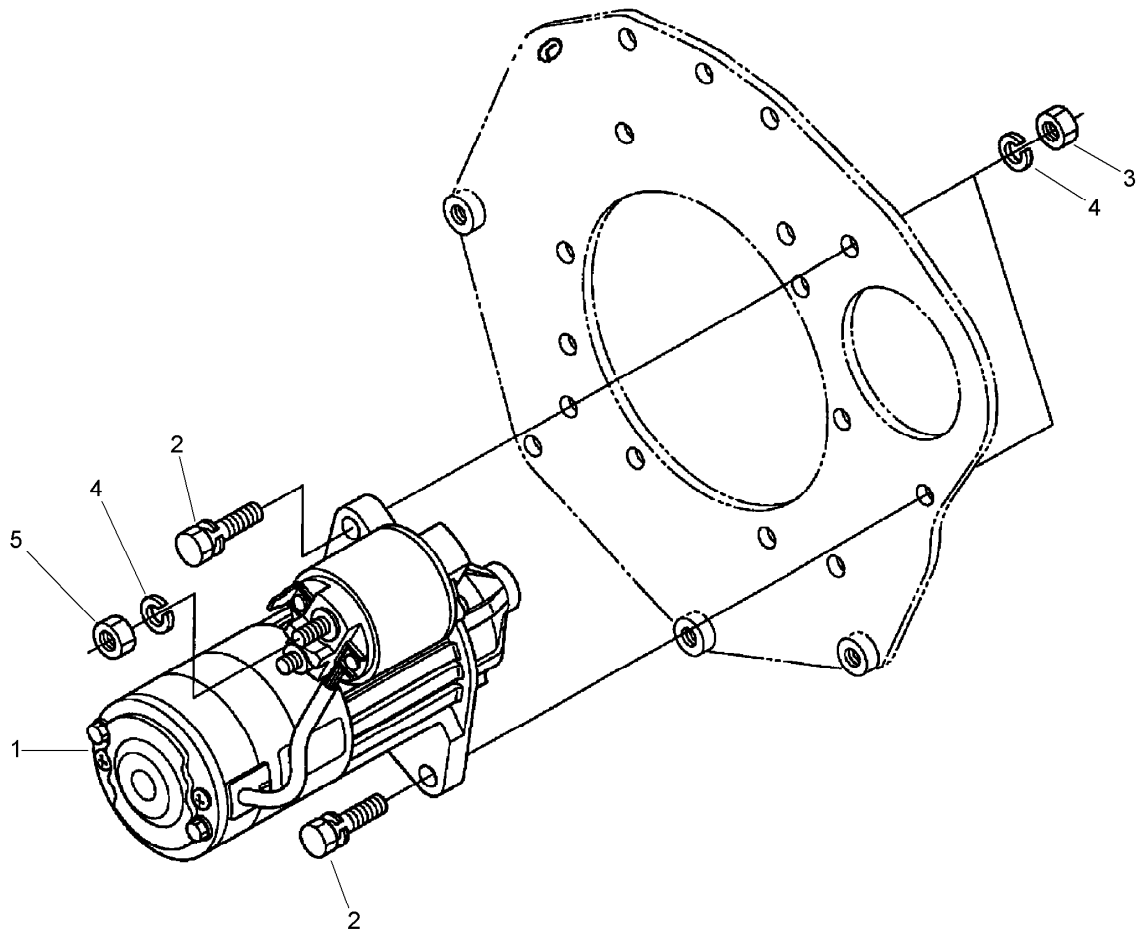
## Alternator, Pulley and Fuel Pump Cover Assembly

Ref.	Part Number	Qty.	Description
1	99-3514	1	Cover
2	100-1961	1	Gasket-Pump, Fuel
3	98-7692	2	Bolt
4	98-9474	1	Alternator ASM
5	110-3792	1	Stay-Alternator
6	98-7697	1	Bolt
7	110-3793	1	Bolt
8	98-7660	1	Washer-Plain
9	110-3794	1	Collar
10	100-9233	1	Washer-Plain
11	98-7692	2	Bolt
12	110-3795	1	Pulley-Drive, Fan
13	100-1978	1	Bolt
14	100-1921	1	Pulley-Fan
15	110-3796	1	Belt-V
16	110-3797	1	Cover
17	99-8363	4	Bolt-Flange



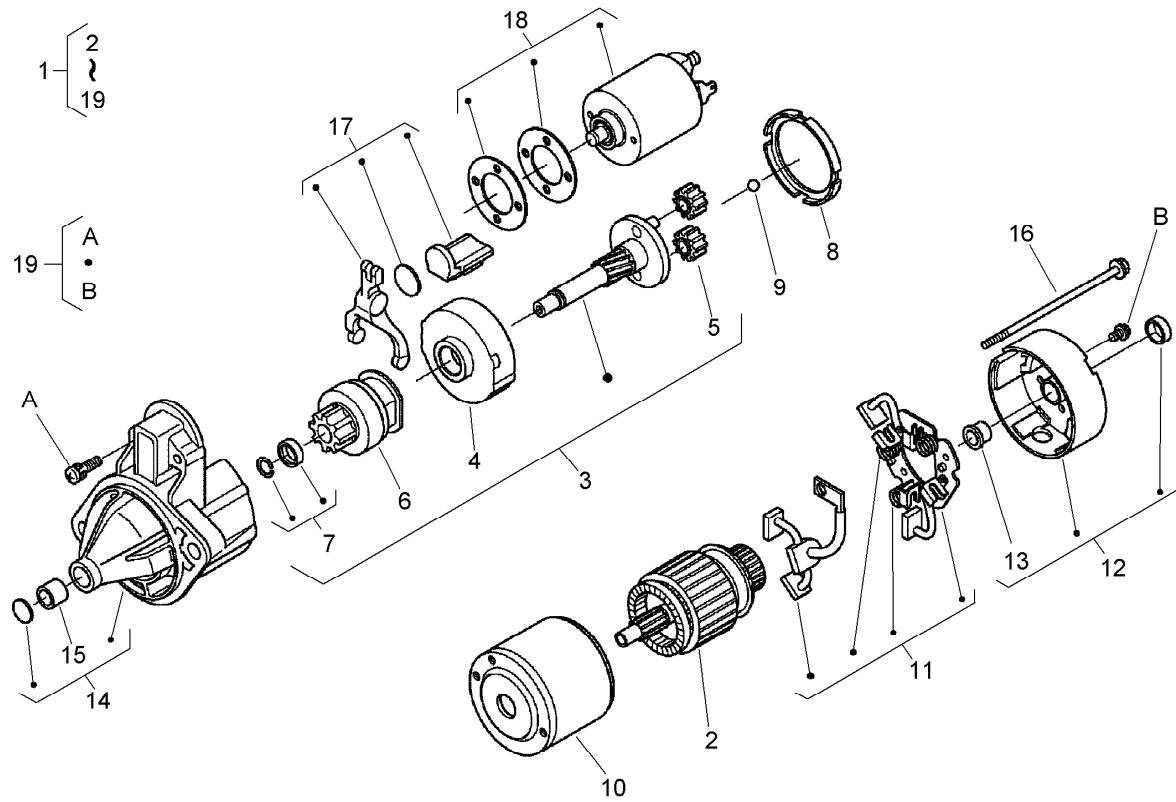
## Alternator Assembly

<i>Ref.</i>	<i>Part Number</i>	<i>Qty.</i>	<i>Description</i>	<i>Ref.</i>	<i>Part Number</i>	<i>Qty.</i>	<i>Description</i>
1	98-9474	1	Alternator ASM	15	107-0140	1	Cover-End
2	98-9453	1	Pulley-Dynamo	16	98-7721	1	Rectifier ASM
3	98-7708	1	Nut	17	98-7722	1	Bushing-Insulation
4	98-7709	1	Collar	18	107-0141	1	Brush Holder ASM
5	107-0136	1	Rotor ASM	19	98-7724	2	Brush
6	98-7711	1	Cover-Bearing	20	98-7725	2	Spring-Brush
7	107-0138	1	Bearing-Ball	21	98-7726	2	Screw-Head, Round
8	98-7713	1	Washer-Thrust	22	98-7727	6	Screw-Head, Round
9	107-0139	1	Drive End Frame ASM	23	98-7728	1	Screw-Head, Round
10	98-7715	1	Plate-Retainer	24	98-7729	3	Bolt
11	98-7716	4	Screw-Head, Round	25	98-7730	2	Nut
12	98-7717	2	Bolt-Through	26	98-7731	2	Bolt
13	107-0137	1	Bearing-Ball	27	98-7732	1	Nut
14	107-9087	1	Frame-End	28	110-3799	1	Regulator ASM



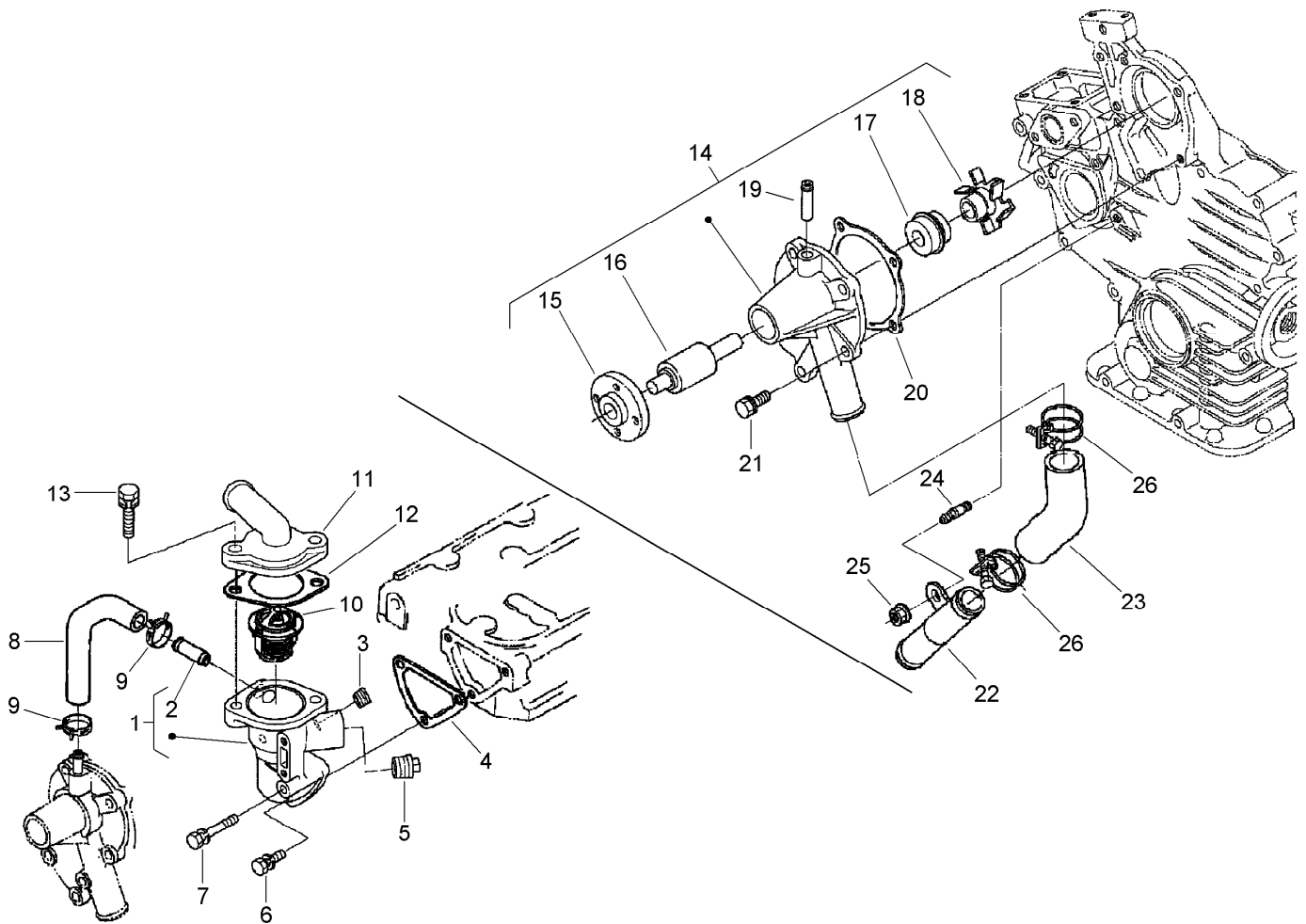
## Start Installation Assembly

<i>Ref.</i>	<i>Part Number</i>	<i>Qty.</i>	<i>Description</i>
1	110-3800	1	Starter ASM
2	98-7697	2	Bolt
3	98-7534	2	Nut
5	98-7534	2	Nut



## Starter Assembly

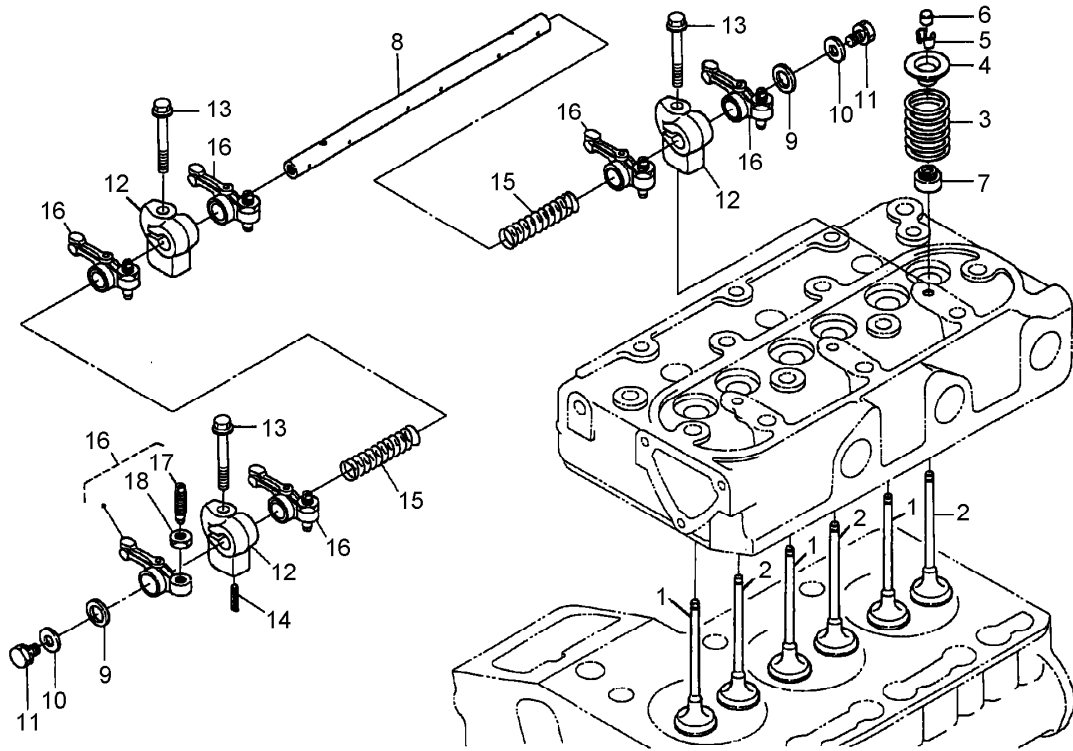
Ref.	Part Number	Qty.	Description
1	110-3800	1	Starter ASM
2	110-3801	1	Armature
3	110-3802	1	Shaft ASM
4	110-3803	1	Gear-Internal
5	110-3804	3	Gear-Planetary
6	110-3805	1	Clutch-Running, Over
7	110-3806	1	Stopper
8	110-3807	1	Gasket
9	110-3808	1	Ball
10	110-3809	1	Yoke
11	110-3810	1	Brush Holder ASM
12	110-3811	1	Rear Bracket ASM
13	110-3812	1	Bushing
14	110-3813	1	Front Bracket ASM
15	110-3814	1	Bushing
16	110-3815	2	Bolt
17	110-3816	1	Lever-Fork
18	110-3817	1	Switch-Magnetic
19	110-3818	1	Screw-Head, Pan



## Water Flange, Pump, Pipe and Thermostat Assembly

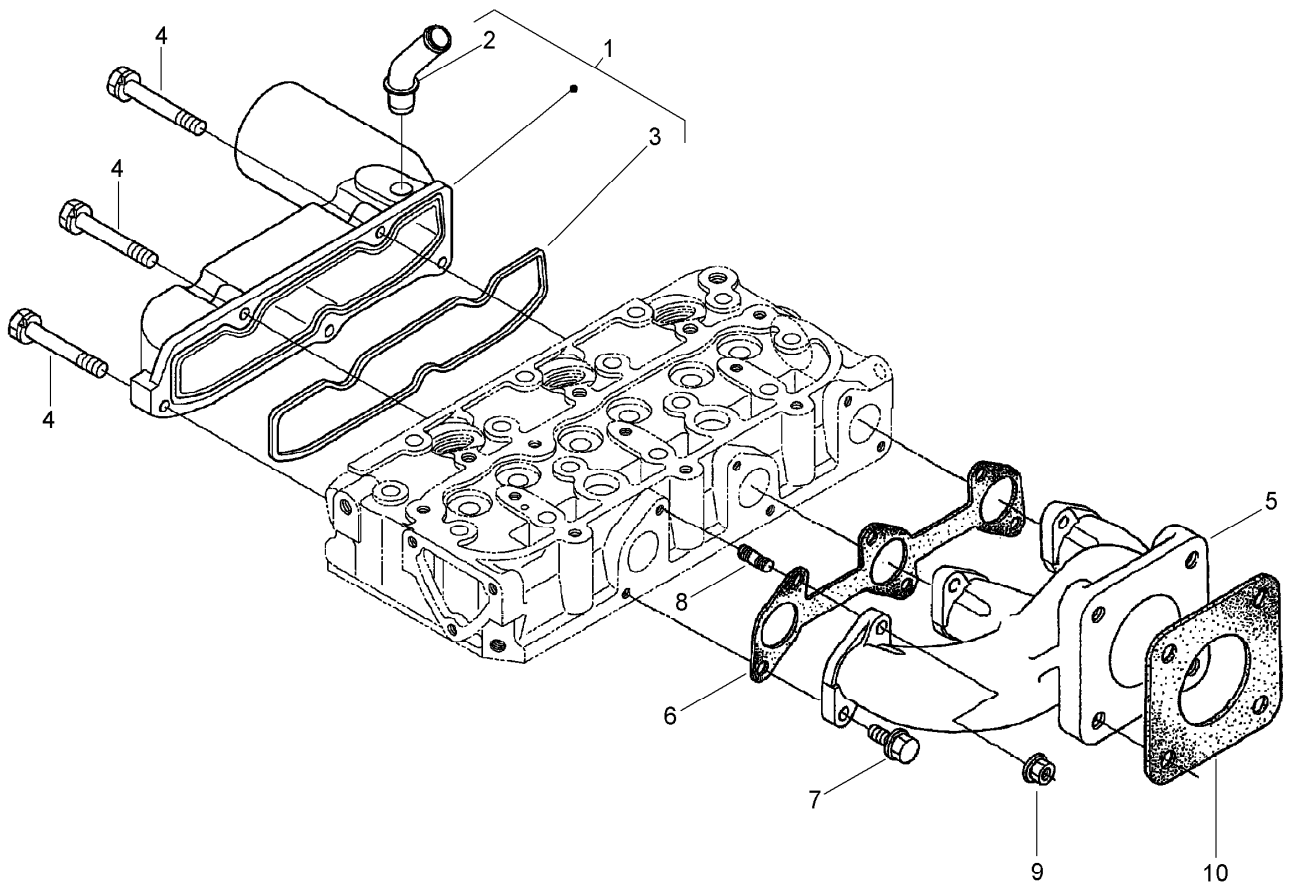
<i>Ref.</i>	<i>Part Number</i>	<i>Qty.</i>	<i>Description</i>
1	110-3819	1	Flange-Water
2	98-9580	1	Pipe-Return, Water
3	98-9444	1	Plug
4	110-3820	1	Gasket-Flange, Water
5	110-3821	1	Plug
6	98-7692	2	Bolt
7	98-9355	1	Bolt
8	110-3822	1	Pipe-Return, Water
9	98-9579	2	Band-Pipe
10	98-7778	1	Thermostat ASM
11	110-3823	1	Cover-Thermostat
12	98-7776	1	Gasket
13	98-7777	2	Bolt

<i>Ref.</i>	<i>Part Number</i>	<i>Qty.</i>	<i>Description</i>
14	110-3824	1	Water Pump ASM
15	100-1933	1	Flange-Pump, Water
16	100-1934	1	Bearing-Ball
17	99-3518	1	Water Pump Seal ASM
18	110-3825	1	Impeller-Pump, Water
19	100-1932	1	Pipe-Return, Water
20	110-3826	1	Gasket-Pump, Water
21	100-1750	4	Bolt
22	100-1918	1	Pipe-Water
23	110-3827	1	Pipe-Water
24	100-1924	1	Stud
25	100-2203	1	Nut-Flange
26	110-3828	2	Band-Pipe



## Valve and Rocker Arm Assembly

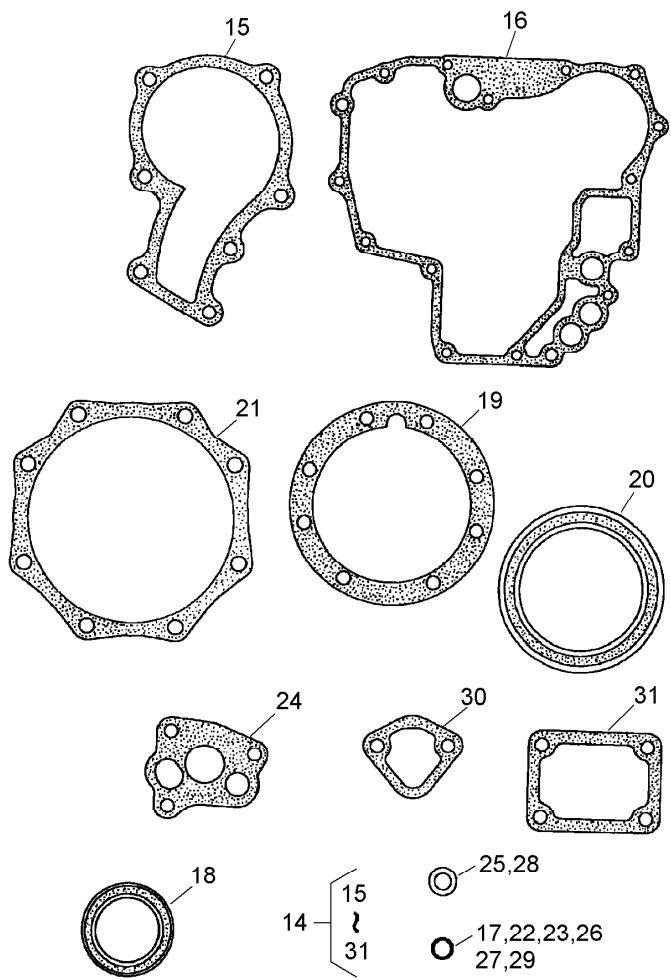
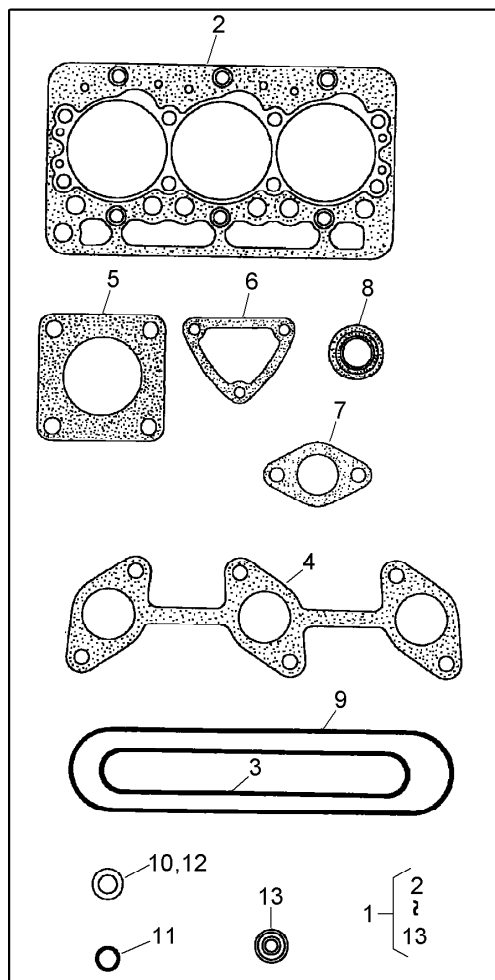
Ref.	Part Number	Qty.	Description
1	112-2514	3	Valve-Inlet
2	112-2515	3	Valve-Exhaust
3	100-1823	6	Spring-Valve
4	100-1825	6	Retainer-Spring, Valve
5	100-1826	6	Collet-Spring, Valve
6	100-1824	6	Cap-Valve
7	100-1797	6	Seal-Stem, Valve
8	110-3831	1	Shaft-Arm, Rocker
9	100-2044	2	Washer
10	110-3832	2	Washer-Plain
11	100-1762	2	Bolt
12	110-3833	3	Bracket-Arm, Rocker
13	110-3834	3	Bolt-Flange
14	98-7602	1	Pin-Spring
15	110-3835	2	Spring
16	100-1884	6	Rocker Arm ASM
17	100-1885	6	Screw-Adjusting
18	100-1827	6	Nut



## Inlet and Exhaust Manifold Assembly

<i>Ref.</i>	<i>Part Number</i>	<i>Qty.</i>	<i>Description</i>
1	110-3836	1	Inlet Manifold ASM
2	110-3837	1	Pipe-Breather
3	110-3838	1	Gasket-Manifold, Intake
4	98-9352	5	Bolt
5	110-3839	1	Manifold-Exhaust
6	110-3840	1	Gasket-Manifold, Exhaust
7	100-1775	3	Bolt
8	100-2202	3	Stud
9	100-1778	3	Nut
10	99-8343	1	Gasket-Muffler

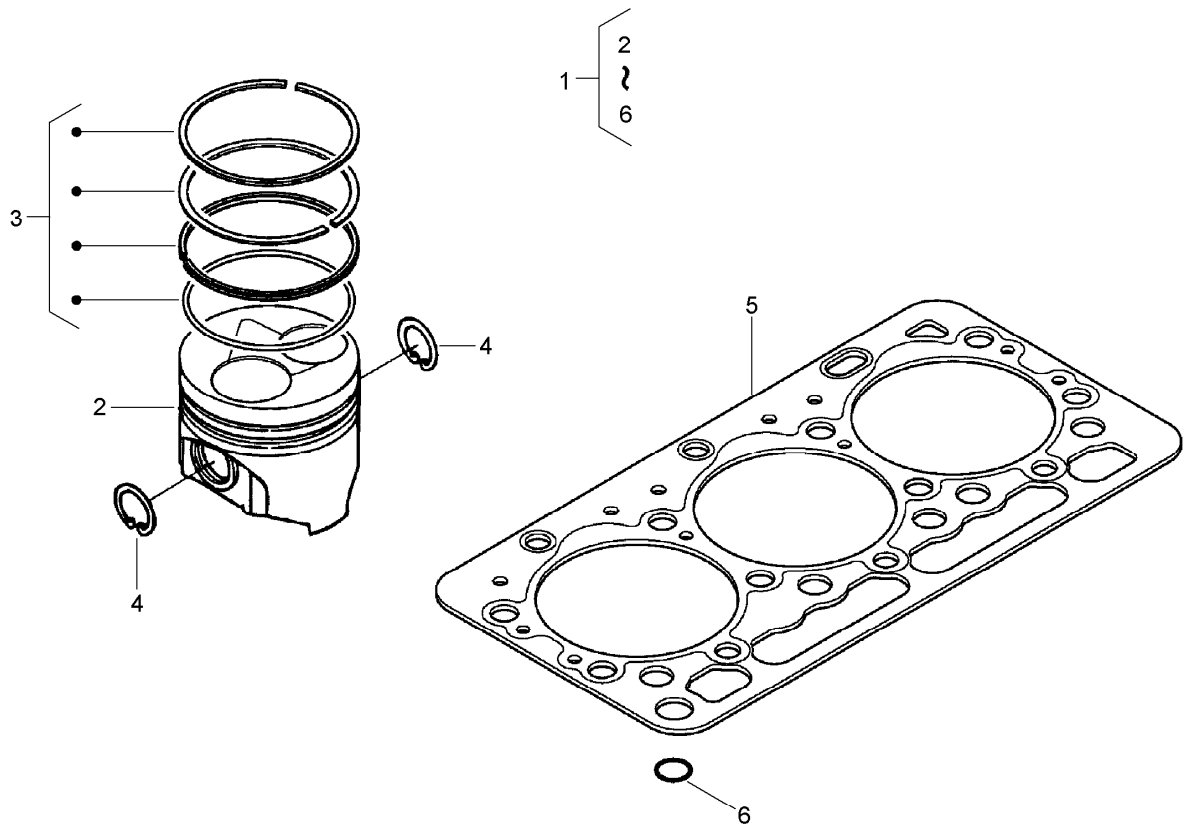




## Gasket Kit

Ref.	Part Number	Qty.	Description
1	110-3844	1	Upper Gasket Kit
2	110-3706	1	Gasket-Head, Cylinder
3	110-3838	1	Gasket-Manifold, Intake
4	110-3840	1	Gasket-Manifold, Exhaust
5	99-8343	1	Gasket-Muffler
6	110-3820	1	Gasket-Flange, Water
7	98-7776	1	Gasket
8	100-1797	6	Seal-Stem, Valve
9	110-3717	1	Gasket-Cover, Head
10	110-3846	1	O Ring-Breather
11	99-3446	1	O-Ring
12	98-7676	3	Gasket
13	98-7677	3	Seal-Heat
14	110-3847	1	Lower Gasket Kit
15	100-1976	1	Gasket-Pump, Water
16	110-3707	1	Case-Gear

Ref.	Part Number	Qty.	Description
17	98-7509	1	O-Ring
18	100-1971	1	Seal-Oil
19	100-1873	1	Gasket-Case, Bearing
20	110-3724	1	Seal-Oil
21	100-1876	1	Gasket-Case, Bearing
22	100-1785	3	O-Ring
23	100-2209	1	O-Ring
24	100-1958	1	Gasket-Pump, Oil
25	98-7654	3	Gasket
26	100-2208	1	O-Ring
27	100-2207	1	O-Ring
28	98-9399	3	Gasket
29	100-2205	1	O-Ring
30	100-1961	1	Gasket-Pump, Fuel
31	100-1962	1	Gasket-Plate, Control



## Piston Kit

<i>Ref.</i>	<i>Part Number</i>	<i>Qty.</i>	<i>Description</i>
1	110-3848	1	Piston Kit
2	112-8398	3	Piston STD
3	110-3732	3	Piston Ring ASM (STD)
4	100-1835	6	Clip-Pin, Piston
5	110-3706	1	Gasket-Head, Cylinder
6	98-7509	1	O-Ring

# Attachments and Accessories

## For 74274 Z580-D Z Master, With 72in TURBO FORCE Side Discharge Mower

<b>Product Name</b>	<b>Model/Part</b>
Z Stand Kit .....	105-1622
Blade-Mid Flow, 24.5 inch .....	105-7711-03
Blade-Lo Flow, 24.5 inch .....	105-7712-03
Blade-Atomic, 24.5 inch .....	105-7719-03
Blade-Recycler, 24.5 inch .....	105-7778-03
Blade-Hi Flow, 24.5 inch .....	105-7784-03
Recycler Kit .....	107-1612
Striping Kit .....	107-1630
Turbo Baffle Kit .....	107-1634
Light Kit .....	107-9880
6 Pack Blade, 24.5 inch Hi-Flow .....	108-1120
6 Pack Blade, 24.5 inch Atomic .....	108-1126
Roller Striping Kit .....	108-2162
6 Pack-Blade, 24.5 inch Mid-Flow .....	110-0404
6 Pack-Blade, 24.5 inch Lo-Flow .....	110-0410
6 Pack-Blade, 24.5 inch Recycler .....	110-0411
Bimini Sunshade .....	110-5726
Chute Gate Kit .....	78521
Deluxe Suspension Seat Kit .....	78530
Deck Triple Bag Assembly .....	78535
Blower and Drive Kit .....	78539
Filter Minder Gauge .....	99-4664
Hitch Kit .....	99-8925



**Count on it.**