



**Count on it.**

**Parts Catalog**

**Stump Grinder**

**Compact Utility Loaders**

**Model No. 22429—Serial No. 230000001 and Up**

# Ordering Replacement Parts

To order replacement parts, please supply the part number, the quantity, and the description of each part desired.

## Understanding Reference Numbers

Each identified part in an illustration has a reference number. The reference number for a part also appears in the parts list, along with other information about the part.

This catalog uses two special reference number formats, one to indicate parts in a service assembly and another to indicate the quantity of a given part in an illustration.

## Service Assembly Reference Numbers

Parts in service assemblies have reference numbers in the form a:b. The a represents the reference number of the entire service assembly and the b represents a sequential number unique to each part within the service assembly.

For example, a wheel assembly might be identified by reference number 6, the tire by 6:1, the valve by 6:2, and the wheel by 6:3. When you order the assembly identified by reference number 6, you receive all parts identified by reference numbers 6:1, 6:2, and 6:3. However, you may also order any part individually. Reference numbers of this type appear in illustration and in parts lists.

## Reference Numbers Indicating Quantity

In an illustration, if a reference number indicates more than one part, the reference number has the form nX y. The n represents the quantity of the part, the X is the multiplication symbol, and the y represents the reference number.

For example, in an illustration, the reference number 2X 37 means that two of the parts identified by reference number 37 are indicated.

# List of Abbreviations

**AR:** as required

**ASM:** assembly

**BBC:** blade brake control

**BHTF:** button head thread forming

**CARR:** carriage

**CCW:** counter clockwise

**CW:** clockwise

**DEG:** degrees

**ECM:** electronic control module

**EXT:** external

**FH:** flat head

**GA:** gauge

**HD:** heavy-duty

**HF:** hex flange

**HH:** hex head

**HHF:** hex head flange

**HHFTF:** hex head flange thread forming

**HJ:** hex jam

**HLH:** hex lag head

**HOC:** height-of-cut

**HSBH:** hex socket button head

**HSFH:** hex socket flat head

**HSH:** hex socket head

**HWH:** hex washer head

**HWHTF:** hex washer head thread forming

**HYD:** hydraulic

**LH:** left hand

**LP:** Liquid Propane

**NI:** nylon insert

**NPTF:** national pipe thread fine

**PFH:** phillips flat head

**PPH:** phillips pan head

**PPHTF:** phillips pan head thread forming

**PRH:** phillips round head

**PTH:** phillips truss head

**PTO:** power-take-off

**RH:** right hand

**ROPS:** roll-over protection system

**RRB:** rear roller brush

**SFH:** slotted fillister head

**SHH:** slotted hex head

**SHWH:** slotted hex washer head

**SPH:** slotted pan head

**SQH:** square head

**SRH:** slotted round head

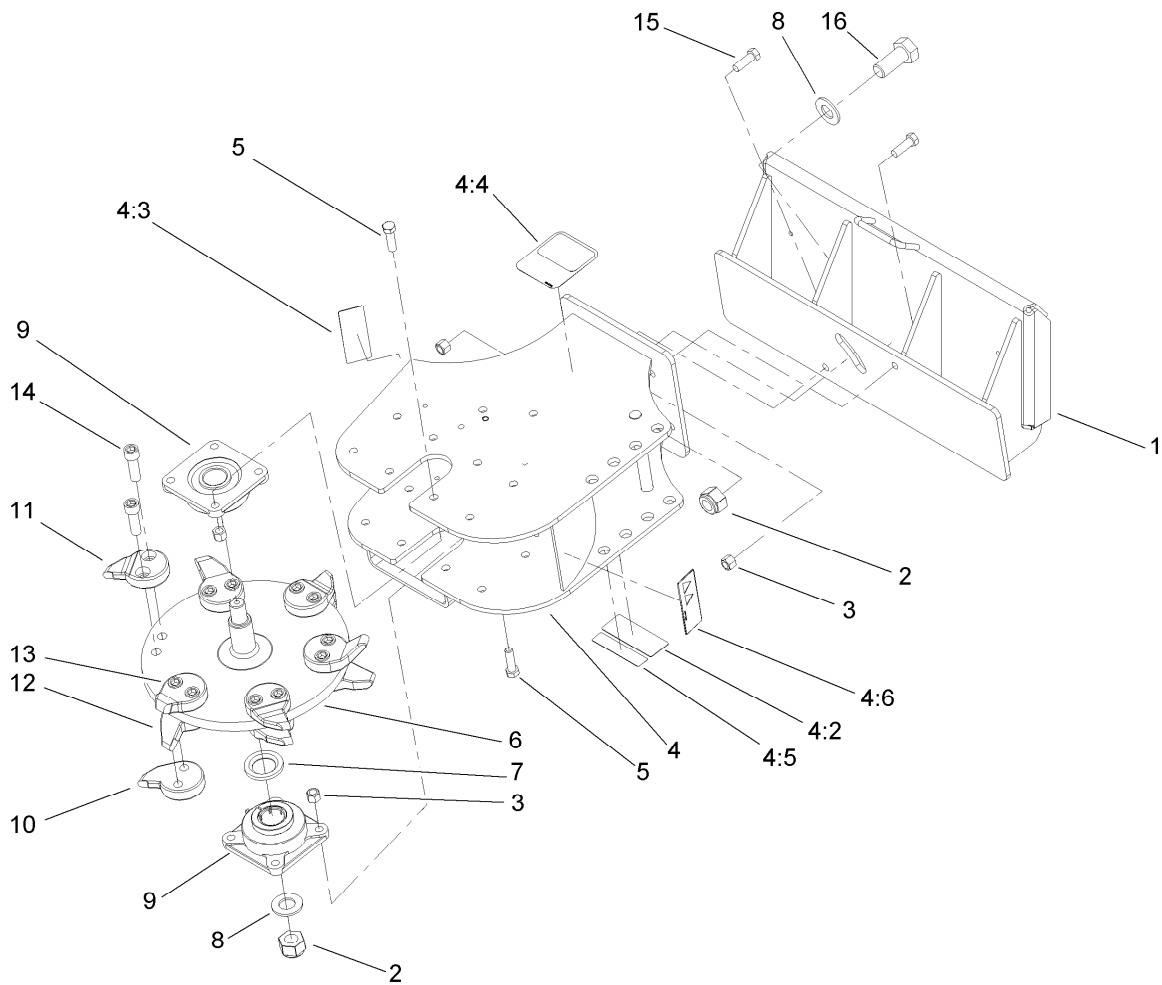
**STD:** standard

**TAP:** self tapping

**TTH:** torx truss head

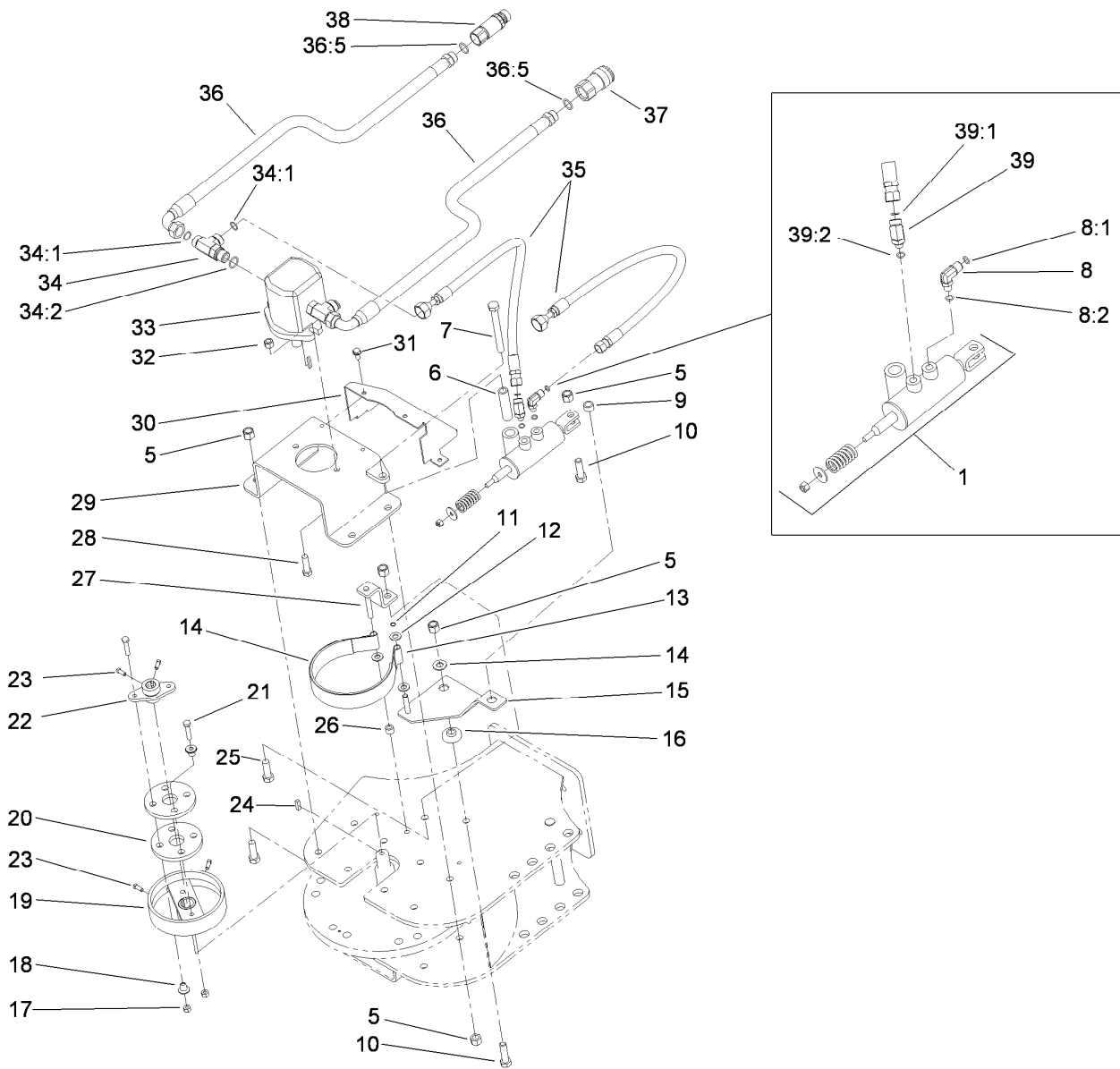
# Contents

- Grinder Frame and Head Assembly ..... 4
- Hydraulic Motor and Brake Assembly ..... 5
- Hydraulic Cylinder Assembly No. 104-6094 ..... 7
- Hydraulic Gear Motor No. 104-2010 ..... 8
- Shield and Guard Assembly ..... 9



## Grinder Frame and Head Assembly

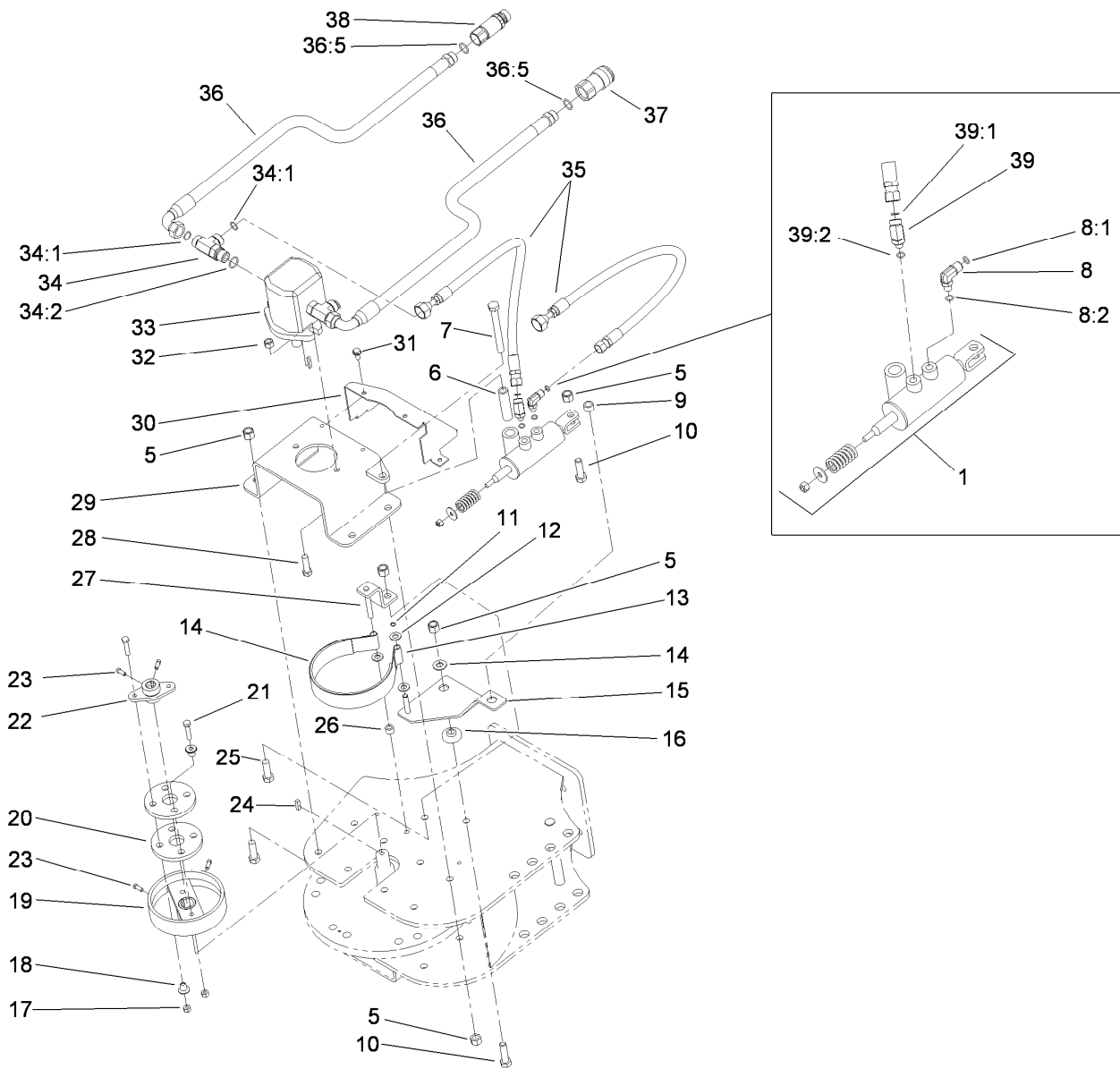
Ref.	Part Number	Qty.	Description
1	104-2001-03	1	Quick Attach ASM
2	104-2024	2	Nut-Hex, NI
3	3296-23	10	Nut-Lock, NI
4	104-5807	1	Grinder Frame ASM
4:2	107-9366	1	Decal-Warning
4:3	93-7321	1	Decal-Danger
4:4	93-7340	1	Decal
4:5	93-9854	1	Decal-Warning
4:6	104-5850	1	Decal-Warning
5	325-7	8	Screw-HH
6	104-2025-03	1	Wheel-Cast
7	104-2036	1	Washer-Bearing
8	3256-62	2	Washer-Flat
9	104-2026	2	Bearing
10	104-2028	3	Tooth-Str, Threaded
11	104-2029	3	Tooth-Str,Cbored
12	104-2030	3	Tooth-Curved,Threaded
13	104-2031	3	Tooth-Curved,Cbored
14	3273-38	12	Screw-HSH
15	325-6	2	Screw-HH
16	104-2035	1	Screw-Cap



## Hydraulic Motor and Brake Assembly

Ref.	Part Number	Qty.	Description	Ref.	Part Number	Qty.	Description
1	104-6094	1	Cylinder ASM	21	322-7	4	Screw-HH
5	3296-23	7	Nut-Lock, NI	22	104-5830	1	Hub/Spacer ASM
6	104-5801	1	Spacer-Cylinder	23	3241-5	4	Screw-Set
7	325-19	1	Screw-HH	24	10-7070	1	Key-Square
8	340-97	1	Fitting-HYD, 90 DEG	25	325-6	4	Screw-HH
8:1	237-22	1	O-Ring	26	52-2480	1	Spacer-Wheel
8:2	237-78	1	O-Ring	27	104-5800-03	1	Brake Rod ASM
9	104-5825	1	Spacer-Clevis	28	324-6	2	Screw-HH
10	325-7	2	Screw-HH	29	104-5806-03	1	Motor Mount ASM
11	32120-46	1	Ring-Retaining	30	104-5836-03	1	Cover-Brake
12	3256-3	3	Washer-Flat	31	32144-14	4	Screw-HWHTF
13	104-2038	1	Brake Band ASM	32	3296-48	2	Nut-Lock, NI
14	3256-26	1	Washer-Flat	33	104-2010	1	Motor-HYD
15	104-2042-03	1	Brake Bracket ASM	34	340-22	2	Fitting-HYD, Tee
16	104-1991	1	Spacer-Brake	34:1	237-65	2	O-Ring
17	3296-29	4	Nut-Lock, NI	34:2	237-80	1	O-Ring
18	71-4411	4	Spacer	35	104-5835	2	Hydraulic Hose ASM
19	104-2037	1	Drum-Brake	36	104-2034	2	Hose-Hydraulic
20	44-2230	2	Coupling-Rubber	36:5	237-80	1	O-Ring

● Not illustrated

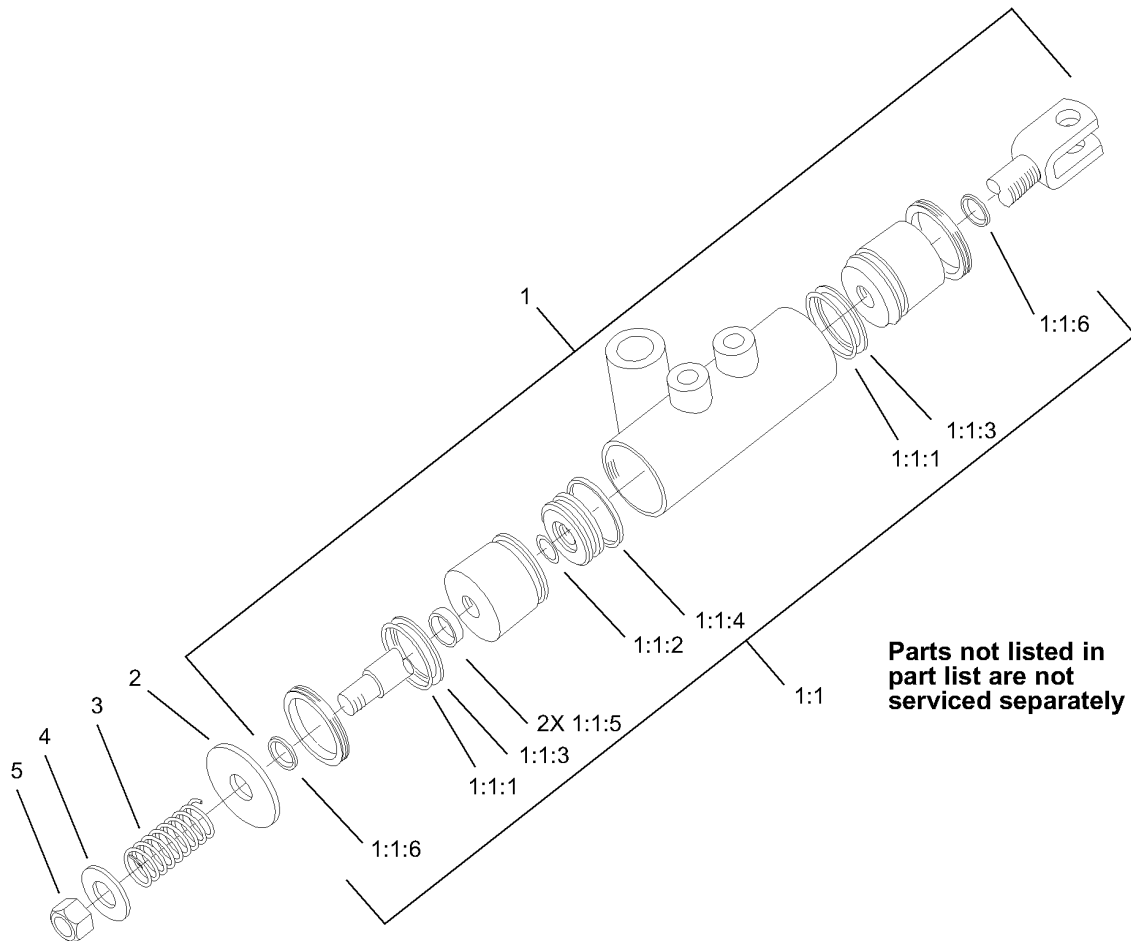


## Hydraulic Motor and Brake Assembly (continued)

Ref.	Part Number	Qty.	Description
37	104-6134	1	Coupler-Face, Flush
38	100-4701	1	Nipple-Connect, Pressure
38:1	100-6120	1	Seal Kit ●

Ref.	Part Number	Qty.	Description
39	340-54	1	Elbow-45 DEG
39:1	237-22	1	O-Ring
39:2	237-78	1	O-Ring

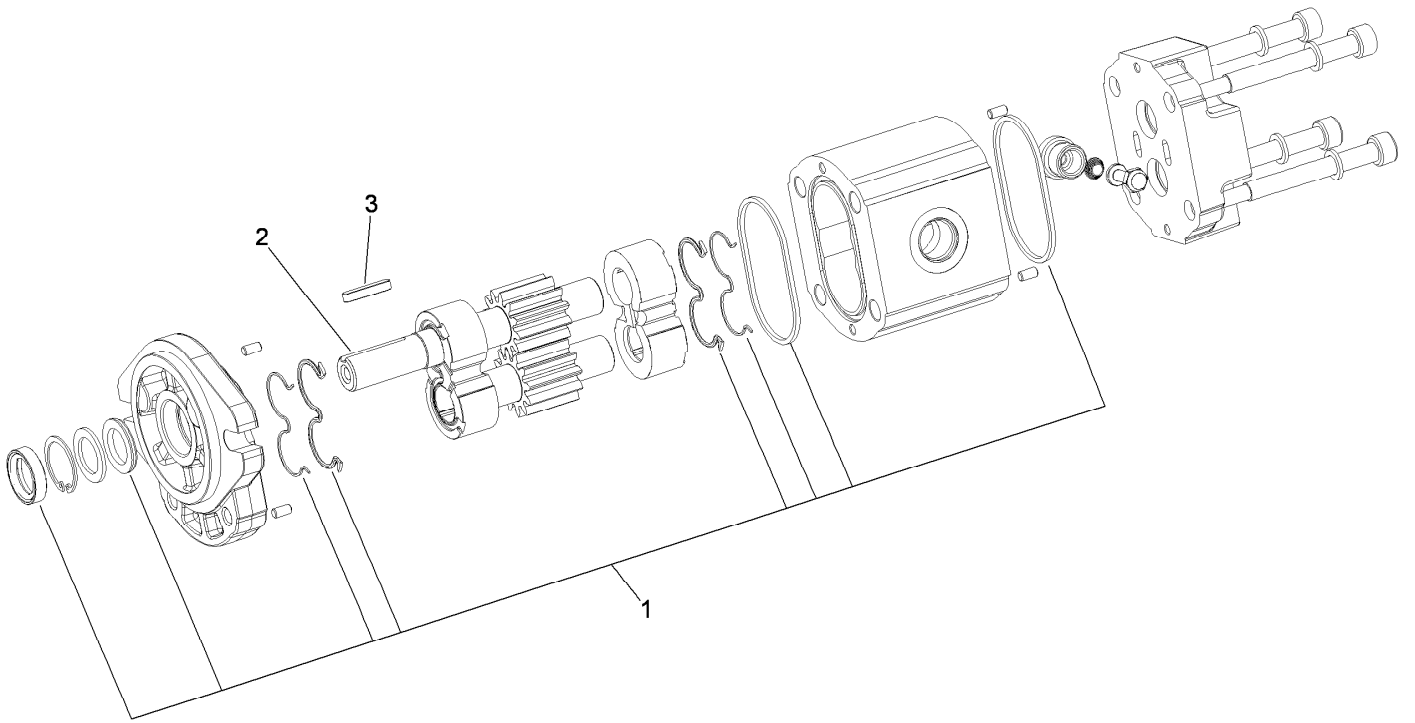
● Not illustrated



## Hydraulic Cylinder Assembly No. 104-6094

<i>Ref.</i>	<i>Part Number</i>	<i>Qty.</i>	<i>Description</i>
1	104-6093	1	Hydraulic Cylinder ASM
1:1	104-5847	1	Seal Kit
1:1:1		2	Seal-Dust ●
1:1:2		1	Seal-Dust ●
1:1:3		2	O-Ring, Backup ●
1:1:4		1	T-Seal ●
1:1:5		2	Seal-Rod ●
1:1:6		2	Seal-Dust ●
2	104-5837	1	Washer-Cylinder
3	66-9010	1	Spring-Compression
4	3256-82	1	Washer-Flat
5	3296-29	1	Nut-Lock, NI

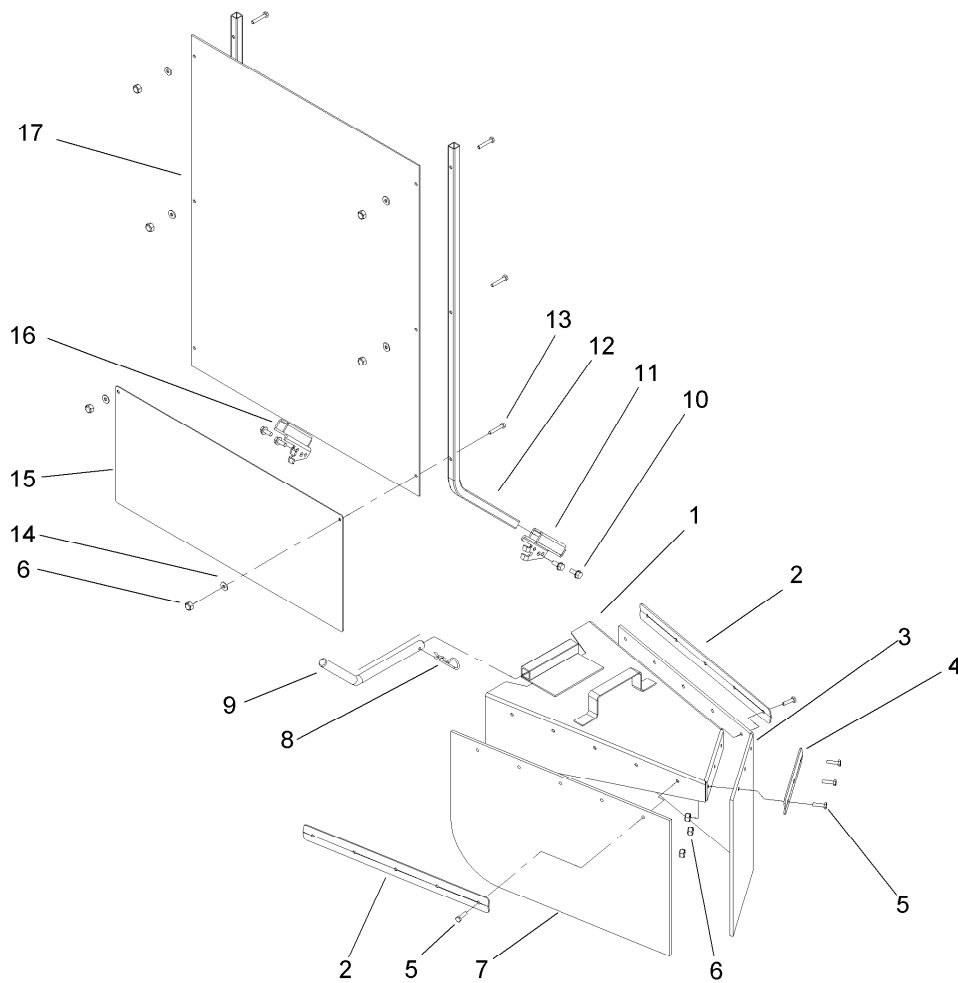
● Not serviced separately



## Hydraulic Gear Motor No. 104-2010

<i>Ref.</i>	<i>Part Number</i>	<i>Qty.</i>	<i>Description</i>
1	100-4629	1	Seal Kit
2	104-5838	1	Shaft-Motor
3	104-5839	1	Key-Square





## Shield and Guard Assembly

<i>Ref.</i>	<i>Part Number</i>	<i>Qty.</i>	<i>Description</i>
1	104-2012-03	1	Chipper Guard ASM
2	104-2019-03	2	Clamp-Skirt
3	104-2022	1	Guard-Skirt, Rear
4	104-2021-03	1	Clamp-Skirt
5	321-6	13	Screw-HH
6	3296-8	21	Nut-Lock
7	104-2023	1	Guard-Skirt, Front
8	3290-343	1	Pin-Hair
9	104-2018	1	Pin-Hinge
10	32144-70	4	Screw-HWHTF
11	104-5817-03	1	Bracket-Support, LH
12	104-5815-03	2	Support-Shield
13	321-9	6	Screw-HH
14	3256-78	6	Washer-Flat
15	104-5820	1	Skirt-Protector
16	104-5818-03	1	Bracket-Support, RH
17	104-5827	1	Shield-Lexan

**Notes:**

**Notes:**



**Count on it.**