



Commercial Walk-Behind Mower

All Commercial Floating and Fixed Deck Walk-behind Mowers

Setup Instructions

Loose Parts

Use the chart below to verify that all parts have been shipped.

Procedure	Description	Qty.	Use
1	No parts required	–	Unfold the crate.
2	No parts required	–	Check the tire pressure.
3	Number 2 general purpose lithium base or molybdenum base grease. (Purchase separately.)	1 tube	Check the idler arms for grease. (Floating Deck Models)
4	Number 2 general purpose lithium base or molybdenum base grease. (Purchase separately.)	1 tube	Check the mower belt idler arm for grease. (Fixed Deck Models)
5	No parts required	–	Prepare the grass deflector.
6	No parts required	–	Adjust the anti-scalp rollers. (Floating Deck Models)
7	Muffler Curved washer Muffler shield Bolt (M8 x 25mm) Muffler clamp Muffler shield bracket Side lock nut	1 4 1 4 1 1 4	Install the muffler (if needed).
8	No parts required	–	Check the engine oil level.
9	No parts required	–	Add fuel to the machine.
10	No parts required	–	Check the hydraulic oil level.
11	Bulk electrolyte with 1.265 specific gravity (Purchase from a battery supply outlet.)	80 ounces	Activate the battery for Mowers with Electric Start.
12	No parts required	–	Charge the battery for Mowers with Electric Start.
13	No parts required	–	Check the machine before delivery to the customer.

Procedure	Description	Qty.	Use
14	Operator's Manual	1	Delivering the machine to the customer.
	Engine Owner's Manual	1	
	Engine warranty literature	1	
	Registration Card	1	
	Operator training material	1	
	Accessory brochure	1	
	Key	1	
	Oil drain hose	1	

1

Unfolding the Crate

No Parts Required

Procedure

If the machine is in a metal crate, refer to the Packaging Crate Instructions included with the machine.

2

Checking the Tire Pressure

No Parts Required

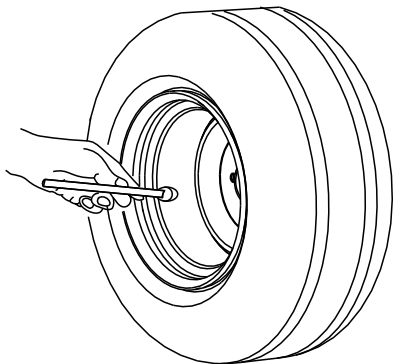
Procedure

Pressure: 12 to 14 psi (83 to 97 kPa)

Pressure for 60 inch mowers: 14 to 16 psi (97 to 110 kPa)

Note: The front caster wheel is a semi-pneumatic tire and does not need to be checked.

Check the air pressure in the drive tires.



G001055

Figure 1

3

Checking the Idler Arms for Grease (Floating Deck Models)

Parts needed for this procedure:

1 tube	Number 2 general purpose lithium base or molybdenum base grease. (Purchase separately.)
--------	---

Procedure

1. Remove the carrier frame cover.
2. Check the mower belt idler arm for grease (Figure 2 or Figure 3).
3. Install the carrier cover.

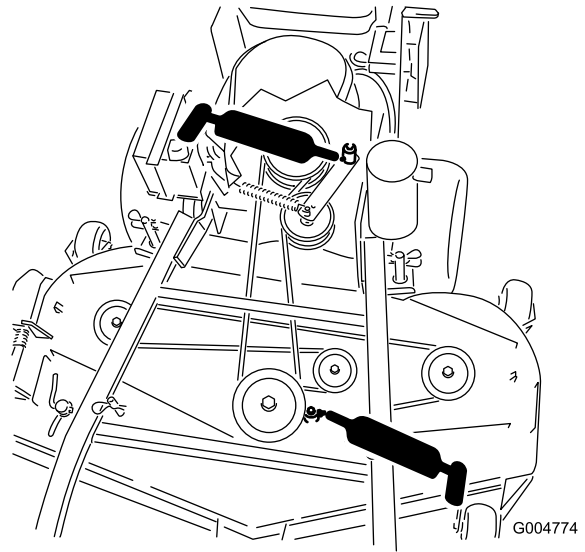


Figure 2

40 inch, 48 inch, and 52 inch Mower Deck shown

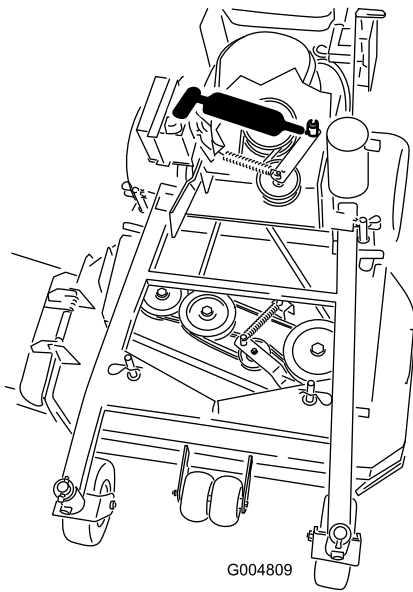


Figure 3
36 inch Mower Deck shown

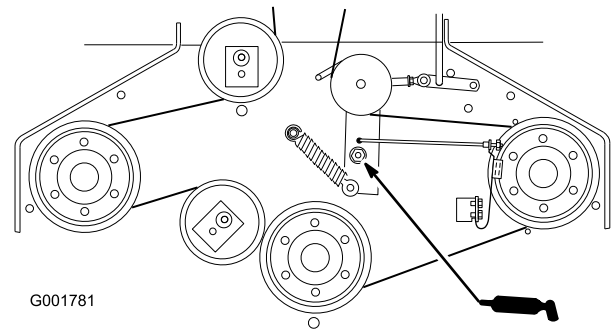


Figure 4

- Under the engine deck, check the PTO drive belt idler arm for grease.

4

Checking the Mower Belt Idler Arm for Grease (Fixed Deck Models)

Parts needed for this procedure:

1 tube	Number 2 general purpose lithium base or molybdenum base grease. (Purchase separately.)
--------	---

Procedure

- Remove the mower deck cover.
- Check the mower belt idler arm for grease (Figure 4).
- Install the mower deck cover.

5

Preparing the Grass Deflector

No Parts Required

Procedure

Check if your machine has the grass deflector spring installed correctly. The grass deflector needs to have downward tension.

⚠ WARNING

An uncovered discharge opening could allow the lawn mower to throw objects in the operator's or bystander's direction and result in serious injury or death. Also, contact with the blade could occur.

Never operate the lawn mower with the grass deflector removed unless you install a cover plate, a mulch plate, or a grass chute and catcher.

- Make sure the **L** end of spring is installed behind the deck edge before installing the bolt as shown in Figure 5.
- Place the **J** hook end of spring around grass deflector (Figure 5).

Important: The grass deflector must be free to rotate with downward tension. Lift the deflector up to the full open position and ensure that it rotates freely without binding into the full down position.

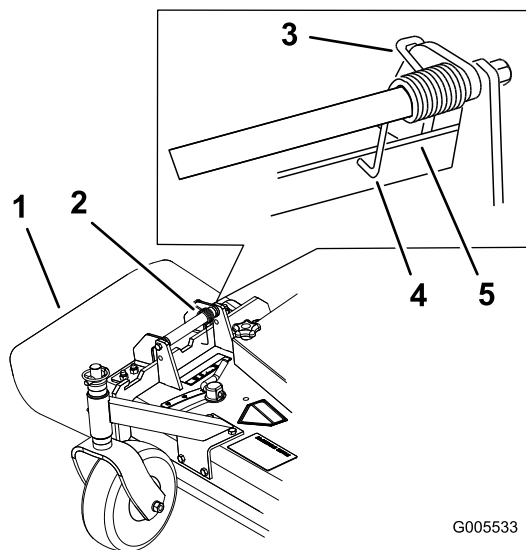


Figure 5
Fixed Deck Shown

- | | |
|-------------------------|---|
| 1. Grass Deflector | 4. L end of spring, place behind deck edge before installing bolt |
| 2. Spring | 5. Deck edge |
| 3. J hook end of spring | |

6

Adjusting the Anti-Scalp Rollers (Floating Deck Models)

No Parts Required

Procedure

Adjust the anti-scalp rollers; refer to Adjusting the Anti-Scalp Rollers in the *Operator's Manual*.

7

Installing the Muffler

Parts needed for this procedure:

1	Muffler
4	Curved washer
1	Muffler shield
4	Bolt (M8 x 25mm)
1	Muffler clamp
1	Muffler shield bracket
4	Side lock nut

Procedure

1. Slide the muffler clamp onto the muffler inlet and slide the muffler onto the exhaust manifold (Figure 6).
2. Align the two mounting holes on the muffler with the two mounting slots on the bracket attached to the engine.
3. Slide the muffler shield down over the top of the muffler.
4. Install 2 bolts (M8 x 25mm) and 2 curved washers through the muffler shield, muffler and mounting bracket (Figure 6).
5. Attach the muffler shield bracket to the muffler mounting bracket and secure the bolts with 2 side lock nuts. Torque the nuts to 132 in-lb (14.9 N-m).
6. Install 2 bolts (M8 x 25mm) and 2 curved washers through the muffler shield and the muffler shield bracket. Secure the bolts with 2 side lock nuts and torque them to 132 in-lb (14.9 N-m) (Figure 6).
7. Tighten the muffler clamp until there is no gap left in the split style clamp.

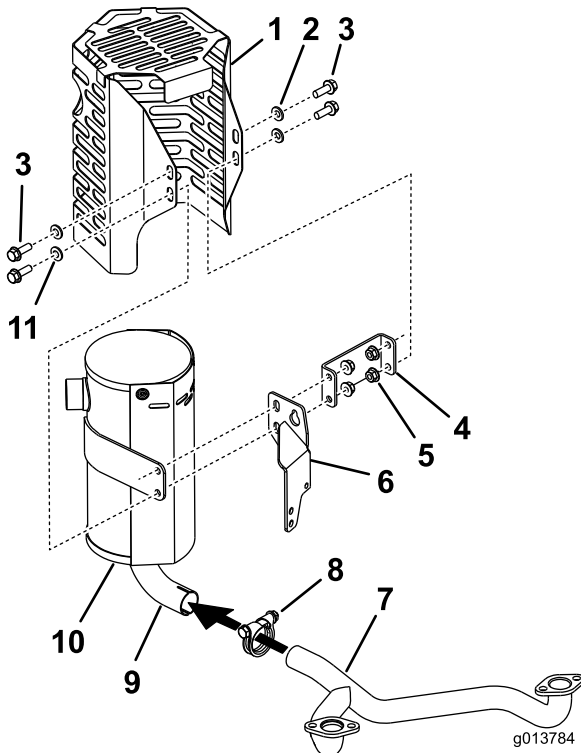


Figure 6

- | | |
|-----------------------------------|----------------------------|
| 1. Muffler shield | 7. Engine exhaust manifold |
| 2. Curved washer | 8. Muffler clamp |
| 3. Bolt, M8 x 25mm | 9. Muffler inlet |
| 4. Muffler shield bracket | 10. Muffler |
| 5. Side lock nut | 11. Curved washer |
| 6. Bracket attached to the engine | |

9

Adding Fuel to the Machine

No Parts Required

Procedure

Add gasoline to the machine before starting it. Refer to your *Operator's Manual* for the correct fuel and procedure.

10

Checking the Hydraulic Oil Level for Mowers with Hydro Drive

No Parts Required

Procedure

Before you start the engine and use the machine, check the hydraulic oil level in the tank; refer to Checking the Hydraulic Oil Level in the *Operator's Manual*.

8

Checking the Engine Oil Level

No Parts Required

Procedure

Before you start the engine and use the machine, check the oil level in the engine crankcase; refer to Checking the Engine Oil Level in the *Operator's Manual*.

11

Activating the Battery for Mowers with Electric Start

Parts needed for this procedure:

80 ounces	Bulk electrolyte with 1.265 specific gravity (Purchase from a battery supply outlet.)
-----------	---

Procedure

WARNING

CALIFORNIA Proposition 65 Warning

Battery posts, terminals, and related accessories contain lead and lead compounds, chemicals known to the State of California to cause cancer and reproductive harm.
Wash hands after handling.

⚠ DANGER

Battery electrolyte contains sulfuric acid which is a deadly poison and causes severe burns.

Do not drink electrolyte and avoid contact with skin, eyes or clothing. Wear safety glasses to shield your eyes and rubber gloves to protect your hands.

Fill the battery where clean water is always available for flushing the skin.

Follow all instructions and comply with all safety messages on the electrolyte container.

1. Remove the battery from the machine. Refer to the *Operator's Manual* for instructions.

Important: Never fill the battery with electrolyte while the battery is installed on the machine. Electrolyte can be spilled on other parts and cause corrosion.

2. Clean the top of the battery and remove the vent caps (Figure 9).

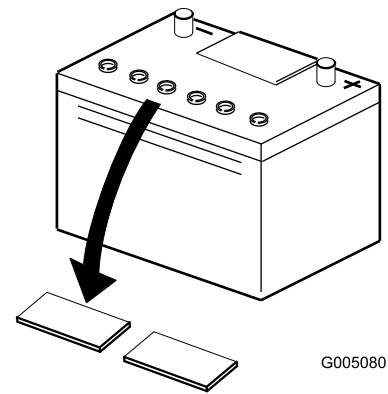


Figure 7

3. Slowly pour electrolyte into each battery cell until the level is up to the **upper** line on the battery case.

Important: Do not overfill the battery because electrolyte (sulfuric acid) can cause severe corrosion and damage to the chassis.

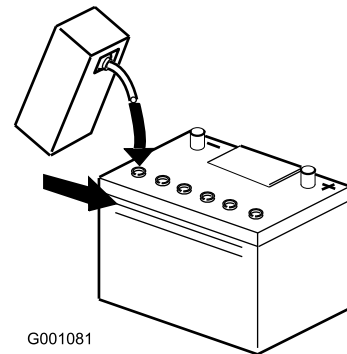


Figure 8

4. Wait five to ten minutes after filling the battery cells. Add electrolyte, if necessary, until the electrolyte level is up to the **upper** line on the battery case.
5. Install the battery vent caps (Figure 9).

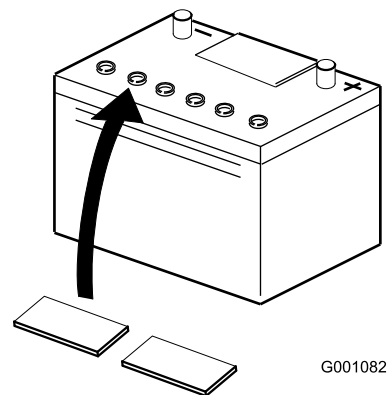


Figure 9

1. Fill caps
2. Upper line
3. Lower line

12

Charging the Battery for Mowers with Electric Start

No Parts Required

Procedure

⚠ WARNING

Charging the battery produces gasses that can explode and cause serious injury.

- Keep cigarettes, sparks and flames away from the battery.
- Make sure the ignition switch is off.
- Ventilate when charging or using the battery in an enclosed space.

Important: Do not run the machine with the battery disconnected; electrical damage may occur to the engine.

Charge the battery. Refer to the *Operator's Manual* for instructions.

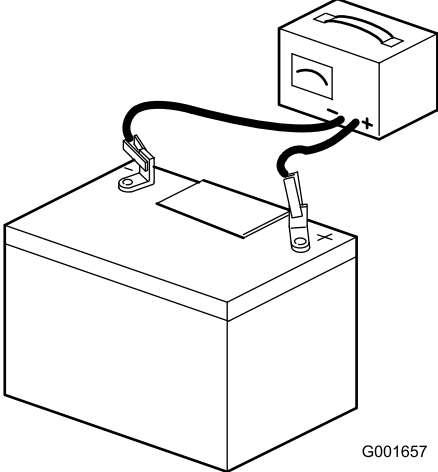


Figure 10

G001657

13

Checking the Machine Before Delivery to the Customer

No Parts Required

Procedure

Before delivering the machine to the customer, ensure that you perform or have performed the procedures listed in the following table and initial each when finished. Refer to the *Operator's Manual* for instructions on performing these procedures.

Initial	Check Procedure
	Check the tire pressure.
	Check the level of the mower.
	Check the engine oil level.
	For hydraulic driven mowers, check the hydraulic fluid level.
	Check the adjustment of the parking brake.
	Ensure that the machine tracks correctly; refer to the <i>Operator's Manual</i> for the adjustment procedure.
	Check the safety interlock system; refer to the <i>Operator's Manual</i> .
	Ensure that the PTO works.
	Check all fasteners you installed to ensure that they are tight.

When you finish setting up the machine, sign and date in the space provided below:

Signature: _____ Date: _____

14

Delivering the Machine to the Customer

Parts needed for this procedure:

1	<i>Operator's Manual</i>
1	<i>Engine Owner's Manual</i>
1	Engine warranty literature
1	Registration Card
1	Operator training material
1	Accessory brochure
1	Key
1	Oil drain hose

Procedure

At delivery, Fill in the model and serial number and complete the items listed in the following table and initial each when finished.

Model No. _____ Serial No. _____

Dealer Initial	Customer Initial	Check Procedure
		Show the customer where the following features are located and how they function: <ul style="list-style-type: none"> • Fuel tank cap • Oil fill cap/Oil dipstick • Spark plug(s) • Engine oil filter • Engine oil drain • Fuel filter • Air filter • Hydraulic fluid reservoir (if applicable) • Hydraulic filter (if applicable) • Hydraulic bypass valves (if applicable) • Battery (if applicable) • Ignition switch • Throttle lever • Choke lever • Power take off switch (PTO) • Motion controls • Parking brake • Mower height-of-cut • Mower deck flow baffle
		Refer to the <i>Operator's Manual</i> to point out safety procedures, operation, and maintenance procedures.
		Review the warranty statement as shown in the <i>Operator's Manual</i> .
		Describe the post sale service procedures for your store.
		Assist the customer in filling out and mailing the registration card or register online at www.Toro.com
		Make sure that the customer receives the <i>Operator's Manual</i> , <i>Engine Owner's Manual</i> , <i>Set Up Instructions</i> , and operator training material.
		Make sure the customer knows the <i>Parts Catalog</i> is available at www.Toro.com .
		Assist the customer in loading the mower.

Note: When you, the dealer representative, have finished delivering the machine to the customer, sign and date in the space provide below and keep a copy of this page for dealer records.

Signature: _____ **Date:** _____

Signature: _____ **Date:** _____

Notes:



Count on it.