



Count on it.

Parts Catalog

**Operator-Controlled Discharge
Chute Kit**

**GrandStand® Mower with 48-inch, 50-inch or
60-inch Cutting Unit**

Model No. 119-7292

Ordering Replacement Parts

To order replacement parts, please supply the part number, the quantity, and the description of each part desired.

Understanding Reference Numbers

Each identified part in an illustration has a reference number. The reference number for a part also appears in the parts list, along with other information about the part.

This catalog uses two special reference number formats, one to indicate parts in a service assembly and another to indicate the quantity of a given part in an illustration.

Service Assembly Reference Numbers

Parts in service assemblies have reference numbers in the form a:b. The a represents the reference number of the entire service assembly and the b represents a sequential number unique to each part within the service assembly.

For example, a wheel assembly might be identified by reference number 6, the tire by 6:1, the valve by 6:2, and the wheel by 6:3. When you order the assembly identified by reference number 6, you receive all parts identified by reference numbers 6:1, 6:2, and 6:3. However, you may also order any part individually. Reference numbers of this type appear in illustration and in parts lists.

Reference Numbers Indicating Quantity

In an illustration, if a reference number indicates more than one part, the reference number has the form nX y. The n represents the quantity of the part, the X is the multiplication symbol, and the y represents the reference number.

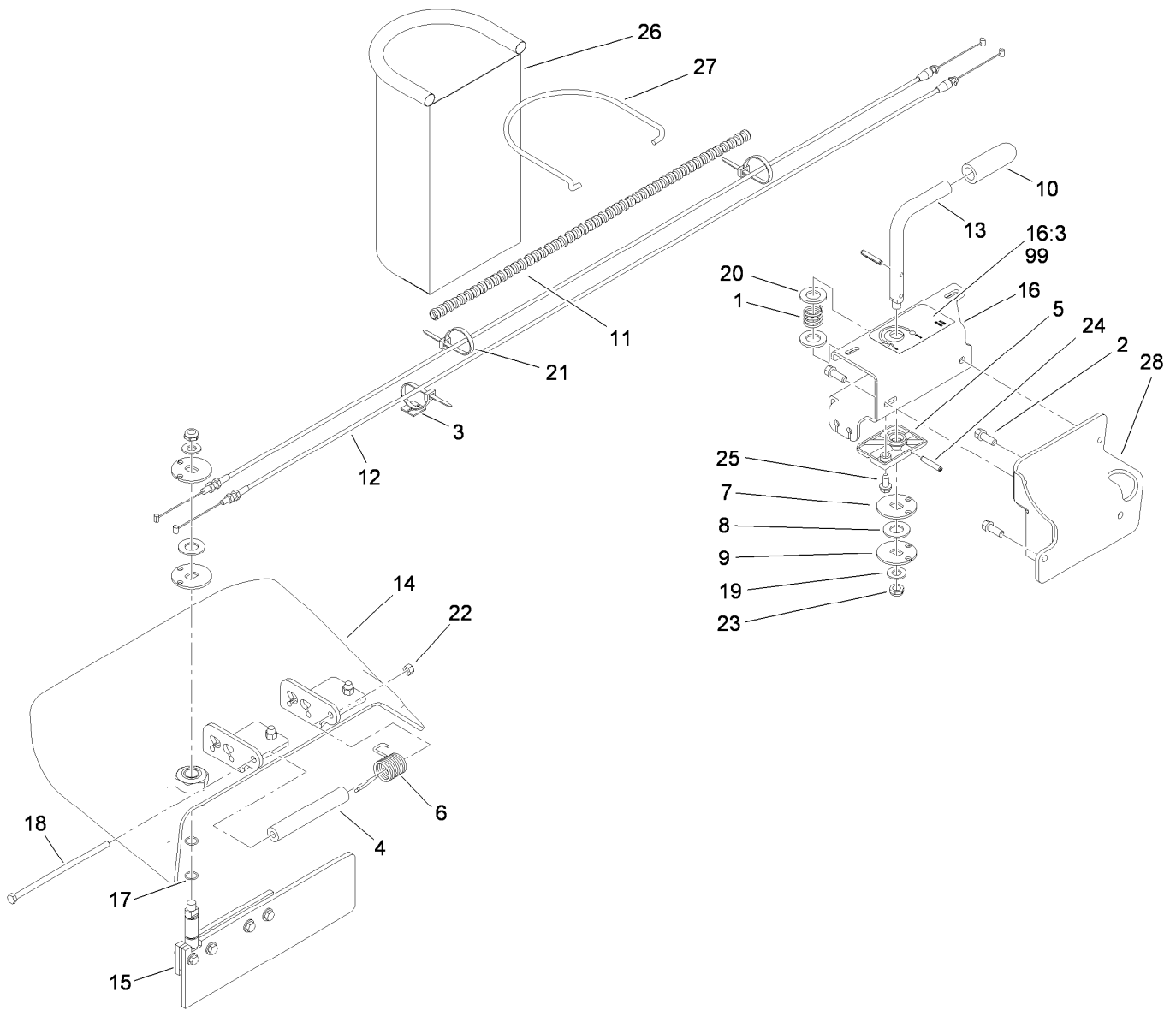
For example, in an illustration, the reference number 2X 37 means that two of the parts identified by reference number 37 are indicated.

List of Abbreviations

AR: as required	HSBH: hex socket button head	SFH: slotted fillister head
ASM: assembly	HSFH: hex socket flat head	SHH: slotted hex head
BBC: blade brake control	HSH: hex socket head	SHWH: slotted hex washer head
BHTF: button head thread forming	HWH: hex washer head	SPH: slotted pan head
CARR: carriage	HWHTF: hex washer head thread forming	SQH: square head
CCW: counter clockwise	HYD: hydraulic	SRH: slotted round head
CW: clockwise	LH: left hand	STD: standard
DEG: degrees	LP: Liquid Propane	TAP: self tapping
ECM: electronic control module	NI: nylon insert	TTH: torx truss head
EXT: external	NPTF: national pipe thread fine	
FH: flat head	PFH: phillips flat head	
GA: gauge	PPH: phillips pan head	
HD: heavy-duty	PPHTF: phillips pan head thread forming	
HF: hex flange	PRH: phillips round head	
HH: hex head	PTH: phillips truss head	
HHF: hex head flange	PTO: power-take-off	
HHFTF: hex head flange thread forming	RH: right hand	
HJ: hex jam	ROPS: roll-over protection system	
HLH: hex lag head	RRB: rear roller brush	
HOC: height-of-cut		

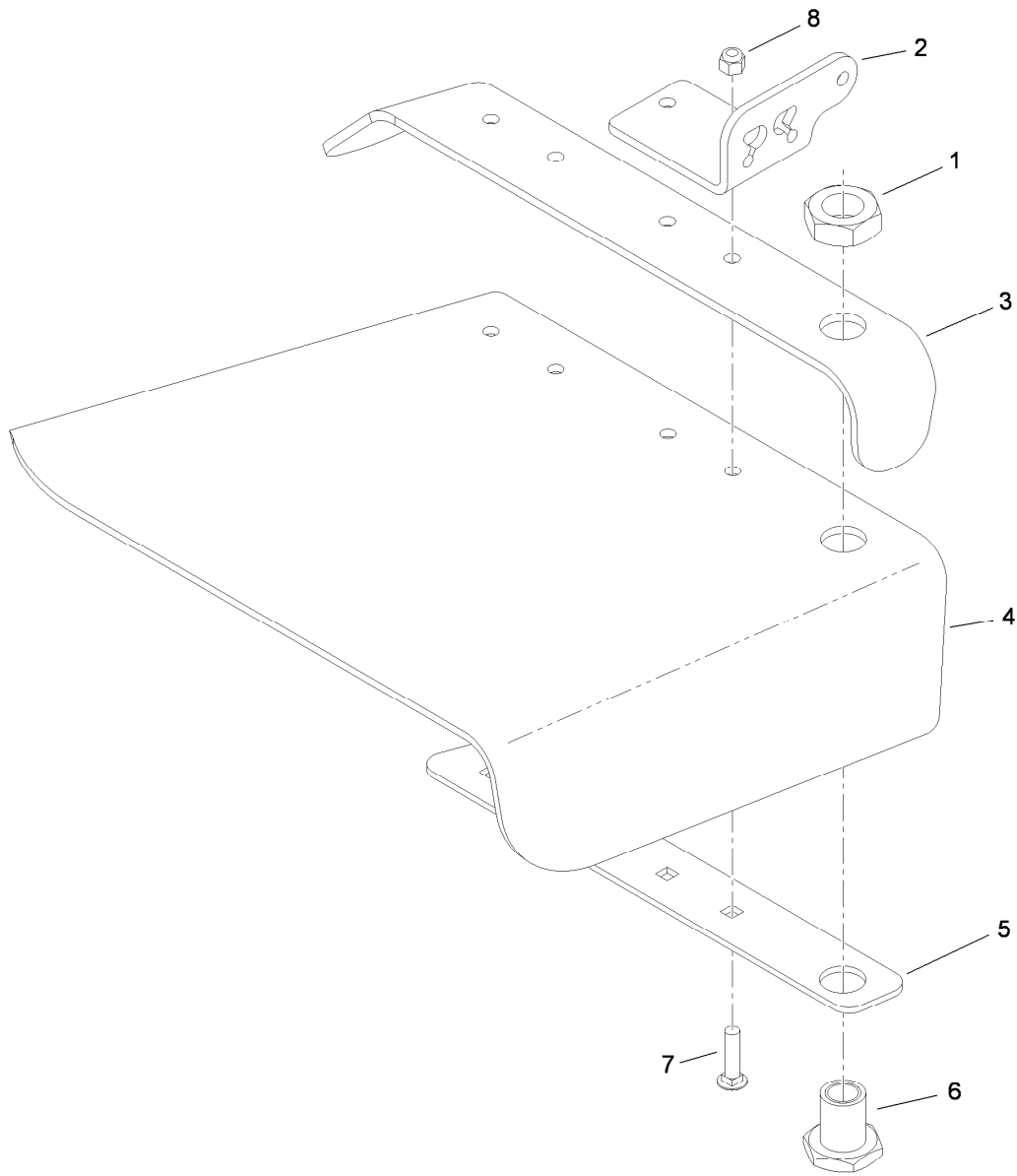
Contents

Chute Gate Assembly No. 119-7292..... 4
Rubber Deflector Assembly No. 117-0469..... 5
Door Assembly No. 117-0471 6



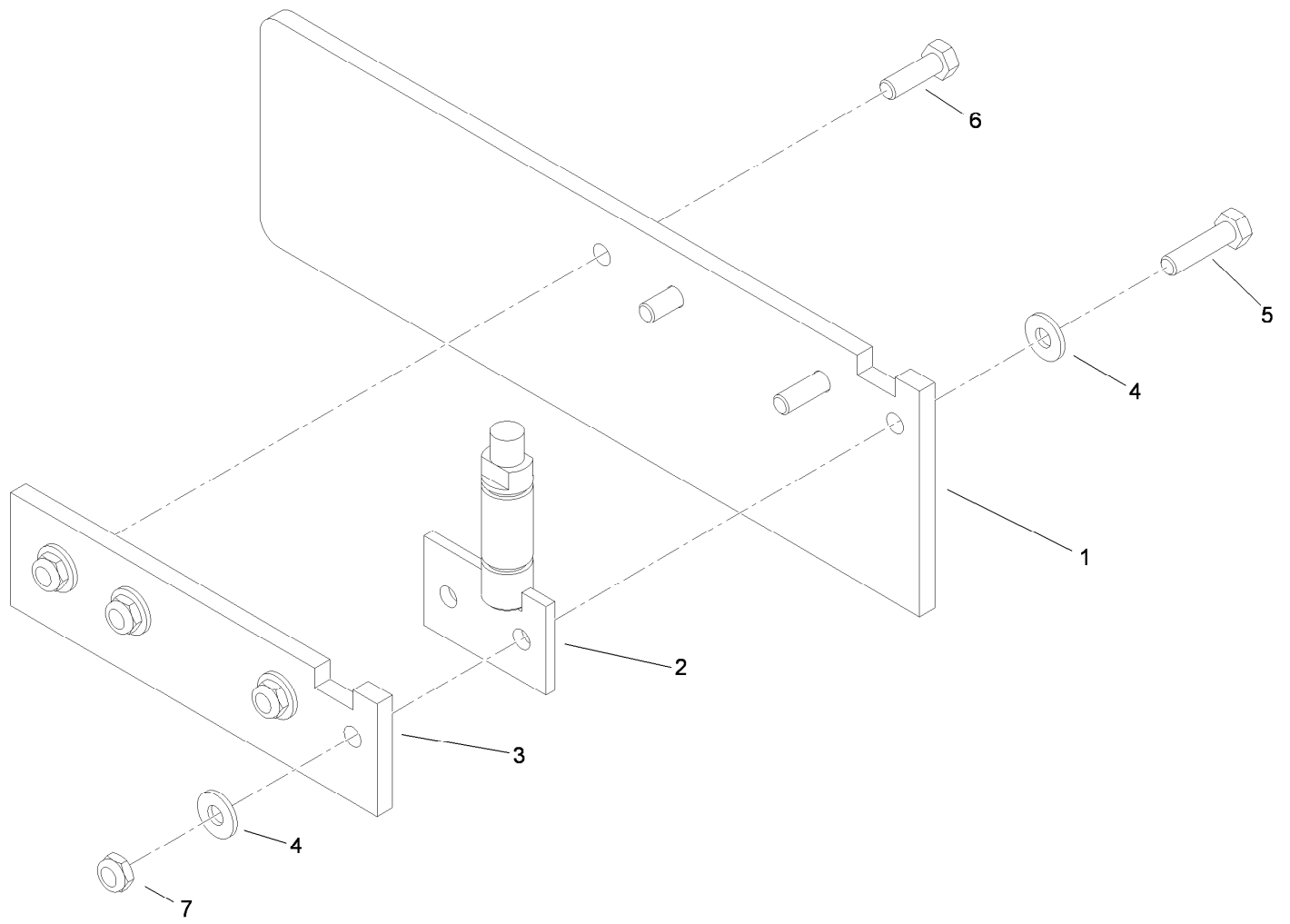
Chute Gate Assembly No. 119-7292

Ref.	Part Number	Qty.	Description	Ref.	Part Number	Qty.	Description
1	87-3660	1	Spring-Compression	16:3	108-7250	1	Decal-Gate, Chute
2	92-1624	4	Screw-HWH	17	237-65	2	O-Ring
3	93-3922	1	Mount-Tie, Cable	18	322-50	1	Screw-HH
4	105-4622	1	Spacer	19	3256-26	2	Washer-Flat
5	108-2231	1	Block-Detent	20	3256-28	2	Washer-Flat
6	108-4052	1	Spring-Torsion	21	3290-378	4	Tie-Cable
7	108-7216	2	Pulley-Bottom	22	3296-29	2	Nut-Lock, NI
8	108-7217	2	Pulley-Middle	23	3296-45	2	Nut-Lock, NI
9	108-7218	2	Pulley-Top	24	32121-15	2	Pin-Roll
10	108-7221	1	Grip	25	32144-70	1	Screw-HWHTF
11	108-7247	1	Tube-Convolved	26	103-5971	1	Bag-Trash
12	119-7314	2	Cable	27	117-0546	1	Rod-Bag, Trash
13	114-1958	1	Handle	28	119-7200-01	1	Adapter
14	117-0469	1	Rubber Deflector ASM	99	108-4102	1	Decal-Gate, Chute (Ce)
15	117-0471	1	Door ASM				
16	117-0475	1	Control Bracket With Decal ASM				



Rubber Deflector Assembly No. 117-0469

<i>Ref.</i>	<i>Part Number</i>	<i>Qty.</i>	<i>Description</i>
1	67-5840	1	Nut-Jam
2	108-2241-01	2	Plate-Hinge
3	108-2245-01	1	Deflector
4	117-0470	1	Deflector-Chute, Rubber
5	108-2247-03	1	Strap-Discharge
6	108-7215	1	Hub ASM
7	3231-4	4	Screw-CARR
8	3296-39	4	Nut-Lock, NI



Door Assembly No. 117-0471

<i>Ref.</i>	<i>Part Number</i>	<i>Qty.</i>	<i>Description</i>
1	117-0472	1	Gate-Chute, Rubber
2	107-8505	1	Hinge-Gate
3	108-7219	1	Door-Support
4	3256-2	8	Washer-Flat
5	322-6	2	Screw-HH
6	322-5	2	Screw-HH
7	3296-47	4	Nut-Lock, NI

Notes:



Count on it.