



**312-8 GT-CLASSIC**  
**GARDEN TRACTOR**

**Model No. 73363 – 6900001 & Up**

---

**Parts Catalog**

## ORDERING REPLACEMENT PARTS

To order replacement parts, please supply: the part number, the quantity, and the description of each part desired.

## Contents

Description	Page	Description	Page
Hood and Grille .....	1	Front Plate. Relays .....	18
Frame Steering .....	2	Transmission 8-Speed 4 Pinion .....	19
Console — Gear .....	3	Transmission 8-Speed 4 Pinion (Continued) ...	20
Footrests .....	4	Air Cleaner .....	21
Guages, Throttle .....	5	Carburetor .....	22
Manual Lift System .....	6	Governor Linkage .....	23
Clutch .....	7	Fuel Pump .....	24
Brake .....	8	Baffles And Shrouds .....	25
Fender, Seat .....	9	Breather And Vent .....	26
PTO Clutch Pulley .....	10	Flywheel .....	27
PTO Clutch Linkage .....	11	Ignition System .....	28
Engine .....	12	Crankcase And Cylinder Head .....	29
Transmission .....	13	Camshaft, Crankshaft And Valves .....	30
Wheels And Tires .....	14	Piston And Rings .....	31
Hitches .....	15	Oil Pan And Dipstick .....	32
Battery .....	16	Starter .....	33
Fuel Tank .....	17	<b>Note:</b>	

## Accessories

Description	Model / Parts No.	Description	Model / Parts No.
..			

## Part Description Abbreviations

Part descriptions in this catalog may include the following abbreviations.

Abbreviation	Meaning	Abbreviation	Meaning
AR .....	as required	HSBH .....	hex socket button head
ASM .....	assembly	HSFH .....	hex socket flat head
CARR .....	carriage	HSH .....	hex socket head
DEG .....	degrees	HWH .....	hex washer head
FH .....	flat head	HWHTF .....	hex washer head thread forming
GA .....	gauge	INC .....	incorporated
HF .....	hex flange	LH .....	left hand
HFW .....	hex flange washer	PH .....	pan head
HH .....	hex head	PPH .....	Phillips pan head
HHF .....	hex head flange	PTO .....	power take off
HHST .....	hex head self tapping	RH .....	right hand
HJ .....	hex jam	SFH .....	slotted fillister head
HOC .....	height-of-cut	SH .....	square head
HS .....	hex socket		

94-1820 Rev.C

SHWH .....	slotted hex washer head	TH .....	truss head
SPH .....	slotted pan head	TTH .....	Torx truss head
STD .....	standard	WH .....	wing head
TAP .....	self tapping		

## Important Format Explanations

This catalog uses special formats to convey information in illustrations and parts lists. Specifically, one format is used in conjunction with service assemblies and another with quantities associated with reference numbers.

### Service Assemblies

Parts within service assemblies have reference numbers in the form *X:Y*. *X* is the reference number of the service assembly and *Y* is a sequential number unique to each part within the service assembly.

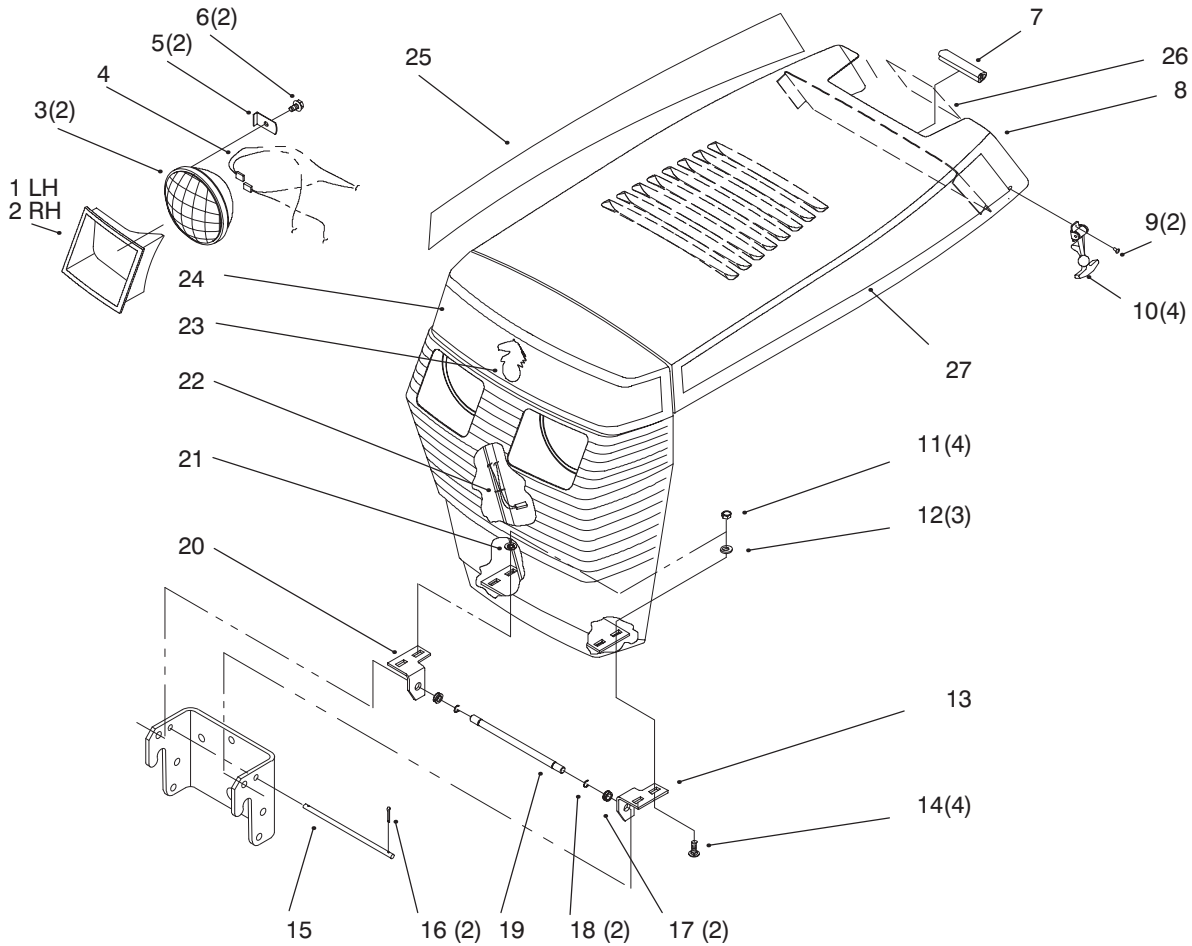
For example, a wheel assembly might be identified by reference number 6, the tire by 6:1, the valve by 6:2, and the wheel by 6:3. When you order the assembly identified by reference number 6, you receive all parts identified by reference numbers 6:1, 6:2, and 6:3. However, you may also order any part individually.

Reference numbers of this type appear in part lists and as callouts in illustrations.

## Reference Numbers with Quantities

Illustrations may have a quantity in parentheses next to a reference number, in the form  $X (Y)$ .  $X$  is the reference number.  $Y$  in parentheses is the quantity of the part identified by the reference number.

For example, the illustration callout 4 (2) indicates that two parts are used in that instance.



Sheet No.: 2

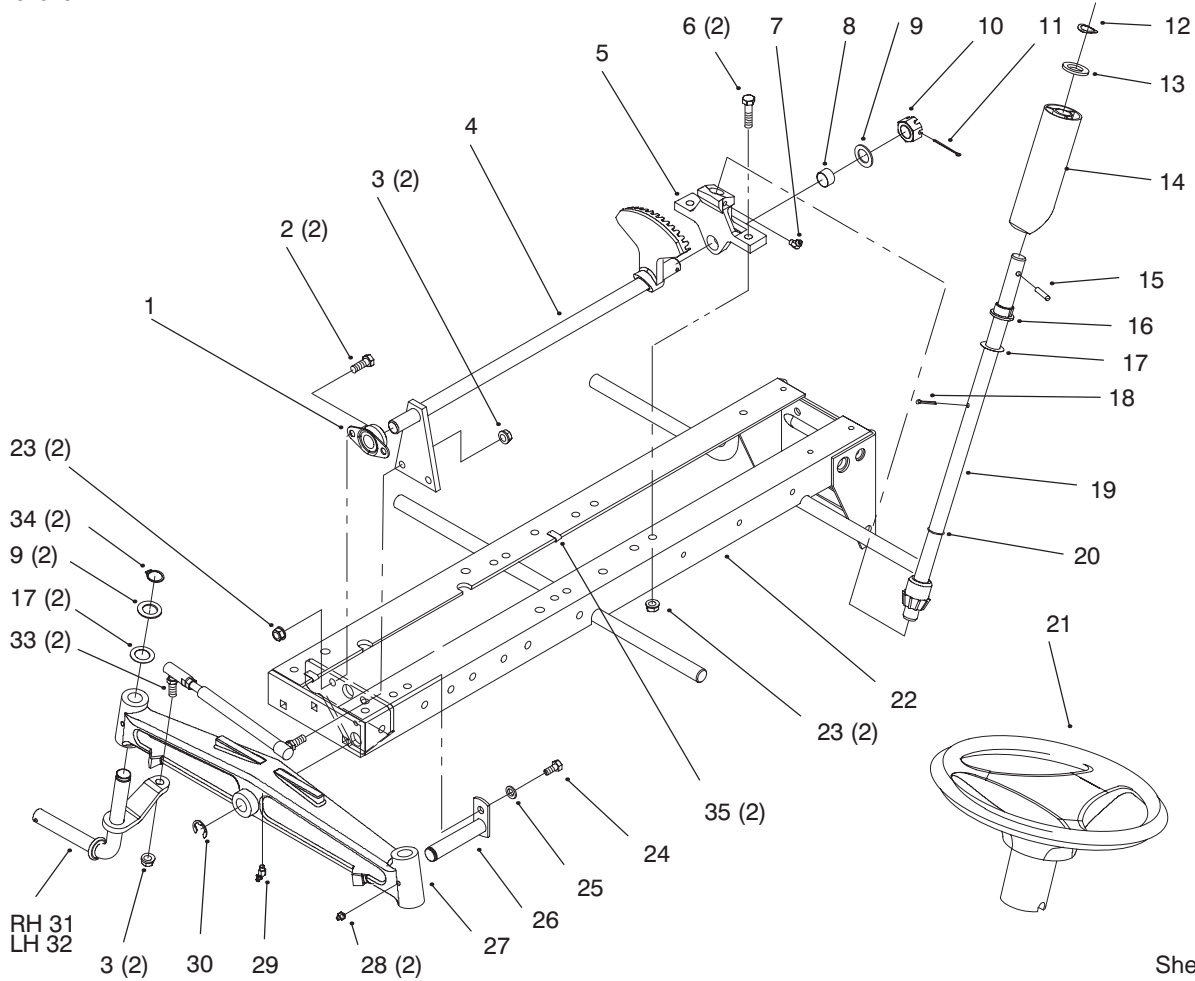
## Hood and Grille

Ref. No.	Part No.	Qty.	Description
1	109495	1	Bezel-LH Headlight
2	109494	1	Bezel-RH Headlight
3	102881	2	Headlamp
4	108130	1	Wire- Ground
5	109459	2	Clamp-Headlight
6	9266714	2	Screw-HWHTF
7	111757	1	Edging
8	112358	1	ASM-Hood & Grill
9	117432	4	Poprivet
10	117344	2	Handle-Latch
11	3296-42	4	Nut-Lock
12	3256-22	3	Washer-Flat
13	116747	1	Bracket-Grill L.H.
14	3229-25	4	Screw-CARR
15	101850	1	Rod-Hood Stop
16	3272-1	2	Pin-Cotter
17	5979	2	Bushing-Nyliner
18	105797	2	Ring-Ext Ret
19	116745	1	Rod-Grill Pivot
20	116746	1	Bracket-Grill R.H.
21	3254-2	1	Washer-Lock
23	94-3709	1	Horsehead Logo
24	92-9826	1	Decal-Front Hood
25	94-6333	1	Decal-Hood RH Top
26	92-9837	1	Decal-Danger
27	94-6332	1	Decal-Hood LH Top

Ref. No.	Part No.	Qty.	Description

Part Identified in illustration but not in part list are not used on this model

3318-518



Sheet No.: 3

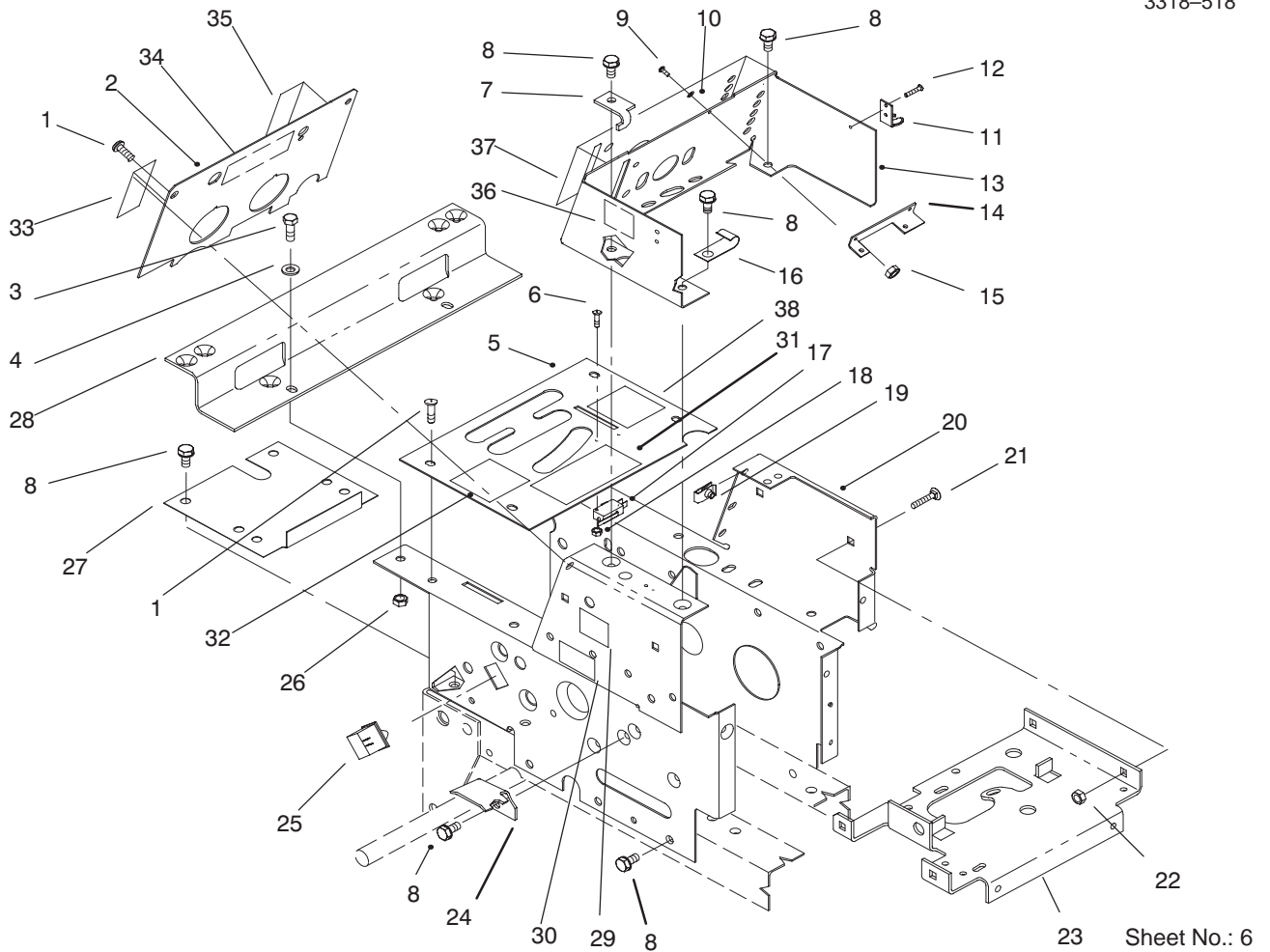
### Frame Steering

Ref. No.	Part No.	Qty.	Description
1	6472	1	Bearing-Flanged
2	323-6	2	Screw-HH
3	3296-6	4	Nut-Lock
4	78-2880	1	Lower Steering
5	88-2710	1	Support-Lower Steering
6	323-8	2	Screw-HH
7	1481	2	Fitting-Grease
8	6397	1	Bearing-Bronze
9	1278	3	Washer-Shim
10	32136-5	1	Nut-Slotted
11	3272-19	1	Pin-Cotter
12	7896	1	Washer-Bowed
13	109262	2	Washer
14	113443	1	Tube-Steering Shaft
15	32121-111	1	Pin-Spiral
16	109189	1	Bearing-Flange
17	3272-21	1	Pin-Cotter
17	5210	14	Washer-Shim
19	92-4987	1	Steering Shaft
20	237-69	1	O-Ring
21	94-3519	1	Steering Wheel 15"
22	94-3715-01	1	Frame
23	3296-39	4	Nut-Lock
24	322-1	1	Screw-HH
25	3253-4	1	Washer-Lock

Ref. No.	Part No.	Qty.	Description
26	6216	1	Pin
27	5638	1	Axle-Front
28	302-5	2	Fitting-Grease
30	5618	1	Ring-Retaining
31	113379	1	Spindle
32	113380	1	Spindle
33	78-2900	2	ASM-Tie Rod
34	32120-93	2	Snap Ring
35	8519	2	Clip-Wire

Part Identified in illustration but not in part list are not used on this model

3318-518



Sheet No.: 6

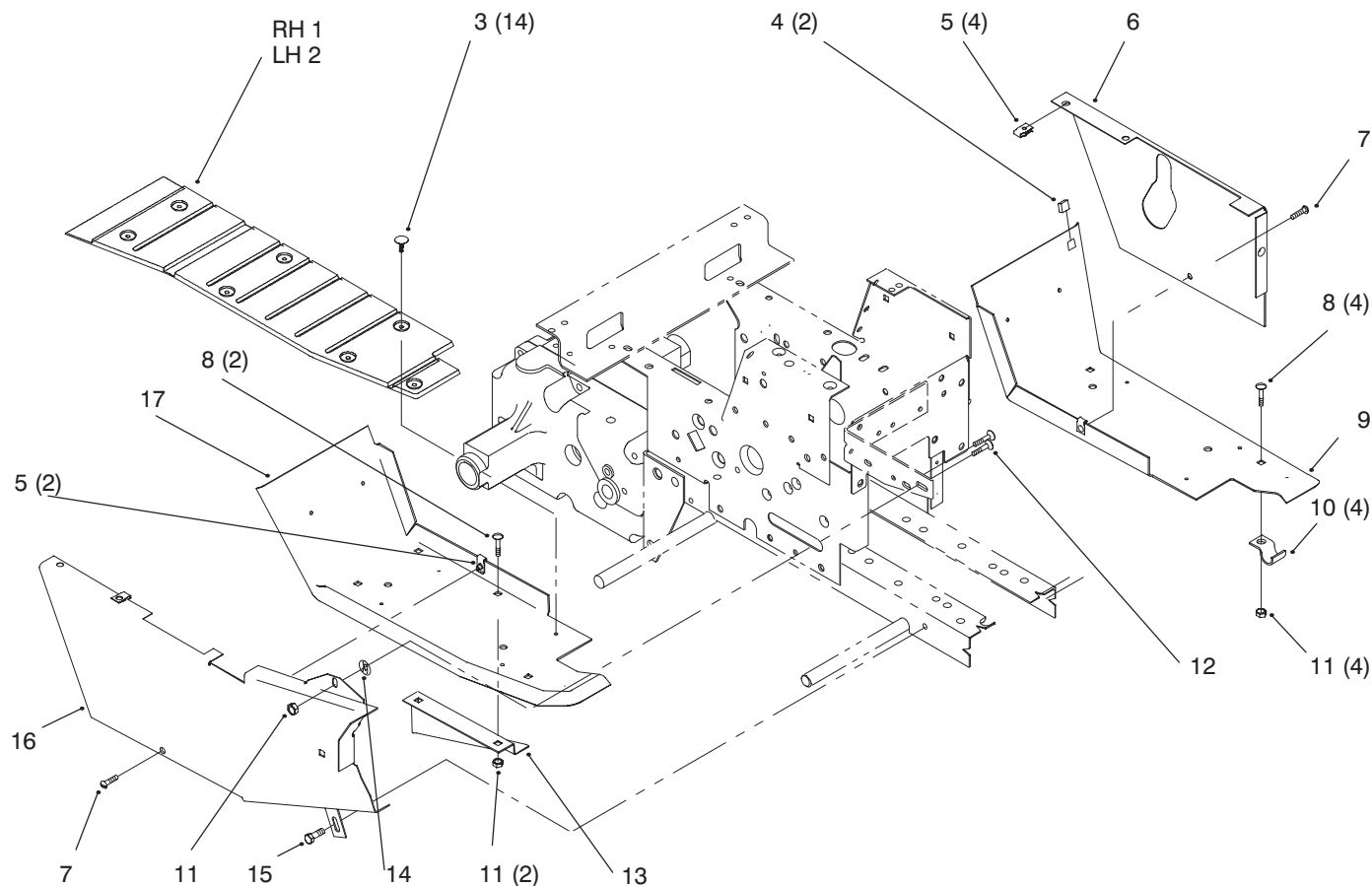
## Console – Gear

Ref. No.	Part No.	Qty.	Description
1	9108372	6	Screw-Phcr
2	94-1808	1	Plate-Hoodstand
3	322-5	2	Screw-HH
4	3256-23	2	Washer-Flat
5	111386	1	Plate-Shift Pattern
7	112415	1	Stop-PTO
8	9266944	11	Screw-HH
11	117343	2	Latch-Hood
12	117431	4	Poprivet
13	79-3640	1	Console
16	111392	1	Retainer-Offset"j"
19	107069	4	Nut-Speed
20	92-1525	1	Hoodstand
21	117371	4	Screw-CARR
22	9151126	4	Nut-HH
23	78-3010	1	Bracket-Battery Support
24	88-2170	1	Bracket-Belt
25	103480	1	Switch-Interlock
26	3296-29	2	Nut-Lock
27	106250	1	Cover-Dust
28	107951	1	Bracket-Fender Front
30	94-6337	2	Decal-Model 312-8
31	92-8946	1	Decal-Danger
32	111534	1	Decal-Shift Pattern
33	111960	1	Decal-PTO Clutch

Ref. No.	Part No.	Qty.	Description
34	79-2470	1	Decal-Back Plate
34	93-7339	A/R	Decal-Back Plate
35	112168	1	Decal-Lift
36	111926	1	Decal-Electric System
37	79-5810	1	Decal-Console
38	111510	1	Decal-Parking Brake

Part Identified in illustration but not in part list are not used on this model

3318-518



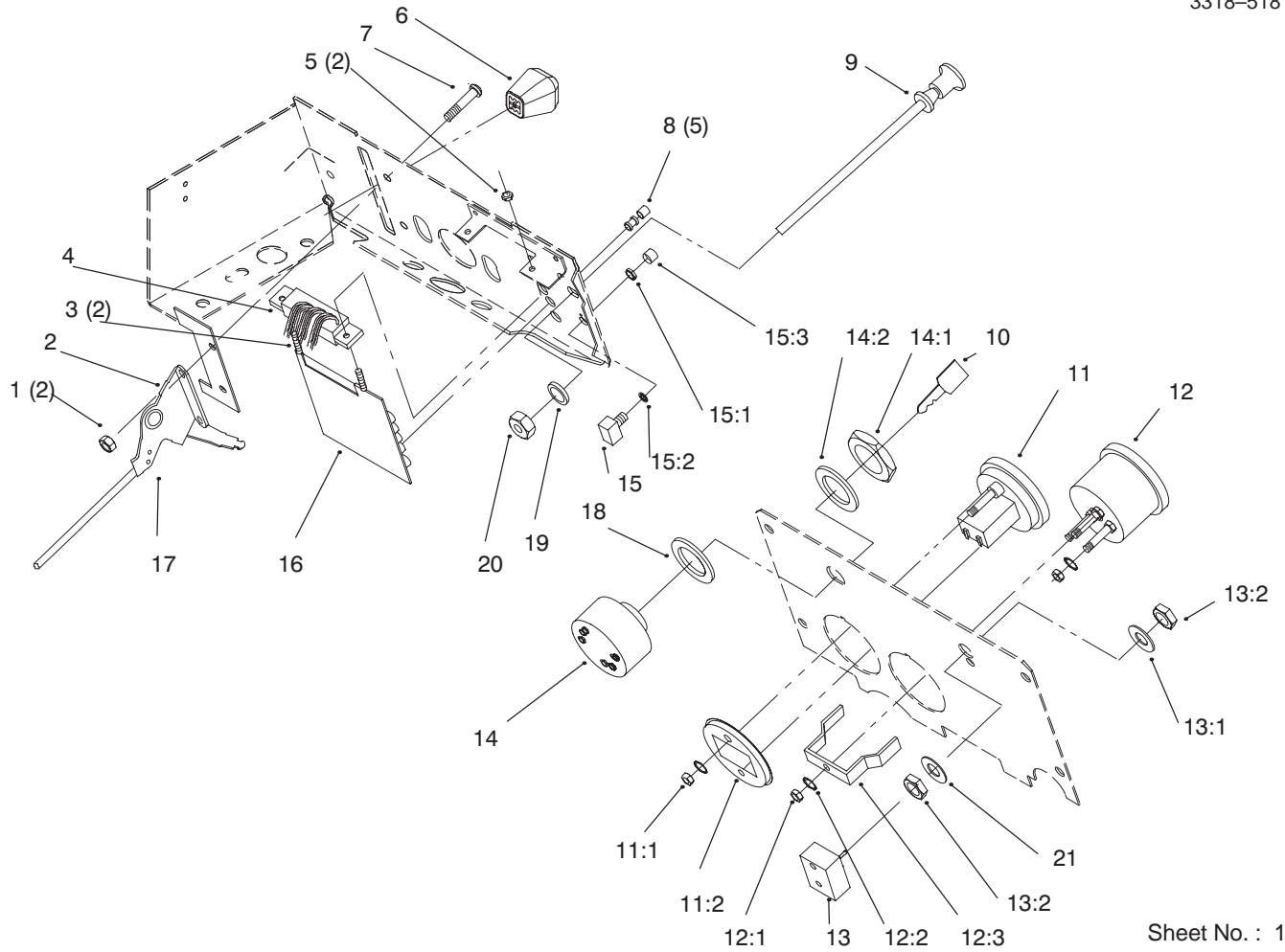
Sheet No. : 9

### Footrests

Ref. No.	Part No.	Qty.	Description
1	94-3710	1	Mat-Foot R.H.
2	94-3712	1	Mat-Foot L.H.
3	3290-479	16	Fastener-Panel
4	518211	A/R	Bumper-Rubber
5	107069	6	Nut-Speed
6	113935	1	Cover-Side L.H.
7	9108372	2	Screw
8	116000	6	Screw-CARR
9	94-3522	1	Footrest L.H.
10	7456	4	Clamp
11	3296-29	7	Nut-Lock
12	3230-1	1	Screw-CARR
13	106352	1	Guard-Lower Belt
14	108457	1	Nut-Push On
15	9266944	1	Screw-HH
16	94-3724-01	1	Belt Guard
17	94-3521	1	Footrest R.H.

Ref. No.	Part No.	Qty.	Description





Sheet No. : 10

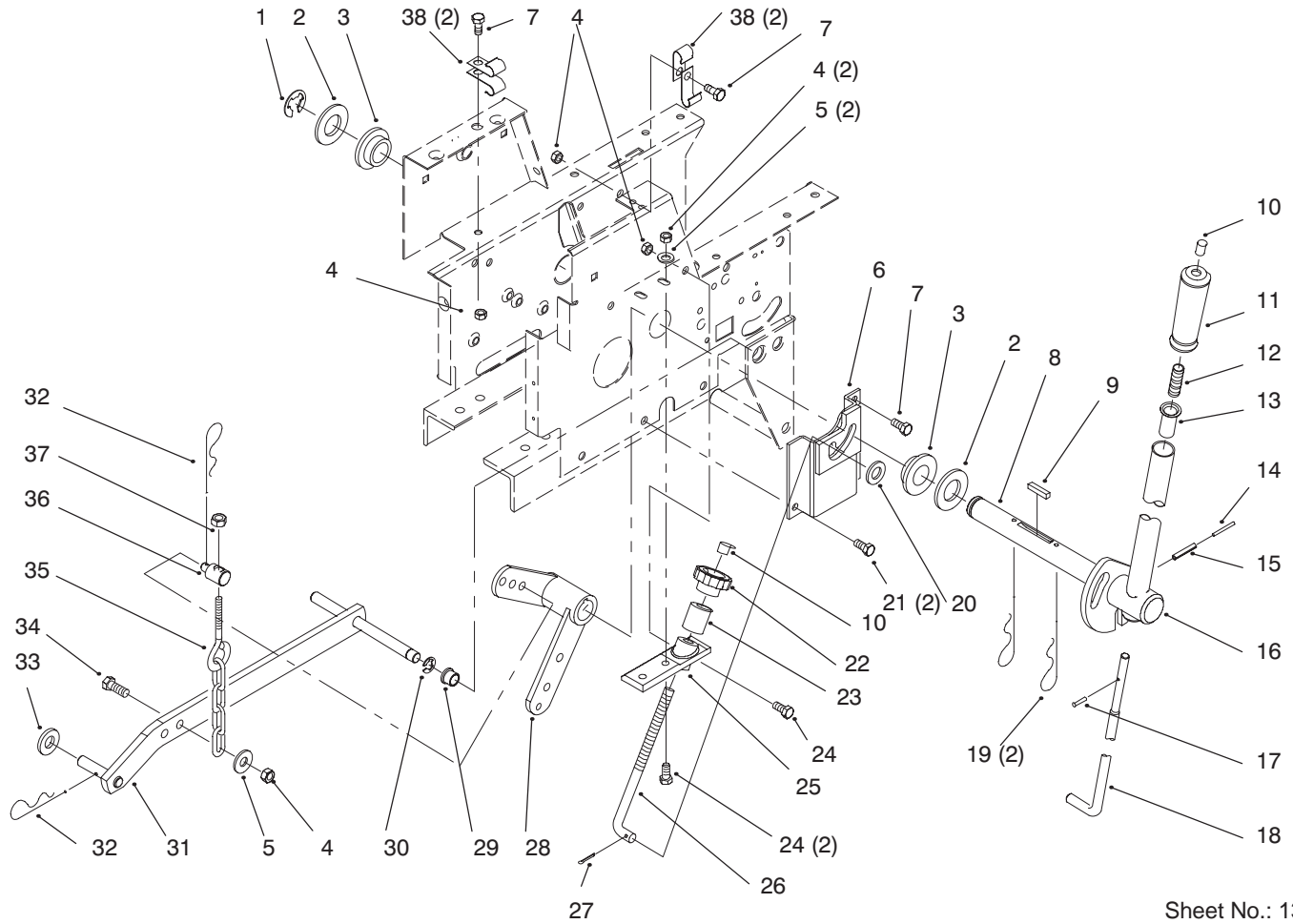
### Gages, Throttle

Ref. No.	Part No.	Qty.	Description
1	9157404	2	Nut
2	120590	1	Stop-Throttle
6	66-0120	1	Knob
7	9107922	2	Screw
9	112214	1	Control-Choke
10	62-7770	2	Key-Ignition
11	94-3723	1	Hourmeter
13	102138	1	ASM-Switch
14	116338	1	ASM-Switch
17	115854	1	Control-Throttle
18	9202624	1	Washer-Flat
19	3256-37	1	Washer-Flat
20	109530	1	Nut-Hex Palnut
21	9202594	1	Washer

Ref. No.	Part No.	Qty.	Description

Part Identified in illustration but not in part list are not used on this model

3318-518

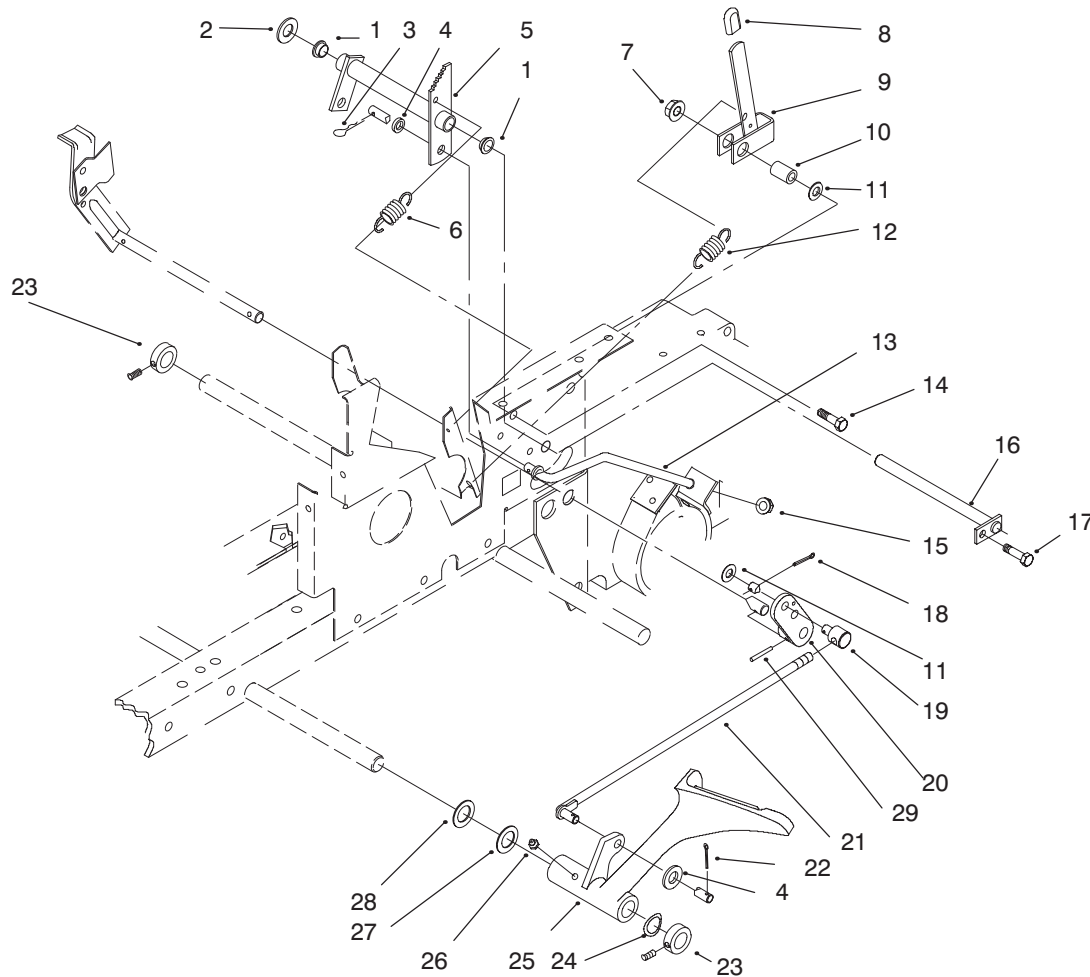


Sheet No.: 13

## Manual Lift System

Ref. No.	Part No.	Qty.	Description
1	32151-91	1	Ring-Retaining
2	3256-62	2	Washer-Flat
3	106269	2	Bearing-Flange
4	3296-29	6	Nut-Lock
5	3256-23	3	Washer-Flat
6	106411	1	ASM-Lift Hgt Cont Bkt
7	9266944	1	Screw-HH
8	108565	1	Shaft-Lift Lever
9	1121	1	Key
10	105316	2	Cap-Rod
11	92-6710	1	Grip-Handle
12	3624	1	Spring-Compression
13	8130	1	Retainer-Spring
14	32121-103	1	Pin-Spring
15	32121-25	1	Pin-Roll
16	108563	1	ASM-Lift Lever
17	933148	1	Pin-Spirol
18	106257	1	Rod-Latch
19	9335074	2	Cotter-Hairpin
21	3256-5	1	Washer-Flat
21	9266964	2	Screw-HH
22	5280	1	Knob-Height Control
23	106258	1	Sleeve
24	322-5	3	Screw-HH
25	106345	1	Casting-Lift Lever

Ref. No.	Part No.	Qty.	Description
26	110653	1	Rod-Height Control
27	3272-10	1	Pin-Cotter
28	78-1550	1	Lift Lever
29	6229	1	Bearing
30	32120-47	1	Ring-Retaining
31	113445	1	ASM-Lift Bar
32	9335054	2	Hairpin
33	3256-25	1	Washer-Flat
34	322-6	1	Screw-HH
35	106522	1	Chain-Lift
36	6739	1	Trunnion
37	3296-39	1	Nut-Lock
38	8830	4	Retainer-”j”
39	322-2	2	Screw-HH



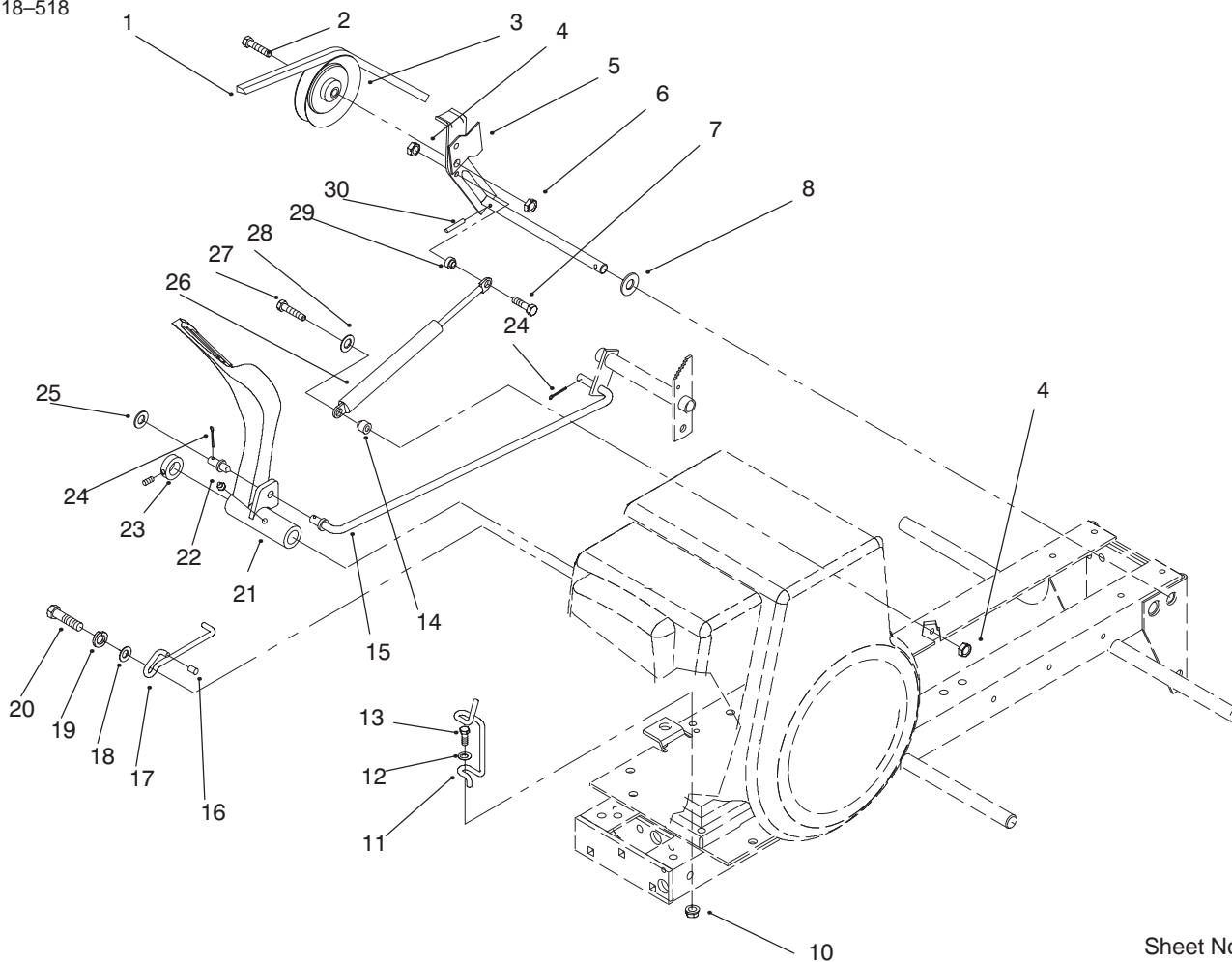
## Clutch

Ref. No.	Part No.	Qty.	Description
1	7879	2	Bushing
2	3256-26	1	Washer-Flat
3	9335054	1	Hairpin
4	920248	2	Washer-Nylon
5	103543	1	ASM-Brake Bellcrank
6	103628	1	Spring-Extension
7	102809	1	Nut-Hex Lock
8	6820	1	Grip
9	106451	1	ASM-Parking Brake
10	102025	1	Spacer
11	3256-24	2	Washer-Flat
12	107677	1	Spring-Extension
13	105900	1	Rod-Brake Rear
14	323-9	1	Screw-HH
15	107939	A/R	Belt-8 Sp Drive
15	3296-39	1	Nut-Lock
15	93-9808	A/R	V-Belt Single
16	106417	1	ASM-Rod
17	9266944	1	Screw-HH
18	3272-6	1	Pin-Cotter
19	101161	1	Trunion
20	105896	1	Arm-Clutch Rod
21	103347	1	Rod-Clutch
22	3272-10	1	Pin-Cotter
23	111383	2	Collar W/Set Screw
24	7896	1	Washer-Bowed

Ref. No.	Part No.	Qty.	Description
25	94-3703	1	Pedal-Clutch
26	302-5	1	Fitting-Grease
27	1278	1	Washer-Shim
28	9202254	1	Washer-Special
29	933190	1	Pin-Spring
30	108035	A/R	Spring-Clutch

**Part Identified in illustration but not in part list are not used on this model**

3318-518

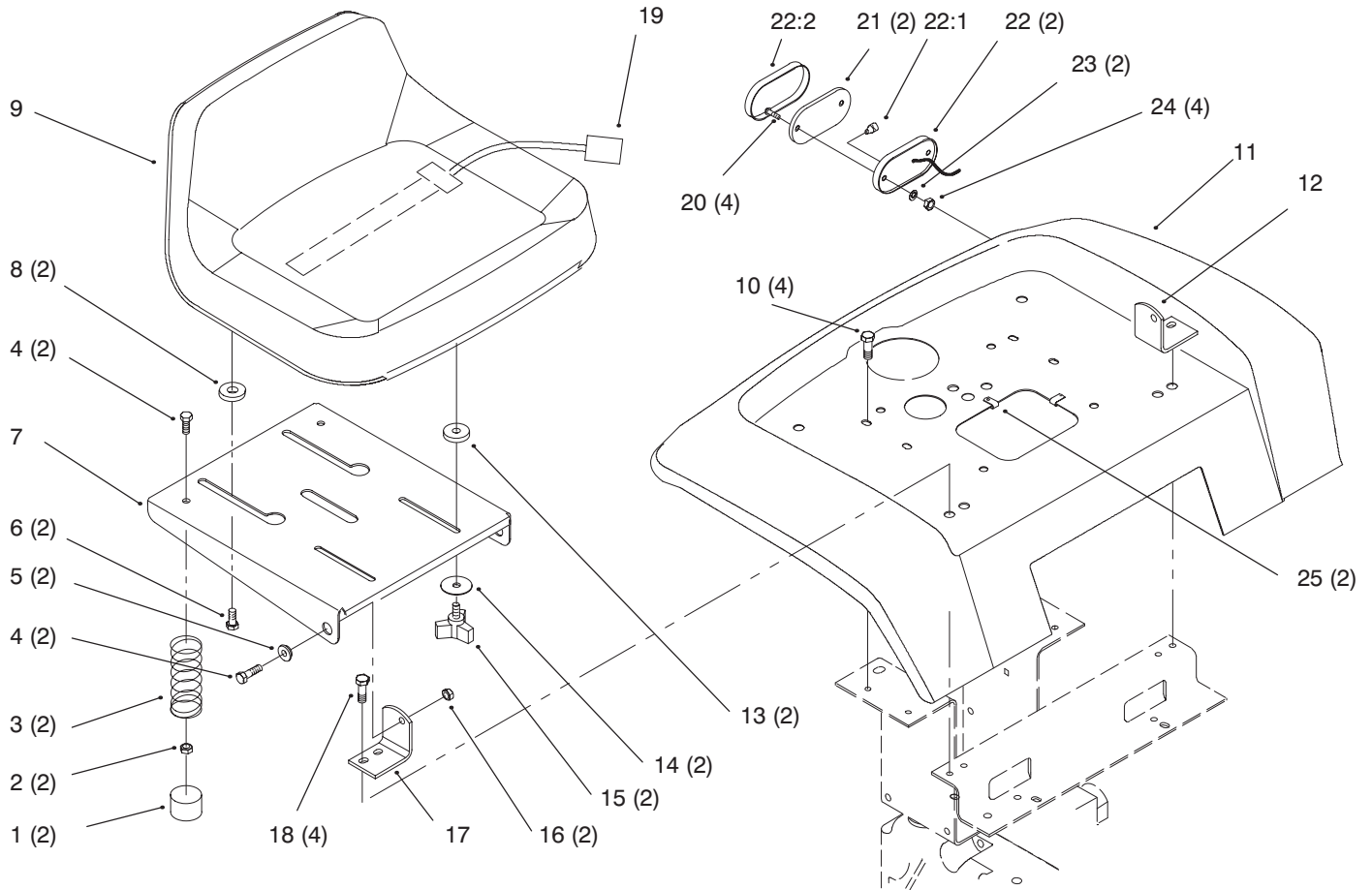


Sheet No.: 19

# Brake

Ref. No.	Part No.	Qty.	Description
1	93-9808	1	V-Belt Single
2	106193	1	Screw-HH Sp Hd
3	7451	1	Pulley-V
4	3296-42	2	Nut-Lock
5	78-2970	1	ASM-Clutch Idler Arm
6	32146-2	1	Nut-Lock
7	321-31	1	Screw-HH
8	3765	1	Washer-Shim
14	78-3250	1	Spacer-Shoulder
15	92-6849	1	Rod-Brake Front
16	112841	1	Cap-#234-5 Black
17	111242	1	Wire-Belt Guide
18	3256-25	1	Washer-Flat
19	3253-6	1	Washer-Lock
20	324-5	1	Screw-HH
21	94-3706	1	Pedal-Brake
22	302-5	1	Fitting-Grease
23	111383	1	Collar W/Set Screw
24	3272-10	2	Pin-Cotter
25	920248	1	Washer-Nylon
26	78-3240	1	Absorber-Gas Spring
27	321-9	1	Screw-HH
28	3256-22	1	Washer-Flat
29	78-3260	1	Spacer-Shoulder
30	933267	1	Pin-Spring

Ref. No.	Part No.	Qty.	Description



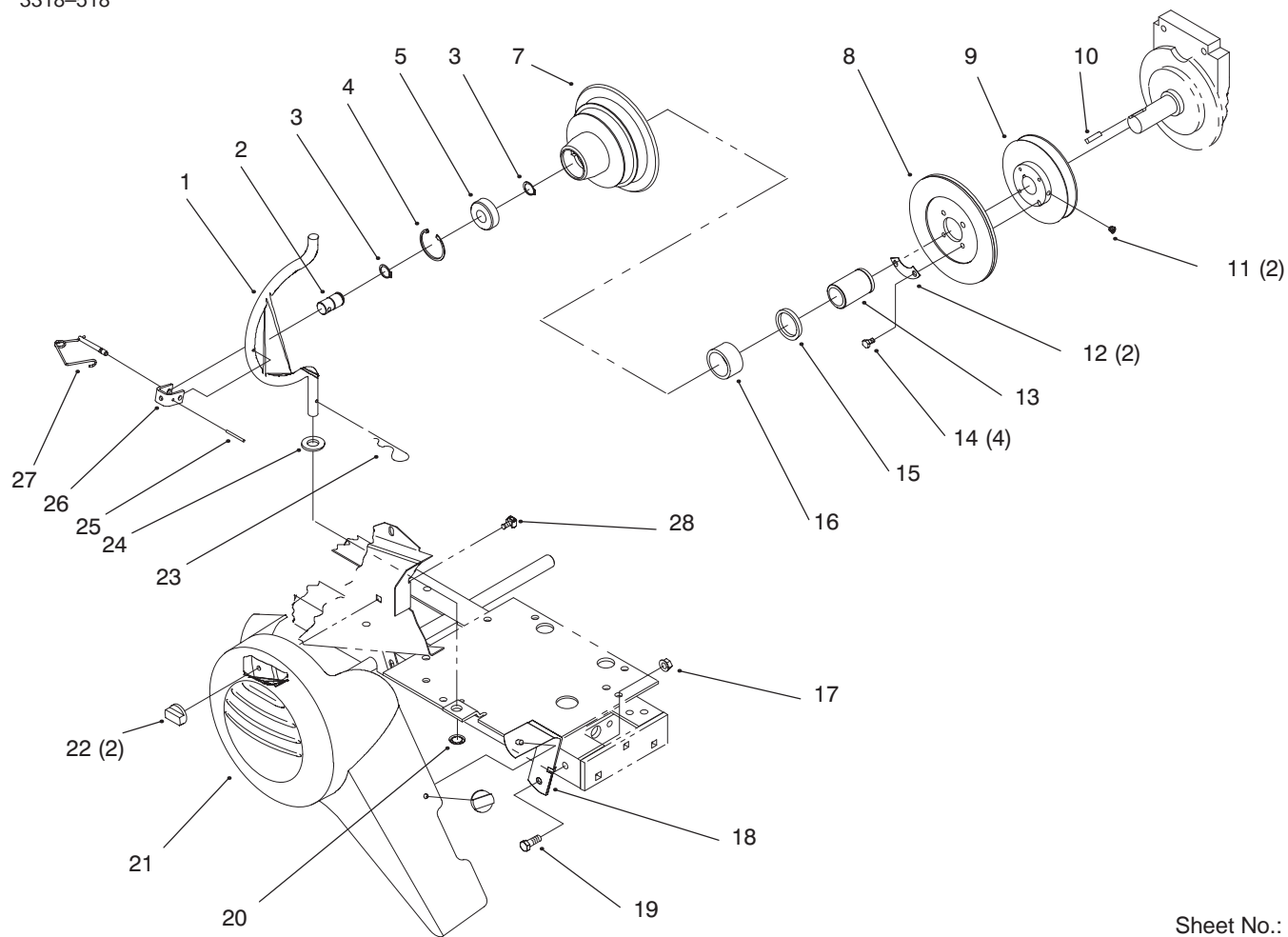
## Fender, Seat

Ref. No.	Part No.	Qty.	Description
1	701178	2	Cap-Protector
2	3296-58	2	Nut-Flange
3	92-7054	2	Spring-Compression
4	322-5	4	Screw-HH
5	105503	2	Bushing
6	92-6986	2	Bolt-Shoulder
7	92-6972-03	1	Support-Seat
8	92-6750	2	Spacer-Nylon
9	92-6511	1	Seat
10	9266944	4	Screw-HH
11	94-3722-01	1	Fender
12	79-0970-03	1	Bracket-Pivot LH
13	109989	2	Spacer
14	94-2869	2	Washer-Flat
15	700806	2	Knob
16	3296-29	2	Nut-Lock
17	79-0950-03	1	Bracket-Pivot RH
18	9266974	4	Screw-HH
19	38-1420	1	Switch-Seat
20	3250-31	4	Screw-Phcr
21	108547	2	Reflector
24	3296-27	4	Nut-Lock
28	94-6334	1	Decal-Rear Fender
30	94-6331	1	Decal-Wheelhorse

Ref. No.	Part No.	Qty.	Description

Part Identified in illustration but not in part list are not used on this model

3318-518

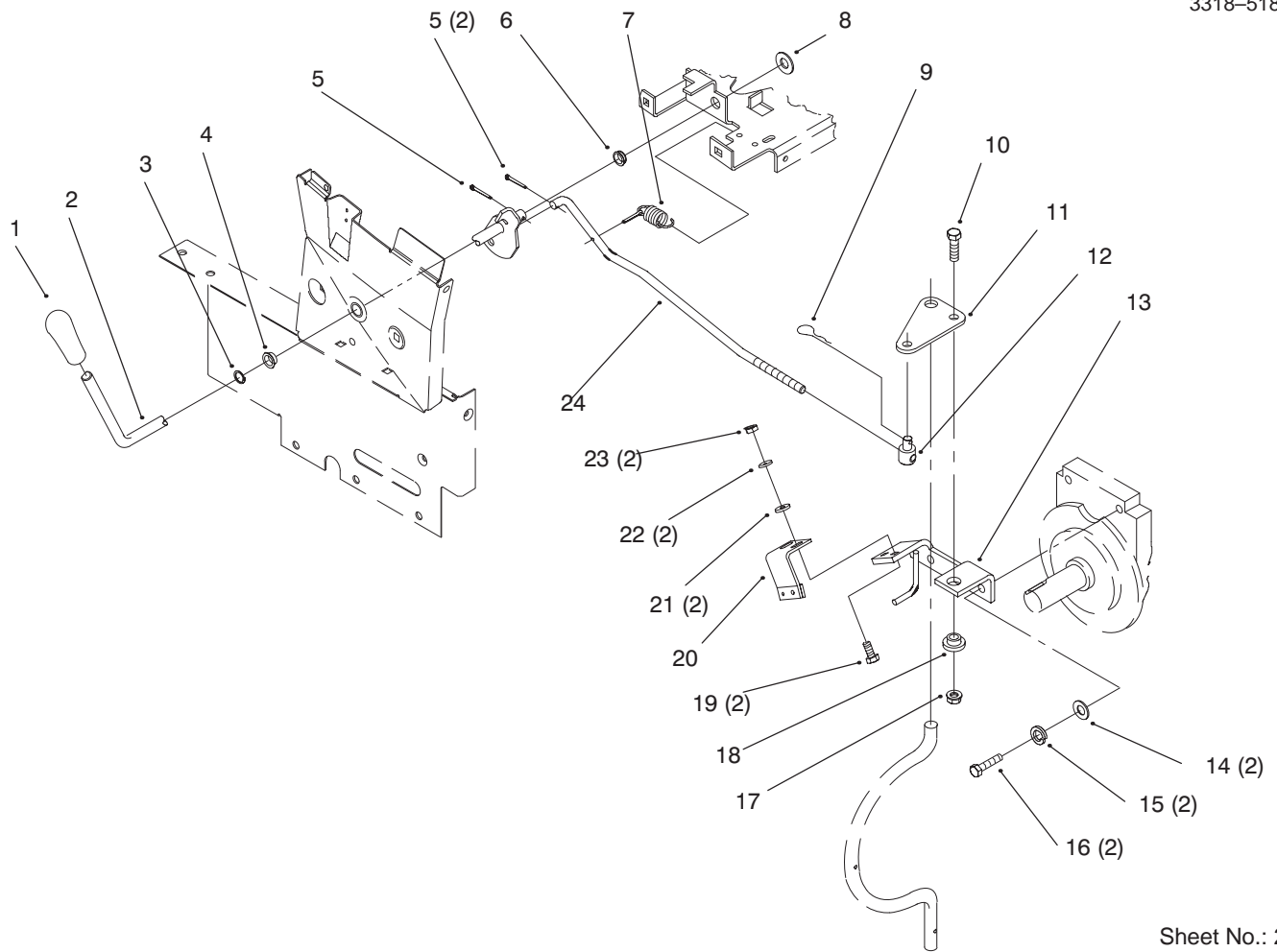


Sheet No.: 22

### PTO Clutch Pulley

Ref. No.	Part No.	Qty.	Description
1	113108	1	Rod-PTO Housing
2	102872	1	Shaft-PTO
3	32120-72	2	Ring-Retaining
4	32120-62	1	Ring-Retain
5	109842	1	Bearing-Ball
7	103478	1	Housing-Clutch
8	114881	A/R	ASM-PTO Clutch Plate
8	94-6650	1	ASM-Plate
9	7466	1	Pulley-Engine
10	105453	1	Key-Sq
11	3246-2	2	Screw-HSH Set
12	6659	2	Retainer
13	6658	1	Race-Bearing
14	9080026	4	Screw-Lock
15	6663	1	Seal-Oil
16	6662	1	Bearing-Needle
17	32128-40	1	Nut-Lock
18	94-3726	1	Bracket
19	323-6	1	Screw-HH
20	106695	1	Ring-Push On
21	94-3704	1	Belt Cover-PTO
22	94-3735	2	Nut-Wing
23	9335064	1	Hairpin
24	3256-27	1	Washer-Flat
25	933274	1	Pin-Spirol

Ref. No.	Part No.	Qty.	Description
26	113107	1	Clevis
27	111314	1	ASM-Pin
28	94-3729	1	Retainer-Bolt



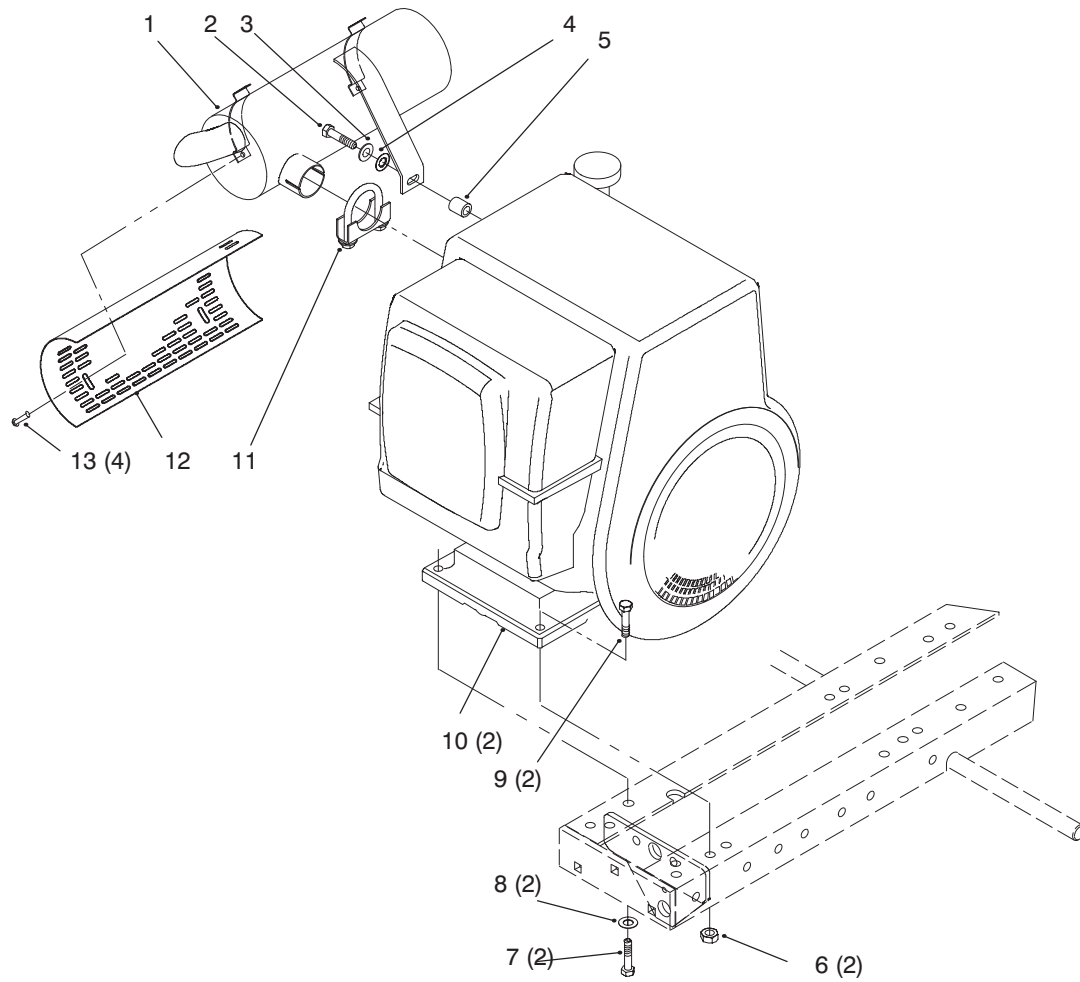
Sheet No.: 23

## PTO Clutch Linkage

Ref. No.	Part No.	Qty.	Description
1	94-3727	1	Knob
2	94-3701	1	PTO Clutch Lever
3	32151-11	1	Ring-Grip
4	5666	1	Bushing-Nyliner
5	3272-10	3	Pin-Cotter
6	5983	1	Bushing
7	103125	1	Spring-Extension
8	3765	1	Washer-Shim
9	9335054	1	Hairpin
10	323-7	1	Screw-HH
11	110669	1	Plate-PTO
12	110656	1	Trunnion
13	111240	1	Bracket
14	3256-25	2	Washer-Flat
15	3253-6	2	Washer-Lock
16	324-5	2	Screw-HH
17	3296-39	1	Nut-Lock
18	104859	1	Spacer-Link
19	3229-25	2	Screw-CARR
20	110665	A/R	ASM-Bracket
20	94-6652	1	ASM-Brake
21	3256-22	2	Washer-Flat
22	3253-3	2	Washer-Lock
23	3218-1	2	Nut-Jam
24	111052	1	Rod-PTO Clutch

**Part Identified in illustration but not in part list are not used on this model**

3318-518



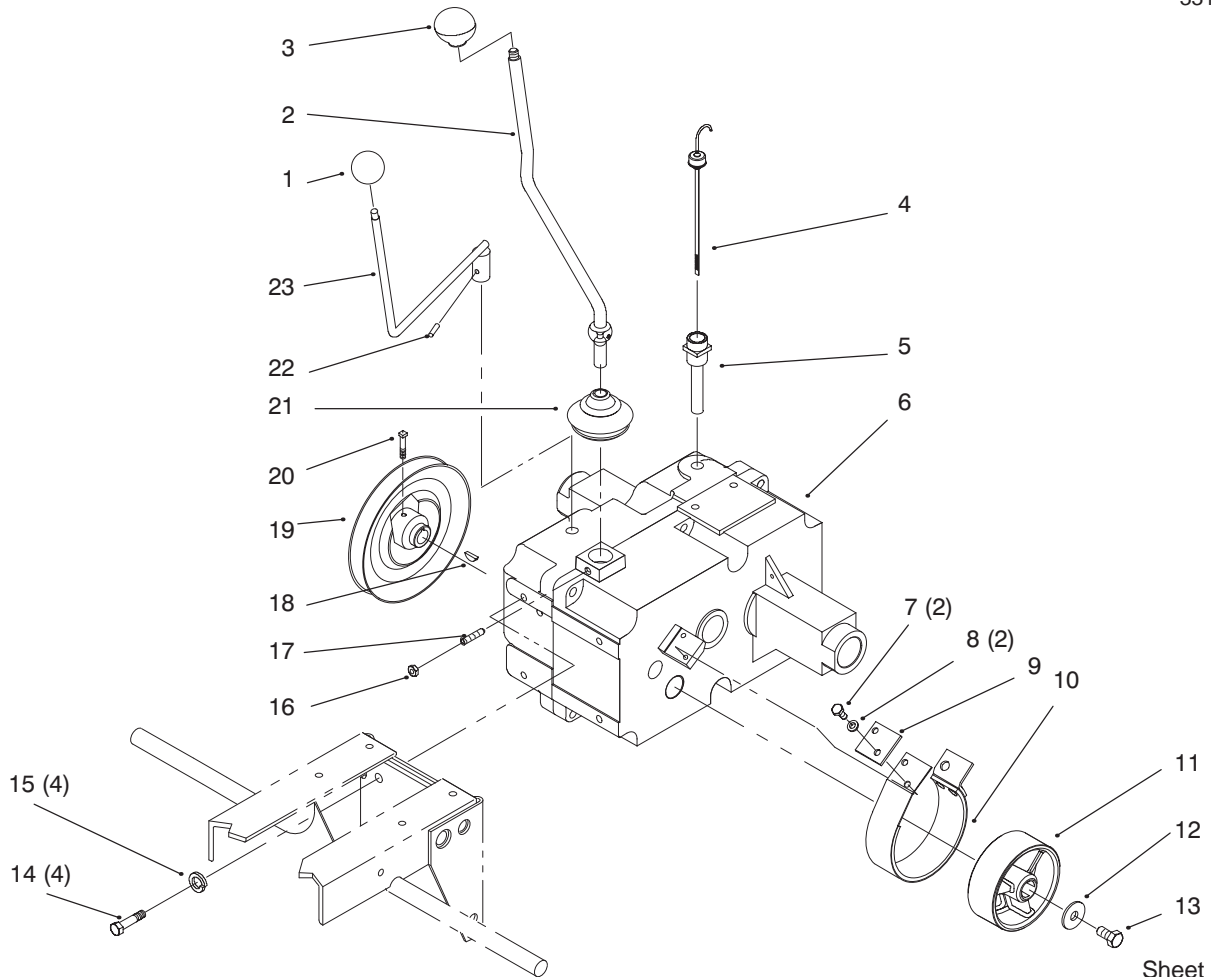
Sheet No.: 25

**Engine**

Ref. No.	Part No.	Qty.	Description
1	94-3739	1	Muffler
2	322-7	1	Screw-HH
3	3253-4	1	Washer-Lock
4	3256-23	1	Washer-Flat
5	6876	1	Spacer
6	3296-39	2	Nut-Lock
7	323-6	2	Screw-HH
8	3253-21	2	Washer-Spring Lock
9	323-8	2	Screw-HH
10	117255	1	Engine-12 Hp Kohler
11	106858	1	Clamp
12	94-3738	1	Shield-Heat
13	9103312	4	Screw-10-24 Black
14	109910	1	Wire-Ground
	93-9287	A/R	Bar-Muffler Guard

Ref. No.	Part No.	Qty.	Description



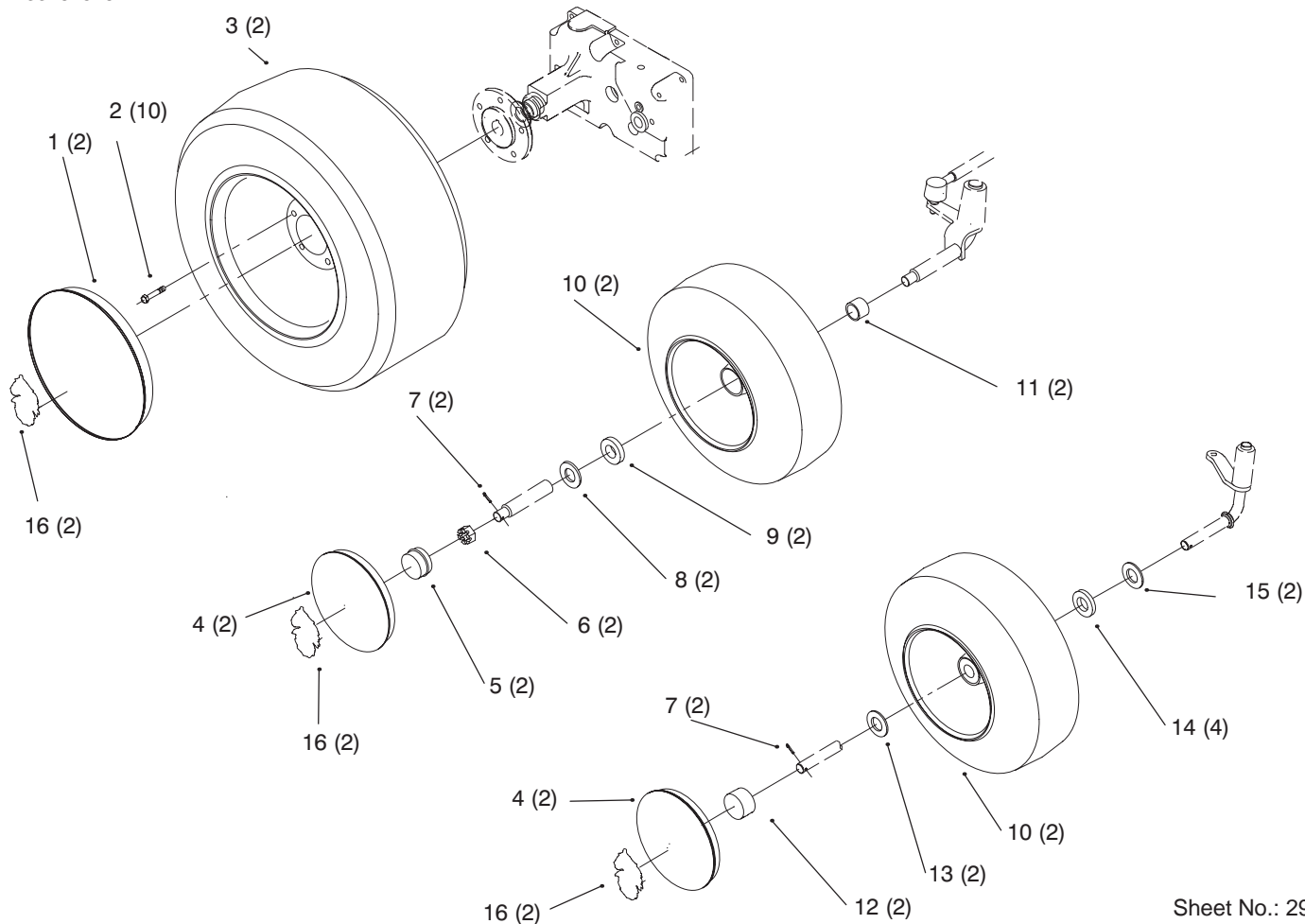


Sheet No.: 27

## Transmission

Ref. No.	Part No.	Qty.	Description
1	83-2710	1	Knob
2	110725	1	ASM-Rod
3	108758	1	Knob
4	101847	1	Dipstick
5	102703	1	Trans Nipple
6	92-8707	1	Trans ASM
7	321-3	2	Screw-HH
8	3253-3	2	Washer-Lock
9	9598	1	Plate-Stop
10	9593	1	Band-Brake
11	106719	1	Drum-Brake
12	2844	1	Washer-Flat
13	110234	1	Capsc
14	323-5	4	Screw-HH
15	3253-21	4	Washer-Spring Lock
16	3217-5	1	Nut-Hex
17	1239	1	Set Screw
18	937221	1	Key-Woodruff
19	106165	1	Pulley Trans
20	3242-2	1	Screw Set-SH
21	3577	1	Dust Cover
22	933184	1	Pin-Spirol
23	110727	1	ASM Shift Rod
24	94-1834	1	Decal-Unidrive

Ref. No.	Part No.	Qty.	Description



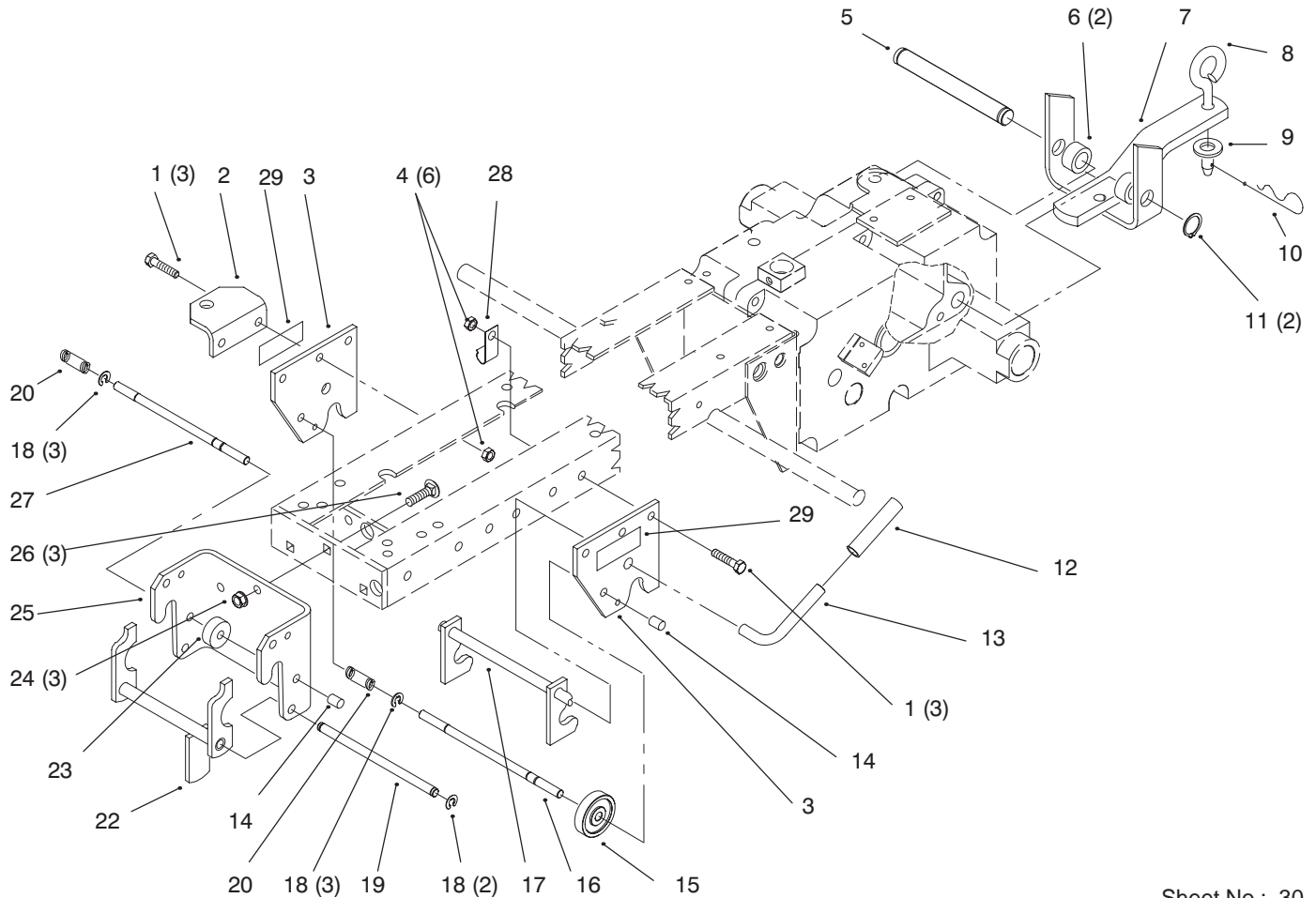
### Wheels And Tires

Ref. No.	Part No.	Qty.	Description
2	83-2720	10	Bolt-Lug
3	116741	2	ASM-Wheel & Tire
7	3272-17	2	Pin-Cotter
10	117289	2	ASM-Wheel & Tire
12	109154	2	Cap-Hub
13	109114	2	Washer-Hub Cap
14	1278	4	Washer-Shim
15	5210	2	Washer-Shim
16	94-3709	4	Horse Head-Logo

Ref. No.	Part No.	Qty.	Description

Part Identified in illustration but not in part list are not used on this model

3318-518



Sheet No.: 30

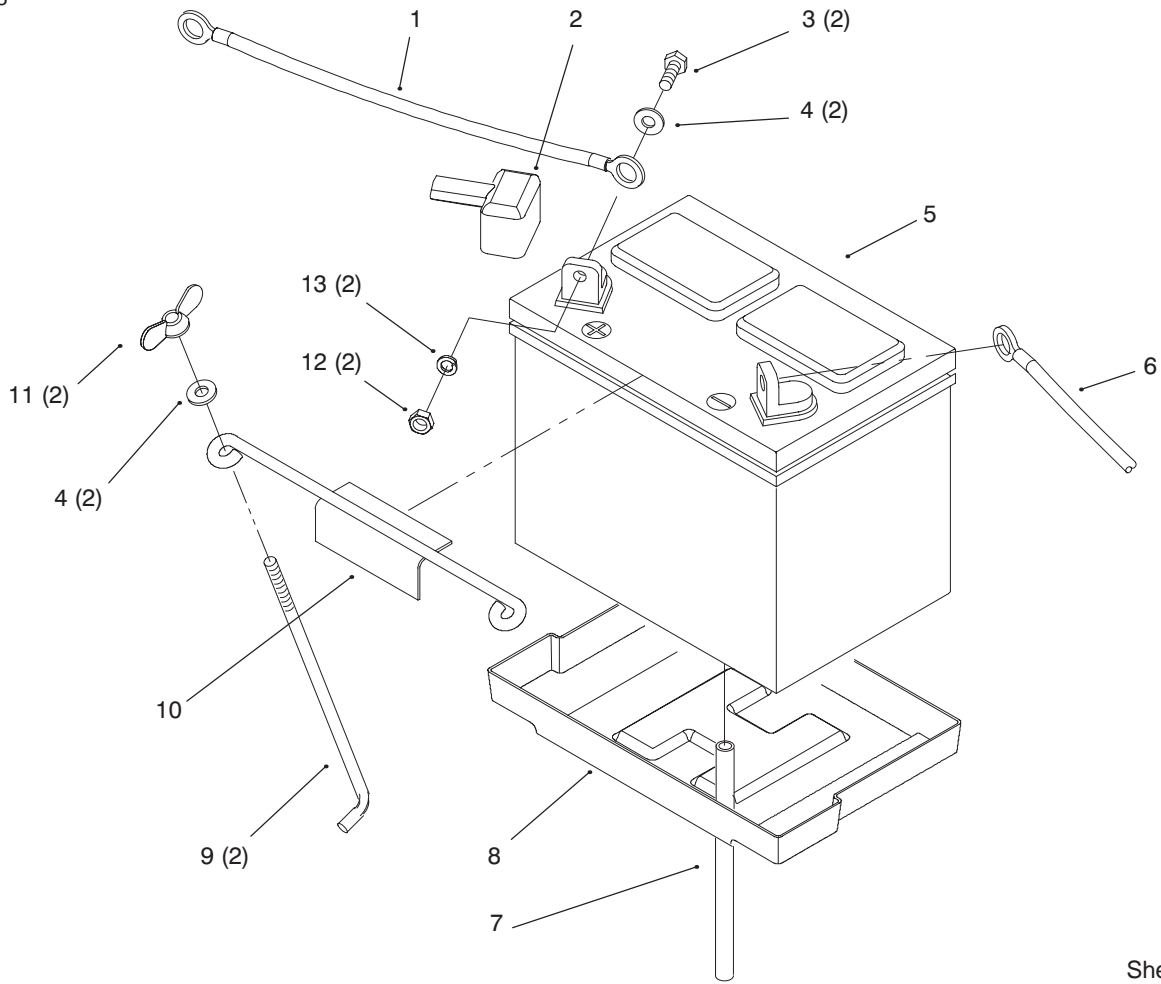
## Hitches

Ref. No.	Part No.	Qty.	Description
1	323-44	6	Screw-HH
2	102870	1	Bracket-PTO Support
3	102644	2	Plate-Hitch
4	3296-39	6	Nut-Lock
5	105269	1	Pin-Drawbar Hitch
6	9791204	2	Spacer
7	1644	1	ASM-Drawbar Hitch
8	106634	1	Pin-Tool
9	3256-26	1	Washer-Flat
10	9335054	1	Hairpin
11	5618	2	Ring-Retaining
12	9038	1	Grip
14	105316	2	Cap-Rod
15	101017	1	Lock-Hitch
16	83-6520	1	Rod-Lock
17	117930	1	ASM-Latch
18	105797	8	Ring-Ext Ret
19	101750	1	Rod-Latch Pivot
20	8616	2	Spring
22	93-1613	1	Latch
23	101707	1	Lock-Attachment
24	3296-39	3	Nut-Lock
25	101711	1	Plate-Front Hitch
26	3231-25	3	Screw-CARR
27	101751	1	Rod-Lock

Ref. No.	Part No.	Qty.	Description
28	8830	1	Retainer-"j"
29	94-6330	2	Decal-Attach A Matic

**Part Identified in illustration but not in part list are mot used on this model**

3318-518

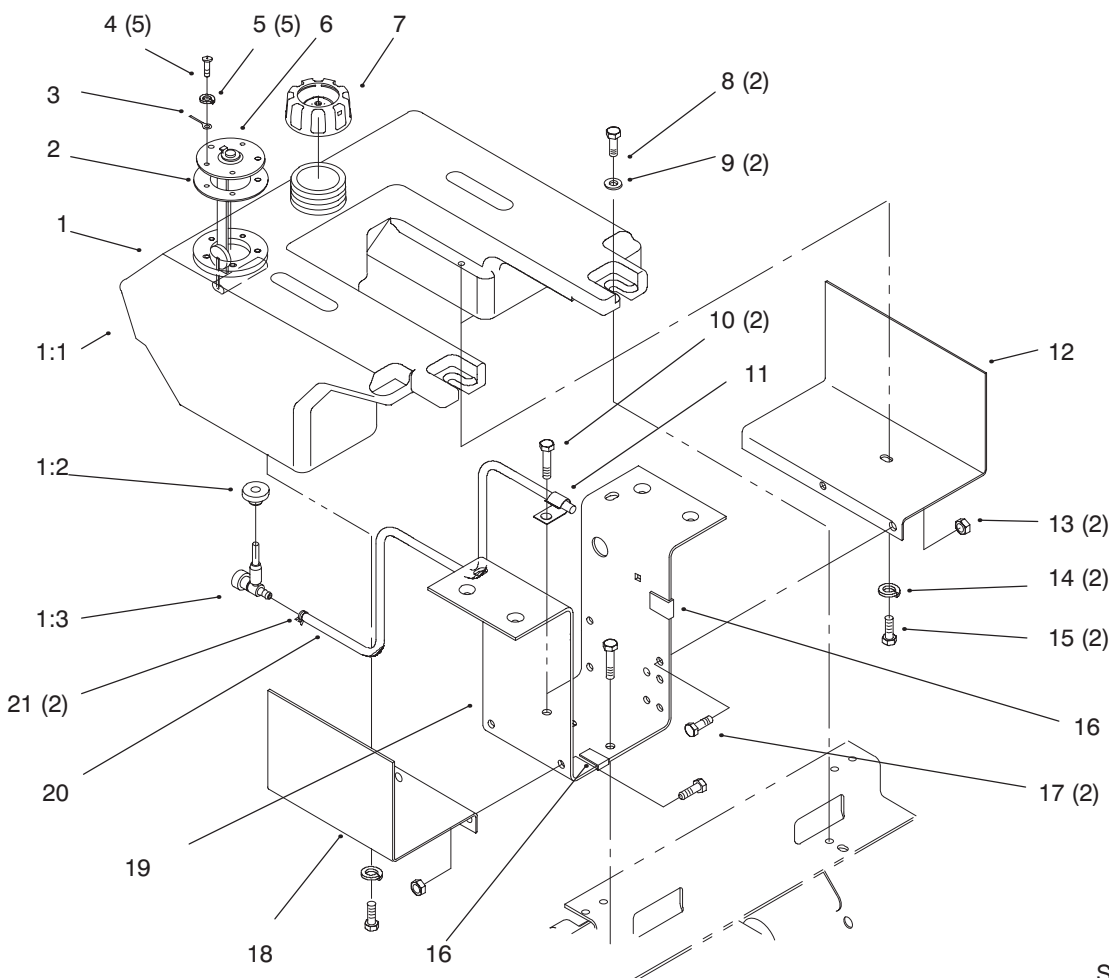


Sheet No.: 31

**Battery**

Ref. No.	Part No.	Qty.	Description
1	111074	1	Cable-Battery
2	109553	1	Boot-Battery Cable
3	321-4	2	Screw-HH
4	3256-22	4	Washer-Flat
5	104962	1	Battery
6	111069	1	Wire ASM
7	114720	1	Tube-Battery Drain
8	106948	1	Tray-Battery
9	113969	2	Hook-Battery Retainer
10	113010	1	ASM-Battery Hold Down
11	32103-22	2	Nut-Wing
12	3296-42	2	Nut-Lock
13	3253-3	2	Washer-Lock

Ref. No.	Part No.	Qty.	Description



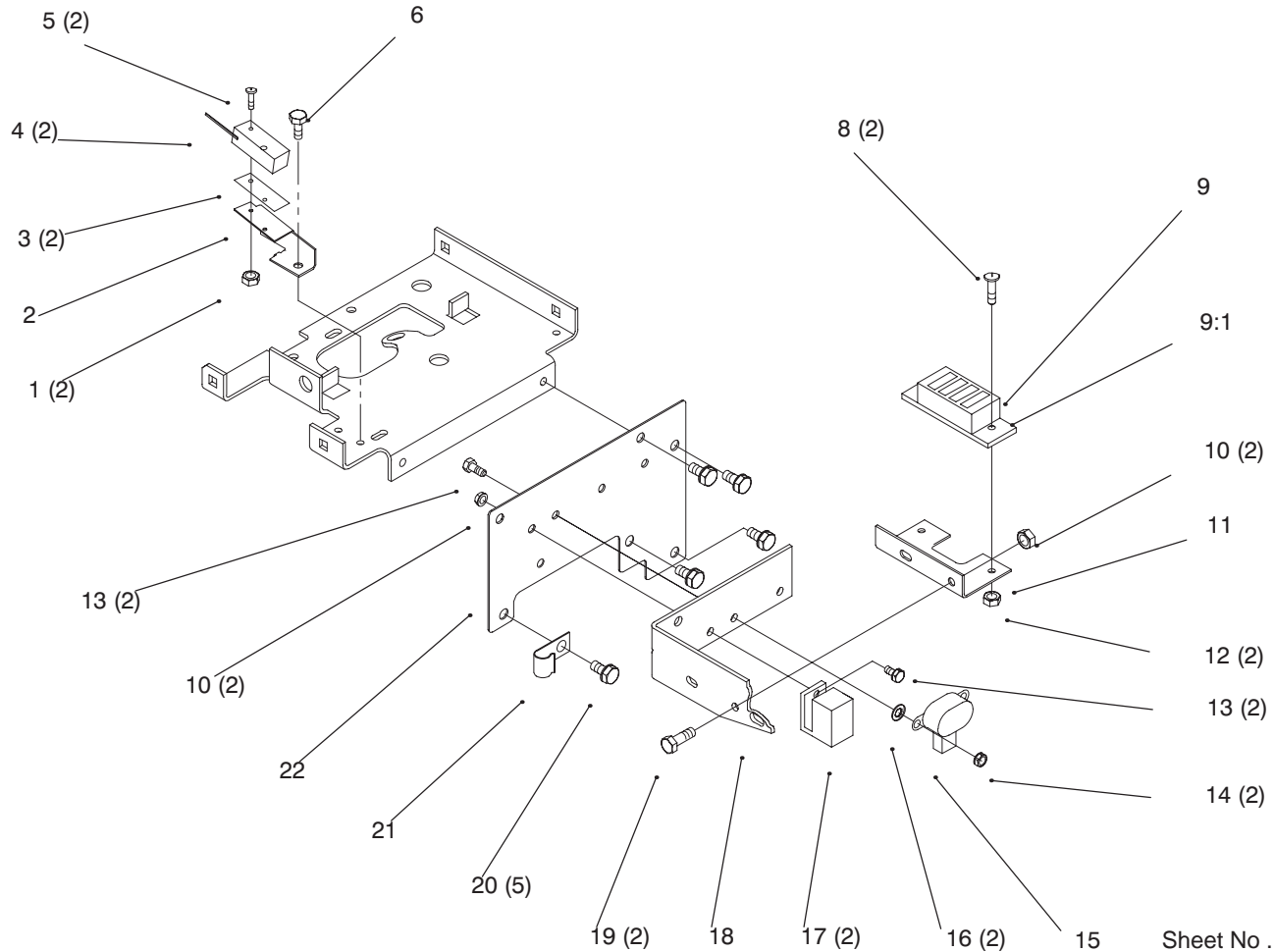
### Fuel Tank

Ref. No.	Part No.	Qty.	Description
1	106234	1	ASM-Fuel Tank
7	55-3570	1	ASM-Cap
8	9266974	2	Screw-HH
9	3256-4	2	Washer-Flat
10	3235-22	2	Screw-HH Lock
11	8830	1	Retainer-"j"
12	108464	1	Support-Fuel Tank L.h
13	3296-29	4	Nut-Lock
14	3253-4	2	Washer-Lock
15	322-2	2	Screw-HH
16	3023	1	Clip
17	322-3	4	Screw-HH
18	106236	1	Support-Fuel Tank R.h
19	79-4990	1	Bracket-Fender
20	92-9511	1	Line-Fuel 62"
21	2412-98	2	Clamp-Hose

Ref. No.	Part No.	Qty.	Description

Part Identified in illustration but not in part list are not used on this model

3318-518

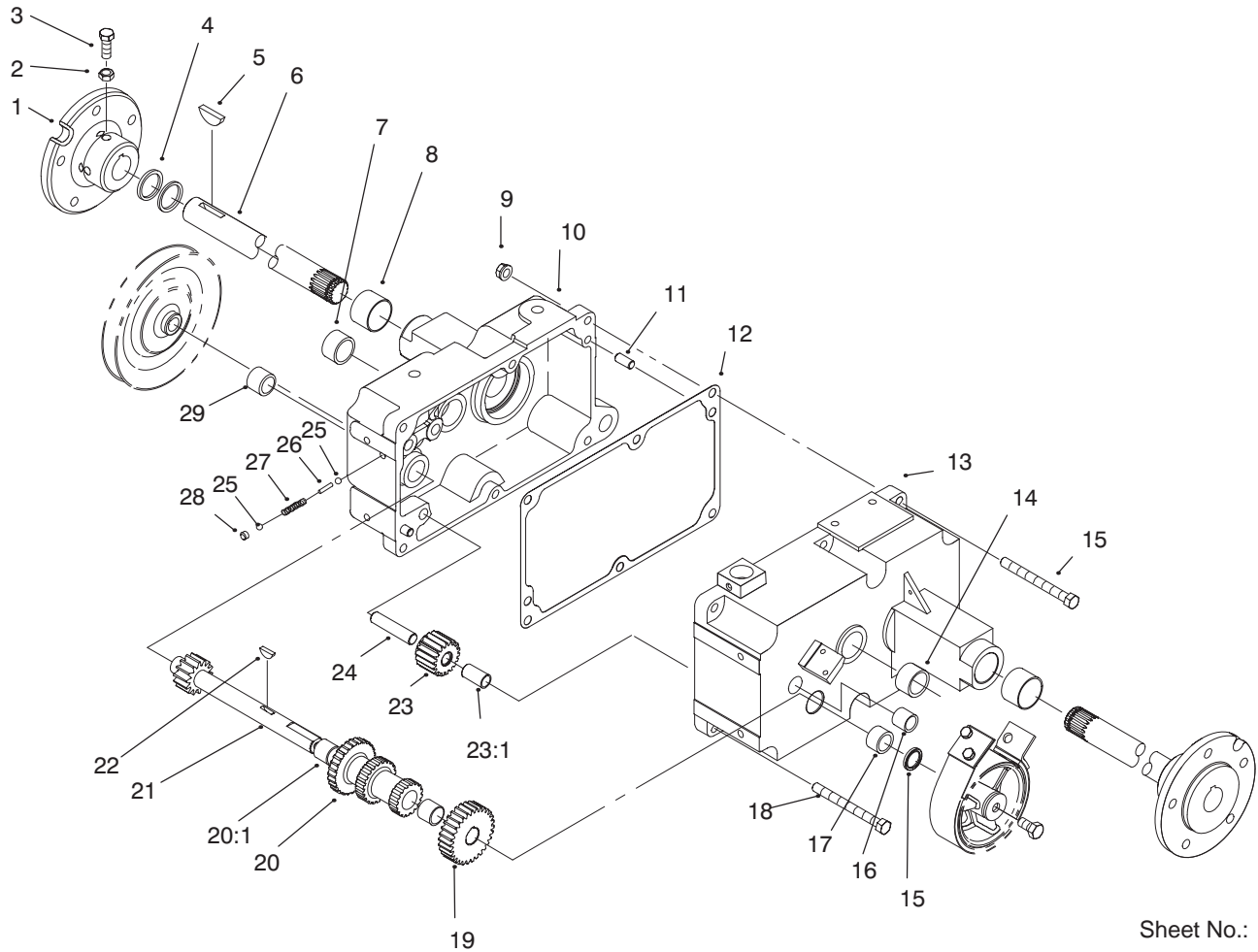


Sheet No. : 33

### Front Plate. Relays

Ref. No.	Part No.	Qty.	Description
1	9157324	2	Nut-Lock
2	115411	1	Bracket-Switch
3	111642	2	Barrier-Switch
4	111332	2	Switch-Interlock
5	9104784	2	Screw
6	9266714	1	Screw-HWHTF
8	9107944	2	Screw-Phcr
9	79-3580	1	Wiring-Harness & Dia
9:1	120930	1	Fuse Holder
10	3296-42	4	Nut-Lock
11	117331	1	Bracket-Fuse Holder
12	9157404	2	Nut
13	9601524	4	Screw Whiz
14	3217-5	2	Nut-Hex
15	92-9845	1	Solenoid
16	3255-7	2	Washer-Lock
17	116397	2	Relay
18	109554	1	Bracket-Belt Guard
19	321-3	2	Screw-HH
20	9266944	5	Screw-HH
21	8830	1	Retainer-"j"
22	78-3020	1	Plate-Front
23	111069	1	Wire ASM

Ref. No.	Part No.	Qty.	Description

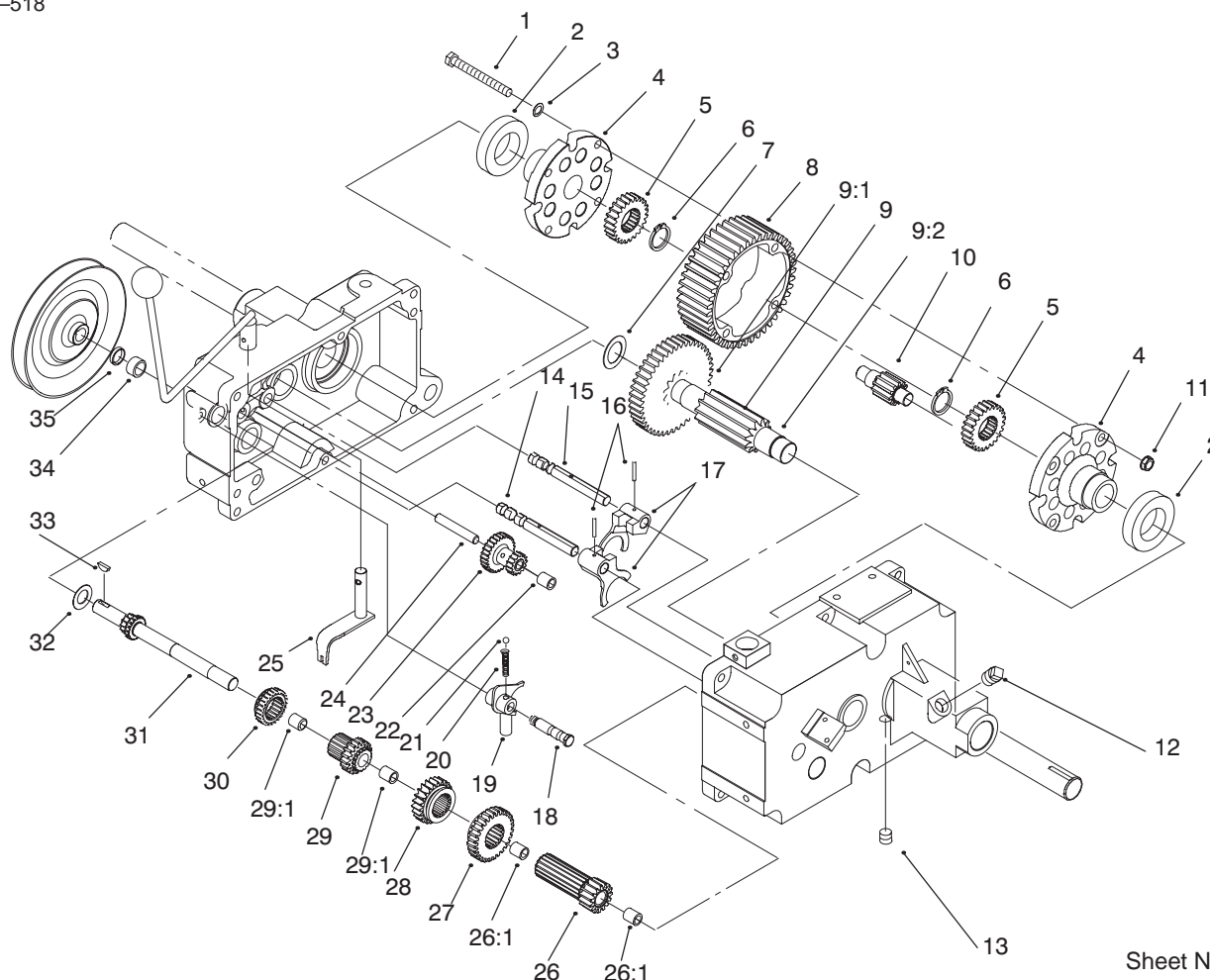


Sheet No.: 104

## Transmission 8-Speed 4 Pinion

Ref. No.	Part No.	Qty.	Description
1	105763	2	Hub-Wheel
2	3218-3	4	Nut-HJ
3	3243-5	4	Screw-Set
4	100443	4	Oil Seal
5	937108	2	Woodruff Key
6	105875	2	Axle-Rear
7	1532	2	Bearing-Needle
8	9416	2	Bearing
9	3296-39	6	Nut-Lock
10	111200	1	Case Trans RH
11	3915	2	Dowel Pin
12	3912	1	Gasket Transmission
13	111198	1	Case Trans LH
14	323-16	1	Screw-HH
15	100441	1	Seal-Oil
16	83-2890	1	Bearing-Needle
17	1523	1	Needle Brg
18	323-11	5	Screw
19	3527	1	Gear Cluster Shaft
20	7269	1	ASM Cluster Gear
20:1	1504	2	Bushing Bronze
21	83-3530	1	Shaft-Cluster
23	4204	1	ASM-Reverse Idler Gear
24	3909	1	Differential Pin
26	5614	1	Shift Pin

Ref. No.	Part No.	Qty.	Description
28	1243	1	Plug Cup
29	1529	1	Bearing-Needle
58	7418	1	Washer



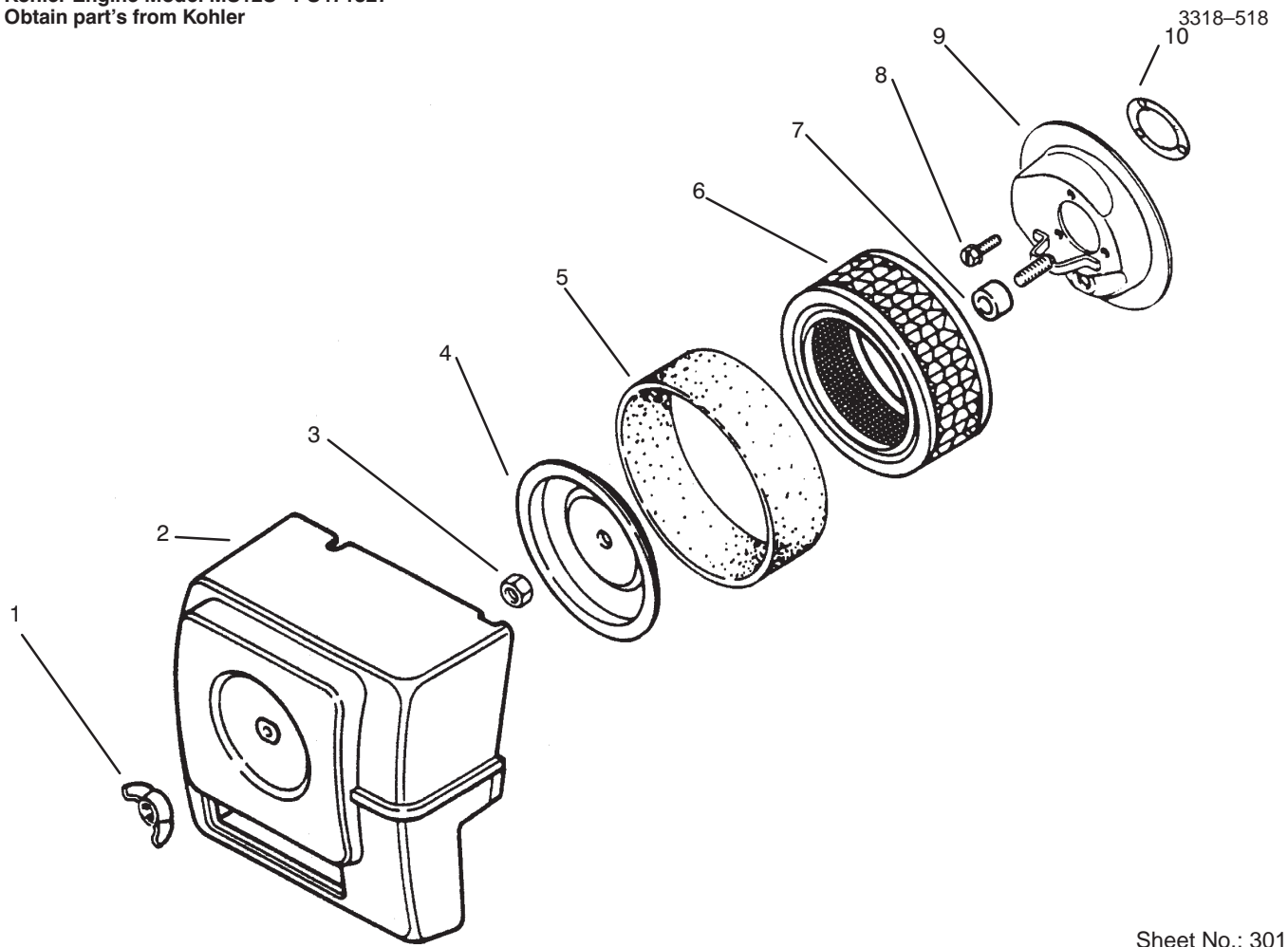
Sheet No.: 105

## Transmission 8-Speed 4 Pinion (Continued)

Ref. No.	Part No.	Qty.	Description
1	911423	4	Bolt-Hex
2	111199	2	Bearing Ball
3	107374	4	Washer
4	111196	2	End Cap-Differential
5	101889	2	Axle Diff Gear
6	105876	2	Snap Ring
7	9547	1	Washer-Thrust
8	105061	1	Gear Diff Bull 43t
9	102974	1	Assy-Gear (Press)
9:1	101626	1	Gear-44t
9:2	101625	1	Pinion Shaft
10	101623	4	Pinion Gear 11t
11	108881	4	Nut-Hex
12	281-2	1	Plug-Pipe
13	281-10	1	Plug-Pipe
14	5615	1	Shift Rail
15	5616	1	Shift Rail Rear
16	933156	2	Pin-Spirol
17	3503	2	Shift Fork
18	7213	1	Bolt Detent
19	116636	1	ASM Shift Fork
19:	7209	1	Fork ASM Shift
20	106030	2	Spring-Shift Stop
21	3517	3	Ball-Detent
22	7207	2	Needle Bearing
23	7206	1	Reduction Gear

Ref. No.	Part No.	Qty.	Description
24	7208	1	Shaft Reduction Gear
25	7214	1	ASM Shift Lever
25:1	7215	1	Shift Lever
25:2	7216	1	Shaft Shift Lever
26	111099	1	Gear
26	5175	1	ASM Gear
26:1	1518	2	Needle Brg
27	5174	1	Gear-Low And Reverse
28	5173	1	Gear-Hi And 2nd
29	111096	1	Gear
29	7204	1	ASM Gear
29:1	1518	2	Needle Brg
30	7205	1	Sliding Gear
31	7201	1	Input Shaft
33	937089	1	Key-Woodruff
34	1542	1	Needle Brg
35	100442	1	Oil Seal





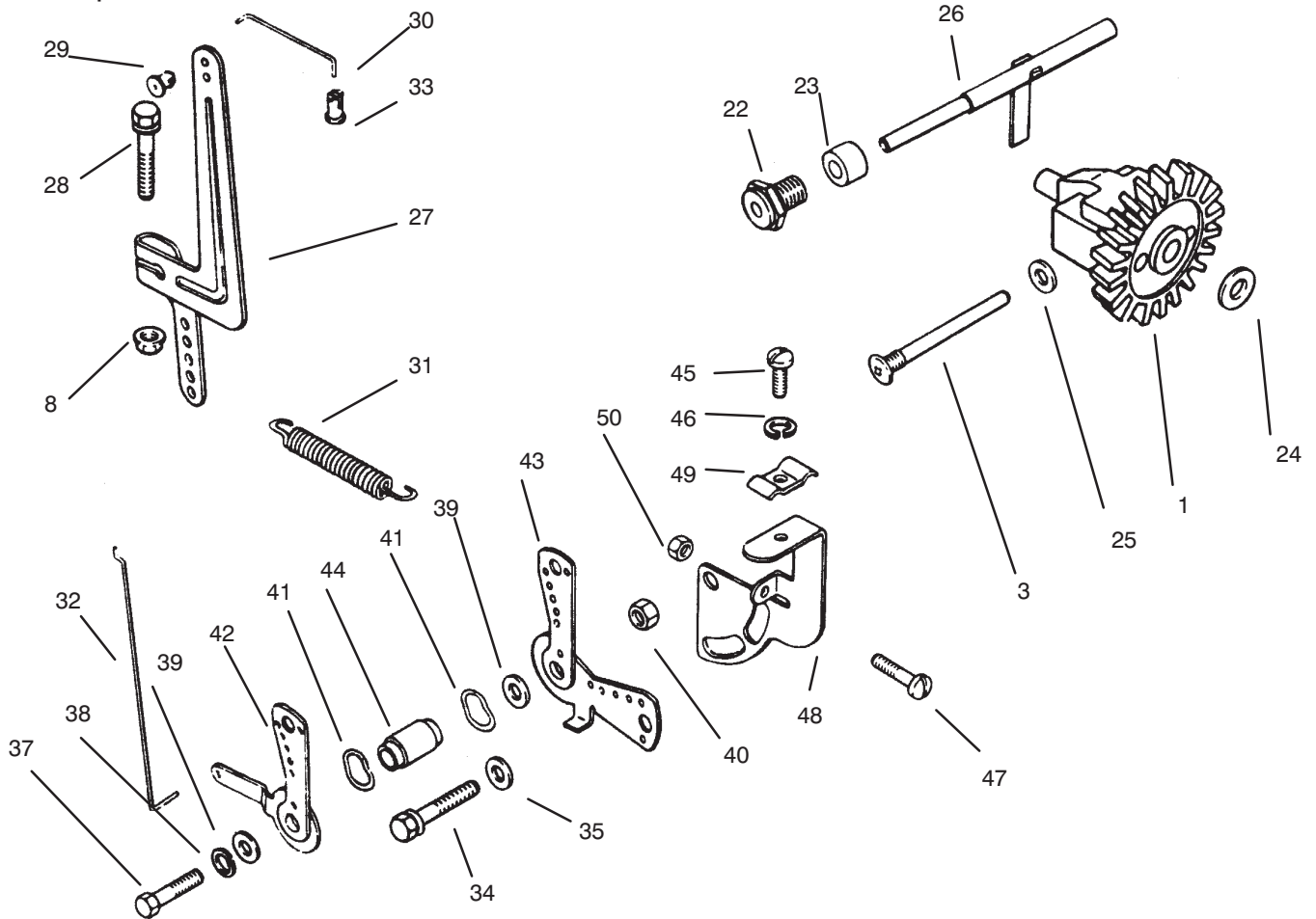
Sheet No.: 301

## Air Cleaner

Ref. No.	Part No.	Qty.	Description
1	X-276-7	1	Nut-Wing
2	47-096-10	1	Cover
3	41-100-04	1	Nut
4	52-082-04	1	Cover-Air Clean Element
5	45-083-01	1	Element-Precleaner
6	45-083-02	1	Element
7	231032	1	Seal
8	X-67-65	3	Screw
9	47-094-20	1	Base-Air Cleaner
10	45-041-07	1	Gasket
	41-113-02	1	Decal-Air Cleaner

Ref. No.	Part No.	Qty.	Description





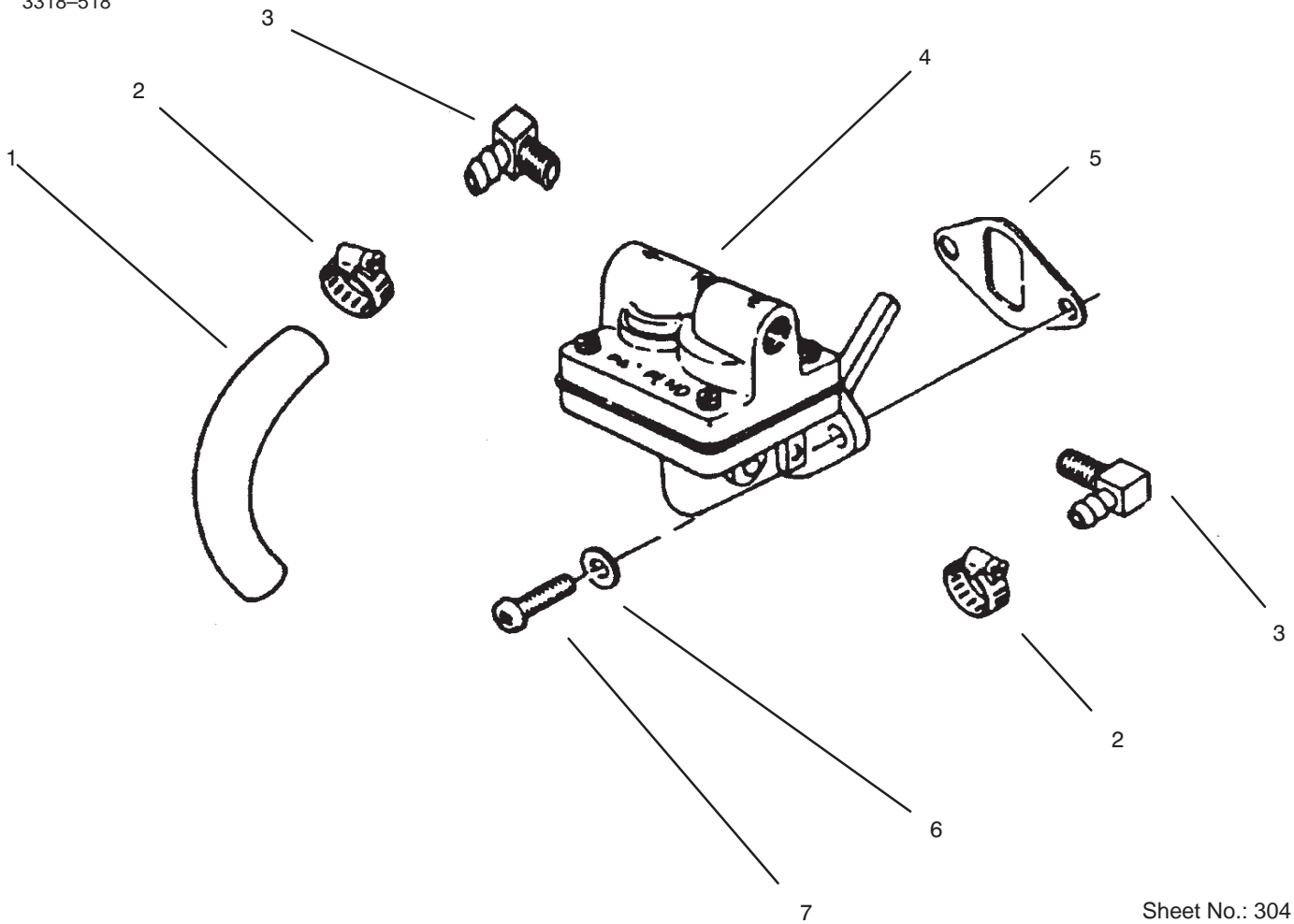
Sheet No.: 303

## Governor Linkage

Ref. No.	Part No.	Qty.	Description
1	A-235743-5	1	Kit-Governor Gear INCL 24
3	231355	1	Pin-Governor Stop
8	X-799-1	1	Nut-Pal
22	235476	1	Bushing
23	X-400-80	1	Spacer
24	237022	1	Washer
25	25-468-01	1	Washer
26	A-235256-5	1	Kit-Governor Cross Shaft
26	A-235256-S	1	Kit-Governor Cross Shaft
27	47-090-20	1	Lever-Governor
28	X-776-1	1	Screw
29	47-158-07	1	Bushing
30	47-079-10	1	Linkage
31	47-091-01	1	Spring
32	47-079-01	1	Linkage-Choke
33	25-158-09	1	Bushing
33	25-158-11	1	Bushing
34	X-132-6	1	Screw
35	X-25-72	1	Washer
37	X-5-26	1	Screw
38	X-20-1	1	Washer-Lock
39	X-25-63	1	Washer-Flat
40	X-76-2	1	Nut

Ref. No.	Part No.	Qty.	Description
41	275690	2	Washer
42	47-090-07	1	Lever-Choke Control
43	47-090-08	1	Lever-Throttle Control
44	47-112-02	1	Spacer
45	X-67-51	1	Screw
46	25-468-04	1	Washer
47	232556	1	Screw
48	47-126-09	1	Bracket-Clutch Control
49	47-237-02	1	Clamp
50	X-72-4	1	Nut
	47-087-03	1	Choke Lever ASM INCL 37-44

3318-518

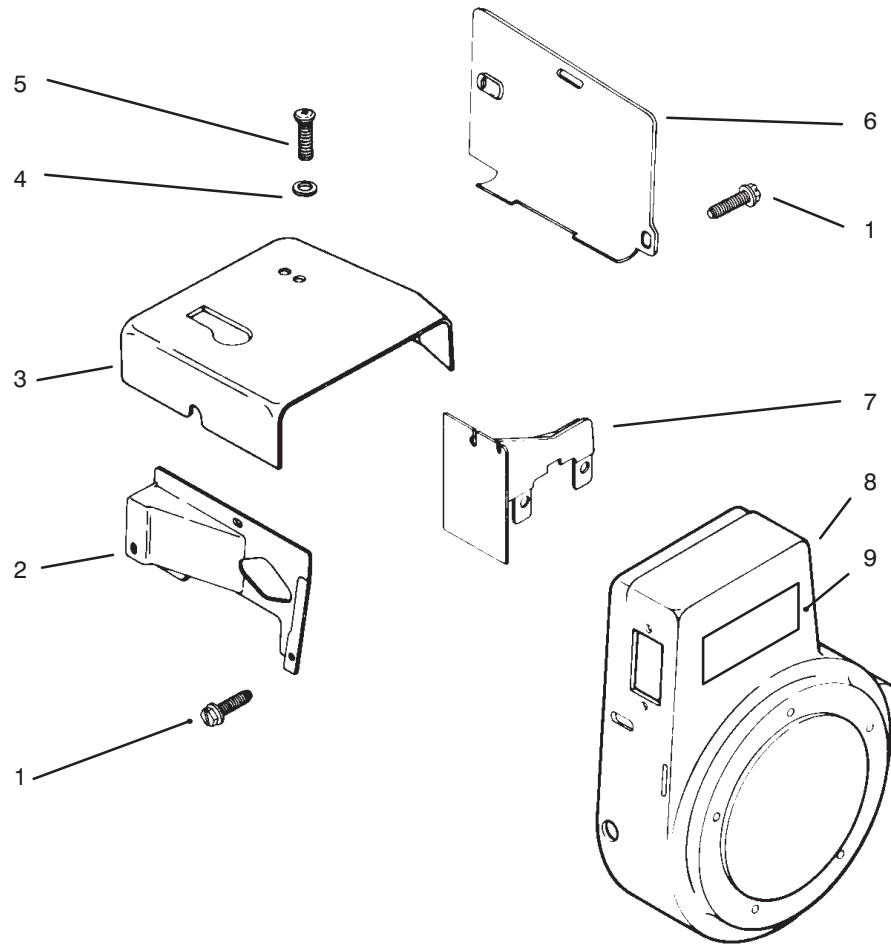


Sheet No.: 304

## Fuel Pump

Ref. No.	Part No.	Qty.	Description
1	25-353-01	1	Line-Fuel
2	X-426-9	2	Clamp-Hose
3	25-155-02	2	Connector-90 DEG
4	47-559-08	1	Pump ASM-Fuel INCL 5 & 7
5	25-041-05	1	Gasket
6	X-25-63	2	Washer-Flat
7	X-174-2	2	Screw-Pozidrive

Ref. No.	Part No.	Qty.	Description



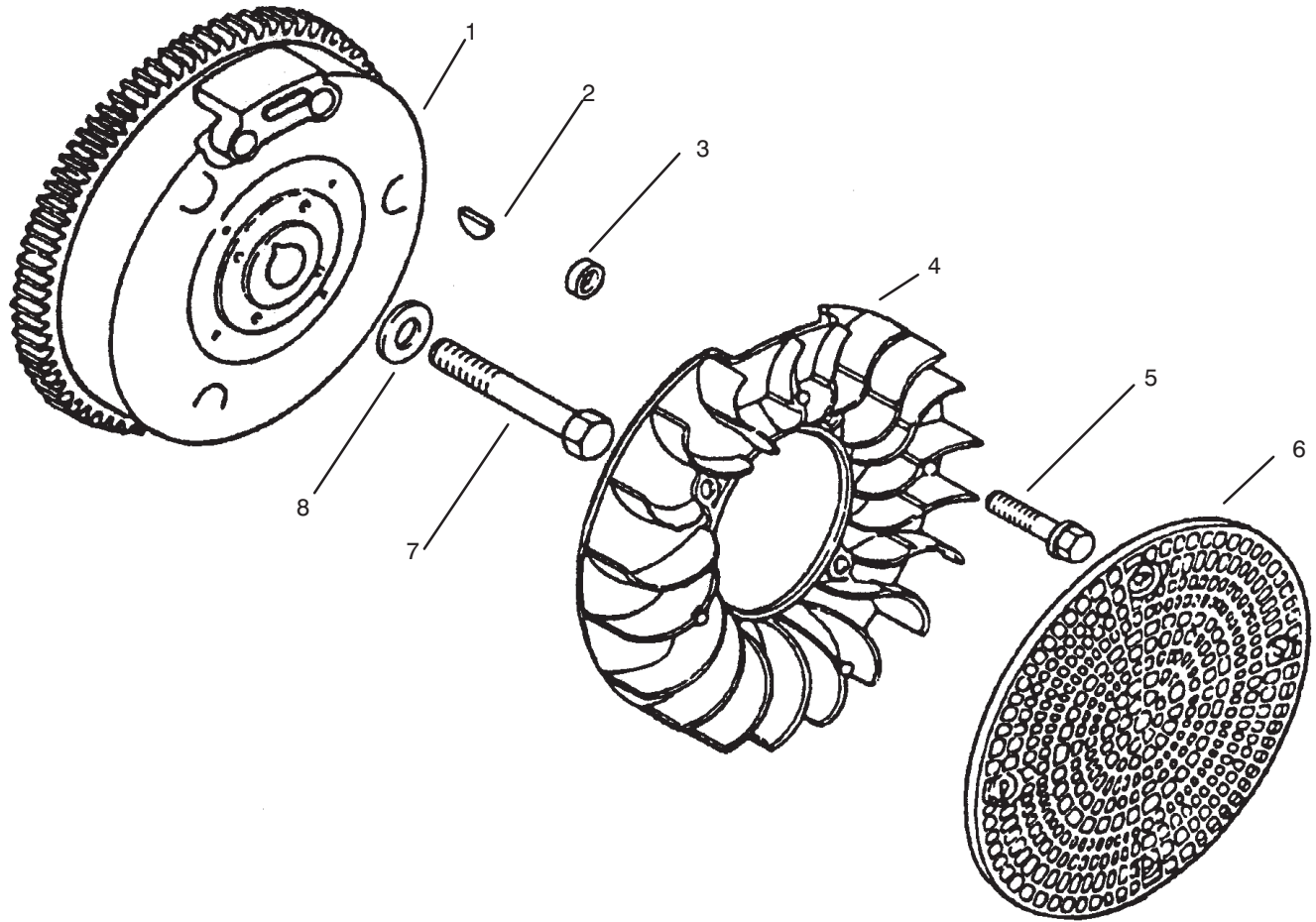
Sheet No. : 305

## Baffles And Shrouds

Ref. No.	Part No.	Qty.	Description
1	52-086-11	6	Screw-Hex Hd
2	47-086-06	1	Baffle-Side Air
3	45-063-08	1	Baffle-Head
4	X-25-53	1	Washer
5	47-086-08	3	Screw-Pozidrive TH
6	47-063-10	1	Baffle-Cylinder
7	47-063-07	1	Baffle-Inner
8	47-027-42	1	Housing-Blower

Ref. No.	Part No.	Qty.	Description





Sheet No.: 307

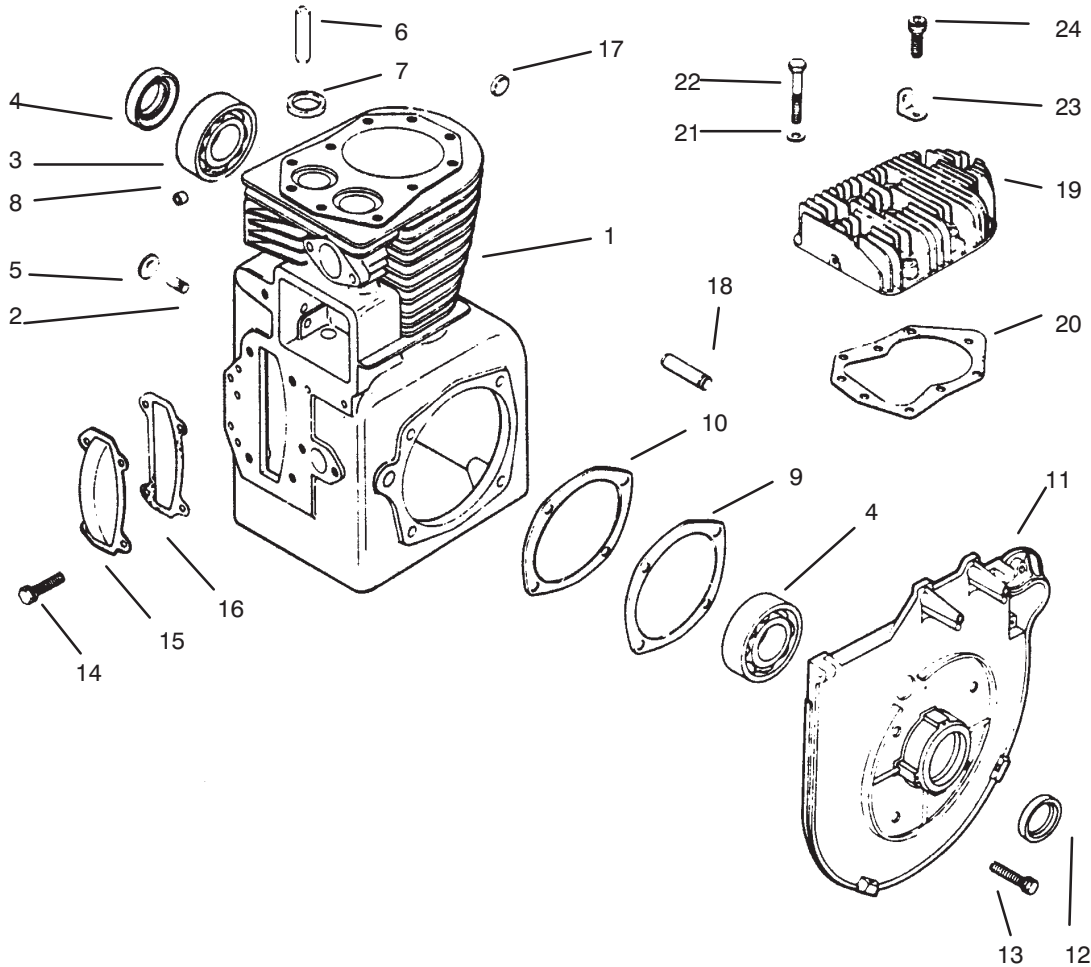
## Flywheel

Ref. No.	Part No.	Qty.	Description
1	47-025-53	1	Flywheel
2	X-46-3	1	Key-Woodruff
3	41-100-01	1	Spacer
4	25-157-01	1	Fan
5	25-086-21	4	Screw-Hex Hd
6	24-162-01	1	Screen
7	25-086-24	1	Screw
8	52-468-15	1	Washer

Ref. No.	Part No.	Qty.	Description





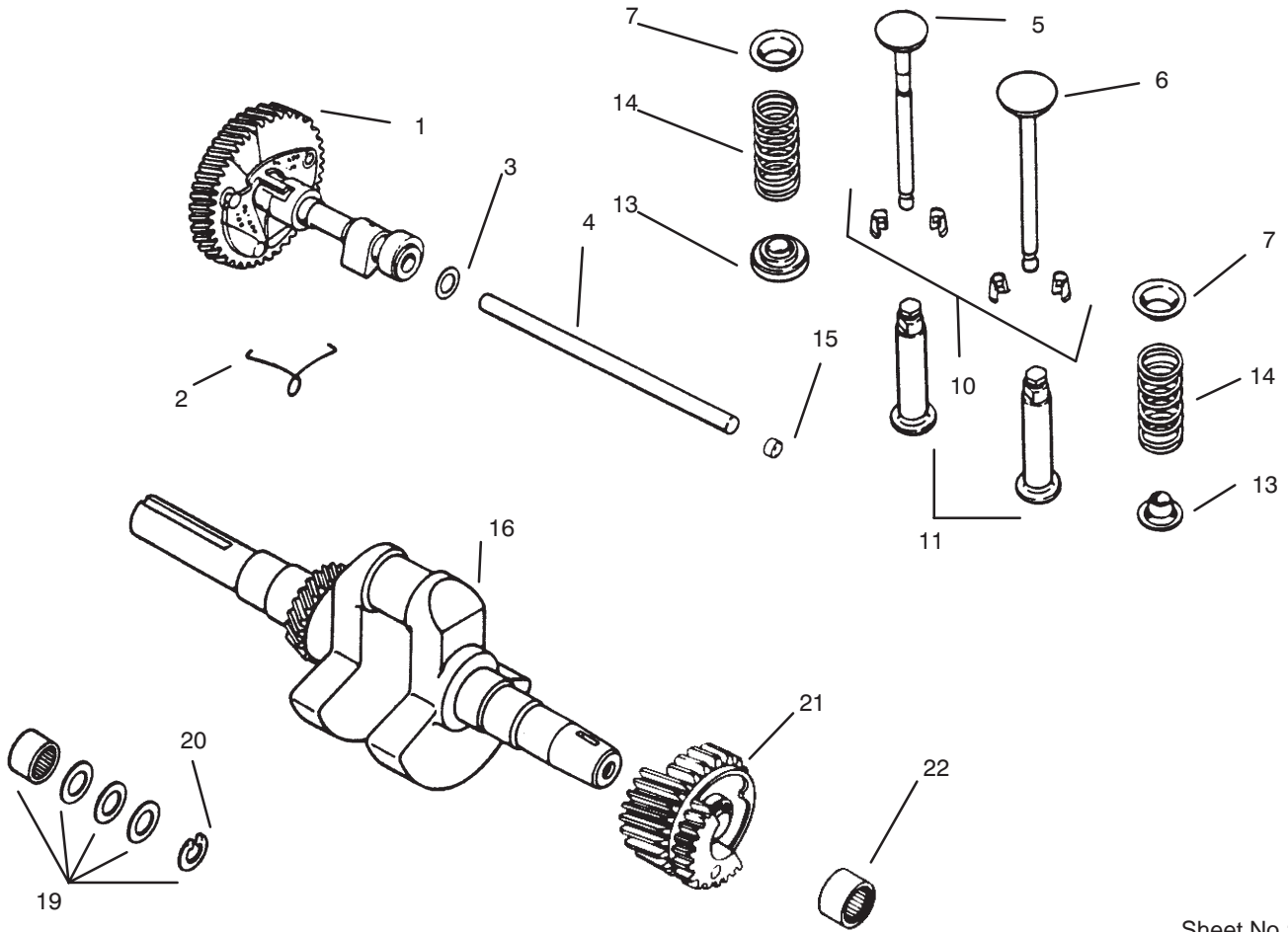


Sheet No.: 309

## Crankcase And Cylinder Head

Ref. No.	Part No.	Qty.	Description
1	47-782-80	1	Miniblock W/Out Crank
1	77-522-35	1	Block-Cylinder 12hp
1	77-522-35	1	Block-Cylinder 12hp
2	235125-5	1	Shaft-Governor Gear 12hp
3	235376	2	Ball Bearing
4	47-032-07	1	Seal
5	X-230-11	1	Plug
6	230007-5	2	Guide-Valve 12hp
7	230170	1	Insert-Ex Valve 12hp
8	234866	1	Bearing
9	47-041-09	1	Gasket
10	47-522-05	1	Gasket
11	47-146-11	1	Plate-Bearing
12	47-032-06	1	Seal
13	X-159-2	4	Screw
14	X-132-6	4	Screw
15	235026	1	Cover
16	235025	1	Gasket
18	236559	1	Shaft-Balance Gear
19	47-015-06	1	Head-Cylinder
20	47-041-15	1	Gasket
21	270889	9	Washer
22	270158	8	Screw
23	47-455-02	1	Strap-Lifting
24	47-086-17	1	Screw

Ref. No.	Part No.	Qty.	Description
	47-004-02	1	Set-Gasket W/Seals
	47-755-27	1	Set-Gasket W/Seals

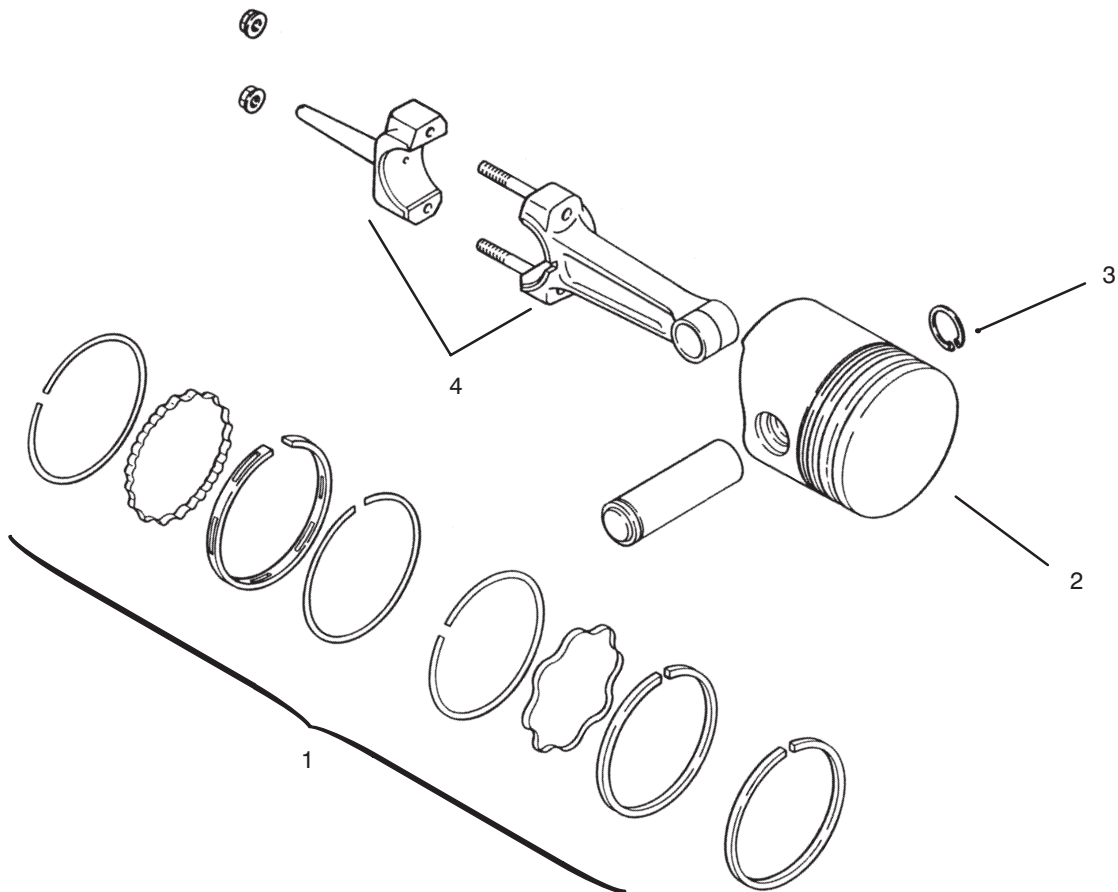


Sheet No.: 310

### Camshaft, Crankshaft And Valves

Ref. No.	Part No.	Qty.	Description
1	47-010-11	1	Camshaft ASM INCL 2
2	47-089-01	1	Spring
3	275066	1	Spacer
4	47-380-09	1	Pin-Camshaft
5	235838	1	Valve-Exhaust
6	235008	1	Valve-Intake
7	235011	2	Retainer-Spring
8	235010	1	Spring
10	41-755-10	2	Kit-Retainer
12	D-235327	2	Tappet-Valve
13	230011	1	Retainer-Spring 12hp
14	235168	1	Spring
14	52-413-01	1	Rotator-Valve
15	X-702-3	1	Plug-Cup
16	47-142-02	1	Kit-Crankshaft
19	47-755-01	2	Kit-Spacer
20	X-269-34	1	Retainer
	275067	1	Spacer

Ref. No.	Part No.	Qty.	Description

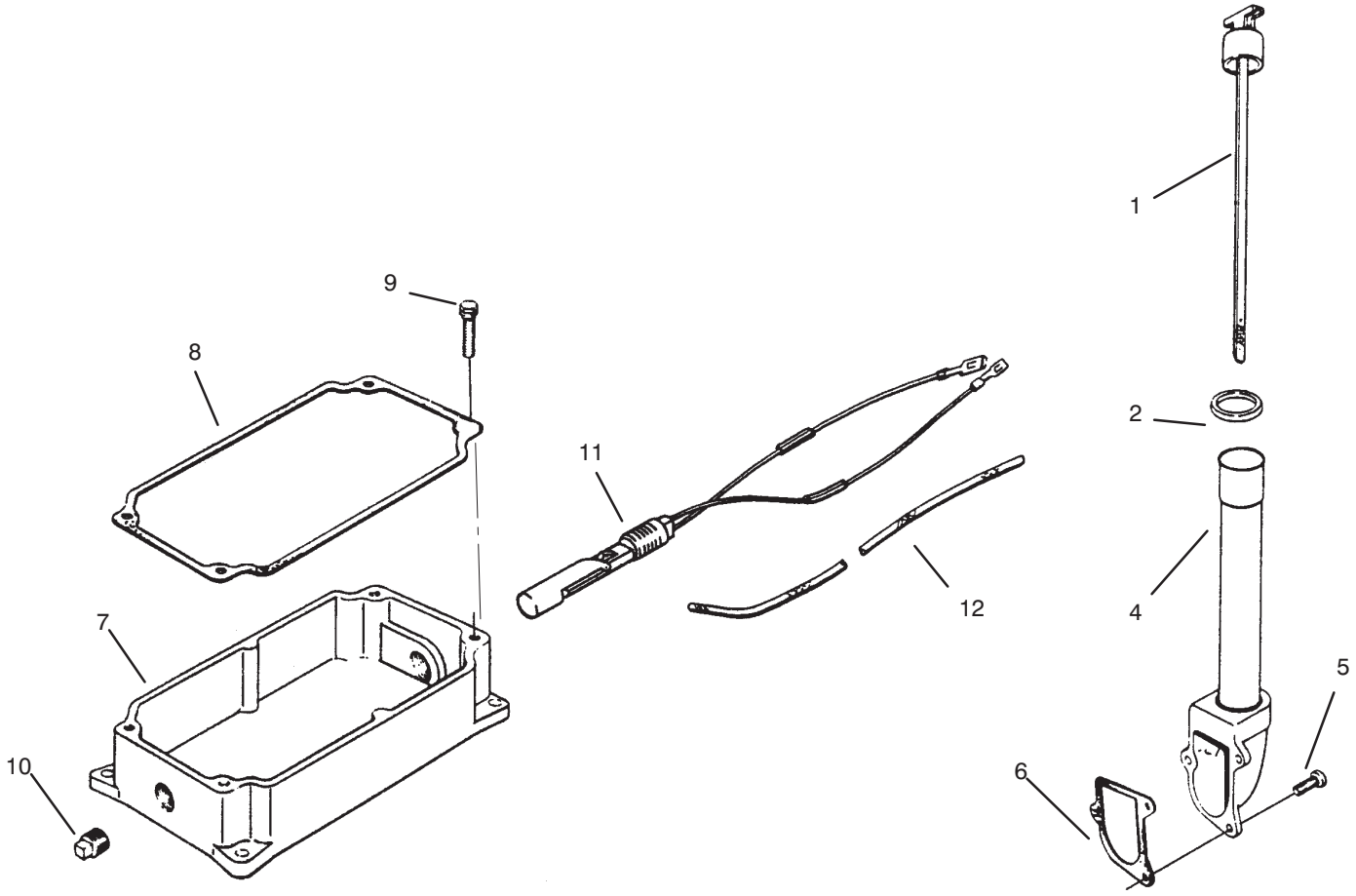


Sheet No.: 311

## Piston And Rings

Ref. No.	Part No.	Qty.	Description
1	47-108-01	1	Set-Ring STD .003 12hp
1	47-108-02	1	Set-Ring .010
1	47-108-03	1	Set-Ring .020
1	47-874-20	1	Piston-Ring Set .030
2	47-874-14	1	Piston-Ring Set .003
2	47-874-16	1	Piston-Ring Set STD 12hp
2	47-874-18	1	Piston-Ring Set .010
2	47-874-19	1	Piston-Ring Set .020
3	47-018-01	2	Retainer-Piston Pin
4	45-067-24	1	Rod-Connecting STD 12hp
	25-468-04	1	Washer

Ref. No.	Part No.	Qty.	Description

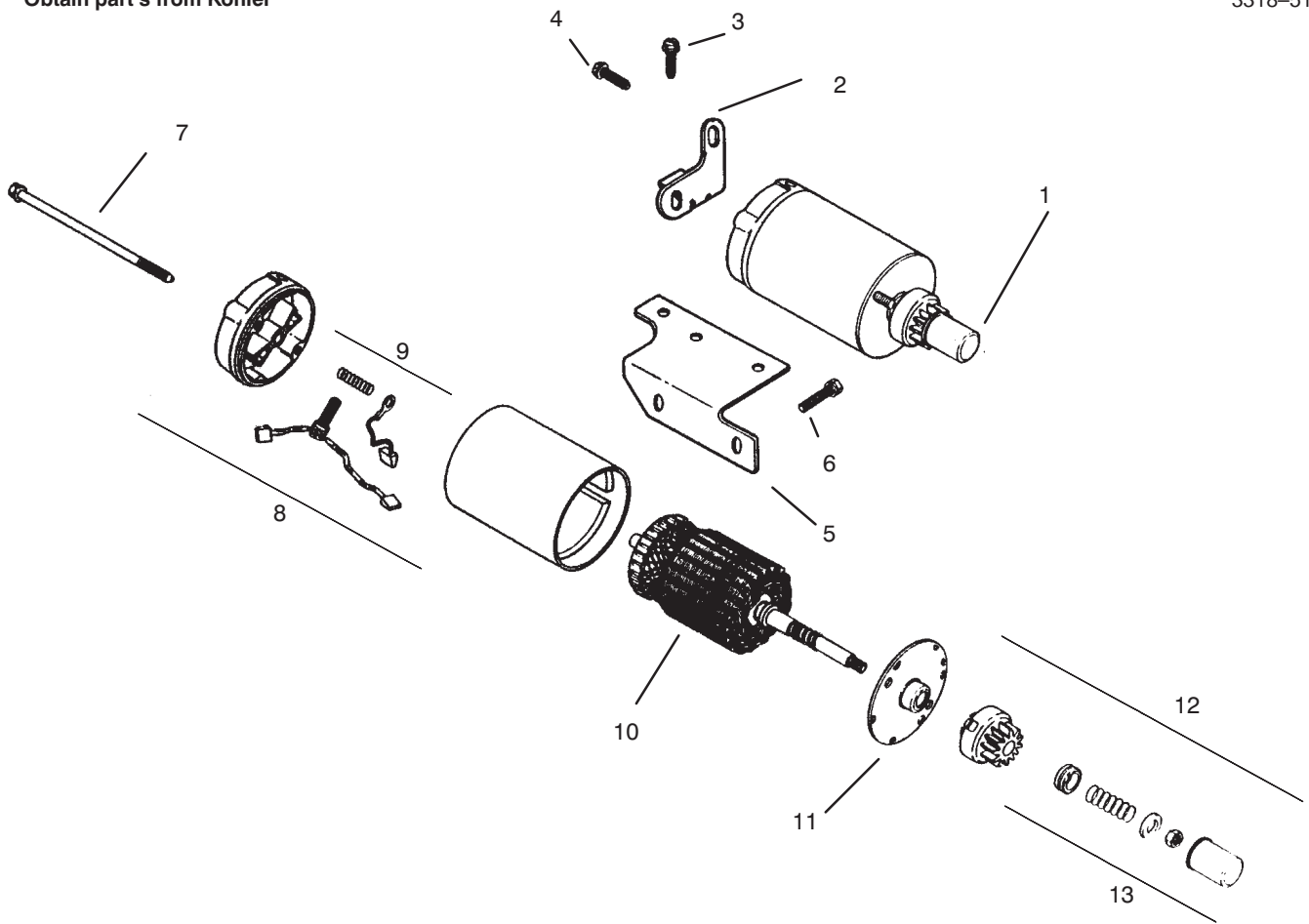


Sheet No.: 312

### Oil Pan And Dipstick

Ref. No.	Part No.	Qty.	Description
1	47-038-27	1	Dipstick
2	41-153-01	1	O-Ring
4	47-029-06	1	Adapter-Oil Fill
5	X-131-2	3	Screw
6	237064	1	Gasket
7	45-199-05	1	Pan-Oil
8	235057	1	Gasket
9	X-159-3	4	Screw
10	X-75-10	4	Plug-SH 3/8 NPTF
11	47-099-04	1	Kit-Float Switch 12hp
12	25-431-02	1	Sleeve
	25-113-05	1	Decal-Float Switch
	48-155-01	1	Connector

Ref. No.	Part No.	Qty.	Description

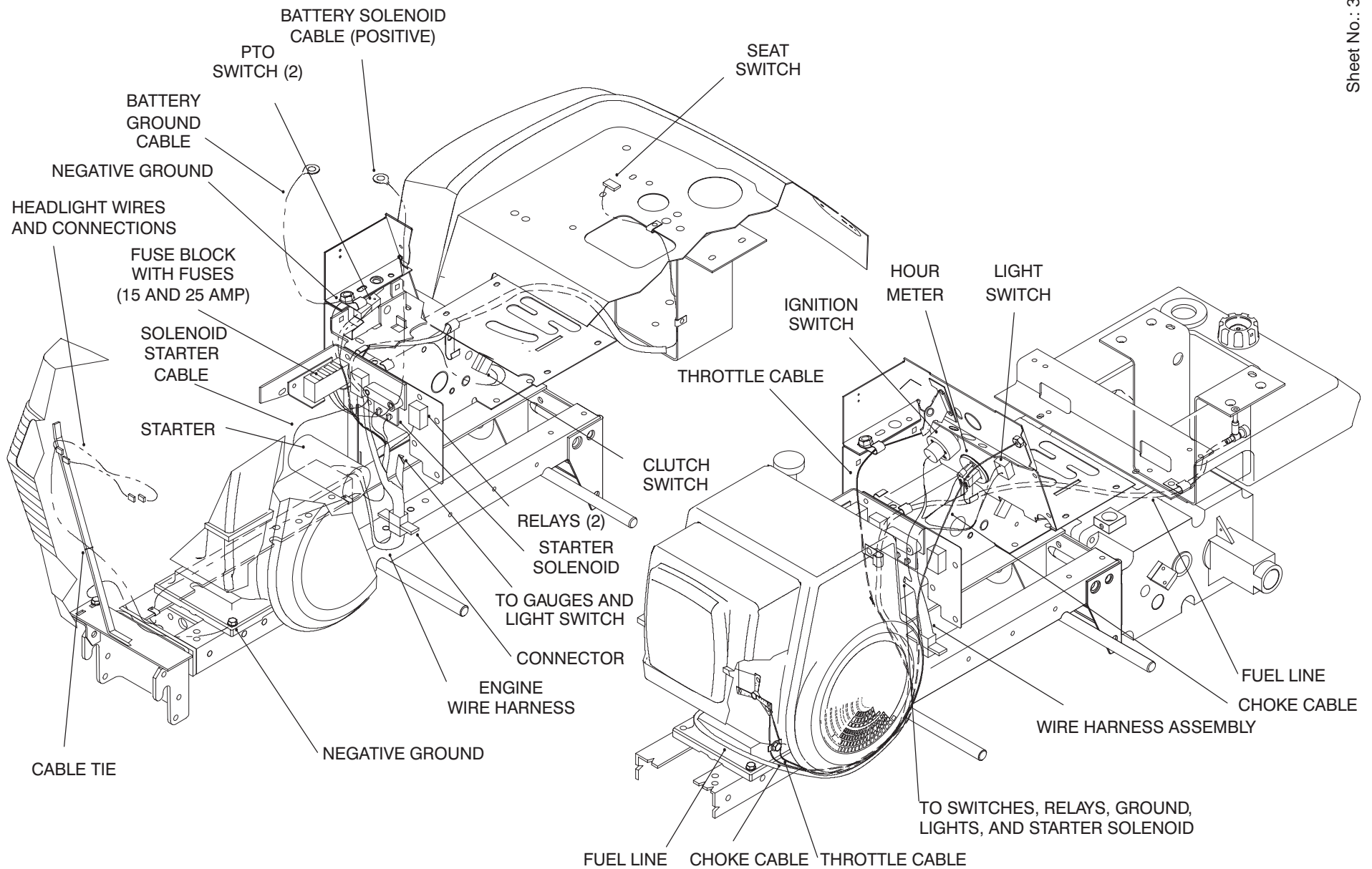


Sheet No.: 313

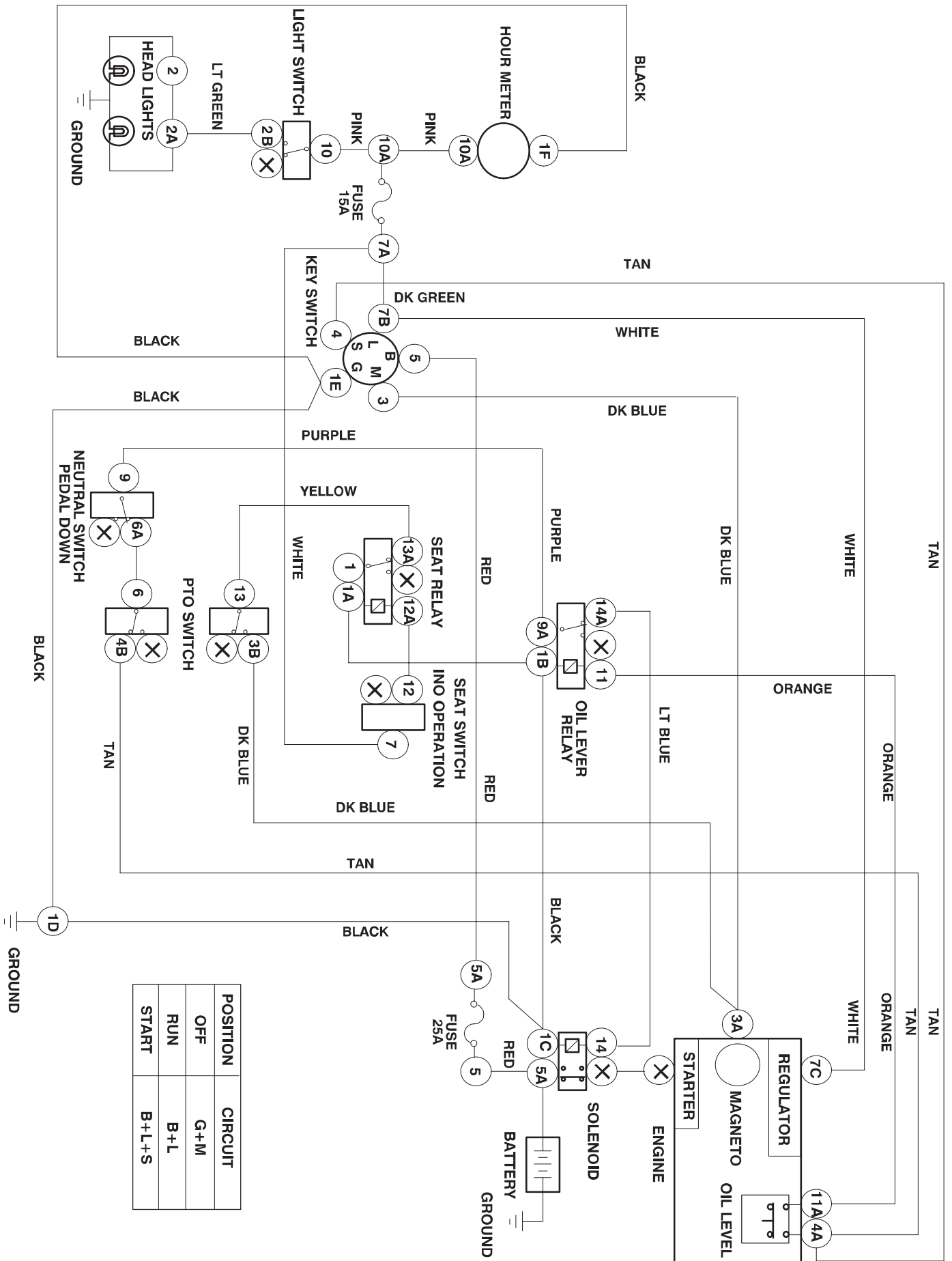
## Starter

Ref. No.	Part No.	Qty.	Description
1	41-098-04	1	Starter ASM INCL 9-15
2	45-126-17	1	Brace-Starter Tail
3	X-67-62	1	Screw-Hex Hd
4	X-67-83	1	Screw
5	47-126-29	1	Bracket-Solenoid
6	X-159-2	2	Screw
7	41-086-19	2	Bolt
8	41-227-04	1	End Cap ASM-INCL 9
9	52-755-15	1	Kit-Brush
10	47-170-02	1	Armature
11	41-227-03	1	Cap-Drive End
12	47-755-07	1	Kit-Drive INCL 13
13	7-755-13	1	Kit-Drive Parts
	47-126-29	1	Bracket-Solenoid
	X-159-2	1	Screw

Ref. No.	Part No.	Qty.	Description



**312-8 WIRE HARNESS, CABLE, AND TUBE ROUTING  
SINGLE CYLINDER**



# Toro Part Number Index

Part No.	Page No.	Ref. No.	Qty.	Description
1121	6	9	1	Key
1239	13	17	1	Set Screw
1243	19	28	1	Plug Cup
1278	2	9	3	Washer—Shim
1278	7	27	1	Washer—Shim
1278	14	14	4	Washer—Shim
1481	2	7	2	Fitting—Grease 45 DEG
1504	19	20:1	2	Bushing Bronze
1518	20	26:1	2	Needle Bearing
1518	20	29:1	2	Needle Bearing
1523	19	17	1	Needle Bearing
1529	19	29	1	Bearing—Needle
1532	19	7	2	Bearing—Needle
1542	20	34	1	Needle Bearing
1644	15	7	1	ASM—Drawbar Hitch
2844	13	12	1	Washer—Flat
3023	17	16	1	Clip
3503	20	17	2	Shift Fork
3517	20	21	3	Ball—Detent
3527	19	19	1	Gear Cluster Shaft
3577	13	21	1	Dust Cover
3624	6	12	1	Spring—Compression
3765	8	8	1	Washer—Shim
3765	11	8	1	Washer—Shim
3909	19	24	1	Differential Pin
3912	19	12	1	Gasket Transmission
3915	19	11	2	Dowel Pin
4204	19	23	1	ASM—Reverse Idler Gear
5173	20	28	1	Gear—Hi And 2nd
5174	20	27	1	Gear—Low And Reverse
5175	20	26	1	ASM Gear
5210	2	17	14	Washer—Shim
5210	14	15	2	Washer—Shim
5280	6	22	1	Knob—Height Control
5614	19	26	1	Shift Pin
5615	20	14	1	Shift Rail
5616	20	15	1	Shift Rail Rear
5618	2	30	1	Ring—Retaining
5618	15	11	2	Ring—Retaining
5638	2	27	1	Axle—Front
5666	11	4	1	Bushing—Nyliner
5979	1	17	2	Bushing—Nyliner
5983	11	6	1	Bushing
6216	2	26	1	Pin
6229	6	29	1	Bearing
6397	2	8	1	Bearing—Bronze
6472	2	1	1	Bearing—Flanged
6658	10	13	1	Race—Bearing
6659	10	12	2	Retainer
6662	10	16	1	Bearing—Needle
6663	10	15	1	Seal—Oil
6739	6	36	1	Trunnion
6820	7	8	1	Grip
6876	12	5	1	Spacer
7201	20	31	1	Input Shaft
7204	20	29	1	ASM Gear
7205	20	30	1	Sliding Gear
7206	20	23	1	Reduction Gear
7207	20	22	2	Needle Bearing
7208	20	24	1	Shaft Reduction Gear
7209	20	19:	1	Fork ASM Shift
7213	20	18	1	Bolt Detent

\*Not Illustrated



# Toro Part Number Index (cont.)

Part No.	Page No.	Ref. No.	Qty.	Description
7214	20	25	1	ASM Shift Lever
7215	20	25:1	1	Shift Lever
7216	20	25:2	1	Shaft Shift Lever
7269	19	20	1	ASM Cluster Gear
7418	19	58	1	Washer Thrust
7451	8	3	1	Pulley-V
7456	4	10	4	Clamp
7466	10	9	1	Pulley-Engine
7879	7	1	2	Bushing
7896	2	12	1	Washer-Bowed
7896	7	24	1	Washer-Bowed
8130	6	13	1	Retainer-Spring
8519	2	35	2	Clip-Wire
8616	15	20	2	Spring
8830	28	12	1	Retainer-"j"
8830	6	38	4	Retainer-"j"
8830	15	28	1	Retainer-"j"
8830	17	11	1	Retainer-"j"
8830	18	21	1	Retainer-"j"
9038	15	12	1	Grip
9416	19	8	2	Bearing
9547	20	7	1	Washer-Thrust
9593	13	10	1	Band-Brake
9598	13	9	1	Plate-Stop
100441	19	15	1	Seal-Oil
100442	20	35	1	Oil Seal
100443	19	4	4	Oil Seal
101017	15	15	1	Lock-Hitch
101161	7	19	1	Trunnion
101623	20	10	4	Pinion Gear 11t
101625	20	9:9	1	Pinion Shaft
101626	20	9:9	1	Gear-44t
101707	15	23	1	Lock-Attachment
101711	15	25	1	Plate-Front Hitch
101750	15	19	1	Rod-Latch Pivot
101751	15	27	1	Rod-Lock
101847	13	4	1	Dipstick
101850	1	15	1	Rod-Hood Stop
101889	20	5	2	Axle Diff Gear
102025	7	10	1	Spacer
102138	5	13	1	ASM-Switch
102644	15	3	2	Plate-Hitch
102703	13	5	1	Trans. Nipple
102809	7	7	1	Nut-Hex Lk
102870	15	2	1	Bracket-PTO Support
102872	10	2	1	Shaft-PTO
102881	1	3	2	Headlamp
102974	20	9	1	Assy-Gear (Press)
103125	11	7	1	Spring-Extension
103347	7	21	1	Rod-Clutch
103478	10	7	1	Housing-Clutch
103480	3	25	1	Switch-Interlock
103543	7	5	1	ASM-Brake Bellcrank
103628	7	6	1	Spring-Extension
104859	11	18	1	Spacer-Link
105061	20	8	1	Gear Diff Bull 43t
105260	19	82	0.02	Anti Rust Lubricant
105269	15	5	1	Pin-Drawbar Hitch
105316	6	10	2	Cap-Rod
105316	15	14	2	Cap-Rod
105453	10	10	1	Key-Sq
105503	9	5	2	Bushing

\*Not Illustrated

# Toro Part Number Index (cont.)

Part No.	Page No.	Ref. No.	Qty.	Description
105763	19	1	2	Hub-Wheel
105797	1	18	2	Ring-Ext Ret
105797	15	18	8	Ring-Ext Ret
105875	19	6	2	Axle-Rear
105876	20	6	2	Snap Ring
105896	7	20	1	Arm-Clutch Rod
105900	7	13	1	Rod-Brake Rear
106030	20	20	2	Spring-Shift Stop
106165	13	19	1	Pulley Trans.
106193	8	2	1	Screw-HH
106234	17	1	1	ASM-Fuel Tank
106236	17	18	1	Support-Fuel Tank R.H.
106250	3	27	1	Cover-Dust
106257	6	18	1	Rod-Latch
106258	6	23	1	Sleeve
106269	6	3	2	Bearing-Flange
106345	6	25	1	Casting-Lift Lever
106352	4	13	1	Guard-Lower Belt
106411	6	6	1	ASM-Lift Hgt Cont Bkt
106417	7	16	1	ASM-Rod
106451	7	9	1	ASM-Parking Brake
106522	6	35	1	Chain-Lift
106634	15	8	1	Pin-Tool
106695	10	20	1	Ring-Push On
106719	13	11	1	Drum-Brake
106858	12	11	1	Clamp-1 1/2
106948	16	8	1	Tray-Battery
107069	3	19	4	Nut-Speed
107069	4	5	6	Nut-Speed
107374	20	3	4	Washer
107677	7	12	1	Spring-Extension
107939	7	15	A/R	Belt-8 Sp Drive
107951	3	28	1	Bracket-Fender Front
108035	7	30	A/R	Spring-Clutch
108130	1	4	1	Wire-Ground
108457	4	14	1	Nut-Push On
108464	17	12	1	Support-Fuel Tank L.H.
108563	6	16	1	ASM-Lift Lever
108565	6	8	1	Shaft-Lift Lever
108758	13	3	1	Knob
108881	20	11	4	Nut-Hex
109114	14	13	2	Washer-Hub Cap
109154	14	12	2	Cap-Hub
109189	2	16	1	Bearing-Flange
109262	2	13	2	Washer
109459	1	5	2	Clamp-Headlight
109494	1	2	1	Bezel-RH Headlight
109495	1	1	1	Bezel-LH Headlight
109530	5	20	1	Nut-Hex Palnut
109553	16	2	1	Boot-Battery Cable
109554	18	18	1	Bracket-Belt Guard
109842	10	5	1	Bearing-Ball
109910	12	14	1	Wire-Ground
109989	9	13	2	Spacer
110234	13	13	1	Screw
110653	6	26	1	Rod-Height Control
110656	11	12	1	Trunnion
110665	11	20	A/R	ASM-Bracket
110669	11	11	1	Plate-PTO
110725	13	2	1	ASM-Rod
110727	13	23	1	ASM Shift Rod
111052	11	24	1	Rod-PTO Clutch

\*Not Illustrated

# Toro Part Number Index (cont.)

Part No.	Page No.	Ref. No.	Qty.	Description
111069	16	6	1	Wire ASM
111069	18	23	1	Wire ASM
111074	16	1	1	Cable—Battery
111096	20	29	1	Gear
111099	20	26	1	Gear
111196	20	4	2	End Cap—Differential
111198	19	13	1	Case Trans. LH
111199	20	2	2	Bearing Ball
111200	19	10	1	Case Trans. RH
111240	11	13	1	Bracket
111242	8	17	1	Wire—Belt Guide
111314	10	27	1	ASM—Pin
111332	18	4	2	Switch—Interlock
111383	7	23	2	Collar W/Set Screw
111383	8	23	1	Collar W/Set Screw
111386	3	5	1	Plate—Shift Pattern
111392	3	16	1	Retainer—Offset"j"
111510	3	38	1	Decal—Parking Brake
111534	3	32	1	Decal—Shift Pattern
111642	18	3	2	Barrier—Switch
111757	1	7	1	Edging
111926	3	36	1	Decal—Electric System
111960	3	33	1	Decal—PTO Clutch
112168	3	35	1	Decal—Lift
112214	5	9	1	Control—Choke
112358	1	8	1	ASM—Hood & Grill
112415	3	7	1	Stop—PTO
112841	8	16	1	Cap—#234-5 Black
113010	16	10	1	ASM—Battery Hold Down
113107	10	26	1	Clevis
113108	10	1	1	Rod—PTO Housing
113379	2	31	1	Spindle
113380	2	32	1	Spindle
113443	2	14	1	Tube—Steering Shaft
113445	6	31	1	ASM—Lift Bar
113935	4	6	1	Cover—Side L.H.
113969	16	9	2	Hook—Battery Retainer
114720	16	7	1	Tube—Battery Drain
114881	10	8	A/R	ASM—PTO Clutch Plate
115411	18	2	1	Bracket—Switch
115854	5	17	1	Control—Throttle
116000	4	8	6	Screw—CARR
116338	5	14	1	ASM—Switch
116397	18	17	2	Relay
116636	20	19	1	ASM Shift Fork
116741	14	3	2	ASM—Wheel & Tire
116745	1	19	1	Rod—Grill Pivot
116746	1	20	1	Bracket—Grill R.H.
116747	1	13	1	Bracket—Grill L.H.
117255	12	10	1	Engine—12 Hp Kohler
117289	14	10	2	ASM—Wheel & Tire
117331	18	11	1	Bracket—Fuse Holder
117343	3	11	2	Latch—Hood
117344	1	10	2	Handle—Latch
117371	3	21	4	Screw—CARR
117431	3	12	4	Poprivet
117432	1	9	4	Poprivet
117930	15	17	1	ASM—Latch
120590	5	2	1	Stop—Throttle
120930	18	9:1	1	Fuse Holder
210281	X28	18	1	Clip—Hi Tension
518211	4	4	A/R	Bumper—Rubber

\*Not Illustrated

# Toro Part Number Index (cont.)

Part No.	Page No.	Ref. No.	Qty.	Description
700806	9	15	2	Knob
701178	9	1	2	Cap-Protector
911423	20	1	4	Bolt-Hex
920248	7	4	2	Washer-Nylon
920248	8	25	1	Washer-Nylon
933148	6	17	1	Pin-Spirol
933156	20	16	2	Pin-Hd. Spirol
933184	13	22	1	Pin-Spirol
933190	7	29	1	Pin-Spring
933267	8	30	1	Pin-Spring
933274	10	25	1	Pin-Spirol
937089	20	33	1	Key-Woodruff
937108	19	5	2	Woodruff Key
937221	13	18	1	Key- Woodruff
9080026	10	14	4	Screw-Lock
9103312	12	13	4	Screw
9104784	18	5	2	Screw
9107922	5	7	2	Screw-Phcr
9107944	18	8	2	Screw-Phcr
9108372	3	1	6	Screw-Phcr
9108372	4	7	2	Screw-Phcr
9151126	3	22	4	Nut-HH
9157324	18	1	2	Nut-Lk
9157404	5	1	2	Nut
9157404	18	12	2	Nut
9202254	7	28	1	Washer-Special
9202594	5	21	1	Washer
9202624	5	18	1	Washer-Flat
9266714	1	6	2	Screw-HWHTF
9266714	18	6	1	Screw-HWHTF
9266944	3	8	11	Screw-HH
9266944	4	15	1	Screw-HH
9266944	6	7	1	Screw-HH
9266944	7	17	1	Screw-HH
9266944	9	10	4	Screw-HH
9266944	18	20	5	Screw-HH
9266964	6	21	2	Screw-HH
9266974	9	18	4	Screw-HH
9266974	17	8	2	Screw-HH
9335054	6	32	2	Hairpin
9335054	7	3	1	Hairpin
9335054	11	9	1	Hairpin
9335054	15	10	1	Hairpin
9335064	10	23	1	Hairpin
9335074	6	19	2	Cotter-Hairpin
9601524	18	13	4	Screw
9791204	15	6	2	Spacer
38-1420	9	19	1	Switch-Seat
55-3570	17	7	1	ASM-Cap
62-7770	5	10	2	Key-Ignition
66-0120	5	6	1	Knob
78-1550	6	28	1	Lift Lever
78-2880	2	4	1	Lower Steering
78-2900	2	33	2	ASM-Tie Rod
78-2970	8	5	1	ASM-Clutch Idler Arm
78-3010	3	23	1	Bracket-Battery Support
78-3020	18	22	1	Plate-Front
78-3240	8	26	1	Absorber-Gas Spring
78-3250	8	14	1	Spacer-Shoulder
78-3260	8	29	1	Spacer-Shoulder
79-0950-03	9	17	1	Bracket-Pivot RH
79-0970-03	9	12	1	Bracket-Pivot LH

\*Not Illustrated

# Toro Part Number Index (cont.)

Part No.	Page No.	Ref. No.	Qty.	Description
79-2470	3	34	1	Decal-Back Plate
79-3580	18	9	1	Wiring-Harness & Dia
79-3640	3	13	1	Console
79-4990	17	19	1	Bracket-Fender Support
79-5810	3	37	1	Decal-Console
83-2710	13	1	1	Knob
83-2720	14	2	10	Bolt-Lug
83-2890	19	16	1	Bearing-Needle
83-3530	19	21	1	Shaft-Cluster
83-6520	15	16	1	Rod-Lock
88-2170	3	24	1	Bracket-Belt
88-2710	2	5	1	Support-Lower Steering
92-1525	3	20	1	Hoodstand
92-4987	2	19	1	Steering Shaft
92-6511	9	9	1	Seat
92-6710	6	11	1	Grip-Handle
92-6750	9	8	2	Spacer-Nylon
92-6849	8	15	1	Rod-Brake Front
92-6972-03	9	7	1	Support-Seat
92-6986	9	6	2	Bolt-Shoulder
92-7054	9	3	2	Spring-Compression
92-8707	13	6	1	Trans. ASM 4 Pin 8 Speed
92-8946	3	31	1	Decal-Danger
92-9511	17	20	1	Line-Fuel 62"
92-9826	1	24	1	Decal-Front Hood
92-9837	1	26	1	Decal-Danger
92-9845	18	15	1	Solenoid
93-1613	15	22	1	Latch
93-7339	3	34	A/R	Decal-Back Plate
93-9287	12		A/R	Bar-Muffler Guard
93-9808	7	15	A/R	V-Belt Single
93-9808	8	1	1	V-Belt Single
94-1808	3	2	1	Plate-Hoodstand
94-1834	13	24	1	Decal-Unidrive
94-2869	9	14	2	Washer-Flat
94-3519	2	21	1	Steering Wheel 15"
94-3521	4	17	1	Footrest R.H.
94-3522	4	9	1	Footrest L.H.
94-3701	11	2	1	PTO Clutch Lever
94-3703	7	25	1	Pedal-Clutch
94-3704	10	21	1	Belt Cover-PTO
94-3706	8	21	1	Pedal-Brake
94-3709	1	23	1	Horse Head Logo
94-3710	4	1	1	Mat-Foot R.H. (Gear)
94-3712	4	2	1	Mat-Foot L.H.
94-3715-01	2	22	1	Frame
94-3722-01	9	11	1	Fender
94-3723	5	11	1	Hourmeter
94-3724-01	4	16	1	Belt Guard (Single)
94-3726	10	18	1	Bracket
94-3727	11	1	1	Knob
94-3729	10	28	1	Retainer-Bolt
94-3735	10	22	2	Nut-Wing
94-3738	12	12	1	Shield-Heat
94-3739	12	1	1	Muffler
94-6330	15	29	2	Decal-Attach A Matic
94-6331	9	30	1	Decal-Wheelhorse USA
94-6332	1	27	1	Decal-Hood LH Top
94-6333	1	25	1	Decal-Hood RH Top
94-6334	9	28	1	Decal-Rear Fender
94-6337	3	30	2	Decal-Model 312-8
94-6650	10	8	1	ASM-Plate

\*Not Illustrated

# Toro Part Number Index (cont.)

Part No.	Page No.	Ref. No.	Qty.	Description
94-6652	11	20	1	ASM-Brake
237-69	2	20	1	O-Ring
2412-98	17	21	2	Clamp-Hose
281-2	20	12	1	Plug-Pipe
281-10	20	13	1	Plug-Pipe
302-5	2	28	2	Fitting-Grease
302-5	7	26	1	Fitting-Grease
302-5	8	22	1	Fitting-Grease
321-3	13	7	2	Screw-HH
321-3	18	19	2	Screw-HH
321-4	16	3	2	Screw-HH
321-9	8	27	1	Screw-HH
321-31	8	7	1	Screw-HH
322-1	2	24	1	Screw-HH
322-2	6	39	2	Screw-HH
322-2	17	15	2	Screw-HH
322-3	17	17	4	Screw-HH
322-5	3	3	2	Screw-HH
322-5	6	24	3	Screw-HH
322-5	9	4	4	Screw-HH
322-6	6	34	1	Screw-HH
322-7	12	2	1	Screw-HH
323-5	13	14	4	Screw-HH
323-6	2	2	2	Screw-HH
323-6	10	19	1	Screw-HH
323-6	12	7	2	Screw-HH
323-7	11	10	1	Screw-HH
323-8	2	6	2	Screw-HH
323-8	12	9	2	Screw-HH
323-9	7	14	1	Screw-HH
323-11	19	18	5	Screw
323-16	19	14	1	Screw-HH
323-44	15	1	6	Screw-HH
324-5	8	20	1	Screw-HH
324-5	11	16	2	Screw-HH
3217-5	13	16	1	Nut-Hex
3217-5	18	14	2	Nut-Hex
3218-1	11	23	2	Nut-Jam
3218-3	19	2	4	Nut-Jam
3229-25	1	14	4	Screw-CARR
3229-25	11	19	2	Screw-CARR
3230-1	4	12	1	Screw-CARR
3231-25	15	26	3	Screw-CARR
3235-22	17	10	2	Screw-HH Lock
3242-2	13	20	1	Screw Set-SH
3243-5	19	3	4	Screw-Set
3246-2	10	11	2	Screw-HSH Set
3250-31	9	20	4	Screw-Phcr
3253-3	11	22	2	Washer-Lock
3253-3	13	8	2	Washer-Lock
3253-3	16	13	2	Washer-Lock
3253-4	2	25	1	Washer-Lock
3253-4	12	3	1	Washer-Lock
3253-4	17	14	2	Washer-Lock
3253-6	8	19	1	Washer-Lk
3253-6	11	15	2	Washer-Lk
3253-21	12	8	2	Washer-Spring Lock
3253-21	13	15	4	Washer-Spring Lock
3254-2	1	21	1	Washer-Lock Intl Tooth
3255-7	18	16	2	Washer-Lock
3256-4	17	9	2	Washer-Flat
3256-5	6	21	1	Washer-Flat

\*Not Illustrated

# Toro Part Number Index (cont.)

Part No.	Page No.	Ref. No.	Qty.	Description
3256-22	1	12	3	Washer-Flat
3256-22	8	28	1	Washer-Flat
3256-22	11	21	2	Washer-Flat
3256-22	16	4	4	Washer-Flat
3256-23	3	4	2	Washer-Flat
3256-23	6	5	3	Washer-Flat
3256-23	12	4	1	Washer-Flat
3256-24	7	11	2	Washer-Flat
3256-25	6	33	1	Washer-Flat
3256-25	8	18	1	Washer-Flat
3256-25	11	14	2	Washer-Flat
3256-26	7	2	1	Washer-Flat
3256-26	15	9	1	Washer-Flat
3256-27	10	24	1	Washer-Flat
3256-37	5	19	1	Washer-Flat
3256-62	6	2	2	Washer-Flat
3272-1	1	16	2	Pin-Cotter
3272-6	7	18	1	Pin-Cotter
3272-10	6	27	1	Pin-Cotter
3272-10	7	22	1	Pin-Cotter
3272-10	8	24	2	Pin-Cotter
3272-10	11	5	3	Pin-Cotter
3272-17	14	7	2	Pin-Cotter
3272-19	2	11	1	Pin-Cotter
3272-21	2	17	1	Pin-Cotter
3290-479	4	3	16	Fastener-Panel
3296-6	2	3	4	Nut-Lock
3296-27	9	24	4	Nut-Lock
3296-29	3	26	2	Nut-Lock
3296-29	4	11	7	Nut-Lock
3296-29	6	4	6	Nut-Lock
3296-29	9	16	2	Nut-Lock
3296-29	17	13	4	Nut-Lock
3296-39	2	23	4	Nut-Lock
3296-39	6	37	1	Nut-Lock
3296-39	7	15	1	Nut-Lock
3296-39	11	17	1	Nut-Lock
3296-39	12	6	2	Nut-Lock
3296-39	15	4	6	Nut-Lock
3296-39	15	24	3	Nut-Lock
3296-39	19	9	6	Nut-Lock
3296-42	1	11	4	Nut-Lock
3296-42	8	4	2	Nut-Lock
3296-42	16	12	2	Nut-Lock
3296-42	18	10	4	Nut-Lock
3296-58	9	2	2	Nut-Flange
32103-22	16	11	2	Nut-Wing
32120-47	6	30	1	Ring-Retaining
32120-62	10	4	1	Ring-Retain
32120-72	10	3	2	Ring-Retaining
32120-93	2	34	2	Snap Ring
32121-25	6	15	1	Pin-Roll
32121-103	6	14	1	Pin-Spring
32121-111	2	15	1	Pin-Spiral
32128-40	10	17	1	Nut-Lock
32136-5	2	10	1	Nut-Slotted
32146-2	8	6	1	Nut-Lock
32151-11	11	3	1	Ring-Grip
32151-91	6	1	1	Ring-Retaining

\*Not Illustrated

