



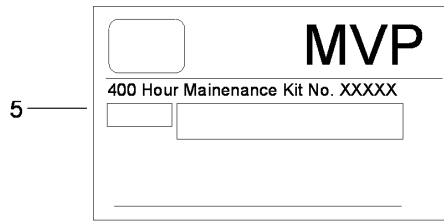
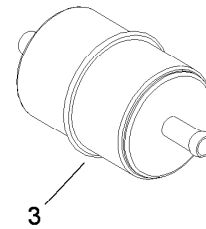
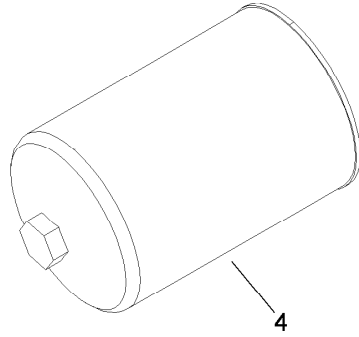
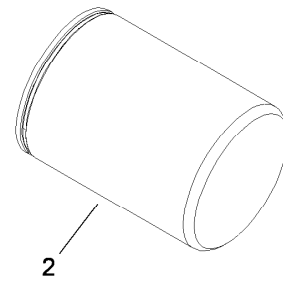
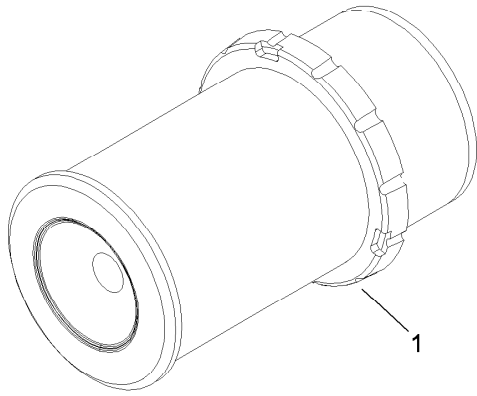
**Count on it.**

**Parts Catalog**

**MVP Filter Kit**

**Groundsmaster® 345 Series**

**Model No. 30021**



## MVP Filter Kit

<i>Ref.</i>	<i>Part Number</i>	<i>Qty.</i>	<i>Description</i>
1	108-3833	1	Filter-Air
2	108-3817	5	Filter-Oil
3	108-3831	1	Filter-Fuel
4	23-9740	3	Filter-Oil
5	112-7726	1	Label-Mvp