



Count on it.

Parts Catalog

Workman® MDE Utility Vehicle

Model No. 07299—Serial No. 31000001 and Up

Ordering Replacement Parts

To order replacement parts, please supply the part number, the quantity, and the description of each part desired.

Understanding Reference Numbers

Each identified part in an illustration has a reference number. The reference number for a part also appears in the parts list, along with other information about the part.

This catalog uses two special reference number formats, one to indicate parts in a service assembly and another to indicate the quantity of a given part in an illustration.

Service Assembly Reference Numbers

Parts in service assemblies have reference numbers in the form a:b. The a represents the reference number of the entire service assembly and the b represents a sequential number unique to each part within the service assembly.

For example, a wheel assembly might be identified by reference number 6, the tire by 6:1, the valve by 6:2, and the wheel by 6:3. When you order the assembly identified by reference number 6, you receive all parts identified by reference numbers 6:1, 6:2, and 6:3. However, you may also order any part individually. Reference numbers of this type appear in illustration and in parts lists.

Reference Numbers Indicating Quantity

In an illustration, if a reference number indicates more than one part, the reference number has the form nX y. The n represents the quantity of the part, the X is the multiplication symbol, and the y represents the reference number.

For example, in an illustration, the reference number 2X 37 means that two of the parts identified by reference number 37 are indicated.

List of Abbreviations

AR: as required

ASM: assembly

BBC: blade brake control

BHTF: button head thread forming

CARR: carriage

CCW: counter clockwise

CW: clockwise

DEG: degrees

ECM: electronic control module

EXT: external

FH: flat head

GA: gauge

HD: heavy-duty

HF: hex flange

HH: hex head

HHF: hex head flange

HHFTF: hex head flange thread forming

HJ: hex jam

HLH: hex lag head

HOC: height-of-cut

HSBH: hex socket button head

HSFH: hex socket flat head

HSH: hex socket head

HWH: hex washer head

HWHTF: hex washer head thread forming

HYD: hydraulic

LH: left hand

NI: nylon insert

NPTF: national pipe thread fine

PFH: phillips flat head

PPH: phillips pan head

PPHTF: phillips pan head thread forming

PRH: phillips round head

PTH: phillips truss head

PTO: power-take-off

RH: right hand

ROPS: roll-over protection system

RRB: rear roller brush

SFH: slotted fillister head

SHH: slotted hex head

SHWH: slotted hex washer head

SPH: slotted pan head

SQH: square head

SRH: slotted round head

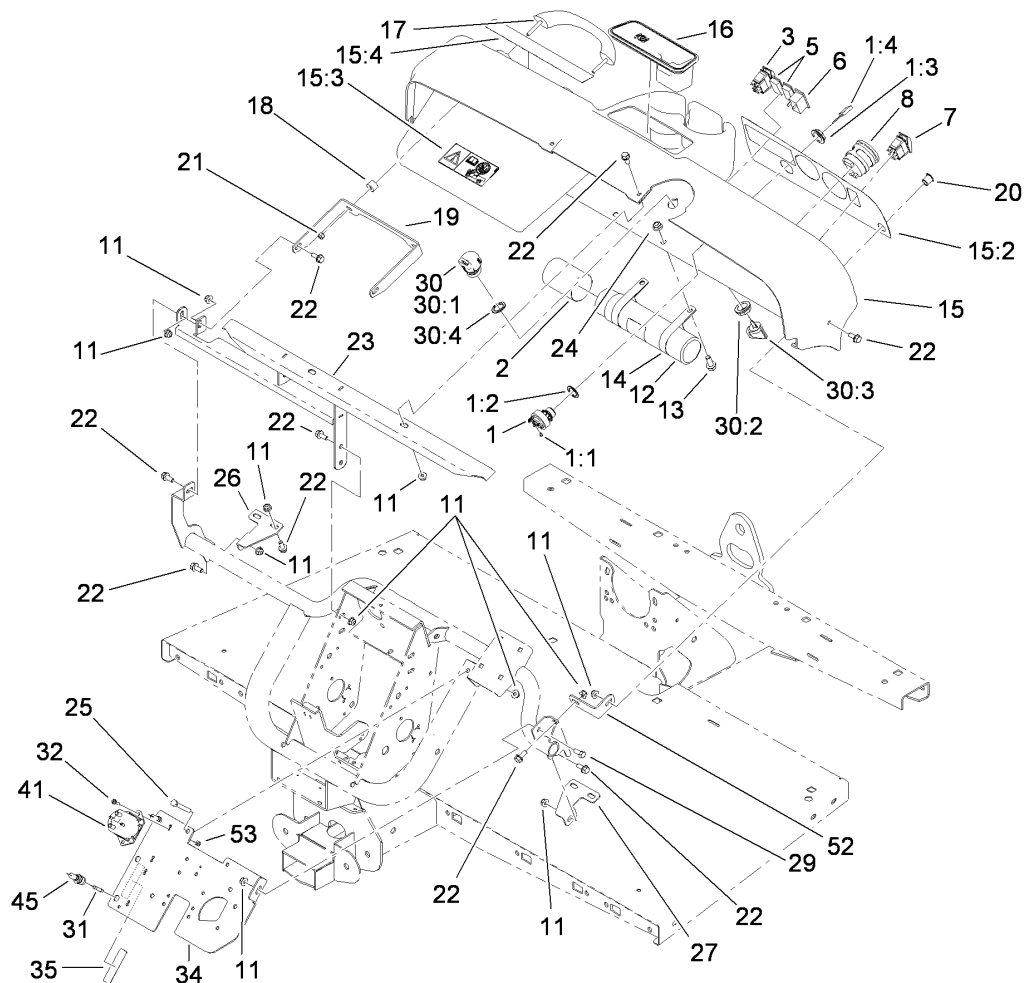
STD: standard

TAP: self tapping

TTH: torx truss head

Contents

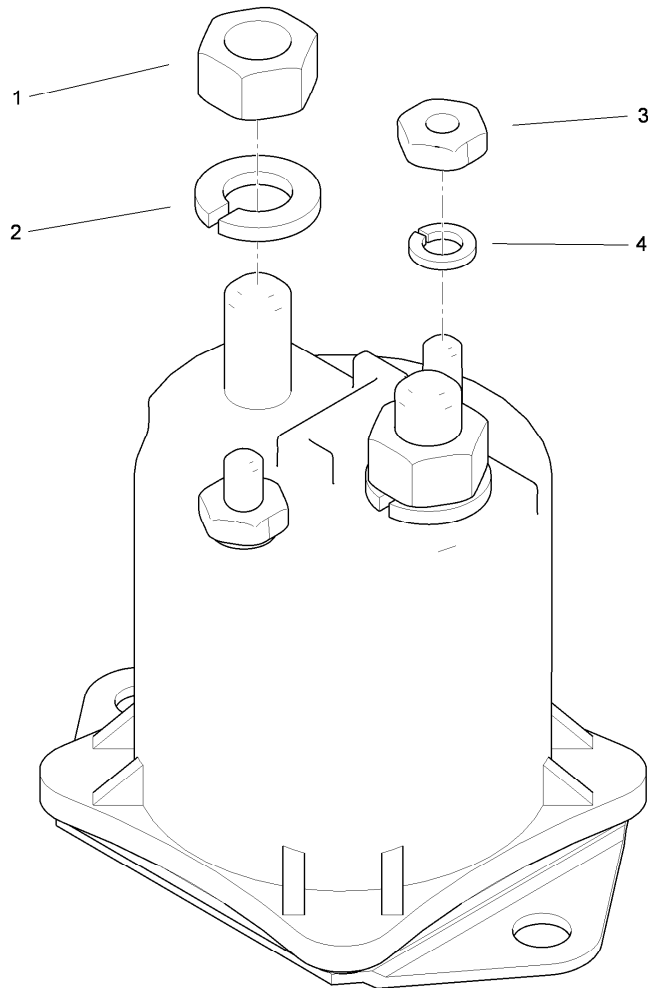
Dash Assembly	4
Solenoid Assembly No. 104-7135	5
Pedal Box Assembly	6
Master Cylinder and Brake Line Assembly	7
Master Cylinder Assembly No. 104-6782	8
Frame Assembly	9
Seat Base Assembly	10
Offboard 48 Volt Charger Assembly No. 112-3072	11
Front Tire, Spindle and Tie Rod Assembly	12
Controller Assembly	13
Battery and Transaxle Assembly	14
Electric Motor Assembly No. 104-7335	15
Electric Transaxle Assembly No. 114-8330	16
LH Rear Brake Assembly No. 114-8332	17
RH Rear Brake Assembly No. 114-8331	18
Upper Steering Assembly	19
Steering Box Assembly No. 112-3130	20
Box and Tailgate Installation Assembly	21
Box and Tailgate Assembly	22
Hood and Fender Assembly	23
Attachments and Accessories	24



Dash Assembly

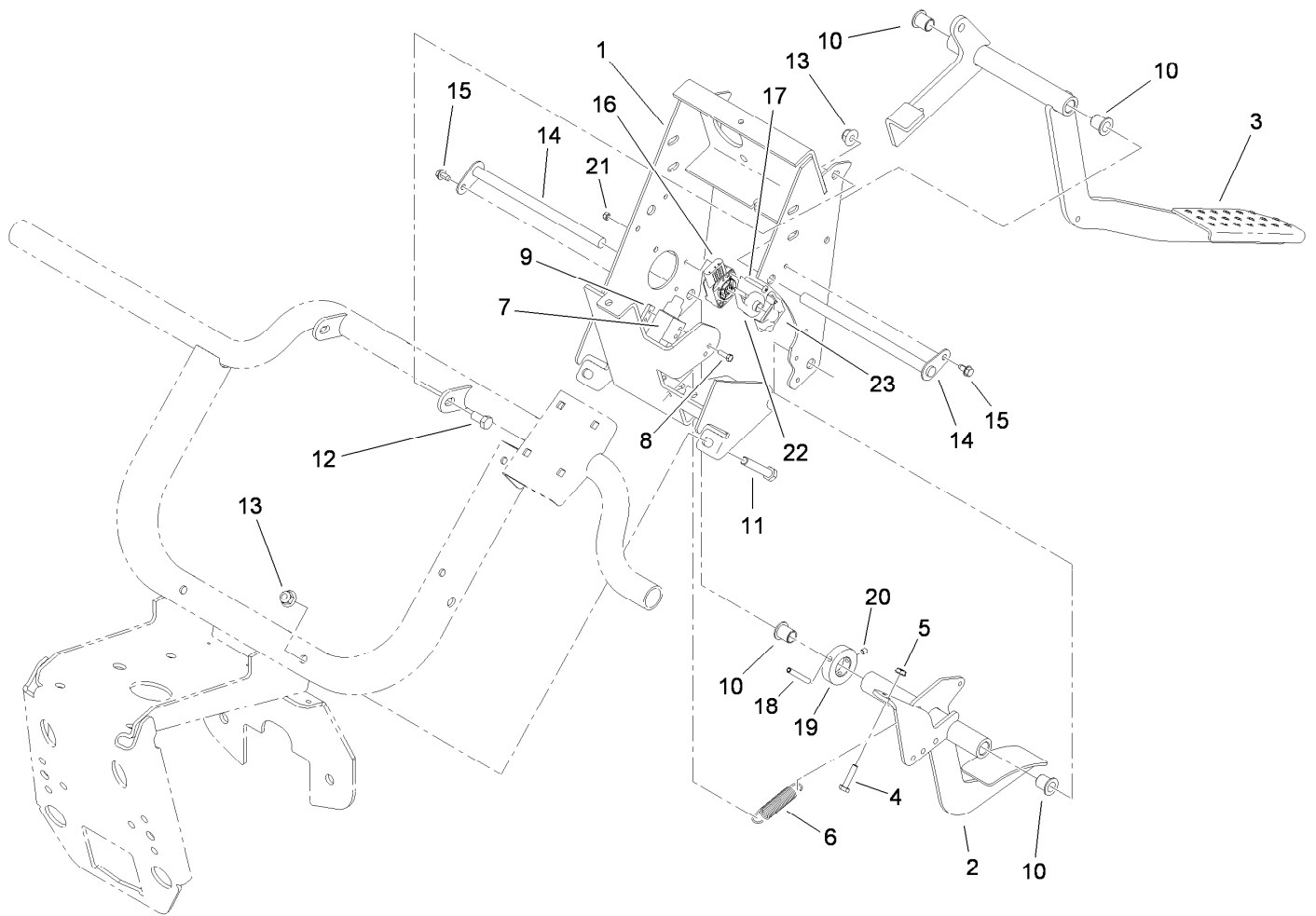
Ref.	Part Number	Qty.	Description	Ref.	Part Number	Qty.	Description
1	107-0348	1	Switch-Key, 48V	19	112-3391-03	1	Bracket-Grip, Handle
1:1	3250-28	3	Screw	20	94-5627	1	Plug
1:2	108-8659	1	Washer-Backup	21	104-7201	2	Nut-HF
1:3	108-8660	1	Nut-Mounting	22	110-5053	15	Screw-Flange
1:4	108-6994	1	Key-Ignition	23	115-7651-03	1	Dash Support ASM
2	104-7048	1	Cap-Housing	24	104-8301	2	Nut-Flange, NI
3	107-0255	1	Switch	25	322-11	2	Screw-HH
5	99-7420	2	Plug-Hole	26	114-8304	1	Bracket-Dash Mount, RH
6	104-7129	1	Light-Indicator	27	114-8312	1	Bracket-Dash Mount, LH
7	107-0747	1	Switch-Rocker	29	322-3	1	Screw-HH
8	107-0260	1	Guage-Hour/Battery Level, 48 Volt	30	110-2580	1	Switch-Key, Supervisor
11	104-8300	18	Nut-Flange, NI	30:1		1	Switch-Key ●
12	104-7050	1	Tube-Manual	30:2	108-8660	1	Nut-Mounting
13	3234-11	2	Screw-HHF	30:3	110-5221	1	Set-Key, Supervisor
14	2412-133	2	R-Clamp	30:4	108-8659	1	Washer-Backup
15	114-8311	1	Dash ASM	31	98-8876	2	Fuse-10 Amp
15:2	112-3310	1	Decal-Dash, Ce	32	32105-13	2	Screw-HWH
15:3	104-7215	1	Decal-Danger	34	112-3376-03	1	Plate-Mount, Electrical
15:4	115-2412	1	Decal-No Storage	35	115-7621	1	Decal-Electrical
16	104-6930	1	Plug-Rubber	41	104-7135	1	Solenoid
17	112-3320	1	Handle-Grip	45	218-489	2	Holder-Fuse
18	114-8301	2	Spacer	52	114-8305	1	Angle-Mount, Dash (LH)
				53	3296-2	2	Nut-Lock, NI

● Not serviced separately



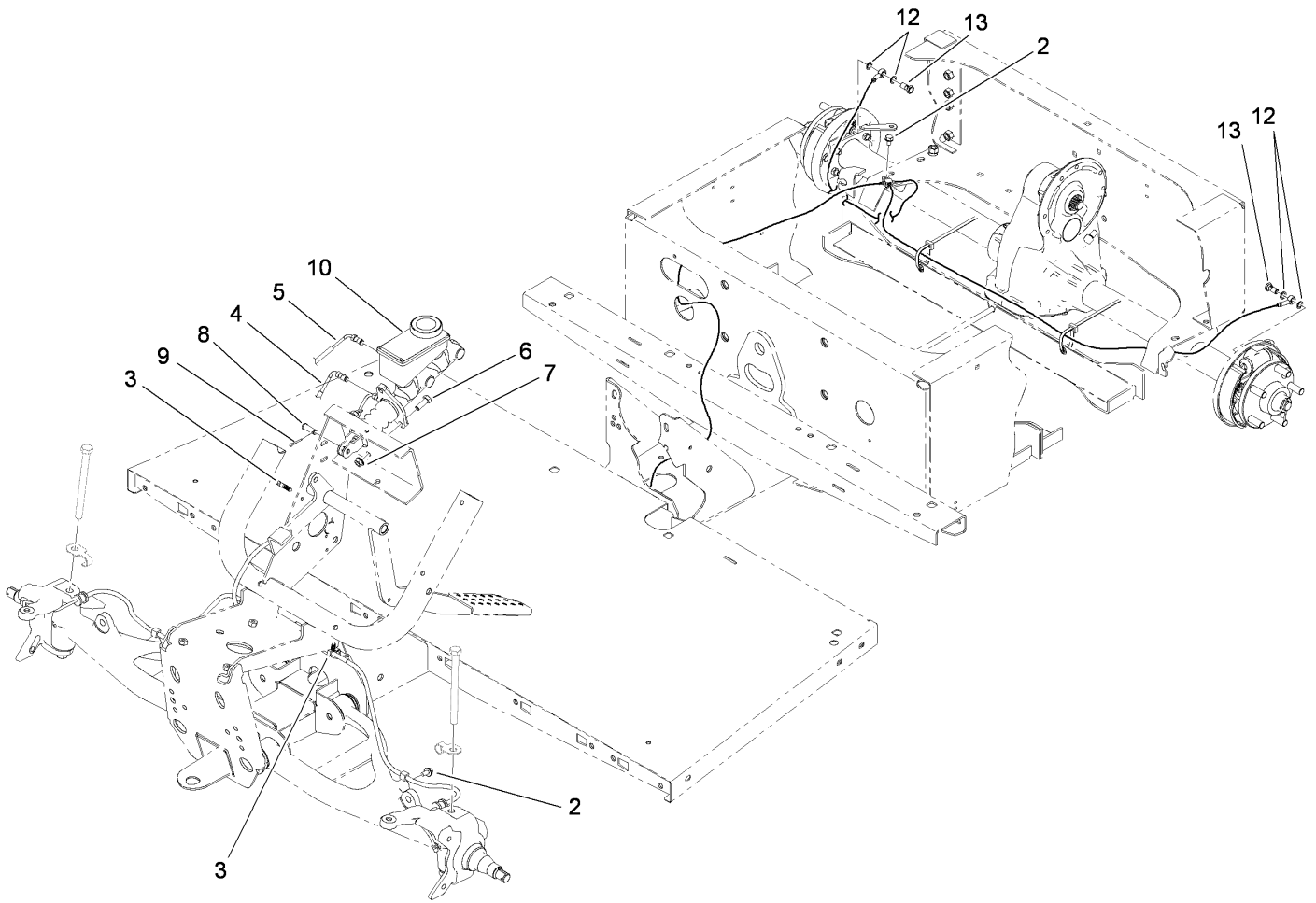
Solenoid Assembly No. 104-7135

<i>Ref.</i>	<i>Part Number</i>	<i>Qty.</i>	<i>Description</i>
1	3217-6	2	Nut-Hex
2	3253-4	2	Washer-Lock
3	3219-14	2	Nut-Hex
4	3253-17	2	Washer-Lock



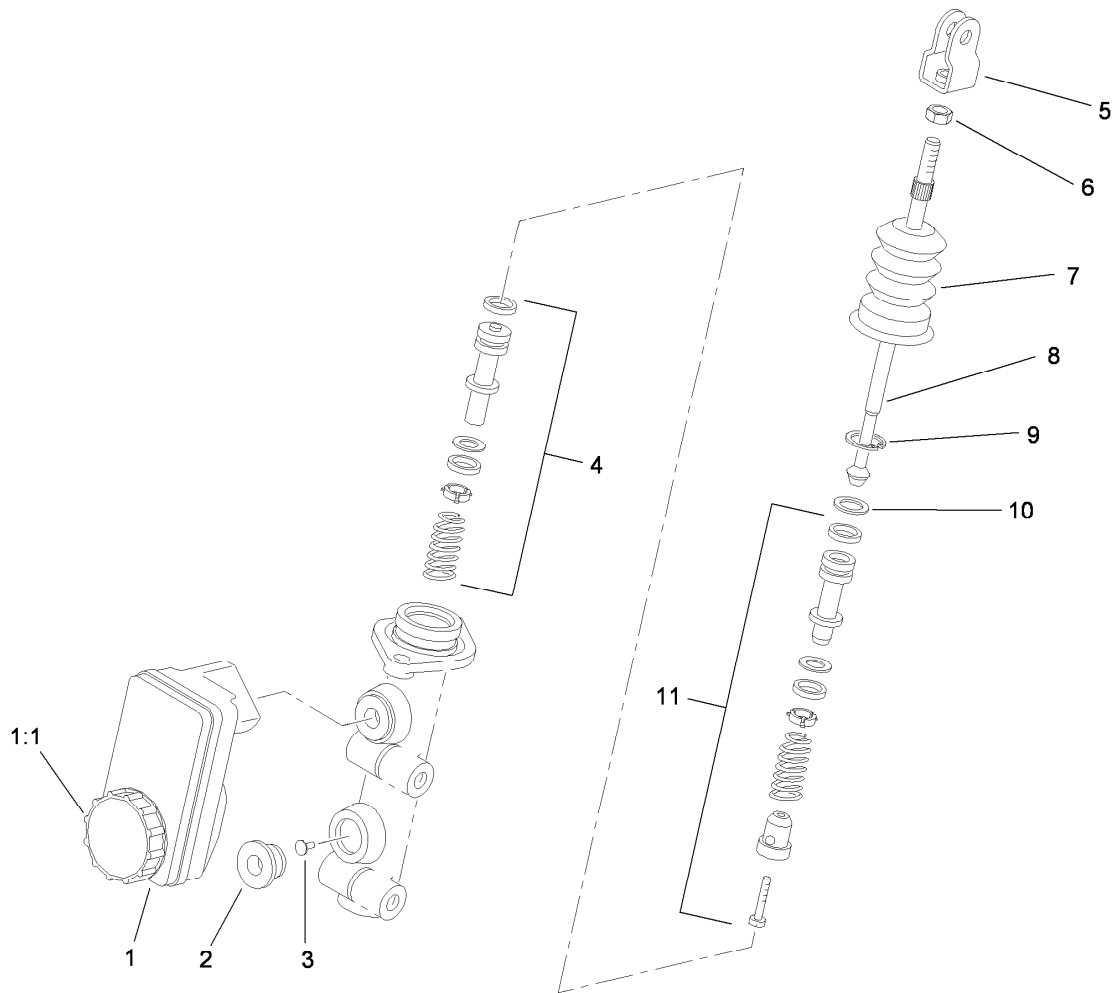
Pedal Box Assembly

<i>Ref.</i>	<i>Part Number</i>	<i>Qty.</i>	<i>Description</i>	<i>Ref.</i>	<i>Part Number</i>	<i>Qty.</i>	<i>Description</i>
1	119-0748-03	1	Pedal Support Frame ASM	13	104-8301	4	Nut-Flange, NI
2	115-7630-03	1	Throttle Pedal ASM	14	104-7164	2	Pivot-Pedal
3	112-3314-03	1	Brake Pedal ASM	15	12-3270	2	Screw
4	321-7	2	Screw-HH	16	119-0737	1	Sensor-Position, Rotary
5	32149-2	2	Nut-Keps	17	104-1452	2	Screw-PPH
6	104-6415	1	Spring-Return, Pedal	18	117-5071	1	Pin-Roll
7	99-7407	1	Switch	19	104-7301	1	Collar
8	3290-134	2	Screw	20	3245-32	2	Screw-HSH
9	1-633181	1	Plate-Tapped	21	3296-1	2	Nut-Lock
10	256-155	4	Bushing-Flange	22	117-5059	1	Pivot-Sensor, Speed
11	323-11	2	Screw-HH	23	117-5061	1	Retainer
12	323-4	2	Screw-HH				



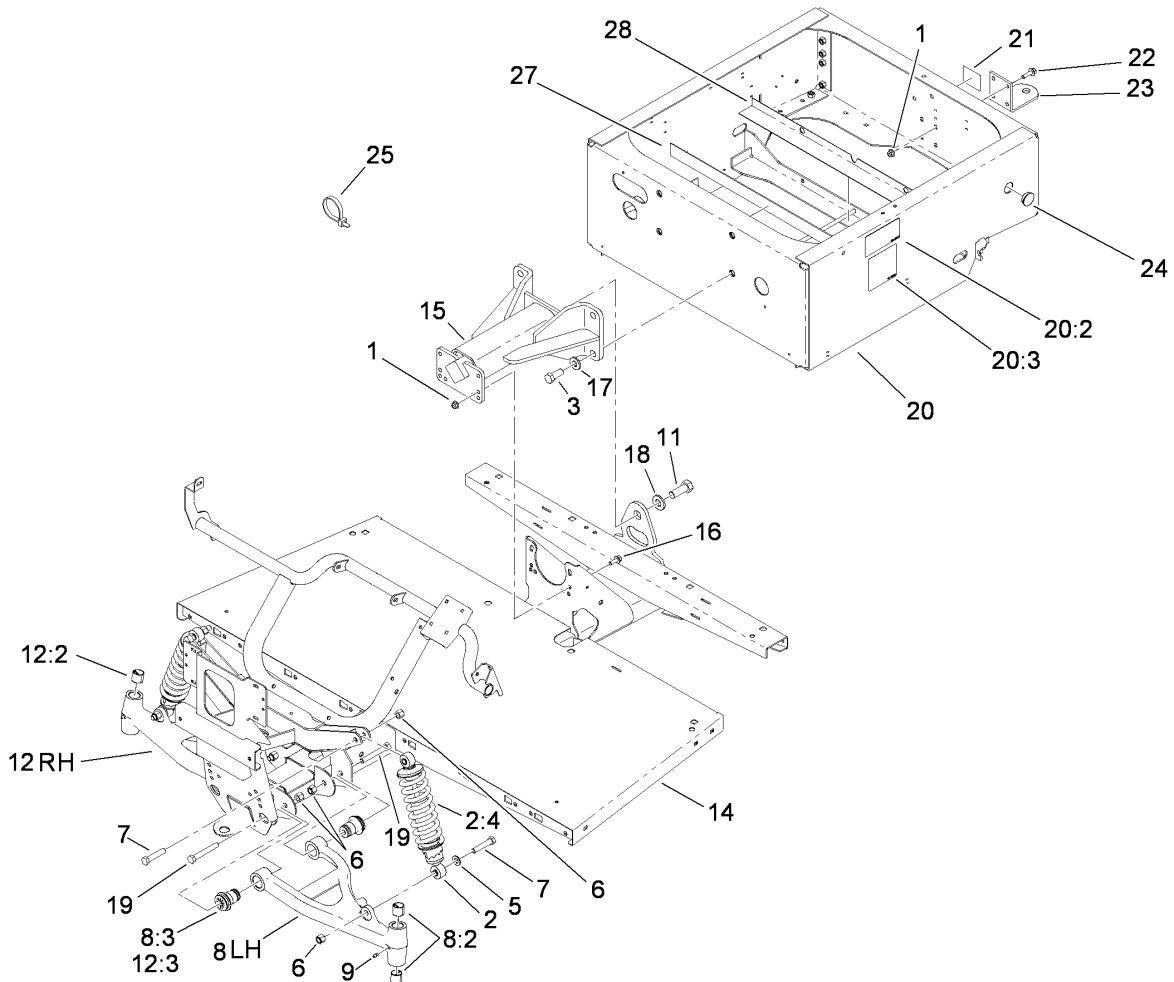
Master Cylinder and Brake Line Assembly

<i>Ref.</i>	<i>Part Number</i>	<i>Qty.</i>	<i>Description</i>
2	32104-82	3	Screw-HHF
3	114-8324	4	Clip-Line, Brake
4	112-2925	1	Front Brake Line ASM
5	115-2409	1	Rear Brake Line ASM
6	323-6	2	Screw-HH
7	3290-357	2	Nut-HHF, Whiz
8	283-2	1	Pin-Clevis
9	3272-10	1	Pin-Cotter
10	104-6782	1	Cylinder-Master
12	115-2341	4	Washer-Banjo
13	115-2340	2	Bolt-Banjo



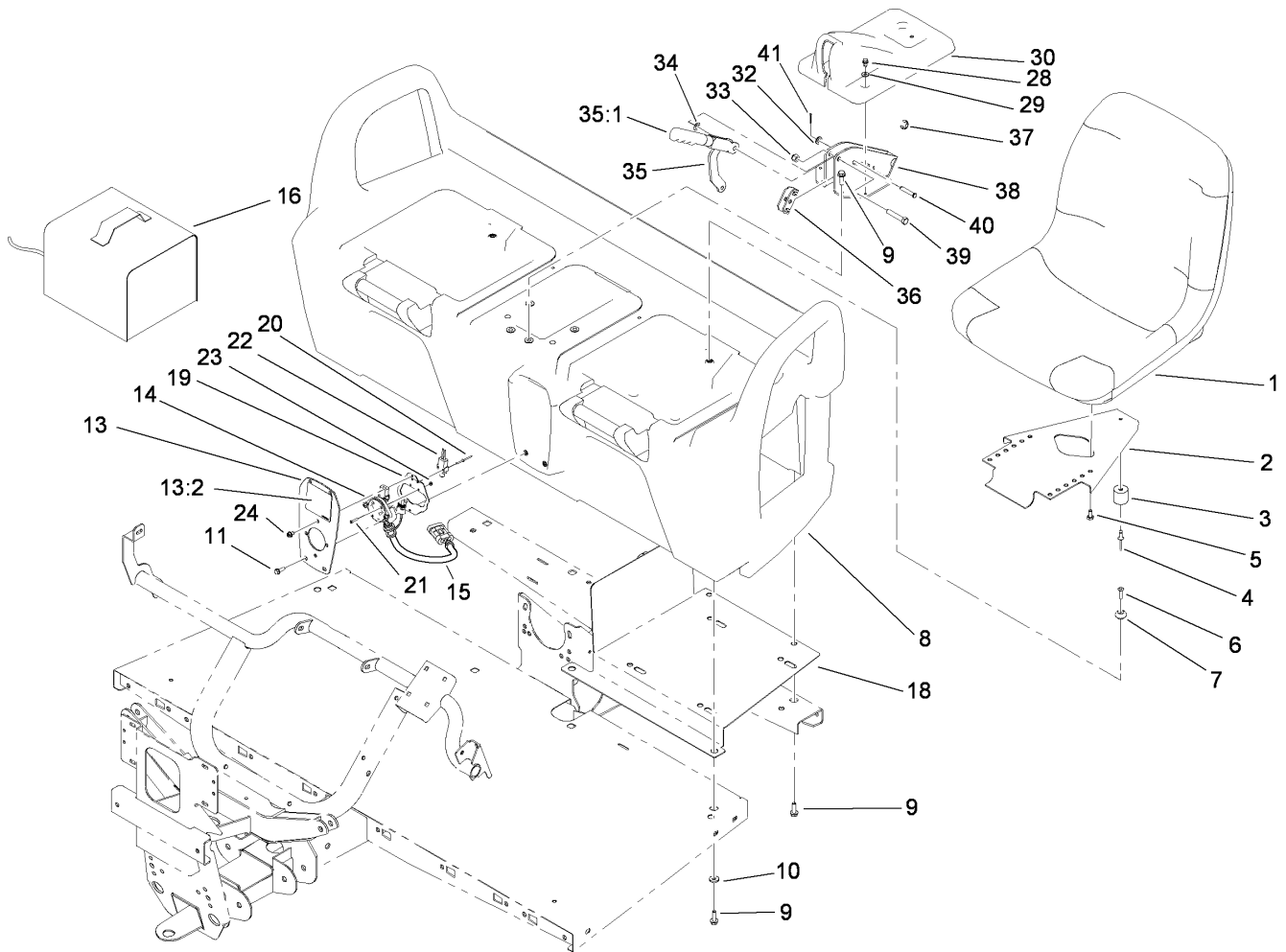
Master Cylinder Assembly No. 104-6782

<i>Ref.</i>	<i>Part Number</i>	<i>Qty.</i>	<i>Description</i>
1	104-6845	1	Reservoir ASM
1:1	92-4112	1	Cap ASM
2	93-8971	2	Seal-Port, Flange
3	92-4103	1	Pin-Stop
4	92-4102	1	Secondary Piston ASM
5	92-4110	1	Clevis
6	21-0360	1	Nut-Hex
7	94-5209	1	Cover-Dust
8	94-5210	1	Rod-Push
9	92-4109	1	Ring-Snap
10	92-4108	1	Retainer-Washer
11	92-4101	1	Primary Piston ASM



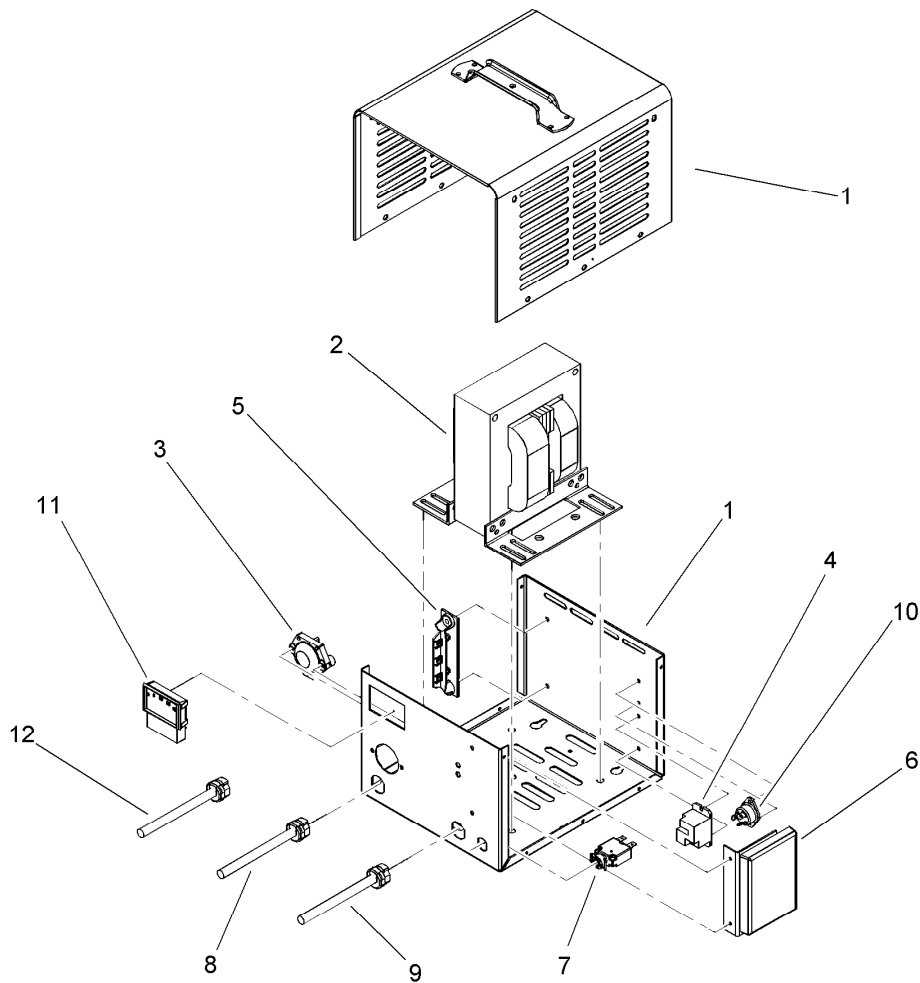
Frame Assembly

<i>Ref.</i>	<i>Part Number</i>	<i>Qty.</i>	<i>Description</i>	<i>Ref.</i>	<i>Part Number</i>	<i>Qty.</i>	<i>Description</i>
1	104-8301	8	Nut-Flange, NI	15	99-7700	1	Pivot Yoke ASM
2	112-2975	2	Shock/Spring ASM	16	3234-11	4	Screw-HHF
2:4	112-3383	1	Spring	17	99-7667	4	Washer-Flat
3	327-4	4	Screw-HH	18	87-3060	1	Washer-Hardened
5	51-3500	2	Washer	19	325-14	4	Screw-HH
6	3296-23	8	Nut-Lock, NI	20	112-3018	1	Rear Frame ASM
7	325-10	4	Screw-HH	20:2	104-7207	2	Decal-Electric
8	114-8313	1	LH A-Arm ASM	20:3	107-0257	1	Decal-Polarity
8:2	3-0348	2	Bushing	21	99-7350	1	Decal-Rating, Hitch (Light Duty)
8:3	87-1450	2	Bushing-Flange	22	3234-24	4	Screw-HHF
9	302-5	2	Fitting-Grease	23	99-7654-03	1	Hitch-Duty, Light
11	328-24	1	Screw-HH	24	94-1402	1	Plug-Hole
12	114-8314	1	RH A-Arm ASM	25	3290-379	15	Tie-Cable
12:2	3-0348	2	Bushing	27	107-0252	1	Pad-Battery
12:3	87-1450	2	Bushing-Flange	28	107-0267	4	Isolator-Battery
14	112-3340-03	1	Front Frame ASM				



Seat Base Assembly

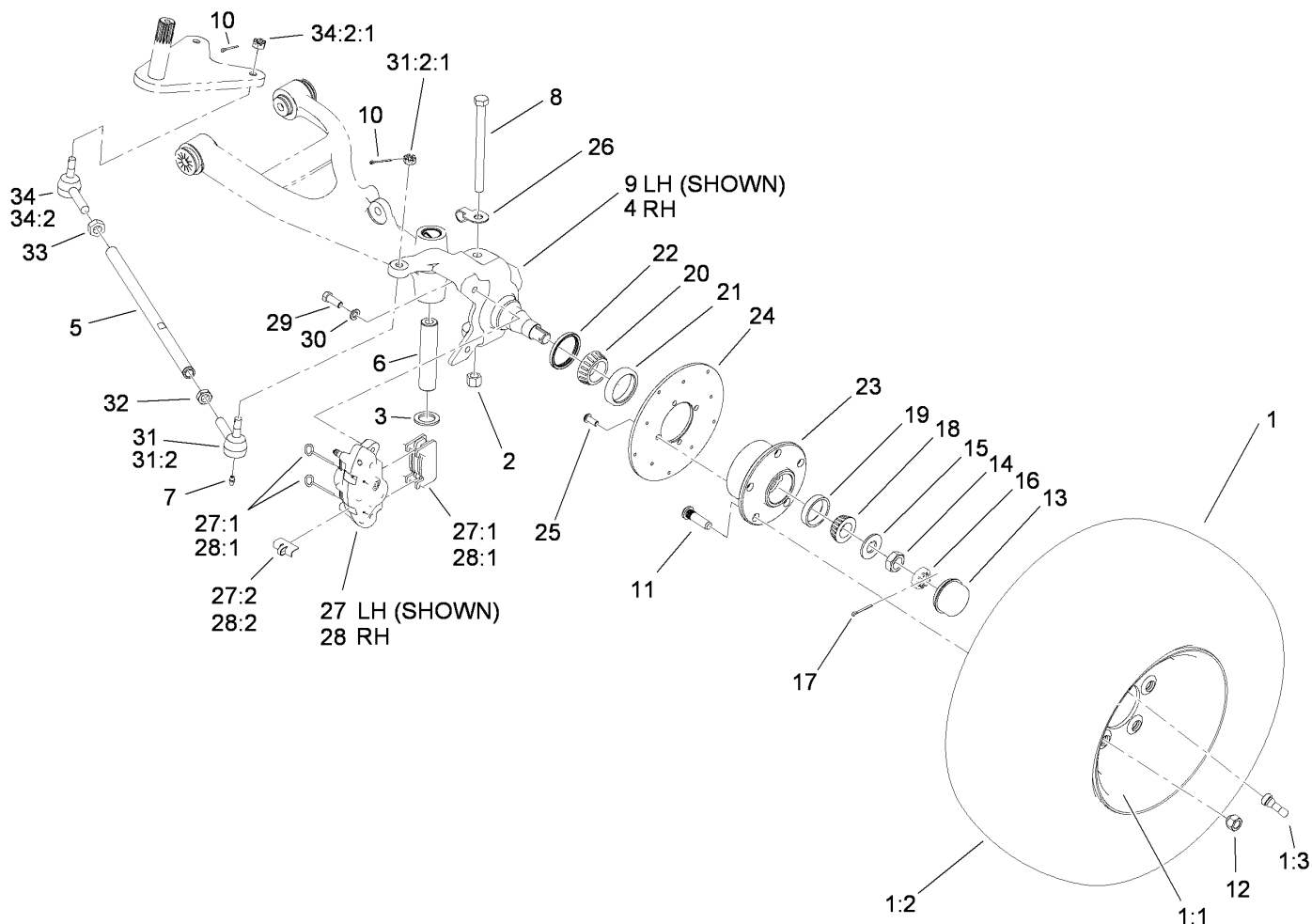
<i>Ref.</i>	<i>Part Number</i>	<i>Qty.</i>	<i>Description</i>	<i>Ref.</i>	<i>Part Number</i>	<i>Qty.</i>	<i>Description</i>
1	112-2923	2	Seat ASM	20	107-0333	2	Rivet-Pop
2	99-7829	2	Bracket-Seat	21	107-0334	2	Screw-HSH
3	99-7830	2	Rubber Receptical ASM	22	99-3410	1	Switch
4	3290-412	2	Rivet	23	3296-9	2	Nut-Lock
5	33114-016	8	Screw-HH	24	32104-17	4	Screw-HWH
6	32108-5	2	Screw-FH	28	12-3270	2	Screw
7	99-7833	2	Post-Holding	29	3256-1	2	Washer-Flat
8	104-6847	1	Seat Base ASM	30	104-7014	1	Cover-Brake, Parking
9	3234-17	12	Screw-HHF	32	3256-23	1	Washer-Flat
10	88-7200	8	Washer-Flat	33	3296-39	1	Nut-Lock, NI
11	32105-15	4	Screw	34	3290-477	1	Washer-Curved
13	107-0370	1	Plate-Receptacle	35	104-6842	1	Lever-Brake, Park
13:2	107-0295	1	Decal-Charger	35:1	106-7972	1	Grip-Handle
14	107-0288	1	Receptacle-Charger	36	87-3480	1	Bracket-Equalizer, Cable
15	115-1913	1	Harness-Wire, Charger	37	32120-47	2	Ring-Retaining, External
16	112-3072	1	Charger-48V T145, Offboard	38	104-6844-03	1	Support-Brake, Park
18	107-0359-03	1	Tray-Seatbase	39	323-10	1	Screw-HH
19	107-0716	1	Bracket-Mount, Socket	40	94-3829	1	Pin-Clevis
				41	3272-6	1	Pin-Cotter



Offboard 48 Volt Charger Assembly No. 112-3072

<i>Ref.</i>	<i>Part Number</i>	<i>Qty.</i>	<i>Description</i>
1		1	Case ASM ●
2		1	Transformer ASM ●
3	108-1161	1	Fuse ASM
4	108-1162	1	Relay-48V, Dc
5	108-1163	1	Diode ASM
6	112-3073	1	Control Board ASM
7	110-2579	1	Breaker-Circuit
8	108-1166	1	Kit-Cordset, 8.5 Foot (Dc)
9	108-1167	1	Kit-Cordset, 72 Inch (Ac) Us
10	108-1168	1	Terminal And Screw ASM
11	108-1169	1	Ammeter
12	108-3071	1	Kit-Cordset, 20 Foot (Dc)

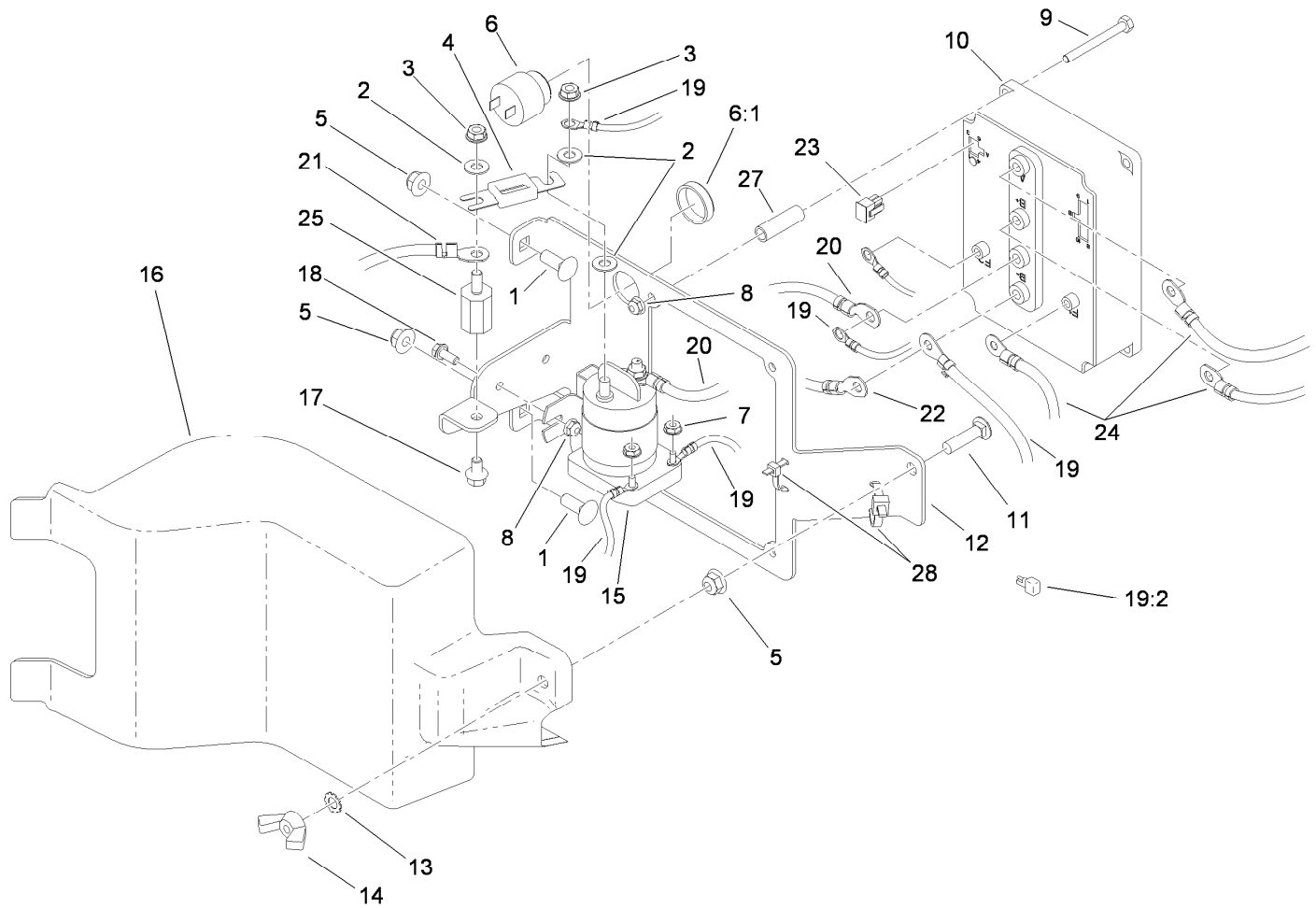
● Not serviced separately



Front Tire, Spindle and Tie Rod Assembly

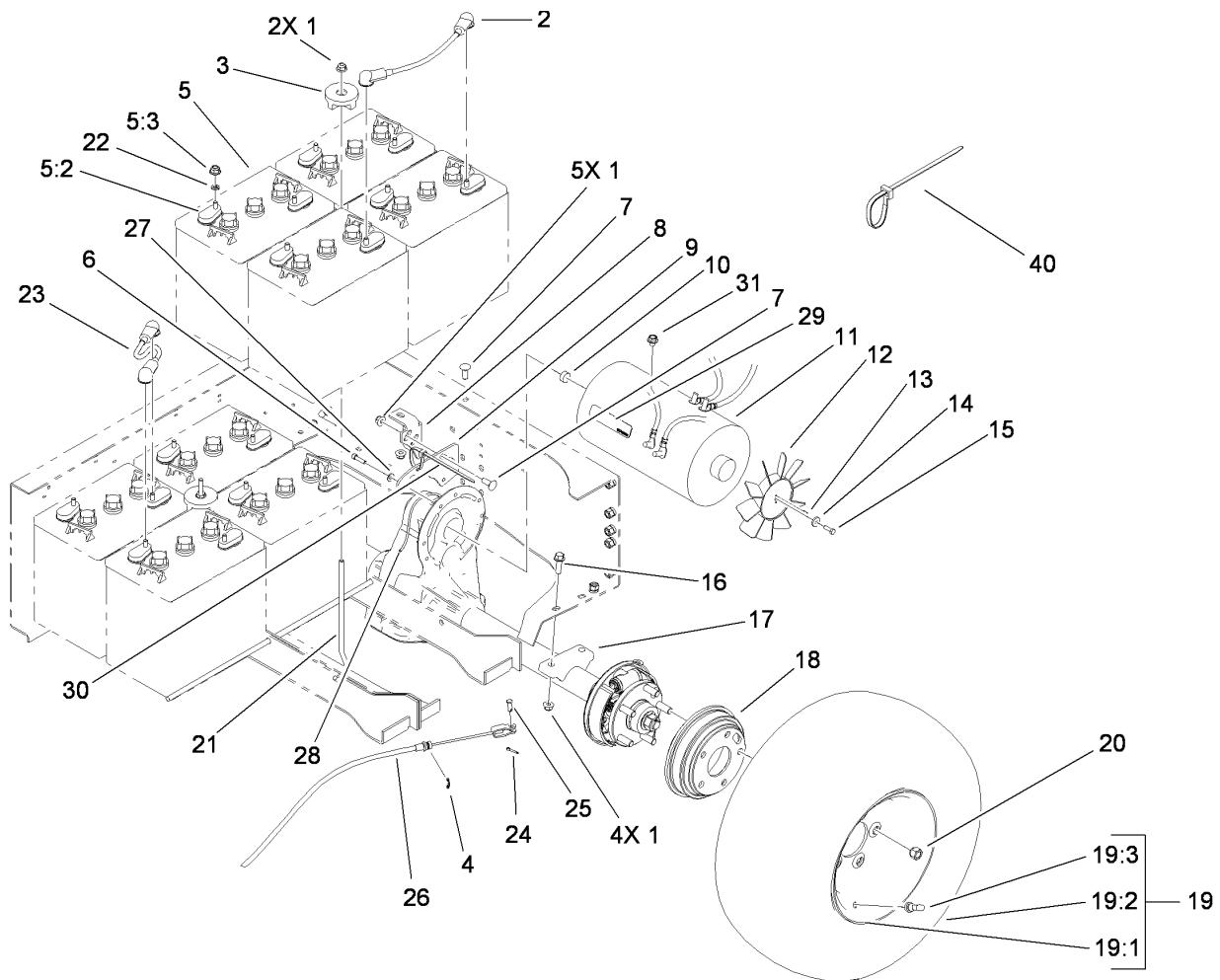
Ref.	Part Number	Qty.	Description	Ref.	Part Number	Qty.	Description
1	104-7290	2	Tire And Wheel ASM	21	254-107	2	Cup-Bearing, Tapered
1:1	104-7288	1	Wheel	22	108-7019	2	Seal-Shaft
1:2	104-7289	1	Tire	23	104-6809	2	Hub
1:3	232-27	1	Stem-Valve	24	104-6891	2	Rotor
2	3296-23	2	Nut-Lock, NI	25	3274-55	8	Screw-HSBH
3	256-115	2	Washer-Thrust	26	112-3311	2	Clip-Hose
4	112-3167	1	Spindle-RH	27	112-3150	1	Caliper-LH
5	115-7654	2	Tie Rod	27:1	107-0708	1	Friction Pad And Pin Kit
6	99-7499	2	Sleeve-Kingpin	27:2	112-3152	1	Spring-Rattle, Anti
7	302-5	4	Fitting-Grease	28	112-3151	1	Caliper-RH
8	325-20	2	Screw-HH	28:1	107-0708	1	Friction Pad And Pin Kit
9	112-3166	1	Spindle-LH	28:2	112-3152	1	Spring-Rattle, Anti
10	3272-7	4	Pin-Cotter	29	323-6	4	Screw-HH
11	10-6830	10	Stud-Type, Drive	30	3253-21	4	Washer-Lock
12	242-50	10	Nut-Lug	31	112771-03	2	LH Ball Joint ASM
13	241-119	2	Cap-Dust	31:2		1	Joint-Ball, LH ●
14	3220-7	2	Nut-Jam	31:2:1	915031	1	Nut
15	93-0309	2	Washer-Tab	32	3218-21	2	Nut-Jam
16	93-0307	2	Nut-Lock, Retainer	33	3220-11	2	Nut-Jam
17	3272-12	2	Pin-Cotter	34	112772-03	2	RH Ball Joint ASM
18	254-94	2	Bearing-Cone, Tapered	34:2		1	Joint-Ball, RH ●
19	254-72	2	Bearing-Cup, Tapered	34:2:1	915031	1	Nut
20	254-106	2	Cone-Bearing, Tapered				

● Not serviced separately



Controller Assembly

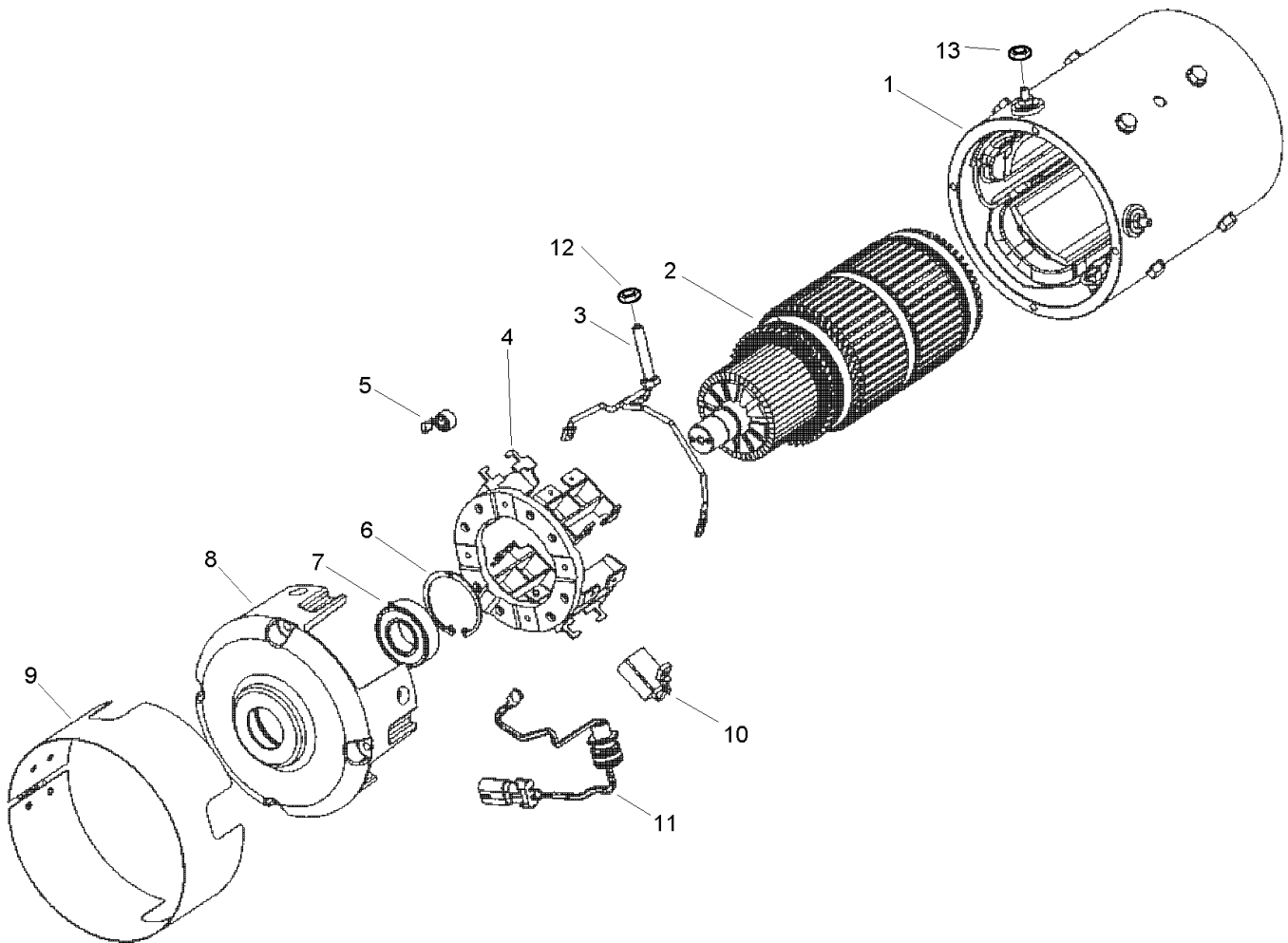
<i>Ref.</i>	<i>Part Number</i>	<i>Qty.</i>	<i>Description</i>	<i>Ref.</i>	<i>Part Number</i>	<i>Qty.</i>	<i>Description</i>
1	3231-22	2	Screw-CARR	16	104-7138	1	Cover-Controller
2	107-0394	3	Washer-Flat	17	100-1719	1	Screw-Flange
3	107-0380	3	Nut-HHF	18	3234-33	2	Screw-HHF
4	104-7320	1	Fuse	19	117-4700	1	Harness-Wire, Mid Duty Elect
5	104-8301	3	Nut-Flange, NI	19:2	100-4918	1	Diode
6	94-5582	1	Alarm-Audio	20	107-0740	1	Cable-Battery, Positive
6:1	104-5107	1	Nut-Plastic, Knurled	21	107-0741	1	Cable-Battery, Positive
7	32149-8	2	Nut-Keps	22	107-0742	1	Cable-Battery, Negative
8	104-7201	6	Nut-HF	23	32160-130	1	Connector
9	321-15	4	Screw-HH	24	107-0737	1	Harness-Wire, Battery Cable
10	110-2569	1	Controller-Sevcon	25	107-0286	1	Isolator
11	3231-4	1	Screw-CARR	27	107-0285	4	Spacer
12	104-7137-03	1	Mount-Controller	28	3290-379	2	Tie-Cable
13	3255-9	1	Washer-Lock				
14	32103-3	1	Nut-Wing				
15	104-7136	1	Contactora-48V				



Battery and Transaxle Assembly

Ref.	Part Number	Qty.	Description	Ref.	Part Number	Qty.	Description
1	104-8301	11	Nut-Flange, NI	18	104-6500	2	Drum-Brake
2	107-0739	1	Cable-Battery, Positive	19	104-7290	2	Tire And Wheel ASM
3	104-7149	2	Hold Down ASM	19:1	104-7288	1	Wheel
4	32120-47	2	Ring-Retaining, External	19:2	104-7289	1	Tire
5		8	Battery-Trojan T145 ●	19:3	232-27	1	Stem-Valve
5:2	107-0289	2	Cover-Terminal, Battery	20	242-50	10	Nut-Lug
5:3	107-0388	2	Nut	21	104-7339	2	Rod-Battery
6	3274-26	6	Screw-HSH ●	22	107-0280	16	Washer-Lock
7	3231-22	5	Screw-CARR	23	107-0738	6	Cable-Battery, Positive
8	104-7249-03	1	Bracket-Support	24	3272-10	2	Pin-Cotter
9	104-7305-03	1	Plate-Mount, Transaxle	25	283-62	2	Pin-Clevis
10	112-3399	1	Damper-Rubber	26	110-2647	2	Cable-Brake, Park
11	104-7335	1	Motor-Electric	27	3256-22	6	Washer-Flat
12	107-0259	1	Fan-10 Blade, Clockwise	28	110-1872	1	Hose-Fuel
13	32121-68	2	Pin-Roll	29	107-0356	1	Decal-Motor
14	73-3580	1	Washer	30	3290-379	12	Tie-Cable
15	3274-8	1	Screw-HSH	31	107-0376	1	Screw-HSFH
16	3234-24	4	Screw-HHF	40	3290-378	2	Tie-Cable
17	114-8330	1	Transaxle-Electric				

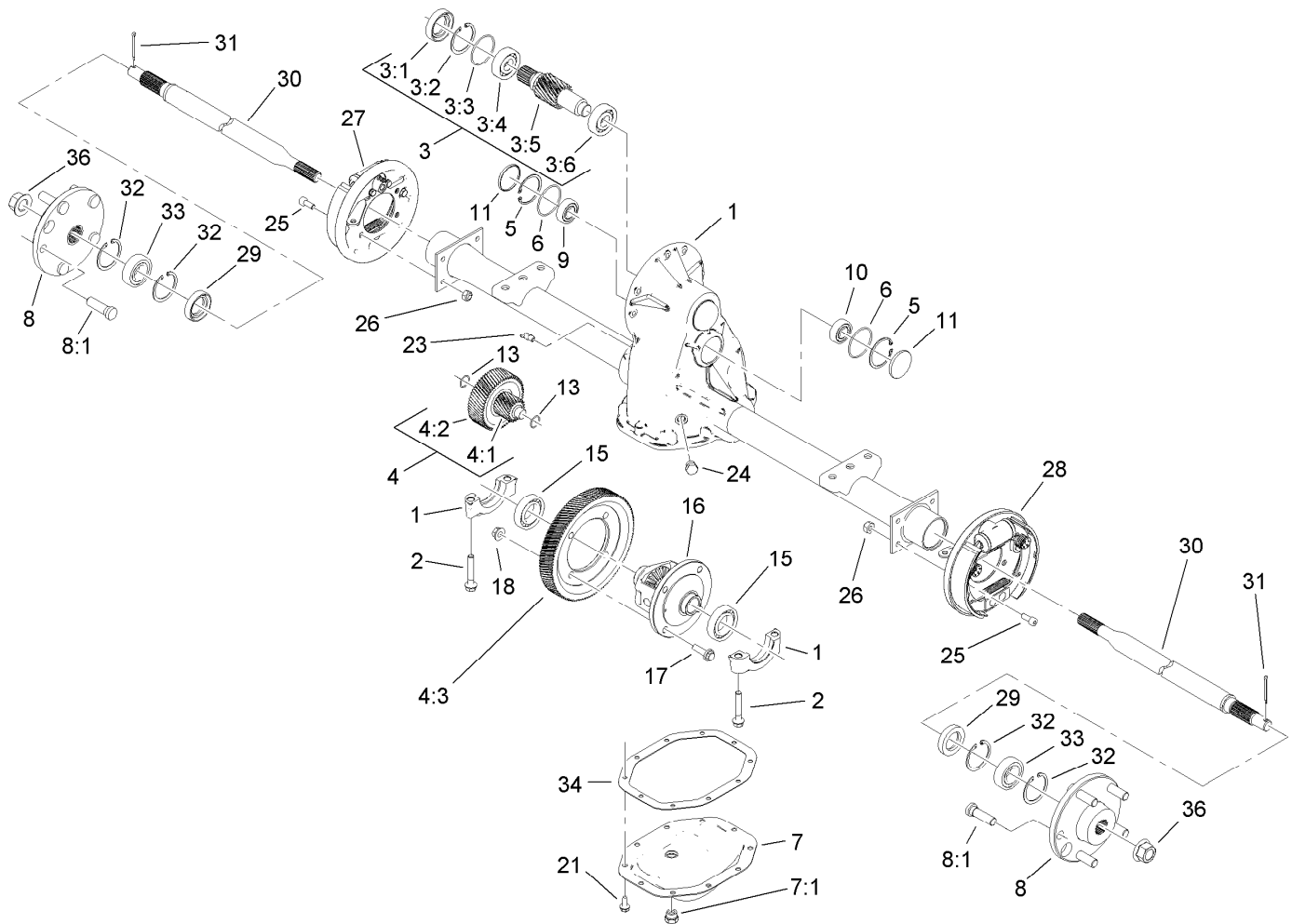
● Not serviced separately



Electric Motor Assembly No. 104-7335

<i>Ref.</i>	<i>Part Number</i>	<i>Qty.</i>	<i>Description</i>
1		1	Frame And Field ASM ●
2		1	Armature ASM ●
3	108-1151	2	Brush Lead ASM
4	108-1152	1	Brush Box ASM
5	108-1153	8	Spring-Brush
6	108-1154	1	Ring-Retaining
7	108-1155	1	Bearing
8	108-1156	1	Head-Commutator
9	108-1157	1	Headband ASM
10	108-1158	8	Brush
11	108-1159	1	Thermal Sensor ASM
12	3218-13	2	Nut-Jam, Brass
13	3218-14	2	Nut-Jam, Brass

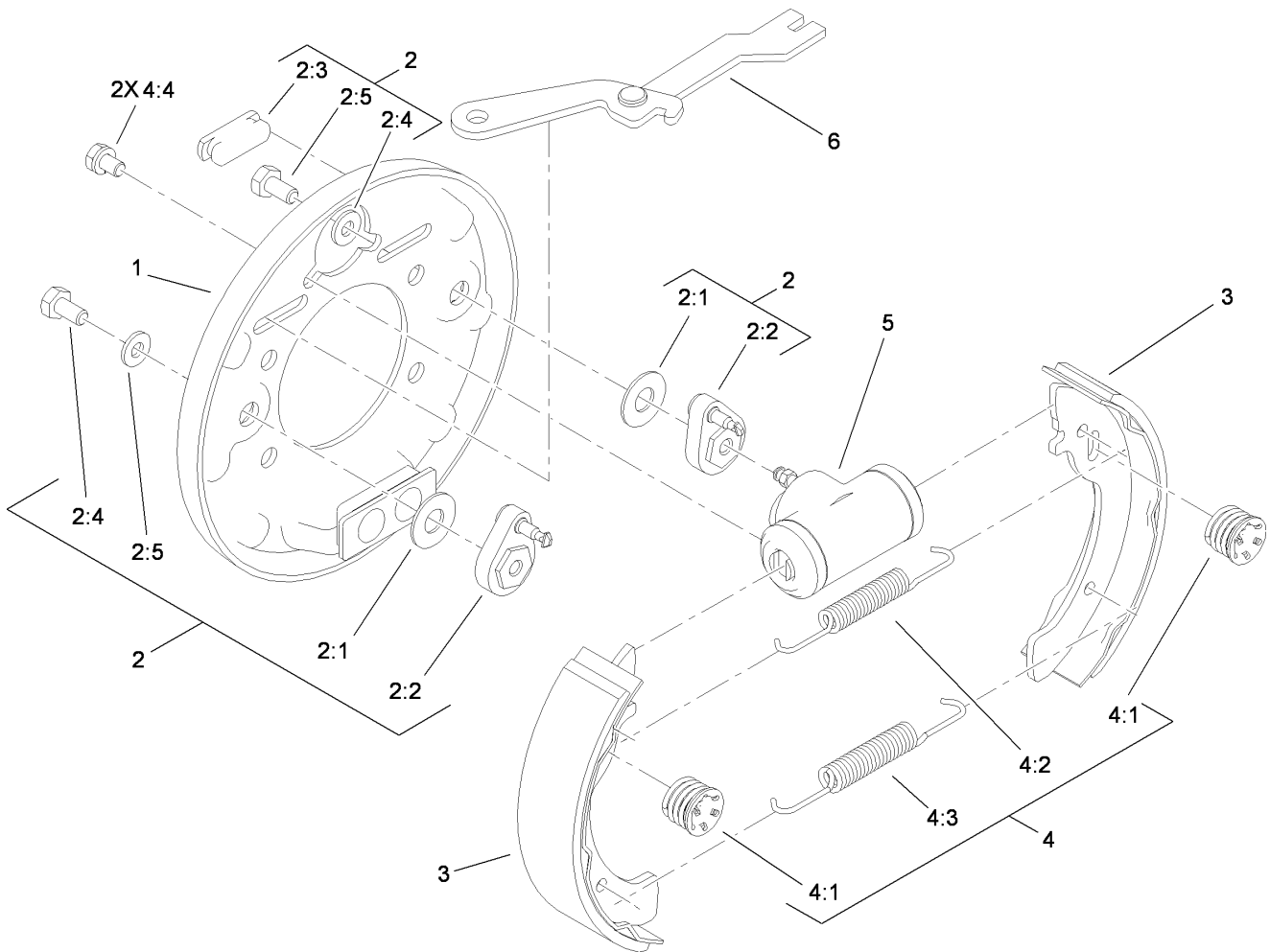
● Not serviced separately



Electric Transaxle Assembly No. 114-8330

Ref.	Part Number	Qty.	Description	Ref.	Part Number	Qty.	Description
1		1	Transaxle ASM ●	11	108-2408	2	Plug-Cap, End
2	108-2401	4	Bolt-Cap, Bearing	13	108-2410	2	O-Ring
3	115-2185	1	Input Shaft Kit	15	108-2411	2	Bearing-Ball
3:1	108-2403	1	Seal-Oil	16	112-3138	1	Differential ASM
3:2	108-2404	1	Ring-Retaining	17	108-2413	4	Screw-Hex
3:3	108-2405	1	O-Ring	18	108-2414	4	Nut-Lock
3:4		1	Bearing-Ball ●	21	108-2427	10	Screw-Tapping
3:5		1	Shaft-Input ●	23	108-2428	1	Elbow-90 Degree
3:6		1	Bearing-Ball ●	24	108-2429	1	Plug-HH
4	108-2409	1	Internal Gear Kit	25	112-3139	8	Screw-HSH
4:1		1	Shaft-Input ●	26	108-2418	8	Nut-Lock
4:2		1	Gear-Intermediate ●	27	114-8332	1	LH Brake ASM
4:3	110-2541	1	Gear-Drive, Final	28	114-8331	1	RH Brake ASM
5	108-2404	2	Ring-Retaining	29	112-3140	2	Seal-Oil
6	108-2405	2	O-Ring	30	112-3141	2	Shaft-Axle
7	108-2416	1	Cover Kit	31	3272-12	2	Pin-Cotter
7:1	108-2415	1	Plug-HH	32	108-2424	4	Ring-Retaining
8	112-3136	2	Hub ASM	33	108-2425	2	Bearing-Ball
8:1	112-3137	1	Bolt-Wheel	34	108-3148	1	Gasket
9	108-2406	1	Bearing-Ball	36	112-3142	2	Nut-HF
10	108-2407	1	Bearing-Ball				

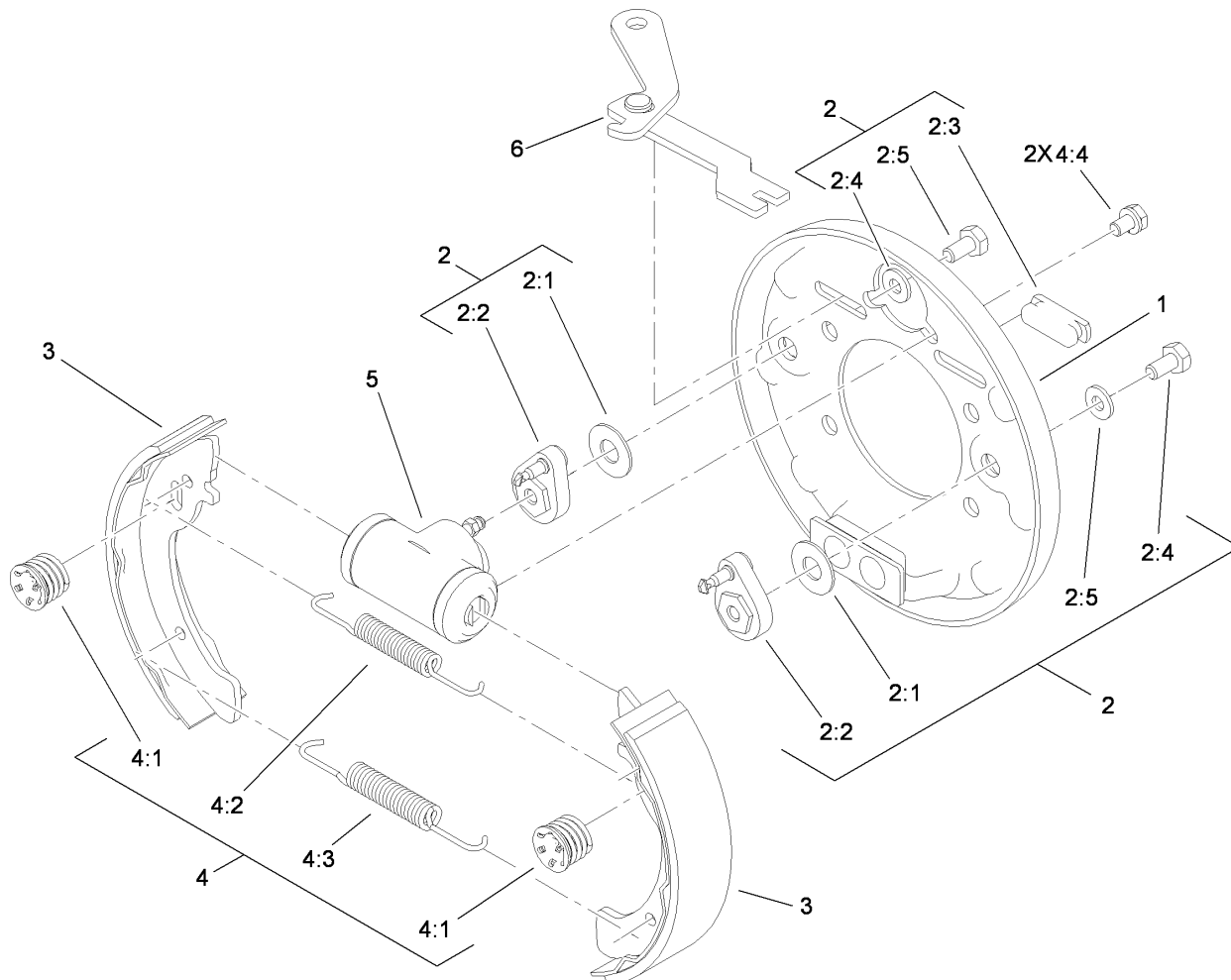
● Not serviced separately



LH Rear Brake Assembly No. 114-8332

Ref.	Part Number	Qty.	Description
1	100-8586	1	Backing Plate ASM
2	104-6820	1	Adjuster Kit
2:1	100-8585	2	Washer-Bellville
2:2	100-8588	2	Adjuster Lever ASM
2:3	100-8584	2	Cover-Dust
2:4		2	Washer ●
2:5		2	Bolt ●
3	104-6818	4	Shoe And Lining Kit
4	104-6819	1	Hardware Kit
4:1	100-8583	2	Shoe Hold Down Spring ASM
4:2	100-8581	2	Spring-Upper
4:3	100-8582	2	Spring-Lower
4:4		2	Bolt And Washer ●
5	114-8333	1	Wheel Cylinder ASM
6	104-6825	1	LH Park Brake Lever ASM

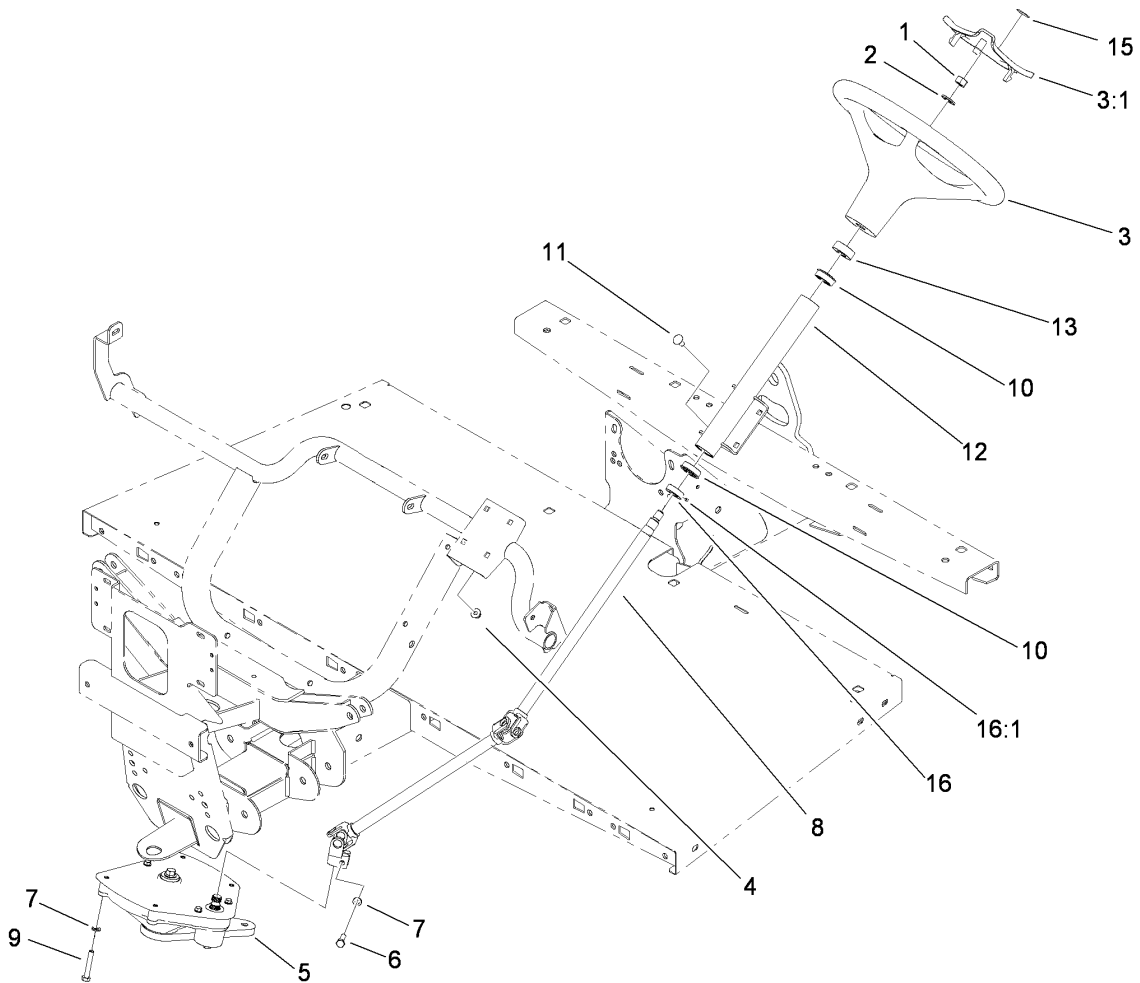
● Not serviced separately



RH Rear Brake Assembly No. 114-8331

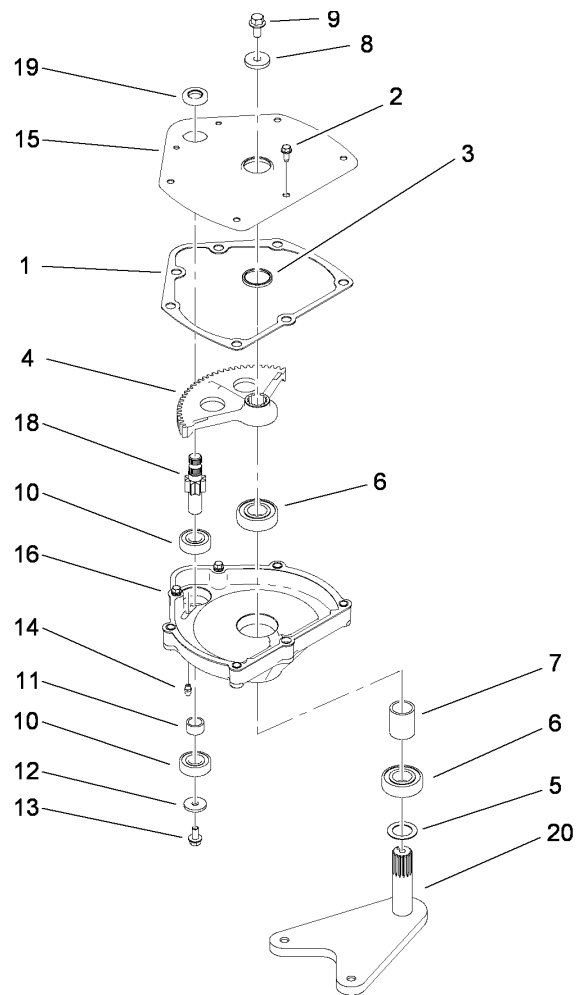
Ref.	Part Number	Qty.	Description
1	100-8586	1	Backing Plate ASM
2	104-6820	1	Adjuster Kit
2:1	100-8585	2	Washer-Bellville
2:2	100-8588	2	Adjuster Lever ASM
2:3	100-8584	2	Cover-Dust
2:4		2	Washer ●
2:5		2	Bolt ●
3	104-6818	4	Shoe And Lining Kit
4	104-6819	1	Hardware Kit
4:1	100-8583	2	Shoe Hold Down Spring ASM
4:2	100-8581	2	Spring-Upper
4:3	100-8582	2	Spring-Lower
4:4		2	Bolt And Washer ●
5	114-8333	1	Wheel Cylinder ASM
6	104-6826	1	RH Park Brake Lever ASM

● Not serviced separately



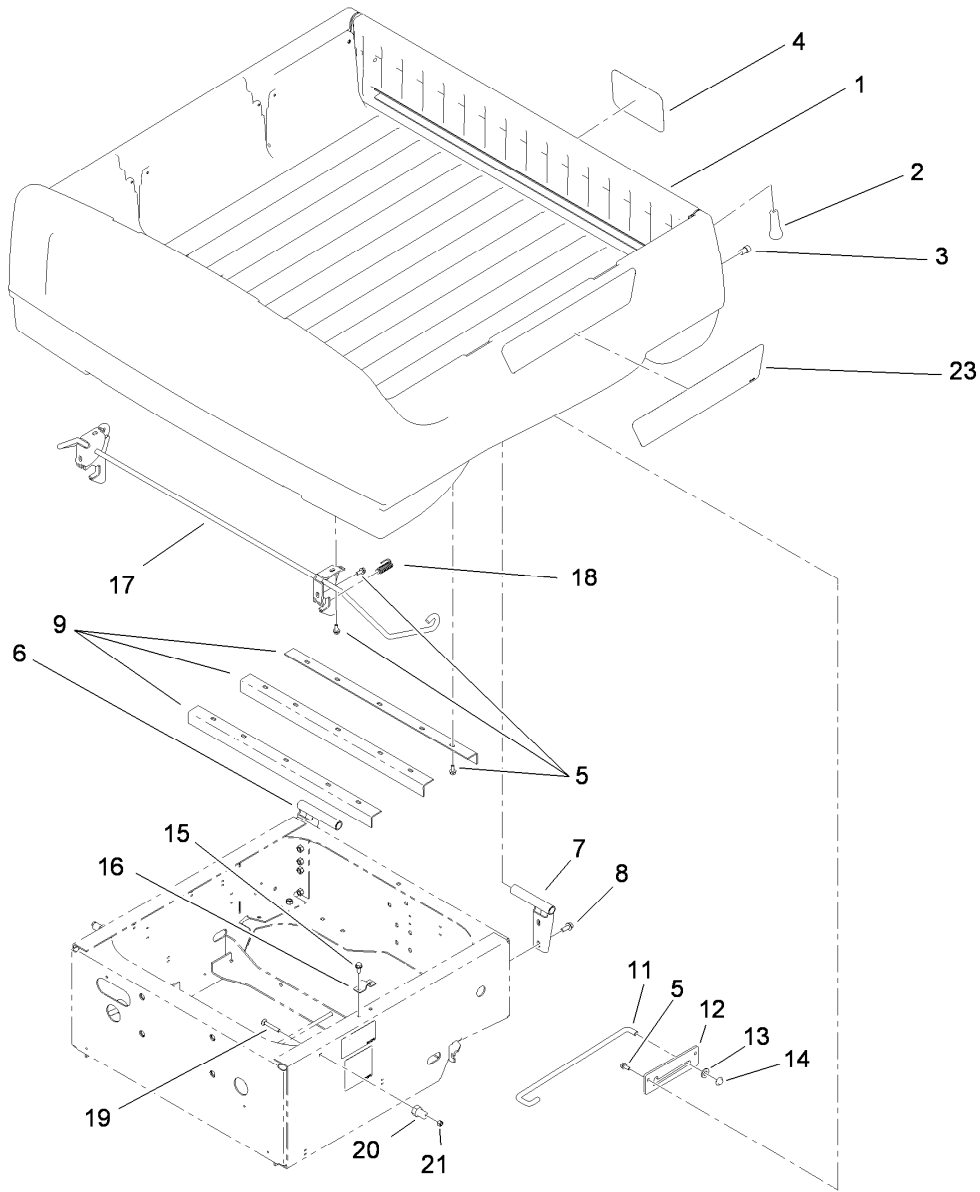
Upper Steering Assembly

Ref.	Part Number	Qty.	Description
1	110-8815	1	Nut-Hex
2	3256-26	1	Washer-Flat
3	98-1471	1	Wheel-Steering
3:1	98-1468	1	Cover-Wheel, Steering
4	104-8300	4	Nut-Flange, NI
5	112-3130	1	Steering Box ASM
6	48-7730	1	Screw-HH
7	3253-4	5	Washer-Lock
8	112-3355	1	Steering Shaft
9	112-3305	4	Screw-HH
10	112-3262	2	Bearing
11	3230-1	4	Bolt-CARR
12	112-3264-03	1	Column ASM
13	21-9260	1	Cover-Dust
15	98-1459	1	Decal
16	111383	1	Collar
16:1	3245-32	1	Screw-HSH



Steering Box Assembly No. 112-3130

<i>Ref.</i>	<i>Part Number</i>	<i>Qty.</i>	<i>Description</i>
1	94-2135	1	Gasket
2	32144-10	3	Screw-HWH
3	103118	1	Seal
4	99-7843	1	Sector-Gear
5	3256-42	1	Washer-Flat
6	251-82	2	Bearing-Ball
7	112-2917	1	Spacer
8	104-6563	1	Washer-Stepped
9	104-7156	1	Screw-HHF
10	38-7820	2	Bearing-Ball
11	94-2217	1	Spacer-Shaft, Input
12	1-613235	1	Washer
13	98-3498	1	Screw-HH
14	302-5	1	Fitting-Grease
15	112-2918-03	1	Cover-Housing, Steering
16	114-8309	1	Housing-Steering
18	115-7726	1	Gear-Pinion
19	99-7657	1	Seal-Oil
20	112-3096-03	1	Pitman Arm ASM

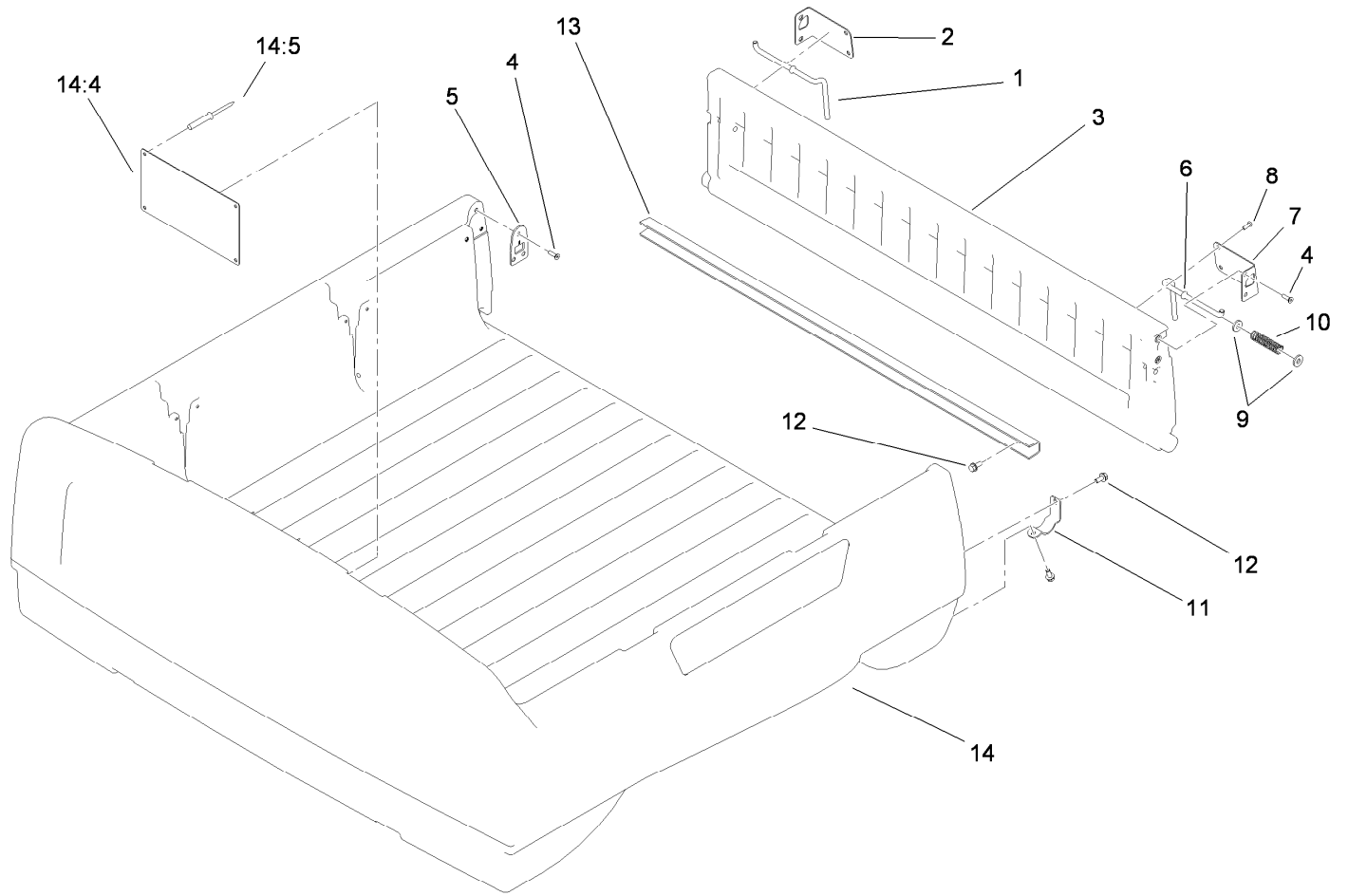


Box and Tailgate Installation Assembly

Ref.	Part Number	Qty.	Description
1		1	Box And Tailgate ASM ●
2	99-7984	2	Knob-Soft Grip, Push-On
3	115-7986	2	Bumper-Rubber
4	104-7213	1	Decal
5	3234-5	19	Screw-HHF
6	99-7309-03	1	RH Pivot Bracket ASM
7	99-7308-03	1	LH Pivot Bracket ASM
8	105-6245	4	Screw-Tapping
9	99-7864-03	3	Brace-Box
11	99-7895	1	Rod-Prop
12	99-7894	1	Bracket-Rod, Prop

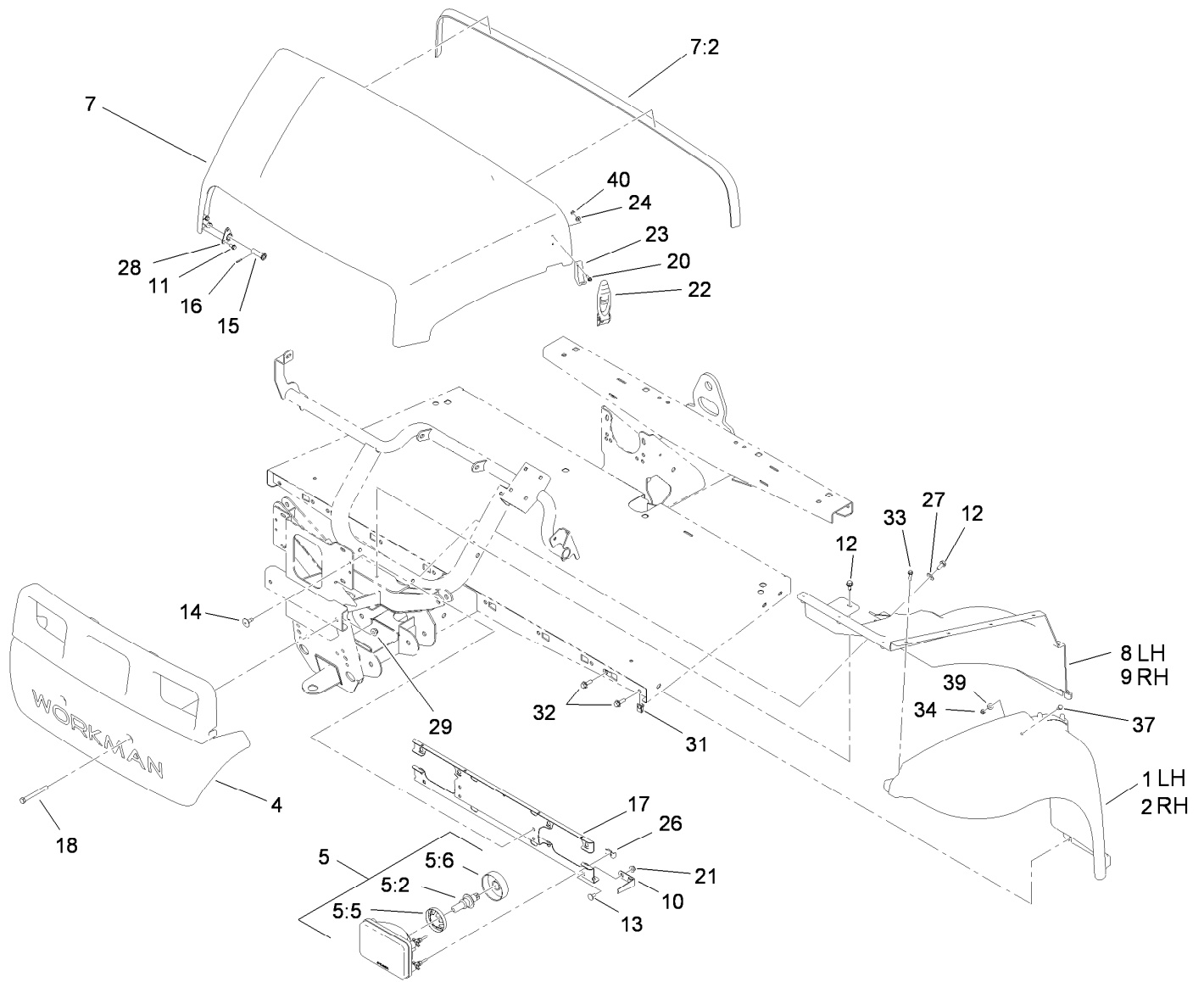
Ref.	Part Number	Qty.	Description
13	3256-26	1	Washer-Flat
14	32112-14	1	Nut-Push
15	32104-32	2	Screw-HWH
16	99-7896	1	Bracket-U, Prop Rod
17	115-2385	1	Rod-Latch
18	5-7290	2	Spring-Tension
19	3230-7	2	Screw-CARR
20	104-7248	2	Pin-Latch
21	3296-29	2	Nut-Lock, NI
23	115-2415	2	Decal

● Not serviced separately



Box and Tailgate Assembly

<i>Ref.</i>	<i>Part Number</i>	<i>Qty.</i>	<i>Description</i>	<i>Ref.</i>	<i>Part Number</i>	<i>Qty.</i>	<i>Description</i>
1	99-7860	1	Rod-Latch, Right	9	99-7861	4	Washer-Latch
2	99-7858	1	Bracket-Tailgate Latch, Right	10	61-8880	2	Spring
3	115-7640	1	Tailgate ASM	11	99-7286	2	Bracket-Pivot, Tailgate
4	99-7334	10	Screw	12	3234-5	10	Screw-HHF
5	114-2749	2	Striker Plate	13	99-7867	1	Channel-Tailgate
6	99-7859	1	Rod-Latch, Left	14	115-7638	1	Box ASM
7	99-7857	1	Bracket-Tailgate Latch, Left	14:4	99-7954	1	Decal-No Riders
8	99-7335	4	Screw	14:5	3290-415	4	Rivet



Hood and Fender Assembly

Ref.	Part Number	Qty.	Description	Ref.	Part Number	Qty.	Description
1	112-3371	1	Fender-LH	17	119-0841-03	1	Bracket-Headlight
2	112-3370	1	Fender-RH	18	115-7660	2	Screw-HHF
4	112-3365	1	Bumper	20	32105-13	4	Screw-HWH
5	115-7617	2	Headlight ASM	21	32128-20	2	Nut-HF
5:2	115-7618	1	Bulb-24V	22	115-2416	2	Latch-Rubber
5:5	115-7667	1	Retainer-Headlight	23	103-2897	2	Latch-Catch
5:6	115-7668	1	Boot-Headlight	24	3256-14	4	Washer-Flat
7	115-7636	1	Hood ASM	26	115-2408	6	Clip-Speed
7:2	115-7635	1	Seal-Foam	27	3256-71	2	Washer-Flat
8	112-3369	1	Well-Fender, LH	28	112-3308	2	Retainer-Pin
9	112-3368	1	Well-Fender, RH	29	104-8301	2	Nut-Flange, NI
10	112-3373	2	Keeper-Pivot, Hood	31	112-3306	10	Nut
11	46-8093	6	Screw-Plastite	32	3234-29	10	Screw-HHF
12	32104-32	4	Screw-HWH	33	46-8091	20	Screw-HWH
13	3230-18	2	Screw-CARR	34	3296-42	2	Nut-Lock, NI
14	146489	4	Rivet	37	321-39	2	Screw-HH
15	117-5094	2	Pin-Clevis	39	3256-22	2	Washer-Flat
16	32121-50	2	Pin-Spring	40	3296-2	4	Nut-Lock, NI

Attachments and Accessories

For 07299 Workman MDE Utility Vehicle

Product Name	Model/Part
Rear Lift Kit	07261
Electric Bed Lift Kit	07263
Roll-Over Protection System	07276
Receiver Hitch Kit	07278
Stake Side Kit	07290
Portable Refreshment Center	07298
Canopy Kit	07324
Solid Windshield Kit	07325
Folding Windshield Kit	07326
Snow Plow	07327
Hard Cab	07328
Heavy-Duty Bumper Kit	07329
Rear Lift Kit	07334
Vinyl Enclosure	07337
Heavy-Duty Brush Guard and Bumper Kit	07338
Sliding Window Door Kit	07352
Fixed Window Door Kit	07353
Brake and Signal Light Kit.....	107-8020
20 foot Cordset Kit (DC).....	108-3071
Brake and Signal Light Kit.....	115-7749
48V Battery Charger	115-7785
Lift Wire Harness Kit	115-7823
Horn Kit.....	115-7827
Cord-AC (US/CANADA)	119-0661

Notes:

Notes:

Notes:



Count on it.