



Count on it.

Parts Catalog

MH-400SH2 Material Delivery Unit

Model No. 44931—Serial No. 311000001 and Up

Ordering Replacement Parts

To order replacement parts, please supply the part number, the quantity, and the description of each part desired.

Understanding Reference Numbers

Each identified part in an illustration has a reference number. The reference number for a part also appears in the parts list, along with other information about the part.

This catalog uses two special reference number formats, one to indicate parts in a service assembly and another to indicate the quantity of a given part in an illustration.

Service Assembly Reference Numbers

Parts in service assemblies have reference numbers in the form a:b. The a represents the reference number of the entire service assembly and the b represents a sequential number unique to each part within the service assembly.

For example, a wheel assembly might be identified by reference number 6, the tire by 6:1, the valve by 6:2, and the wheel by 6:3. When you order the assembly identified by reference number 6, you receive all parts identified by reference numbers 6:1, 6:2, and 6:3. However, you may also order any part individually. Reference numbers of this type appear in illustration and in parts lists.

Reference Numbers Indicating Quantity

In an illustration, if a reference number indicates more than one part, the reference number has the form nX y. The n represents the quantity of the part, the X is the multiplication symbol, and the y represents the reference number.

For example, in an illustration, the reference number 2X 37 means that two of the parts identified by reference number 37 are indicated.

List of Abbreviations

AR: as required

ASM: assembly

BBC: blade brake control

BHTF: button head thread forming

CARR: carriage

CCW: counter clockwise

CW: clockwise

DEG: degrees

DPA: Dual Point Adjustment

ECM: electronic control module

EXT: external

FH: flat head

GA: gauge

HD: heavy-duty

HF: hex flange

HH: hex head

HHF: hex head flange

HHFTF: hex head flange thread forming

HJ: hex jam

HLH: hex lag head

HOC: height-of-cut

HSBH: hex socket button head

HSFH: hex socket flat head

HSH: hex socket head

HWH: hex washer head

HWHTF: hex washer head thread forming

HYD: hydraulic

LH: left hand

LP: Liquid Propane

NI: nylon insert

NPTF: national pipe thread fine

PFH: phillips flat head

PPH: phillips pan head

PPHTF: phillips pan head thread forming

PRH: phillips round head

PTH: phillips truss head

PTO: power-take-off

RH: right hand

ROPS: roll-over protection system

RRB: rear roller brush

SFH: slotted fillister head

SHH: slotted hex head

SHWH: slotted hex washer head

SPH: slotted pan head

SQH: square head

SRH: slotted round head

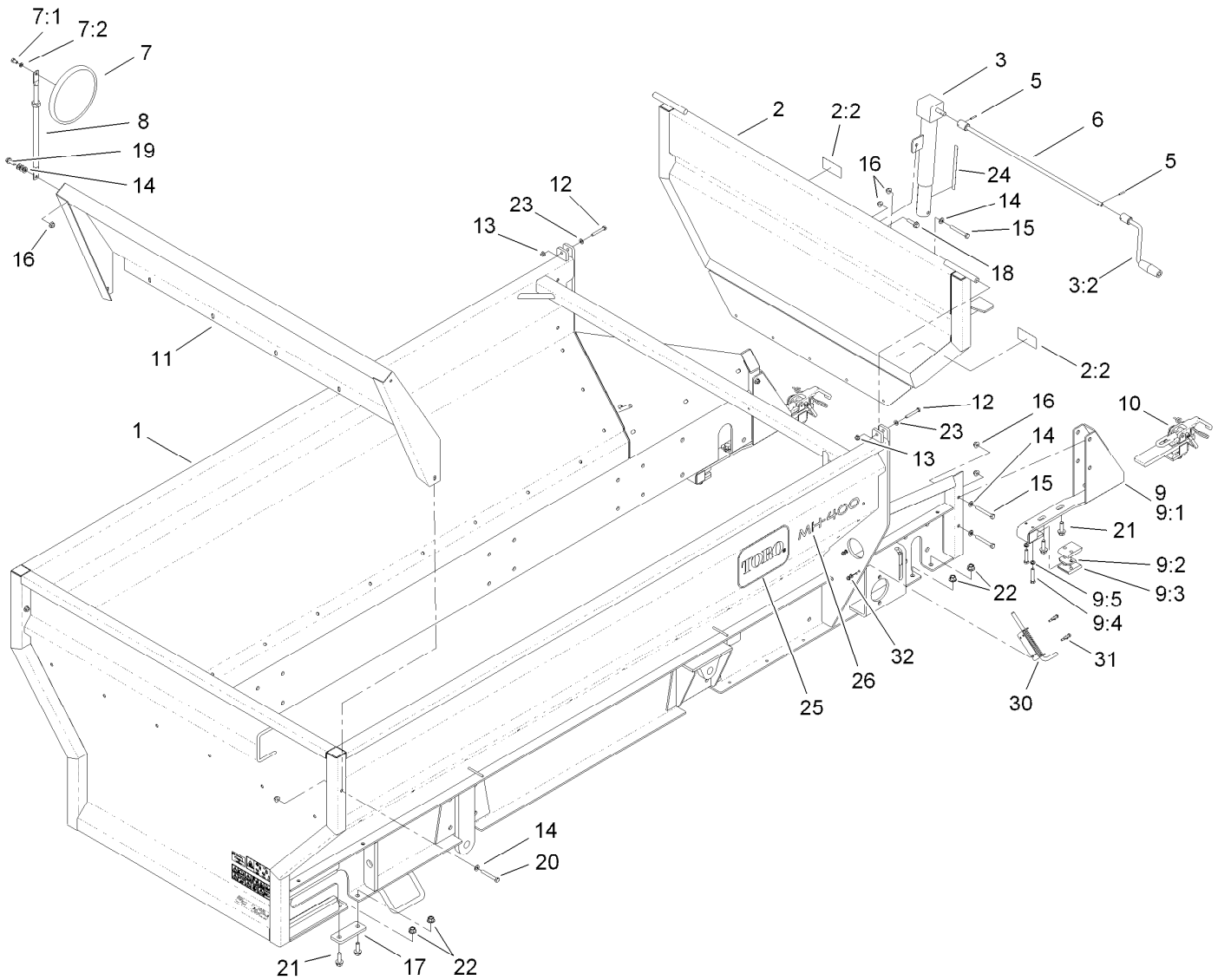
STD: standard

TAP: self tapping

TTH: torx truss head

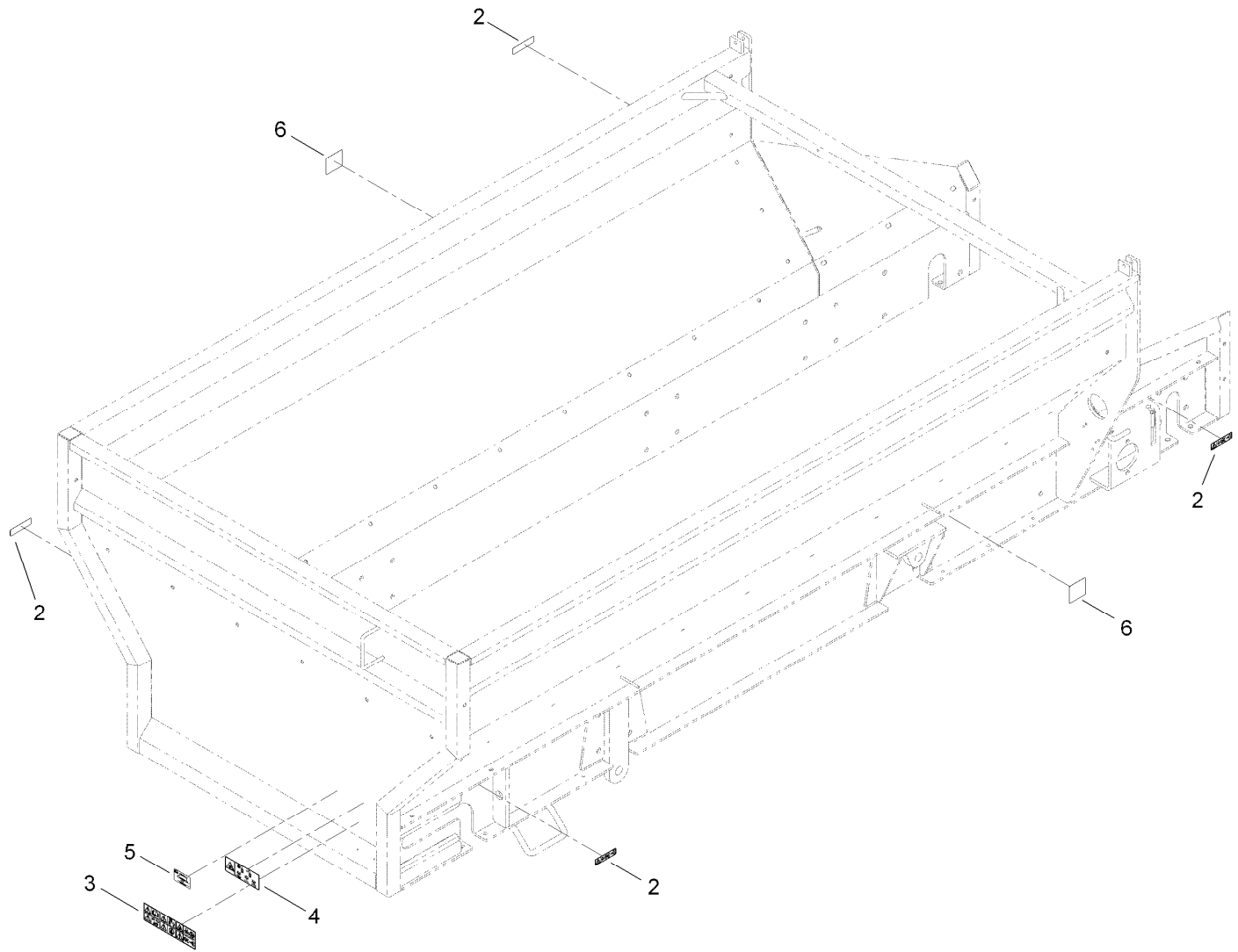
Contents

Box Frame Assembly	4
Box Frame Decal Assembly No. 120-0890	5
Attachment Clamp Assembly No. T36015800.....	6
Guard Assembly	7
Hitch Assembly	8
Belt and Skirting Assembly	9
Skirting Assembly.....	10
Conveyor Assembly	11
Chain Drive Assembly	12
Wheel Assembly	13
RH Shaft Assembly No. 120-0942	14
Hub Assembly No. T54031039	15
LH Brake Assembly No. 120-0818	16
LH Shaft Assembly No. 120-0943	17
RH Brake Assembly No. 120-0819	18
Hydraulic Valve and Manifold Assembly	19
Hydraulic Valve Assembly No. 120-0850	21
Hydraulic Hose and Clamp Assembly	22
Hydraulic Cylinder and Junction Box Manifold Assembly	23
Hydraulic Hose Assembly	24
Hydraulic Guard Box Assembly	25
Hydraulic Motor Assembly No. T0000-5303	26
Electrical Assembly	27
Brake Assembly	28



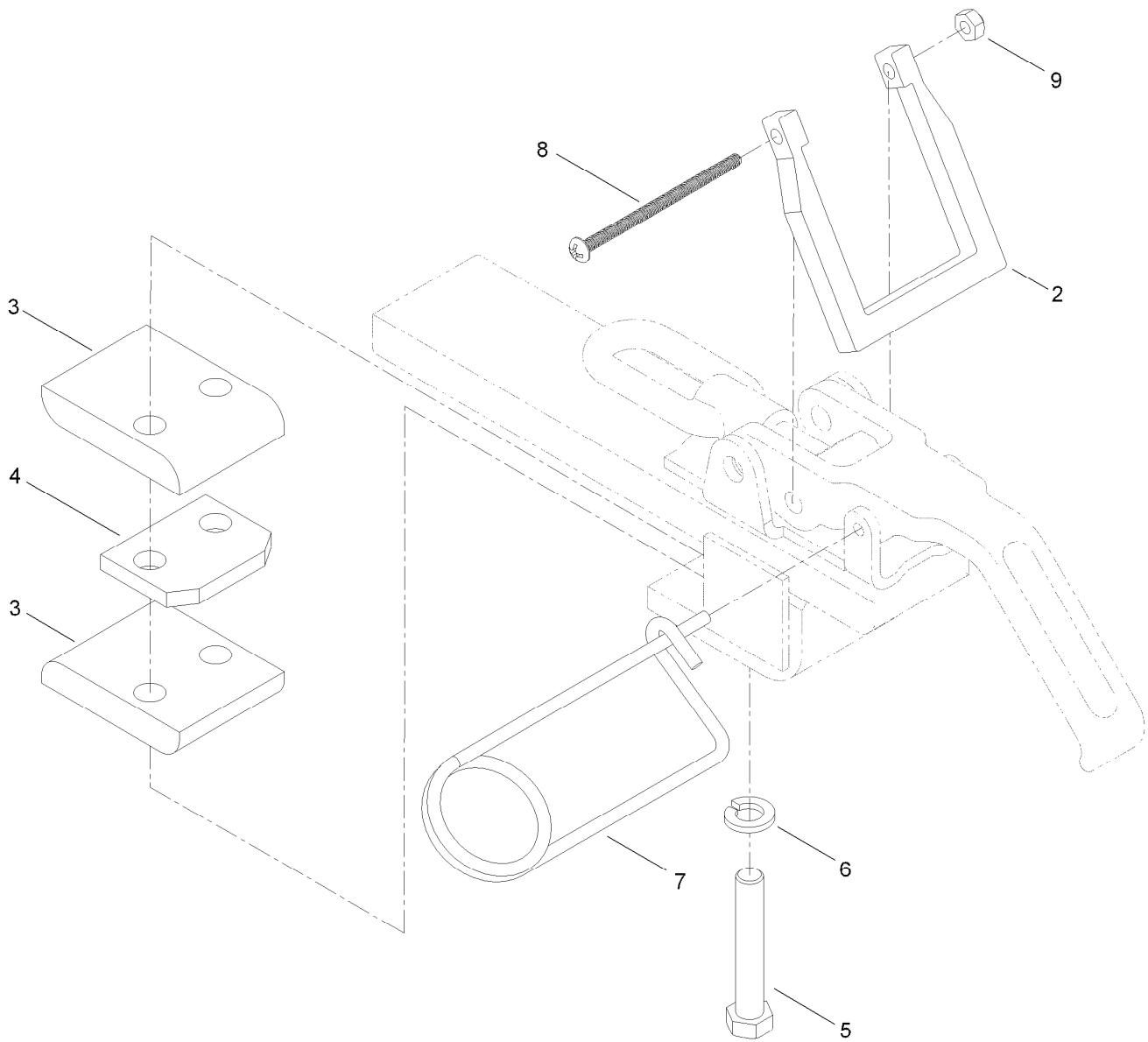
Box Frame Assembly

Ref.	Part Number	Qty.	Description	Ref.	Part Number	Qty.	Description
1	120-0890	1	Box Frame ASM	12	322-11	2	Screw-HH
2	120-0891	1	Tailgate ASM	13	104-8300	2	Nut-Flange, NI
2:2	119-6838	2	Decal-Warning, Conveyor	14	3256-24	10	Washer-Flat
3	T36031200	1	Jack-Tailgate	15	323-14	5	Screw-HH
3:2	T36031210	1	Handle-Crank	16	104-8301	14	Nut-Flange, NI
5	32121-45	2	Pin-Spring	17	T36011650	2	Bar-Bridge
6	T36011220-01	1	Jack Crank ASM	18	114-4681	1	Screw-HHF
7	92-2678	1	Mirror-Convex	19	3234-42	6	Screw-HHF
7:1	322-2	1	Screw-HH	20	323-13	2	Screw-HH
7:2	3253-4	1	Washer-Lock	21	100-6116	8	Screw-HHF
8	T36011560	1	Arm-Mirror	22	99-5107	8	Nut-Lock
9	T36015790	2	Attachment Bracket ASM	23	3256-23	2	Washer-Flat
9:1	119-6872-01	1	Bracket-Attachment	24	119-6869	1	Decal-Tailgate Adjustment
9:2	T01-13489B	1	Tab-Spacer	25	66-6140	3	Decal
9:3	T36015200	2	Bar-Bearing	26	119-6802	3	Decal
9:4	323-10	2	Screw-HH	30	T62021030	2	Latch-Spring
9:5	3253-21	2	Washer-Lock	31	321-6	8	Screw-HH
10	T36015800	2	Attachment Clamp ASM	32	104-7201	8	Nut-HF
11	T36011550-01	1	Sloped Panel ASM				



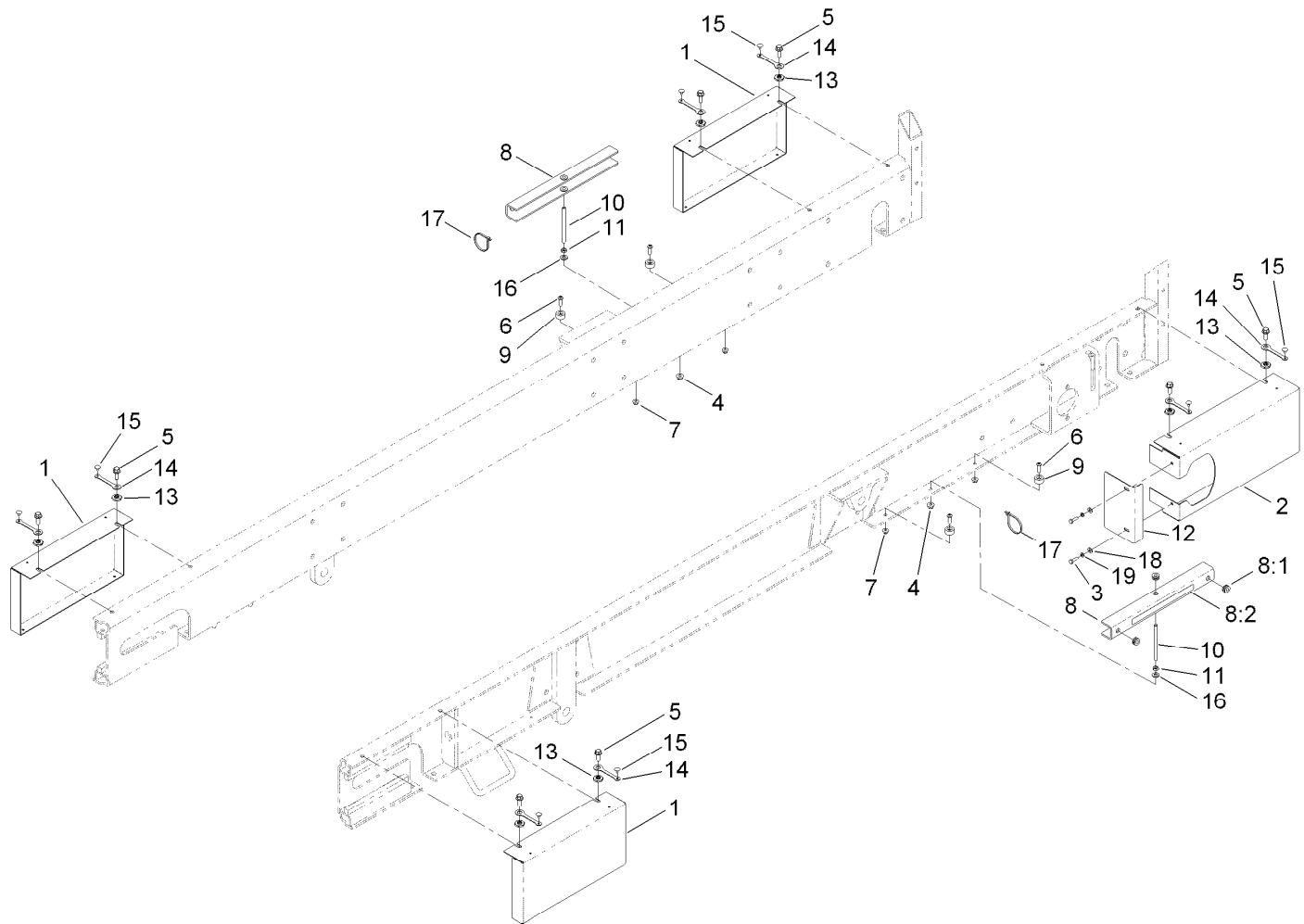
Box Frame Decal Assembly No. 120-0890

<i>Ref.</i>	<i>Part Number</i>	<i>Qty.</i>	<i>Description</i>
2	119-0217	4	Decal-Danger
3	119-6806	1	Decal-Danger, Propass
4	119-6812	1	Decal-Warning, Tipping Hazard
5	119-6833	1	Decal-Max Load
6	93-9899	2	Decal-Warning



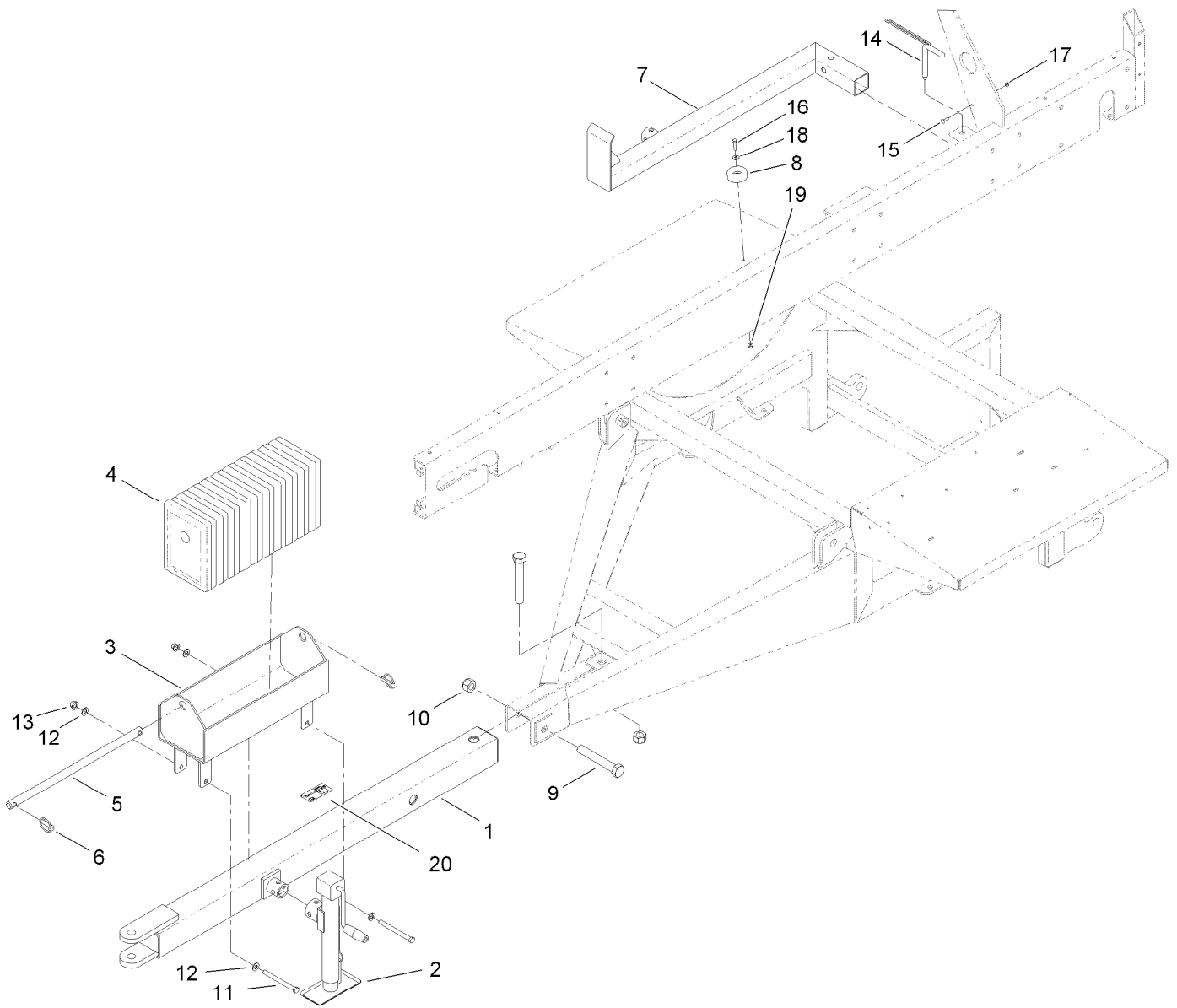
Attachment Clamp Assembly No. T36015800

<i>Ref.</i>	<i>Part Number</i>	<i>Qty.</i>	<i>Description</i>
2	T36015794	1	Lock-Attachment Clamp
3	T36015200	2	Bar-Bearing
4	T01-13489B	1	Tab-Spacer
5	323-11	2	Screw-HH
6	3253-21	2	Washer-Lock
7	T0000-3247	1	Pin-Lock
8	120-0884	1	Screw-PRH
9	3296-2	1	Nut-Lock, NI



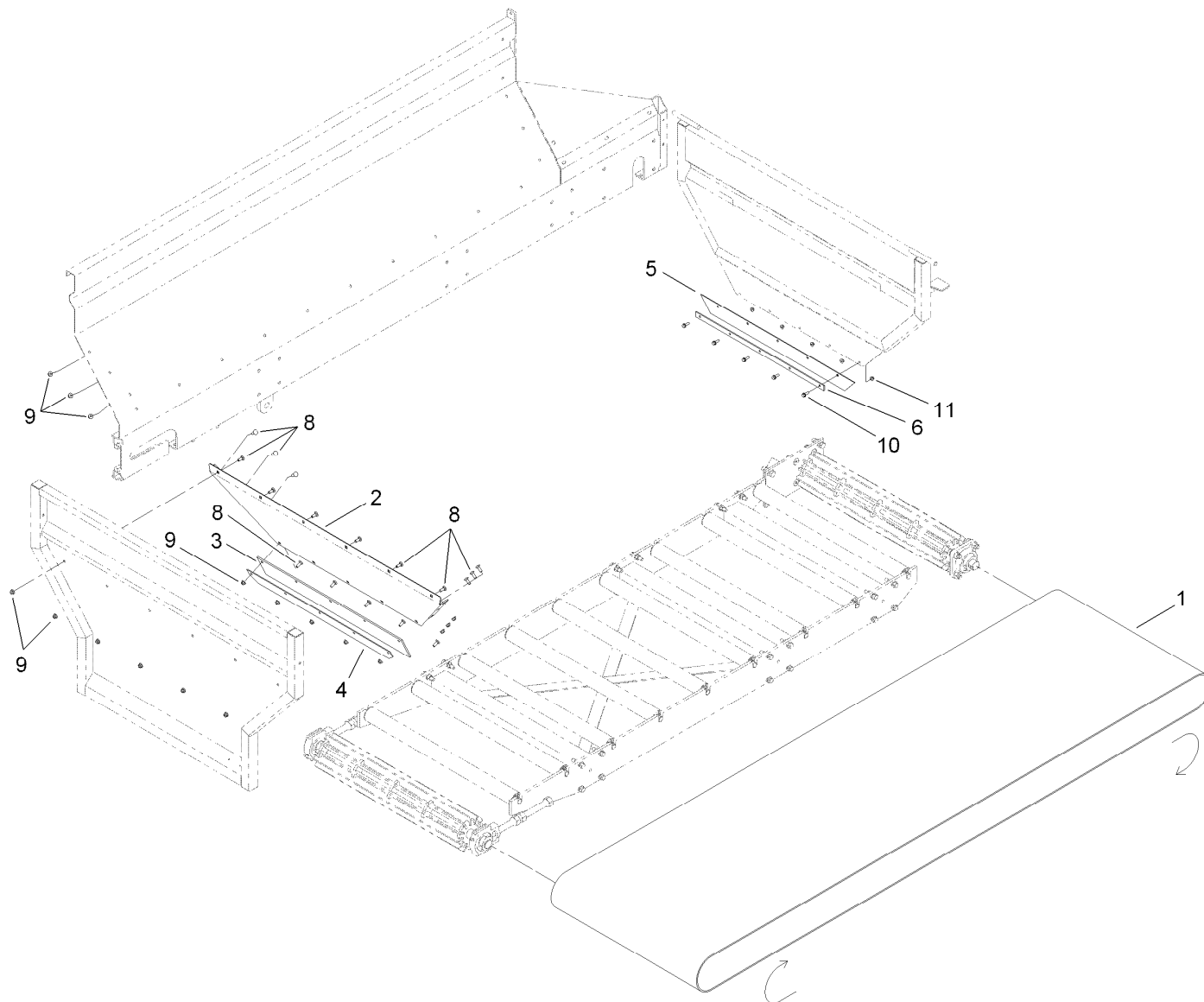
Guard Assembly

<i>Ref.</i>	<i>Part Number</i>	<i>Qty.</i>	<i>Description</i>	<i>Ref.</i>	<i>Part Number</i>	<i>Qty.</i>	<i>Description</i>
1	T36011630-03	3	Guard-Idler	10	T36011590	2	Pin-Lift Cylinder Stop
2	T36011640-03	1	Drive Guard ASM	11	3218-3	2	Nut-Jam
3	321-5	2	Screw-HH	12	T0000-5529-03	1	Guard-Motor, Drive
4	104-8301	2	Nut-Flange, NI	13	117-8347	8	Nut-Shoulder
5	3234-42	8	Screw-HHF	14	117-8339	8	Lanyard-3 Inch
6	3274-104	4	Screw-HSBH	15	146489	8	Rivet
7	104-8300	4	Nut-Flange, NI	16	3256-24	2	Washer-Flat
8	T36011580	2	Lift Cylinder Stop ASM	17	3290-379	2	Tie-Cable
8:1	92-5972	4	Grommet-Rubber	18	3256-22	2	Washer-Flat
8:2	93-9852	1	Decal-Warning	19	3253-3	2	Washer-Lock
9	T0001-3570	4	Spacer-Stop, Lift Cylinder				



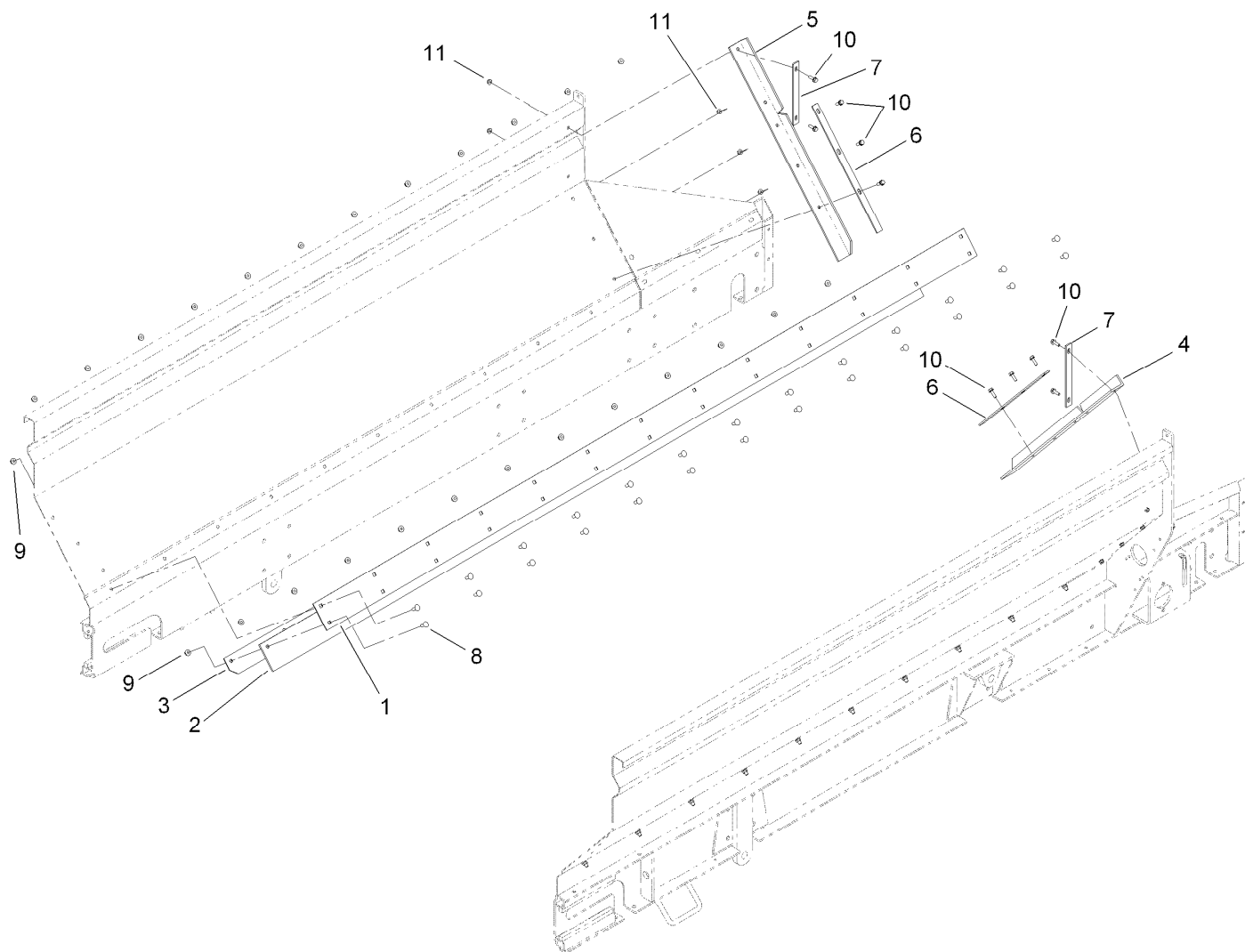
Hitch Assembly

<i>Ref.</i>	<i>Part Number</i>	<i>Qty.</i>	<i>Description</i>	<i>Ref.</i>	<i>Part Number</i>	<i>Qty.</i>	<i>Description</i>
1	T36012112-01	1	Tube-Hitch	12	3256-26	4	Washer-Flat
2	T0000-3423	1	Jack-Sidewind	13	99-5107	2	Nut-Lock
3	T36028000-01	1	Weight Box ASM	14	T36011195	1	Pin ASM
4	119-6860-01	10	Casting-Counterweight	15	3229-2	1	Screw-CARR
5	T36028010-01	1	Shaft-Weight Box	16	322-6	1	Screw-HH
6	283-71	2	Pin-Lynch	17	104-7201	1	Nut-HF
7	T36011190-01	1	Jack Leg ASM	18	3256-3	1	Washer-Flat
8	108-1605	1	Bumper-Recess	19	104-8300	1	Nut-Flange, NI
9	120-0887	2	Screw-HH	20	119-6836	1	Decal-Propass, Weight Case
10	120-0888	2	Nut-HH				
11	325-22	2	Screw-HH				



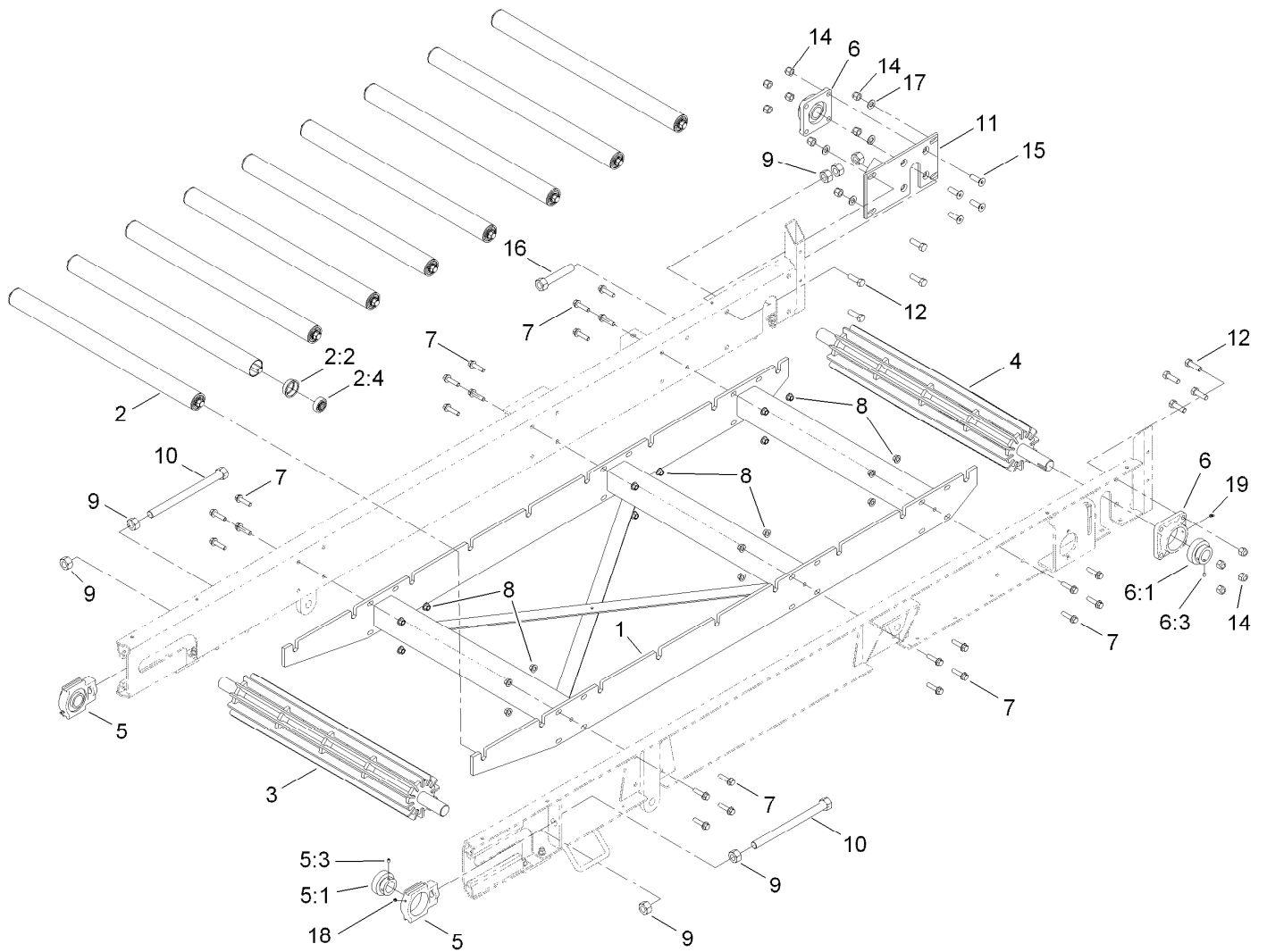
Belt and Skirting Assembly

<i>Ref.</i>	<i>Part Number</i>	<i>Qty.</i>	<i>Description</i>
1	T60191215	1	Belt-Endless
2	T36011525-01	1	Sloped Panel ASM
3	T01-22002B	1	Skirt-Front Seal, Rubber
4	T36011535-01	1	Bar-Front Seal
5	T36013010	1	Seal-Belt
6	T36011230-01	1	Retainer-Belt Seal
8	3231-22	17	Screw-CARR
9	104-8301	17	Nut-Flange, NI
10	3234-29	5	Screw-HHF
11	104-8300	5	Nut-Flange, NI



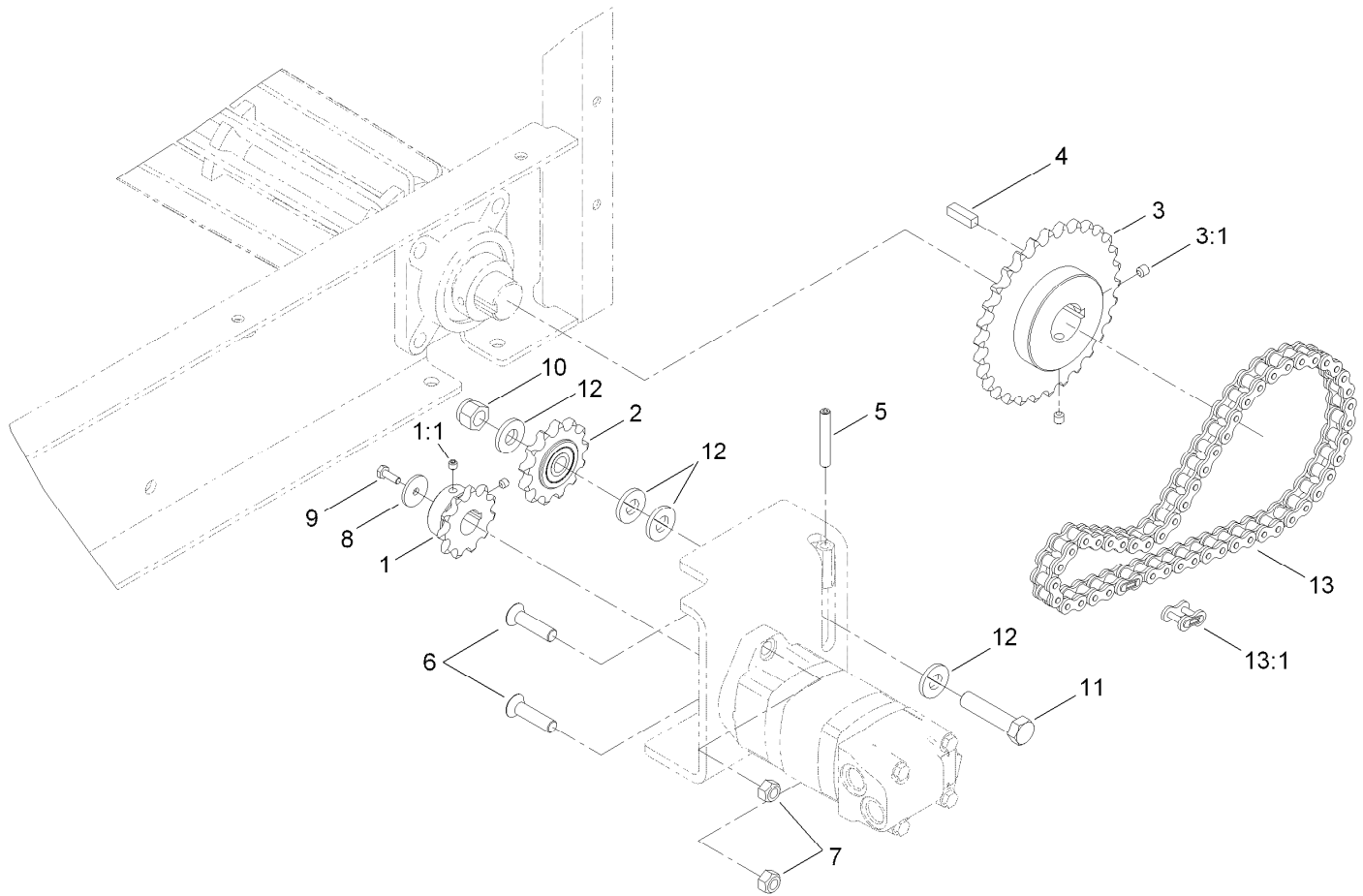
Skirting Assembly

Ref.	Part Number	Qty.	Description
1	T36011520-01	2	Panel-Side Seal
2	T01-22000B	2	Seal-Rubber, Side
3	T36011530-01	2	Bar-Side Seal
4	T36011260	1	Seal-Tailgate, LH
5	T36011270	1	Seal-Tailgate, RH
6	T36011280-01	2	Bar-Seal, Lower
7	T36011290-01	2	Bar-Seal, Upper
8	3231-22	52	Screw-CARR
9	104-8301	52	Nut-Flange, NI
10	3234-29	10	Screw-HHF
11	104-8300	10	Nut-Flange, NI



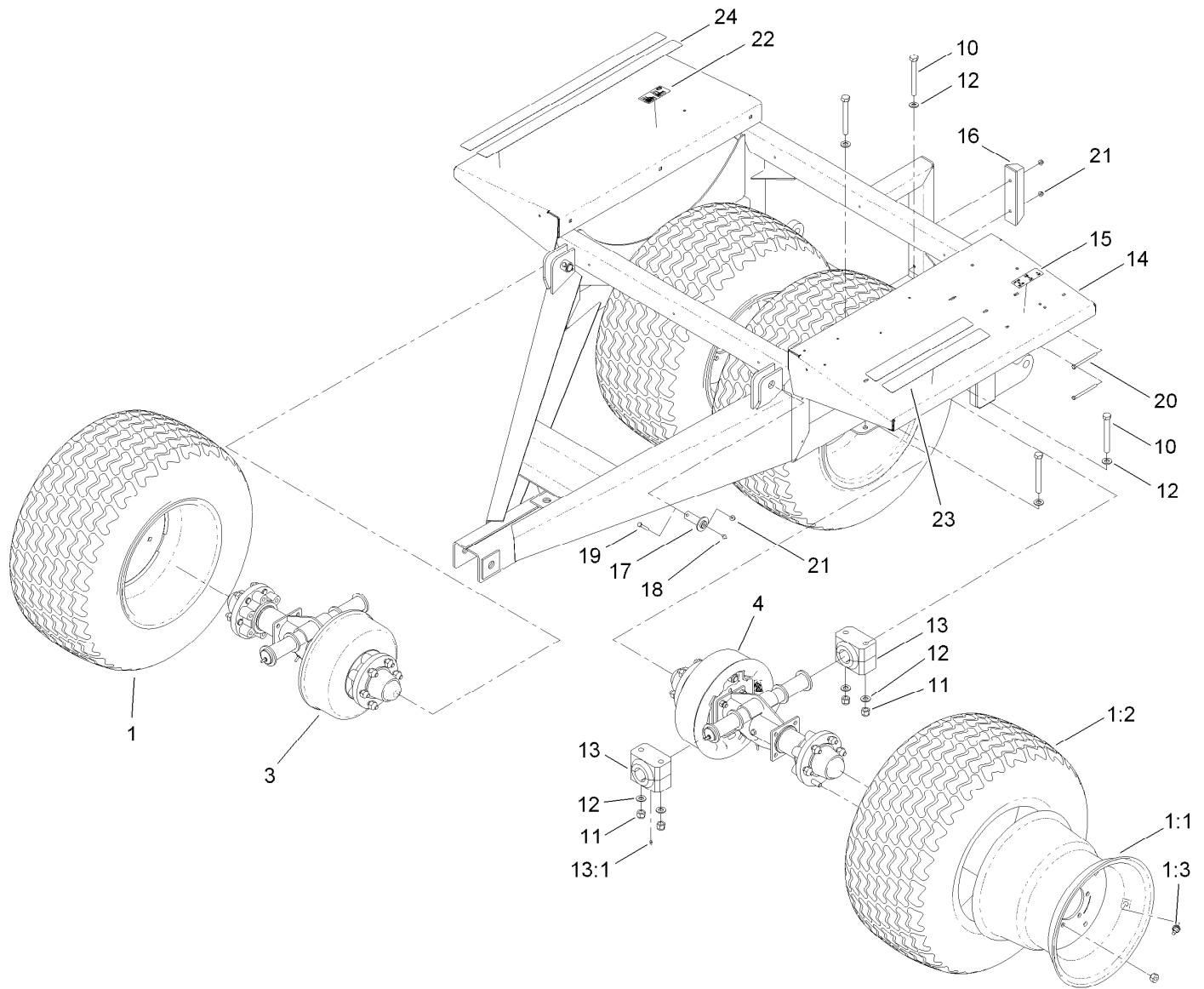
Conveyor Assembly

<i>Ref.</i>	<i>Part Number</i>	<i>Qty.</i>	<i>Description</i>	<i>Ref.</i>	<i>Part Number</i>	<i>Qty.</i>	<i>Description</i>
1	T36011600-01	1	Roller Frame ASM	7	3234-27	24	Screw-HHF
2	T36011680	9	Belt Roller ASM	8	99-5107	24	Nut-Lock
2:2	T36011685	2	Insert-Roller	9	SG330081	7	Nut-Hex
2:4	T60111000	2	Bearing-Ball	10	T36011670	2	Tensioner Rod ASM
3	T36011620-03	1	Idler Roller ASM	11	T36011690	1	Mounting Plate ASM
4	119-6892-03	1	Drive Roller ASM	12	327-6	8	Screw-HH
5	T60114305	2	Take-Up Bearing ASM	14	3296-53	12	Nut-Lock, NI
5:1	120-0817	1	Bearing-Collar, Lock	15	120-0904	4	Screw-HSH
5:3	3246-17	1	Setscrew-HSH	16	T36011675	1	Lock Rod ASM
6	T60116355	2	4-Bolt Bearing ASM	17	3256-27	4	Washer-Flat
6:1	120-0817	1	Bearing-Collar, Lock	18	302-61	2	Fitting-Grease
6:3	3246-17	1	Setscrew-HSH	19	302-10	2	Fitting-Grease



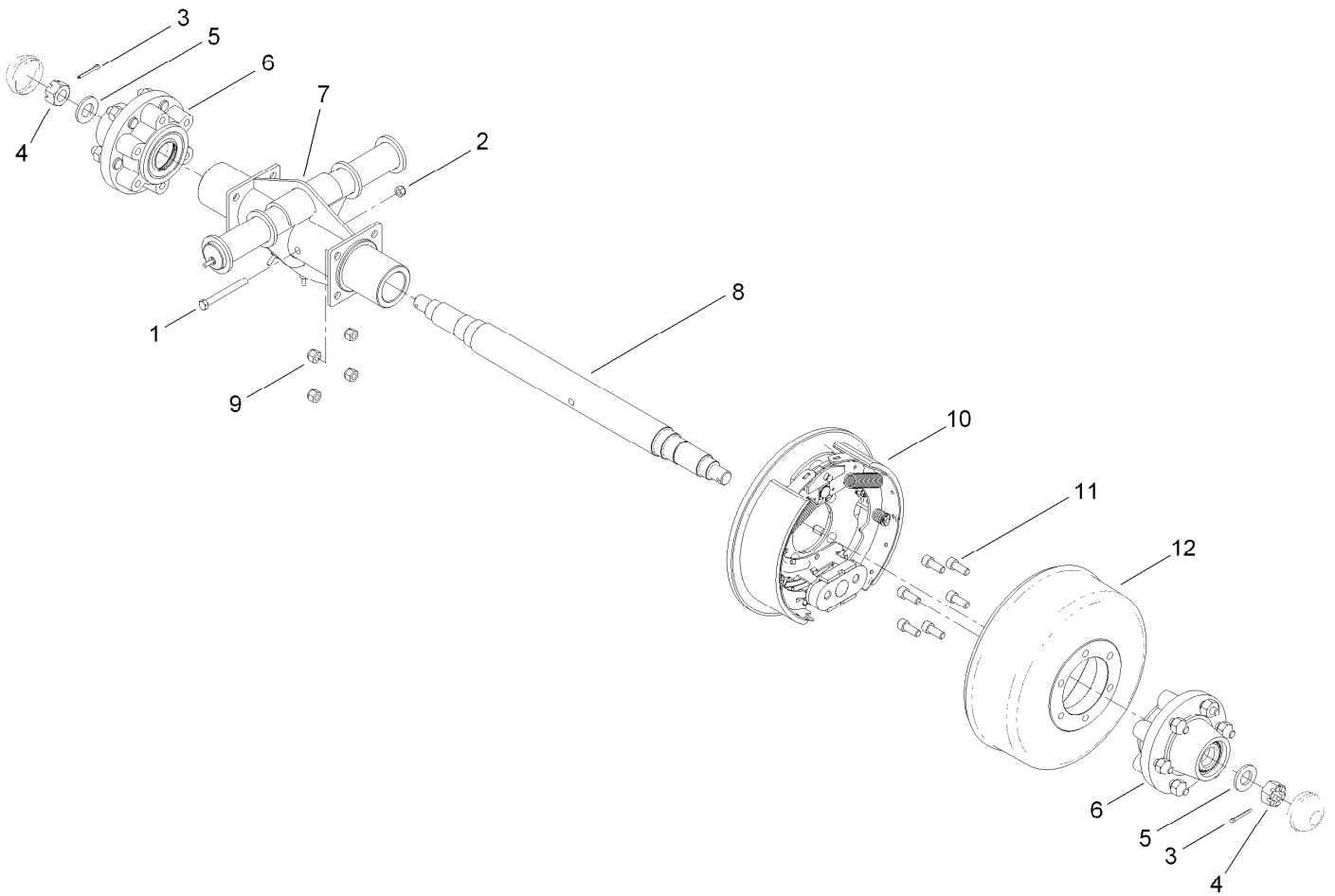
Chain Drive Assembly

<i>Ref.</i>	<i>Part Number</i>	<i>Qty.</i>	<i>Description</i>	<i>Ref.</i>	<i>Part Number</i>	<i>Qty.</i>	<i>Description</i>
1	T60135010	1	Sprocket	7	97-1206	2	Locknut
1:1	3246-2	2	Screw-Set, HSH	8	103995	1	Washer
2	T60134090	1	Sprocket	9	321-4	1	Screw-HH
3	T60135750	1	Sprocket	10	3296-53	1	Nut-Lock, NI
3:1	3247-2	2	Screw-Set, HSH	11	327-8	1	Screw-HH
4	T36011810	1	Key	12	99-7667	4	Washer-Flat
5	120-0909	1	Screw-HSH	13	T36011800	1	Chain-Drive, 39 Inch
6	120-0898	2	Screw-Fhhs	13:1	T60151016	1	Link-Connecting, #60



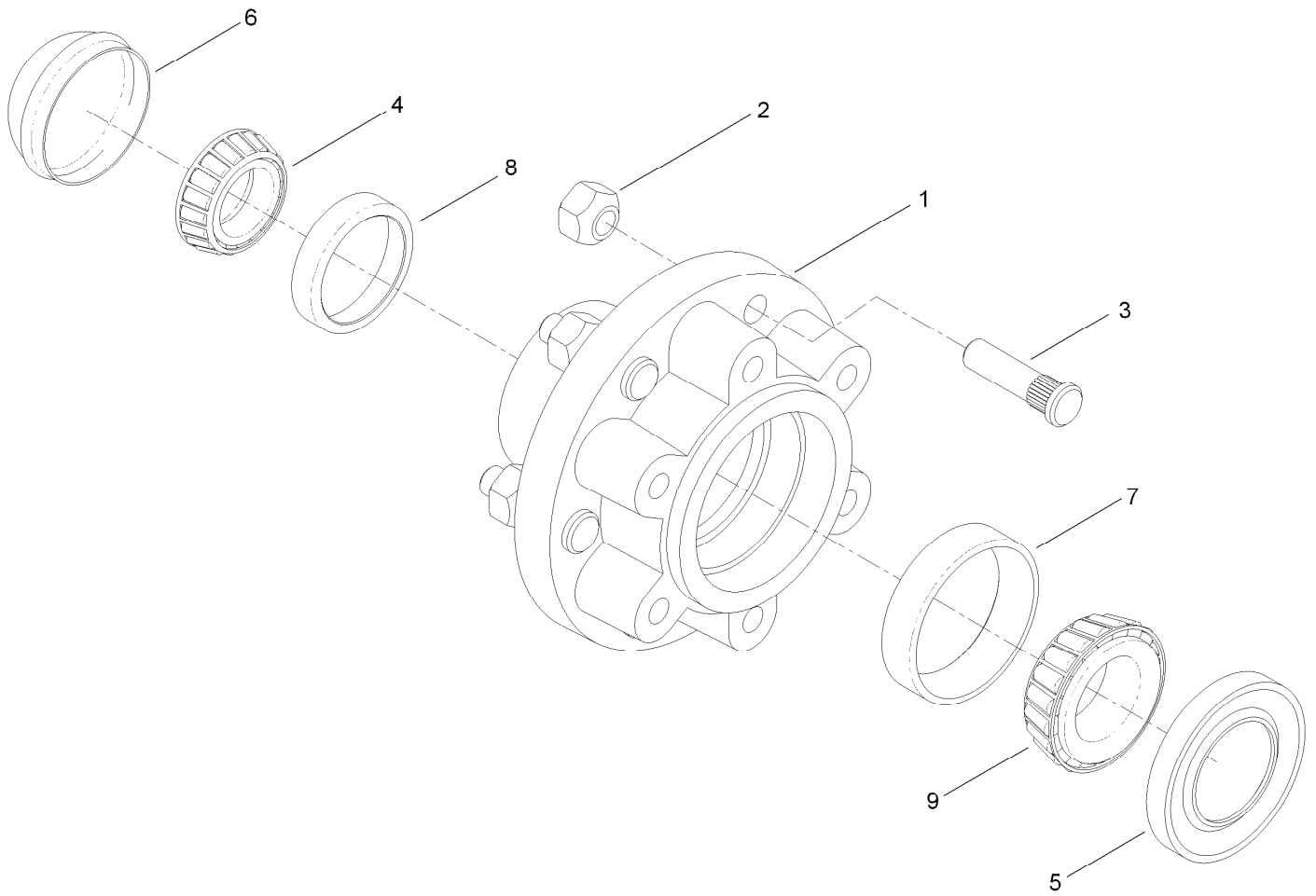
Wheel Assembly

Ref.	Part Number	Qty.	Description	Ref.	Part Number	Qty.	Description
1	T0000-6872	4	Wheel And Tire ASM	14	T01-43164D-01	1	Frame ASM
1:1	T54011022	1	Wheel-Turf	15	119-6823	1	Decal-Hydraulic Control
1:2	T68021100	1	Tire-Turf	16	T62011021	1	Bumper-Rubber
1:3	232-24	1	Stem-Valve	17	T36012070-01	2	Pin-Hinge
3	120-0942	1	RH Shaft ASM	18	302-2	2	Fitting-Grease
4	120-0943	1	LH Shaft ASM	19	322-10	2	Screw-HH
10	120-0923	8	Screw-HH	20	322-19	2	Screw-HH
11	120-0924	8	Nut-Lock, NI	21	104-8300	4	Nut-Flange, NI
12	119-1868	16	Washer	22	119-6835	1	Decal-Jack
13	T60111196	4	Bearing-Polyurethane	23	T36013050	2	Thread-Walk, Safety
13:1	302-19	1	Fitting-Grease	24	T36013052	2	Thread-Walk, Safety



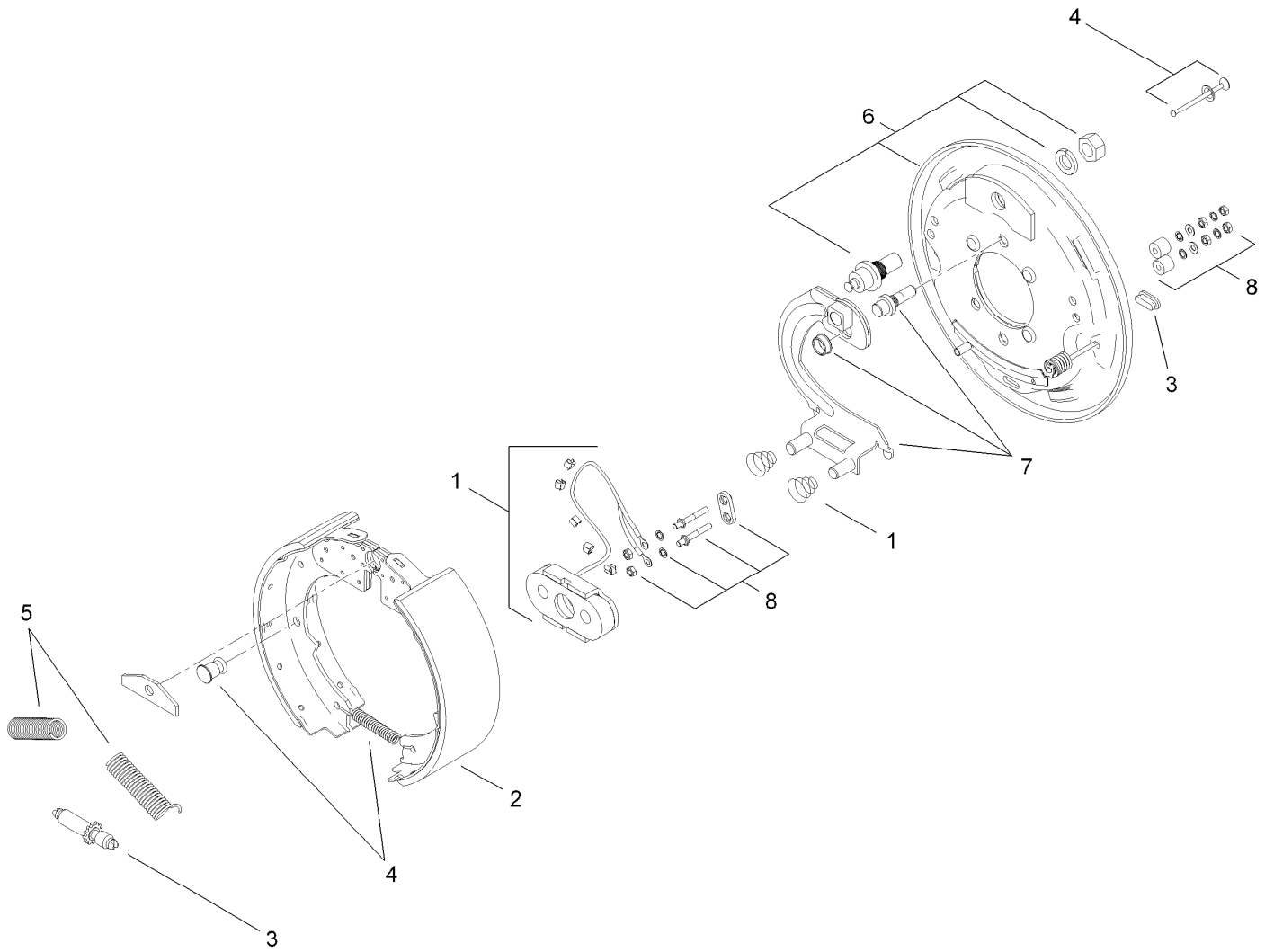
RH Shaft Assembly No. 120-0942

Ref.	Part Number	Qty.	Description
1	120-0922	1	Screw-HH
2	3296-76	1	Nut-Lock, NI
3	3272-23	2	Pin-Cotter
4	32136-11	2	Nut-Hex, Slot
5	T54051068	2	Washer-Spindle
6	T54031039	2	Hub ASM
7	T36012020-03	1	Walking Beam ASM
8	T54031102	1	Spindle-Double End
9	3296-19	4	Nut-Hex
10	120-0818	1	LH Brake ASM
11	120-0940	6	Screw-HSH
12	119-6871	1	Drum-Brake



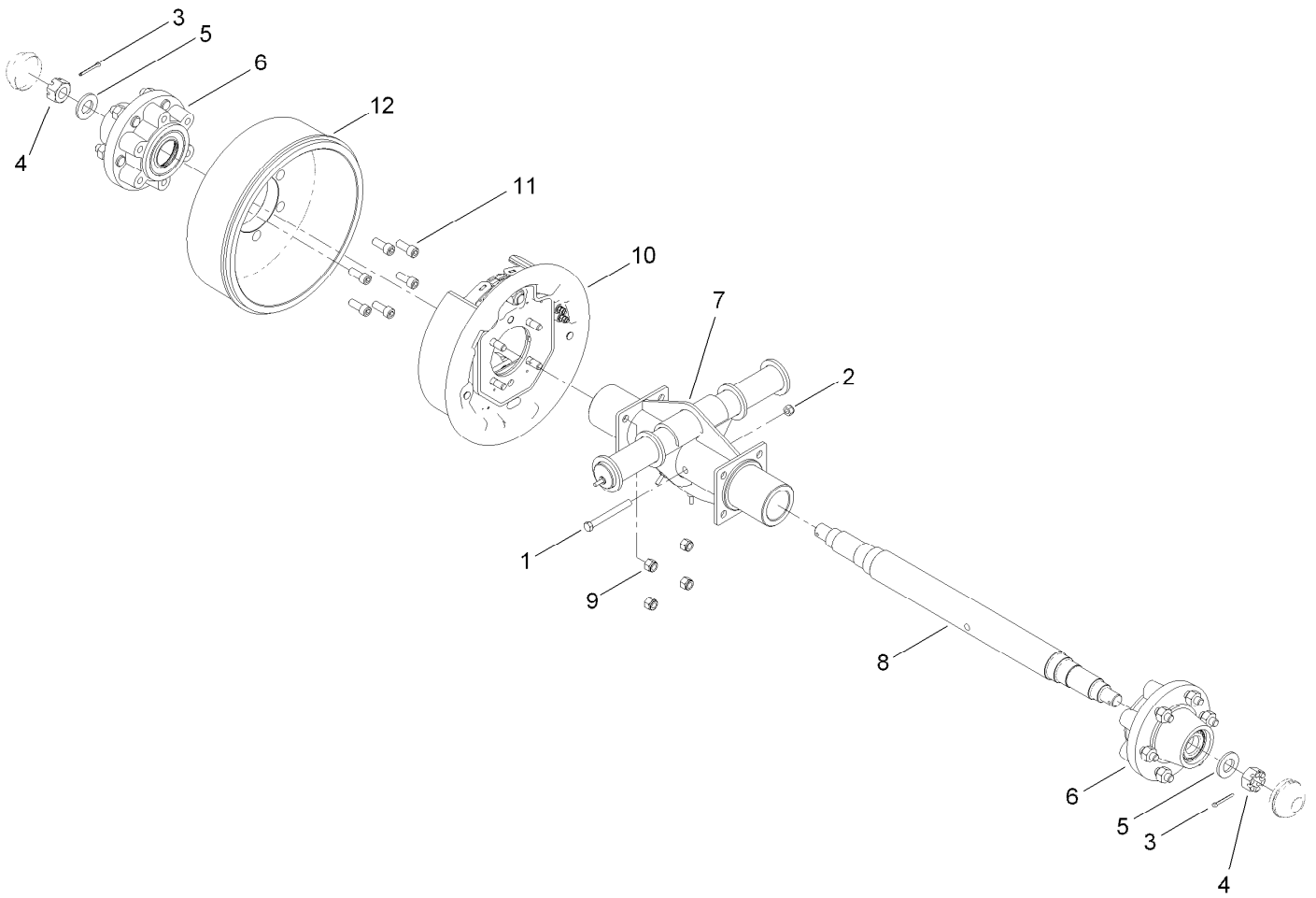
Hub Assembly No. T54031039

<i>Ref.</i>	<i>Part Number</i>	<i>Qty.</i>	<i>Description</i>
1	120-0911	1	Hub-Wheel
2	T54031040	6	Nut-Wheel
3	T54031042	6	Bolt-Stud, Hub ASM
4	T54051010	1	Bearing-Hub Out
5	T54051019	1	Seal-Bearing
6	T54051026	1	Cap-Hub (5000/6000 Lb.)
7	T54051037	1	Race-Bearing, Inner
8	T54051042	1	Races-Bearing, Out
9	T54051100	1	Bearing-Hub In



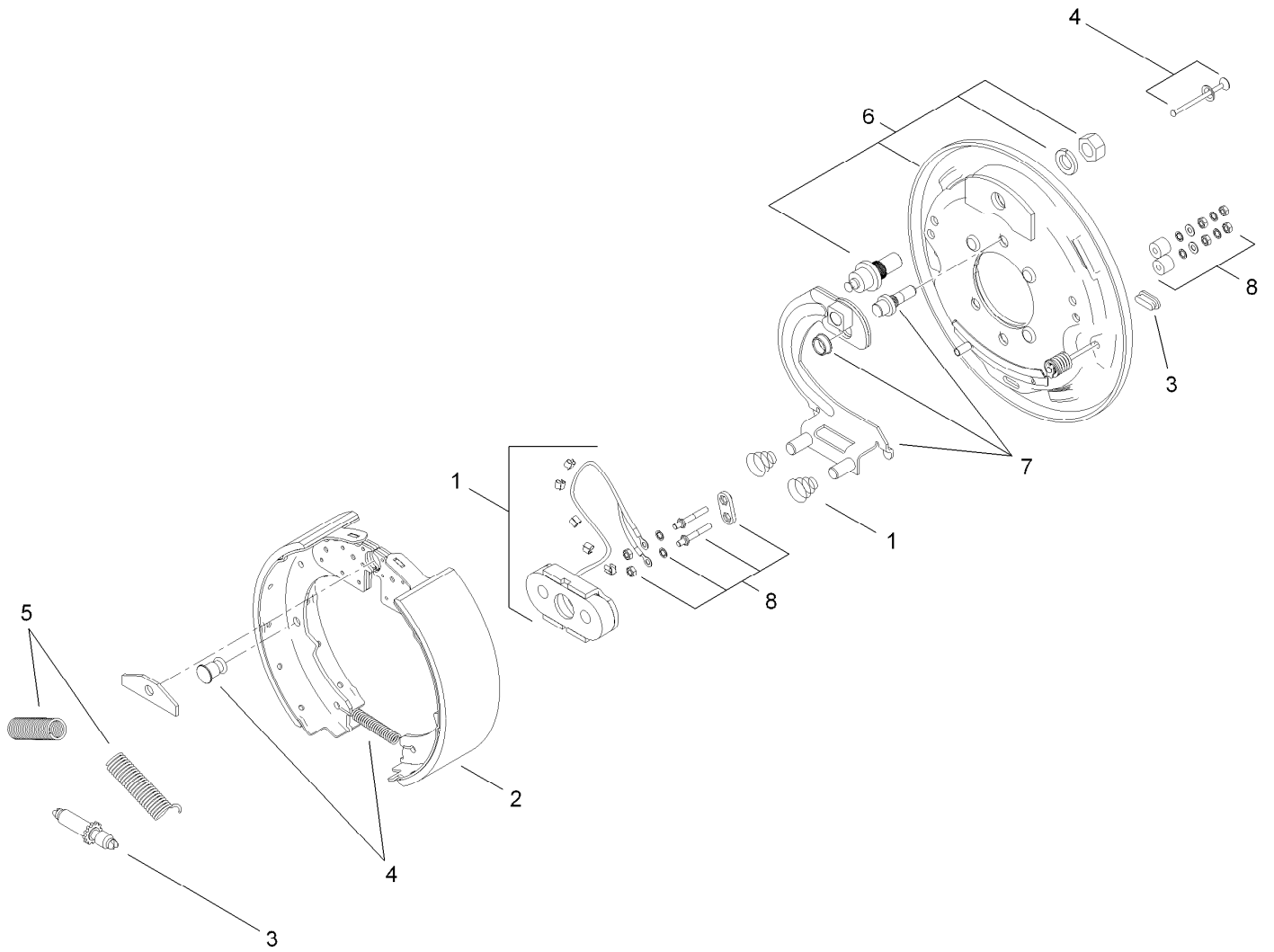
LH Brake Assembly No. 120-0818

<i>Ref.</i>	<i>Part Number</i>	<i>Qty.</i>	<i>Description</i>
1	120-0822	1	Magnet Kit
2	120-0823	1	Shoe And Lining Kit
3	120-0824	1	Adjuster Kit
4	120-0825	1	Hold Down Kit
5	120-0826	1	Shoe Return Spring Kit
6	120-0827	1	Backing Plate Kit
7	120-0829	1	LH Lever Arm Kit
8	120-0830	1	Terminal Assembly Kit



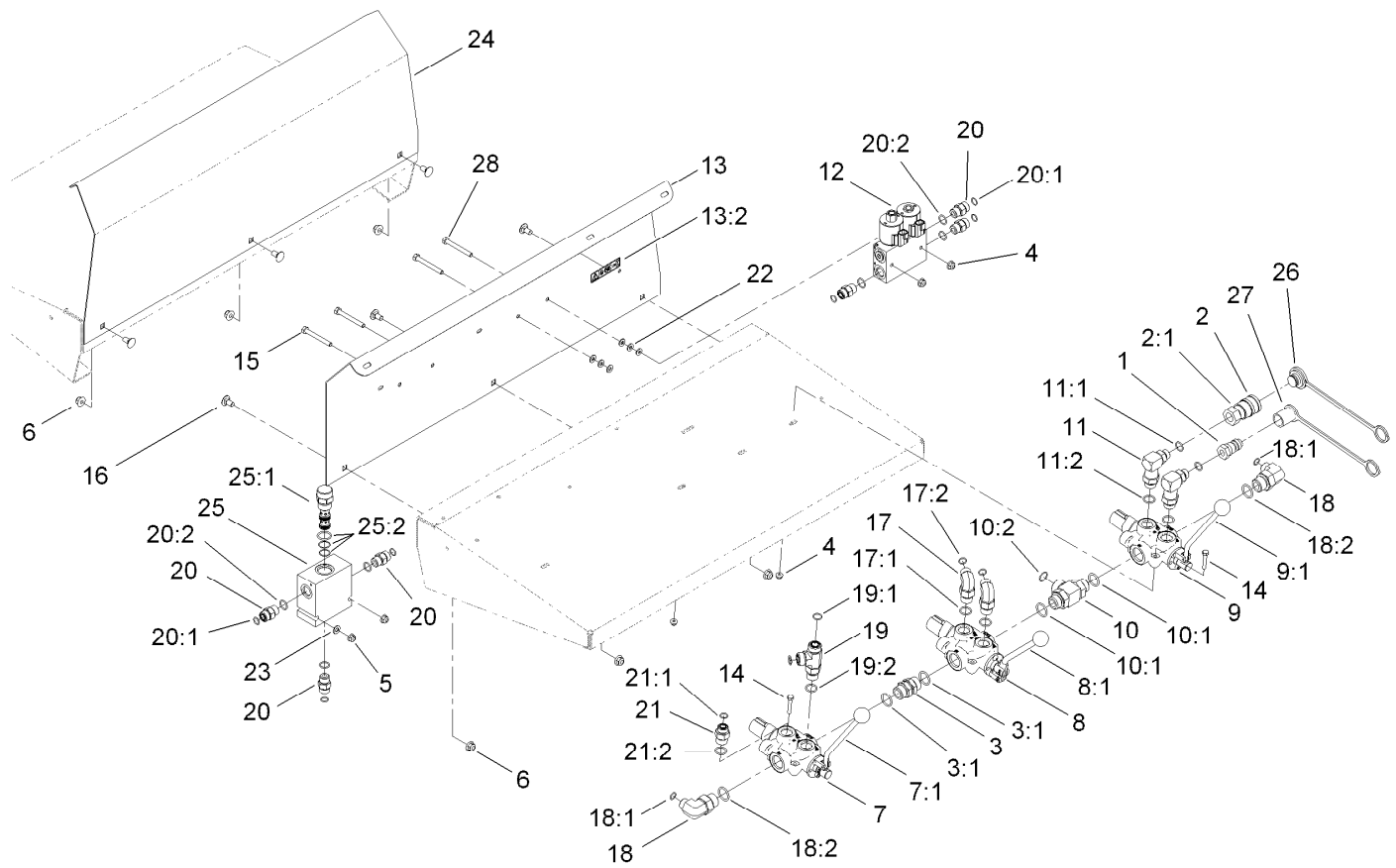
LH Shaft Assembly No. 120-0943

<i>Ref.</i>	<i>Part Number</i>	<i>Qty.</i>	<i>Description</i>
1	120-0922	1	Screw-HH
2	3296-76	1	Nut-Lock, NI
3	3272-23	2	Pin-Cotter
4	32136-11	2	Nut-Hex, Slot
5	T54051068	2	Washer-Spindle
6	T54031039	2	Hub ASM
7	T36012020-03	1	Walking Beam ASM
8	T54031102	1	Spindle-Double End
9	3296-19	4	Nut-Hex
10	120-0819	1	RH Brake ASM
11	120-0940	6	Screw-HSH
12	119-6871	1	Drum-Brake



RH Brake Assembly No. 120-0819

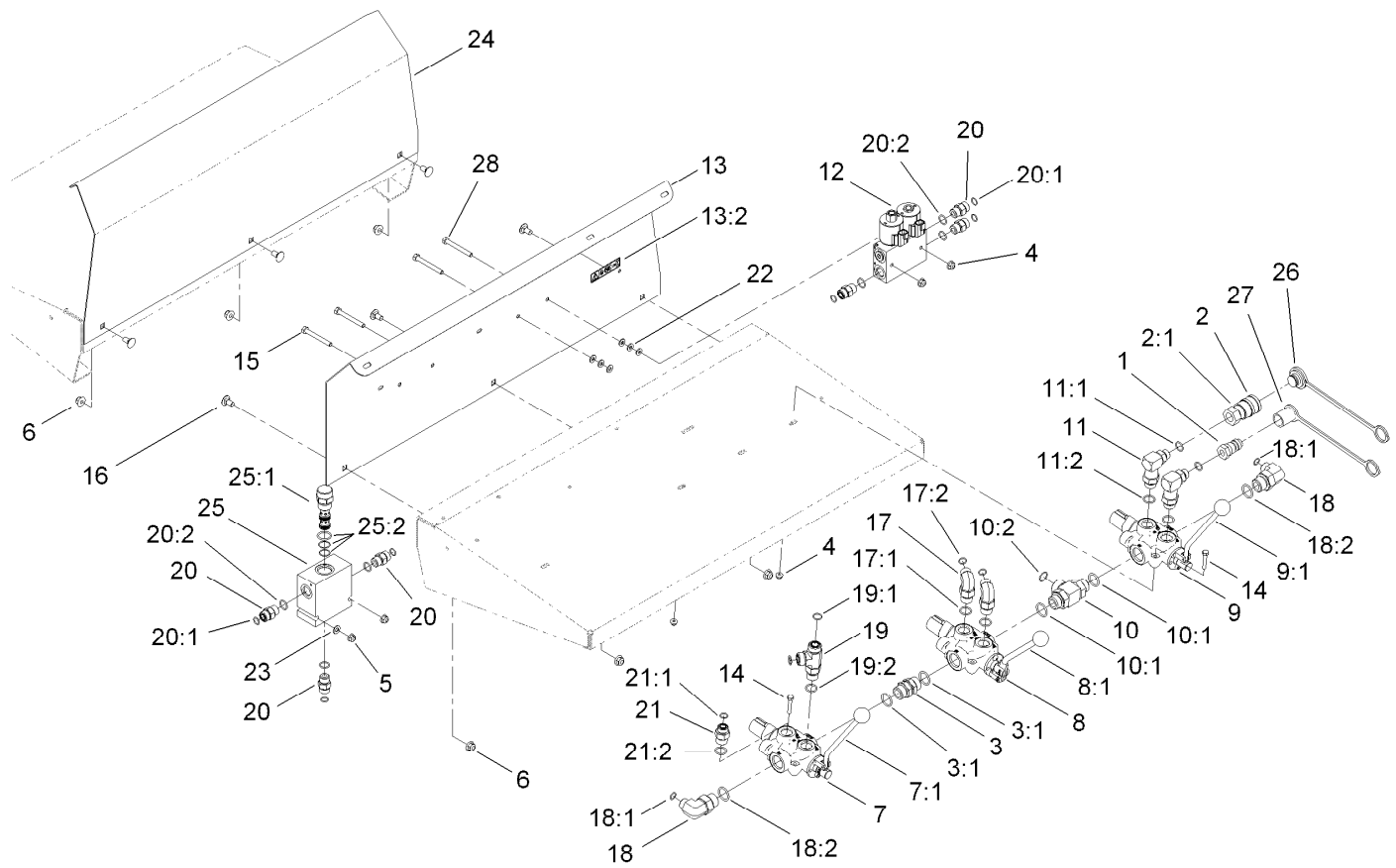
<i>Ref.</i>	<i>Part Number</i>	<i>Qty.</i>	<i>Description</i>
1	120-0822	1	Magnet Kit
2	120-0823	1	Shoe And Lining Kit
3	120-0824	1	Adjuster Kit
4	120-0825	1	Hold Down Kit
5	120-0826	1	Shoe Return Spring Kit
6	120-0827	1	Backing Plate Kit
7	120-0828	1	RH Lever Arm Kit
8	120-0830	1	Terminal Assembly Kit



Hydraulic Valve and Manifold Assembly

Ref.	Part Number	Qty.	Description	Ref.	Part Number	Qty.	Description
1	98-4698	1	Male-Disconnect, Quick	10:2	237-58	1	O-Ring
2	98-4699	1	Female-Disconnect, Quick	11	120-0847	2	Fitting-Elbow-90
2:1	100-4165	1	Seal Kit	11:1	237-79	1	O-Ring
3	98-9906	1	Fitting-Thread, Straight	11:2	237-80	1	O-Ring
3:1	237-81	2	O-Ring	12	120-0850	1	Conveyor Belt Manifold ASM
4	104-7201	4	Nut-HF	13	120-0921	1	LH Fender Guard Service ASM
5	104-8300	4	Nut-Flange, NI	13:2	119-0217	1	Decal-Danger
6	104-8301	6	Nut-Flange, NI	14	321-43	2	Capscrew
7	120-0835	1	Hydraulic Valve ASM	15	322-13	2	Screw-HH
7:1	T36013200	1	Lever (Belt Or Option)	16	3231-1	6	Screw-CARR
7:2	T56051070	1	Seal Kit ●	17	340-105	2	Fitting-HYD, 90 DEG
8	120-0836	1	Hydraulic Valve ASM	17:1	237-80	1	O-Ring
8:1	T36013190	1	Lever-Center	17:2	237-30	1	O-Ring
8:2	T56051070	1	Seal Kit ●	18	340-131	2	Fitting-HYD, 90 DEG
9	120-0837	1	Hydraulic Valve ASM	18:1	237-30	1	O-Ring
9:1	T36013200	1	Lever (Belt Or Option)	18:2	237-81	1	O-Ring
9:2	T56051070	1	Seal Kit ●	19	340-22	1	Fitting-HYD, Tee
10	120-0844	1	Fitting-Tee				
10:1	237-81	2	O-Ring				

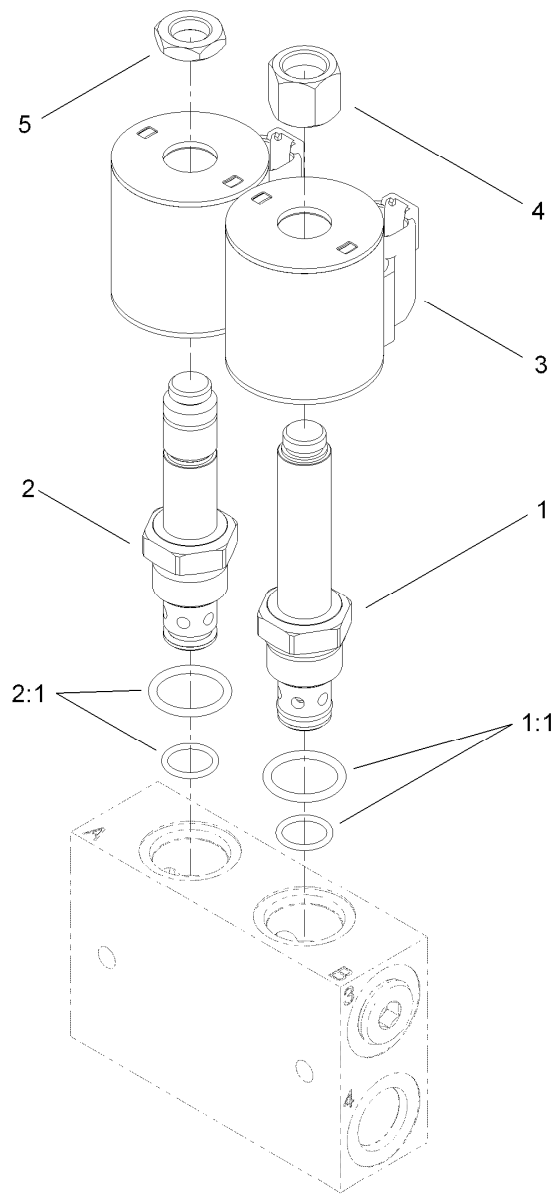
● Not illustrated



Hydraulic Valve and Manifold Assembly (continued)

<i>Ref.</i>	<i>Part Number</i>	<i>Qty.</i>	<i>Description</i>	<i>Ref.</i>	<i>Part Number</i>	<i>Qty.</i>	<i>Description</i>
19:1	237-65	2	O-Ring	24	T36011720-01	1	Guard-Fender, RH
19:2	237-80	1	O-Ring	25	T56051020	1	Valve-HYD
20	340-4	6	Fitting-HYD, Straight	25:1	120-0851	1	Valve-Cartridge, Pressure Comp
20:1	237-30	1	O-Ring	25:2	114-5515	1	Seal Kit
20:2	237-79	1	O-Ring	26	T56152150	1	Plug-Quick Connect, 1/2 Inch
21	340-6	1	Fitting-HYD, Straight	27	T56152152	1	Cap-Quick Connect, 1/2 Inch
21:1	237-30	1	O-Ring	28	321-15	2	Screw-HH
21:2	237-80	1	O-Ring				
22	3256-22	6	Washer-Flat				
23	3256-23	2	Washer-Flat				

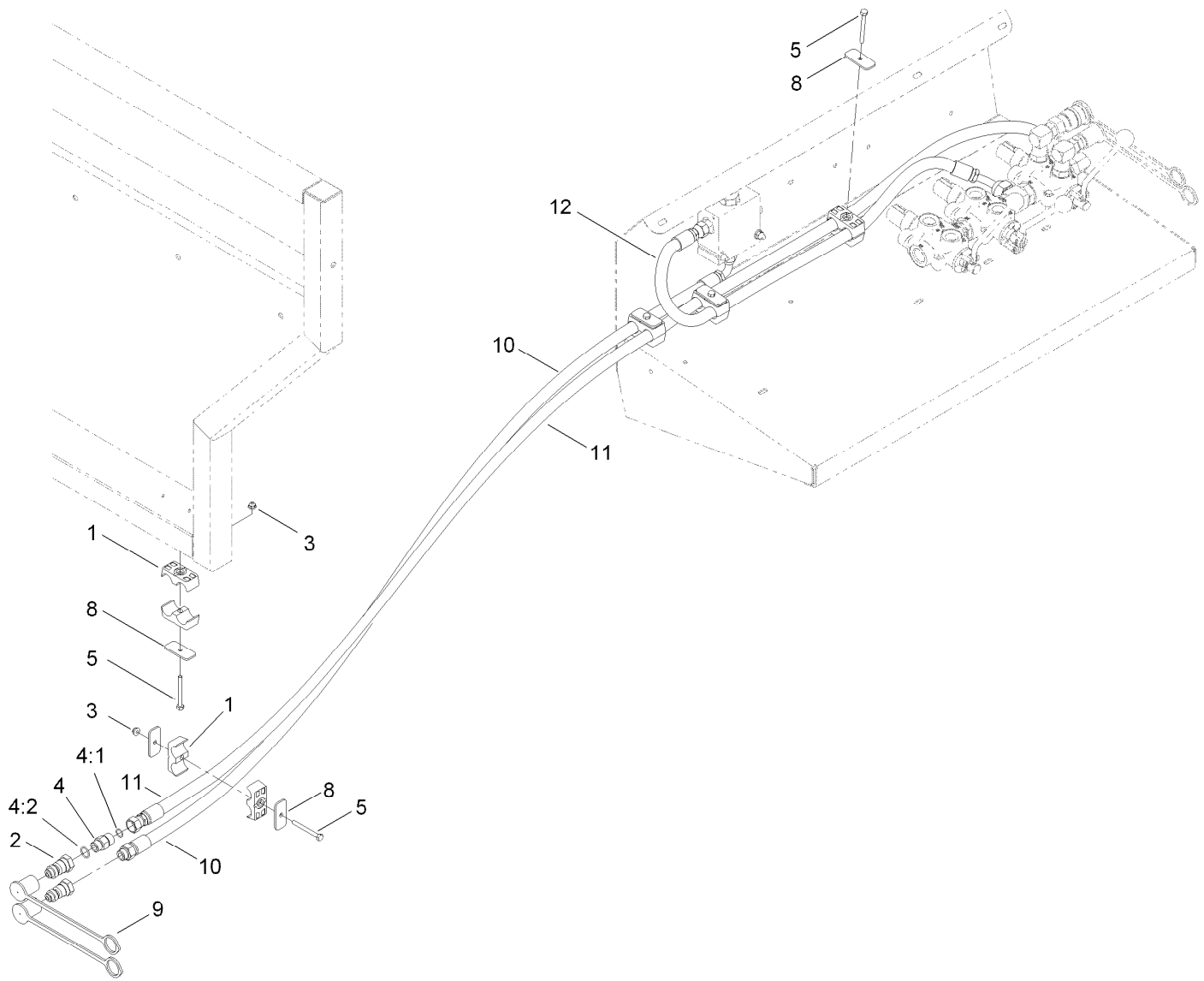
● Not illustrated



Hydraulic Valve Assembly No. 120-0850

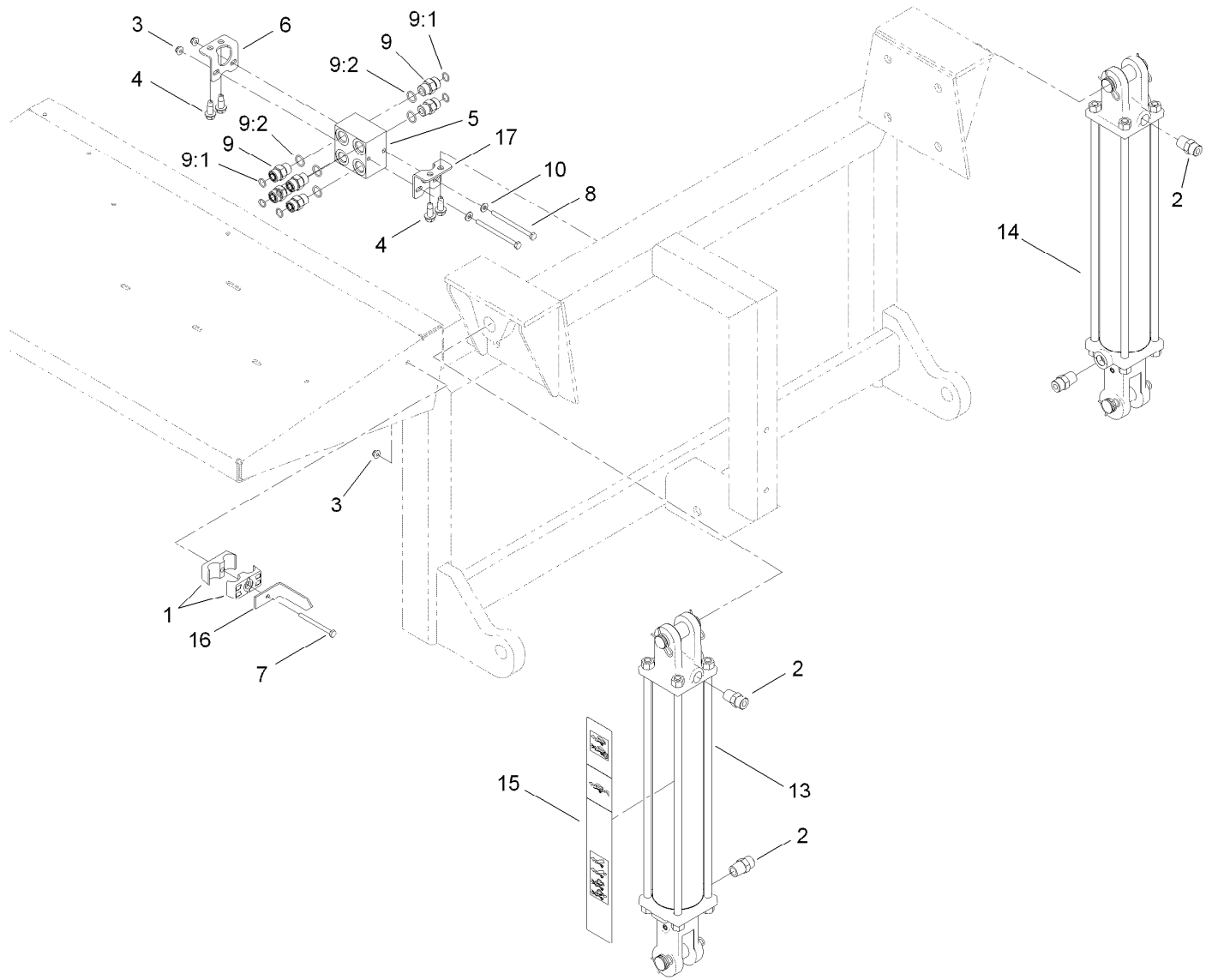
<i>Ref.</i>	<i>Part Number</i>	<i>Qty.</i>	<i>Description</i>
1	105-9158	1	Valve-Solenoid, N.O.
1:1	105-9159	1	Seal Kit ●
2	120-0913	1	Valve-Solenoid
2:1	105-9159	1	Seal Kit
3	115-3021	2	Coil-12V
4	110-2635	1	Nut-Coil
5	110-2634	1	Nut-Coil

● Not illustrated



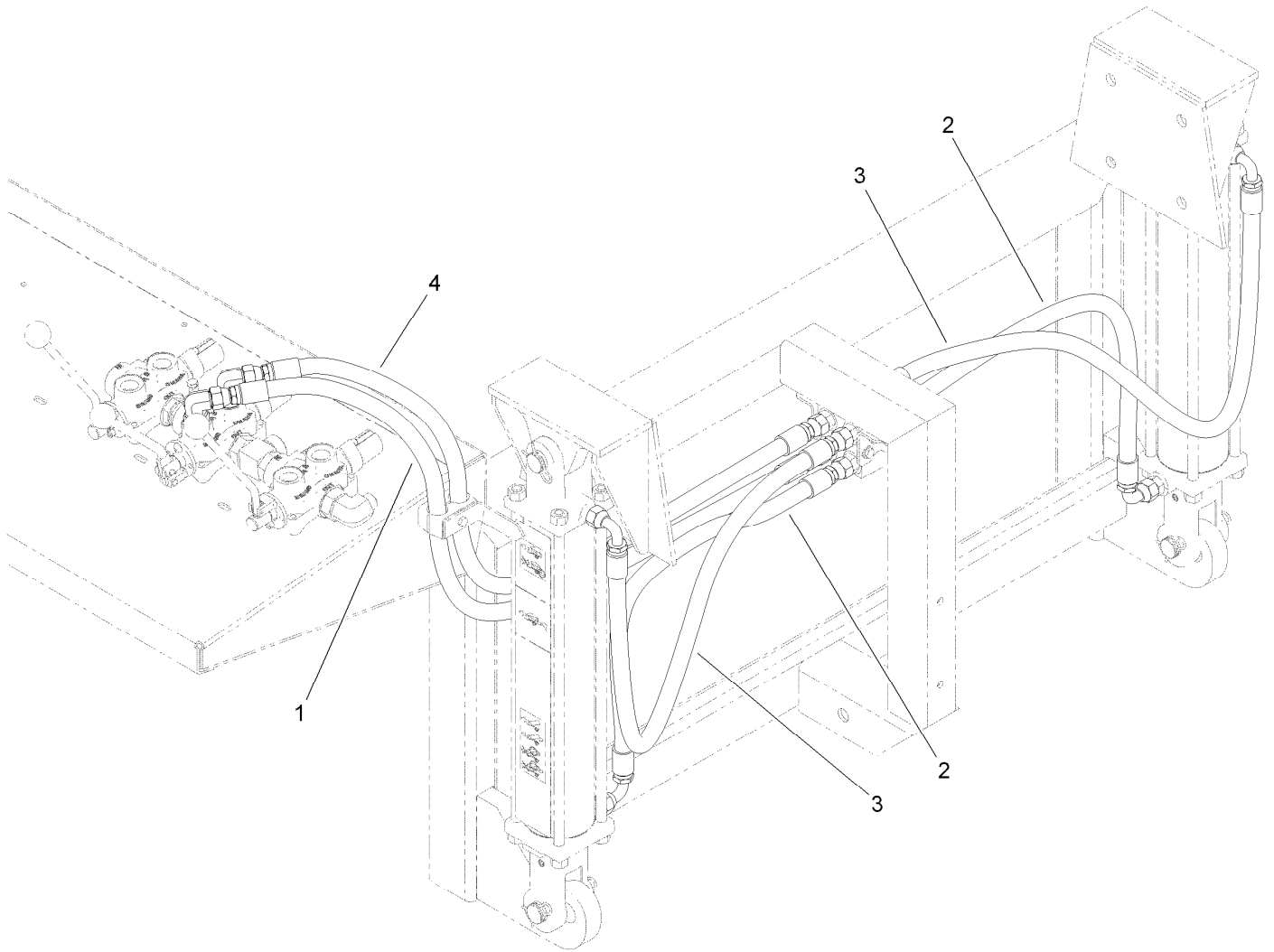
Hydraulic Hose and Clamp Assembly

Ref.	Part Number	Qty.	Description
1	56-7974	10	Clamp-Tube
2	98-4698	2	Male-Disconnect, Quick
3	104-7201	5	Nut-HF
4	119-6898	1	Valve-Check, HYD
4:1	237-30	1	O-Ring
4:2	237-79	1	O-Ring
5	321-15	5	Screw-HH
8	T36033040	6	Plate-Clamp
9	T56152152	2	Cap-Quick Connect, 1/2 Inch
10	120-0862	1	HYD Hose ASM
11	120-0863	1	HYD Hose ASM
12	120-0874	1	HYD Hose ASM



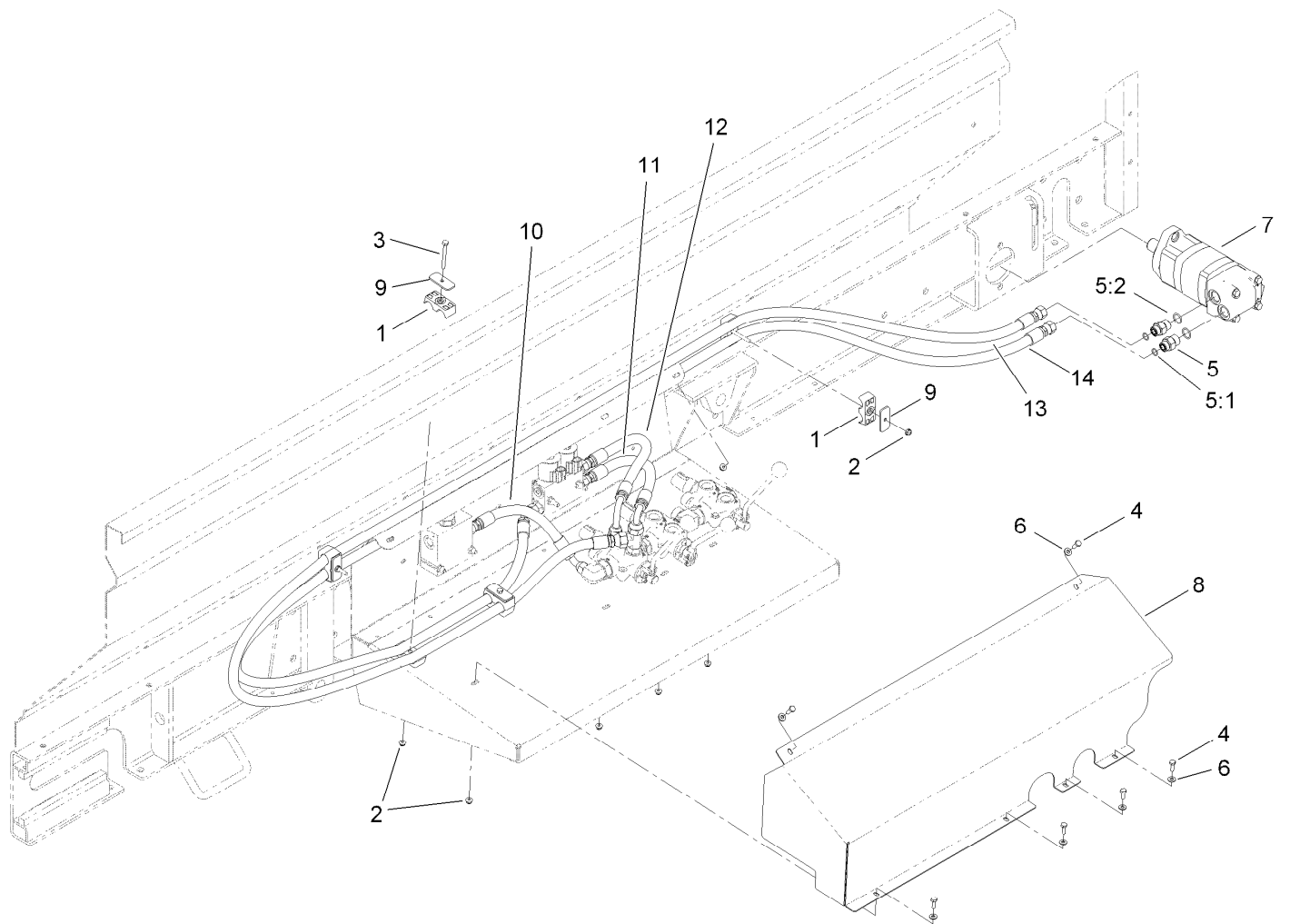
Hydraulic Cylinder and Junction Box Manifold Assembly

<i>Ref.</i>	<i>Part Number</i>	<i>Qty.</i>	<i>Description</i>
1	56-7974	2	Clamp-Tube
2	93-5107	4	Fitting-Adapter
3	104-7201	3	Nut-HF
4	105-6245	4	Screw-Tapping
5	120-0848	1	Manifold-Junction Block
6	120-0875-03	1	Bracket-Mounting, Manifold
7	321-23	1	Screw-HH
8	321-28	2	Screw-HH
9	340-4	6	Fitting-HYD, Straight
9:1	237-30	1	O-Ring
9:2	237-79	1	O-Ring
10	3256-22	2	Washer-Flat
13	T56071160	1	HYD Cylinder ASM
14	T56071170	1	HYD Cylinder ASM
15	119-6863	1	Decal-Load Range
16	T36011570	1	Bar-Indicator, Lift
17	120-0983-03	1	Bracket-Manifold



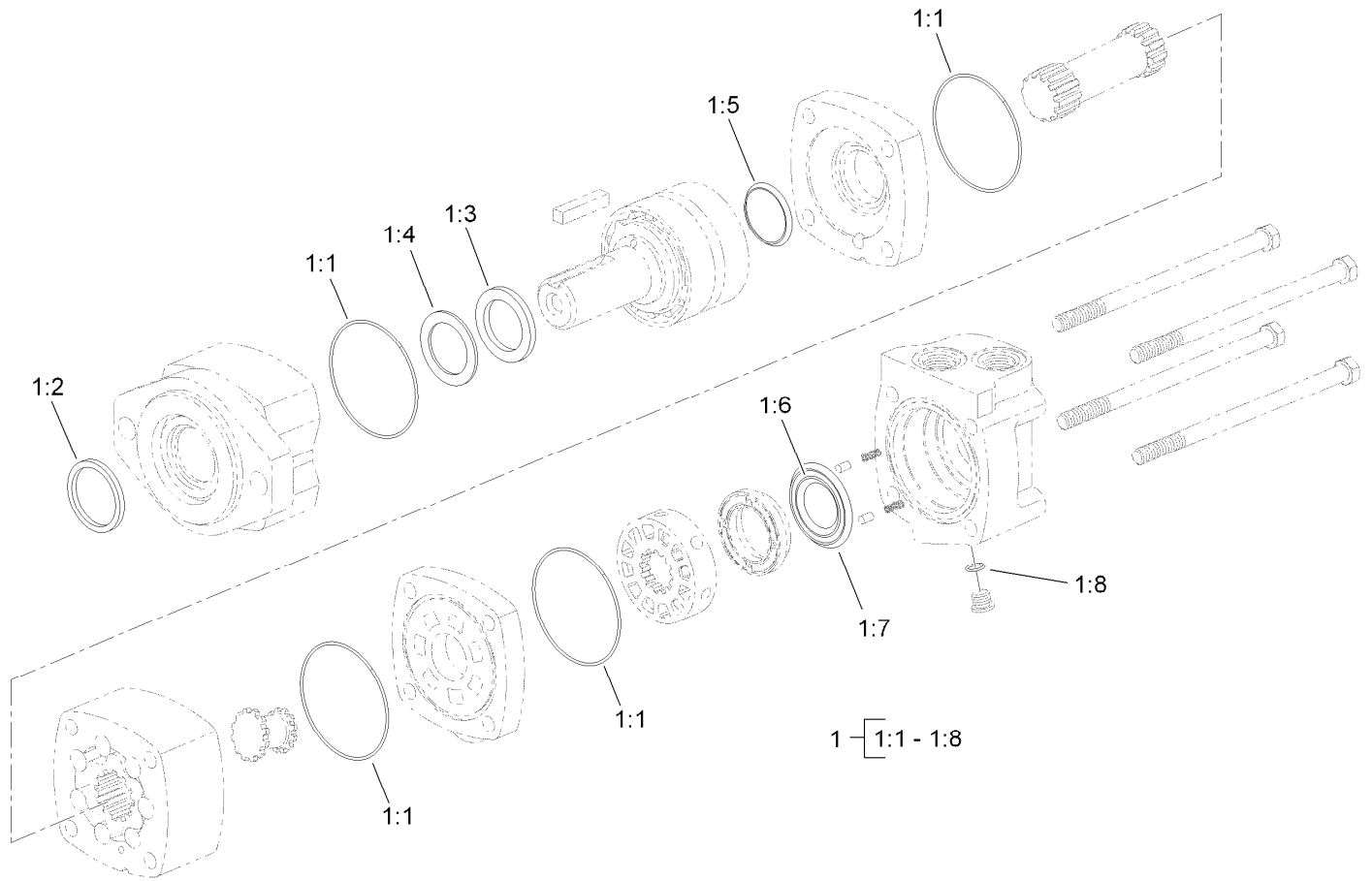
Hydraulic Hose Assembly

<i>Ref.</i>	<i>Part Number</i>	<i>Qty.</i>	<i>Description</i>
1	120-0980	1	Hose ASM-Hydraulic
2	120-0869	2	HYD Hose ASM
3	120-0870	2	HYD Hose ASM
4	120-0981	1	Hose ASM-Hydraulic



Hydraulic Guard Box Assembly

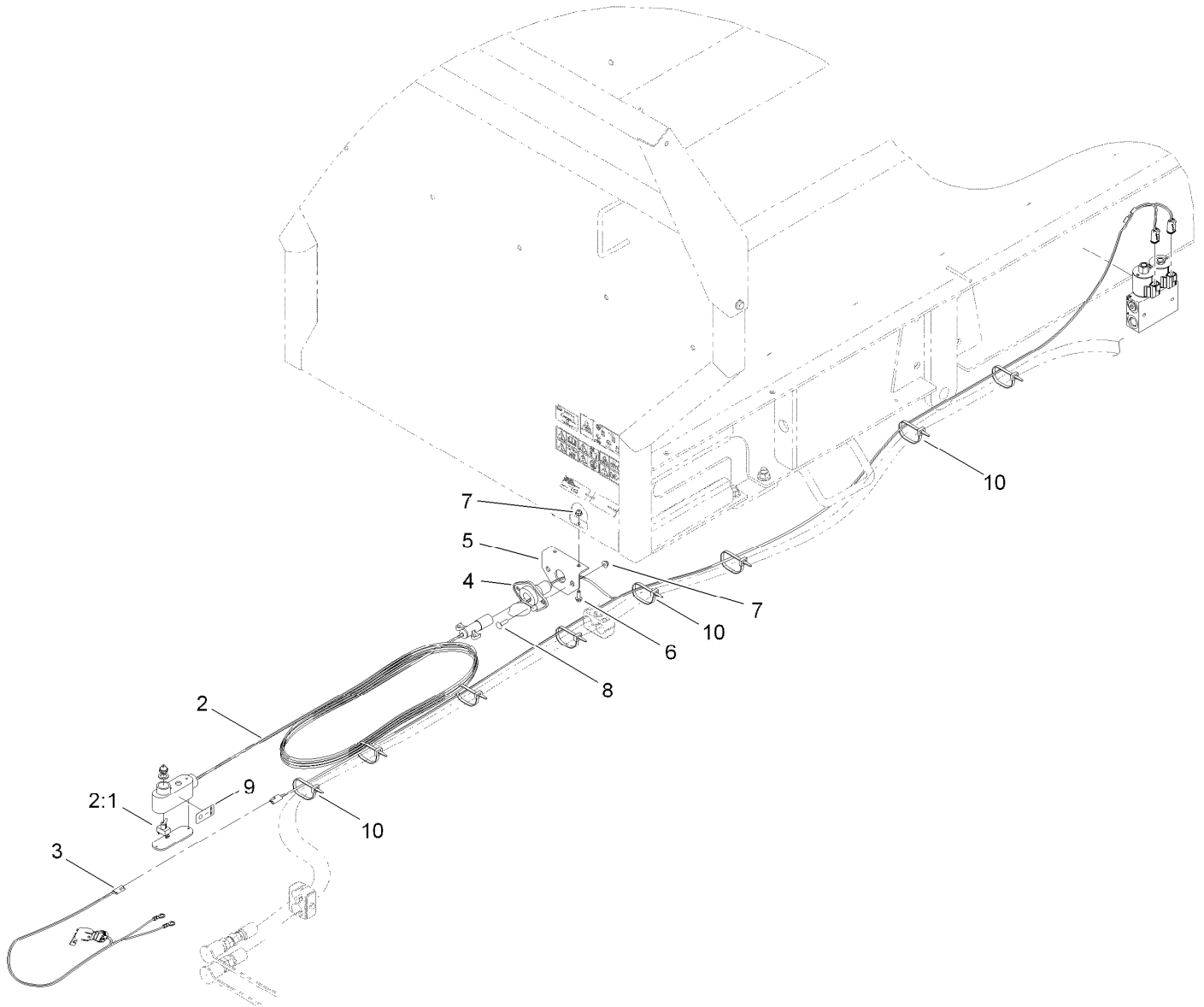
<i>Ref.</i>	<i>Part Number</i>	<i>Qty.</i>	<i>Description</i>	<i>Ref.</i>	<i>Part Number</i>	<i>Qty.</i>	<i>Description</i>
1	56-7974	8	Clamp-Tube	7	T0000-5303	1	HYD Motor ASM
2	104-7201	10	Nut-HF	8	T36011770-01	1	Guard-Hydraulic
3	321-15	2	Screw-HH	9	T36033040	4	Plate-Clamp
4	321-4	6	Screw-HH	10	120-0858	1	HYD Hose ASM
5	340-6	3	Fitting-HYD, Straight	11	120-0860	1	HYD Hose ASM
5:1	237-30	1	O-Ring	12	120-0861	1	HYD Hose ASM
5:2	237-80	1	O-Ring	13	120-0864	1	HYD Hose ASM
6	3256-22	6	Washer-Flat	14	119-4591	1	HYD Hose ASM



Hydraulic Motor Assembly No. T0000-5303

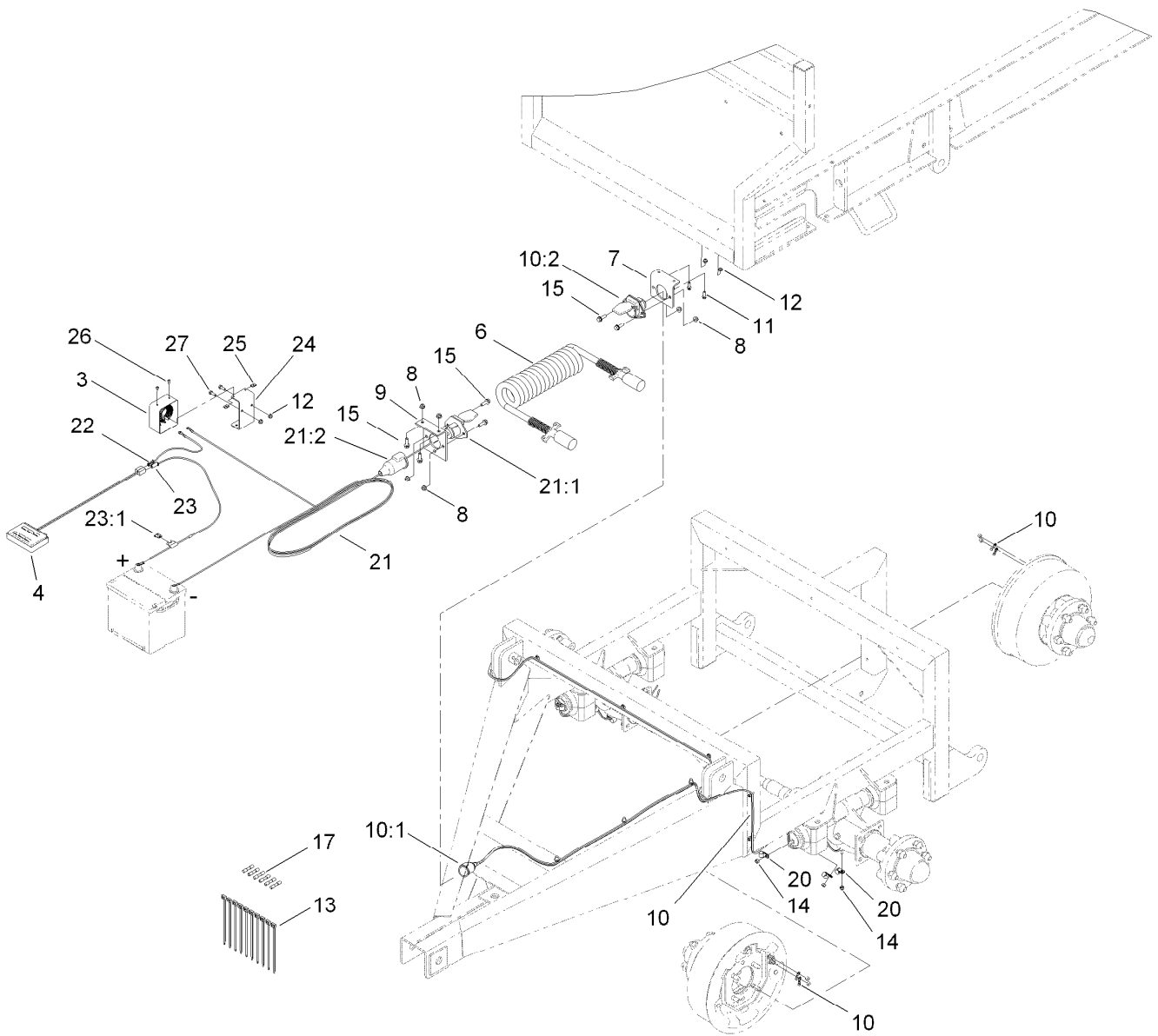
Ref.	Part Number	Qty.	Description
1	56-6890	1	Seal Kit
1:1		4	O-Ring ●
1:2		1	Seal-Exclusion, Shaft ●
1:3		1	Seal-Shaft ●
1:4		1	Ring-Back-Up ●
1:5		1	Seal-Face, Shaft ●
1:6		1	Seal-Face, Inner ●
1:7		1	Seal-Face, Outer ●
1:8		1	O-Ring ●

● Not serviced separately



Electrical Assembly

Ref.	Part Number	Qty.	Description
2	120-0801	1	Pendant ASM
2:1	119-7551	1	Switch-Toggle, 2-Way
3	120-0852	1	Harness-Wire, Battery
4	120-0853	1	Harness-Wire, Rear Pendant
5	T36016086-01	1	Bracket-Socket, Pendant
6	115-5103	2	Screw-HHF
7	104-7201	4	Nut-HF
8	3229-2	2	Screw-CARR
9	119-6822	1	Decal-Floor Conveyor
10	3290-378	10	Tie-Cable



Brake Assembly

Ref.	Part Number	Qty.	Description	Ref.	Part Number	Qty.	Description
3	T54085020	1	Control-Load, Electric Brakes	15	3234-29	6	Screw-HHF
4	T54085030	1	Control-Foot, Electric Brakes	17	32180-046	6	Splice-Heatshrink Covered
6	T58071132	1	Cable-Coil, 12 Ft.	20	2412-73	6	Clamp-R
7	120-0892	1	Bracket-Connector	21	120-0958	1	Harness-Wire, Brake (Trailer Battery)
8	104-8300	6	Nut-Flange, NI	21:1	32160-322	1	Connector-Trailer, 7M
9	T36016080	1	Bracket-Tractor	21:2	120-0876	1	Boot-Socket
10	120-0802	1	Harness-Wire, Electric Brakes	22	120-0959	1	Harness-Wire, Brake (Rheostat-Pedal)
10:1	120-0876	1	Boot-Socket	23	120-0960	1	Wire-Brake, Pedal (Battery)
10:2	32160-322	1	Connector-Trailer, 7M	23:1	218-578	1	Fuse-Blade, 10 Amp
11	115-5103	2	Screw-HHF	24	120-0938-03	1	Bracket-Controller, Load
12	104-7201	4	Nut-HF	25	701493	2	Nut-Speed
13	3290-378	10	Tie-Cable	26	3251-1	2	Screw-PPH
14	3296-42	6	Nut-Lock, NI	27	321-4	2	Screw-HH

Notes:

Notes:

Notes:



Count on it.