



**Count on it.**

**Parts Catalog**

**Greensmaster® Flex™ 21 Traction Unit**

Model No. 04024—Serial No. 31000001 and Up

# Ordering Replacement Parts

To order replacement parts, please supply the part number, the quantity, and the description of each part desired.

## Understanding Reference Numbers

Each identified part in an illustration has a reference number. The reference number for a part also appears in the parts list, along with other information about the part.

This catalog uses two special reference number formats, one to indicate parts in a service assembly and another to indicate the quantity of a given part in an illustration.

## Service Assembly Reference Numbers

Parts in service assemblies have reference numbers in the form a:b. The a represents the reference number of the entire service assembly and the b represents a sequential number unique to each part within the service assembly.

For example, a wheel assembly might be identified by reference number 6, the tire by 6:1, the valve by 6:2, and the wheel by 6:3. When you order the assembly identified by reference number 6, you receive all parts identified by reference numbers 6:1, 6:2, and 6:3. However, you may also order any part individually. Reference numbers of this type appear in illustration and in parts lists.

## Reference Numbers Indicating Quantity

In an illustration, if a reference number indicates more than one part, the reference number has the form nX y. The n represents the quantity of the part, the X is the multiplication symbol, and the y represents the reference number.

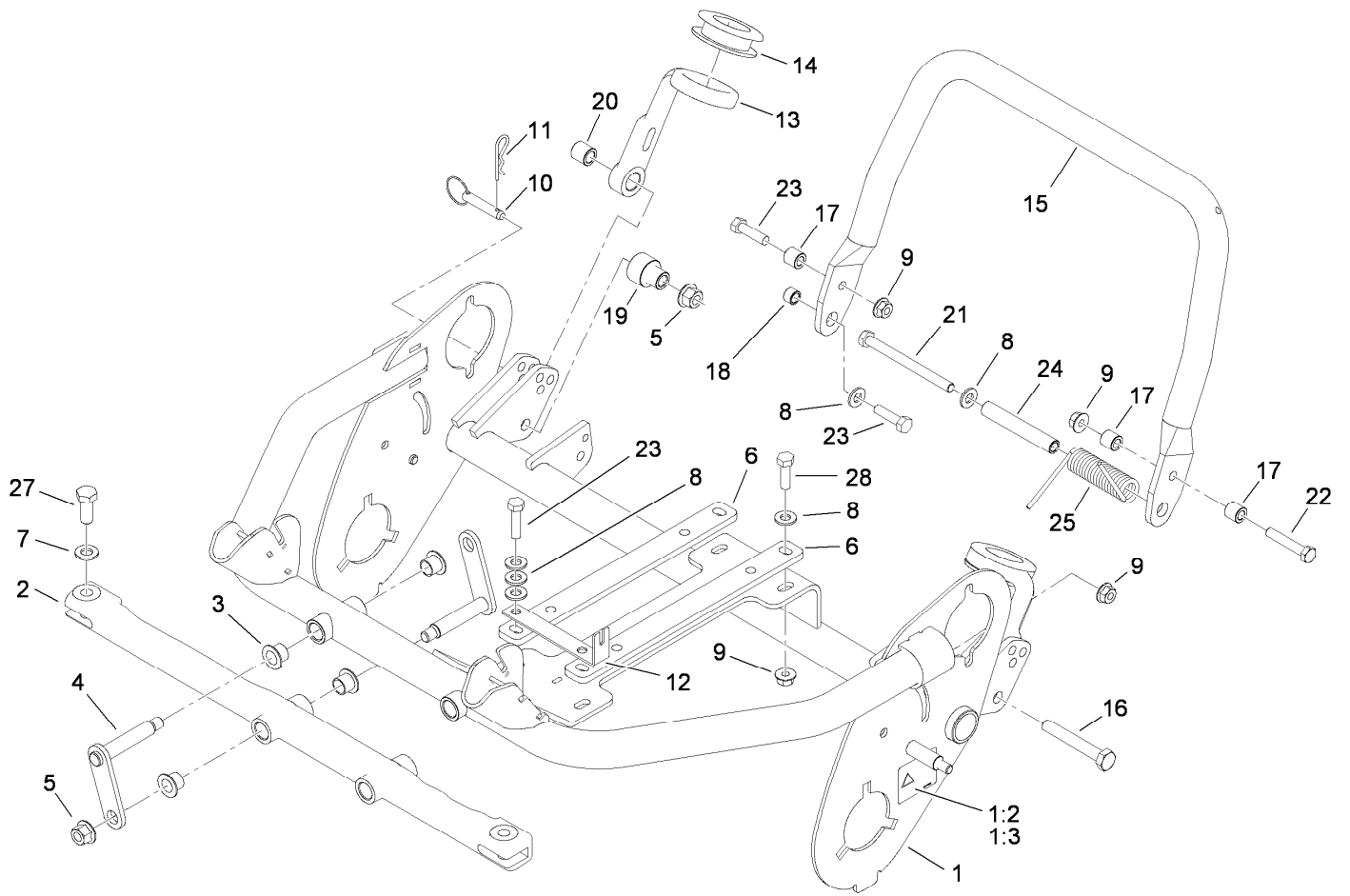
For example, in an illustration, the reference number 2X 37 means that two of the parts identified by reference number 37 are indicated.

# List of Abbreviations

<b>AR:</b> as required	<b>HLH:</b> hex lag head	<b>RRB:</b> rear roller brush
<b>ASM:</b> assembly	<b>HOC:</b> height-of-cut	<b>SFH:</b> slotted fillister head
<b>BBC:</b> blade brake control	<b>HSBH:</b> hex socket button head	<b>SHH:</b> slotted hex head
<b>BHTF:</b> button head thread forming	<b>HSFH:</b> hex socket flat head	<b>SHWH:</b> slotted hex washer head
<b>CARR:</b> carriage	<b>HSH:</b> hex socket head	<b>SPH:</b> slotted pan head
<b>CCW:</b> counter clockwise	<b>HWH:</b> hex washer head	<b>SQH:</b> square head
<b>CCW:</b> counter clock wise	<b>HWTF:</b> hex washer head thread forming	<b>SRH:</b> slotted round head
<b>CW:</b> clockwise	<b>HWTF:</b> hex washer head thread forming	<b>STD:</b> standard
<b>CW:</b> clockwise	<b>HYD:</b> hydraulic	<b>TAP:</b> self tapping
<b>DEG:</b> degrees	<b>LH:</b> left hand	<b>TTH:</b> torx truss head
<b>ECM:</b> electronic control module	<b>NI:</b> nylon insert	
<b>ECM:</b> electronic control module	<b>NPTF:</b> national pipe thread fine	
<b>EXT:</b> external	<b>PFH:</b> phillips flat head	
<b>FH:</b> flat head	<b>PPH:</b> phillips pan head	
<b>GA:</b> gauge	<b>PPHTF:</b> phillips pan head thread forming	
<b>HD:</b> heavy-duty	<b>PRH:</b> phillips round head	
<b>HF:</b> hex flange	<b>PTH:</b> phillips truss head	
<b>HH:</b> hex head	<b>PTO:</b> power-take-off	
<b>HHF:</b> hex head flange	<b>RH:</b> right hand	
<b>HHFTF:</b> hex head flange thread forming	<b>ROPS:</b> roll-over protection system	
<b>HJ:</b> hex jam		

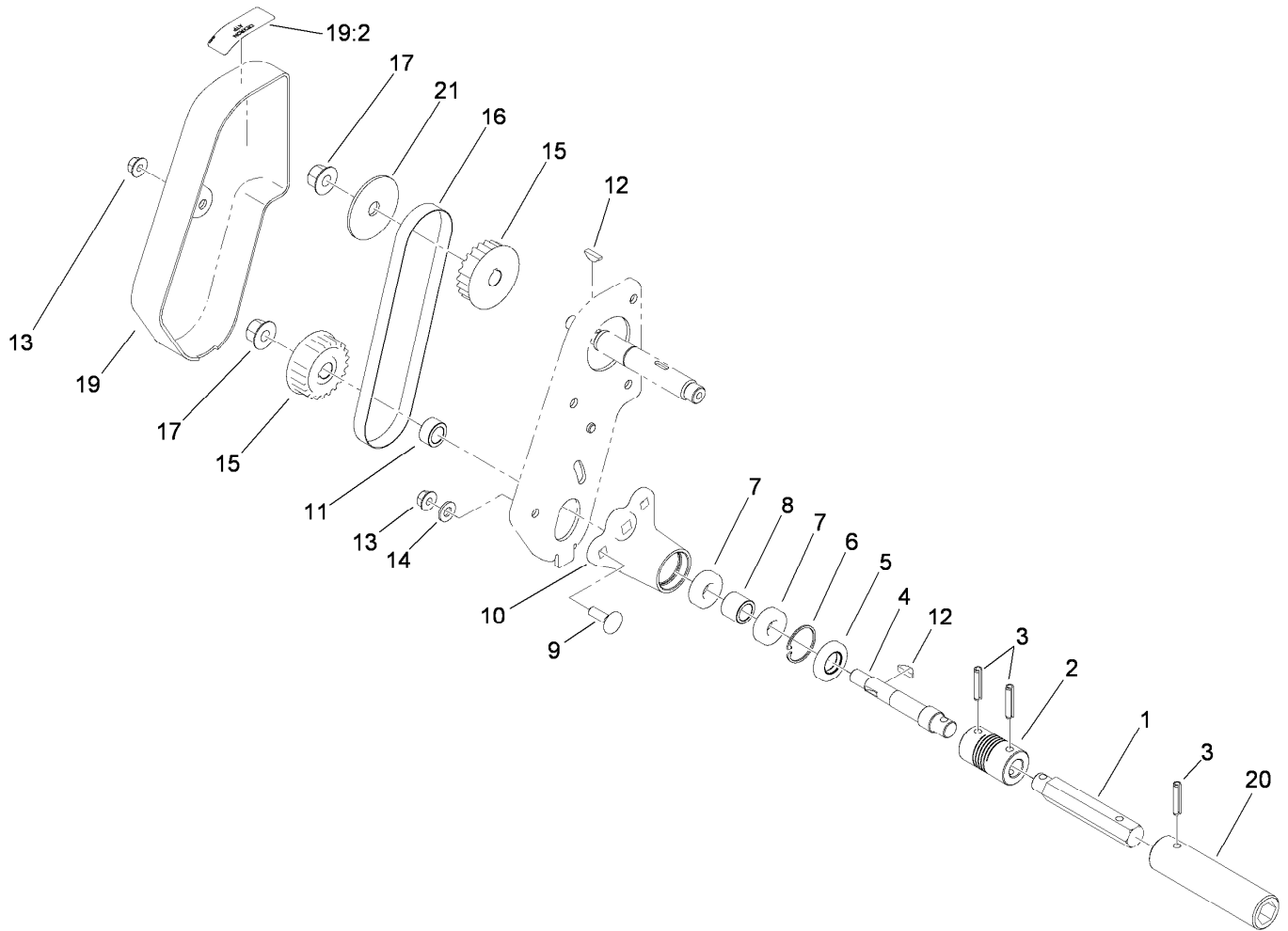
# Contents

Frame Assembly.....	4
Reel Drive Assembly.....	5
Drum Drive and Basket Assembly.....	6
Gearbox and Engine Assembly.....	7
Gearbox Assembly.....	8
Differential Assembly No. 99-2038.....	10
Handle Assembly.....	11
Cylinder and Crankcase Assembly.....	13
Piston and Crankshaft Assembly.....	14
Valve and Camshaft Assembly.....	15
Lubrication Equipment Assembly.....	16
Cooling Equipment Assembly.....	17
Electric Equipment Assembly.....	18
Control Equipment Assembly.....	19
Carburetor Assembly.....	20
Air Filter and Muffler Assembly.....	21
Fuel Tank and Valve Assembly.....	22
Starter Assembly.....	23
Label Set.....	24
Attachments and Accessories.....	25



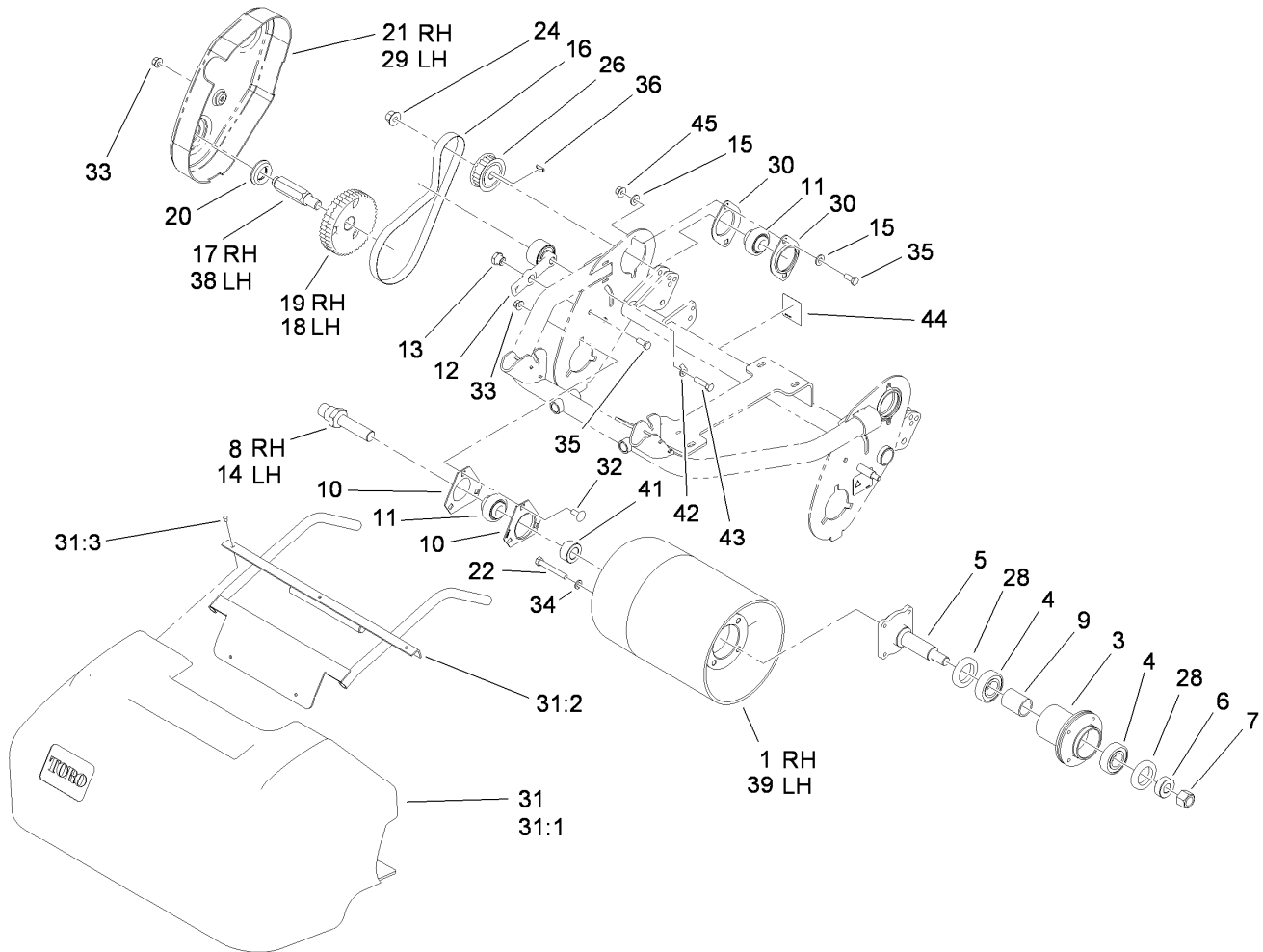
## Frame Assembly

<b>Ref.</b>	<b>Part Number</b>	<b>Qty.</b>	<b>Description</b>	<b>Ref.</b>	<b>Part Number</b>	<b>Qty.</b>	<b>Description</b>
1	110-2401	1	Frame ASM	14	65-7510	2	Grommet-Handle
1:2	93-9356	2	Decal-Warning, Belt	15	99-3778-03	1	Kickstand
1:3	93-9389	2	Decal-Warning, Belt (Japan)	16	33115-070	2	Screw-HH
2	104-9798-01	1	Front Frame ASM	17	93-6024	3	Bushing-Support, Handle
3	93-2561	8	Bushing-Flange	18	65-7910	1	Spacer
4	99-2063	4	Link ASM	19	108-3177	2	Spacer-Hub
5	104-2611	6	Nut-HF	20	99-2058	2	Spacer-Support, Handle
6	99-2070-01	2	Base-Engine	21	33114-100	1	Screw-HH
7	33095-00	2	Washer-Flat	22	33114-045	1	Screw-HH
8	33094-00	8	Washer-Plain	23	33114-030	3	Screw-HH
9	117-1350	8	Nut-HF, Lock	24	104-0502	1	Spacer-Kickstand, Long
10	93-6029	2	Pin-Clevis, Ring	25	99-2011	1	Spring-Torsion
11	3290-467	2	Pin-Hair	27	33115-025	2	Screw-HH
12	105-9939	1	Strap-Support, Cable	28	33114-025	3	Screw-HH
13	99-3774-03	2	Arm-Handle				



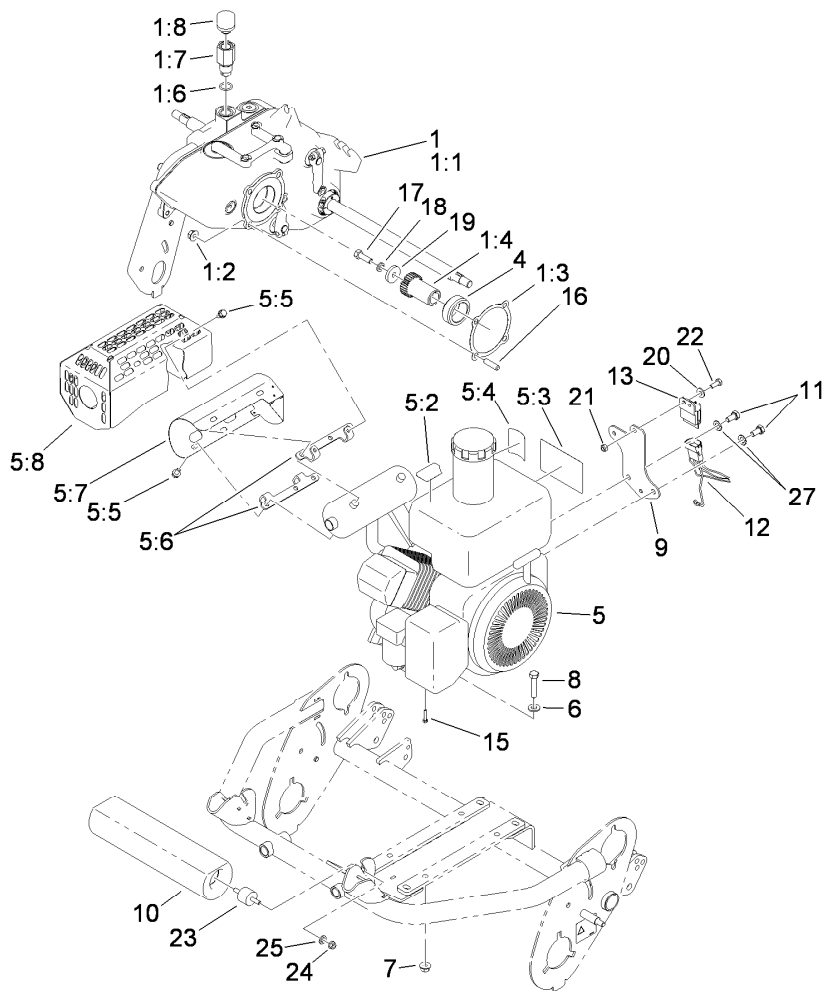
## Reel Drive Assembly

<i>Ref.</i>	<i>Part Number</i>	<i>Qty.</i>	<i>Description</i>
1	110-2389	1	Shaft-Hex
2	99-3757	1	Coupling-Flex
3	32121-69	3	Pin-Spring
4	110-2382	1	Shaft-Drive, Reel
5	107-3205	1	Seal-Oil
6	32151-51	1	Ring-Retaining
7	251-336	2	Bearing-Ball
8	99-2079	1	Spacer
9	33124-025	2	Screw-CARR
10	99-2083	1	Housing-Bearing
11	110-2381	1	Spacer
12	3257-30	2	Key-Woodruff
13	117-1350	3	Nut-HF, Lock
14	33094-00	2	Washer-Plain
15	107-9044	2	Pulley-22 Tooth
16	99-2022	1	Belt
17	115-1115	2	Nut-HHF, Lock
19	110-2286	1	Belt Cover ASM
19:2	105-2411	1	Decal-Oil, HYD
20	110-2390	1	Tube-Hex
21	104-0532	1	Washer-Pulley



## Drum Drive and Basket Assembly

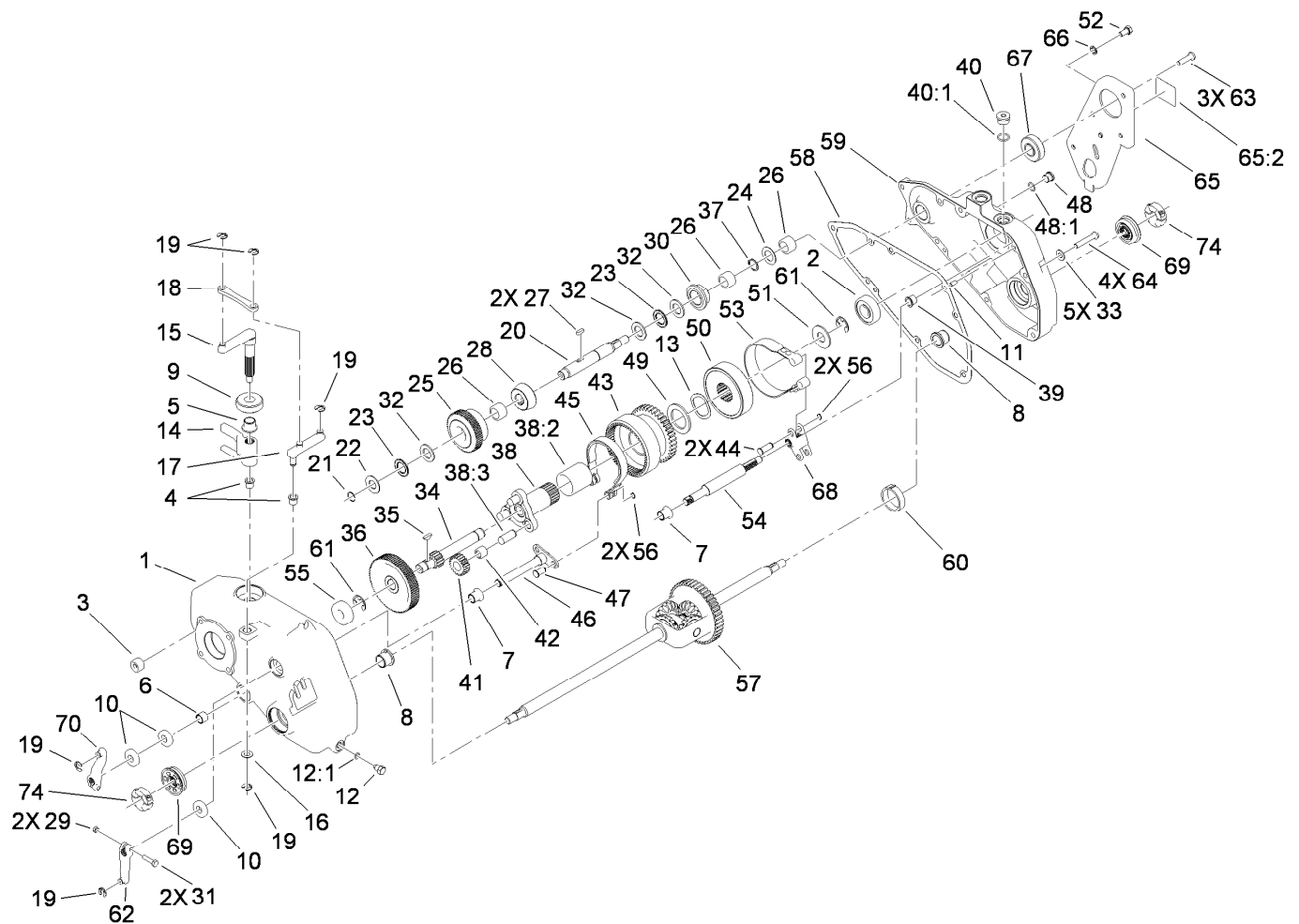
Ref.	Part Number	Qty.	Description	Ref.	Part Number	Qty.	Description
1	107-3210	1	Drum-Traction, RH	24	115-1115	2	Nut-HHF, Lock
3	107-3214	1	Hub-Drum	26	110-2315	2	Pulley-Driver, 22 Tooth
4	251-82	2	Bearing-Ball	28	253-159	2	Seal
5	107-3215	1	Spindle-Drum	29	105-5327	1	Cover-Drum, LH
6	65-6530	1	Spacer	30	700083	4	Flangette-Bearing
7	33028-00	1	Nut-Lock, NI	31	110-2380	1	Basket With Frame ASM
8	107-3206	1	Shaft-Drum, RH	31:1	105-2439	1	Basket-Grass
9	65-6520	1	Spacer	31:2	112-9462-03	1	Basket Frame ASM
10	108-8626	4	Flange-Triangular	31:3	3269-28	5	Rivet-Pop
11	106-8448	4	Bearing-Race, Extended	32	33124-020	6	Screw-CARR
12	117-1434	2	Idler ASM	33	117-1350	8	Nut-HF, Lock
13	105-5770	2	Nut-Shoulder	34	3253-4	8	Washer-Lock
14	107-3207	1	Shaft-Drum, LH	35	33114-020	6	Screw-HH
15	33094-00	8	Washer-Plain	36	3257-30	2	Key-Woodruff
16	117-1353	2	Belt-Traction	38	107-3224	1	Shaft-Wheel, Transport (LH)
17	107-3216	1	Shaft-Wheel, Transport (RH)	39	107-3211	1	Drum-Traction, LH
18	110-2290	1	Pulley-Driven, Traction (LH)	41	106-8417	2	Spacer-Shaft, Drum
19	110-2289	1	Pulley-Driven, Traction (RH)	42	107-8180	2	Washer-Tab
20	104-0533	2	Seal-Cover, Drum	43	33114-030	2	Screw-HH
21	105-5326	1	Cover-Drum, RH	44	108-3172	1	Decal-Europe Noise, 98Db
22	33114-060	8	Screw-HH	45	98-0668	4	Nut



## Gearbox and Engine Assembly

<i>Ref.</i>	<i>Part Number</i>	<i>Qty.</i>	<i>Description</i>	<i>Ref.</i>	<i>Part Number</i>	<i>Qty.</i>	<i>Description</i>
1	117-1457	1	Gearbox Service ASM	8	33114-040	4	Screw-HH
1:1		1	Gearbox ASM ●	9	117-1365-03	1	Plate-Harness, Wire
1:2	117-1350	4	Nut-HF, Lock	10	107-8191-01	1	Damper-13Lbs
1:3	99-2052	1	Gasket-Flange	11	33114-016	2	Screw-HH
1:4	110-2445	1	Gear-Engine, 28 Tooth	12	117-1410	1	Harness-Wire
1:6	237-79	1	O-Ring	13	1-323430	1	Module-Interlock
1:7	117-1453	1	Adapter-Vent	15	94-9015	1	Screw-HH
1:8	117-1446	1	Vent-Breather	16	108-9446	4	Screw-Set
4	99-2001	1	Adapter-Engine	17	3210-5	1	Screw-HH
5	115-1064	1	Engine ASM	18	3253-4	1	Washer-Lock
5:2	115-1615	1	Decal-Surface, Hot	19	65-8270	1	Washer
5:3	115-1613	1	Decal-Danger	20	3256-22	1	Washer-Flat
5:4	93-9886	1	Decal-Fuel	21	33023-00	1	Nut-Lock
5:5	104-2628	8	Screw-HWH	22	33113-016	1	Screw-HH
5:6	104-9771	2	Bracket-Guard, Muffer	23	110-2259	2	Mount-Isolator
5:7	110-7359	1	Muffer Shield ASM	24	33003-00	2	Nut-HF
5:8	110-7361-03	1	Guard-Muffer	25	107-7601	2	Washer-Tab
6	33094-00	4	Washer-Plain	27	3255-9	2	Washer-Lock
7	117-1350	8	Nut-HF, Lock				

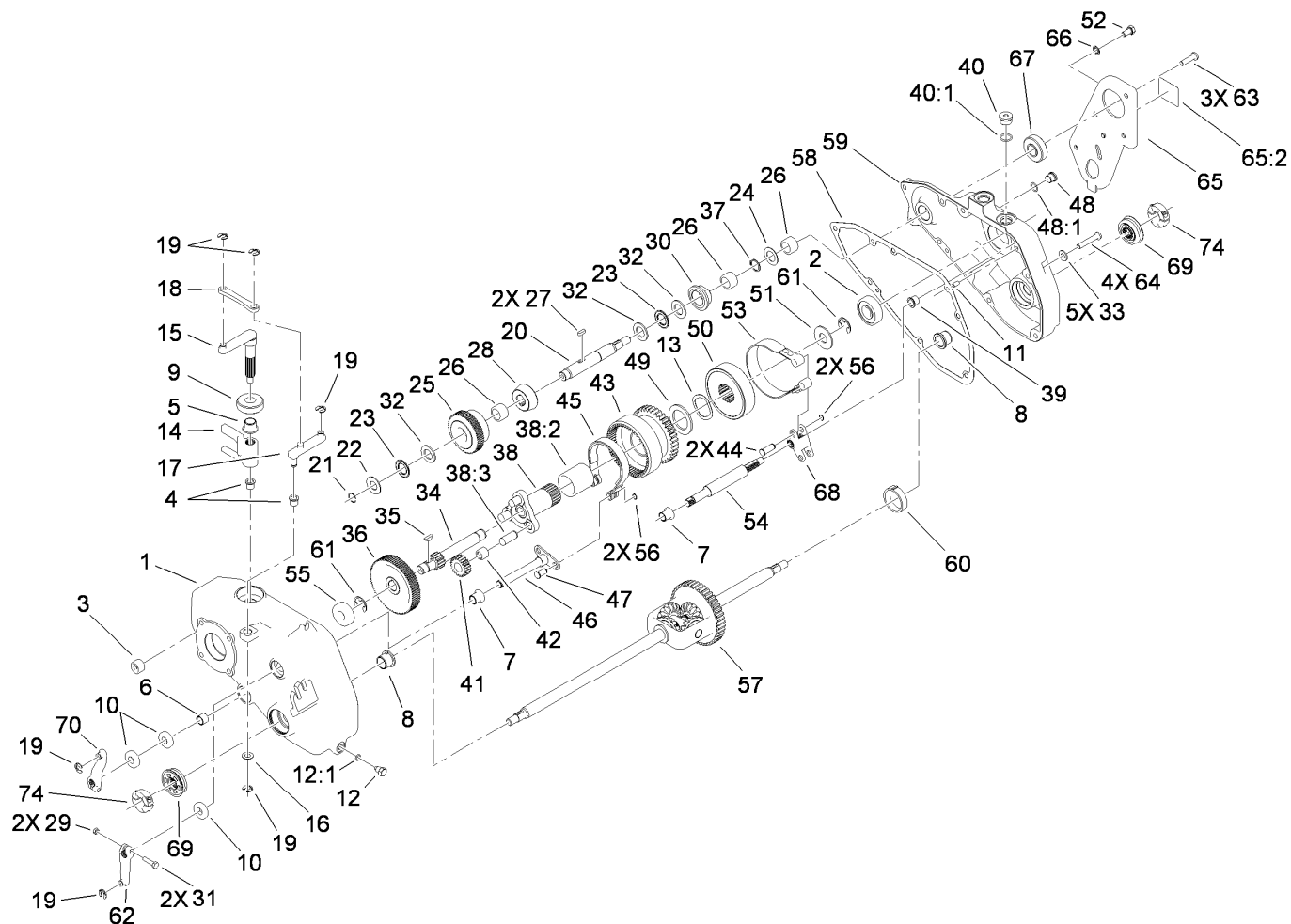
● Not serviced separately



## Gearbox Assembly

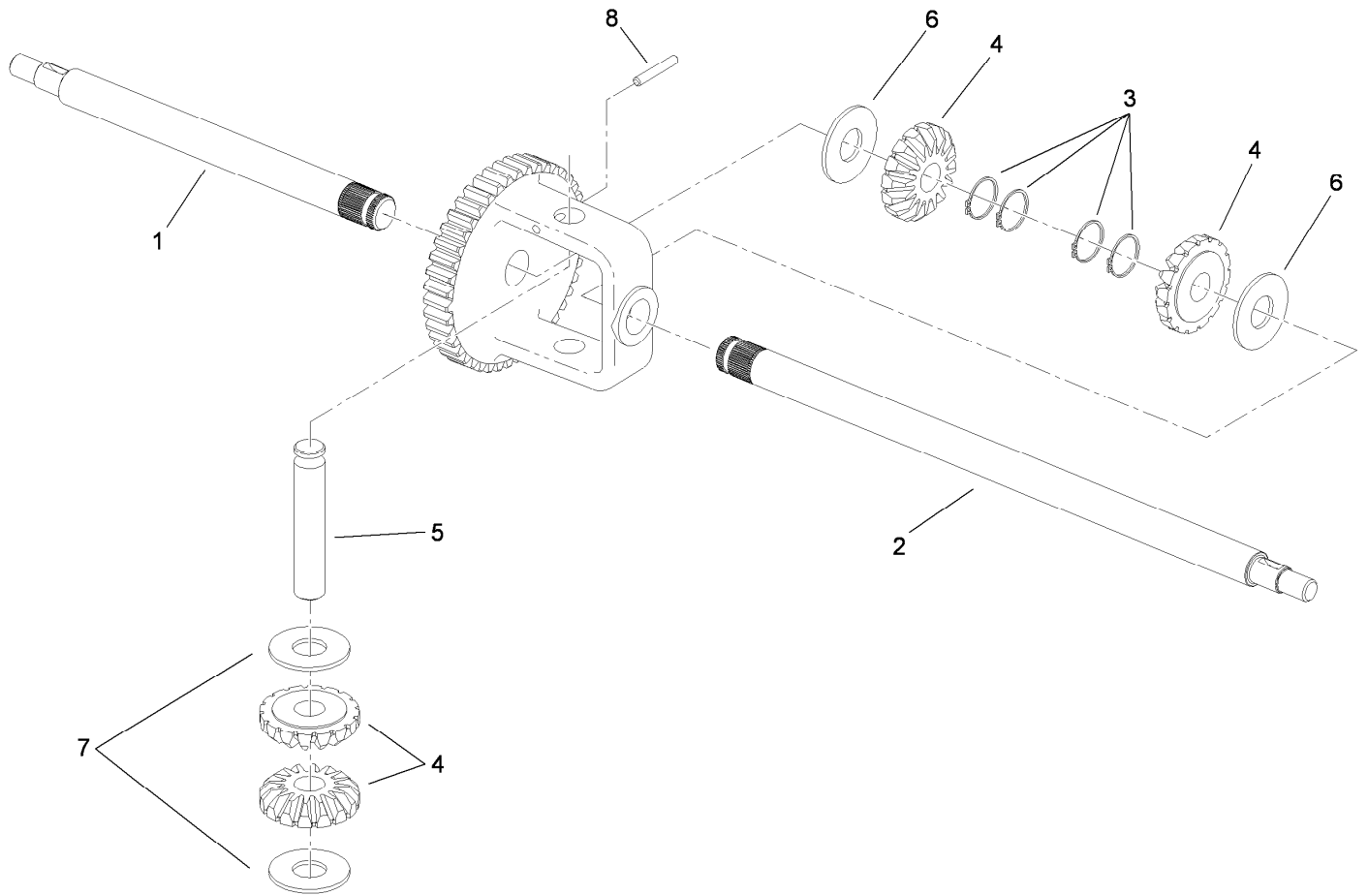
Ref.	Part Number	Qty.	Description	Ref.	Part Number	Qty.	Description
1	117-1450	1	Housing-Gearbox	27	99-2059	2	Key
2	110-7339	1	Bearing-Ball	28	107-3232	1	Cone ASM
3	98-4194	1	Bearing-Needle, Caged	29	33023-00	2	Nut-Lock
4	256-316	2	Bushing	30	110-2459	1	Hub-Plunger
5	256-287	1	Bushing	31	33113-025	2	Screw-HH
6	256-1	1	Bushing	32	99-3807	3	Washer-Thrust
7	256-219	2	Bushing	33	33094-00	5	Washer-Plain
8	99-2062	2	Bushing-Keyed, Flanged	34	107-8128	1	Shaft-Sun
9	99-3842	1	Seal-Oil	35	3257-30	1	Key-Woodruff
10	99-2056	3	Seal-Oil	36	110-2442	1	Gear-Traction, 78 Tooth (Crowned)
11	95-0715	2	Pin-Dowel	37	32120-72	1	Ring-Snap
12	110-2455	1	Fitting-Plug, Magnetic	38	110-2439	1	Carrier ASM
12:1	237-118	1	O-Ring	38:2	104-0524	1	Bushing-Carrier
13	105-9944	1	Washer-Wave, Spring	38:3	107-9031	3	Pin-Dowel
14	99-2014	1	Fork-Clutch	39	104-9776	1	Bushing-Flanged
15	99-2015	1	Shaft-Fork	40	353-988	1	Plug-Hex
16	37-8080	1	Washer-Thrust	40:1	237-79	1	O-Ring
17	110-2450	1	Lever-Bellcrank	41	106-4694	3	Gear-Spur
18	99-3780	1	Link	42	48-2060	3	Bearing-Roller
19	32151-47	6	Ring-Retaining	43	110-2451	1	Gear-Ring, Planetary
20	115-1117	1	Shaft-Clutch, Reel	44	106-8444	2	Pin-Clevis, Long
21	99-3805	1	Ring-Retaining	45	99-2049	1	Band-Brake
22	99-3806	1	Washer-Thrust	46	99-2020	1	Shaft-Brake
23	99-3836	2	Bearing-Thrust	47	106-8445	2	Pin-Clevis, Short
24	99-3837	1	Washer-Thrust	48	353-989	1	Plug-Hex, Hollow
25	110-2444	1	Gear-Clutch, 55 Tooth (Reel Crowned)	48:1	237-42	1	O-Ring
26	1523	3	Bearing-Needle	49	99-2054	1	Washer-Thrust





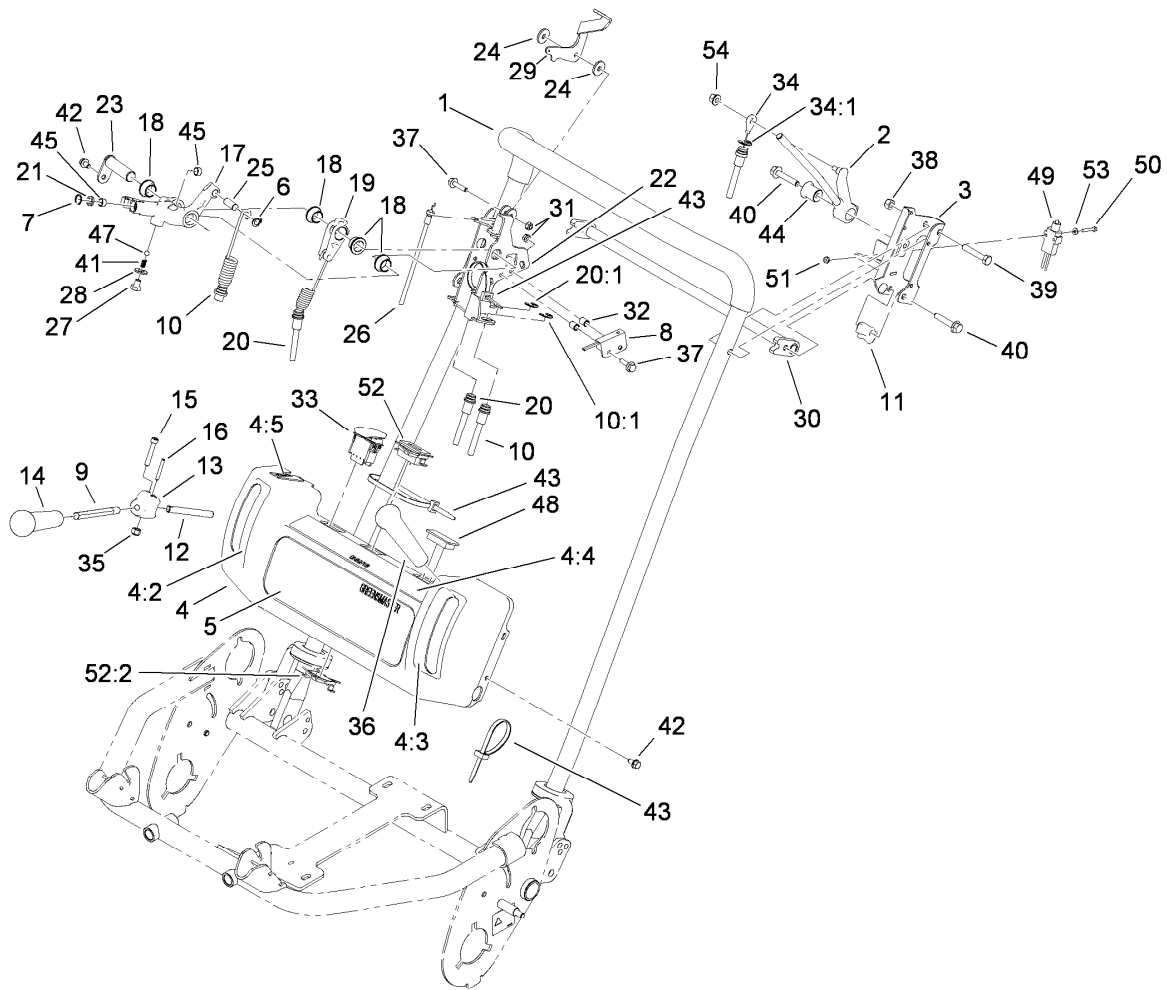
## Gearbox Assembly (continued)

<i>Ref.</i>	<i>Part Number</i>	<i>Qty.</i>	<i>Description</i>	<i>Ref.</i>	<i>Part Number</i>	<i>Qty.</i>	<i>Description</i>
50	110-2452	1	Drum-Clutch, Traction	62	99-3761	1	Lever-Gearbox
51	99-2055	1	Washer-Thrust	63	99-6208	3	Screw-HSH
52	33114-016	1	Screw-HH	64	99-6207	4	Screw-HSBH
53	107-9042	1	Clutch Band ASM	65	110-2293	1	Drive Plate ASM
54	105-9937	1	Shaft-Clutch, Traction	65:2	93-9389	1	Decal-Warning, Belt (Japan)
55	251-6	1	Bearing-Ball	65:2	93-9356	1	Decal-Warning, Belt
56	32120-46	4	Ring-Retaining	66	3254-2	1	Washer-Lock, Internal
57	99-2038	1	Differential ASM	67	105-2429	1	Seal-Oil
58	117-1452	1	Gasket-Gearbox	68	105-9938	1	Hub-Clutch, Traction
59	117-1451	1	Cover-Gearbox	69	117-1443	2	Seal-Oil, Vented Gearbox
60	99-2061	1	Bushing-Keyed	70	110-3451	1	Lever-Gearbox
61	32151-48	2	E-Ring	74	117-1388	2	Collar Assembly



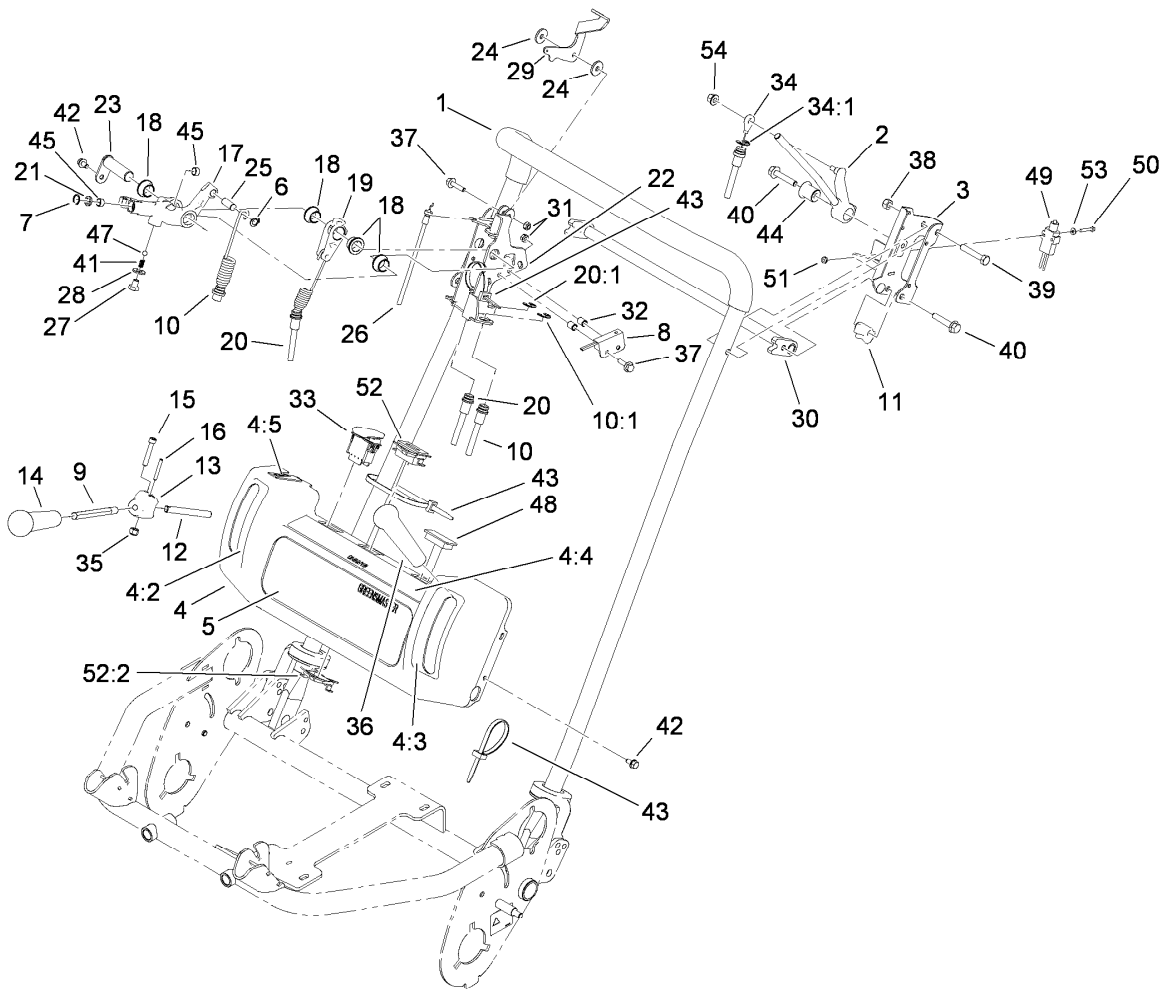
## Differential Assembly No. 99-2038

<i>Ref.</i>	<i>Part Number</i>	<i>Qty.</i>	<i>Description</i>
1	105-2402	1	Axle (Short)
2	105-2403	1	Axle (Long)
3	95-5746	2	Ring-Retaining
4	105-2405	1	Gear Set-Differential
5	105-2404	1	Pin-Drive
6	95-5745	2	Washer
7	105-2406	2	Washer-Thrust
8	32121-79	1	Pin-Roll



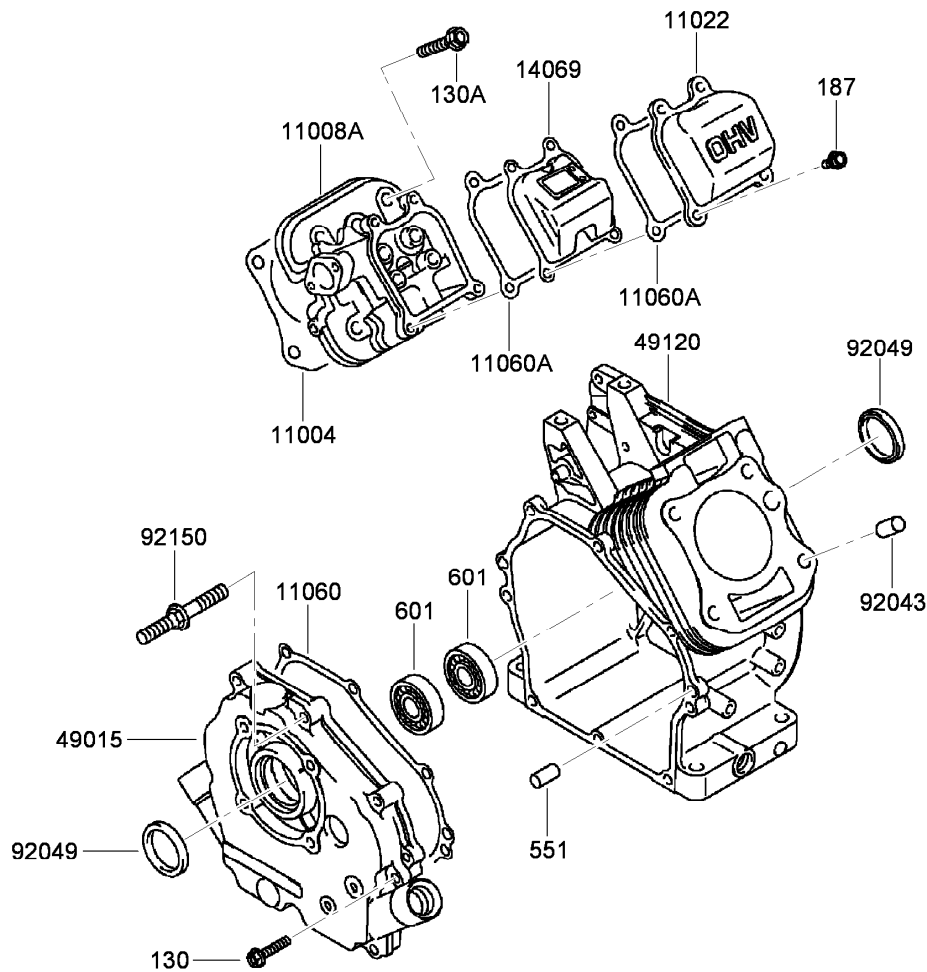
## Handle Assembly

Ref.	Part Number	Qty.	Description	Ref.	Part Number	Qty.	Description
1	110-2414	1	Handle	23	99-3833	1	Pin-Lever, Reel
2	117-1361	1	Lever-Brake, Console	24	66-2921	2	Washer-Friction
3	117-1363-03	1	Brake Bracket ASM	25	104-9782	1	Pin-Dowel
4	115-1123	1	Console ASM	26	104-2620	1	Cable-Throttle
4:2	104-2617	1	Decal-Lever, Traction	27	108-8646	1	Screw-HH, Lock
4:3	104-2618	1	Decal-Lever, Brake	28	33094-00	1	Washer-Plain
4:4	115-1614	1	Decal-Warning	29	108-3179	1	Lever-Throttle
4:5	93-6085	1	Decal-Throttle	30	112-9425	1	Handle-Crossmember
5	105-9916	1	Decal-Console, Main	31	33023-00	3	Nut-Lock
6	105-2410	1	Ring-Retaining	32	105-2401	2	Spacer-Cable, Brake
7	105-5324	1	Ring-Retaining	33	112-9420	1	Switch-Engine
8	100-1270	1	Switch-Proximity	34	99-6214	1	Cable-Brake
9	105-5319	1	Rod-Handle	34:1	32120-47	1	Ring-Retaining, External
10	105-5328	1	Cable-Clutch, Traction	35	3296-42	1	Nut-Lock, NI
10:1	32120-47	1	Ring-Retaining, External	36	104-9774	1	Knob-Red
11	110-2415	2	Clamp-Handle	37	33103-025	3	Screw-HHF
12	99-3835	1	Pin	38	33024-00	2	Nut-Lock
13	104-9761	1	Hub-Mount, Handle	39	33114-045	2	Screw-HH
14	104-9760	1	Knob-Black	40	112-9419	3	Screw-HHF, W/Lock
15	105-5349	1	Screw-HSH, Special	41	105-2443	1	Spring-Detent
16	32121-51	1	Pin-Roll	42	104-2628	5	Screw-HWH
17	104-9758	1	Lever-Control, Traction	43	3290-378	5	Tie-Cable
18	80-1290	4	Bushing	44	112-9317	1	Bushing-Flanged
19	99-3830	1	Lever-Reel	45	99-6247	2	Bushing-Bronze
20	99-3765	1	Cable-Clutch, Reel	47	105-2442	1	Ball-Detent
20:1	32120-47	1	Ring-Retaining, External	48	99-7420	1	Plug-Hole
21	105-2407	1	Wiper	49	95-8900	1	Switch
22	110-7334-03	1	Control Bracket ASM	50	32105-9	2	Screw



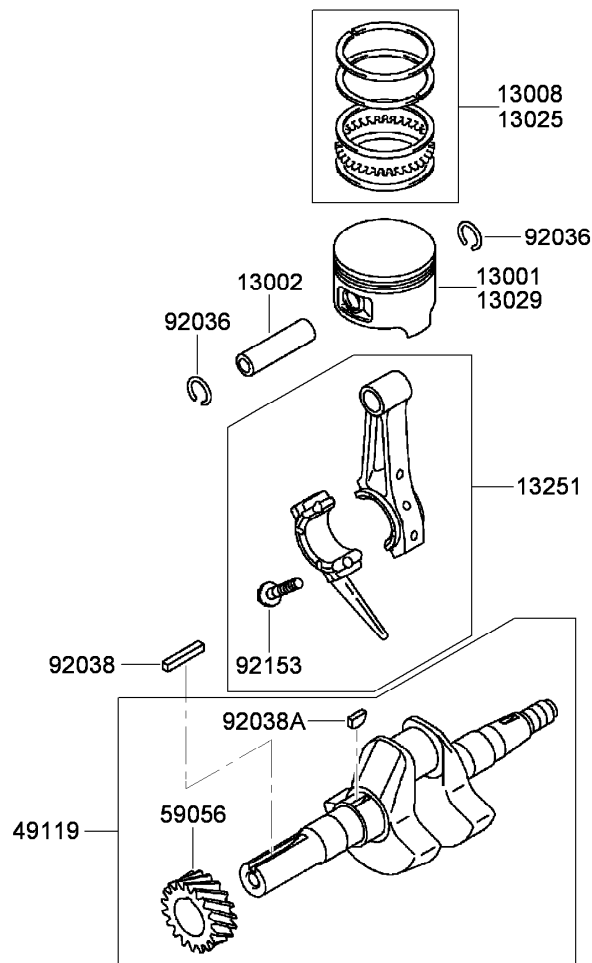
## Handle Assembly (continued)

<i>Ref.</i>	<i>Part Number</i>	<i>Qty.</i>	<i>Description</i>	<i>Ref.</i>	<i>Part Number</i>	<i>Qty.</i>	<i>Description</i>
51	3296-9	2	Nut-Lock	53	3269-6	2	Washer-Flat
52	104-4233	1	Meter-Hour	54	81-0130	1	Nut-Flange, NI
52:2	104-4234	1	Clip-Mounting				



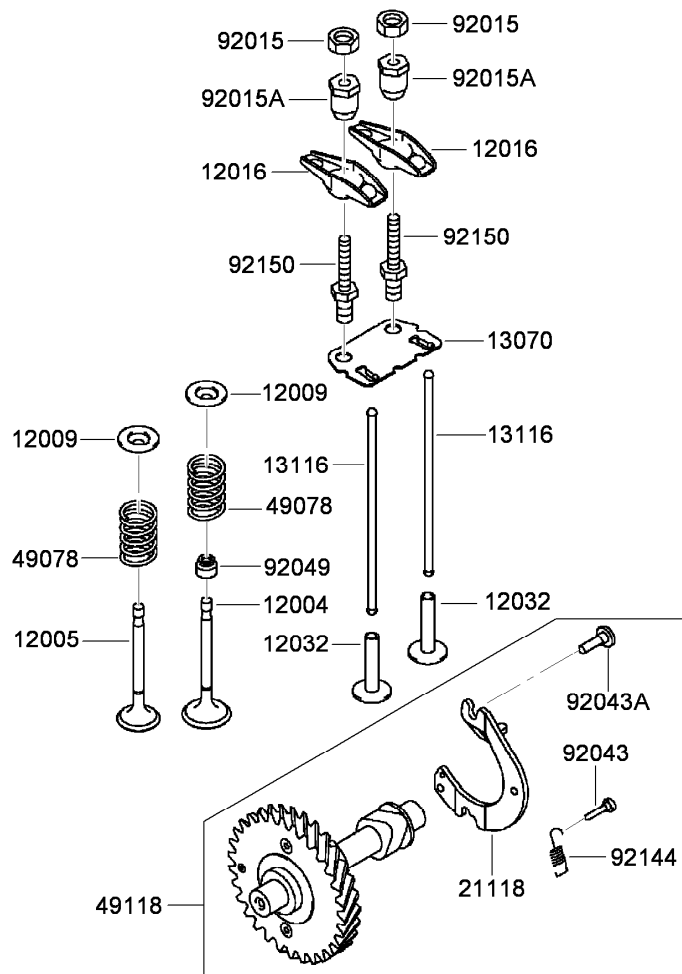
## Cylinder and Crankcase Assembly

<i>Ref.</i>	<i>Part Number</i>	<i>Qty.</i>	<i>Description</i>
130	108-2522	7	Bolt-Flanged (6X30)
130A	115-1759	4	Bolt-Flanged (8X45)
187	115-1760	4	Bolt-Upset, Wsp (6X16)
551	93-8516	2	Pin-Dowel (6X12)
601	93-8517	2	Bearing-Ball
11004	93-8504	1	Gasket-Head
11008A	115-1757	1	Head-Cylinder
11022	93-8508	1	Case-Rocker
11060	93-8525	1	Gasket-Cover, Crankcase
11060A	93-8509	2	Gasket-Case, Rocker
14069	93-8510	1	Breather
49015	93-8697	1	Cover-Crankcase
49120	93-8515	1	Crankcase
92043	93-8512	2	Pin
92049	93-8511	2	Seal-Oil
92150	93-8524	1	Stud



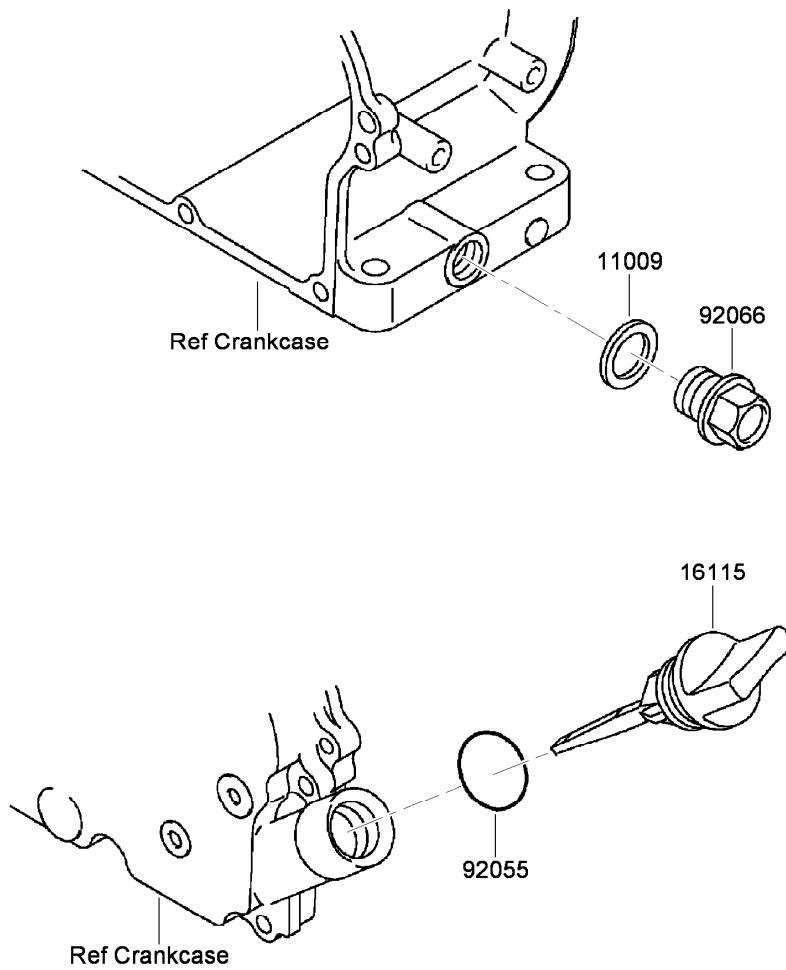
## Piston and Crankshaft Assembly

<i>Ref.</i>	<i>Part Number</i>	<i>Qty.</i>	<i>Description</i>
13001	93-8502	1	Piston
13002	93-8501	1	Pin-Piston
13008	93-8503	1	Set-Ring, Piston
13025	94-6837	1	Piston Ring Set (.05Mm)
13029	94-6836	1	Piston (0.5 O S)
13251	93-8528	1	Connecting Rod ASM
49119	93-8696	1	Crankshaft ASM
59056	94-9043	1	Gear-Helical
92036	93-8500	2	Ring-Retaining
92038	93-8526	1	Key
92038A	93-8698	1	Key
92153	115-1805	2	Bolt (6X30)



## Valve and Camshaft Assembly

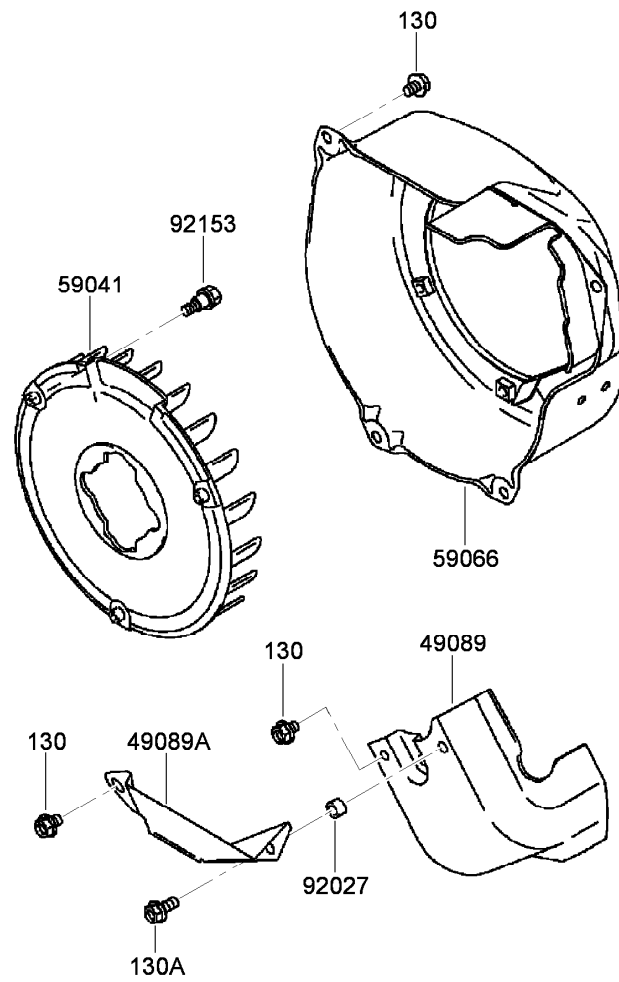
<i>Ref.</i>	<i>Part Number</i>	<i>Qty.</i>	<i>Description</i>
12004	93-8532	1	Valve-Intake
12005	93-8529	1	Valve-Exhaust
12009	93-8531	2	Retainer-Spring, Valve
12016	93-8535	2	Arm-Rocker
12032	93-8539	2	Tappet
13070	115-1758	1	Guide
13116	93-8538	2	Rod-Push
21118	93-8543	1	Decompressor
49078	115-1763	2	Spring-Valve, Engine
49118	93-8699	1	Camshaft ASM
92015	93-8533	2	Nut
92015A	93-8534	2	Nut
92043	93-8542	1	Pin
92043A	93-8540	2	Pin
92049	115-1762	1	Seal-Oil
92144	93-8541	1	Spring
92150	93-8536	2	Bolt



## Lubrication Equipment Assembly

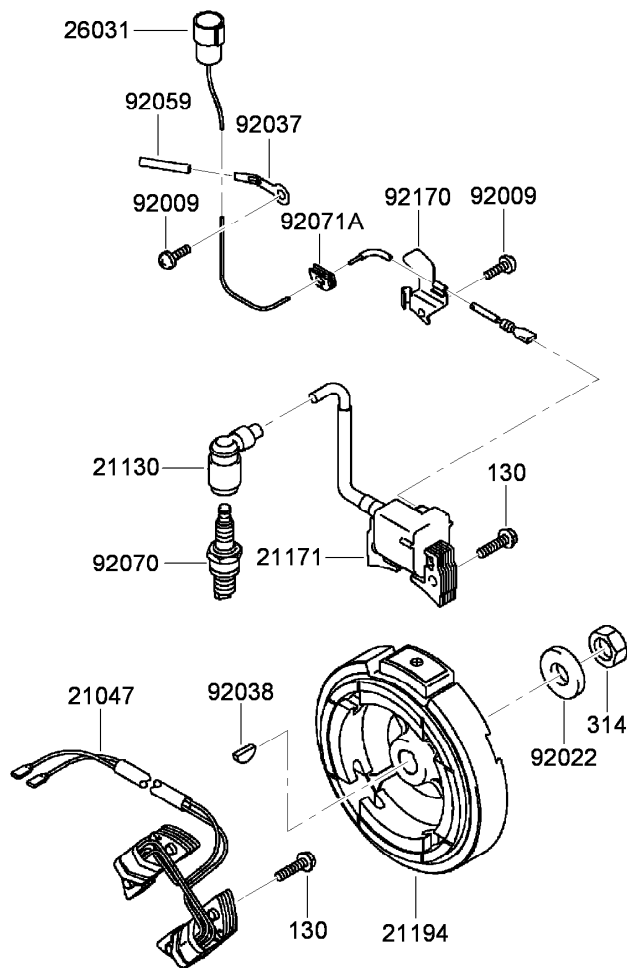
<i>Ref.</i>	<i>Part Number</i>	<i>Qty.</i>	<i>Description</i>
11009	93-8514	2	Gasket-Plug, Drain (14.2X19X2)
16115	93-8523	2	Cap-Filler, Oil
92055	94-9041	2	O-Ring (20Mm)
92066	115-1761	2	Plug (14X12)





## Cooling Equipment Assembly

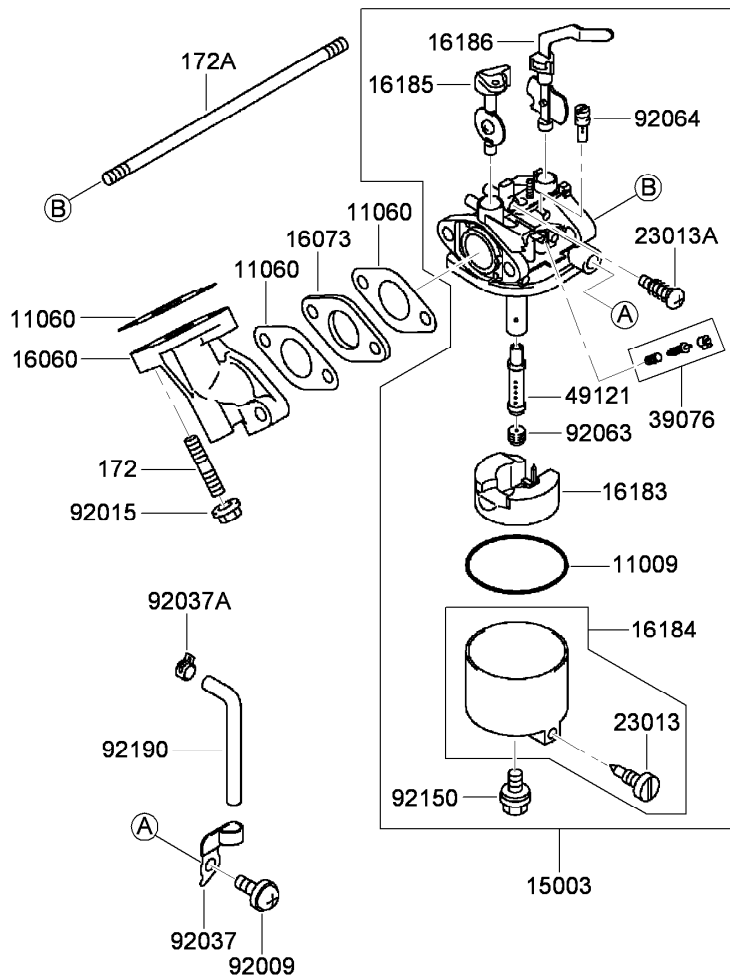
<i>Ref.</i>	<i>Part Number</i>	<i>Qty.</i>	<i>Description</i>
130	115-1765	7	Bolt-Flanged (6X8)
130A	115-1764	1	Bolt-Flanged (6X14)
49089	93-8563	1	Shroud-Engine
49089A	93-8565	1	Shroud-Engine
59041	93-8572	1	Fan
59066	115-1804	1	Housing-Fan
92027	93-8564	1	Collar (6.8X10X6)
92153	115-1766	3	Bolt



## Electric Equipment Assembly

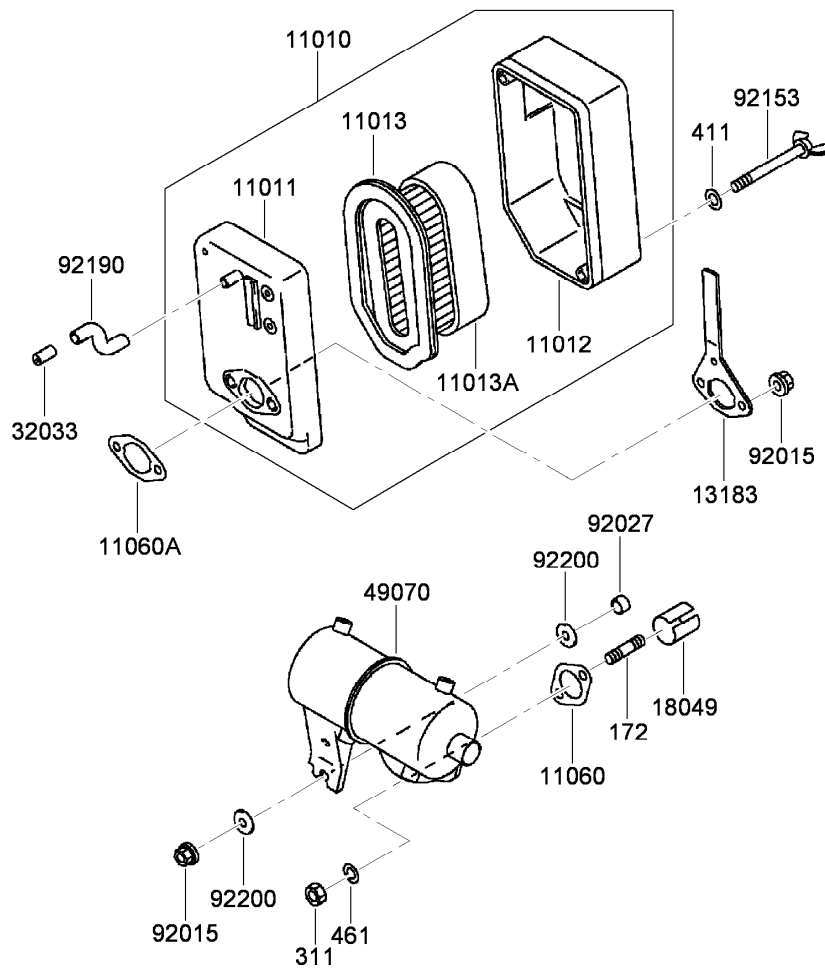
<i>Ref.</i>	<i>Part Number</i>	<i>Qty.</i>	<i>Description</i>
130	100-2610	6	Bolt-Flanged (6X25)
314	93-8568	1	Nut-Hex, Fine (14Mm)
21047	99-4267	1	Coil-Lighting
21130	KW10087	1	Cap-Sparkplug
21171	94-9031	1	Ignition Coil ASM
21194	99-6237	1	Flywheel ASM
26031	115-1767	1	Harness
92009	95-9716	2	Screw
92022	93-8569	1	Washer
92037	115-1771	1	Clamp
92038	93-8571	1	Key
92059	115-1768	1	Tube (5X6X75)
92070	108-2557	1	Sparkplug (Bpr5Es) (Ngk) Solid
92071A	115-1772	1	Grommet
92170	93-8583	1	Clamp





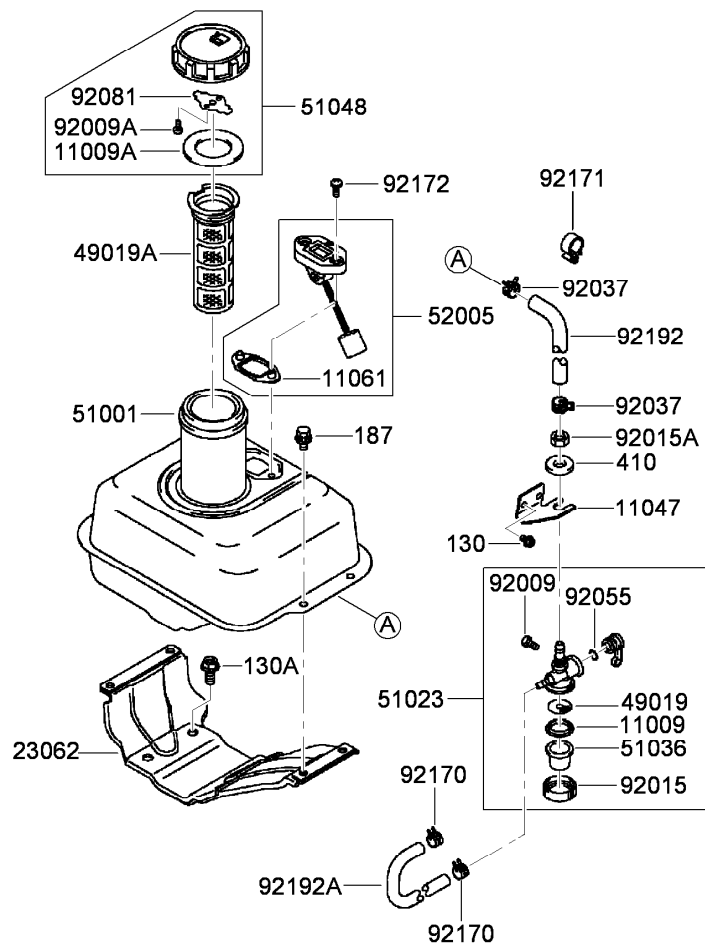
## Carburetor Assembly

Ref.	Part Number	Qty.	Description
172	93-8632	2	Bolt-Stud (6X18)
172A	115-1814	1	Bolt-Stud (6X73)
11009	93-8624	1	Gasket
11060	93-8613	3	Gasket
15003	94-9032	1	Carburetor ASM
16060	93-8633	1	Pipe-Intake
16073	94-9048	1	Insulator
16183	94-6844	1	Float ASM
16184	93-8625	1	Float Chamber ASM
16185	94-9033	1	Throttle Valve ASM
16186	93-8617	1	Choke Valve ASM
23013	93-8626	1	Screw ASM
23013A	93-8619	1	Screw ASM
39076	94-9034	1	Limiter
49121	94-9035	1	Nozzle-Main
92009	94-6845	1	Screw
92015	93-8631	2	Nut
92037	94-6846	1	Clamp
92037A	93-8629	1	Clamp
92063	94-9036	1	Jet-Main (No.65)
92064	94-9037	1	Jet-Pilot (No.40)
92150	93-8627	1	Bolt
92190	93-8630	1	Tube



## Air Filter and Muffler Assembly

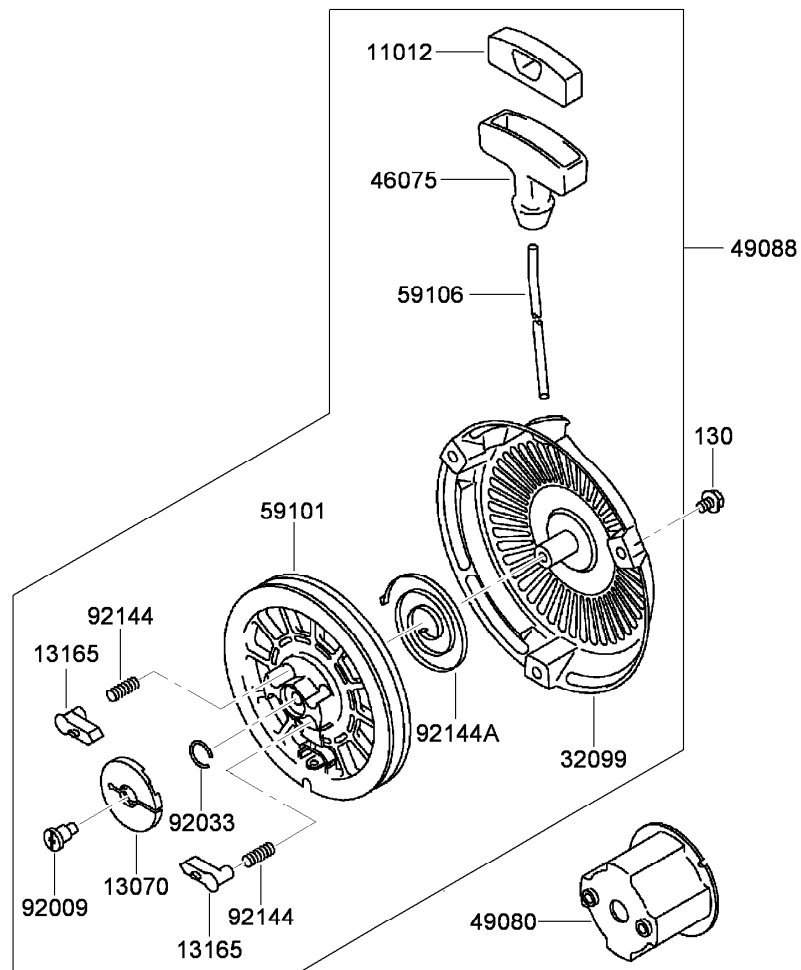
<i>Ref.</i>	<i>Part Number</i>	<i>Qty.</i>	<i>Description</i>
172	115-1819	2	Bolt-Stud (6X16)
311	93-8656	2	Nut-Hex (6Mm)
411	115-1816	2	Washer-Plain (5Mm)
461	93-8655	2	Washer-Spring (6Mm)
11010	93-8634	1	Air Filter ASM
11011	93-8635	1	Case Filter ASM
11012	93-8638	1	Cap-Filter, Air
11013	93-8636	1	Element-Filter, Air
11013A	93-8637	1	Element-Filter, Air
11060	93-8654	1	Gasket-Muffler
11060A	93-8657	1	Gasket-Filter, Air
13183	93-8642	1	Plate-Filter, Air
18049	93-8652	1	Pipe-Exhaust
32033	93-8658	1	Pipe
49070	115-1817	1	Muffler
92015	93-8631	3	Nut
92027	93-8651	1	Collar
92153	93-8640	2	Bolt
92190	93-8659	1	Tube
92200	93-8650	2	Washer (.5X18X2.0)



## Fuel Tank and Valve Assembly

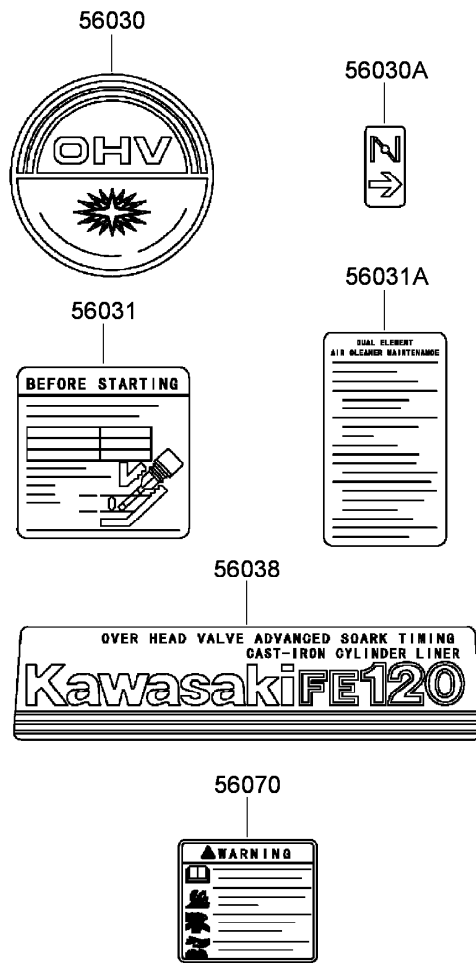
Ref.	Part Number	Qty.	Description
130	115-1864	2	Bolt-Flanged (5X8)
130A	115-1867	4	Bolt-Flanged (8X18)
187	115-1760	4	Bolt-Upset, Wsp (6X16)
410	93-8668	1	Washer-Plain (10Mm)
11009	93-8673	1	Gasket
11009A	93-8662	1	Gasket
11047	93-8681	1	Bracket
11061	104-2384	1	Gasket-Gauge, Fuel
23062	104-2383	1	Bracket-Tank
49019	94-6849	1	Filter-Tapper, Fuel
49019A	94-6826	1	Filter-Fuel
51001	104-2382	1	Tank-Fuel
51023	93-8669	1	Fuel Tapper ASM
51036	93-8674	1	Cup-Tapper, Fuel

Ref.	Part Number	Qty.	Description
51048	93-8660	1	Fuel Cap ASM
52005	93-8685	1	Gauge-Fuel
92009	93-8670	1	Screw
92009A	93-8661	2	Screw
92015	93-8675	1	Nut
92015A	94-9042	1	Nut
92037	115-1861	2	Clamp-Clip, Hose
92055	93-8671	1	O-Ring
92081	93-8663	1	Spring
92170	115-1865	2	Clamp
92171	115-1862	1	Clamp
92172	115-1860	2	Screw (5X12)
92192	115-1863	1	Tube (6.2X13.2X200)
92192A	115-1866	1	Tube (4X11X160)



## Starter Assembly

<i>Ref.</i>	<i>Part Number</i>	<i>Qty.</i>	<i>Description</i>
130	115-1765	3	Bolt-Flanged (6X8)
11012	94-9044	1	Cap-Grip
13070	93-8562	1	Guide-Pawl
13165	93-8554	2	Pawl-Starter, Recoil
32099	94-9046	1	Case-Starter, Recoil
46075	94-9045	1	Grip-Starter, Recoil
49080	93-8567	1	Pulley-Recoil
49088	93-8552	1	Recoil Starter ASM
59101	93-8556	1	Reel-Starter, Recoil
59106	93-8560	1	Rope (4X1500)
92009	93-8553	1	Screw
92033	93-8561	1	Ring-Retaining
92144	93-8555	2	Spring-Return
92144A	93-8557	1	Spring



## Label Set

<i>Ref.</i>	<i>Part Number</i>	<i>Qty.</i>	<i>Description</i>
56030	94-9027	1	Label-Recoil
56030A	93-8687	1	Decal-Choke
56031	93-8689	1	Decal-Instructions
56031A	93-8690	1	Decal-Maintenance
56038	94-9028	1	Label-Kawasaki
56070	93-8692	1	Decal-Warning



# Attachments and Accessories

## For 04024 Greensmaster Flex 21 Traction Unit

<b>Product Name</b>	<b>Model/Part</b>
Light Kit.....	04061
Out Front Brush Kit.....	04119
Wheel Kit.....	04123
11-Blade Cutting Unit.....	04202
14-Blade Cutting Unit.....	04208
Operator Presence Kit.....	112-9282
Spark Arrestor Kit.....	117-1441
MVP Filter and Spark Plug Kit.....	30065
Jet-Main, No. 62 (High Altitude).....	98-8735
Jet-Main, No. 60 (High Altitude).....	98-8736

**Notes:**

**Notes:**



**Count on it.**