



Count on it.

Parts Catalog

21in Walk-Behind Aerator

Model No. 23515—Serial No. 312000001 and Up

Model No. 33515—Serial No. 312000001 and Up



Ordering Replacement Parts

To order replacement parts, please supply the part number, the quantity, and the description of each part desired.

Understanding Reference Numbers

Each identified part in an illustration has a reference number. The reference number for a part also appears in the parts list, along with other information about the part.

This catalog uses two special reference number formats, one to indicate parts in a service assembly and another to indicate the quantity of a given part in an illustration.

Service Assembly Reference Numbers

Parts in service assemblies have reference numbers in the form a:b. The a represents the reference number of the entire service assembly and the b represents a sequential number unique to each part within the service assembly.

For example, a wheel assembly might be identified by reference number 6, the tire by 6:1, the valve by 6:2, and the wheel by 6:3. When you order the assembly identified by reference number 6, you receive all parts identified by reference numbers 6:1, 6:2, and 6:3. However, you may also order any part individually. Reference numbers of this type appear in illustration and in parts lists.

Reference Numbers Indicating Quantity

In an illustration, if a reference number indicates more than one part, the reference number has the form nX y. The n represents the quantity of the part, the X is the multiplication symbol, and the y represents the reference number.

For example, in an illustration, the reference number 2X 37 means that two of the parts identified by reference number 37 are indicated.

List of Abbreviations

AR: as required

ASM: assembly

BBC: blade brake control

BHTF: button head thread forming

CARR: carriage

CCW: counter clockwise

CW: clockwise

DEG: degrees

DPA: Dual Point Adjustment

ECM: electronic control module

EXT: external

FH: flat head

GA: gauge

HD: heavy-duty

HF: hex flange

HH: hex head

HHF: hex head flange

HHFTF: hex head flange thread forming

HJ: hex jam

HLH: hex lag head

HOC: height-of-cut

HSBH: hex socket button head

HSFH: hex socket flat head

HSH: hex socket head

HWH: hex washer head

HWTF: hex washer head thread forming

HYD: hydraulic

LH: left hand

LPG: Liquid Propane Gas

NI: nylon insert

NPTF: national pipe thread fine

PFH: phillips flat head

PPH: phillips pan head

PPHTF: phillips pan head thread forming

PRH: phillips round head

PTH: phillips truss head

PTO: power-take-off

RH: right hand

ROPS: roll-over protection system

RRB: rear roller brush

SFH: slotted fillister head

SHH: slotted hex head

SHWH: slotted hex washer head

SPH: slotted pan head

SQH: square head

SRH: slotted round head

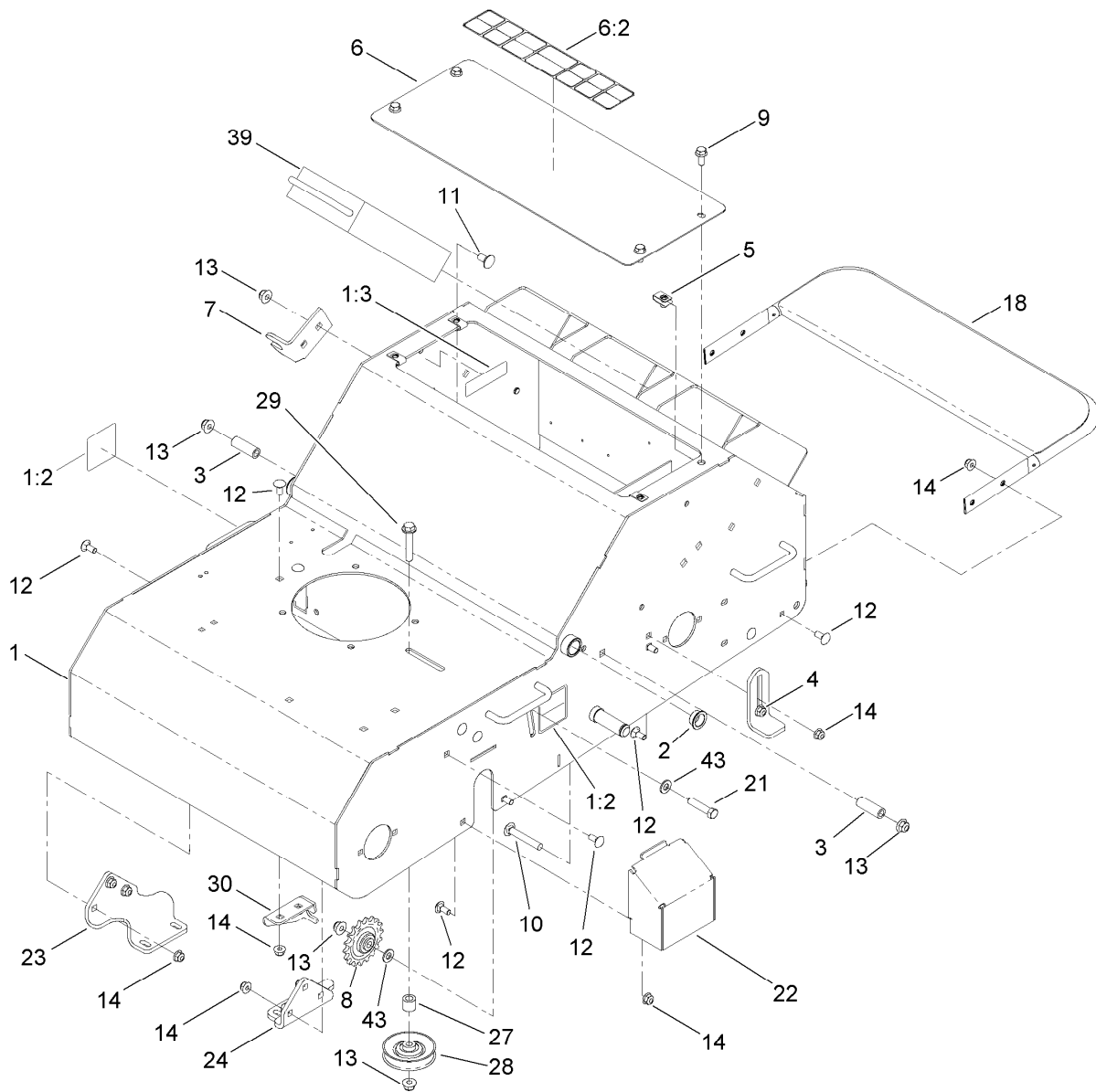
STD: standard

TAP: self tapping

TTH: torx truss head

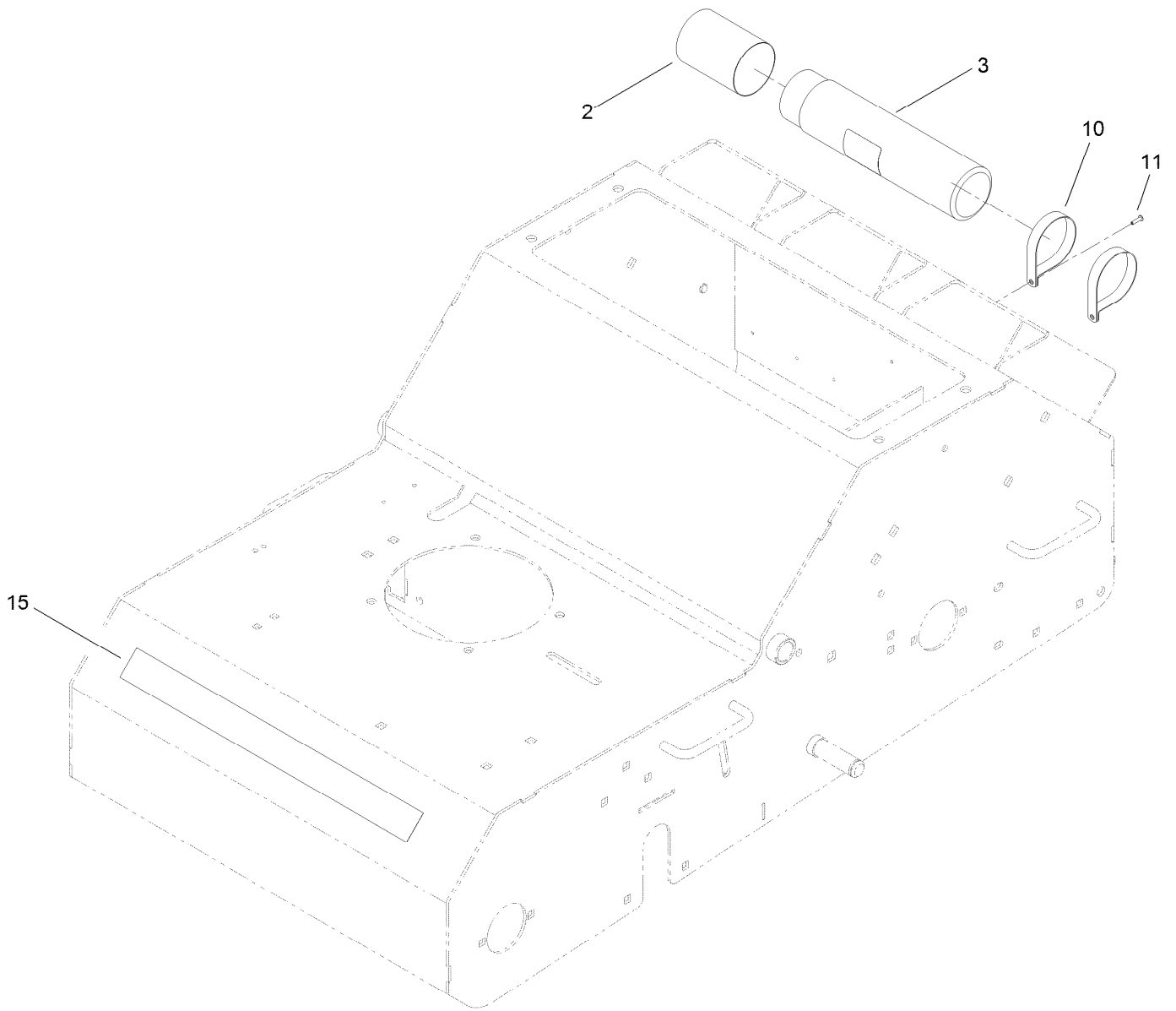
Contents

Frame Assembly.....	4
Manual Tube and Decal Assembly	5
Engine and Fuel Tank Assembly	6
Drive Assembly.....	7
Handle Assembly.....	8
Height Linkage Assembly.....	9
Tine Assembly	10



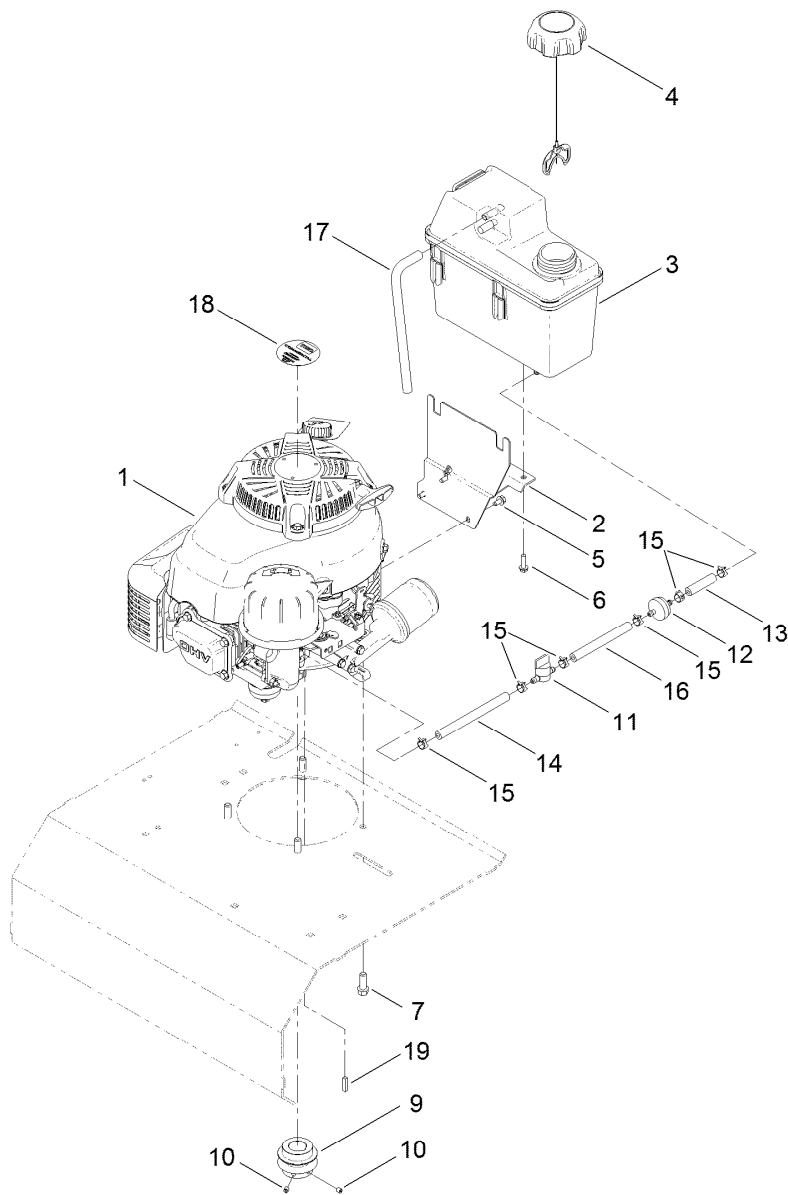
Frame Assembly

<i>Ref.</i>	<i>Part Number</i>	<i>Qty.</i>	<i>Description</i>	<i>Ref.</i>	<i>Part Number</i>	<i>Qty.</i>	<i>Description</i>
1	121-6194	1	Frame ASM	12	3230-1	20	Bolt-CARR
1:2	121-6150	2	Decal-Warning, Aerator	13	104-8301	7	Nut-Flange, NI
1:3	119-0217	1	Decal-Danger	14	104-8300	20	Nut-Flange, NI
2	108519	2	Bushing-Bronze	18	121-2034-03	1	Guard
3	95-6448	2	Spacer	21	323-9	2	Screw-HH
4	121-4871	2	Stop-Depth	22	121-1981-01	2	Cover-Transaxle
5	115-7721	4	Nut-Clip, U	23	121-4948-03	1	Bracket-Mount Axle, RH
6	121-6195	1	Cover ASM	24	121-4949-03	1	Bracket-Mount Axle, LH
6:2	121-2009	1	Decal-Warning, Aerator	27	121-6087	1	Bushing-Idler
7	121-4880	1	Bracket-Mount, Cable	28	62-4530	1	Pulley
8	121-4915	2	Sprocket-Idler	29	323-11	1	Screw-HH
9	3234-47	4	Screw-HHF	30	121-6056	1	Bracket-Mounting, Cable
10	3231-44	2	Screw-CARR	39	121-6080	1	Weight-Aerator
11	3231-1	2	Screw-CARR	43	3256-24	5	Washer-Flat



Manual Tube and Decal Assembly

<i>Ref.</i>	<i>Part Number</i>	<i>Qty.</i>	<i>Description</i>
2	104-7048	1	Cap-Housing
3	104-7050	1	Tube-Manual
10	2412-120	2	Clamp-R
11	3269-17	2	Rivet-Pop
15	121-6176	1	Decal

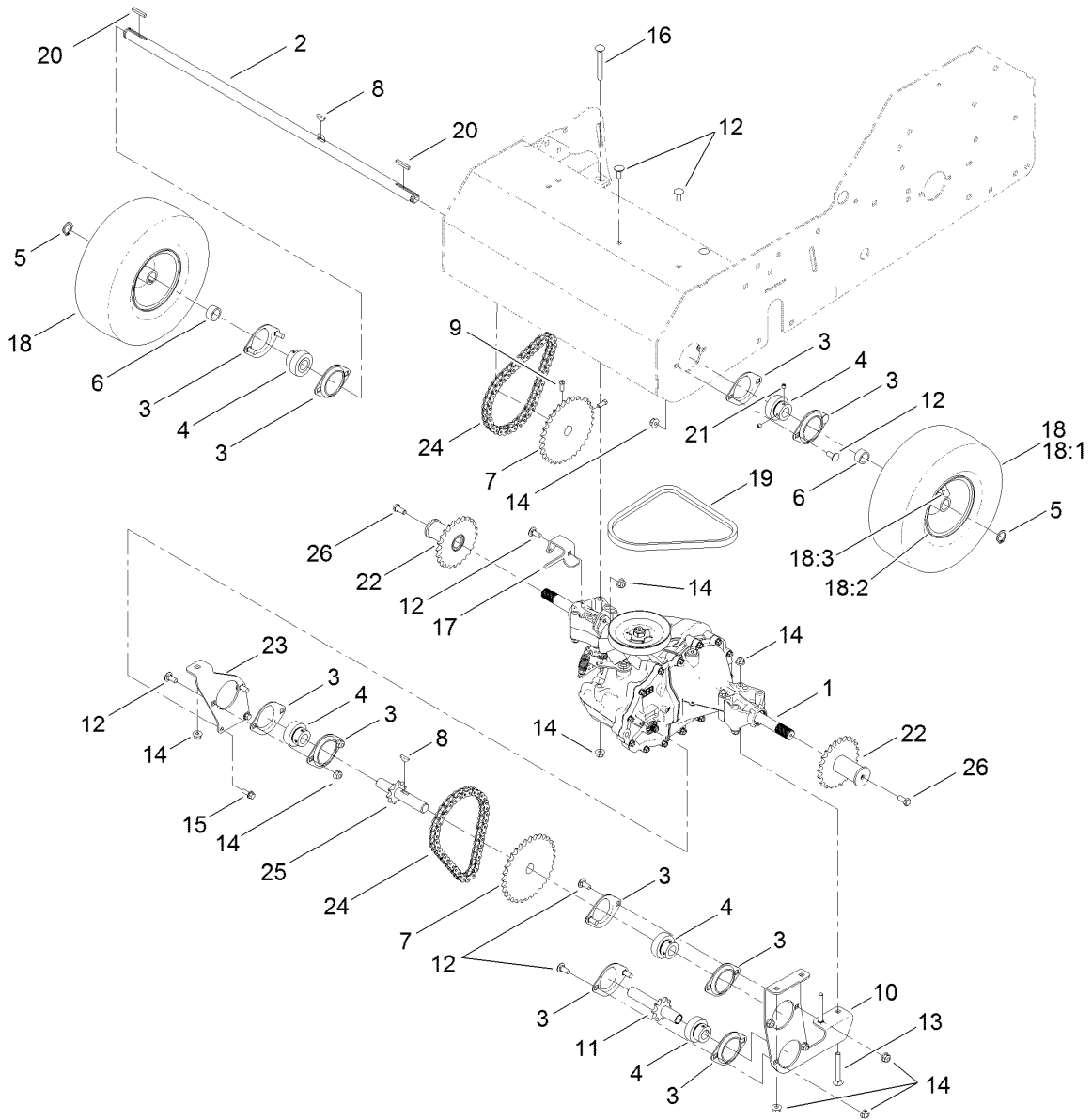


Engine and Fuel Tank Assembly

Ref.	Part Number	Qty.	Description	Ref.	Part Number	Qty.	Description
1		1	Engine-Kawasaki, Fj180V-Bm02-M ●■	11	1-603770	1	Valve-Fuel
2	115-0954-03	1	Tank Mount ASM	12	56-6360	1	Filter-Fuel
3	114-0280	1	Tank-Fuel	13	99-9415	1	Hose-Fuel
4	109-6776	1	Cap-Ratchet, Tethered	14	109-0300	1	Hose-Fuel
5	104-2628	3	Screw-HWH	15	2412-98	6	Clamp-Hose
6	46-8091	2	Screw-HWH	16	109-0650	1	Hose-Fuel
7	95-1726	4	Screw-Taptite	17	115-0962	1	Hose-Vent, Canister
9	121-2038	1	Pulley-Driver	18	112-9967	1	Decal
10	3245-35	2	Screw-Set, HSH	19	6366	1	Key

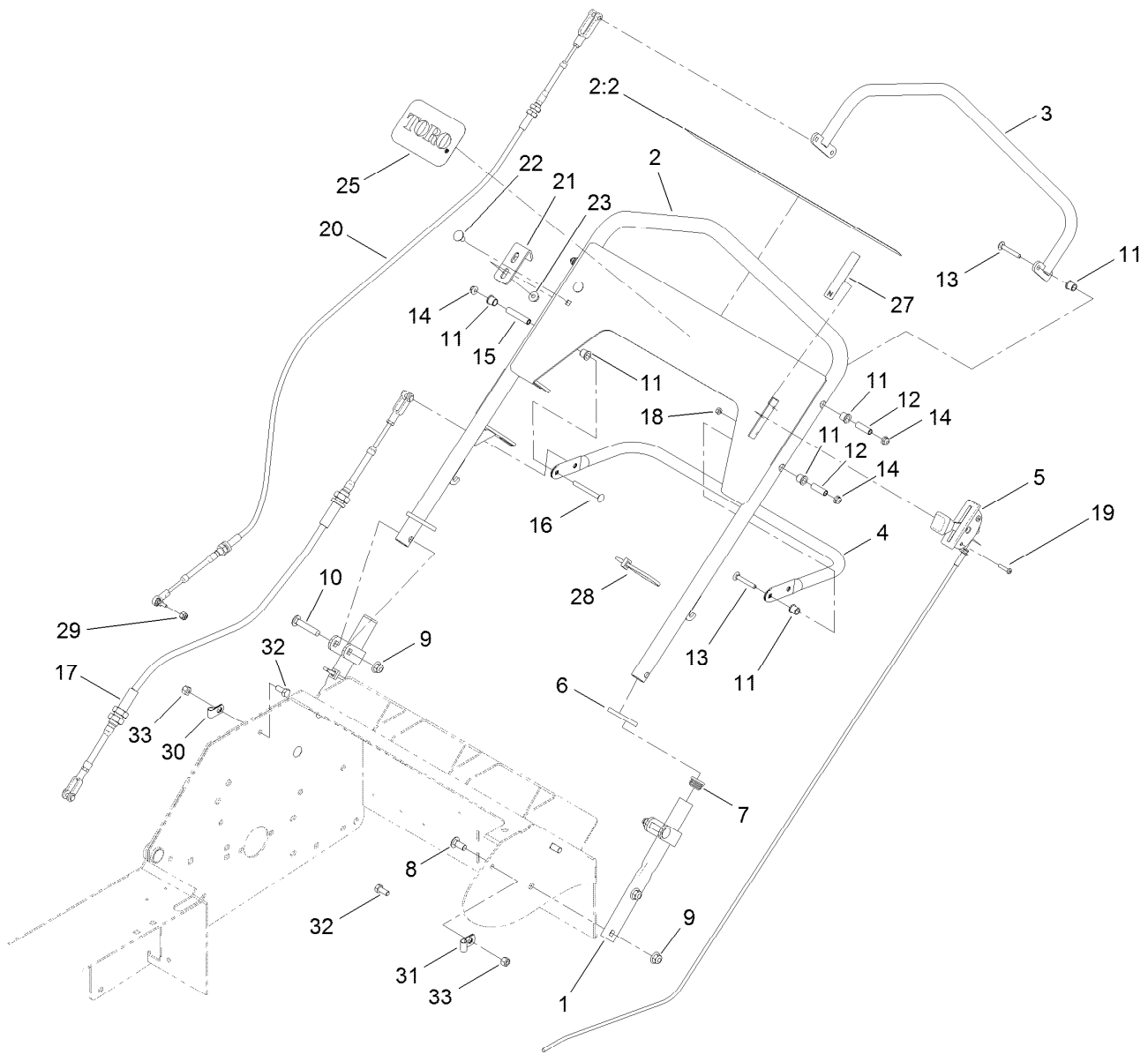
● Not serviced separately

■ Obtain parts from www.kawpowerrep.com



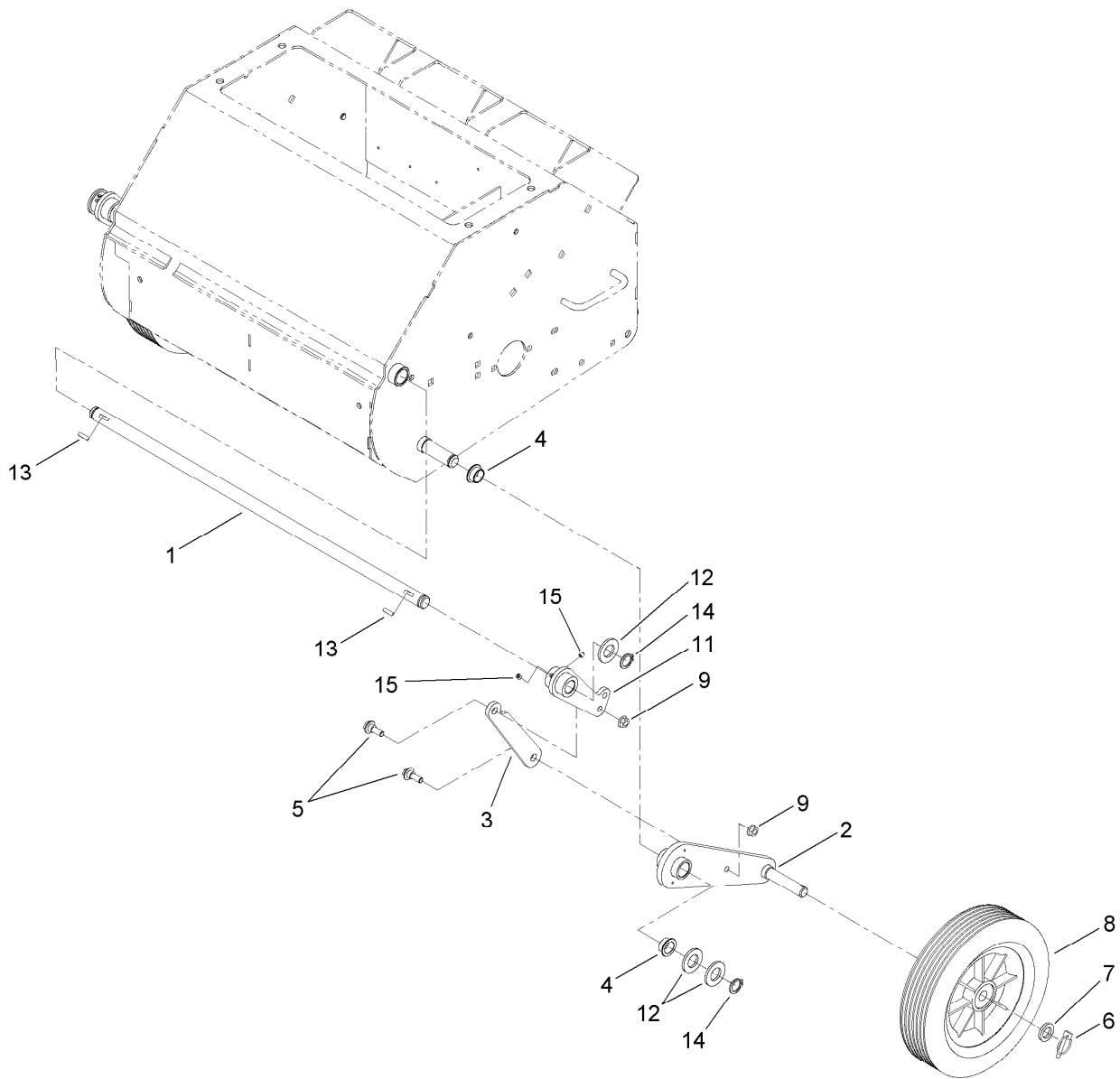
Drive Assembly

Ref.	Part Number	Qty.	Description	Ref.	Part Number	Qty.	Description
1	121-4899	1	Transaxle ASM	16	3230-9	4	Screw-CARR
2	121-4927	1	Shaft-Wheel	17	121-6067	1	Angle-Control
3	105-9714	10	Flange-Bearing	18	120-3550	2	Wheel ASM
4	120-9350	5	Bearing-Lock, Collar	18:1	121-6081	1	Tire
5	32120-93	2	Ring-Retaining	18:2	121-6082	1	Wheel-Rim
6	121-4931	2	Spacer-Wheel	18:3	5108	1	Valve
7	121-4934	2	Sprocket	19	121-1999	1	Belt-Drive
8	3257-5	2	Key-Woodruff	20	92-0049	2	Key-Square
9	3241-5	4	Screw-Set	21	3245-35	10	Screw-Set, HSH
10	121-4936-03	1	Plate-Bearing	22	121-1976	2	Sprocket ASM
11	121-4937	1	Shaft-Output	23	121-4932-03	1	Bracket-Support, Shaft
12	3230-23	14	Screw-CARR	24	121-6105	2	Chain-Drive Wheel
13	3230-8	2	Screw-CARR	25	121-6108	1	Shaft-Jack
14	104-8300	20	Nut-Flange, NI	26	3235-6	2	Screw-HH
15	3234-4	2	Screw-HHF				



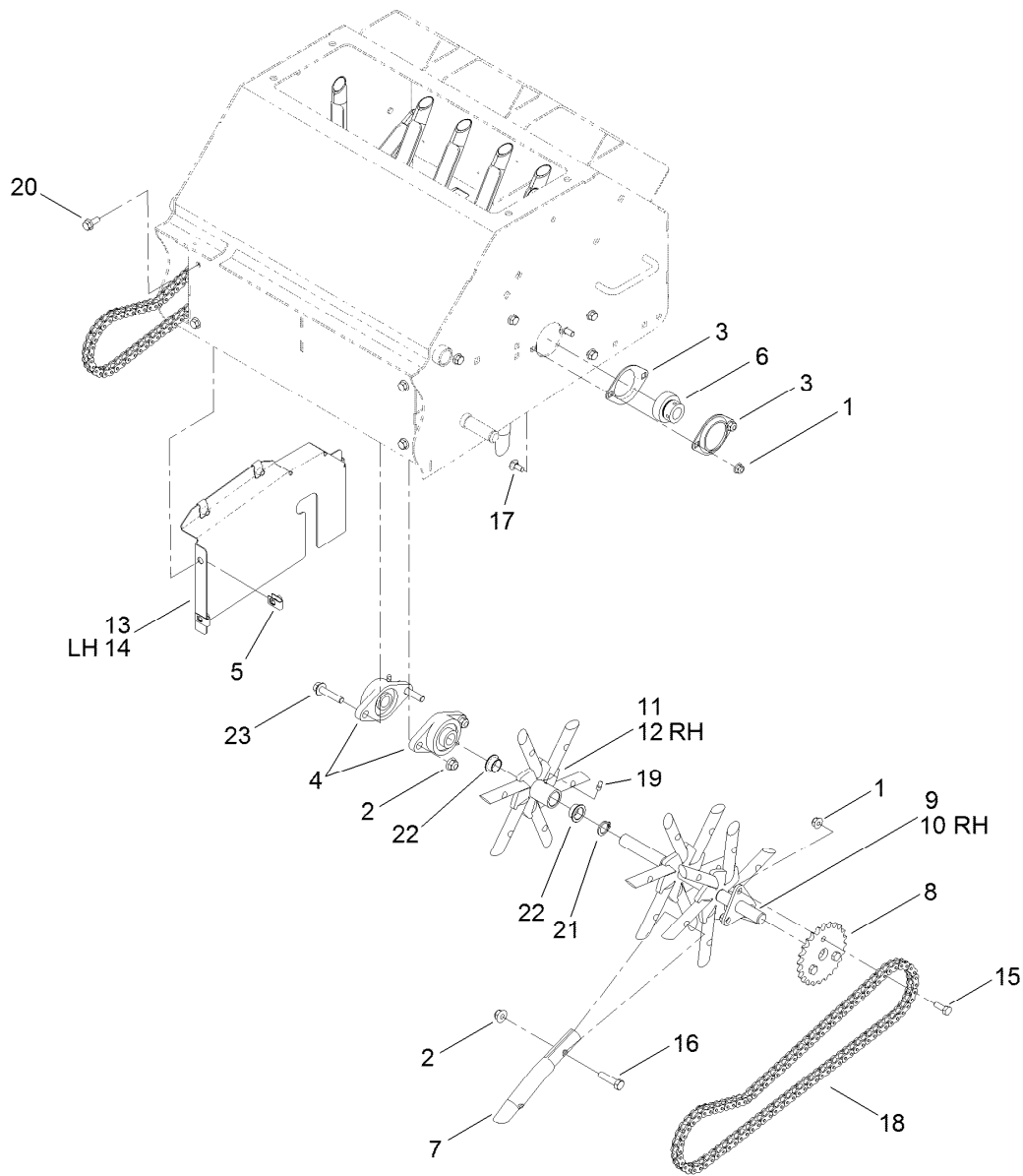
Handle Assembly

Ref.	Part Number	Qty.	Description	Ref.	Part Number	Qty.	Description
1	121-4866-03	2	Mount-Handle	16	3229-8	1	Screw-CARR
2	121-6199	1	Handle ASM	17	121-4904	1	Cable
2:2	121-2008	1	Decal-Aerator, Control Panel	18	3296-2	3	Nut-Lock, NI
3	121-6053-03	1	Tube-Control	19	3250-27	2	Screw-PPH
4	121-6058	1	Tube-Lift, Handle	20	121-6068	1	Cable
5	103-6123	1	Control-Throttle	21	121-6057	1	Angle-Stop
6	121-6202	2	Ring-Handle Lock	22	3230-18	2	Screw-CARR
7	121-4870	2	Plug	23	104-8300	2	Nut-Flange, NI
8	3231-12	4	Screw-CARR	25	105-8278	1	Decal
9	104-8301	6	Nut-Flange, NI	27	121-6151	1	Decal-Throttle, Choke
10	3231-6	2	Screw-CARR	28	3290-378	2	Tie-Cable
11	103-9928	8	Bearing	29	3296-3	1	Nut-Lock
12	121-6060	3	Bushing-Pivot	30	98-2390	1	Clamp-R
13	3229-5	3	Screw-CARR	31	2412-113	1	Clamp
14	104-7201	4	Nut-HF	32	322-3	2	Screw-HH
15	121-6062	1	Bushing-Pivot	33	3296-29	2	Nut-Lock, NI



Height Linkage Assembly

Ref.	Part Number	Qty.	Description
1	121-4873	1	Shaft-Pivot
2	121-4886-03	2	Arm-Wheel
3	121-6212-03	2	Link-Connecting
4	108519	4	Bushing-Bronze
5	116-2670	4	Screw-Shoulder
6	3290-495	2	Pin-Klik
7	63-9710	2	Spacer-Bearing
8	121-4897	2	Wheel-Transport
9	32128-20	4	Nut-HF
11	121-6213-03	2	Lift-Arm
12	3256-28	6	Washer-Flat
13	3257-5	2	Key-Woodruff
14	32120-93	4	Ring-Retaining
15	108-0989	4	Screw-Set



Tine Assembly

<i>Ref.</i>	<i>Part Number</i>	<i>Qty.</i>	<i>Description</i>	<i>Ref.</i>	<i>Part Number</i>	<i>Qty.</i>	<i>Description</i>
1	104-8300	10	Nut-Flange, NI	13	121-6077-01	1	Guard-Chain, RH
2	104-8301	38	Nut-Flange, NI	14	121-6078-01	1	Guard-Chain, LH
3	105-9714	4	Flange-Bearing	15	322-4	6	Screw-HH
4	106-7126	2	Bearing-Flange	16	323-8	38	Screw-HH
5	115-7721	12	Nut-Clip, U	17	3230-1	4	Bolt-CARR
6	120-9350	2	Bearing-Lock, Collar	18	121-6107	2	Chain-Drive
7	121-4894	36	Tine-Coring	19	302-19	2	Fitting-Grease
8	121-4900	2	Sprocket	20	3234-47	12	Screw-HHF
9	121-4930-01	1	Tine-Wheel, LH	21	32120-93	2	Ring-Retaining
10	121-6072-01	1	Tine-Wheel, RH	22	108519	4	Bushing-Bronze
11	121-6099-01	1	Spyder Tine ASM	23	3234-19	2	Screw-HHF
12	121-6096-01	1	Spyder Tine ASM				

Notes:



Count on it.