



**Count on it.**

**Parts Catalog**

**Operator-Controlled Discharge  
Chute Kit with Bag**

**GrandStand® Mower with 36-inch or 40-inch  
Cutting Unit**

**Model No. 117-8565**

# Ordering Replacement Parts

To order replacement parts, please supply the part number, the quantity, and the description of each part desired.

## Understanding Reference Numbers

Each identified part in an illustration has a reference number. The reference number for a part also appears in the parts list, along with other information about the part.

This catalog uses two special reference number formats, one to indicate parts in a service assembly and another to indicate the quantity of a given part in an illustration.

## Service Assembly Reference Numbers

Parts in service assemblies have reference numbers in the form a:b. The a represents the reference number of the entire service assembly and the b represents a sequential number unique to each part within the service assembly.

For example, a wheel assembly might be identified by reference number 6, the tire by 6:1, the valve by 6:2, and the wheel by 6:3. When you order the assembly identified by reference number 6, you receive all parts identified by reference numbers 6:1, 6:2, and 6:3. However, you may also order any part individually. Reference numbers of this type appear in illustration and in parts lists.

## Reference Numbers Indicating Quantity

In an illustration, if a reference number indicates more than one part, the reference number has the form nX y. The n represents the quantity of the part, the X is the multiplication symbol, and the y represents the reference number.

For example, in an illustration, the reference number 2X 37 means that two of the parts identified by reference number 37 are indicated.

# List of Abbreviations

**AR:** as required

**ASM:** assembly

**BBC:** blade brake control

**BHTF:** button head thread forming

**CARR:** carriage

**CCW:** counter clockwise

**CW:** clockwise

**DEG:** degrees

**ECM:** electronic control module

**EXT:** external

**FH:** flat head

**GA:** gauge

**HD:** heavy-duty

**HF:** hex flange

**HH:** hex head

**HHF:** hex head flange

**HHFTF:** hex head flange thread forming

**HJ:** hex jam

**HLH:** hex lag head

**HOC:** height-of-cut

**HSBH:** hex socket button head

**HSFH:** hex socket flat head

**HSH:** hex socket head

**HWH:** hex washer head

**HWHTF:** hex washer head thread forming

**HYD:** hydraulic

**LH:** left hand

**NI:** nylon insert

**NPTF:** national pipe thread fine

**PFH:** phillips flat head

**PPH:** phillips pan head

**PPHTF:** phillips pan head thread forming

**PRH:** phillips round head

**PTH:** phillips truss head

**PTO:** power-take-off

**RH:** right hand

**ROPS:** roll-over protection system

**RRB:** rear roller brush

**SFH:** slotted fillister head

**SHH:** slotted hex head

**SHWH:** slotted hex washer head

**SPH:** slotted pan head

**SQH:** square head

**SRH:** slotted round head

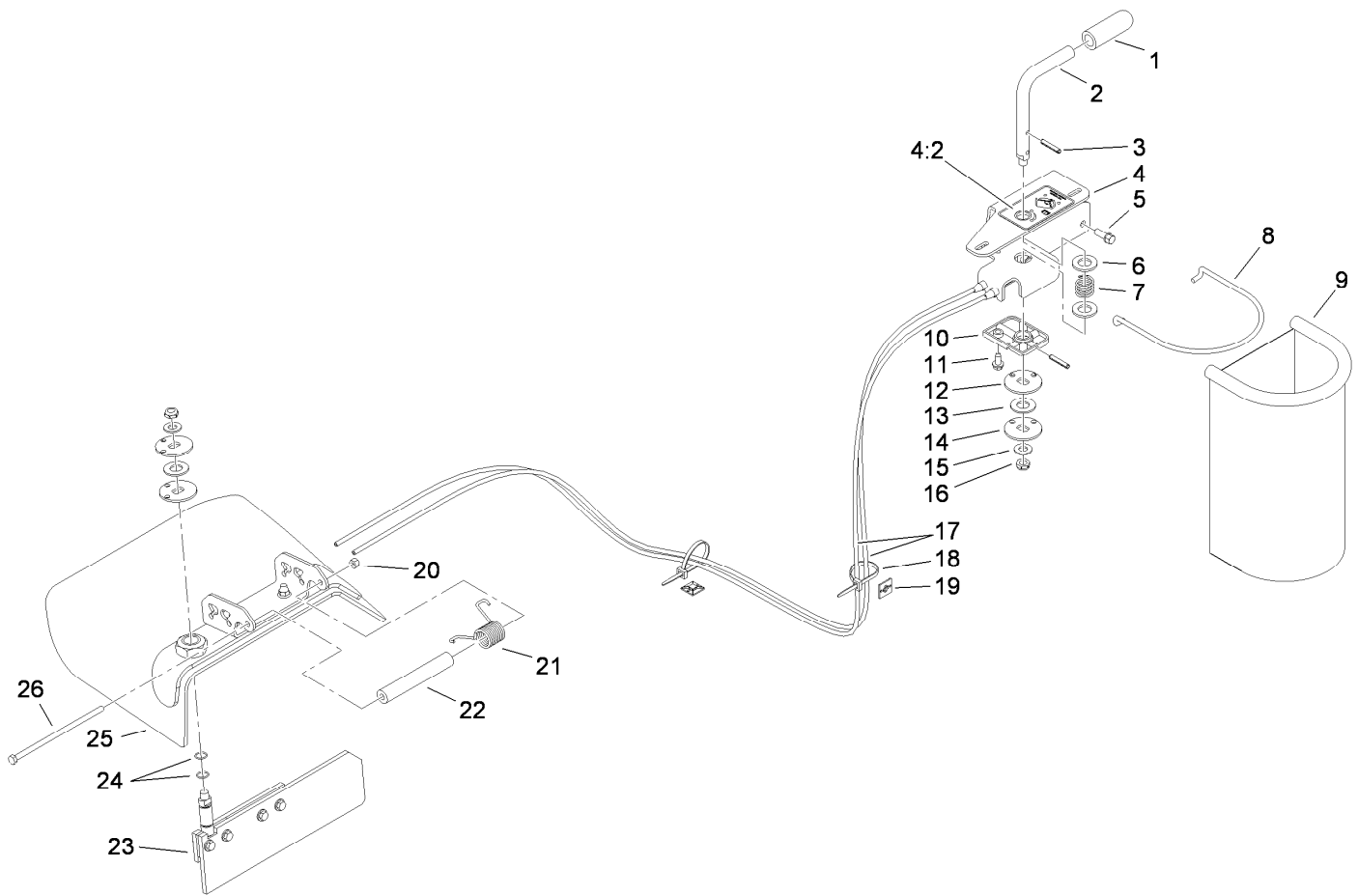
**STD:** standard

**TAP:** self tapping

**TTH:** torx truss head

# Contents

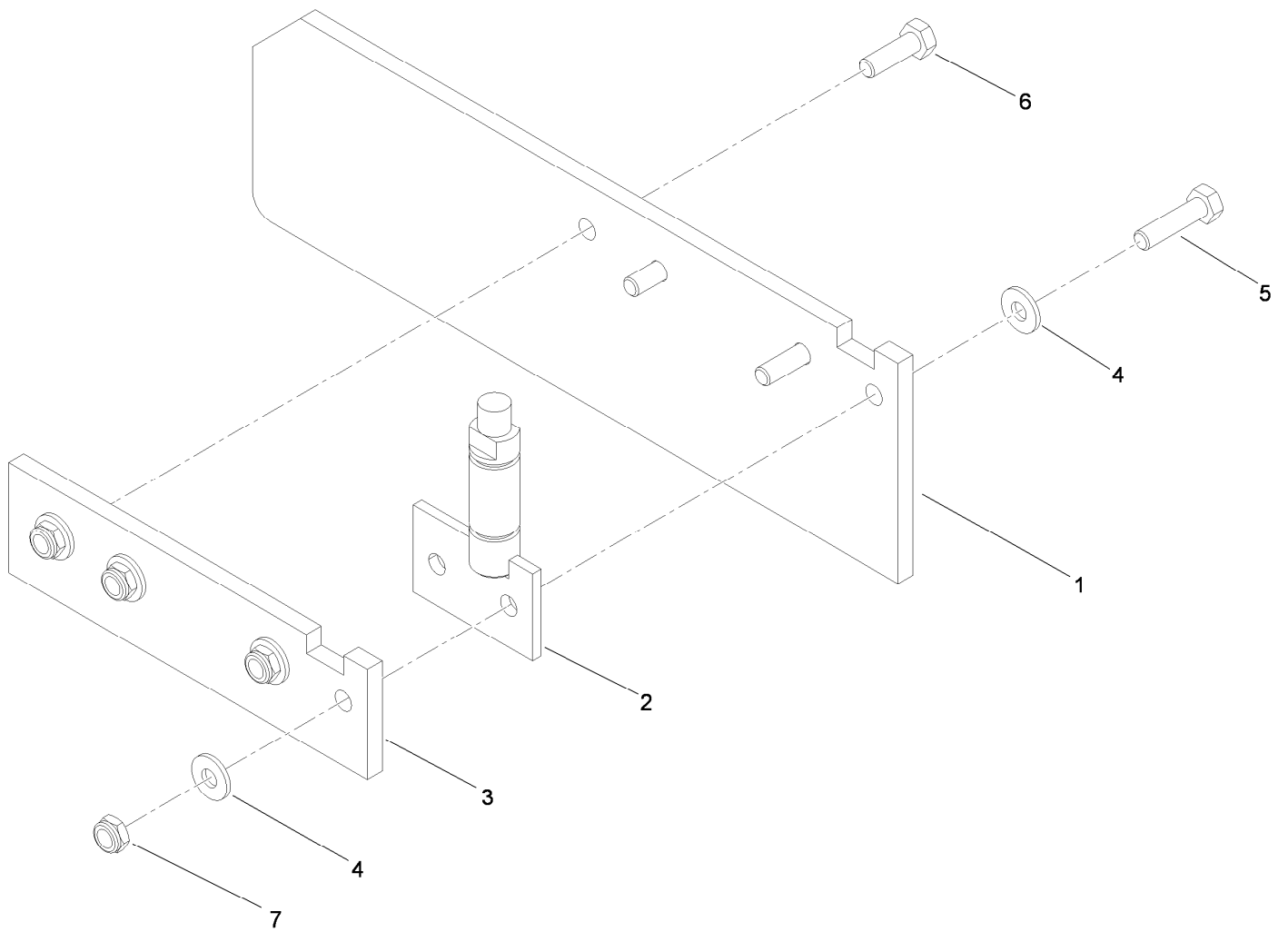
Chute Gate Assembly No. 117-8565..... 4  
Door Assembly No. 114-0540 ..... 5  
Deflector Assembly No. 117-8570..... 6



## Chute Gate Assembly No. 117-8565

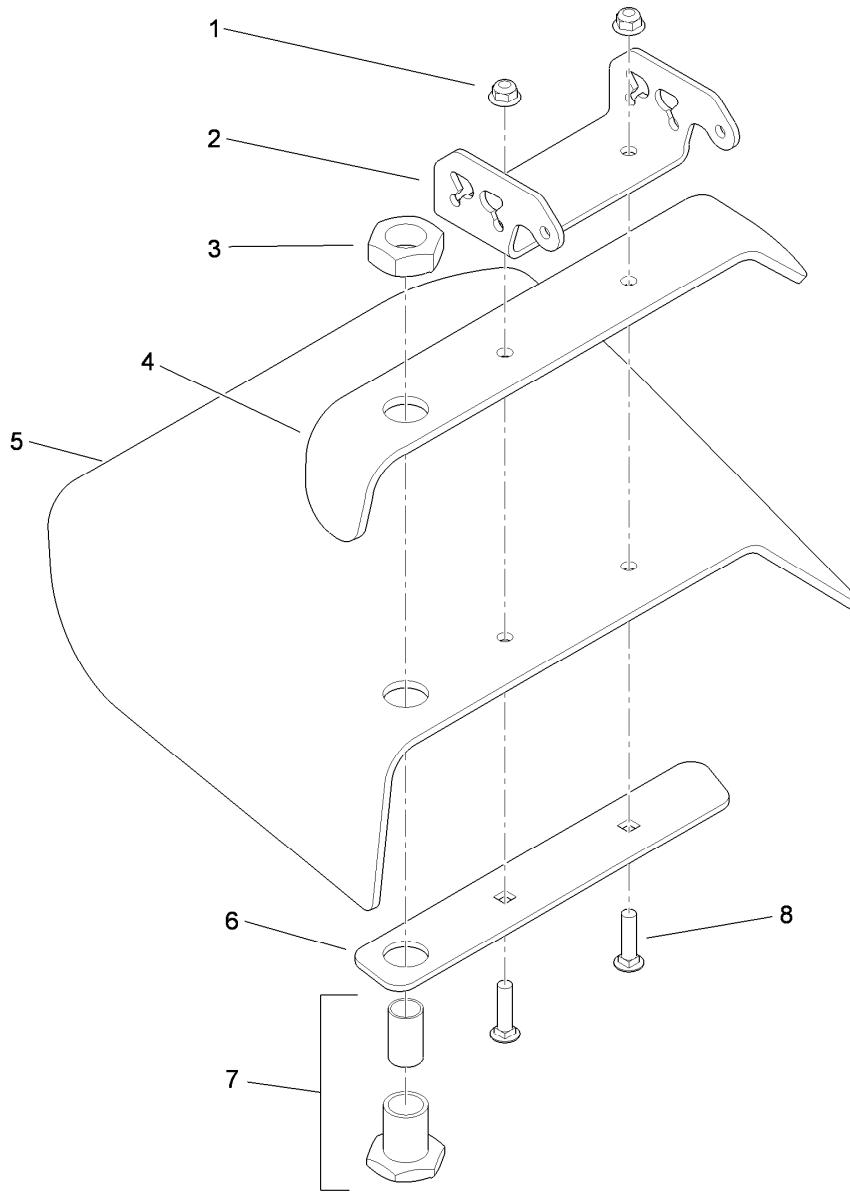
<i>Ref.</i>	<i>Part Number</i>	<i>Qty.</i>	<i>Description</i>
1	108-7221	1	Grip
2	114-1958	1	Handle
3	32121-15	2	Pin-Roll
4	117-8571	1	Control Bracket ASM
4:2	117-8569	1	Decal-Gate, Chute
5	92-1624	2	Screw-HWH
6	3256-28	2	Washer-Flat
7	87-3660	1	Spring-Compression
8	117-0546	1	Rod-Bag, Trash
9	103-5971	1	Bag-Trash
10	108-2231	1	Block-Detent
11	32144-70	1	Screw-HWHTF
12	108-7218	2	Pulley-Top
13	108-7217	2	Pulley-Middle

<i>Ref.</i>	<i>Part Number</i>	<i>Qty.</i>	<i>Description</i>
14	108-7216	2	Pulley-Bottom
15	3256-26	2	Washer-Flat
16	3296-45	2	Nut-Lock, NI
17	115-4175	2	Cable
18	3290-378	3	Tie-Cable
19	93-3922	2	Mount-Tie, Cable
20	3296-29	1	Nut-Lock, NI
21	108-4052	1	Spring-Torsion
22	105-4622	1	Spacer
23	114-0540	1	Door ASM
24	237-65	2	O-Ring
25	117-8570	1	Deflector ASM
26	322-50	1	Screw-HH



## Door Assembly No. 114-0540

<i>Ref.</i>	<i>Part Number</i>	<i>Qty.</i>	<i>Description</i>
1	114-0541	1	Gate-Chute, Rubber
2	107-8505	1	Hinge-Gate
3	108-7219	1	Door-Support
4	3256-2	8	Washer-Flat
5	322-6	2	Screw-HH
6	322-5	2	Screw-HH
7	3296-47	4	Nut-Lock, NI



## Deflector Assembly No. 117-8570

<i>Ref.</i>	<i>Part Number</i>	<i>Qty.</i>	<i>Description</i>
1	104-8301	2	Nut-Flange, NI
2	117-8564-01	1	Bracket-Deflector
3	67-5840	1	Nut-Jam
4	115-4163-01	1	Bracket-Deflector
5	115-4162	1	Deflector-Rubber
6	115-4164-03	1	Strap-Deflector
7	108-7215	1	Hub ASM
8	3231-4	2	Screw-CARR

**Notes:**



**Count on it.**