



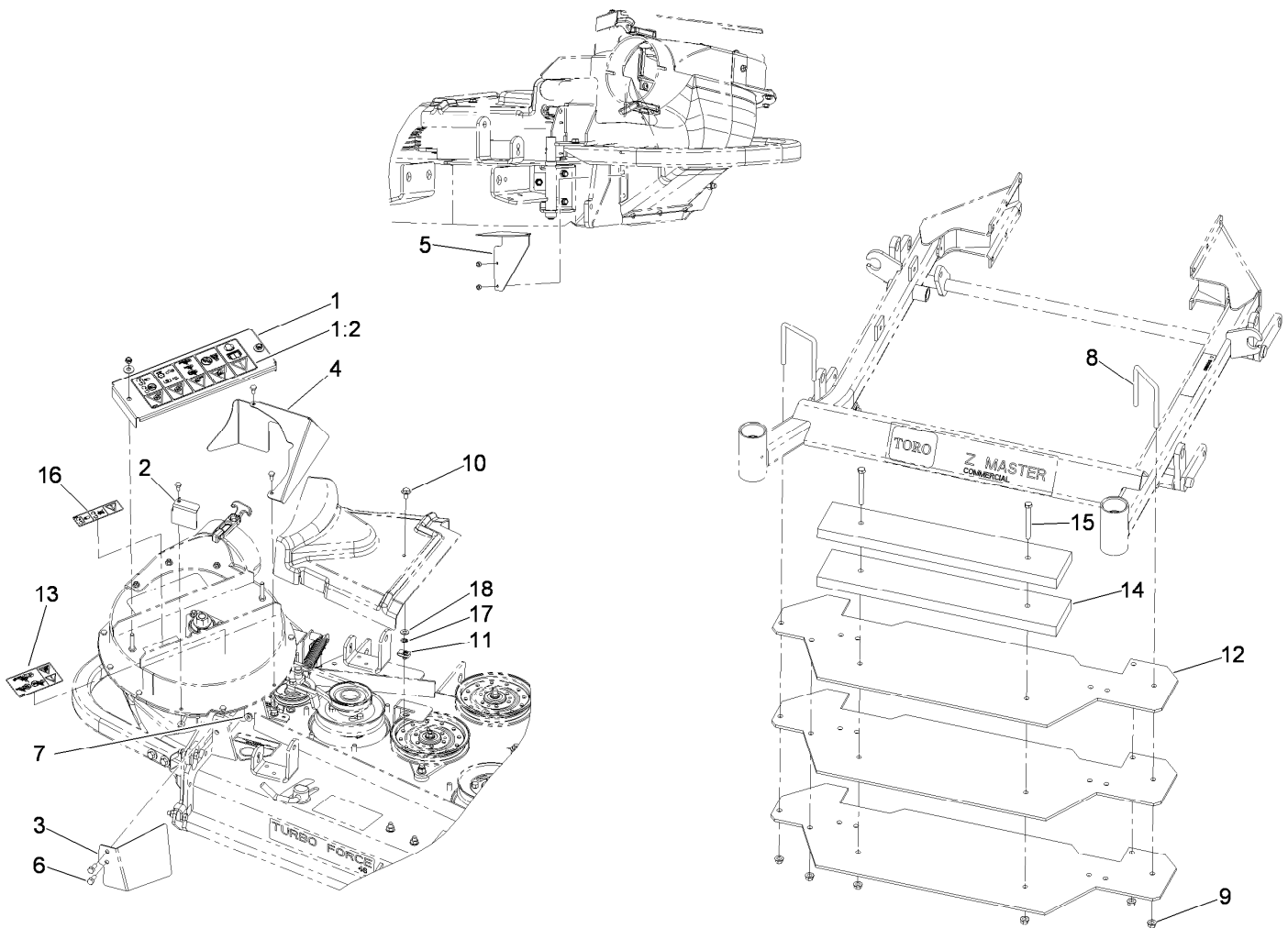
Count on it.

Parts Catalog

CE Kit Model 78541

48in DFS E-Z Vac™ Collection System

Model No. 117-3828



48in DFS E-Z Vac Collection System CE Kit No. 117-3828

<i>Ref.</i>	<i>Part Number</i>	<i>Qty.</i>	<i>Description</i>
1	117-0924	1	Cover-Bearing
1:2	117-0923	1	Decal-Danger
2	117-0926-03	1	Guard-Left
3	117-0927-03	1	Guard-Front
4	117-0928-03	1	Guard-Back
5	117-0929-03	1	Guard-Lower
6	322-43	2	Screw-HH
7	32128-25	2	Nut-HF
8	100-7067	2	U-Bolt
9	32128-21	6	Nut-HF
10	3234-7	1	Screw-HHF
11	94-2413	1	U-Nut
12	108-2770-01	3	Plate-Weight
13	117-0931	1	Decal-Warning
14	108-2771	2	Bar
15	323-15	2	Screw-HH
16	112-9028	1	Decal-Cover Missing
17	117-2749	1	Nut-Push
18	73-0041	1	Washer-Thrust