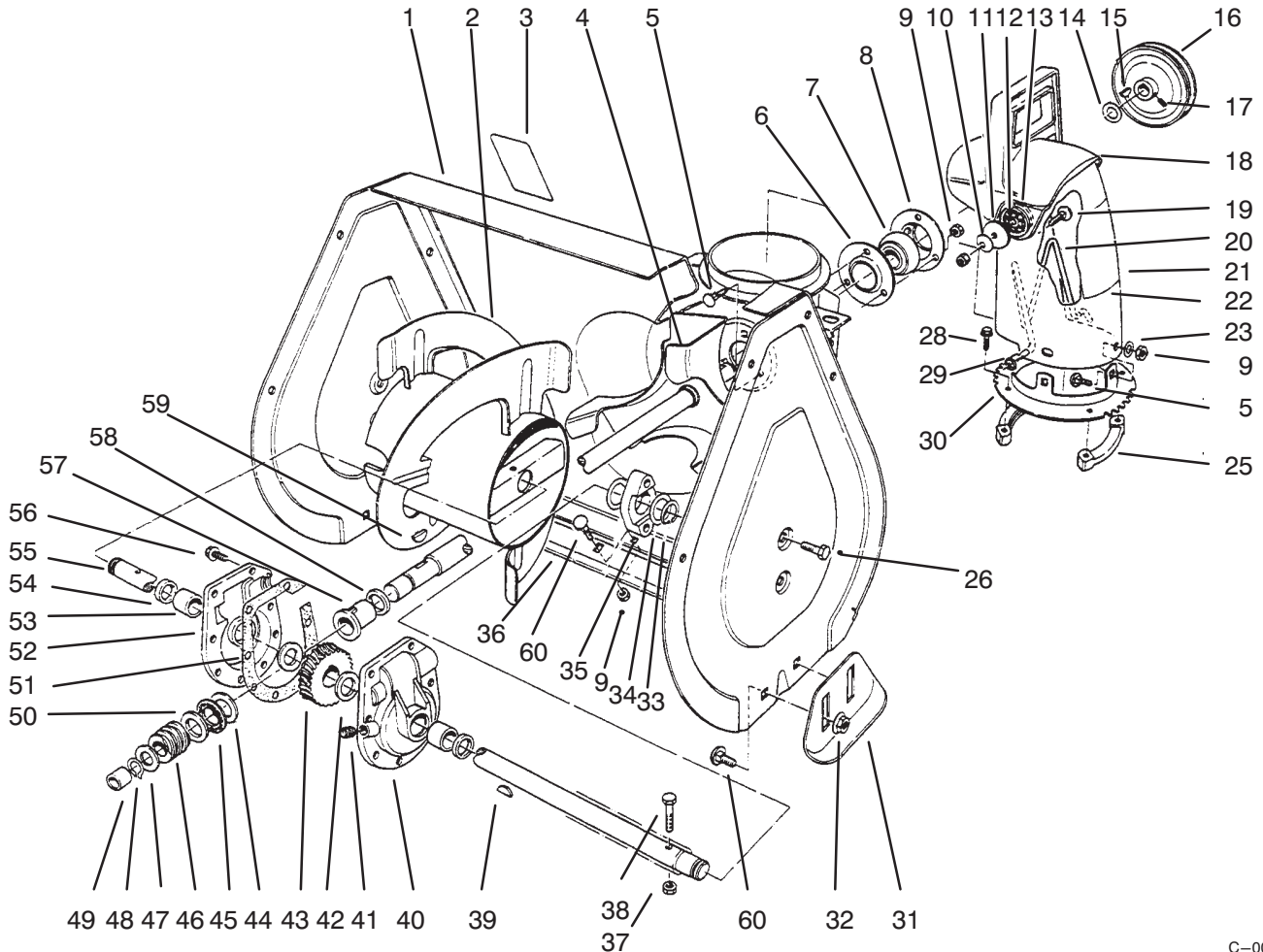




MODEL NO. 38052-6900001 & UP MODEL NO. 38054-6900001 & UP	PARTS CATALOG
<h2 style="margin: 0;">521 SNOWTHROWER</h2>	



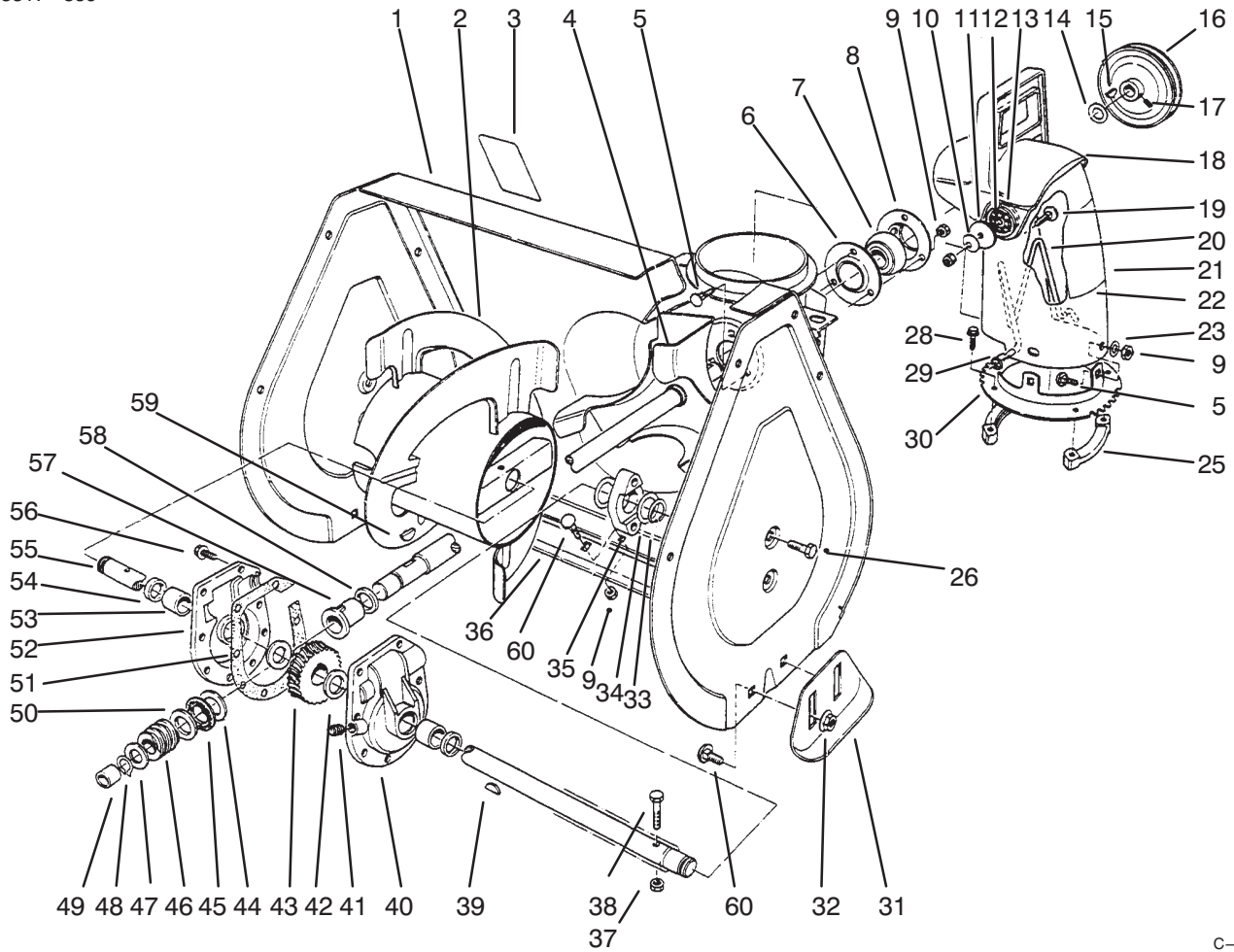
C-0031

AUGER ASSEMBLY

Ref. No.	Part No.	Description	No. Used
1	94-2784	Housing—Auger (Model 38052 Incl. Ref. #3)	1
*	94-2783	Housing—Auger (Model 38054 Incl. Ref. #3)	1
2	39-1180	Auger — R.H.	1
*	39-1190	Auger — L.H.	1
3	53-7670	Decal — Auger Warning (Model 38052)	1
*	94-2568	Decal — Auger Warning (Model 38054)	1
4	37-6990	Shaft & Impeller	1
5	3230-18	Bolt — Carriage	6
6		Flange — Bearing Front	1
7	63-3450	Bearing — Ball	1
8		Flange — Bearing Rear	1
9	3296-29	Nut — Lock	13
10	3290-340	Washer — Belleville	2
11	3256-68	Washer — Flat	2

Ref. No.	Part No.	Description	No. Used
12	55-8950	Plate — Friction	2
13	20-4320	Washer — Rubber	2
14	3-0737	Washer	1
15	3257-23	Key	1
16	37-6890	Pulley	1
17	3242-4	Screw — Set	2
18	56-2680	Deflector	1
19	3230-22	Bolt — Carriage	2
20	56-2670	Chute — Wire	1
21	56-2693	Chute — Discharge (Incl. Ref.# 22) Model 38052	1
*	56-6292	Chute — Discharge (Incl. Ref.# 22) Model 38054	1
22	53-7660	Decal — Discharge Model 38052	1
*	94-2558	Decal — Discharge Model 38054	1
23	3256-23	Washer	3

*Not Illustrated

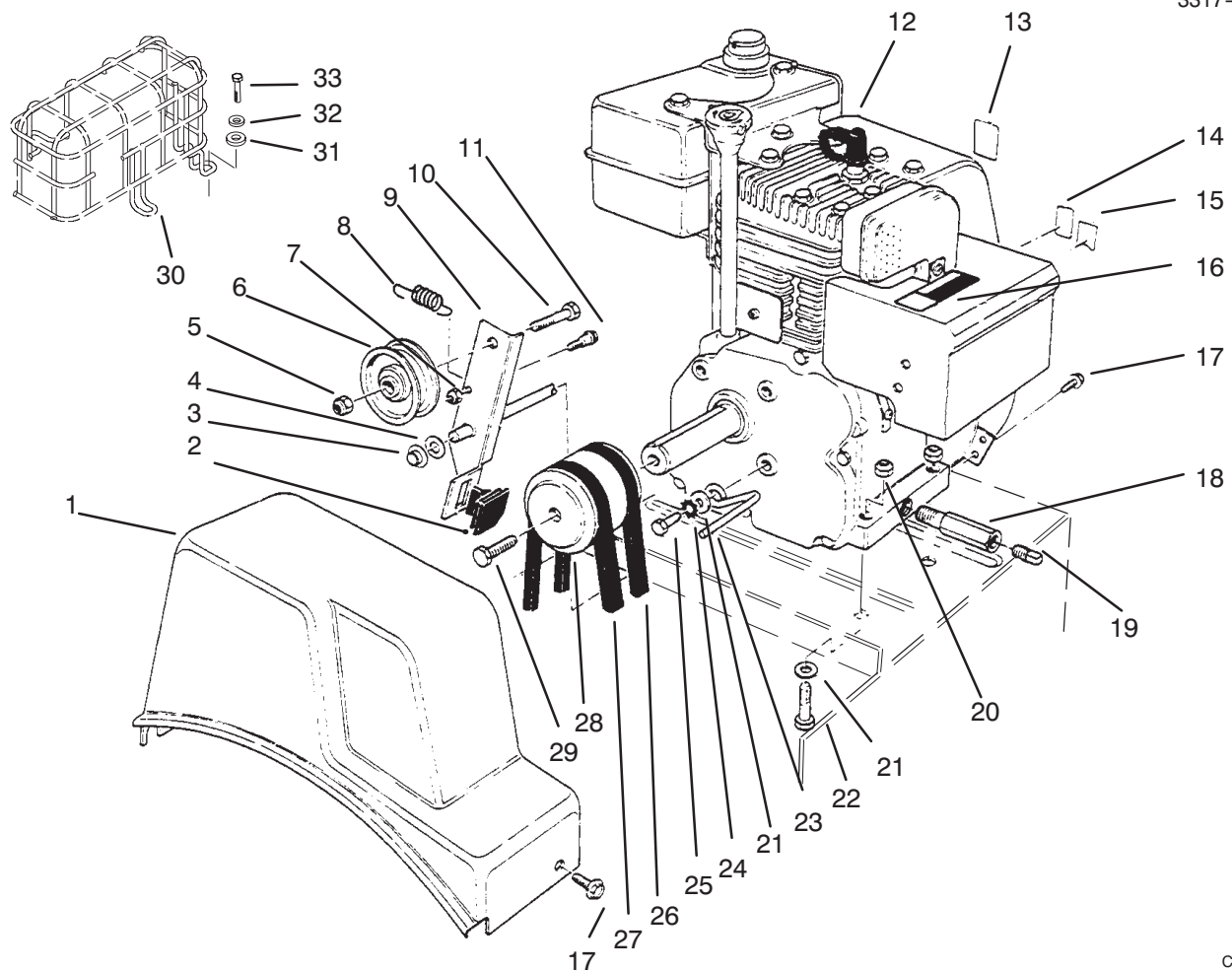


C-0031

AUGER ASSEMBLY (Continued)

Ref. No.	Part No.	Description	No. Used	Ref. No.	Part No.	Description	No. Used
25	37-6490	Retainer - Chute Ring	3	45	252-76	Bearing - Needle, Thrust	1
26	32144-70	Screw - Self Tapping	4	46	5-7170	Gear - Worm	1
28	27-0220	Screw - Self Tapping	6	47	3-8664	Washer	1
29	3290-326	Pushnut	1	48	32120-72	Ring - Retaining	1
30	37-8941	Ring - Chute	1	49	256-32	Bushing	1
31	40-8160	Skid	2	50	252-80	Washer - Thrust	1
32	32128-20	Nut - Flange	4	51	51-0460	Gasket	1
33	32151-36	Ring - Retaining	2	52	14-2449	Gear Case R.H. (Incl. Ref. #53 & 54)	1
34	5-1550	Washer - Thrust	4	53	256-237	Bushing	2
35	37-6550	Bearing - Auger	2	54	7-0045	Seal - Oil	2
36	39-1551	Blade - Scraper	1	55	37-6800	Shaft - Auger	1
37	3296-42	Nut - Lock	2	56	32144-41	Screw - Self Tapping	8
38	321-10	Screw	2	57	37-6560	Bushing - Input	1
39	3257-33	Key - Woodruff	1	58	237-87	Seal	1
40	14-2459	Gear Case L.H. (Incl. Ref. #53 & 54)	1	59	3257-23	Key - Woodruff	1
41	281-1	Pipe - Plug	1	60	3230-1	Bolt - Carriage	9
42	252-71	Bearing - Thrust	2	*	37-6960	Gear Case Asm.	1
43	5-7180	Gear	1	*	12-8789	Bearing Asm. (Incl. Ref. #6-8)	1
44	257-3	Washer - Thrust	1				

*Not Illustrated



C-0038

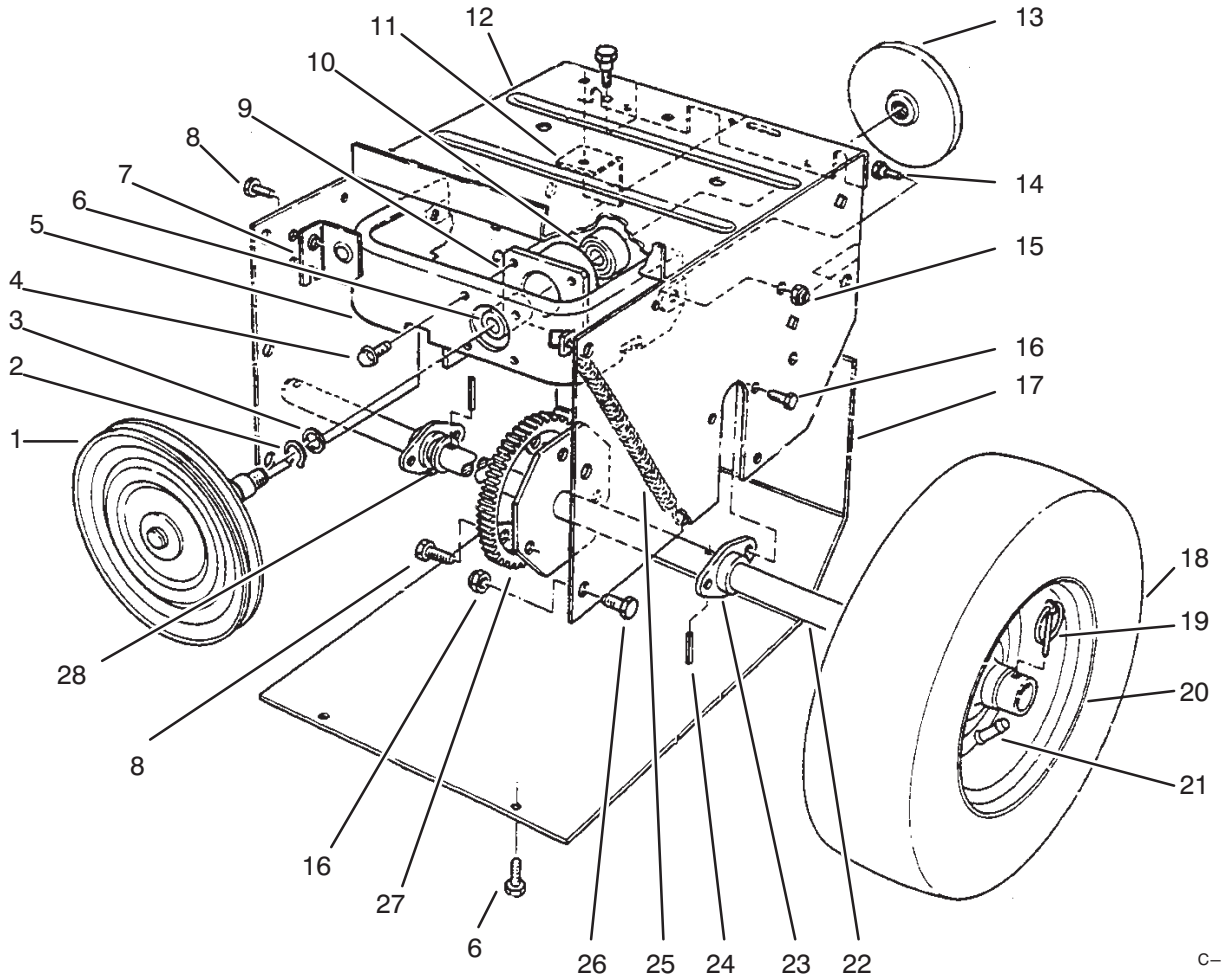
ENGINE ASSEMBLY

Ref. No.	Part No.	Description	No. Used
1	37-6900	Cover - Belt	1
2	66-8060	Molded Brake Asm.	1
3	3296-59	Nut - Lock	1
4	3256-24	Washer - Flat	1
5	3290-320	Nut - Push On	1
6	3-4244	Idler Pulley	1
7	3296-56	Nut - Lock	1
8	53-7570	Spring - Auger Disengage	1
9	14-7959	Auger Clutch (Incl. Ref. #2)	1
10	323-29	Screw	1
11	42-3560	Bolt - Shoulder	1
12		Engine	1
13	94-2572	Decal - Primer	1
14	63-2450	Decal - Throttle	1
15	39-3850	Decal - Choke (Model 38052)	1
*	63-2410	Decal - Choke (Model 38054)	1
16	66-6840	Decal - Hot Surface Warning (Model 38052)	1

Ref. No.	Part No.	Description	No. Used
*	94-2576	Decal - Hot Surface Warning (Model 38054)	1
17	32144-4	Screw - Self Tapping	3
18	49-3040	Tube - Drain	1
19	281-7	Plug - Pipe	1
20	3296-29	Nut - Lock	4
21	3256-23	Washer - Flat	5
22	322-7	Screw	4
23	37-8990	Retainer - Belt	1
24	3255-8	Washer - Lock Ext. Tooth	1
25	3210-3	Screw	1
26	37-9090	V-Belt - Traction	1
27	37-9080	V-Belt - Auger	1
28	43-7370	Engine Pulley	1
29	43-7290	Screw - Special	1
+30	127-18	Guard - Muffler Model 38054)	1
+31	32-251-1	Washer (Model 38054)	2
+32	36-180	Washer - Lock (Model 38054)	2
+33	42-671	Screw (Model 38054)	2

*Not Illustrated

+Order From Tecumseh

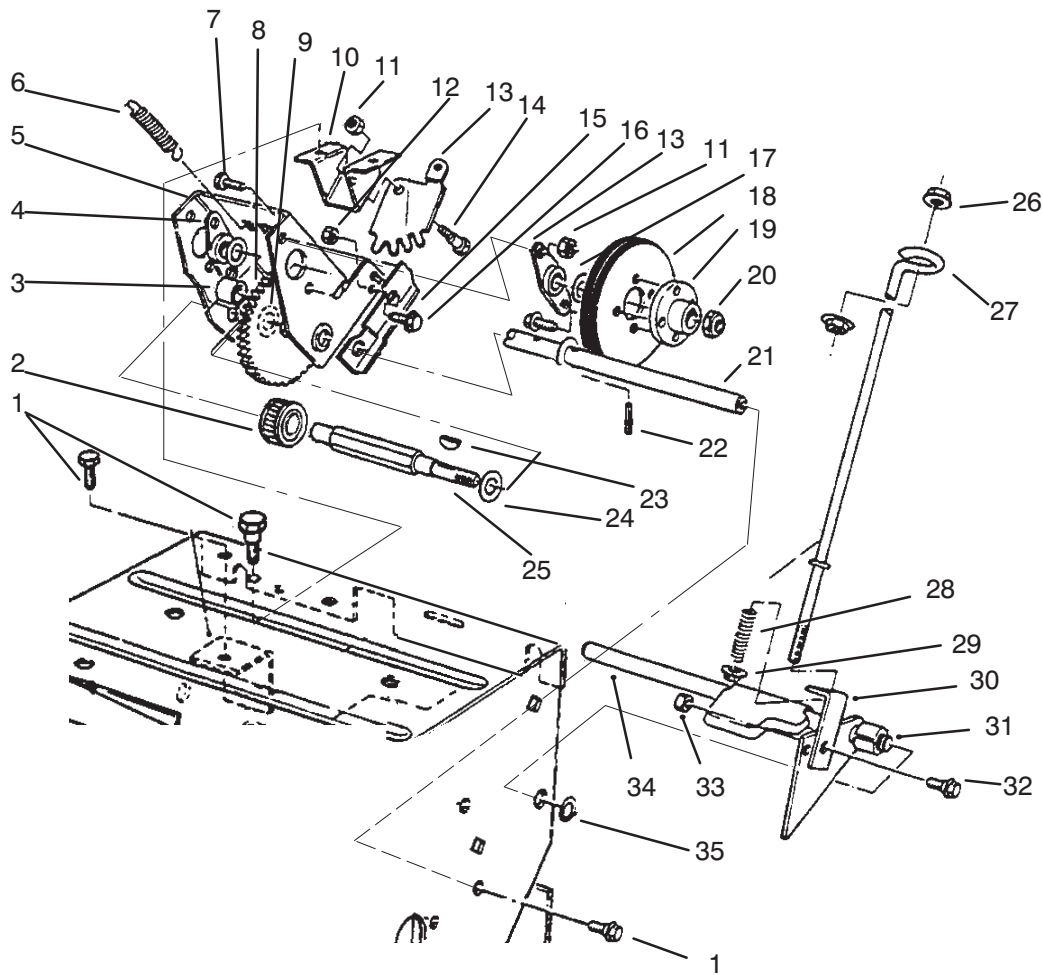


C-2371

TRACTION ASSEMBLY

Ref. No.	Part No.	Description	No. Used
1	88-0850	Pulley & Shaft	1
2	32151-103	Ring - Snap	1
3	252-80	Washer - Thrust	1
4	12-3270	Screw - Tapping	8
5	88-0550	Frame - Friction Plate	1
6	256-322	Bushing	1
7	66-6790	Mount - Clutch Rod Front	1
8	32144-70	Screw - Self Tap. Hex. Hd.	5
9	88-0560	Hub - Frame	1
10	38-7820	Bearing	1
11	37-9070	Mount - Clutch Rod Rear	1
12	37-8900	Frame - Traction	1
13	38-0800	Plate - Friction	1
14	37-8770	Bolt - Shoulder	3

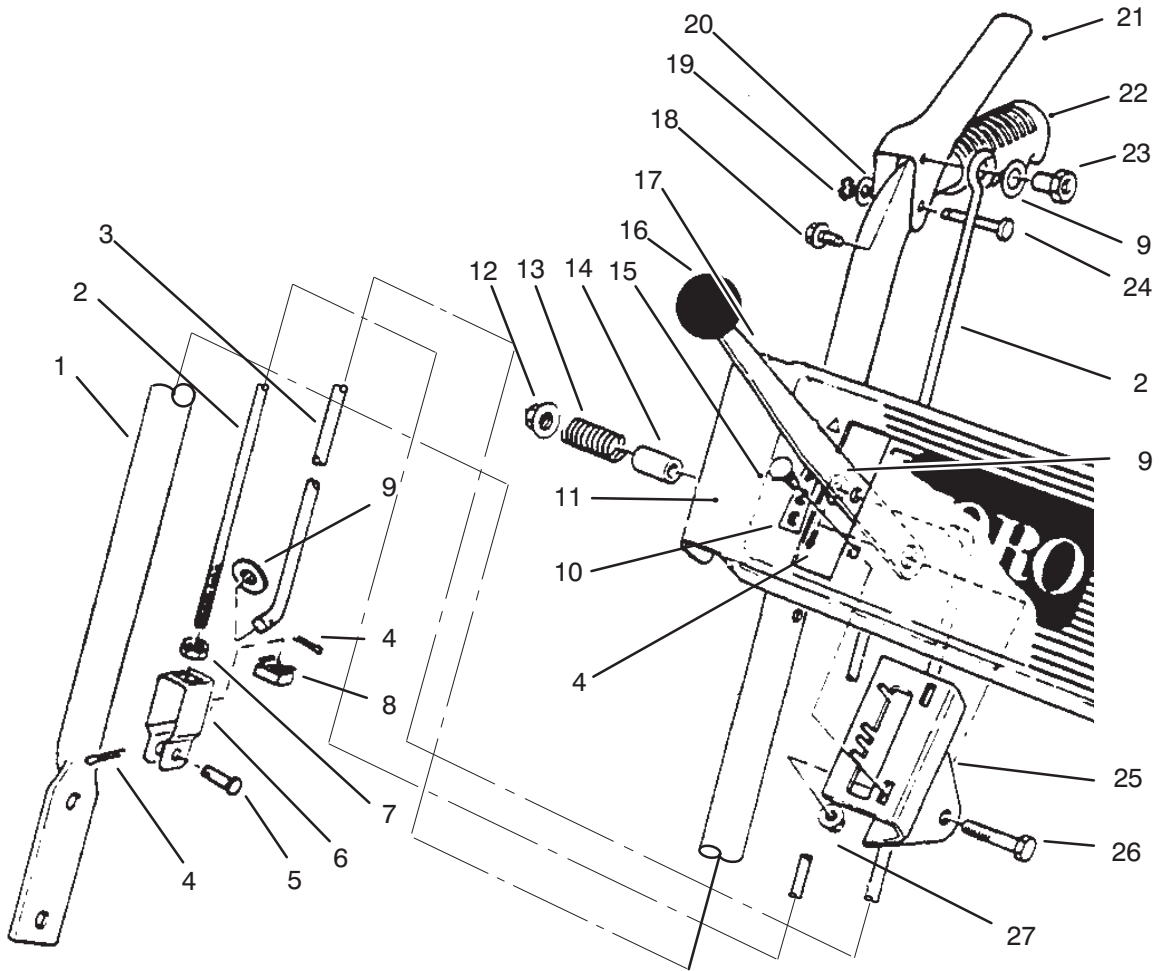
Ref. No.	Part No.	Description	No. Used
15	3296-29	Nut - Lock	6
16	32144-4	Screw - Self Tap. Hex. Hd.	6
17	37-6830	Cover - Bottom	1
18	231-120	Tire	2
19	3290-243	Pin - Klik	2
20	241-131	Rim	2
21	232-46	Tube	2
22	74-1350	Shaft - Axle	1
23	37-6850	Bearing - Axle	2
24	32121-31	Pin - Roll	2
25	37-8870	Spring - Friction Plate Frame	1
26	322-2	Screw - Hex. Hd.	4
27	37-6520	Gear - Axle	1
28	3-8664	Washer - Thrust	2



C-2372

TRACTION ASSEMBLY (Continued)

Ref. No.	Part No.	Description	No. Used	Ref. No.	Part No.	Description	No. Used
1	32144-70	Screw - Self Tap. Hex. Hd.	4	18	37-6570	Wheel - Friction	1
2	37-6500	Gear - Sliding	1	19	39-1520	Hub - Friction Wheel Mount	1
3	256-86	Bushing	1	20	3296-48	Nut - Lock	1
4	20-1620	Bearing - Friction Wheel	2	21	37-6760	Shaft - Pivot	1
5	39-1230	Bracket - Sliding	1	22	32121-45	Pin - Roll	2
6	37-8880	Spring - Traction Engage	1	23	3257-24	Key	1
7	322-2	Screw - Hex. Hd.	4	24	5-7570	Washer - Thrust	2
8	37-9160	Intermediate Gear & Bushing (Incl. Ref. #4)	1	25	37-6780	Shaft - Hex	1
9	10-9280	Washer - Thrust	2	26	32128-33	Nut - Flange	2
10	37-8790	Mount - Quadrant Gear	1	27	39-3060	Rod - Lower Traction	1
11	3296-29	Nut - Lock	1	28	38-4520	Spring - Compression	1
12	3296-16	Nut - Lock	1	29	32128-32	Nut - Flange	1
13	37-8800	Quadrant - Gear	1	30	38-4490	Bracket - Traction	1
14	37-8770	Bolt - Shoulder	3	31	40-9680	Spacer	1
15	39-1250	Cam - Receiver	1	32	40-8350	Screw - Shoulder	1
16	321-4	Screw - Hex. Hd.	1	33	3296-42	Nut - Lock	1
17	36-4790	Washer - Thrust	2	34	43-7310	Traction Engagement Asm.	1
				35	32151-61	Ring - Retaining	1



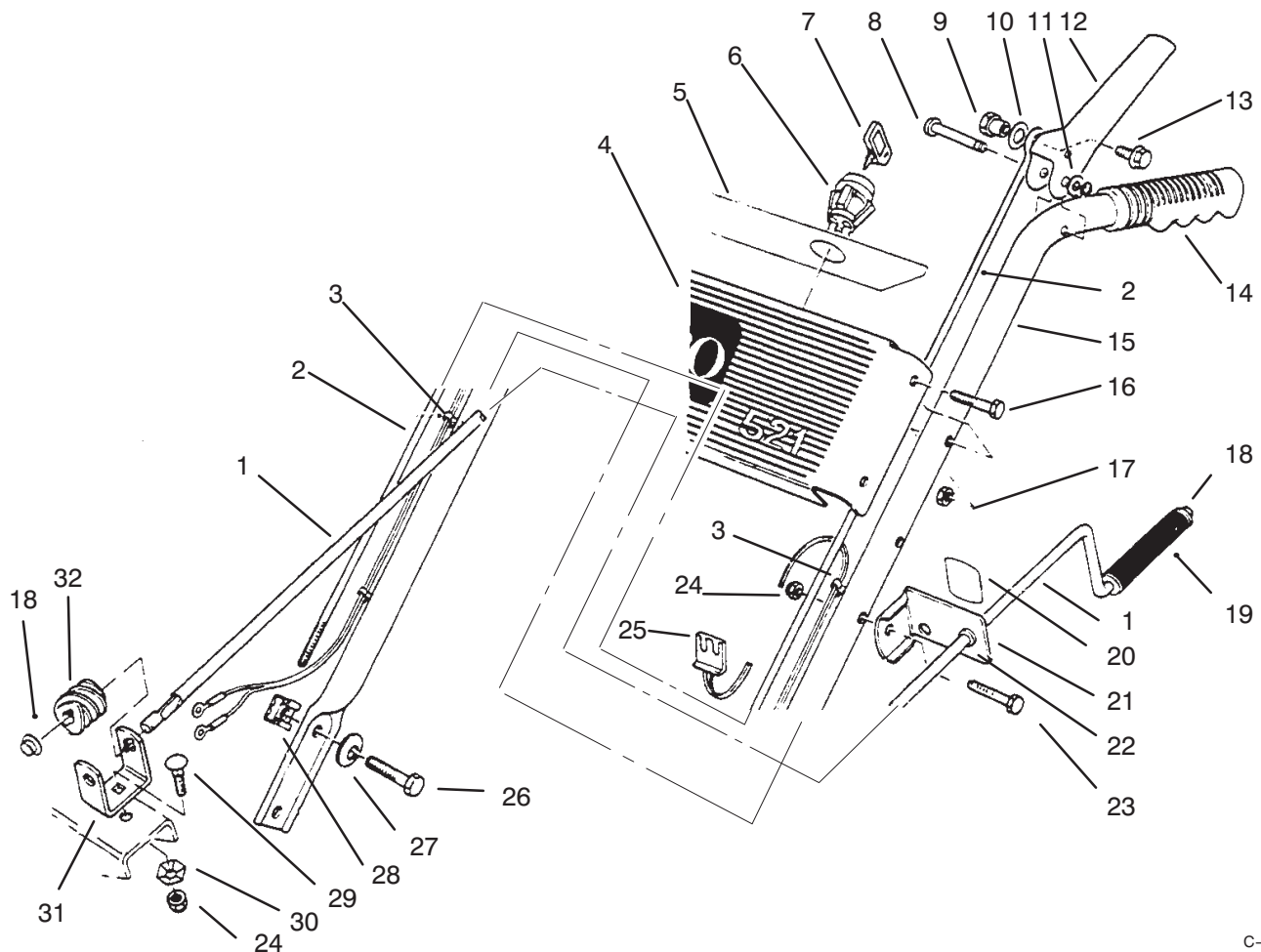
C-2373

HANDLE ASSEMBLY RIGHT SIDE

Ref. No.	Part No.	Description	No. Used
1	52-5561	Handle - Right (Model 38052)	1
*	52-5560	Handle - Right (Model 38054)	1
2	52-5590	Link - Upper	1
3	39-7570	Rod - Speed Selector	1
4	3272-4	Pin - Cotter	3
5	283-3	Pin - Clevis	1
6	39-3080	Clevis	1
7	3218-1	Nut - Jam	1
8	32115-5	Retainer - Nut	1
9	3256-23	Washer	4
10	43-7360	Panel - Escutcheon	1
11	66-6560	Decal - 521	1
12	32128-13	Nut - Flange Lock	1
13	37-9150	Spring	1

Ref. No.	Part No.	Description	No. Used
14	40-8130	Spacer - Speed Selector	1
15	3229-11	Bolt - Carriage	2
16	233-21	Knob	1
17	37-8820	Selector - Speed	1
18	3234-13	Screw - Hex. Flange Hd.	1
19	32151-73	Ring - Clip	1
20	3256-24	Washer	1
21	63-3640	Handle - Control	1
22	74-1360	Grip - Handle	1
23	47-4990	Post - Linkage Mounting	1
24	52-5600	Pin - Control Lever	1
25	39-1280	Mount - Speed Selector	1
26	322-7	Screw	1
27	32128-33	Nut - Flange Lock	2
*	3290-378	Cable Tie	1

*Not Illustrated



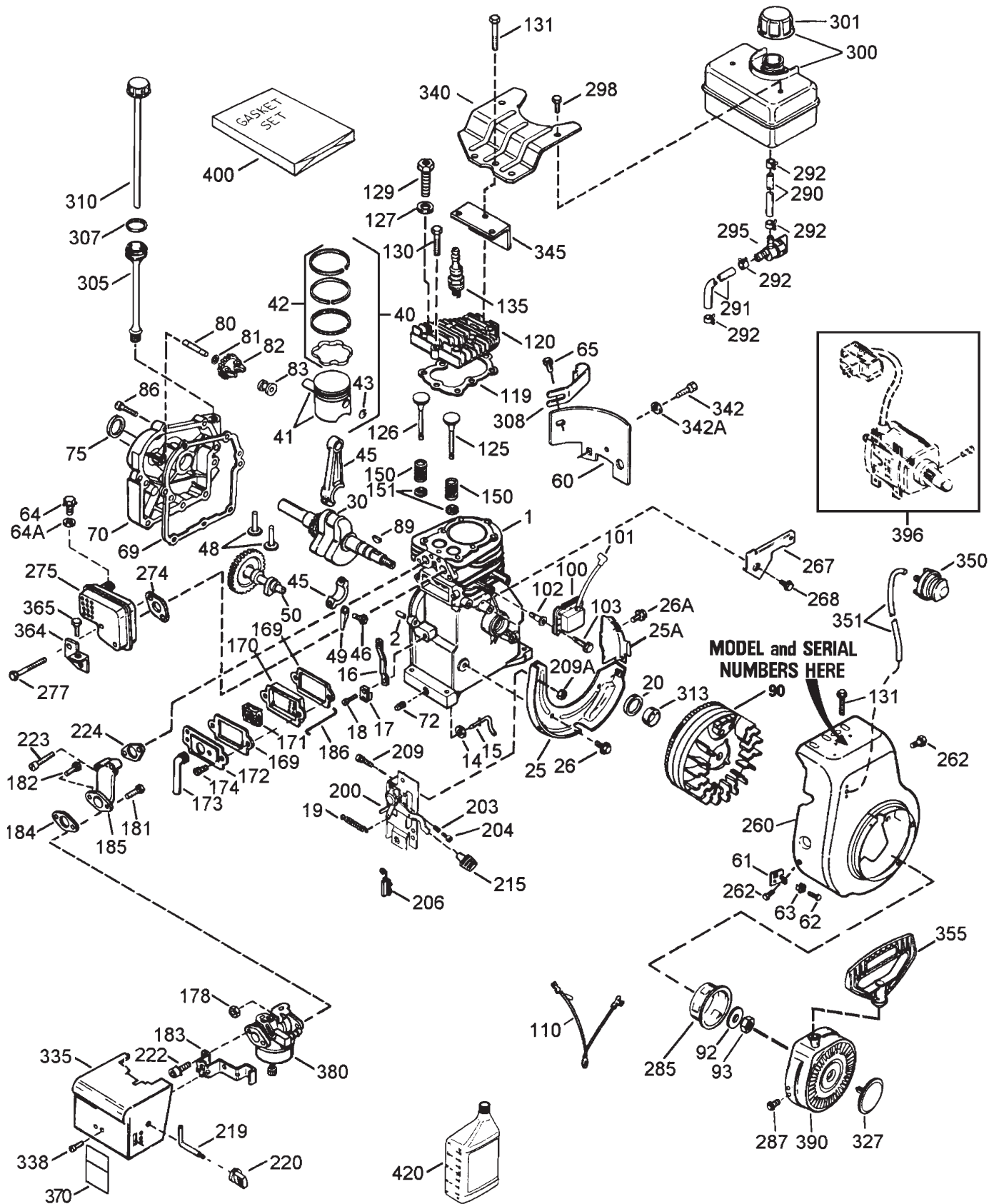
C-2374

HANDLE ASSEMBLY LEFT SIDE

Ref. No.	Part No.	Description	No. Used	Ref. No.	Part No.	Description	No. Used
1	40-8270	Rod - Chute Control	1	17	3296-42	Nut - Lock	2
2	52-5590	Link - Upper	1	18	3290-320	Nut - Push	2
3	17-9120	Mount - Wire	3	19	40-8230	Grip - Rod	1
4	Reference	Panel - Escutcheon		20	63-3510	Decal - Chute Direction	1
5	66-6830	Decal - Escutcheon Back (Model 38052)	1	21	12-7739	Bracket - Chute Control (Incl. Ref.# 20 & 22)	1
*	94-2563	Decal - Escutcheon Back (Model 38054)	1	22	256-249	Nyliner	1
6	40-5940	Switch - On/Off	1	23	322-7	Screw - Hex. Hd.	1
7	63-8360	Key - Ignition	1	24	3296-29	Nut - Lock	2
8	52-5600	Pin - Control Lever	1	25	43-7390	Wire Harness Asm. (Incl. Ref.# 3)	1
9	47-4990	Post - Linkage Mounting	1	26	322-2	Screw - Hex. Hd.	4
10	3256-24	Washer	1	27	3290-456	Washer - Belleville	4
12	63-3640	Handle - Control	1	28	3290-196	Retainer - Nut	4
13	3234-13	Screw - Hex. Flange Hd.	1	29	3230-22	Bolt - Carriage	1
14	74-1360	Grip - Handle	1	30	3290-238	Washer - Pyramidal	1
15	52-5571	Handle - Left (Model 38052)	1	31	40-8280	Bracket - Chute Worm	1
*	52-5570	Handle - Left (Model 38054)	1	32	40-8250	Gear - Worm	1
16	321-9	Screw - Hex. Head	2	*	3290-378	Cable Tie	1

*Not Illustrated

ENGINE TECUMSEH MODEL HSSK50-67259P



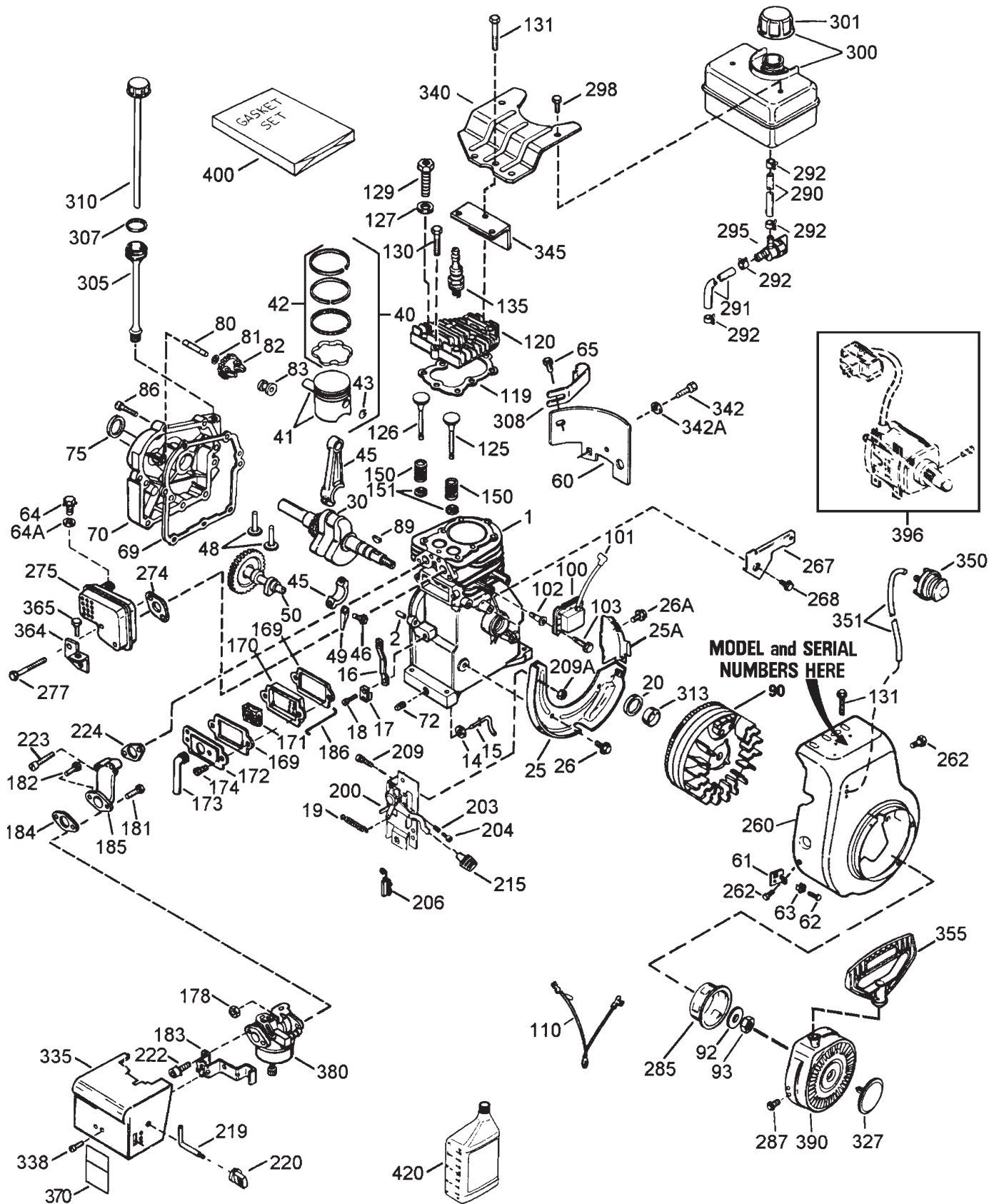
ENGINE TECUMSEH MODEL HSSK50-67259P

Ref. No.	Part No.	Description	No. Used
1	36469A	Cylinder Assembly (Incl. Ref. #2, 20, 72 & 125)	1
2	26727	Pin - Dowel	2
14	28277	Washer - Flat	1
15	31334	Rod - Governor	1
16	31510	Lever - Governor	1
17	31335	Clamp - Governor Lever	1
18	650548	Screw - Hex Washer Hd.	1
19	31426	Spring - Extension	1
20	32600	Seal - Oil	1
25	366552	Baffle - Blower Housing	1
25A	35883	Extension - Baffle	1
26	650802	Screw - Hex Washer Hd.	2
26A	650926	Screw	1
30	34740	Crankshaft Assembly	1
40	36073	Piston - Pin & Ring Asm.. Standard	1
	36074	Piston - Pin & Ring Asm. .010" oversize	1
	36075	Piston - Pin & Ring Asm. .020" oversize	1
41	36070	Piston & Pin Asm.. Standard (Incl. Ref. #43)	1
	36071	Piston & Pin Assembly .010" oversize (Incl. Ref. #43)	1
	36072	Piston & Pin Assembly .020" oversize (Incl. Ref. #43)	1
42	36076	Ring Set - Piston Std.	1
	36077	Ring Set - Piston .010" oversize	1
	36078	Ring Set - Piston .020" oversize	1
43	20381	Ring - Piston Pin Retaining	2
45	32875	Connecting Rod Assembly (Incl. Ref. #46 & 49)	1
46	32610A	Bolt - Connecting Rod	2
48	27241	Lifter - Valve	2
49	32654	Dipper - Oil	1
50	33158	Camshaft	1
60	29745	Extension - Blower	1
61	34126	Bracket - Grommet Mtg.	1
62	650760	Screw - Pan Hd.	1
63	28545	Grommet - Plastic	1
64	30063	Screw - Hex Washer Hd.	1
64A	8345	Washer - Flat	1
65	650128	Screw - Hex Hd.	1
69	*27677A	Gasket - Cylinder Cover	1
70	34674C	Cover - Cylinder (Incl. Ref. #75 & 80)	1
72	27642	Plug - Pipe	2
75	27897	Seal - Oil	1
80	30574A	Shaft - Governor	1
81	30590A	Washer - Flat	1
82	30591	Gear - Governor (Incl. Ref. #81)	1

Ref. No.	Part No.	Description	No. Used
83	30588A	Spool - Governor	1
86	650488	Screw - Hex Hd.	7
89	610961	Key - Flywheel	1
90	611199	Flywheel - w/Ring Gear	1
92	650815	Washer - Belleville	1
93	650863	Nut - Flywheel	1
100	34443A	Solid State Assembly	1
101	610118	Cover - Spark Plug	1
102	650872	Stud	2
103	651007	Screw - Torx	2
110	35557	Wire - Ground	1
119	*36443	Gasket - Cylinder Head	1
120	36441	Head - Cylinder (Incl. Ref. #131)	1
125	36471	Valve - Exhaust Standard (Incl. Ref. #151)	1
	36472	Valve - Exhaust 1/32" oversize (Incl. Ref. #151)	1
126	32644A	Valve - Intake Standard (Incl. Ref. #151)	1
	32645A	Valve - Intake 1/32" oversize (Incl. Ref. #151)	1
127	650691	Washer - Flat	1
129	650818	Screw - Special	1
130	6021A	Screw - Hex Flange Hd.	2
131	650694A	Screw - Hex Flange Hd.	5
135	35395	Plug - Spark (Champion RJ-19LM or equivalent)	1
150	31672	Spring - Valve	2
151	31673	Cap - Valve Spring	2
169	*27234A	Gasket - Valve Cover	2
170	27666	Body - Valve Cover	1
171	31410	Element - Valve Body	1
172	34146	Cover - Breather	1
173	35350	Tube - Breather	1
174	30200	Screw - Hex Hd.	2
178	29752	Nut & Lockwasher	2
181	650870	Screw - Hex Hd.	1
182	6201	Screw - Hex Hd.	1
183	34583	Bracket - Choke	1
184	*26756	Gasket - Carburetor	1
185	33691	Pipe - Intake	1
186	32698	Link - Governor to Throttle	1
200	36677	Control Assembly (Incl. Ref.# 203, 204, 206, 209 & 209A)	1
203	31342	Spring - Compression	1
204	650549	Screw - Fil. Hd.	1
206	610973	Terminal Assembly	1
209	650139	Screw	2
209A	30322	Lock Nut	2
215	35440	Knob - Speed Control	1
219	34582	Rod - Choke	1
220	35438	Knob - Choke Control	1
222	28820	Screw - Fil. Hd.	2
223	650664	Screw - Fil Hd.	2
224	*33673A	Gasket - Intake	1

* Indicated Parts included in Gasket Set Ref.#400

ENGINE TECUMSEH MODEL HSSK50-67259P

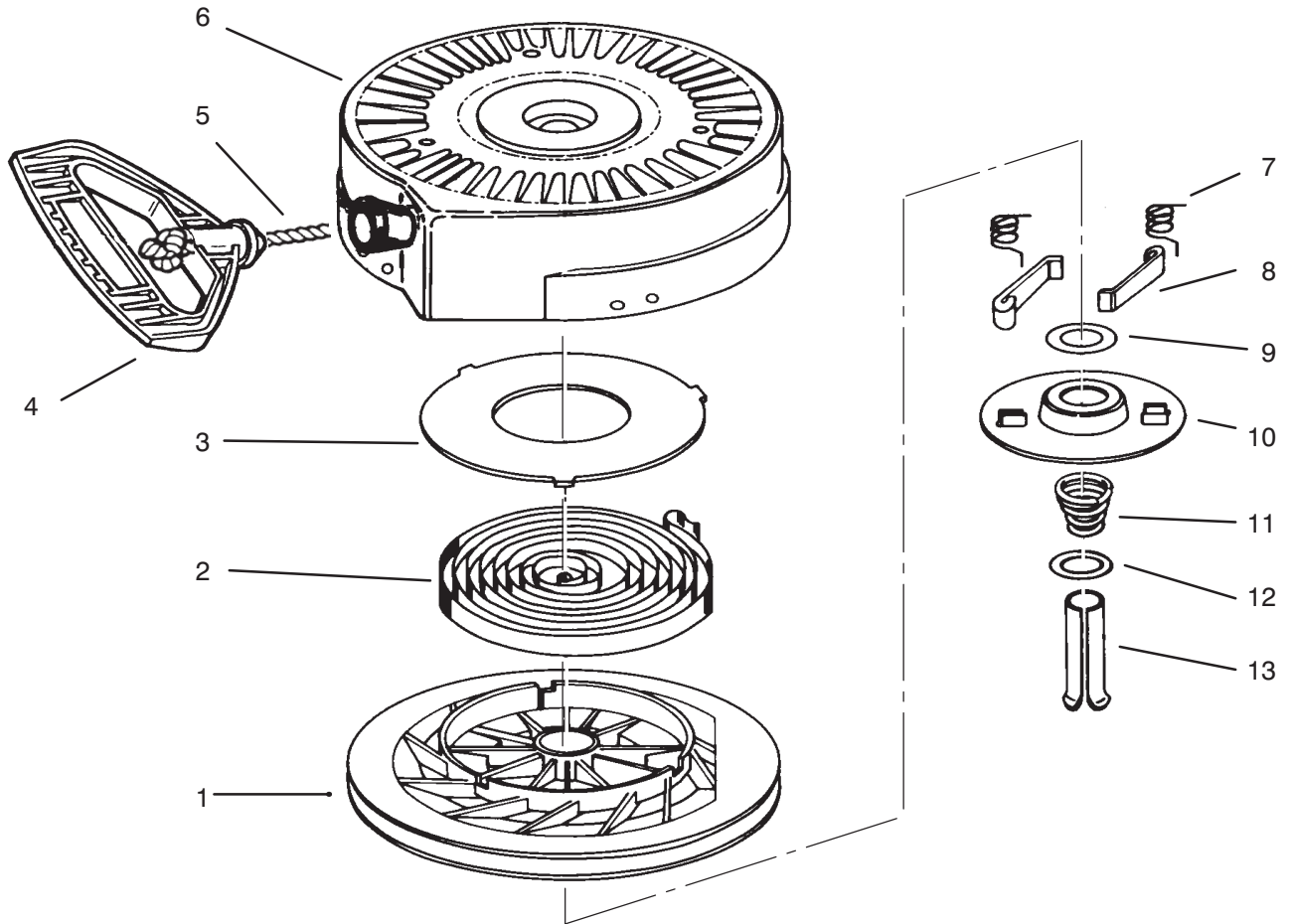


ENGINE TECUMSEH MODEL HSSK50-67259P (Cont.)

Ref. No.	Part No.	Description	No. Used
260	35656A	Housing – Blower	1
262	650737	Screw – Hex Hd.	2
267	34212	Bracket – Hold Down	1
268	30200	Screw – Hex Washers Hd.	1
272	650735	Screw – Hex Hd,	1
274	*33670A	Gasket – Exhaust	1
275	35771	Muffler (Incl. Ref.# 274)	1
277	650327	Screw – Fil. Hd.	2
285	36476A	Cup – Starter	1
287	650926	Screw – Hex Washer Hd.	2
290	29774	Line – Fuel	1
291	30705	Line – Fuel	1
292	26460	Clamp – Fuel Line	4
295	35857	Valve – Shut-Off	1
298	650665	Screw – Hex Washer Hd.	2
300	35584	Tank Assembly – Fuel (Incl. Ref. #292 & 301)	1
301	36246	Cap – Fuel Tank	1
305	35554	Tube Asm.. – Oil Fill	1
307	35499	"O" Ring	1
308	35539	Clip – Oil Fill	1
310	35556	Dipstick	1
313	34080	Spacer – Flywheel Key	1
327	35392	Plug – Starter	1
335	35072	Cover – Carburetor	1
338	650257	Screw – Pan Hd.	2

Ref. No.	Part No.	Description	No. Used
340	36247	Plate – Fuel Tank	1
342	30063	Screw w/Belleville Washer	1
342A	650675	Washer – Flat	1
345	33344	Baffle – Heat	1
350	570682	Primer Assembly	1
351	32180C	Line – Primer	1
355	590574	Handle – Starter	1
364	33333	Carburetor Cover Bracket	1
365	650735	Screw	1
370	36261	Decal – Lubrication	1
380	632107A	Carburetor (Incl. Ref. #184)	1
390	590707	Starter – Rewind (NOTE: This engine could have been built with a starter. Refer to the design of the air intake louvers for part identification. Individual starter parts do not interchange.)	1
	590646		
396	33290D	Electric Starter Kit (Optional)	1
400	36444	Gasket Set	1
420	730226	Oil – 4 Cycle SAE 5W30 (Quart)	1

* Indicated Parts included in Gasket Set Ref.#400

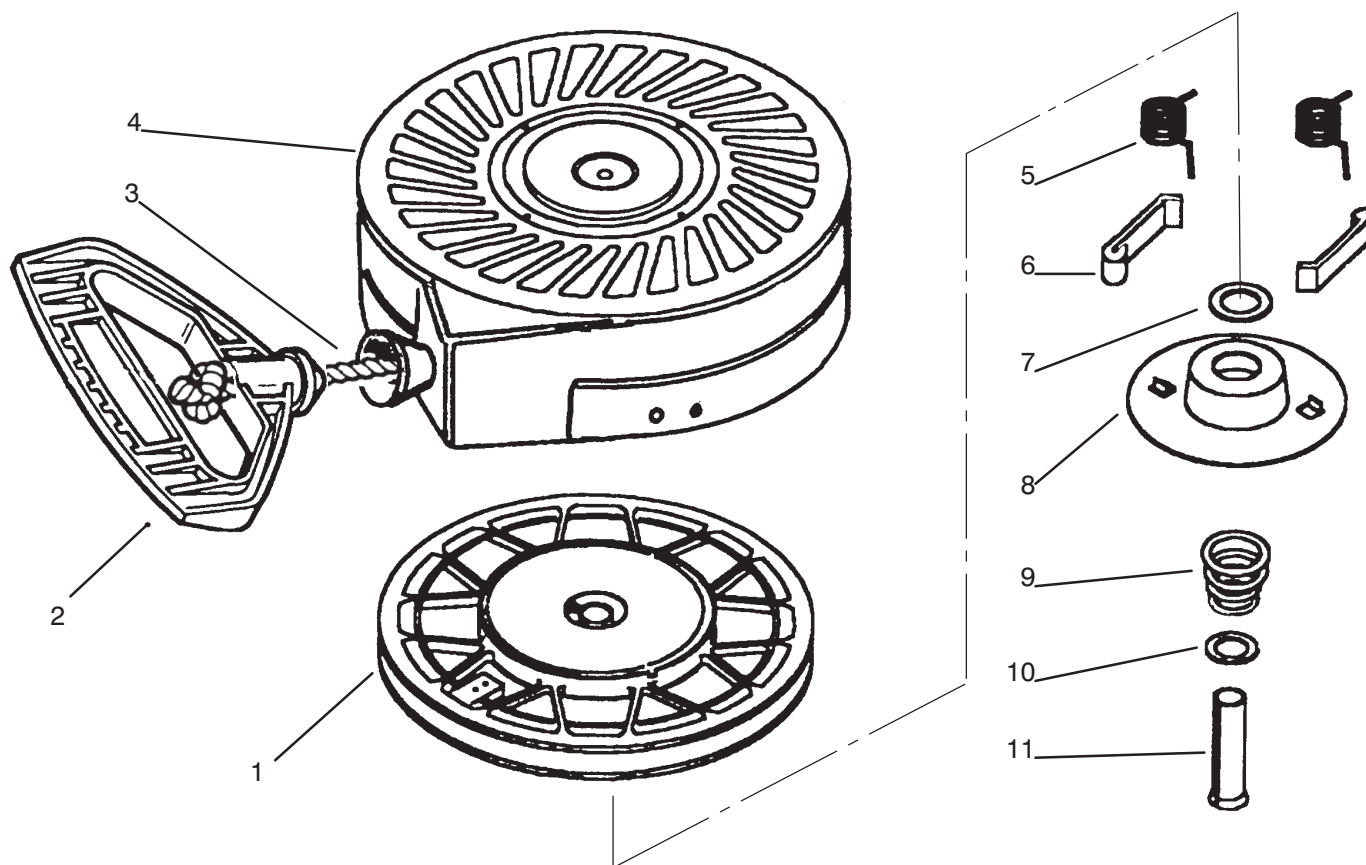


REWIND STARTER NO. 590646

Ref. No.	Part No.	Description	No. Used
1	590645A	Pulley	1
2	590619	Spring – Rewind	1
3	590620	Cover – Spring	1
4	590574	Handle – Mitten Grip	
5	590535	Rope – 9/64" dia. x 98" long	1
6	590647	Housing Assembly	1
7	590617	Spring – Dog	2
8	590616	Dog – Starter	2

Ref. No.	Part No.	Description	No. Used
9	590598	Spring – Brake	1
10	590601	Washer	1
11	590615	Retainer	1
12	590600	Washer	1
13	590599A	Pin – Spring (Incl. Ref. #4)	1
*	590646	Starter – Rewind (Not included with Starter)	1

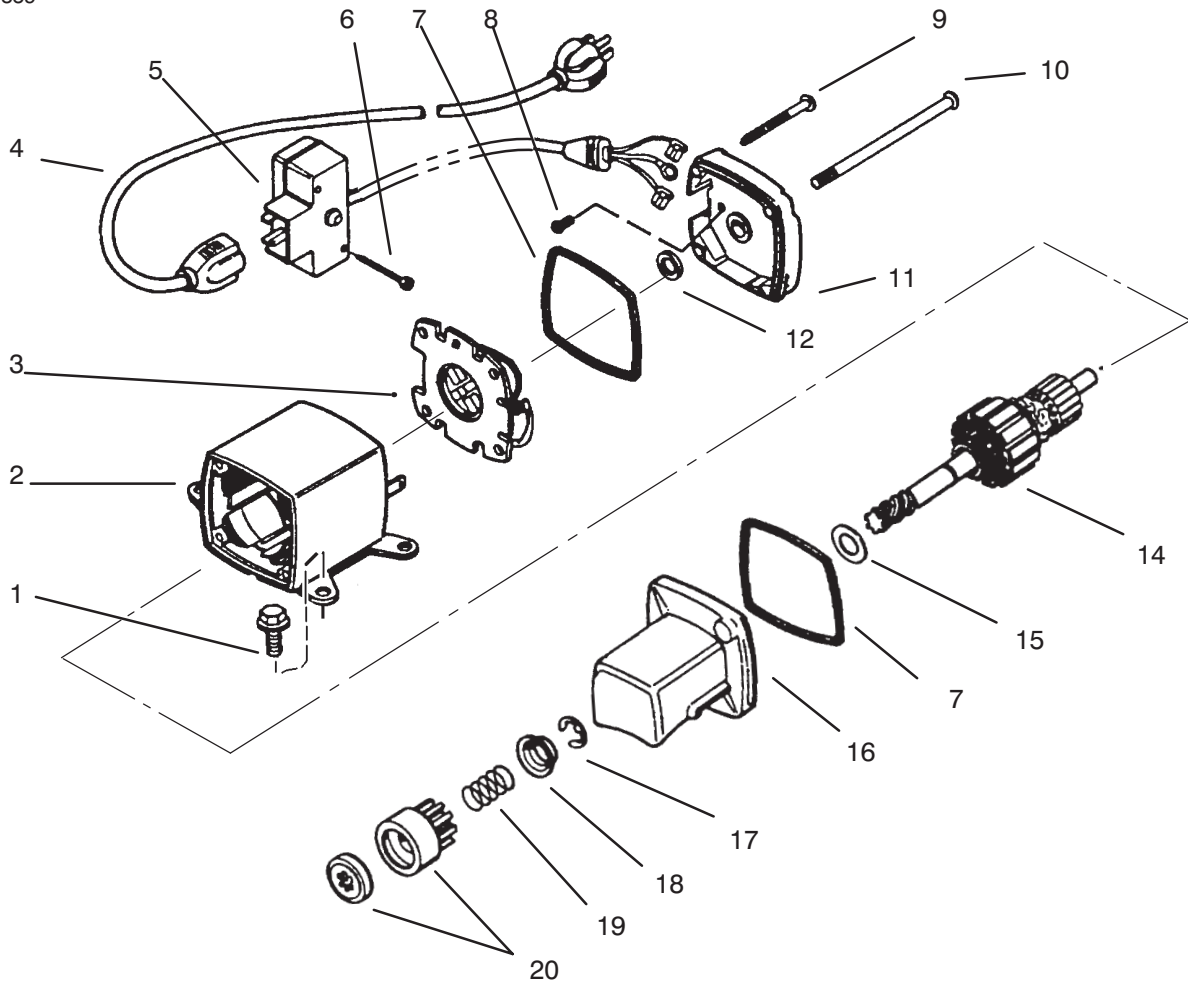
* Not Illustrated



REWIND STARTER NO. 590707

Ref. No.	Part No.	Description	No. Used	Ref. No.	Part No.	Description	No. Used
1	590709	Pulley	1	7	590601	Washer	1
2	590574	Handle – Mitten Grip (Not included with Starter)	1	8	590696	Retainer	1
3	590535	Rope – 9/64" dia. x 98" long	1	9	590697	Spring – Brake	1
4	590708	Housing Assembly	1	10	590600	Washer	1
5	590699	Spring – Dog	2	11	590599A	Pin – Spring (Incl. Ref. # 7)	1
6	590698	Dog – Starter	2	*	590707	Starter – Rewind	1

* Not Illustrated

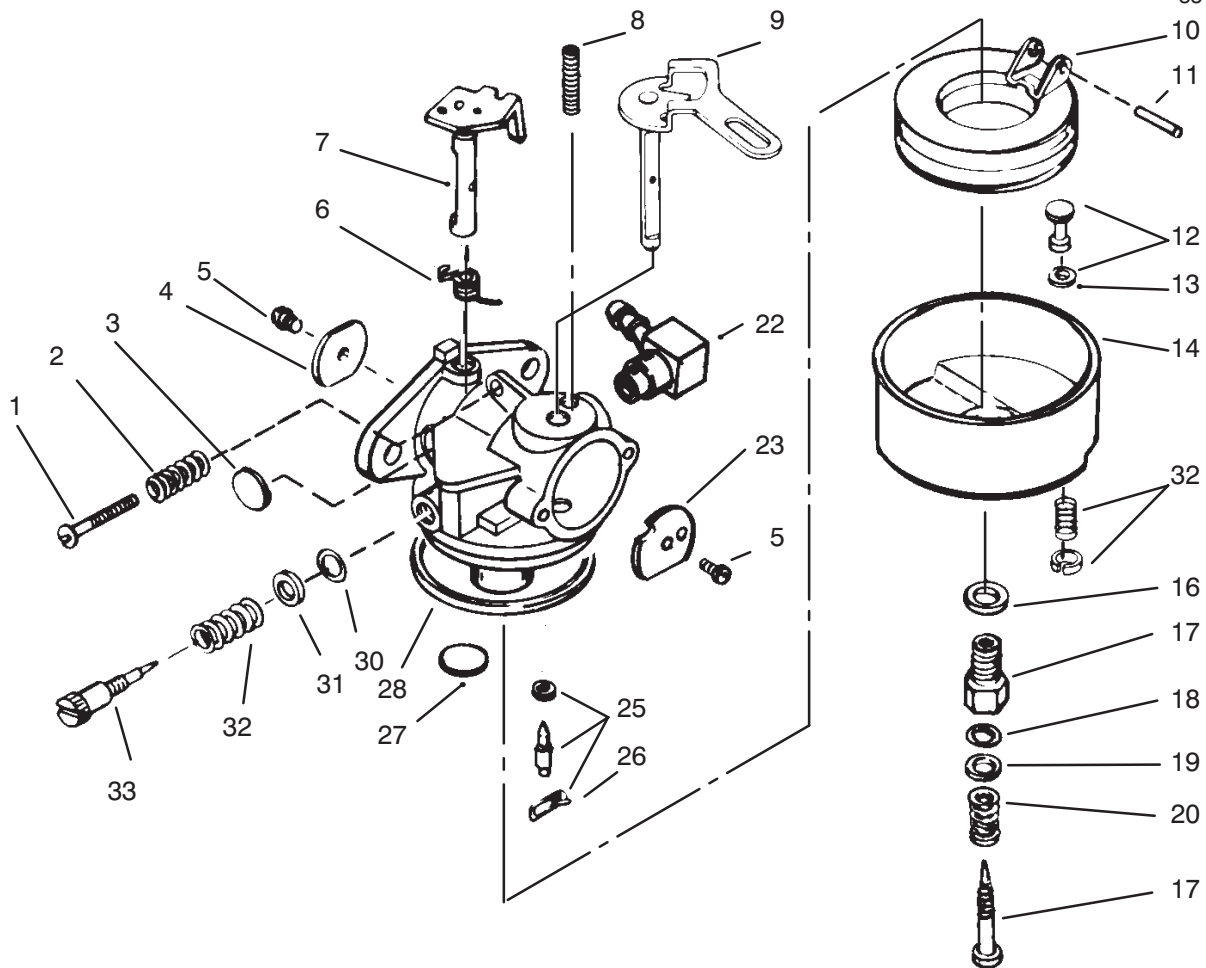


STARTER MOTOR NO. 33290

Ref. No.	Part No.	Description	No. Used
1	650759	Screw – Torx	3
2	34559A	Housing Asm	1
3	35452A	Brush & Spring Card Asm	1
4	32450B	Cord – Extension	1
5	35454	Switch Box Asm	1
6	650819	Screw	2
7	35450	”O’Ring	2
8	33441	Screw – Ground	1
9	35456	Scerw – Ground	1
10	35462	Bolt – Case	2
11	35453	Cap – Commutator End Asm (Incl. Ref. #7)	1

Ref. No.	Part No.	Description	No. Used
12	590500	Washer – Thrust	1
14	35912	Armature	1
15	35911	Washer – Thrust	1
16	35461	Cap – Drive End (Incl. Ref.# 7)	1
17	31749	Ring – Retainer	1
18	33522	Retainer – Spring	1
19	33769	Spring – Anti Drift	1
20	33534	Nut & Gear	1
*	33290D	Starter – Electric (110 Volt)	1

* Not Illustrated



CARBURETOR NO. 632107A

Ref. No.	Part No.	Description	No. Used
1	650417	Screw – Idle	1
2	630766	Spring – Idle Screw	1
3	630748†	Plug – Welch	1
4	631036	Shutter – Throttle	1
5	650506	Screw	2
6	631767	Spring – Throttle Return	1
7	631615	Shaft & Lever Assembly	1
8	630735	Spring – Choke Stop	1
9	632108	Shaft & Lever Asm.	1
10	632019	Float – Carburetor	1
11	631024†	Shaft – Float	1
12	27136A	Drain Assembly – Bowl (Incl. Ref. #13)	1
13	27554	Gasket – Drain Plunger	1
14	631951	Bowl – Assembly (Incl. Ref. #12 & 13)	1
16	27110†	Washer – Bowl Nut	1
17	31839†	Screw Adjustment Assembly	1

Ref. No.	Part No.	Description	No. Used
		(Incl. Ref. #16–20)	1
18	630740†	"O" Ring	1
19	630739	Washer – Flat	1
20	630738	Spring	1
22	631807	Fitting – Fuel Inlet	1
23	631815	Shutter – Choke	1
25	631021†	Inlet Needle – Seat & Clip (Incl. Ref. #26)	1
26	631022	Clip – Inlet Needle	1
27	631027†	Plug – Welch	1
29	631028†	Gasket	1
30	630740†	"O" Ring	1
31	630739	Washer – Flat	1
33	631838†	Screw – Idle	1
32	630766	Spring – Idle Tension	1
*	31840	Repair Kit (Incl. Items Marked †)	1
*	632107A	Carburetor (Incl. Ref. #1–32)	1

* Not Illustrated

TORO PART NUMBER INDEX

Part No.	Description	Pg. No.	Ref. No.	Qty.	Part No.	Description	Pg. No.	Ref. No.	Qty.
3-0737	Washer	1	14	1	39-1230	Bracket - Sliding	5	5	1
3-4244	Idler Pulley	3	6	1	39-1250	Cam - Receiver	5	15	1
3-8664	Washer	2	47	1	39-1280	Mount - Speed Selector	6	25	1
3-8664	Washer - Thrust	4	28	2	39-1520	Hub - Friction Wheel Mount	5	19	1
5-1550	Washer - Thrust	2	34	4	39-1551	Blade - Scraper	2	36	1
5-7170	Gear - Worm	2	46	1	39-3060	Rod - Lower Traction	5	27	1
5-7180	Gear	2	43	1	39-3080	Clevis	6	6	1
5-7570	Washer - Thrust	5	24	2	39-3850	Decal - Choke	3	15	1
7-0045	Seal - Oil	2	54	2	39-7570	Rod - Speed Selector	6	3	1
10-9280	Washer - Thrust	5	9	2	40-5940	Switch - On/Off	7	6	1
12-3270	Screw - Tapping	4	4	8	40-8130	Spacer - Speed Selector	6	14	1
12-7739	Bracket - Chute Control	7	21	1	40-8160	Skid	2	31	2
12-8789	Bearing Asm.	2	*	1	40-8230	Grip - Rod	7	19	1
14-2449	Gear Case R.H.	2	52	1	40-8250	Gear - Worm	7	32	1
14-2459	Gear Case L.H.	2	40	1	40-8270	Rod - Chute Control	7	1	1
14-7959	Auger Clutch	3	9	1	40-8280	Bracket - Chute Worm	7	31	1
17-9120	Mount - Wire	7	3	3	40-8350	Screw - Shoulder	5	32	1
Reference	Panel - Escutcheon	7	4		40-9680	Spacer	5	31	1
20-1620	Bearing - Friction Wheel	5	4	2	42-671	Screw (3+33		2
20-4320	Washer - Rubber	1	13	2	42-3560	Bolt - Shoulder	3	11	1
27-0220	Screw - Self Tapping	2	28	6	43-7290	Screw - Special	3	29	1
32-251-1	Washer	3+31		2	43-7310	Traction Engagement Asm.	5	34	1
36-180	Washer - Lock	3+32		2	43-7360	Panel - Escutcheon	6	10	1
36-4790	Washer - Thrust	5	17	2	43-7370	Engine Pulley	3	28	1
37-6490	Retainer - Chute Ring	2	25	3	43-7390	Wire Harness Asm.	7	25	1
37-6500	Gear - Sliding	5	2	1	47-4990	Post - Linkage Mounting	7	9	1
37-6520	Gear - Axle	4	27	1	47-4990	Post - Linkage Mounting	6	23	1
37-6550	Bearing - Auger	2	35	2	49-3040	Tube - Drain	3	18	1
37-6560	Bushing - Input	2	57	1	51-0460	Gasket	2	51	1
37-6570	Wheel - Friction	5	18	1	52-5560	Handle - Right	6	*	1
37-6760	Shaft - Pivot	5	21	1	52-5561	Handle - Right	6	1	1
37-6780	Shaft - Hex	5	25	1	52-5570	Handle - Left	7	*	1
37-6800	Shaft - Auger	2	55	1	52-5571	Handle - Left	7	15	1
37-6830	Cover - Bottom	4	17	1	52-5590	Link - Upper	6	2	1
37-6850	Bearing - Axle	4	23	2	52-5590	Link - Upper	7	2	1
37-6890	Pulley	1	16	1	52-5600	Pin - Control Lever	7	8	1
37-6900	Cover - Belt	3	1	1	52-5600	Pin - Control Lever	6	24	1
37-6960	Gear Case Asm.	2	*	1	53-7570	Spring - Auger Disengage	3	8	1
37-6990	Shaft & Impeller	1	4	1	53-7660	Decal - Discharge	1	22	1
37-8770	Bolt - Shoulder	4	14	3	53-7670	Decal - Auger Warning	1	3	1
37-8770	Bolt - Shoulder	5	14	3	55-8950	Plate - Friction	1	12	2
37-8790	Mount - Quadrant Gear	5	10	1	56-2670	Chute - Wire	1	20	1
37-8800	Quadrant - Gear	5	13	1	56-2680	Deflector	1	18	1
37-8820	Selector - Speed	6	17	1	56-2693	Chute - Discharge	1	21	1
37-8870	Spring - Friction Plate	4	25	1	56-6292	Chute - Discharge	1	*	1
37-8880	Spring - Traction Engage	5	6	1	63-2410	Decal - Choke	3	*	1
37-8900	Frame - Traction	4	12	1	63-2450	Decal - Throttle	3	14	1
37-8941	Ring - Chute	2	30	1	63-3450	Bearing - Ball	1	7	1
37-8990	Retainer - Belt	3	23	1	63-3510	Decal - Chute Direction	7	20	1
37-9070	Mount - Clutch Rod Rear	4	11	1	63-3640	Handle - Control	7	12	1
37-9080	V-Belt - Auger	3	27	1	63-3640	Handle - Control	6	21	1
37-9090	V-Belt - Traction	3	26	1	63-8360	Key - Ignition	7	7	1
37-9150	Spring	6	13	1	66-6560	Decal - 521	6	11	1
37-9160	Intermediate Gear & Bushing	5	8	1	66-6790	Mount - Clutch Rod Front	4	7	1
38-0800	Plate - Friction	4	13	1	66-6830	Decal - Escutcheon Back	7	5	1
38-4490	Bracket - Traction	5	30	1	66-6840	Decal - Hot Surface Warning	3	16	1
38-4520	Spring - Compression	5	28	1	66-8060	Molded Brake Asm.	3	2	1
38-7820	Bearing	4	10	1	74-1350	Shaft - Axle	4	22	1
39-1180	Auger - R.H.	1	2	1	74-1360	Grip - Handle	7	14	1
39-1190	Auger - L.H.	1	*	1	74-1360	Grip - Handle	6	22	1

*Not Illustrated

TORO PART NUMBER INDEX (Cont.)

3317-859

Part No.	Description	Pg. No.	Ref. No.	Qty.	Part No.	Description	Pg. No.	Ref. No.	Qty.
88-0550	Frame - Friction Plate	4	5	1	3256-23	Washer - Flat	3	21	5
88-0560	Hub - Frame	4	9	1	3256-24	Washer	7	10	1
88-0850	Pulley & Shaft	4	1	1	3256-24	Washer	6	20	1
94-2558	Decal - Discharge	1	*	1	3256-24	Washer - Flat	3	4	1
94-2563	Decal - Escutcheon Back	7	*	1	3256-68	Washer - Flat	1	11	2
94-2568	Decal - Auger Warning	1	*	1	3257-23	Key	1	15	1
94-2572	Decal - Primer	3	13	1	3257-23	Key - Woodruff	2	59	1
94-2576	Decal - Hot Surface Warning	3	*	1	3257-24	Key	5	23	1
94-2783	Housing - Auger	1	1	1	3257-33	Key - Woodruff	2	39	1
94-2784	Housing - Auger	1	1	1	3272-4	Pin - Cotter	6	4	3
127-18	Guard - Muffler	3	30	1	3290-196	Retainer - Nut	4	7	28
231-120	Tire	4	18	2	3290-238	Washer - Pyramidal	7	30	1
232-46	Tube	4	21	2	3290-243	Pin - Klik	4	19	2
233-21	Knob	6	16	1	3290-320	Nut - Push	7	18	2
237-87	Seal	2	58	1	3290-320	Nut - Push On	3	5	1
241-131	Rim	4	20	2	3290-326	Pushnut	2	29	1
252-71	Bearing - Thrust	2	42	2	3290-340	Washer - Belleville	1	10	2
252-76	Bearing - Needle, Thrust	2	45	1	3290-378	Cable Tie	6	*	1
252-80	Washer - Thrust	4	3	1	3290-378	Cable Tie	7	*	1
252-80	Washer - Thrust	2	50	1	3290-456	Washer - Belleville	7	27	4
256-32	Bushing	2	49	1	3296-16	Nut - Lock	5	12	1
256-86	Bushing	5	3	1	3296-29	Nut - Lock	5	11	1
256-237	Bushing	2	53	2	3296-29	Nut - Lock	4	15	6
256-249	Nyliner	7	22	1	3296-29	Nut - Lock	3	20	4
256-322	Bushing	4	6	1	3296-29	Nut - Lock	7	24	2
257-3	Washer - Thrust	2	44	1	3296-29	Nut - Lock	1	9	13
281-1	Pipe - Plug	2	41	1	3296-42	Nut - Lock	7	17	2
281-7	Plug - Pipe	3	19	1	3296-42	Nut - Lock	5	33	1
283-3	Pin - Clevis	6	5	1	3296-42	Nut - Lock	2	37	2
321-4	Screw - Hex. Hd.	5	16	1	3296-48	Nut - Lock	5	20	1
321-9	Screw - Hex. Head	7	16	2	3296-56	Nut - Lock	3	7	1
321-10	Screw	2	38	2	3296-59	Nut - Lock	3	3	1
322-2	Screw - Hex. Hd.	5	7	4	32115-5	Retainer - Nut	6	8	1
322-2	Screw - Hex. Hd.	4	26	4	32120-72	Ring - Retaining	2	48	1
322-2	Screw - Hex. Hd.	7	26	4	32121-31	Pin - Roll	4	24	2
322-7	Screw	6	26	1	32121-45	Pin - Roll	5	22	2
322-7	Screw	3	22	4	32128-13	Nut - Flange Lock	6	12	1
322-7	Screw - Hex. Hd.	7	23	1	32128-20	Nut - Flange	2	32	4
323-29	Screw	3	10	1	32128-32	Nut - Flange	5	29	1
3210-3	Screw	3	25	1	32128-33	Nut - Flange	5	26	2
3218-1	Nut - Jam	6	7	1	32128-33	Nut - Flange Lock	6	27	2
3229-11	Bolt - Carriage	6	15	2	32144-4	Screw - Self Tap. Hex. Hd.	4	16	6
3230-1	Bolt - Carriage	2	60	9	32144-4	Screw - Self Tapping	3	17	3
3230-18	Bolt - Carriage	1	5	6	32144-41	Screw - Self Tapping	2	56	8
3230-22	Bolt - Carriage	1	19	2	32144-70	Screw - Self Tap. Hex. Hd.	5	1	4
3230-22	Bolt - Carriage	7	29	1	32144-70	Screw - Self Tap. Hex. Hd.	4	8	5
3234-13	Screw - Hex. Flange Hd.	7	13	1	32144-70	Screw - Self Tapping	2	26	4
3234-13	Screw - Hex. Flange Hd.	6	18	1	32151-36	Ring - Retaining	2	33	2
3242-4	Screw - Set	1	17	2	32151-61	Ring - Retaining	5	35	1
3255-8	Washer - Lock Ext. Tooth	3	24	1	32151-73	Ring - Clip	6	19	1
3256-23	Washer	6	9	4	32151-103	Ring - Snap	4	2	1
3256-23	Washer	1	23	3					

*Not Illustrated

MAINTENANCE RECORD

Date								