



60in Recycler® Kit

TITAN Zero-Turn-Radius Riding Mower

Model No. 119-3455

Installation Instructions

Installation

Loose Parts

Use the chart below to verify that all parts have been shipped.

Description	Qty.	Use
Right baffle	1	Install the Recycler® Kit
Left baffle	1	
Filler plate (2010 decks and up only)	1	
Baffle guard	1	
Lock nut (5/16 inch)	10	
Carriage bolt (5/16 x 3/4 inch)	4	
Decal	1	
Mulching blade	3	

Installing the Recycler® Kit

For Decks from Model Year 2009

For machine with mower decks from model year 2010 and newer skip to the next section for the installation procedures.

1. Stop the engine and remove the ignition key.
2. Remove the mower as described in your *Operator's Manual*.
3. Turn the mower upside down.
4. Remove the existing mower blades installed on your deck. Refer to the Removing the Blades section in the *Operator's Manual* for more information.
5. Locate the cut-off baffle at the side discharge opening on the mower deck (Figure 1).

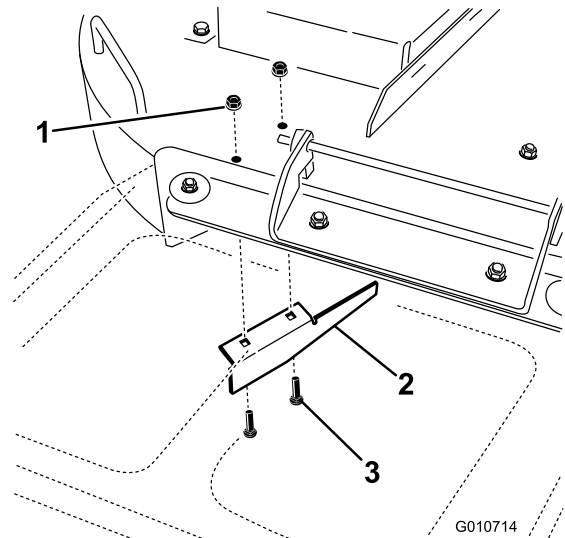


Figure 1

1. Lock nut, existing
2. Cut-off baffle, existing
3. Carriage bolt, existing

6. Remove the fasteners securing the cut-off baffle to the deck and remove the cut-off baffle.

Note: Save the cut-off baffle for converting back to side discharge.

7. Install the fasteners into the same holes in the deck they were originally removed from. This ensure no holes are left open when the deck is operated.

⚠ DANGER

Open holes in the mower expose you and others to thrown debris. Debris thrown out of holes in the mower can cause injury.

- Never operate the mower without hardware mounted in all holes in the mower.
- Install hardware in mounting holes when the baffle is removed.

8. Install the right baffle to mower deck as shown in Figure 2. Use three lock nuts (5/16 inch) to secure the welded posts of the right baffle to the top of the mower deck at center, right of center and right positions. Hand tighten the fasteners.

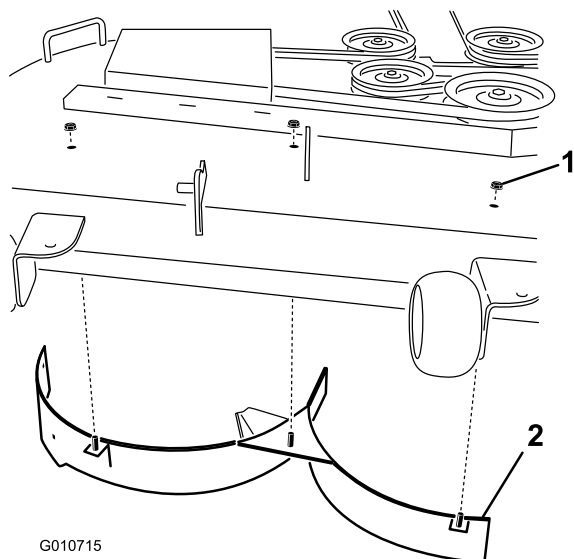


Figure 2

1. Lock nut (5/16 inch) 2. Right baffle

9. Locate the baffle guard in loose parts. Use two carriage bolts (5/16 x 3/4 inch) and two lock nuts (5/16 inch) to the deck to secure the baffle guard to the right baffle and the mower deck as shown in Figure 3. Hand tighten the fasteners.

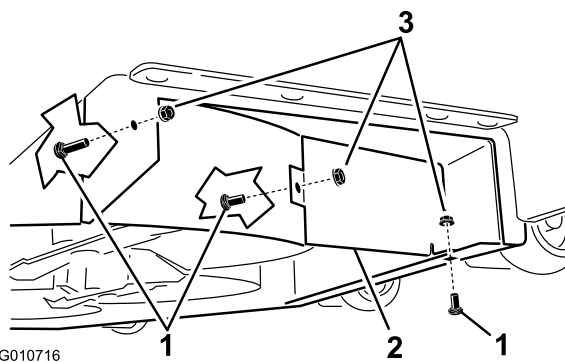


Figure 3

1. Carriage bolts (5/16 x 3/4 inch) 3. Lock nut (5/16 inch)
2. Baffle guard, 60 inch

10. Locate a carriage bolt (5/16 x 3/4 inch) and lock nut (5/16 inch) from loose parts. Install the carriage bolt and lock nut through rear wall of the mower deck and right baffle to secure the baffle to the deck.

11. Tighten all fasteners.

12. Install the left baffle to the mower deck as shown in Figure 4. Use three lock nuts (5/16 inch) to secure the welded posts of the right baffle to the top of the mower deck at the center, left of center and left positions. Hand tighten the fasteners.

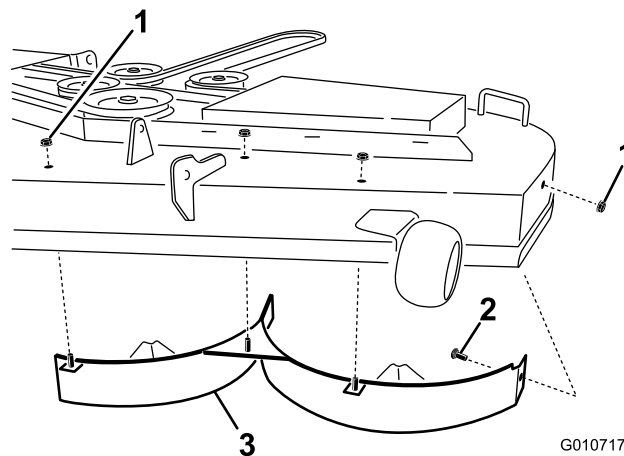


Figure 4

1. Lock nut (5/16 inch) 3. Left baffle
2. Carriage bolt (5/16 x 3/4 inch)

13. Locate a carriage bolt (5/16 x 3/4 inch) and a lock nuts (5/16 inch) from loose parts. Install the carriage bolt and lock nut through side wall of the mower deck and left baffle to secure the baffle to the deck.

14. Tighten all fasteners.

15. Remove the backing paper and apply decal to the discharge side of the mower (Figure 5). Smooth it from the center to the edges to remove any air bubbles.

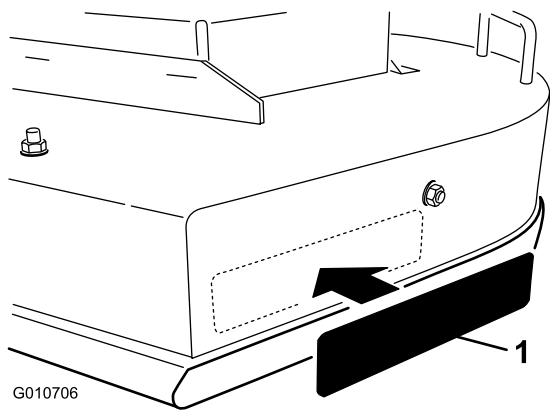


Figure 5

1. Decal

16. Install the mulching mower blades located in loose parts. Refer to the Installing the Blades section in the *Operator's Manual* for more information.

For Decks from Model Year 2010 and Up.

For machine with mower decks from model year 2009 refer to the previous section for the installation procedures.

1. Stop the engine and remove the ignition key.
2. Remove the mower as described in your *Operator's Manual*.
3. Turn the mower upside down.
4. Remove the existing mower blades installed on your deck. Refer to the Removing the Blades section in the *Operator's Manual* for more information.
5. Locate the cut-off baffle at the side discharge opening on the mower deck (Figure 6).

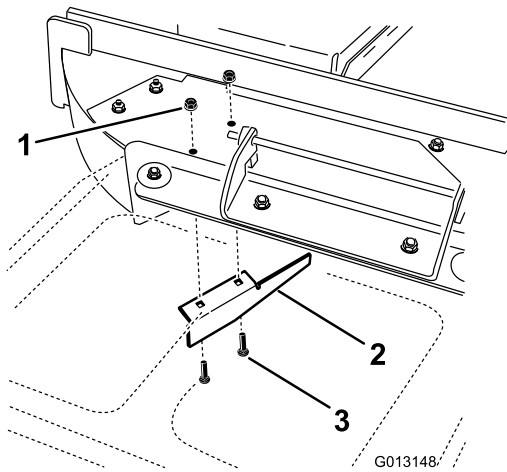


Figure 6

1. Lock nut, existing
2. Cut-off baffle, existing
3. Carriage bolt, existing

6. Remove the fasteners securing the cut-off baffle to the deck and remove the cut-off baffle.

Note: Save the cut-off baffle for converting back to side discharge.

7. Install the filler plate at the same location as shown in Figure 7. Use the fasteners previously removed to secure the plate to the mower deck.

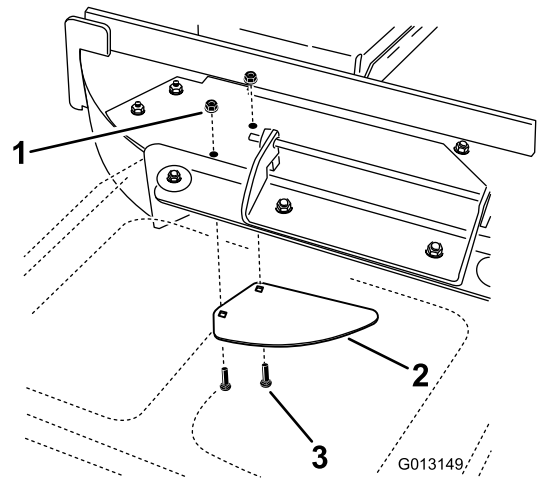


Figure 7

1. Lock nut, existing
2. Filler plate
3. Carriage bolt, existing

⚠ DANGER

Open holes in the mower expose you and others to thrown debris. Debris thrown out of holes in the mower can cause injury.

- Never operate the mower without hardware mounted in all holes in the mower.
- Install hardware in mounting holes when the baffle is removed.

8. Install the right baffle to mower deck as shown in Figure 8. Use three lock nuts (5/16 inch) to secure the welded posts of the right baffle to the top of the mower deck at center, right of center and right positions. Hand tighten the fasteners.

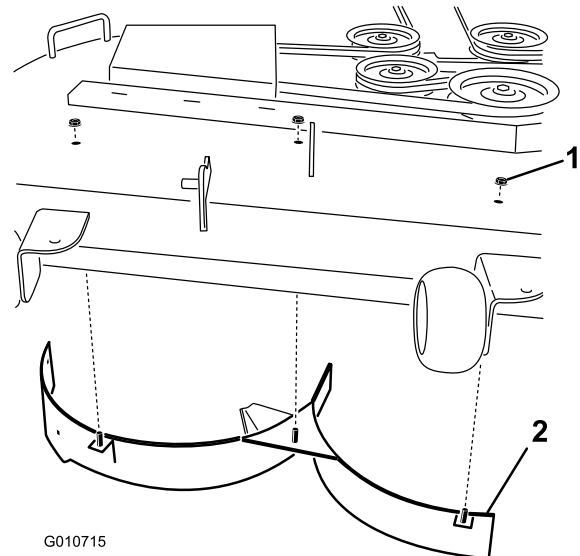


Figure 8

1. Lock nut (5/16 inch)
2. Right baffle

9. Locate the baffle guard in loose parts. Use two carriage bolts (5/16 x 3/4 inch) and two lock nuts (5/16 inch) to the deck to secure the baffle guard to the right baffle and the mower deck as shown in Figure 9. Hand tighten the fasteners.

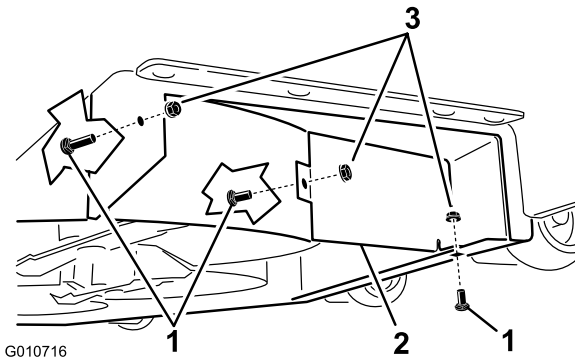


Figure 9

1. Carriage bolts (5/16 x 3/4 inch)
2. Baffle guard, 60 inch
3. Lock nut (5/16 inch)

10. Locate a carriage bolt (5/16 x 3/4 inch) and lock nut (5/16 inch) from loose parts. Install the carriage bolt and lock nut through rear wall of the mower deck and right baffle to secure the baffle to the deck.

11. Tighten all fasteners.

12. Install the left baffle to the mower deck as shown in Figure 10. Use three lock nuts (5/16 inch) to secure the welded posts of the right baffle to the top of the mower deck at the center, left of center and left positions. Hand tighten the fasteners.

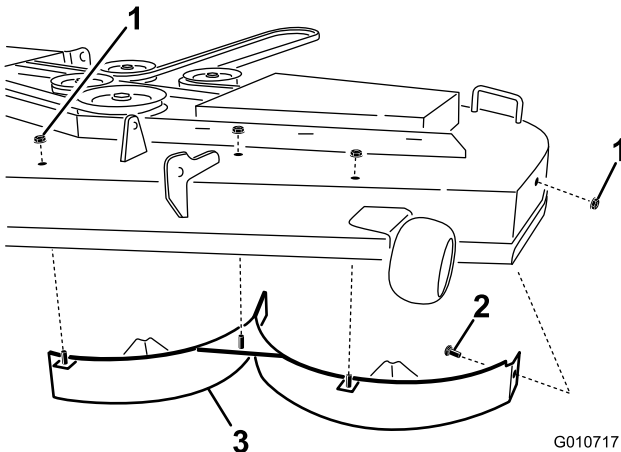


Figure 10

1. Lock nut (5/16 inch)
2. Carriage bolt (5/16 x 3/4 inch)
3. Left baffle

13. Locate a carriage bolt (5/16 x 3/4 inch) and a lock nuts (5/16 inch) from loose parts. Install the carriage bolt and lock nut through side wall of the mower deck and left baffle to secure the baffle to the deck.

14. Tighten all fasteners.

15. Remove the backing paper and apply decal to the discharge side of the mower (Figure 11). Smooth it from the center to the edges to remove any air bubbles.

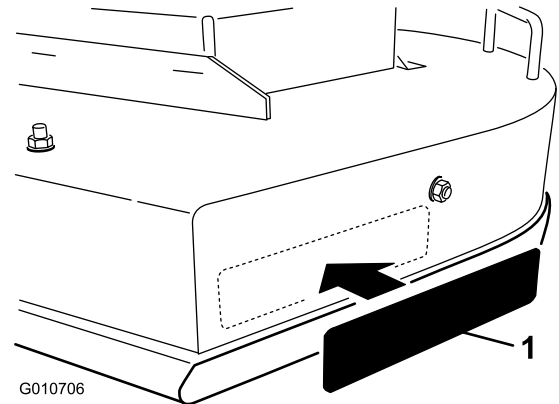


Figure 11

1. Decal

16. Install the mulching mower blades located in loose parts. Refer to the Installing the Blades section in the *Operator's Manual* for more information.

Operation

Operating Tips

Selecting the Proper Height-of-Cut Setting to Suit the Conditions

Remove approximately one inch or no more than $\frac{1}{3}$ of the grass blade when cutting. In exceptionally lush and dense grass you may have to raise the height-of-cut setting another notch or convert to side discharge or bagging operations.

Mowing in Extreme Conditions

Air is required to cut and recut grass clippings in the mower housing, so do not set the height-of-cut too low or totally surround the housing by uncut grass. Always have one side of the mower housing free from uncut grass, allowing air to be drawn into housing. When making an initial cut through the center of the uncut area, operate the machine at a slower speed and back up if the mower starts to clog.

Mowing at the Proper Intervals

Under normal conditions you'll need to mow every 4-5 days. However, grass grows at different rates at different times. Thus, in order to maintain the same height-of-cut, which is a good practice, you'll need to cut more frequently in early spring; as the grass growth rate slows in mid summer, cut only every 8-10 days. If you are unable to mow for an extended period due to the weather conditions or other reasons, convert to side discharge or bagging options or mow first with the height-of-cut at a high level; then mow again 2-3 days later with a lower height setting.

Always Mow with Sharp Blades

A sharp blade cuts cleanly and without tearing or shredding the grass blade like a dull blade. Tearing and shredding causes the grass to turn brown at the edges which impairs growth and increases susceptibility to disease.

Cleaning After Operating

To ensure optimum performance, clean the underside of the mower housing. If residue is allowed to build up in mower housing, cutting performance will decrease.

Notes:



Count on it.