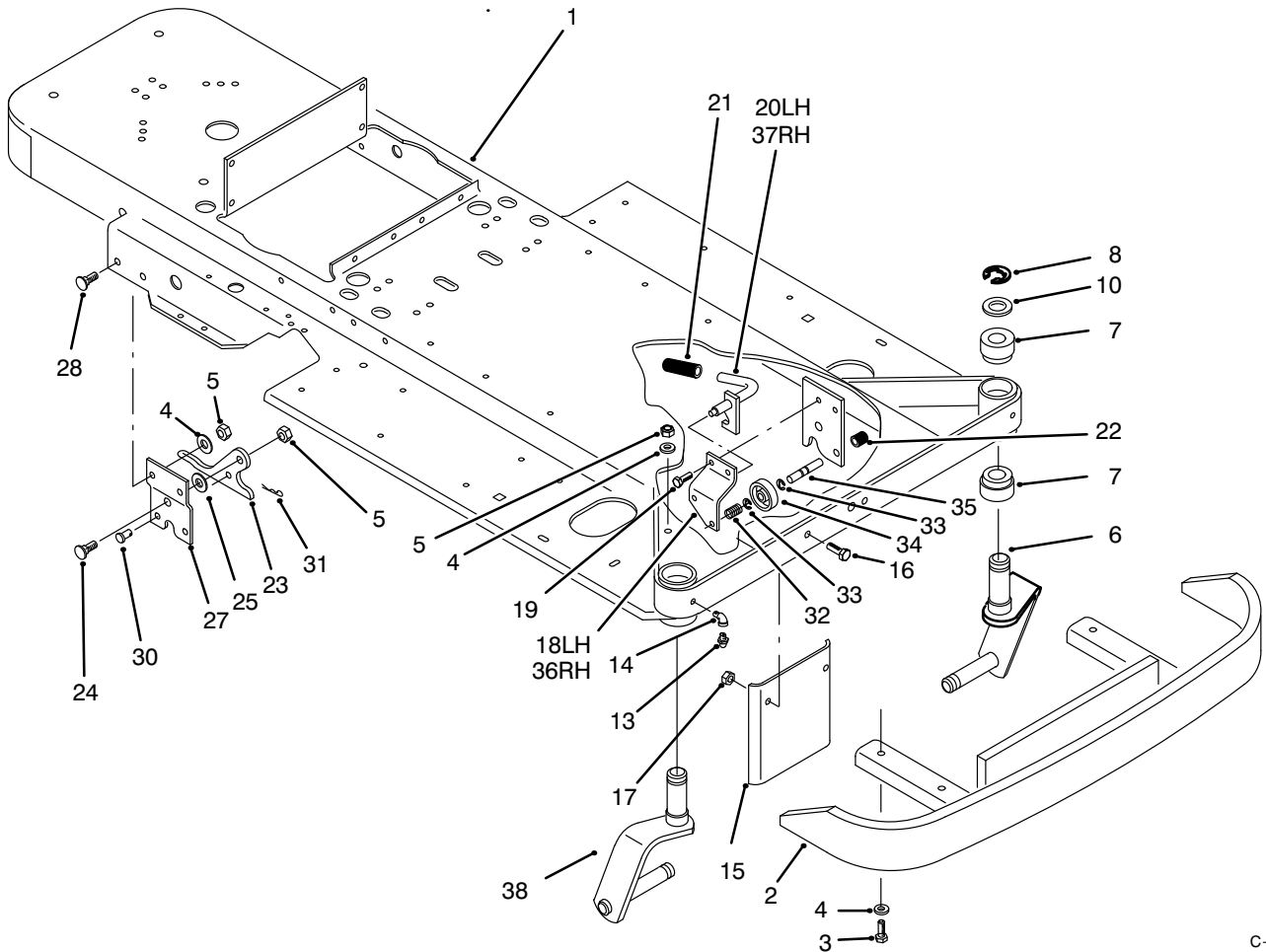




| | |
|--|--------------------------|
| MODEL NO. 74021-690001 & UP MODEL NO. 74101-690001 & UP | PARTS CATALOG |
| PROLINE 616Z & 620Z ZERO RADIUS TRACTORS | |



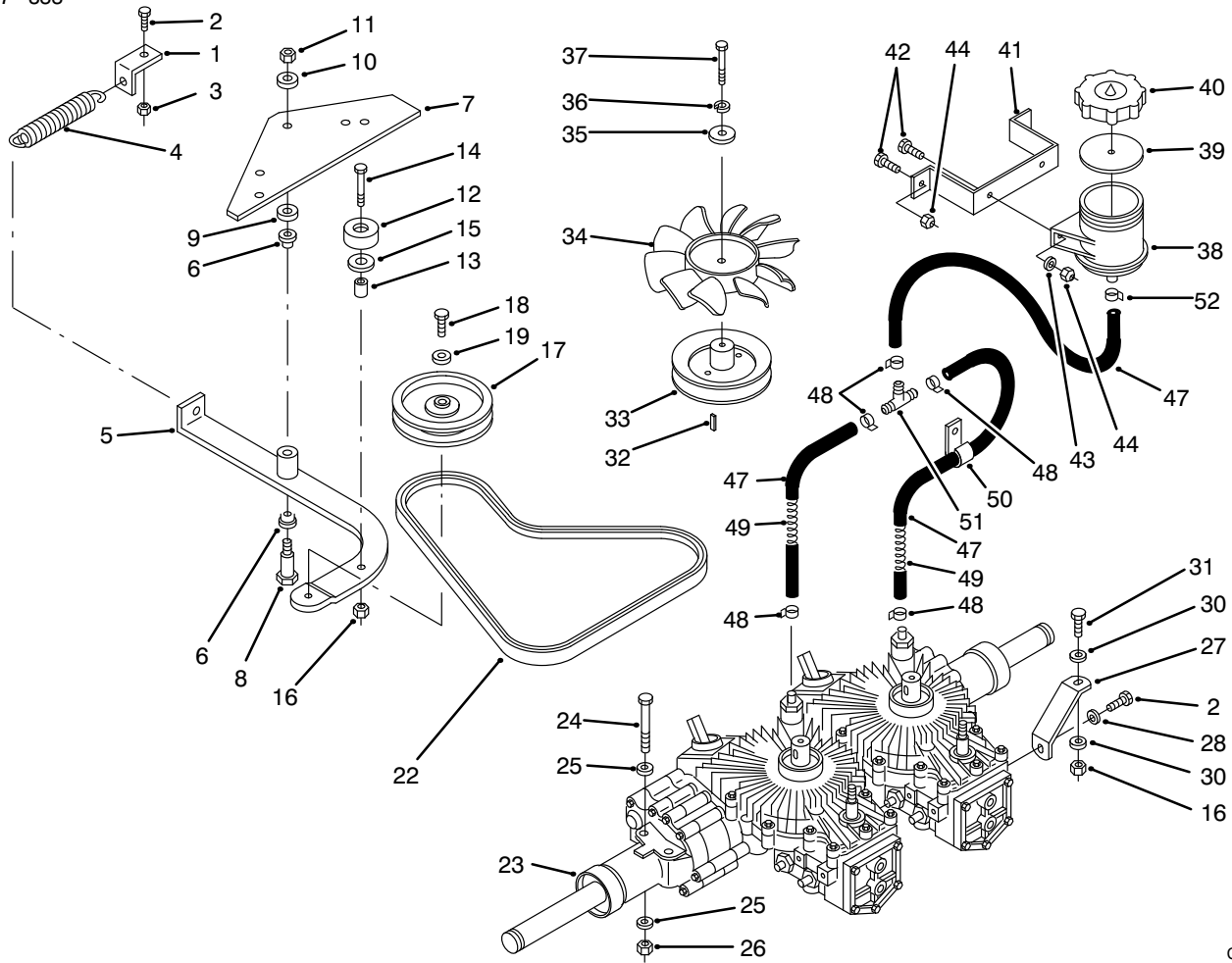
C-1244

FRAME & FRONT WHEEL FORK ASSEMBLY

| Ref. No. | Part No. | Description | No. Used |
|----------|----------|------------------------|----------|
| 1 | 92-1758 | Frame | 1 |
| 2 | 117455 | Bumper - Front | 1 |
| 3 | 323-6 | Screw - Hex. Hd. | 4 |
| 4 | 3256-24 | Washer | 12 |
| 5 | 3296-39 | Nut - Lock | 10 |
| 6 | 79-5990 | Fork - Front Wheel, LH | 1 |
| 7 | 92-1714 | Bushing - Flange | 4 |
| 8 | 32151-91 | Ring - Retaining | 2 |
| 10 | 9202514 | Washer | 2 |
| 13 | 302-2 | Fitting - Grease | 2 |
| 14 | 2811-7 | Elbow - Street | 2 |
| 15 | 121290 | Shield | 1 |
| 16 | 322-5 | Bolt | 2 |
| 17 | 3296-29 | Nut - Lock | 2 |
| 18 | 116331 | Bracket - LH | 1 |
| 19 | 32144-11 | Bolt | 4 |
| 20 | 116245 | Latch - LH | 1 |

| Ref. No. | Part No. | Description | No. Used |
|----------|----------|------------------------|----------|
| 21 | 9038 | Grip | 2 |
| 22 | 105316 | Cap - Plunger | 2 |
| 23 | 104657 | Plate | 2 |
| 24 | 3231-2 | Bolt - Carriage | 2 |
| 25 | 115123 | Washer | 2 |
| 27 | 79-5970 | Plate - Hitch | 2 |
| 28 | 3231-25 | Bolt - Carriage | 4 |
| 30 | 9321204 | Pin - Clevis | 2 |
| 31 | 9335044 | Pin - Cotter | 2 |
| 32 | 8616 | Spring - Compression | 2 |
| 33 | 105797 | Ring - Retaining | 4 |
| 34 | 101017 | Lock | 2 |
| 35 | 116244 | Rod - Lock | 2 |
| 36 | 116330 | Bracket - RH | 1 |
| 37 | 116246 | Latch - RH | 1 |
| 38 | 79-6000 | Fork - Front Wheel, RH | 1 |

*Not Illustrated

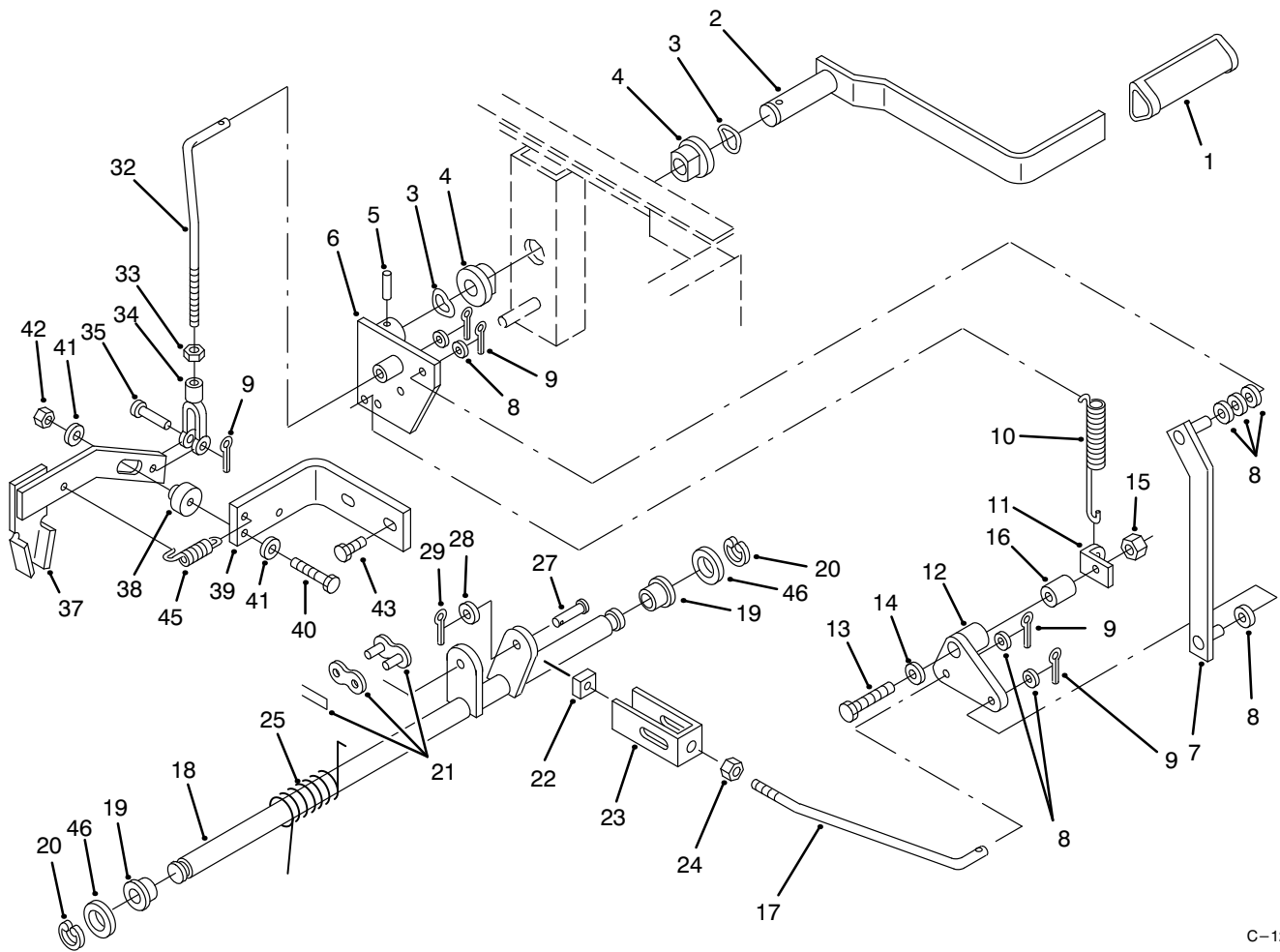


TRANSMISSION & DRIVE SYSTEM ASSEMBLY

| Ref. No. | Part No. | Description | No. Used |
|----------|----------|--------------------|----------|
| 1 | 116505 | Bracket | 1 |
| 2 | 322-3 | Bolt | 6 |
| 3 | 3296-29 | Nut - Lock | 3 |
| 4 | 116506 | Spring | 1 |
| 5 | 116721 | Arm - Idler | 1 |
| 6 | 6229 | Bearing | 2 |
| 7 | 116718 | Stiffener | 1 |
| 8 | 113165 | Bolt - Shoulder | 1 |
| 9 | 2844 | Washer | 1 |
| 10 | 3256-4 | Washer | 1 |
| 11 | 32146-2 | Nut - Lock | 1 |
| 12 | 108889 | Bumper | 1 |
| 13 | 116728 | Spacer | 1 |
| 14 | 322-10 | Bolt | 1 |
| 15 | 116531 | Washer | 1 |
| 16 | 116439 | Pulley - Idler | 1 |
| 16 | 3296-29 | Nut - Lock | 3 |
| 18 | 323-6 | Screw - Hex. Hd. | 1 |
| 19 | 3256-24 | Washer | 1 |
| 22 | 116527 | Belt - PTO | 1 |
| 23 | 79-2350 | Transaxle Assembly | 1 |
| 24 | 323-20 | Bolt | 4 |
| 25 | 3256-24 | Washer | 8 |
| 26 | 3296-39 | Nut - Lock | 4 |

| Ref. No. | Part No. | Description | No. Used |
|----------|----------|---|----------|
| 27 | 115274 | Bracket - Hydro Side | 2 |
| 28 | 9202674 | Washer - Special | 4 |
| 30 | 3256-23 | Washer | 4 |
| 31 | 322-5 | Bolt | 2 |
| 32 | 937086 | Key - Woodruff | 2 |
| 33 | 78-2760 | Pulley - Transmission | 2 |
| 34 | 115271 | Fan | 2 |
| 35 | 103995 | Washer | 2 |
| 36 | 3253-3 | Washer - Lock | 2 |
| 37 | 321-11 | Bolt | 2 |
| 38 | 79-3500 | Reservoir w/Gasket (Incl. Ref.# 39-40) | 2 |
| 39 | 114563 | Gasket | 2 |
| 40 | 79-1080 | Cover | 2 |
| 41 | 79-2330 | Bracket | 1 |
| 42 | 321-4 | Bolt | 4 |
| 43 | 3256-22 | Washer | 2 |
| 44 | 3296-42 | Nut - Lock | 4 |
| 47 | 79-2360 | Hose - 7" | 3 |
| 48 | 79-2380 | Clamp | 5 |
| 49 | 79-7500 | Spring - Hose | 3 |
| 50 | 79-2110 | Clamp - Hose | 1 |
| 51 | 79-2410 | Fitting - Tee | 1 |
| 52 | 2412-36 | Clamp - Hose | 1 |

*Not Illustrated

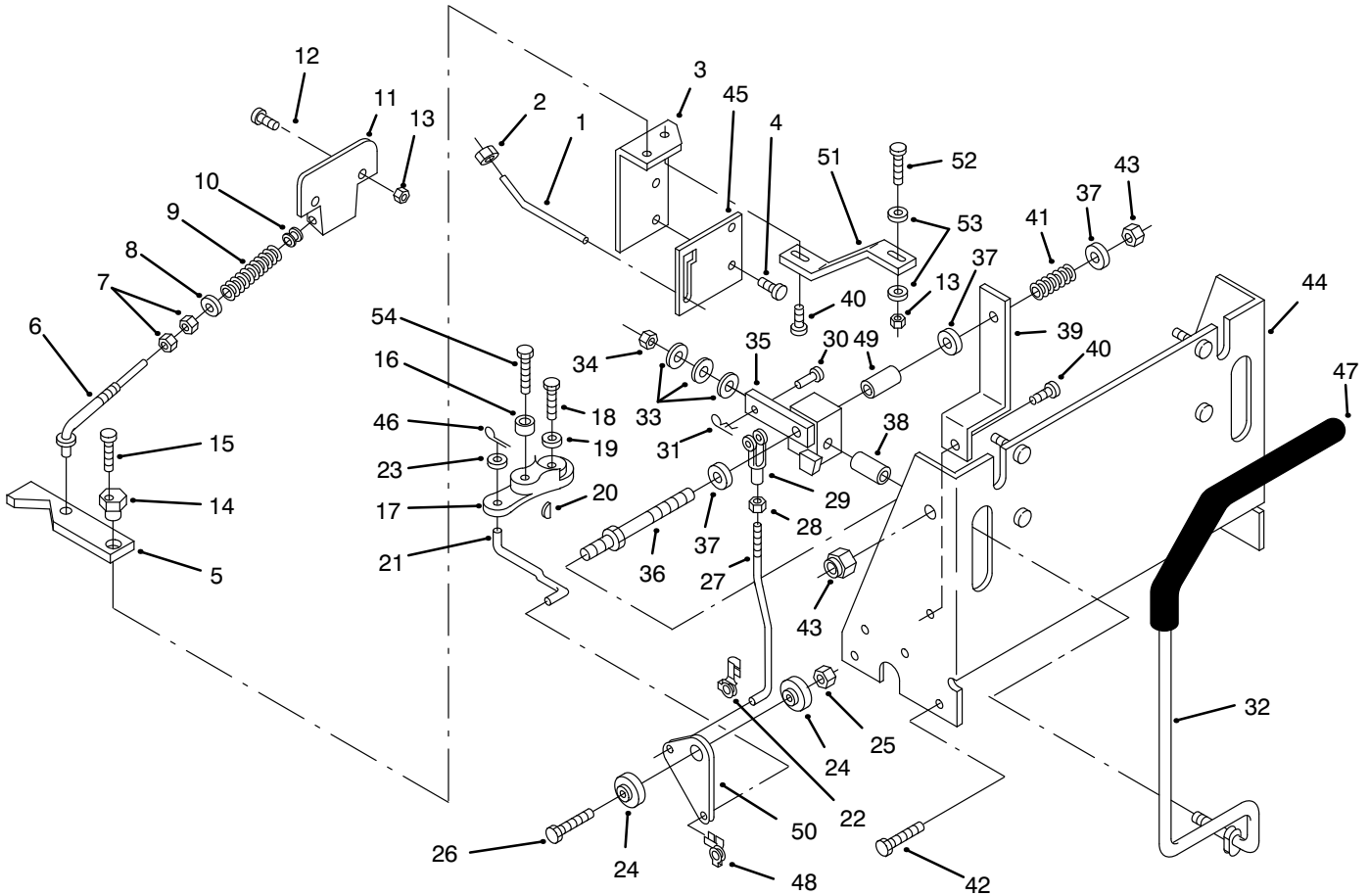


C-1248

PARKING BRAKE ASSEMBLY

| Ref. No. | Part No. | Description | No. Used |
|----------|----------|--------------------|----------|
| 1 | 116393 | Grip | 1 |
| 2 | 115725 | Lever - Brake | 1 |
| 3 | 7896 | Washer - Bowed | 2 |
| 4 | 109189 | Bearing - Flanged | 2 |
| 5 | 32121-93 | Pin - Roll | 1 |
| 6 | 116687 | Arm | 1 |
| 7 | 78-0390 | Rod - Upper Brake | 1 |
| 8 | 3256-23 | Washer | 7 |
| 9 | 3272-6 | Pin - Cotter | 6 |
| 10 | 110769 | Spring - Extension | 1 |
| 11 | 2534 | Clip - Spring | 1 |
| 12 | 115701 | Pivot | 1 |
| 13 | 323-11 | Bolt | 1 |
| 14 | 3256-24 | Washer | 1 |
| 15 | 3296-39 | Nut - Lock | 3 |
| 16 | 102025 | Spacer | 1 |
| 17 | 79-2310 | Rod - Lower | 1 |
| 18 | 79-2340 | Shaft - Brake | 1 |
| 19 | 106950 | Bushing | 2 |
| 20 | 32120-72 | Ring - Retaining | 2 |
| 21 | 2710-33 | Link - Brake | 1 |

| Ref. No. | Part No. | Description | No. Used |
|----------|----------|--------------------|----------|
| 22 | 9151834 | Nut - Square | 1 |
| 23 | 79-2320 | Yoke - Adjuster | 1 |
| 24 | 3217-6 | Nut - Jam | 1 |
| 25 | 79-1780 | Spring - Torsion | 1 |
| 27 | 932948 | Pin - Clevis | 1 |
| 28 | 3256-22 | Washer | 1 |
| 29 | 3272-2 | Pin - Cotter | 1 |
| 32 | 116476 | Rod - Neutral Lock | 1 |
| 33 | 3220-2 | Nut - Jam | 1 |
| 34 | 282-2 | Clevis | 1 |
| 35 | 9321214 | Pin - Clevis | 1 |
| 37 | 116267 | Lock - Neutral | 1 |
| 38 | 116264 | Spacer | 1 |
| 39 | 116258 | Bracket - Support | 1 |
| 40 | 321-10 | Bolt | 1 |
| 41 | 3256-2 | Washer | 2 |
| 42 | 3296-42 | Nut - Lock | 1 |
| 43 | 32144-11 | Screw | 2 |
| 45 | 116792 | Spring - Extension | 1 |
| 46 | 3256-39 | Washer | 2 |



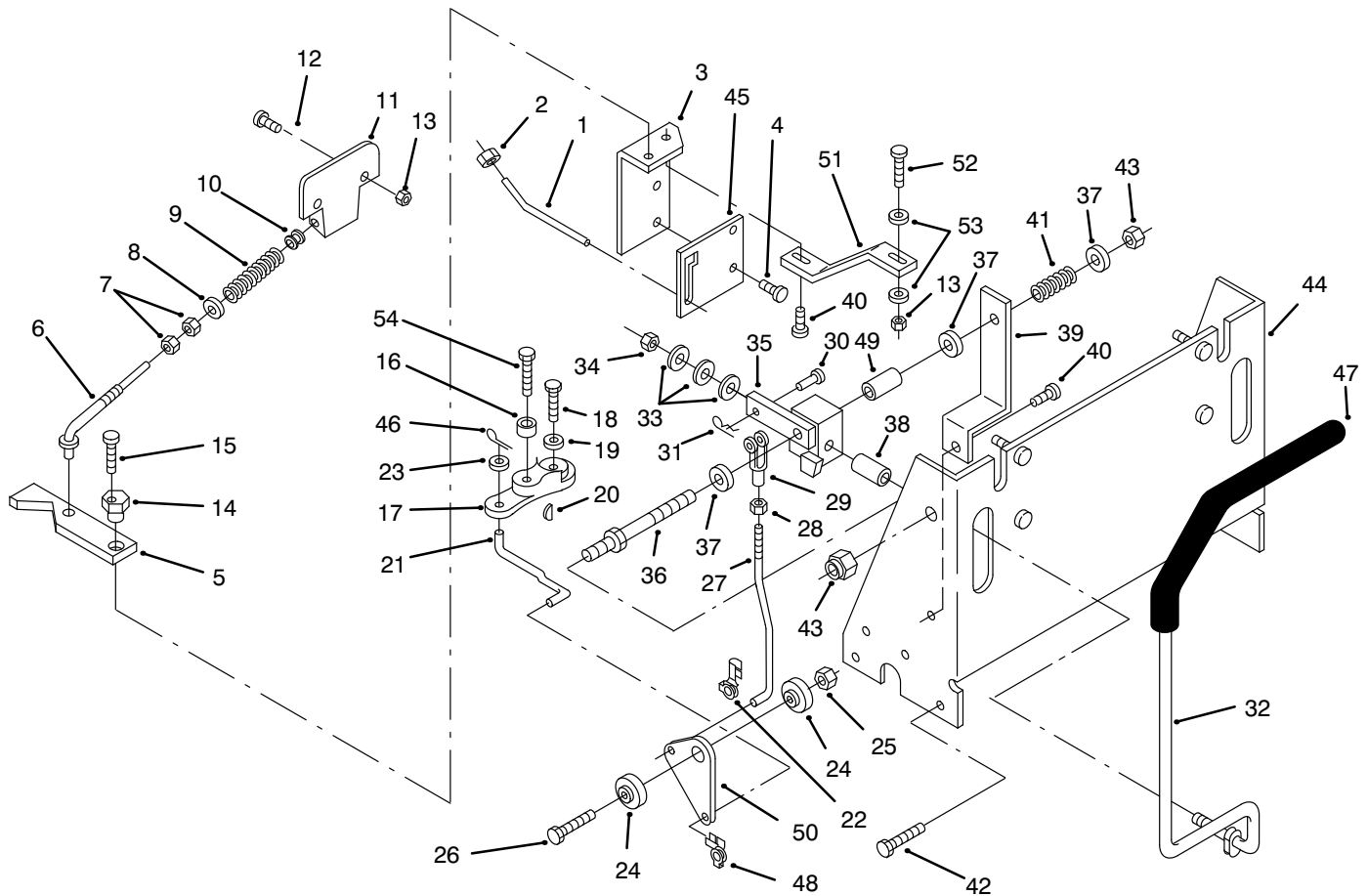
C-1246

TRANSMISSION CONTROLS ASSEMBLY

| Ref. No. | Part No. | Description | No. Used |
|----------|----------|----------------------|----------|
| 1 | 115272 | Lever – Tow Valve | 2 |
| 2 | 3296-42 | Nut – Lock | 2 |
| 3 | 116114 | Bracket – RH | 1 |
| * | 116113 | Bracket – LH | 1 |
| 4 | 32144-41 | Bolt | 4 |
| 5 | 116112 | Arm | 2 |
| 6 | 116727 | Rod – Neutral Return | 2 |
| 7 | 3218-3 | Nut – Lock | 4 |
| 8 | 3256-24 | Washer | 2 |
| 9 | 112113 | Spring | 2 |
| 10 | 5977 | Bushing – Nylon | 2 |
| 11 | 116196 | Bracket | 1 |
| 12 | 3274-53 | Bolt – Soc. Hd. | 2 |
| 13 | 3296-47 | Nut – Lock | 2 |
| 14 | 106661 | Cam | 2 |
| 15 | 9266984 | Bolt | 2 |
| 16 | 105474 | Spacer | 2 |
| 17 | 79-1440 | Arm – Control, RH | 1 |
| * | 79-1450 | Arm – Control, LH | 1 |
| 18 | 9080066 | Bolt | 2 |
| 19 | 3256-2 | Washer | 2 |
| 20 | 937082 | Key – Woodruff | 2 |
| 21 | 115298 | Link – RH | 1 |
| * | 115299 | Link – LH | 1 |
| 22 | 115301 | Clip – Clevis | 2 |
| 23 | 3256-22 | Washer | 2 |
| 24 | 103409 | Spacer | 4 |

| Ref. No. | Part No. | Description | No. Used |
|----------|----------|-----------------------|----------|
| 25 | 3296-39 | Nut – Lock | 2 |
| 26 | 323-10 | Bolt | 2 |
| 27 | 115296 | Rod – Control | 2 |
| 28 | 3220-1 | Nut – Jam | 2 |
| 29 | 103509 | Yoke | 2 |
| 30 | 9321204 | Pin – Clevis | 2 |
| 31 | 9335034 | Pin – Cotter | 2 |
| 32 | 116732 | Lever – Steering, RH | 1 |
| * | 116731 | Lever – Steering, LH | 1 |
| 33 | 113689 | Washer – Spring | 6 |
| 34 | 3218-5 | Nut – Lock | 2 |
| 35 | 115292 | Pivot – Lever, RH | 1 |
| * | 115291 | Pivot – Lever, LH | 1 |
| 36 | 116259 | Shaft – Pivot | 2 |
| 37 | 3256-26 | Washer | 6 |
| 38 | 113675 | Bushing – Pivot | 2 |
| 39 | 116239 | Bracket – Retainer | 2 |
| 40 | 32144-11 | Bolt – Thread Forming | 4 |
| 41 | 113632 | Spring – Speed Lever | 2 |
| 42 | 9267154 | Screw | 4 |
| 43 | 3296-23 | Nut – Lock | 4 |
| 44 | 117670 | Support – Lever | 1 |
| 45 | 115273 | Plate – Tow Valve | 2 |
| 46 | 3272-6 | Pin – Cotter | 2 |
| 47 | 92-6519 | Grip | 2 |

*Not Illustrated



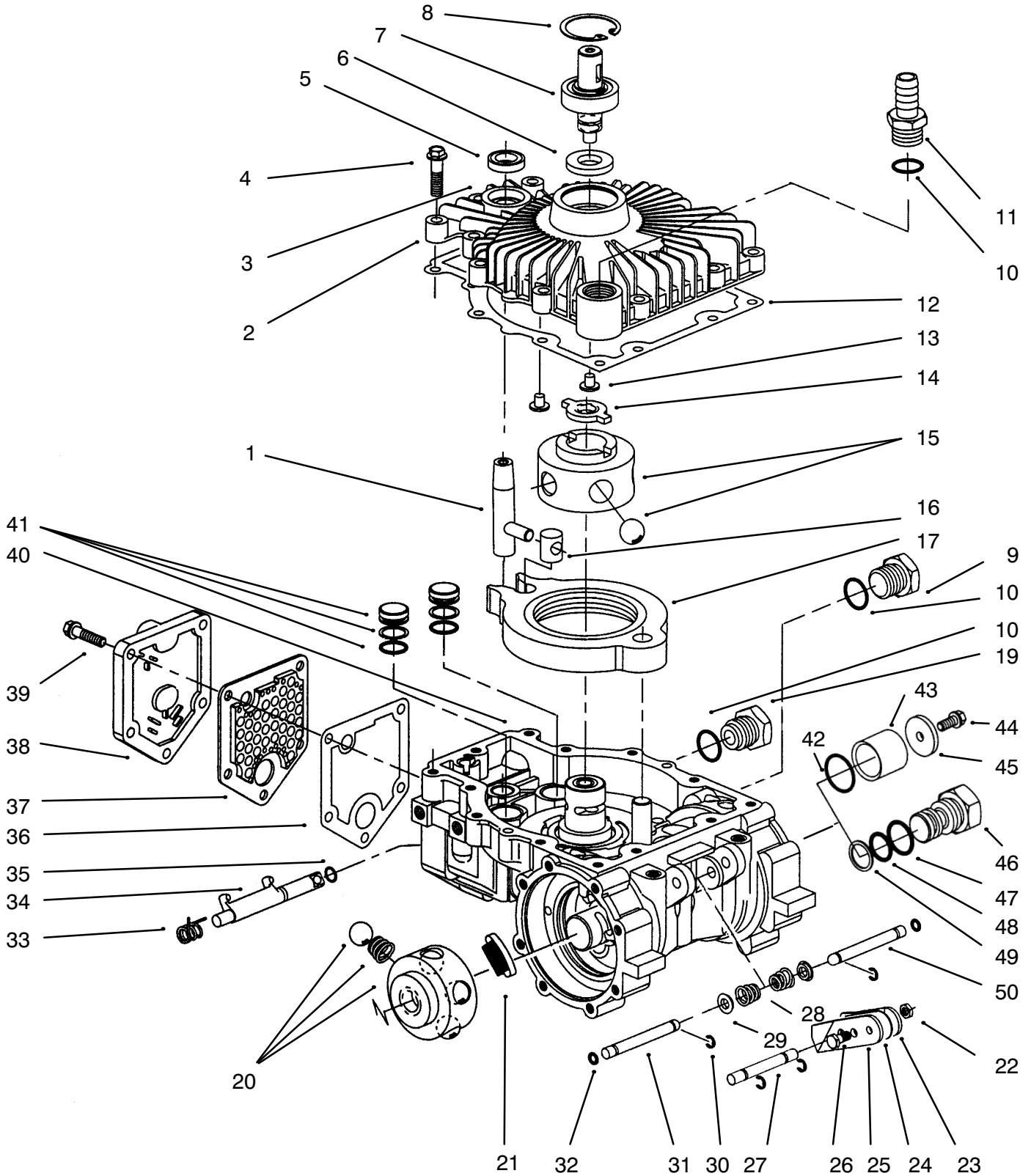
C-1246

TRANSMISSION CONTROLS ASSEMBLY (Continued)

| Ref. No. | Part No. | Description | No. Used | Ref. No. | Part No. | Description | No. Used |
|----------|----------|-------------------|----------|----------|----------|------------------|----------|
| 48 | 115300 | Clip – Clevis, RH | 1 | 51 | 116263 | Bracket – Side | 2 |
| * | 115301 | Clip – Clevis, LH | 1 | 52 | 322-3 | Bolt | 2 |
| 49 | 115295 | Bushing | 2 | 53 | 3256-23 | Washer | 4 |
| 50 | 115297 | Plate | 2 | 54 | 323-6 | Screw – Hex. Hd. | 2 |

*Not Illustrated

TRANSMISSION EATON MODEL 781-016

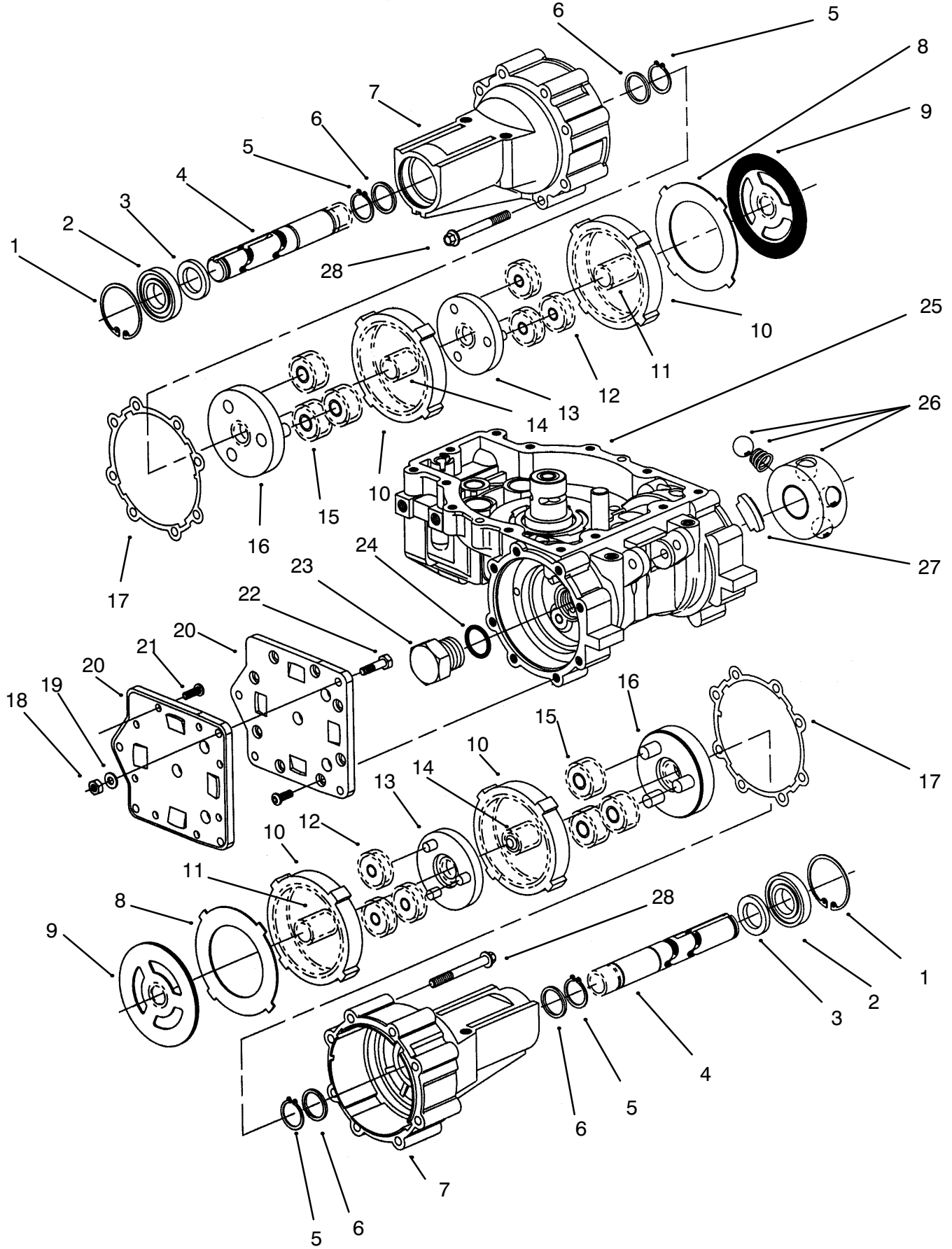


TRANSMISSION ASSEMBLY EATON MODEL 781-016

| Ref. No. | Part No. | Description | No. Used | Ref. No. | Part No. | Description | No. Used |
|----------|----------|--|----------|----------|----------|----------------------|----------|
| 1 | 88-2930 | Shaft - Control | 2 | 25 | 88-2390 | Lever - Brake, L.H. | 1 |
| 2 | 88-2210 | Cover Assembly (Incl. Ref.# 3, 5-8) | 2 | 26 | 88-2400 | Screw - Hex. Hd. | 1 |
| 3 | 88-2220 | Cover | 2 | 27 | 88-2410 | Shaft - Brake | 1 |
| 4 | 88-2230 | Screw | 26 | 28 | 88-2420 | Spring - Conical, | 4 |
| 5 | 112605 | Seal - Control Shaft | 2 | 29 | 88-2430 | Base - Spring | 2 |
| 6 | 112604 | Seal - Input Shaft | 2 | 30 | 88-2440 | Ring - Retaining | 6 |
| 7 | 88-2240 | Shaft - Input | 1 | 31 | 88-2450 | Rod - Push | 2 |
| 8 | 112600 | Ring - Retaining | 2 | 32 | 88-2460 | Seal - Quad | 2 |
| 9 | 88-2250 | Plug Assembly (Incl. Ref. #10) | 2 | 33 | 88-2470 | Spring - Dump Valve | 2 |
| 10 | 88-2260 | Seal - "O"Ring | 6 | 34 | 88-2480 | Bracket - Dump Valve | 2 |
| 11 | 88-2270 | Fitting 90° | 2 | 35 | 88-2490 | "O"Ring - Seal | 2 |
| 12 | 88-2280 | Gasket - Cover | 4 | 36 | 88-2500 | Gasket - Filter | 1 |
| 13 | 112595 | Button | 2 | 37 | 88-2510 | Filter | 2 |
| 14 | 88-2290 | Drive - Roto Ball | 2 | 38 | 88-2520 | Cover - Valve | 2 |
| 15 | 88-2300 | Pump Assembly, Rotor Ball | 2 | 39 | 88-2530 | Screw - Hex. Hd. | 11 |
| 16 | 88-2310 | Insert | 2 | 40 | 88-2940 | Housing | 2 |
| 17 | 88-2320 | Ring Assembly - Cam | 2 | 41 | 88-2950 | Piston Assembly | 4 |
| 19 | 88-2340 | Nut - Assembly | 2 | 42 | 88-2960 | Seal - "O"Ring | 1 |
| 20 | 88-2340 | Motor Assembly Rotor Ball | 4 | 43 | 88-2970 | Seal - Cup | 1 |
| 21 | 88-2350 | Pad - Friction | 4 | 45 | 88-2980 | Washer | 1 |
| 22 | 88-2360 | Nut - Lock | 1 | 46 | 88-2990 | Plug | 1 |
| 23 | 88-2370 | Lever - Brake, R.H. | 1 | 47 | 88-3000 | "O"Ring - Seal | 1 |
| 24 | 88-2380 | Shim - .020 | A/R | 48 | 88-3010 | "O"Ring - Seal | 1 |
| * | 88-1340 | Shim - .020 | A/R | 49 | 88-3020 | Ring - Backup | 1 |
| | | | | 50 | 88-3030 | Rod - Push | 1 |

*Not Illustrated

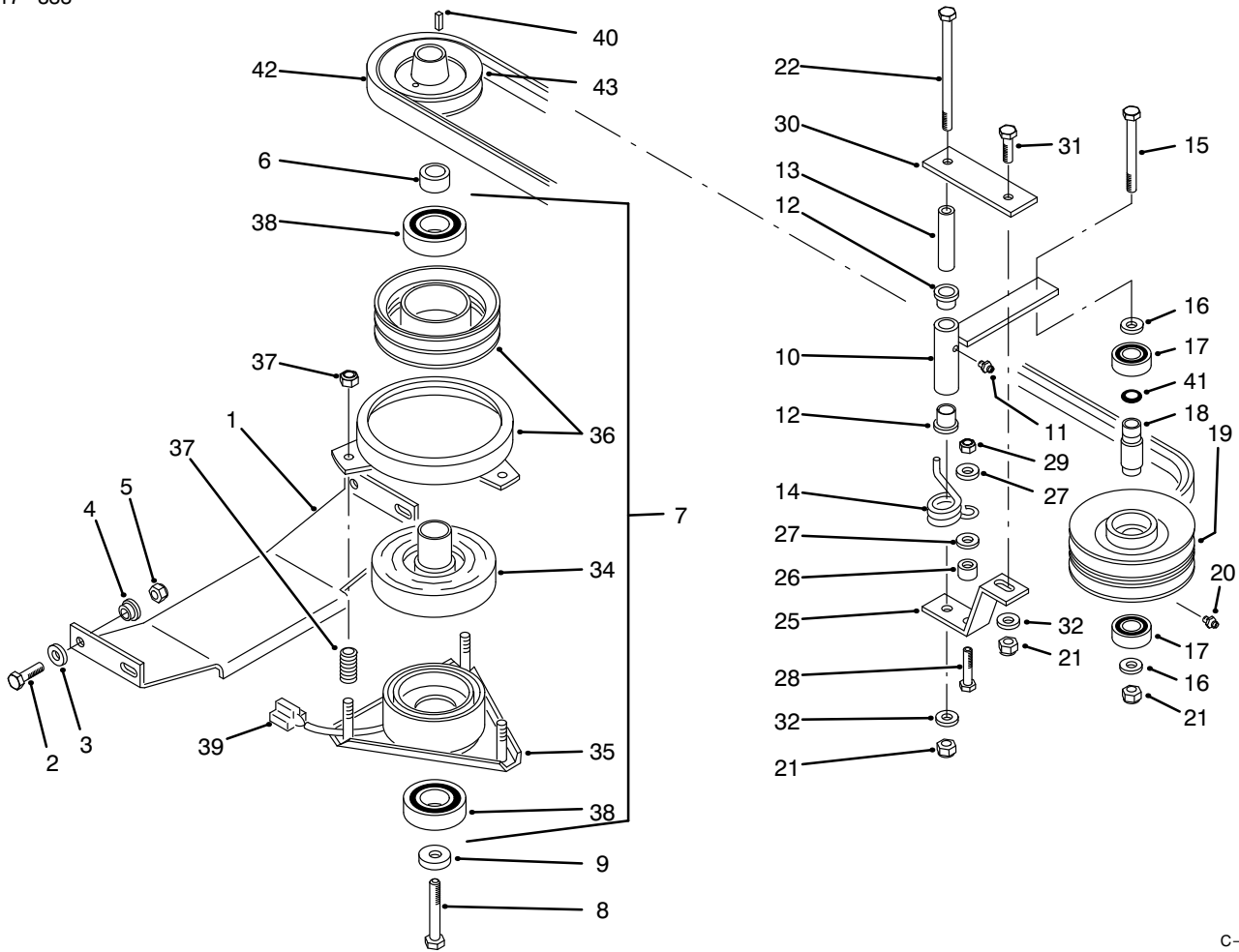
TRANSMISSION ASSEMBLY EATON MODEL 781-016 (Continued)



TRANSMISSION ASSEMBLY EATON MODEL 781-016 (Continued)

| Ref. No. | Part No. | Description | No. Used | Ref. No. | Part No. | Description | No. Used |
|----------|----------|--|----------|----------|----------|---------------------------|----------|
| 1 | 88-2560 | Ring - Retaining | 2 | 15 | 88-2820 | Gear - Second 21 Tooth | 6 |
| 2 | 88-2570 | Bearing - Ball | 2 | 16 | 88-2810 | Gear - Second 15 Tooth | 6 |
| 3 | 88-2580 | Seal - Radial Lip | 2 | 17 | 88-2640 | Gasket - Axle Housing | 2 |
| 4 | 88-2590 | Shaft - Axle | 2 | 18 | 88-3070 | Nut | 4 |
| 5 | 88-2600 | Ring - Retaining | 4 | 19 | 88-3080 | Washer - Lock | 4 |
| 6 | 88-2610 | Washer - Thrust | 4 | 20 | 88-3090 | Flange | 2 |
| 7 | 88-2620 | Housing - Axle | 2 | 21 | 88-3100 | Screw | 16 |
| * | 88-3050 | Axle Housing Assembly (Incl. Ref.# 1-7) | 1 | 22 | 88-3110 | Screw | 4 |
| 8 | 88-2660 | Plate - Backup | 2 | 23 | 88-3120 | Plug | 1 |
| 9 | 88-3060 | Plate - Reaction | 2 | 24 | 88-3000 | "O"Ring | 1 |
| 10 | 88-2670 | Gear - Ring, 57 Tooth | 4 | 25 | 88-3130 | Housing Assembly | 1 |
| 11 | 88-2680 | Gear - First, 15 Tooth | 2 | * | 88-3150 | Transmission 1/2 L.H. | 1 |
| 12 | 88-2800 | Carrier Primary | 2 | * | 88-3160 | Transmission 1/2 R.H. | 1 |
| 13 | 88-2690 | Gear - Planet First 21 Tooth | 6 | 26 | | Motor Assembly | |
| 14 | 88-2810 | Gear - Second 15 Tooth | 2 | 27 | | Pad Assembly | |
| | | | | 28 | 88-2840 | Screw | 16 |

*Not Illustrated

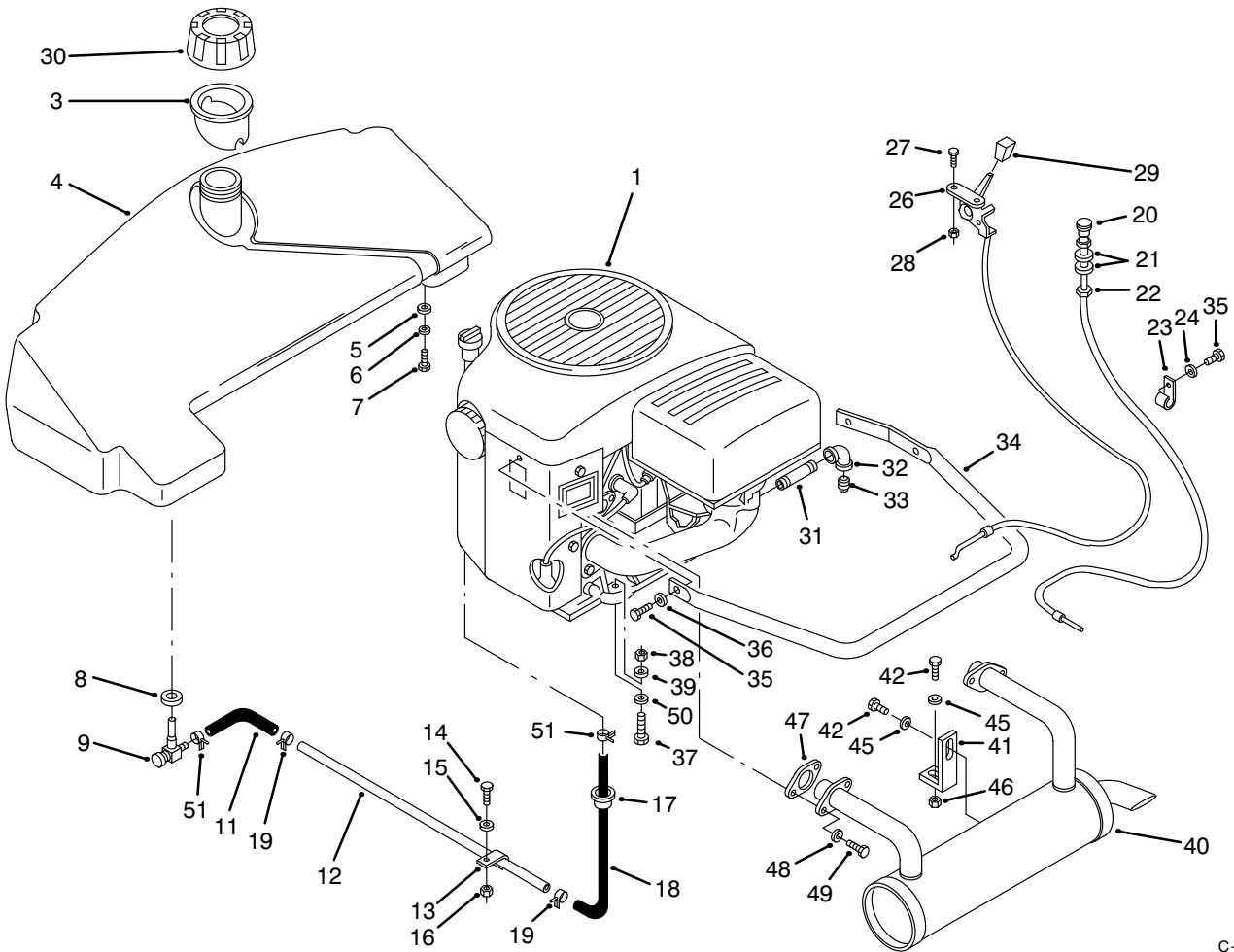


C-1241

PTO ELECTRIC CLUTCH & DRIVE ASSEMBLY

| Ref. No. | Part No. | Description | No. Used |
|----------|----------|--|----------|
| 1 | 116422 | Bracket | 1 |
| 2 | 322-4 | Bolt | 4 |
| 3 | 3256-23 | Washer | 4 |
| 4 | 105503 | Bushing | 2 |
| 5 | 3296-29 | Nut - Lock | 4 |
| 6 | 115335 | Spacer | 1 |
| 7 | 116277 | Electric Clutch Assembly (Incl. Ref. # 34-39) | 1 |
| 8 | 3212-11 | Bolt | 1 |
| 9 | 112843 | Washer | 1 |
| 10 | 115437 | Arm - Idler | 1 |
| 11 | 111420 | Fitting - Grease | 1 |
| 12 | 109859 | Bushing | 2 |
| 13 | 109950 | Spacer | 1 |
| 14 | 108177 | Spring - Torsion | 1 |
| 15 | 323-15 | Bolt | 1 |
| 16 | 9202414 | Washer - Spacer | 2 |
| 17 | 109966 | Bearing | 2 |
| 18 | 115682 | Spacer - Idler | 1 |
| 19 | 116184 | Pulley | 1 |
| 20 | 302-5 | Fitting - Grease | 1 |
| 21 | 3296-39 | Nut - Lock | 1 |
| 22 | 323-16 | Bolt | 1 |

| Ref. No. | Part No. | Description | No. Used |
|----------|----------|--|----------|
| 25 | 115440 | Bracket - Idler | 1 |
| 26 | 100304 | Spacer | 1 |
| 27 | 3256-3 | Washer | 2 |
| 28 | 322-7 | Bolt | 1 |
| 29 | 3296-29 | Nut - Lock | 1 |
| 30 | 116253 | Plate | 1 |
| 31 | 323-7 | Bolt | 1 |
| 32 | 3256-24 | Washer | 2 |
| 34 | 117194 | Rotor | 1 |
| 35 | 117193 | Field Assembly (Incl. Ref. #38 & 39) | 1 |
| 36 | 117195 | Armature Assembly (Incl. Ref. #38) | 1 |
| * | 93-9817 | Rotor & Armature Assembly (Incl. Ref. #34 & 36) | 1 |
| 37 | 113823 | Kit - Springs and Nuts | 1 |
| 38 | 114064 | Bearing | 2 |
| 39 | 110459 | Connector | 1 |
| 40 | 105453 | Key | 1 |
| 41 | 971015 | "O"Ring | 1 |
| 42 | 116183 | "V" Belt | 1 |
| 43 | 119270 | Pulley - Engine | 1 |

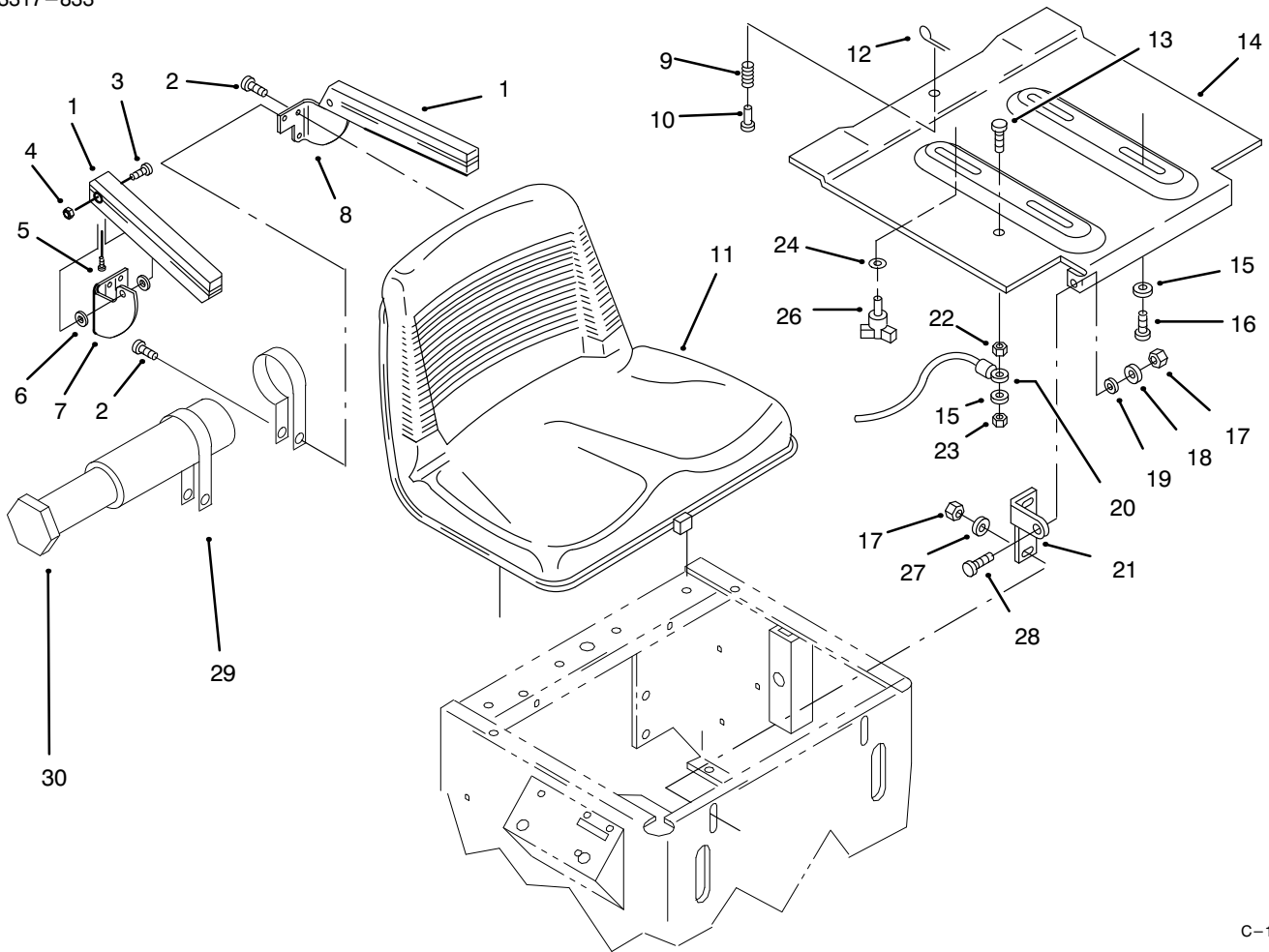


C-1250

ENGINE & FUEL SYSTEM ASSEMBLY

| Ref. No. | Part No. | Description | No. Used | Ref. No. | Part No. | Description | No. Used |
|----------|----------|--|----------|----------|----------|---------------------|----------|
| 1 | 79-5230 | Engine - 16HP Model P216V - I/11103-D | 1 | 24 | 3256-22 | Washer - Lock | 2 |
| * | 94-1813 | Engine - 20HP Model P220V - I/11104-G | 1 | 26 | 78-2790 | Control - Throttle | 1 |
| 3 | 115741 | Funnel - Tank | 1 | 27 | 32105-23 | Screw | 2 |
| 4 | 116363 | Fuel Tank Assembly (Incl. Ref. #8-9) | 1 | 28 | 3296-2 | Nut - Lock | 2 |
| 5 | 3256-3 | Washer | 4 | 29 | 116454 | Knob | 1 |
| 6 | 3253-4 | Washer - Lock | 4 | 30 | 55-3570 | Cap - Tank | 1 |
| 7 | 322-2 | Bolt | 4 | 31 | 116159 | Nipple | 1 |
| 8 | 104047 | Bushing | 1 | 32 | 114764 | Elbow | 1 |
| 9 | 104048 | Valve Assy - Fuel | 1 | 33 | 943420 | Plug - Pipe | 1 |
| 11 | 47-2966 | Hose 5" | 1 | 34 | 116708 | Guard - Air Cleaner | 1 |
| 12 | 115780 | Tube - Fuel | 1 | 35 | 321-3 | Bolt | 3 |
| 13 | 111392 | "J" Clip | 3 | 36 | 3253-3 | Washer - Lock | 3 |
| 14 | 322-3 | Bolt | 3 | 37 | 322-7 | Bolt | 4 |
| 15 | 3256-23 | Washer | 3 | 38 | 3296-29 | Nut - Lock | 4 |
| 16 | 3296-29 | Nut - Lock | 3 | 39 | 3256-23 | Washer | 3 |
| 17 | 938031 | Bushing | 2 | 40 | 116030 | Muffler | 1 |
| 18 | 47-2968 | Hose - 18" Fuel | 1 | 41 | 116029 | Bracket - Muffler | 1 |
| 19 | 2412-95 | Clamp - Hose | 2 | 42 | 322-2 | Bolt | 2 |
| 20 | 116289 | Control - Choke | 1 | 45 | 3256-23 | Washer | 2 |
| 21 | 3256-46 | Washer | 2 | 46 | 3296-29 | Nut - Lock | 1 |
| 22 | 109530 | Nut - Pal | 1 | 47 | 57-9210 | Gasket - Exhaust | 2 |
| 23 | 8830 | Clip | 2 | 48 | 3253-4 | Washer - Lock | 4 |
| | | | | 49 | 3274-10 | Bolt | 4 |
| | | | | 50 | 116531 | Washer | 2 |
| | | | | 51 | 2412-98 | Clamp - Hose | 2 |

*Not Illustrated



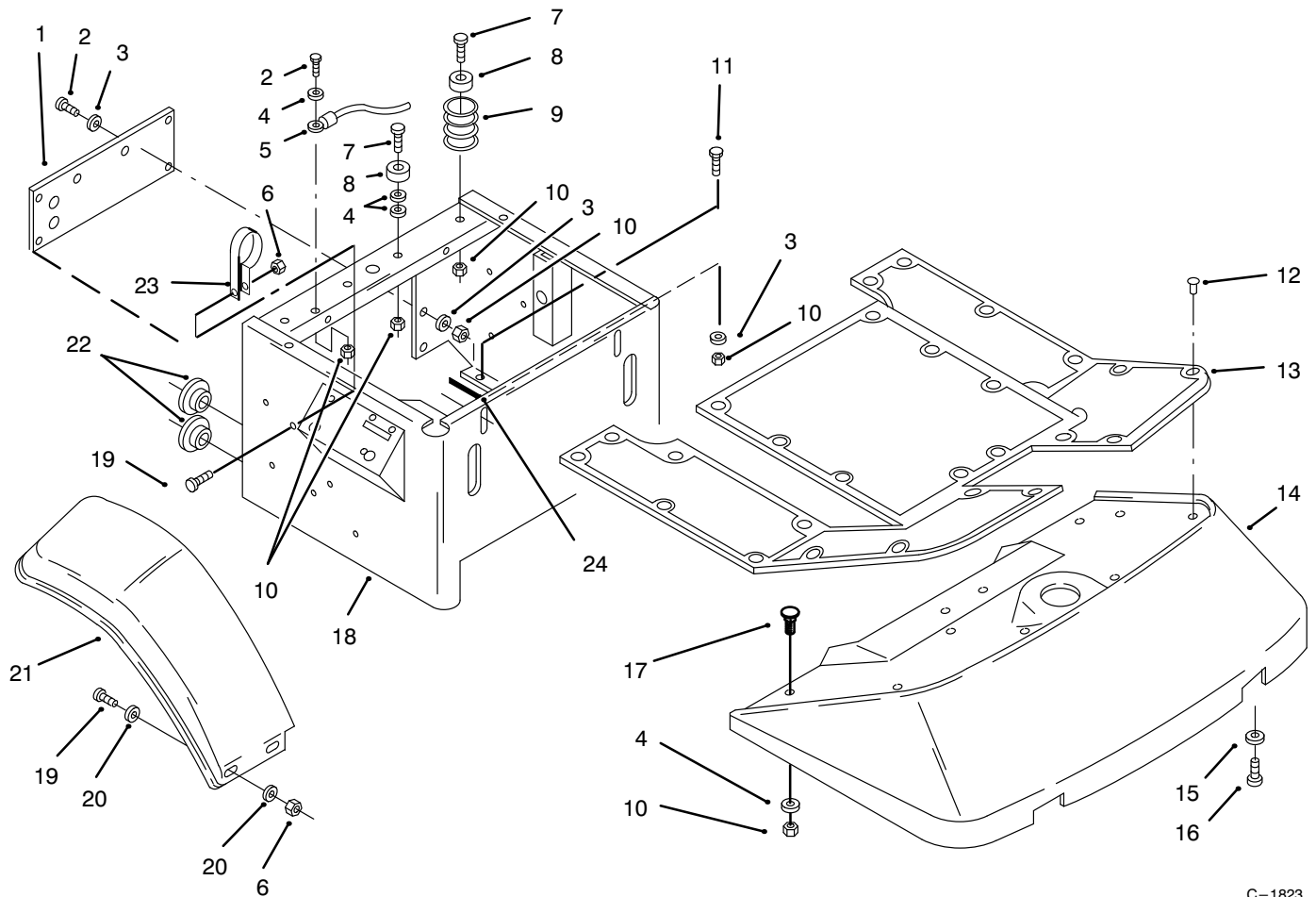
C-1822

SEAT ASSEMBLY

| Ref. No. | Part No. | Description | No. Used |
|----------|----------|-----------------------------|----------|
| 1 | 92-0988 | Armrest | 2 |
| 2 | 92-0992 | Screw | 6 |
| 3 | 92-0989 | Screw | 2 |
| 4 | 92-0991 | Nut - Lock Acorn | 2 |
| 5 | 92-0990 | Screw | 2 |
| 6 | 92-0993 | Spacer | 4 |
| 7 | 92-0987 | Bracket - R.H. Arm | 1 |
| 8 | 92-0986 | Bracket - L.H. Arm | 1 |
| 9 | 116195 | Spring | 1 |
| 10 | 106449 | Pin | 1 |
| 11 | 88-3220 | Seat 620-Z (Incl. Ref.#1-8) | 1 |
| * | 88-3210 | Seat 616-Z | 1 |
| 12 | 3272-6 | Pin - Cotter | 1 |
| 13 | 322-5 | Bolt | 1 |
| 14 | 116504 | Plate - Pivot | 1 |
| 15 | 3256-3 | Washer | 2 |

| Ref. No. | Part No. | Description | No. Used |
|----------|----------|----------------------------|----------|
| 16 | 108686 | Bolt | 2 |
| 17 | 3296-39 | Nut - Lock | 2 |
| 18 | 3256-24 | Washer | 2 |
| 19 | 104525 | Spacer | 2 |
| 20 | 115850 | Cable - Seat | 1 |
| 21 | 116572 | Bracket - Seat Pivot, R.H. | 1 |
| * | 116573 | Bracket - Seat Pivot, L.H. | 1 |
| 22 | 3217-6 | Nut | 1 |
| 23 | 3296-29 | Nut - Lock | 1 |
| 24 | 78-2740 | Washer - Lock | 2 |
| 26 | 116819 | Knob | 2 |
| 27 | 3256-4 | Washer | 4 |
| 28 | 3231-25 | Bolt - Carriage | 2 |
| 29 | 2412-133 | Clamp - Tube | 2 |
| 30 | 74-0720 | Tube - Manual | 1 |

*Not Illustrated



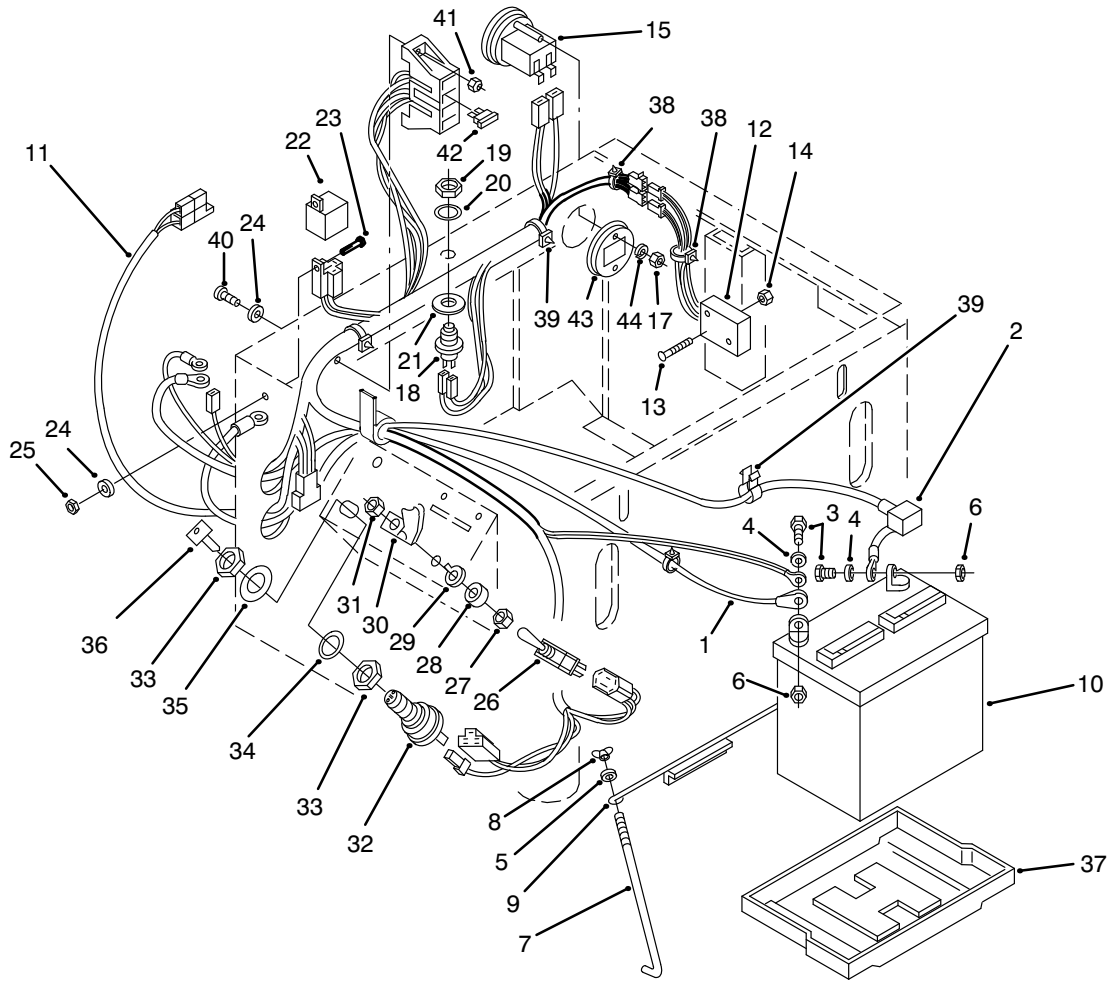
C-1823

FENDERS & FLOOR PAN ASSEMBLY

| Ref. No. | Part No. | Description | No. Used |
|----------|----------|------------------------|----------|
| 1 | 79-2290 | Cover | 1 |
| 2 | 322-3 | Bolt | 9 |
| 3 | 3256-23 | Washer | 10 |
| 4 | 3256-3 | Washer | 4 |
| 5 | | Cable - Seat (Ref.) | |
| 6 | 3296-42 | Nut - Lock | 13 |
| 7 | 322-5 | Bolt | 5 |
| 8 | 108889 | Bumper | 4 |
| 9 | 114496 | Spring - 620-Z (Black) | 2 |
| * | 114497 | Spring - 616-Z (Red) | 2 |
| 10 | 3296-29 | Nut - Lock | 16 |
| 11 | 3234-5 | Screw | 6 |
| 12 | 116456 | Rivet - Carpet Plastic | 28 |

| Ref. No. | Part No. | Description | No. Used |
|----------|----------|-----------------|----------|
| 13 | 116455 | Mat - Black | 1 |
| 14 | 118940 | Pan - Floor | 1 |
| 15 | 3253-4 | Washer | 4 |
| 16 | 32144-11 | Bolt | 4 |
| 17 | 3230-1 | Bolt - Carriage | 2 |
| 18 | 79-5960 | Support - Seat | 1 |
| 19 | 321-4 | Bolt | 13 |
| 20 | 3256-22 | Washer | 24 |
| 21 | 116064 | Fender - RH | 1 |
| * | 116065 | Fender - LH | 1 |
| 22 | 938037 | Bushing | 2 |
| 23 | 2412-104 | Clamp | 1 |
| 24 | 115200 | Edge Trim | 1 |

*Not Illustrated



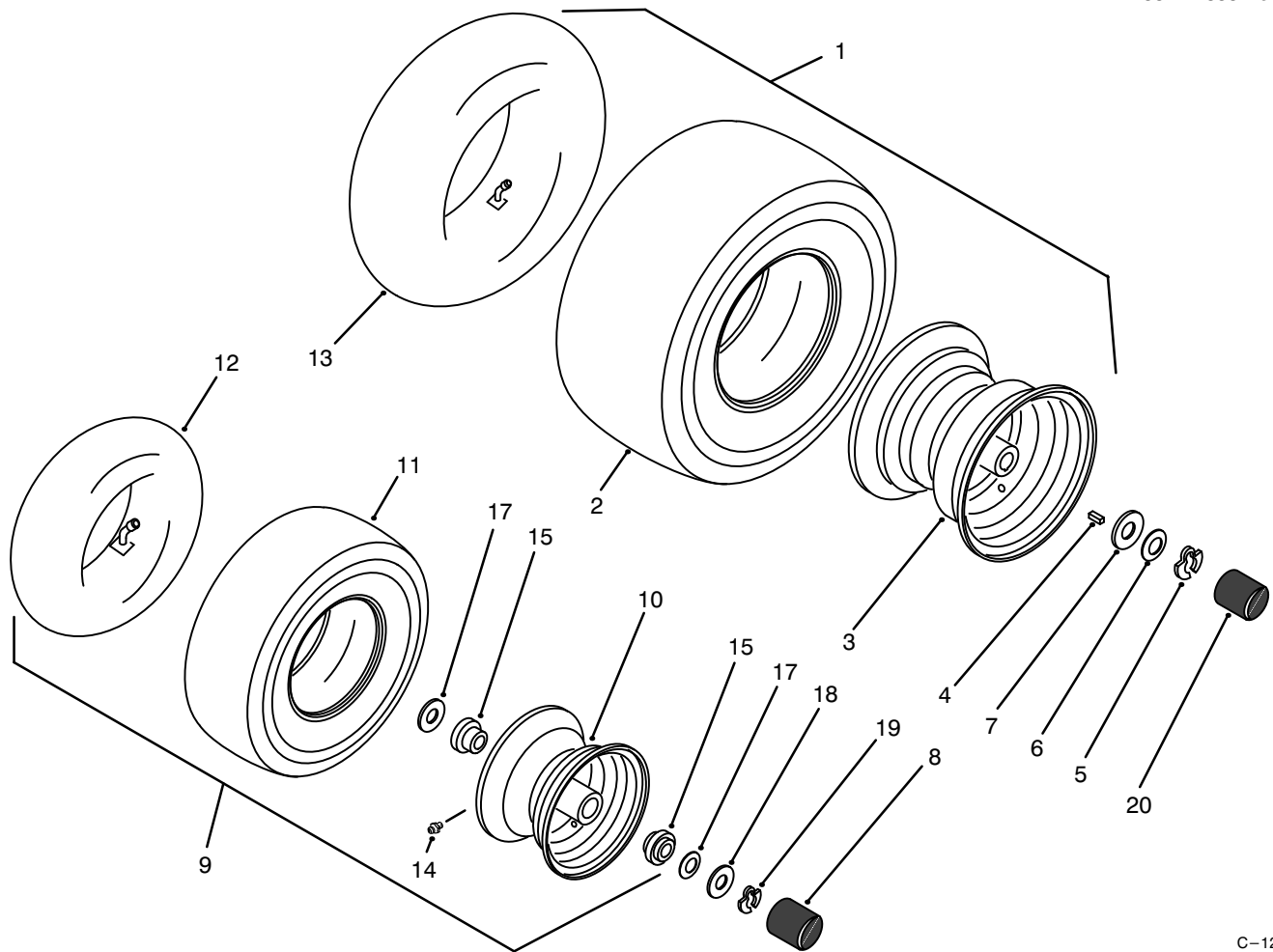
C-1251

ELECTRICAL SYSTEM ASSEMBLY

| Ref. No. | Part No. | Description | No. Used |
|----------|----------|--|----------|
| 1 | 111075 | Cable | 2 |
| 2 | 109553 | Boot | 1 |
| 3 | 321-4 | Bolt | 2 |
| 4 | 104869 | Washer - Flat | 2 |
| 5 | 3256-22 | Washer | 2 |
| 6 | 3296-42 | Nut - Lock | 2 |
| 7 | 113969 | Hook | 2 |
| 8 | 32103-22 | Nut - Wing | 2 |
| 9 | 113010 | Down - Hold | 1 |
| 10 | 115877 | Battery - 280 CCA | 1 |
| 11 | 78-5840 | Harness - Wiring | 1 |
| 12 | 116237 | Switch - Neutral | 1 |
| 13 | 3250-23 | Screw - Machine | 2 |
| 14 | 3296-29 | Nut - Lock | 2 |
| 15 | 78-0020 | Hourmeter - Assembly Incl. Ref. #17, 43 & 44) | 1 |
| 17 | 3217-27 | Nut - Hex. | 2 |
| 18 | 116194 | Switch - Seat | 1 |
| 19 | 116238 | Nut | 1 |
| 20 | 920160 | Washer - Lock | 1 |
| 21 | 3256-27 | Washer | 1 |
| 22 | 116397 | Relay | 1 |
| 23 | 32105-2 | Screw | 1 |

| Ref. No. | Part No. | Description | No. Used |
|----------|----------|--------------------|----------|
| 24 | 3256-14 | Washer | 1 |
| 25 | 3296-2 | Nut - Lock | 1 |
| 26 | 116716 | Switch - PTO | 1 |
| 27 | 105805 | Nut - Special | 1 |
| 28 | 9202424 | Spacer | 1 |
| 29 | 102950 | Washer - Tab | 1 |
| 30 | 113050 | Cover - PTO Switch | 1 |
| 31 | 113179 | Nut - Face | 1 |
| 32 | 117292 | Switch - Ignition | 1 |
| 33 | 116154 | Nut | 2 |
| 34 | 920163 | Washer - Lock | 1 |
| 35 | 9202734 | Washer - Special | 1 |
| 36 | 117048 | Key - Ignition | 1 |
| 37 | 106948 | Tray - Battery | 1 |
| 38 | 115858 | Clip - Snap Int. | 4 |
| 39 | 115860 | Clip - Snap Int. | 3 |
| 40 | 3290-134 | Screw | 2 |
| 41 | 3296-2 | Nut - Lock | 2 |
| 42 | 114594 | Fuse 10 AMP | 1 |
| * | 109101 | Fuse 20 AMP | 1 |
| * | NN10277 | Fuse 30 AMP | 1 |
| 43 | 78-3320 | Clamp - Hourmeter | 1 |
| 44 | 3253-15 | Washer - Lock | 2 |

*Not Illustrated

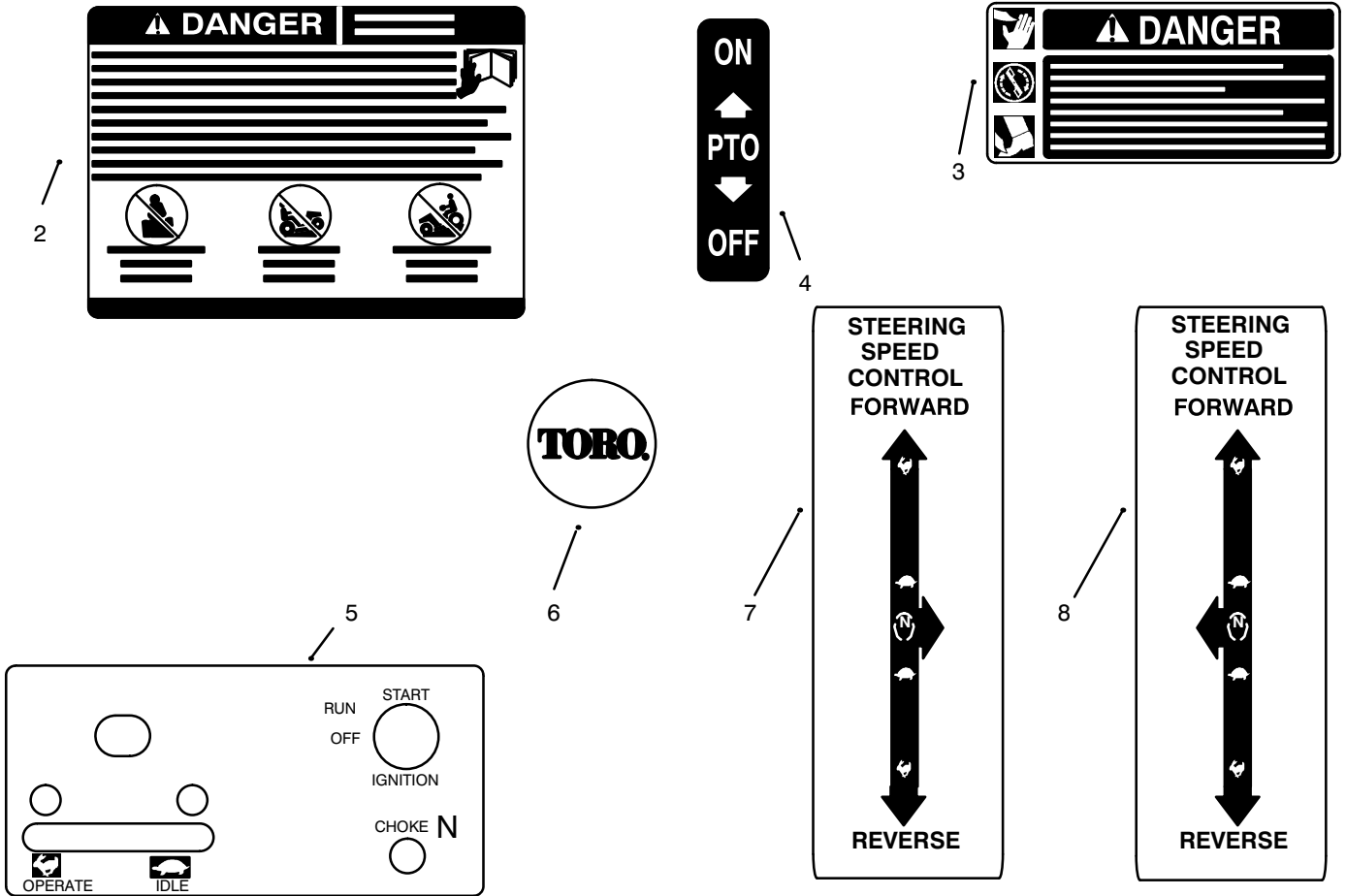


C-1240

WHEELS & TIRES ASSEMBLY

| Ref. No. | Part No. | Description | No. Used | Ref. No. | Part No. | Description | No. Used |
|----------|----------|---|----------|----------|----------|---|----------|
| 1 | 117280 | Rear Wheel Assembly 18 x 9.50 x 8 (Incl. Ref. #2, 3, & 13) | 2 | 10 | 117278 | Front Wheel Assembly (Incl. Ref. #14 & 15) | 2 |
| 2 | 116880 | Tire - Rear 18 x 9.50-8 | 2 | 11 | 117391 | Tire - Front 11 x 4.00-5 | 2 |
| 3 | 117281 | Wheel - Rear | 2 | 12 | 107963 | Tube - Front Tire | 2 |
| 4 | 79-2000 | Key | 2 | 13 | 106396 | Tube - Rear Tire | 2 |
| 5 | 32151-91 | Ring - Retaining | 2 | 14 | 109500 | Fitting - Grease | 2 |
| 6 | 9202524 | Washer | 2 | 15 | 110513 | Bearing - Front Wheel | 4 |
| 7 | 9202514 | Washer | 2 | 17 | 5210 | Washer | 4 |
| 8 | 109154 | Cap - Hub, Front | 2 | 18 | 78-7410 | Washer | 4 |
| 9 | 117276 | Front Wheel Assembly 11 x 4.00-5 (Incl. Ref. #10-12, 14 & 15) | 2 | 19 | 115882 | Ring - Retaining | 2 |
| | | | | 20 | 111951 | Cap - Hub Rear | 2 |
| | | | | * | 5108 | Stem - Valve (For Tubeless Tires) | 2 |

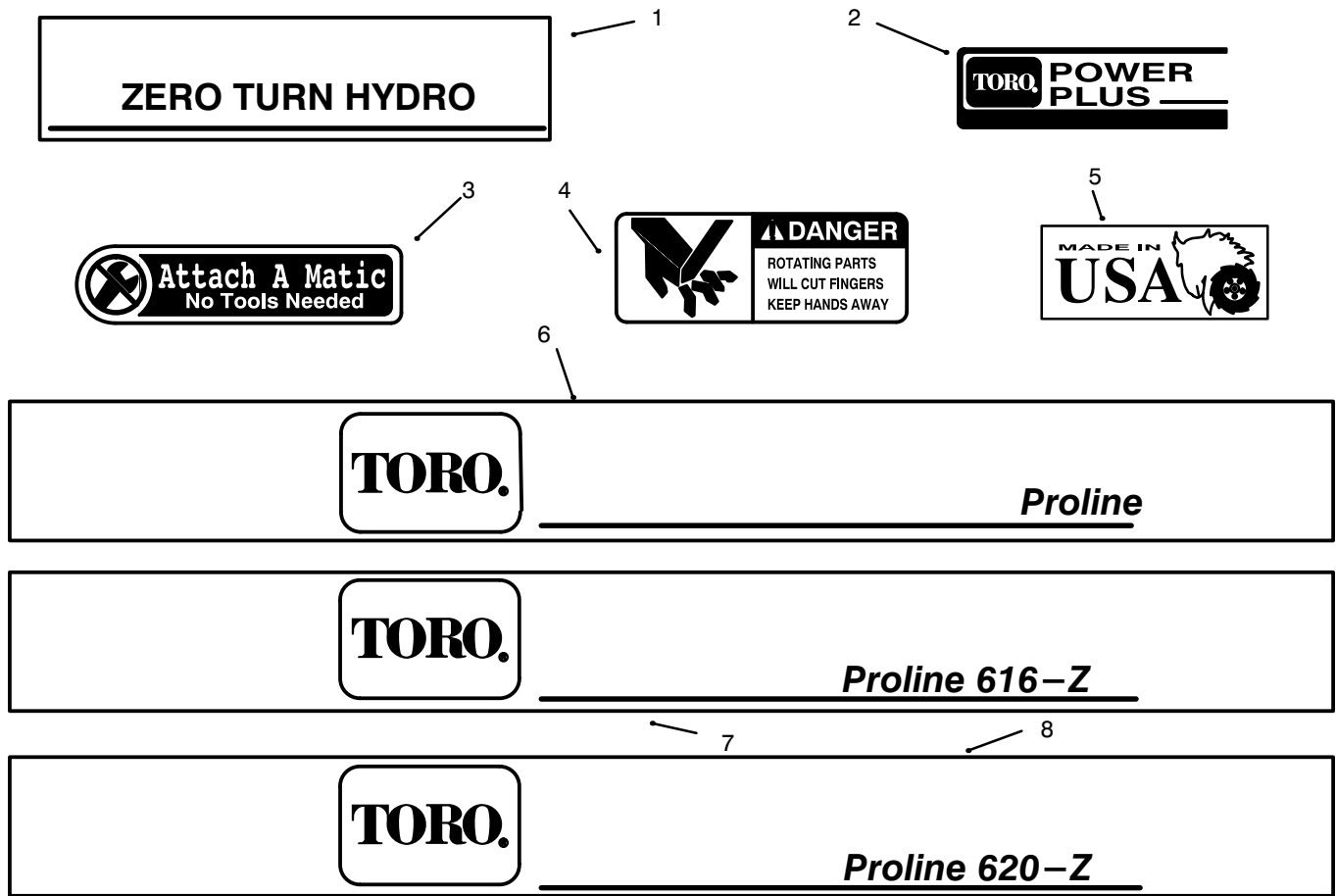
*Not Illustrated



DECALS

| Ref. No. | Part No. | Description | No. Used |
|----------|----------|--------------------|----------|
| 2 | 92-2504 | Decal - Danger | 1 |
| 3 | 92-2500 | Decal - Danger | 1 |
| 4 | 112845 | Decal - PTO Clutch | 1 |
| 5 | 78-2850 | Decal - Control | 1 |
| 6 | 118530 | Nameplate - Toro | 1 |

| Ref. No. | Part No. | Description | No. Used |
|----------|----------|-------------------------------------|----------|
| 7 | 92-4951 | Decal - Steering Speed Control L.H. | 1 |
| 8 | 92-4952 | Decal - Steering Speed Control R.H. | 1 |

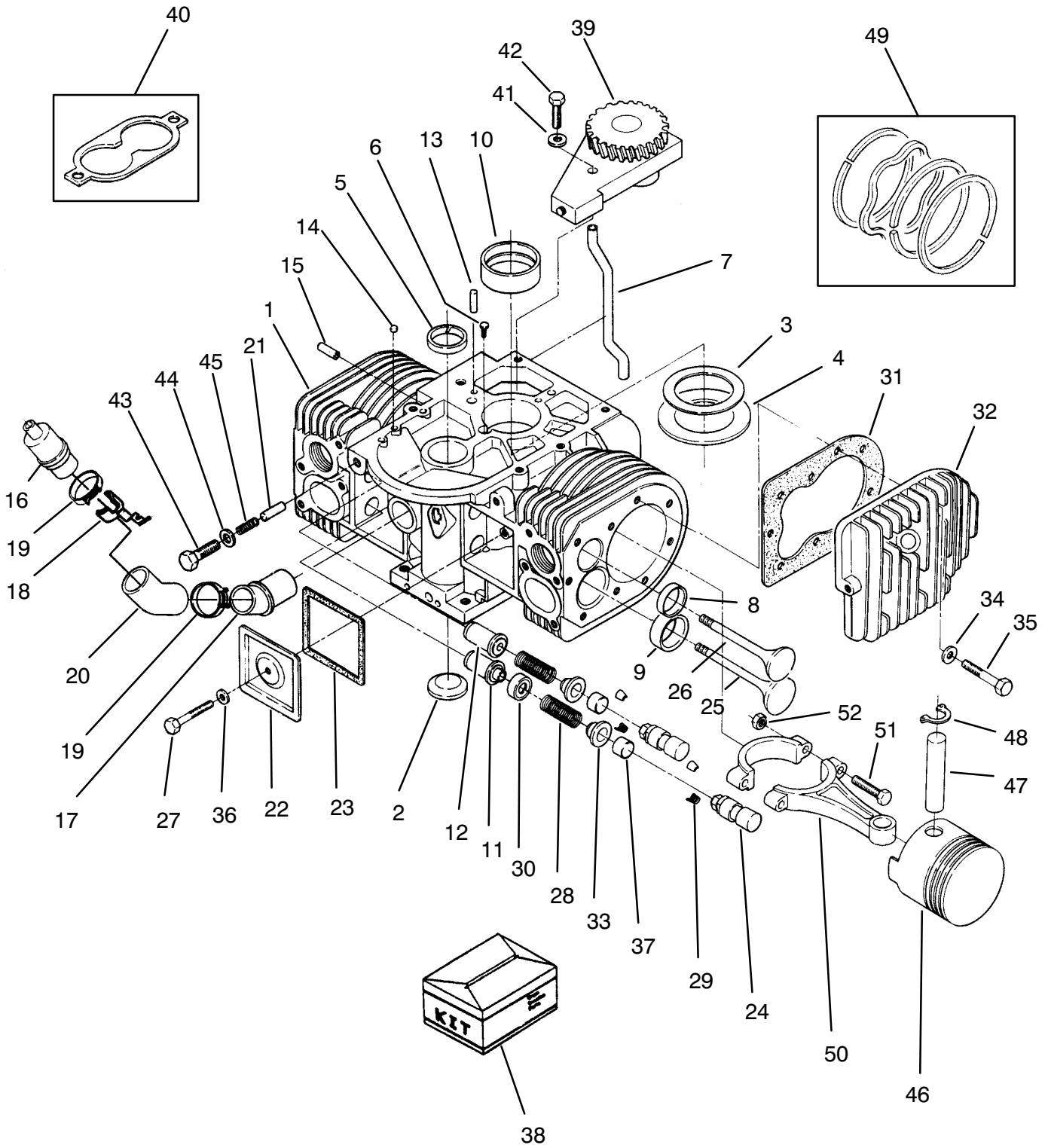


DECALS (Continued)

| Ref. No. | Part No. | Description | No. Used | Ref. No. | Part No. | Description | No. Used |
|----------|----------|--------------------------|----------|----------|----------|------------------------|----------|
| 1 | 92-1784 | Decal - Zero Turn | 1 | 6 | 92-2510 | Decal - Rear | 1 |
| 2 | 119050 | Decal - Power Plus 616-Z | 1 | 5 | 76-1340 | Decal - Made in U.S.A. | 1 |
| * | 78-7400 | Decal - Power Plus 620-Z | 1 | 7 | 92-2507 | Decal - Toro 616-Z | 1 |
| 3 | 92-8747 | Decal - Attach-A-Matic | 2 | 8 | 92-2508 | Decal - Toro 620-Z | 1 |
| 4 | 88-2790 | Decal - Danger | 1 | | | | |

*Not Illustrated

ENGINE CYLINDER BLOCK ASSEMBLY



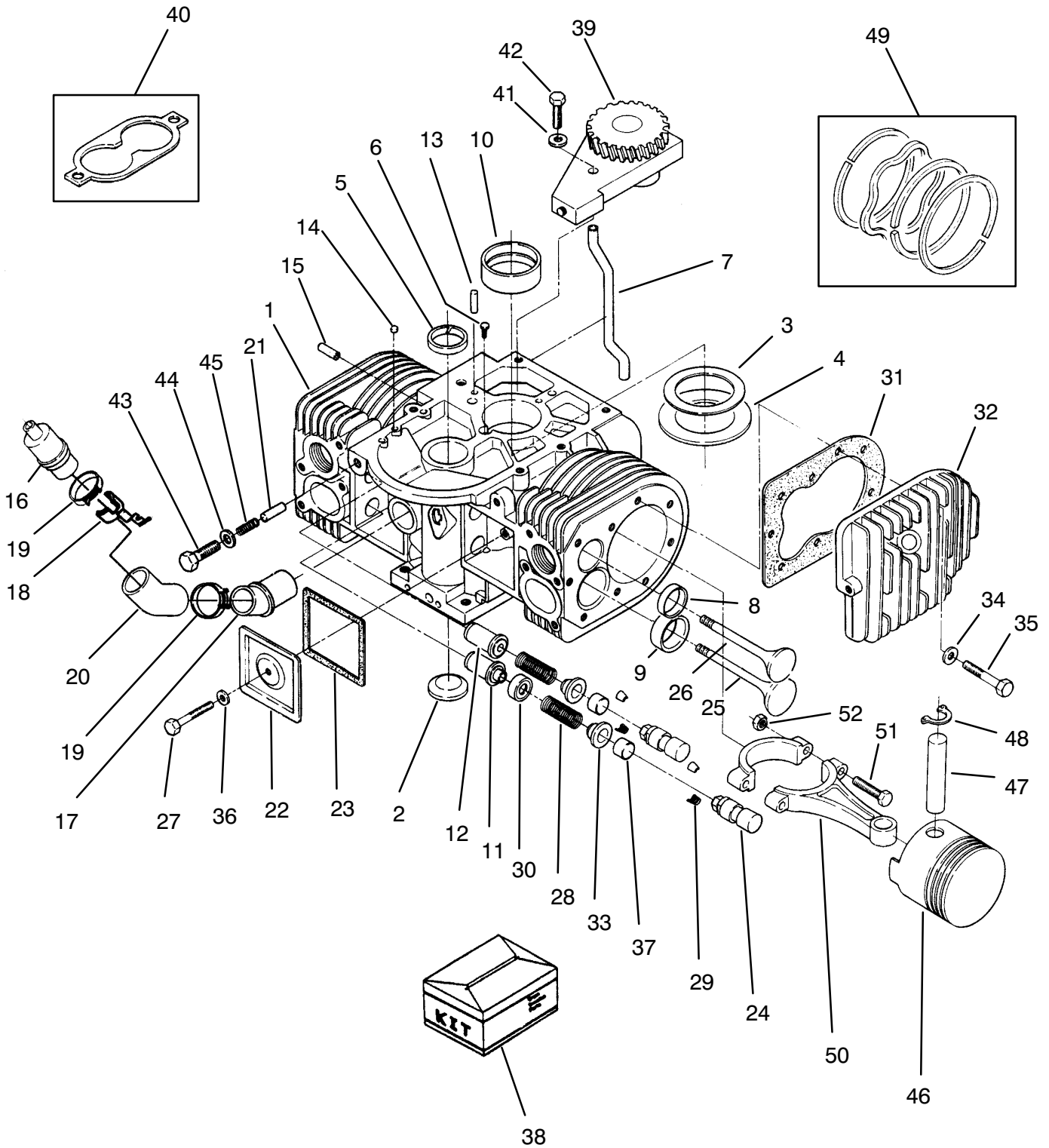
ENGINE CYLINDER BLOCK ASSEMBLY

| Ref. No. | Part No. | Description | No. Used |
|----------|----------|---|----------|
| 1 | NN10766 | Block – Short 16HP | 1 |
| | 92-0951 | Block – Short 20HP | 1 |
| 2 | NN10536 | Plug | 1 |
| 3 | 51-8170 | Shim 0.005" | AR |
| 4 | 57-8160 | Washer | 2 |
| 5 | 57-8000 | Bearing – Camshaft | 2 |
| 6 | NN10334 | Pin – Stop | 2 |
| 7 | 59-0290 | Tube – Oil | 1 |
| 8 | NN10054 | Insert – Exhaust Seat, Std | 2 |
| * | NN10055 | Insert – Exhaust Seat .002" Oversize | 2 |
| * | NN10056 | Insert – Exhaust Seat .005" Oversize | 2 |
| * | NN10057 | Insert – Exhaust Seat .010" Oversize | 2 |
| * | NN10058 | Insert – Exhaust Seat .025" Oversize | 2 |
| 9 | 79-6230 | Insert – Intake Seat, Std | 2 |
| * | 79-6240 | Insert – Intake Seat .002" Oversize | 2 |
| * | 79-6250 | Insert – Intake Seat .005" Oversize | 2 |
| * | 79-6260 | Insert – Intake Seat .010" Oversize | 2 |
| * | 79-6270 | Insert – Intake Seat .025" Oversize | 2 |
| 10 | 57-8032 | Bearing – Up Crankshaft Std | 1 |
| * | NN1004 | Bearing – Up Crankshaft .002" Under | 1 |
| * | 57-8030 | Bearing – Up Crankshaft .010" Under | 1 |
| * | 57-9800 | Bearing – Up Crankshaft .020" Under | 1 |
| * | NN10007 | Bearing – Up Crankshaft .030" Under | 1 |
| 11 | NN10478 | Guide – Intake Valve | 2 |
| 12 | NN10479 | Guide – Exhaust Valve | 2 |
| 13 | NN10336 | Pin | 2 |
| 14 | 59-0760 | Plug | 1 |
| 15 | 59-0360 | Tube – Vacuum | 1 |
| 16 | NN10489 | Tube – Breather | 1 |
| 17 | NN10494 | Adapter – Breather | 1 |

| Ref. No. | Part No. | Description | No. Used |
|----------|----------|---|----------|
| 18 | NN10495 | Bracket | 1 |
| 19 | NN10525 | Clamp – Hose | 2 |
| 20 | NN10529 | Hose | 1 |
| 21 | NN10535 | Plug | 1 |
| 22 | NN10481 | Cover – Valve | 2 |
| 23 | 57-8260 | Gasket | 2 |
| 24 | 57-8450 | Tappet – Std | 4 |
| * | NN10130 | Tappet – .002" Oversize | 4 |
| * | NN10131 | Tappet – .005" Oversize | 4 |
| 25 | NN10075 | Valve – Intake | 2 |
| 26 | NN10076 | Valve – Exhaust | 2 |
| 27 | NN10370 | Bolt | 2 |
| 28 | NN10077 | Spring – Valve | 4 |
| 29 | NN10082 | Lock | 8 |
| 30 | NN10326 | Seal | 2 |
| 31 | 57-8330 | Gasket | 2 |
| 32 | NN10079 | Head – Left Cylinder | 1 |
| * | NN10080 | Head – Right Cylinder | 1 |
| 33 | NN10078 | Retainer – Spring | 4 |
| 34 | 57-9770 | Washer | 18 |
| 35 | NN10381 | Bolt | 18 |
| 36 | 57-9740 | Washer – Copper | 2 |
| 37 | NN10081 | Cap – Valve | 4 |
| 38 | 71-6290 | Kit – Engine Gasket | 1 |
| * | 57-9370 | Kit – Valve Grind Gasket | 1 |
| 39 | NN10560 | Pump – Oil | 1 |
| 40 | NN10561 | Kit – Oil Pump Gasket | 1 |
| 41 | NN10542 | Washer | 2 |
| 42 | NN10369 | Bolt | 2 |
| 43 | 59-0910 | Bolt | 1 |
| 44 | 57-9760 | Washer – Copper | 1 |
| 45 | 59-0280 | Spring | 1 |
| 46 | 92-0901 | Set – Piston Pin & Retaining Rings (STD) | 2 |
| * | 92-0902 | Set – Piston Pin & Retaining Rings .010" | 2 |
| * | 92-0903 | Set – Piston Pin & Retaining Rings .020" | 2 |
| * | 92-0904 | Set – Piston Pin & Retaining Rings .030" | 2 |
| 47 | NN10100 | Pin – Piston | 2 |
| 48 | 57-9720 | Ring – Retaining | 4 |

*Not Illustrated

ENGINE CYLINDER BLOCK ASSEMBLY (Continued)



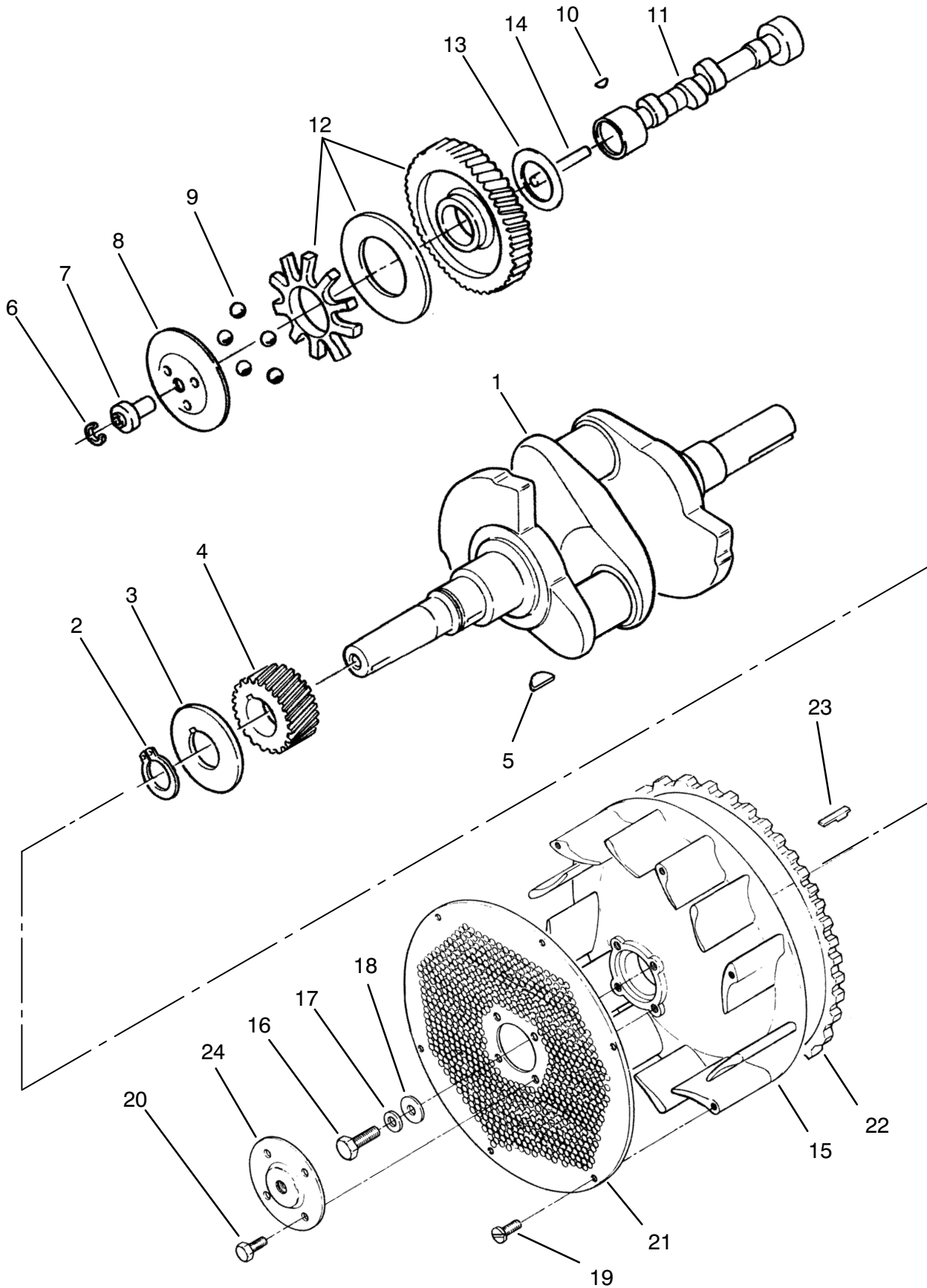
ENGINE CYLINDER BLOCK ASSEMBLY (Continued)

| Ref. No. | Part No. | Description | No. Used |
|----------|----------|--|----------|
| 49 | 92-0905 | Set - Piston Ring, Std. | 2 |
| | 92-0906 | Set - Piston Ring .005" O.S. | 2 |
| | 92-0907 | Set - Piston Ring .010" O.S. | 2 |
| | 92-0908 | Set - Piston Ring .020" O.S. | 2 |
| | 92-0909 | Set - Piston Ring .030" O.S. | 2 |
| 50 | NN10125 | Nuts - Rod w/Bolts Std 616-Z | 2 |
| * | NN10126 | Rod - w/Bolts & Nuts .010" Undersize, 616-Z | 2 |
| * | NN10127 | Rod - w/Bolts & Nuts .020" Undersize, 616-Z | 2 |
| * | NN10128 | Rod - w/Bolts & Nuts .030" Undersize, 616-Z | 2 |

| Ref. No. | Part No. | Description | No. Used |
|----------|----------|---|----------|
| * | 57-8420 | Rod - w/Bolts & Nuts Std 620-Z | 2 |
| * | 57-8430 | Rod - w/Bolts & Nuts .010" Undersize | 2 |
| * | 57-8440 | Rod - w/Bolts & Nuts .020" Undersize | 2 |
| * | NN10124 | Rod - w/Bolts & Nuts .030" Undersize | 2 |
| 51 | 57-8410 | Bolt - Rod | 4 |
| 52 | 57-9790 | Nut - Rod | 2 |

*Not Illustrated

CRANKSHAFT, CAMSHAFT & FLYWHEEL ASSEMBLY

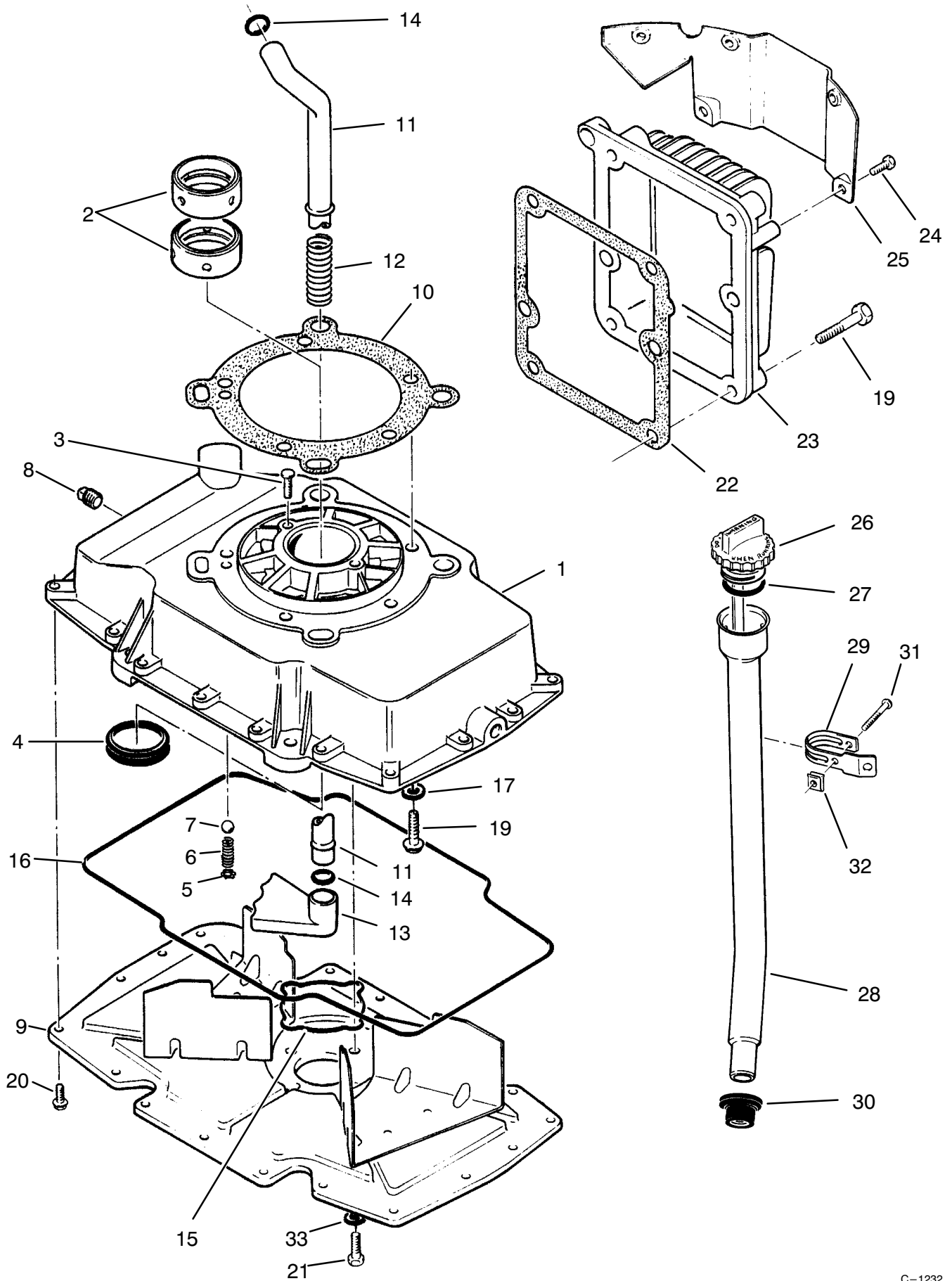


CRANKSHAFT, CAMSHAFT & FLYWHEEL ASSEMBLY

| Ref. No. | Part No. | Description | No. Used | Ref. No. | Part No. | Description | No. Used |
|----------|----------|----------------------------------|----------|----------|----------|------------------------------------|----------|
| 1 | NN10477 | Crankshaft – 616-Z | 1 | 12 | 57-8210 | Gear – Camshaft w/Spacer and Plate | 1 |
| * | NN10917 | Crankshaft – 620-Z | 1 | 13 | 57-8230 | Washer – Special Thrust | 1 |
| 2 | 57-9710 | Ring – Retaining | 1 | 14 | 59-0400 | Pin – Center | 1 |
| 3 | 57-8140 | Washer – Special | 1 | 15 | NN10171 | Flywheel – w/Ring Gear | 1 |
| 4 | 57-8130 | Gear – Crankshaft | 1 | 16 | 57-8150 | Screw – Special Cap | 1 |
| 5 | 57-9660 | Key – Gear | 1 | 17 | NN10541 | Washer | 1 |
| 6 | 57-9090 | Ring – Retaining | 1 | 18 | 59-0810 | Washer | 1 |
| 7 | 57-9130 | Hub – Governor Cup | 1 | 19 | NN10409 | Bolt | 6 |
| 8 | 59-0450 | Cup – Governor | 1 | 20 | 59-1120 | Bolt | 4 |
| 9 | 57-9640 | Ball – Governor | 5 | 21 | 79-6440 | Screen – Air Inlet | 1 |
| 10 | 57-9660 | Key – Woodruff | 1 | 22 | 57-8180 | Gear – Ring | 1 |
| 11 | NN10032 | Camshaft – w/Center Pin 616-Z | 1 | 23 | NN10332 | Key – Flywheel | 1 |
| * | NN10033 | Camshaft – w/Center Pin 620-Z | 1 | 24 | NN10524 | Bracket | 1 |

*Not Illustrated

OIL BASE & FILL TUBE ASSEMBLY



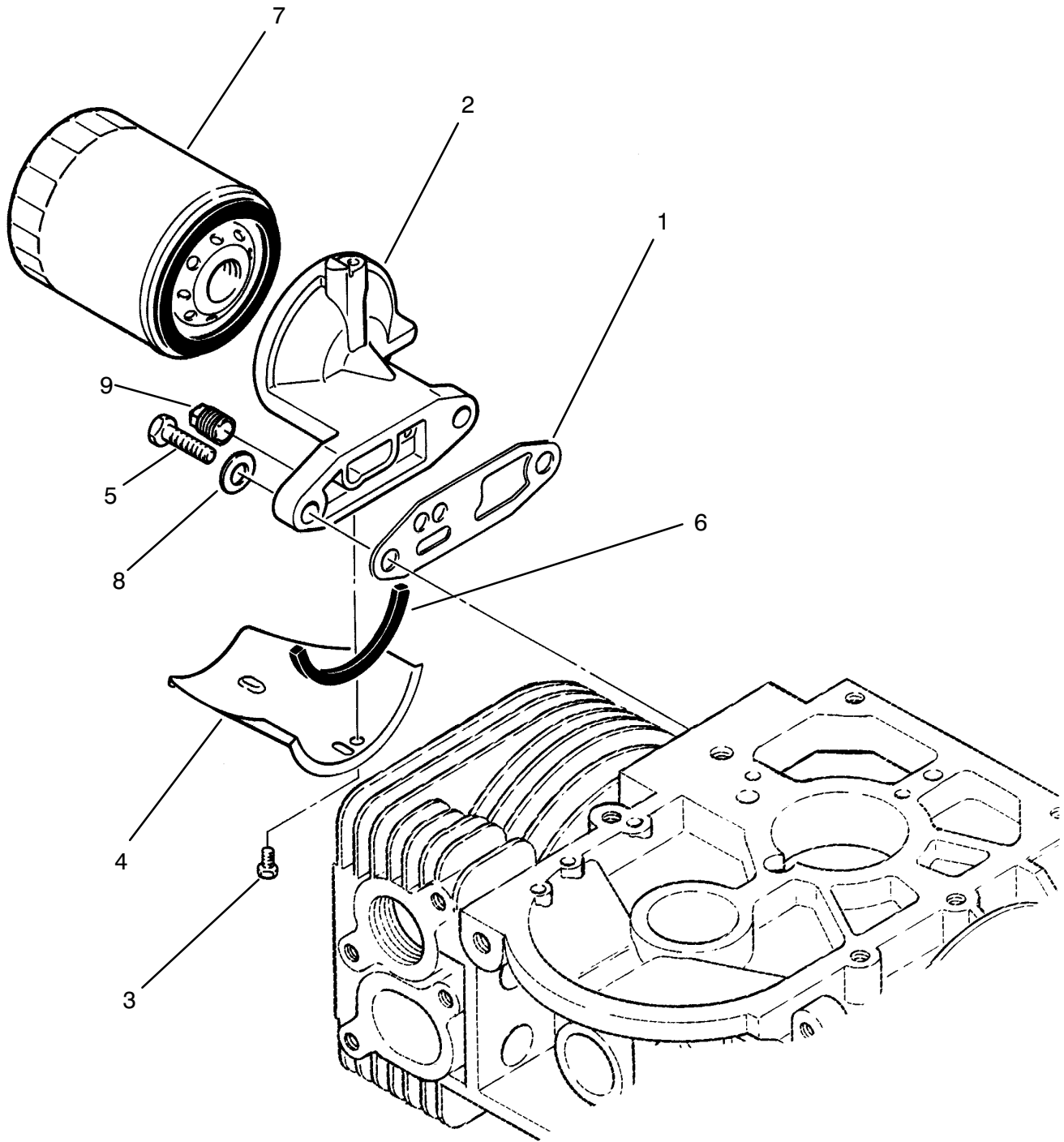
OIL BASE & FILL TUBE ASSEMBLY

| Ref. No. | Part No. | Description | No. Used |
|----------|----------|---|----------|
| 1 | NN10867 | Base – Oil (Incl. Ref. #2-7) | 1 |
| 2 | 57-8050 | Bearing – Low Crankshaft, Std. | 2 |
| | NN10010 | Bearing – Low Crankshaft .002" Undersize | 2 |
| | 57-8060 | Bearing – Low Crankshaft .010" Undersize | 2 |
| * | NN10012 | Bearing – Low Crankshaft .020" Undersize | 2 |
| * | NN10013 | Bearing – Low Crankshaft .030" Undersize | 2 |
| 3 | NN10334 | Screw | 2 |
| 4 | NN10530 | Seal – Oil | 1 |
| 5 | NN10539 | Ring – Retaining | 1 |
| 6 | 59-0280 | Spring | 1 |
| 7 | NN10534 | Bearing – Ball | 1 |
| 8 | NN10682 | Plug | 3 |
| 9 | NN10475 | Cover | 1 |
| 10 | NN10474 | Gasket | 1 |
| 11 | NN10482 | Tube – Pickup | 1 |
| 12 | NN10483 | Spring – Pickup | 1 |

| Ref. No. | Part No. | Description | No. Used |
|----------|----------|---|----------|
| 13 | NN10485 | Cup – Pickup | 1 |
| 14 | NN10531 | "O"Ring | 2 |
| 15 | NN10532 | Seal – Inner | 1 |
| 16 | NN10533 | Seal – Outer | 1 |
| 17 | NN10540 | Washer | 5 |
| 19 | NN10546 | Screw | 9 |
| 20 | 59-0980 | Screw | 19 |
| 21 | 32104-32 | Screw | 4 |
| 22 | 57-8090 | Gasket | 1 |
| 23 | NN10480 | Cooler – Oil | 1 |
| 24 | 59-0970 | Screw | 2 |
| 25 | NN10498 | Baffle | 1 |
| 26 | NN10490 | Indicator – Oil Level (Incl. Ref. #27) | 1 |
| 27 | 57-9610 | "O"Ring | 1 |
| 28 | NN10491 | Tube | 1 |
| 29 | NN10492 | Bracket | 1 |
| 30 | 71-6170 | Seal | 1 |
| 31 | NN10407 | Screw | 1 |
| 32 | NN10431 | Nut – Speed | 1 |
| 33 | 59-0860 | Washer | 4 |

*Not Illustrated

OIL FILTER ASSEMBLY

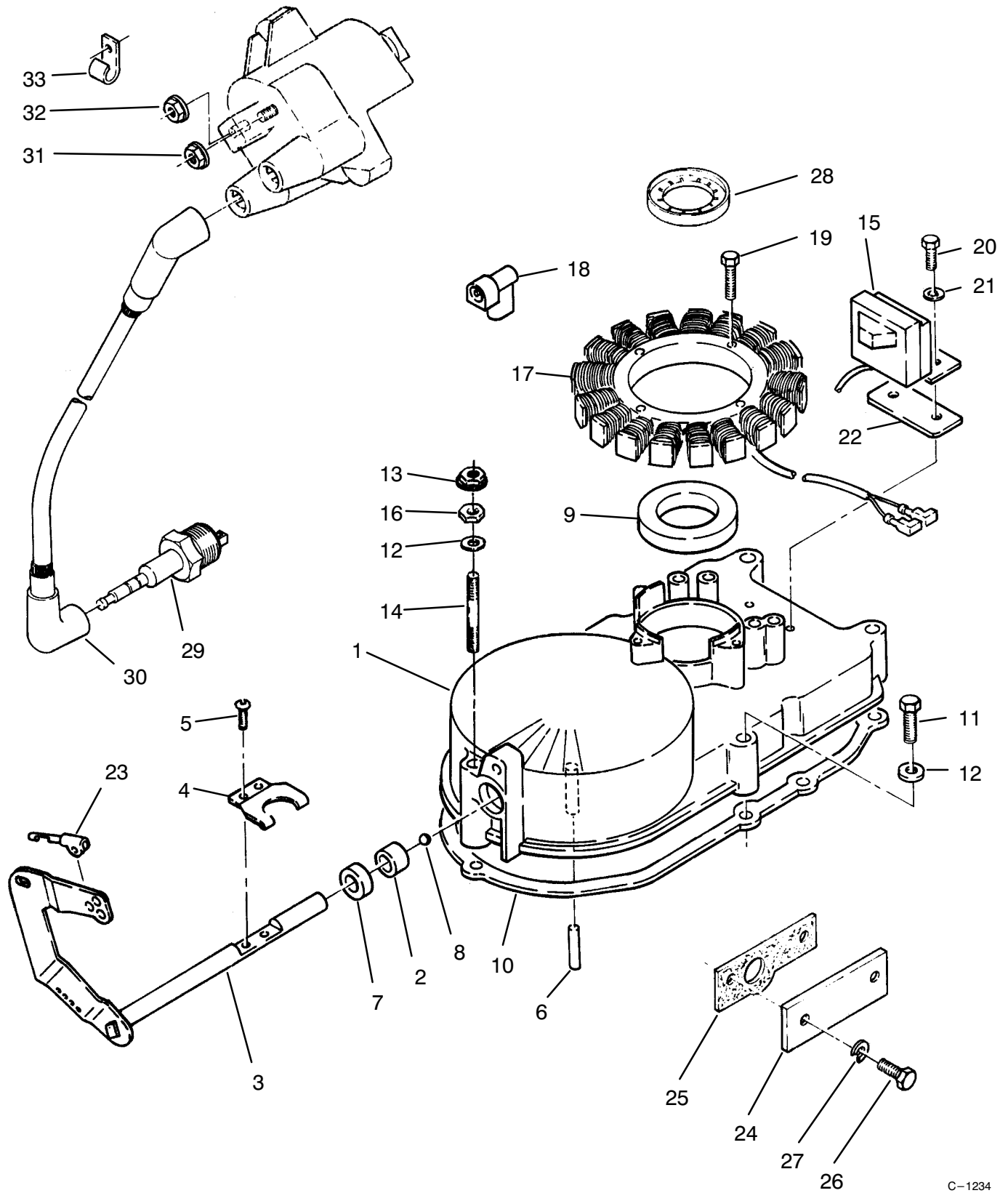


OIL FILTER ASSEMBLY

| Ref. No. | Part No. | Description | No. Used |
|----------|----------|-------------|----------|
| 1 | 79-6470 | Gasket | 1 |
| 2 | NN10141 | Adapter | 1 |
| 3 | NN10391 | Bolt | 1 |
| 4 | NN10487 | Drain - Oil | 1 |
| 5 | NN10373 | Bolt | 2 |

| Ref. No. | Part No. | Description | No. Used |
|----------|----------|--------------|----------|
| 6 | NN10488 | Seal | 1 |
| 7 | NN10143 | Filter - Oil | 2 |
| 8 | 57-9750 | Washer | 2 |
| 9 | NN10798 | Plug | 1 |

GEARCASE & IGNITION ASSEMBLY

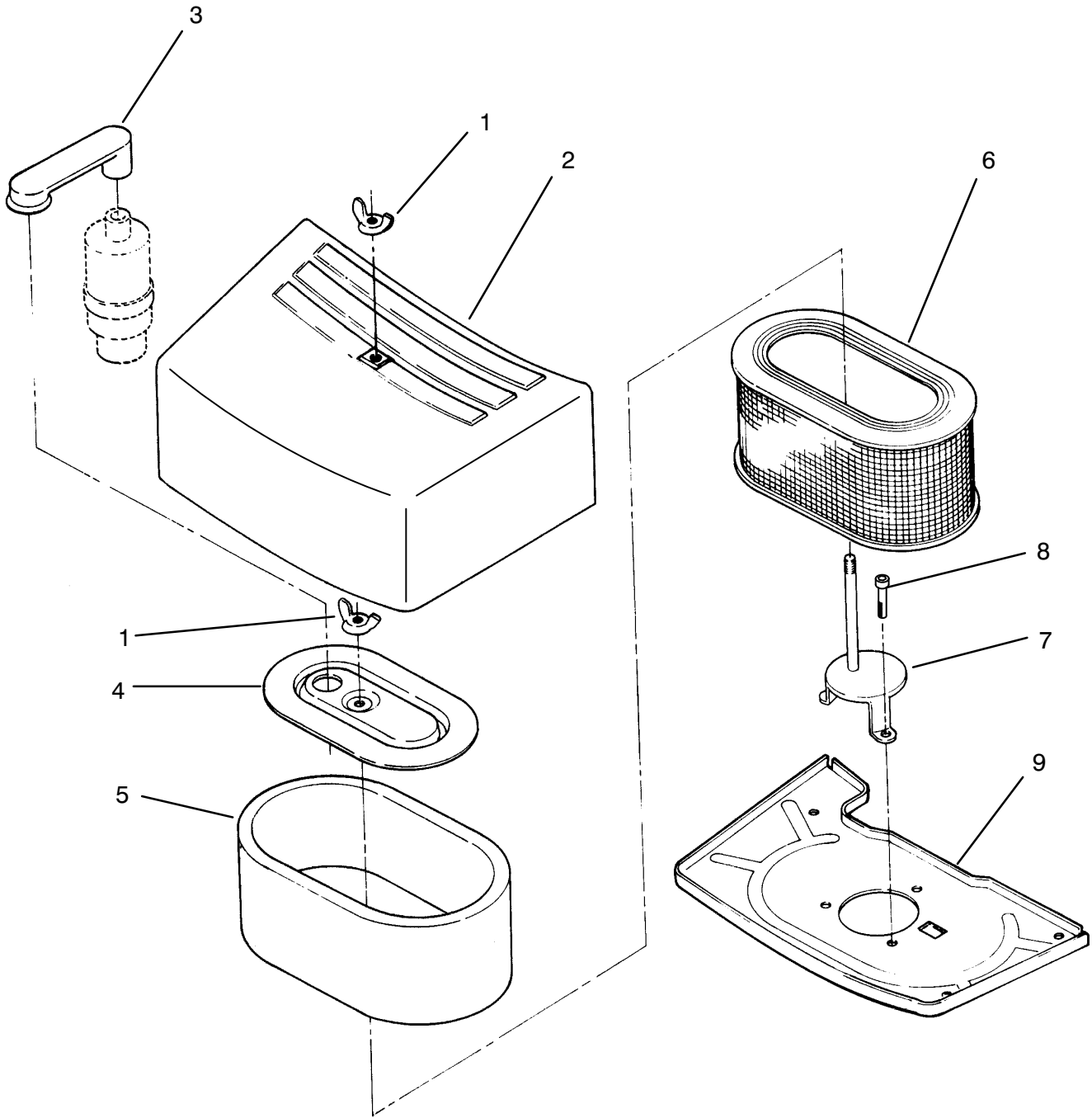


GEARCASE & IGNITION ASSEMBLY

| Ref. No. | Part No. | Description | No. Used | Ref. No. | Part No. | Description | No. Used |
|----------|----------|-------------------------------------|----------|----------|----------|----------------------------|----------|
| 1 | NN10559 | Kit – Gearcase (Incl. Ref. #2–9) | 1 | 18 | NN10291 | Lead – Terminal | 2 |
| 2 | 57-9650 | Bearing | 1 | 19 | NN10389 | Bolt | 3 |
| 3 | NN10510 | Shaft and Arm | 1 | 20 | NN10394 | Bolt | 2 |
| 4 | 59-0420 | Yoke | 1 | 21 | NN10424 | Washer – Lock | 2 |
| 5 | 59-0950 | Screw | 2 | 22 | NN10516 | Insulator | 1 |
| 6 | NN10335 | Pin – Dowel | 1 | 23 | 57-9700 | Clip – Retaining | 1 |
| 7 | 57-9570 | Seal – Oil | 1 | 24 | NN10515 | Plate | 1 |
| 8 | 57-9630 | Bearing | 1 | 25 | 57-9260 | Gasket | 1 |
| 9 | 57-9580 | Seal – Oil | 1 | 26 | NN10368 | Bolt | 2 |
| 10 | NN10549 | Gasket | 1 | 27 | NN10542 | Washer | 2 |
| 11 | 82-1410 | Bolt | 4 | 28 | NN10247 | Rotor | 1 |
| 12 | 57-9750 | Washer | 5 | 29 | 57-9340 | Plug – Spark | 2 |
| 13 | NN10430 | Nut | 1 | 30 | NN10253 | Wire – Plug | 1 |
| 14 | NN10352 | Stud | 1 | * | NN10254 | Wire – Plug | 1 |
| 15 | NN10444 | Control – Ignition | 1 | 31 | NN10249 | Nut – Negative Terminal M5 | 1 |
| 16 | 59-1130 | Nut | 1 | 32 | NN10248 | Nut – Positive Terminal M4 | 1 |
| 17 | 57-9440 | Stator – with Terminals | 1 | 33 | NN10348 | Clip | 1 |

*Not Illustrated

AIR CLEANER ASSEMBLY

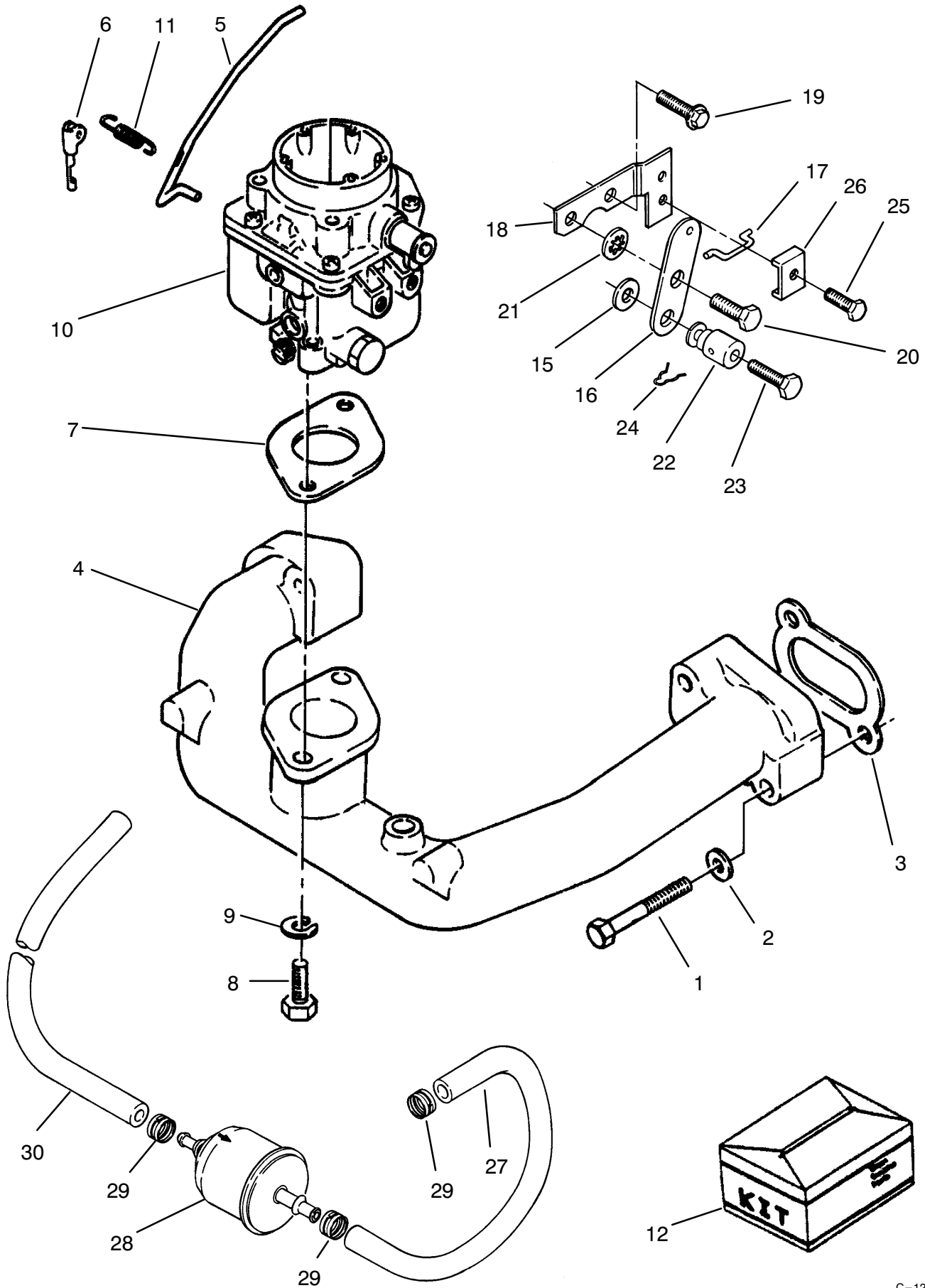


AIR CLEANER ASSEMBLY

| Ref. No. | Part No. | Description | No. Used |
|----------|----------|----------------|----------|
| 1 | NN10427 | Nut – Wing | 2 |
| 2 | 92-0955 | Hood | 1 |
| 3 | NN10493 | Tube | 1 |
| 4 | NN10500 | Cover | 1 |
| 5 | NN10503 | Element – Foam | 1 |

| Ref. No. | Part No. | Description | No. Used |
|----------|----------|-----------------|----------|
| 6 | 92-0956 | Element – Paper | 1 |
| 7 | 94-6403 | Support – Hood | 1 |
| 8 | NN10547 | Screw | 1 |
| 9 | NN10499 | Pan | 1 |

CARBURETOR & INTAKE MANIFOLD ASSEMBLY



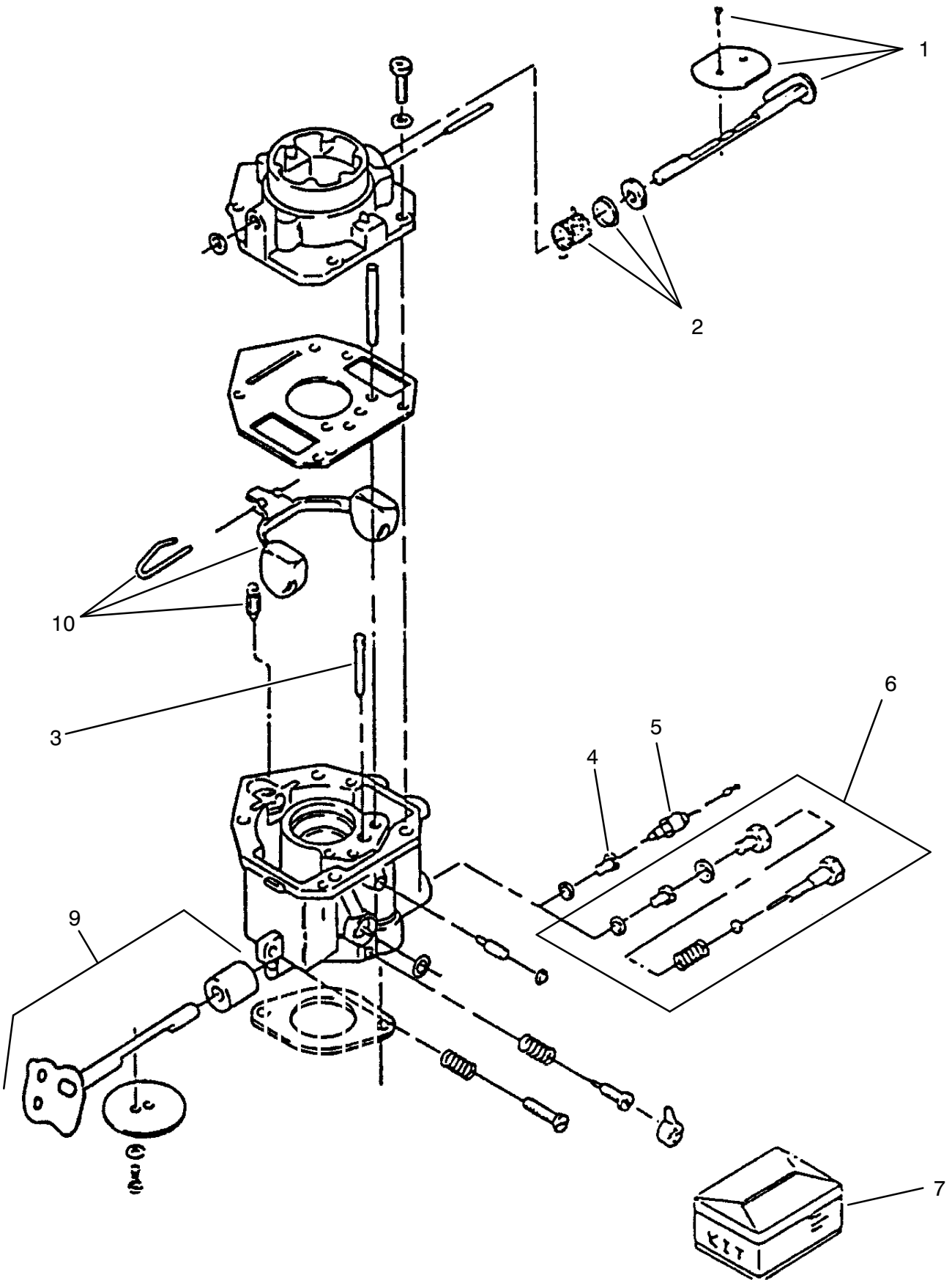
CARBURETOR & INTAKE MANIFOLD ASSEMBLY

| Ref. No. | Part No. | Description | No. Used | Ref. No. | Part No. | Description | No. Used |
|----------|----------|--|----------|----------|----------|---------------|----------|
| 1 | NN10375 | Bolt | 4 | 12 | NN10206 | Kit – Repair | 1 |
| 2 | NN10543 | Washer | 4 | 15 | 59-0850 | Washer | 1 |
| 3 | 57-9200 | Gasket | 2 | 16 | 59-0460 | Lever | 1 |
| 4 | NN10514 | Manifold | 1 | 17 | 57-9180 | Link | 1 |
| 5 | NN10509 | Rod | 1 | 18 | 59-0470 | Bracket | 1 |
| 6 | NN10538 | Clip | 1 | 19 | NN10412 | Bolt | 1 |
| 7 | 57-9200 | Gasket | 1 | 20 | 59-1020 | Bolt | 1 |
| 8 | NN10544 | Bolt | 2 | 21 | NN10424 | Washer – Lock | 1 |
| 9 | NN10420 | Washer | 2 | 22 | 57-9170 | Swivel | 1 |
| 10 | NN10504 | Carburetor – 616-Z | 1 | 23 | NN10410 | Bolt | 1 |
| + | 94-6404 | Kit – Carburetor – 620-Z Low Emission NOT REPAIRABLE | 1 | 24 | 59-0720 | Pin – Cotter | 1 |
| + | 94-6405 | Jet – Main, Fixed | 1 | 25 | NN10784 | Bolt | 1 |
| + | 94-1843 | Kit – Float & Gasket | 1 | 26 | 57-9190 | Clamp | 1 |
| + | 94-1844 | Kit – Accelerator | 1 | 27 | NN10302 | Hose | 1 |
| 11 | NN10865 | Spring – Governor Rod | 1 | 28 | NN10466 | Filter – Fuel | 1 |
| | | | | 29 | NN10789 | Clamp | 3 |
| | | | | 30 | NN10527 | Hose | 1 |

*Not Illustrated

+Low Emission Carburetor Model 74101 Only

CARBURETOR COMPONENTS (Model P216V Only)



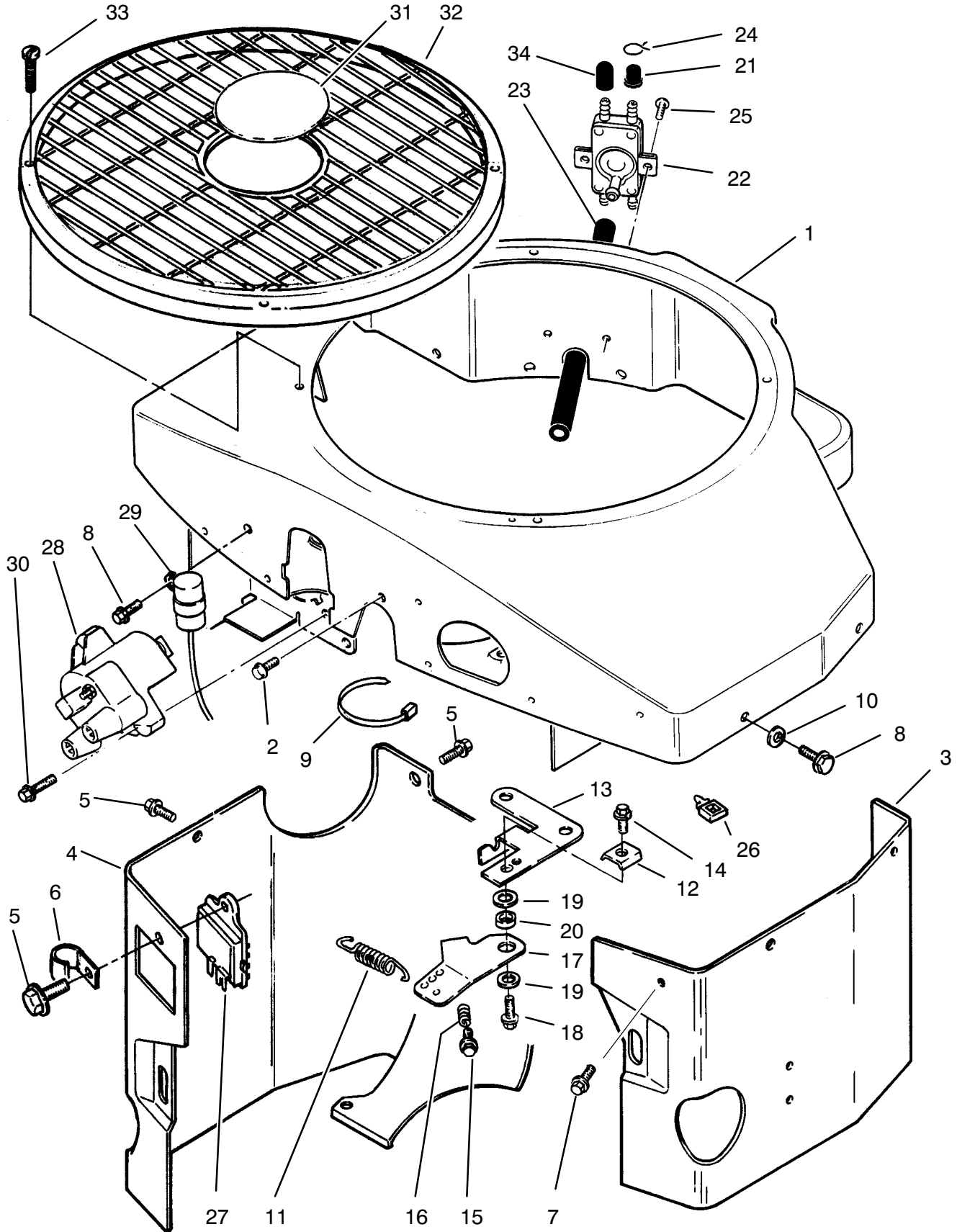
CARBURETOR COMPONENTS (Model P216V Only)

| Ref. No. | Part No. | Description | No. Used |
|----------|----------|-------------------|----------|
| 1 | NN10207 | Kit – Choke Shaft | 1 |
| 2 | NN10809 | Kit – Choke Lever | 1 |
| 3 | NN10201 | Jet – Idle | 1 |
| 4 | NN10199 | Jet – Power | 1 |
| * | NN10810 | Jet – Fixed | 1 |
| 5 | NN10808 | Solenoid | 1 |

| Ref. No. | Part No. | Description | No. Used |
|----------|----------|-------------------------------------|----------|
| 6 | NN10810 | Jet – Power, High Alt | 1 |
| 7 | NN10807 | Kit – Carburetor Repair | 1 |
| 9 | NN10811 | Kit – Throttle Shaft | 1 |
| 10 | NN10209 | Kit – Float (Includes Float Pin) | 1 |

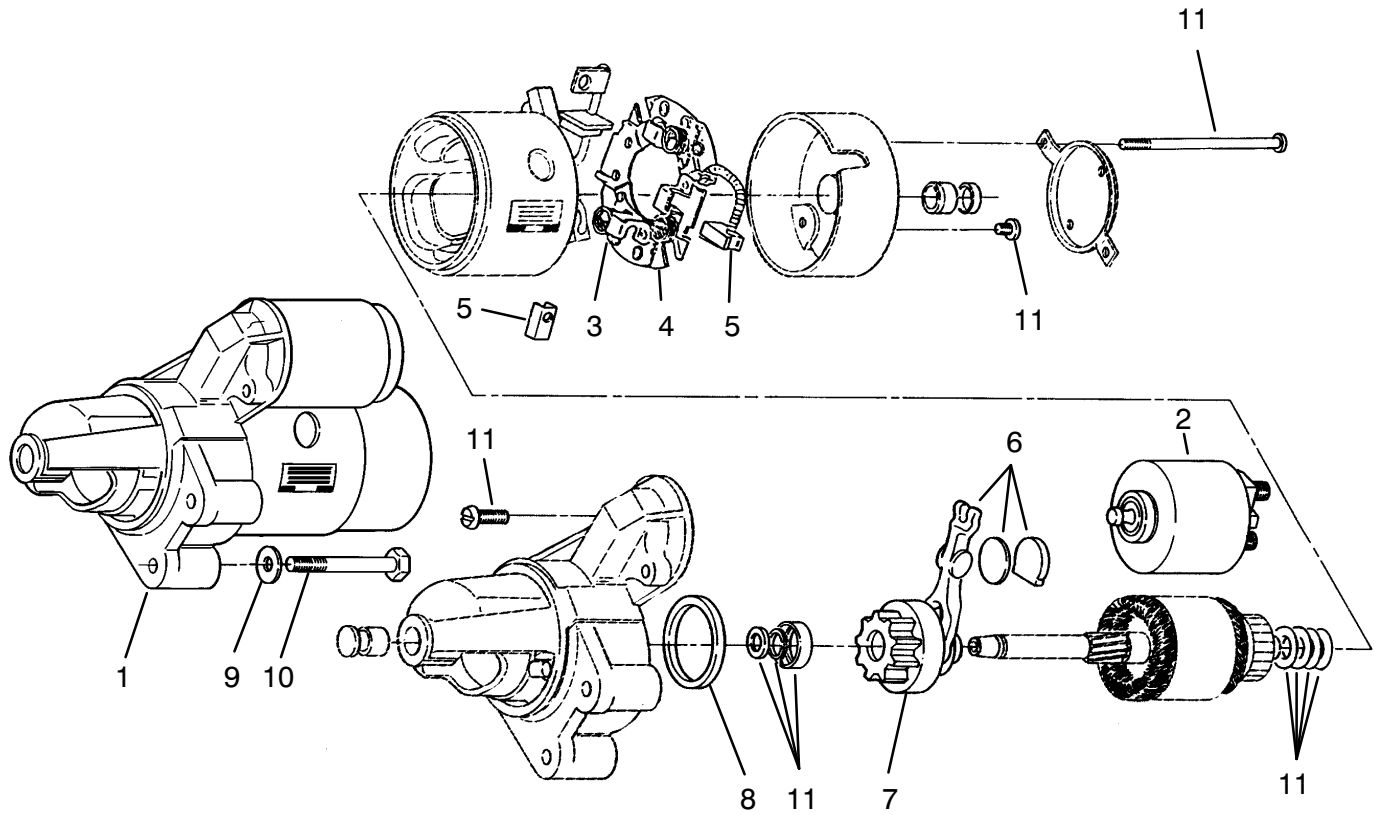
*Not Illustrated

COVERS, FUEL PUMP, COIL, REGULATOR & GOVERNOR LINKAGE ASSEMBLY



COVERS, FUEL PUMP, COIL, REGULATOR & GOVERNOR LINKAGE ASSEMBLY

| Ref. No. | Part No. | Description | No. Used | Ref. No. | Part No. | Description | No. Used |
|----------|----------|------------------------|----------|----------|----------|---------------------|----------|
| 1 | NN10862 | Housing – Blower | 1 | 18 | 59-1010 | Bolt | 2 |
| 2 | 59-0970 | Bolt | 2 | 19 | 59-0830 | Washer | 2 |
| 3 | 92-0957 | Housing – Cylinder, LH | 1 | 20 | 57-9120 | Bushing | 1 |
| 4 | 92-0958 | Housing – Cylinder, RH | 1 | 21 | 59-0370 | Cap | 1 |
| 5 | 59-1080 | Bolt | 5 | 22 | NN10505 | Pump – Fuel | 1 |
| 6 | NN10348 | Clip | 1 | 23 | NN10302 | Hose 11” | 1 |
| 7 | NN10417 | Bolt | 2 | 24 | 57-9550 | Clamp | 4 |
| 8 | 59-0980 | Bolt | 4 | 25 | 59-1050 | Screw | 2 |
| 9 | NN10863 | Cable Tie | 2 | 26 | NN10522 | Clip | 1 |
| 10 | 59-0820 | Washer | 4 | 27 | NN10794 | Regulator – Voltage | 1 |
| 11 | 57-9100 | Spring | 1 | 28 | NN10245 | Coil – Ignition | 1 |
| 12 | 57-9190 | Clamp | 1 | 29 | NN10276 | Condenser | 1 |
| 13 | NN10898 | Bracket | 1 | 30 | NN10408 | Bolt | 2 |
| 14 | NN10784 | Bolt | 1 | 31 | NN10340 | Plug | 1 |
| 15 | 59-1030 | Bolt | 1 | 32 | NN10551 | Guard | 1 |
| 16 | 59-0430 | Spring | 1 | 33 | NN10864 | Screw | 4 |
| 17 | 57-9140 | Arm | 1 | 34 | 112841 | Cap | 1 |



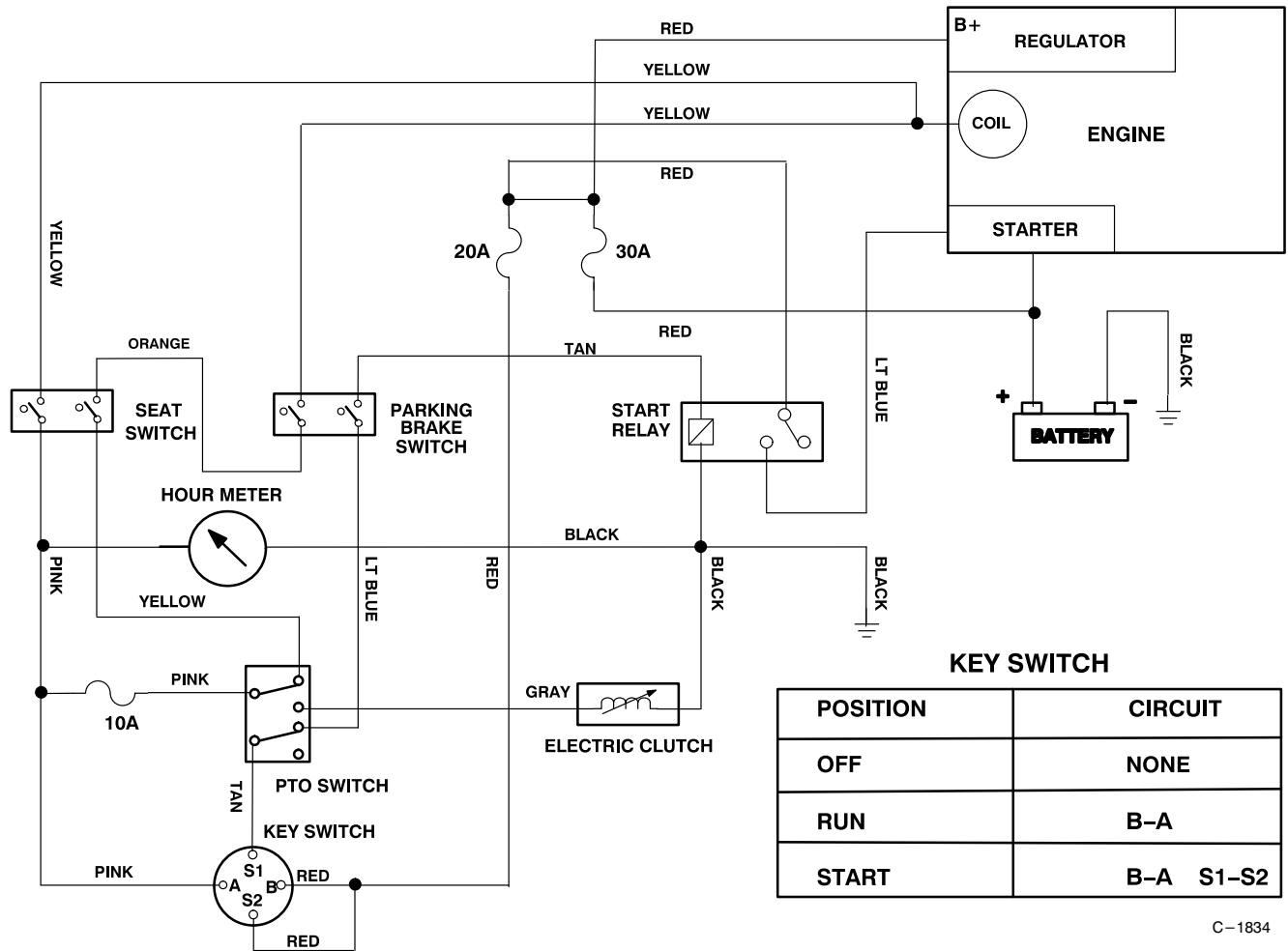
C-1239

STARTER ASSEMBLY

| Ref. No. | Part No. | Description | No. Used |
|----------|----------|---|----------|
| 1 | NN10519 | Starter Assy | 1 |
| 2 | 62-2720 | Kit - Starter Solenoid (Incl. Spring Plunger) | 1 |
| 3 | 79-6300 | Spring - Brush | 3 |
| 4 | 62-2750 | Holder - Brush (Incl. Negative Brush) | 1 |
| 5 | 62-2740 | Kit - Brush (Incl. Positive Brush (2) & Negative Brush w/Pigtail) | 1 |
| 6 | 62-2770 | Kit - Starter Shift Lever (Incl. Wear Plate & Plug) | 1 |
| 7 | 72-3940 | Clutch - Starter | |

| Ref. No. | Part No. | Description | No. Used |
|----------|----------|---|----------|
| | | (Incl. Pinion Gear w/Clutch) | 1 |
| 8 | 72-3950 | Seal - Dust | 1 |
| 9 | 57-9770 | Washer | 2 |
| 10 | NN10376 | Bolt | 2 |
| 11 | NN10265 | Kit - Hardware (Incl. Solenoid Screws (2) Brush Holder Screws (2) Thru Bolts (2) Armature Shims (2) Pinion Stop Collar & Pinion Retaining Ring) | 1 |

*Not Illustrated



C-1834

ELECTRIC SCHEMATIC

| Ref. No. | Part No. | Description | No. Used |
|----------|----------|----------------------|----------|
| 1 | 78-5840 | Wire Harness, Main | 1 |
| * | 94-6406 | Wire Harness, Engine | 1 |

| Ref. No. | Part No. | Description | No. Used |
|----------|----------|-------------|----------|
| | | | |
| | | | |
| | | | |

*Not Illustrated

TORO PART NUMBER INDEX

| Part No. | Description | Pg. Ref. No. No. Qty. | Part No. | Description | Pg. Ref. No. No. Qty. |
|----------|-----------------------|--------------------------|----------|------------------------|--------------------------|
| 2534 | Clip – Spring | 3 11 1 | 113050 | Cover – PTO Switch | 14 30 1 |
| 2844 | Washer | 2 9 1 | 113165 | Bolt – Shoulder | 2 8 1 |
| 5108 | Stem – Valve | 15 * 2 | 113179 | Nut – Face | 14 31 1 |
| 5210 | Washer | 15 17 4 | 113632 | Spring – Speed Lever | 4 41 2 |
| 5977 | Bushing – Nylon | 4 10 2 | 113675 | Bushing – Pivot | 4 38 2 |
| 6229 | Bearing | 2 6 2 | 113689 | Washer – Spring | 4 33 6 |
| 7896 | Washer – Bowed | 3 3 2 | 113823 | Kit – Springs and Nuts | 10 37 1 |
| 8616 | Spring – Compression | 1 32 2 | 113969 | Hook | 14 7 2 |
| 8830 | Clip | 11 23 2 | 114064 | Bearing | 10 38 2 |
| 9038 | Grip | 1 21 2 | 114496 | Spring – 620-Z (Black) | 13 9 2 |
| 100304 | Spacer | 10 26 1 | 114497 | Spring – 616-Z (Red) | 13 * 2 |
| 101017 | Lock | 1 34 2 | 114563 | Gasket | 2 39 2 |
| 102025 | Spacer | 3 16 1 | 114594 | Fuse 10 AMP | 14 42 1 |
| 102950 | Washer – Tab | 14 29 1 | 114764 | Elbow | 11 32 1 |
| 103409 | Spacer | 4 24 4 | 115123 | Washer | 1 25 2 |
| 103509 | Yoke | 4 29 2 | 115200 | Edge Trim | 13 24 1 |
| 103995 | Washer | 2 35 2 | 115271 | Fan | 2 34 2 |
| 104047 | Bushing | 11 8 1 | 115272 | Lever – Tow Valve | 4 1 2 |
| 104048 | Valve Assy – Fuel | 11 9 1 | 115273 | Plate – Tow Valve | 4 45 2 |
| 104525 | Spacer | 12 19 2 | 115274 | Bracket – Hydro Side | 2 27 2 |
| 104657 | Plate | 1 23 2 | 115291 | Pivot – Lever, LH | 4 * 1 |
| 104869 | Washer – Flat | 14 4 2 | 115292 | Pivot – Lever, RH | 4 35 1 |
| 105316 | Cap – Plunger | 1 22 2 | 115295 | Bushing | 5 49 2 |
| 105453 | Key | 10 40 1 | 115296 | Rod – Control | 4 27 2 |
| 105474 | Spacer | 4 16 2 | 115297 | Plate | 5 50 2 |
| 105503 | Bushing | 10 4 2 | 115298 | Link – RH | 4 21 1 |
| 105797 | Ring – Retaining | 1 33 4 | 115299 | Link – LH | 4 * 1 |
| 105805 | Nut – Special | 14 27 1 | 115300 | Clip – Clevis, RH | 5 48 1 |
| 106396 | Tube – Rear Tire | 15 13 2 | 115301 | Clip – Clevis | 4 22 2 |
| 106449 | Pin | 12 10 1 | 115301 | Clip – Clevis, LH | 5 * 1 |
| 106661 | Cam | 4 14 2 | 115335 | Spacer | 10 6 1 |
| 106948 | Tray – Battery | 14 37 1 | 115437 | Arm – Idler | 10 10 1 |
| 106950 | Bushing | 3 19 2 | 115440 | Bracket – Idler | 10 25 1 |
| 107963 | Tube – Front Tire | 15 12 2 | 115682 | Spacer – Idler | 10 18 1 |
| 108177 | Spring – Torsion | 10 14 1 | 115701 | Pivot | 3 12 1 |
| 108686 | Bolt | 12 16 2 | 115725 | Lever – Brake | 3 2 1 |
| 108889 | Bumper | 13 8 4 | 115741 | Funnel – Tank | 11 3 1 |
| 108889 | Bumper | 2 12 1 | 115780 | Tube – Fuel | 11 12 1 |
| 109101 | Fuse 20 AMP | 14 * 1 | 115850 | Cable – Seat | 12 20 1 |
| 109154 | Cap – Hub, Front | 15 8 2 | 115858 | Clip – Snap Int. | 14 38 4 |
| 109189 | Bearing – Flanged | 3 4 2 | 115860 | Clip – Snap Int. | 14 39 3 |
| 109500 | Fitting – Grease | 15 14 2 | 115877 | Battery – 280 CCA | 14 10 1 |
| 109530 | Nut – Pal | 11 22 1 | 115882 | Ring – Retaining | 15 19 2 |
| 109553 | Boot | 14 2 1 | 116029 | Bracket – Muffler | 11 41 1 |
| 109859 | Bushing | 10 12 2 | 116030 | Muffler | 11 40 1 |
| 109950 | Spacer | 10 13 1 | 116064 | Fender – RH | 13 21 1 |
| 109966 | Bearing | 10 17 2 | 116065 | Fender – LH | 13 * 1 |
| 110459 | Connector | 10 39 1 | 116112 | Arm | 4 5 2 |
| 110513 | Bearing – Front Wheel | 15 15 4 | 116113 | Bracket – LH | 4 * 1 |
| 110769 | Spring – Extension | 3 10 1 | 116114 | Bracket – RH | 4 3 1 |
| 111075 | Cable | 14 1 2 | 116154 | Nut | 14 33 2 |
| 111392 | "J"Clip | 11 13 3 | 116159 | Nipple | 11 31 1 |
| 111420 | Fitting – Grease | 10 11 1 | 116183 | VBelt | 10 42 1 |
| 111951 | Cap – Hub Rear | 15 20 2 | 116184 | Pulley | 10 19 1 |
| 112113 | Spring | 4 9 2 | 116194 | Switch – Seat | 14 18 1 |
| 112595 | Button | 7 13 2 | 116195 | Spring | 12 9 1 |
| 112600 | Ring – Retaining | 7 8 2 | 116196 | Bracket | 4 11 1 |
| 112604 | Seal – Input Shaft | 7 6 2 | 116237 | Switch – Neutral | 14 12 1 |
| 112605 | Seal – Control Shaft | 7 5 2 | 116238 | Nut | 14 19 1 |
| 112841 | Cap | 37 34 1 | 116239 | Bracket – Retainer | 4 39 2 |
| 112843 | Washer | 10 9 1 | 116244 | Rod – Lock | 1 35 2 |
| 112845 | Decal – PTO Clutch | 16 4 1 | 116245 | Latch – LH | 1 20 1 |
| 113010 | Down – Hold | 14 9 1 | 116246 | Latch – RH | 1 37 1 |

*Not Illustrated

TORO PART NUMBER INDEX (Cont.)

3317-833

| Part No. | Description | Pg. Ref. No. No. Qty. | Part No. | Description | Pg. Ref. No. No. Qty. |
|----------|----------------------------|--------------------------|----------|----------------------------|--------------------------|
| 116253 | Plate | 10 30 1 | 943420 | Plug - Pipe | 11 33 1 |
| 116258 | Bracket - Support | 3 39 1 | 971015 | "O"Ring | 10 41 1 |
| 116259 | Shaft - Pivot | 4 36 2 | 9080066 | Bolt | 4 18 2 |
| 116263 | Bracket - Side | 5 51 2 | 9151834 | Nut - Square | 3 22 1 |
| 116264 | Spacer | 3 38 1 | 9202414 | Washer - Spacer | 10 16 2 |
| 116267 | Lock - Neutral | 3 37 1 | 9202424 | Spacer | 14 28 1 |
| 116277 | Electric Clutch Assembly | 10 7 1 | 9202514 | Washer | 15 7 2 |
| 116289 | Control - Choke | 11 20 1 | 9202514 | Washer | 1 10 2 |
| 116330 | Bracket - RH | 1 36 1 | 9202524 | Washer | 15 6 2 |
| 116331 | Bracket - LH | 1 18 1 | 9202674 | Washer - Special | 2 28 4 |
| 116363 | Fuel Tank Assembly | 11 4 1 | 9202734 | Washer - Special | 14 35 1 |
| 116393 | Grip | 3 1 1 | 9266984 | Bolt | 4 15 2 |
| 116397 | Relay | 14 22 1 | 9267154 | Screw | 4 42 4 |
| 116422 | Bracket | 10 1 1 | 9321204 | Pin - Clevis | 1 30 2 |
| 116439 | Pulley - Idler | 2 17 1 | 9321204 | Pin - Clevis | 4 30 2 |
| 116454 | Knob | 11 29 1 | 9321214 | Pin - Clevis | 3 35 1 |
| 116455 | Mat - Black | 13 13 1 | 9335034 | Pin - Cotter | 4 31 2 |
| 116456 | Rivet - Carpet Plastic | 13 12 28 | 9335044 | Pin - Cotter | 1 31 2 |
| 116476 | Rod - Neutral Lock | 3 32 1 | NN10007 | Bearing - Up Crankshaft | 19 * 1 |
| 116504 | Plate - Pivot | 12 14 1 | NN10010 | Bearing - Low Crankshaft | 25 * 2 |
| 116505 | Bracket | 2 1 1 | NN10012 | Bearing - Low Crankshaft | 25 * 2 |
| 116506 | Spring | 2 4 1 | NN10013 | Bearing - Low Crankshaft | 25 * 2 |
| 116527 | Belt - PTO | 2 22 1 | NN10032 | Camshaft - w/Center Pin | 23 11 1 |
| 116531 | Washer | 2 15 1 | NN10033 | Camshaft - w/Center Pin | 23 * 1 |
| 116531 | Washer | 11 50 2 | NN10054 | Insert - Exhaust Seat, Std | 19 8 2 |
| 116572 | Bracket - Seat Pivot, R.H. | 12 21 1 | NN10055 | Insert - Exhaust Seat | 19 * 2 |
| 116573 | Bracket - Seat Pivot, L.H. | 12 * 1 | NN10056 | Insert - Exhaust Seat | 19 * 2 |
| 116687 | Arm | 3 6 1 | NN10057 | Insert - Exhaust Seat | 19 * 2 |
| 116708 | Guard - Air Cleaner | 11 34 1 | NN10058 | Insert - Exhaust Seat | 19 * 2 |
| 116716 | Switch - PTO | 14 26 1 | NN10075 | Valve - Intake | 19 25 2 |
| 116718 | Stiffener | 2 7 1 | NN10076 | Valve - Exhaust | 19 26 2 |
| 116721 | Arm - Idler | 2 5 1 | NN10077 | Spring - Valve | 19 28 4 |
| 116727 | Rod - Neutral Return | 4 6 2 | NN10078 | Retainer - Spring | 19 33 4 |
| 116728 | Spacer | 2 13 1 | NN10079 | Head - Left Cylinder | 19 * 1 |
| 116731 | Lever - Steering, LH | 4 * 1 | NN10081 | Cap - Valve | 19 37 4 |
| 116732 | Lever - Steering, RH | 4 32 1 | NN10082 | Lock | 19 29 8 |
| 116792 | Spring - Extension | 3 45 1 | NN10089 | Retaining Rings - Pin | 19 * 2 |
| 116819 | Knob | 12 26 2 | NN10092 | Retaining Rings - Pin | 19 * 2 |
| 116880 | Tire - Rear 18 x 9.50-8 | 15 2 2 | NN10093 | Retaining Rings - Pin | 19 * 2 |
| 117048 | Key - Ignition | 14 36 1 | NN10100 | Pin - Piston | 19 47 2 |
| 117193 | Field Assembly | 10 35 1 | NN10102 | Set - Piston Ring | 21 * 2 |
| 117194 | Rotor | 10 34 1 | NN10105 | Set - Piston Ring | 21 * 2 |
| 117195 | Armature Assembly | 10 36 1 | NN10106 | Set - Piston Ring | 21 * 2 |
| 117276 | Front Wheel Assembly | 15 9 2 | NN10125 | Connecting Rod | 21 50 2 |
| 117278 | Front Wheel Assembly | 15 10 2 | NN10126 | Connecting Rod | 21 * 2 |
| 117280 | Rear Wheel Assembly | 15 1 2 | NN10127 | Connecting Rod | 21 * 2 |
| 117281 | Wheel - Rear | 15 3 2 | NN10128 | Connecting Rod | 21 * 2 |
| 117292 | Switch - Ignition | 14 32 1 | NN10130 | Tappet - .002 Oversize | 19 * 4 |
| 117391 | Tire - Front 11 x 4.00-5 | 15 11 2 | NN10131 | Tappet - .005 Oversize | 19 * 4 |
| 117455 | Bumper - Front | 1 2 1 | NN10141 | Adapter | 27 2 1 |
| 117670 | Support - Lever | 4 44 1 | NN10143 | Filter - Oil | 27 7 2 |
| 118530 | Nameplate - Toro | 16 6 1 | NN10171 | Flywheel - w/Ring Gear | 23 15 1 |
| 118940 | Pan - Floor | 13 14 1 | NN10199 | Jet - Power | 35 4 1 |
| 119050 | Decal - Power Plus 616-Z | 17 2 1 | NN10201 | Jet - Idle | 35 3 1 |
| 119270 | Pulley - Engine | 10 43 1 | NN10206 | Kit - Repair | 33 12 1 |
| 121290 | Shield | 1 15 1 | NN10207 | Kit - Choke Shaft | 35 1 1 |
| 920160 | Washer - Lock | 14 20 1 | NN10209 | Kit - Float | 35 10 1 |
| 920163 | Washer - Lock | 14 34 1 | NN10245 | Coil - Ignition | 37 28 1 |
| 932948 | Pin - Clevis | 3 27 1 | NN10247 | Rotor | 29 28 1 |
| 937082 | Key - Woodruff | 4 20 2 | NN10248 | Nut - Positive Terminal M4 | 29 32 1 |
| 937086 | Key - Woodruff | 2 32 2 | NN10249 | Nut - Negative Terminal M5 | 29 31 1 |
| 938031 | Bushing | 11 17 2 | NN10253 | Wire - Plug | 29 30 1 |
| 938037 | Bushing | 13 22 2 | NN10254 | Wire - Plug | 29 * 1 |

*Not Illustrated

TORO PART NUMBER INDEX (Cont.)

| Part No. | Description | Pg. No. | Ref. No. | Qty. | Part No. | Description | Pg. No. | Ref. No. | Qty. |
|----------|---------------------------|---------|----------|------|----------|-------------------------|---------|----------|------|
| NN10265 | Kit – Hardware | 38 | 11 | 1 | NN10503 | Element – Foam | 31 | 5 | 1 |
| NN10276 | Condenser | 37 | 29 | 1 | NN10504 | Carburetor – 616-Z | 33 | 10 | 1 |
| NN10277 | Fuse 30 AMP | 14 | * | 1 | NN10505 | Pump – Fuel | 37 | 22 | 1 |
| NN10291 | Lead – Terminal | 29 | 18 | 2 | NN10509 | Rod | 33 | 5 | 1 |
| NN10302 | Hose | 33 | 27 | 1 | NN10510 | Shaft and Arm | 29 | 3 | 1 |
| NN10302 | Hose 11 | 37 | 23 | 1 | NN10514 | Manifold | 33 | 4 | 1 |
| NN10332 | Key – Flywheel | 23 | 23 | 1 | NN10515 | Plate | 29 | 24 | 1 |
| NN10334 | Pin – Stop | 19 | 6 | 2 | NN10516 | Insulator | 29 | 22 | 1 |
| NN10334 | Screw | 25 | 3 | 2 | NN10519 | Starter Assy | 38 | 1 | 1 |
| NN10335 | Pin – Dowel | 29 | 6 | 1 | NN10522 | Clip | 37 | 26 | 1 |
| NN10336 | Pin | 19 | 13 | 2 | NN10524 | Bracket | 23 | 24 | 1 |
| NN10340 | Plug | 37 | 31 | 1 | NN10525 | Clamp – Hose | 19 | 19 | 2 |
| NN10348 | Clip | 37 | 6 | 1 | NN10527 | Hose | 33 | 30 | 1 |
| NN10348 | Clip | 29 | 33 | 1 | NN10529 | Hose | 19 | 20 | 1 |
| NN10352 | Stud | 29 | 14 | 1 | NN10530 | Seal – Oil | 21 | * | |
| NN10368 | Bolt | 29 | 26 | 2 | NN10530 | Seal – Oil | 25 | 4 | 1 |
| NN10369 | Bolt | 19 | 42 | 2 | NN10531 | "O"Ring | 21 | * | |
| NN10370 | Bolt | 19 | 27 | 2 | NN10531 | "O"Ring | 25 | 14 | 2 |
| NN10373 | Bolt | 27 | 5 | 2 | NN10532 | Seal – Inner | 25 | 15 | 1 |
| NN10375 | Bolt | 33 | 1 | 4 | NN10532 | Seal – Oil, Inner | 21 | * | |
| NN10376 | Bolt | 38 | 10 | 2 | NN10533 | Seal – Oil, Outer | 21 | * | |
| NN10381 | Bolt | 19 | 35 | 18 | NN10533 | Seal – Outer | 25 | 16 | 1 |
| NN10389 | Bolt | 29 | 19 | 3 | NN10534 | Bearing – Ball | 25 | 7 | 1 |
| NN10391 | Bolt | 27 | 3 | 1 | NN10535 | Plug | 19 | 21 | 1 |
| NN10394 | Bolt | 29 | 20 | 2 | NN10536 | Plug | 19 | 2 | 1 |
| NN10407 | Screw | 25 | 31 | 1 | NN10538 | Clip | 33 | 6 | 1 |
| NN10408 | Bolt | 37 | 30 | 2 | NN10539 | Ring – Retaining | 25 | 5 | 1 |
| NN10409 | Bolt | 23 | 19 | 6 | NN10540 | Washer | 25 | 17 | 5 |
| NN10410 | Bolt | 33 | 23 | 1 | NN10541 | Washer | 23 | 17 | 1 |
| NN10412 | Bolt | 33 | 19 | 1 | NN10542 | Washer | 29 | 27 | 2 |
| NN10417 | Bolt | 37 | 7 | 2 | NN10542 | Washer | 19 | 41 | 2 |
| NN10420 | Washer | 33 | 9 | 2 | NN10543 | Washer | 33 | 2 | 4 |
| NN10424 | Washer – Lock | 29 | 21 | 2 | NN10544 | Bolt | 33 | 8 | 2 |
| NN10424 | Washer – Lock | 33 | 21 | 1 | NN10546 | Screw | 25 | 19 | 9 |
| NN10427 | Nut – Wing | 31 | 1 | 2 | NN10547 | Screw | 31 | 8 | 1 |
| NN10430 | Nut | 29 | 13 | 1 | NN10549 | Gasket | 29 | 10 | 1 |
| NN10431 | Nut – Speed | 25 | 32 | 1 | NN10551 | Guard | 37 | 32 | 1 |
| NN10444 | Control – Ignition | 29 | 15 | 1 | NN10559 | Kit – Gearcase | 29 | 1 | 1 |
| NN10466 | Filter – Fuel | 33 | 28 | 1 | NN10560 | Pump – Oil | 19 | 39 | 1 |
| NN10474 | Gasket | 25 | 10 | 1 | NN10682 | Plug | 25 | 8 | 3 |
| NN10474 | Gasket – Base Oil | 21 | * | | NN10766 | Block – Short 16HP | 19 | 1 | 1 |
| NN10475 | Cover | 25 | 9 | 1 | NN10784 | Bolt | 37 | 14 | 1 |
| NN10477 | Crankshaft – 616-Z | 23 | 1 | 1 | NN10784 | Bolt | 33 | 25 | 1 |
| NN10478 | Guide – Intake Valve | 19 | 11 | 2 | NN10789 | Clamp | 33 | 29 | 3 |
| NN10479 | Guide – Exhaust Valve | 19 | 12 | 2 | NN10794 | Regulator – Voltage | 37 | 27 | 1 |
| NN10480 | Cooler – Oil | 25 | 23 | 1 | NN10798 | Plug | 27 | 9 | 1 |
| NN10481 | Cover – Valve | 19 | 22 | 2 | NN10807 | Kit – Carburetor Repair | 35 | 7 | 1 |
| NN10482 | Tube – Pickup | 25 | 11 | 1 | NN10808 | Solenoid | 35 | 5 | 1 |
| NN10483 | Spring – Pickup | 25 | 12 | 1 | NN10809 | Kit – Choke Lever | 35 | 2 | 1 |
| NN10485 | Cup – Pickup | 25 | 13 | 1 | NN10810 | Jet – Fixed | 35 | * | 1 |
| NN10487 | Drain – Oil | 27 | 4 | 1 | NN10810 | Jet – Power, High Alt | 35 | 6 | 1 |
| NN10488 | Seal | 27 | 6 | 1 | NN10811 | Kit – Throttle Shaft | 35 | 9 | 1 |
| NN10488 | Seal – Oil Filter – Drain | 21 | * | | NN10862 | Housing – Blower | 37 | 1 | 1 |
| NN10489 | Tube – Breather | 19 | 16 | 1 | NN10863 | Cable Tie | 37 | 9 | 2 |
| NN10490 | Indicator – Oil Level | 25 | 26 | 1 | NN10864 | Screw | 37 | 33 | 4 |
| NN10491 | Tube | 25 | 28 | 1 | NN10865 | Spring – Governor Rod | 33 | 11 | 1 |
| NN10492 | Bracket | 25 | 29 | 1 | NN10867 | Base – Oil | 25 | 1 | 1 |
| NN10493 | Tube | 31 | 3 | 1 | NN10898 | Bracket | 37 | 13 | 1 |
| NN10494 | Adapter – Breather | 19 | 17 | 1 | NN10917 | Crankshaft – 620-Z | 23 | * | 1 |
| NN10495 | Bracket | 19 | 18 | 1 | 47-2966 | Hose 5 | 11 | 11 | 1 |
| NN10498 | Baffle | 25 | 25 | 1 | 47-2968 | Hose – 18 Fuel | 11 | 18 | 1 |
| NN10499 | Pan | 31 | 9 | 1 | 55-3570 | Cap – Tank | 11 | 30 | 1 |
| NN10500 | Cover | 31 | 4 | 1 | 57-8000 | Bearing – Camshaft | 19 | 5 | 2 |

*Not Illustrated

TORO PART NUMBER INDEX (Cont.)

3317-833

| Part No. | Description | Pg. No. | Ref. No. | Qty. | Part No. | Description | Pg. No. | Ref. No. | Qty. |
|----------|---------------------------|---------|----------|------|----------|-----------------------------|---------|----------|------|
| 57-8020 | Bearing - Up Crankshaft | 19 | 10 | 1 | 57-9660 | Key - Woodruff | 23 | 10 | 1 |
| 57-8030 | Bearing - Up Crankshaft | 19 | * | 1 | 57-9700 | Clip - Retaining | 29 | 23 | 1 |
| 57-8050 | Bearing - Low Crankshaft | 25 | 2 | 2 | 57-9710 | Ring - Retaining | 23 | 2 | 1 |
| 57-8060 | Bearing - Low Crankshaft | 25 | | 2 | 57-9720 | Ring - Retaining | 19 | 48 | 4 |
| 57-8090 | Gasket | 25 | 22 | 1 | 57-9740 | Washer - Copper | 19 | 36 | 2 |
| 57-8090 | Gasket Oil Base | 21 | * | | 57-9750 | Washer | 27 | 8 | 2 |
| 57-8130 | Gear - Crankshaft | 23 | 4 | 1 | 57-9750 | Washer | 29 | 12 | 5 |
| 57-8140 | Washer - Special | 23 | 3 | 1 | 57-9760 | Washer - Copper | 19 | 44 | 1 |
| 57-8150 | Screw - Special Cap | 23 | 16 | 1 | 57-9770 | Washer | 19 | 34 | 18 |
| 57-8160 | Washer | 19 | 4 | 2 | 57-9770 | Washer | 38 | 9 | 2 |
| 57-8170 | Shim 0.005 | 19 | 3 | AR | 57-9790 | Nut - Rod | 21 | 52 | 2 |
| 57-8180 | Gear - Ring | 23 | 22 | 1 | 57-9800 | Bearing - Up Crankshaft | 19 | * | 1 |
| 57-8210 | Gear - Camshaft w/Spacer | 23 | 12 | 1 | 59-0180 | Head - Right Cylinder | 19 | 32 | 1 |
| 57-8230 | Washer - Special Thrust | 23 | 13 | 1 | 59-0250 | Connecting Rod | 21 | * | 2 |
| 57-8260 | Gasket | 19 | 23 | 2 | 59-0280 | Spring | 25 | 6 | 1 |
| 57-8280 | Gasket Valve Cover | 21 | * | | 59-0280 | Spring | 19 | 45 | 1 |
| 57-8330 | Gasket | 19 | 31 | 2 | 59-0290 | Tube - Oil | 19 | 7 | 1 |
| 57-8330 | Gasket Cylinder Head | 21 | * | | 59-0360 | Tube - Vacuum | 19 | 15 | 1 |
| 57-8350 | Retaining Rings - Pin | 19 | 46 | 2 | 59-0370 | Cap | 37 | 21 | 1 |
| 57-8360 | Retaining Rings - Pin | 19 | * | 2 | 59-0400 | Pin - Center | 23 | 14 | 1 |
| 57-8370 | Retaining Rings - Pin | 19 | * | 2 | 59-0420 | Yoke | 29 | 4 | 1 |
| 57-8380 | Set - Piston Ring | 21 | 49 | 2 | 59-0430 | Spring | 37 | 16 | 1 |
| 57-8390 | Set - Piston Ring | 21 | * | 2 | 59-0450 | Cup - Governor | 23 | 8 | 1 |
| 57-8400 | Set - Piston Ring | 21 | * | 2 | 59-0460 | Lever | 33 | 16 | 1 |
| 57-8410 | Bolt - Rod | 21 | 51 | 4 | 59-0470 | Bracket | 33 | 18 | 1 |
| 57-8420 | Connecting Rod | 21 | * | 2 | 59-0720 | Pin - Cotter | 33 | 24 | 1 |
| 57-8430 | Connecting Rod | 21 | * | 2 | 59-0760 | Plug | 19 | 14 | 1 |
| 57-8440 | Connecting Rod | 21 | * | 2 | 59-0810 | Washer | 23 | 18 | 1 |
| 57-8450 | Tappet - Std | 19 | 24 | 4 | 59-0820 | Washer | 37 | 10 | 4 |
| 57-8460 | Kit - Gasket - Oil Pump | 21 | * | | 59-0830 | Washer | 37 | 19 | 2 |
| 57-8460 | Kit - Oil Pump Gasket | 19 | 40 | 1 | 59-0850 | Washer | 33 | 15 | 1 |
| 57-9090 | Ring - Retaining | 23 | 6 | 1 | 59-0860 | Washer | 25 | 33 | 4 |
| 57-9100 | Spring | 37 | 11 | 1 | 59-0910 | Bolt | 19 | 43 | 1 |
| 57-9120 | Bushing | 37 | 20 | 1 | 59-0950 | Screw | 29 | 5 | 2 |
| 57-9130 | Hub - Governor Cup | 23 | 7 | 1 | 59-0970 | Bolt | 37 | 2 | 2 |
| 57-9140 | Arm | 37 | 17 | 1 | 59-0970 | Screw | 25 | 24 | 2 |
| 57-9170 | Swivel | 33 | 22 | 1 | 59-0980 | Bolt | 37 | 8 | 4 |
| 57-9180 | Link | 33 | 17 | 1 | 59-0980 | Screw | 25 | 20 | 19 |
| 57-9190 | Clamp | 37 | 12 | 1 | 59-1010 | Bolt | 37 | 18 | 2 |
| 57-9190 | Clamp | 33 | 26 | 1 | 59-1020 | Bolt | 33 | 20 | 1 |
| 57-9200 | Gasket | 33 | 3 | 2 | 59-1030 | Bolt | 37 | 15 | 1 |
| 57-9200 | Gasket | 33 | 7 | 1 | 59-1050 | Screw | 37 | 25 | 2 |
| 57-9200 | Gasket - Carburetor | 21 | * | | 59-1080 | Bolt | 37 | 5 | 5 |
| 57-9210 | Gasket - Exhaust | 11 | 47 | 2 | 59-1120 | Bolt | 23 | 20 | 4 |
| 57-9210 | Gasket - Exhaust Manifold | 21 | * | | 59-1130 | Nut | 29 | 16 | 1 |
| 57-9260 | Gasket | 29 | 25 | 1 | 62-2720 | Kit - Starter Solenoid | 38 | 2 | 1 |
| 57-9260 | Gasket - Plate | 21 | * | | 62-2740 | Kit - Brush | 38 | 5 | 1 |
| 57-9340 | Plug - Spark | 29 | 29 | 2 | 62-2750 | Holder - Brush | 38 | 4 | 1 |
| 57-9360 | Bearing - Up Crankshaft | 19 | * | 1 | 62-2770 | Kit - Starter Shift Lever | 38 | 6 | 1 |
| 57-9370 | Kit - Valve Grind Gasket | 19 | * | 1 | 71-5980 | Gasket - Intake Manifold | 21 | * | |
| 57-9440 | Stator - with Terminals | 29 | 17 | 1 | 71-6170 | Seal | 25 | 30 | 1 |
| 57-9550 | Clamp | 37 | 24 | 4 | 71-6170 | Seal - Oil Fill Tube | 21 | * | |
| 57-9570 | Seal - Governor Shaft | 21 | * | | 71-6180 | Seal | 19 | 30 | 2 |
| 57-9570 | Seal - Oil | 29 | 7 | 1 | 71-6180 | Seal - Valve Intake | 21 | * | |
| 57-9580 | Seal - Crankshaft Front | 21 | * | | 71-6360 | Gasket - Gearcase | 21 | * | |
| 57-9580 | Seal - Oil | 29 | 9 | 1 | 71-6470 | Gasket - Adapter Oil Filter | 21 | * | |
| 57-9610 | "O"Ring | 25 | 27 | 1 | 72-3940 | Clutch - Starter | 38 | 7 | 1 |
| 57-9610 | "O"Ring - Cap Fill Tube | 21 | * | | 72-3950 | Seal - Dust | 38 | 8 | 1 |
| 57-9620 | "O"Ring | 21 | * | | 74-0720 | Tube - Manual | 12 | 30 | 1 |
| 57-9630 | Bearing | 29 | 8 | 1 | 76-1340 | Decal - Made in U.S.A. | 17 | 5 | 1 |
| 57-9640 | Ball - Governor | 23 | 9 | 5 | 78-0020 | Hourmeter - Assembly | 14 | 15 | 1 |
| 57-9650 | Bearing | 29 | 2 | 1 | 78-0390 | Rod - Upper Brake | 3 | 7 | 1 |
| 57-9660 | Key - Gear | 23 | 5 | 1 | 78-2740 | Washer - Lock | 12 | 24 | 2 |

*Not Illustrated

TORO PART NUMBER INDEX (Cont.)

| Part No. | Description | Pg. No. | Ref. No. | Qty. | Part No. | Description | Pg. No. | Ref. No. | Qty. |
|----------|---------------------------|---------|----------|------|----------|------------------------|---------|----------|------|
| 78-2760 | Pulley - Transmission | 2 | 33 | 2 | 88-2440 | Ring - Retaining | 7 | 30 | 6 |
| 78-2790 | Control - Throttle | 11 | 26 | 1 | 88-2450 | Rod - Push | 7 | 31 | 2 |
| 78-2850 | Decal - Control | 16 | 5 | 1 | 88-2460 | Seal - Quad | 7 | 32 | 2 |
| 78-3320 | Clamp - Hourmeter | 14 | 43 | 1 | 88-2470 | Spring - Dump Valve | 7 | 33 | 2 |
| 78-5840 | Harness - Wiring | 14 | 11 | 1 | 88-2480 | Bracket - Dump Valve | 7 | 34 | 2 |
| 78-5840 | Wire Harness, Main | 39 | 1 | 1 | 88-2490 | "O"Ring - Seal | 7 | 35 | 2 |
| 78-7400 | Decal - Power Plus 620-Z | 17 | * | 1 | 88-2500 | Gasket - Filter | 7 | 36 | 1 |
| 78-7410 | Washer | 15 | 18 | 4 | 88-2510 | Filter | 7 | 37 | 2 |
| 79-1080 | Cover | 2 | 40 | 2 | 88-2520 | Cover - Valve | 7 | 38 | 2 |
| 79-1440 | Arm - Control, RH | 4 | 17 | 1 | 88-2530 | Screw - Hex. Hd. | 7 | 39 | 11 |
| 79-1450 | Arm - Control, LH | 4 | * | 1 | 88-2570 | Bearing - Ball | 9 | 2 | 2 |
| 79-1780 | Spring - Torsion | 3 | 25 | 1 | 88-2580 | Seal - Radial Lip | 9 | 3 | 2 |
| 79-2000 | Key | 15 | 4 | 2 | 88-2590 | Shaft - Axle | 9 | 4 | 2 |
| 79-2110 | Clamp - Hose | 2 | 50 | 1 | 88-2600 | Ring - Retaining | 9 | 5 | 4 |
| 79-2290 | Cover | 13 | 1 | 1 | 88-2610 | Washer - Thrust | 9 | 6 | 4 |
| 79-2310 | Rod - Lower | 3 | 17 | 1 | 88-2620 | Housing - Axle | 9 | 7 | 2 |
| 79-2320 | Yoke - Adjuster | 3 | 23 | 1 | 88-2640 | Gasket - Axle Housing | 9 | 17 | 2 |
| 79-2330 | Bracket | 2 | 41 | 1 | 88-2660 | Plate - Backup | 9 | 8 | 2 |
| 79-2340 | Shaft - Brake | 3 | 18 | 1 | 88-2670 | Gear - Ring, 57 Tooth | 9 | 10 | 4 |
| 79-2350 | Transaxle Assembly | 2 | 23 | 1 | 88-2680 | Gear - First, 15 Tooth | 9 | 11 | 2 |
| 79-2360 | Hose - 7 | 2 | 47 | 3 | 88-2690 | Gear - Planet First | 9 | 13 | 6 |
| 79-2380 | Clamp | 2 | 48 | 5 | 88-2790 | Decal - Danger | 17 | 4 | 1 |
| 79-2410 | Fitting - Tee | 2 | 51 | 1 | 88-2800 | Carrier Primary | 9 | 12 | 2 |
| 79-3500 | Reservoir w/Gasket | 2 | 38 | 2 | 88-2810 | Gear - Second | 9 | 16 | 6 |
| 79-5230 | Engine - 16HP | 11 | 1 | 1 | 88-2810 | Gear - Second | 9 | 14 | 2 |
| 79-5960 | Support - Seat | 13 | 18 | 1 | 88-2820 | Gear - Second | 9 | 15 | 6 |
| 79-5970 | Plate - Hitch | 1 | 27 | 2 | 88-2840 | Screw | 9 | 28 | 16 |
| 79-5990 | Fork - Front Wheel, LH | 1 | 6 | 1 | 88-2930 | Shaft - Control | 7 | 1 | 2 |
| 79-6000 | Fork - Front Wheel, RH | 1 | 38 | 1 | 88-2940 | Housing | 7 | 40 | 2 |
| 79-6230 | Insert - Intake Seat, Std | 19 | 9 | 2 | 88-2950 | Piston Assembly | 7 | 41 | 4 |
| 79-6240 | Insert - Intake Seat | 19 | * | 2 | 88-2960 | Seal - "O"Ring | 7 | 42 | 1 |
| 79-6250 | Insert - Intake Seat | 19 | * | 2 | 88-2970 | Seal - Cup | 7 | 43 | 1 |
| 79-6260 | Insert - Intake Seat | 19 | * | 2 | 88-2980 | Washer | 7 | 45 | 1 |
| 79-6270 | Insert - Intake Seat | 19 | * | 2 | 88-2990 | Plug | 7 | 46 | 1 |
| 79-6300 | Spring - Brush | 38 | 3 | 3 | 88-3000 | "O"Ring | 9 | 24 | 1 |
| 79-6440 | Screen - Air Inlet | 23 | 21 | 1 | 88-3000 | "O"Ring - Seal | 7 | 47 | 1 |
| 79-6470 | Gasket | 27 | 1 | 1 | 88-3010 | "O"Ring - Seal | 7 | 48 | 1 |
| 79-7500 | Spring - Hose | 2 | 49 | 3 | 88-3020 | Ring - Backup | 7 | 49 | 1 |
| 82-1410 | Bolt | 29 | 11 | 4 | 88-3030 | Rod - Push | 7 | 50 | 1 |
| 88-1340 | Shim - .020 | 7 | *A/R | | 88-3050 | Axle Housing Assembly | 9 | * | 1 |
| 88-2210 | Cover Assembly | 7 | 2 | 2 | 88-3060 | Plate - Reaction | 9 | 9 | 2 |
| 88-2220 | Cover | 7 | 3 | 2 | 88-3070 | Nut | 9 | 18 | 4 |
| 88-2230 | Screw | 7 | 4 | 26 | 88-3080 | Washer - Lock | 9 | 19 | 4 |
| 88-2240 | Shaft - Input | 7 | 7 | 1 | 88-3090 | Flange | 9 | 20 | 2 |
| 88-2250 | Plug Assembly | 7 | 9 | 2 | 88-3100 | Screw | 9 | 21 | 16 |
| 88-2260 | Seal - "O"Ring | 7 | 10 | 6 | 88-3110 | Screw | 9 | 22 | 4 |
| 88-2270 | Fitting 90° | 7 | 11 | 2 | 88-3120 | Plug | 9 | 23 | 1 |
| 88-2280 | Gasket - Cover | 7 | 12 | 4 | 88-3130 | Housing Assembly | 9 | 25 | 1 |
| 88-2290 | Drive - Roto Ball | 7 | 14 | 2 | 88-3150 | Transmission 1/2 L.H. | 9 | * | 1 |
| 88-2300 | Pump Assembly, | 7 | 15 | 2 | 88-3160 | Transmission 1/2 R.H. | 9 | * | 1 |
| 88-2310 | Insert | 7 | 16 | 2 | 88-3210 | Seat 616-Z | 12 | * | 1 |
| 88-2320 | Ring Assembly - Cam | 7 | 17 | 2 | 88-3220 | Seat 620-Z | 12 | 11 | 1 |
| 88-2340 | Motor Assembly | 7 | 20 | 4 | 92-0901 | Retaining Rings - Pin | 19 | * | 2 |
| 88-2340 | Nut - Assembly | 7 | 19 | 2 | 92-0902 | Retaining Rings - Pin | 19 | * | 2 |
| 88-2350 | Pad - Friction | 7 | 21 | 4 | 92-0903 | Retaining Rings - Pin | 19 | * | 2 |
| 88-2360 | Nut - Lock | 7 | 22 | 1 | 92-0904 | Retaining Rings - Pin | 19 | * | 2 |
| 88-2370 | Lever - Brake, R.H. | 7 | 23 | 1 | 92-0905 | Set - Piston Ring | 21 | * | 2 |
| 88-2380 | Shim - .020 | 7 | 24A/R | | 92-0906 | Set - Piston Ring | 21 | * | 2 |
| 88-2390 | Lever - Brake, L.H. | 7 | 25 | 1 | 92-0907 | Set - Piston Ring | 21 | * | 2 |
| 88-2400 | Screw - Hex. Hd. | 7 | 26 | 1 | 92-0908 | Set - Piston Ring | 21 | * | 2 |
| 88-2410 | Shaft - Brake | 7 | 27 | 1 | 92-0909 | Set - Piston Ring | 21 | * | 2 |
| 88-2420 | Spring - Conical, | 7 | 28 | 4 | 92-0951 | Block - Short 20 HP | 19 | | 1 |
| 88-2430 | Base - Spring | 7 | 29 | 2 | 92-0952 | Retaining Rings - Pin | 19 | * | 2 |

*Not Illustrated

TORO PART NUMBER INDEX (Cont.)

3317-833

| Part No. | Description | Pg. Ref. No. No. Qty. | Part No. | Description | Pg. Ref. No. No. Qty. |
|----------|---------------------------|--------------------------|----------|------------------|--------------------------|
| 92-0955 | Hood | 31 2 1 | 322-10 | Bolt | 2 14 1 |
| 92-0956 | Element - Paper | 31 6 1 | 323-6 | Screw - Hex. Hd. | 5 54 2 |
| 92-0957 | Housing - Cylinder, LH | 37 3 1 | 323-6 | Screw - Hex. Hd. | 1 3 4 |
| 92-0958 | Housing - Cylinder, RH | 37 4 1 | 323-6 | Screw - Hex. Hd. | 2 18 1 |
| 92-0986 | Bracket - L.H. Arm | 12 8 1 | 323-7 | Bolt | 10 31 1 |
| 92-0987 | Bracket - R.H. Arm | 12 7 1 | 323-10 | Bolt | 4 26 2 |
| 92-0988 | Armrest | 12 1 2 | 323-11 | Bolt | 3 13 1 |
| 92-0989 | Screw | 12 3 2 | 323-15 | Bolt | 10 15 1 |
| 92-0990 | Screw | 12 5 2 | 323-16 | Bolt | 10 22 1 |
| 92-0991 | Nut - Lock Acorn | 12 4 2 | 323-20 | Bolt | 2 24 4 |
| 92-0992 | Screw | 12 2 6 | 3212-11 | Bolt | 10 8 1 |
| 92-0993 | Spacer | 12 6 4 | 3217-6 | Nut | 12 22 1 |
| 92-1714 | Bushing - Flange | 1 7 4 | 3217-6 | Nut - Jam | 3 24 1 |
| 92-1758 | Frame | 1 1 1 | 3217-27 | Nut - Hex. | 14 17 2 |
| 92-1784 | Decal - Zero Turn | 17 1 1 | 3218-3 | Nut - Lock | 4 7 4 |
| 92-2500 | Decal - Danger | 16 3 1 | 3218-5 | Nut - Lock | 4 34 2 |
| 92-2504 | Decal - Danger | 16 2 1 | 3220-1 | Nut - Jam | 4 28 2 |
| 92-2507 | Decal - Toro 616-Z | 17 7 1 | 3220-2 | Nut - Jam | 3 33 1 |
| 92-2508 | Decal - Toro 620-Z | 17 8 1 | 3230-1 | Bolt - Carriage | 13 17 2 |
| 92-2510 | Decal - Rear | 17 6 1 | 3231-2 | Bolt - Carriage | 1 24 2 |
| 92-4951 | Decal - Steering Speed | 16 7 1 | 3231-25 | Bolt - Carriage | 12 28 2 |
| 92-4952 | Decal - Steering Speed | 16 8 1 | 3231-25 | Bolt - Carriage | 1 28 4 |
| 92-6519 | Grip | 4 47 2 | 3234-5 | Screw | 13 11 6 |
| 92-8747 | Decal - Attach-A-Matic | 17 3 2 | 3250-23 | Screw - Machine | 14 13 2 |
| 93-9815 | Kit - Engine Gasket | 19 38 1 | 3253-3 | Washer - Lock | 11 36 3 |
| 93-9815 | Kit - Gasket, Engine | 21 * | 3253-3 | Washer - Lock | 2 36 2 |
| 93-9817 | Rotor & Armature Assembly | 10 * 1 | 3253-4 | Washer | 13 15 4 |
| 94-1813 | Engine - 20HP | 11 * 1 | 3253-4 | Washer - Lock | 11 6 4 |
| 94-1843 | Kit - Float & Gasket | 33 + 1 | 3253-4 | Washer - Lock | 11 48 4 |
| 94-1844 | Kit - Accelerator | 33 + 1 | 3253-15 | Washer - Lock | 14 44 2 |
| 94-6403 | Support - Hood | 31 7 1 | 3256-2 | Washer | 4 19 2 |
| 94-6404 | Kit - Carburetor - 620-Z | 33 + 1 | 3256-2 | Washer | 3 41 2 |
| 94-6405 | Jet - Main, Fixed | 33 + 1 | 3256-3 | Washer | 13 4 4 |
| 94-6406 | Wire Harness, Engine | 39 * 1 | 3256-3 | Washer | 11 5 4 |
| 321-10 | Bolt | 3 40 1 | 3256-3 | Washer | 12 15 2 |
| 2412-36 | Clamp - Hose | 2 52 1 | 3256-3 | Washer | 10 27 2 |
| 2412-95 | Clamp - Hose | 11 19 2 | 3256-4 | Washer | 2 10 1 |
| 2412-98 | Clamp - Hose | 11 51 2 | 3256-4 | Washer | 12 27 4 |
| 2412-104 | Clamp | 13 23 1 | 3256-14 | Washer | 14 24 1 |
| 2412-133 | Clamp - Tube | 12 29 2 | 3256-22 | Washer | 14 5 2 |
| 2710-33 | Link - Brake | 3 21 1 | 3256-22 | Washer | 13 20 24 |
| 282-2 | Clevis | 3 34 1 | 3256-22 | Washer | 4 23 2 |
| 2811-7 | Elbow - Street | 1 14 2 | 3256-22 | Washer | 3 28 1 |
| 302-2 | Fitting - Grease | 1 13 2 | 3256-22 | Washer | 2 43 2 |
| 302-5 | Fitting - Grease | 10 20 1 | 3256-22 | Washer | 11 24 2 |
| 321-3 | Bolt | 11 35 3 | 3256-23 | Washer | 10 3 4 |
| 321-4 | Bolt | 2 42 4 | 3256-23 | Washer | 3 8 7 |
| 321-4 | Bolt | 14 3 2 | 3256-23 | Washer | 11 15 3 |
| 321-4 | Bolt | 13 19 13 | 3256-23 | Washer | 2 30 4 |
| 321-11 | Bolt | 2 37 2 | 3256-23 | Washer | 11 39 3 |
| 322-2 | Bolt | 11 7 4 | 3256-23 | Washer | 5 53 4 |
| 322-2 | Bolt | 11 42 2 | 3256-23 | Washer | 13 3 10 |
| 322-3 | Bolt | 13 2 9 | 3256-23 | Washer | 11 45 2 |
| 322-3 | Bolt | 2 2 6 | 3256-24 | Washer | 1 4 12 |
| 322-3 | Bolt | 11 14 3 | 3256-24 | Washer | 4 8 2 |
| 322-3 | Bolt | 5 52 2 | 3256-24 | Washer | 12 18 2 |
| 322-4 | Bolt | 10 2 4 | 3256-24 | Washer | 3 14 1 |
| 322-5 | Bolt | 12 13 1 | 3256-24 | Washer | 2 19 1 |
| 322-5 | Bolt | 13 7 5 | 3256-24 | Washer | 2 25 8 |
| 322-5 | Bolt | 1 16 2 | 3256-24 | Washer | 10 32 2 |
| 322-5 | Bolt | 2 31 2 | 3256-26 | Washer | 4 37 6 |
| 322-7 | Bolt | 11 37 4 | 3256-27 | Washer | 14 21 1 |
| 322-7 | Bolt | 10 28 1 | 3256-39 | Washer | 3 46 2 |

*Not Illustrated

TORO PART NUMBER INDEX (Cont.)

| Part No. | Description | Pg. Ref. No. No. Qty. | Part No. | Description | Pg. Ref. No. No. Qty. |
|----------|-----------------|--------------------------|----------|-----------------------|--------------------------|
| 3256-46 | Washer | 11 21 2 | 3296-39 | Nut - Lock | 1 5 10 |
| 3272-2 | Pin - Cotter | 3 29 1 | 3296-39 | Nut - Lock | 12 17 2 |
| 3272-6 | Pin - Cotter | 3 9 6 | 3296-39 | Nut - Lock | 4 25 2 |
| 3272-6 | Pin - Cotter | 12 12 1 | 3296-39 | Nut - Lock | 2 26 4 |
| 3272-6 | Pin - Cotter | 4 46 2 | 3296-42 | Nut - Lock | 4 2 2 |
| 3274-10 | Bolt | 11 49 4 | 3296-42 | Nut - Lock | 3 42 1 |
| 3274-53 | Bolt - Soc. Hd. | 4 12 2 | 3296-42 | Nut - Lock | 2 44 4 |
| 3290-134 | Screw | 14 40 2 | 3296-42 | Nut - Lock | 13 6 13 |
| 3296-2 | Nut - Lock | 14 41 2 | 3296-42 | Nut - Lock | 14 6 2 |
| 3296-2 | Nut - Lock | 14 25 1 | 3296-47 | Nut - Lock | 4 13 2 |
| 3296-2 | Nut - Lock | 11 28 2 | 32103-22 | Nut - Wing | 14 8 2 |
| 3296-23 | Nut - Lock | 4 43 4 | 32104-32 | Screw | 25 21 4 |
| 3296-29 | Nut - Lock | 1 17 2 | 32105-2 | Screw | 14 23 1 |
| 3296-29 | Nut - Lock | 2 3 3 | 32105-23 | Screw | 11 27 2 |
| 3296-29 | Nut - Lock | 10 5 4 | 32120-72 | Ring - Retaining | 3 20 2 |
| 3296-29 | Nut - Lock | 14 14 2 | 32121-93 | Pin - Roll | 3 5 1 |
| 3296-29 | Nut - Lock | 11 16 3 | 32144-11 | Bolt | 13 16 4 |
| 3296-29 | Nut - Lock | 2 16 3 | 32144-11 | Bolt | 1 19 4 |
| 3296-29 | Nut - Lock | 12 23 1 | 32144-11 | Bolt - Thread Forming | 4 40 4 |
| 3296-29 | Nut - Lock | 10 29 1 | 32144-11 | Screw | 3 43 2 |
| 3296-29 | Nut - Lock | 11 38 4 | 32144-41 | Bolt | 4 4 4 |
| 3296-29 | Nut - Lock | 11 46 1 | 32146-2 | Nut - Lock | 2 11 1 |
| 3296-29 | Nut - Lock | 13 10 16 | 32151-91 | Ring - Retaining | 15 5 2 |
| 3296-39 | Nut - Lock | 3 15 3 | 32151-91 | Ring - Retaining | 1 8 2 |
| 3296-39 | Nut - Lock | 10 21 1 | | | |

PRODUCT CHANGES

In an effort to make improvements available to TORO owners as quickly as possible, minor changes are incorporated into Toro's products from time to time that do not become immediately shown in the Parts Catalog. If such a change has been made in your unit, which is not reflected in your manual, see your TORO Distributor or his Authorized TORO Service Dealer for information and part numbers.

COUNTRIES OTHER THAN THE UNITED STATES OR CANADA

Customers who have purchased TORO products exported from the United States or Canada should contact their Toro Distributor (Dealer) to obtain guarantee policies for your country, province or state. If for any reason you

are dissatisfied with your Distributor's service or have difficulty obtaining guarantee information, contact the TORO importer. If all other remedies fail, you may contact us at The Toro Company.

TABLE OF CONTENTS

| Description | Page | Description | Page |
|---|------|--|------|
| Frame & Front Wheel Fork Assembly | 1 | Engine Onan 16 / 20 hp | |
| Transmission & Drive System Assembly | 2 | Engine Cylinder Block Assembly | 18 |
| Parking Brake Assembly | 3 | Crankshaft, Camshaft & Flywheel Assembly | 22 |
| Transmission Control Assembly | 4 | Oil Base & Fill Tube Assembly | 24 |
| Transmission Control Assembly | 5 | Oil Filter Assembly | 26 |
| Transmission, Eaton Model No. 781-016 | 6 | Gearcase & Ignition Assembly | 28 |
| Transmission, Eaton Model No. 781-016 | 8 | Air Cleaner Assembly | 30 |
| P.T.O. Electric Clutch & Drive Assembly | 10 | Carburetor & Intake Manifold Assembly | 32 |
| Engine & Fuel System Assembly | 11 | Carburetor Components (Model P216V Only) | 34 |
| Seat Assembly | 12 | Covers, Fuel Pump, Coil, Regulator & | |
| Fender Floor & Pan Assembly | 13 | Governor Linkage Assembly | 36 |
| Electrical System Assembly | 14 | Starter Assembly | 38 |
| Wheel & Tire Assembly | 15 | Electric Schematic | 39 |
| Decals | 16 | Toro Part Number Index | 40 |

Optional Equipment

| Description | Model / Part No. | Description | Model / Part No. |
|--|------------------|---|------------------|
| 38" Side Discharge Cutting Unit | 78400 | Knobby Tire | 78-78640 |
| 38" Recycler® Cutting Unit | 78410 | Tire Chains | 11-0430 |
| 42" Side Discharge Cutting Unit | 78415 | 5" Chrome Hubcaps | 117587 |
| 42" Rear Discharge Cutting Unit | 78420 | 8" Chrome Hubcaps | 114427 |
| 42" Recycler® Cutting Unit | 78425 | | |
| 52" Side Discharge Cutting Unit | 78460 | Kits | |
| 11 cu. ft. Bagger(38" Side Discharge | | 42" Recycler® Rear Discharge Cutting Unit ... | 86001 |
| Cutting Unit)* | 79400 | 38" Recycler® Side Discharge Cutting Unit ... | 86032 |
| 11" cu. ft. Vac Bagger (42" Side Discharge | | 42" Leaf Baffle Side Discharge Cutting Unit ... | 85501 |
| Cutting Unit)* | 79401 | Front Weight | 81127 |
| 8" cu. ft. Vac Bagger (52" Side Discharge | | Wheel Weight | 81214 |
| Cutting Unit)* | 79402 | Drawbar | 85535 |
| 56" Snow Blade** | 79450 | | |

*Requires Front Weight Kit #81127

** Recommend Rear Wheel Weight & Tire Chains

MAINTENANCE RECORD

| Date | | | | | | | | |
|------|--|--|--|--|--|--|--|--|
| | | | | | | | | |
| | | | | | | | | |
| | | | | | | | | |
| | | | | | | | | |
| | | | | | | | | |
| | | | | | | | | |
| | | | | | | | | |
| | | | | | | | | |
| | | | | | | | | |
| | | | | | | | | |
| | | | | | | | | |
| | | | | | | | | |
| | | | | | | | | |
| | | | | | | | | |
| | | | | | | | | |
| | | | | | | | | |
| | | | | | | | | |
| | | | | | | | | |
| | | | | | | | | |
| | | | | | | | | |
| | | | | | | | | |
| | | | | | | | | |
| | | | | | | | | |
| | | | | | | | | |
| | | | | | | | | |
| | | | | | | | | |
| | | | | | | | | |
| | | | | | | | | |
| | | | | | | | | |