



Count on it.

Parts Catalog

TITAN Z5400

Zero-Turn-Radius Riding Mower

Model No. 74822—Serial No. 290000001 and Up

Ordering Replacement Parts

To order replacement parts, please supply the part number, the quantity, and the description of each part desired.

Understanding Reference Numbers

Each identified part in an illustration has a reference number. The reference number for a part also appears in the parts list, along with other information about the part.

This catalog uses two special reference number formats, one to indicate parts in a service assembly and another to indicate the quantity of a given part in an illustration.

Service Assembly Reference Numbers

Parts in service assemblies have reference numbers in the form a:b. The a represents the reference number of the entire service assembly and the b represents a sequential number unique to each part within the service assembly.

For example, a wheel assembly might be identified by reference number 6, the tire by 6:1, the valve by 6:2, and the wheel by 6:3. When you order the assembly identified by reference number 6, you receive all parts identified by reference numbers 6:1, 6:2, and 6:3. However, you may also order any part individually. Reference numbers of this type appear in illustration and in parts lists.

Reference Numbers Indicating Quantity

In an illustration, if a reference number indicates more than one part, the reference number has the form nX y. The n represents the quantity of the part, the X is the multiplication symbol, and the y represents the reference number.

For example, in an illustration, the reference number 2X 37 means that two of the parts identified by reference number 37 are indicated.

List of Abbreviations

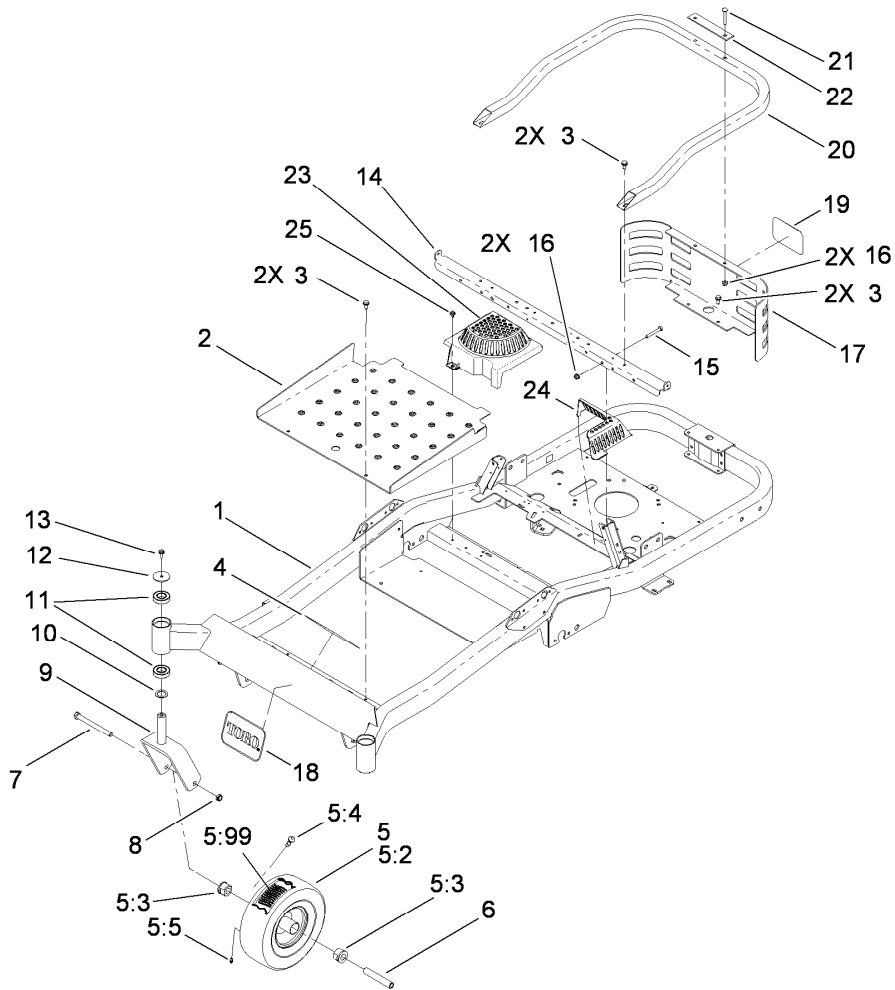
AR: as required
ASM: assembly
BBC: blade brake clutch
CARR: carriage
CCW: counter clock wise
CW: clockwise
DEG: degrees
ECM: electronic control module
EXT: external
FH: flat head
GA: gauge
HD: heavy-duty
HF: hex flange
HH: hex head
HHF: hex head flange
HHFTF: hex head flange thread forming
HJ: hex jam
HLH: hex lag head
HOC: height-of-cut

HSBH: hex socket button head
HSFH: hex socket flat head
HSH: hex socket head
HWH: hex washer head
HWHTF: hex washer head thread forming
HYD: hydraulic
LH: left hand
NI: nylon insert
NPTF: national pipe thread fine
PFH: phillips flat head
PPH: phillips pan head
PPHTF: phillips pan head thread forming
PRH: phillips round head
PTH: phillips truss head
PTO: power-take-off
RH: right hand
ROPS: roll-over protection system
RRB: rear roller brush

SFH: slotted fillister head
SHH: slotted hex head
SHWH: slotted hex washer head
SPH: slotted pan head
SQH: square head
SRH: slotted round head
STD: standard
TAP: self tapping
TTH: torx truss head

Contents

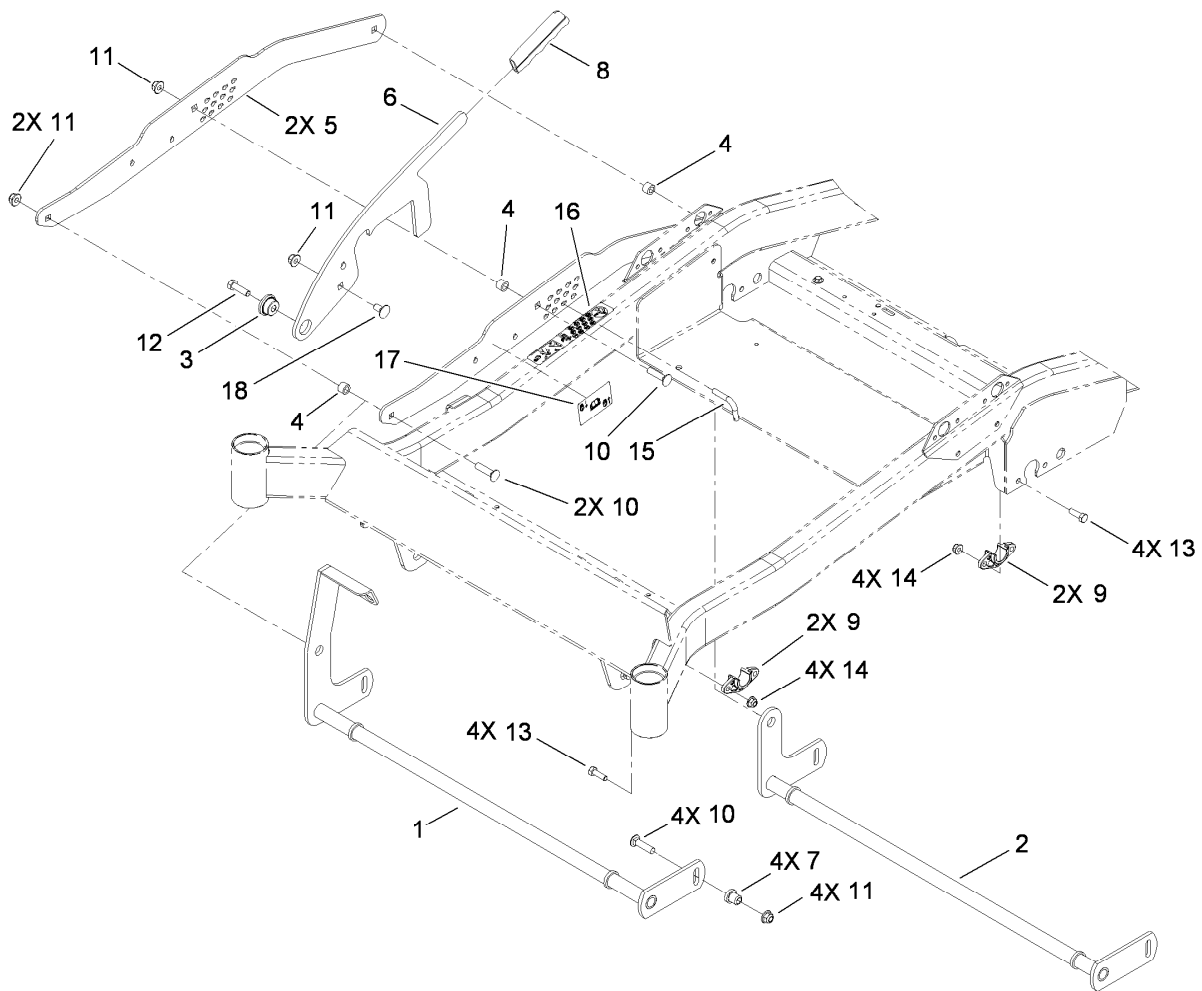
Main Frame and Front Caster Wheel Assembly	4
Deck Lift Assembly	5
Motion Control Assembly	6
Parking Brake Assembly	7
Handle Control Assembly	8
Seat Assembly	9
RH Hydro Assembly	10
LH Hydro Assembly	12
Traction Drive Assembly	14
Engine, Clutch and Exhaust Assembly	15
Fuel Delivery System	16
Body and Styling Assembly	17
Electrical Assembly	18
54 Inch Deck Assembly	19
Deck and Decal Assembly No. 117-5374	20
54 Inch Deck Spindle and Blade Assembly	21
Crankcase Assembly Kohler SV820-0015	22
Head, Valve and Breather Assembly Kohler SV820-0015	24
Crankshaft Assembly Kohler SV820-0015	26
Oil Pan and Lubrication Assembly Kohler SV820-0015	27
Ignition and Electrical Assembly Kohler SV820-0015	28
Blower Housing Assembly Kohler SV820-0015	29
Starter Assembly Kohler SV820-0015	30
Fuel System Assembly Kohler SV820-0015	31
Engine Control Assembly Kohler SV820-0015	32
Air Intake and Filtration Assembly Kohler SV820-0015	33
Decals Kohler SV820-0015	34
Attachments and Accessories	35



Main Frame and Front Caster Wheel Assembly

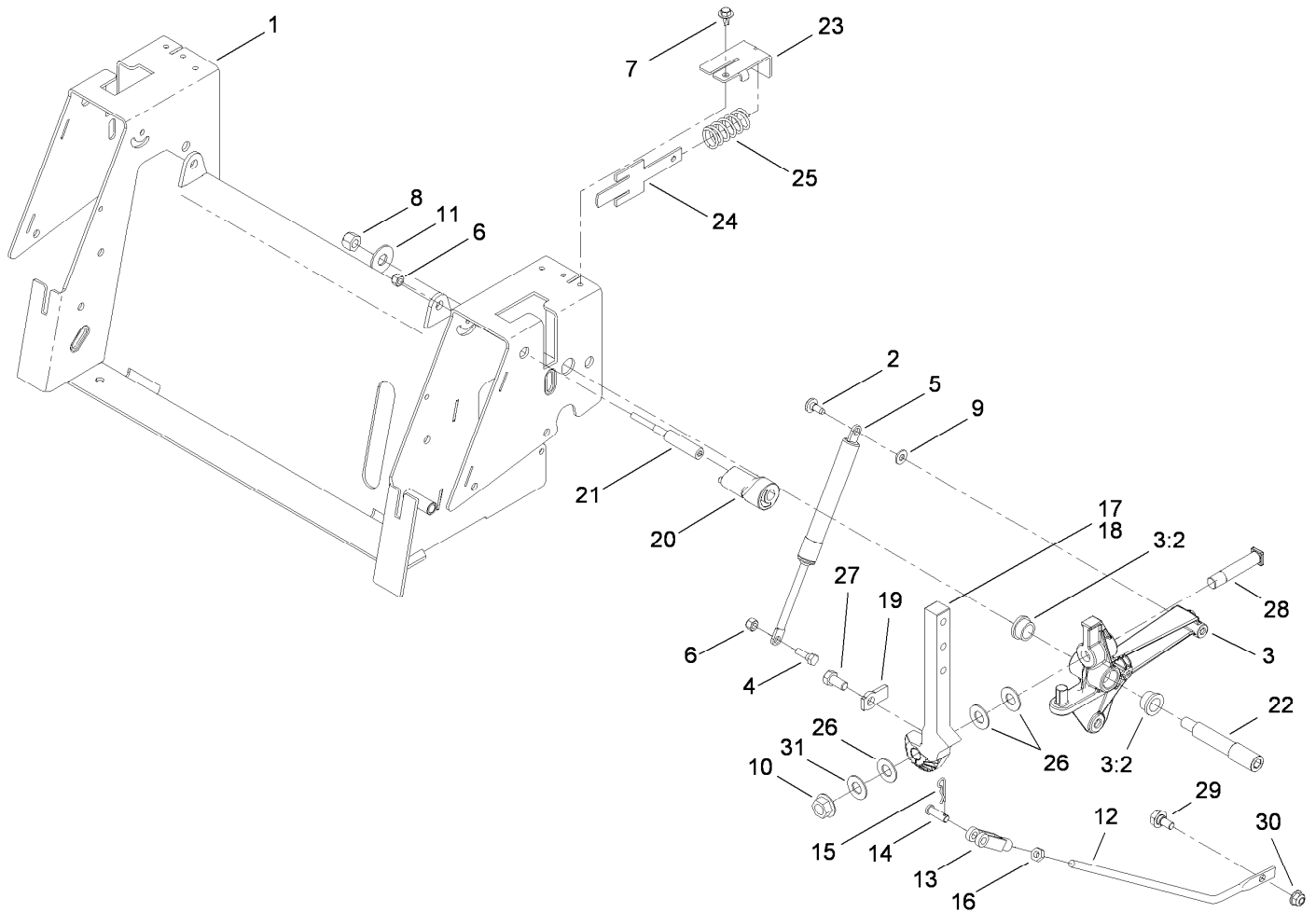
Ref.	Part Number	Qty.	Description
1	115-2534-01	1	Frame
2	115-2531-03	1	Floorpan
3	32144-70	6	Screw-HWHTF
4	109-8965	1	Decal-Safety
5	115-2554	2	Wheel And Tire ASM
5:2	115-2557	1	Tire-Smooth
5:3	114-1640	2	Bushing-Flange
5:4	232-27	1	Stem-Valve
5:5	302-5	1	Fitting-Grease
5:99	117-1234	1	Tube-Inner
6	104-3667	2	Spanner-Wheel
7	325-22	2	Screw-HH
8	3296-45	2	Nut-Lock, NI
9	110-6634-01	2	Caster Fork ASM
10	10-8110	2	Washer-Thrust

Ref.	Part Number	Qty.	Description
11	109-3678	4	Bearing-Ball
12	109-3724	2	Washer
13	3234-47	2	Screw-HHF
14	115-2566-03	1	Support-Seat
15	322-11	2	Screw-HH
16	104-8300	4	Nut-Flange, NI
17	115-2632-03	1	Guard-Rear, Shield
18	62-5550	1	Decal
19	105-8278	1	Decal
20	115-2565-01	1	Guard-Rear, Tube
21	3230-6	2	Screw-CARR
22	115-5061-01	1	Plate-Spacer
23	117-1241	1	Cover-Fan, RH
24	117-1242	1	Cover-Fan, LH
25	46-8560	2	Screw-HHF



Deck Lift Assembly

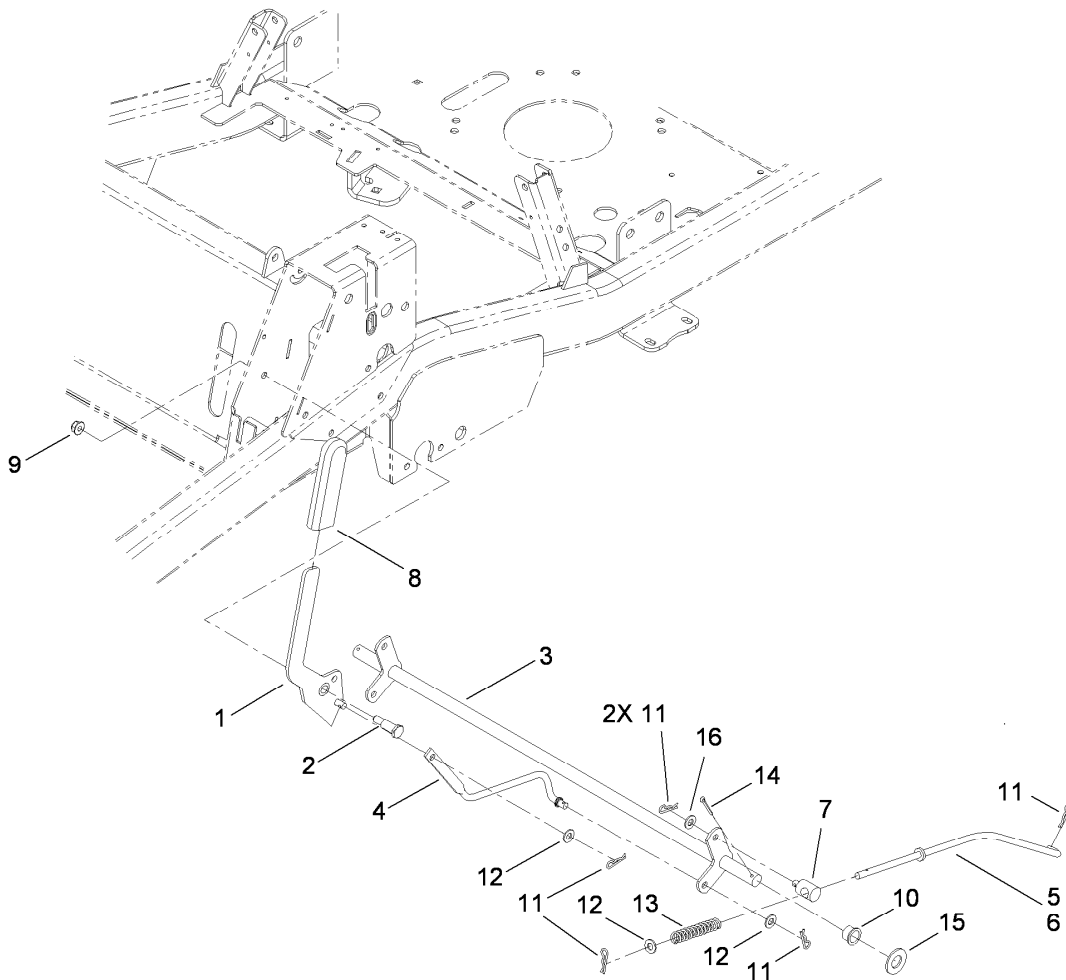
<i>Ref.</i>	<i>Part Number</i>	<i>Qty.</i>	<i>Description</i>
1	115-2495-03	1	Pivot-Front
2	115-2498-03	1	Pivot-Rear
3	117-1281	1	Bushing-Mount, HOC
4	115-4986	3	Spacer
5	115-2503-03	2	Plate-Lift, Foot
6	115-2504	1	Plate-Stop, HOC
7	65-5950	4	Bushing-Pulley
8	115-5033	1	Grip
9	115-5065	4	Bushing-Flange
10	3231-4	7	Screw-CARR
11	104-8301	8	Nut-Flange, NI
12	323-7	1	Screw-HH
13	322-5	8	Screw-HH
14	104-8300	8	Nut-Flange, NI
15	117-1280	1	Pin-Keyed
16	115-9644	1	Decal-HOC
17	117-5344	1	Decal-Lock, Deck
18	3231-1	1	Screw-CARR



Motion Control Assembly

Ref.	Part Number	Qty.	Description	Ref.	Part Number	Qty.	Description
1	115-2546-03	1	Box-Control	16	3220-2	2	Nut-Jam
2	112-4004	2	Screw-Shoulder	17	110-6783-03	1	Arm-Actuator, LH
3	110-6828	2	Activator Arm ASM	18	110-6782-03	1	Arm-Actuator, RH ●
3:2	105-3455	2	Bushing	19	115-5023	2	Tab-Stop
4	106-2214	2	Bolt-Shoulder	20	110-6873	2	Eccentric
5	103-2913	2	Damper-Control, Motion	21	110-6874	2	Screw-Eccentric
6	3296-42	4	Nut-Lock, NI	22	110-6875	2	Bolt-Shoulder
7	46-8560	2	Screw-HHF	23	110-6751	2	Bracket-Return
8	3296-48	2	Nut-Lock, NI	24	110-6750	2	Plate-Return
9	3256-22	2	Washer-Flat	25	110-6752	2	Spring
10	32128-23	2	Nut-HF	26	110-6894	6	Washer-Pivot
11	3256-5	2	Washer-Flat	27	323-4	2	Screw-HH
12	115-2529	2	Link-Bent, Hydro	28	110-6784	2	Bolt-Shoulder
13	1-303105	2	Yoke-Adjustable	29	37-8771	2	Bolt-Shoulder
14	1-808280	2	Pin-Clevis	30	104-8300	2	Nut-Flange, NI
15	1-806003	2	Pin-Cotter, Hair	31	112-9771	2	Washer-Teflon

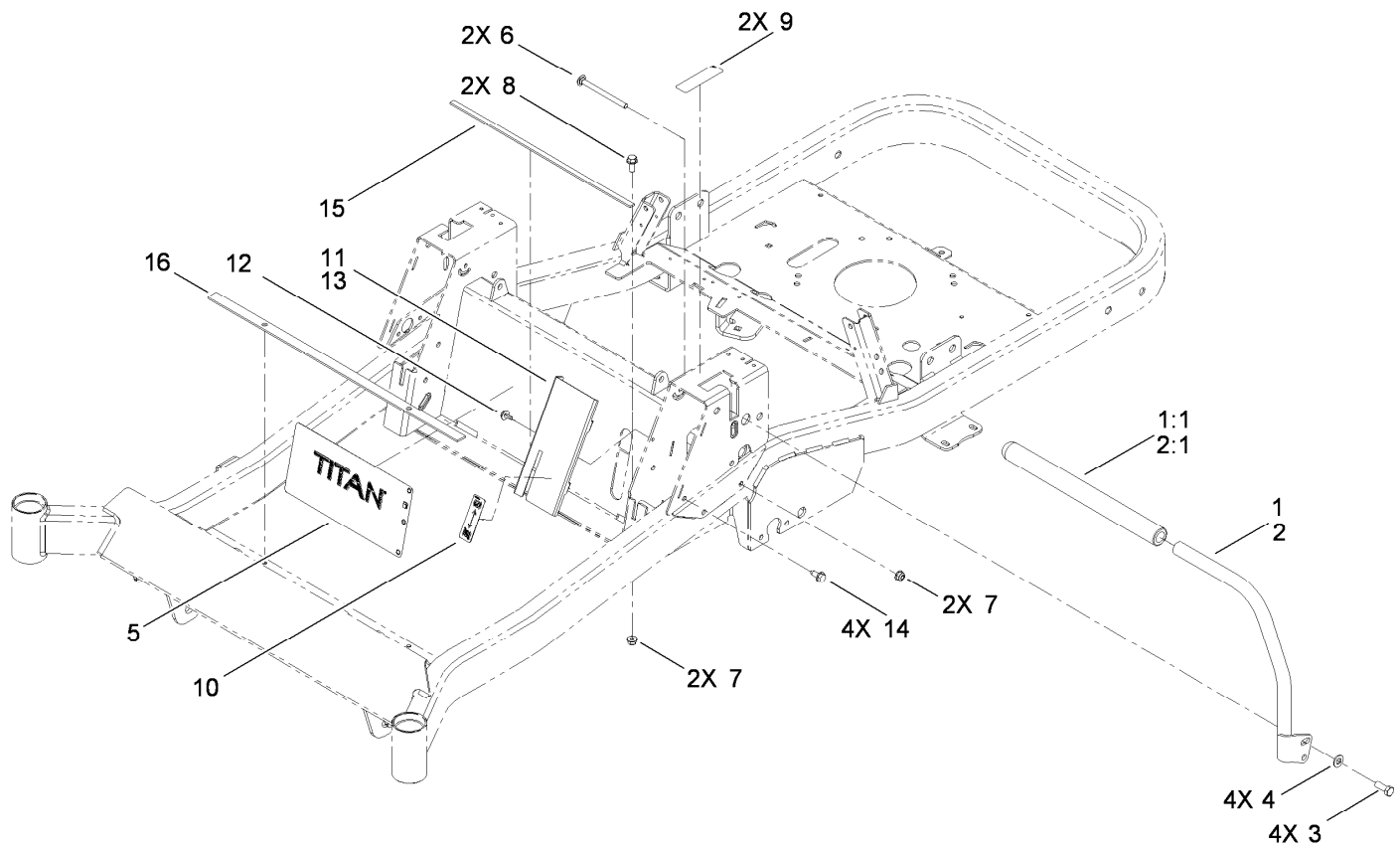
● Not illustrated



Parking Brake Assembly

Ref.	Part Number	Qty.	Description
1	117-1167	1	Brake Handle ASM
2	63-2650	1	Screw-Shoulder
3	115-5071-03	1	Brake-Bellcrank
4	115-5074	1	Link-Brake
5	115-9679	1	Rod-Brake, LH
6	115-9680	1	Rod-Brake, RH ●
7	115-9681	2	Fitting-Rod
8	1-633268	1	Grip-Lever, Brake
9	104-8300	1	Nut-Flange, NI
10	256-292	2	Bushing-Flange, NI
11	1-806003	8	Pin-Cotter, Hair
12	3256-23	4	Washer-Flat
13	1-603807	2	Spring-Return, Neutral
14	3272-11	2	Pin-Cotter
15	3256-27	2	Washer-Flat
16	40-1940	2	Washer

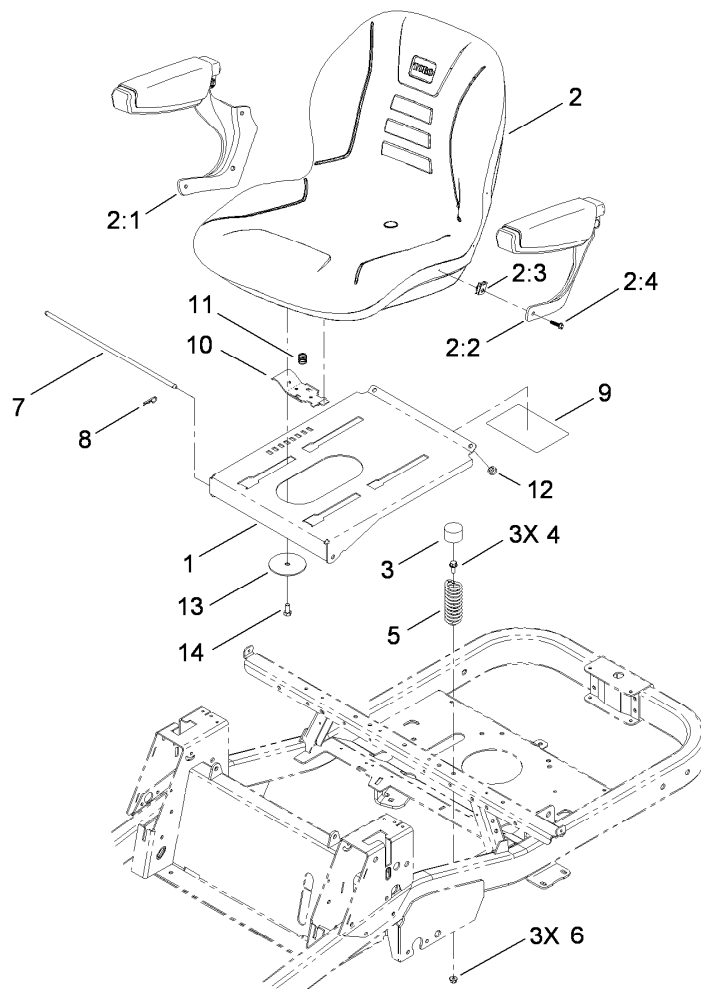
● Not illustrated



Handle Control Assembly

Ref.	Part Number	Qty.	Description
1	117-5338	1	LH Control Handle ASM
1:1	108-6187	1	Grip
2	117-5339	1	RH Control Handle ASM ●
2:1	108-6187	1	Grip ●
3	323-6	4	Screw-HH
4	3256-24	4	Washer-Flat
5	115-9628	1	Decal
6	106-9758	2	Screw-CARR
7	104-8300	4	Nut-Flange, NI
8	3234-47	2	Screw-HHF
9	99-8936	2	Decal-Control, Motion
10	115-9625	1	Decal
11	115-2561-03	1	Cover-Control, LH
12	46-8560	2	Screw-HHF
13	117-1255-03	1	Cover-Control, RH ●
14	32144-70	4	Screw-HWHTF
15	117-7237	1	Strip-Anti Vibration
16	117-7238	1	Strip-Anti Vibration

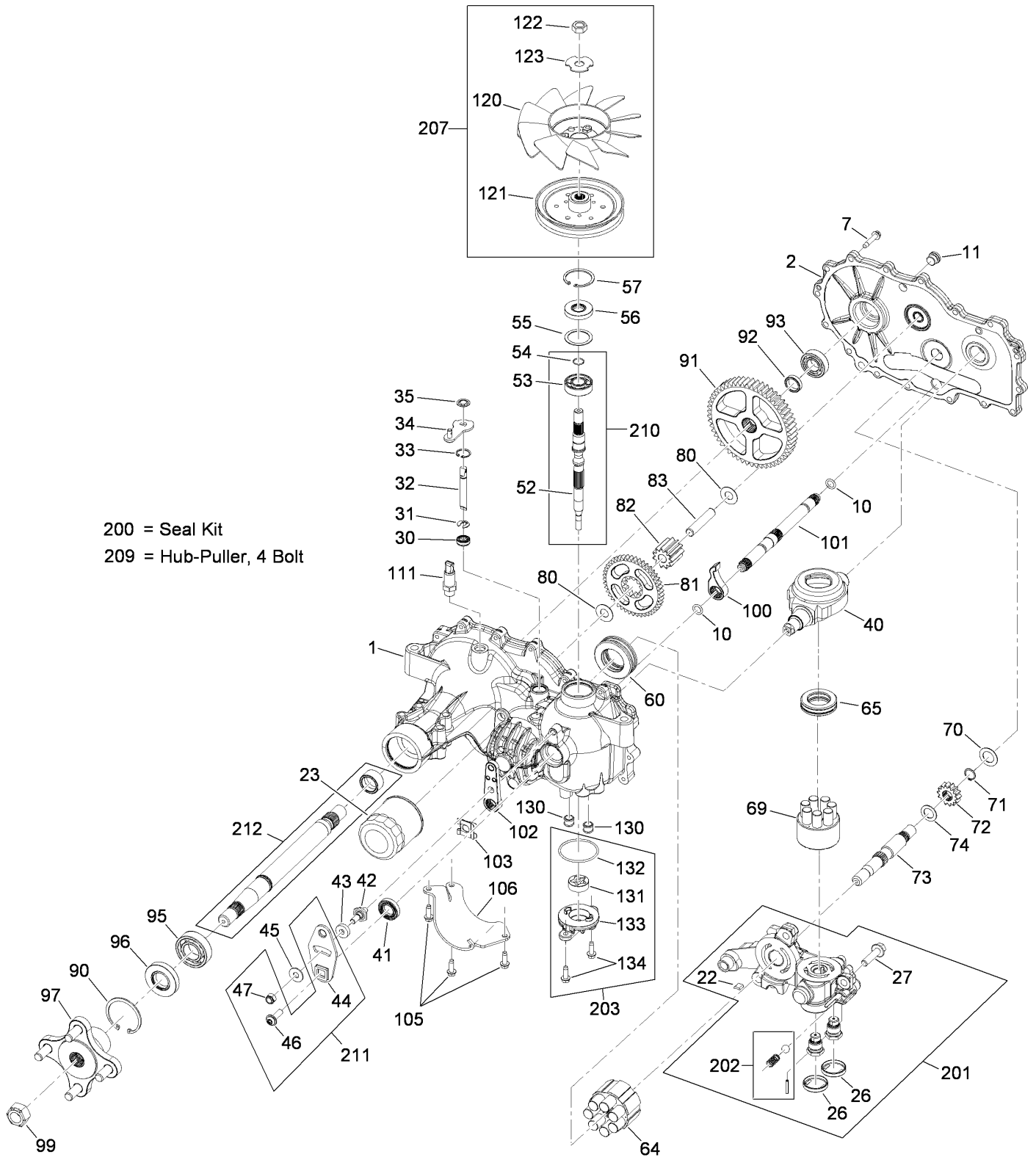
● Not illustrated



Seat Assembly

<i>Ref.</i>	<i>Part Number</i>	<i>Qty.</i>	<i>Description</i>
1	117-5320-03	1	Pan-Seat
2	115-5053	1	18 Inch Seat ASM (With Armrest)
2:1	117-5346	1	Armrest-RH
2:2	117-5347	1	Armrest-LH
2:3	117-5348	6	Nut-Speed
2:4	117-5349	6	Screw-Tapping
3	701178	3	Cap-Protector
4	3234-47	3	Screw-HHF
5	92-7054	3	Spring-Compression
6	104-8300	3	Nut-Flange, NI
7	115-4966	1	Rod-Stop
8	3290-250	2	Pin-Hair
9	115-9630	1	Decal-Maintenance
10	115-9623	1	Latch-Seat
11	115-9624	1	Spring-Compression
12	1-513658	2	Bumper
13	117-5307	1	Washer-Seat
14	323-4	1	Screw-HH

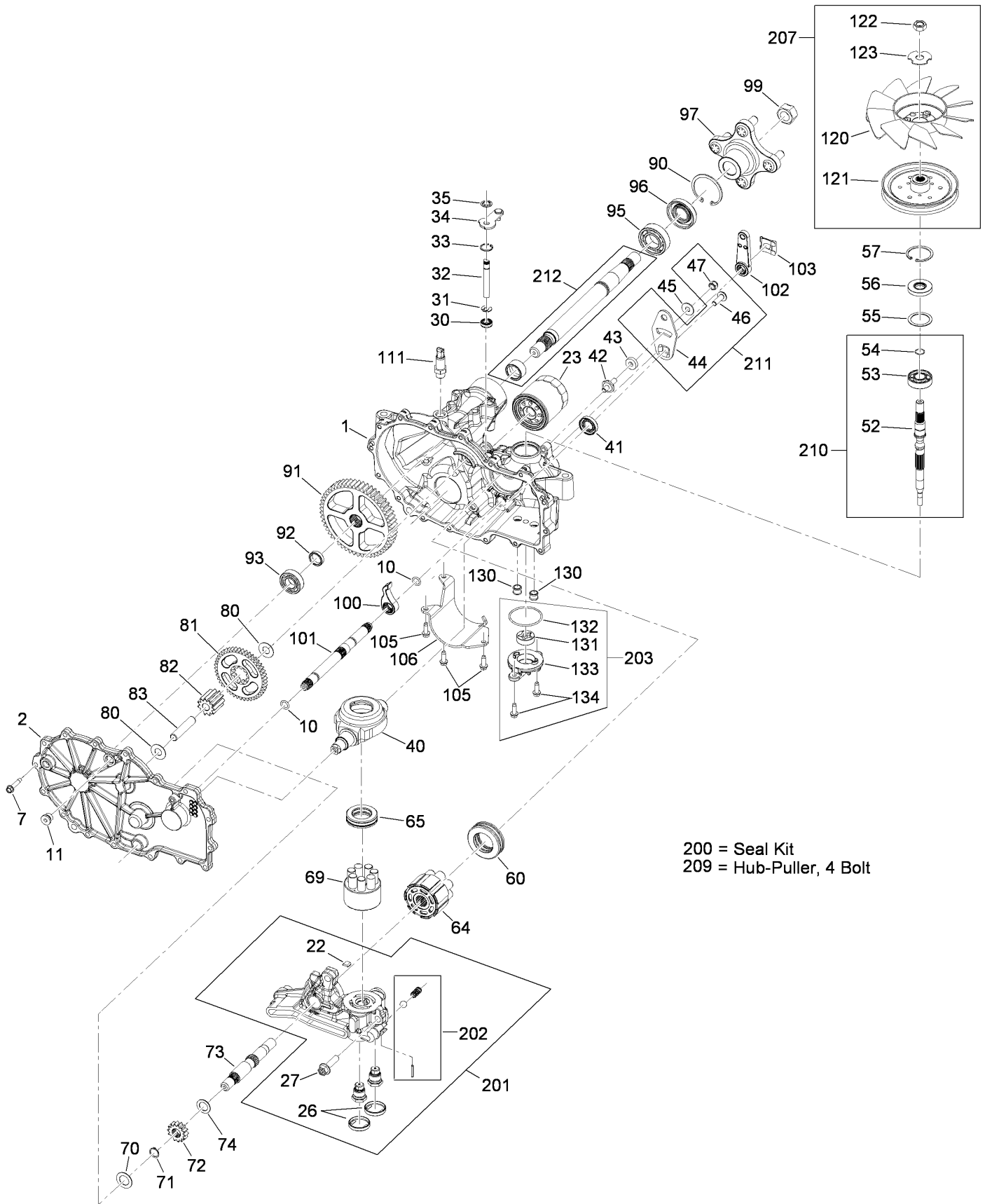
RH Hydro Assembly



RH Hydro Assembly (continued)

<i>Ref.</i>	<i>Part Number</i>	<i>Qty.</i>	<i>Description</i>	<i>Ref.</i>	<i>Part Number</i>	<i>Qty.</i>	<i>Description</i>
1	117-5357	1	RH Main Housing Kit	80	94-1933	1	Washer
2	117-5358	1	RH Housing Side Kit	81	114-1692	1	Gear-45T
7	117-5359	16	Screw-Hfhcs	82	114-1693	1	Gear-11T
10	114-1678	2	O-Ring	83	104-5329	1	Pin-Jackshaft
11	104-2189	1	Plug-Thread, Straight	90	104-2169	1	Ring-Retaining
22	114-1680	1	Plate-Bypass	91	114-1694	1	Gear-54T
23	109-3321	1	Element-Oil Filter, HYD	92	114-1695	1	Spacer
26	114-1683	2	Seal-Plug	93	114-1696	1	Bearing-Ball
27	114-1684	3	Screw-Hfhc	95	104-2143	1	Bearing-Ball
30	106-8676	1	Seal-Lip	96	104-2144	1	Seal
31	106-8677	1	Ring-Retaining, EXT	97	109-5939	1	Hub Kit
32	114-1685	1	Rod-Bypass	99	105-1895	1	Nut
33	106-8679	1	Ring-Retaining, Int	100	114-1697	1	Pawl-Brake
34	107-2490	1	Arm-Bypass	101	117-5360	1	Shaft-Brake
35	106-8681	1	Ring-Retaining, EXT	102	114-1699	1	Handle-Brake
40	104-5304	1	Swashplate-Trunnion	103	114-8450	1	Clip-Retaining
41	104-5313	1	Seal-Lip	105	104-2120	3	Screw
42	104-2116	1	Stud	106	114-8473	1	Guard-Filter, LH
43	112-9853	1	Puck-Friction	111	109-3278	1	Adapter-Straight
44	106-8747	1	Arm-Control	120	114-8453	1	Fan-7.0
45	114-8491	1	Washer	121	114-8454	1	Pulley-5.0 Inch
46	107-2488	1	Screw	122	104-2168	1	Nut-Hex
47	105-1872	1	Nut	123	107-9122	1	Washer-Slotted
52	114-1687	1	Shaft-Input	130	114-8455	2	Tube-Connecting
53	104-5311	1	Bearing-Ball	131	104-2122	1	Gerotor ASM
54	104-5307	1	Ring-Retaining	132	109-3540	1	O-Ring-Seal
55	104-5308	1	Spacer	133	114-8457	1	Cover-Charge Pump
56	104-5310	1	Seal-Lip	134	104-2120	2	Screw
57	104-5309	1	Ring-Retaining	200	109-3537	1	Complete Seal Kit
60	112-4154	1	Bearing-Thrust	201	114-8463	1	RH Center Section Kit
64	114-1689	1	Motor Cylinder Block Kit	202	114-8464	1	Charge Relief Kit
65	94-6922	1	Bearing-Thrust	203	114-8465	1	Charge Kit
69	110-8561	1	Pump Block ASM	207	109-5938	1	Fan And Pulley Kit
70	104-5339	1	Washer-Flat	209	114-8467	1	Hub-Puller, 4 Bolt
71	104-5340	1	Ring-Retaining	210	117-5361	1	Shaft Input Kit
72	114-1690	1	Gear-14T	211	117-5362	1	Arm Control Kit
73	114-1691	1	Shaft-Motor	212	114-8470	1	Axle Shaft Kit
74	104-5360	1	Washer-Shaft, Motor				

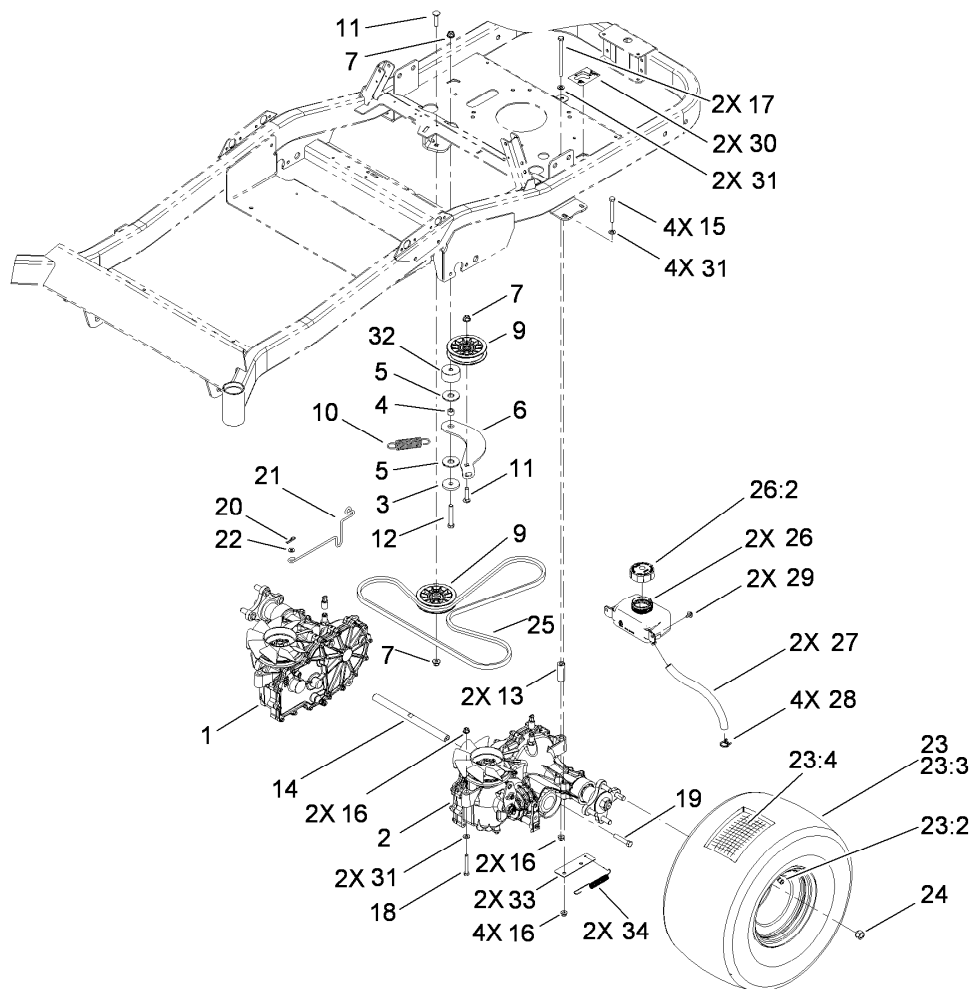
LH Hydro Assembly



200 = Seal Kit
 209 = Hub-Puller, 4 Bolt

LH Hydro Assembly (continued)

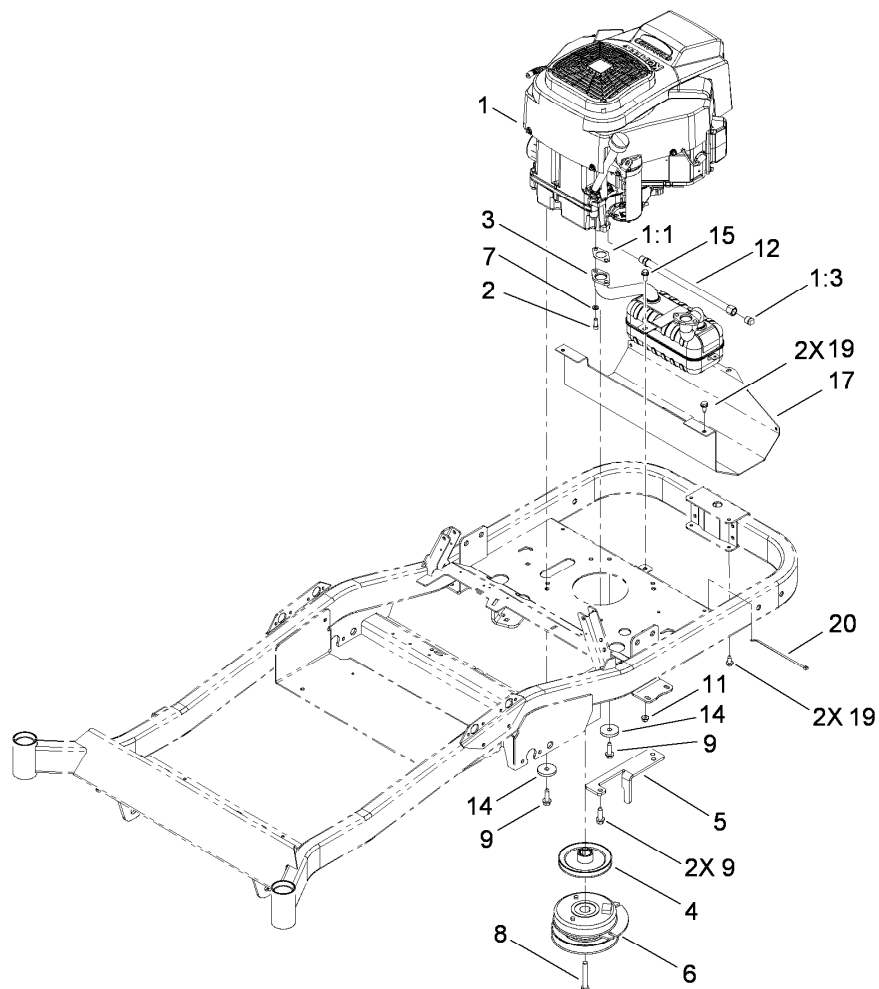
<i>Ref.</i>	<i>Part Number</i>	<i>Qty.</i>	<i>Description</i>	<i>Ref.</i>	<i>Part Number</i>	<i>Qty.</i>	<i>Description</i>
1	114-8471	1	LH Main Housing Kit	80	94-1933	2	Washer
2	114-8472	1	LH Side Cover Kit	81	114-1692	1	Gear-45T
7	117-5359	16	Screw-Hfhcs	82	114-1693	1	Gear-11T
10	114-1678	2	O-Ring	83	104-5329	1	Pin-Jackshaft
11	104-2189	1	Plug-Thread, Straight	90	104-2169	1	Ring-Retaining
22	114-1680	1	Plate-Bypass	91	114-1694	1	Gear-54T
23	109-3321	1	Element-Oil Filter, HYD	92	114-1695	1	Spacer
26	114-1683	2	Seal-Plug	93	114-1696	1	Bearing-Ball
27	114-1684	3	Screw-Hfhc	95	104-2143	1	Bearing-Ball
30	106-8676	1	Seal-Lip	96	104-2144	1	Seal
31	106-8677	1	Ring-Retaining, EXT	97	109-5939	1	Hub Kit
32	114-1685	1	Rod-Bypass	99	109-3536	1	Nut-Hub
33	106-8679	1	Ring-Retaining, Int	100	114-1697	1	Pawl-Brake
34	107-2490	1	Arm-Bypass	101	117-5360	1	Shaft-Brake
35	106-8681	1	Ring-Retaining, EXT	102	114-1699	1	Handle-Brake
40	104-5304	1	Swashplate-Trunnion	103	114-8450	1	Clip-Retaining
41	104-5313	1	Seal-Lip	105	104-2120	3	Screw
42	104-2116	1	Stud	106	114-8473	1	Guard-Filter, LH
43	112-9853	1	Puck-Friction	111	109-3278	1	Adapter-Straight
44	106-8747	1	Arm-Control	120	114-8453	1	Fan-7.0
45	114-8491	1	Washer	121	114-8454	1	Pulley-5.0 Inch
46	107-2488	1	Screw	122	104-2168	1	Nut-Hex
47	105-1872	1	Nut	123	107-9122	1	Washer-Slotted
52	114-1687	1	Shaft-Input	130	114-8455	2	Tube-Connecting
53	104-5311	1	Bearing-Ball	131	104-2122	1	Gerotor ASM
54	104-5307	1	Ring-Retaining	132	109-3540	1	O-Ring-Seal
55	104-5308	1	Spacer	133	114-8457	1	Cover-Charge Pump
56	104-5310	1	Seal-Lip	134	104-2120	2	Screw
57	104-5309	1	Ring-Retaining	200	109-3537	1	Complete Seal Kit
60	114-1688	1	Bearing-Thrust	201	114-8476	1	LH Center Section Kit
64	114-1689	1	Motor Cylinder Block Kit	202	114-8464	1	Charge Relief Kit
65	94-6922	1	Bearing-Thrust	203	114-8465	1	Charge Kit
69	110-8561	1	Pump Block ASM	207	109-5938	1	Fan And Pulley Kit
70	104-5339	1	Washer-Flat	209	114-8467	1	Hub-Puller, 4 Bolt
71	104-5340	1	Ring-Retaining	210	117-5361	1	Shaft Input Kit
72	114-1690	1	Gear-14T	211	117-5362	1	Arm Control Kit
73	114-1691	1	Shaft-Motor	212	114-8470	1	Axle Shaft Kit
74	104-5360	1	Washer-Shaft, Motor				



Traction Drive Assembly

Ref.	Part Number	Qty.	Description
1	115-2550	1	Hydro-RH
2	115-2551	1	Hydro-LH
3	110-9981	1	Washer-Plain
4	115-4986	1	Spacer
5	114-0463	2	Washer-Friction, Composite
6	117-5350	1	Arm-Idler
7	104-8301	3	Nut-Flange, NI
9	109-3397	2	Pulley-Idler, Flat
10	1-603402	1	Spring-Extension
11	3231-4	2	Screw-CARR
12	323-12	1	Screw-HH
13	109-3652	2	Spacer-Hydro
14	115-2559	1	Shaft-Cross, Hydro
15	322-13	4	Screw-HH
16	104-8300	8	Nut-Flange, NI
17	322-38	2	Screw-HH
18	322-11	2	Screw-HH
19	323-10	2	Screw-HH
20	1-806003	2	Pin-Cotter, Hair

Ref.	Part Number	Qty.	Description
21	115-4990	2	Rod-Bypass
22	3256-22	2	Washer-Flat
23	115-2593	2	Tire And Rim ASM
23:2	232-27	1	Stem-Valve
23:3	99-2994	1	Tire
23:4	93-3893	1	Tube-Inner
24	242-50	8	Nut-Lug
25	115-9613	1	V-Belt
26	115-9618	1	HYD Reservoir ASM
26:2	109-3320	1	Cap-Reservoir, Hydraulic
27	115-4969	2	Hose-Overflow
28	117-1193	4	Clamp-Hose
29	46-8560	2	Screw-HHF
30	117-1158	2	Decal-Bypass
31	3256-23	8	Washer-Flat
32	117-5351	1	Spacer
33	117-7248-03	2	Plate-Spring
34	110769	2	Spring-Extension

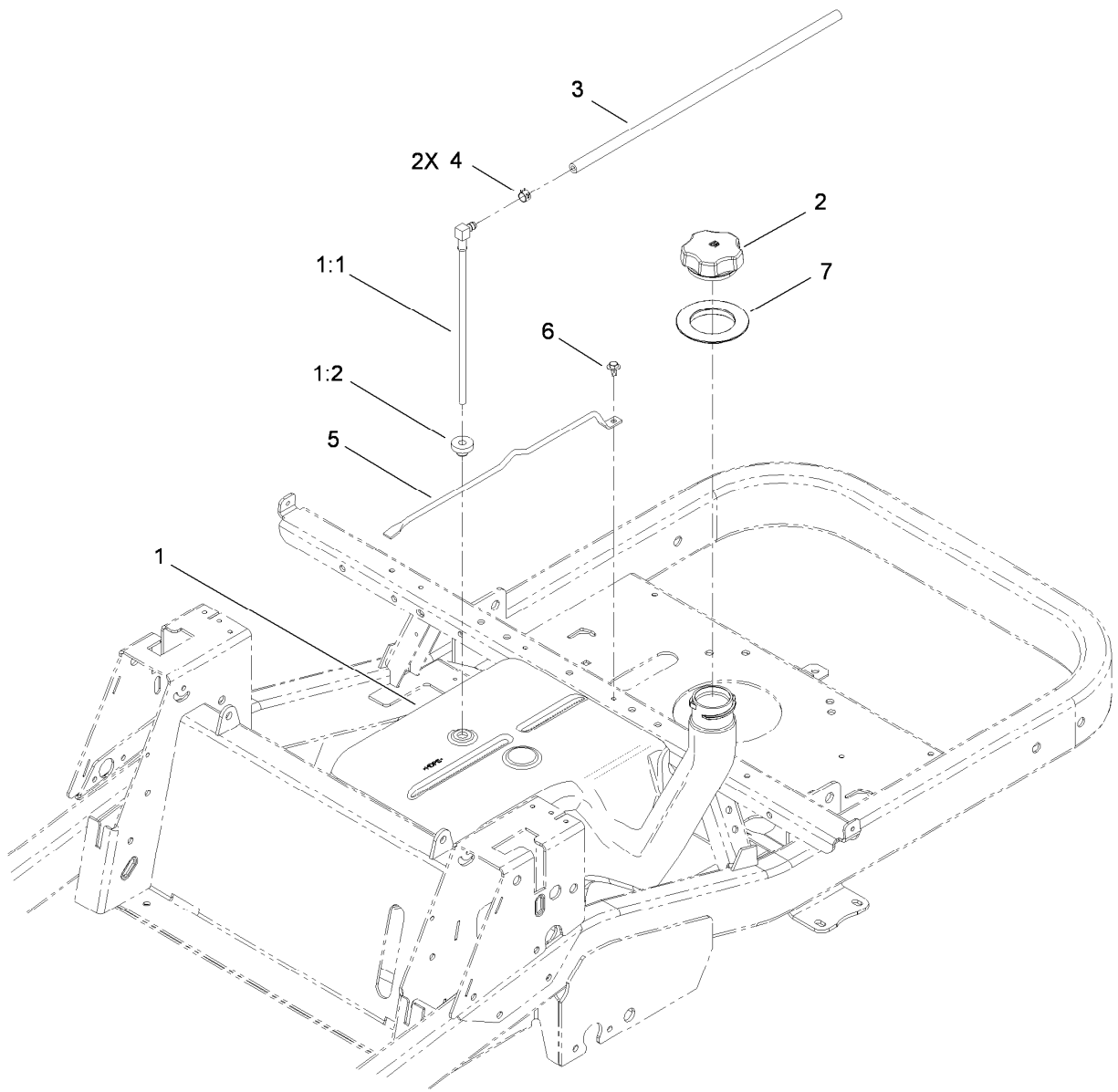


Engine, Clutch and Exhaust Assembly

Ref.	Part Number	Qty.	Description
1		1	Engine-Kohler, Sv820-0015 ●■
1:1	110-6697	2	Gasket-Exhaust
1:3	281-2	1	Plug-Pipe, SQH
2	3274-10	4	Screw-HSH
3	115-9676	1	Muffler-Kohler Twin
4	115-2568	1	Pulley-Engine
5	117-1269-03	1	Bracket-Stop, PTO
6	117-1252	1	Clutch-PTO
7	3253-4	4	Washer-Lock
8	3212-11	1	Screw-HH
9	32144-109	4	Screw
11	104-8300	1	Nut-Flange, NI
12	117-1261	1	ASM-Hose, Oil Drain
14	110-9981	2	Washer-Plain
15	3234-47	1	Screw-HHF
17	117-5330-03	1	Shield-Heat
19	32144-70	4	Screw-HWHTF
20	614249	1	Strap-Tie

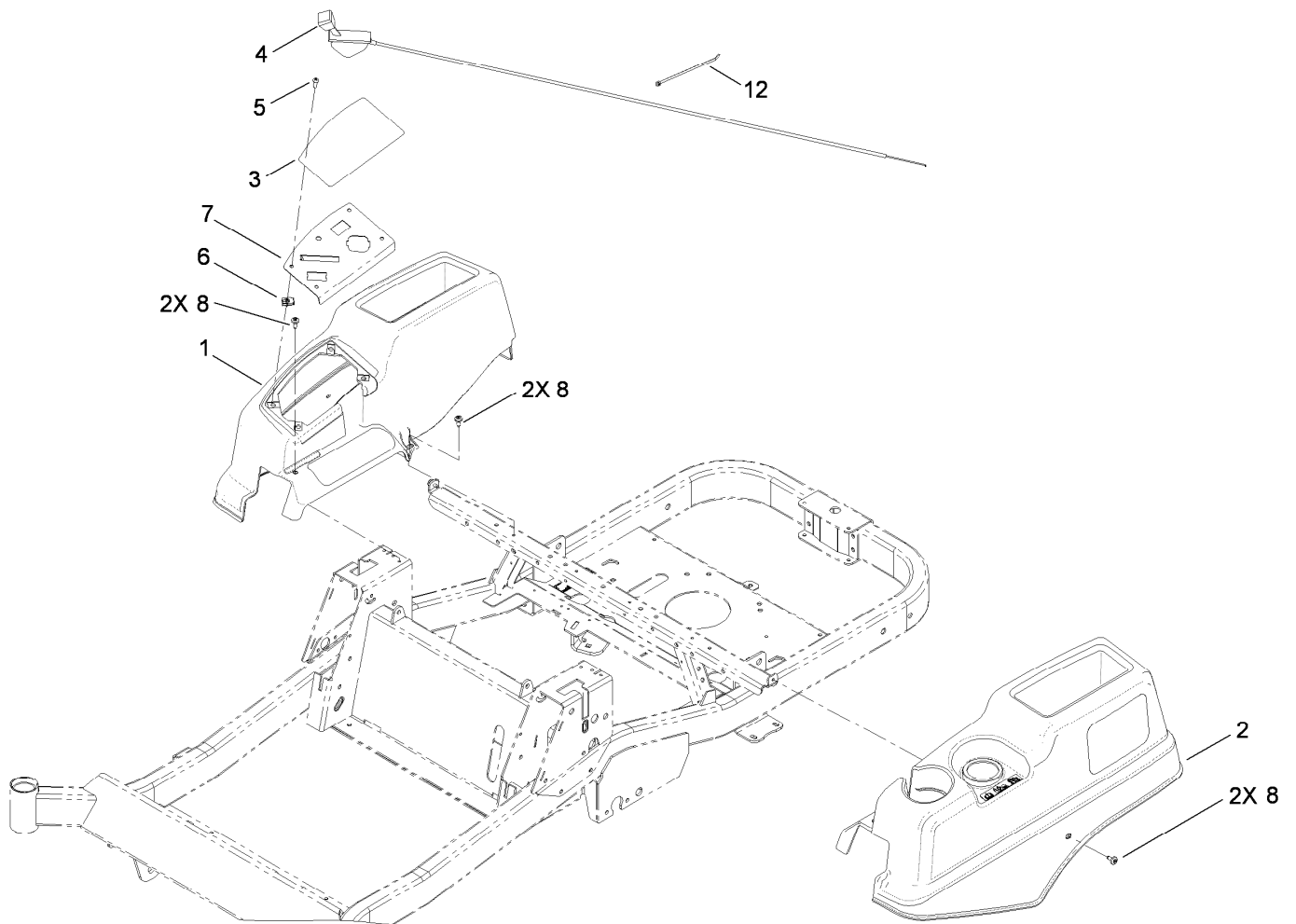
● Not serviced separately

■ Obtain parts from www.kohlerplus.com



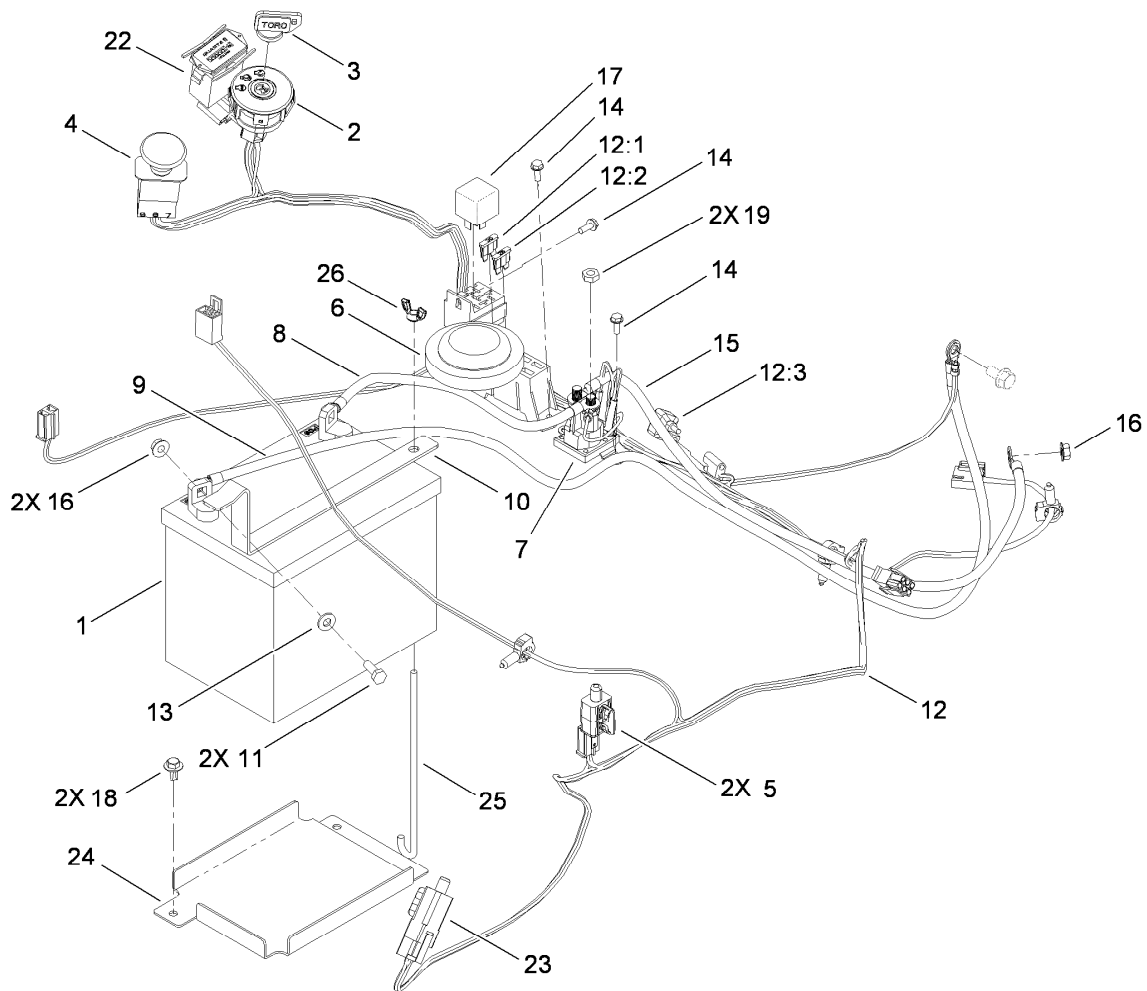
Fuel Delivery System

<i>Ref.</i>	<i>Part Number</i>	<i>Qty.</i>	<i>Description</i>
1	115-9620	1	5 Gallon Fuel Tank ASM
1:1	115-2564	1	Tube-Drop
1:2	46-6560	1	Bushing
2	115-9601	1	Cap-Fuel, Vented
3	109-0299	1	Hose-Fuel
4	2412-98	2	Clamp
5	115-2620	1	Rod-Tank, Gas
6	46-8560	1	Screw-HHF
7	117-1298	1	Seal-Tank



Body and Styling Assembly

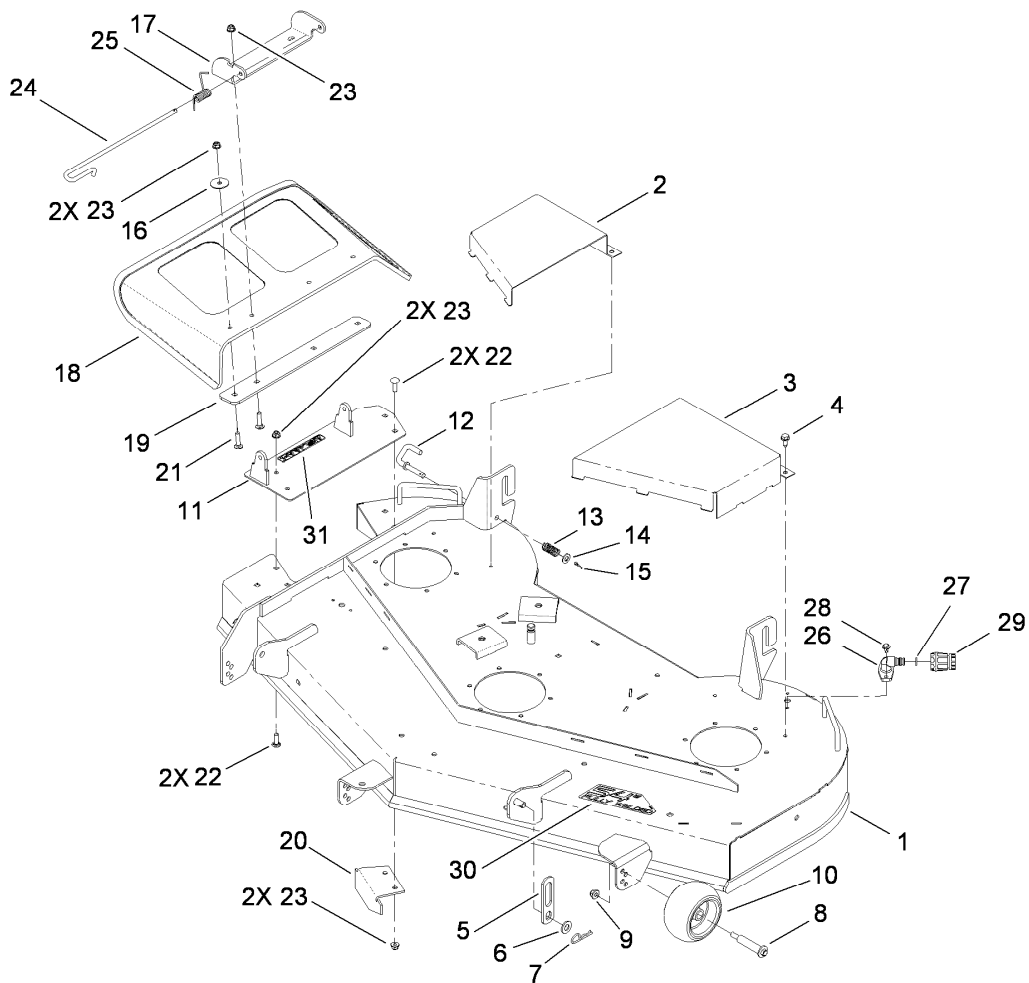
<i>Ref.</i>	<i>Part Number</i>	<i>Qty.</i>	<i>Description</i>
1	115-2581	1	Pod-RH
2	115-2582	1	Pod-LH
3	115-9631	1	Decal-Panel, Control
4	117-1196	1	Cable-Throttle
5	3258-166	4	Screw-PRH
6	107069	4	Clip
7	115-2591-03	1	Panel-Control
8	112-4004	6	Screw-Shoulder
12	614249	1	Strap-Tie



Electrical Assembly

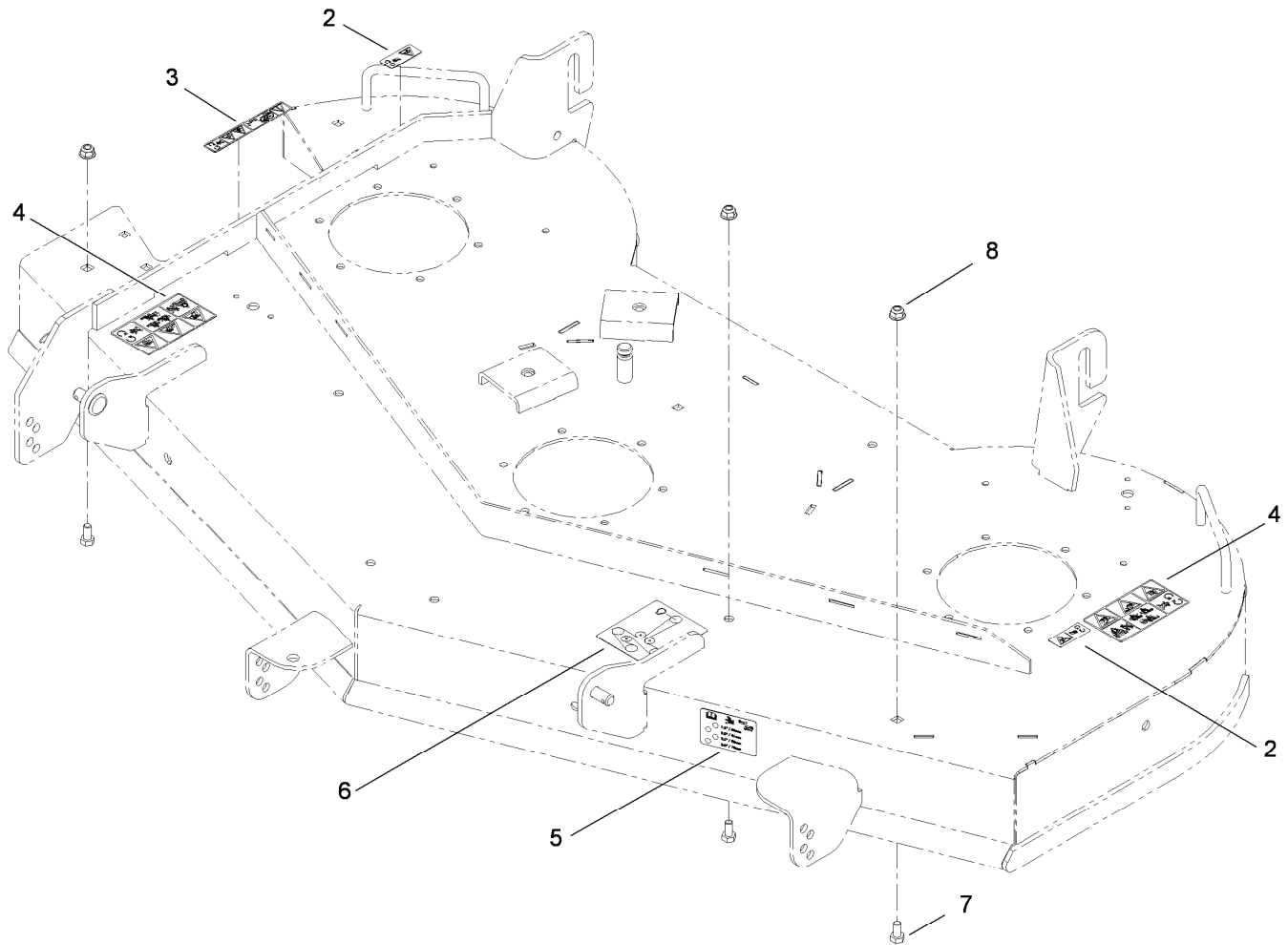
<i>Ref.</i>	<i>Part Number</i>	<i>Qty.</i>	<i>Description</i>
1	104-2493	1	Battery
2	116-0050	1	Switch-Ignition
3	63-8360	1	Key-Ignition
4	93-9998	1	Switch-PTO
5	110-6765	2	Switch-Single Pole No
6	100-3524	1	Switch-Seat
7	117-1197	1	Solenoid
8	117-5342	1	Cable-Battery, Positive
9	106-8946	1	Cable-Battery, Negative
10	117-7313-01	1	Strap-Battery
11	321-4	2	Screw-HH
12	117-7243	1	Harness-Wire
12:1	109103	1	Fuse-30 Amp
12:2	109102	1	Fuse-25 Amp

<i>Ref.</i>	<i>Part Number</i>	<i>Qty.</i>	<i>Description</i>
12:3	100-4918	1	Diode
13	3256-22	2	Washer-Flat
14	32144-1	5	Screw-Taptite
15	92-6989	1	Wire-21 Inch
16	32128-33	3	Nut-HF
17	98-7249	1	Relay
18	46-8560	2	Screw-HHF
19	3220-2	2	Nut-Jam
22	1-513374	1	Meter-Hour
23	99-7408	1	Switch-Reverse
24	117-1283-03	1	Tray-Battery
25	1-633651	1	Bolt-Holddown
26	1-543792	1	Wingnut



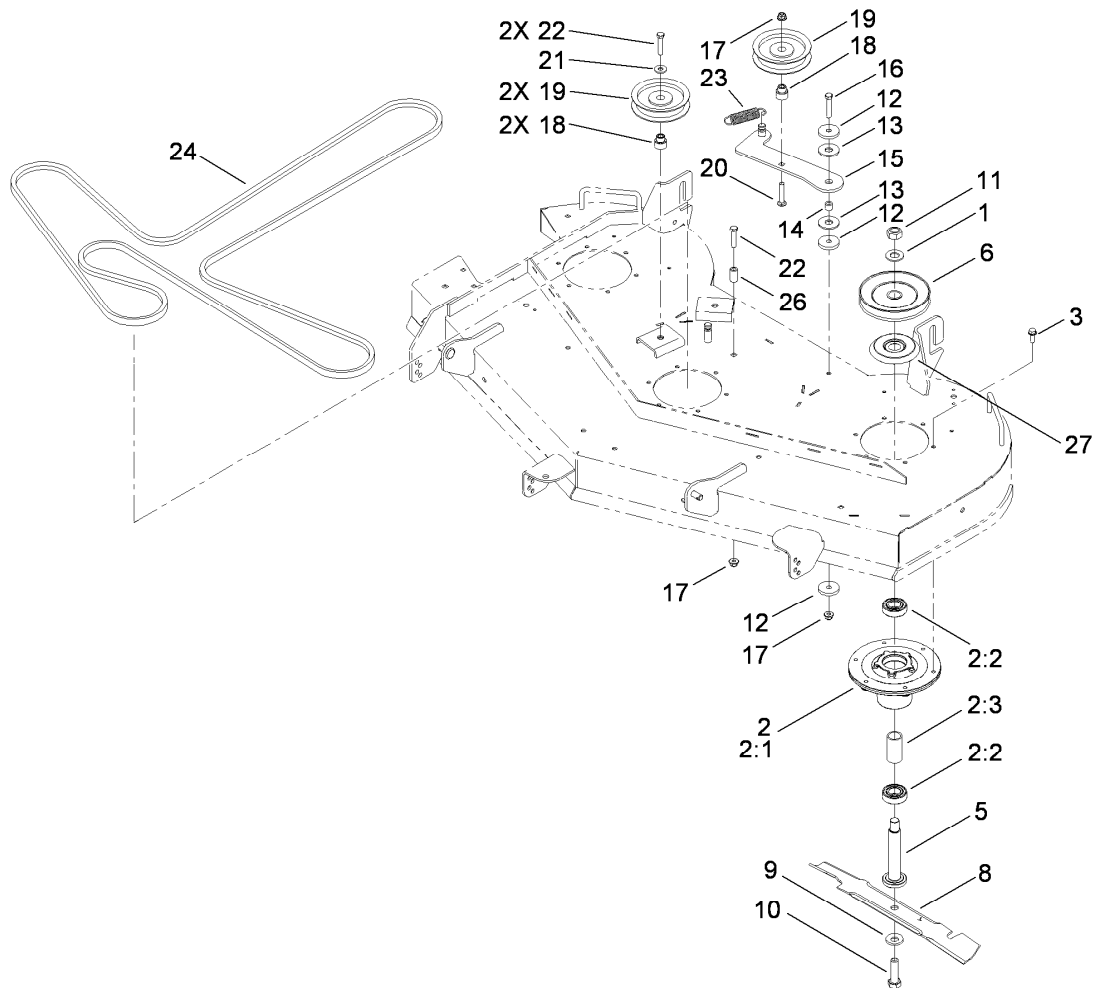
54 Inch Deck Assembly

<i>Ref.</i>	<i>Part Number</i>	<i>Qty.</i>	<i>Description</i>	<i>Ref.</i>	<i>Part Number</i>	<i>Qty.</i>	<i>Description</i>
1	117-5374	1	54 Inch Deck ASM	17	114-1648-03	1	Bracket-Deflector, Upper
2	115-5031-03	1	Cover-Belt, RH	18	117-1270	1	Deflector-Molded
3	115-5032-03	1	Cover-Belt, LH	19	115-5048-03	1	Plate-Deflector
4	32144-70	4	Screw-HWHTF	20	115-9653-03	1	Baffle-Cutoff
5	115-2622	2	Link-Lift	21	3230-3	4	Screw-CARR
6	3256-26	2	Washer-Flat	22	3230-22	4	Screw-CARR
7	1-806005	2	Pin-Hair	23	104-8300	8	Nut-Flange, NI
8	112-3977	3	Bolt-Shoulder	24	109-8854	1	Pin-Chute
9	104-8301	3	Nut-Flange, NI	25	115-9641	1	Spring-Torsion
10	1-603299	3	Roller-Scalp, Anti	26	95-2747	2	Fitting-Washout
11	117-1282-03	1	Plate-Cover	27	46-6290	2	O-Ring, Seal
12	115-2470	2	Pin-Latch	28	46-8560	4	Screw-HHF
13	101853	2	Spring-Compression	29	95-3270	1	Connector-Hose
14	3256-24	2	Washer-Flat	30	117-5302	1	Decal-54 Inch
15	3272-10	2	Pin-Cotter	31	93-7009	1	Decal-Danger, Deflector
16	3256-68	2	Washer-Flat				



Deck and Decal Assembly No. 117-5374

<i>Ref.</i>	<i>Part Number</i>	<i>Qty.</i>	<i>Description</i>
2	114-1606	2	Decal-Danger, Pulley
3	93-7009	1	Decal-Danger, Deflector
4	110-6691	2	Decal-Danger
5	112-9840	1	Decal-Scalp, Anti
6	117-1194	1	Decal-Routing, Belt
7	322-2	3	Screw-HH
8	104-8300	3	Nut-Flange, NI



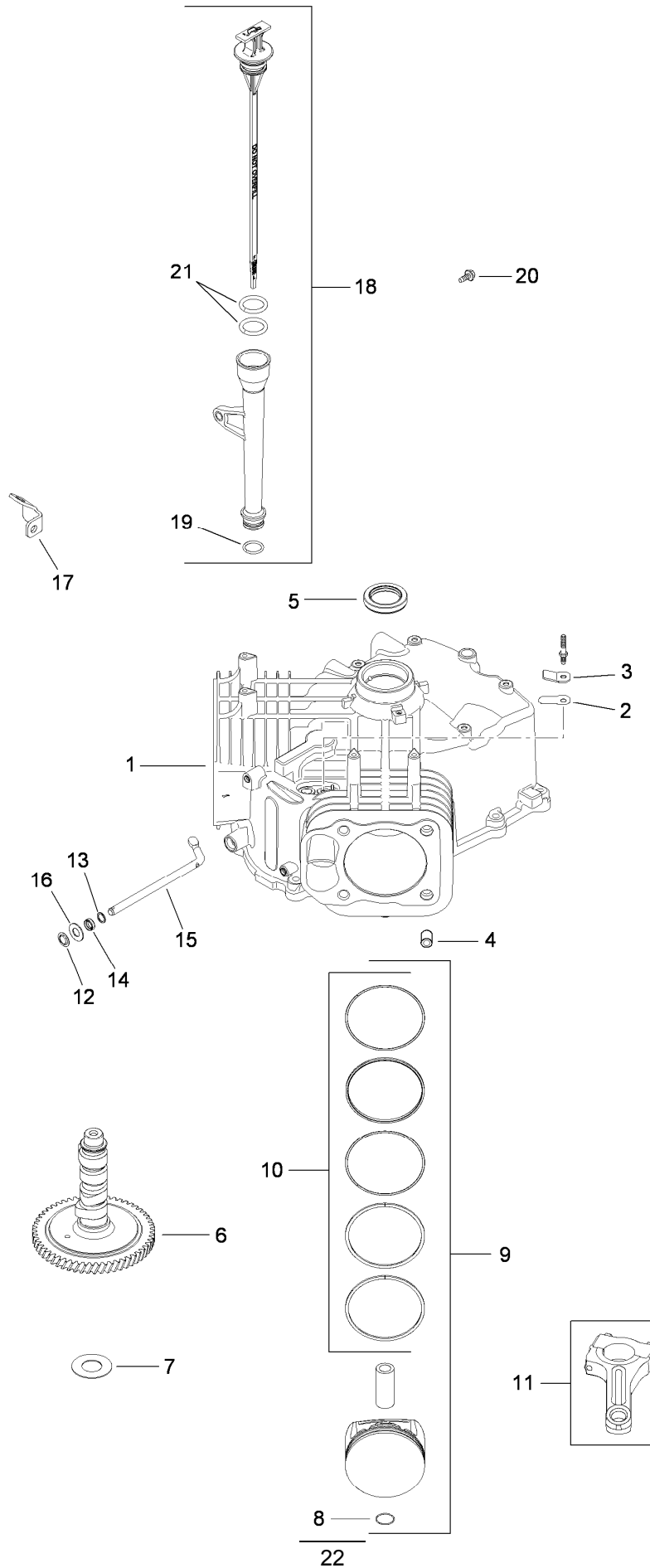
54 Inch Deck Spindle and Blade Assembly

Ref.	Part Number	Qty.	Description
1	7-4150	3	Washer
2	117-1250	3	Spindle ASM
2:1		1	Housing-Spindle ●
2:2	104-6325	2	Bearing-Ball
2:3	115-2641	1	Spacer-Bearing
3	32144-41	18	Screw-Taptite
5	115-2642	3	Shaft-Spindle
6	115-5018	3	Pulley
8	115-9650-03	3	Blade-Hi Flo, 18.75"
9	22-8520	3	Washer-Belleville
10	51-4060	3	Screw-Blade
11	3219-7	3	Nut-Hex
12	110-9981	3	Washer-Plain
13	114-0463	2	Washer-Friction, Composite

Ref.	Part Number	Qty.	Description
14	1-413088	1	Bushing-Lever, Lift
15	115-5054	1	Idler Arm ASM
16	323-10	1	Screw-HH
17	104-8301	3	Nut-Flange, NI
18	115-2577	3	Bushing-Idler
19	1-603843	3	Pulley-Idler
20	3231-6	1	Screw-CARR
21	80-6990	2	Washer-Hardened
22	323-9	3	Screw-HH
23	108-4056	1	Spring-Extension
24	115-4971	1	V-Belt
26	1-603401	1	Spacer-Fender
27	117-7210	3	Shield-Bearing

● Not serviced separately

Crankcase Assembly Kohler SV820-0015

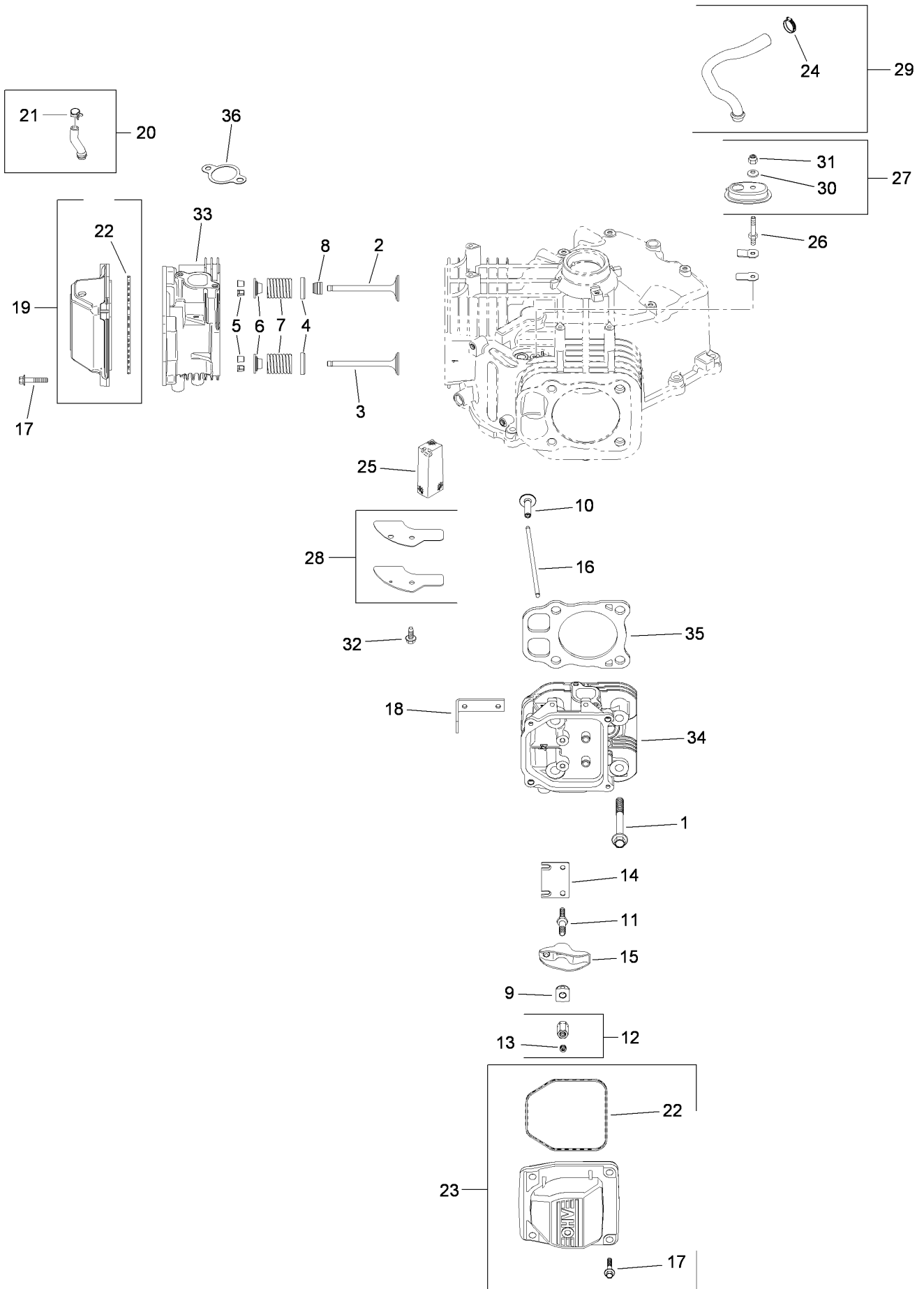


Crankcase Assembly Kohler SV820-0015 (continued)

<i>Ref.</i>	<i>Part Number</i>	<i>Qty.</i>	<i>Description</i>	<i>Ref.</i>	<i>Part Number</i>	<i>Qty.</i>	<i>Description</i>
1	32 522 03	1	Shortblock (Sv710-740) ●	8	24 018 01-S	4	Retainer-Pin, Piston ●
2	12 402 02-S	1	Reed-Breather ●	9	25 874 01-S	2	Piston W/Ring Set (STD) ●
3	24 018 04-S	1	Retainer-Reed, Breather ●	9	25 874 03-S	1	Piston W/Ring Set (.25) ●
4	24 380 16-S	6	Pin-Locating ●	10	24 108 14-S	1	Piston Ring Set (STD) ●
5	24 032 19-S	1	Seal-Oil (Helix Lip) ●	10	24 108 16-S	1	Piston Ring Set (.25) ●
6	32 012 01-S	1	Camshaft Kit ●	11	24 067 24-S	2	Rod-Connecting (STD) ●
7	12 422 07-S	1	Shim-Camshaft (White .028) ●	12	24 018 09-S	1	Retainer-Ring ●
7	12 422 08-S	1	Shim-Camshaft (Blue .03) ●	13	24 468 15-S	1	Washer-Flat (11/32) ●
7	12 422 09-S	1	Shim-Camshaft (Red .032) ●	14	28 032 09-S	1	Seal-Cross Shaft, Governor ●
7	12 422 10-S	1	Shim-Camshaft (Yellow .034) ●	15	24 144 38-S	1	Shaft-Cross, Governor ●
7	12 422 11-S	1	Shim-Camshaft (Green .036) ●	16	M-931010-S	1	Washer-Flat (9Mm) ●
7	12 422 12-S	1	Shim-Camshaft (Gray .038) ●	17	24 126 19-S	1	Bracket-Tube, Oil Fill ●
7	12 422 13-S	1	Shim-Camshaft (Black .04) ●	18	32 755 04-S	1	Dipstick And Tube ASM ●
				19	12 153 01-S	1	O-Ring (Lower Oil Fill Tube) ●
				20	M-545013-S	1	Screw-Flg, Thd Frm (M5X0.8X13) ●
				21	20 153 01-S	2	O-Ring (Dipstick) ●

● Obtain parts from www.kohlerplus.com

Head, Valve and Breather Assembly Kohler SV820-0015

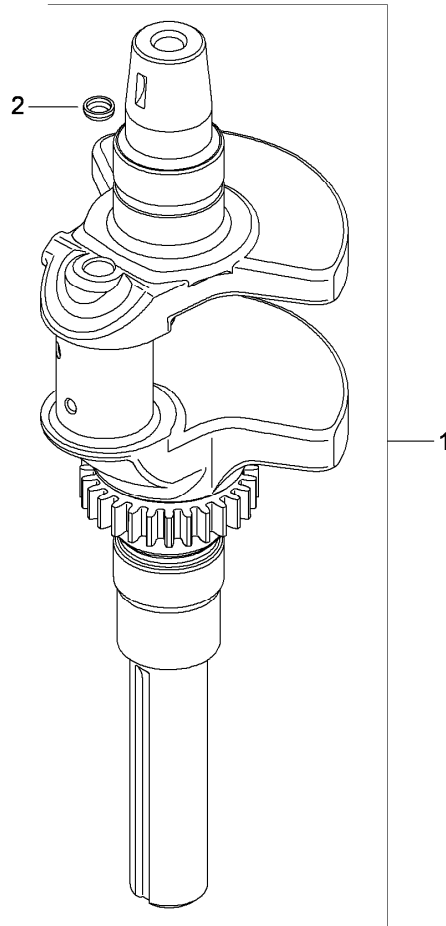


Head, Valve and Breather Assembly Kohler SV820-0015 (continued)

<i>Ref.</i>	<i>Part Number</i>	<i>Qty.</i>	<i>Description</i>	<i>Ref.</i>	<i>Part Number</i>	<i>Qty.</i>	<i>Description</i>
1	62 086 08-S	8	Screw-Flange (M10X1.5X90) ■	24	25 237 14-S	1	Clamp-Hose, Spring (1/2) ■
2	24 017 01-S	2	Valve-Intake (STD) ■	25	32 050 01-S	1	Filter-Breather ■
3	24 016 01-S	2	Valve-Exhaust (STD) ■	26	32 072 03-S	1	Stud-Cover, Breather ■
4	235011-S	4	Retainer-Spring ■	27	32 081 02-S	1	Breather Housing Kit (Includes Ref 30, 31) ■
5	12 755 03-S	4	Retainer Kit ■	28	32 096 04-S	1	Breather Cover Kit ■
6	12 173 01-S	4	Cap-Spring, Valve ■	29	32 326 06-S	1	Breather Hose Kit (Includes Ref 24) ■
7	24 089 02-S	4	Spring-Valve ■	30	32 468 01-S	1	Washer-Sealing ■
8	66 032 05-S	2	Seal-Stem, Valve ■	31	M-547050-S	1	Nut-Lock (M5X.8) ■
9	25 599 01-S	4	Pivot-Arm, Rocker ■	32	M-645016-S	1	Screw-Flange, Thread Forming (M6X1.0X16) ■
10	32 019 02-S	4	Tappet Kit ■	33	32 318 13-S	1	Cylinder Head No.1 ASM (Includes Exhaust Mounting Hardware) ■
11	32 072 04-S	4	Stud-Rocker ■	34	32 318 14-S	1	Cylinder Head No.2 ASM (Includes Exhaust Mounting Hardware) ■
12	32 100 05-S	4	Hex Nut ASM (Includes Ref 13) ■	35	32 841 01-S	1	Cylinder Head Gasket Kit ■
13	25 086 168-S	4	Screw-Set ■	36	24 041 49-S	2	Gasket-Exhaust ■
14	32 146 09-S	2	Plate-Guide ■		32 755 01-S	1	Overhaul Gasket Kit ■●
15	32 186 03-S	4	Arm-Rocker ■		32 755 03-S	2	Cylinder Head Hardware Kit (Services 1 Head. Qty Listed For Both Heads) (Includes Ref 2-9, 11-16) ■●
16	32 411 04-S	4	Rod-Push ■				
17	M-651030-S	8	Screw-Flange (M6X1.0X30) ■				
18	25 445 01-S	1	Strap-Lifting ■				
19	32 096 06-S	1	Breather Valve Cover Kit (Includes Ref 22 [qty 1]) ■				
20	32 326 07-S	1	Fuel Pump Hose W/Clamp Kit (Includes Ref 21) ■				
21	25 237 01-S	1	Clamp-Hose ■				
22	24 153 30-S	1	O-Ring ■				
23	24 755 141-S	1	Plain Rocker Cover Kit (Includes Ref 17 [qty 1], 22) ■				

● Not illustrated

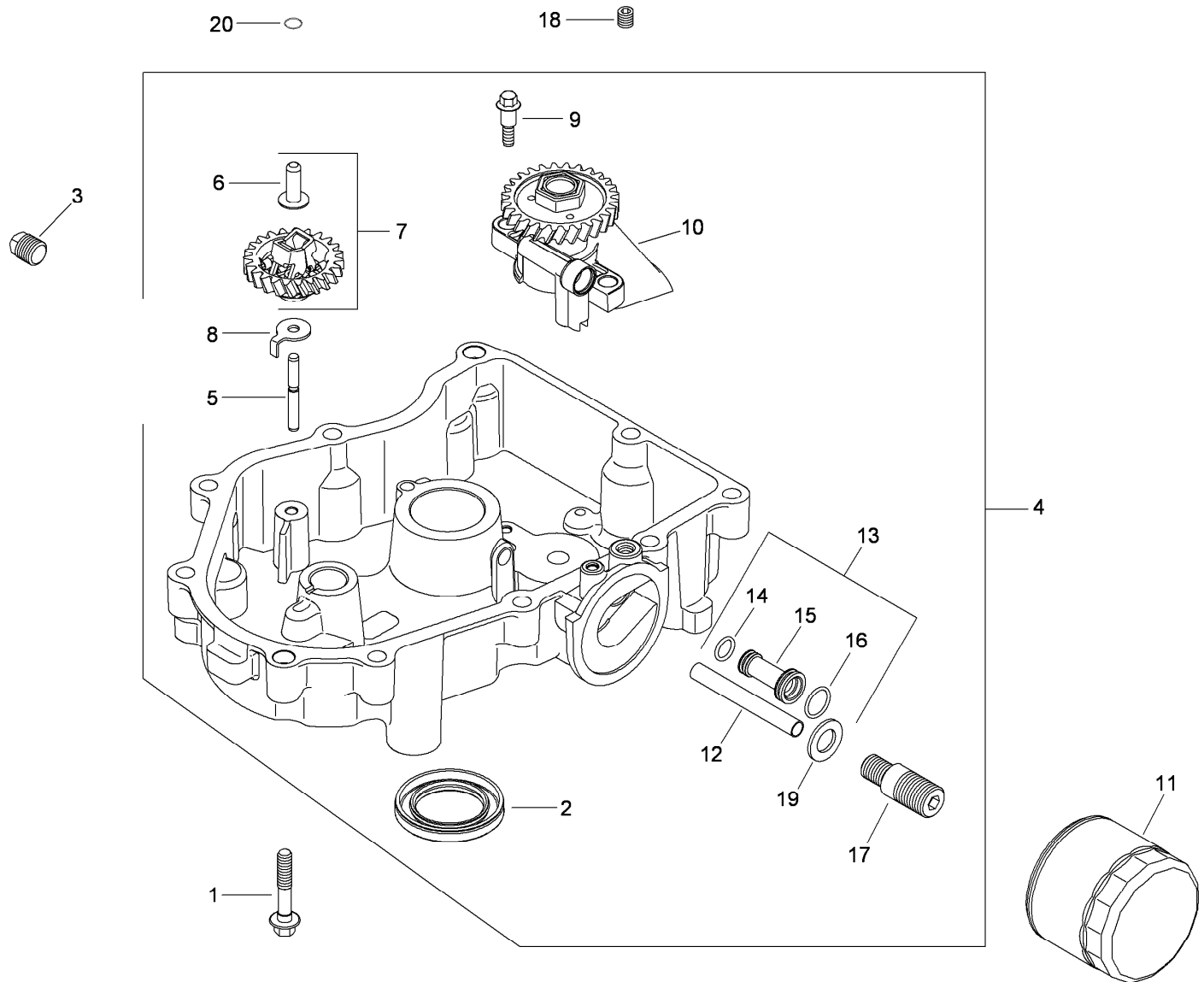
■ Obtain parts from www.kohlerplus.com



Crankshaft Assembly Kohler SV820-0015

<i>Ref.</i>	<i>Part Number</i>	<i>Qty.</i>	<i>Description</i>
1	32 014 04-S	1	Crankshaft ASM (Includes 2) ●
2	52 139 09-S	1	Plug-Cup ●

● Obtain parts from www.kohlerplus.com

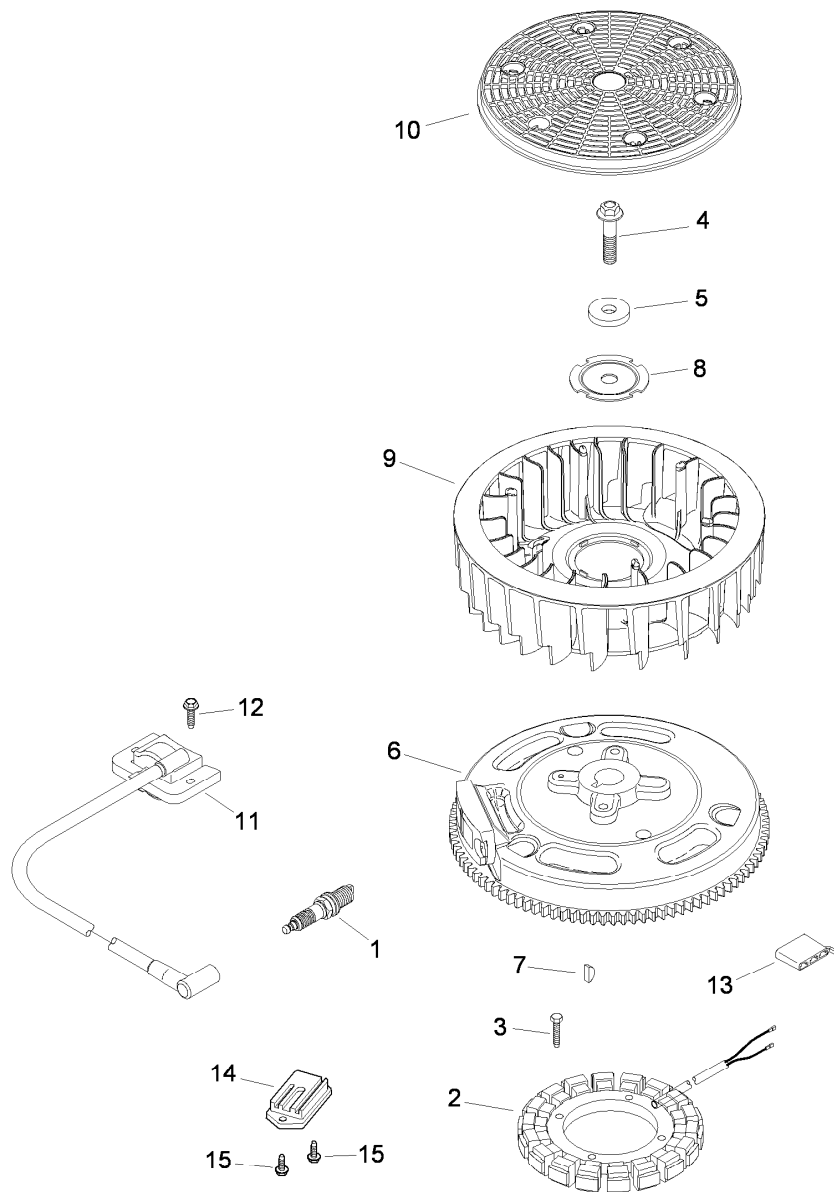


Oil Pan and Lubrication Assembly Kohler SV820-0015

Ref.	Part Number	Qty.	Description	Ref.	Part Number	Qty.	Description
1	24 086 17-S	10	Screw-Flange (M8X1.25X45) ■	11	25 050 34-S	1	Filter-Oil ■
2	25 032 06-S	1	Seal-Oil ■	12	32 123 01-S	1	Tube-Feed, Oil (Filter To Pan) ■
3	25 139 57-S	2	Plug-Pipe, Sq HD (3/8) ■	13	32 123 09-S	1	Oil Feed Tube ASM (Includes Ref 12, 14-16, 19) ■
4	32 199 14-S	1	Oil Pan ASM (Includes Ref 2, 4-10, 13-17, 19) ■	14	24 153 01-S	1	O-Ring (Oil Pick-Up) ■
5	12 144 02-S	1	Shaft-Gear, Governor ■	15	32 123 06-S	1	Tube-Feed, Oil ■
6	12 380 01-S	1	Pin-Regulating, Governor ■	16	32 153 05-S	1	O-Ring ■
7	24 043 12-S	1	Governor Gear W/Pin Kit (Includes Ref 6) ■	17	32 136 05-S	1	Nipple-Filter, Oil ■
8	24 448 02-S	1	Tab-Locking ■	18	25 139 60-S	1	Plug-Pipe, Countersunk (1/8) ■
9	32 086 01-S	2	Screw-Shoulder, Thd Frm (M6X1.0X26.5) ■	19	32 468 02-S	1	Washer-Flat ■
10	32 393 10-S	1	Oil Pump ASM ■	20	32 018 01-S	1	Retainer-Pin ■●

● Not illustrated

■ Obtain parts from www.kohlerplus.com



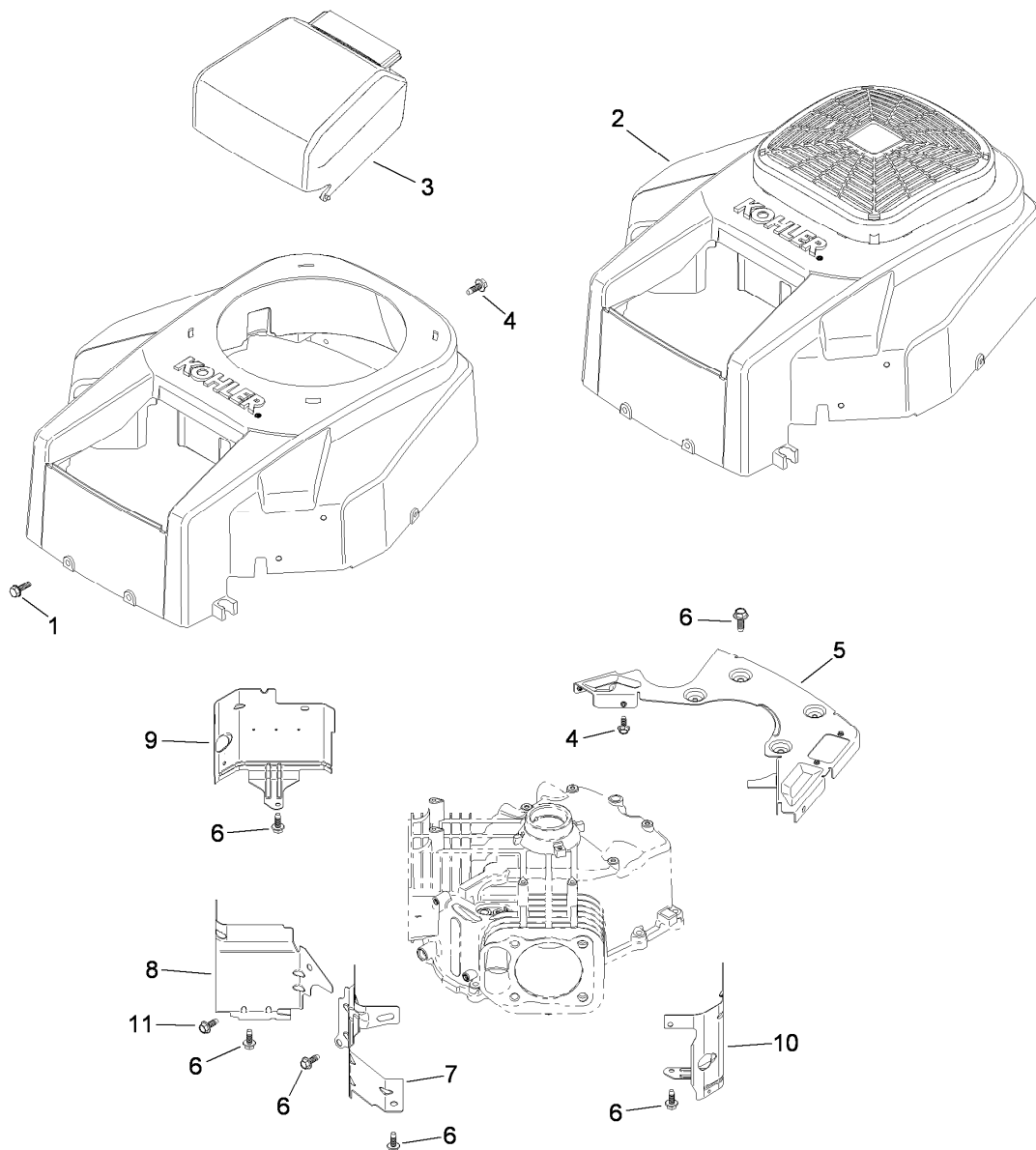
Ignition and Electrical Assembly Kohler SV820-0015

Ref.	Part Number	Qty.	Description
1	25 132 16-S	2	Sparkplug ■
2	237878-S	1	15 Amp Stator Kit (Includes 25 452 01-S) ■
3	M-548025-S	2	Screw-Thread Forming (M5X0.8X25) ■
4	12 086 14-S	1	Screw-Flange (M10X1.5X45) ■
5	12 468 03-S	1	Washer-Flat (13/32) ■
6	32 025 16-S	1	Flywheel ASM ■
7	X-42-15-S	1	Key (3/16 X 5/8) ■
8	20 146 05-S	1	Plate-Mounting, Fan ■
9	32 157 01-S	1	Fan ■
10	32 162 03-S	1	Screen-Grass ■

Ref.	Part Number	Qty.	Description
11	24 584 45-S	2	Module-Ignition (C D I Fixed) ■
12	M-545020-S	4	Screw-Flange, Thread Forming (M5X.8X20) ■
13	25 155 41-S	1	Connector (3 Contact) ■
14	41 403 10-S	1	Rectifier/Regulator ■
15	25 086 158-S	2	Screw-Flanged, Thread Forming (M6X1.0X11) ■
	25 454 03-S	2	Tie-Wire ■●
	25 454 05-S	1	Tie ■●
	32 176 14-S	1	Wire Harness Kit ■●
	25 452 01-S	2	Terminal ■●

● Not illustrated

■ Obtain parts from www.kohlerplus.com

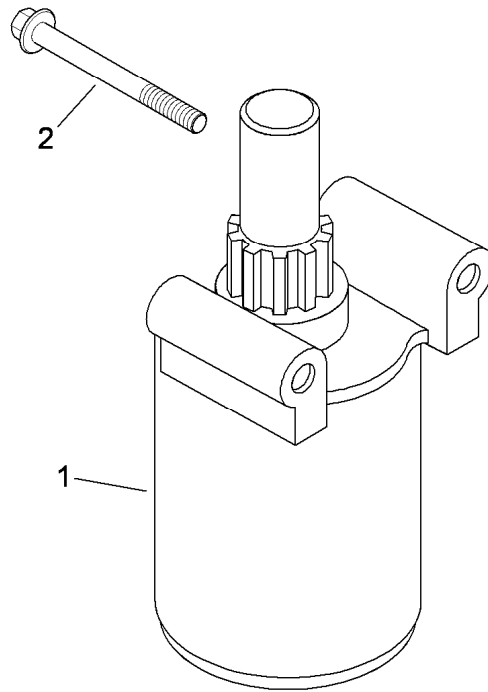


Blower Housing Assembly Kohler SV820-0015

Ref.	Part Number	Qty.	Description
1	24 086 12-S	2	Screw-TAP (M6X1.7X18) ■
2	32 027 08-S	1	Blower Housing ASM (Fixed Guard) (Includes 41 037 10-S) ■
3	32 096 09-S	1	Cover-Cleaner, Air (Black) ■
4	M-545016-S	6	Screw-Flange, Thread Forming (M5X0.8X16) ■
5	32 146 05-S	1	Plate-Backing ■
6	M-645016-S	8	Screw-Flange, Thread Forming (M6X1.0X16) ■
7	32 063 02-S	1	Baffle-Valley (No.2 Side) ■
8	32 063 03-S	1	Baffle-Valley (No.1 Side) ■
9	32 063 10-S	1	Baffle-Barrel, Cylinder (No.1 Side) ■
10	32 063 12-S	1	Baffle-Barrel, Cylinder (No.2 Side) ■
11	M-545010-S	2	Screw-HHFTF (M5X.80X10) ■
	32 113 53-S	1	Decal-Fixed Guard, Courage Pro ■●
	41 037 10-S	1	Nameplate-Service ■●

● Not illustrated

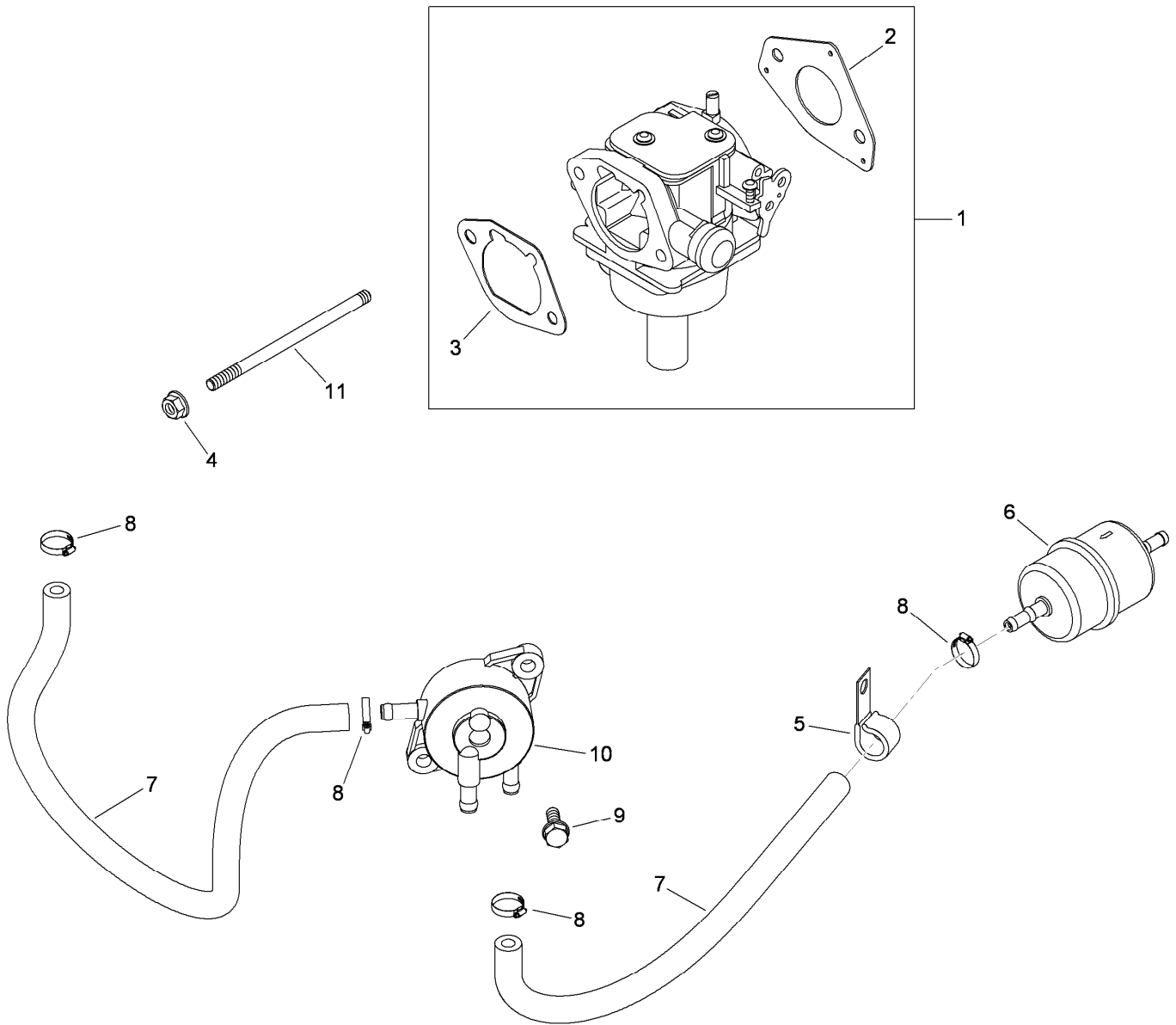
■ Obtain parts from www.kohlerplus.com



Starter Assembly Kohler SV820-0015

<i>Ref.</i>	<i>Part Number</i>	<i>Qty.</i>	<i>Description</i>
1	32 098 03-S	1	Starter ASM ●
2	M-851080-S	2	Screw-Flange (M8X1.25X80) ●

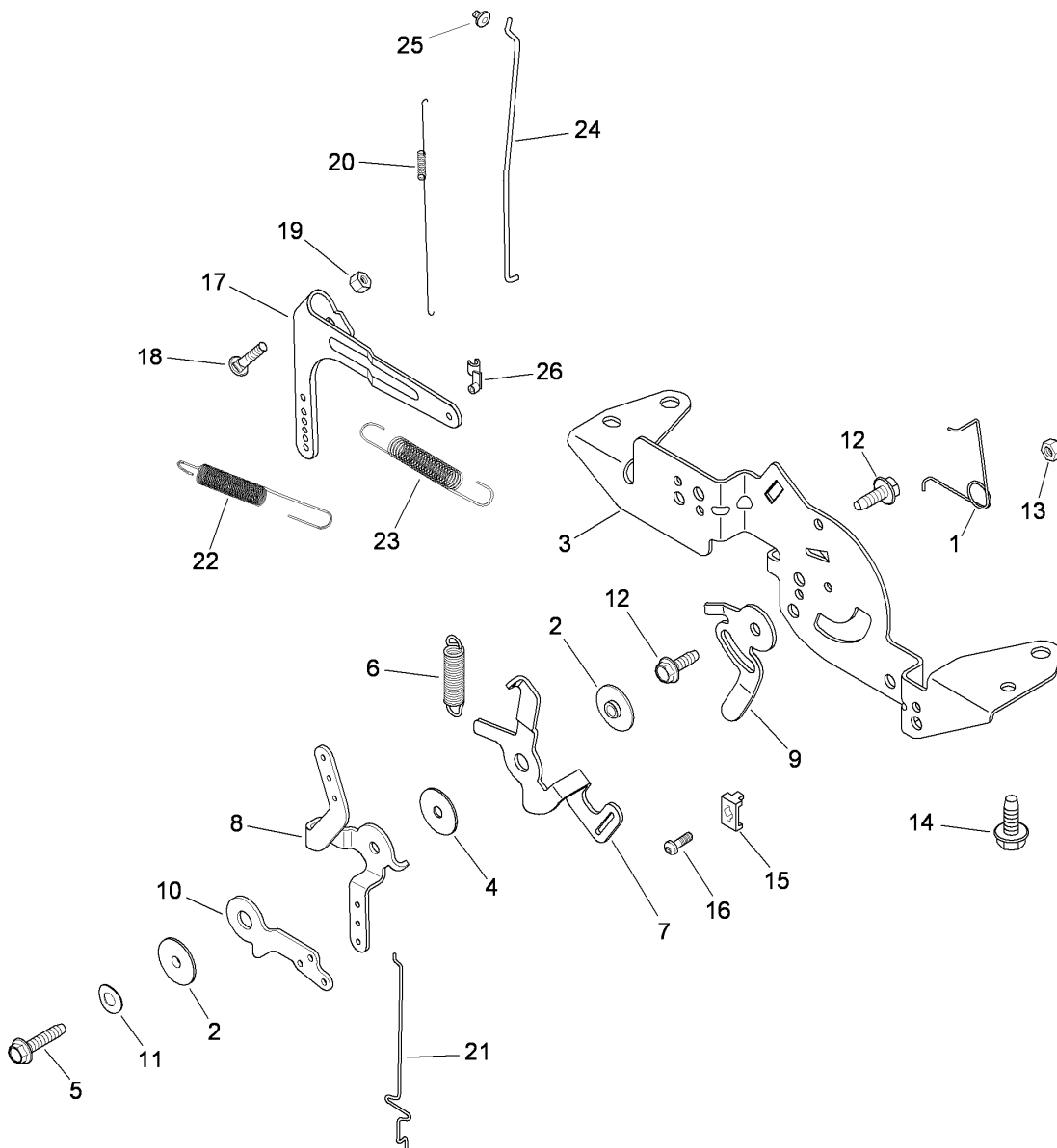
● Obtain parts from www.kohlerplus.com



Fuel System Assembly Kohler SV820-0015

Ref.	Part Number	Qty.	Description
1	32 853 11-S	1	Carburetor Kit (19Mm Keihin) (Includes Ref 2, 3) ●
2	24 041 52-S	1	Gasket-Carburetor ●
3	24 041 14-S	1	Gasket-Base, Air Cleaner ●
4	M-641060-S	2	Nut-Flange (M6X1.0) ●
5	47 154 01-S	1	Clip-Cable ●
6	24 050 13-S	1	Filter-Fuel ●
7	25 111 34-S	2	Line-Fuel (24.0 Cut To Length) ●
8	25 237 14-S	4	Clamp-Hose, Spring (1/2) ●
9	24 086 12-S	2	Screw-TAP (M6X1.7X18) ●
10	24 393 16-S	1	Pump-Fuel ●
11	M-629105-S	2	Stud (M6X1.0X106) ●

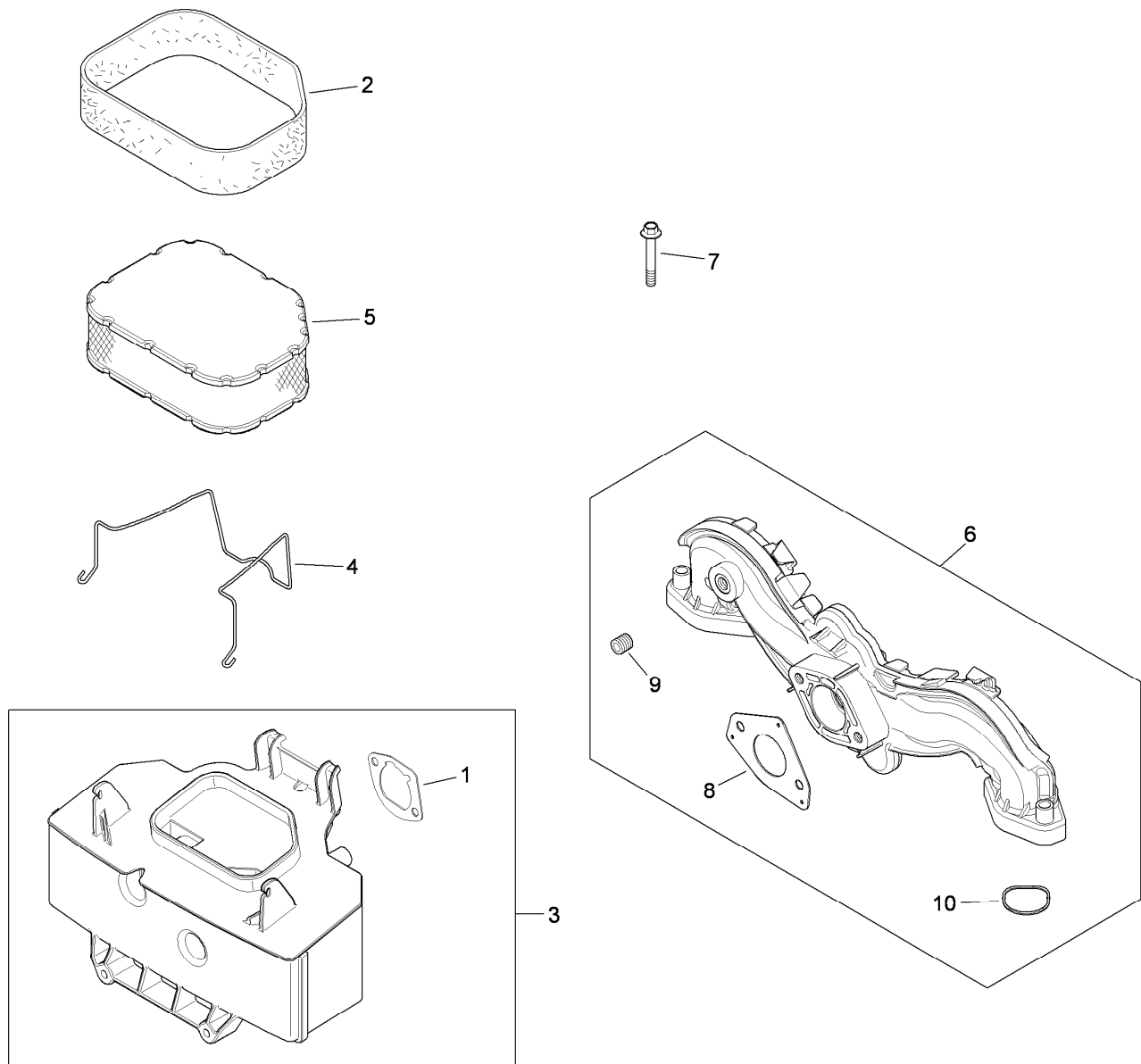
● Obtain parts from www.kohlerplus.com



Engine Control Assembly Kohler SV820-0015

Ref.	Part Number	Qty.	Description	Ref.	Part Number	Qty.	Description
1	24 089 03-S	1	Spring-Return, Choke ●	15	12 237 01-S	1	Clamp-Cable ●
2	24 112 27-S	2	Control Spacer ASM ●	16	24 086 43-S	1	Screw-Lbd, Thd Frm (M5X0.8X16) ●
3	24 126 172-S	1	Bracket-Control ●	17	24 090 51-S	1	Lever-Governor ●
4	24 468 01-S	1	Washer-Flat (5.5Mm) ●	18	24 211 03-S	1	Bolt-Sq Neck, Rd HD (M6X1.0X25) ●
5	25 086 151-S	1	Screw-Thread Forming (M5X0.8X25Mm) ●	19	M-641060-S	1	Nut-Flange (M6X1.0) ●
6	32 089 03-S	1	Spring-Control, Speed ●	20	24 089 01-S	1	Spring-Linkage ●
7	32 090 07-S	1	Lever-Spring, Governor ●	21	24 079 22-S	1	Linkage-Choke ●
8	32 090 08-S	1	Lever-Control, Speed ●	22	24 089 25-S	1	Spring-Governor ●
9	32 090 09-S	1	Lever-Setting, Speed ●	23	24 089 55-S	1	Spring-Governor ●
10	32 090 10-S	1	Lever-Choke ●	24	24 079 04-S	1	Linkage-Throttle ●
11	41 468 03-S	1	Washer-Spring (1/4) ●	25	25 158 08-S	1	Bushing-Linkage, Throttle ●
12	M-545016-S	1	Screw-Flange, Thread Forming (M5X0.8X16) ●	26	25 158 11-S	1	Bushing-Retaining, Linkage ●
13	M-547050-S	1	Nut-Lock (M5X.8) ●				
14	M-645016-S	4	Screw-Flange, Thread Forming (M6X1.0X16) ●				

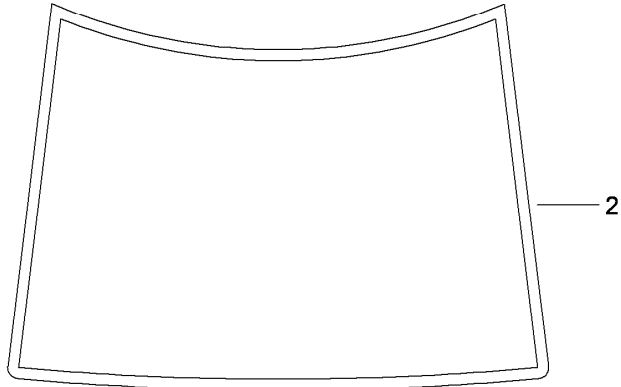
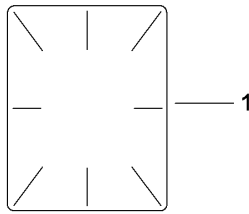
● Obtain parts from www.kohlerplus.com



Air Intake and Filtration Assembly Kohler SV820-0015

Ref.	Part Number	Qty.	Description
1	24 041 14-S	1	Gasket-Base, Air Cleaner ●
2	32 083 08-S	1	Element-Cleaner, Pre ●
3	32 094 04-S	1	Air Cleaner Base Kit (Includes Ref 1) ●
4	32 344 03-S	1	Latch-Element, Air Cleaner ●
5	32 083 06-S	1	Element-Filter, Air ●
6	24 164 91-S	1	Intake Manifold ASM (Includes Ref 8-10) ●
7	M-651040-S	4	Screw-Flange (M6X1.0X40) ●
8	24 041 52-S	1	Gasket-Carburetor ●
9	25 139 60-S	1	Plug-Pipe, Countersunk (1/8) ●
10	24 153 27-S	2	O-Ring ●

● Obtain parts from www.kohlerplus.com



Artwork is representative
 Actual labels may differ depending on model and specification number

Decals

Kohler SV820-0015

<i>Ref.</i>	<i>Part Number</i>	<i>Qty.</i>	<i>Description</i>
1	25 113 39-S	1	Decal-Laminate, Clear ●
2	32 113 36-S	1	Decal, 23 Hp ●

● Obtain parts from www.kohlerplus.com

Attachments and Accessories

For 74822 TITAN ZX5400 Zero-Turn-Radius Riding Mower

Product Name	Model/Part
54in Finishing Kit, Bagger	117-5311
54in Recycler Kit.....	117-5313
Hitch Kit	117-5315
Step Kit.....	117-5316
Light Kit.....	117-5317
Sunshade	117-5318
54in/60in Striping Kit.....	117-5319
Leaf Bagging Enhancement Kit	117-7202
Transport Seat Hold Down Kit.....	117-7251
Bagger	79326



Count on it.