



Count on it.

Parts Catalog

22in Recycler[®] Lawn Mower

Model No. 20334—Serial No. 31000001 and Up

Ordering Replacement Parts

To order replacement parts, please supply the part number, the quantity, and the description of each part desired.

Understanding Reference Numbers

Each identified part in an illustration has a reference number. The reference number for a part also appears in the parts list, along with other information about the part.

This catalog uses two special reference number formats, one to indicate parts in a service assembly and another to indicate the quantity of a given part in an illustration.

Service Assembly Reference Numbers

Parts in service assemblies have reference numbers in the form a:b. The a represents the reference number of the entire service assembly and the b represents a sequential number unique to each part within the service assembly.

For example, a wheel assembly might be identified by reference number 6, the tire by 6:1, the valve by 6:2, and the wheel by 6:3. When you order the assembly identified by reference number 6, you receive all parts identified by reference numbers 6:1, 6:2, and 6:3. However, you may also order any part individually. Reference numbers of this type appear in illustration and in parts lists.

Reference Numbers Indicating Quantity

In an illustration, if a reference number indicates more than one part, the reference number has the form nX y. The n represents the quantity of the part, the X is the multiplication symbol, and the y represents the reference number.

For example, in an illustration, the reference number 2X 37 means that two of the parts identified by reference number 37 are indicated.

List of Abbreviations

AR: as required

ASM: assembly

BBC: blade brake clutch

CARR: carriage

CCW: counter clock wise

CW: clockwise

DEG: degrees

ECM: electronic control module

EXT: external

FH: flat head

GA: gauge

HD: heavy-duty

HF: hex flange

HH: hex head

HHF: hex head flange

HHFTF: hex head flange thread forming

HJ: hex jam

HLH: hex lag head

HOC: height-of-cut

HSBH: hex socket button head

HSFH: hex socket flat head

HSH: hex socket head

HWH: hex washer head

HWHTF: hex washer head thread forming

HYD: hydraulic

LH: left hand

NI: nylon insert

NPTF: national pipe thread fine

PFH: phillips flat head

PPH: phillips pan head

PPHTF: phillips pan head thread forming

PRH: phillips round head

PTH: phillips truss head

PTO: power-take-off

RH: right hand

ROPS: roll-over protection system

RRB: rear roller brush

SFH: slotted fillister head

SHH: slotted hex head

SHWH: slotted hex washer head

SPH: slotted pan head

SQH: square head

SRH: slotted round head

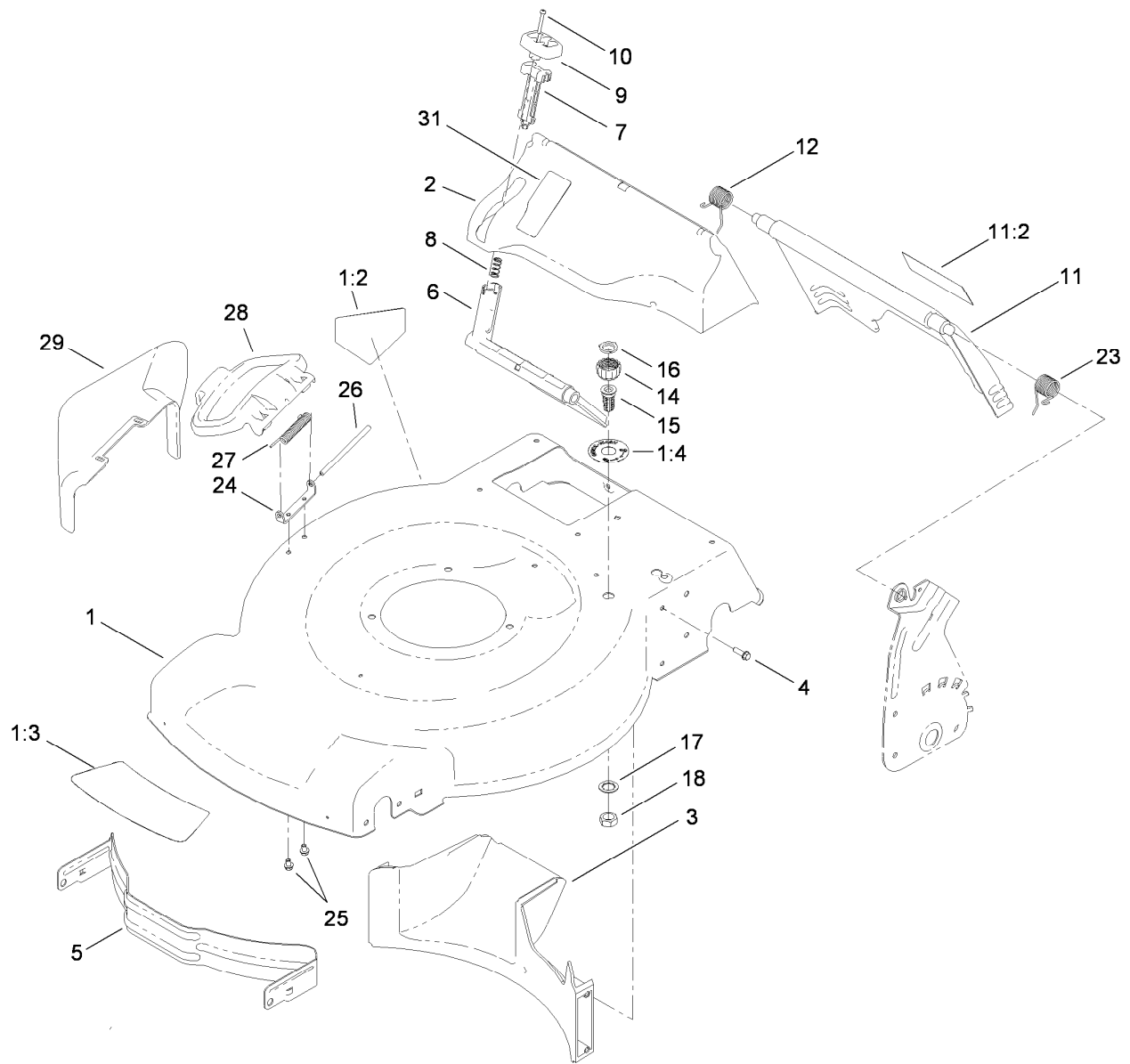
STD: standard

TAP: self tapping

TTH: torx truss head

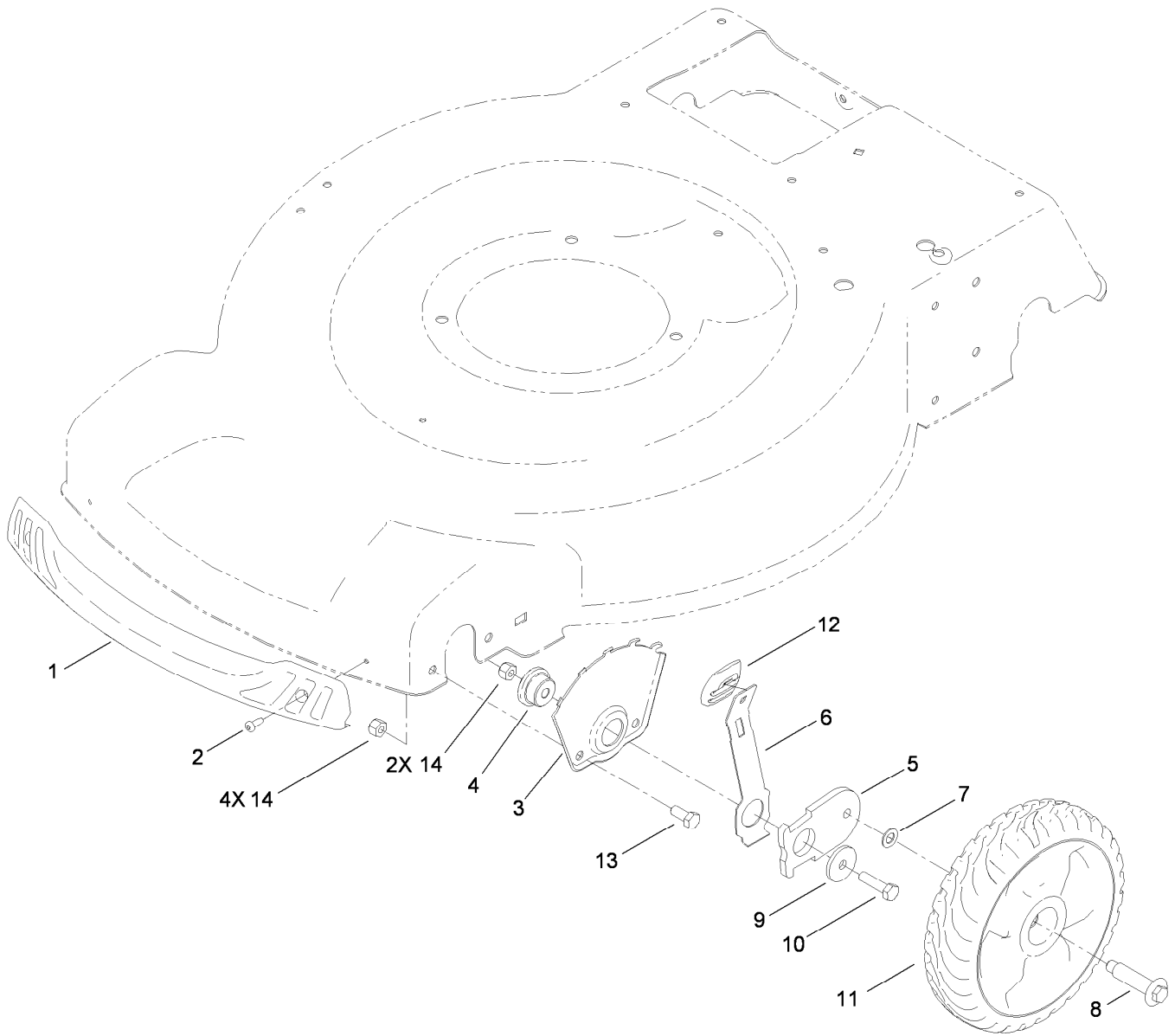
Contents

| | |
|---|----|
| Housing and Rear Door Assembly | 4 |
| Front Axle Assembly | 5 |
| Transmission, Rear Wheel and Height-of-Cut Assembly | 6 |
| Engine and Blade Assembly | 7 |
| Handle Assembly | 8 |
| Electrical Assembly | 9 |
| Rear Bag Assembly | 10 |
| Attachments and Accessories | 11 |



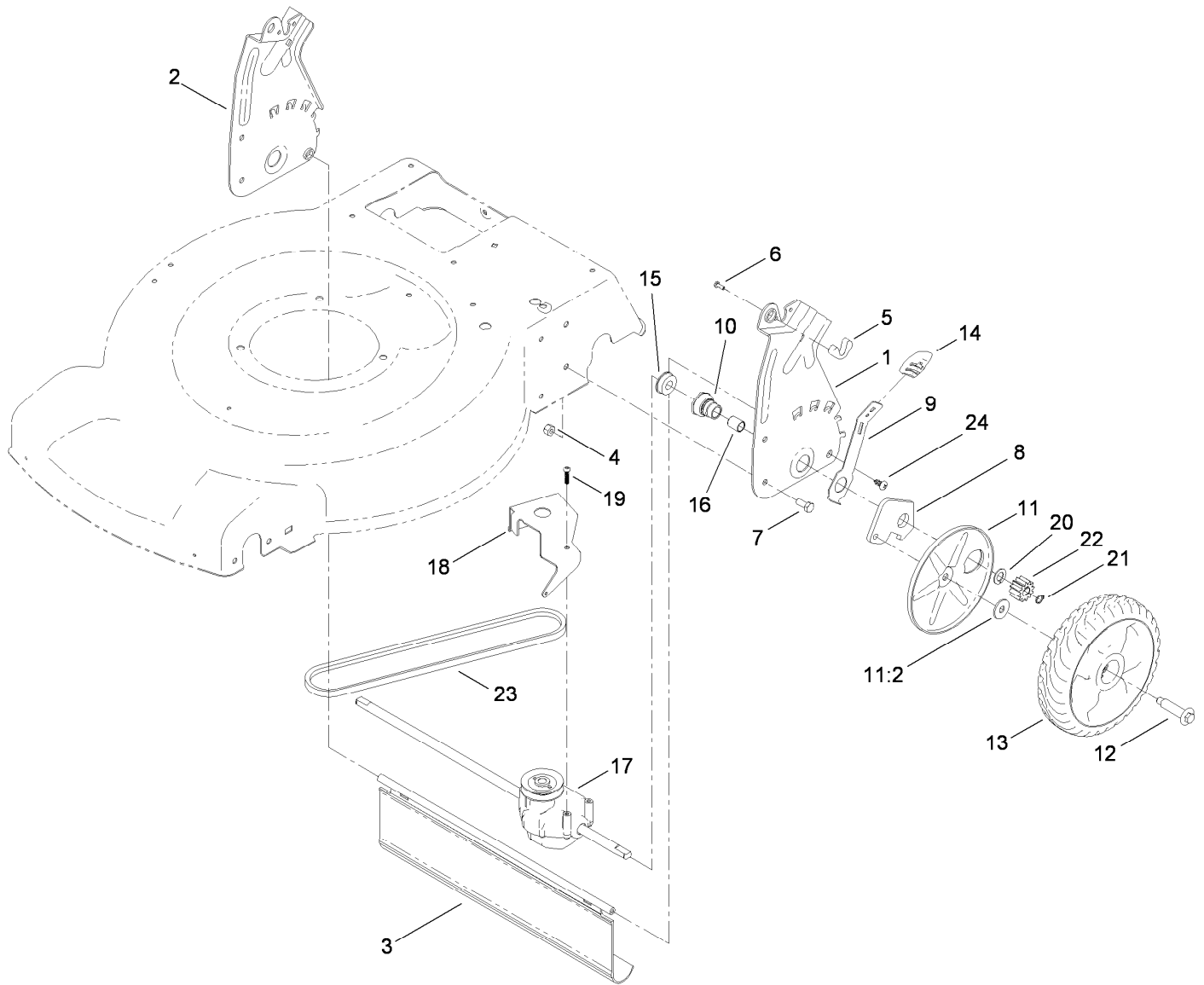
Housing and Rear Door Assembly

| <i>Ref.</i> | <i>Part Number</i> | <i>Qty.</i> | <i>Description</i> | <i>Ref.</i> | <i>Part Number</i> | <i>Qty.</i> | <i>Description</i> |
|-------------|--------------------|-------------|---------------------|-------------|--------------------|-------------|-----------------------------|
| 1 | 117-1084 | 1 | Housing ASM | 12 | 114-7924 | 1 | Spring-Torsion |
| 1:2 | 94-8072 | 1 | Decal-Danger | 14 | 112-6401 | 1 | Coupling-Hose, Washout Port |
| 1:3 | 115-4676 | 1 | Decal-Recycler | 15 | 112-6400 | 1 | Port-Washout |
| 1:4 | 112-8867 | 1 | Decal-Port, Washout | 16 | 112-6438 | 1 | Washer-Seal, Washout Port |
| 2 | 114-7957 | 1 | Chute-Recycle | 17 | 3254-5 | 1 | Washer-Tooth, Internal |
| 3 | 114-7961 | 1 | Baffle-Rear | 18 | 3218-6 | 1 | Nut-Jam |
| 4 | 46-8091 | 9 | Screw-HWH | 23 | 115-2859 | 1 | Spring-Torsion |
| 5 | 114-7963-01 | 1 | Baffle-Front | 24 | 112-6416 | 1 | Bracket-Cover |
| 6 | 114-7960 | 1 | Deflector-Recycle | 25 | 99-8445 | 2 | Screw-HWH |
| 7 | 114-7959 | 1 | Latch-Recycle | 26 | 99-5291 | 1 | Rod-Cover |
| 8 | 117-1031 | 1 | Spring-Compression | 27 | 99-5293 | 1 | Spring-Torsion |
| 9 | 114-7958 | 1 | Knob-Recycle | 28 | 115-8449 | 1 | Deflector-Side |
| 10 | 32104-120 | 2 | Screw-PPH | 29 | 115-8447 | 1 | Chute-Discharge, Side |
| 11 | 114-7992 | 1 | Rear Door ASM | 31 | 117-5928 | 1 | Decal-Bag On Demand |
| 11:2 | 114-7982 | 1 | Decal-Warning | | | | |



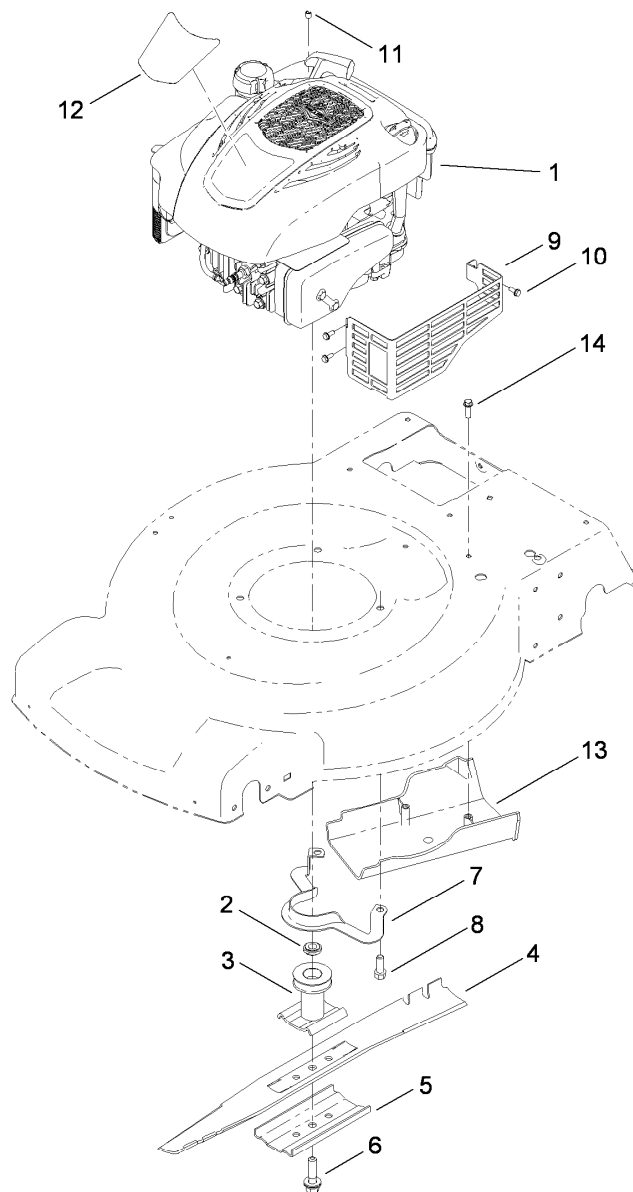
Front Axle Assembly

| Ref. | Part Number | Qty. | Description |
|------|-------------|------|----------------------|
| 1 | 114-7987 | 1 | Bumper |
| 2 | 105-6849 | 2 | Screw-Thread Forming |
| 3 | 115-1956-03 | 2 | Plate-HOC, Front |
| 4 | 105-1818 | 2 | Bushing-Mount, HOC |
| 5 | 105-1807 | 2 | Arm-Pivot, Front |
| 6 | 105-1809 | 2 | Arm-Spring |
| 7 | 40-1940 | 2 | Washer |
| 8 | 614650 | 2 | Bolt-Shoulder |
| 9 | 105-3048 | 2 | Washer-Flat |
| 10 | 322-6 | 2 | Screw-HH |
| 11 | 115-2894 | 2 | 8 Inch Wheel ASM |
| 12 | 105-3042 | 2 | Knob-Lever, HOC |
| 13 | 322-3 | 4 | Screw-HH |
| 14 | 3296-29 | 6 | Nut-Lock, NI |



Transmission, Rear Wheel and Height-of-Cut Assembly

| Ref. | Part Number | Qty. | Description | Ref. | Part Number | Qty. | Description |
|------|-------------|------|-----------------------|------|-------------|------|-----------------------|
| 1 | 114-7955-03 | 1 | Plate-LH, Rear (HOC) | 13 | 115-4695 | 2 | 8 Inch Wheel Gear ASM |
| 2 | 114-7956-03 | 1 | Plate-RH, Rear (HOC) | 14 | 105-3042 | 2 | Knob-Lever, HOC |
| 3 | 115-2893 | 1 | Shield-Trailing | 15 | 104-8699 | 2 | Bearing-Ball |
| 4 | 3296-29 | 4 | Nut-Lock, NI | 16 | 108-9782 | 2 | Bushing-Sleeve |
| 5 | 115-8406 | 2 | Anchor-Bag | 17 | 115-4652 | 1 | Transmission |
| 6 | 105-9437 | 2 | Screw-PPH | 18 | 114-7977-03 | 1 | Bracket-Transmission |
| 7 | 322-3 | 4 | Screw-HH | 19 | 108-7476 | 3 | Screw-Plastite |
| 8 | 108-9781 | 2 | Arm-Pivot, Rear | 20 | 110-7191 | 2 | Washer-Thrust |
| 9 | 108-9780 | 2 | Arm-Spring | 21 | 32151-61 | 2 | Ring-Retaining |
| 10 | 108-9779 | 2 | Retainer-Bushing, HOC | 22 | 115-4668 | 2 | Gear-Pinion, 12T |
| 11 | 110-1792 | 2 | Wheel Cover ASM | 23 | 115-4669 | 1 | Belt-V |
| 11:2 | 614426 | 1 | Washer-Stepped | 24 | 117-1092 | 2 | Screw-PTH |
| 12 | 614650 | 2 | Bolt-Shoulder | | | | |

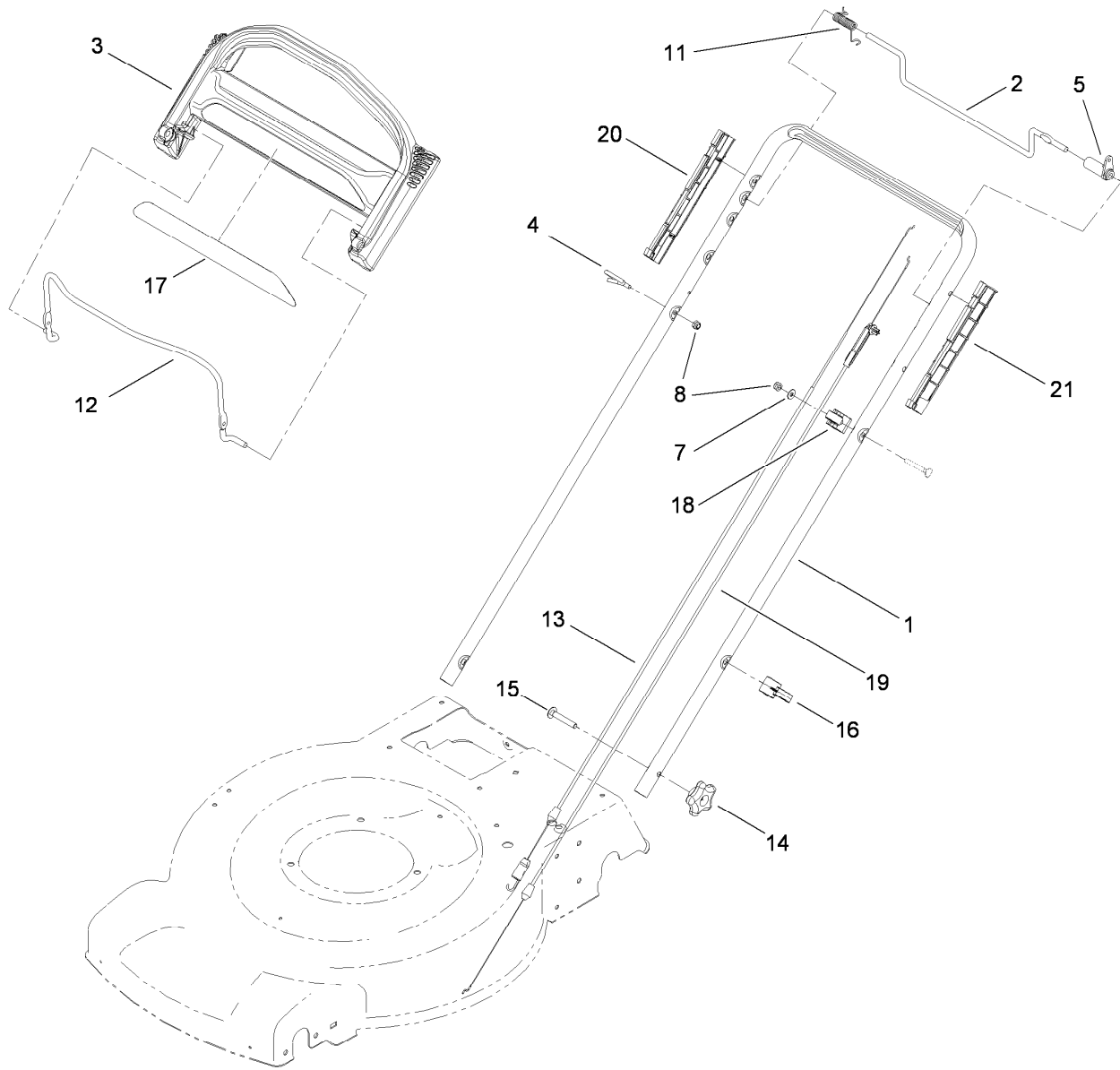


Engine and Blade Assembly

| Ref. | Part Number | Qty. | Description |
|------|-------------|------|----------------------------------|
| 1 | | 1 | Engine-Briggs, 128T05-3123-B1 ●■ |
| 2 | 106-3999 | 1 | Spacer-Driver |
| 3 | 106-3987 | 1 | Blade Driver ASM |
| 4 | 108-9764-03 | 1 | Blade-22 Inch |
| 5 | 108-3766-03 | 1 | Support-Blade |
| 6 | 105-8579 | 1 | Bolt-Blade |
| 7 | 105-3030-03 | 1 | Guide-Belt |
| 8 | 95-1726 | 3 | Screw-Taptite |
| 9 | 104-7577-03 | 1 | Shield-Muffler |
| 10 | 32144-1 | 3 | Screw-Taptite |
| 11 | 2210-316 | 1 | Stop-Rope |
| 12 | 119-0302 | 1 | Decal-Shroud |
| 13 | 114-7937 | 1 | Cover-Belt |
| 14 | 46-8091 | 2 | Screw-HWH |

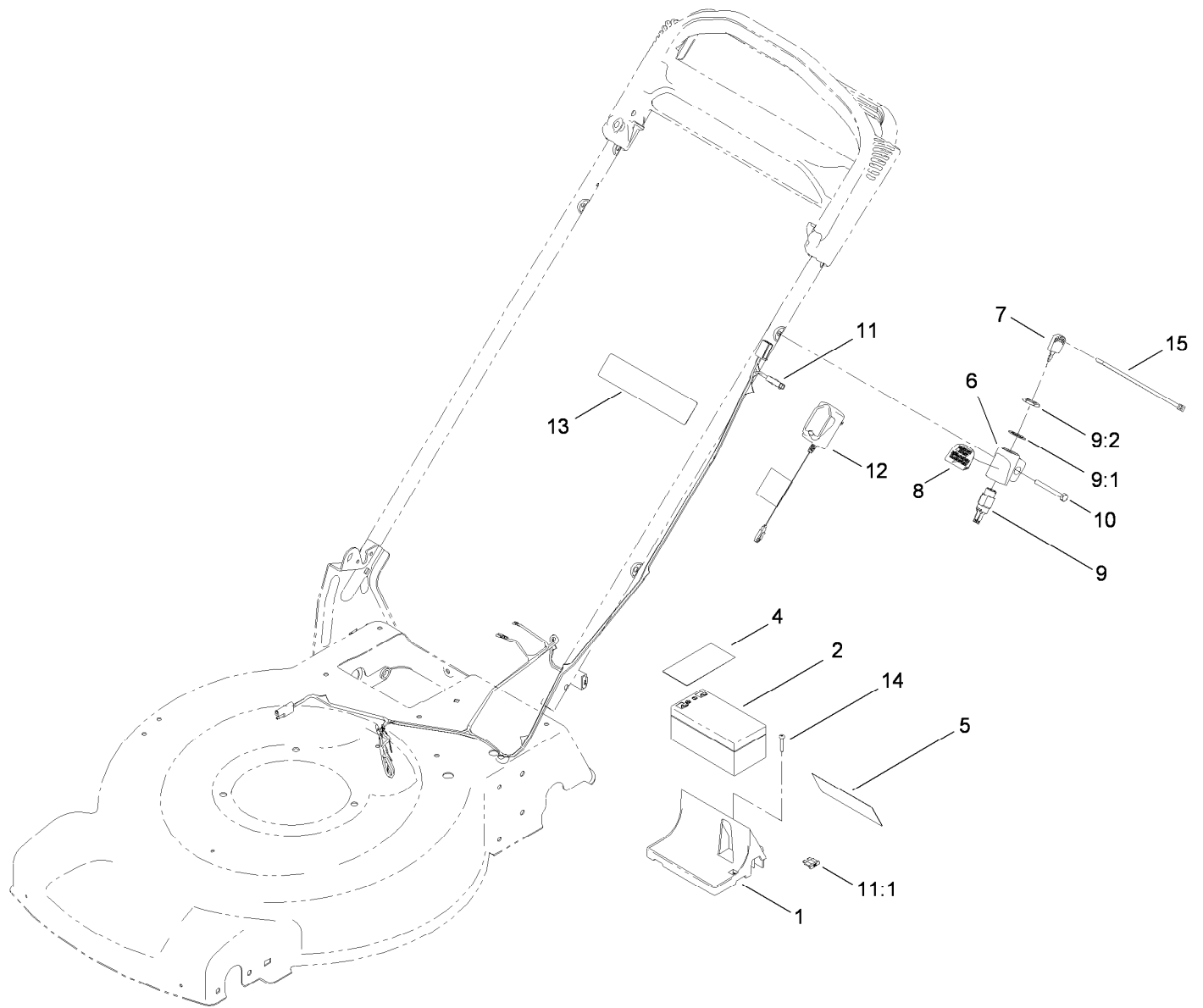
● Not serviced separately

■ Obtain parts from www.briggsandstratton.com



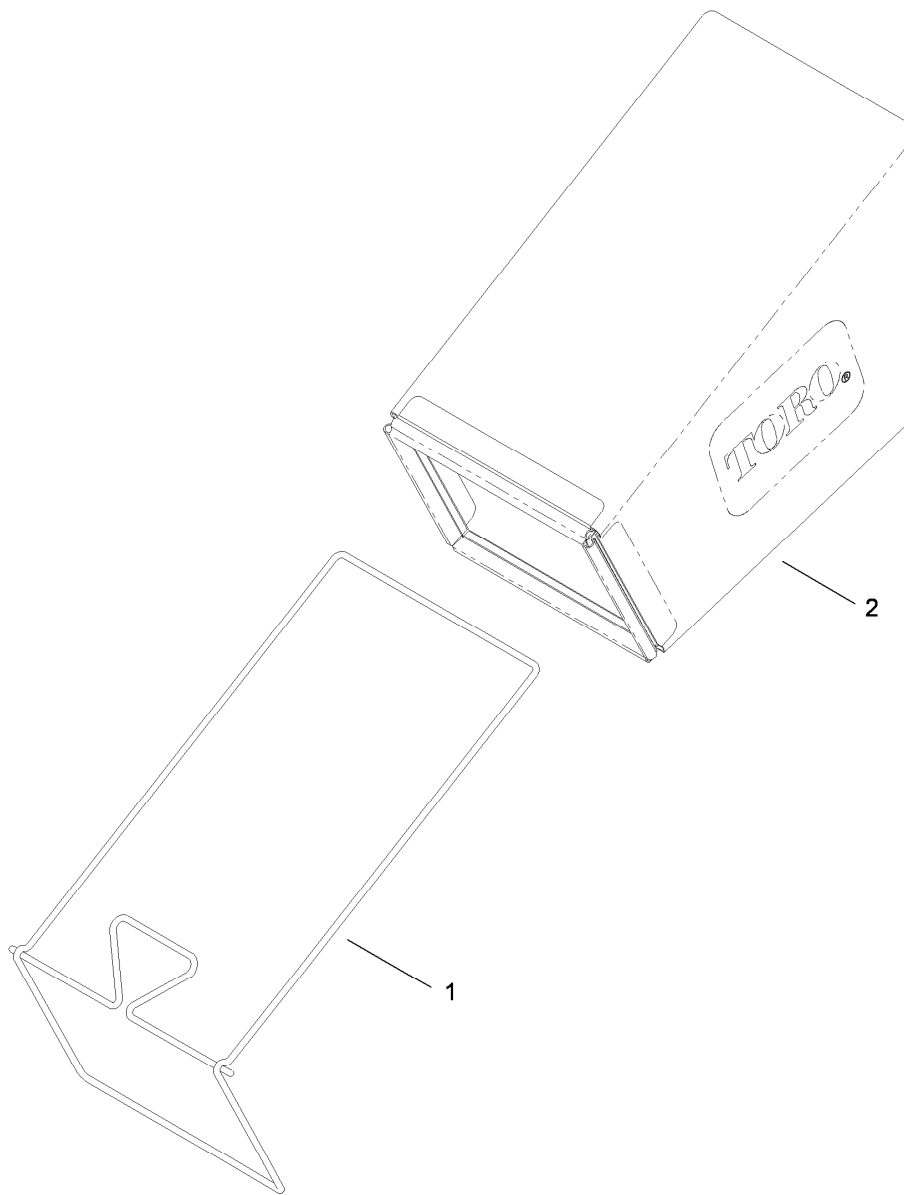
Handle Assembly

| <i>Ref.</i> | <i>Part Number</i> | <i>Qty.</i> | <i>Description</i> | <i>Ref.</i> | <i>Part Number</i> | <i>Qty.</i> | <i>Description</i> |
|-------------|--------------------|-------------|-----------------------|-------------|--------------------|-------------|----------------------|
| 1 | 119-3810-05 | 1 | Handle | 13 | 115-8435 | 1 | Cable-Traction |
| 2 | 99-1588 | 1 | Bar-Control, Traction | 14 | 117-5976 | 2 | Knob-Handle, Locking |
| 3 | 104-8678 | 1 | Handle-Control | 15 | 3230-6 | 2 | Screw-CARR |
| 4 | 86-9671 | 1 | Guide-Rope | 16 | 106-6805 | 1 | Guide-Cable |
| 5 | 99-1589 | 1 | Lever-Traction | 17 | 117-1019 | 1 | Decal |
| 7 | 3256-1 | 1 | Washer-Flat | 18 | 99-5239 | 1 | Anchor-Cable |
| 8 | 3296-73 | 2 | Nut-Lock, NI | 19 | 115-8437 | 1 | Cable-Brake |
| 11 | 104-8690 | 1 | Spring-Torsion | 20 | 105-6841 | 1 | Guide-RH |
| 12 | 104-8679-03 | 1 | Bail-Brake | 21 | 105-6842 | 1 | Guide-LH |



Electrical Assembly

| Ref. | Part Number | Qty. | Description | Ref. | Part Number | Qty. | Description |
|------|-------------|------|---------------------------|------|-------------|------|---------------------|
| 1 | 114-7936 | 1 | Tray-Battery | 9:2 | 218-461 | 1 | Nut-HH |
| 2 | 106-8397 | 1 | Battery-12 Volt | 10 | 321-50 | 1 | Screw-HH |
| 4 | 112-8763 | 1 | Decal-Terminal, Battery | 11 | 115-4675 | 1 | Harness-Wire |
| 5 | 119-3811 | 1 | Decal-Battery Tray | 11:1 | 99-6124 | 1 | Fuse-40 Amp |
| 6 | 108-9760 | 1 | Mount-Switch | 12 | 114-1588 | 1 | Charger-Battery |
| 7 | 700918 | 1 | Key | 13 | 104-7953 | 1 | Decal-Harness |
| 8 | 114-2619 | 1 | Decal-Pos, Electric Start | 14 | 32144-97 | 1 | Screw-PPH, Plastite |
| 9 | 46-5780 | 1 | Starter Switch ASM | 15 | 614249 | 1 | Strap-Tie |
| 9:1 | 3254-5 | 1 | Washer-Tooth, Internal | | | | |



Rear Bag Assembly

| <i>Ref.</i> | <i>Part Number</i> | <i>Qty.</i> | <i>Description</i> |
|-------------|--------------------|-------------|--------------------|
| 1 | 114-2679-03 | 1 | Frame-Bag |
| 2 | 115-4673 | 1 | Grass Bag ASM |

Attachments and Accessories

For 20334 22in Recycler Lawn Mower

| Product Name | Model/Part |
|------------------------------------|-------------------|
| Traction Assist Handle Kit..... | 108-8120 |
| Loose Parts Kit | 117-4134 |
| Replacement Bag | 59310 |
| Replacement Frame and Bag Kit..... | 59312 |
| 22 Inch Blade Kit..... | 59534 |



Count on it.