



Count on it.

Parts Catalog

**TITAN ZX5450 Zero-Turn-Radius
Riding Mower**

Model No. 74832—Serial No. 310000001 and Up

Ordering Replacement Parts

To order replacement parts, please supply the part number, the quantity, and the description of each part desired.

Understanding Reference Numbers

Each identified part in an illustration has a reference number. The reference number for a part also appears in the parts list, along with other information about the part.

This catalog uses two special reference number formats, one to indicate parts in a service assembly and another to indicate the quantity of a given part in an illustration.

Service Assembly Reference Numbers

Parts in service assemblies have reference numbers in the form a:b. The a represents the reference number of the entire service assembly and the b represents a sequential number unique to each part within the service assembly.

For example, a wheel assembly might be identified by reference number 6, the tire by 6:1, the valve by 6:2, and the wheel by 6:3. When you order the assembly identified by reference number 6, you receive all parts identified by reference numbers 6:1, 6:2, and 6:3. However, you may also order any part individually. Reference numbers of this type appear in illustration and in parts lists.

Reference Numbers Indicating Quantity

In an illustration, if a reference number indicates more than one part, the reference number has the form nX y. The n represents the quantity of the part, the X is the multiplication symbol, and the y represents the reference number.

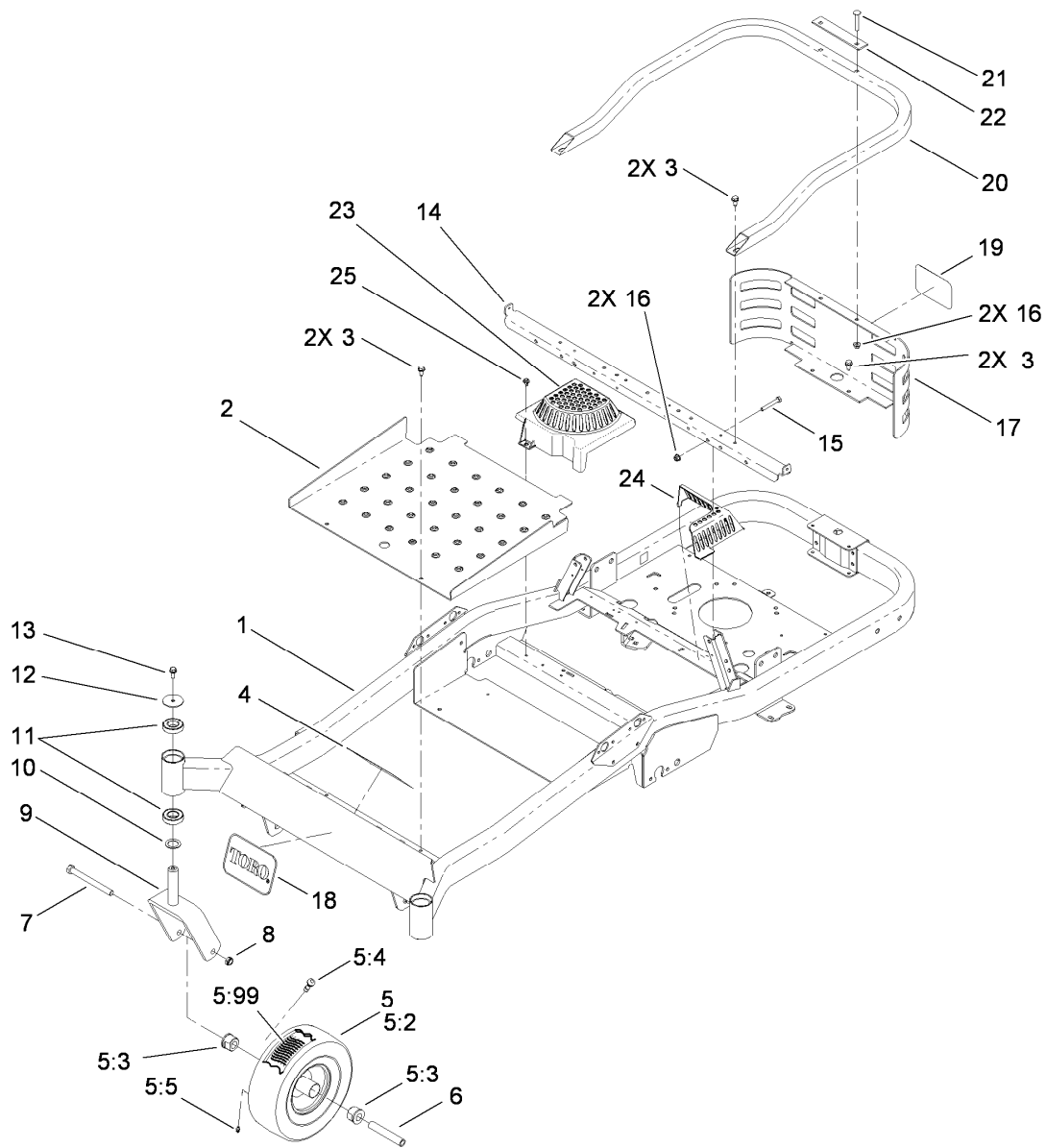
For example, in an illustration, the reference number 2X 37 means that two of the parts identified by reference number 37 are indicated.

List of Abbreviations

AR: as required	HSBH: hex socket button head	SFH: slotted fillister head
ASM: assembly	HSFH: hex socket flat head	SHH: slotted hex head
BBC: blade brake clutch	HSH: hex socket head	SHWH: slotted hex washer head
CARR: carriage	HWH: hex washer head	SPH: slotted pan head
CCW: counter clock wise	HWTF: hex washer head thread forming	SQH: square head
CW: clockwise	HYD: hydraulic	SRH: slotted round head
DEG: degrees	LH: left hand	STD: standard
ECM: electronic control module	NI: nylon insert	TAP: self tapping
EXT: external	NPTF: national pipe thread fine	TTH: torx truss head
FH: flat head	PFH: phillips flat head	
GA: gauge	PPH: phillips pan head	
HD: heavy-duty	PPHTF: phillips pan head thread forming	
HF: hex flange	PRH: phillips round head	
HH: hex head	PTH: phillips truss head	
HHF: hex head flange	PTO: power-take-off	
HHFTF: hex head flange thread forming	RH: right hand	
HJ: hex jam	ROPS: roll-over protection system	
HLH: hex lag head	RRB: rear roller brush	
HOC: height-of-cut		

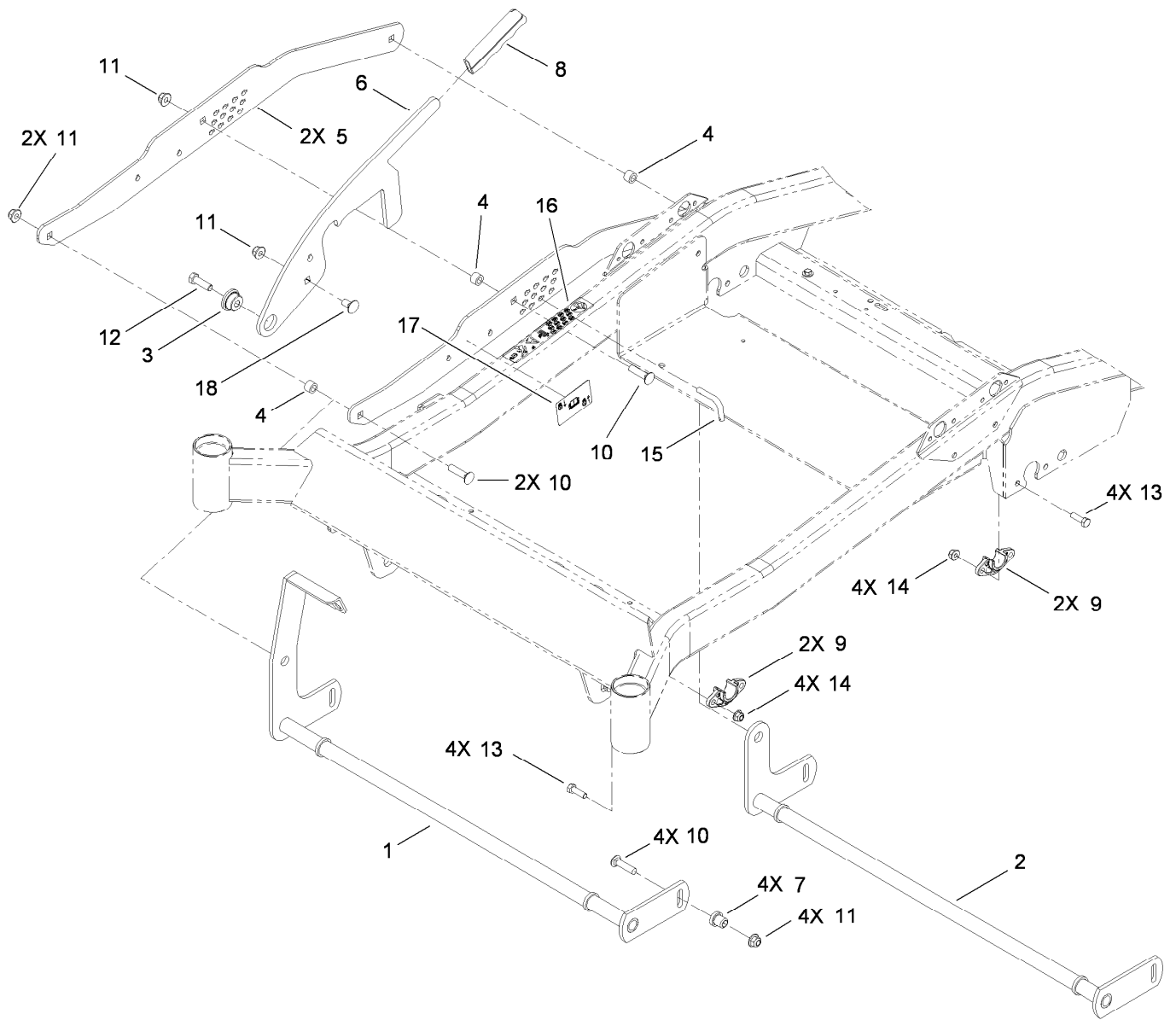
Contents

Main Frame and Front Caster Wheel Assembly	4
Deck Lift Assembly	5
Motion Control Assembly	6
Parking Brake Assembly	7
Handle Control Assembly	8
Seat Assembly	9
Engine Assembly	10
Traction Drive Assembly	11
RH Hydro Assembly No. 115-2550	12
LH Hydro Assembly No. 115-2551	14
Fuel Delivery System	16
Body and Styling Assembly	17
Electrical Assembly	18
54 Inch Deck Assembly	19
Deck and Decal Assembly No. 117-5374	20
54 Inch Deck Spindle and Blade Assembly	21
Attachments and Accessories	22



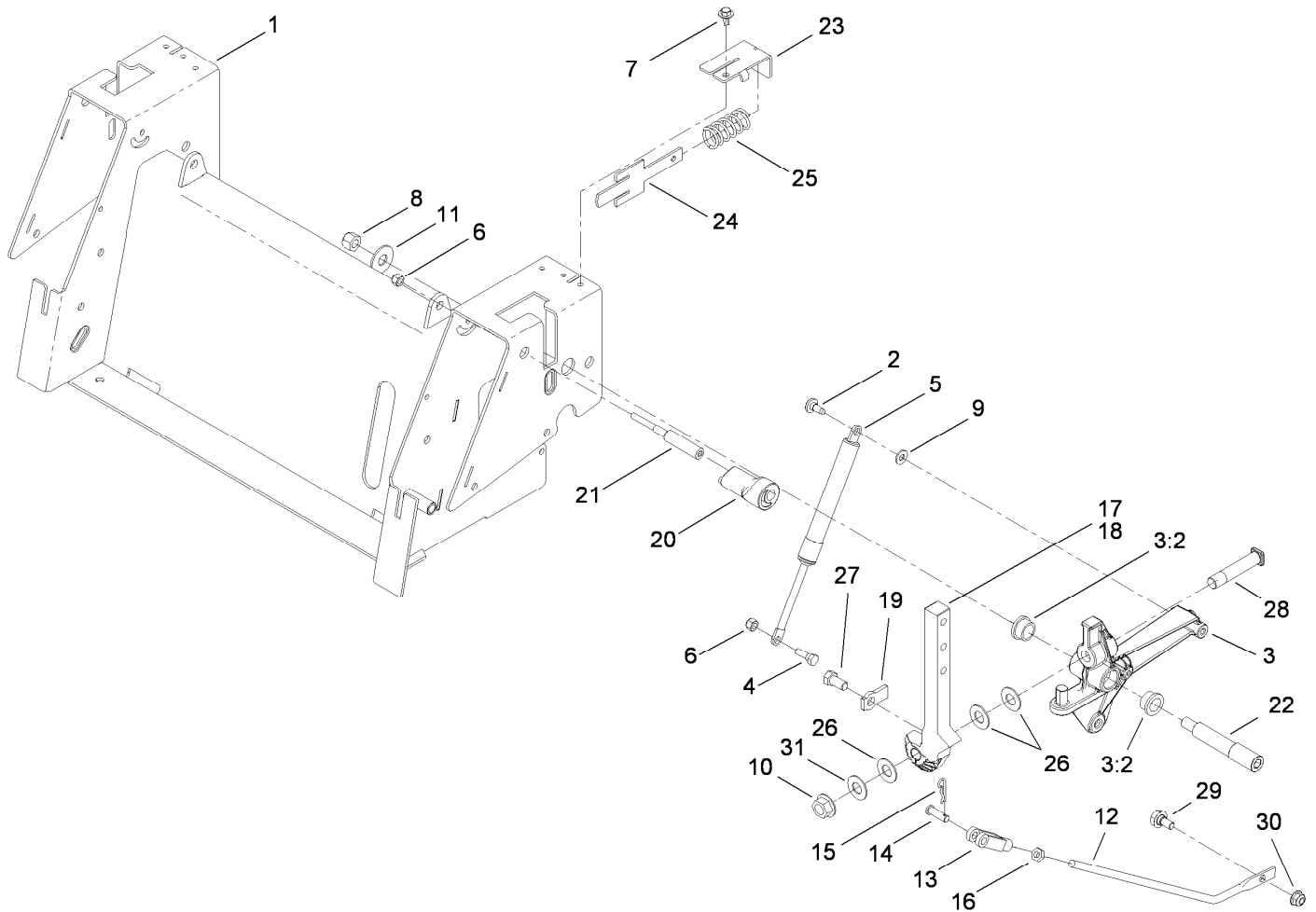
Main Frame and Front Caster Wheel Assembly

Ref.	Part Number	Qty.	Description	Ref.	Part Number	Qty.	Description
1	117-7356-01	1	Frame ASM	11	109-3678	4	Bearing-Ball
2	115-2531-03	1	Floorpan	12	109-3724	2	Washer
3	32144-70	6	Screw-HWHTF	13	3234-47	2	Screw-HHF
4	109-8965	1	Decal-Safety	14	115-2566-03	1	Support-Seat
5	115-2554	2	Wheel And Tire ASM	15	322-11	2	Screw-HH
5:2	115-2557	1	Tire-Smooth	16	104-8300	4	Nut-Flange, NI
5:3	114-1640	2	Bushing-Flange	17	115-2632-03	1	Guard-Rear, Shield
5:4	232-27	1	Stem-Valve	18	62-5550	1	Decal
5:5	302-5	1	Fitting-Grease	19	105-8278	1	Decal
5:99	117-1234	1	Tube-Inner	20	115-2565-01	1	Guard-Rear, Tube
6	104-3667	2	Spanner-Wheel	21	3230-6	2	Screw-CARR
7	325-22	2	Screw-HH	22	115-5061-01	1	Plate-Spacer
8	3296-45	2	Nut-Lock, NI	23	117-1241	1	Cover-Fan, RH
9	110-6634-01	2	Caster Fork ASM	24	117-1242	1	Cover-Fan, LH
10	10-8110	2	Washer-Thrust	25	46-8560	2	Screw-HHF



Deck Lift Assembly

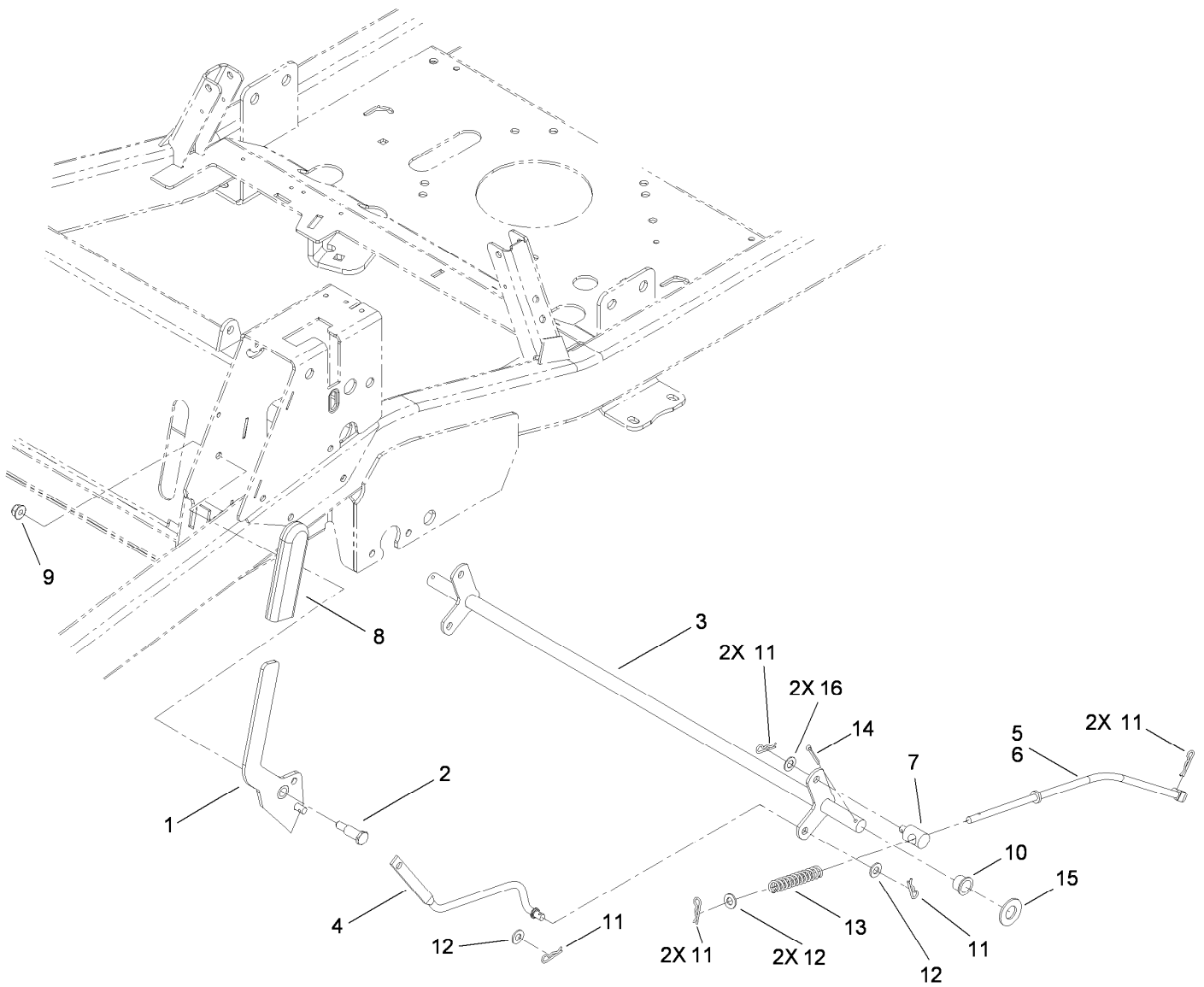
Ref.	Part Number	Qty.	Description	Ref.	Part Number	Qty.	Description
1	115-2495-03	1	Pivot-Front	10	3231-4	7	Screw-CARR
2	115-2498-03	1	Pivot-Rear	11	104-8301	8	Nut-Flange, NI
3	117-1281	1	Bushing-Mount, HOC	12	323-7	1	Screw-HH
4	115-4986	3	Spacer	13	322-5	8	Screw-HH
5	115-2503-03	2	Plate-Lift, Foot	14	104-8300	8	Nut-Flange, NI
6	115-2504	1	Plate-Stop, HOC	15	117-1280	1	Pin-Keyed
7	65-5950	4	Bushing-Pulley	16	115-9644	1	Decal-HOC
8	115-5033	1	Grip	17	117-5344	1	Decal-Lock, Deck
9	115-5065	4	Bushing-Flange	18	3231-1	1	Screw-CARR



Motion Control Assembly

Ref.	Part Number	Qty.	Description	Ref.	Part Number	Qty.	Description
1	115-2546-03	1	Box-Control	16	3220-2	2	Nut-Jam
2	112-4004	2	Screw-Shoulder	17	110-6783-05	1	Arm-Actuator, LH
3	110-6828	2	Activator Arm ASM	18	110-6782-05	1	Arm-Actuator, RH ●
3:2	105-3455	2	Bushing	19	115-5023	2	Tab-Stop
4	106-2214	2	Bolt-Shoulder	20	110-6873	2	Eccentric
5	103-2913	2	Damper-Control, Motion	21	110-6874	2	Screw-Eccentric
6	3296-42	4	Nut-Lock, NI	22	110-6875	2	Bolt-Shoulder
7	46-8560	2	Screw-HHF	23	110-6751	2	Bracket-Return
8	3296-48	2	Nut-Lock, NI	24	110-6750	2	Plate-Return
9	3256-22	2	Washer-Flat	25	110-6752	2	Spring-Compression
10	32128-23	2	Nut-HF	26	110-6894	6	Washer-Pivot
11	3256-5	2	Washer-Flat	27	323-4	2	Screw-HH
12	115-2529	2	Link-Bent, Hydro	28	110-6784	2	Bolt-Shoulder
13	1-303105	2	Yoke-Adjustable	29	37-8771	2	Bolt-Shoulder
14	1-808280	2	Pin-Clevis	30	104-8300	2	Nut-Flange, NI
15	1-806003	2	Pin-Cotter, Hair	31	112-9771	2	Washer-Teflon

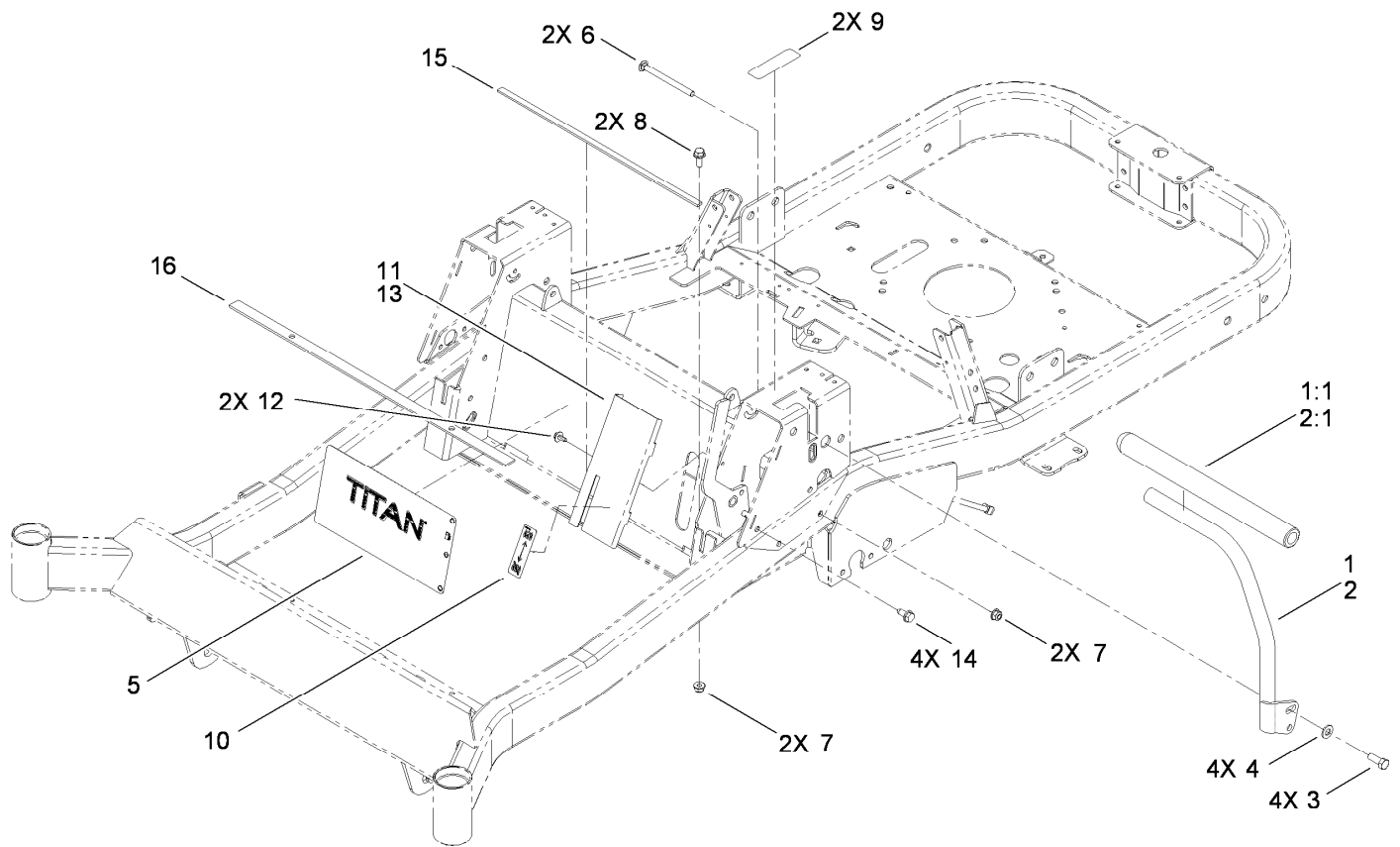
● Not illustrated



Parking Brake Assembly

Ref.	Part Number	Qty.	Description	Ref.	Part Number	Qty.	Description
1	117-7421	1	Brake Handle ASM	9	104-8300	1	Nut-Flange, NI
2	63-2650	1	Screw-Shoulder	10	256-292	2	Bushing-Flange, NI
3	115-5071-03	1	Brake-Bellcrank	11	1-806003	8	Pin-Cotter, Hair
4	115-5074	1	Link-Brake	12	3256-23	4	Washer-Flat
5	117-7322	1	Rod-Brake, LH	13	1-603807	2	Spring-Return, Neutral
6	117-7323	1	Rod-Brake, RH ●	14	3272-11	2	Pin-Cotter
7	115-9681	2	Fitting-Rod	15	3256-27	2	Washer-Flat
8	1-633268	1	Grip-Lever, Brake	16	40-1940	2	Washer

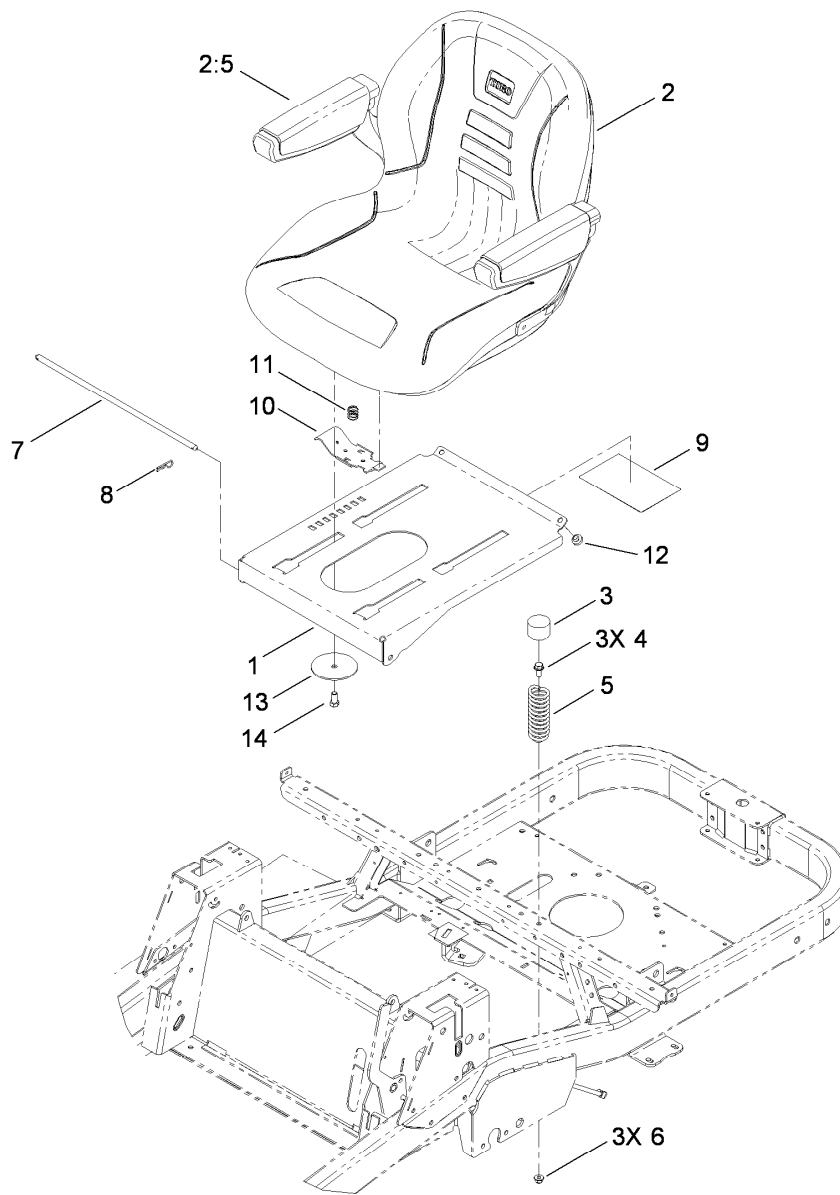
● Not illustrated



Handle Control Assembly

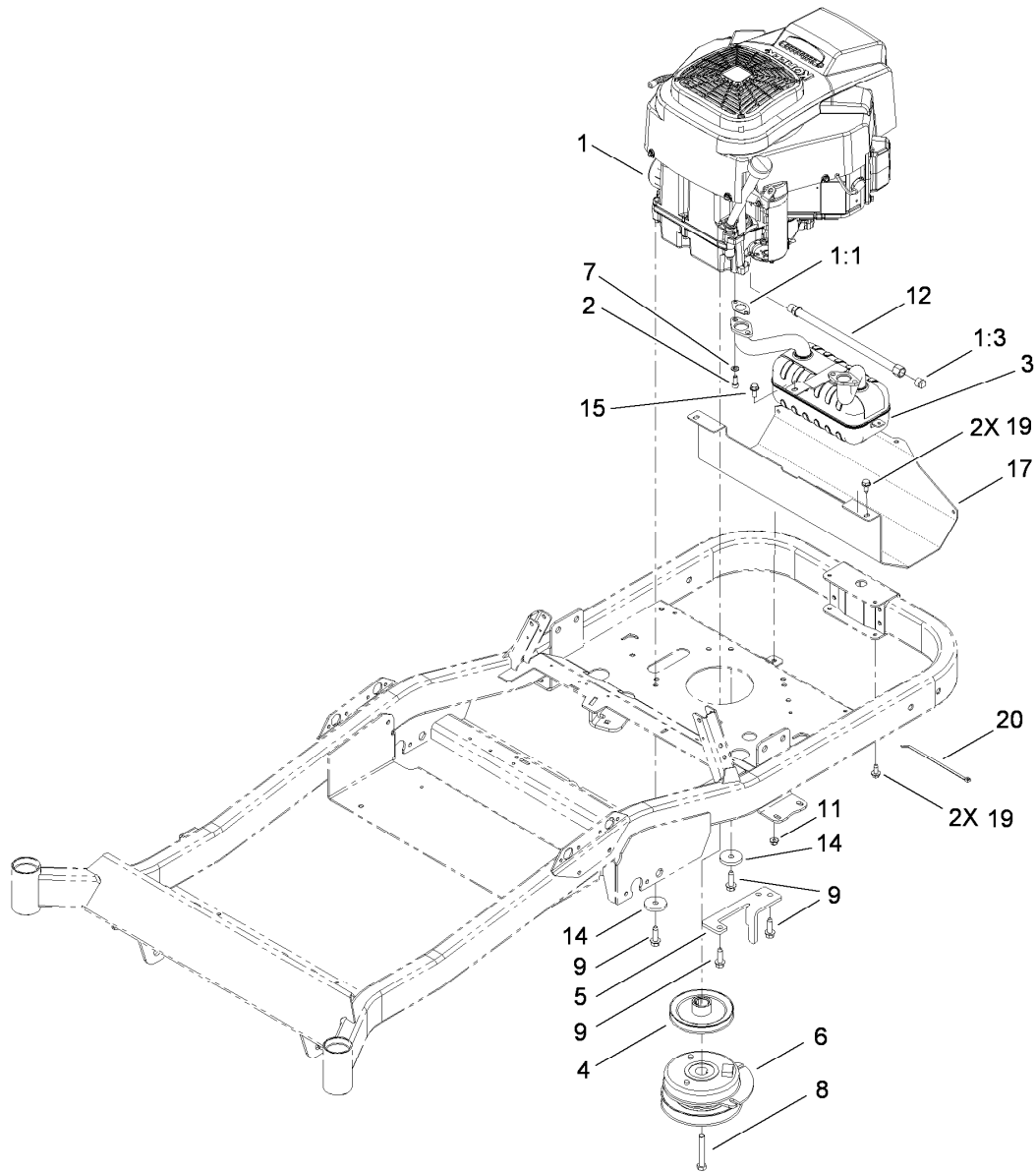
Ref.	Part Number	Qty.	Description	Ref.	Part Number	Qty.	Description
1	117-5338	1	LH Control Handle ASM	8	3234-47	2	Screw-HHF
1:1	108-6187	1	Grip	9	99-8936	2	Decal-Control, Motion
2	117-5339	1	RH Control Handle ASM ●	10	115-9625	1	Decal
2:1	108-6187	1	Grip ●	11	115-2561-03	1	Cover-Control, LH
3	323-6	4	Screw-HH	12	46-8560	2	Screw-HHF
4	3256-24	4	Washer-Flat	13	117-1255-03	1	Cover-Control, RH ●
5	117-7491	1	Decal-Titan Zx5450	14	32144-70	4	Screw-HWHTF
6	106-9758	2	Screw-CARR	15	117-7237	1	Strip-Anti Vibration
7	104-8300	4	Nut-Flange, NI	16	117-7238	1	Strip-Anti Vibration

● Not illustrated



Seat Assembly

Ref.	Part Number	Qty.	Description
1	117-5320-03	1	Pan-Seat
2	115-5053	1	18 Inch Seat ASM (With Armrest)
2:5	119-3307	1	Kit-Armrest
3	701178	3	Cap-Protector
4	3234-47	3	Screw-HHF
5	92-7054	3	Spring-Compression
6	104-8300	3	Nut-Flange, NI
7	115-4966	1	Rod-Stop
8	3290-250	2	Pin-Hair
9	115-9630	1	Decal-Maintenance
10	115-9623	1	Latch-Seat
11	115-9624	1	Spring-Compression
12	1-513658	2	Bumper
13	117-5307	1	Washer-Seat
14	323-4	1	Screw-HH



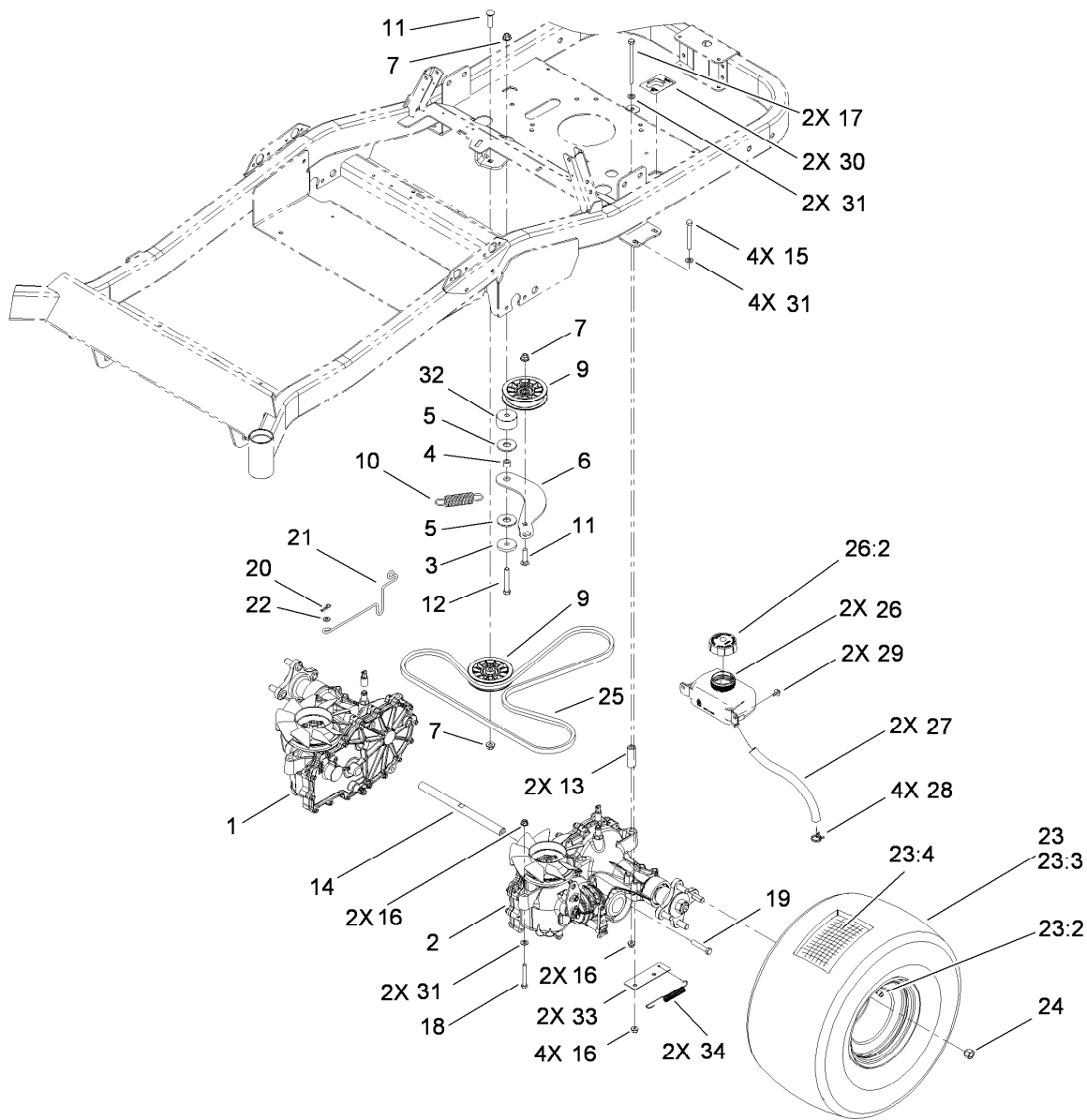
Engine Assembly

Ref.	Part Number	Qty.	Description
1		1	Engine-Kohler, Ps-Sv830-0016 ●■
1:1	110-6697	2	Gasket-Exhaust
1:3	281-2	1	Plug-Pipe, SQH
2	3274-10	4	Screw-HSH
3	117-7463	1	Muffler-Kohler Twin
4	115-2568	1	Pulley-Engine
5	117-1269-03	1	Bracket-Stop, PTO
6	117-1252	1	Clutch-PTO
7	3253-4	4	Washer-Lock

Ref.	Part Number	Qty.	Description
8	3212-11	1	Screw-HH
9	32144-109	4	Screw
11	104-8300	1	Nut-Flange, NI
12	117-1261	1	Oil Drain Hose ASM
14	110-9981	2	Washer-Plain
15	3234-47	1	Screw-HHF
17	117-5330-03	1	Shield-Heat
19	32144-70	4	Screw-HWHTF
20	614249	1	Strap-Tie

● Not serviced separately

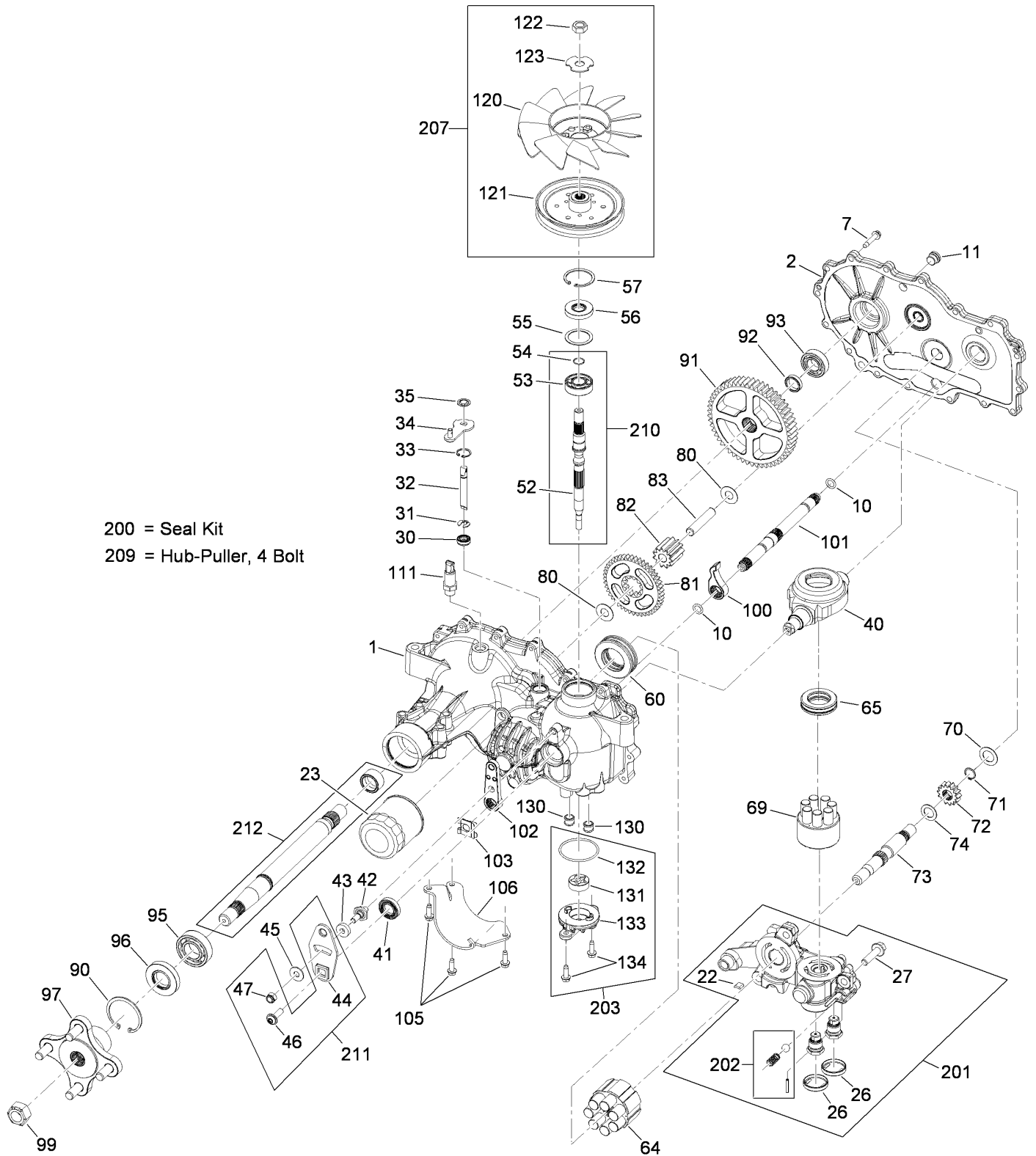
■ Obtain parts from www.kohlerplus.com



Traction Drive Assembly

Ref.	Part Number	Qty.	Description	Ref.	Part Number	Qty.	Description
1	115-2550	1	Hydro-RH	21	115-4990	2	Rod-Bypass
2	115-2551	1	Hydro-LH	22	3256-22	2	Washer-Flat
3	110-9981	1	Washer-Plain	23	115-2593	2	Tire And Rim ASM
4	115-4986	1	Spacer	23:2	232-27	1	Stem-Valve
5	114-0463	2	Washer-Friction, Composite	23:3	99-2994	1	Tire
6	117-5350	1	Arm-Idler	23:4	93-3893	1	Tube-Inner
7	104-8301	3	Nut-Flange, NI	24	242-50	8	Nut-Lug
9	109-3397	2	Pulley-Idler, Flat	25	115-9613	1	V-Belt
10	1-603402	1	Spring-Extension	26	115-9618	1	HYD Reservoir ASM
11	3231-4	2	Screw-CARR	26:2	109-3320	1	Cap-Reservoir, Hydraulic
12	323-12	1	Screw-HH	27	115-4969	2	Hose-Overflow
13	109-3652	2	Spacer-Hydro	28	117-1193	4	Clamp-Hose
14	115-2559	1	Shaft-Cross, Hydro	29	46-8560	2	Screw-HHF
15	322-13	4	Screw-HH	30	117-1158	2	Decal-Bypass
16	104-8300	8	Nut-Flange, NI	31	3256-23	8	Washer-Flat
17	322-38	2	Screw-HH	32	117-5351	1	Spacer
18	322-11	2	Screw-HH	33	117-7248-03	2	Plate-Spring
19	323-10	2	Screw-HH	34	110769	2	Spring-Extension
20	1-806003	2	Pin-Cotter, Hair				

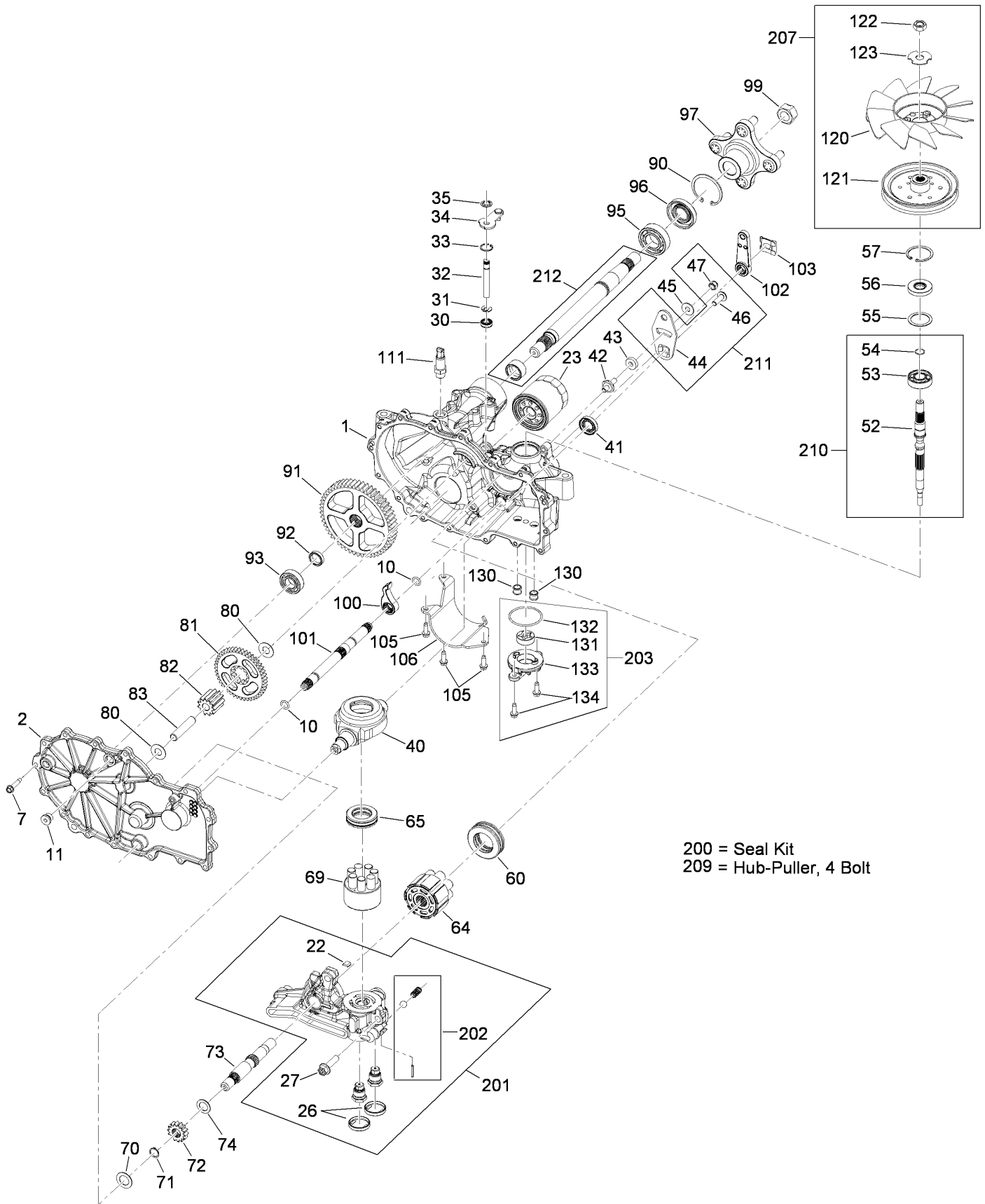
RH Hydro Assembly No. 115-2550



RH Hydro Assembly No. 115-2550 (continued)

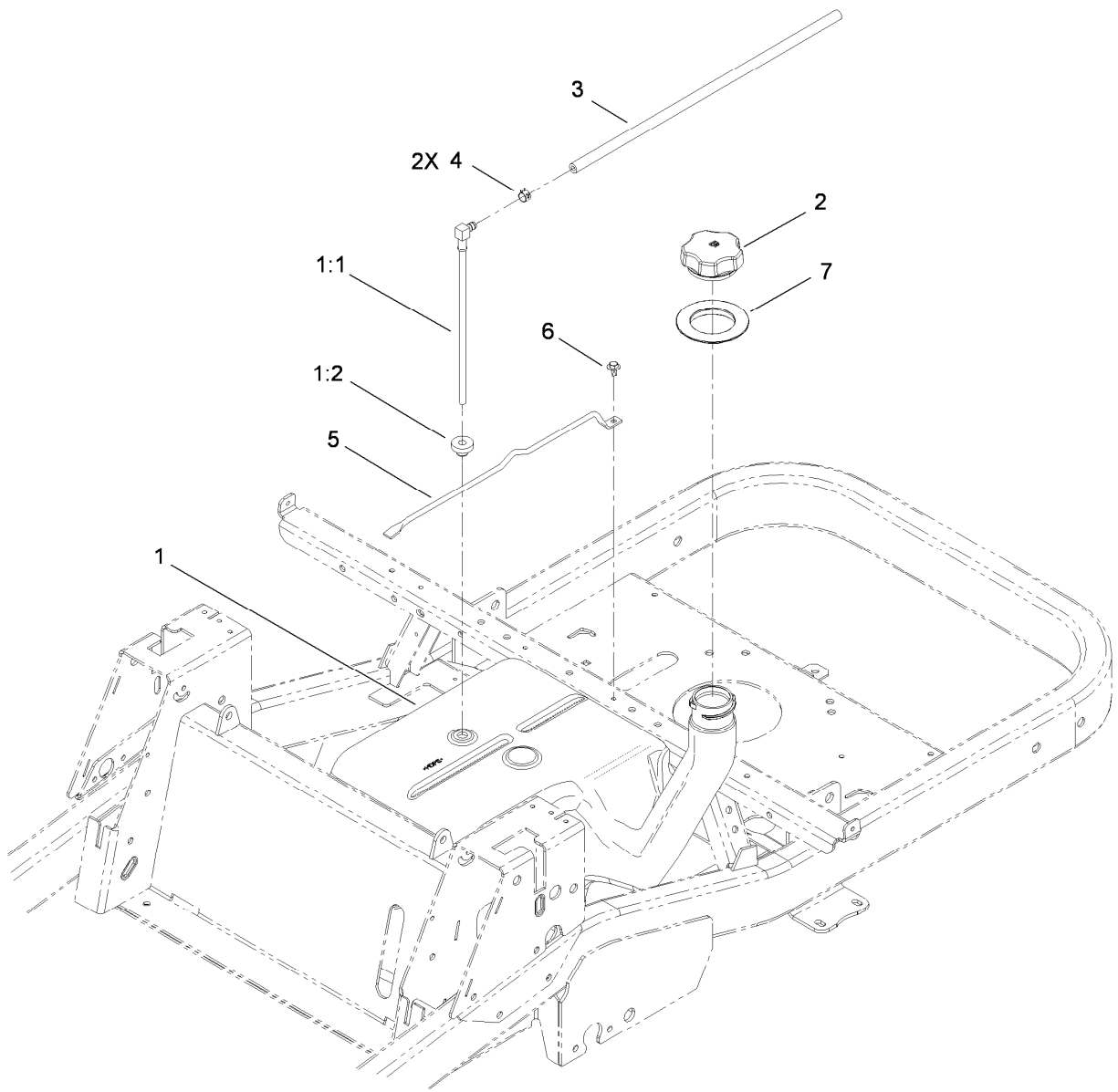
<i>Ref.</i>	<i>Part Number</i>	<i>Qty.</i>	<i>Description</i>	<i>Ref.</i>	<i>Part Number</i>	<i>Qty.</i>	<i>Description</i>
1	117-5357	1	RH Main Housing Kit	80	94-1933	1	Washer
2	117-5358	1	RH Housing Side Kit	81	114-1692	1	Gear-45T
7	117-5359	16	Screw-Hfhcs	82	114-1693	1	Gear-11T
10	114-1678	2	O-Ring	83	104-5329	1	Pin-Jackshaft
11	104-2189	1	Plug-Thread, Straight	90	104-2169	1	Ring-Retaining
22	114-1680	1	Plate-Bypass	91	114-1694	1	Gear-54T
23	109-3321	1	Element-Oil Filter, HYD	92	114-1695	1	Spacer
26	114-1683	2	Seal-Plug	93	114-1696	1	Bearing-Ball
27	114-1684	3	Screw-Hfhc	95	104-2143	1	Bearing-Ball
30	106-8676	1	Seal-Lip	96	104-2144	1	Seal
31	106-8677	1	Ring-Retaining, EXT	97	109-5939	1	Hub Kit
32	114-1685	1	Rod-Bypass	99	105-1895	1	Nut
33	106-8679	1	Ring-Retaining, Int	100	114-1697	1	Pawl-Brake
34	107-2490	1	Arm-Bypass	101	117-5360	1	Shaft-Brake
35	106-8681	1	Ring-Retaining, EXT	102	114-1699	1	Handle-Brake
40	104-5304	1	Swashplate-Trunnion	103	114-8450	1	Clip-Retaining
41	104-5313	1	Seal-Lip	105	104-2120	3	Screw
42	104-2116	1	Stud	106	114-8473	1	Guard-Filter, LH
43	112-9853	1	Puck-Friction	111	109-3278	1	Adapter-Straight
44	106-8747	1	Arm-Control	120	114-8453	1	Fan-7.0
45	114-8491	1	Washer	121	114-8454	1	Pulley-5.0 Inch
46	107-2488	1	Screw	122	104-2168	1	Nut-Hex
47	105-1872	1	Nut	123	107-9122	1	Washer-Slotted
52	114-1687	1	Shaft-Input	130	114-8455	2	Tube-Connecting
53	104-5311	1	Bearing-Ball	131	104-2122	1	Gerotor ASM
54	104-5307	1	Ring-Retaining	132	109-3540	1	O-Ring-Seal
55	104-5308	1	Spacer	133	114-8457	1	Cover-Charge Pump
56	104-5310	1	Seal-Lip	134	104-2120	2	Screw
57	104-5309	1	Ring-Retaining	200	109-3537	1	Complete Seal Kit
60	112-4154	1	Bearing-Thrust	201	114-8463	1	RH Center Section Kit
64	114-1689	1	Motor Cylinder Block Kit	202	114-8464	1	Charge Relief Kit
65	94-6922	1	Bearing-Thrust	203	114-8465	1	Charge Kit
69	110-8561	1	Pump Block ASM	207	109-5938	1	Fan And Pulley Kit
70	104-5339	1	Washer-Flat	209	114-8467	1	Hub-Puller, 4 Bolt
71	104-5340	1	Ring-Retaining	210	117-5361	1	Shaft Input Kit
72	114-1690	1	Gear-14T	211	117-5362	1	Arm Control Kit
73	114-1691	1	Shaft-Motor	212	114-8470	1	Axle Shaft Kit
74	104-5360	1	Washer-Shaft, Motor				

LH Hydro Assembly No. 115-2551



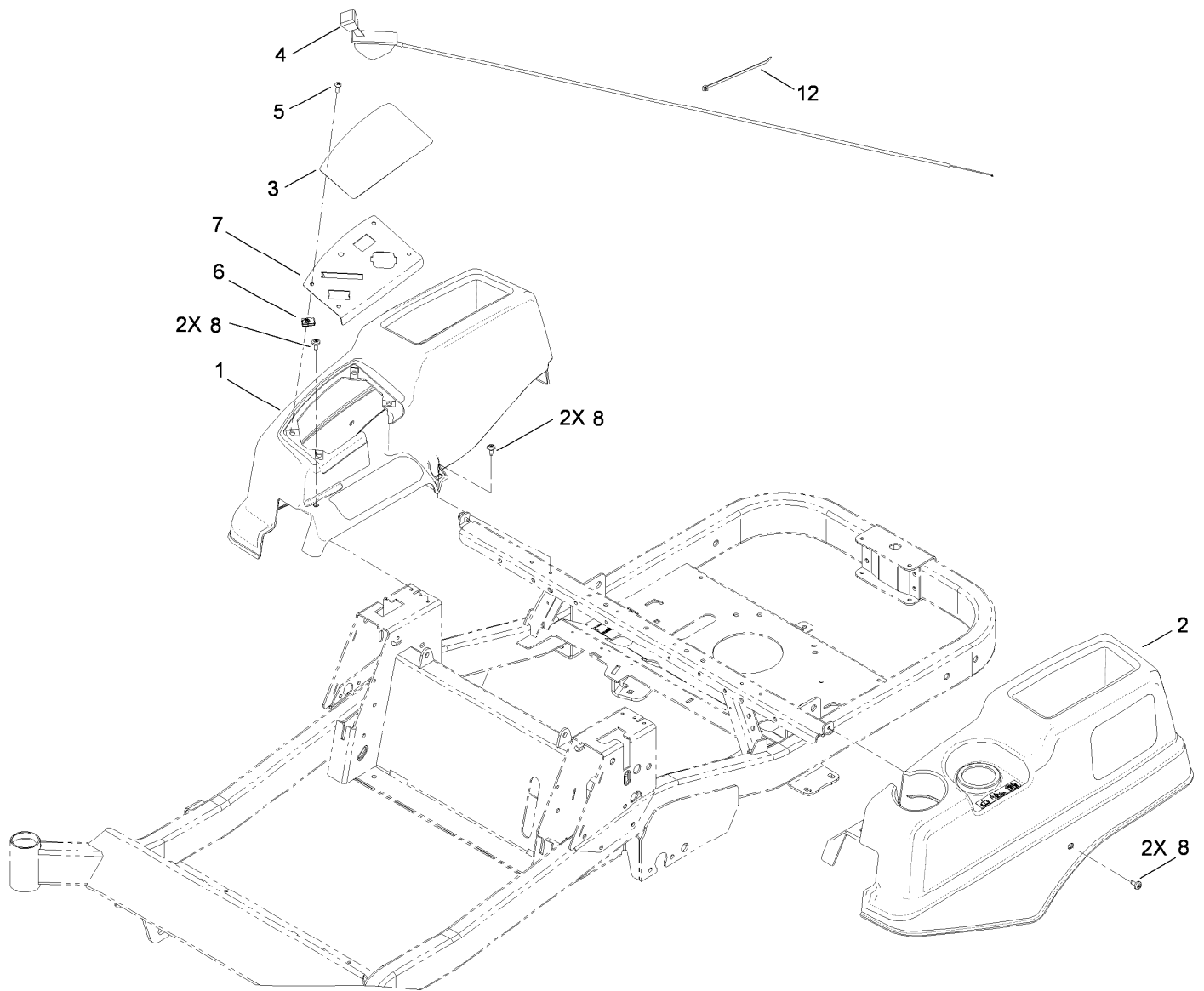
LH Hydro Assembly No. 115-2551 (continued)

<i>Ref.</i>	<i>Part Number</i>	<i>Qty.</i>	<i>Description</i>	<i>Ref.</i>	<i>Part Number</i>	<i>Qty.</i>	<i>Description</i>
1	114-8471	1	LH Main Housing Kit	80	94-1933	2	Washer
2	114-8472	1	LH Side Cover Kit	81	114-1692	1	Gear-45T
7	117-5359	16	Screw-Hfhcs	82	114-1693	1	Gear-11T
10	114-1678	2	O-Ring	83	104-5329	1	Pin-Jackshaft
11	104-2189	1	Plug-Thread, Straight	90	104-2169	1	Ring-Retaining
22	114-1680	1	Plate-Bypass	91	114-1694	1	Gear-54T
23	109-3321	1	Element-Oil Filter, HYD	92	114-1695	1	Spacer
26	114-1683	2	Seal-Plug	93	114-1696	1	Bearing-Ball
27	114-1684	3	Screw-Hfhc	95	104-2143	1	Bearing-Ball
30	106-8676	1	Seal-Lip	96	104-2144	1	Seal
31	106-8677	1	Ring-Retaining, EXT	97	109-5939	1	Hub Kit
32	114-1685	1	Rod-Bypass	99	109-3536	1	Nut-Hub
33	106-8679	1	Ring-Retaining, Int	100	114-1697	1	Pawl-Brake
34	107-2490	1	Arm-Bypass	101	117-5360	1	Shaft-Brake
35	106-8681	1	Ring-Retaining, EXT	102	114-1699	1	Handle-Brake
40	104-5304	1	Swashplate-Trunnion	103	114-8450	1	Clip-Retaining
41	104-5313	1	Seal-Lip	105	104-2120	3	Screw
42	104-2116	1	Stud	106	114-8473	1	Guard-Filter, LH
43	112-9853	1	Puck-Friction	111	109-3278	1	Adapter-Straight
44	106-8747	1	Arm-Control	120	114-8453	1	Fan-7.0
45	114-8491	1	Washer	121	114-8454	1	Pulley-5.0 Inch
46	107-2488	1	Screw	122	104-2168	1	Nut-Hex
47	105-1872	1	Nut	123	107-9122	1	Washer-Slotted
52	114-1687	1	Shaft-Input	130	114-8455	2	Tube-Connecting
53	104-5311	1	Bearing-Ball	131	104-2122	1	Gerotor ASM
54	104-5307	1	Ring-Retaining	132	109-3540	1	O-Ring-Seal
55	104-5308	1	Spacer	133	114-8457	1	Cover-Charge Pump
56	104-5310	1	Seal-Lip	134	104-2120	2	Screw
57	104-5309	1	Ring-Retaining	200	109-3537	1	Complete Seal Kit
60	114-1688	1	Bearing-Thrust	201	114-8476	1	LH Center Section Kit
64	114-1689	1	Motor Cylinder Block Kit	202	114-8464	1	Charge Relief Kit
65	94-6922	1	Bearing-Thrust	203	114-8465	1	Charge Kit
69	110-8561	1	Pump Block ASM	207	109-5938	1	Fan And Pulley Kit
70	104-5339	1	Washer-Flat	209	114-8467	1	Hub-Puller, 4 Bolt
71	104-5340	1	Ring-Retaining	210	117-5361	1	Shaft Input Kit
72	114-1690	1	Gear-14T	211	117-5362	1	Arm Control Kit
73	114-1691	1	Shaft-Motor	212	114-8470	1	Axle Shaft Kit
74	104-5360	1	Washer-Shaft, Motor				



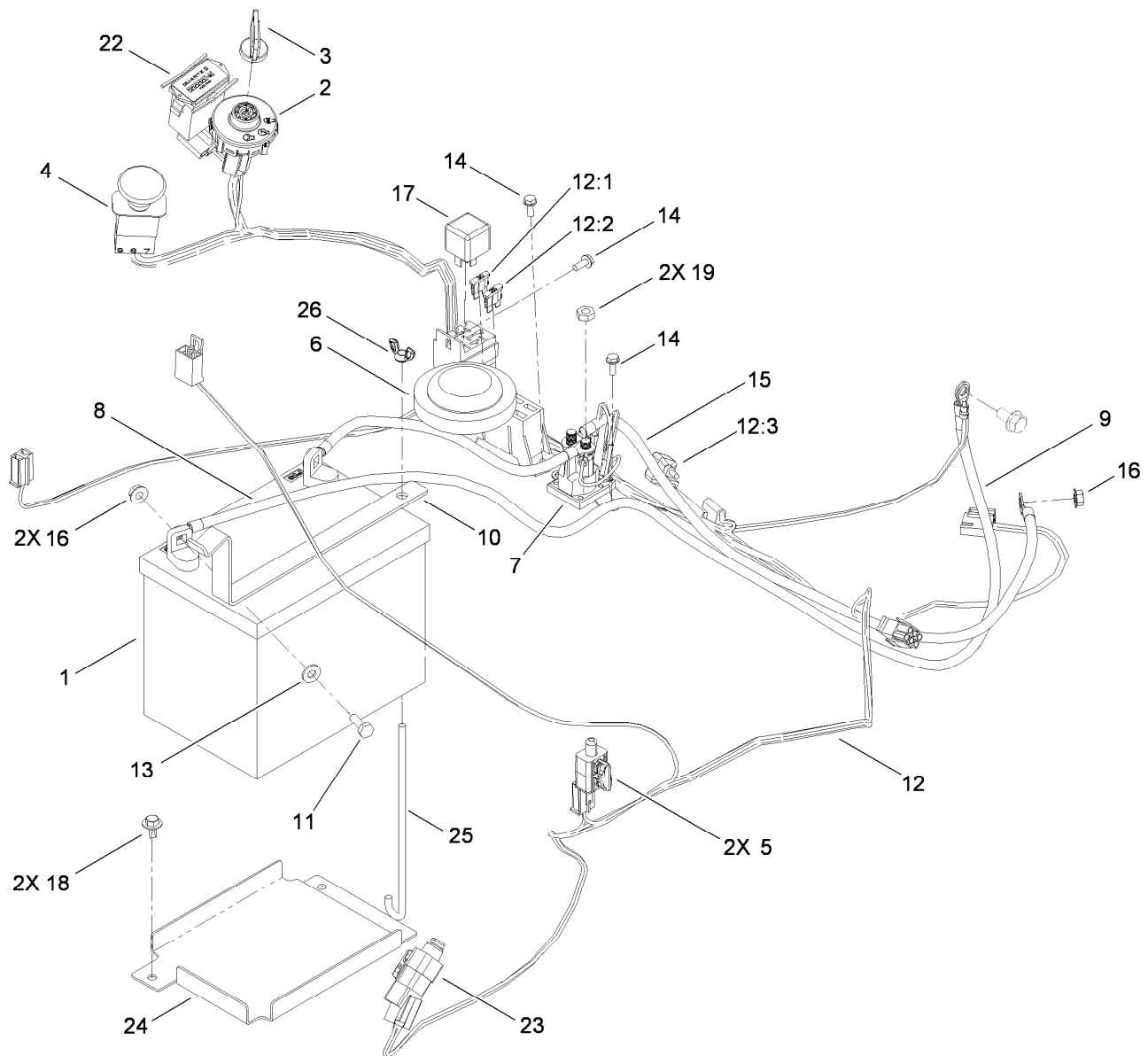
Fuel Delivery System

<i>Ref.</i>	<i>Part Number</i>	<i>Qty.</i>	<i>Description</i>
1	115-9620	1	5 Gallon Fuel Tank ASM
1:1	115-2564	1	Tube-Drop
1:2	46-6560	1	Bushing
2	115-9601	1	Cap-Fuel, Vented
3	109-0299	1	Hose-Fuel
4	2412-98	2	Clamp
5	115-2620	1	Rod-Tank, Gas
6	46-8560	1	Screw-HHF
7	117-1298	1	Seal-Tank



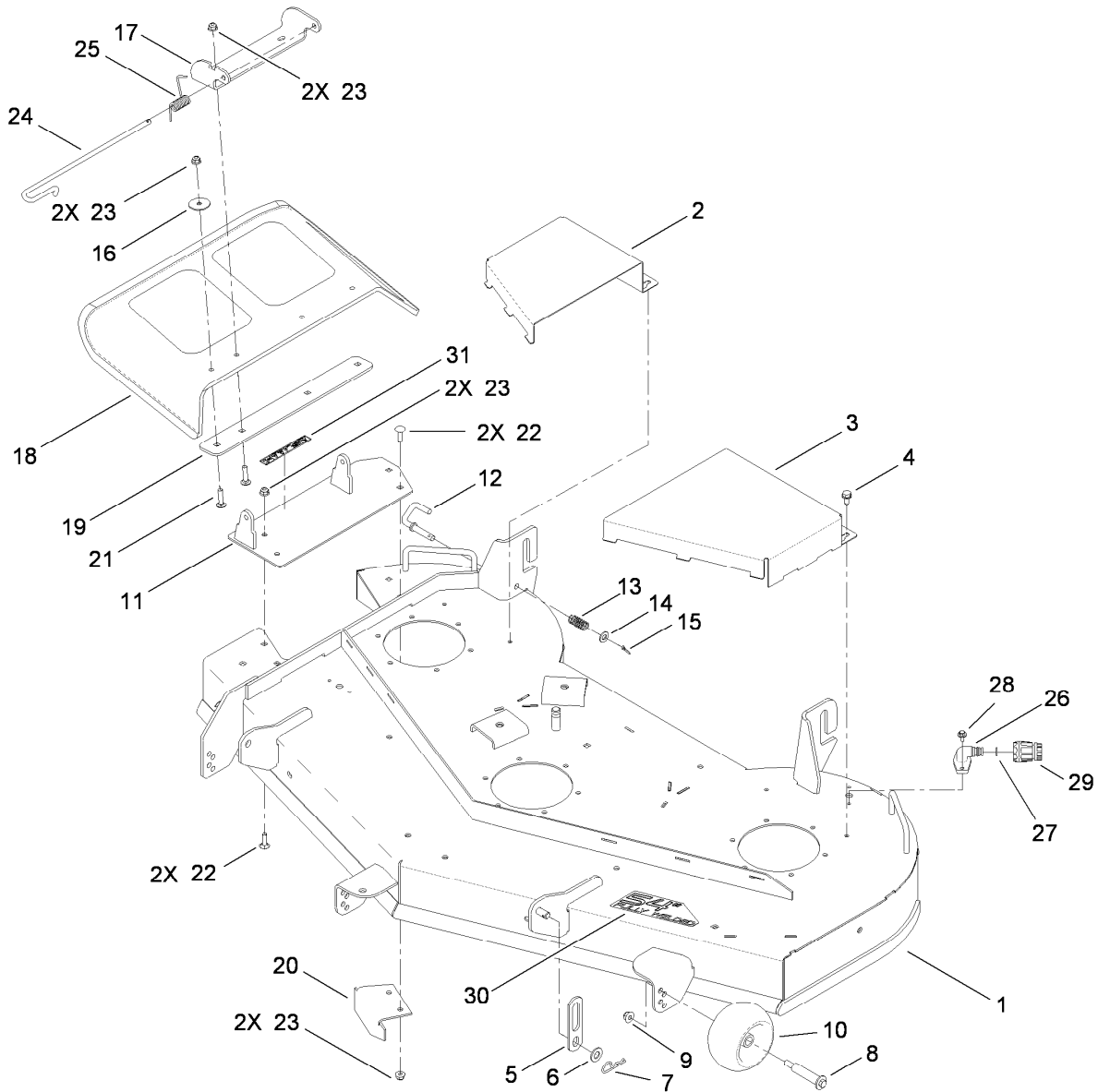
Body and Styling Assembly

<i>Ref.</i>	<i>Part Number</i>	<i>Qty.</i>	<i>Description</i>
1	115-2581	1	Pod-RH
2	115-2582	1	Pod-LH
3	115-9631	1	Decal-Panel, Control
4	117-1196	1	Cable-Throttle
5	3258-166	4	Screw-PRH
6	107069	4	Clip
7	115-2591-03	1	Panel-Control
8	112-4004	6	Screw-Shoulder
12	614249	1	Strap-Tie



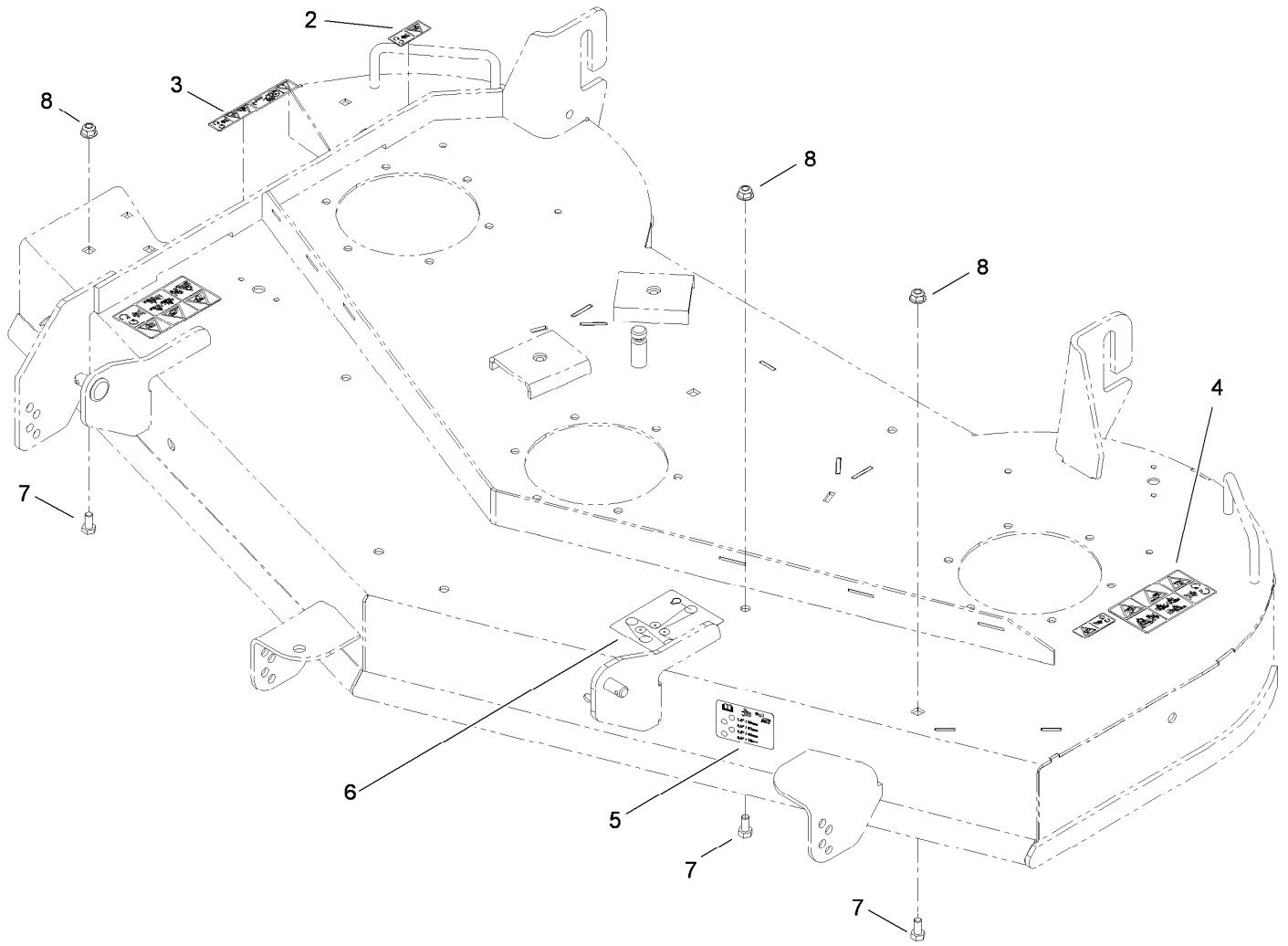
Electrical Assembly

<i>Ref.</i>	<i>Part Number</i>	<i>Qty.</i>	<i>Description</i>	<i>Ref.</i>	<i>Part Number</i>	<i>Qty.</i>	<i>Description</i>
1	104-2493	1	Battery	12:3	100-4918	1	Diode
2	117-2221	1	Switch-Ignition	13	3256-22	2	Washer-Flat
3	63-8360	1	Key-Ignition	14	32144-1	5	Screw-Taptite
4	93-9998	1	Switch-PTO	15	92-6989	1	Wire-21 Inch
5	110-6765	2	Switch-Single Pole No	16	32128-33	3	Nut-HF
6	100-3524	1	Switch-Seat	17	98-7249	1	Relay
7	117-1197	1	Solenoid	18	46-8560	2	Screw-HHF
8	117-5342	1	Cable-Battery, Positive	19	3220-2	2	Nut-Jam
9	117-7240	1	Cable-Battery, Negative	22	1-513374	1	Meter-Hour
10	117-7313-01	1	Strap-Battery	23	117-7255	1	Switch-Plunger W/Cover
11	321-4	2	Screw-HH	24	117-1283-03	1	Tray-Battery
12	117-7243	1	Harness-Wire	25	1-633651	1	Bolt-Holddown
12:1	109103	1	Fuse-30 Amp	26	1-543792	1	Wingnut
12:2	109102	1	Fuse-25 Amp				



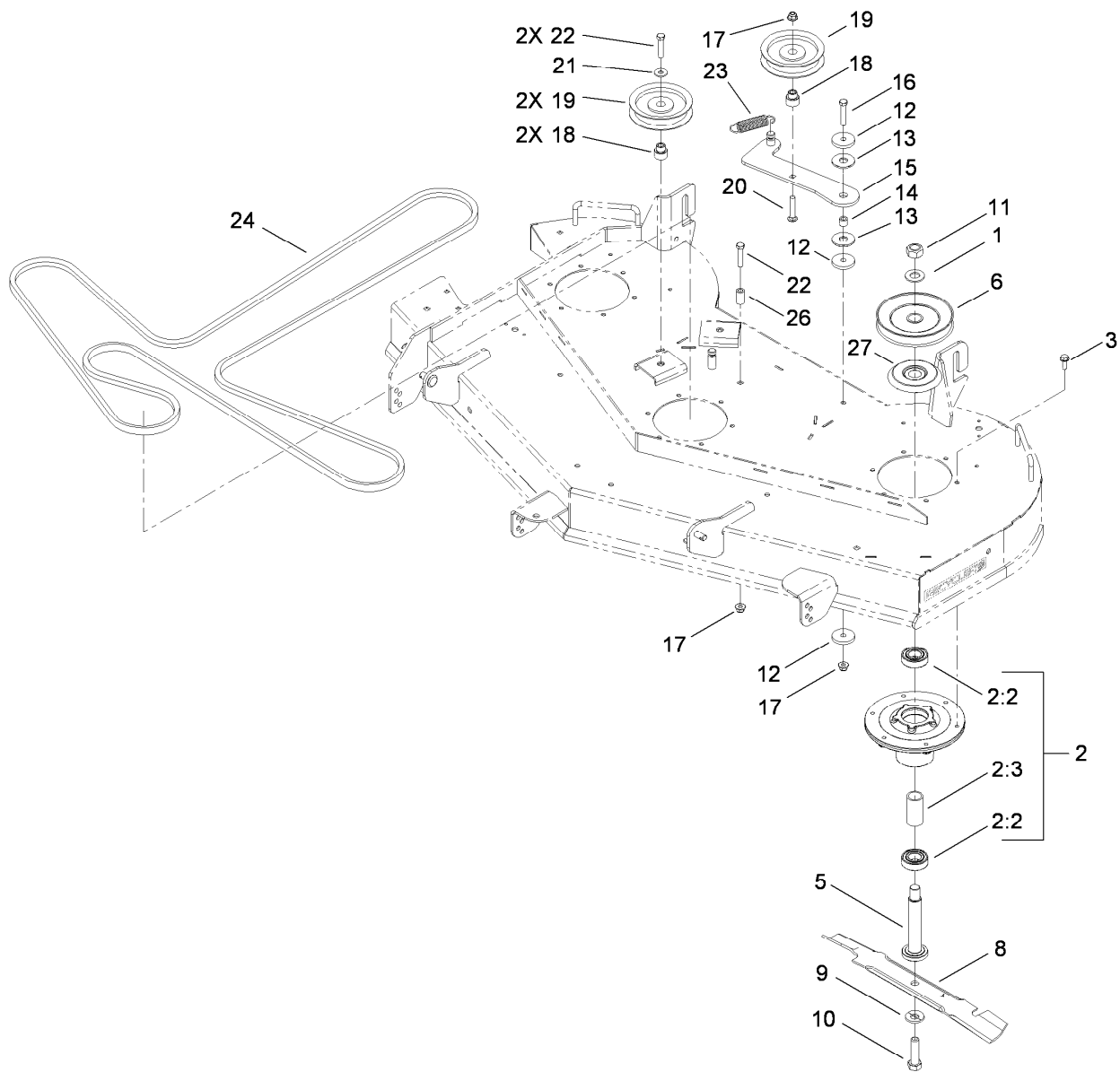
54 Inch Deck Assembly

Ref.	Part Number	Qty.	Description	Ref.	Part Number	Qty.	Description
1	117-5374	1	54 Inch Deck ASM	17	114-1648-03	1	Bracket-Deflector, Upper
2	117-7404-03	1	Cover-Belt, RH	18	117-1270	1	Deflector-Molded
3	117-7405-03	1	Cover-Belt, LH	19	115-5048-03	1	Plate-Deflector
4	32144-70	4	Screw-HWHTF	20	115-9653-03	1	Baffle-Cutoff
5	115-2622	2	Link-Lift	21	3230-3	4	Screw-CARR
6	3256-26	2	Washer-Flat	22	3230-22	4	Screw-CARR
7	1-806005	2	Pin-Hair	23	104-8300	8	Nut-Flange, NI
8	112-3977	3	Bolt-Shoulder	24	109-8854	1	Pin-Chute
9	104-8301	3	Nut-Flange, NI	25	115-9641	1	Spring-Torsion
10	1-603299	3	Roller-Scalp, Anti	26	95-2747	2	Fitting-Washout
11	117-1282-03	1	Plate-Cover	27	46-6290	2	O-Ring, Seal
12	115-2470	2	Pin-Latch	28	46-8560	4	Screw-HHF
13	101853	2	Spring-Compression	29	95-3270	1	Connector-Hose
14	3256-24	2	Washer-Flat	30	117-5302	1	Decal-54 Inch
15	3272-10	2	Pin-Cotter	31	93-7009	1	Decal-Danger, Deflector
16	3256-68	2	Washer-Flat				



Deck and Decal Assembly No. 117-5374

Ref.	Part Number	Qty.	Description
2	114-1606	2	Decal-Danger, Pulley
3	93-7009	1	Decal-Danger, Deflector
4	110-6691	2	Decal-Danger
5	112-9840	1	Decal-Scalp, Anti
6	117-1194	1	Decal-Routing, Belt
7	322-2	3	Screw-HH
8	104-8300	3	Nut-Flange, NI



54 Inch Deck Spindle and Blade Assembly

<i>Ref.</i>	<i>Part Number</i>	<i>Qty.</i>	<i>Description</i>	<i>Ref.</i>	<i>Part Number</i>	<i>Qty.</i>	<i>Description</i>
1	7-4150	3	Washer	14	1-413088	1	Bushing-Lever, Lift
2	117-1250	3	Spindle ASM	15	115-5054	1	Idler Arm ASM
2:2	104-6325	2	Bearing-Ball	16	323-10	1	Screw-HH
2:3	115-2641	1	Spacer-Bearing	17	104-8301	3	Nut-Flange, NI
3	32144-41	18	Screw-Taptite	18	115-2577	3	Bushing-Idler
5	115-2642	3	Shaft-Spindle	19	1-603843	3	Pulley-Idler
6	115-5018	3	Pulley	20	3231-6	1	Screw-CARR
8	115-9650-03	3	Blade-Hi Flo, 18.75 Inch	21	80-6990	2	Washer-Hardened
9	22-8520	3	Washer-Belleville	22	323-9	3	Screw-HH
10	51-4060	3	Screw-Blade	23	108-4056	1	Spring-Extension
11	3219-7	3	Nut-Hex	24	115-4971	1	V-Belt
12	110-9981	3	Washer-Plain	26	1-603401	1	Spacer-Fender
13	114-0463	2	Washer-Friction, Composite	27	117-7210	3	Shield-Bearing

Attachments and Accessories

For 74832 TITAN ZX5450 Zero-Turn-Radius Riding Mower

Product Name	Model/Part
54in Finishing Kit, Bagger	117-5311
54in Recycler Kit.....	117-5313
Hitch Kit	117-5315
Step Kit.....	117-5316
Light Kit.....	117-5317
Sunshade	117-5318
54in/60in Striping Kit.....	117-5319
Leaf Bagging Enhancement Kit	117-7202
Transport Seat Hold Down Kit.....	117-7251
Bagger	79326

Notes:



Count on it.