



Count on it.

Parts Catalog

22in Recycler® Lawn Mower

Model No. 20333—Serial No. 290000001 and Up

Ordering Replacement Parts

To order replacement parts, please supply the part number, the quantity, and the description of each part desired.

Understanding Reference Numbers

Each identified part in an illustration has a reference number. The reference number for a part also appears in the parts list, along with other information about the part.

This catalog uses two special reference number formats, one to indicate parts in a service assembly and another to indicate the quantity of a given part in an illustration.

Service Assembly Reference Numbers

Parts in service assemblies have reference numbers in the form a:b. The a represents the reference number of the entire service assembly and the b represents a sequential number unique to each part within the service assembly.

For example, a wheel assembly might be identified by reference number 6, the tire by 6:1, the valve by 6:2, and the wheel by 6:3. When you order the assembly identified by reference number 6, you receive all parts identified by reference numbers 6:1, 6:2, and 6:3. However, you may also order any part individually. Reference numbers of this type appear in illustration and in parts lists.

Reference Numbers Indicating Quantity

In an illustration, if a reference number indicates more than one part, the reference number has the form nX y. The n represents the quantity of the part, the X is the multiplication symbol, and the y represents the reference number.

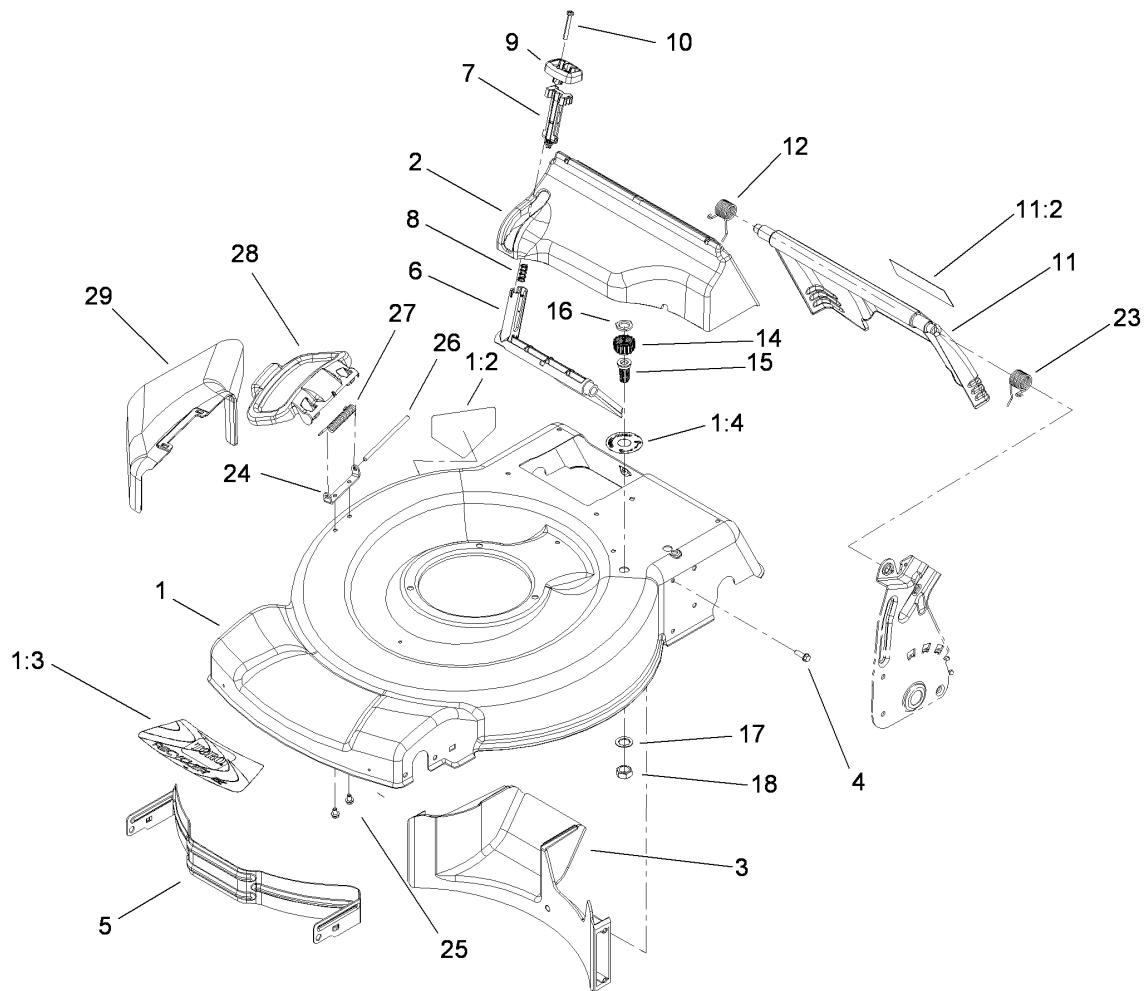
For example, in an illustration, the reference number 2X 37 means that two of the parts identified by reference number 37 are indicated.

List of Abbreviations

AR: as required	HSBH: hex socket button head	SFH: slotted fillister head
ASM: assembly	HSFH: hex socket flat head	SHH: slotted hex head
BBC: blade brake clutch	HSH: hex socket head	SHWH: slotted hex washer head
CARR: carriage	HWH: hex washer head	SPH: slotted pan head
CCW: counter clock wise	HWTF: hex washer head thread forming	SQH: square head
CW: clockwise	HYD: hydraulic	SRH: slotted round head
DEG: degrees	LH: left hand	STD: standard
ECM: electronic control module	NI: nylon insert	TAP: self tapping
EXT: external	NPTF: national pipe thread fine	TTH: torx truss head
FH: flat head	PFH: phillips flat head	
GA: gauge	PPH: phillips pan head	
HD: heavy-duty	PPHTF: phillips pan head thread forming	
HF: hex flange	PRH: phillips round head	
HH: hex head	PTH: phillips truss head	
HHF: hex head flange	PTO: power-take-off	
HHFTF: hex head flange thread forming	RH: right hand	
HJ: hex jam	ROPS: roll-over protection system	
HLH: hex lag head	RRB: rear roller brush	
HOC: height-of-cut		

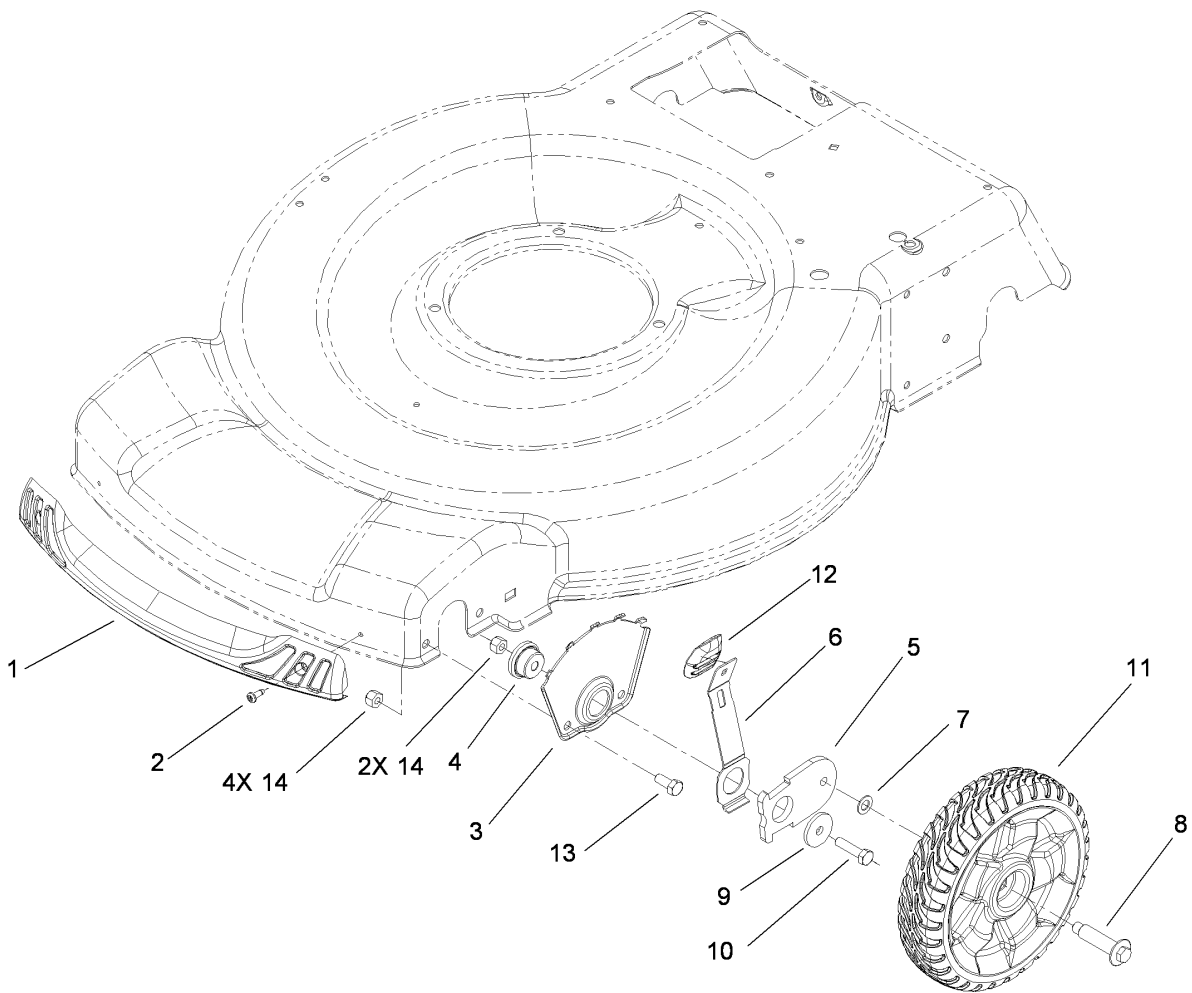
Contents

Deck, Side Chute and Rear Door Assembly	4
Front Axle Assembly	5
Rear Axle and Transmission Assembly	6
Engine Assembly	7
Handle Assembly	8
Handle Component Assembly	9
Rear Bag Assembly	10
Cylinder and Cylinder Head Assembly Briggs and Stratton 126T02-0256-B1	11
Crankshaft, Piston, Ring and Connecting Rod Assembly Briggs and Stratton 126T02-0256-B1	12
Crankcase Cover and Sump Assembly Briggs and Stratton 126T02-0256-B1	13
Carburetor Assembly Briggs and Stratton 126T02-0256-B1	14
Air Cleaner Assembly Briggs and Stratton 126T02-0256-B1	15
Governor and Controls Assembly Briggs and Stratton 126T02-0256-B1	16
Muffler and Fuel Tank Assembly Briggs and Stratton 126T02-0256-B1	17
Blower Housing, Flywheel and Ignition Assembly Briggs and Stratton 126T02-0256-B1	18
Rewind Starter Assembly Briggs and Stratton 126T02-0256-B1	19
Engine and Valve Gaskets and Carburetor Overhaul Kit Briggs and Stratton 126T02-0256-B1	20
Attachments and Accessories	21



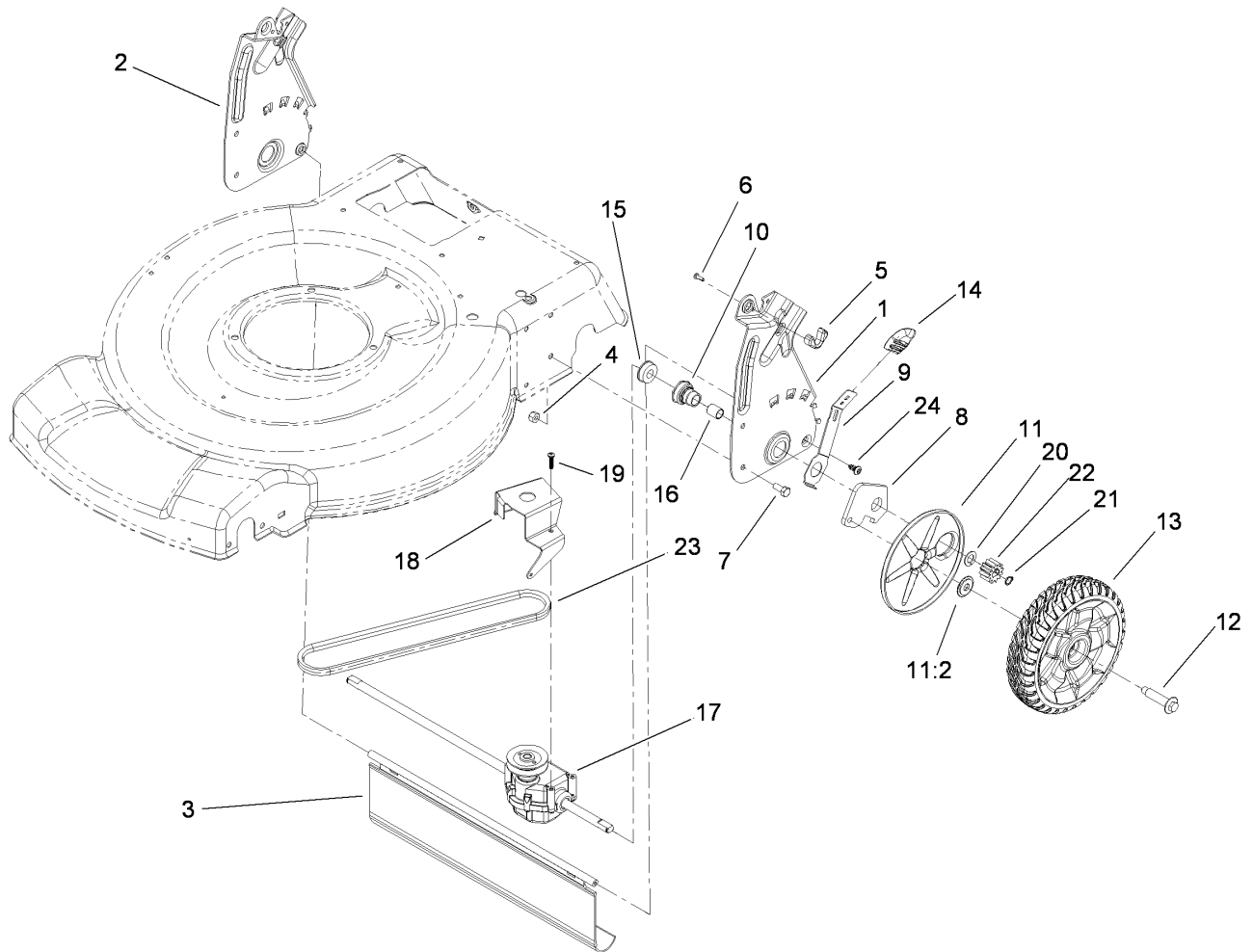
Deck, Side Chute and Rear Door Assembly

<i>Ref.</i>	<i>Part Number</i>	<i>Qty.</i>	<i>Description</i>	<i>Ref.</i>	<i>Part Number</i>	<i>Qty.</i>	<i>Description</i>
1	117-1084	1	Housing ASM	12	114-7924	1	Spring-Torsion
1:2	94-8072	1	Decal-Danger	14	112-6401	1	Coupling-Hose, Washout Port
1:3	115-4676	1	Decal-Recycler	15	112-6400	1	Port-Washout
1:4	112-8867	1	Decal	16	112-6438	1	Washer-Seal, Washout Port
2	115-4677	1	Chute-Recycle	17	3254-5	1	Washer-Tooth
3	114-7961	1	Baffle-Rear	18	3218-6	1	Nut-Jam
4	46-8091	9	Screw-HWH	23	115-2859	1	Spring-Torsion
5	114-7963-01	1	Baffle-Front	24	112-6416	1	Bracket-Cover
6	114-7960	1	Deflector-Recycle	25	99-8445	2	Screw-HWH
7	114-7959	1	Latch-Recycle	26	99-5291	1	Rod-Cover
8	117-1031	1	Spring-Compression	27	99-5293	1	Spring-Torsion
9	114-7958	1	Knob-Recycle	28	115-8449	1	Deflector-Side
10	32104-120	2	Screw-PPH	29	115-8447	1	Chute-Discharge, Side
11	114-7992	1	Rear Door ASM				
11:2	114-7982	1	Decal-Warning				



Front Axle Assembly

<i>Ref.</i>	<i>Part Number</i>	<i>Qty.</i>	<i>Description</i>
1	114-7987	1	Bumper
2	105-6849	2	Screw-Thread Forming
3	115-1956-03	2	Plate-HOC, Front
4	105-1818	2	Bushing-Mount, HOC
5	105-1807	2	Arm-Pivot, Front
6	105-1809	2	Arm-Spring
7	40-1940	2	Washer
8	614650	2	Bolt-Shoulder
9	105-3048	2	Washer-Flat
10	322-6	2	Screw-HH
11	115-2894	2	8In Wheel ASM
12	105-3042	2	Knob-Lever, HOC
13	322-3	4	Screw-HH
14	3296-29	6	Nut-Lock, NI



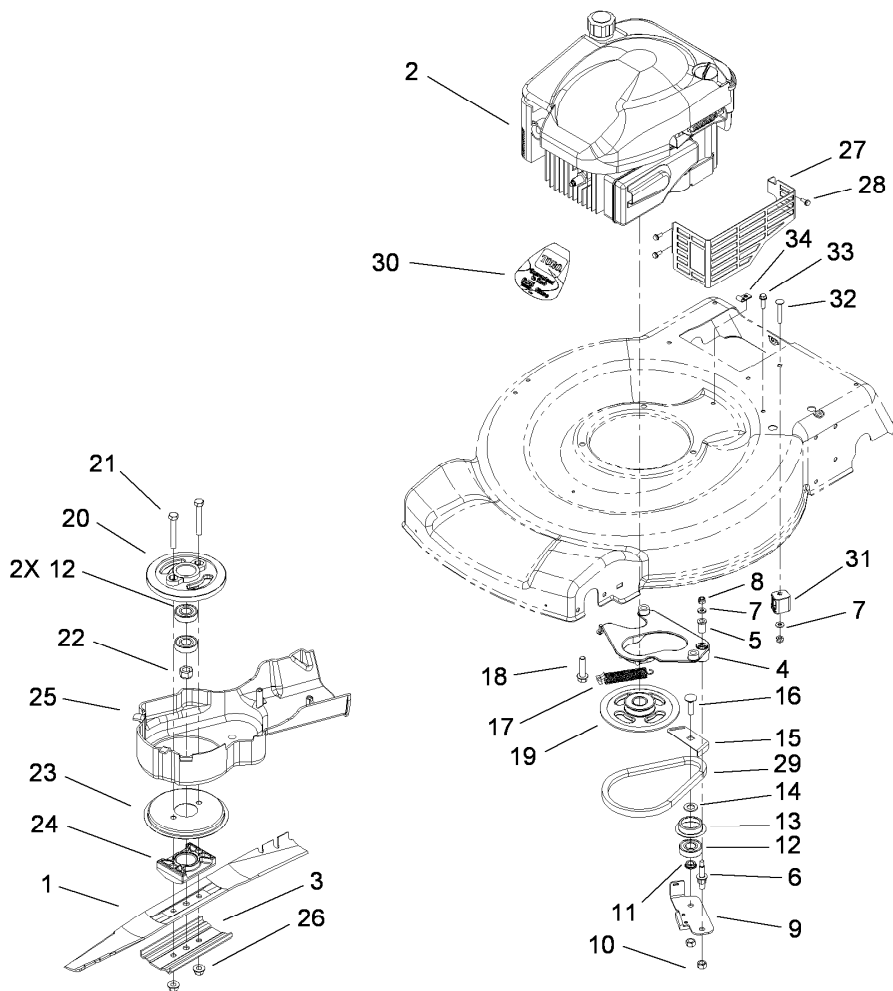
Rear Axle and Transmission Assembly

Ref.	Part Number	Qty.	Description
1	114-7955-03	1	Plate-LH, Rear HOC
2	114-7956-03	1	Plate-RH, Rear HOC
3	115-2893	1	Shield-Trailing
4	3296-29	4	Nut-Lock, NI
5	115-8406	2	Anchor-Bag (Rwd)
6	105-9437	2	Screw-PPH
7	322-3	4	Screw-HH
8	108-9781	2	Arm-Pivot, Rear
9	108-9780	2	Arm-Spring
10	108-9779	2	Retainer-Bushing, HOC
11	110-1792	2	Wheel Cover ASM
11:1		1	Cover-Wheel ●■
11:2	614426	1	Washer-Stepped

Ref.	Part Number	Qty.	Description
12	614650	2	Bolt-Shoulder
13	115-4695	2	Wheel Gear ASM
14	105-3042	2	Knob-Lever, HOC
15	104-8699	2	Bearing-Ball
16	108-9782	2	Bushing-Sleeve
17	115-4652	1	Transmission (4.5/1)
18	114-7977-03	1	Bracket-Transmission
19	108-7476	3	Screw-Plastite
20	110-7191	2	Washer-Thrust
21	32151-61	2	Ring-Retaining
22	115-4668	2	Gear-Pinion, 12T
23	115-4669	1	V-Belt
24	117-1092	2	Screw-PTH

● Not illustrated

■ Not serviced separately



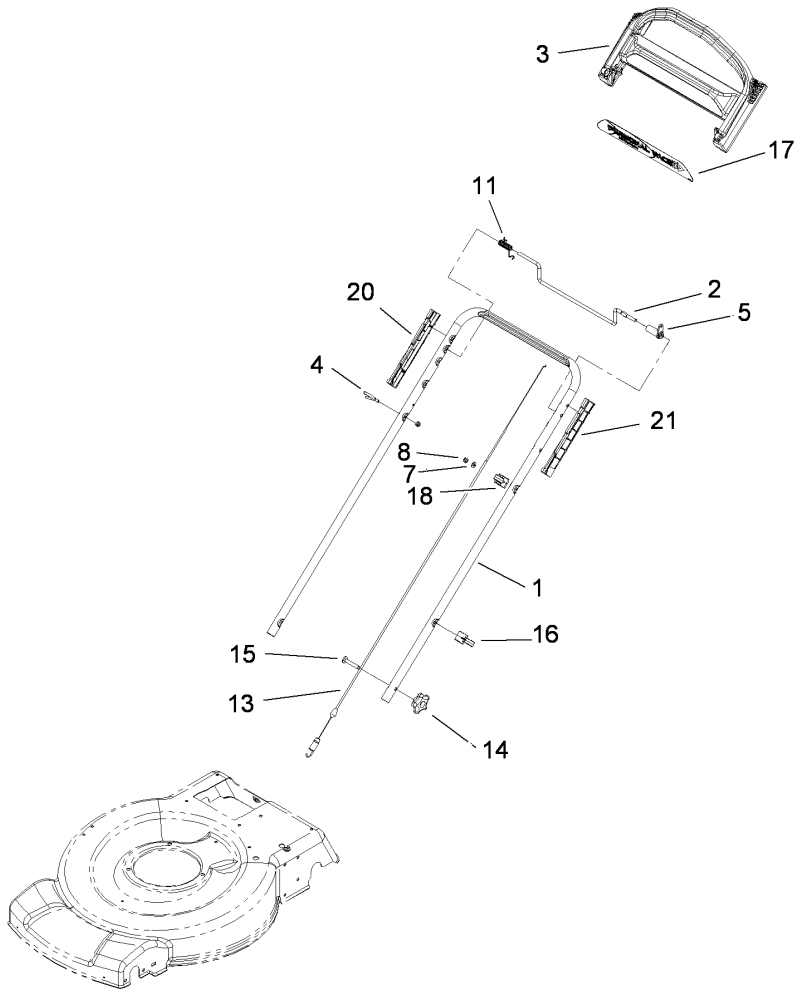
Engine Assembly

Ref.	Part Number	Qty.	Description
1	108-9764-03	1	Blade-22 Inch
2		1	Engine-Briggs, 126T02-0256-B1 ●■
3	108-3766-03	1	Support-Blade
4	108-9341	1	Plate-Anchor
5	107-0797	1	Bushing
6	107-0759	1	Bolt-Shoulder
7	3256-16	2	Washer-Flat
8	3296-73	2	Nut-Lock, NI
9	107-7477	1	Brake Arm ASM
10	603773	2	Nut
11	107-0758	1	Spacer-Bearing
12	100-1048	3	Bearing-Ball
13	108-3790	1	Retainer-Belt
14	605256	1	Washer
15	107-7471	1	Plate-Guide
16	3231-25	1	Screw-CARR
17	108-3792	1	Spring-Tension, Brake

Ref.	Part Number	Qty.	Description
18	32144-102	3	Screw-HWH
19	110-7456	1	Pulley
20	107-0754	1	Drum
21	3211-42	2	Screw-HH
22	108-9342	1	Nut-Hex
23	108-3787	1	Disc
24	107-7487	1	Support-Blade
25	115-2892	1	Cover-BBC
26	54-9190	2	Nut-Lock
27	104-7577-03	1	Shield-Muffler
28	32144-1	3	Screw-Taptite
29	110-1790	1	Belt-BBC
30	117-1017	1	Decal
31	106-6801	1	Anchor-Cable, BBC
32	3229-5	1	Screw-CARR
33	46-8091	2	Screw-HWH
34	2412-72	1	Clip-Closed, Insulated

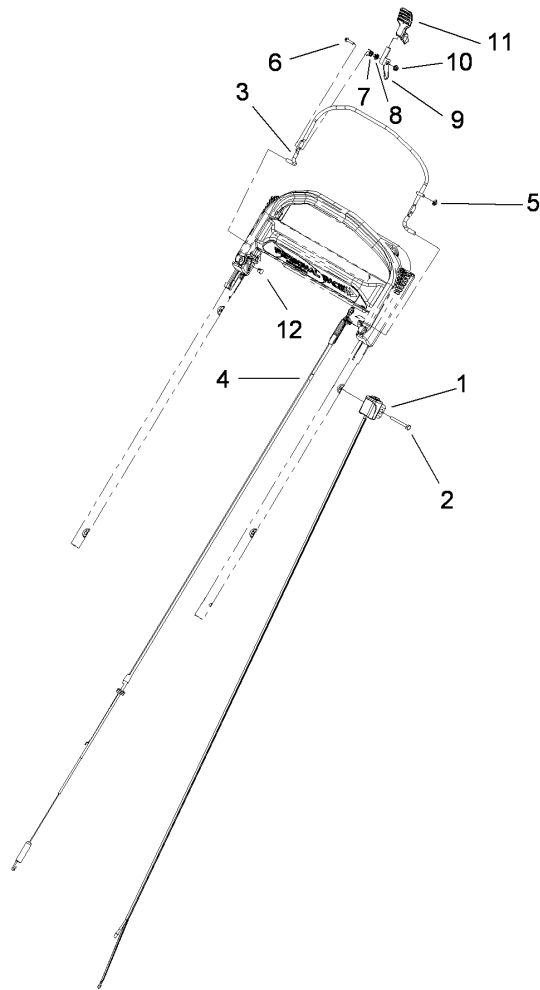
● Not serviced separately

■ Obtain parts from www.briggsandstratton.com



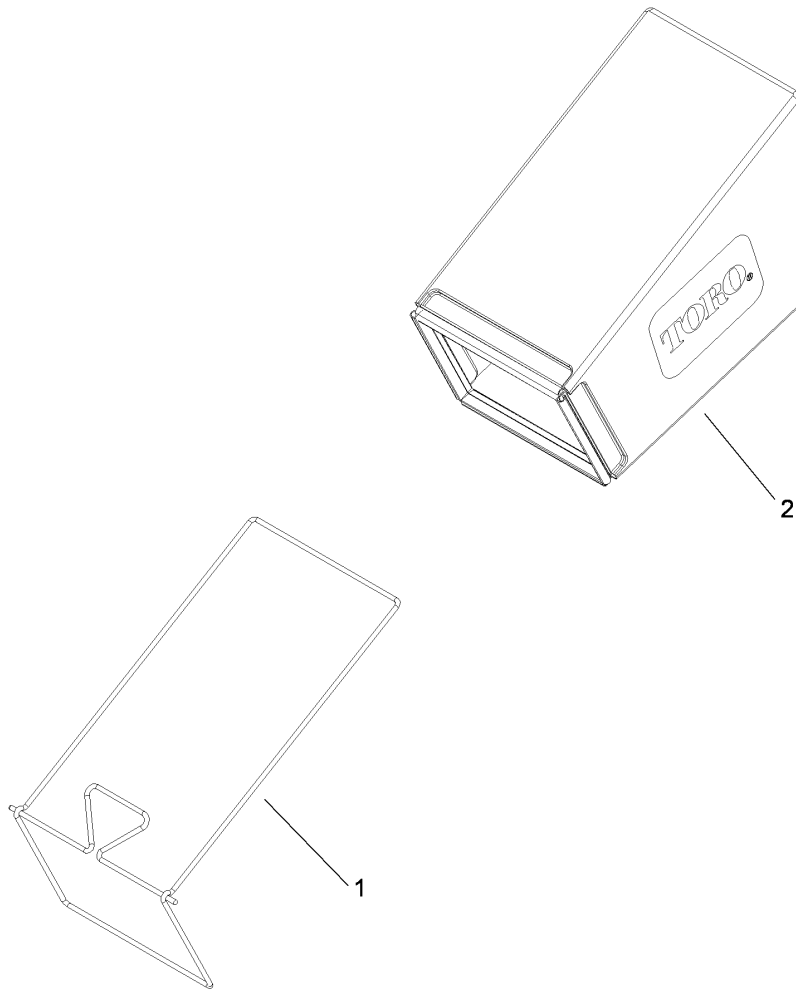
Handle Assembly

<i>Ref.</i>	<i>Part Number</i>	<i>Qty.</i>	<i>Description</i>
1	114-0333-05	1	Handle
2	99-1588	1	Bar-Control, Traction
3	104-8678	1	Handle-Control
4	86-9671	1	Guide-Rope
5	99-1589	1	Lever-Traction
7	3256-1	1	Washer-Flat
8	3296-73	2	Nut-Lock, NI
11	104-8690	1	Spring-Torsion
13	115-8435	1	Cable-Traction
14	108-8162	2	Knob-Locking
15	3230-6	2	Screw-CARR
16	106-6805	1	Guide-Cable
17	117-1019	1	Decal
18	99-5239	1	Anchor-Cable
20	105-6841	1	Guide-RH
21	105-6842	1	Guide-LH



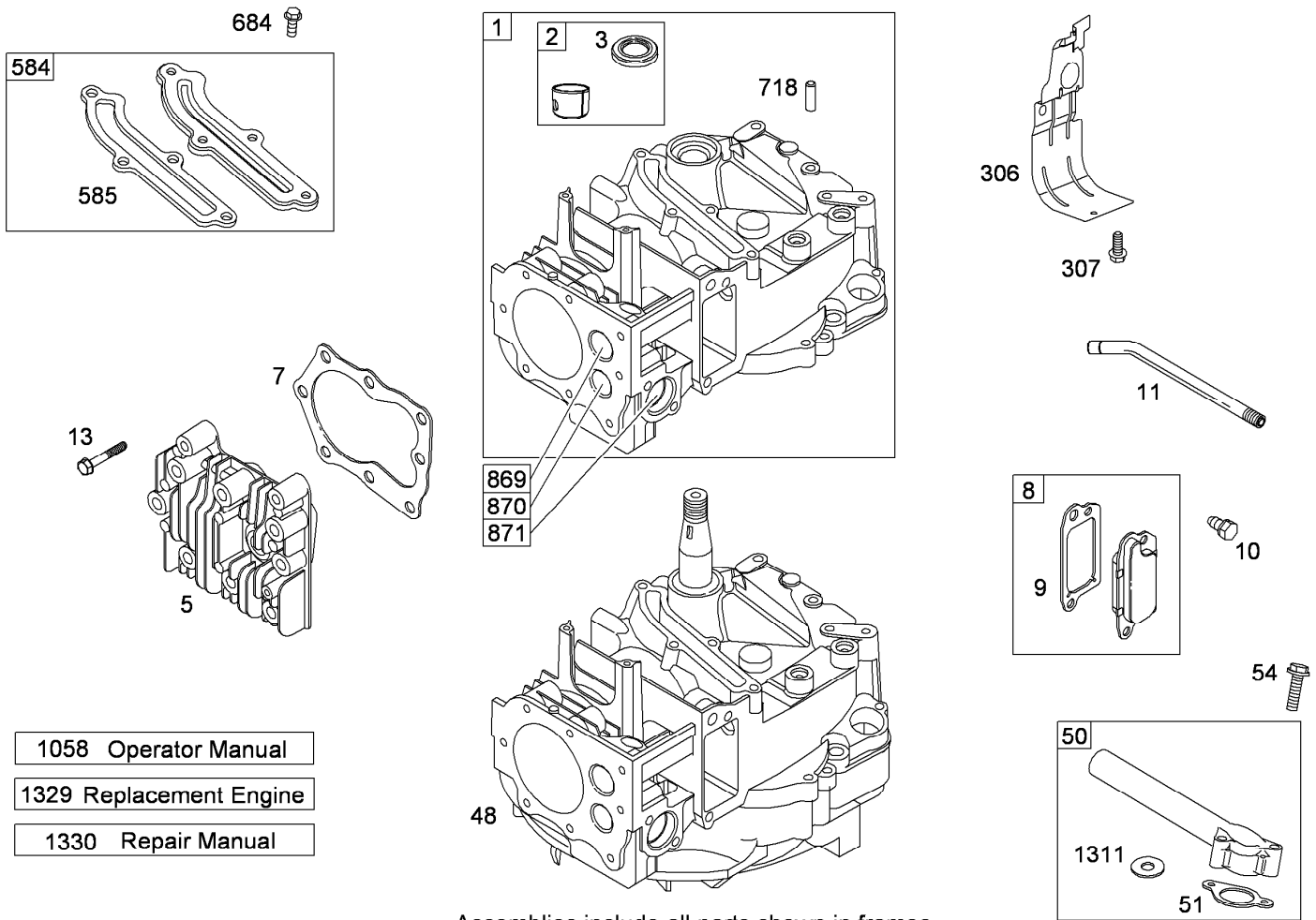
Handle Component Assembly

<i>Ref.</i>	<i>Part Number</i>	<i>Qty.</i>	<i>Description</i>
1	108-8161	1	Switch Housing ASM
2	321-50	1	Screw-HH
3	108-3788-03	1	Bail-Brake
4	115-8439	1	Cable-Brake, BBC
5	3290-337	1	Nut-Speed
6	106-9169	1	Screw
7	107-7462	1	Spring-Torsion
8	107-7463	1	Spacer
9	106-6802	1	Lever
10	32128-17	1	Nut-Lock, Flange
11	112-8884	1	Knob-BBC
12	104-9368	1	Plug-Dome



Rear Bag Assembly

<i>Ref.</i>	<i>Part Number</i>	<i>Qty.</i>	<i>Description</i>
1	114-2679-03	1	Frame-Bag
2	115-4673	1	Grass Bag ASM



Assemblies include all parts shown in frames

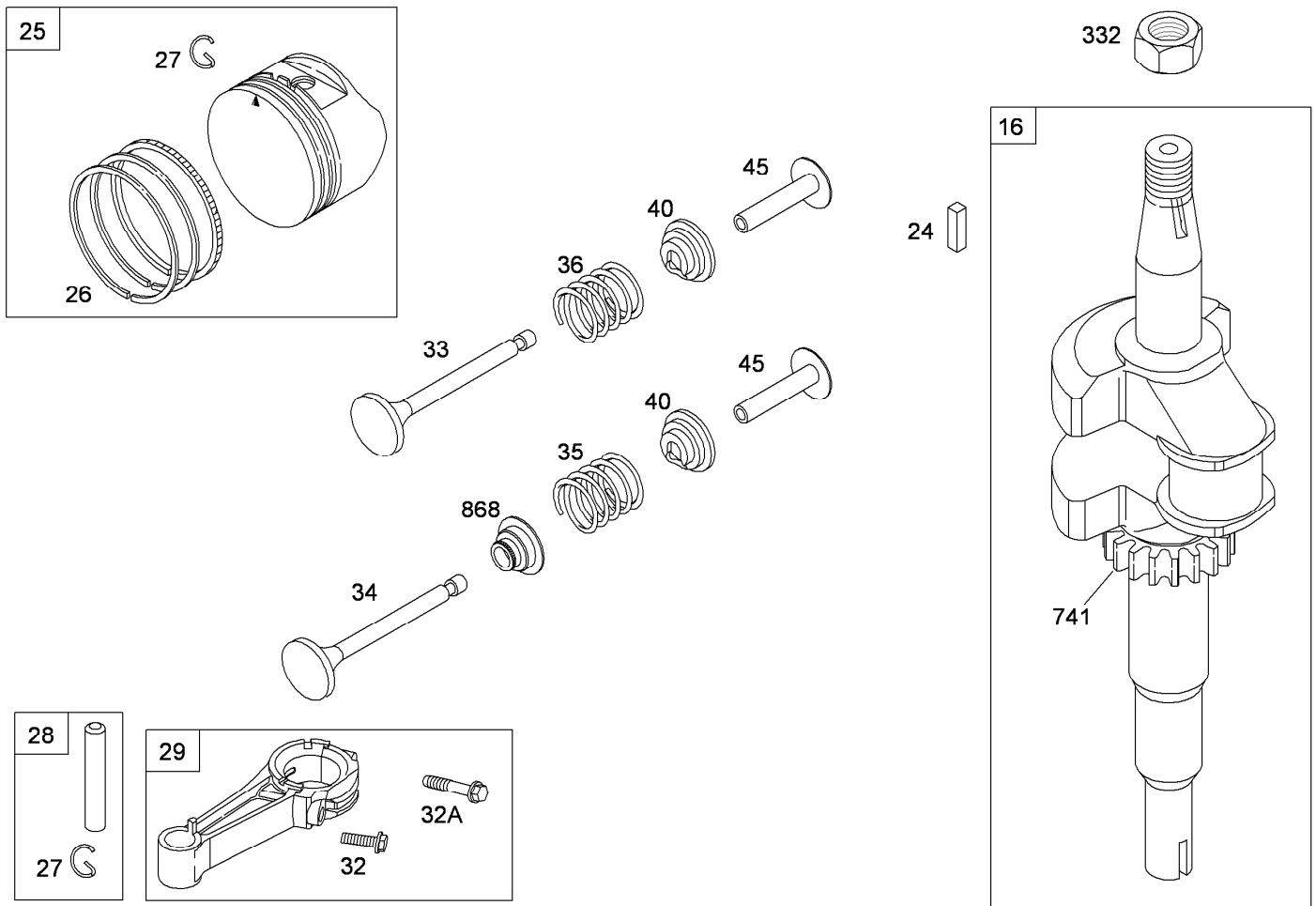
- 1058 Operator Manual
- 1329 Replacement Engine
- 1330 Repair Manual

Cylinder and Cylinder Head Assembly Briggs and Stratton 126T02-0256-B1

Ref.	Part Number	Qty.	Description	Ref.	Part Number	Qty.	Description
1	697322	1	Cylinder ASM ■	584	697734	1	Cover-Passage, Breather ■
2	399269	1	Bushing And Seal Kit ■	585	691879	1	Gasket-Passage, Breather ■▲
3	299819s	1	Seal-Oil (Magneto Side) ■▲	684	690345	1	Screw (Breather Passage Cover) ■
5	691160	1	Head-Cylinder ■	718	690959	1	Pin-Locating ■
7	692249	1	Gasket-Head, Cylinder ■▲◆	869	691155	1	Seat-Valve (Intake) ■
8	695250	1	Breather Asm ■	870	690380	1	Seat-Valve (Exhaust) ■
9	699472	1	Gasket-Breather ■▲◆	871	262001	1	Bushing-Guide (Exhaust) ■
10	691125	1	Screw (Breather Asm) ■	871	63709	1	Bushing-Guide (Intake) ■
11	691781	1	Tube-Breather ■	1058	277039	1	Operator Manual ■
13	690912	1	Screw (Cylinder Head) ■	1311	690390	1	Washer (Intake Manifold) ■
48	795809	1	Short Block ■	1329	126T020615B1	1	Replacement Engine ■●
50	794305	1	Manifold-Intake ■	1330	270962	1	Repair Manual ■
51	794306	1	Gasket-Intake ■▲				
54	691650	1	Screw (Intake Manifold) ■				
306	790836	1	Shield-Cylinder ■				
307	690345	1	Screw (Breather Passage Cover) ■				

● Not illustrated
▲ Included in Engine Gasket Set (Ref. No. 358)

■ Obtain parts from www.briggsandstratton.com
◆ Included in Valve Gasket Set (Ref. No. 1095)

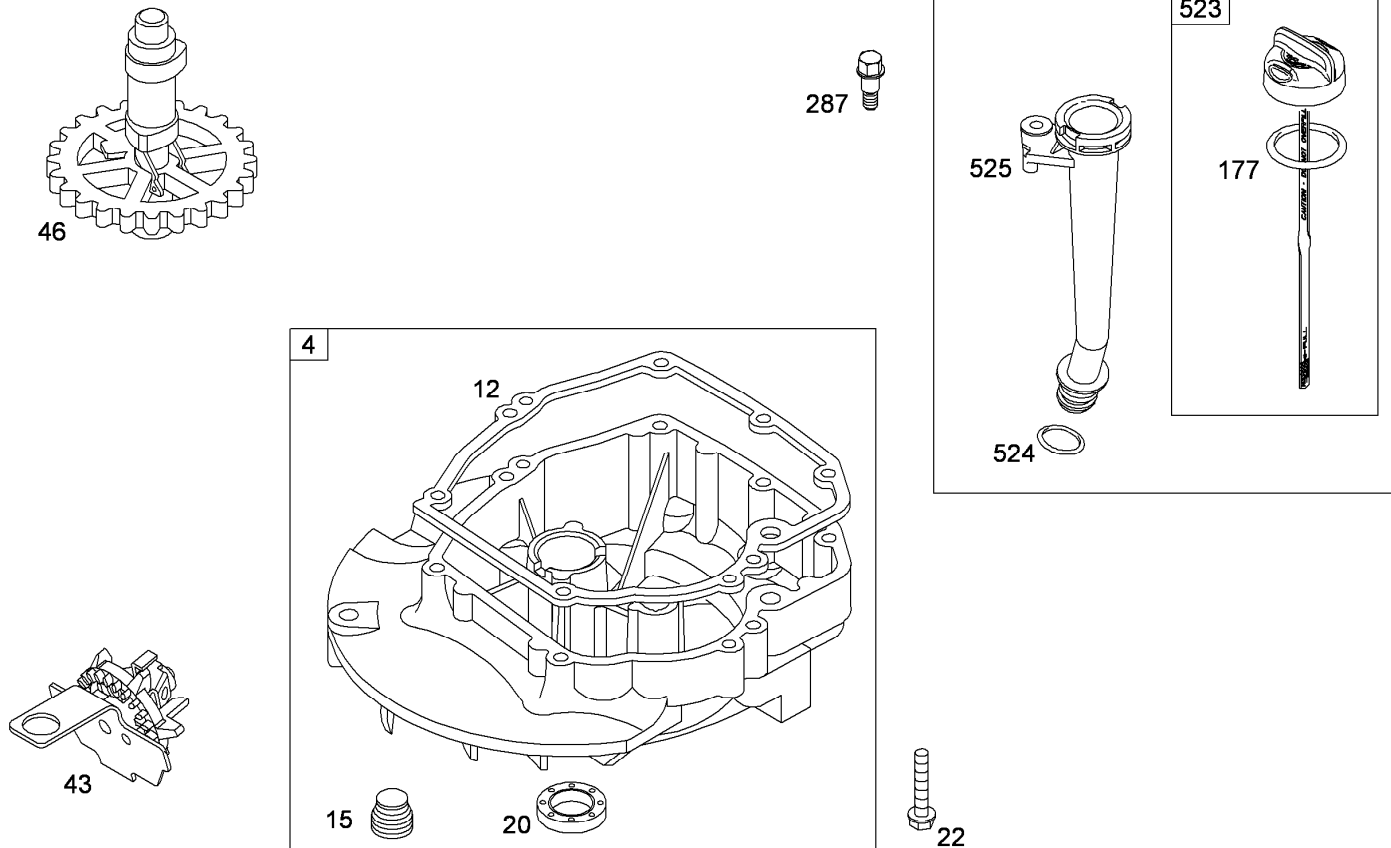


Assemblies include all parts shown in frames

Crankshaft, Piston, Ring and Connecting Rod Assembly Briggs and Stratton 126T02-0256-B1

Ref.	Part Number	Qty.	Description	Ref.	Part Number	Qty.	Description
16	795499	1	Crankshaft ●	32A	695759	1	(Connecting Rod) (Long) ●
24	222698s	1	Key-Flywheel ●	33	262651s	1	Valve-Exhaust ●
25	795429	1	Piston Asm (Standard) ●	34	262652s	1	Valve-Intake ●
25	795430	1	Piston Asm (.020 Oversize) ●	35	691270	1	Spring-Valve (Intake) ●
26	795431	1	Ring Set (Standard) ●	36	691270	1	Spring-Valve (Exhaust) ●
26	795432	1	Ring Set (.020 Oversize) ●	40	692194	1	Retainer-Valve ●
27	691866	1	Lock-Pin, Piston ●	45	690548	1	Tappet-Valve ●
28	499423	1	Pin-Piston ●	332	690662	1	Nut (Flywheel) ●
29	499424	1	Rod-Connecting ●	741	795755	1	Gear-Timing ●
32	691664	1	Screw (Connecting Rod) (Short) ●	868	697338	1	Seal-Valve ●

● Obtain parts from www.briggsandstratton.com



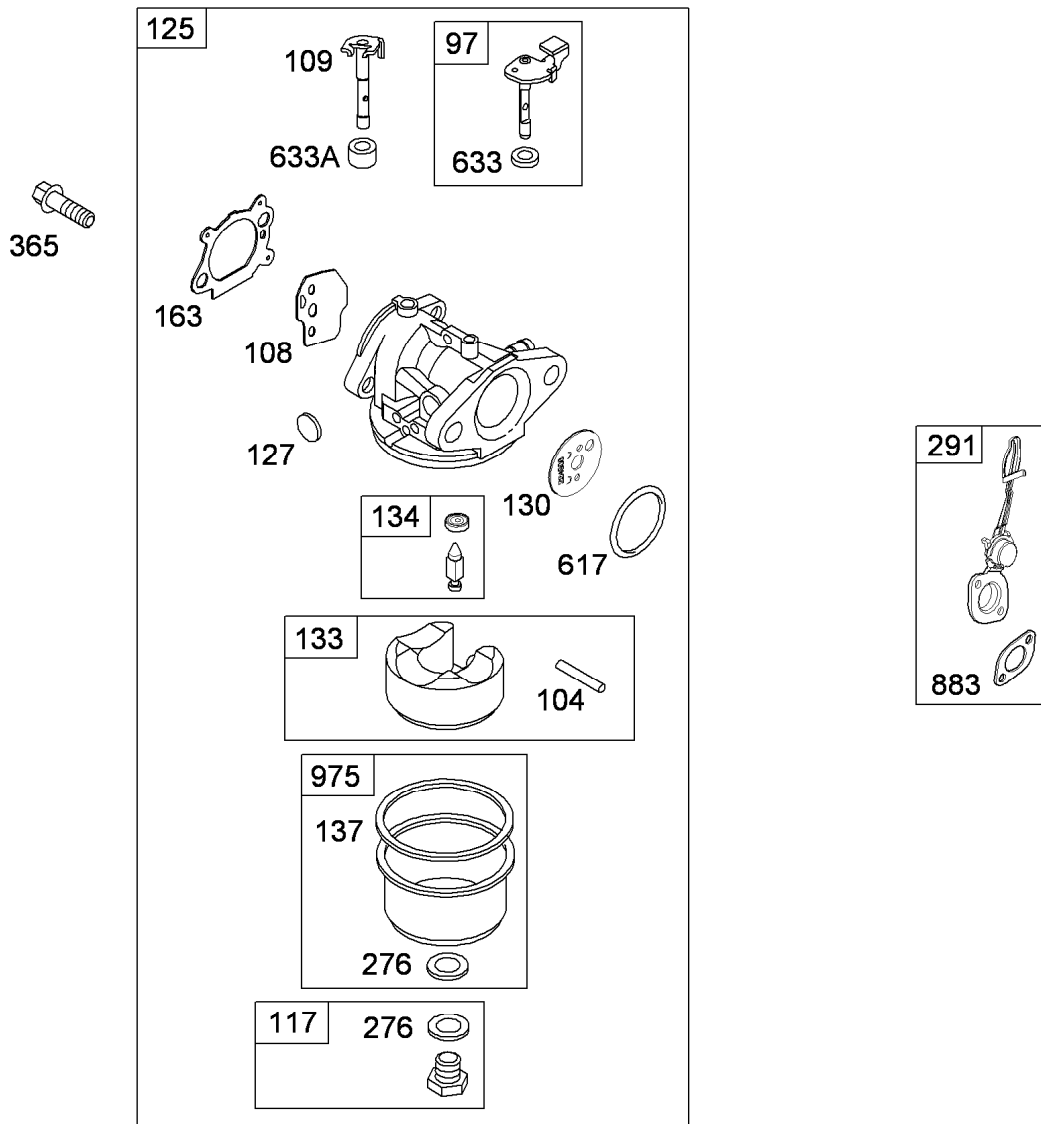
Assemblies include all parts shown in frames

Crankcase Cover and Sump Assembly Briggs and Stratton 126T02-0256-B1

Ref.	Part Number	Qty.	Description
4	493279	1	Sump-Engine ●
12	692232	1	Gasket-Crankcase (.015 STD) ●■
15	691680	1	Plug-Drain, Oil ●
20	399781s	1	Seal-Oil (PTO Side) ●■
22	691092	1	Screw (Crankcase Cover To Sump) ●
43	691997	1	Slinger-Oil, Governor ●
46	691449	1	Camshaft ●
177	691031	1	Seal-O Ring (Dipstick) ●■
287	690940	1	Screw (Dipstick Tube) ●
523	499621	1	Dipstick ●
524	692296	1	Seal-O Ring (Dipstick Tube) ●■
525	495265	1	Tube-Dipstick ●
847	692047	1	Dipstick Tube ASM ●

● Obtain parts from www.briggsandstratton.com

■ Included in Engine Gasket Set (Ref. No. 358)



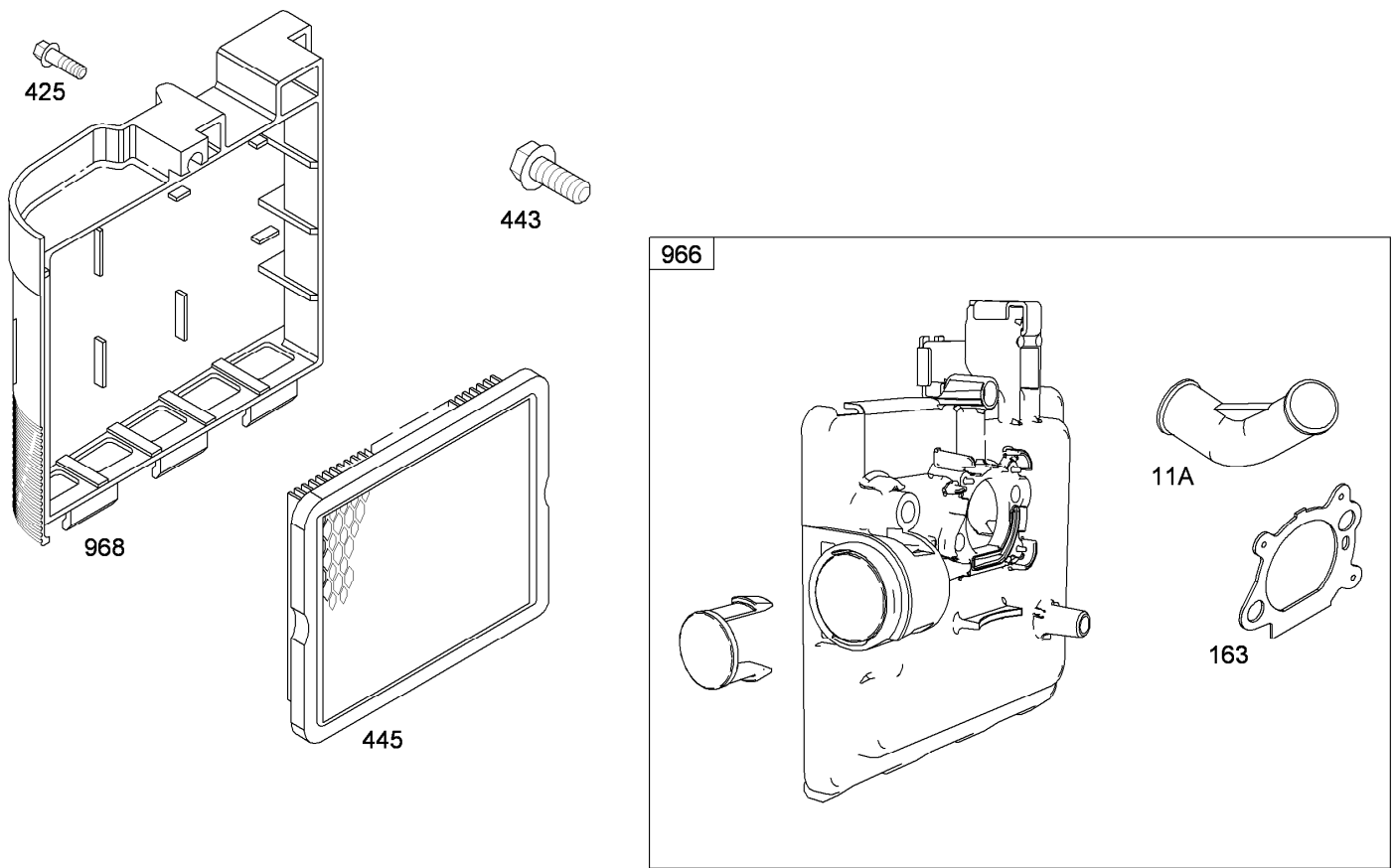
Assemblies include all parts shown in frames

Carburetor Assembly Briggs and Stratton 126T02-0256-B1

Ref.	Part Number	Qty.	Description	Ref.	Part Number	Qty.	Description
97	696565	1	Shaft-Throttle ●	163	795629	1	Gasket-Cleaner, Air ●◆■
104	691242	1	Pin-Hinge, Float ●◆	276	271716	1	Washer-Sealing ●◆
108	795935	1	Valve-Choke ●	291	790830	1	Thermostat ●
109	795936	1	Shaft-Choke ●	365	691688	1	Screw (Carburetor) ●
117	695042	1	Jet-Main (STD) ●	617	270344s	1	Seal-O Ring (Intake Manifold) ●◆■
125	794304	1	Carburetor ●	633	691321	1	Seal-Shaft, Choke Throttle (Throttle Shaft) ●◆
127	694468	1	Plug-Welch ●◆	633A	693867	1	Seal-Shaft, Choke Throttle (Choke Shaft) ●
130	696564	1	Valve-Throttle ●	883	691881	1	Gasket-Exhaust ●■▲
133	398187	1	Float-Carburetor ●	975	493640	1	Bowl-Float ●
134	398188	1	Needle And Seat Kit ●◆				
137	796610	1	Gasket-Bowl, Float (Used After Date Code 08120100) ●◆				
137	693981	1	Gasket-Bowl, Float (Used Before Date Code 08120200) ●◆				

● Obtain parts from www.briggsandstratton.com
▲ Included in Valve Gasket Set (Ref. No. 1095)

■ Included in Engine Gasket Set (Ref. No. 358)
◆ Included in Carburetor Overhaul Kit (Ref. No. 121)



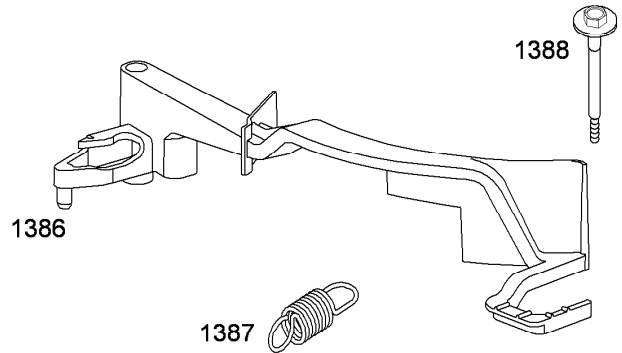
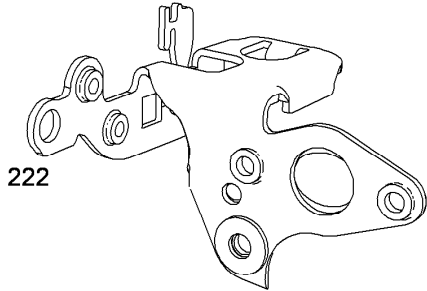
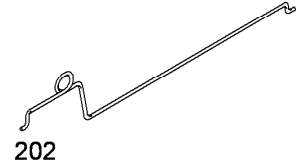
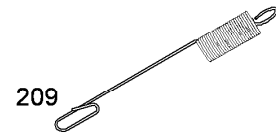
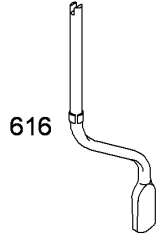
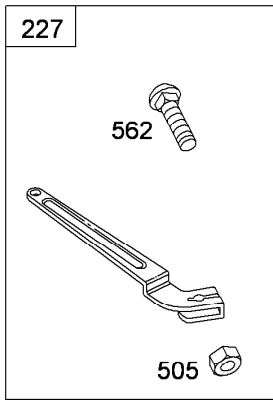
Assemblies include all parts shown in frames

Air Cleaner Assembly Briggs and Stratton 126T02-0256-B1

<i>Ref.</i>	<i>Part Number</i>	<i>Qty.</i>	<i>Description</i>
11A	691923	1	Tube-Breather (Air Cleaner Primer Base) ●
163	795629	1	Gasket-Cleaner, Air ●▲■
425	690670	1	Screw (Air Cleaner Cover) ●
443	692523	1	Screw (Air Cleaner Primer Base) ●
445	491588s	1	Filter-Cartridge, Air Cleaner ●
966	795259	1	Base-Primer, Air Cleaner ●
968	692298	1	Cover-Cleaner, Air ●

● Obtain parts from www.briggsandstratton.com
▲ Included in Carburetor Overhaul Kit (Ref. No. 121)

■ Included in Engine Gasket Set (Ref. No. 358)

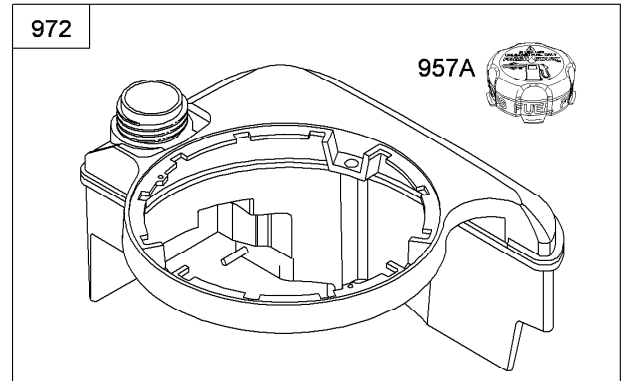
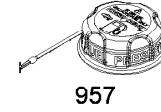
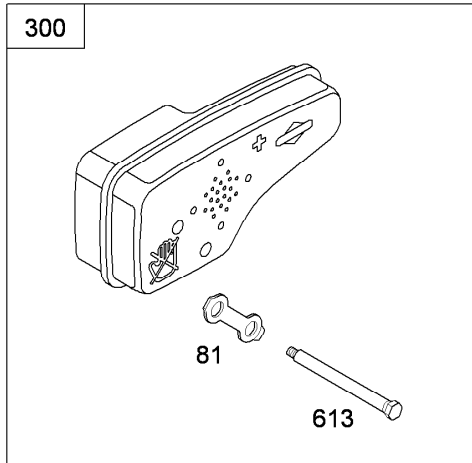
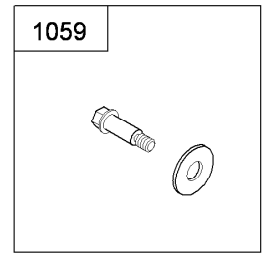
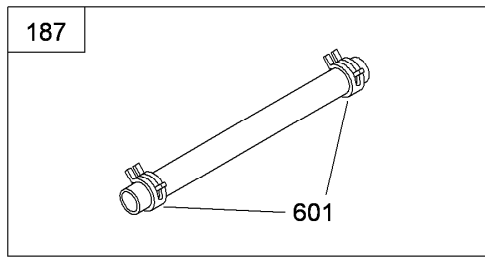
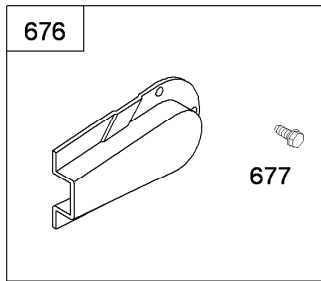


Assemblies include all parts shown in frames

Governor and Controls Assembly Briggs and Stratton 126T02-0256-B1

Ref.	Part Number	Qty.	Description
202	691829	1	Link-Governor, Mechanical ●
209	691292	1	Spring-Governor (Black) ●
222	795937	1	Bracket-Control ●
227	690783	1	Lever-Control, Governor ●
404	690272	1	Washer (Governor Crank) ●
505	691251	1	Nut (Governor Control Lever) ●
562	691119	1	Screw (Governor Control Lever) ●
615	690340	1	Retainer-Shaft, Governor ●
616	698801	1	Crank-Governor ●
1386	790848	1	Vane-Air ●
1387	790849	1	Spring-Vane, Air ●
1388	790850	1	Screw (Air Vane) ●

● Obtain parts from www.briggsandstratton.com



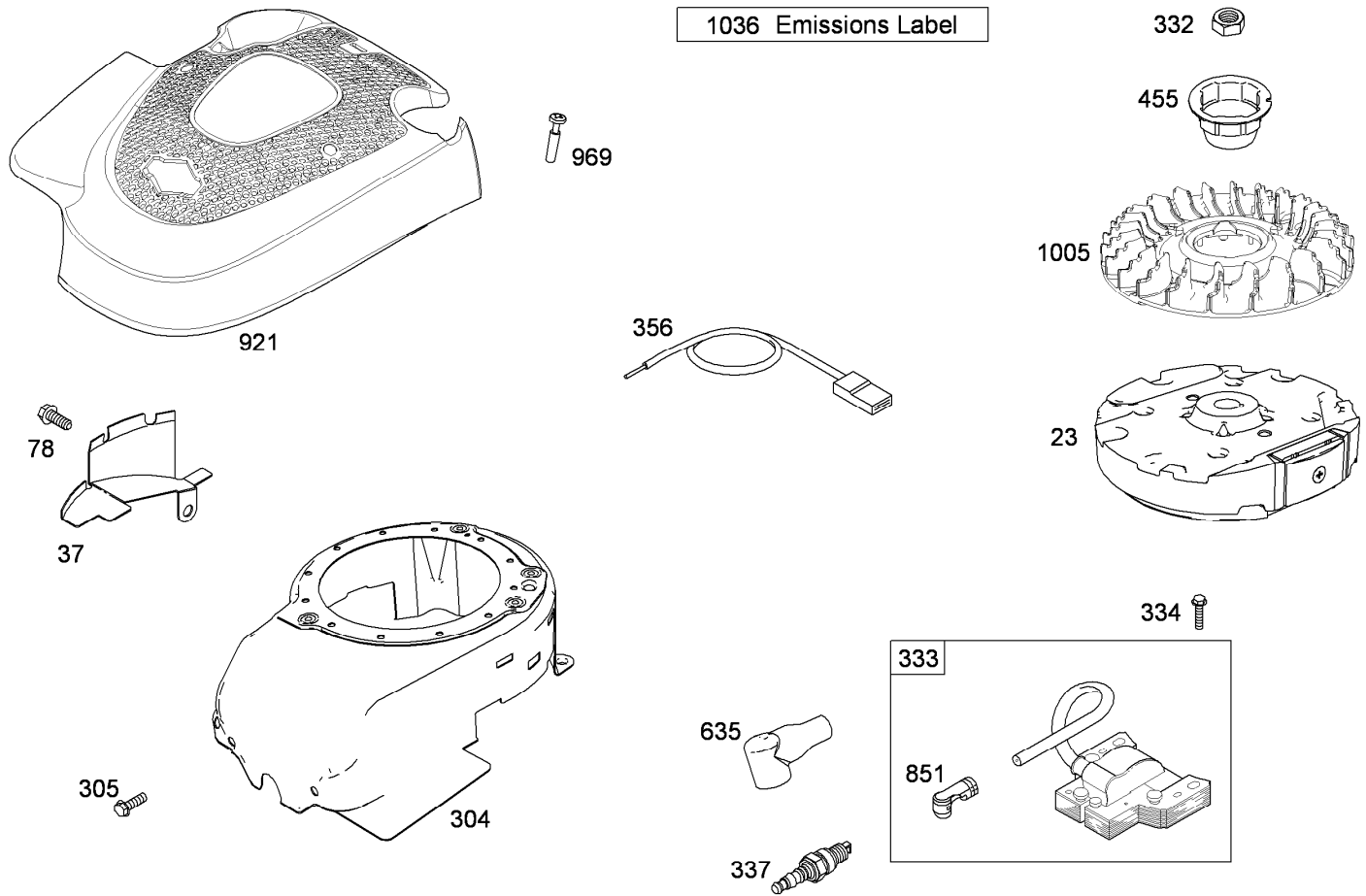
Assemblies include all parts shown in frames

Muffler and Fuel Tank Assembly Briggs and Stratton 126T02-0256-B1

Ref.	Part Number	Qty.	Description
81	691740	1	Lock-Screw, Muffler ●
187	791766	1	Line fuel (Cut To Required Length) ●
190	690940	1	Screw (Fuel Tank) ●
300	790828	1	Muffler ●
601	791850	1	Clamp-Hose ●
613	790833	1	Screw (Muffler) ●
676	493871	1	Deflector-Muffler ●
677	690661	1	Screw (Muffler Deflector) ●
883	691881	1	Gasket-Exhaust ●■▲
957	793606	1	Cap-Tank, Fuel ●
957A	796654	1	Cap-Tank, Fuel ●
972	699374	1	Tank-Fuel ●
1059	692311	1	Screw And Washer Kit ●

● Obtain parts from www.briggsandstratton.com
▲ Included in Valve Gasket Set (Ref. No. 1095)

■ Included in Engine Gasket Set (Ref. No. 358)



Assemblies include all parts shown in frames

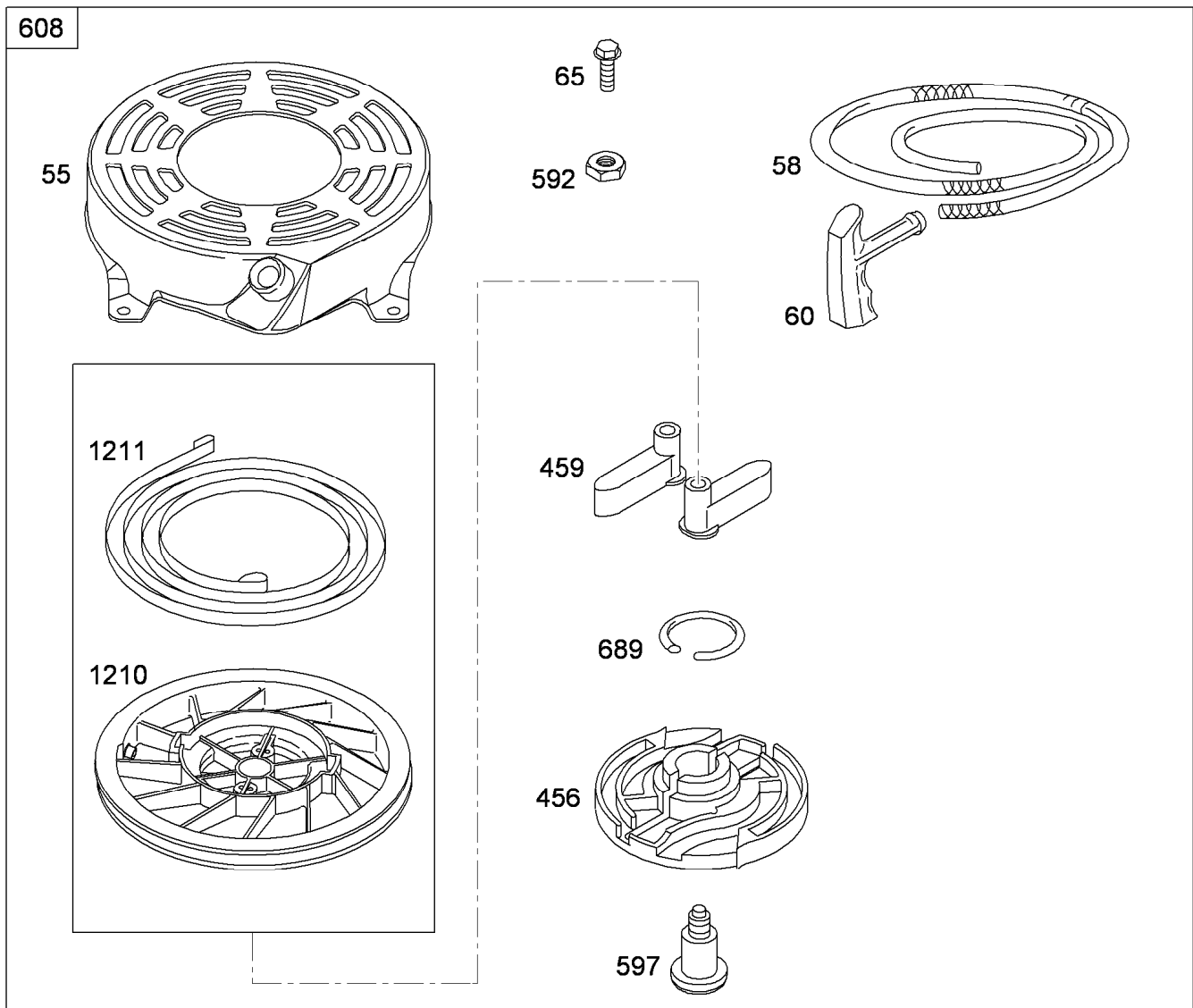
Blower Housing, Flywheel and Ignition Assembly Briggs and Stratton 126T02-0256-B1

Ref.	Part Number	Qty.	Description	Ref.	Part Number	Qty.	Description
23	790536	1	Flywheel ▲	356	690791	1	Wire-Stop ▲
37	793756	1	Guard-Flywheel ▲	455	791960	1	Cup-Flywheel ▲
78	691108	1	Screw (Blower Housing) ▲	635	66538s	1	Boot-Spark Plug ▲
304	791291	1	Housing-Blower ▲	851	483880s	1	Terminal-Spark Plug ▲
305	691108	1	Screw (Blower Housing) ▲	921	790036	1	Cover-Housing, Blower ▲
332	690662	1	Nut (Flywheel) ▲	969	691138	1	Screw (Blower Housing Cover) ▲
333	802574	1	Armature-Magneto ▲	1005	691346	1	Fan flywheel ▲
334	691061	1	Screw (Magneto Armature) ▲	1036		1	Label-Emissions ▲●■
337	802592s	1	Spark Plug ▲				

● Not illustrated

▲ Obtain parts from www.briggsandstratton.com

■ Not serviced separately

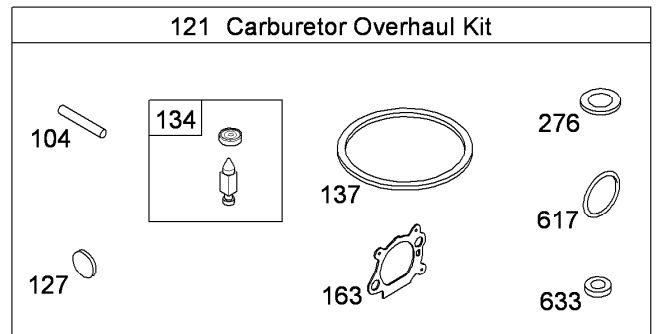
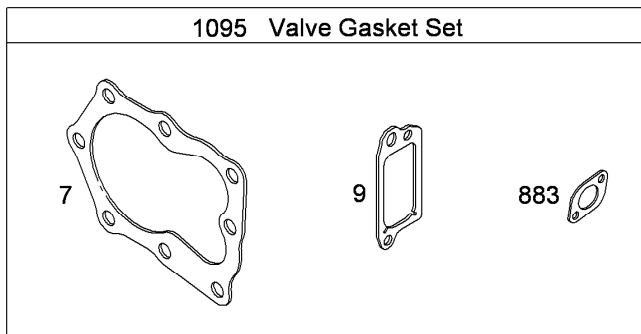
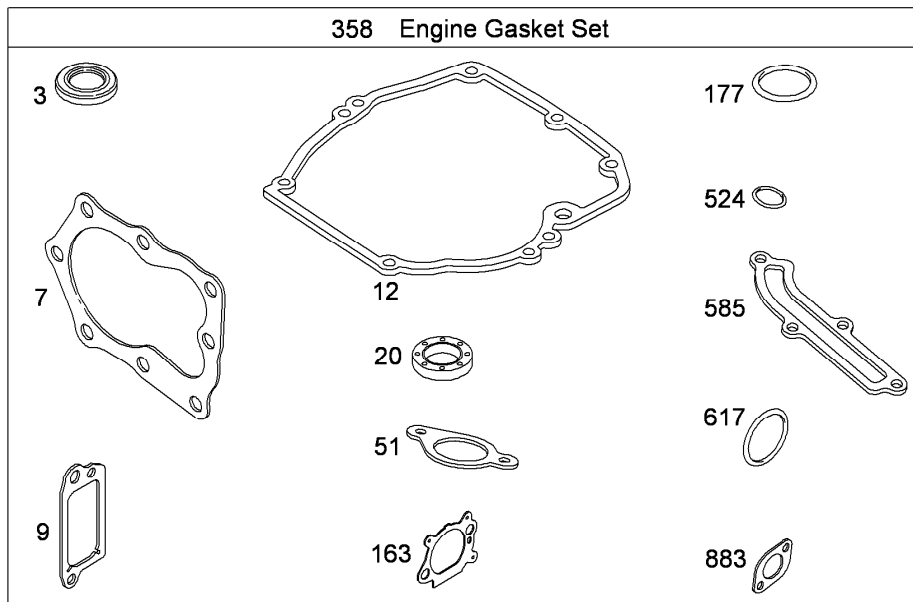


Assemblies include all parts shown in frames

Rewind Starter Assembly Briggs and Stratton 126T02-0256-B1

Ref.	Part Number	Qty.	Description
55	691421	1	Housing-Starter, Rewind ●
58	697316	1	Rope-Starter (Cut To Required Length) ●
60	281434s	1	Grip-Rope, Starter ●
65	690837	1	Screw (Rewind Starter) ●
456	692299	1	Plate-Friction, Pawl ●
459	281505s	1	Ratchet-Pawl ●
592	690800	1	Nut (Rewind Starter) ●
597	691696	1	Screw (Pawl Friction Plate) ●
608	497680	1	Starter-Rewind ●
689	691855	1	Spring-Friction ●
1210	498144	1	Pulley And Spring ASM (Pulley) ●
1211	498144	1	Pulley And Spring ASM (Spring) ●

● Obtain parts from www.briggsandstratton.com



Assemblies include all parts shown in frames

Engine and Valve Gaskets and Carburetor Overhaul Kit Briggs and Stratton 126T02-0256-B1

Ref.	Part Number	Qty.	Description
3	299819s	1	Seal-Oil (Magneto Side) ●■
7	692249	1	Gasket-Head, Cylinder ●■▲
9	699472	1	Gasket-Breather ●■▲
12	692232	1	Gasket-Crankcase ●■
20	399781s	1	Seal-Oil (PTO Side) ●■
51	794306	1	Gasket-Intake ●■
104	691242	1	Pin-Hinge, Float ●◆
121	498260	1	Carburetor Overhaul Kit ●
127	694468	1	Plug-Welch ●◆
134	398188	1	Needle And Seat Kit ●◆
137	796610	1	Gasket-Bowl, Float (Used After Date Code 08120100) ●◆
137	693981	1	Gasket-Bowl, Float (Used Before Date Code 08120200) ●◆

Ref.	Part Number	Qty.	Description
163	795629	1	Gasket-Cleaner, Air ●◆■
177	691031	1	Seal-O Ring (Dipstick) ●■
276	271716	1	Washer-Sealing ●◆
358	497316	1	Engine Gasket Set ●
524	692296	1	Seal-O Ring (Dipstick Tube) ●■
585	691879	1	Gasket-Passage, Breather ●■
617	270344s	1	Seal-O Ring (Intake Manifold) ●◆■
633	691321	1	Seal-Shaft, Choke Throttle ●◆
883	691881	1	Gasket-Exhaust ●■▲
1095	498528	1	Valve Gasket Set ●

● Obtain parts from www.briggsandstratton.com
▲ Included in Valve Gasket Set (Ref. No. 1095)

■ Included in Engine Gasket Set (Ref. No. 358)
◆ Included in Carburetor Overhaul Kit (Ref. No. 121)

Attachments and Accessories

For 20333 22in Recycler Lawn Mower

Product Name	Model/Part
Traction Assist Handle Kit.....	108-8120
Loose Parts Kit	117-4132
Replacement Bag	59310
Replacement Bag Kit.....	59312
22 Inch Blade Kit.....	59534

Notes:

Notes:



Count on it.