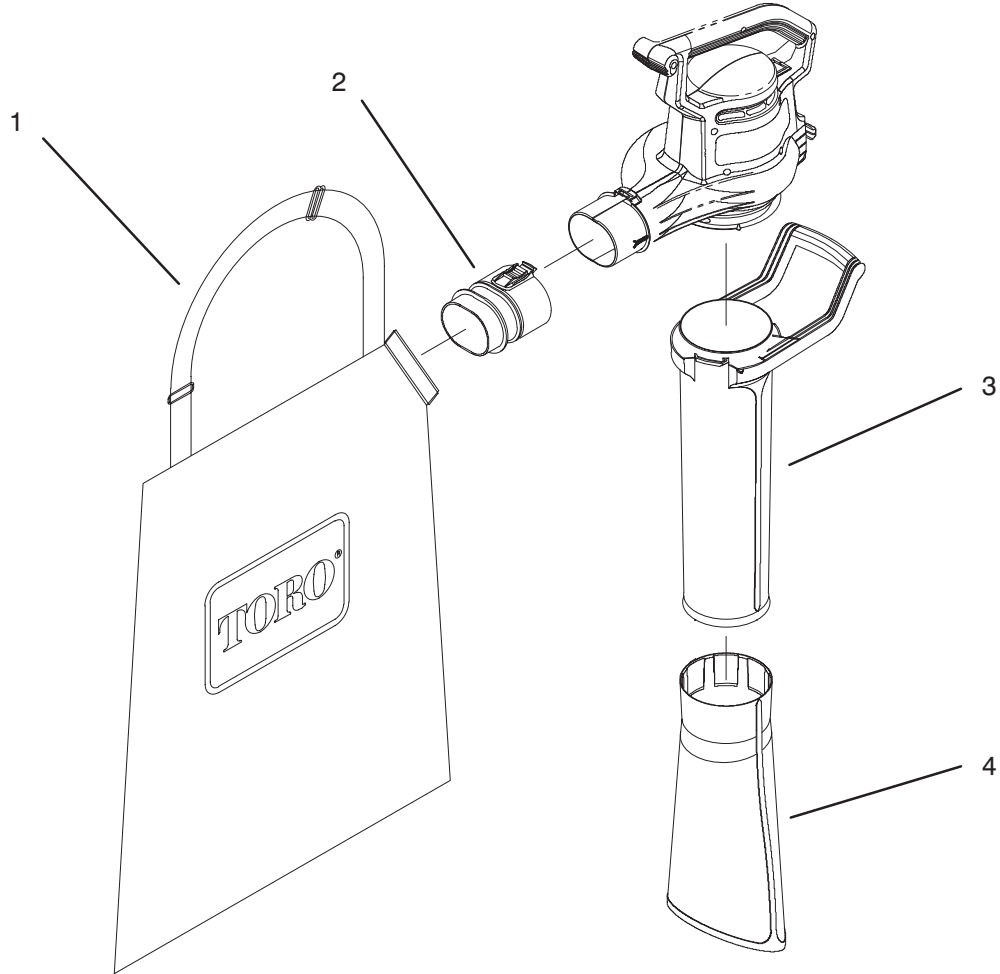




MODEL NO. 51541-590001 & UP	PARTS CATALOG
VACUUM BAG KIT	



C-2171

FIRST PAGE

Ref. No.	Part No.	Description	No. Used
1	93-0583	Bag	1
2	93-0574	Tube - Bag Inlet	1

Ref. No.	Part No.	Description	No. Used
3	93-0572	Tube - Vac Upper	1
4	93-0573	Tube - Vac Lower	1

PRODUCT CHANGES

In an effort to make improvements available to TORO owners as quickly as possible, minor changes are incorporated into Toro's products from time to time that do not become immediately shown in the Parts Catalog. If such a change has been made in your unit, which is not reflected in your manual, see your TORO Distributor or his Authorized TORO Service Dealer for information and part numbers.

COUNTRIES OTHER THAN THE UNITED STATES OR CANADA

Customers who have purchased TORO products exported from the United States or Canada should contact their Toro Distributor (Dealer) to obtain guarantee policies for your country, province or state. If for any reason you are dissatisfied with your Distributor's

service or have difficulty obtaining guarantee information, contact the TORO importer. If all other remedies fail, you may contact us at The Toro Company.

MAINTENANCE RECORD

Date									

Compliance with Radio Interference Regulations Certified.
Certifie Conforme au Reglement sur le Brouillage Radioelectrique.