



Count on it.

Parts Catalog

Reelmaster® 4000-D

4-Wheel Drive Traction Unit

Model No. 03707—Serial No. 31000001 and Up

Ordering Replacement Parts

To order replacement parts, please supply the part number, the quantity, and the description of each part desired.

Understanding Reference Numbers

Each identified part in an illustration has a reference number. The reference number for a part also appears in the parts list, along with other information about the part.

This catalog uses two special reference number formats, one to indicate parts in a service assembly and another to indicate the quantity of a given part in an illustration.

Service Assembly Reference Numbers

Parts in service assemblies have reference numbers in the form a:b. The a represents the reference number of the entire service assembly and the b represents a sequential number unique to each part within the service assembly.

For example, a wheel assembly might be identified by reference number 6, the tire by 6:1, the valve by 6:2, and the wheel by 6:3. When you order the assembly identified by reference number 6, you receive all parts identified by reference numbers 6:1, 6:2, and 6:3. However, you may also order any part individually. Reference numbers of this type appear in illustration and in parts lists.

Reference Numbers Indicating Quantity

In an illustration, if a reference number indicates more than one part, the reference number has the form nX y. The n represents the quantity of the part, the X is the multiplication symbol, and the y represents the reference number.

For example, in an illustration, the reference number 2X 37 means that two of the parts identified by reference number 37 are indicated.

List of Abbreviations

AR: as required	HSBH: hex socket button head	SFH: slotted fillister head
ASM: assembly	HSFH: hex socket flat head	SHH: slotted hex head
BBC: blade brake clutch	HSH: hex socket head	SHWH: slotted hex washer head
CARR: carriage	HWH: hex washer head	SPH: slotted pan head
CCW: counter clock wise	HWTF: hex washer head thread forming	SQH: square head
CW: clockwise	HYD: hydraulic	SRH: slotted round head
DEG: degrees	LH: left hand	STD: standard
ECM: electronic control module	NI: nylon insert	TAP: self tapping
EXT: external	NPTF: national pipe thread fine	TTH: torx truss head
FH: flat head	PFH: phillips flat head	
GA: gauge	PPH: phillips pan head	
HD: heavy-duty	PPHTF: phillips pan head thread forming	
HF: hex flange	PRH: phillips round head	
HH: hex head	PTH: phillips truss head	
HHF: hex head flange	PTO: power-take-off	
HHFTF: hex head flange thread forming	RH: right hand	
HJ: hex jam	ROPS: roll-over protection system	
HLH: hex lag head	RRB: rear roller brush	
HOC: height-of-cut		

Contents

Foot Rest and Traction Pedal Assembly	5
Floor Plate Assembly	7
Steering Tower Assembly	8
Steering Control Assembly No. 92-9220	9
Steering Tower Electrical Assembly	10
Fender and Center Console Assembly	11
Instrument Panel Assembly	12
Parking Brake, Throttle and Oil Filter Assembly	13
Valve Control Assembly	15
Valve Motor Spool Assembly No. 63-4800	17
Control Valve Assembly No. 93-1432	18
Priority Flow Control Valve Assembly No. 58-5490	19
Seat Platform and Filler Cap Assembly	20
Deluxe Seat Assembly No. 110-0838	21
Hood Assembly	22
Radiator, Oil Cooler and Air Cleaner Assembly	24
Air Filter Assembly No. 100-2597	26
Fuel Filter Assembly No. 104-5218	27
Fuel Tank and Lower Body Assembly	28
Frame and Muffler Assembly	29
Front Carrier Assembly	30
Front Reel Shut-Off Assembly	31
Reel Shut-Off Valve Assembly No. 58-5460	32
Front Lift Arm and A-Frame Assembly	33
Reel Motor Assembly No. 117-8965	34
Hydraulic Cylinder Assembly No. 115-8011	35
Rear Lift Arm and Shut-Off Assembly	36
Front Wheel and Motor Assembly	38
Piston Motor Assembly No. 58-5430	39
Drive Gear Assembly No. 108-1434-03	40
Rear Axle Assembly	41
Tie Rod Assembly No. 110-9719-03	43
Hydraulic Motor Assembly No. 104-5233	44
Hydraulic Cylinder Assembly No. 115-8014	45
Engine Installation Assembly	46
Engine Assembly	47
Hydraulic Pump Assembly	48
Gear Pump Assembly No. 99-6495	49
Variable Piston Pump Assembly No. 99-6494	50
Pump Assembly No. 86-6000-01	51
Hydraulic Circuit - Steering and Traction Assembly	52
Hydraulic Circuit - Lift Arm Assembly	53
Electrical System and Relay Assembly	54
Hydraulic Circuit - Cutting Unit	56
4 Wheel Drive Hydraulic Plumbing Assembly	57
Hydraulic Manifold Assembly No. 92-2982	58
Roll-Over Protection System Assembly	59
Crankcase Assembly	60
Oil Pan and Dipstick Assembly	61
Cylinder Head Assembly	62
Gear Case Assembly	63
Cylinder Head Cover Assembly	64
Main Bearing Assembly	65
Cam Shaft and Idle Gear Assembly	66

Piston and Crankshaft Assembly 67

Flywheel Assembly 68

Fuel Camshaft and Governor Shaft Assembly..... 69

Engine Stop Lever Assembly 70

Injection Pump Assembly 71

Governor Assembly 72

Speed Control Plate Assembly..... 73

Nozzle Holder and Glow Plug Assembly 74

Alternator and Pulley Assembly 75

Alternator Components 76

Starter Assembly 77

Starter (Component Part) Assembly No. 98-7734 78

Oil Switch and Plug Assembly 79

Water Flange and Thermostat Assembly 80

Water Pump Assembly 81

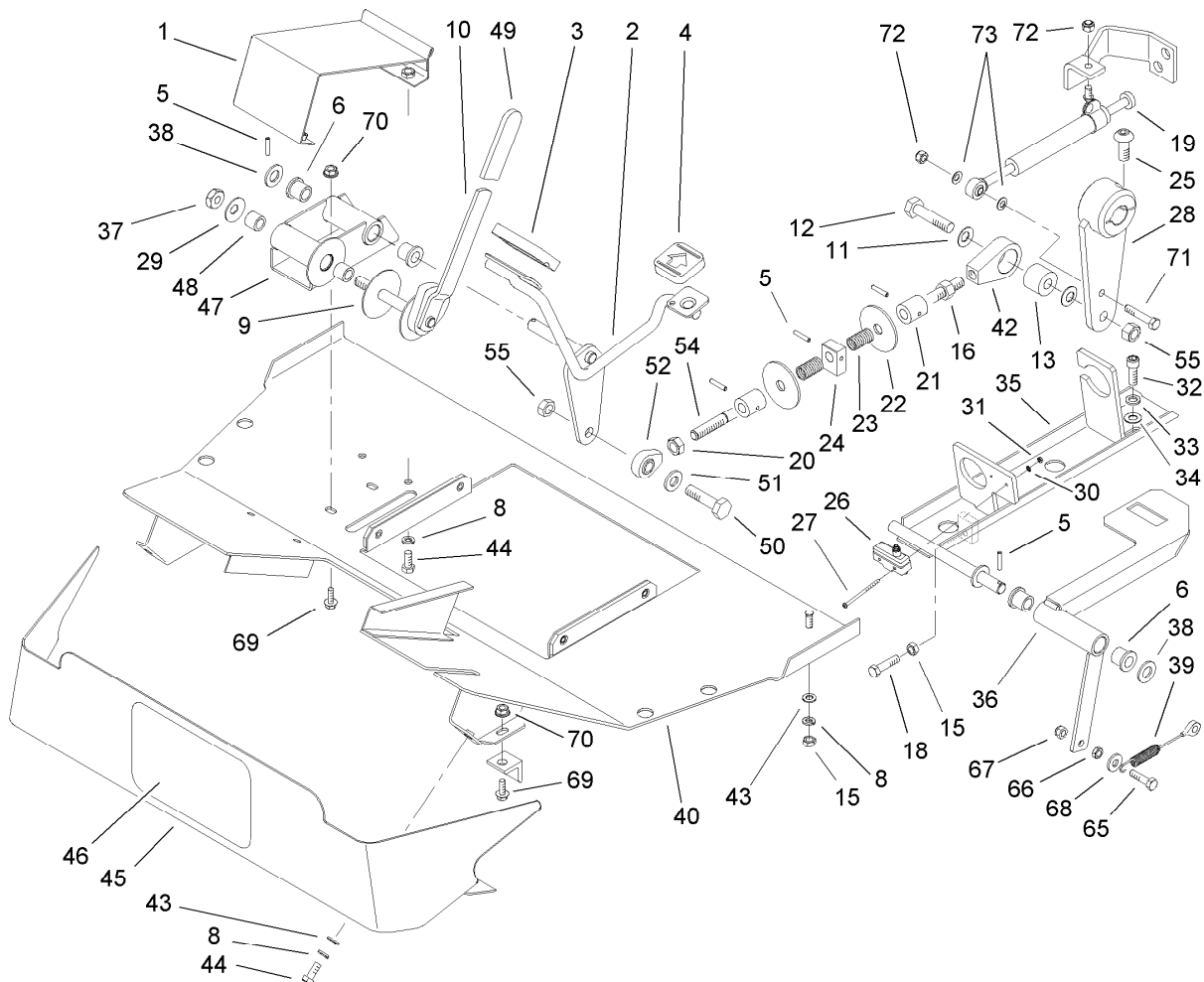
Valve and Rocker Assembly 82

Intake Manifold Assembly..... 83

Exhaust Manifold Assembly 84

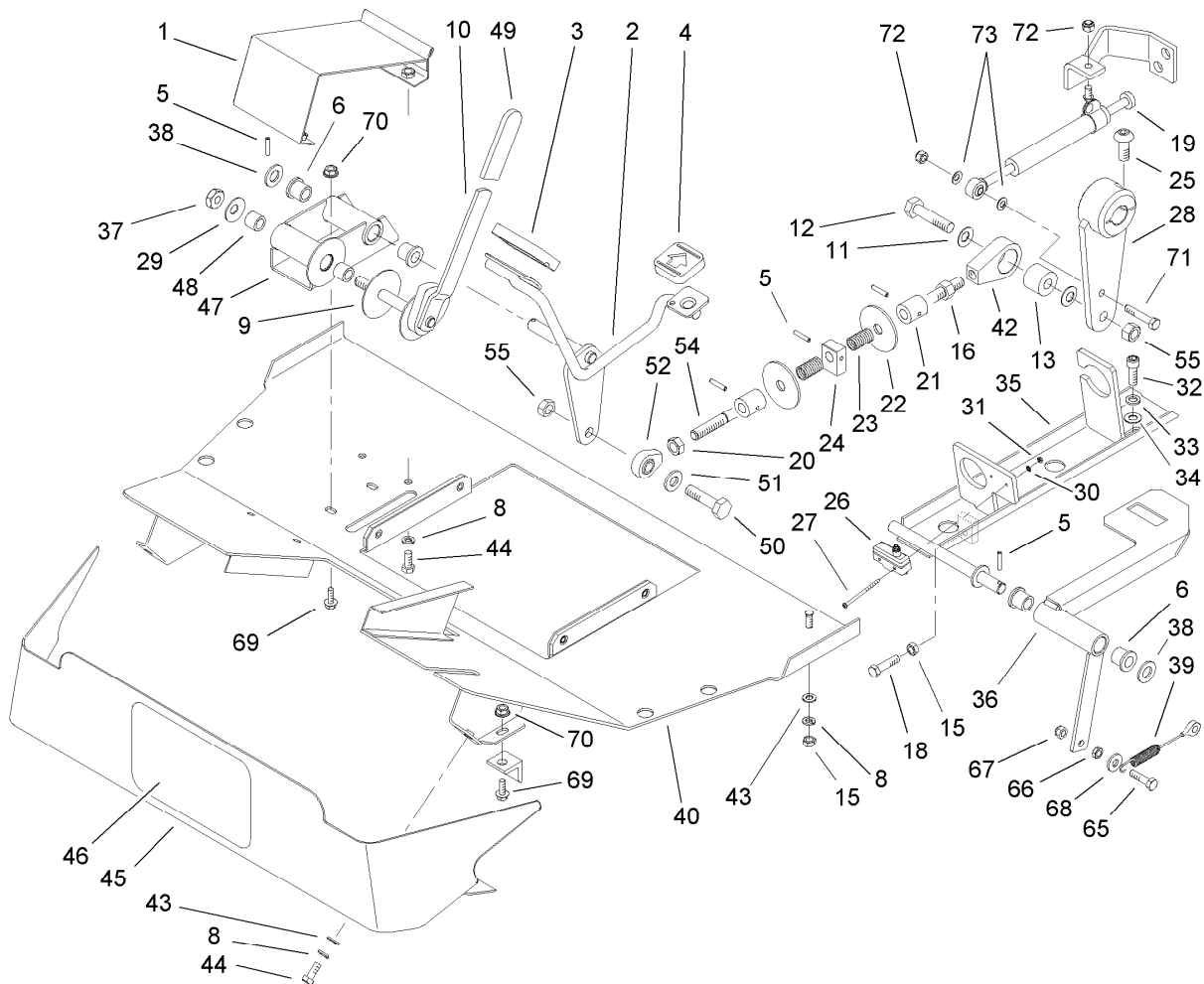
Upper and Lower Gasket Kit..... 85

Attachments and Accessories 86



Foot Rest and Traction Pedal Assembly

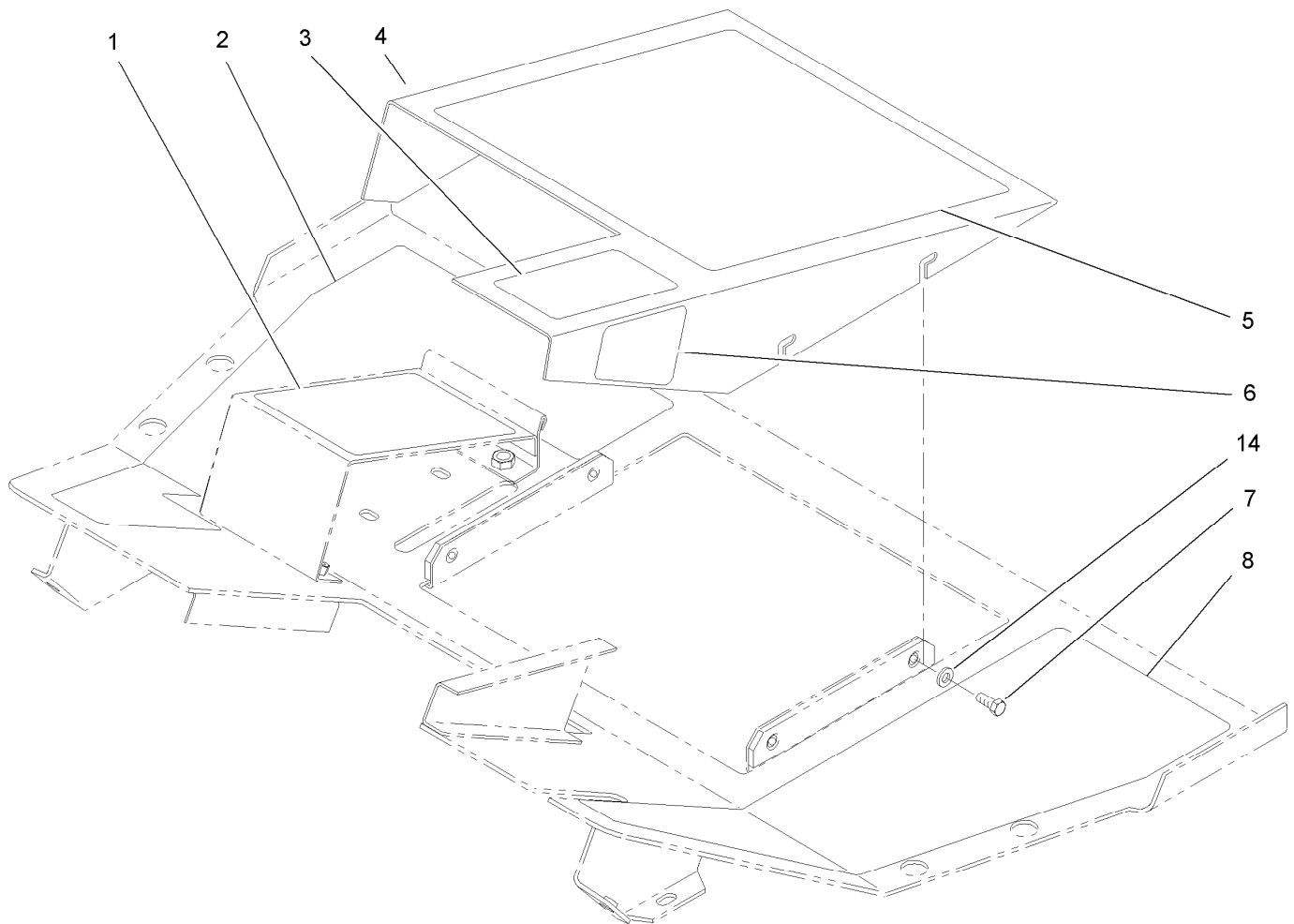
Ref.	Part Number	Qty.	Description	Ref.	Part Number	Qty.	Description
1	58-9580-03	1	Rest-Foot	32	3274-7	2	Screw-HSH
2	60-0640-01	1	Pedal-Traction	33	3253-5	2	Washer-Lock
3	74-9100	1	Pad-Pedal, Forward	34	3256-24	2	Washer-Flat
4	74-9110	1	Pad-Pedal, Reverse	35	112-6500-01	1	Bracket-Lock, Neutral
5	60-2110	5	Pin	36	92-9228-03	1	Lever
6	48-6790	4	Bearing	37	3296-19	1	Nut-Hex
8	42-9850	10	Washer-Lock, Spring	38	60-6740	3	Washer
9	3-2858	1	Disc-Friction	39	92-9221	1	Cable ASM
10	60-1130	1	Lever	40	92-4730-03	1	Plate-Floor
11	3290-483	3	Washer-Conical	42	60-0760	1	Clevis-Rod, Traction
12	325-9	1	Screw-HH	43	33094-00	6	Washer-Plain
13	47-7030	1	Bushing-Rubber	44	33114-020	7	Screw-HH
15	33014-00	5	Nut-Hex	45	58-0400-01	1	Shroud
16	3217-9	1	Nut-HH	46	62-7400	1	Decal
18	48-7740	2	Screw	47	60-0600-03	1	Bracket-Pivot
19	48-7100	1	Damper-Steering	48	60-1110	2	Bushing
20	3219-5	1	Nut-Hex	49	3-7877	1	Grip-Handle
21	58-4310	2	Collar-Pinned	50	325-7	1	Screw-HH
22	58-5100	2	Washer-Traction	51	3256-26	1	Washer-Flat
23	60-5700	2	Spring	52	2411-44	1	End-Rod
24	58-9010	1	Tab-Clamp	54	76-3430	1	Rod-Traction
25	3274-89	1	Screw-HSH	55	3296-25	2	Nut-Lock, NI
26	29-6163	1	Switch-Micro	65	322-6	1	Screw-HH
27	3249-11	2	Screw-Machine	66	3218-2	1	Nut-Jam
28	98-1209-03	1	Lever-Pump	67	3296-29	1	Nut-Lock, NI
29	60-6990	1	Washer	68	3256-3	1	Washer-Flat
30	3255-24	2	Washer-Lock / EXT	69	3234-5	4	Screw-HHF
31	3217-29	2	Nut-Hex	70	32128-20	4	Nut-HF



Foot Rest and Traction Pedal Assembly (continued)

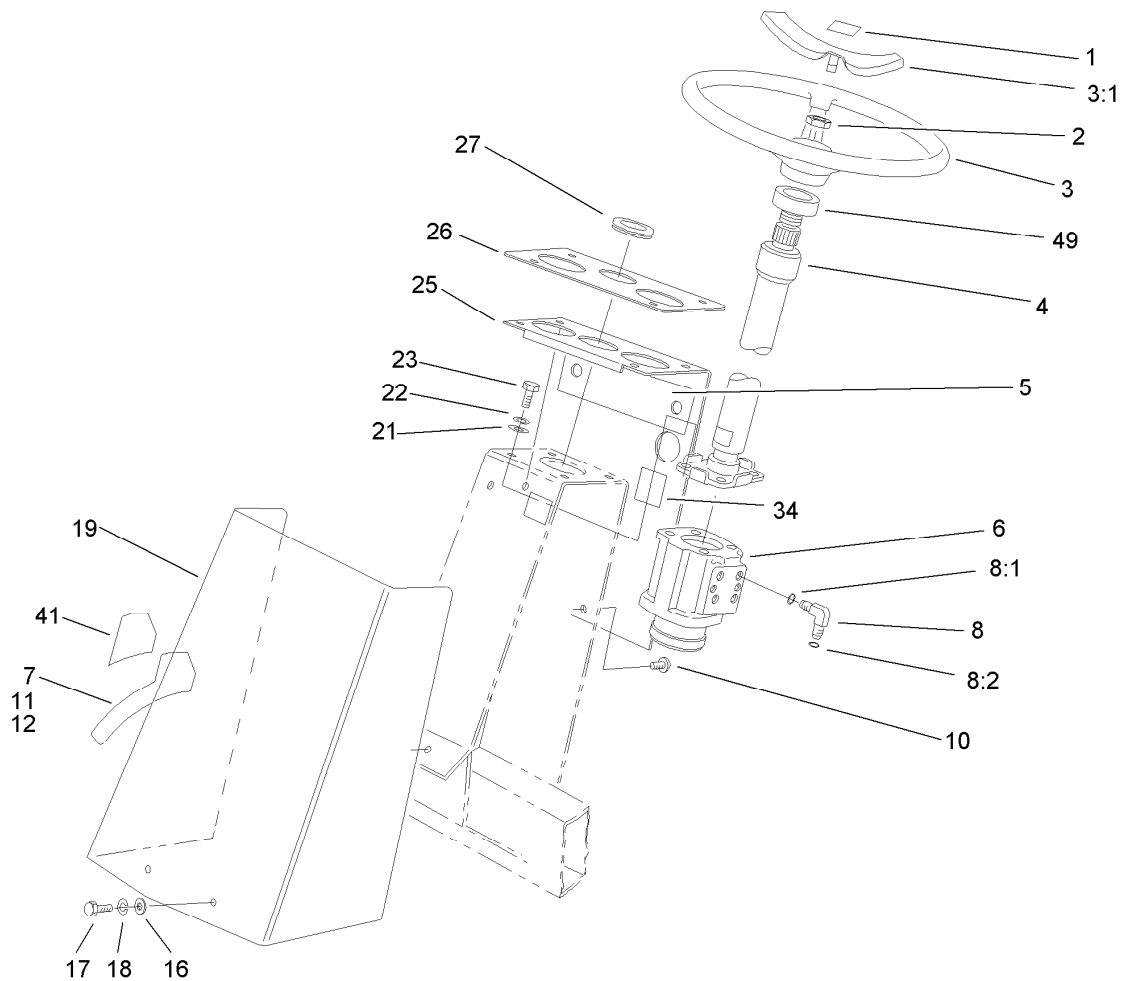
<i>Ref.</i>	<i>Part Number</i>	<i>Qty.</i>	<i>Description</i>
71	33114-045	1	Screw-HH

<i>Ref.</i>	<i>Part Number</i>	<i>Qty.</i>	<i>Description</i>
72	33024-00	2	Nut-Lock
73	3290-482	2	Washer-Belleville



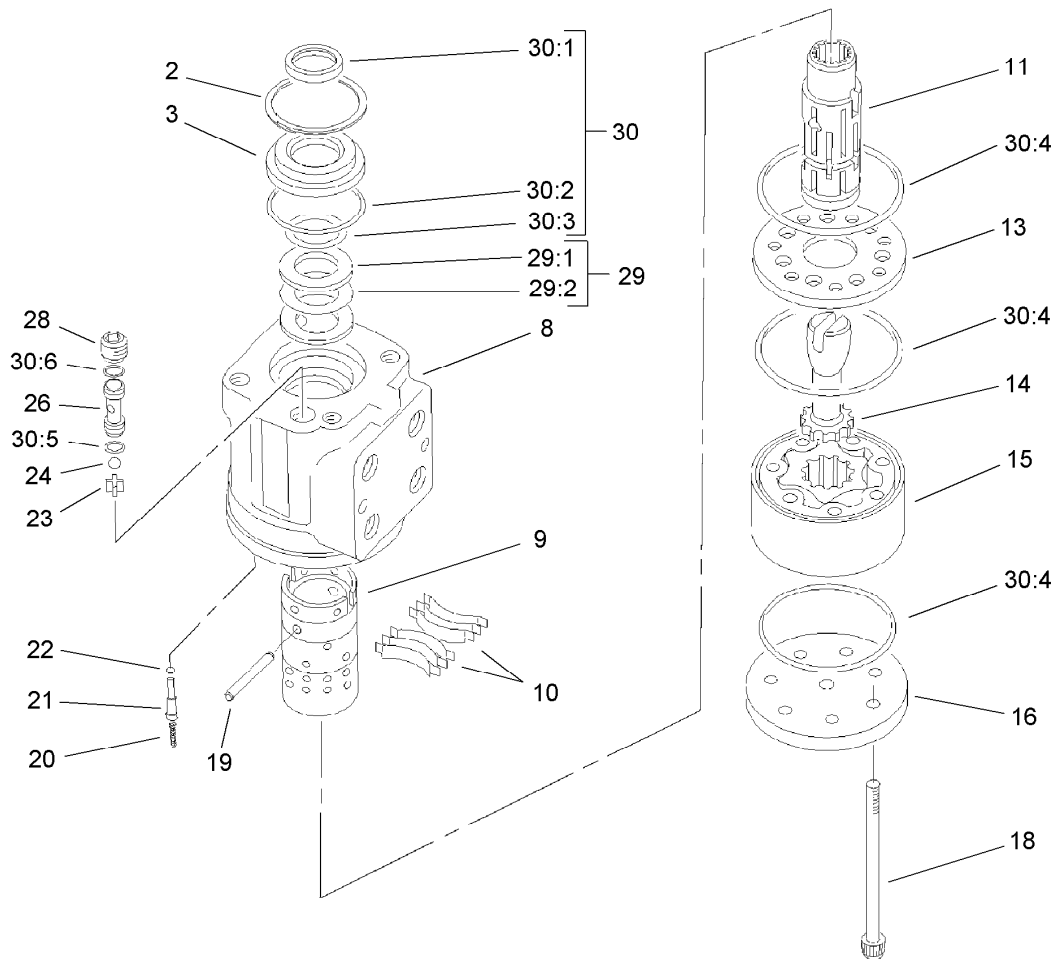
Floor Plate Assembly

<i>Ref.</i>	<i>Part Number</i>	<i>Qty.</i>	<i>Description</i>
1	59-7280	1	Pad-Pedal, Traction
2	58-6510	1	Pad-Footrest, RH
3	62-6440	1	Pad-Foot
4	58-7390-03	1	Footrest
5	58-6630	1	Pad-Floor, Center
6	93-9409	1	Decal-Latch
7	33113-016	3	Screw-HH
8	58-6620	1	Pad-Footrest, LH
14	3256-16	3	Washer-Flat



Steering Tower Assembly

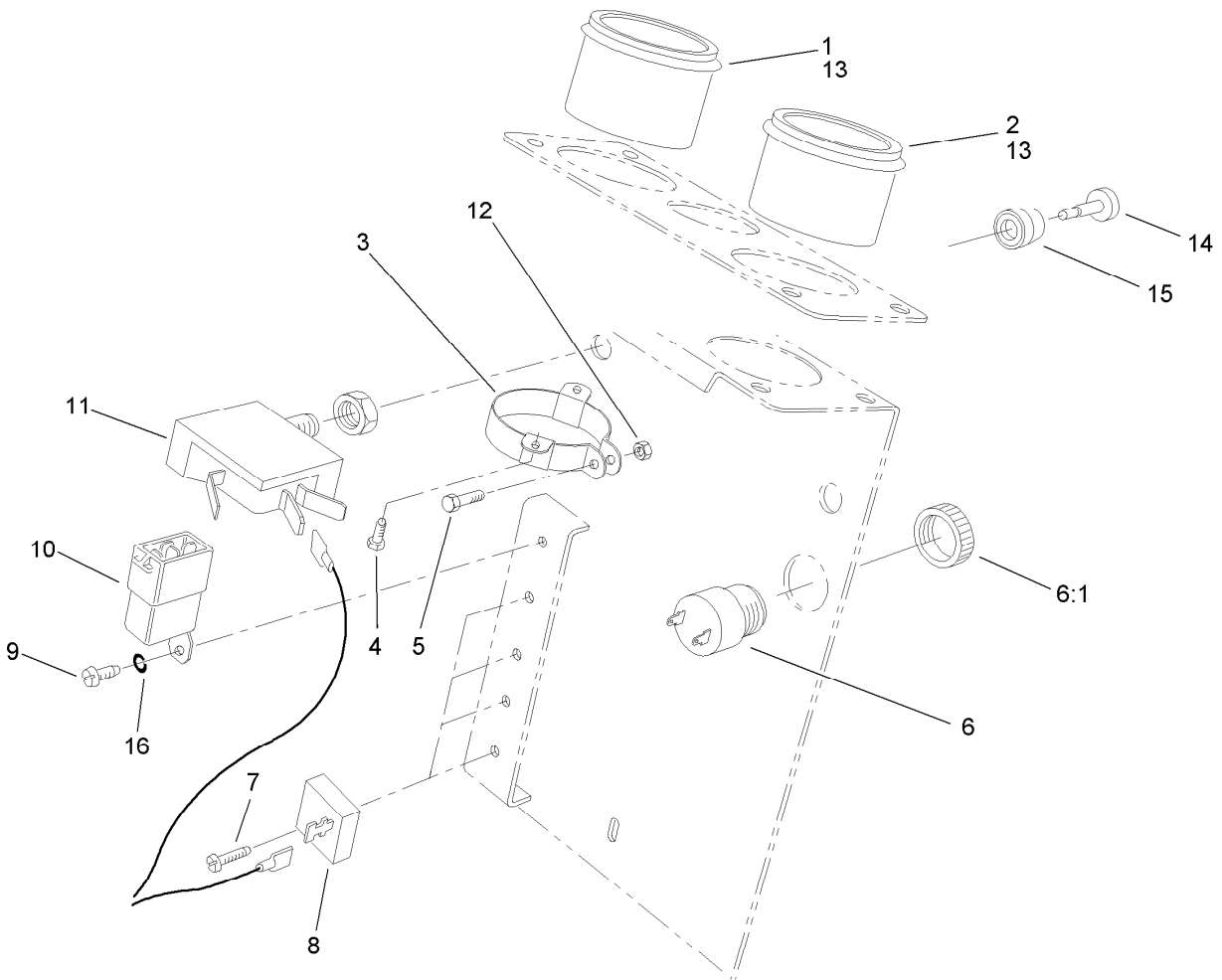
<i>Ref.</i>	<i>Part Number</i>	<i>Qty.</i>	<i>Description</i>	<i>Ref.</i>	<i>Part Number</i>	<i>Qty.</i>	<i>Description</i>
1	98-1459	1	Decal	16	33093-00	2	Washer-Flat
2	107-2562	1	Nut-Hex	17	33113-012	2	Screw-HH
3	98-1471	1	Wheel-Steering	18	43-5930	2	Washer-Lock, Spring
3:1	98-1468	1	Cover-Wheel, Steering	19	58-0500-01	1	Cover-Valve, Steering
4	98-3808	1	Column-Steering	21	3256-24	4	Washer-Flat
5	93-9399	1	Decal-Noise	22	3253-5	4	Washer-Lock
6	92-9220	1	Steering Control ASM	23	323-8	4	Screw-HH
7	93-9397	1	Decal-Speed, Ground	25	82-9310-03	1	Panel-Display
8	340-18	4	Fitting-HYD, 90 DEG	26	107-1817	1	Decal-Panel, Display
8:1	237-79	1	O-Ring	27	60-0790	1	Grommet
8:2	237-22	1	O-Ring	34	105-4674	1	Decal-Noise
10	60-3260	1	Screw-PPH	41	93-9427	1	Decal-Clip, 5 Blade
11	63-4330	1	Decal-Overlay, 5 Blade	49	21-9260	1	Cover-Dust
12	63-4340	1	Decal-Overlay, 11 Blade				



Steering Control Assembly No. 92-9220

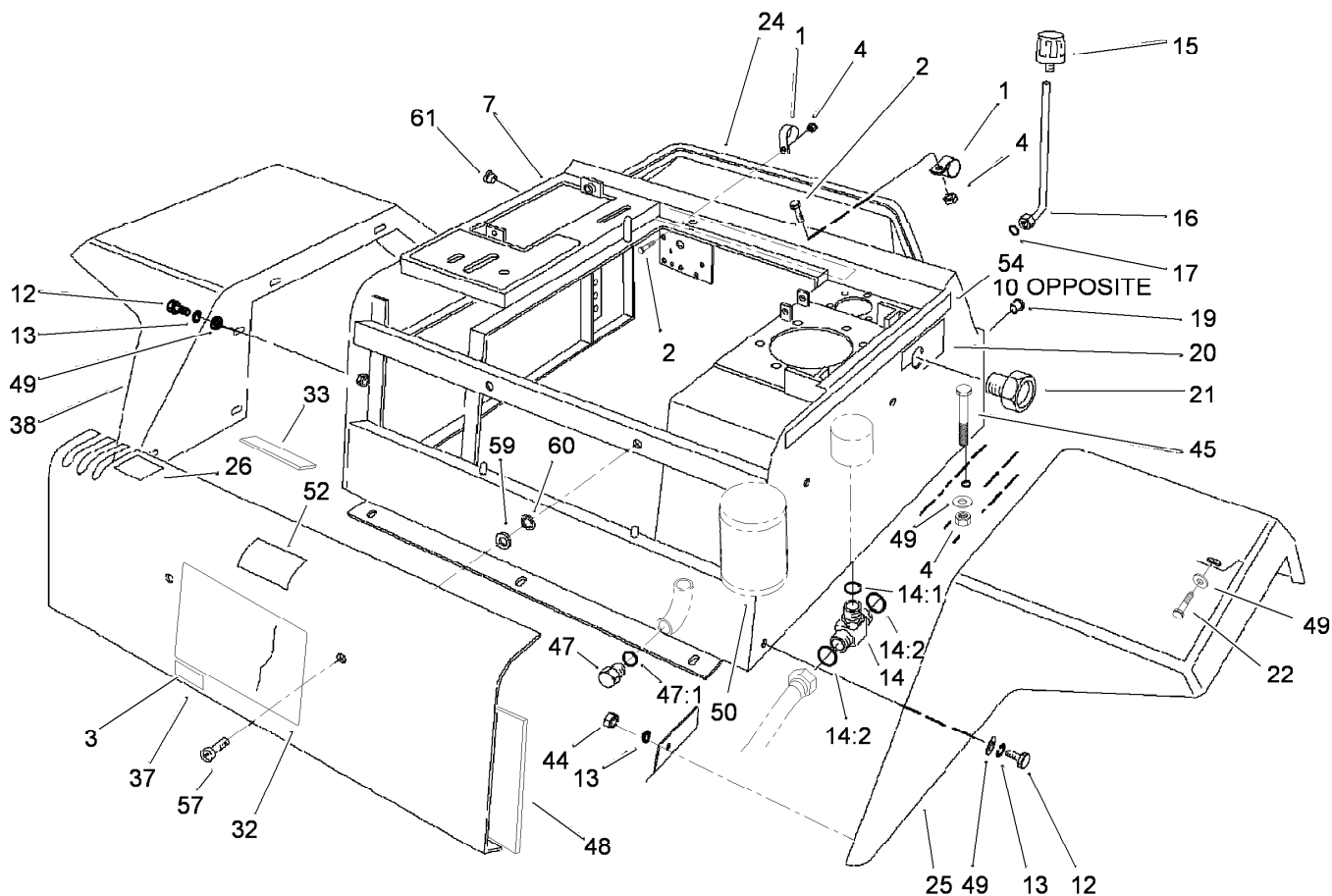
<i>Ref.</i>	<i>Part Number</i>	<i>Qty.</i>	<i>Description</i>	<i>Ref.</i>	<i>Part Number</i>	<i>Qty.</i>	<i>Description</i>
2	52-9230	1	Ring-Retaining	23	52-9290	1	Retainer-Checkball
3	52-9240	1	Bushing	24	52-9280	1	Checkball
8		1	Housing ●	26	52-9270	1	Seat-Checkball
9		1	Sleeve-Control ●	28	52-9260	1	Screw-Set
10	59-6820	1	Centering Spring Kit	29	52-9250	1	Bearing Kit
11		1	Spool-Control ●	29:1	59-6730	2	Race
13	92-9732	1	Plate-Wear	29:2	59-6740	1	Bearing
14	59-6860	1	Drive	30	92-9749	1	Seal Kit
15	59-6870	1	Gerotor	30:1		1	Seal-Dust ●
16	92-9730	1	Cap-End	30:2		1	O-Ring ●
18	92-9733	7	Screw-Cap	30:3		1	O-Ring ●
19	59-6830	1	Centering Pin Kit	30:4		3	O-Ring ●
20	74-3090	2	Spring-Anti-Cav	30:5		1	O-Ring ●
21	92-9737	2	Plug-Retainer	30:6		1	O-Ring ●
22	74-3140	2	Ball-Check, Anti-Cav				

● Not serviced separately



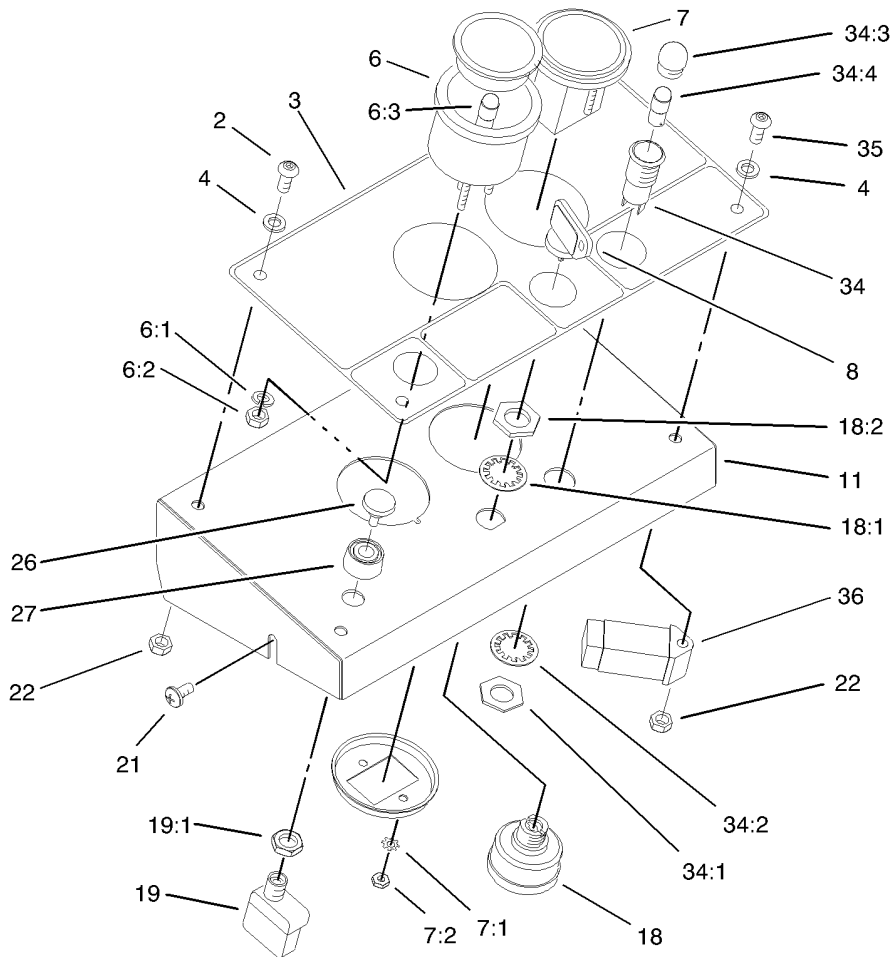
Steering Tower Electrical Assembly

Ref.	Part Number	Qty.	Description
1	93-1434	1	Gauge-Cluster, Warning
2	93-1435	1	Gauge-Cluster, Warning
3	69-4780	2	Clamp-Gauge
4	32144-19	4	Screw-SHWH
5	32105-12	2	Screw
6	80-9330	1	Alarm-Audio
6:1	104-5107	1	Nut-Plastic, Knurled
7	3251-4	4	Screw-SRH
8	37-7600	4	Rectifier-Bridge
9	3251-1	1	Screw-PPH
10	70-1480	1	Relay
11	43-6290	2	Switch
12	3296-2	2	Nut-Lock, NI
13	219-17	8	Bulb
14	43-6280	2	Button-Push
15	43-6420	2	Bezel
16	3253-2	1	Washer-Lock



Fender and Center Console Assembly

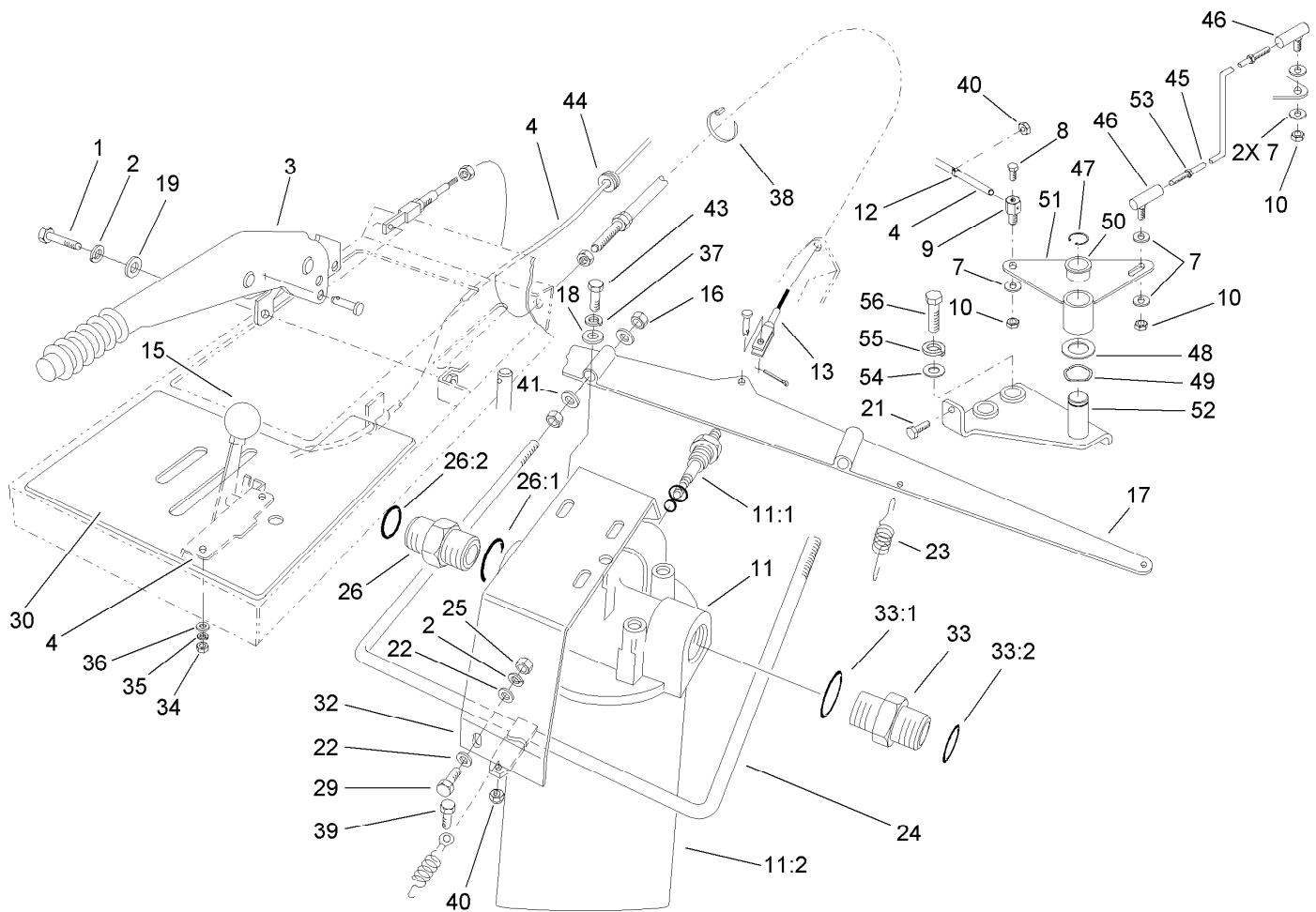
Ref.	Part Number	Qty.	Description	Ref.	Part Number	Qty.	Description
1	2412-106	2	Clamp-R	26	93-9407	1	Decal-Lever, Lift
2	321-5	2	Screw-HH	32	104-5203	1	Decal-Hillside (Ansi)
3	117-2718	1	Decal-Arrester, Spark	32	104-5204	1	Decal-Hillside (Ce)
4	3296-42	4	Nut-Lock, NI	33	68-7840	1	Strip-Sealing
7	92-9273-03	1	Console-Center	37	58-1750-03	1	Panel-Access
10	86-6490	1	Decal-4Wd, RH	38	92-4746-01	1	Mudguard-RH
12	33113-016	10	Screw-HH	44	48-7890	2	Nut-Hex
13	43-5930	10	Washer-Lock, Spring	45	321-24	2	Screw-HH
14	92-4799	1	Fitting-Tee, HYD	47	58-9160	1	Plug-Drain
14:1	237-79	1	O-Ring	47:1	237-80	1	O-Ring
14:2	237-22	2	O-Ring	48	68-7810	1	Panel-Lining
15	68-6150	1	Breather	49	3256-22	16	Washer-Flat
16	98-3844	1	Breather Tube ASM	50	48-7120	1	Element-Suction
17	237-65	1	O-Ring	52	93-9425	1	Decal-Danger
19	32148-6	4	Insert-Nut	54	92-5699	1	Decal-4Wd, LH
20	93-9406	1	Decal-Glass, Sight	57	3250-36	2	Screw-PPH
21	58-5940	1	Plug-Gage, Sight	59	3256-3	2	Washer-Flat
22	48-6900	4	Screw	60	32151-72	2	Ring-Retaining
24	92-5682	1	Strip-Sealing	61	92-6059	5	Plug-Button
25	58-0980-01	1	Mudguard-LH				



Instrument Panel Assembly

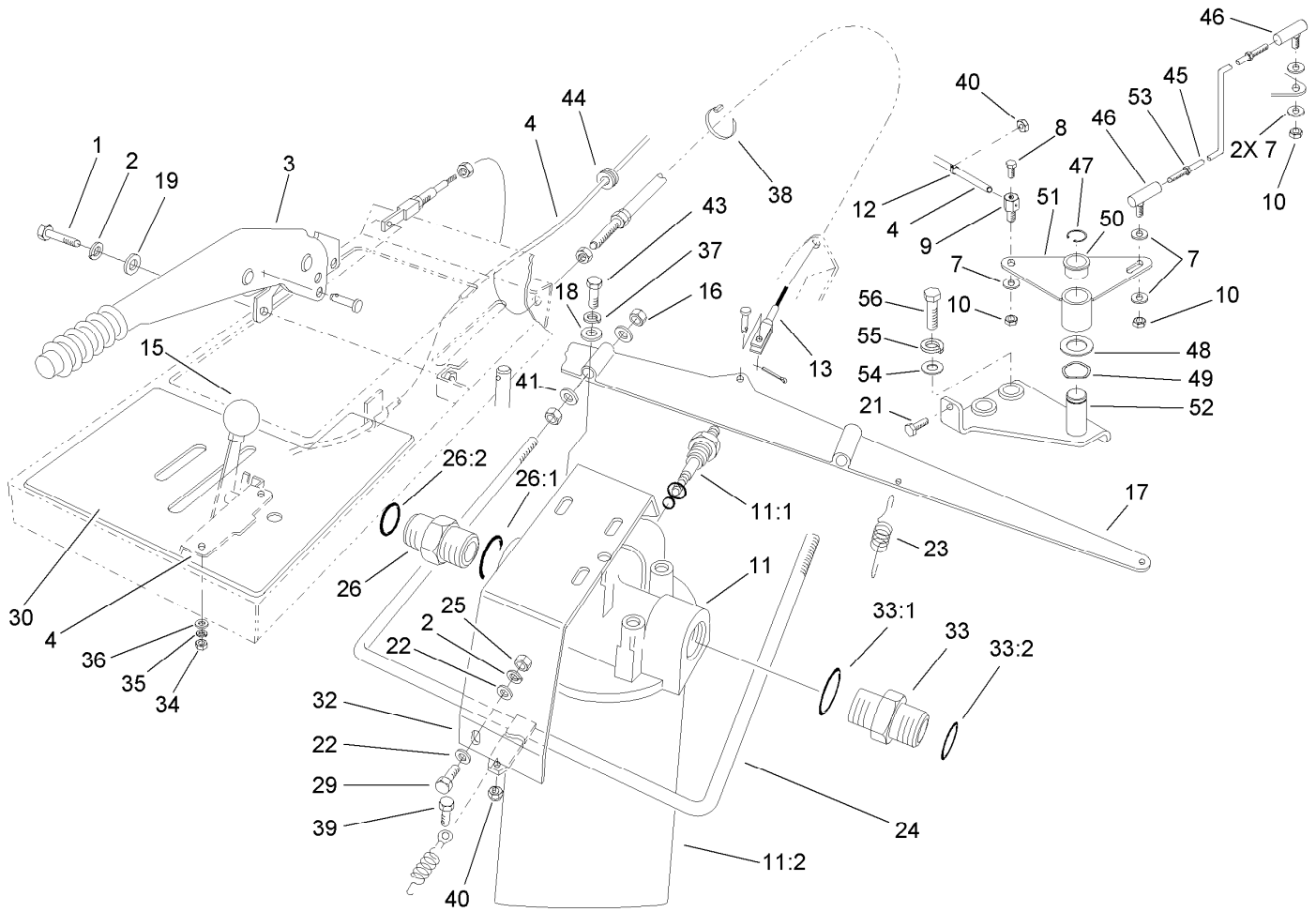
Ref.	Part Number	Qty.	Description	Ref.	Part Number	Qty.	Description
2	3274-31	3	Screw-HSBH	18:2	218-461	1	Nut-HH
3	107-1819	1	Decal-Plate, Face	19	72-9760	1	Switch
4	3256-60	4	Washer-Flat	19:1	218-498	1	Nut-Lock
6	98-9339	1	Gauge-Fuel	21	60-2170	2	Screw
6:1	3254-1	3	Washer-Lock, Int	22	3296-42	4	Nut-Lock, NI
6:2	3217-27	3	Nut-Hex	26	43-6280	1	Button-Push
6:3	105-9265	1	Bulb And Lamp ASM	27	43-6420	1	Bezel
7	66-2950	1	Gauge-Hourmeter	34	44-2210	1	Light-Indicator, Red
7:1	3255-20	2	Washer-Lock	34:1	218-535	1	Nut-Hex
7:2	3217-25	2	Nut-Hex	34:2	218-536	1	Washer-Lock
8	63-8360	1	Key-Ignition	34:3	218-533	1	Lens
11	98-3829-03	1	Panel-Instrument	34:4		1	Bulb ●
18	88-9830	1	Key Switch ASM	35	3274-65	1	Screw-HSBH
18:1	3254-5	1	Washer-Tooth	36	98-7611	1	Controller-Glow

● Not serviced separately



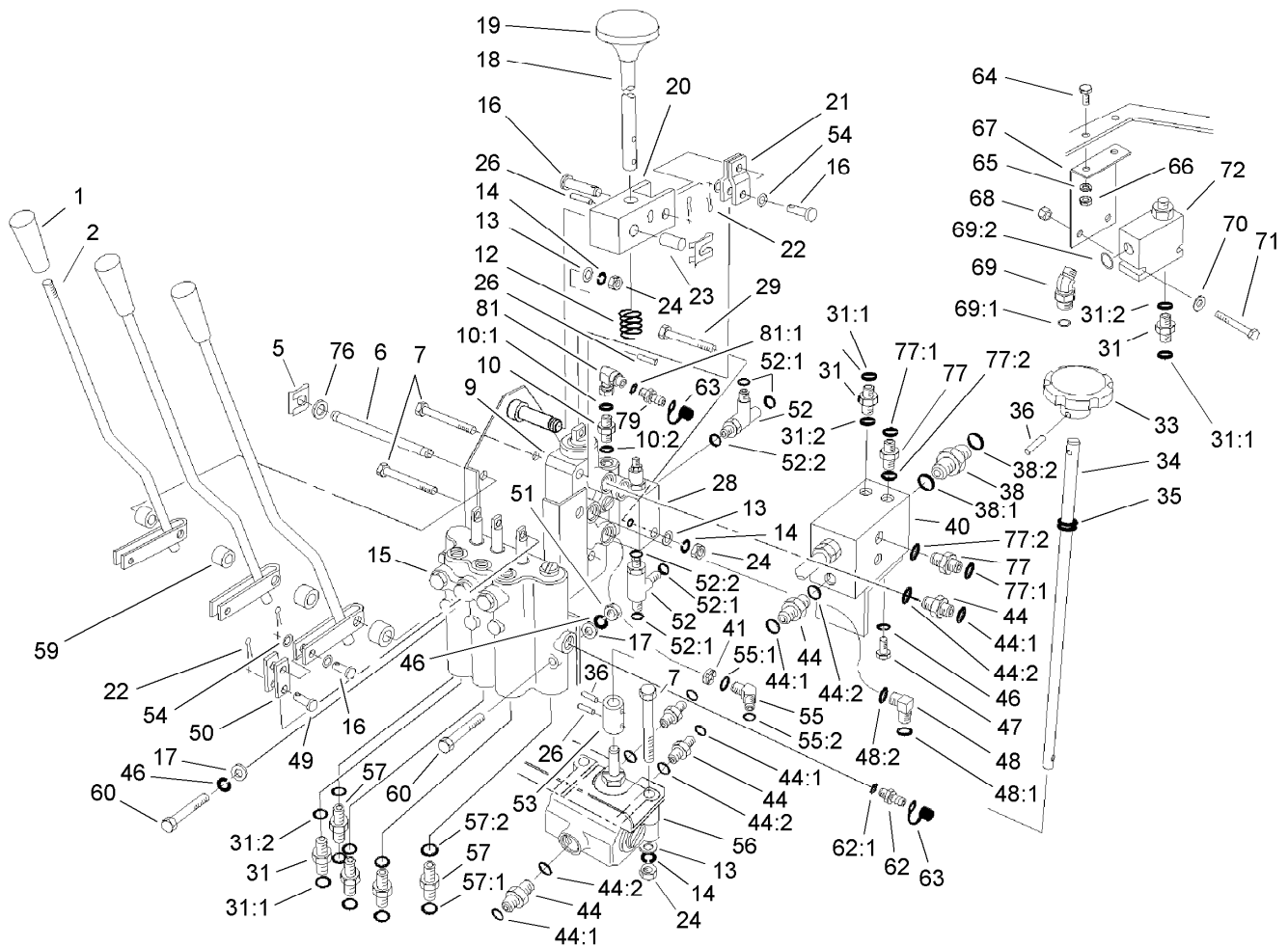
Parking Brake, Throttle and Oil Filter Assembly

Ref.	Part Number	Qty.	Description	Ref.	Part Number	Qty.	Description
1	33114-016	2	Screw-HH	29	322-6	2	Screw-HH
2	42-9850	4	Washer-Lock, Spring	30	107-1818	1	Decal-Panel, Side Control
3	53-6070	1	Lever-Brake	32	84-6470-03	1	Bracket-Filter
4	59-7240	1	Control-Throttle	33	340-10	1	Adapter
7	3256-22	5	Washer-Flat	33:1	237-123	1	O-Ring
8	25-8640	1	Screw-HH	33:2	340-64	1	O-Ring
9	93-0021	1	Swivel-Cable, Throttle	34	48-7880	2	Nut-Hex
10	3296-13	3	Nut-Lock NI	35	48-8000	2	Washer-Lock
11	86-6090	1	HYD Oil Filter ASM	36	52-6430	2	Washer
11:1	86-6100	1	Indicator-Electrical	37	3253-5	3	Washer-Lock
11:2	86-6110	1	Filter-Element	38	3290-378	1	Tie-Cable
12	2412-31	1	Clamp-Boden	39	11-9030	1	Screw-Shoulder
13	92-9222	1	Cable-Handbrake	40	3296-42	2	Nut-Lock, NI
15	233-25	1	Knob-Control	41	3256-23	4	Washer-Flat
16	3217-6	4	Nut-Hex	43	323-5	3	Screw-HH
17	58-2170-03	1	Bar-Linkage, Brake	44	60-2370	1	Grommet
18	3256-3	3	Washer-Flat	45	98-1261	1	Rod-Throttle
19	33094-00	2	Washer-Plain	46	98-3845	2	Joint-Ball, Rod End
21	321-4	1	Screw-HH	47	936125	1	Ring-Snap, External
22	3256-23	4	Washer-Flat	48	67-9410	1	Washer
23	60-2140	2	Spring	49	98-3846	1	Washer-Wave
24	92-9225	1	Yoke	50	256-252	2	Bearing-Flange
25	3217-6	2	Nut-Hex	51	98-1257-03	1	Lever-Throttle
26	340-80	1	Adapter	52	98-1256-03	1	Plate-Throttle
26:1	237-123	1	O-Ring	53	3220-1	2	Nut-Jam
26:2	340-65	1	O-Ring	54	3256-24	2	Washer-Flat



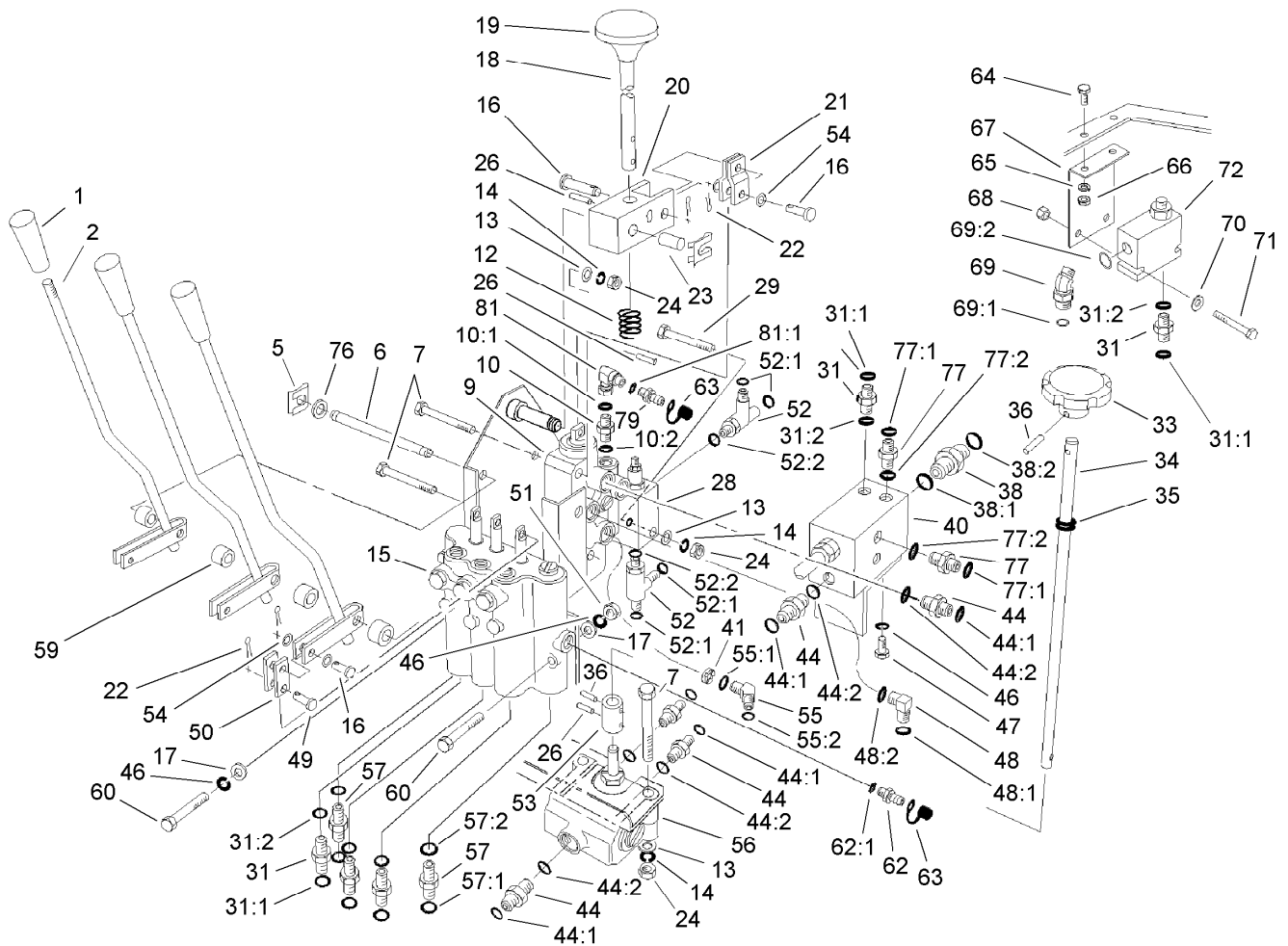
Parking Brake, Throttle and Oil Filter Assembly (continued)

<i>Ref.</i>	<i>Part Number</i>	<i>Qty.</i>	<i>Description</i>
55	48-9590	2	Washer-Lock
56	56-2140	2	Screw-HH



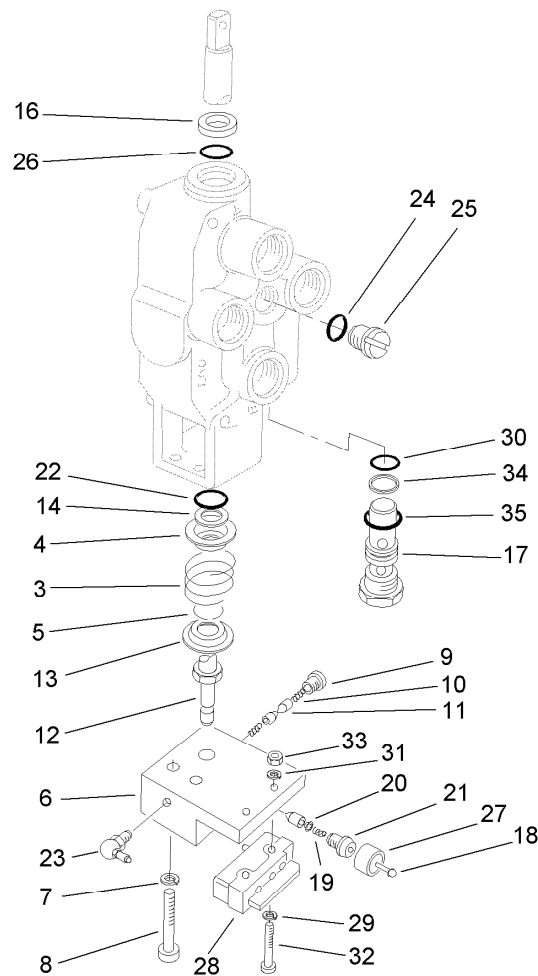
Valve Control Assembly

Ref.	Part Number	Qty.	Description	Ref.	Part Number	Qty.	Description
1	233-39	3	Knob-Control	33	59-7130	1	Knob-Control, Speed
2	74-3190	3	Lever-Lift	34	58-1510	1	Shaft
5	60-5690	3	Clip	35	59-7910	1	Grommet
6	58-1520	1	Pin	36	60-2110	2	Pin
7	322-12	4	Screw-HH	38	340-80	1	Adapter
9	63-4800	1	Motor-Spool, Valve	38:1	237-123	1	O-Ring
10	340-88	1	Adapter	38:2	340-65	1	O-Ring
10:1	237-22	1	O-Ring	40	58-2150	1	Block-Manifold
10:2	237-78	1	O-Ring	41	66-5410	1	Orifice
12	58-7190	1	Spring	44	340-7	6	Adapter
13	3256-23	5	Washer-Flat	44:1	237-65	1	O-Ring
14	3253-4	5	Washer-Lock	44:2	237-80	1	O-Ring
15	93-1432	1	3 Spool Valve ASM	46	43-5930	4	Washer-Lock, Spring
16	58-3830	5	Pin-Clevis	47	33113-016	2	Screw-HH
17	33093-00	2	Washer-Flat	48	340-17	2	Fitting-HYD, 90 DEG
18	58-4450	1	Lever	48:1	237-65	1	O-Ring
19	233-10	1	Knob-Lever	48:2	237-80	1	O-Ring
20	58-4460	1	Clevis	49	58-3810	3	Pin-Clevis
21	58-1570	2	Link	50	58-1560	6	Link
22	3272-1	8	Pin-Cotter	51	48-7890	1	Nut-Hex
23	60-0550	1	Bushing	52	340-86	2	Fitting-Tee
24	3217-6	5	Nut-Hex	52:1	237-22	2	O-Ring
26	32121-118	3	Pin-Roll	52:2	237-42	1	O-Ring
28	58-5520	1	Valve-Relief, Adjustable	53	93-7768	1	Coupling
29	322-9	1	Screw-HH	54	52-6430	8	Washer
31	340-2	5	Fitting-HYD, Straight	55	66-5860	1	Fitting-Elbow, 45 DEG
31:1	237-22	1	O-Ring	55:1	237-80	1	O-Ring
31:2	237-42	1	O-Ring				



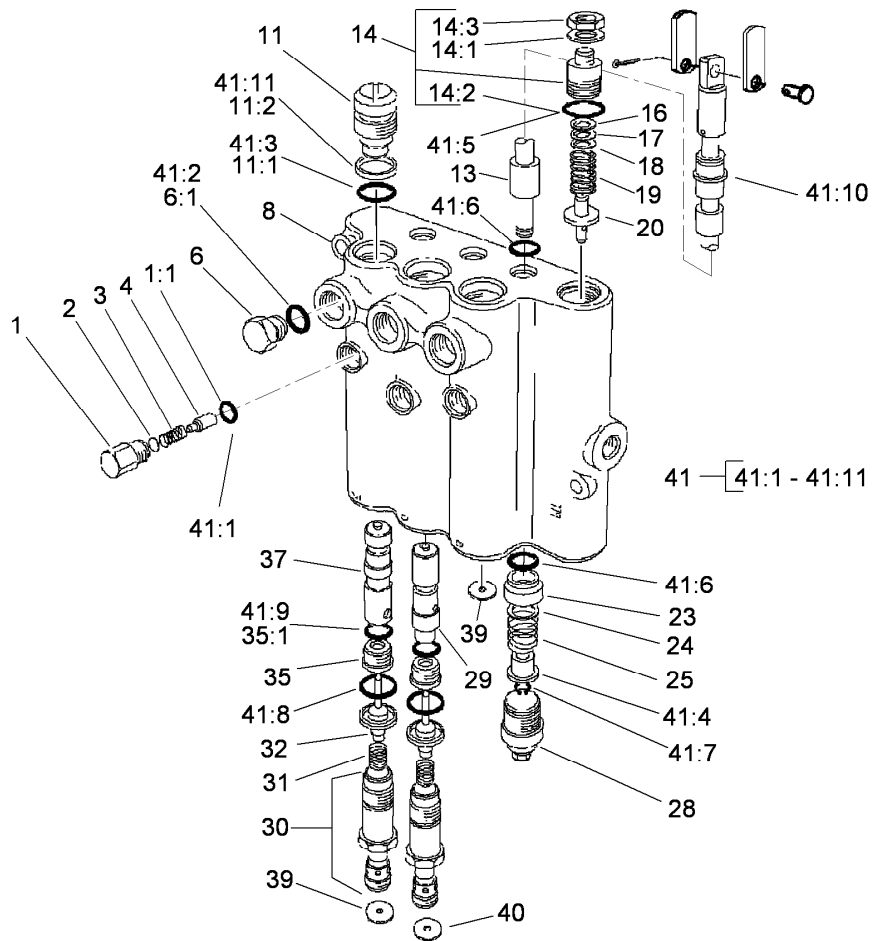
Valve Control Assembly (continued)

Ref.	Part Number	Qty.	Description	Ref.	Part Number	Qty.	Description
55:2	237-65	1	O-Ring	68	3296-8	2	Nut-Lock
56	58-5490	1	Valve-Control, Flow	69	340-87	1	Fitting-HYD, 45 DEG
57	340-3	2	Adapter	69:1	237-22	1	O-Ring
57:1	237-22	1	O-Ring	69:2	237-42	1	O-Ring
57:2	237-79	1	O-Ring	70	3256-22	2	Washer-Flat
59	58-1540	4	Spacer-Nylon	71	321-11	2	Screw-HH
60	33113-050	2	Screw-HH	72	63-4700	1	Valve-Flow, Regulator
62	59-7410	1	Tip-Nipple, Diagnostic	76	3256-24	2	Washer-Flat
62:1	237-42	1	O-Ring	77	92-9258	3	Check-Adapter
63	354-79	3	Cap-Dust	77:1	237-22	1	O-Ring
64	321-3	2	Screw-HH	77:2	237-42	1	O-Ring
65	3253-3	2	Washer-Lock	79	86-5480	2	Nipple-Test
66	3217-5	2	Nut-Hex	81	340-159	1	Fitting-HYD, 90 DEG
67	63-4690-03	1	Bracket-Valve	81:1	237-22	2	O-Ring



Valve Motor Spool Assembly No. 63-4800

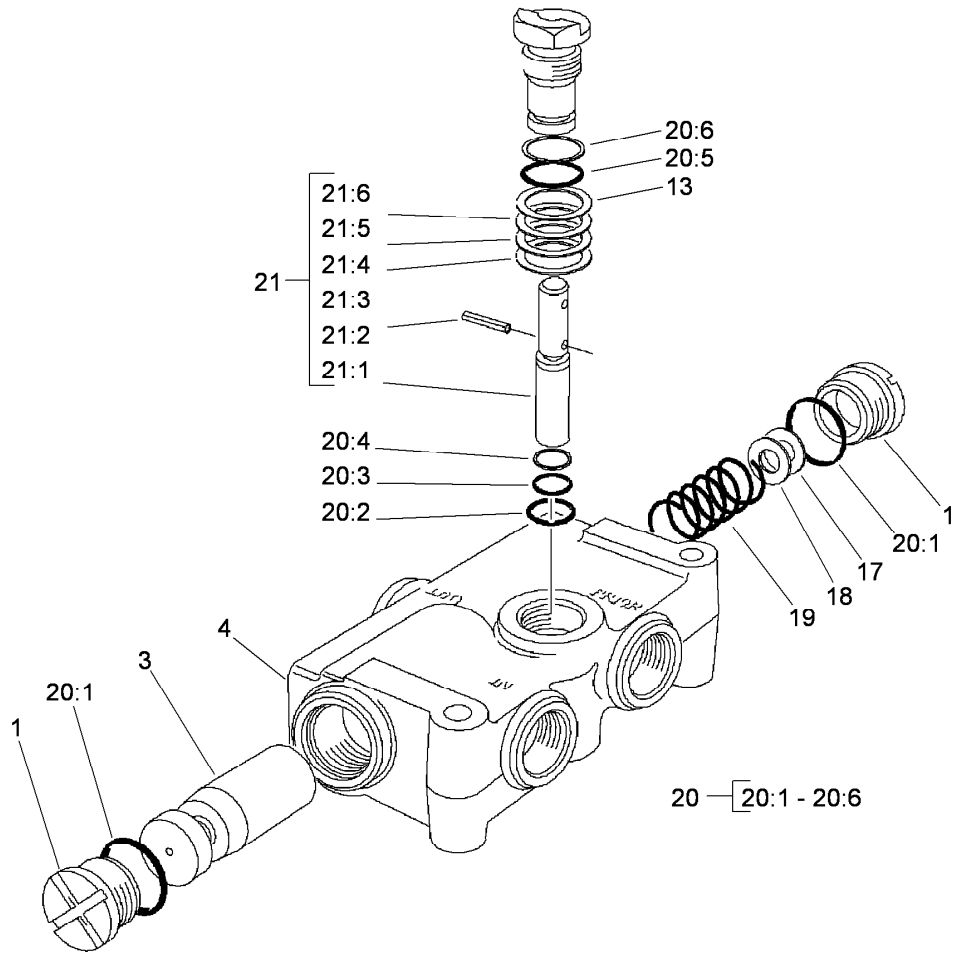
<i>Ref.</i>	<i>Part Number</i>	<i>Qty.</i>	<i>Description</i>	<i>Ref.</i>	<i>Part Number</i>	<i>Qty.</i>	<i>Description</i>
3	59-8040	1	Spring	20	63-4860	1	Circlip
4	59-8080	1	Washer	21	59-8230	1	Plug
5	59-8170	1	Washer	22	59-7780	1	Ring
6	63-4820	1	Block-Detent	23	302-66	1	Fitting-Grease
7	59-8070	2	Lockwasher	24	59-8140	1	Ring
8	63-4830	2	Capscrew	25	59-8160	1	Plug
9	59-8060	1	Plug	26	59-8120	1	Ring
10	59-8050	2	Spring	27	66-5420	1	Sleeve
11	59-8150	3	Pawl	28	60-4550	1	Switch-Micro
12	63-4840	1	Screw-Detent	29	3256-13	2	Washer
13	59-8100	1	Washer	30	63-4440	1	O-Ring
14	59-8180	1	Washer	31	3253-19	2	Washer-Lock
16	59-8190	1	Wiper	32	66-5430	2	Screw
17	63-4780	1	Valve	33	66-5440	2	Nut-Hex
18	63-4850	1	Plunger	34	59-7860	1	Washer
19	63-4510	1	Spring	35	42-1220	1	O-Ring



Control Valve Assembly No. 93-1432

Ref.	Part Number	Qty.	Description	Ref.	Part Number	Qty.	Description
1	58-6780	3	Plug	25	58-6730	3	Spring
1:1	58-6790	1	O-Ring	28	58-6420	3	Cap
2	60-6450	1	Disc	29	69-1840	1	Plunger
3	58-6760	3	Spring	30	58-6380	3	Plug
4	58-6770	3	Plunger	31	58-6410	3	Spring
6	353-508	3	Plug	32	60-6440	3	Eyelet
6:1	237-42	1	O-Ring	35	58-6330	3	Seat
8		1	Body ●	35:1	58-6340	1	O-Ring
11	58-6350	3	Plug	37	84-6420	2	Plunger
11:1	60-5720	1	O-Ring	39	84-6400	2	Disc-Orifice
11:2	58-6370	1	Washer	40	84-6401	1	Disc-Orifice
13		3	Spool ●	41	60-3780	1	Seal Kit
14	69-1830	1	Plug ASM	41:1	58-6790	3	O-Ring
14:1		1	Washer ●	41:2	58-6720	3	O-Ring
14:2	58-6750	1	O-Ring	41:3	60-5720	6	O-Ring
14:3		1	Nut-Lock ●	41:4	58-6310	6	Spacer
16	58-6470	1	Washer	41:5	58-6750	1	O-Ring
17	58-6480	1	Washer	41:6	58-6450	6	O-Ring
18	58-6490	1	Washer	41:7	58-6460	3	Ring-Retaining
19	84-6450	1	Spring	41:8	58-6290	3	Poppet
20	58-6440	1	Poppet	41:9	58-6340	3	O-Ring
23	58-6400	3	Bushing	41:10	58-6320	3	Wiper
24	58-6700	3	Washer	41:11	58-6370	1	Washer

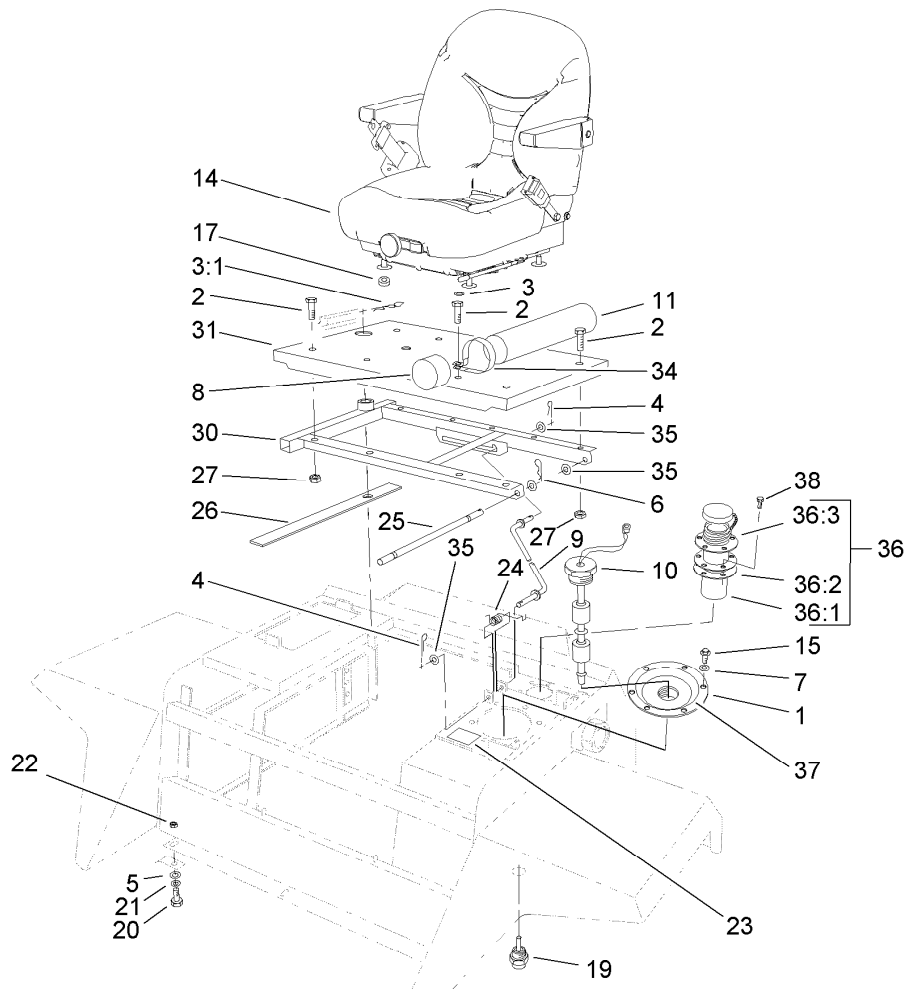
● Not serviced separately



Priority Flow Control Valve Assembly No. 58-5490

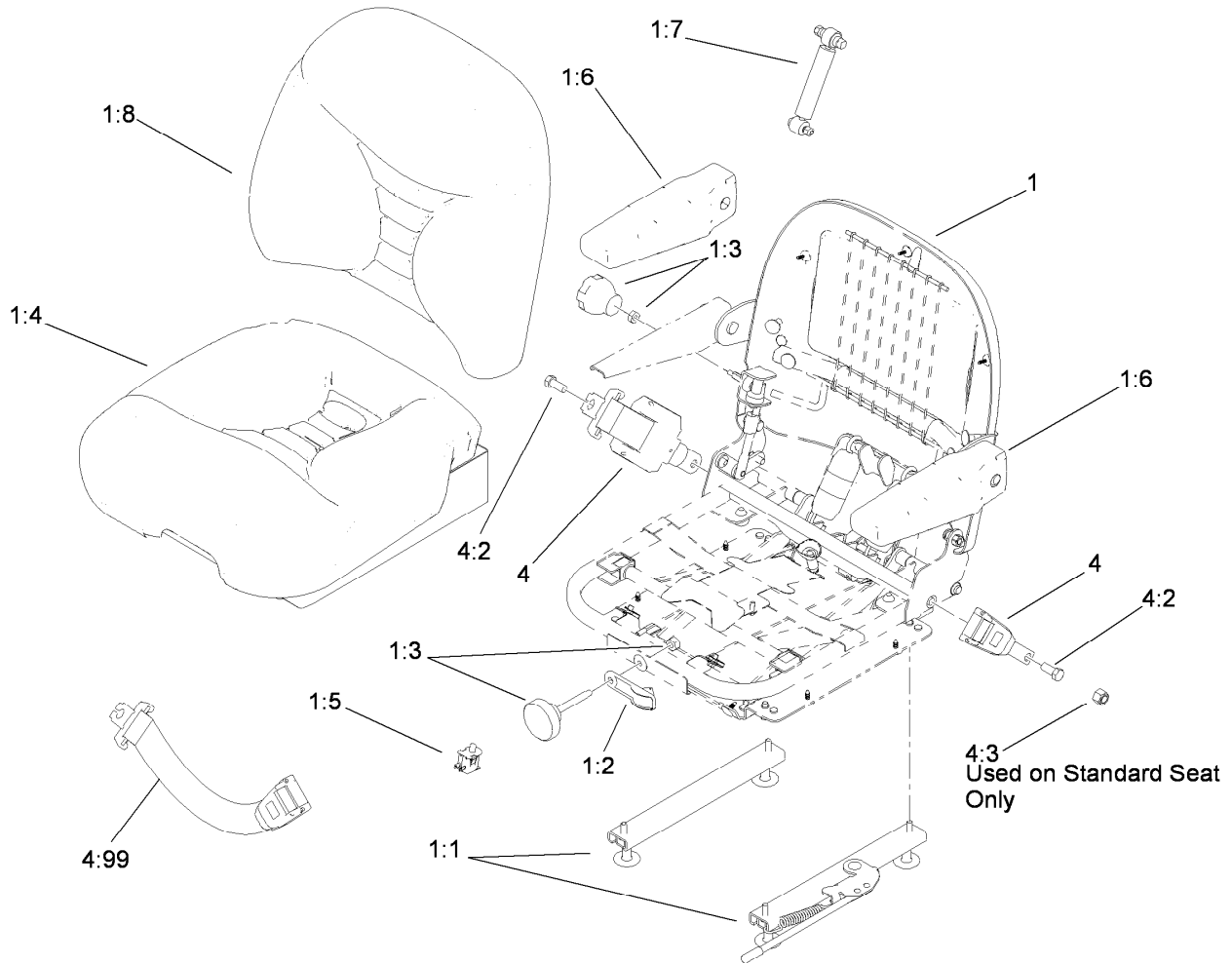
Ref.	Part Number	Qty.	Description
1	59-7600	2	Plug
3		1	Spool ●
4		1	Body ●
13	59-7720	1	Washer
17	59-7750	1	Washer
18	59-7760	1	Washer
19	59-7770	1	Spring
20	63-4520	1	Seal Kit
20:1	59-7610	2	Ring
20:2	59-7640	1	Ring
20:3	59-7650	1	Ring
20:4	60-5950	1	Washer
20:5	59-7780	1	Ring
20:6	58-6370	1	Washer
21	94-8265	1	Plug-Metering
21:1		1	Stem-Metering ●
21:2		1	Pin-Groove ●
21:3		1	Shim ●
21:4		1	Shim ●
21:5		1	Shim ●
21:6		1	Plug-Metering ●

● Not serviced separately



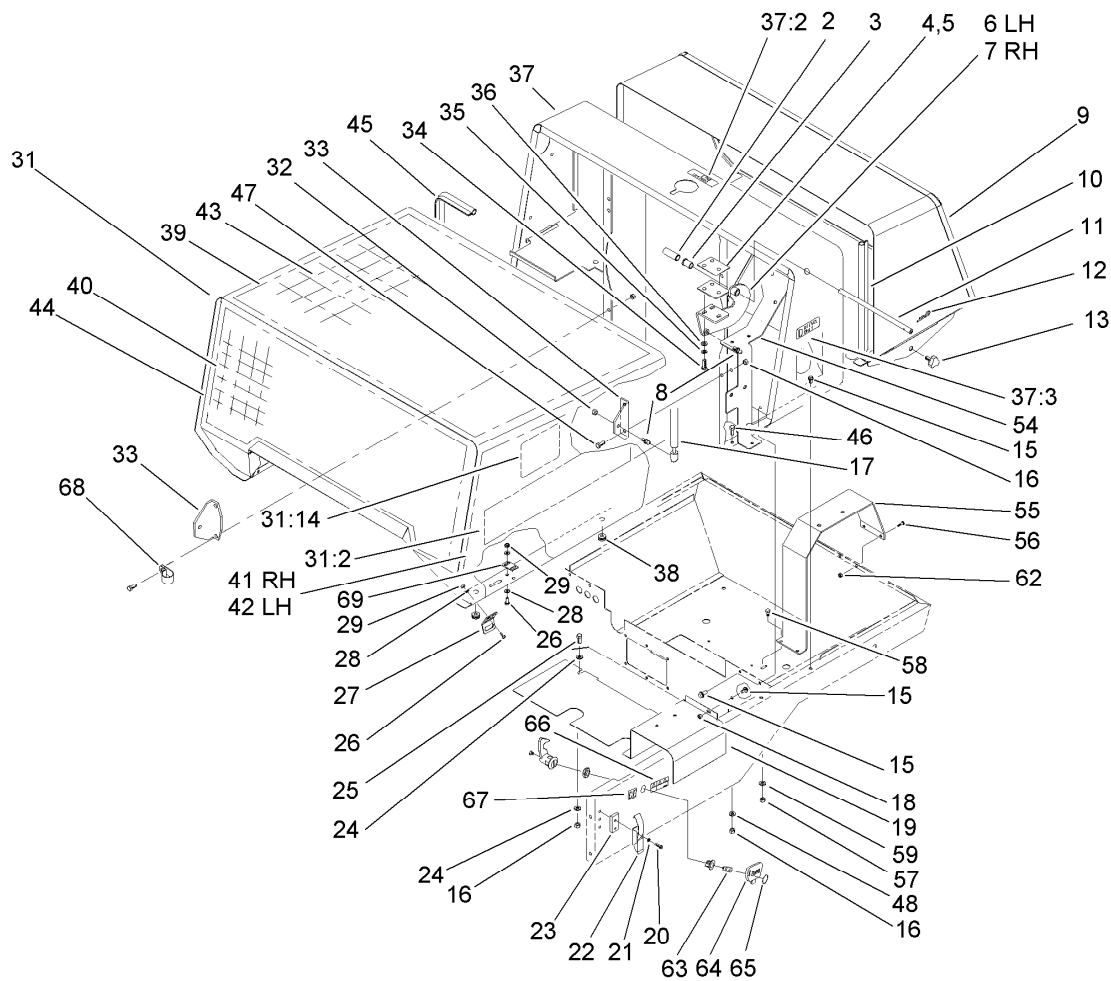
Seat Platform and Filler Cap Assembly

Ref.	Part Number	Qty.	Description	Ref.	Part Number	Qty.	Description
1	92-9200	1	Cover	21	3253-21	2	Washer-Lock
2	3234-5	6	Screw-HHF	22	32128-21	2	Nut-HF
3	60-2160	1	R-Clip ASM	23	93-6686	1	Decal-Oil, HYD
3:1	3290-355	1	Pin-Hair	24	60-0050	1	Spring-Tray, Seat
4	3272-11	2	Pin-Cotter	25	58-1640	1	Pin-Pivot, Seat
5	3256-24	2	Washer-Flat	26	68-7850	1	Strip-Sealing
6	3290-250	2	Pin-Hair	27	32128-20	10	Nut-HF
7	3253-15	6	Washer-Lock	30	58-1580-03	1	Frame-Seat
8	104-7048	1	Cap-Housing	31	58-9830-03	1	Plate-Seat
9	58-1650	1	Rod-Seat	34	2412-133	2	R-Clamp
10	82-9340	1	Level Switch ASM	35	3256-24	4	Washer-Flat
11	104-7050	1	Tube-Manual	36	71-4040	1	HYD Filler ASM
14	110-0838	1	Deluxe Seat ASM	36:1	62-2610	1	Strainer-Cap, Filler
15	46-0670	6	Screw-PPH	36:2	353-963	2	Gasket
17	26-4840	4	Spacer-Pin, Mounting	36:3	353-961	1	Flange
19	60-5580	1	Switch-Temperature	37	58-6820	1	Gasket
20	323-7	2	Screw-HH	38	32144-107	6	Screw



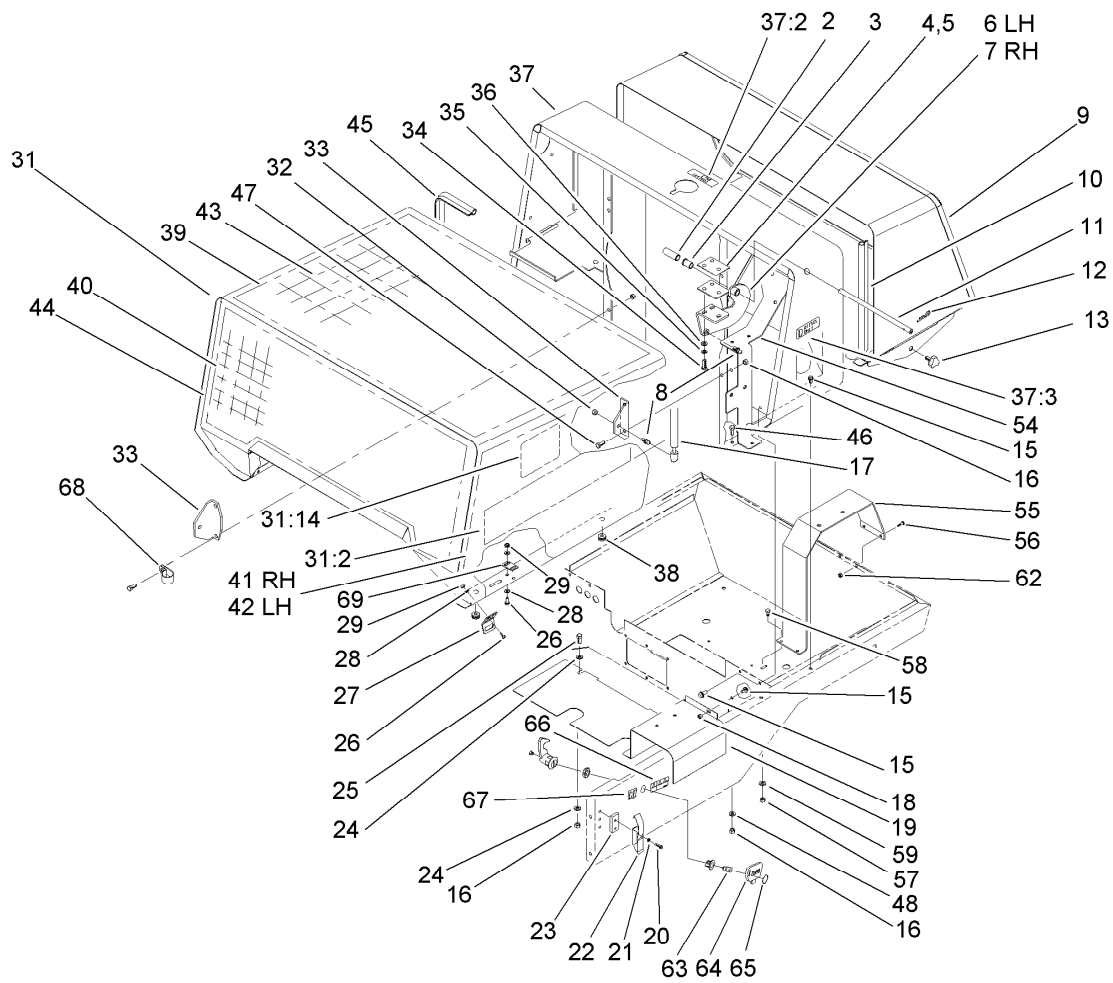
Deluxe Seat Assembly No. 110-0838

<i>Ref.</i>	<i>Part Number</i>	<i>Qty.</i>	<i>Description</i>
1	112-8355	1	Seat-Suspension
1:1	107-1880	1	Seat Track Kit
1:2	107-1885	1	Weight Indicator Kit
1:3	107-1881	1	Knob Kit
1:4	107-1883	1	Bottom Cushion Kit
1:5	82-2190	1	Switch-Bail
1:6	107-1887	1	Armrest Kit
1:7	107-1884	1	Shock Absorber Kit
1:8	112-8356	1	Cushion-Back
4	110-0883	1	Retractable Seatbelt Kit
4:2	3212-4	2	Screw-HH
4:3	3296-7	2	Nut-Lock
4:99	109-6226	1	Seat Belt Extension Kit



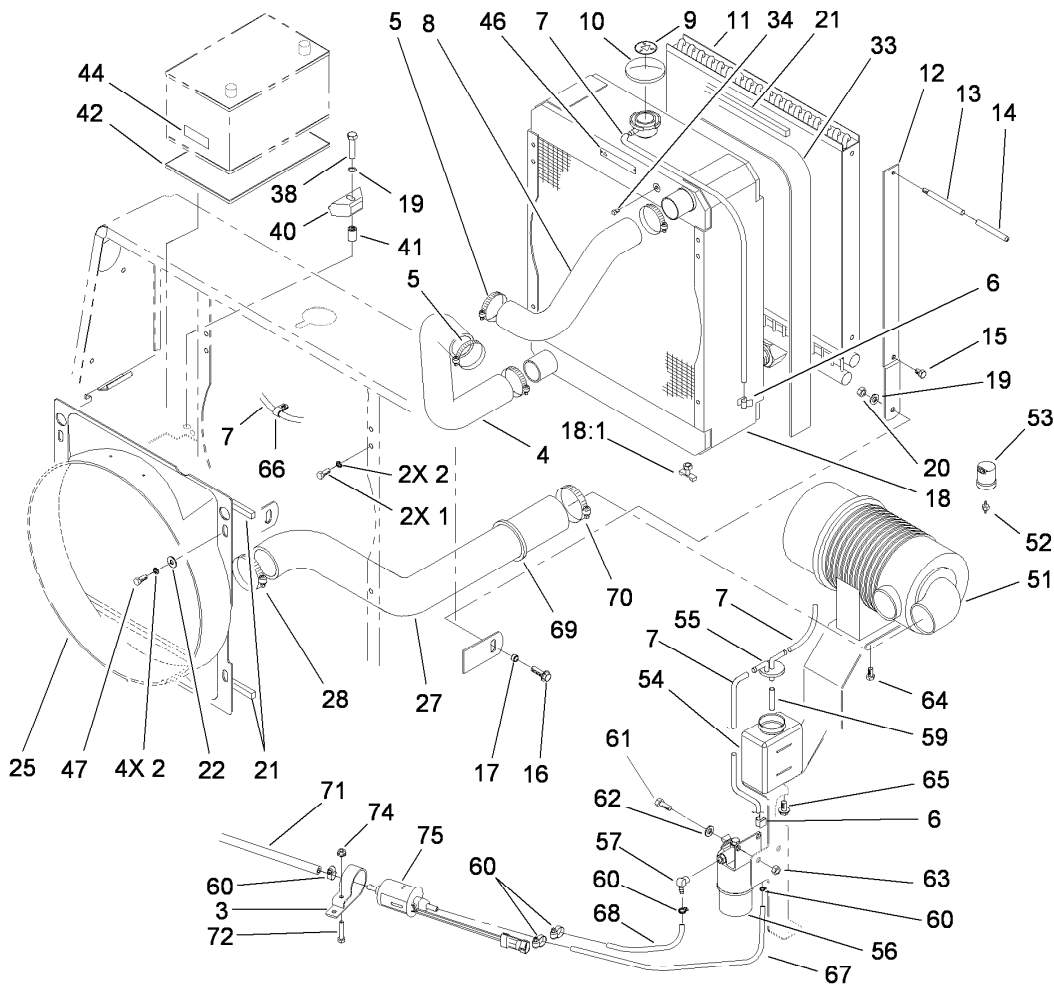
Hood Assembly

Ref.	Part Number	Qty.	Description	Ref.	Part Number	Qty.	Description
2	92-5655	2	Tube-Canopy	31:2	106-7060	2	Decal
3	115-2037	2	Bushing-Oilite	31:14	66-6140	2	Decal
4	58-5330	2	Spacer-Hinge, Canopy	32	48-9510	2	Nut
5	58-5350	2	Spacer-Hinge, Canopy	33	92-5652-03	2	Bracket
6	58-1970-01	1	Plate-Hinge, Left	34	33114-025	6	Screw-HH
7	58-1980-01	1	Plate-Hinge, Right	35	42-9850	6	Washer-Lock, Spring
8	86-6130	4	Ball-Stud	36	33094-00	6	Washer-Plain
9	92-6086	1	Rear Screen ASM	37	115-8004	1	Center Canopy ASM
10	92-5253	1	Strip-Sealing	37:2	93-9404	1	Decal-Only, Coolant
11	58-3910	2	Pin-Hinge, Canopy	37:3	114-9600	1	Decal-Low Sulfur
12	3290-355	2	Pin-Hair	38	237-141	4	Grommet-Rubber
13	77-3620	2	Knob-Retainer	39	92-5678	1	Foam-Hood, Top
15	3234-13	9	Screw-HHF	40	92-5679	1	Foam-Hood, Front
16	3296-29	9	Nut-Lock, NI	41	92-5680	1	Foam-Hood, RH
17	88-6760	2	Spring-Gas	42	92-5681	1	Foam-Hood, LH
18	3296-56	1	Nut-Lock, NI	43	92-5672-03	1	Support-Foam, Canopy
19	105-3330-03	1	Baffle-Body, Lower	44	92-5673-03	1	Support-Foam, Front
20	3250-25	4	Screw-PPH	45	92-6060	1	Strip-Sealing
21	3253-2	4	Washer-Lock	46	322-5	4	Screw-HH
22	58-5380	2	Latch-Draw	47	322-4	4	Screw-HH
23	58-7070-03	2	Spacer-Latch, RH	48	3256-3	4	Washer-Flat
24	3256-23	2	Washer-Flat	54	104-5230-03	1	Bracket-Fuel
25	322-3	1	Screw-HH	55	94-8226-03	1	Bracket-Cleaner, Air
26	3250-31	10	Screw-PPH	56	32122-42	2	Screw
27	68-6040	2	Bracket	57	3296-42	2	Nut-Lock, NI
28	3256-51	12	Washer-Flat	58	321-3	2	Screw-HH
29	3296-27	10	Nut-Lock, NI	59	3256-22	2	Washer-Flat
31	106-7074	1	Canopy-Front	62	3296-56	2	Nut-Lock, NI



Hood Assembly (continued)

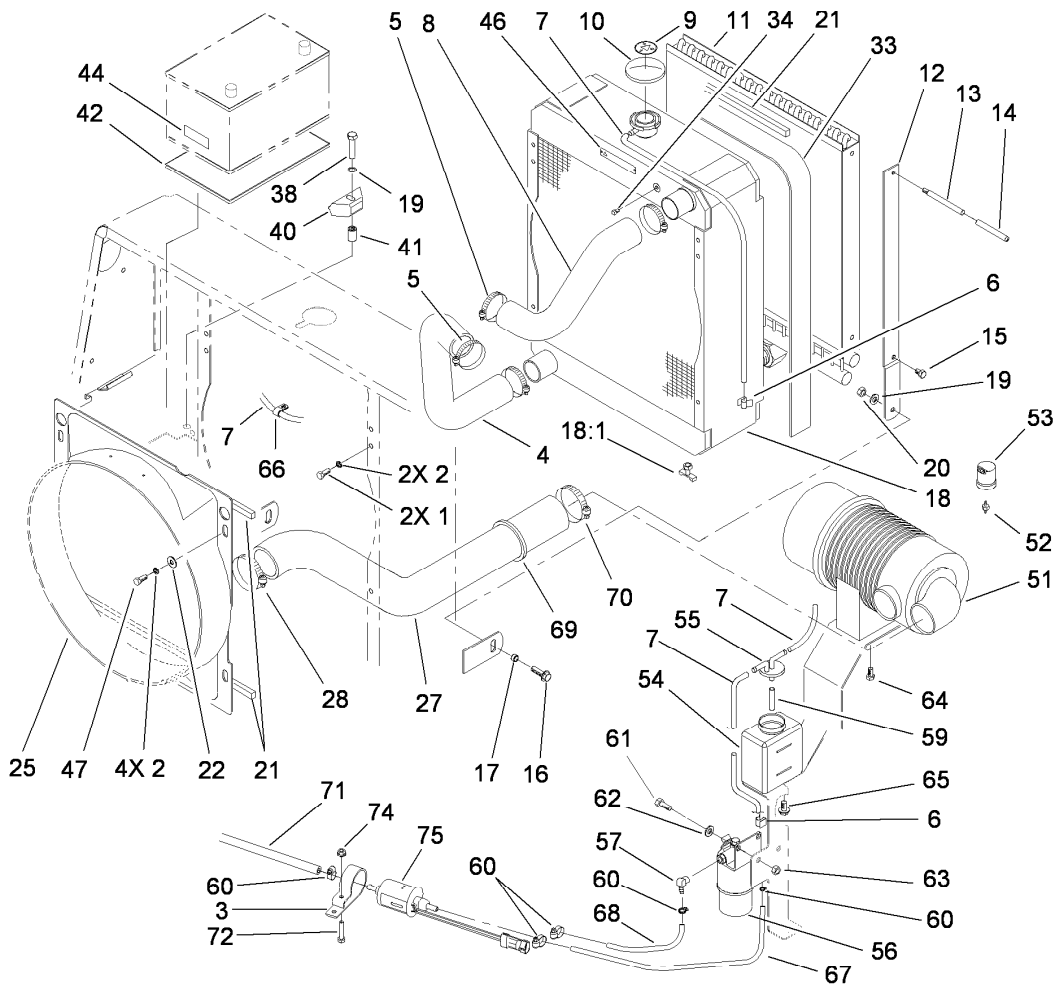
<i>Ref.</i>	<i>Part Number</i>	<i>Qty.</i>	<i>Description</i>	<i>Ref.</i>	<i>Part Number</i>	<i>Qty.</i>	<i>Description</i>
63	98-5398	1	Latch	67	93-7252	1	Decal-Ce Mark
64	99-8970	1	Key-Latch, Hood	68	2412-109	1	Clip-J
65	98-9321	1	Ring-Key	69	105-9270	1	Plate-Strike
66	100-6574	1	Decal-Warning				



Radiator, Oil Cooler and Air Cleaner Assembly

Ref.	Part Number	Qty.	Description	Ref.	Part Number	Qty.	Description
1	322-3	2	Screw-HH	22	99-2900	4	Washer-Flat
2	3253-4	6	Washer-Lock	25	98-1250	1	Shroud-Fan
3	110-8817	1	Bracket-Pump, Fuel	27	98-1234	1	Hose-Intake
4	98-1215	1	Hose-Lower, Radiator	28	2412-42	1	Clamp-Hose
5	2412-92	4	Clamp-Hose	33	92-6062	1	Foam-Seal, Radiator
6	115-8007	4	Clip-Wire	34	281-2	1	Plug-Pipe, SQH
7	98-7895	2	Tube	38	323-9	1	Screw-HH
8	98-1214	1	Hose-Radiator, Upper	40	66-2490	1	Retainer-Battery
9	59-8440	1	Decal-Pressure Warning, Radiator	41	32148-9	1	Insert-Nut
10	58-5420	1	Cap-Pressure	42	93-1420	1	Tray-Battery
11	58-5540	1	Cooler-Oil	44	93-6668	1	Decal-Battery
11:1	340-65	2	O-Ring ●	46	93-6681	1	Decal-Warning, Fan
12	92-4753-03	2	Strap-Cooler, Oil	47	322-4	4	Screw-HH
13	75-7790	2	Handle	51	100-2597	1	Air Filter ASM
14	47-2550	2	Grip-Handle, Bag	52	94-1416	1	Indicator Adapter ASM
15	48-7680	2	Screw-HH	53	69-1940	1	Indicator-Electrical
16	3234-11	2	Screw-HHF	54	93-2049	1	Tank-Overflow
17	76-2290	2	Spacer	55	93-2048	1	Cap-Tank, Overflow
18	92-4729	1	Radiator ASM	56	104-5218	1	Water / Fuel Separator Filter ASM
18:1	304-46	1	Draincock	57	353-781	2	Fitting-Elbow
19	3256-24	3	Washer-Flat	59	108-3283	1	Hose-Fuel
20	3296-39	2	Nut-Lock, NI	60	2412-108	5	Clamp-Worm
21	68-7575	3	Strip-Sealing	61	322-5	2	Screw-HH

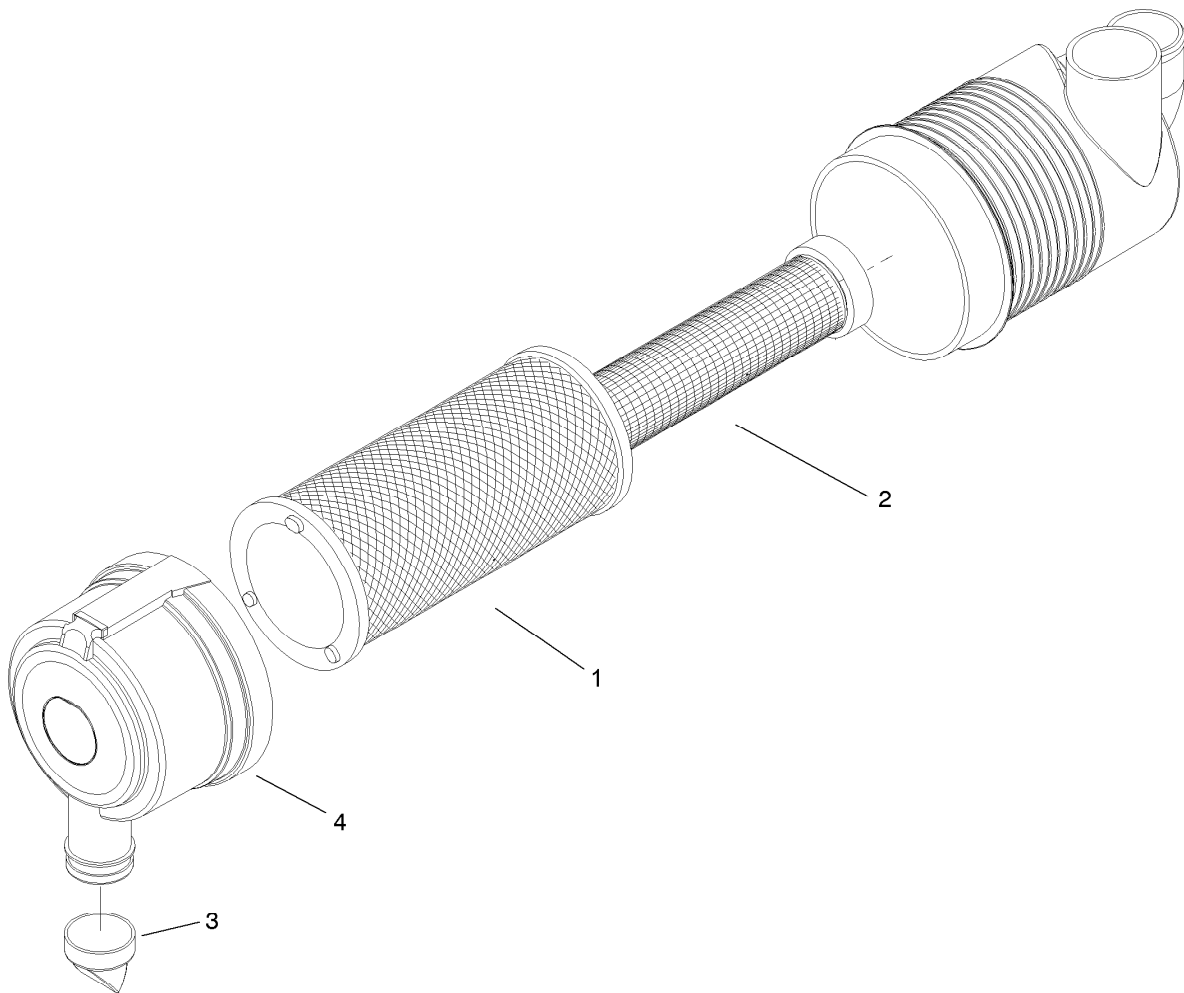
● Not illustrated



Radiator, Oil Cooler and Air Cleaner Assembly (continued)

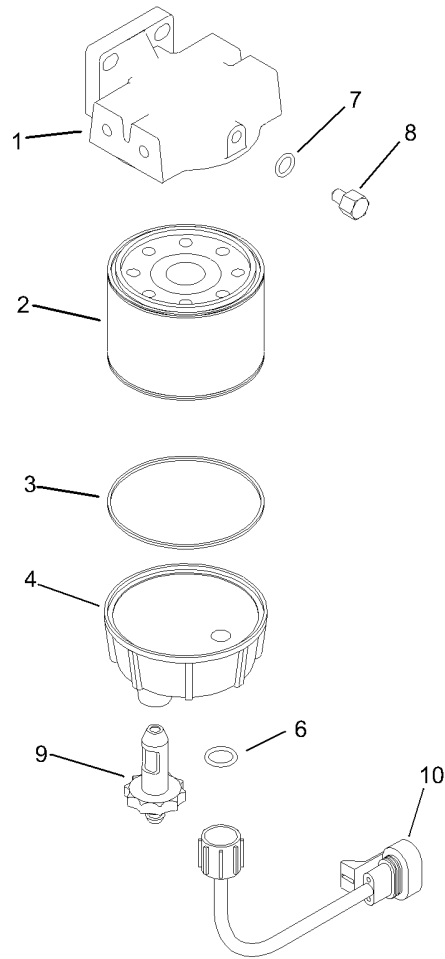
<i>Ref.</i>	<i>Part Number</i>	<i>Qty.</i>	<i>Description</i>	<i>Ref.</i>	<i>Part Number</i>	<i>Qty.</i>	<i>Description</i>
62	3256-23	2	Washer-Flat	69	98-7896	1	Trim-Lok
63	3296-29	2	Nut-Lock, NI	70	2412-125	1	Clamp-Hose
64	33104-016	2	Screw-HHF	71	110-4108	1	Hose-Fuel
65	33114-016	2	Screw-HH	72	321-13	1	Screw-HH
66	92-6064	1	Clamp-R	74	32128-32	1	Nut-HHF
67	110-4110	1	Hose-Fuel	75	110-8806	1	Pump-Fuel
68	110-3257	1	Hose-Fuel				

● Not illustrated



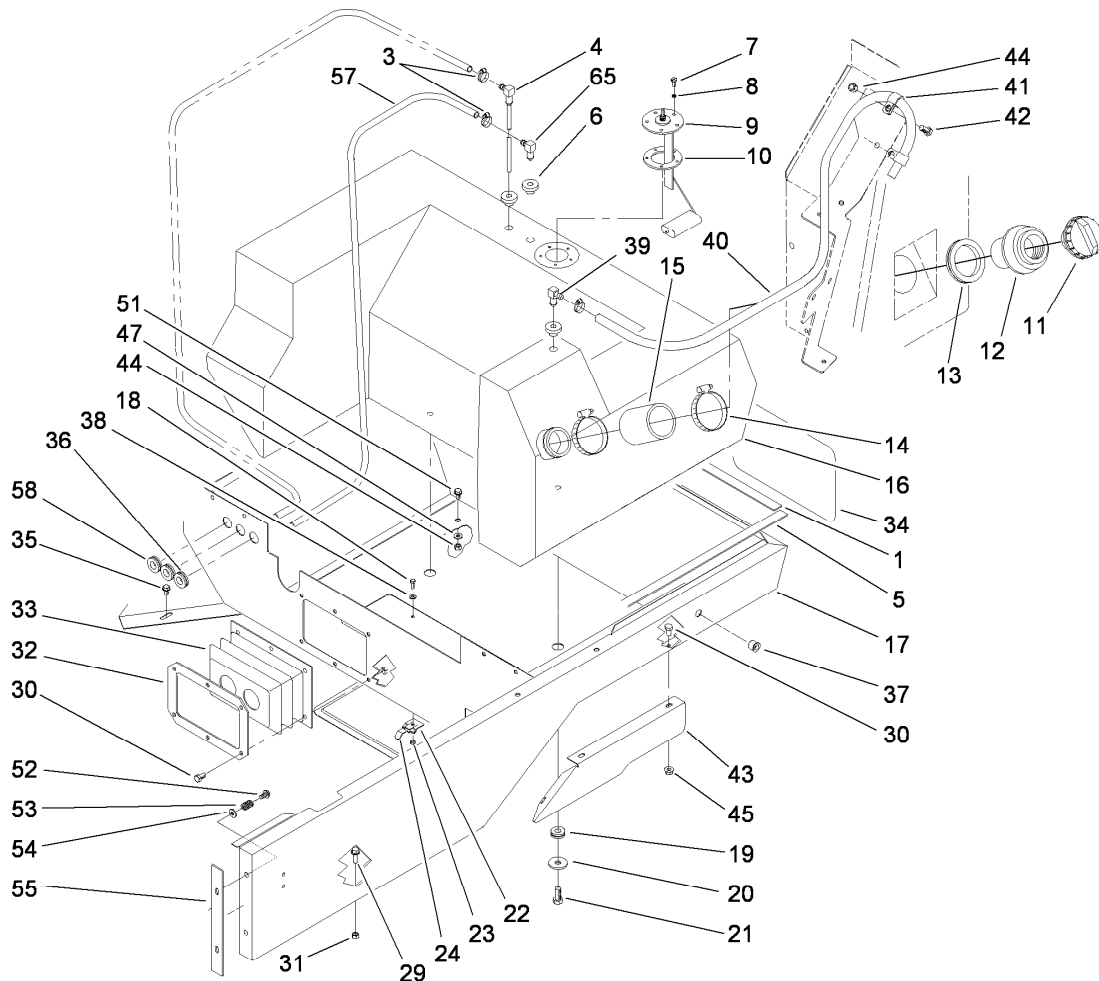
Air Filter Assembly No. 100-2597

<i>Ref.</i>	<i>Part Number</i>	<i>Qty.</i>	<i>Description</i>
1	108-3812	1	Filter-Air
2	108-3813	1	Element-Safety, Air Cleaner
3	87-9400	1	Valve-Vacuator
4	108-1448	1	Cover ASM



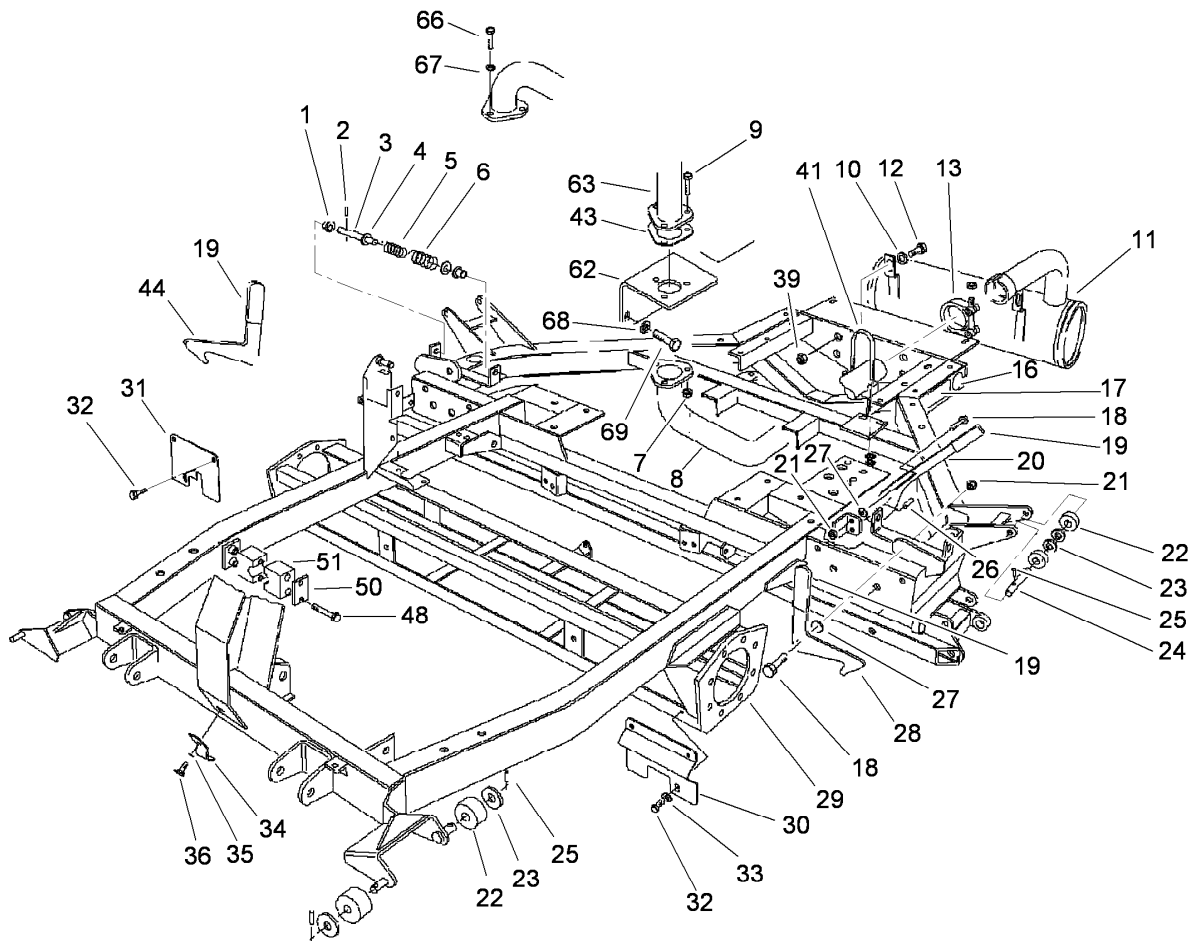
Fuel Filter Assembly No. 104-5218

<i>Ref.</i>	<i>Part Number</i>	<i>Qty.</i>	<i>Description</i>
1	98-9772	1	Head-Filter
2	98-9764	1	Element
3	98-9774	1	O-Ring
4	98-9775	1	Base-Filter
6	237-42	1	O-Ring
7	237-78	1	O-Ring
8	98-9776	1	Plug-Head, Filter
9	98-9777	1	Drain Valve ASM
10	110-0048	1	Water Sensor ASM



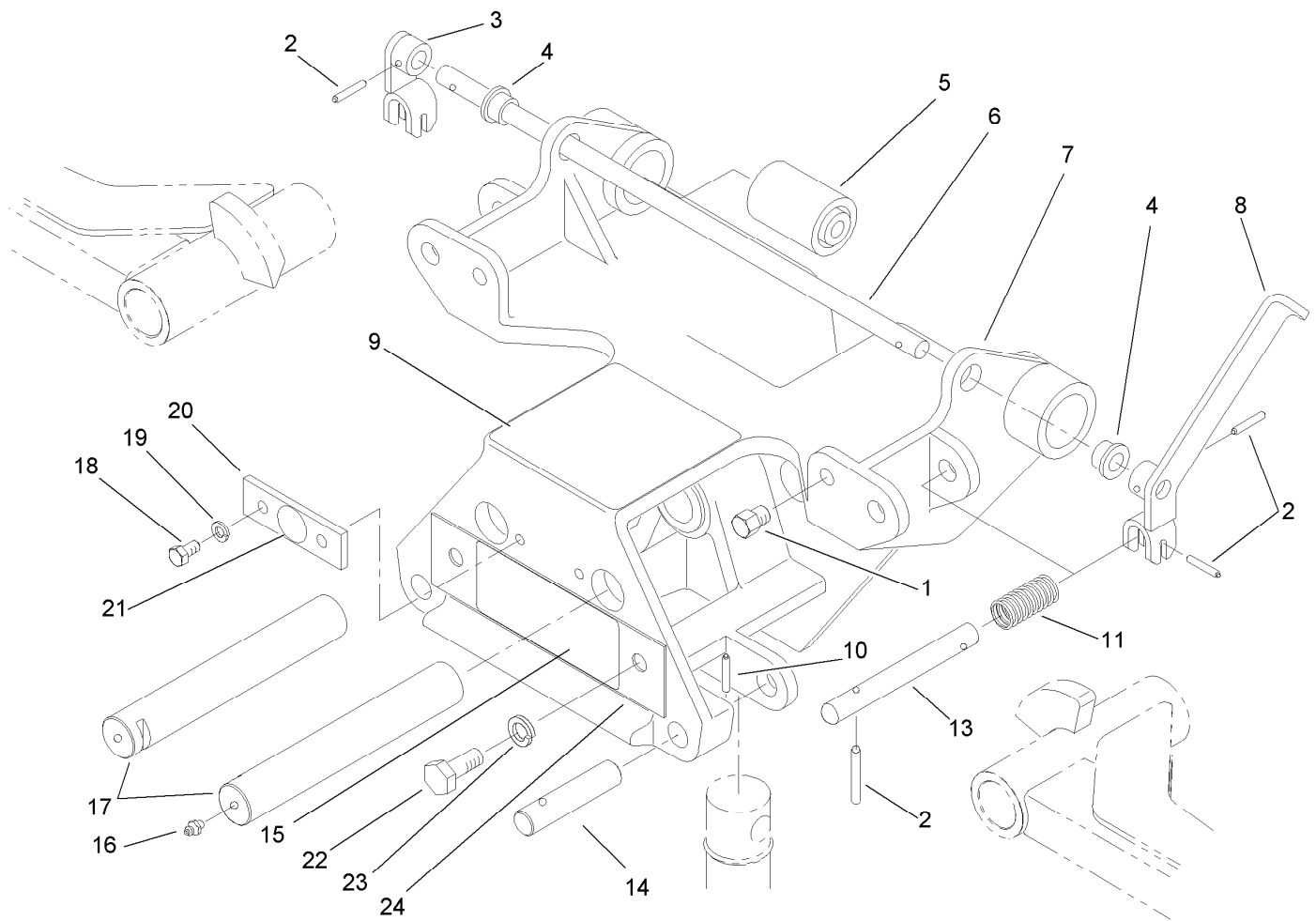
Fuel Tank and Lower Body Assembly

Ref.	Part Number	Qty.	Description	Ref.	Part Number	Qty.	Description
1	92-5671	1	Strip-Sealing	31	3296-56	7	Nut-Lock, NI
3	2412-108	4	Clamp-Worm	32	92-5653-03	1	Ring-Clamp
4	115-2034	1	Stand Pipe	33	92-5269	1	Bellows
5	92-5670	2	Strip-Sealing	34	92-1242	1	Decal
6	46-6560	3	Bushing	35	3234-13	2	Screw-HHF
7	32122-24	5	Screw-PTH	36	240-9	2	Grommet
8	3253-15	5	Washer-Lock	37	32148-9	2	Insert-Nut
9	92-9267	1	Sender-Fuel	38	3256-51	4	Washer-Flat
10	62-7650	1	Gasket	39	46-6550	1	Fitting-Elbow, 90 DEG
11	115-5305	1	Cap-Fuel	40	110-4112	1	Hose-Fuel
12	92-5674	1	Neck-Fill, Fuel	41	92-6064	2	Clamp-R
13	92-5675	1	Grommet	42	322-3	2	Screw-HH
14	2412-42	2	Clamp-Hose	43	92-6069-03	1	Shield-Exhaust
15	92-9272	1	Hose-Fill, Fuel	44	3296-29	4	Nut-Lock, NI
16	93-1402	1	Tank-Fuel	45	32128-33	3	Nut-HF
17	104-5266-03	1	Body-Lower	47	3256-23	2	Washer-Flat
18	32144-1	4	Screw-Taptite	51	3234-17	2	Screw-HHF
19	240-11	2	Bushing-Flange	52	94-8270	4	Bolt-Shoulder
20	63-8410	2	Washer	53	63-4220	4	Spring-Compression
21	323-5	2	Screw-HH	54	3256-78	4	Washer-Flat
22	52-9590	4	Latch-Screen	55	94-8258	2	Strip-Seal
23	3296-12	4	Nut-Lock, NI	57	110-5688	1	Hose-Fuel
24	92-5654-03	1	Panel-Out, Clean	58	60-4350	1	Grommet
29	3234-4	1	Screw-HHF	65	104-5228	1	Fitting-Elbow
30	321-2	9	Screw-HH				



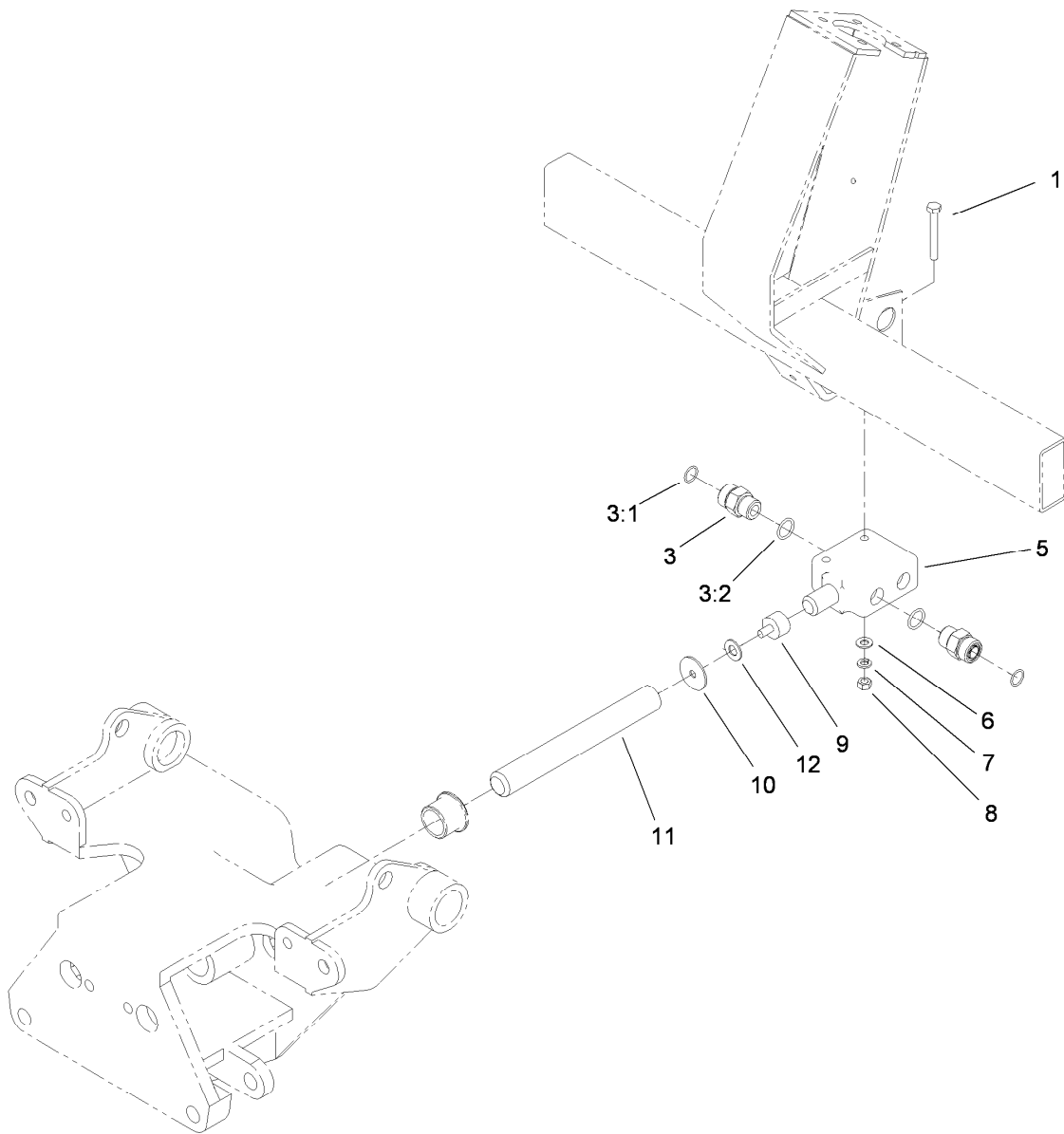
Frame and Muffler Assembly

<i>Ref.</i>	<i>Part Number</i>	<i>Qty.</i>	<i>Description</i>	<i>Ref.</i>	<i>Part Number</i>	<i>Qty.</i>	<i>Description</i>
1	58-2800	4	Bushing	27	48-8850	3	Spring-Disc
2	60-3720	2	Pin-Roll	28	86-6590-03	1	Latch-LH
3	58-2810	2	Rod	29	94-8268-01	1	Frame ASM
4	3256-7	4	Washer-Flat	30	60-4190-03	1	Shield-Grass, LH
5	48-6780	2	Spring-Compression	31	60-4200-03	1	Shield-Grass, RH
6	60-1240	2	Spring	32	48-6900	6	Screw
7	3296-29	3	Nut-Lock, NI	33	33093-00	2	Washer-Flat
8	98-1230-03	1	Tube-Lower	34	60-2080	1	Clamp-Hose
9	322-7	3	Screw-HH	35	42-9850	1	Washer-Lock, Spring
10	3256-24	4	Washer-Flat	36	48-7680	1	Screw-HH
11	92-5273	1	Muffler	39	3296-39	4	Nut-Lock, NI
12	323-9	4	Screw-HH	41	76-3560	1	Clamp
13	2412-132	1	Clamp	43	98-7817	3	Gasket-Muffler
16	58-6520	3	Decal-Grease	44	86-6580-03	1	Latch-RH
17	93-9405	2	Decal-Pressure, Air	48	321-9	2	Screw-HH
18	33116-030	3	Screw-HH	50	82-2980	1	Plate-Cover
19	48-7081	3	Grip-Plastic	51	82-2990	2	Clamp-Half
20	86-6570-03	1	Latch	62	98-1246-03	1	Bracket-Exhaust
21	51-2070	3	Nut	63	98-1231-03	1	Tube-Upper
22	82-4910	8	Roller	66	33114-025	3	Screw-HH
23	51-2060	8	Washer	67	42-9850	3	Washer-Lock, Spring
24	60-0160	2	Pin	68	43-5940	2	Washer-Lock, Spring
25	60-2110	8	Pin	69	42-9250	2	Bolt
26	48-8830	1	Pin-Expansion				



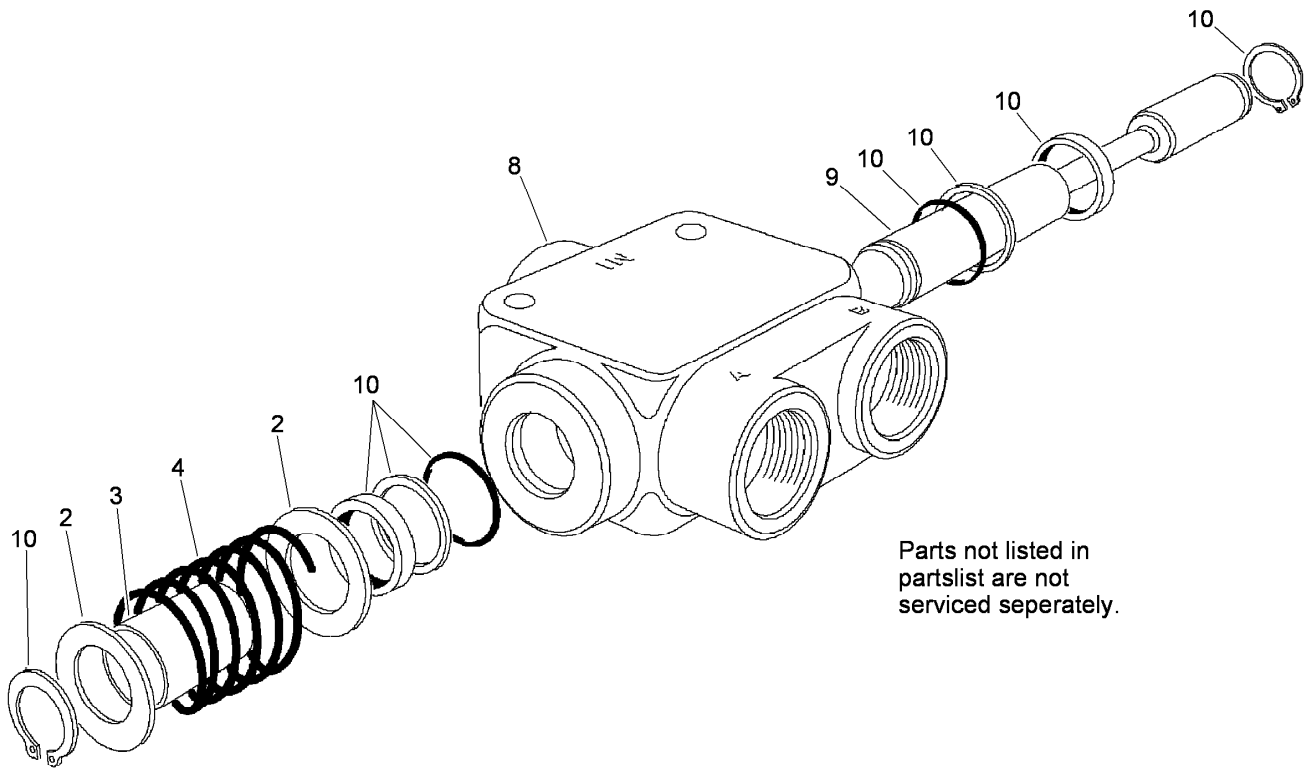
Front Carrier Assembly

<i>Ref.</i>	<i>Part Number</i>	<i>Qty.</i>	<i>Description</i>
1	82-9250	2	Stud-Threaded
2	60-2000	6	Pin
3	60-1750-03	1	Lever-Latching, RH
4	60-1990	2	Bushing
5	47-7010	2	Bushing-Rubber
6	60-1820	1	Shaft-Pivot, Latch
7	74-2920-03	1	Carrier-Front
8	60-1780-03	1	Lever-Latching, LH
9	82-9370	1	Pad-Step, Front
10	32121-84	2	Pin-Spiral
11	60-0670	2	Spring
13	82-9360	2	Rod-Latch
14	58-2720	2	Pin
15	93-9400	1	Decal-Danger
16	302-5	2	Fitting-Grease
17	60-0090	2	Pin-Pivot
18	322-2	2	Screw-HH
19	3253-4	2	Washer-Lock
20	60-0190	1	Strip
21	58-6520	1	Decal-Grease
22	325-2	2	Screw-HH
23	3253-7	2	Washer-Lock
24	84-6480	1	Plate-Decal



Front Reel Shut-Off Assembly

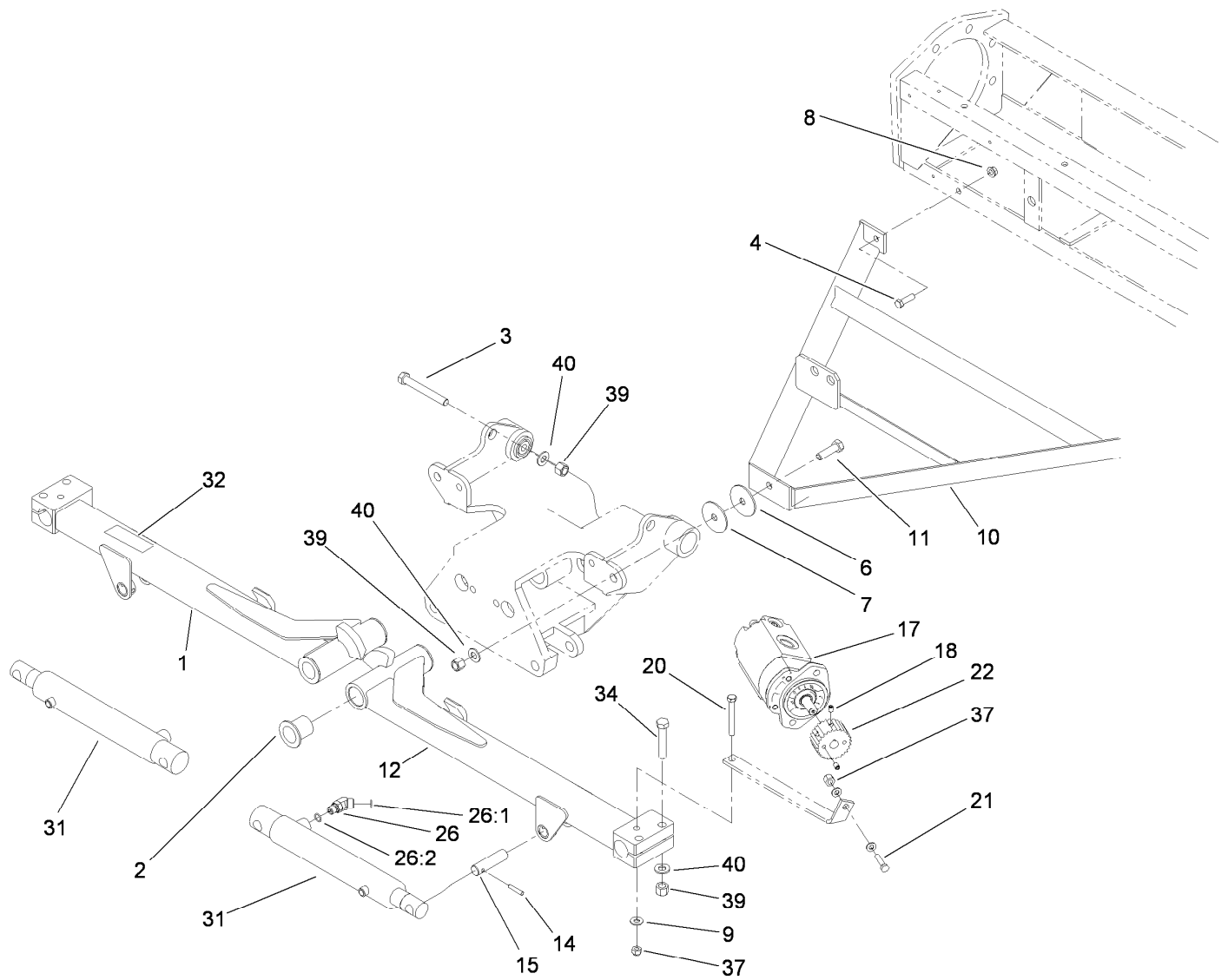
<i>Ref.</i>	<i>Part Number</i>	<i>Qty.</i>	<i>Description</i>
1	322-12	2	Screw-HH
3	340-7	3	Adapter
3:1	237-65	1	O-Ring
3:2	237-80	1	O-Ring
5	58-5460	1	Valve-Selector
6	3256-23	2	Washer-Flat
7	3253-4	2	Washer-Lock
8	3217-6	2	Nut-Hex
9	117-8981	1	Bushing-Rubber
10	3256-68	3	Washer-Flat
11	60-0300	1	Rod-Push
12	3256-25	1	Washer-Flat



Reel Shut-Off Valve Assembly No. 58-5460

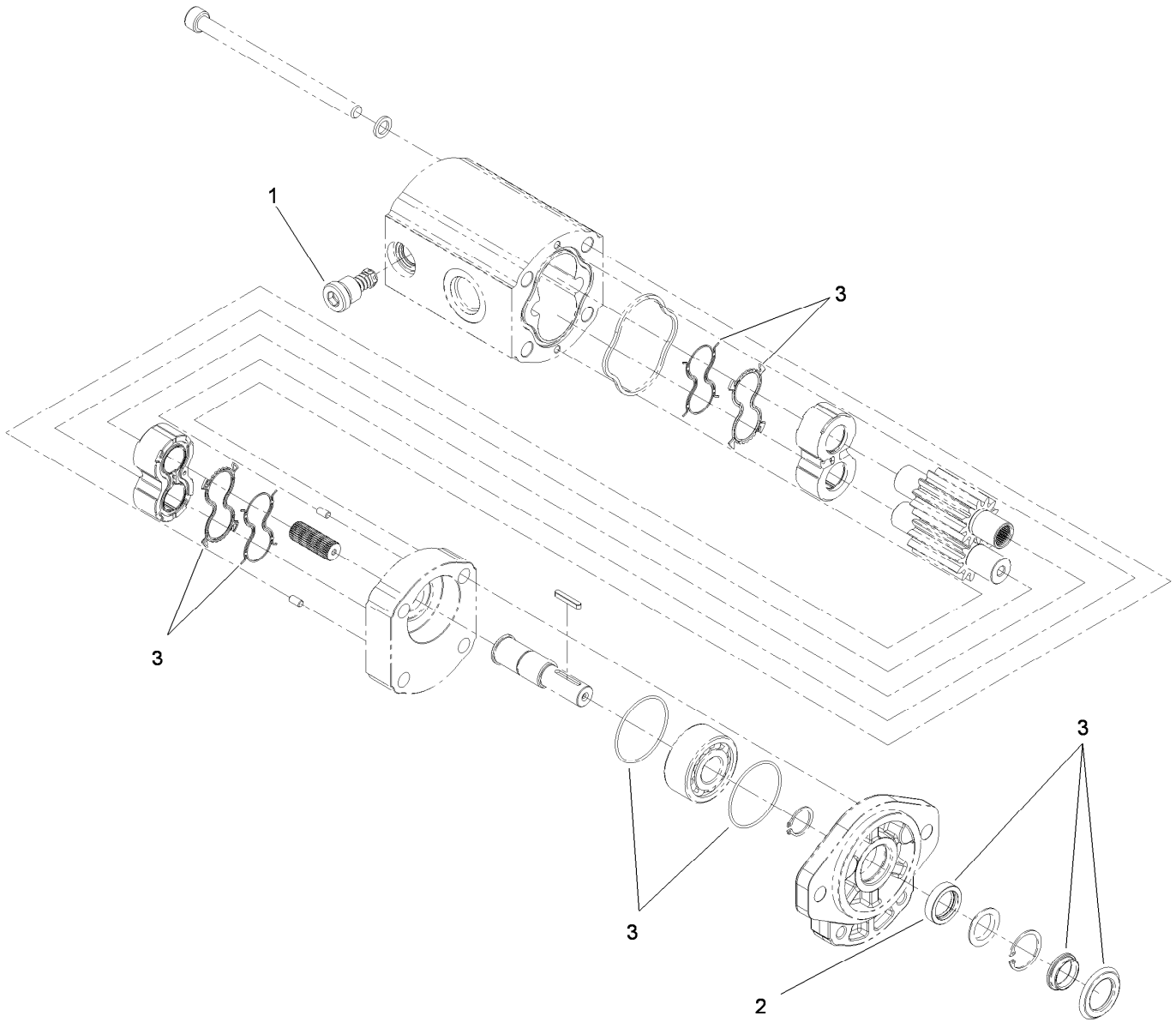
<i>Ref.</i>	<i>Part Number</i>	<i>Qty.</i>	<i>Description</i>
2	59-7820	2	Washer
3		1	Spacer ●
4	59-7840	1	Spring
8		1	Body ●
9		1	Spool ●
10	59-7890	1	Seal Repair Kit

● Not serviced separately



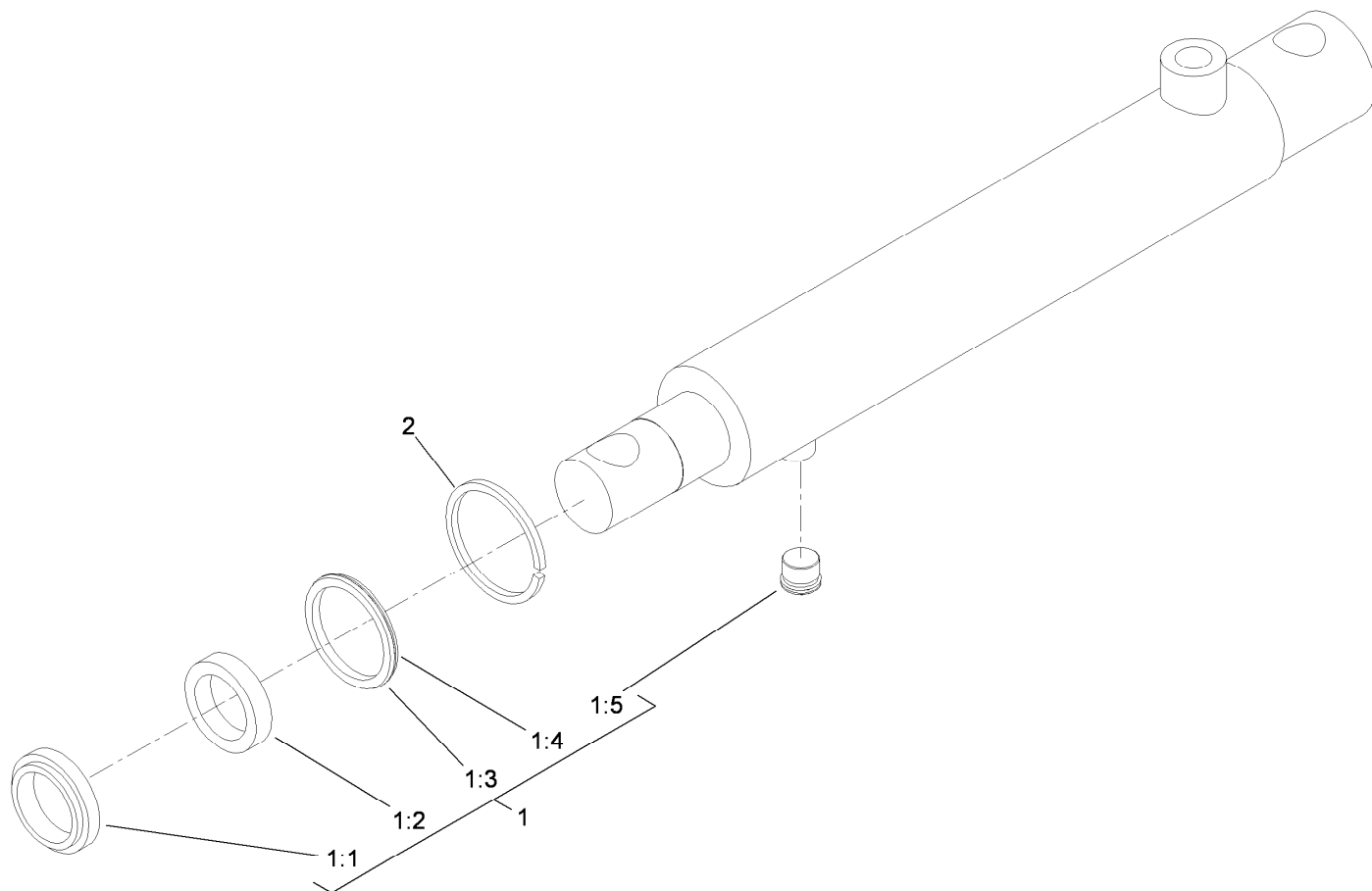
Front Lift Arm and A-Frame Assembly

<i>Ref.</i>	<i>Part Number</i>	<i>Qty.</i>	<i>Description</i>	<i>Ref.</i>	<i>Part Number</i>	<i>Qty.</i>	<i>Description</i>
1	115-8047-01	1	No. 3 Lift Arm ASM	18	3246-17	4	Setscrew-HSH
2	68-6480	4	Bushing-Flange	20	323-14	2	Screw-HH
3	325-17	2	Screw-HH	21	322-7	2	Screw-HH
4	323-7	2	Screw-HH	22	47-7150	2	Pulley-Drive
6	52-6180	3	Spacer	26	340-87	2	Fitting-HYD, 45 DEG
7	60-3250	1	Washer	26:1	237-22	1	O-Ring
8	3290-357	2	Nut-HHF, Whiz	26:2	237-42	1	O-Ring
9	3256-56	2	Washer-Flat	31	115-8011	2	Cylinder-HYD
10	92-9246-03	1	A-Frame	32	93-7331	2	Decal-Warning
11	325-7	1	Screw-HH	34	325-34	4	Screw-HH
12	115-8046-01	1	No. 2 Lift Arm ASM	37	3296-29	2	Nut-Lock, NI
14	60-1280	2	Pin	39	3296-23	7	Nut-Lock, NI
15	58-4380	2	Pin	40	3256-26	7	Washer-Flat
17	117-8965	2	Motor-Hydraulic				



Reel Motor Assembly No. 117-8965

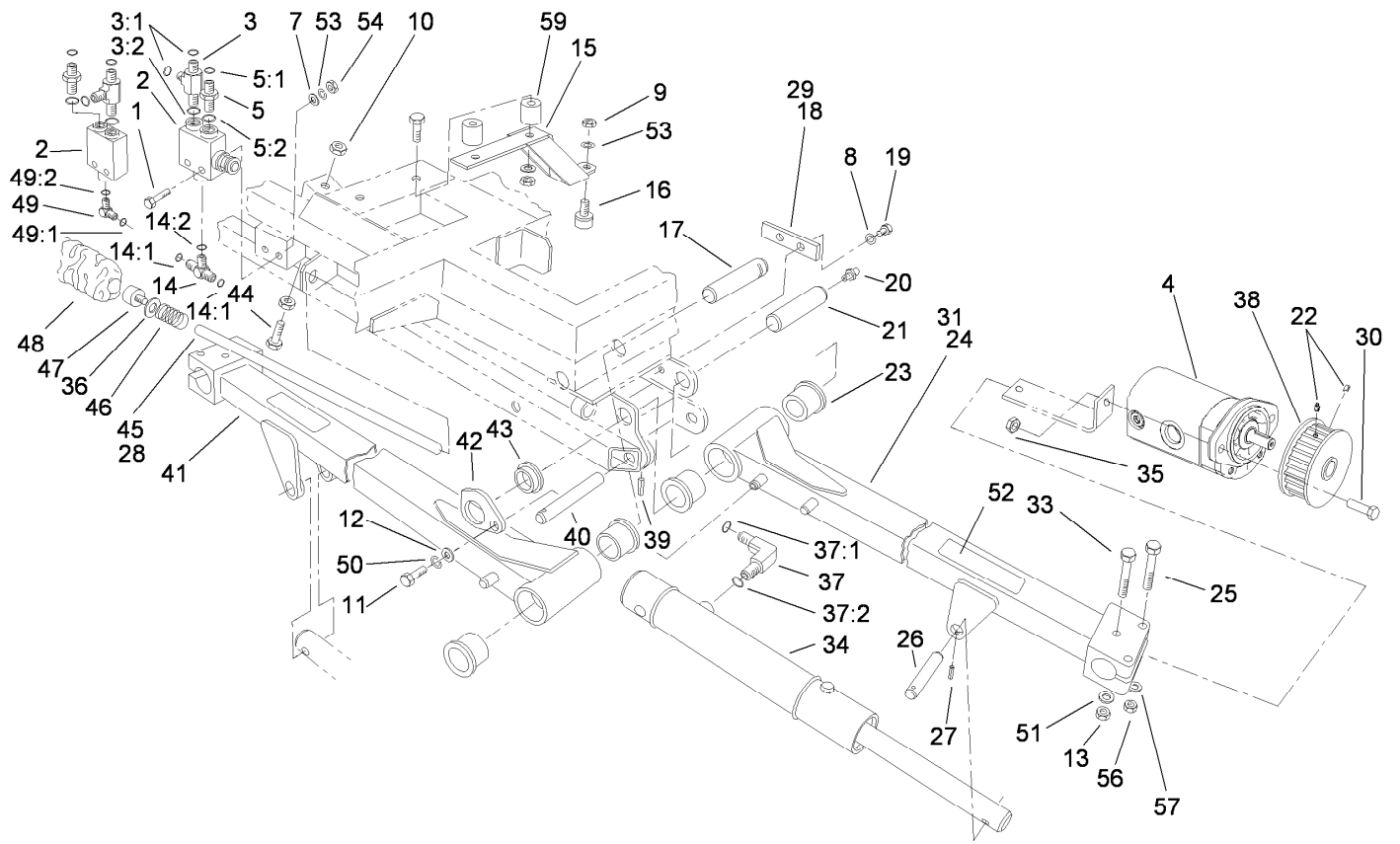
<i>Ref.</i>	<i>Part Number</i>	<i>Qty.</i>	<i>Description</i>
1	117-5107	1	Valve-Check
2	115-4045	1	Seal-Wiper
3	117-8955	1	Seal Kit



Hydraulic Cylinder Assembly No. 115-8011

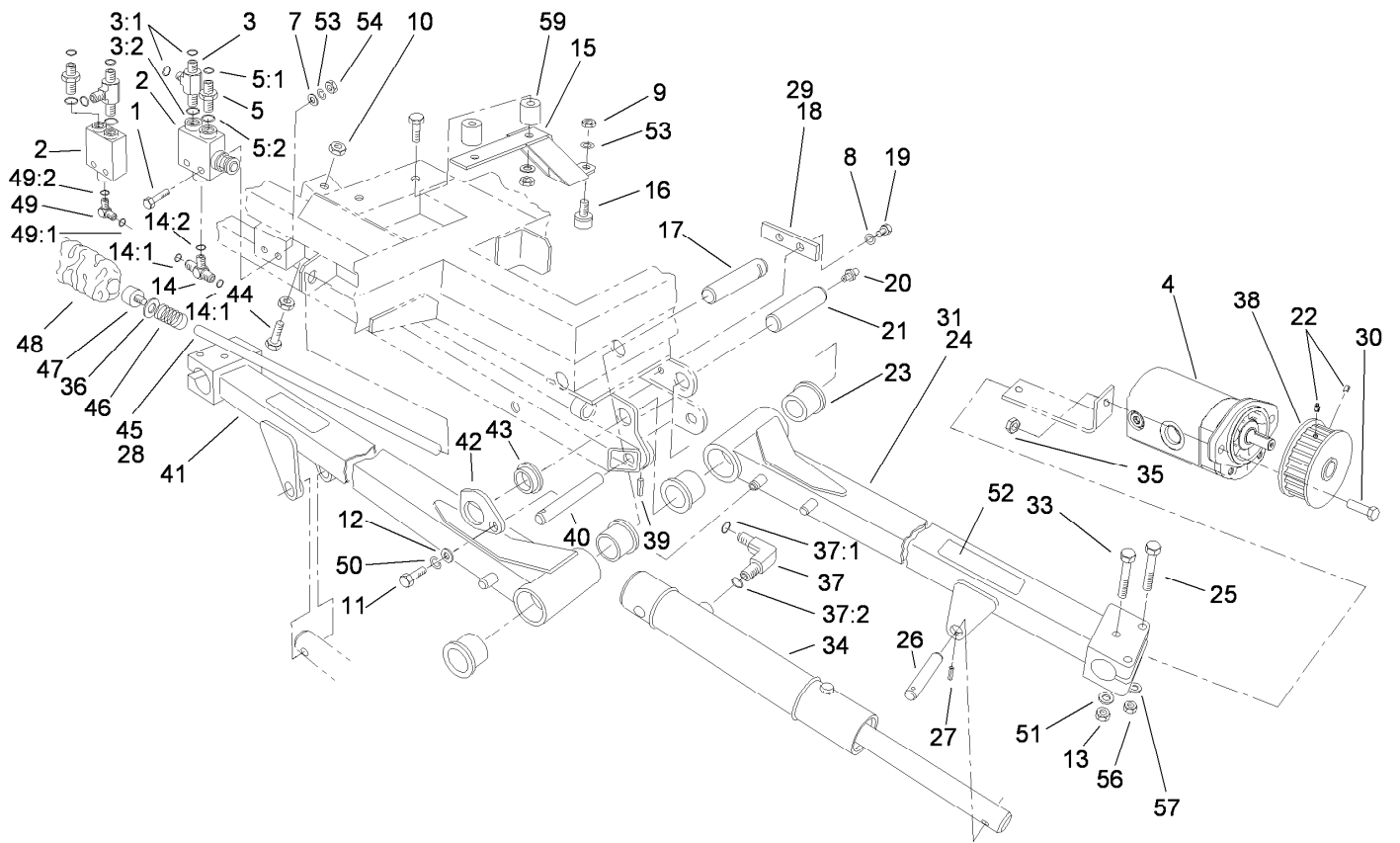
<i>Ref.</i>	<i>Part Number</i>	<i>Qty.</i>	<i>Description</i>
1	115-8013	1	Seal Kit
1:1		1	Seal-Dust ●
1:2		1	Seal-Bs ●
1:3		1	O-Ring ●
1:4		1	Ring-Backup ●
1:5		1	Plug-Zero Leak, Gold ●
2	76-0050	1	Ring-Retaining

● Not serviced separately



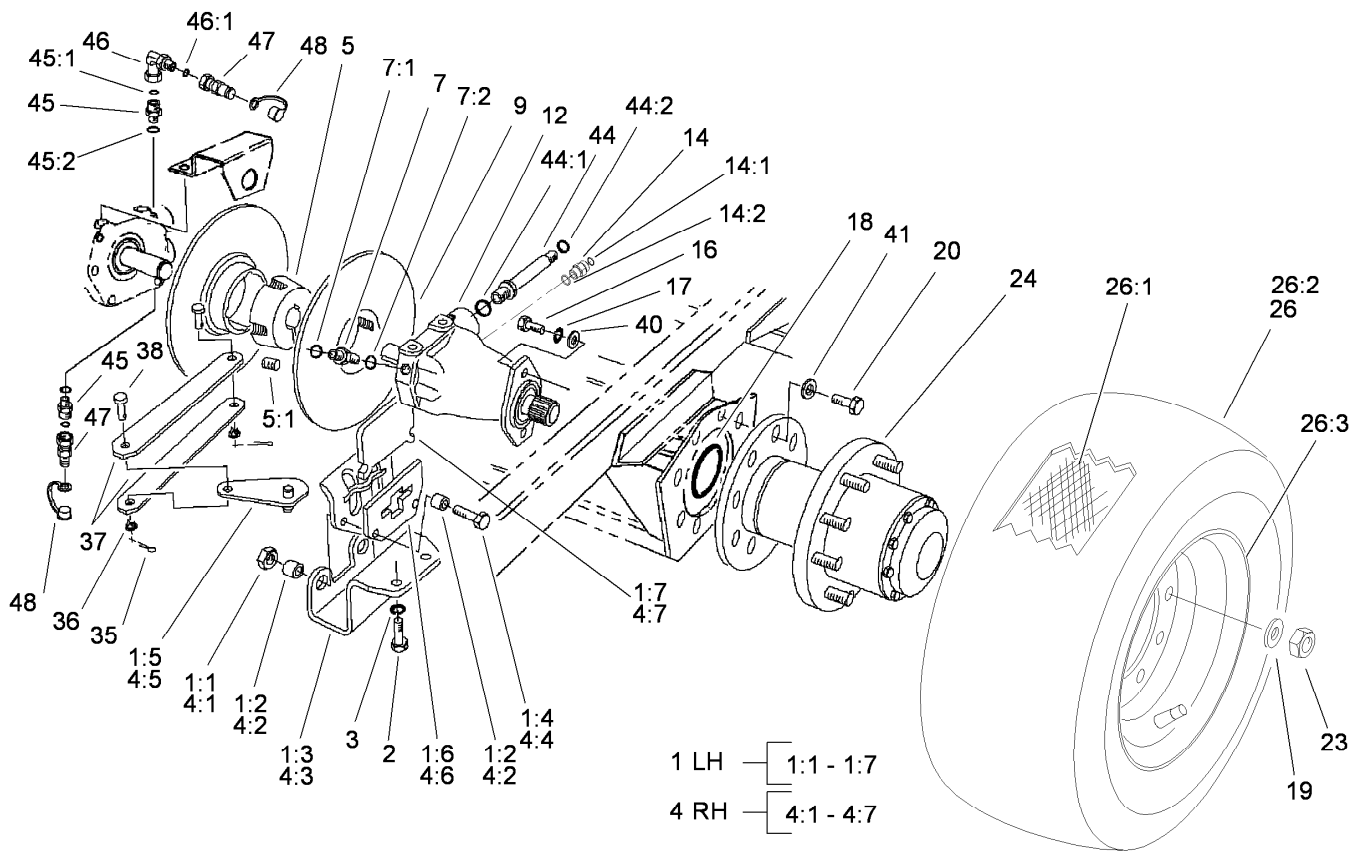
Rear Lift Arm and Shut-Off Assembly

Ref.	Part Number	Qty.	Description	Ref.	Part Number	Qty.	Description
1	322-12	4	Screw-HH	17	60-0090	1	Pin-Pivot
2	58-5460	2	Valve-Selector	18	60-0190	1	Strip
3	340-22	2	Fitting-HYD, Tee	19	33114-016	4	Screw-HH
3:1	237-65	2	O-Ring	20	302-5	3	Fitting-Grease
3:2	237-80	1	O-Ring	21	60-0100	2	Pin-Pivot
4	117-8965	3	Motor-Hydraulic	22	3246-17	4	Setscrew-HSH
5	340-7	2	Adapter	23	68-6480	6	Bushing-Flange
5:1	237-65	1	O-Ring	24	115-8048-01	1	No. 4 Lift Arm ASM
5:2	237-80	1	O-Ring	25	325-34	6	Screw-HH
7	3256-23	10	Washer-Flat	26	58-4380	3	Pin
8	42-9850	4	Washer-Lock, Spring	27	60-1280	3	Pin
9	33014-00	2	Nut-Hex	28	60-1350	1	Rod-Push
10	33016-00	2	Nut-Hex	29	60-1640	1	Strip
11	323-6	2	Screw-HH	30	322-7	3	Screw-HH
12	3256-3	2	Washer-Flat	31	115-8049-01	1	No. 5 Lift Arm ASM
13	3296-29	3	Nut-Lock, NI	33	323-14	3	Screw-HH
14	340-93	1	Tee-Adapter	34	115-8011	3	Cylinder-HYD
14:1	237-65	2	O-Ring	35	3296-48	3	Nut-Lock, NI
14:2	237-80	1	O-Ring	36	3256-45	2	Washer-Flat
15	117-8952-01	2	Tipper Bracket ASM	37	340-77	3	Fitting-HYD, 90 DEG
16	48-3280	2	Stop-Bump	37:1	237-22	1	O-Ring



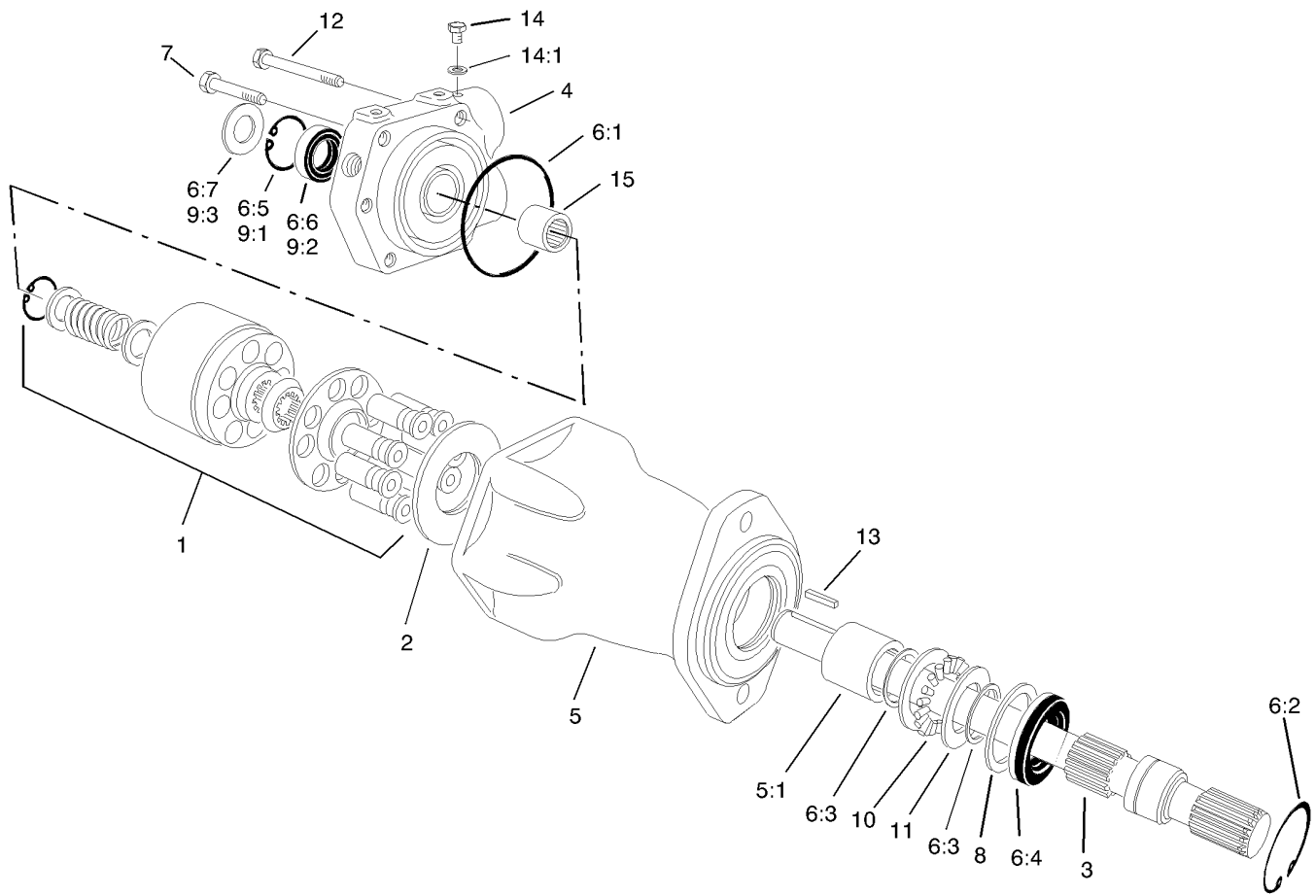
Rear Lift Arm and Shut-Off Assembly (continued)

<i>Ref.</i>	<i>Part Number</i>	<i>Qty.</i>	<i>Description</i>	<i>Ref.</i>	<i>Part Number</i>	<i>Qty.</i>	<i>Description</i>
37:2	237-42	1	O-Ring	49	340-17	1	Fitting-HYD, 90 DEG
38	47-7150	3	Pulley-Drive	49:1	237-65	1	O-Ring
39	32121-84	3	Pin-Spiral	49:2	237-80	1	O-Ring
40	58-2720	3	Pin	50	3253-5	2	Washer-Lock
41	115-8045-01	1	No. 1 Lift Arm ASM	51	3256-56	3	Washer-Flat
42	58-9210	2	Cam	52	93-7331	3	Decal-Warning
43	60-0080	2	Bushing	53	3253-4	6	Washer-Lock
44	53-5940	1	Screw	54	3217-6	4	Nut-Hex
45	60-1340	1	Rod-Push	56	3296-23	6	Nut-Lock, NI
46	58-3570	2	Spring	57	3256-26	6	Washer-Flat
47	117-8981	2	Bushing-Rubber	59	80-7590	4	Spacer
48	58-9630	2	Sleeve				



Front Wheel and Motor Assembly

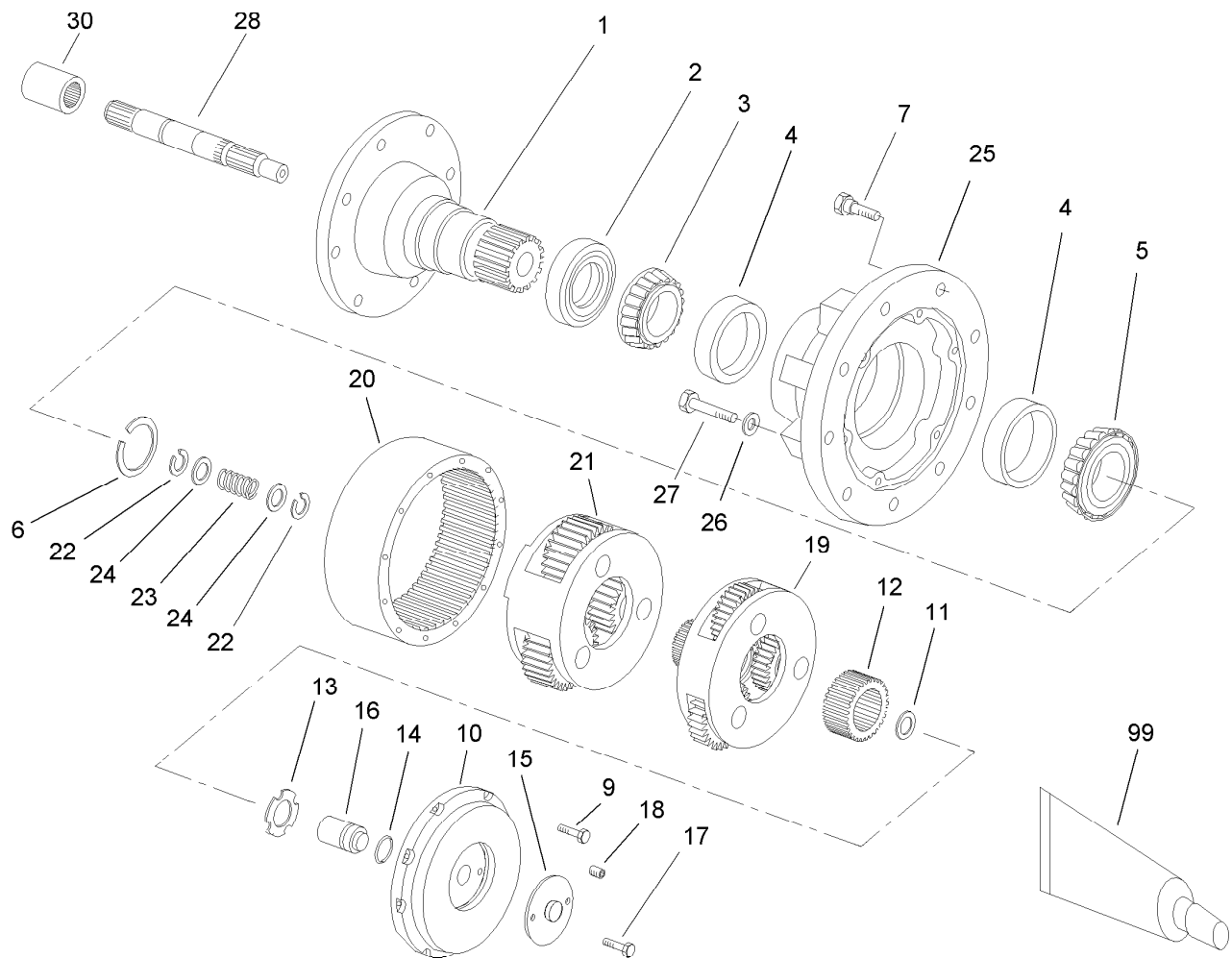
Ref.	Part Number	Qty.	Description	Ref.	Part Number	Qty.	Description
1	115-8005	1	LH Brake Caliper ASM	14:2	237-81	1	O-Ring
1:1	3296-39	4	Nut-Lock, NI	16	323-18	4	Screw-HH
1:2	58-3780	4	Tube-Space	17	3253-5	4	Washer-Lock
1:3	58-0110-03	1	Bracket-Caliper, Brake	18	353-949	2	O-Ring
1:4	323-20	2	Screw-HH	19	3253-7	18	Washer-Lock
1:5	29-1070	1	Lever ASM	20	327-3	16	Screw-HH
1:6	29-1060	1	Bracket-Secondary	23	3219-5	18	Nut-Hex
1:7	29-1080	2	Stator ASM	24	108-1434-03	2	Planetary Gear Drive ASM
2	322-3	4	Screw-HH	26	66-5660	2	Wheel And Tire ASM
3	3253-4	4	Washer-Lock	26:1	58-5620	1	Tube
4	115-8006	1	RH Brake Caliper ASM	26:2	63-4480	1	Tire (31X13.5-15) 4-Ply
4:1	3296-39	4	Nut-Lock, NI	26:3	58-5610	1	Rim
4:2	58-3780	4	Tube-Space	35	3272-6	4	Pin-Cotter
4:3	58-0110-03	1	Bracket-Caliper, Brake	36	60-1740	4	Nut
4:4	323-20	2	Screw-HH	37	58-2300	4	Link-Brake
4:5	29-1070	1	Lever ASM	38	283-67	4	Pin-Clevis
4:6	29-1060	1	Bracket-Secondary	40	3256-3	4	Washer-Flat
4:7	29-1080	2	Stator ASM	41	3253-8	16	Washer-Lock
5	23-1840	2	Bushing-Taperlock	44	92-6058	2	Fitting-HYD
5:1	60-6620	2	Screw-Set	44:1	237-81	1	O-Ring
7	340-2	2	Fitting-HYD, Straight	44:2	237-58	1	O-Ring
7:1	237-22	1	O-Ring	45	98-1282	2	Adapter-HYD, Straight
7:2	237-42	1	O-Ring	45:1	237-22	1	O-Ring
9	58-0070	2	Disc Brake ASM	45:2	237-118	1	O-Ring
12	58-5430	2	Piston Motor ASM	46	340-159	1	Fitting-HYD, 90 DEG
14	340-9	2	Fitting-Straight	46:1	237-22	2	O-Ring
14:1	237-58	1	O-Ring	47	86-5480	2	Nipple-Test
				48	354-79	2	Cap-Dust



Piston Motor Assembly No. 58-5430

Ref.	Part Number	Qty.	Description
1	59-8340	1	Rotating Kit
2	59-8350	1	Camplate
3	59-8360	1	Shaft
4	59-8270	1	Plate
5	59-8300	1	Housing
5:1	94-6363	1	Bearing
6	59-8390	1	Seal Kit
6:1	59-8260	1	Ring
6:2	32151-13	1	Ring-Retaining
6:3	32151-29	2	Ring-Retaining
6:4	59-8370	1	Seal
6:5	59-8320	1	Ring-Retaining
6:6	49-2640	1	Seal-Shaft
6:7	84-6440	1	Shield-Grass

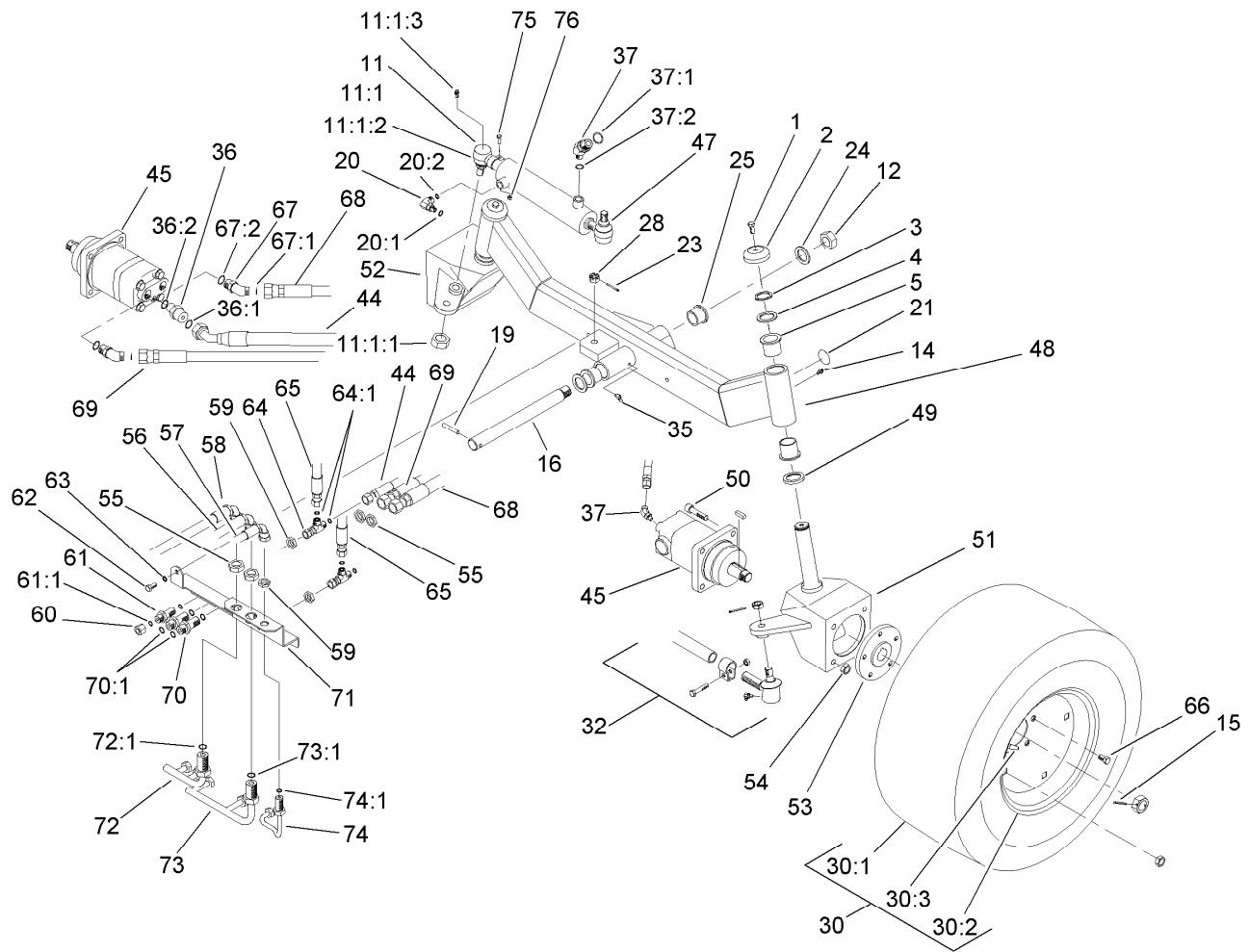
Ref.	Part Number	Qty.	Description
7	59-8290	3	Capscrew
8	33-3720	1	Washer
9	66-5840	1	Seal Kit
9:1	59-8320	1	Ring-Retaining
9:2	49-2640	1	Seal-Shaft
9:3	84-6440	1	Shield-Grass
10	252-66	1	Bearing-Thrust
11	252-71	1	Washer-Thrust
12	59-8280	3	Capscrew
13	59-8380	1	Key
14	353-948	2	Fitting-Plug
14:1	237-118	1	O-Ring
15	94-6368	1	Bearing



Drive Gear Assembly No. 108-1434-03

Ref.	Part Number	Qty.	Description
1	60-3820	1	Spindle
2	60-3830	1	Seal
3	60-3880	1	Cone
4	60-3850	1	Cup
5	60-3840	1	Cone
6	62-6450	1	Retaining Ring Kit
7	107-4341	9	Bolt-Wheel
9	98-8270	8	Bolt
10	107-4345	1	Cover
11	108-1445	1	Ring-Retaining
12	62-6430	1	Gear
13	60-3990	1	Washer
14	107-4346	1	O-Ring
15	60-4060	1	Cover
16	107-4347	1	Plunger

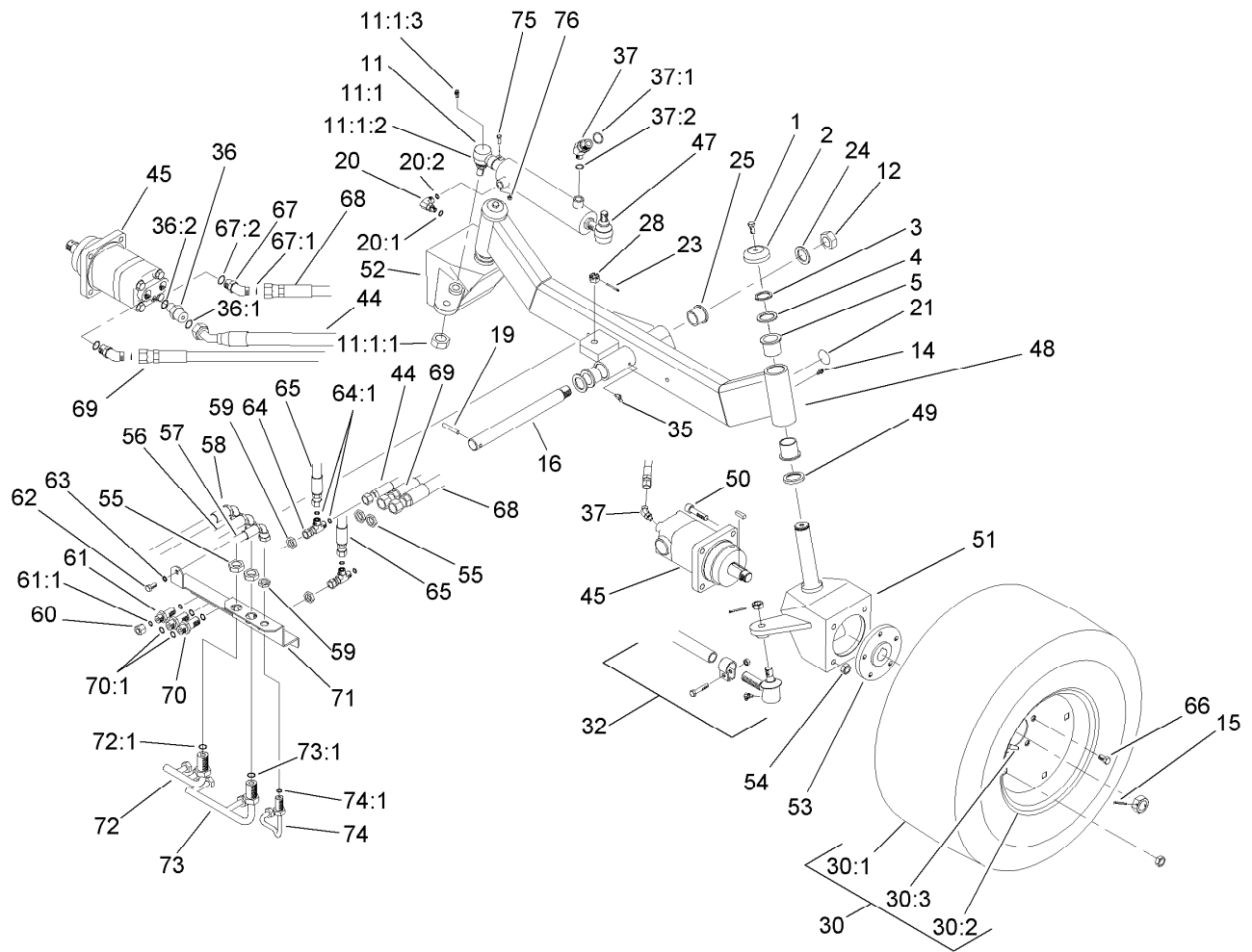
Ref.	Part Number	Qty.	Description
17	322-1	2	Screw-HH
18	60-4040	1	Plug
19	108-1443	1	Primary Carrier ASM
20	60-3900	1	Gear
21	108-1444	1	Secondary Carrier ASM
22	82-8700	2	Ring
23	60-3950	1	Spring
24	60-3940	2	Washer
25	107-4342	1	Hub
26	60-3910	12	Washer
27	60-3890	12	Bolt
28	107-4340	1	Shaft-Input
30	60-3800	1	Coupling
99	62-6460	1	Sealant-R



Rear Axle Assembly

Ref.	Part Number	Qty.	Description	Ref.	Part Number	Qty.	Description
1	3234-12	2	Screw-HHF	30:2	217-116	1	Wheel
2	69-8890	2	Cap-Spindle	30:3	232-27	1	Stem-Valve
3	32151-10	2	Ring-Snap	32	110-9719-03	1	Tie Rod ASM
4	256-304	2	Washer-Thrust	35	302-11	1	Fitting-Lube, 45 DEG
5	69-6470	4	Bushing-Caster	36	340-88	1	Adapter
11	106-6895-03	1	Ball Joint ASM	36:1	237-22	1	O-Ring
11:1		1	Joint-Ball ●	36:2	237-78	1	O-Ring
11:1:1	32136-13	1	Nut-SHH	37	340-54	2	Elbow-45 DEG
11:1:2	106-6896	1	Seal	37:1	237-22	1	O-Ring
11:1:3	302-5	1	Fitting-Grease	37:2	237-78	1	O-Ring
12	3296-49	1	Nut-Lock, NI	44	104-5202	2	Hose ASM
14	302-5	2	Fitting-Grease	45	104-5233	2	Motor-Wheel
15	3272-13	2	Pin-Cotter	47	115-8015	1	Cylinder-Hydraulic
16	82-9210	1	Shaft-Pivot	48	92-4755-03	1	Rear Axle ASM
19	60-3670	1	Pin	49	86-6560	2	Washer-Thrust
20	340-97	1	Fitting-HYD, 90 DEG	50	3274-5	8	Screw-HSH
20:1	237-22	1	O-Ring	51	92-4779-03	1	LH Motor Housing ASM
20:2	237-78	1	O-Ring	52	92-4787-03	1	RH Motor Housing ASM
21	58-6520	2	Decal-Grease	53	92-4749-03	2	Hub-Wheel
23	3272-12	4	Pin-Cotter	54	3296-23	8	Nut-Lock, NI
24	48-6660	2	Washer	55	340-74	6	Nut-Lock, Bulkhead
25	48-6640	2	Bearing	56	92-5698	1	Hose ASM
28	32136-13	2	Nut-SHH	57	92-5688	1	Hose ASM
30	69-9870	2	Wide Wheel And 6-Ply Tire ASM	58	92-5686	1	Hose ASM
30:1	69-9880	1	Tire (23X10.5-12) 6-Ply	59	340-70	3	Nut-Lock
				60	340-117	1	Cap

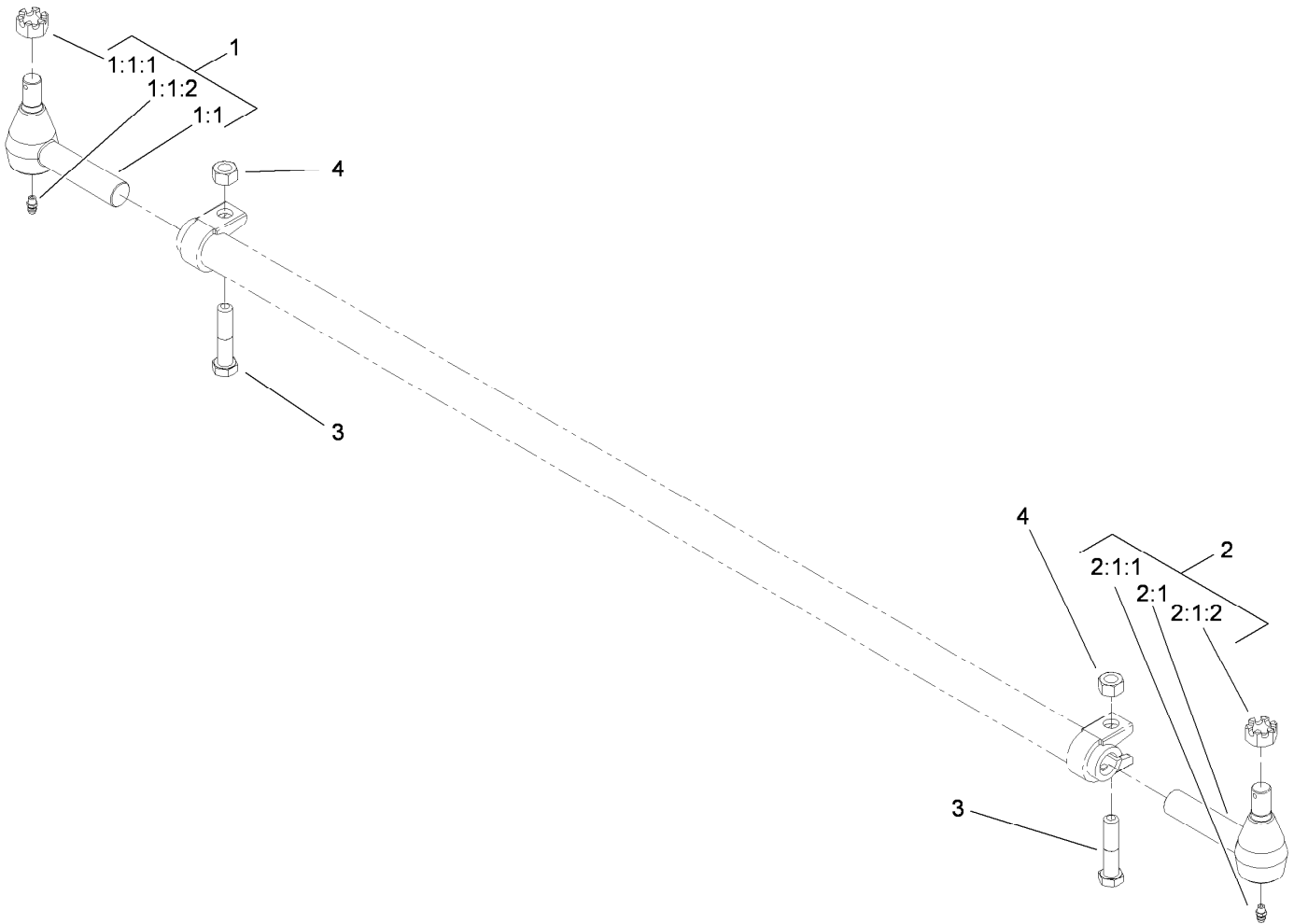
● Not serviced separately



Rear Axle Assembly (continued)

<i>Ref.</i>	<i>Part Number</i>	<i>Qty.</i>	<i>Description</i>	<i>Ref.</i>	<i>Part Number</i>	<i>Qty.</i>	<i>Description</i>
61	340-71	2	Fitting-Straight, Bulkhead	70	340-76	4	Fitting-Bulkhead Union, Straight
61:1	237-22	2	O-Ring	70:1	237-65	2	O-Ring
62	323-4	2	Screw-HH	71	94-8277-03	1	Bracket-Bulkhead
63	3253-21	2	Washer-Lock	72	94-8275	1	Inner Tube ASM
64	340-115	2	Fitting-Tee	72:1	237-65	1	O-Ring
64:1	237-22	2	O-Ring	73	94-8276	1	Outer Tube ASM
65	92-5665	1	Hose ASM	73:1	237-65	1	O-Ring
66	83-2720	10	Bolt-Lug	74	94-8278	1	Case Drain Tube ASM
67	340-14	4	Fitting-HYD, 45 DEG	74:1	237-22	1	O-Ring
67:1	237-65	1	O-Ring	75	3210-7	1	Screw-HH
67:2	237-80	1	O-Ring	76	32152-5	1	Nut-Lock, Cone
68	94-8271	2	Traction Hose ASM				
69	94-8272	2	Traction Hose ASM				

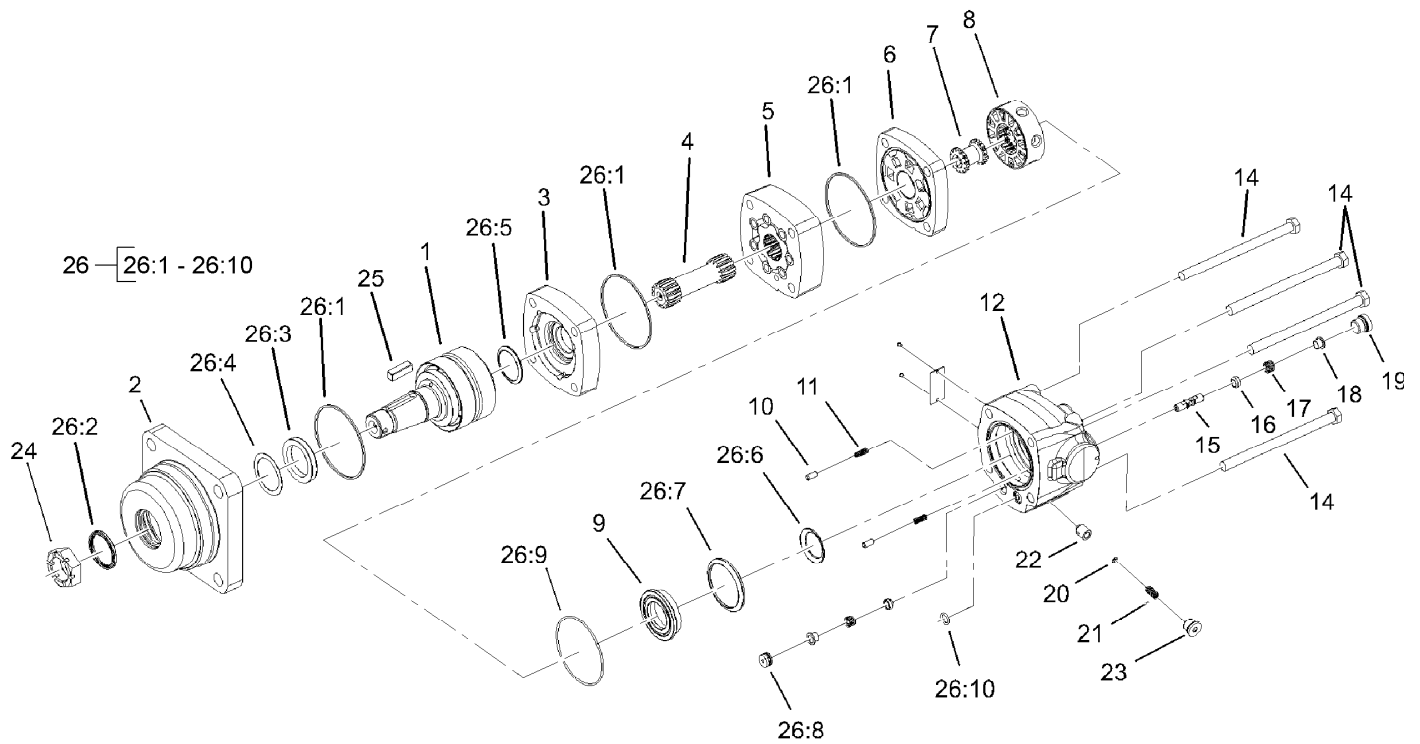
● Not serviced separately



Tie Rod Assembly No. 110-9719-03

<i>Ref.</i>	<i>Part Number</i>	<i>Qty.</i>	<i>Description</i>
1	110-6141-03	1	RH Tie Rod End ASM
1:1		1	Rod End-Tie, RH ●
1:1:1	302-5	1	Fitting-Grease
1:1:2	32136-2	1	Nut-SHH
2	110-6142-03	1	LH Tie Rod End ASM
2:1		1	Rod End-Tie, LH ●
2:1:1	302-5	1	Fitting-Grease
2:1:2	32136-2	1	Nut-SHH
3	44-2200	2	Screw-Blade
4	32153-7	2	Nut-Lock

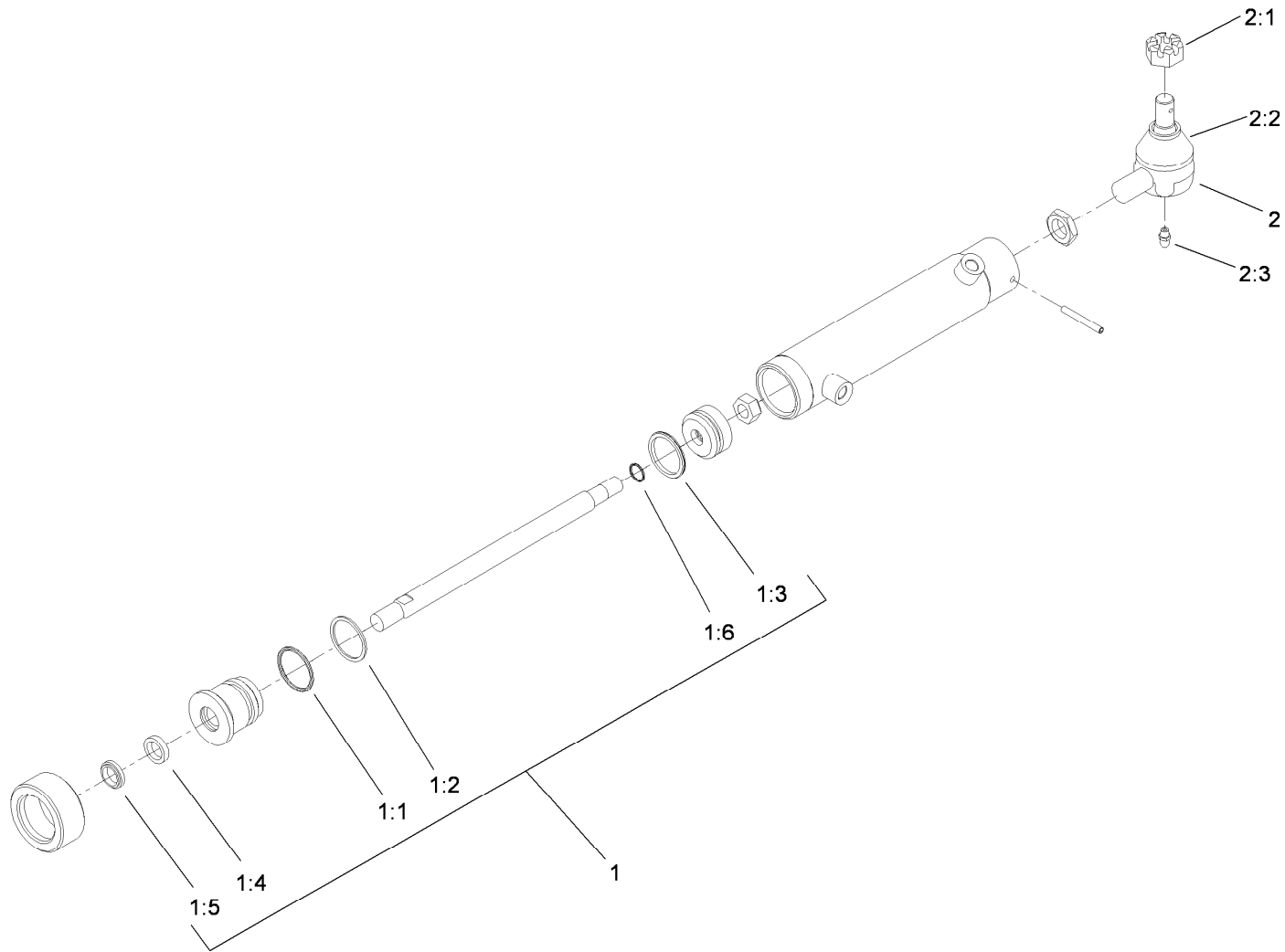
● Not serviced separately



Hydraulic Motor Assembly No. 104-5233

Ref.	Part Number	Qty.	Description	Ref.	Part Number	Qty.	Description
1	56-6860	1	Shaft ASM	20	105-9305	1	Shim
2	56-6850	1	Housing-Bearing	21	105-9306	1	Spring
3		1	Plate-Wear ●	22	105-9307	1	Poppet
4	105-8145	1	Drive	23	105-9308	1	Plug Sub ASM
5	105-8146	1	Geroter ASM	24	99-3139	1	Nut
6		1	Plate-Valve ●	25	11-5790	1	Key-Square
7	36-6260	1	Drive-Valve	26	105-9309	1	Seal Kit
8	56-6830	1	Valve	26:1		3	O-Ring ●
9	105-8147	1	Plate-Balancing	26:2		1	Seal-Shaft, Exclusion ●
10	105-8148	1	Pin	26:3		1	Seal-Shaft ●
11	33-3410	1	Spring	26:4		1	Ring-Backup ●
12		1	Housing-Valve ●	26:5		1	Seal-Face, Shaft ●
14	57-6030	4	Capscrew	26:6		1	Seal-Face, Inner ●
15	105-9300	1	Piston	26:7		1	Seal-Face, Outer ●
16	105-9301	2	Poppet	26:8		1	Plug ●
17	105-9302	2	Spring	26:9		1	O-Ring ●
18	105-9303	2	Dashpot	26:10		1	O-Ring ●
19	105-9304	1	Plug Sub ASM				

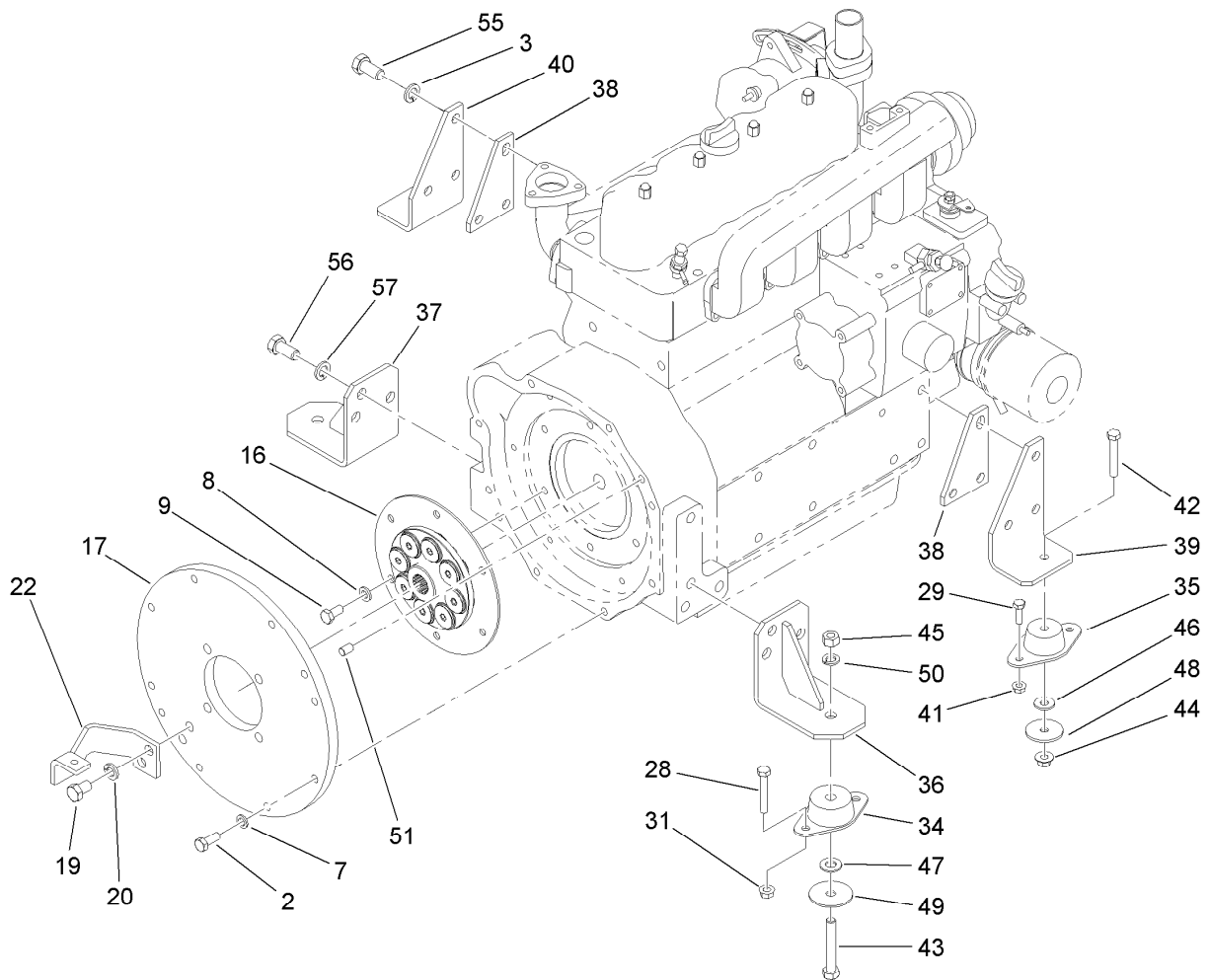
● Not serviced separately



Hydraulic Cylinder Assembly No. 115-8014

<i>Ref.</i>	<i>Part Number</i>	<i>Qty.</i>	<i>Description</i>
1	117-8980	1	Seal Kit
1:1		1	O-Ring ●
1:2		1	Backup ●
1:3		1	Bp Seal ●
1:4		1	Bs Seal ●
1:5		1	Dust Seal ●
1:6		1	O-Ring ●
2	82-5730	1	End-Rod, Tie
2:1	105-7941	1	Nut-Hex, Slotted
2:2	105-7835	1	Seal
2:3	302-5	1	Fitting-Grease

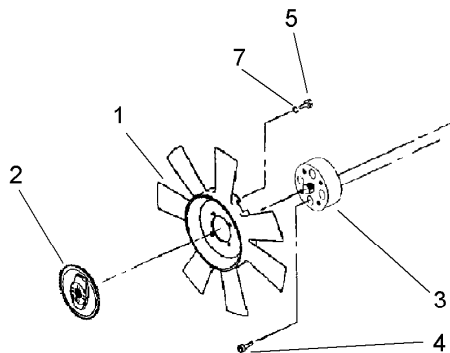
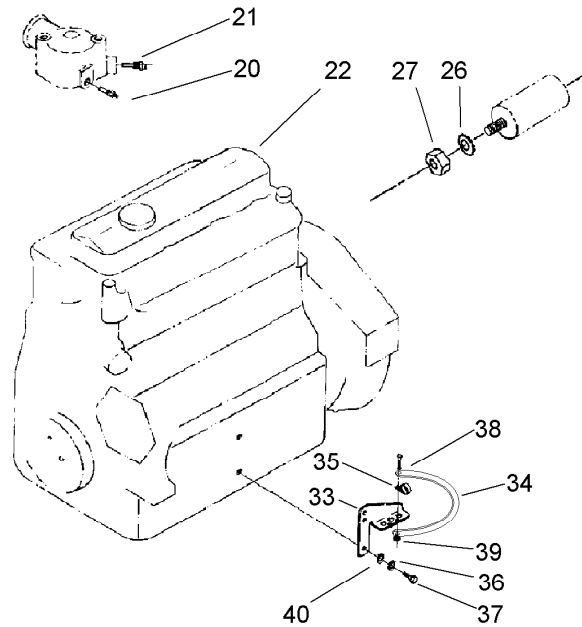
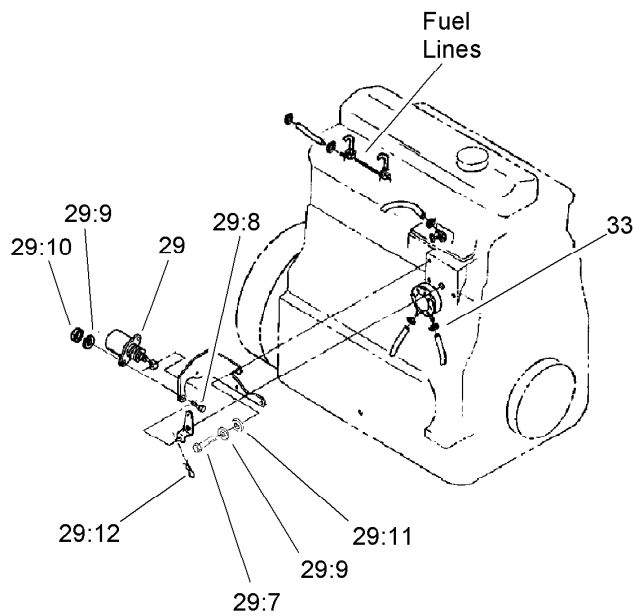
● Not serviced separately



Engine Installation Assembly

<i>Ref.</i>	<i>Part Number</i>	<i>Qty.</i>	<i>Description</i>
2	56-2140	8	Screw-HH
3	48-8070	6	Washer-Lock
7	48-9590	8	Washer-Lock
8	107-1413	6	Washer-Hardened
9	63-7790	6	Screw-Cap
16	110-6179	1	Coupler-Flywheel
17	112-6503-03	1	Plate-Adapter, Pump
19	3213-20	2	Screw-HH
20	3253-7	2	Washer-Lock
22	98-7066-03	1	Bracket-Damper
28	323-11	4	Screw-HH
29	322-5	4	Screw-HH
31	32128-21	4	Nut-HF
34	98-3024	2	Mount-Engine
35	83-1030	2	Mount-Engine
36	98-1207-03	1	Bracket-Front, LH
37	98-1206-03	1	Bracket-Front, RH

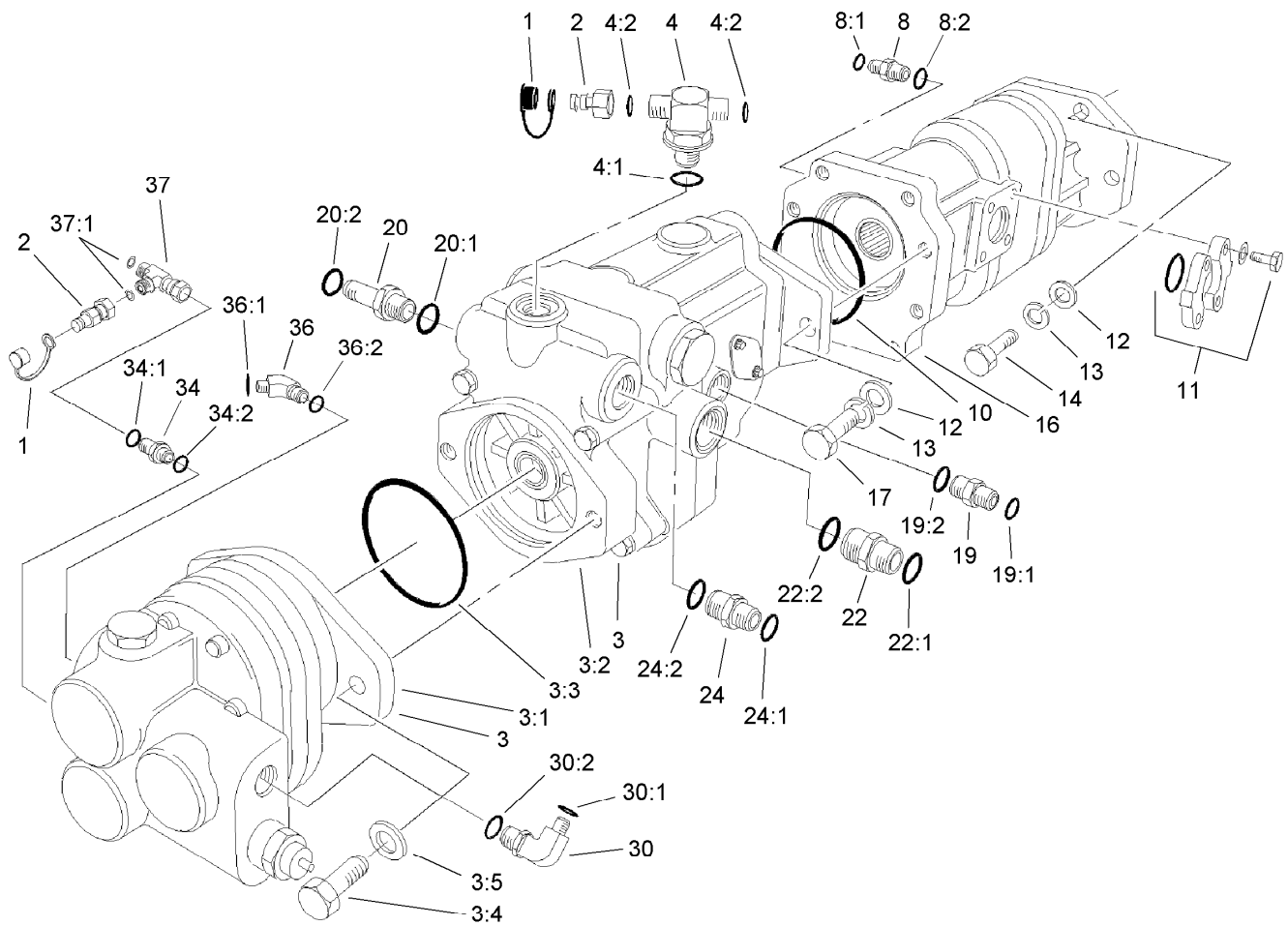
<i>Ref.</i>	<i>Part Number</i>	<i>Qty.</i>	<i>Description</i>
38	98-1200-03	2	Spacer
39	98-1204-03	1	Bracket-Engine, LH Rear
40	98-1205-03	1	Bracket-Engine, RH Rear
41	32128-20	4	Nut-HF
42	323-11	2	Screw-HH
43	33116-070	2	Screw-HH
44	32128-43	2	Nut-Flange
45	33016-00	2	Nut-Hex
46	80-6990	2	Washer-Hardened
47	3256-26	2	Washer-Flat
48	63-7400	2	Washer-Rebound
49	87-5100	2	Washer-Snubbing
50	43-5940	2	Washer-Lock, Spring
51	98-1212	2	Pin-Plate, Pump
55	43-3180	6	Screw-HH
56	43-3210	6	Screw-HH
57	43-5950	6	Washer-Lock, Spring



Engine Assembly

Ref.	Part Number	Qty.	Description
1	104-5269	1	Fan
2	114-3989	1	Fan Clutch ASM
3	98-1242	1	Adapter-Fan
4	52-6290	4	Screw-HSH
5	322-2	8	Screw-HH
7	3253-4	8	Washer-Lock
20	98-3824	1	Switch-Temp
21	98-3825	1	Switch-Temp
22	114-5095	1	Engine-Kubota
26	3255-8	1	Washer-Lock
27	33014-00	1	Nut-Hex
29	98-3817	1	Solenoid Kit
29:7	33113-025	3	Screw-HH

Ref.	Part Number	Qty.	Description
29:8	33113-016	2	Screw-HH
29:9	48-8020	5	Washer-Spring
29:10	33013-00	2	Nut-Hex
29:11	33093-00	3	Washer-Flat
29:12	3272-2	1	Pin-Cotter
33	98-1293-03	1	Bracket-Line
34	98-3883	2	Clamp-Wire
35	3256-61	4	Washer-Flat
36	43-5940	2	Washer-Lock, Spring
37	42-9250	2	Bolt
38	32105-13	2	Screw-HWH
39	3296-2	2	Nut-Lock, NI
40	3256-26	2	Washer-Flat

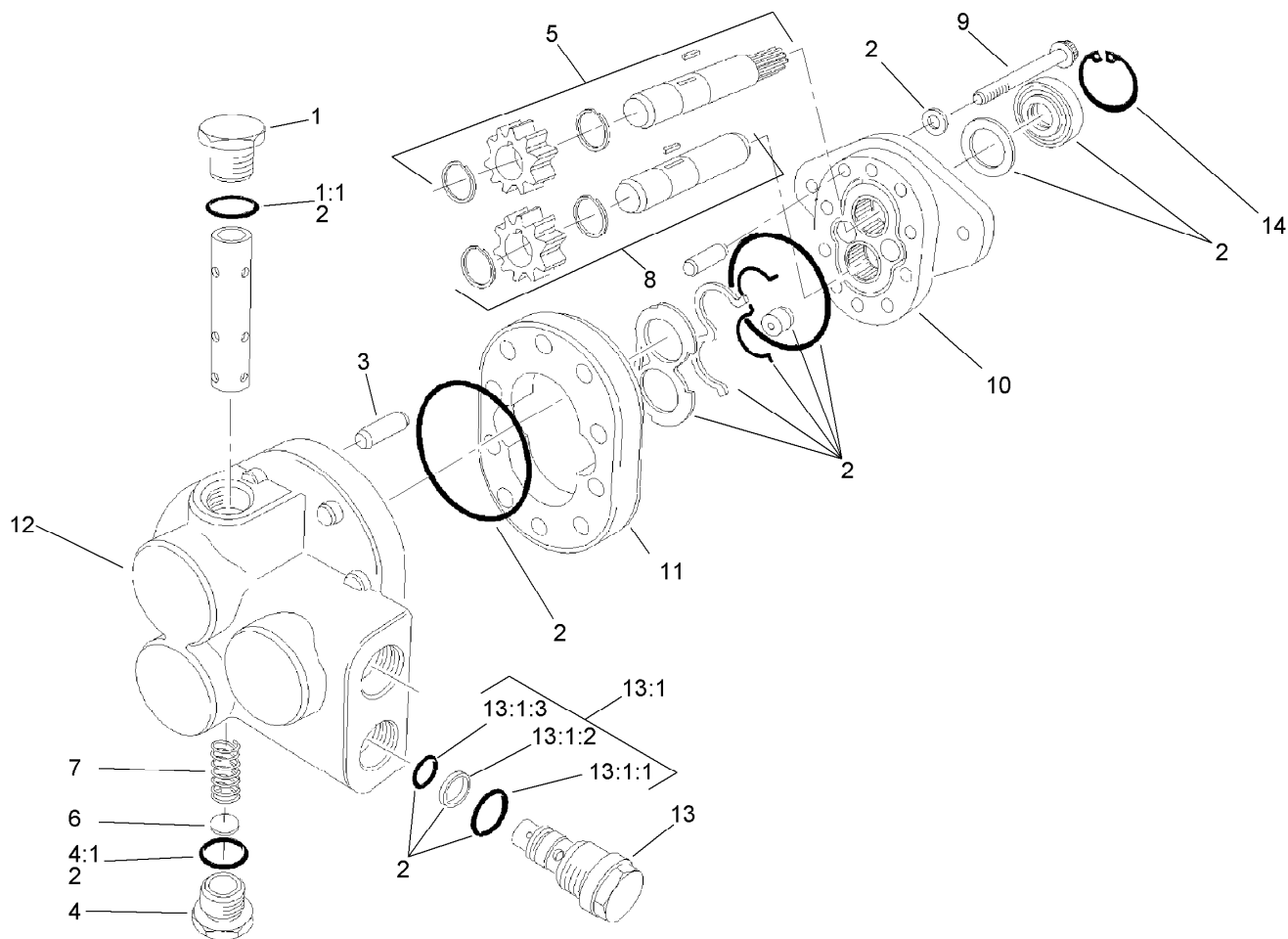


Hydraulic Pump Assembly

Ref.	Part Number	Qty.	Description
1	354-79	2	Cap-Dust
2	86-5480	2	Nipple-Test
3		1	Tandem Pump ASM ●
3:1	99-6495	1	Gear Pump ASM
3:2	99-6494	1	Variable Piston Pump ASM
3:3	60-3520	1	O-Ring
3:4	60-3530	2	Bolt
3:5	60-3540	2	Washer
4	92-4799	1	Fitting-Tee, HYD
4:1	237-79	1	O-Ring
4:2	237-22	2	O-Ring
8	340-8	1	Adapter
8:1	237-65	1	O-Ring
8:2	237-81	1	O-Ring
10	59-8550	1	O Ring
11	340-62	1	Flange Kit
12	87-7270	6	Washer-Thrust
13	3253-7	6	Washer-Lock
14	3213-2	4	Screw-HH
16	86-6000-01	1	Pump
17	325-5	2	Screw-HH
19	340-2	1	Fitting-HYD, Straight
19:1	237-22	1	O-Ring

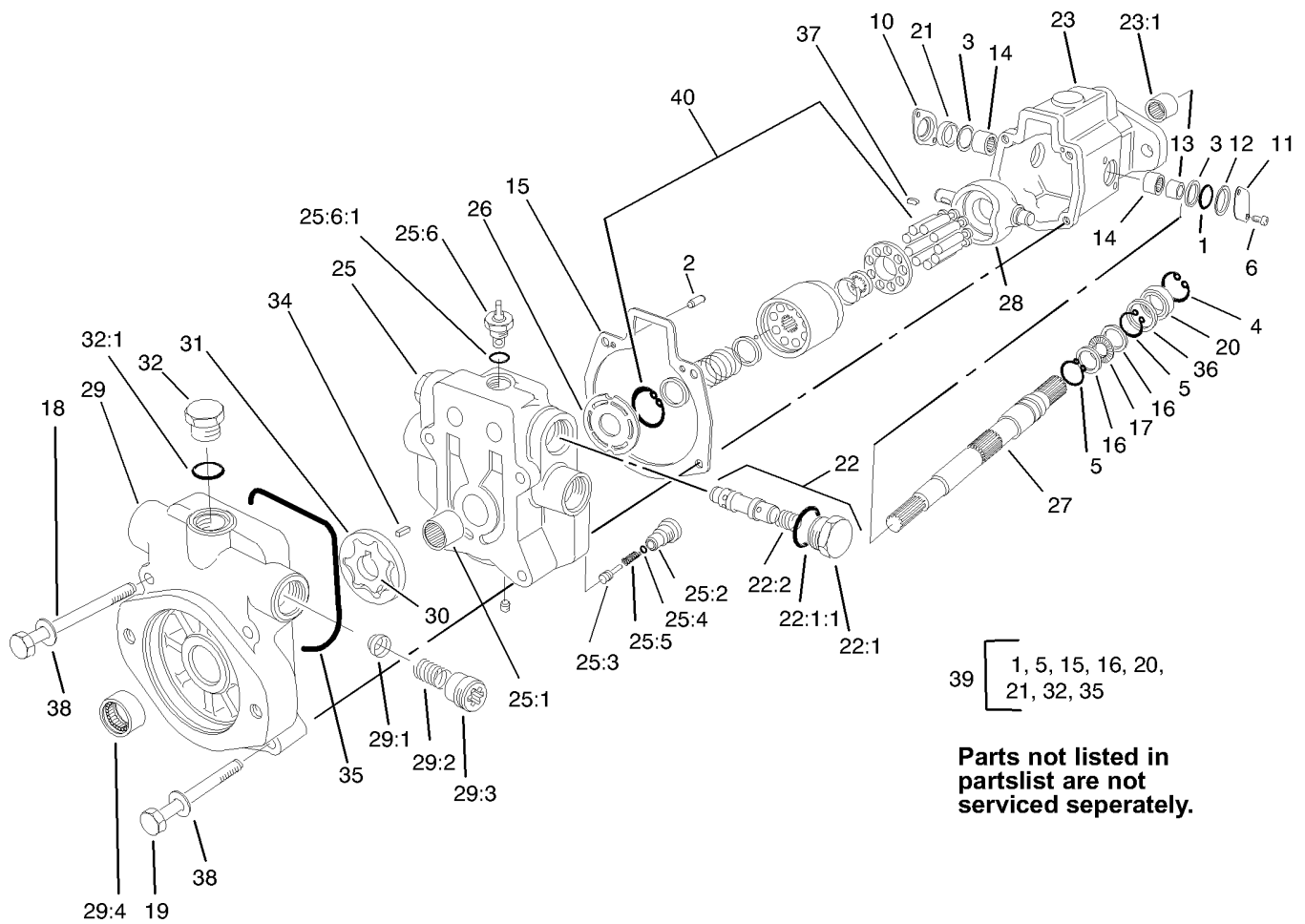
Ref.	Part Number	Qty.	Description
19:2	237-42	1	O-Ring
20	92-6058	1	Fitting-HYD
20:1	237-81	1	O-Ring
20:2	237-58	1	O-Ring
22	340-9	1	Fitting-Straight
22:1	237-58	1	O-Ring
22:2	237-81	1	O-Ring
24	340-4	1	Fitting-HYD, Straight
24:1	237-30	1	O-Ring
24:2	237-79	1	O-Ring
30	340-15	1	Fitting-HYD, 90 DEG
30:1	237-58	1	O-Ring
30:2	237-146	1	O-Ring
34	340-3	1	Adapter
34:1	237-22	1	O-Ring
34:2	237-79	1	O-Ring
36	340-89	1	Fitting-HYD, 45 DEG
36:1	237-30	1	O-Ring
36:2	237-80	1	O-Ring
37	340-115	1	Fitting-Tee
37:1	237-22	2	O-Ring

● Not serviced separately



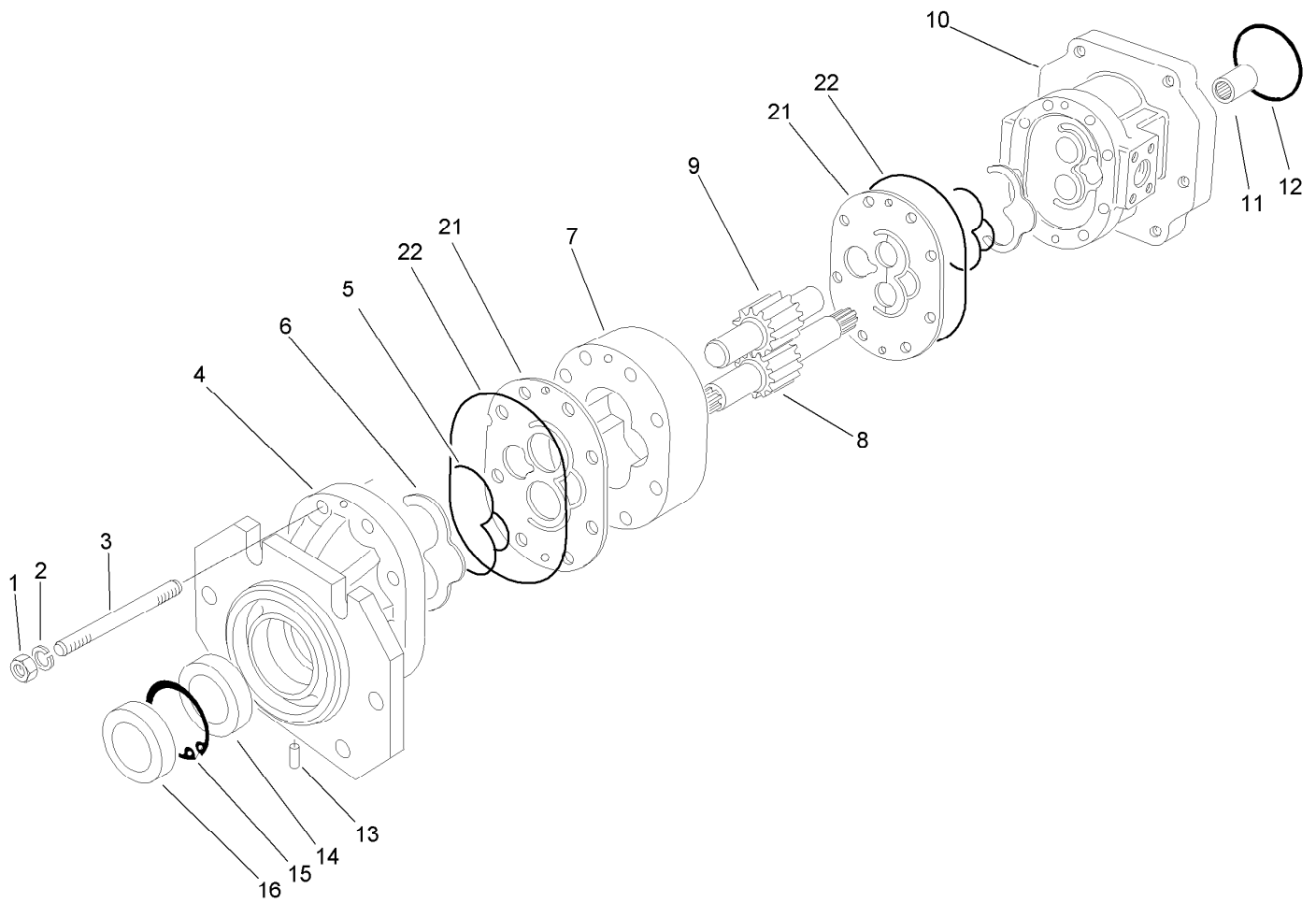
Gear Pump Assembly No. 99-6495

<i>Ref.</i>	<i>Part Number</i>	<i>Qty.</i>	<i>Description</i>
1	60-5860	1	Plug
1:1	60-5720	1	O-Ring
2	95-2109	1	Seal Kit
3	60-5760	1	Pin
4	60-5710	1	Plug
4:1	60-5720	1	O-Ring
5	99-8591	1	Drive Gear ASM
6	60-5730	1	Disc
7	60-5820	1	Spring
8	99-8592	1	Idler Gear ASM
9	42-3140	8	Capscrew
10	95-4362	1	Plate-Front
11	99-8589	1	Body ASM
12	99-8590	1	Plate-Back
13	92-9253	1	Valve-Relief
13:1	92-9257	1	Seal Kit
13:1:1	92-9255	1	O-Ring
13:1:2	92-9256	1	Washer-Backup
13:1:3	92-9254	1	O-Ring
14	59-8320	1	Ring-Retaining



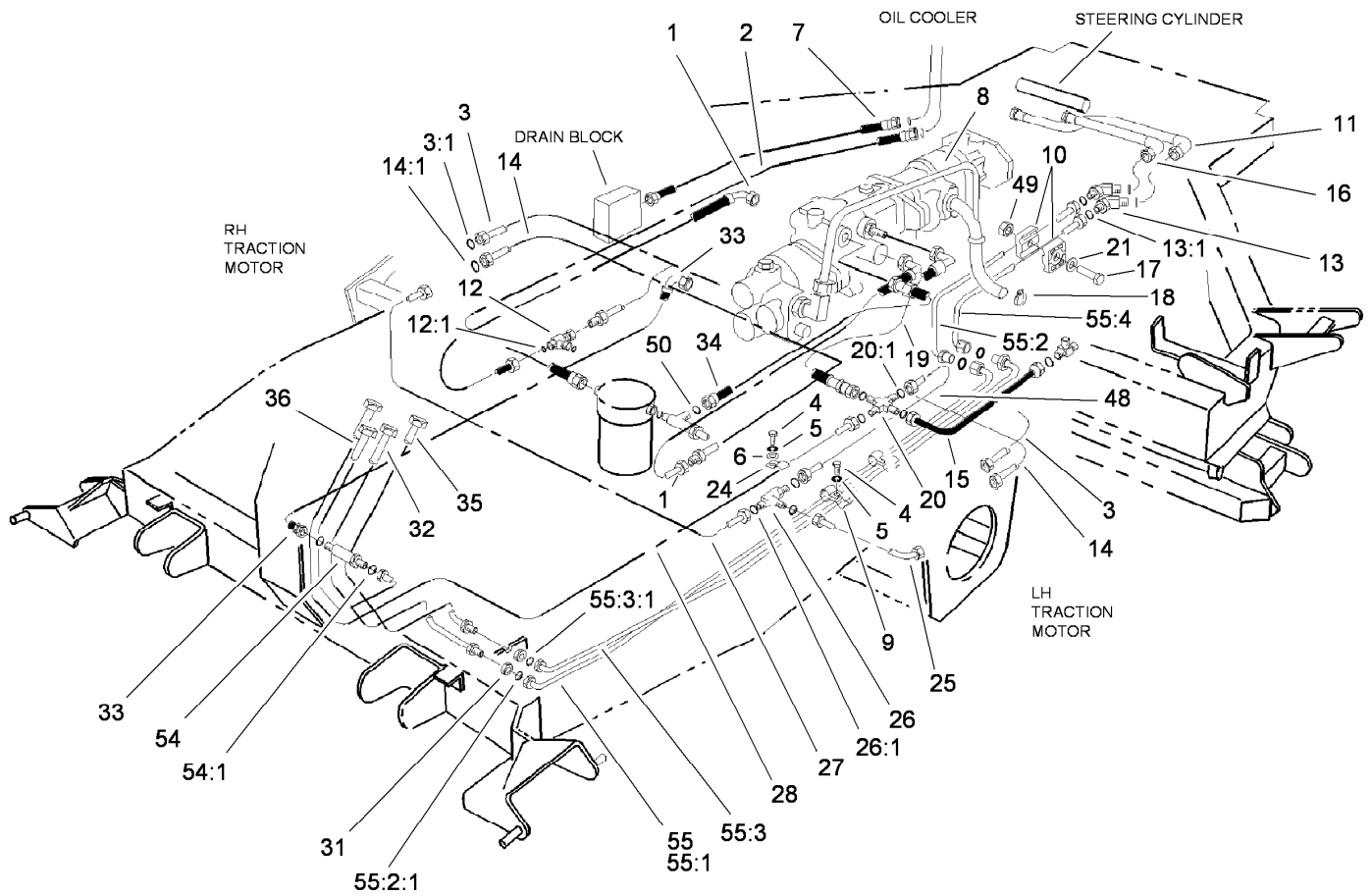
Variable Piston Pump Assembly No. 99-6494

Ref.	Part Number	Qty.	Description	Ref.	Part Number	Qty.	Description
1	60-6190	1	O-Ring	25:2	60-6060	1	Cartridge
2	95-6050	2	Pin-Dowel	25:3	60-6070	1	Poppet
3	60-6250	2	Washer	25:4	60-6080	1	Ring
4	60-6260	1	Ring	25:5	60-6090	1	Spring
5	60-6270	2	Ring	25:6	117-8987	1	Tow Valve ASM
6	60-6330	4	Screw	25:6:1	60-6290	1	O-Ring
10	60-6120	1	Cover-Seal	26	99-8704	1	Plate-Valve
11	60-6010	1	Cover-Trunnion	27	60-6140	1	Shaft
12	99-8702	1	O-Ring Cover	28	60-6020	1	Camplate
13	60-5990	1	Race	29	60-6200	1	Adapter
14	60-6110	2	Bearing	29:1	33-4990	1	Poppet
15	60-6130	1	Gasket	29:2	39-2140	1	Spring
16	76-6950	2	Race-Thrust	29:3	39-2130	1	Retainer-Spring
17	76-6960	1	Bearing-Thrust	29:4	60-6150	1	Bearing
18	60-6230	2	Screw-HH	30	99-8706	1	Gerotor-Inner
19	60-6220	2	Screw-HH	31	99-8707	1	Gerotor-Outer
20	105-3331	1	Seal-Shaft	32	60-6280	1	Plug
21	104-4861	1	Seal-Shaft	32:1	60-6290	1	O-Ring
22	68-6460	2	Relief Valve Kit	34	60-6320	1	Key
22:1	70-1240	1	Plug ASM	35	99-8708	1	O-Ring
22:1:1	60-5980	1	O-Ring	36	60-6240	1	Washer
22:2	76-6200	1	Spring	37	60-6310	1	Key
23	99-8703	1	Housing ASM	38	3256-73	4	Washer-Flat
23:1	63-4390	1	Bearing-Needle	39	95-6056	1	Seal Kit
25	99-8705	1	Backplate ASM	40	99-8701	1	Rotating Kit
25:1	60-6050	1	Bearing				



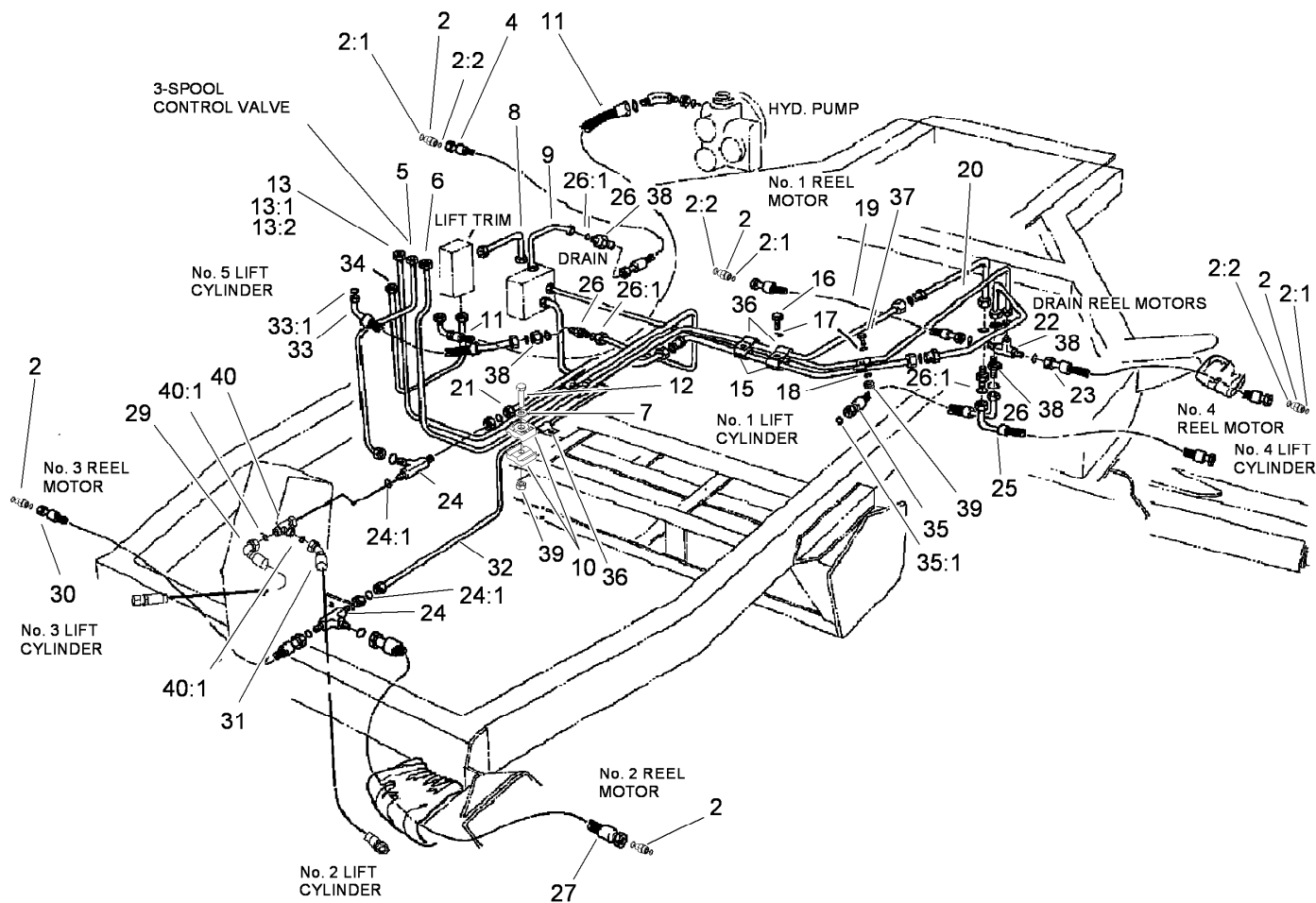
Pump Assembly No. 86-6000-01

<i>Ref.</i>	<i>Part Number</i>	<i>Qty.</i>	<i>Description</i>
1	59-7580	8	Nut
2	59-7590	8	Washer-Lock
3	59-7970	8	Stud
4	69-2060	1	Shaft End Cover ASM
5	59-7990	2	Seal
6	59-8470	2	Retainer
7	69-2080	1	Section-Center
8	59-8500	1	Gear
9	59-8600	1	Gear
10	86-6030	1	Section-Port, Rear
11	59-8540	1	Coupling
12	69-2200	1	O-Ring
13	86-6050	1	Plug
14	59-8570	1	Seal
15	59-8580	1	Ring-Retaining
16	59-8590	1	Seal
21	86-6070	2	Plate-Rear
22	86-6080	2	O-Ring



Hydraulic Circuit - Steering and Traction Assembly

Ref.	Part Number	Qty.	Description	Ref.	Part Number	Qty.	Description
1	58-5860	2	Hose ASM	25	58-4790	1	Tube-Steel
2	75-8200	1	Hose-Filter / Cooler	26	340-68	1	Fitting-Tee, Bulkhead
3	92-5677	1	Tube-Traction	26:1	237-22	3	O-Ring
3:1	237-58	1	O-Ring	27	58-4860	1	Tube-Steel
4	33113-025	3	Screw-HH	28	74-2820	1	Tube ASM
5	43-5930	3	Washer-Lock, Spring	31	340-70	6	Nut-Lock
6	33093-00	3	Washer-Flat	32	74-2780	1	Tube ASM
7	75-8210	1	Hose-Manifold / Cooler	33	58-5720	1	Hose ASM
8	60-1900	1	Tube	34	58-5870	1	Hose ASM
9	58-3880	2	Clamp-Double	35	74-2810	1	Tube ASM
10	56-7973	2	Clamp-Tube	36	74-2790	1	Tube ASM
11	98-7415	1	Hose-HYD	48	58-4710	1	Tube-Steel
12	92-4748	2	Adapter-HYD, Tee	49	3296-29	1	Nut-Lock, NI
12:1	237-58	2	O-Ring	50	237-30	1	O-Ring
13	340-69	2	Elbow-Bulkhead, 45 DEG	54	340-71	1	Fitting-Straight, Bulkhead
13:1	237-22	2	O-Ring	54:1	237-22	2	O-Ring
14	92-4726	1	Tube-Traction	55	105-3333	1	HYD Tube Kit
14:1	237-58	1	O-Ring	55:1	105-3318	1	Tube-HYD, LH Front Steering
15	92-5694	1	HYD Hose ASM	55:2	105-3319	1	Tube-HYD, LH Rear Steering
16	98-7416	1	Hose-HYD	55:2:1	237-22	1	O-Ring
17	322-6	1	Screw-HH	55:3	105-3320	1	Tube-HYD, RH Front Steering
18	2412-92	2	Clamp-Hose	55:3:1	237-22	1	O-Ring
19	60-1250	1	Hose-Drain	55:4	105-3321	1	Tube-HYD, RH Rear Steering
20	340-23	1	Cross-Union				
20:1	237-22	4	O-Ring				
21	3256-23	2	Washer-Flat				
24	60-1360	1	Clamp-Single				

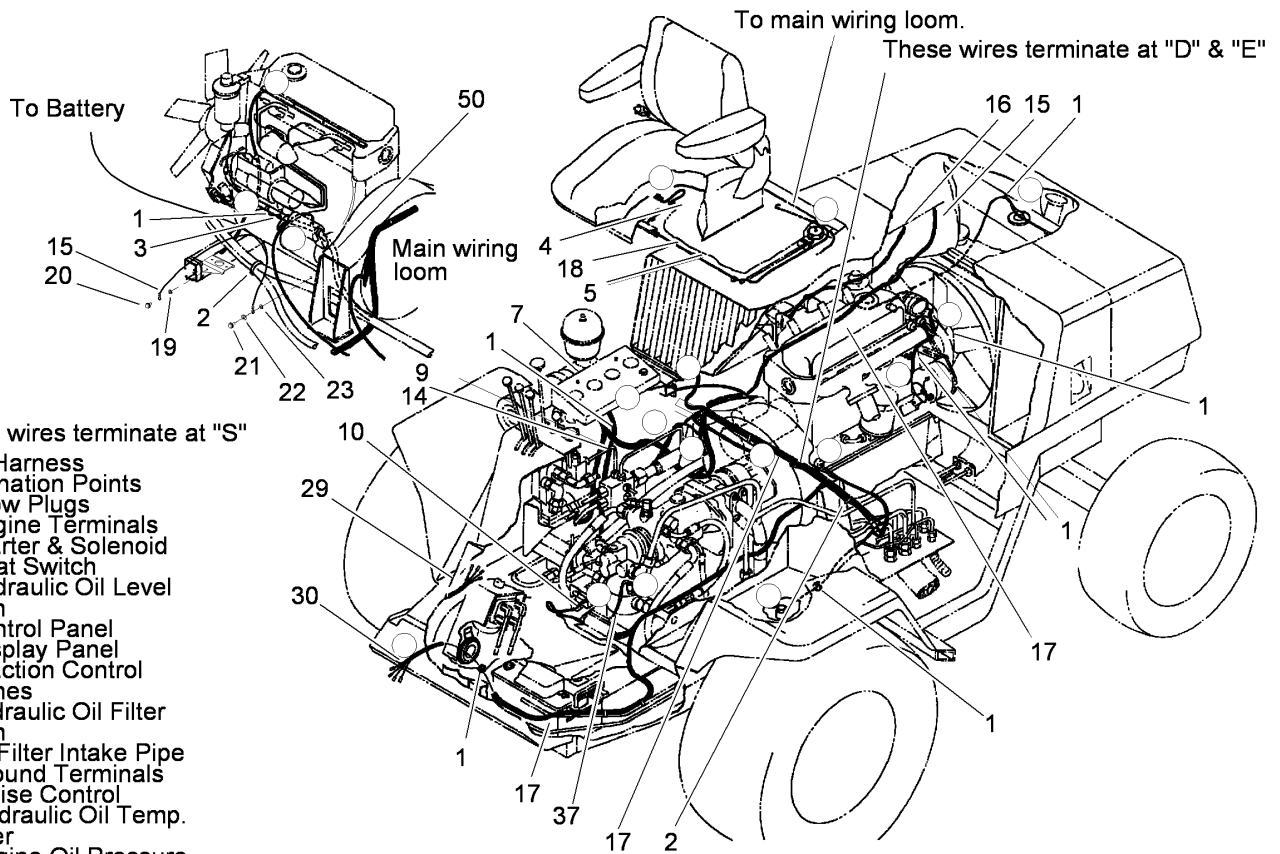


Hydraulic Circuit - Lift Arm Assembly

Ref.	Part Number	Qty.	Description	Ref.	Part Number	Qty.	Description
2	340-2	5	Fitting-HYD, Straight	21:3	68-6300	1	Tube ASM ●
2:1	237-22	1	O-Ring	22	60-2180	1	Adaptor
2:2	237-42	1	O-Ring	23	98-7406	1	Hose ASM
4	98-7413	1	Hose ASM	24	340-68	2	Fitting-Tee, Bulkhead
5	58-4750	1	Tube-Steel	24:1	237-22	3	O-Ring
6	93-1404	1	Tube-Steel	25	98-7411	1	HYD Hose ASM
7	3256-23	4	Washer-Flat	26	340-71	4	Fitting-Straight, Bulkhead
8	63-4680	1	90 DEG Tube ASM	26:1	237-22	2	O-Ring
9	58-4780	1	Tube-Steel	27	98-7410	1	Hose ASM
10	56-7973	4	Clamp-Tube	29	105-9280	1	Hose ASM
11	58-5710	1	Hose ASM	30	98-7407	1	Hose ASM
12	322-6	2	Screw-HH	31	106-9204	1	Hose ASM
13	68-6370	1	HYD Tube Kit	32	58-4880	1	Tube-Steel
13:1	68-6380	1	Tube ASM	33	98-7412	1	Hose ASM
13:2	68-6390	1	Tube ASM	33:1	237-22	1	O-Ring
15	58-3880	2	Clamp-Double	34	58-4870	1	Tube-Steel
16	33113-050	2	Screw-HH	35	98-7405	1	Hose ASM
17	43-5930	3	Washer-Lock, Spring	35:1	237-22	1	O-Ring
18	33093-00	2	Washer-Flat	36	60-1360	3	Clamp-Single
19	115-8035	1	HYD Hose ASM	37	33113-025	1	Screw-HH
20	58-4850	1	Tube-Steel	38	340-70	7	Nut-Lock
21	68-6270	1	HYD Tube Kit	39	3296-29	2	Nut-Lock, NI
21:1	68-6280	1	Tube ASM ●	40	340-115	1	Fitting-Tee
21:2	68-6290	1	Tube ASM ●	40:1	237-22	2	O-Ring

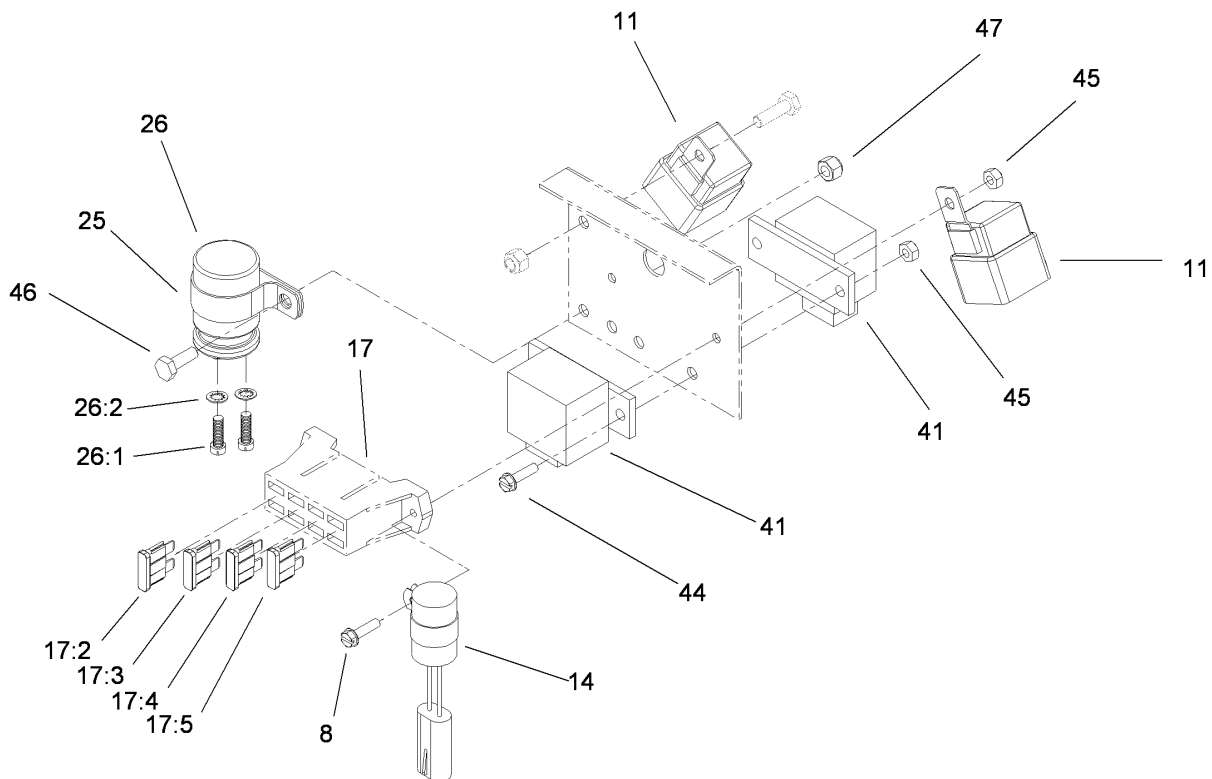
● Not illustrated

Electrical System and Relay Assembly



These wires terminate at "S"

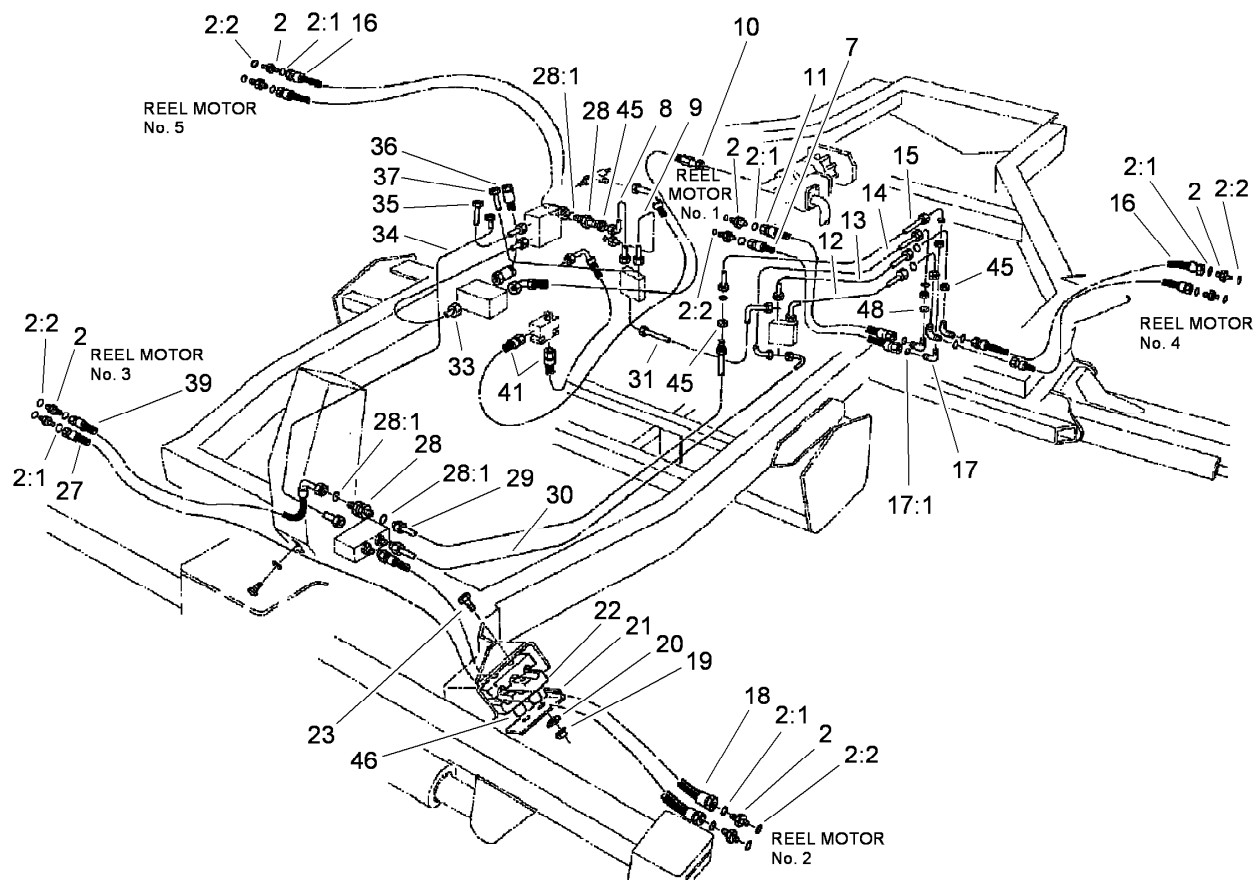
- Wire Harness
- Termination Points
- A Glow Plugs
- B Engine Terminals
- C Starter & Solenoid
- D Seat Switch
- E Hydraulic Oil Level Switch
- F Control Panel
- G Display Panel
- H Traction Control Switches
- I Hydraulic Oil Filter Switch
- J Air Filter Intake Pipe
- K Ground Terminals
- L Cruise Control
- M Hydraulic Oil Temp. Sender
- N Engine Oil Pressure
- P Engine Alternator
- R Engine Temp.
- Senders & Switches
- S Fuel Level Sender
- T Fuse Block



Electrical System and Relay Assembly (continued)

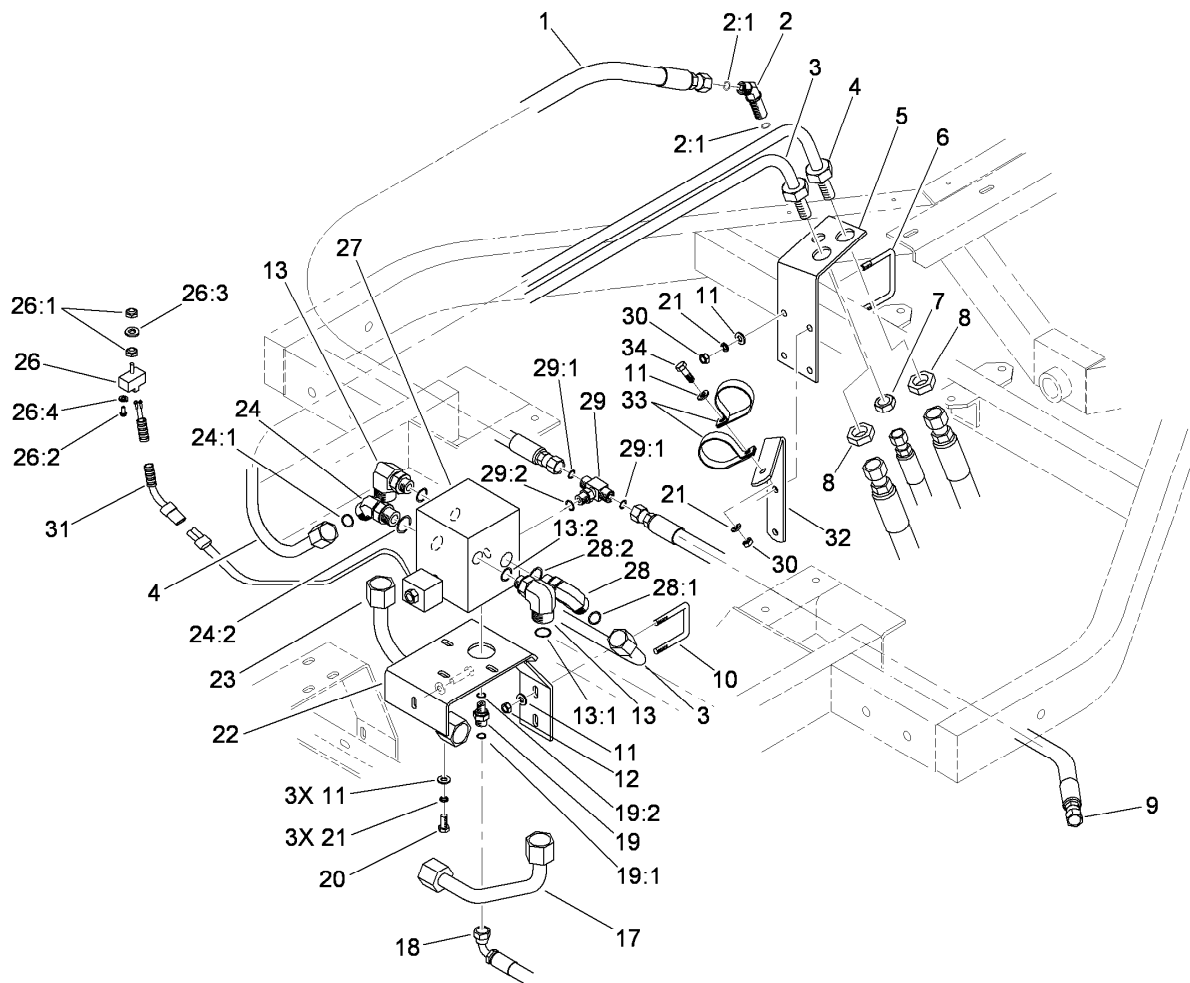
<i>Ref.</i>	<i>Part Number</i>	<i>Qty.</i>	<i>Description</i>	<i>Ref.</i>	<i>Part Number</i>	<i>Qty.</i>	<i>Description</i>
1	3290-378	21	Tie-Cable	18	108-6052	1	Harness-Wire, Seat
2	3290-379	5	Tie-Cable	19	3255-8	1	Washer-Lock
3	2412-109	1	Clip-J	20	32144-14	1	Screw-HWHTF
4	237-100	1	Grommet	21	42-9250	1	Bolt
5	115-8007	4	Clip-Wire	22	48-8070	1	Washer-Lock
7	105-9279	1	Harness-Wire, Control Panel	23	3255-2	1	Washer-Lock / EXT
8	32105-12	1	Screw	25	2412-74	1	R-Clamp
9	82-9790	1	Harness	26	37-2690	1	Capacitor
10	104-5205	1	Harness-Wire, Micro Switch	26:1	3252-18	2	Screw
11	99-7430	2	Relay	26:2	3254-1	2	Washer-Lock, Int
14	83-2280	1	Timer-Delay	29	82-9230	2	Harness
15	106-7053	1	Cable-Battery, Negative	30	98-3819	1	Harness-Wire, Light Cluster
16	104-0086	1	Cable-Battery, Positive	37	86-5990	1	Harness-Filter
17	114-3978	1	Harness-Wire, Main	41	66-8800	2	Relay
17:1	100-4918	1	Diode ●	44	32105-13	3	Screw-HWH
17:2	99-6124	1	Fuse-40 Amp	45	3296-2	4	Nut-Lock, NI
17:3	109101	1	Fuse-20 Amp	46	321-4	1	Screw-HH
17:4	110928	1	Fuse-5 Amp	47	3296-42	1	Nut-Lock, NI
17:5	114241	1	Fuse-7.5 Amp	50	99-3441	1	Harness-Wire, Fusible Link

● Not illustrated



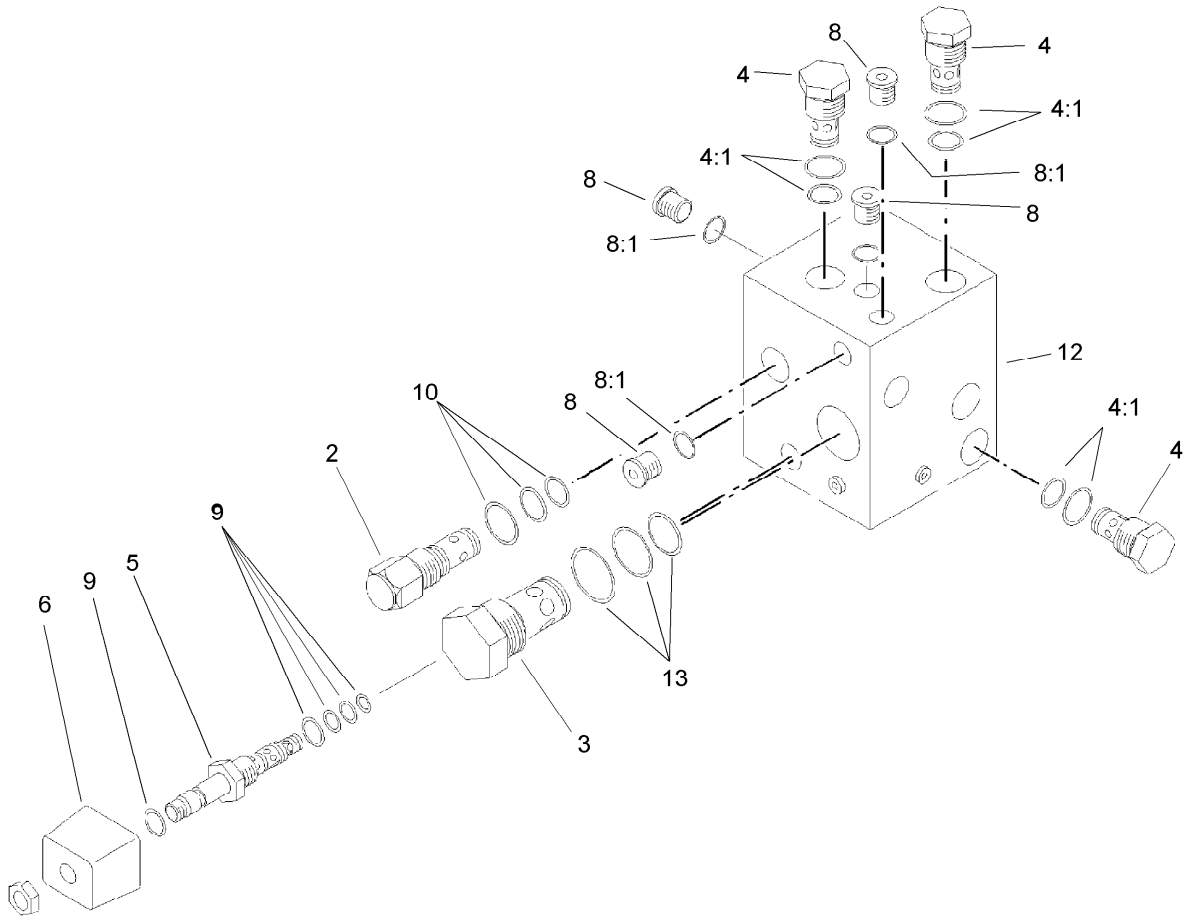
Hydraulic Circuit - Cutting Unit

Ref.	Part Number	Qty.	Description	Ref.	Part Number	Qty.	Description
2	340-139	10	Fitting-HYD, 90 DEG	22	74-2710	4	Clamp-Hose
2:1	237-81	1	O-Ring	23	321-23	4	Screw-HH
2:2	237-65	1	O-Ring	27	98-7401	1	Hose ASM
7	115-8034	1	HYD Hose ASM	28	340-76	3	Fitting-Bulkhead Union, Straight
8	58-4960	1	Tube-Steel	28:1	237-65	2	O-Ring
9	58-4970	1	Tube-Steel	29	58-4990	1	Tube-Steel
10	58-5730	1	Hose ASM	30	58-5070	1	Tube-Steel
11	115-8018	1	HYD Hose ASM	31	58-4950	1	Tube-Steel
12	58-5060	1	Tube-Steel	33	58-5050	1	Tube-Steel
13	58-5000	1	Tube-Steel	34	58-5030	1	Tube-Steel
14	58-5020	1	Tube-Steel	35	58-4980	1	Tube-Steel
15	58-5040	1	Tube-Steel	36	60-3340	1	Hose ASM
16	98-7403	4	Hose ASM	37	63-4710	1	Tube ASM
17	340-72	4	Fitting-Bulkhead, 90 DEG	39	98-7402	1	Hose ASM
17:1	237-65	2	O-Ring	41	60-1250	2	Hose-Drain
18	98-7400	1	Hose ASM	45	340-74	8	Nut-Lock, Bulkhead
19	3296-8	4	Nut-Lock	46	74-2730	4	Tube
20	3256-16	4	Washer-Flat	48	3254-21	2	Washer-Lock/Int
21	74-2750-03	2	Retainer				



4 Wheel Drive Hydraulic Plumbing Assembly

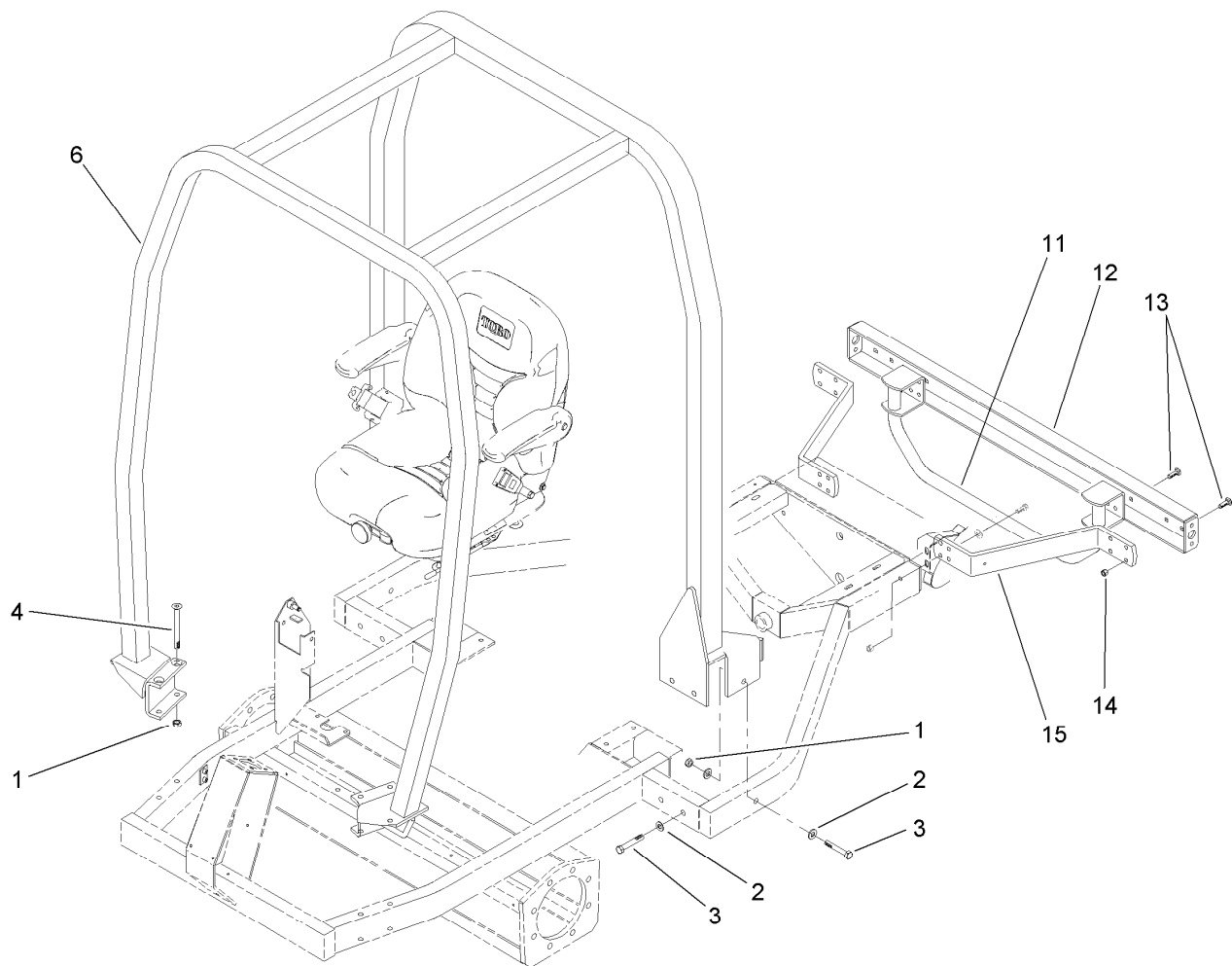
Ref.	Part Number	Qty.	Description	Ref.	Part Number	Qty.	Description
1	92-5691	1	Hose ASM	22	86-6460-01	1	Bracket-Block
2	340-69	1	Elbow-Bulkhead, 45 DEG	23	92-4727	1	Tube-Rear
2:1	237-22	2	O-Ring	24	340-14	1	Fitting-HYD, 45 DEG
3	92-5690	1	Reverse Tube ASM	24:1	237-65	1	O-Ring
4	92-5689	1	Forward Tube ASM	24:2	237-80	1	O-Ring
5	92-5693-01	1	Bracket-Bulkhead	26	69-9740	1	Switch
6	92-5692	2	U-Bolt	26:1	218-498	2	Nut-Lock
7	340-70	1	Nut-Lock	26:2	218-588	3	Screw
8	340-74	2	Nut-Lock, Bulkhead	26:3	218-589	1	Washer
9	92-4725	1	Hose ASM	26:4	3253-19	3	Washer-Lock
10	66-5560	1	U-Bolt	27	92-2982	1	Control Block ASM
11	3256-23	10	Washer-Flat	28	340-17	1	Fitting-HYD, 90 DEG
12	3296-29	2	Nut-Lock, NI	28:1	237-65	1	O-Ring
13	92-5696	2	Fitting-HYD, 90 DEG	28:2	237-80	1	O-Ring
13:1	237-58	1	O-Ring	29	340-94	1	Adapter
13:2	237-79	1	O-Ring	29:1	237-22	2	O-Ring
17	92-4728	1	Tube-Front	29:2	237-42	1	O-Ring
18	92-5687	1	Hose ASM	30	3217-6	5	Nut-Hex
19	340-88	1	Adapter	31	3290-378	1	Tie-Cable
19:1	237-22	1	O-Ring	32	99-8741-01	1	Bracket-Support, Hose
19:2	237-78	1	O-Ring	33	2412-107	2	Clamp-R
20	322-3	3	Screw-HH	34	322-45	1	Screw-HH
21	3253-4	8	Washer-Lock				



Hydraulic Manifold Assembly No. 92-2982

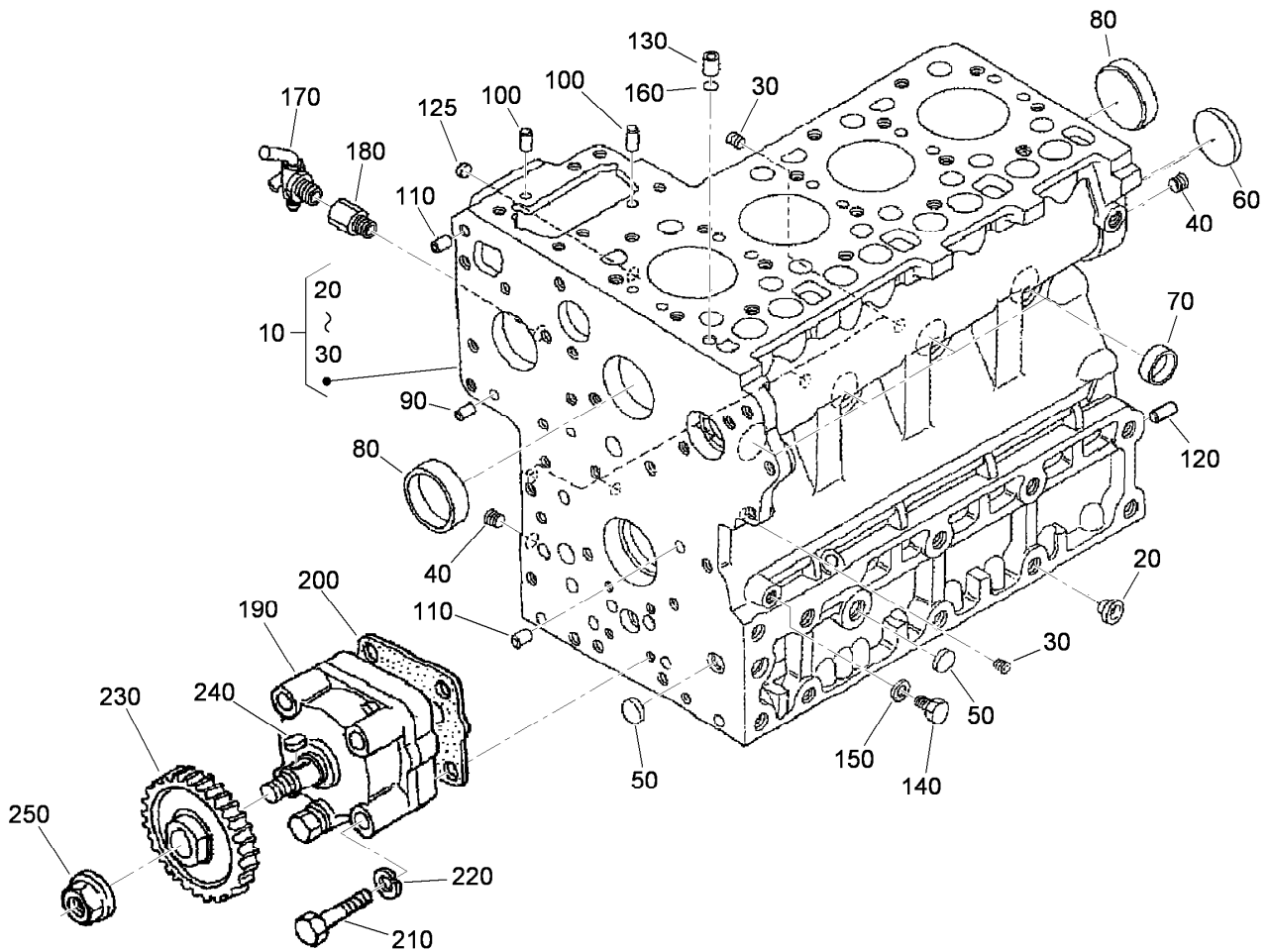
<i>Ref.</i>	<i>Part Number</i>	<i>Qty.</i>	<i>Description</i>
2	93-1406	1	Cartridge-Logic
3	93-1409	1	Cartridge-Logic
4	95-6014	3	Valve-Check
4:1	95-5645	1	Seal Kit
5	93-1407	1	Cartridge-Solenoid
6	105-7340	1	Coil ASM
8	353-989	4	Plug-Hex, Hollow
8:1	237-42	1	O-Ring
9	93-1408	1	Seal Kit
10	69-4240	1	Seal Kit
12		1	Block-Manifold ●
13	95-5644	1	Seal Kit

● Not serviced separately



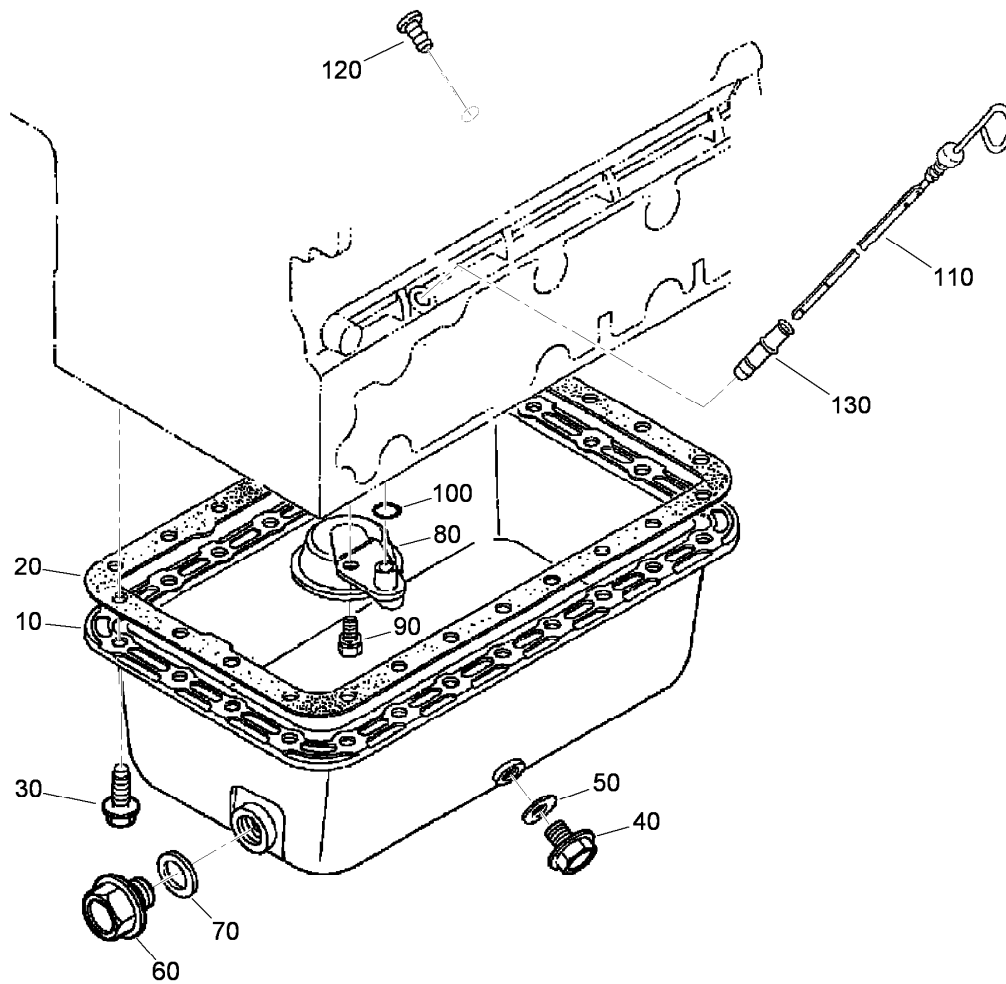
Roll-Over Protection System Assembly

<i>Ref.</i>	<i>Part Number</i>	<i>Qty.</i>	<i>Description</i>
1	3296-23	10	Nut-Lock, NI
2	3256-26	12	Washer-Flat
3	325-12	6	Screw-HH
4	3289-25	4	Screw-SFH
6	92-2987-03	1	ROPS ASM
11	92-6050-03	1	Guard ASM
12	92-6052-03	1	Bumper-Rear
13	3231-25	12	Screw-CARR
14	3296-39	12	Nut-Lock, NI
15	92-6051-03	2	Bracket-Bumper



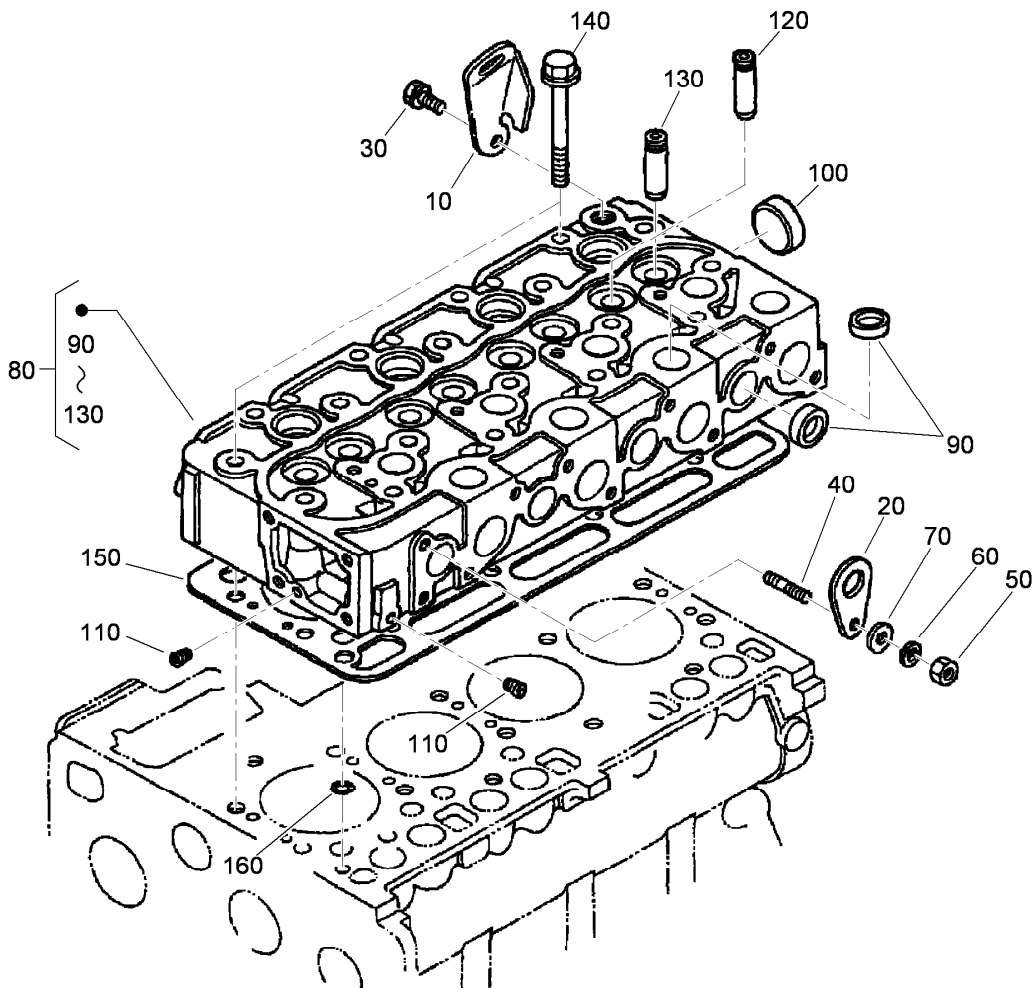
Crankcase Assembly

<i>Ref.</i>	<i>Part Number</i>	<i>Qty.</i>	<i>Description</i>	<i>Ref.</i>	<i>Part Number</i>	<i>Qty.</i>	<i>Description</i>
10	108-4413	1	Crankcase ASM	130	98-7506	1	Pin-Pipe
20	98-7486	2	Plug	140	110-0012	1	Plug
30	98-7487	6	Plug	150	98-7428	1	Gasket
40	98-7488	2	Plug	160	98-7509	1	O-Ring
50	98-9379	3	Plug-Expansion	170	98-7510	1	Cock-Drain
60	98-9668	1	Plug-Expansion	180	98-7511	1	Joint-Cock, Drain
70	98-7500	6	Cap-Sealing	190	98-7512	1	Oil Pump ASM
80	98-7501	2	Cap-Sealing	200	115-8648	1	Gasket-Pump, Oil
90	98-7502	2	Pin-Straight	210	98-7514	4	Bolt
100	98-7503	2	Pin-Straight	220	98-7699	4	Washer-Spring
110	98-7504	2	Pin-Straight	230	98-7516	1	Gear-Drive, Oil Pump
120	98-7505	1	Pin-Straight	240	98-7517	1	Key-Feather
125	105-2883	1	Cap-Sealing	250	98-7518	1	Nut-Flange



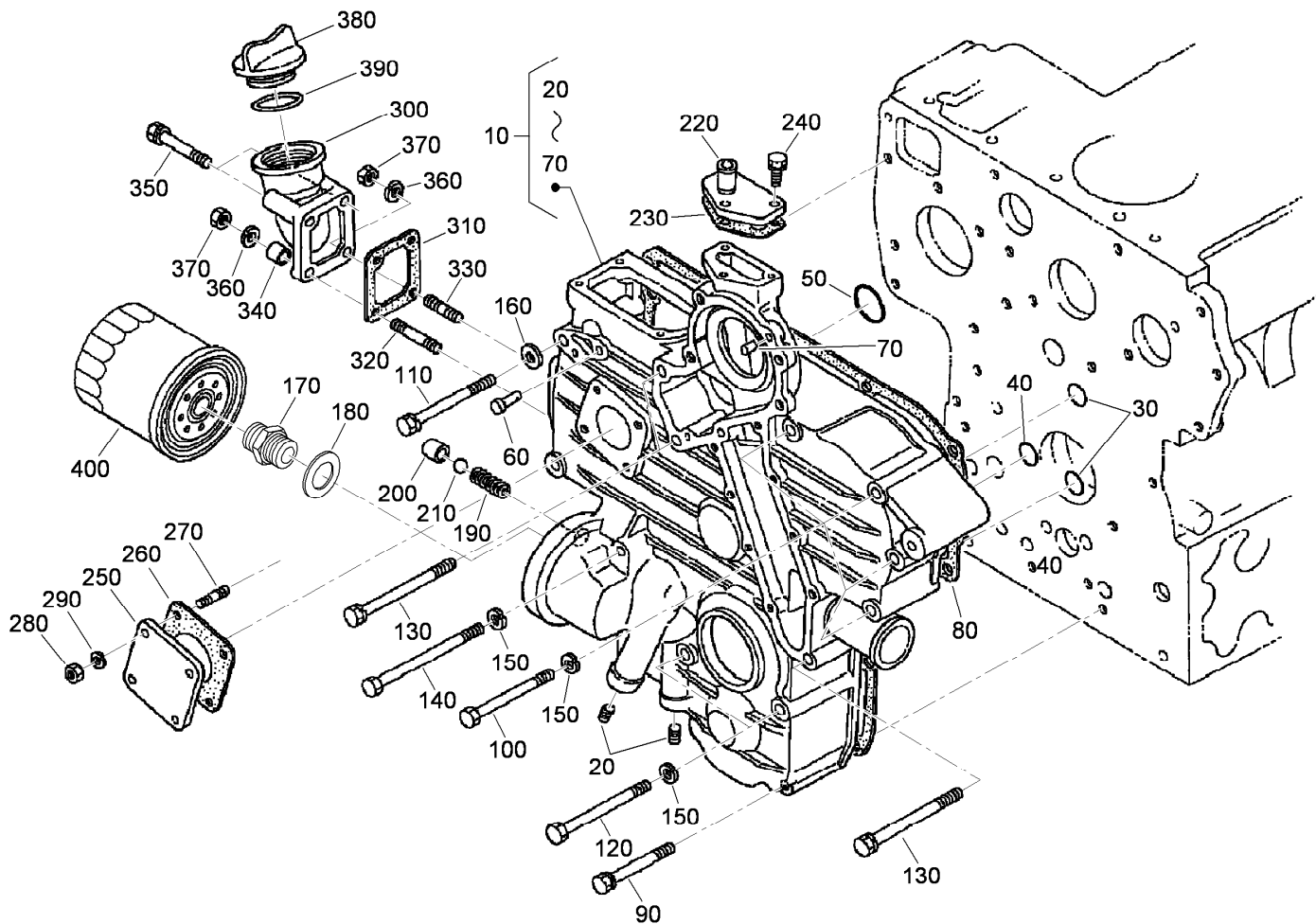
Oil Pan and Dipstick Assembly

<i>Ref.</i>	<i>Part Number</i>	<i>Qty.</i>	<i>Description</i>
10	98-7520	1	Pan-Oil
20	108-7053	1	Gasket-Pan, Oil
30	98-7522	24	Bolt-Flange
40	98-9386	1	Plug
50	98-7524	1	Gasket
60	98-7529	1	Plug-Drain
70	98-7528	1	O-Ring
80	98-7525	1	Filter-Oil
90	98-7526	1	Bolt
100	108-7054	1	O-Ring
110	105-4579	1	Gauge-Oil
120	100-9169	1	Plug-Gauge, Oil
130	105-4580	1	Guide-Gauge, Oil



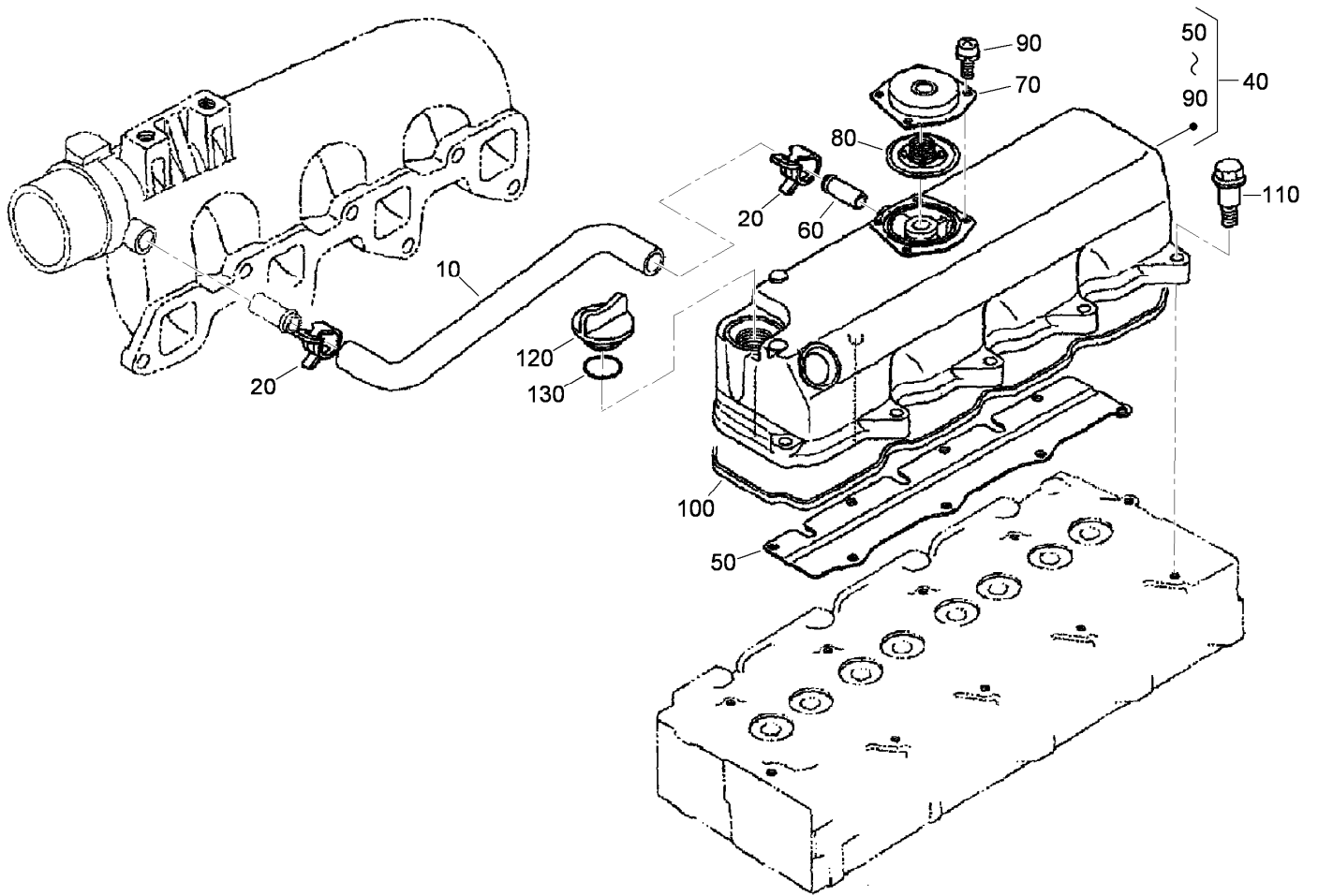
Cylinder Head Assembly

<i>Ref.</i>	<i>Part Number</i>	<i>Qty.</i>	<i>Description</i>
10	98-7530	1	Hook-Engine
20	98-7531	1	Hook-Engine
30	98-7526	1	Bolt
40	100-1558	1	Stud-Manifold, Exhaust
50	98-7534	1	Nut
60	98-7535	1	Washer-Spring
70	98-7536	1	Washer-Plain
80	108-4414	1	Cylinder Head ASM
90	98-7538	12	Cap-Sealing
100	98-7539	1	Cap-Sealing
110	98-7540	2	Plug
120	98-7541	4	Guide-Valve, Intake
130	98-7542	4	Guide-Valve, Exhaust
140	98-7543	18	Bolt-Head, Cylinder
150	98-7544	1	Gasket-Head, Cylinder
160	98-7509	1	O-Ring



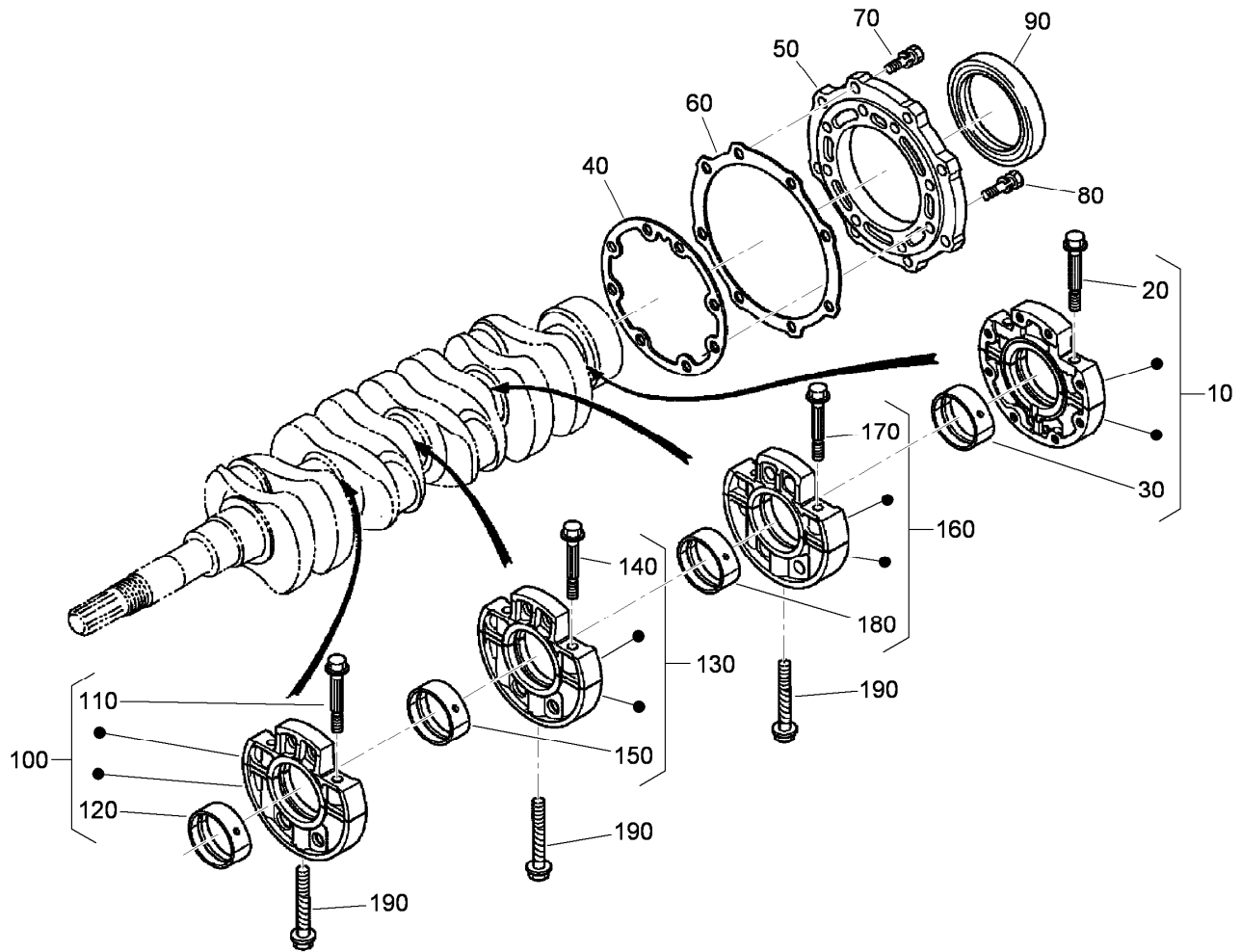
Gear Case Assembly

<i>Ref.</i>	<i>Part Number</i>	<i>Qty.</i>	<i>Description</i>	<i>Ref.</i>	<i>Part Number</i>	<i>Qty.</i>	<i>Description</i>
10	112-8417	1	Gearcase ASM	210	98-7565	1	Ball
20	107-0108	2	Plug	220	98-7566	1	Flange-Return, Water
30	107-0104	2	O-Ring	230	115-8521	1	Gasket-Flange, Return
40	107-0105	1	O-Ring	240	98-7568	1	Bolt
50	107-0106	1	O-Ring	250	98-7569	1	Cover
60	98-7550	1	Pin-Spring, Start	260	98-7570	1	Gasket-Meter, Hour
70	98-7504	2	Pin-Straight	270	98-7571	4	Stud
80	98-7552	1	Packing-Case, Gear	280	98-7572	4	Nut
90	98-7553	2	Bolt	290	98-7699	4	Washer-Spring
100	99-8336	5	Bolt	300	100-9162	1	Flange-Filter, Oil
110	98-7555	1	Bolt	310	100-9163	1	Gasket
120	98-7556	2	Bolt	320	98-7571	1	Stud
130	98-7557	3	Bolt	330	100-9164	1	Stud
140	98-7558	2	Bolt	340	100-9165	1	Collar
150	98-7535	9	Washer-Spring	350	100-1765	2	Bolt
160	98-7536	1	Washer-Plain	360	98-7699	2	Washer-Spring
170	98-7561	1	Joint-Pipe	370	98-7572	2	Nut
180	108-4419	1	Collar-Valve Seat	380	98-9449	1	Plug-Filler, Oil
190	98-7563	1	Spring	390	108-7064	1	O-Ring
200	98-7564	1	Seat-Valve	400	104-5169	1	Filter-Oil



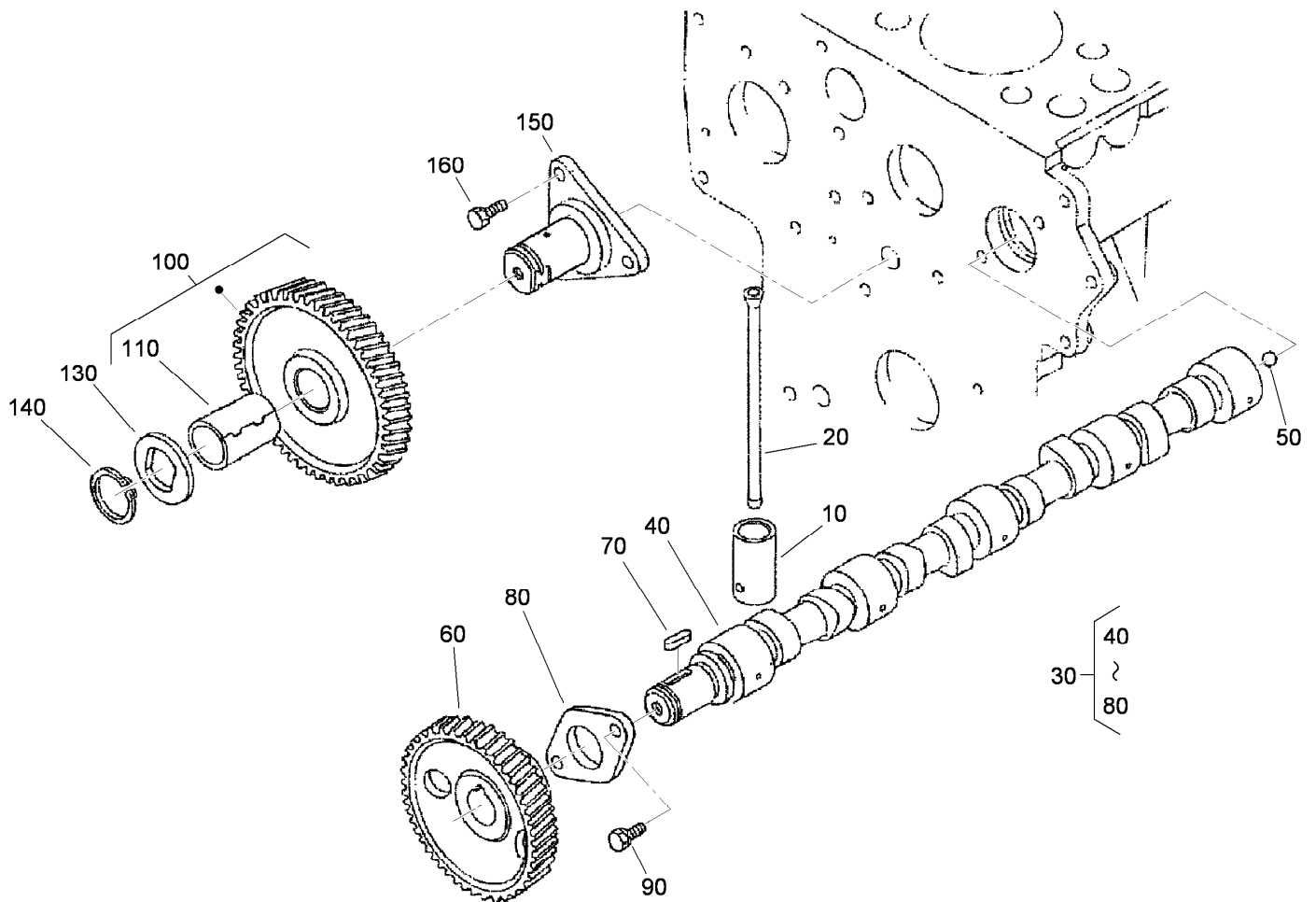
Cylinder Head Cover Assembly

<i>Ref.</i>	<i>Part Number</i>	<i>Qty.</i>	<i>Description</i>
10	108-4415	1	Tube-Breather
20	105-2879	2	Clamp-Hose
40	108-4416	1	Cylinder Head Cover ASM
50	108-7059	2	Shield-Breather
60	98-7766	1	Pipe-Return, Water
70	108-2862	1	Cover-Breather
80	110-3715	1	Valve-Breather
90	98-9364	4	Screw (With Washer)
100	108-7062	1	Gasket-Cover, Head
110	108-7063	10	Bolt
120	98-9449	1	Plug-Filler, Oil
130	108-7064	1	O-Ring



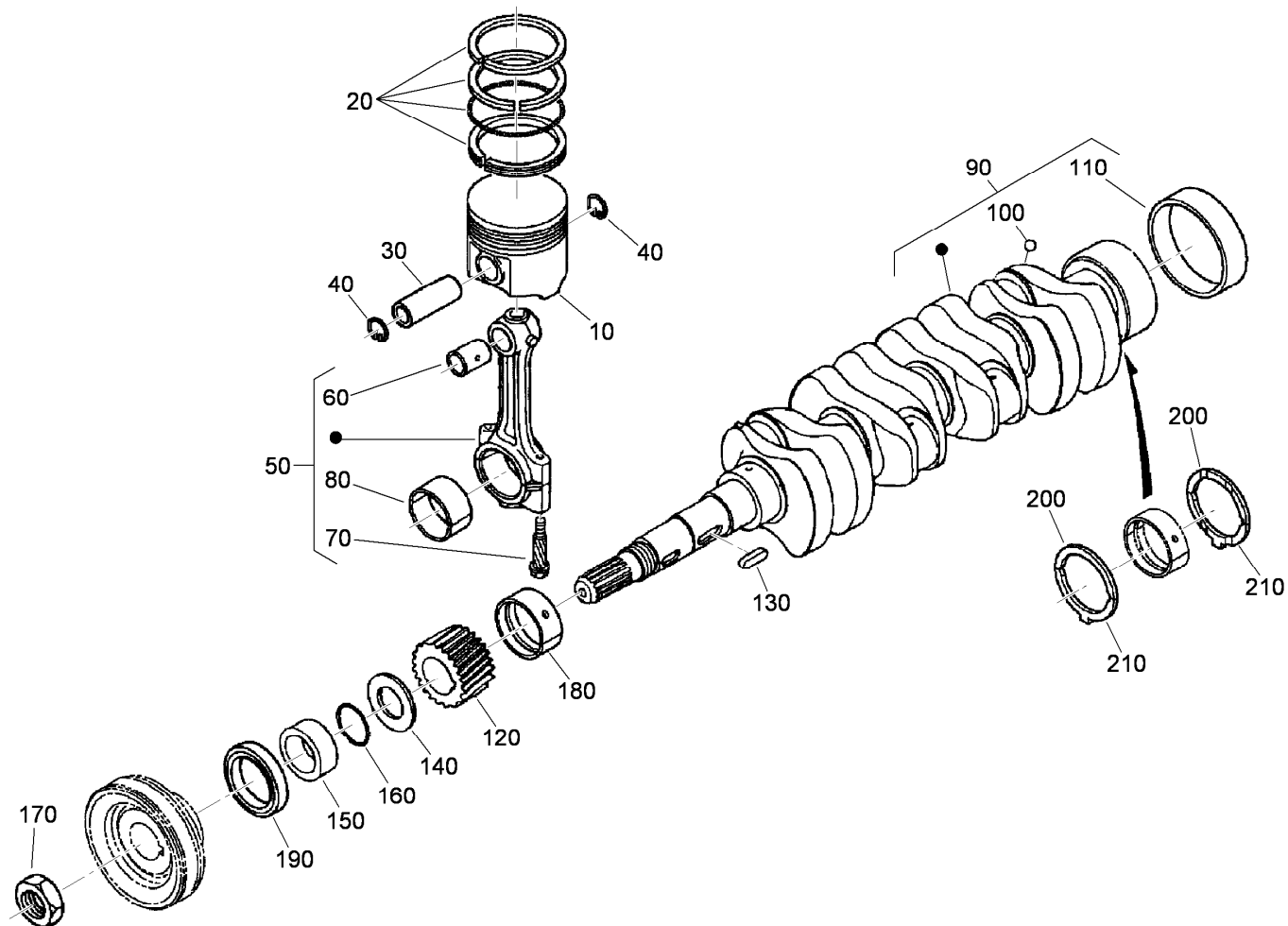
Main Bearing Assembly

<i>Ref.</i>	<i>Part Number</i>	<i>Qty.</i>	<i>Description</i>	<i>Ref.</i>	<i>Part Number</i>	<i>Qty.</i>	<i>Description</i>
10	108-4417	1	Wheel Bearing Case ASM	120	108-7067	1	Metal-Crankshaft (STD)
20	108-7066	8	Bolt-Case, Bearing	120	108-7068	1	Metal-Crankshaft (-0.20Mm)
30	108-7067	1	Metal-Crankshaft (STD)	120	108-7069	1	Metal-Crankshaft (-0.40Mm)
30	108-7068	1	Metal-Crankshaft (-0.20Mm)	130	110-0014	1	Main Bearing Case ASM
30	108-7069	1	Metal-Crankshaft (-0.40Mm)	140	108-7066	2	Bolt-Case, Bearing
40	108-7070	1	Gasket-Case, Bearing	150	108-7067	1	Metal-Crankshaft (STD)
50	117-8843	1	Cover-Case, Bearing	150	108-7068	1	Metal-Crankshaft (-0.20Mm)
60	98-7437	1	Gasket-Case Cover, Bearing	150	108-7069	1	Metal-Crankshaft (-0.40Mm)
70	98-7438	8	Bolt	160	110-0015	1	Main Bearing Case ASM
80	98-7439	8	Bolt	170	108-7066	2	Bolt-Case, Bearing
90	108-7072	1	Seal-Oil	180	108-7067	1	Metal-Crankshaft (STD)
100	110-0013	1	Main Bearing Case ASM	180	108-7068	1	Metal-Crankshaft (-0.20Mm)
110	108-7066	2	Bolt-Case, Bearing	180	108-7069	1	Metal-Crankshaft (-0.40Mm)
				190	98-7444	3	Bolt-Case, Bearing



Cam Shaft and Idle Gear Assembly

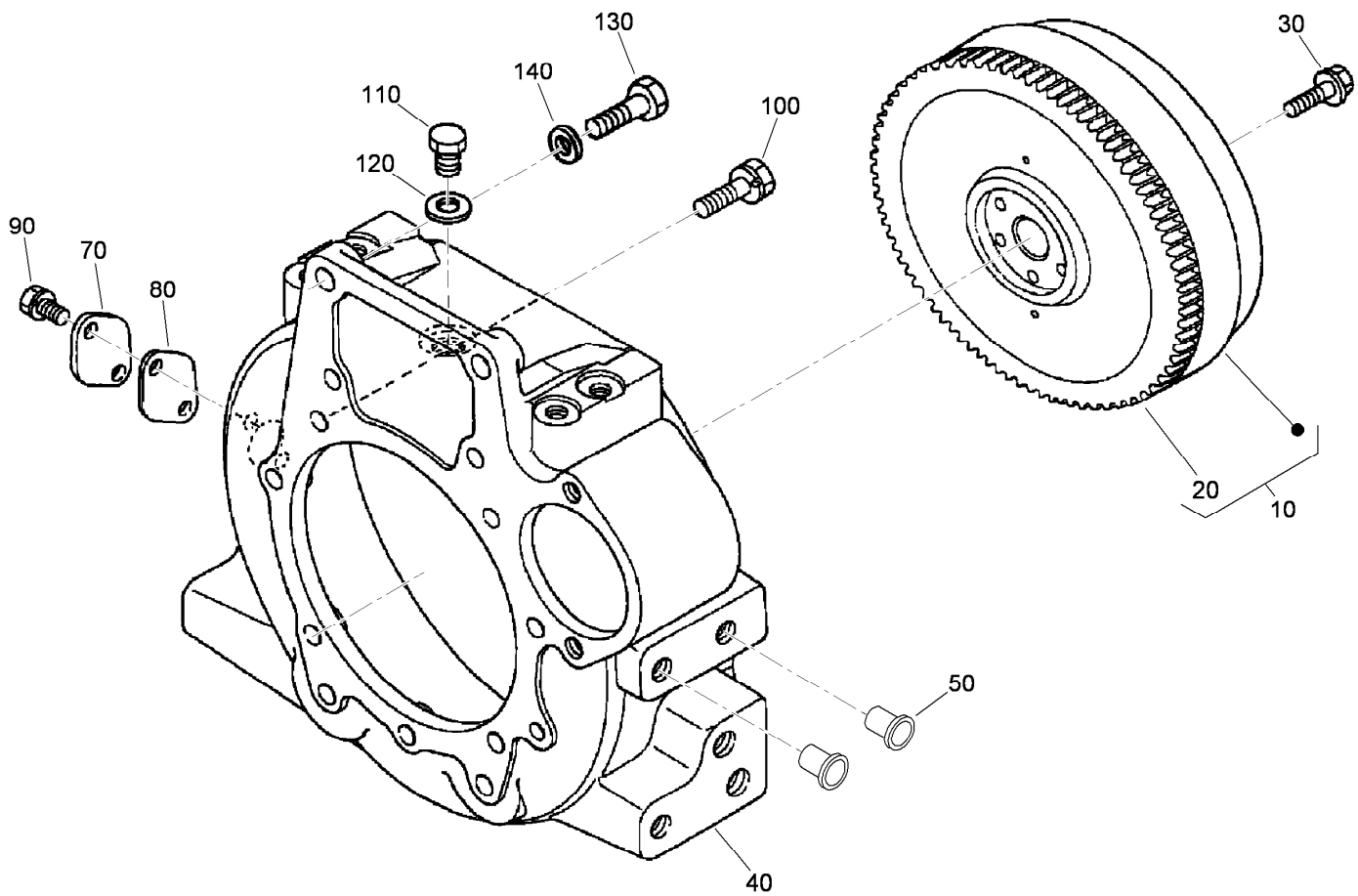
<i>Ref.</i>	<i>Part Number</i>	<i>Qty.</i>	<i>Description</i>
10	98-7445	8	Tappet
20	98-7446	8	Rod-Push
30	98-7447	1	Camshaft ASM
40	98-7448	1	Camshaft
50	110-3729	1	Ball
60	98-7450	1	Gear-Camshaft
70	98-7451	1	Key-Feather
80	98-7452	1	Stopper-Camshaft
90	98-7453	2	Bolt
100	107-0109	1	Gear-Idler
110	98-7455	1	Bushing-Gear, Idler
130	107-0111	1	Collar
140	107-0112	1	Circlip-External
150	107-0113	1	Shaft-Gear, Idler
160	98-7453	3	Bolt



Piston and Crankshaft Assembly

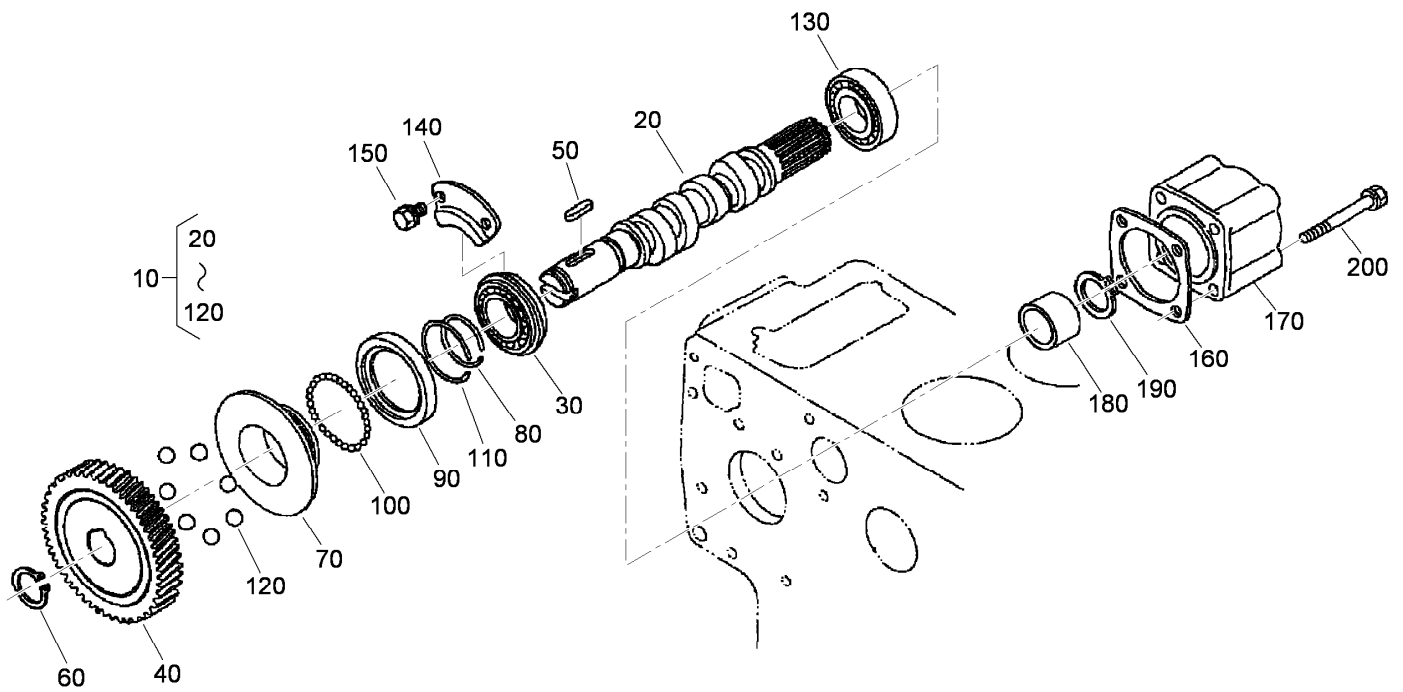
Ref.	Part Number	Qty.	Description
10	115-4112	4	Piston ASM
10	117-7595	4	Piston ASM
20	98-7463	4	Piston Ring ASM
20	98-7462	4	Piston Ring ASM
30	115-8544	4	Pin-Piston
40	98-7465	8	Clip-Pin, Piston
50	98-7466	4	Connecting Rod ASM
60	98-7467	4	Bushing-Pin, Piston
70	98-7468	8	Bolt-Rod, Connecting
80	98-7471	4	Metal-Crankpin (-0.40Mm)
80	98-7469	4	Metal-Crankpin (STD)
80	115-8547	4	Metal-Crankpin
90	98-7472	1	Crankshaft-Complete
100	110-3729	4	Ball
110	98-7474	1	Sleeve-Crankshaft
120	98-7475	1	Gear-Crankshaft

Ref.	Part Number	Qty.	Description
130	98-7451	1	Key-Feather
140	98-7476	1	Slinger-Oil
150	98-7477	1	Collar-Crankshaft
160	98-7478	1	O-Ring
170	98-7479	1	Nut-Crankshaft
180	108-7077	1	Metal-Crankshaft (-0.40Mm)
180	108-7076	1	Metal-Crankshaft (-0.20Mm)
180	108-7075	1	Metal-Crankshaft (STD)
190	98-7480	1	Seal-Oil
200	108-7078	2	Metal-Side (STD)
200	108-7079	2	Metal-Side (+0.20Mm)
200	108-7080	2	Metal-Side (+0.40Mm)
210	108-7083	2	Metal-Side (+0.40Mm)
210	108-7082	2	Metal-Side (+0.20Mm)
210	108-7081	2	Metal-Side (STD)



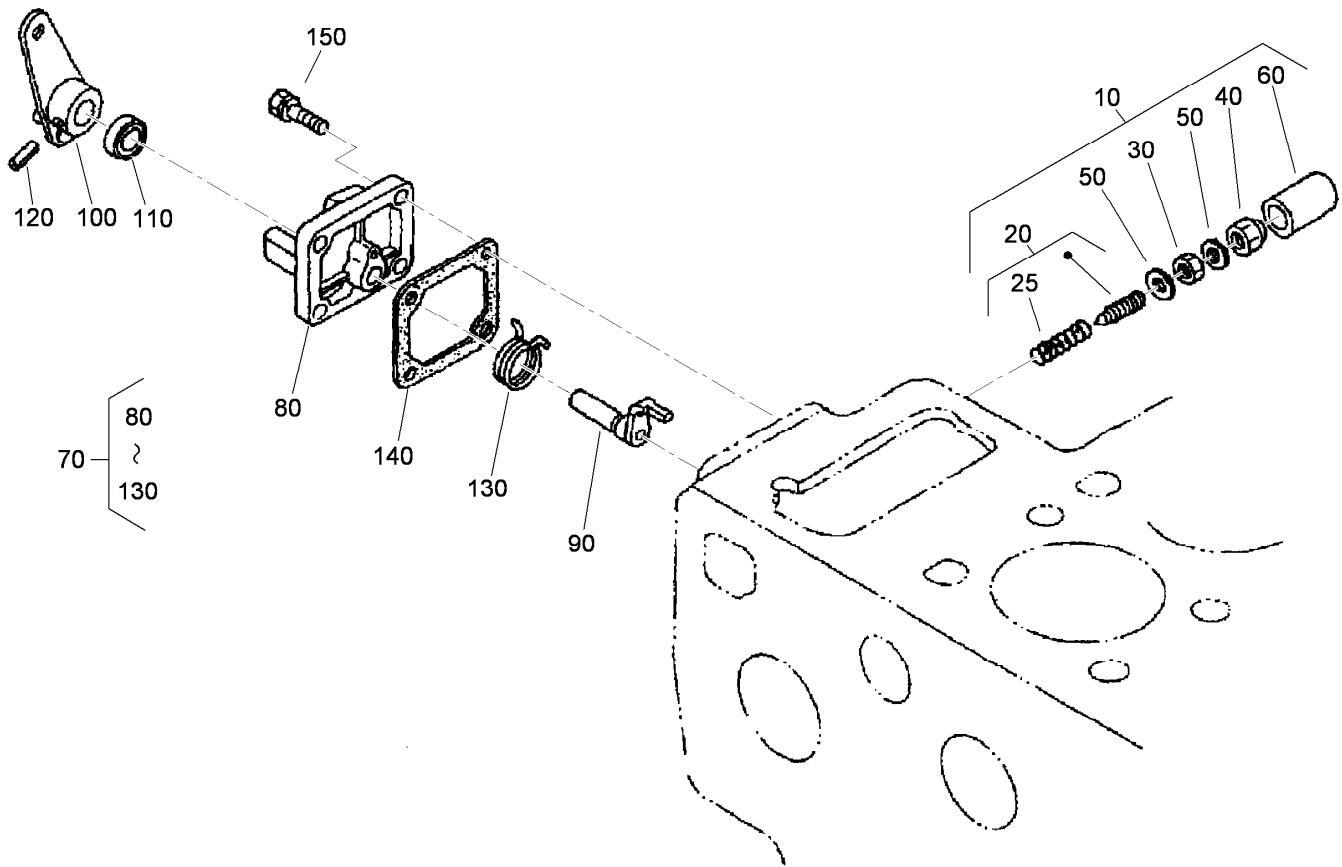
Flywheel Assembly

<i>Ref.</i>	<i>Part Number</i>	<i>Qty.</i>	<i>Description</i>
10	98-7532	1	Flywheel
20	98-7560	1	Gear-Ring
30	112-8408	6	Bolt-Flywheel
40	98-7559	1	Housing-Flywheel
50	100-9189	2	Plug
70	98-7883	1	Cover
80	98-7886	1	Gasket
90	98-7526	2	Bolt
100	98-7885	11	Bolt
110	107-0108	1	Plug
120	100-9194	1	Washer-Plain
130	107-0114	2	Bolt
140	107-0118	2	Washer-Spring



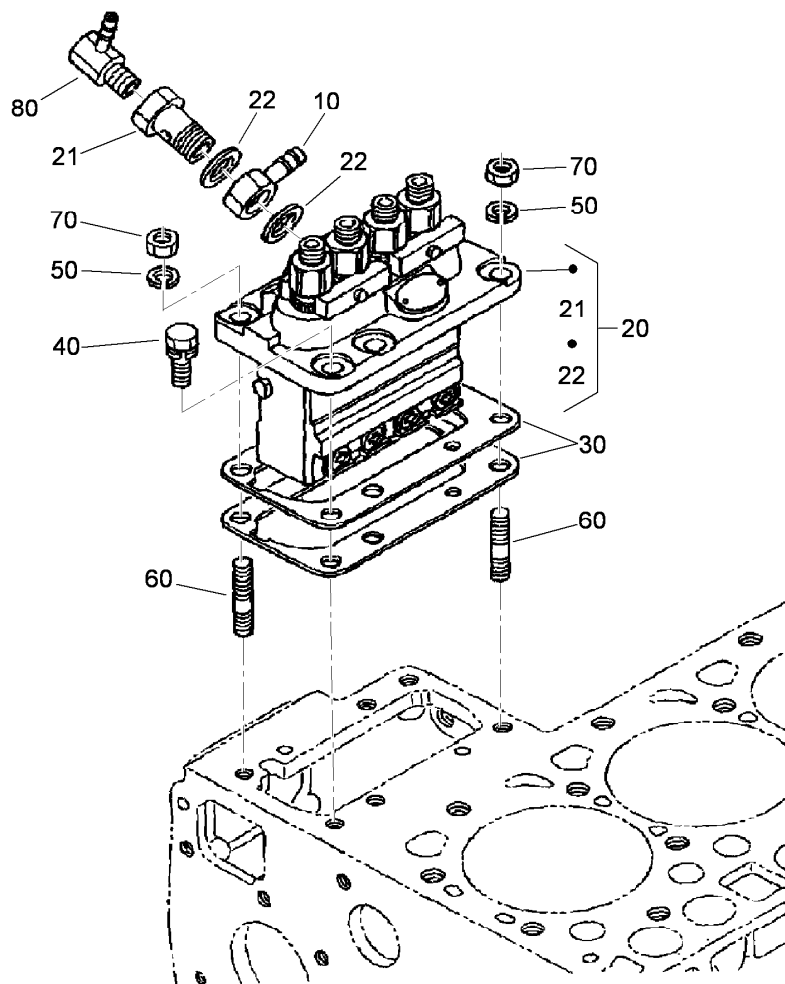
Fuel Camshaft and Governor Shaft Assembly

<i>Ref.</i>	<i>Part Number</i>	<i>Qty.</i>	<i>Description</i>
10	98-7551	1	Fuel Camshaft ASM
20	98-7508	1	Camshaft-Fuel
30	98-7595	1	Bearing-Ball
40	98-7574	1	Gear-Pump, Injection
50	98-7575	1	Key-Feather
60	98-7576	1	Circlip-External
70	98-7577	1	Sleeve-Governor
80	98-7578	1	Circlip-Sleeve, Governor
90	98-7579	1	Case-Ball, Governor
100	98-7580	39	Ball
110	98-7581	1	Circlip
120	98-7582	7	Ball
130	108-7084	1	Bearing-Ball
140	98-7584	1	Stopper
150	100-9195	2	Bolt
160	98-7588	1	Gasket
170	98-7586	1	Cover-Fuel, Camshaft
180	98-7587	1	Collar
190	98-7589	1	Circlip-External
200	98-7590	4	Bolt



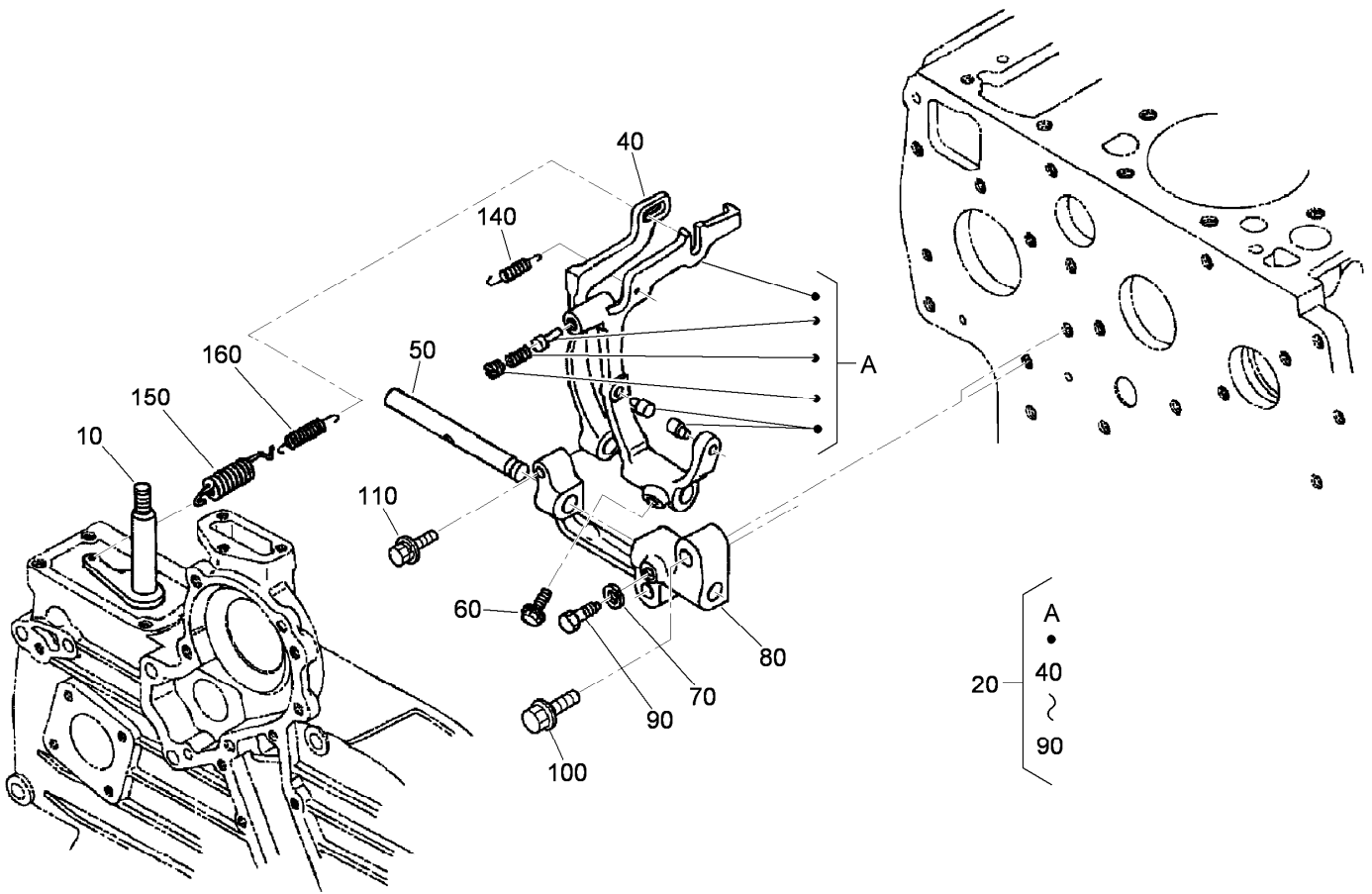
Engine Stop Lever Assembly

<i>Ref.</i>	<i>Part Number</i>	<i>Qty.</i>	<i>Description</i>
10	98-7591	1	Idle Appartus ASM
20	98-7592	1	Adjusting Bolt ASM
25	110-0016	1	Spring
30	98-7593	1	Nut
40	98-7594	1	Nut-Cap
50	98-7428	2	Gasket
60	98-7596	1	Cap
70	100-9198	1	Engine Stop Lever ASM
80	98-7598	1	Cover-Pump, Injection
90	100-9200	1	Shaft-Lever
100	98-7600	1	Lever-Stop, Engine
110	98-7601	1	Seal-Oil
120	98-7602	1	Pin-Spring
130	98-7603	1	Spring-Return
140	98-7604	1	Gasket-Cover, Pump
150	98-7605	4	Bolt



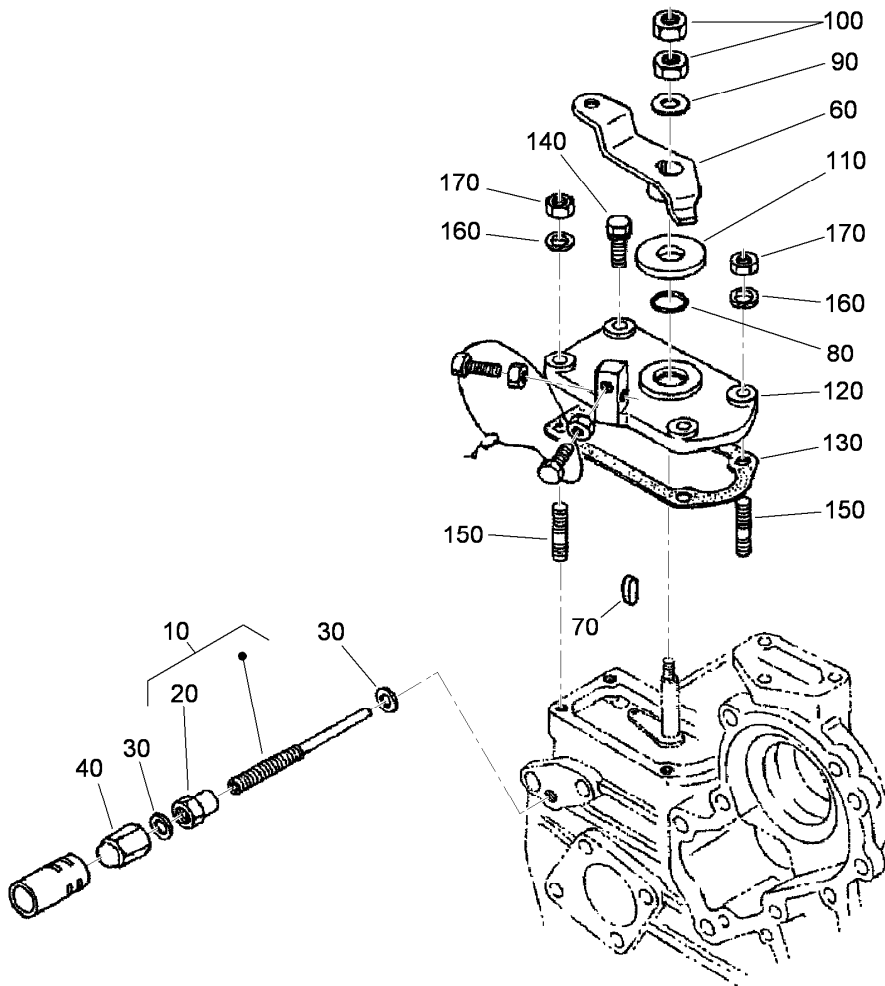
Injection Pump Assembly

<i>Ref.</i>	<i>Part Number</i>	<i>Qty.</i>	<i>Description</i>
10	98-7617	1	Joint
20	108-4418	1	Injection Pump ASM
21	98-7635	1	Screw
22	98-7636	2	Gasket
30	98-7607	1	Shim
30	107-0147	1	Shim
30	107-0148	1	Shim
40	100-2562	4	Bolt
50	98-7535	2	Washer-Spring
60	100-1558	2	Stud-Manifold, Exhaust
70	98-7534	2	Nut
80	107-4300	1	Orifice ASM



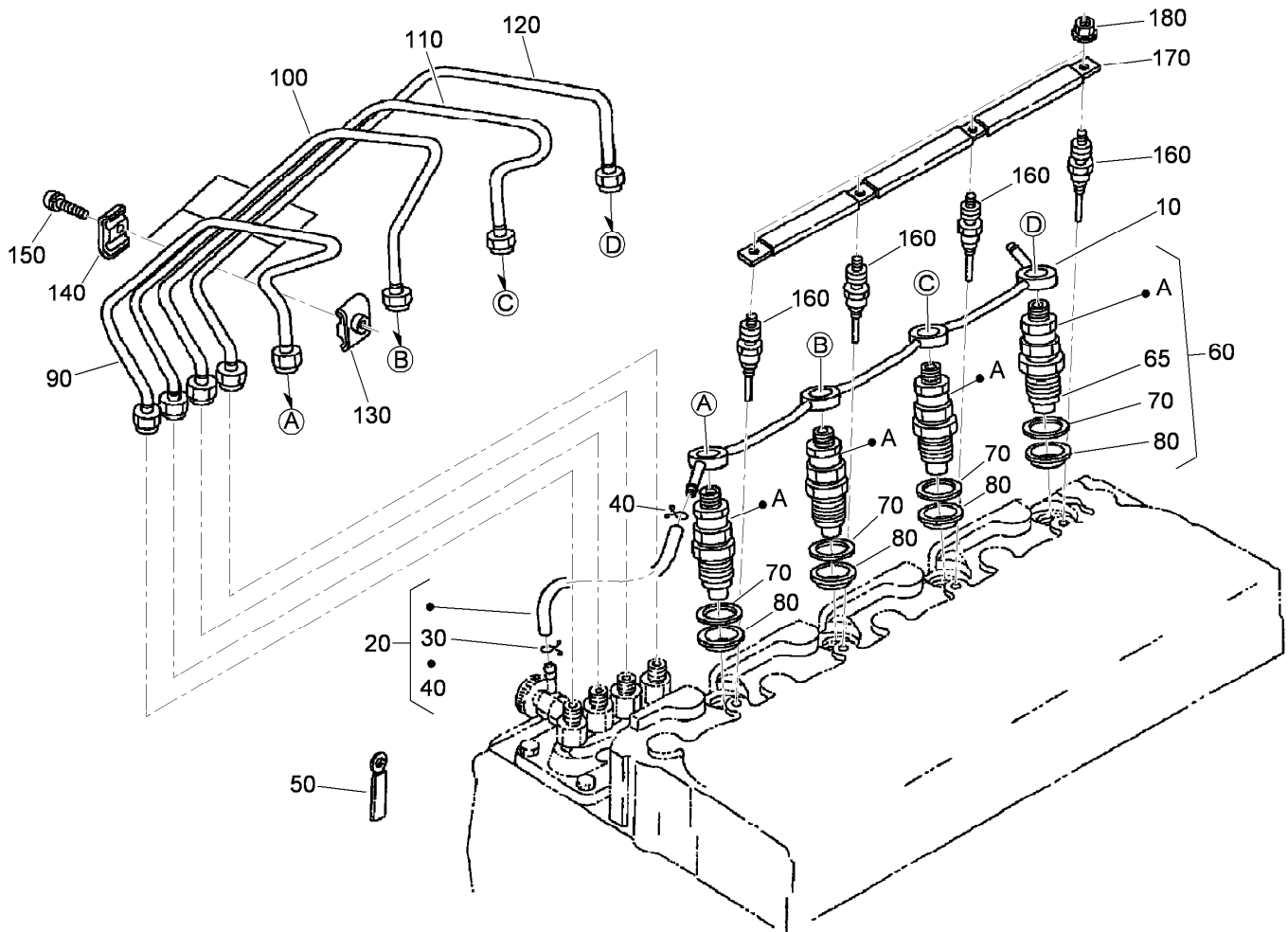
Governor Assembly

<i>Ref.</i>	<i>Part Number</i>	<i>Qty.</i>	<i>Description</i>
10	98-7638	1	Lever-Governor
20	110-0017	1	Fork Lever ASM
40	100-9206	1	Lever-Fork
50	107-0120	1	Shaft-Lever, Fork
60	107-0116	1	Bolt-Flange
70	98-7699	1	Washer-Spring
80	98-7643	1	Holder-Lever, Fork
90	98-7644	1	Bolt
100	108-7085	2	Bolt-Flange
110	108-7086	1	Bolt
140	100-9207	1	Spring-Start
150	98-7650	1	Spring-Governor
160	98-7651	1	Spring-Governor



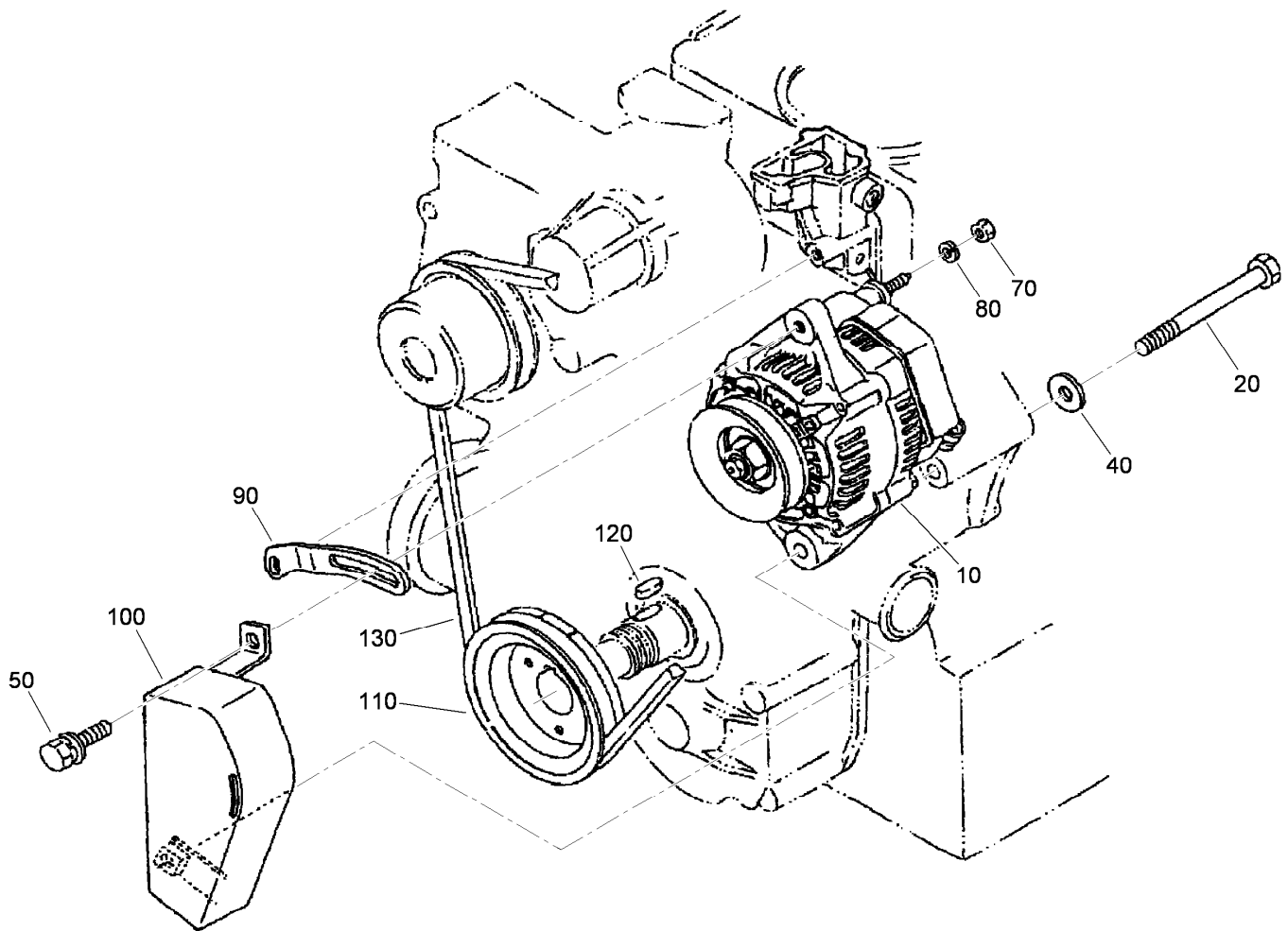
Speed Control Plate Assembly

<i>Ref.</i>	<i>Part Number</i>	<i>Qty.</i>	<i>Description</i>
10	107-0132	1	Adjustable Bolt ASM
20	98-7653	1	Nut
30	98-7654	2	Gasket
40	98-7655	1	Nut-Cap
60	98-7657	1	Lever-Control, Speed
70	98-7658	1	Key-Feather
80	98-7659	1	O-Ring
90	98-7660	1	Washer-Plain
100	98-7661	2	Nut
110	98-7662	1	Collar
120	98-7663	1	Plate-Control, Speed
130	112-8449	1	Gasket
140	98-7568	2	Bolt
150	98-7571	2	Stud
160	98-7699	2	Washer-Spring
170	98-7572	2	Nut



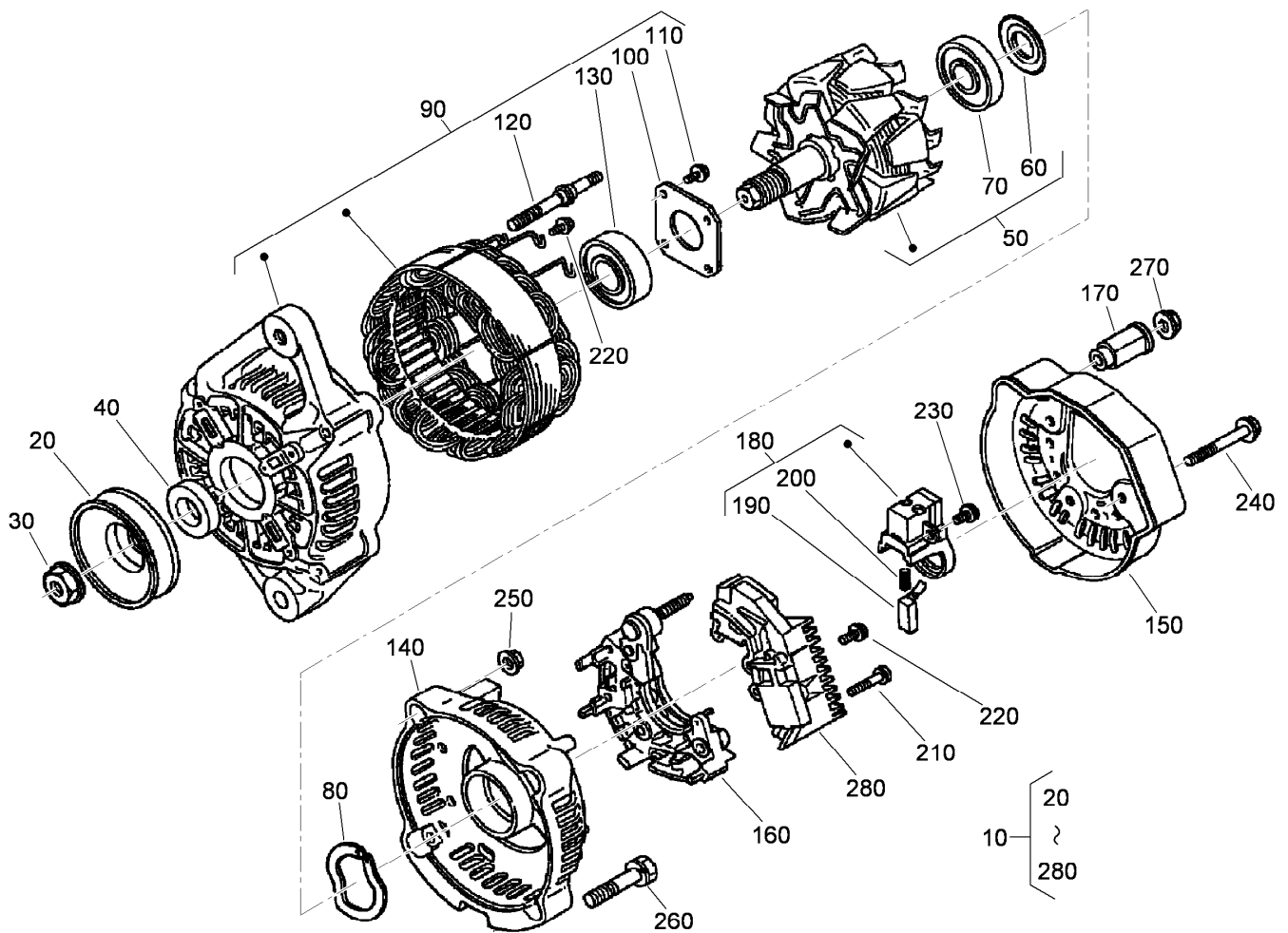
Nozzle Holder and Glow Plug Assembly

<i>Ref.</i>	<i>Part Number</i>	<i>Qty.</i>	<i>Description</i>
10	100-9213	1	Overflow Pipe ASM
20	98-7670	1	Overflow Pipe ASM
30	98-7671	1	Clip-Pipe
40	98-7672	1	Clip-Pipe
50	98-7673	1	Clamp-Cord
60	98-7687	4	Nozzle Holder Kit
65	98-7675	4	Piece-Nozzle
70	98-7676	4	Gasket
80	98-7677	4	Seal-Heat
90	98-7678	1	Pipe-Injection
100	98-7679	1	Pipe-Injection
110	98-7680	1	Pipe-Injection
120	98-7681	1	Pipe-Injection
130	98-7682	3	Clamp-Pipe
140	98-7683	3	Clamp-Pipe
150	98-7684	3	Screw (W/Washer)
160	98-7685	4	Plug-Glow
170	98-7686	1	Cord-Plug, Glow
180	99-8377	4	Nut-Flange



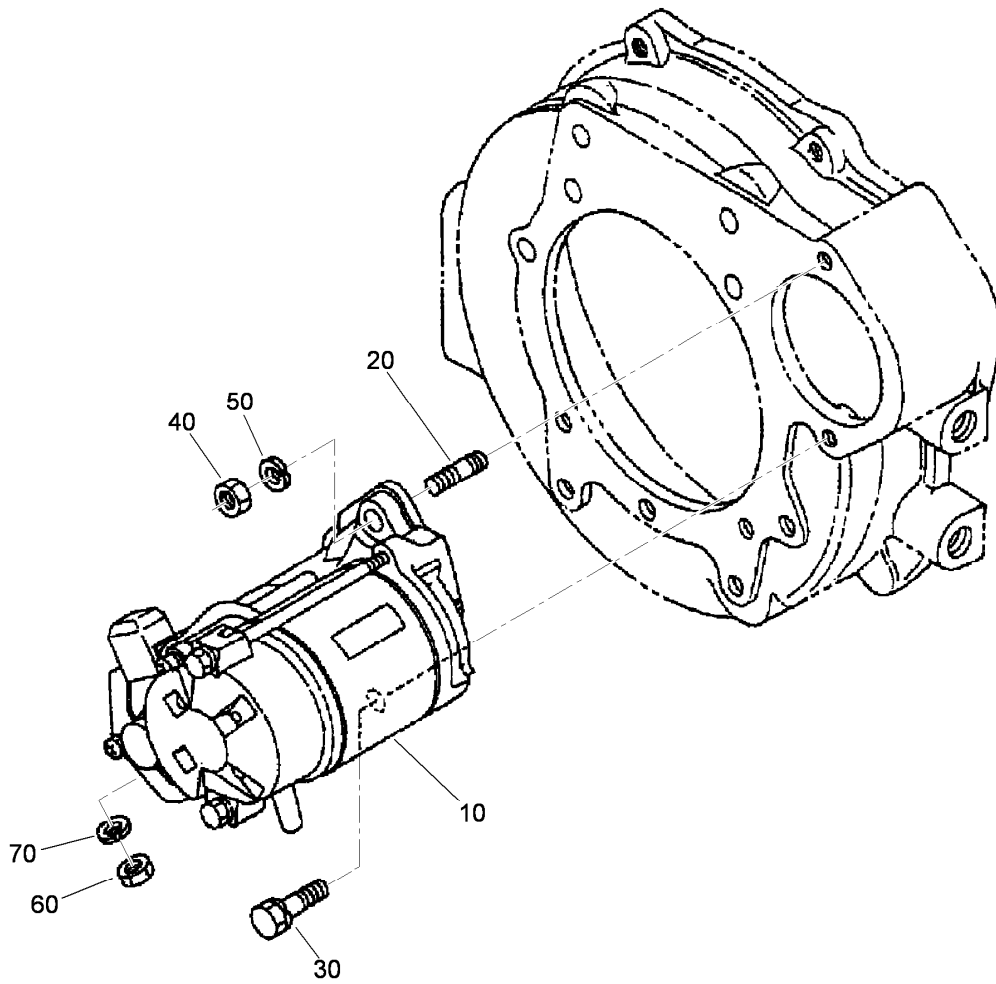
Alternator and Pulley Assembly

<i>Ref.</i>	<i>Part Number</i>	<i>Qty.</i>	<i>Description</i>
10	98-7693	1	Alternator ASM
20	98-7695	1	Bolt
40	98-9366	1	Washer-Plain
50	108-7088	1	Bolt
70	98-7572	1	Nut
80	98-7699	1	Washer-Spring
90	98-7694	1	Bracket-Alternator
100	98-7701	1	Cover-Belt
110	106-2044	1	Pulley-Drive, Fan
120	98-7451	1	Key-Feather
130	98-7705	1	V-Belt



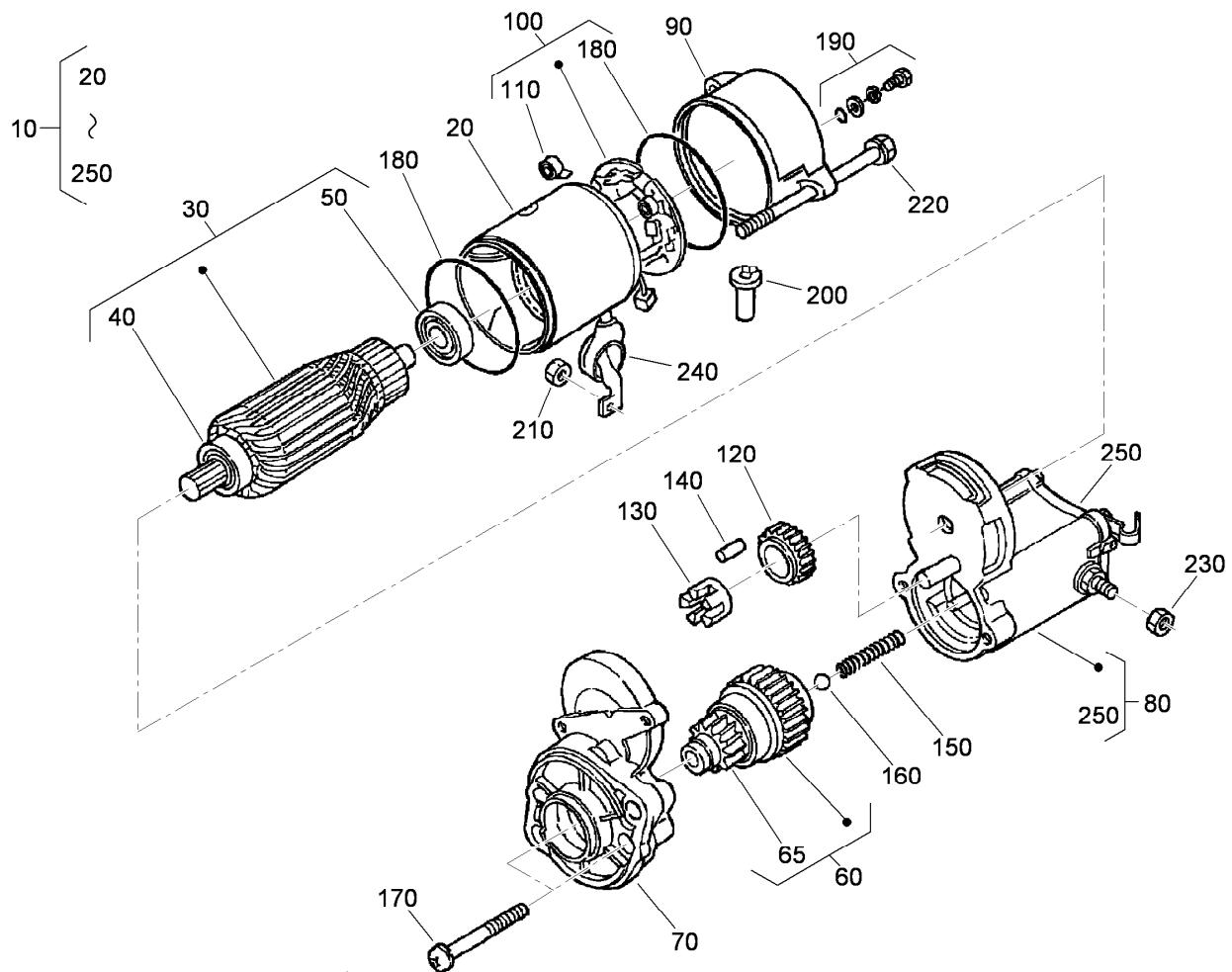
Alternator Components

<i>Ref.</i>	<i>Part Number</i>	<i>Qty.</i>	<i>Description</i>	<i>Ref.</i>	<i>Part Number</i>	<i>Qty.</i>	<i>Description</i>
10	98-7693	1	Alternator ASM	150	107-0140	1	Cover-End
20	98-7707	1	Pulley-Alternator	160	98-7721	1	Rectifier ASM
30	98-7708	1	Nut	170	98-7722	1	Bushing-Insulation
40	98-7709	1	Collar	180	107-0141	1	Brush Holder ASM
50	107-0136	1	Rotor ASM	190	98-7724	2	Brush
60	98-7711	1	Cover-Bearing	200	98-7725	2	Spring-Brush
70	107-0137	1	Bearing-Ball	210	98-7726	2	Screw-Head, Round
80	98-7713	1	Washer-Thrust	220	98-7727	6	Screw-Head, Round
90	107-0139	1	Drive End Frame ASM	230	98-7728	1	Screw-Head, Round
100	98-7715	1	Plate-Retainer	240	98-7729	3	Bolt
110	98-7716	4	Screw-Head, Round	250	98-7730	2	Nut
120	98-7717	2	Bolt-Through	260	98-7731	2	Bolt
130	98-7718	1	Bearing-Ball	270	98-7732	1	Nut
140	98-7719	1	Frame-End	280	110-3799	1	Regulator ASM



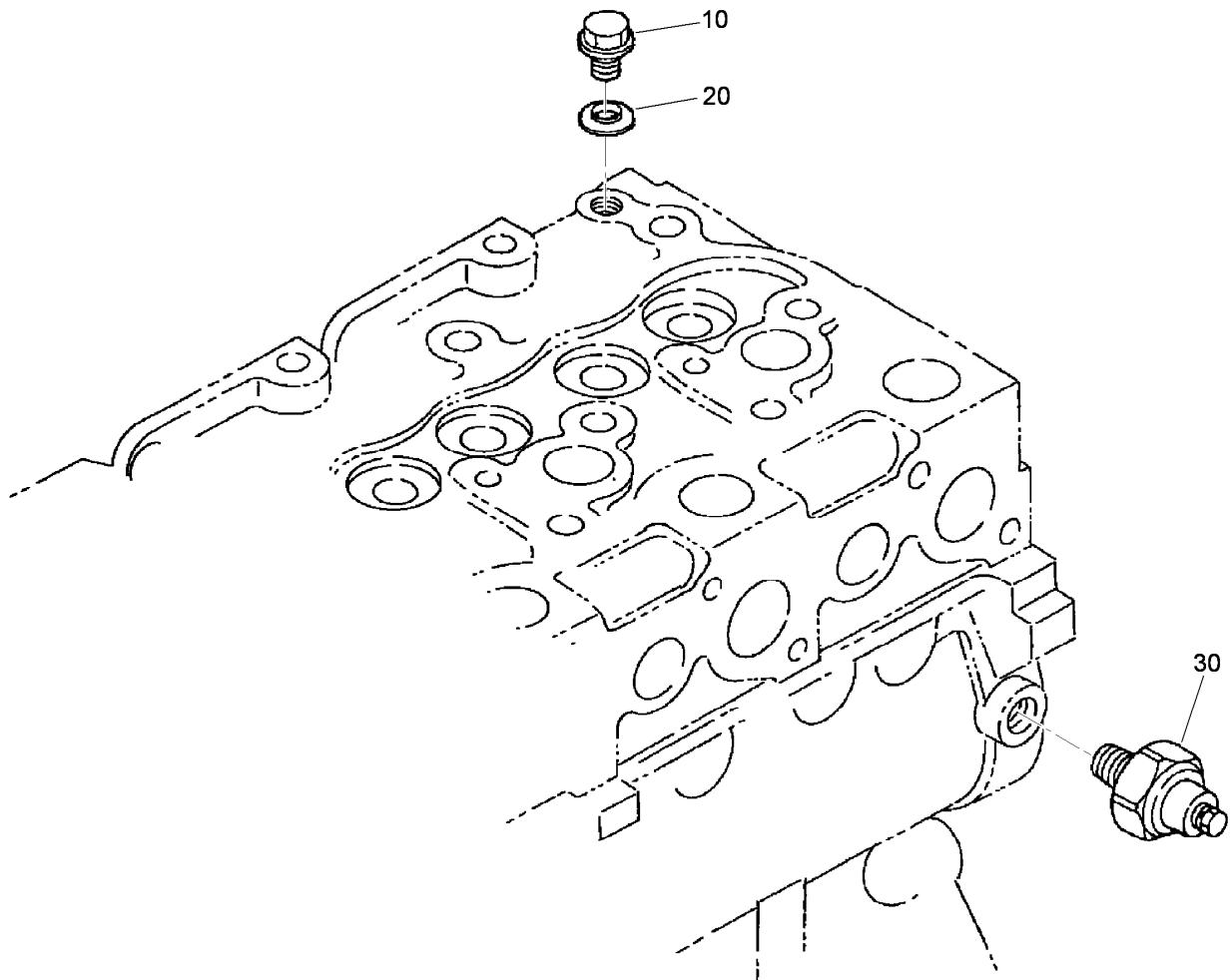
Starter Assembly

<i>Ref.</i>	<i>Part Number</i>	<i>Qty.</i>	<i>Description</i>
10	98-7734	1	Starter ASM
20	98-7735	1	Stud
30	98-7736	1	Bolt
40	99-7526	1	Nut
50	98-7738	1	Washer-Spring
60	98-7739	1	Nut
70	98-7535	1	Washer-Spring



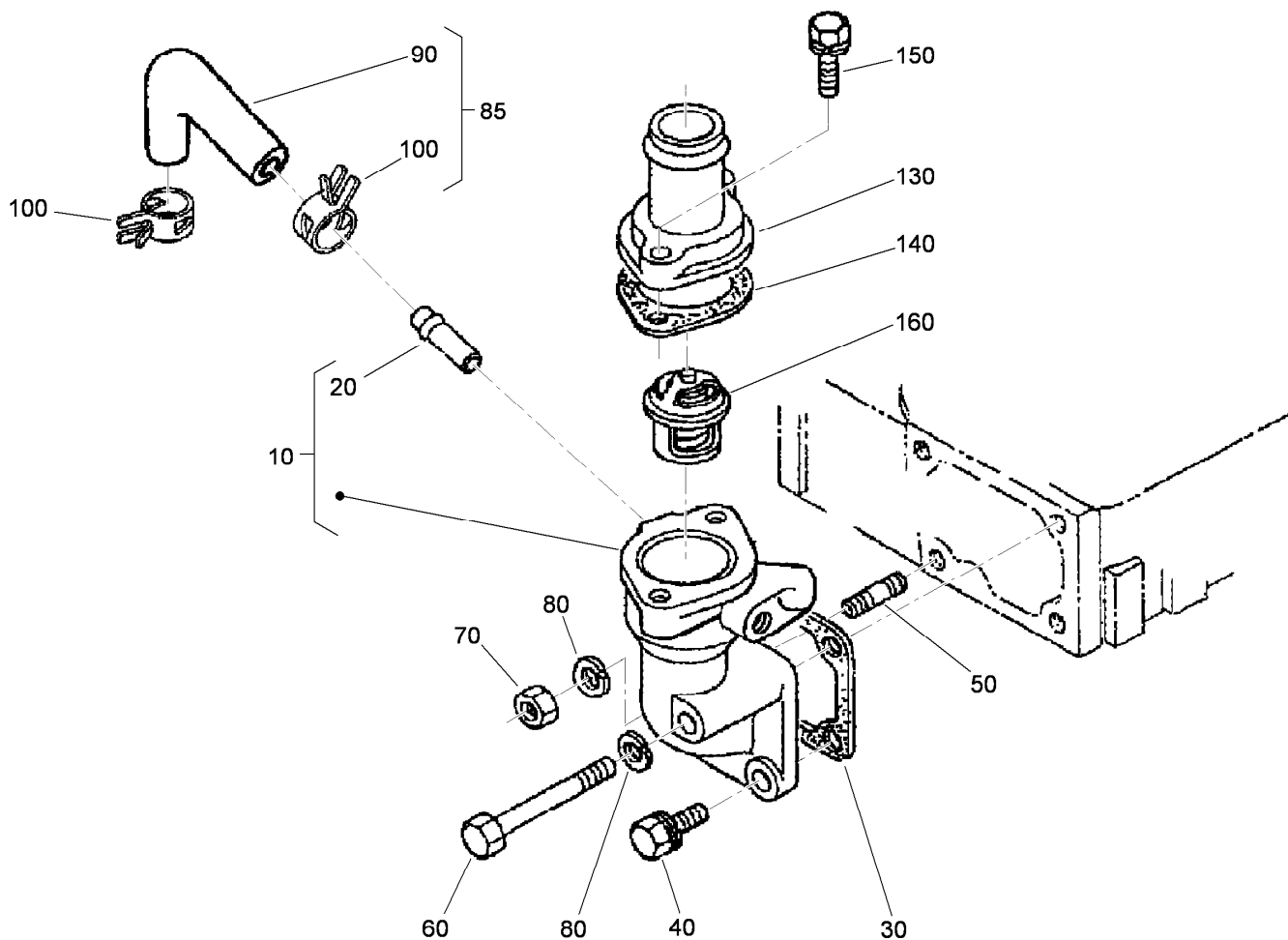
Starter (Component Part) Assembly No. 98-7734

<i>Ref.</i>	<i>Part Number</i>	<i>Qty.</i>	<i>Description</i>	<i>Ref.</i>	<i>Part Number</i>	<i>Qty.</i>	<i>Description</i>
10	98-7734	1	Starter ASM	130	98-7752	1	Retainer
20	98-7741	1	Yoke ASM	140	98-7753	5	Roller
30	98-7742	1	Armature ASM	150	98-7754	1	Spring
40	98-7744	1	Bearing	160	98-7755	1	Ball
50	98-7743	1	Bearing	170	98-7756	2	Bolt
60	98-7745	1	Clutch-Running, Over	180	98-7757	2	O-Ring
65	105-2887	1	Pinion-Bevel	190	98-7758	2	Bolt ASM
70	98-7746	1	Frame-End, Drive	200	98-7759	1	Pipe-Drain
80	110-0019	1	Magnetic Switch ASM	210	98-7760	1	Nut-Hex
90	98-7748	1	Frame-End	220	100-9240	2	Bolt
100	98-7749	1	Brush Holder ASM	230	99-8376	1	Nut-Hex
110	98-7750	4	Spring-Brush	240	110-0020	1	Cover-Terminal
120	98-7751	1	Gear	250	105-2866	1	O-Ring



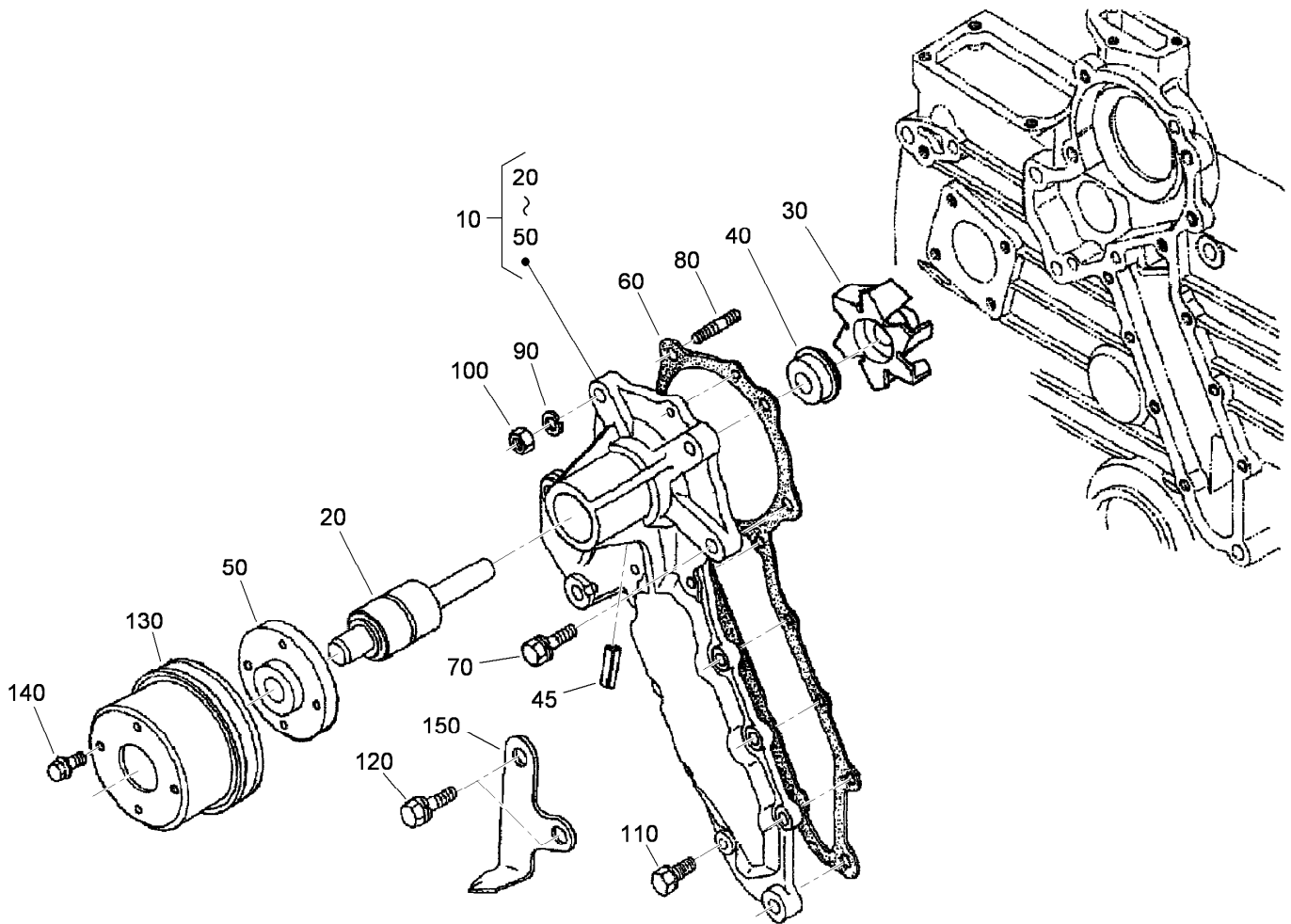
Oil Switch and Plug Assembly

<i>Ref.</i>	<i>Part Number</i>	<i>Qty.</i>	<i>Description</i>
10	98-7762	1	Plug
20	99-7590	1	Washer-Seal
30	98-7764	1	Switch-Oil



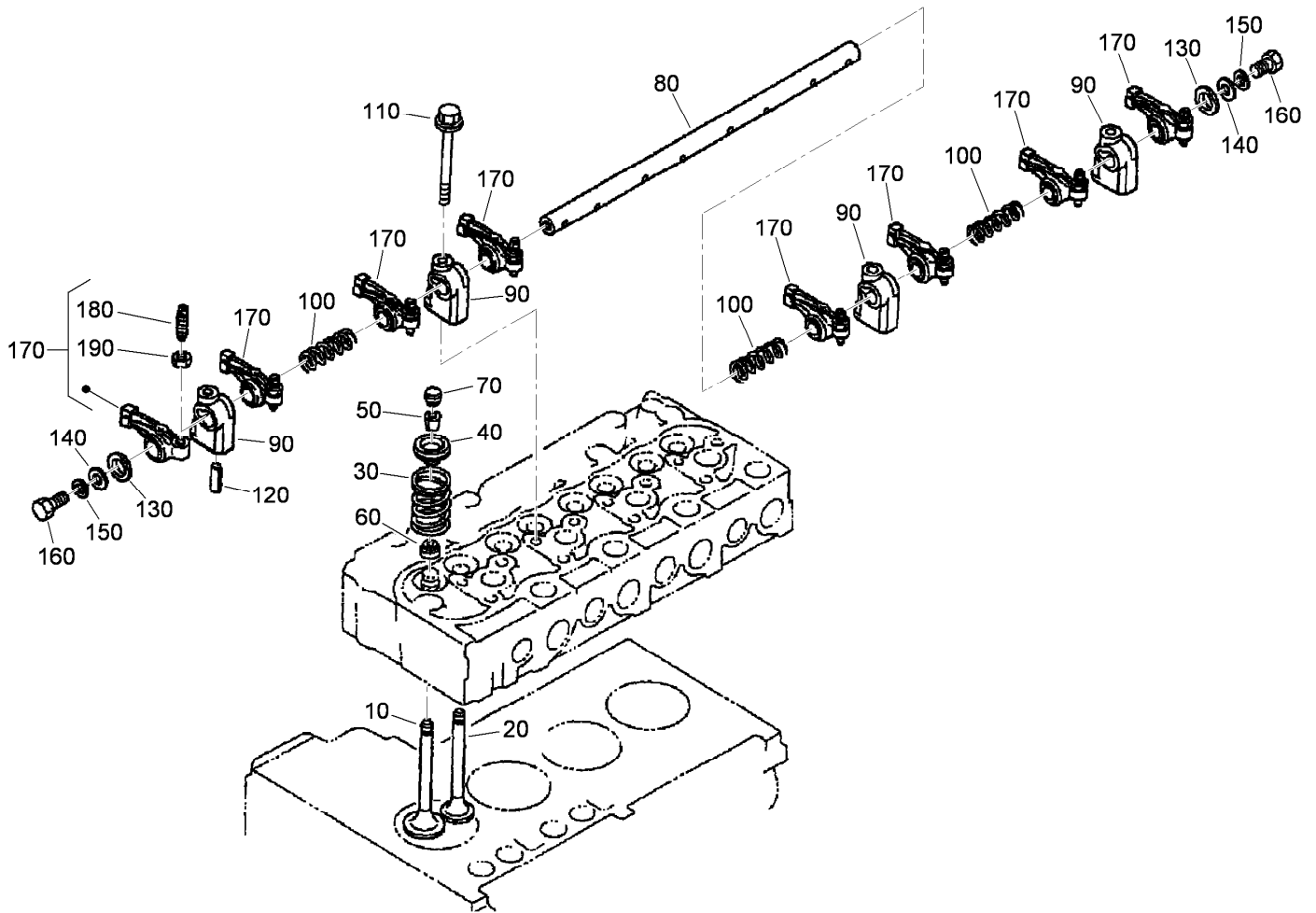
Water Flange and Thermostat Assembly

<i>Ref.</i>	<i>Part Number</i>	<i>Qty.</i>	<i>Description</i>
10	98-7765	1	Water Flange ASM
20	98-7766	1	Pipe-Return, Water
30	98-7767	1	Gasket-Flange, Water
40	98-9359	2	Bolt
50	100-1558	1	Stud-Manifold, Exhaust
60	98-7554	1	Bolt
70	98-7534	1	Nut
80	98-7535	2	Washer-Spring
85	110-0021	1	Pipe ASM
90	110-0022	2	Pipe-Return, Water
100	105-2879	2	Clamp-Hose
130	98-7775	1	Cover-Thermostat
140	105-3748	1	Gasket-Thermostat
150	98-7777	2	Bolt
160	98-7778	1	Thermostat ASM



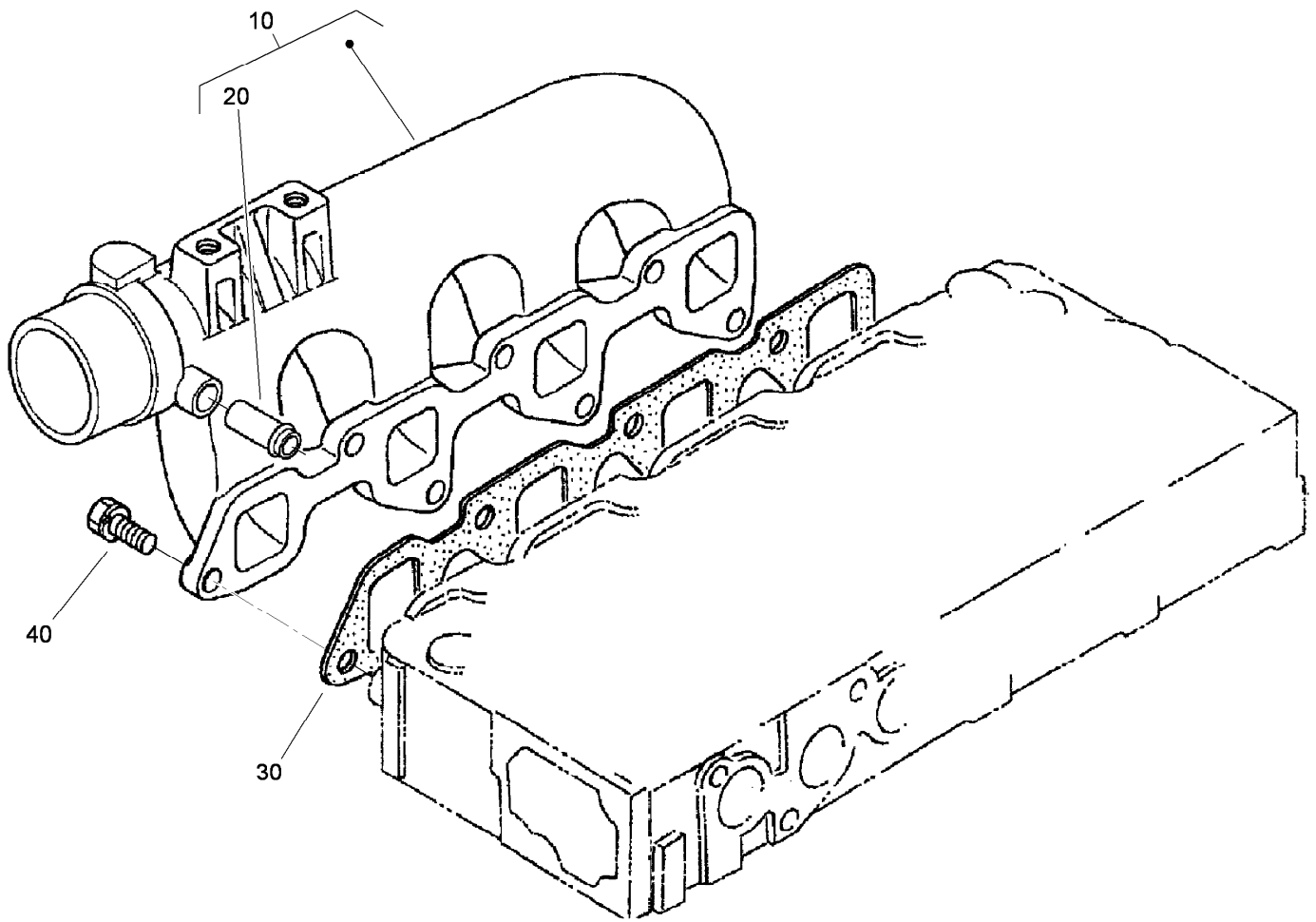
Water Pump Assembly

<i>Ref.</i>	<i>Part Number</i>	<i>Qty.</i>	<i>Description</i>
10	98-7779	1	Water Pump ASM
20	98-7780	1	Bearing-Ball
30	107-0130	1	Impeller-Pump, Water
40	98-7782	1	Mechanical Seal ASM
45	107-0131	1	Pin-Spring
50	108-7089	1	Flange-Shaft, Water Pump
60	98-7784	1	Gasket-Pump, Water
70	98-7439	2	Bolt
80	108-7090	2	Stud
90	98-7535	2	Washer-Spring
100	98-7534	2	Nut
110	98-7605	8	Bolt
120	98-7568	2	Bolt
130	98-7702	1	Pulley-Fan
140	107-4317	4	Bolt-Flange
150	100-9246	1	Indicator-Timing



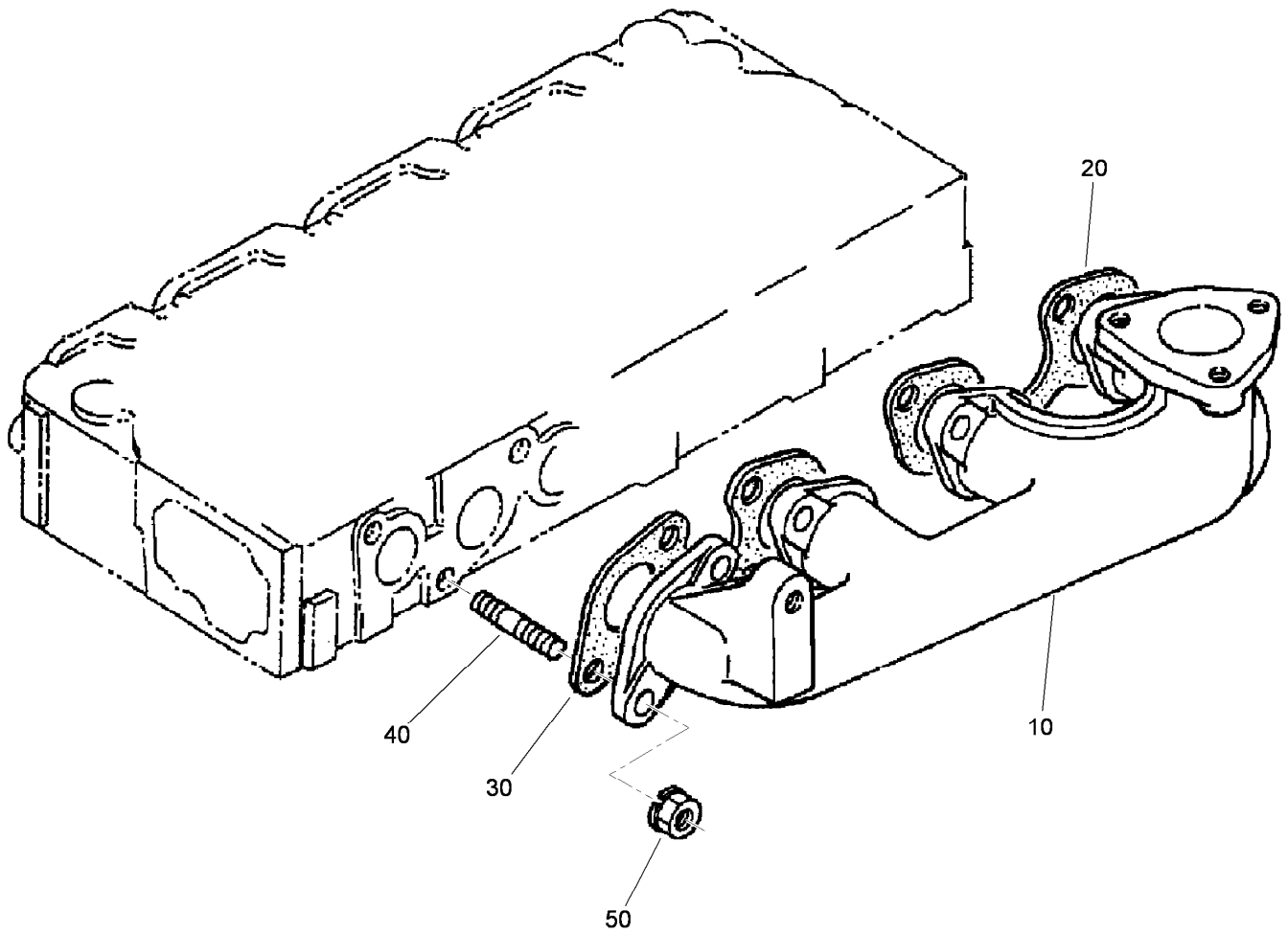
Valve and Rocker Assembly

<i>Ref.</i>	<i>Part Number</i>	<i>Qty.</i>	<i>Description</i>
10	98-7791	4	Valve-Inlet
20	98-7792	4	Valve-Exhaust
30	98-7793	8	Spring-Valve
40	98-7794	8	Retainer-Spring, Valve
50	98-7795	8	Collet-Spring, Valve
60	98-7796	8	Seal-Stem, Valve
70	98-7797	8	Cap-Valve
80	107-0134	1	Shaft-Arm, Rocker
90	98-7800	4	Bracket-Arm, Rocker
100	98-7807	3	Spring-Arm, Rocker
110	108-7091	4	Bolt-Flange
120	98-7805	1	Pin-Spring
130	98-7806	2	Washer
140	98-7660	2	Washer-Plain
150	98-7535	2	Washer-Spring
160	98-7884	2	Bolt
170	98-7809	8	Rocker Arm ASM
180	98-7810	8	Screw-Adjusting
190	98-7811	8	Nut



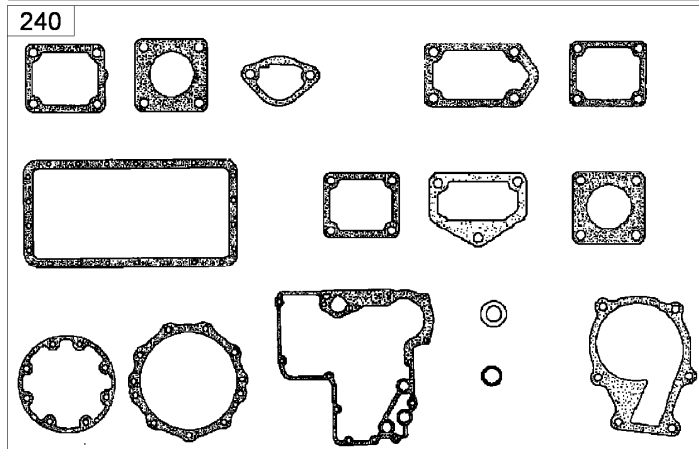
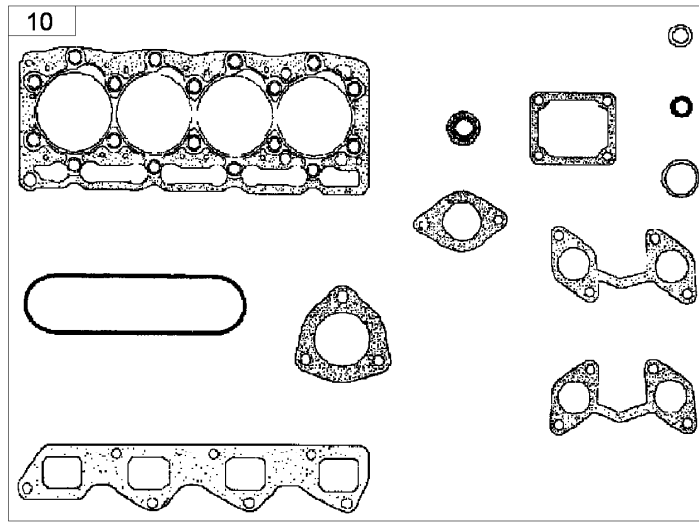
Intake Manifold Assembly

<i>Ref.</i>	<i>Part Number</i>	<i>Qty.</i>	<i>Description</i>
10	110-0023	1	Inlet Manifold ASM
20	98-7766	1	Pipe-Return, Water
30	100-9284	1	Gasket-Manifold, Intake
40	100-2562	7	Bolt



Exhaust Manifold Assembly

<i>Ref.</i>	<i>Part Number</i>	<i>Qty.</i>	<i>Description</i>
10	98-7815	1	Manifold-Exhaust
20	98-7802	1	Gasket
30	98-7803	1	Gasket
40	100-1558	8	Stud-Manifold, Exhaust
50	100-9288	8	Nut



Upper and Lower Gasket Kit

<i>Ref.</i>	<i>Part Number</i>	<i>Qty.</i>	<i>Description</i>
10	98-7887	1	Upper Gasket Kit
240	110-0025	1	Lower Gasket Kit

Attachments and Accessories

For 03707 Reelmaster 4000-D 4 Wheel Drive Traction Unit

Product Name	Model/Part
7-Blade Reel Mower (LH)	03723
7-Blade Reel Mower (RH and Center)	03724
11-Blade Reel Mower (LH).....	03725
11-Blade Reel Mower (RH and Center).....	03726
Dethatcher (LH)	03730
Dethatcher (RH and Center)	03732
Wiehle Roller Kit	03740
Full Roller Kit	03742
5-Blade Reel Mower (LH)	03752
Cutting Unit Floatation Kit	03760
Fixed Head Kit	03762
Two-Piece Hydraulic Tube Replacement Kit	105-3333
Hydraulic Hose Kit For Cutting Units	117-2723
400-hour Filter Maintenance Kit	30061
Rear Roller Scraper Kit for Cutting Units	59-6090
Front Roller Scraper Kit	62-6220
Muffler-Spark Arrest.....	92-6074

Notes:



Count on it.