



**Count on it.**

**Parts Catalog**

**TITAN Z6000**

**Zero-Turn-Radius Riding Mower**

**Model No. 74823—Serial No. 290000001 and Up**

# Ordering Replacement Parts

To order replacement parts, please supply the part number, the quantity, and the description of each part desired.

## Understanding Reference Numbers

Each identified part in an illustration has a reference number. The reference number for a part also appears in the parts list, along with other information about the part.

This catalog uses two special reference number formats, one to indicate parts in a service assembly and another to indicate the quantity of a given part in an illustration.

## Service Assembly Reference Numbers

Parts in service assemblies have reference numbers in the form a:b. The a represents the reference number of the entire service assembly and the b represents a sequential number unique to each part within the service assembly.

For example, a wheel assembly might be identified by reference number 6, the tire by 6:1, the valve by 6:2, and the wheel by 6:3. When you order the assembly identified by reference number 6, you receive all parts identified by reference numbers 6:1, 6:2, and 6:3. However, you may also order any part individually. Reference numbers of this type appear in illustration and in parts lists.

## Reference Numbers Indicating Quantity

In an illustration, if a reference number indicates more than one part, the reference number has the form nX y. The n represents the quantity of the part, the X is the multiplication symbol, and the y represents the reference number.

For example, in an illustration, the reference number 2X 37 means that two of the parts identified by reference number 37 are indicated.

# List of Abbreviations

**AR:** as required

**ASM:** assembly

**BBC:** blade brake clutch

**CARR:** carriage

**CCW:** counter clock wise

**CW:** clockwise

**DEG:** degrees

**ECM:** electronic control module

**EXT:** external

**FH:** flat head

**GA:** gauge

**HD:** heavy-duty

**HF:** hex flange

**HH:** hex head

**HHF:** hex head flange

**HHFTF:** hex head flange thread forming

**HJ:** hex jam

**HLH:** hex lag head

**HOC:** height-of-cut

**HSBH:** hex socket button head

**HSFH:** hex socket flat head

**HSH:** hex socket head

**HWH:** hex washer head

**HWHTF:** hex washer head thread forming

**HYD:** hydraulic

**LH:** left hand

**NI:** nylon insert

**NPTF:** national pipe thread fine

**PFH:** phillips flat head

**PPH:** phillips pan head

**PPHTF:** phillips pan head thread forming

**PRH:** phillips round head

**PTH:** phillips truss head

**PTO:** power-take-off

**RH:** right hand

**ROPS:** roll-over protection system

**SFH:** slotted fillister head

**SHH:** slotted hex head

**SHWH:** slotted hex washer head

**SPH:** slotted pan head

**SQH:** square head

**SRH:** slotted round head

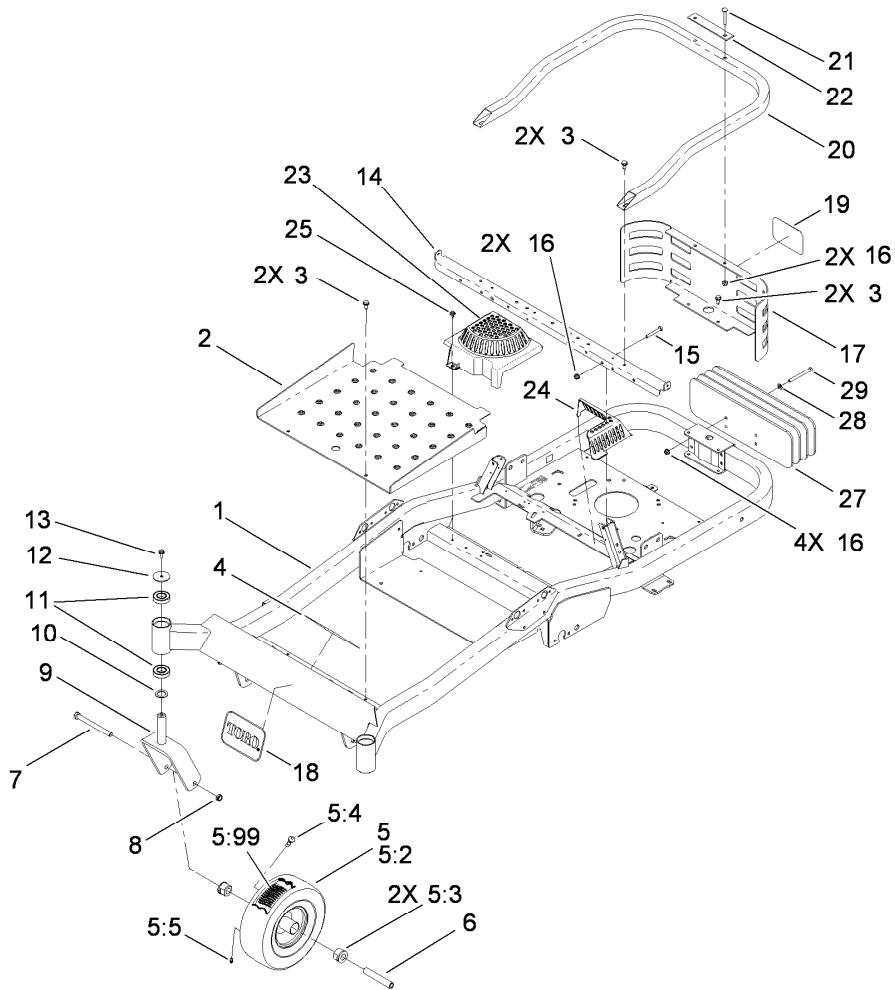
**STD:** standard

**TAP:** self tapping

**TTH:** torx truss head

# Contents

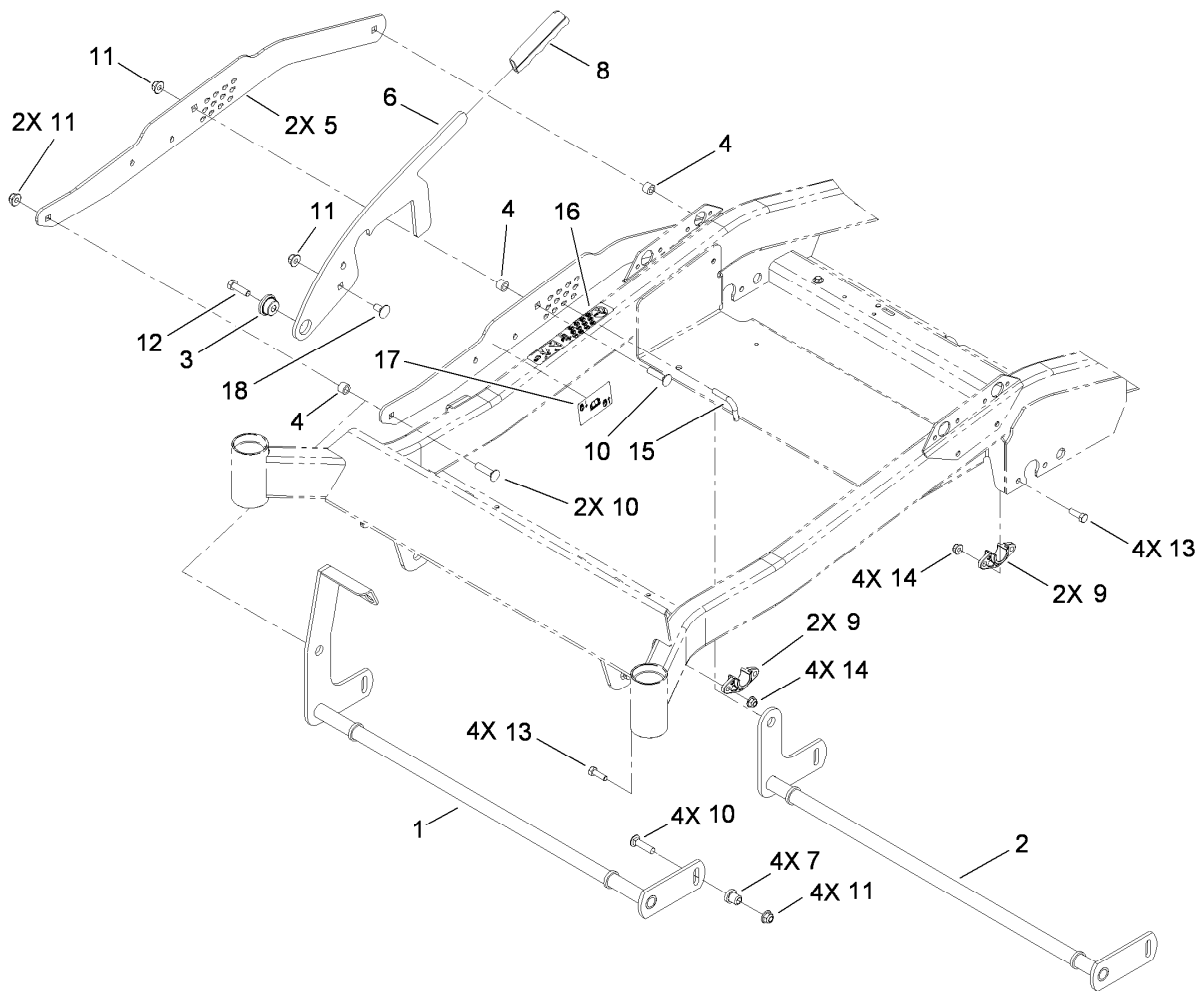
Main Frame and Front Caster Wheel Assembly .....	4
Deck Lift Assembly .....	5
Motion Control Assembly .....	6
Parking Brake Assembly .....	7
Handle Control Assembly .....	8
Seat Assembly .....	9
RH Hydro Assembly .....	10
LH Hydro Assembly .....	12
Traction Drive Assembly .....	14
Engine, Clutch and Exhaust Assembly .....	15
Fuel Delivery System .....	16
Body and Styling Assembly .....	17
Electrical Assembly .....	18
60 Inch Deck Assembly .....	19
Deck and Decal Assembly No. 117-5375 .....	20
60 Inch Deck Spindle and Blade Assembly .....	21
Crankshaft Assembly Kohler SV830-0016 .....	22
Crankcase Assembly Kohler SV830-0016 .....	23
Head, Valve and Breather Assembly Kohler SV830-0016 .....	24
Oil Pan and Lubrication Assembly Kohler SV830-0016 .....	26
Ignition and Electrical Assembly Kohler SV830-0016 .....	27
Blower Housing Assembly Kohler SV830-0016 .....	28
Starter Assembly Kohler SV830-0016 .....	29
Fuel System Assembly Kohler SV830-0016 .....	30
Engine Control Assembly Kohler SV830-0016 .....	31
Air Intake and Filtration Assembly Kohler SV830-0016 .....	32
Decals Kohler SV830-0016 .....	33
Attachments and Accessories .....	34



## Main Frame and Front Caster Wheel Assembly

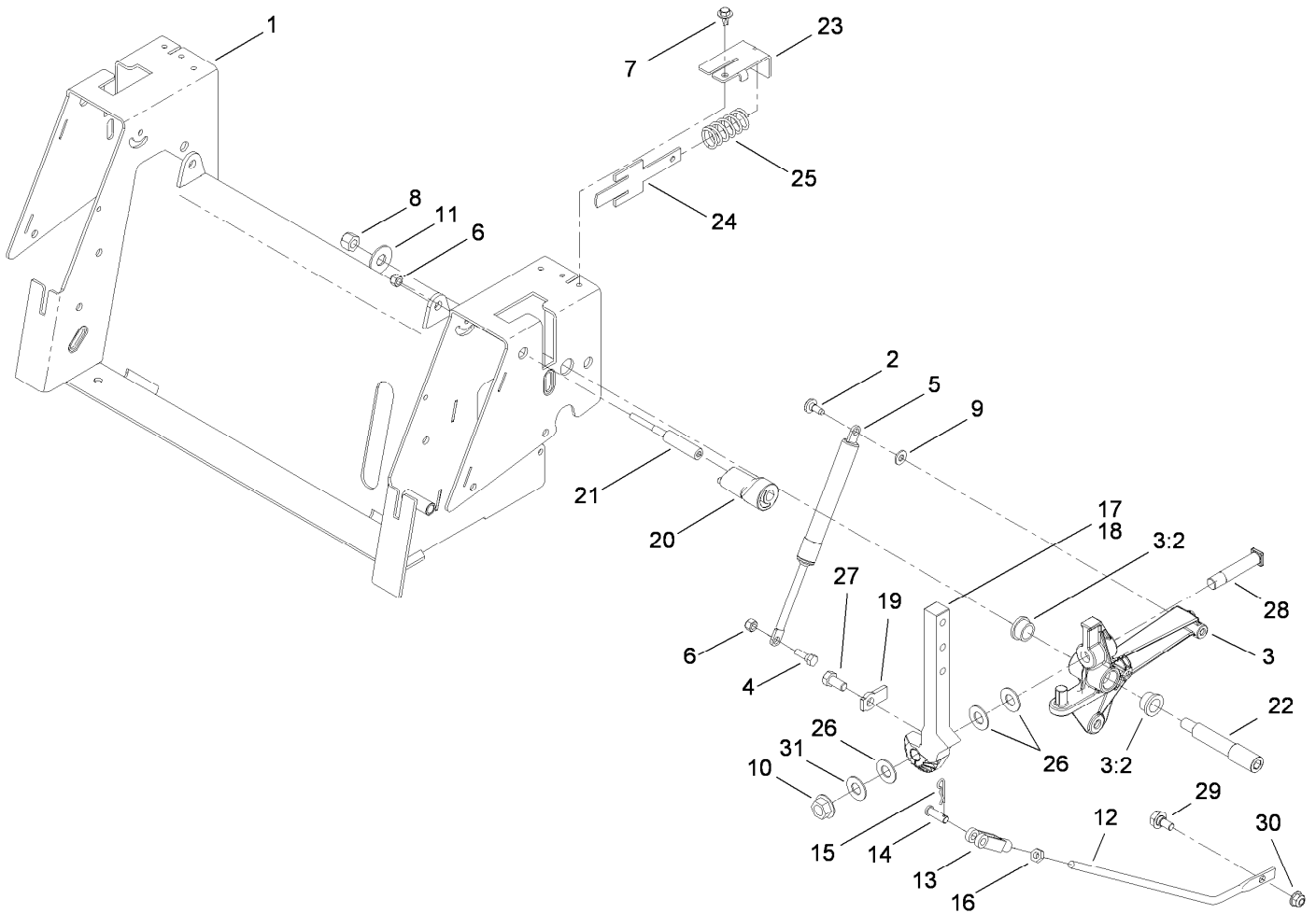
Ref.	Part Number	Qty.	Description
1	115-2534-01	1	Frame
2	115-2531-03	1	Floorpan
3	32144-70	6	Screw-HWHTF
4	109-8965	1	Decal-Safety
5	115-2554	2	Wheel And Tire ASM
5:2	115-2557	1	Tire-Smooth
5:3	114-1640	2	Bushing-Flange
5:4	232-27	1	Stem-Valve
5:5	302-5	1	Fitting-Grease
5:99	117-1234	1	Tube-Inner
6	104-3667	2	Spanner-Wheel
7	325-22	2	Screw-HH
8	3296-45	2	Nut-Lock, NI
9	110-6634-01	2	Caster Fork ASM
10	10-8110	2	Washer-Thrust
11	109-3678	4	Bearing-Ball
12	109-3724	2	Washer

Ref.	Part Number	Qty.	Description
13	3234-47	2	Screw-HHF
14	115-2566-03	1	Support-Seat
15	322-11	2	Screw-HH
16	104-8300	8	Nut-Flange, NI
17	115-2632-03	1	Guard-Rear, Shield
18	62-5550	1	Decal
19	105-8278	1	Decal
20	115-2565-01	1	Guard-Rear, Tube
21	3230-6	2	Screw-CARR
22	115-5061-01	1	Plate-Spacer
23	117-1241	1	Cover-Fan, RH
24	117-1242	1	Cover-Fan, LH
25	46-8560	2	Screw-HHF
27	117-5396-03	4	Plate-Weight, 60 Inch
28	3256-23	4	Washer-Flat
29	322-22	4	Screw-HH



## Deck Lift Assembly

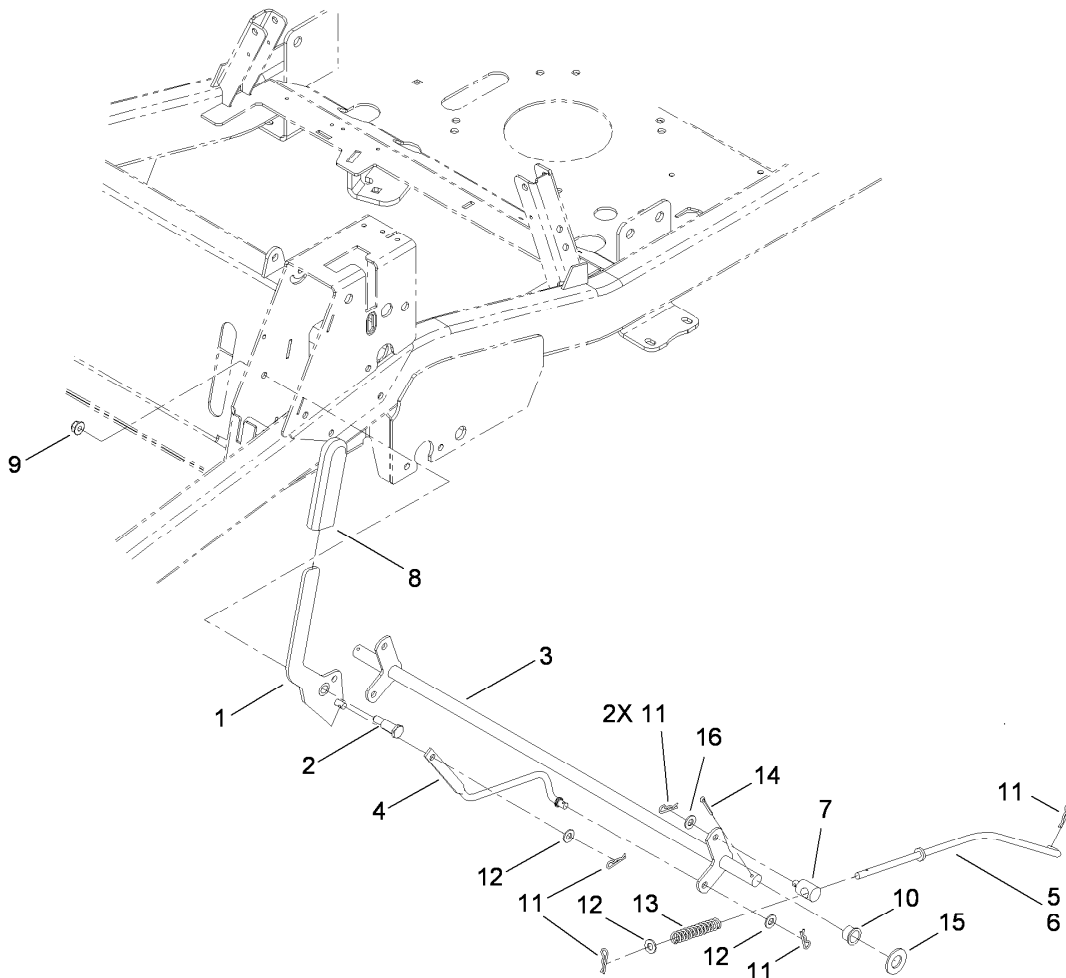
Ref.	Part Number	Qty.	Description
1	115-2495-03	1	Pivot-Front
2	115-2498-03	1	Pivot-Rear
3	117-1281	1	Bushing-Mount, HOC
4	115-4986	3	Spacer
5	115-2503-03	2	Plate-Lift, Foot
6	115-2504	1	Plate-Stop, HOC
7	65-5950	4	Bushing-Pulley
8	115-5033	1	Grip
9	115-5065	4	Bushing-Flange
10	3231-4	7	Screw-CARR
11	104-8301	8	Nut-Flange, NI
12	323-7	1	Screw-HH
13	322-5	8	Screw-HH
14	104-8300	8	Nut-Flange, NI
15	117-1280	1	Pin-Keyed
16	115-9644	1	Decal-HOC
17	117-5344	1	Decal-Lock, Deck
18	3231-1	1	Screw-CARR



## Motion Control Assembly

Ref.	Part Number	Qty.	Description	Ref.	Part Number	Qty.	Description
1	115-2546-03	1	Box-Control	16	3220-2	2	Nut-Jam
2	112-4004	2	Screw-Shoulder	17	110-6783-03	1	Arm-Actuator, LH
3	110-6828	2	Activator Arm ASM	18	110-6782-03	1	Arm-Actuator, RH ●
3:2	105-3455	2	Bushing	19	115-5023	2	Tab-Stop
4	106-2214	2	Bolt-Shoulder	20	110-6873	2	Eccentric
5	103-2913	2	Damper-Control, Motion	21	110-6874	2	Screw-Eccentric
6	3296-42	4	Nut-Lock, NI	22	110-6875	2	Bolt-Shoulder
7	46-8560	2	Screw-HHF	23	110-6751	2	Bracket-Return
8	3296-48	2	Nut-Lock, NI	24	110-6750	2	Plate-Return
9	3256-22	2	Washer-Flat	25	110-6752	2	Spring
10	32128-23	2	Nut-HF	26	110-6894	6	Washer-Pivot
11	3256-5	2	Washer-Flat	27	323-4	2	Screw-HH
12	115-2529	2	Link-Bent, Hydro	28	110-6784	2	Bolt-Shoulder
13	1-303105	2	Yoke-Adjustable	29	37-8771	2	Bolt-Shoulder
14	1-808280	2	Pin-Clevis	30	104-8300	2	Nut-Flange, NI
15	1-806003	2	Pin-Cotter, Hair	31	112-9771	2	Washer-Teflon

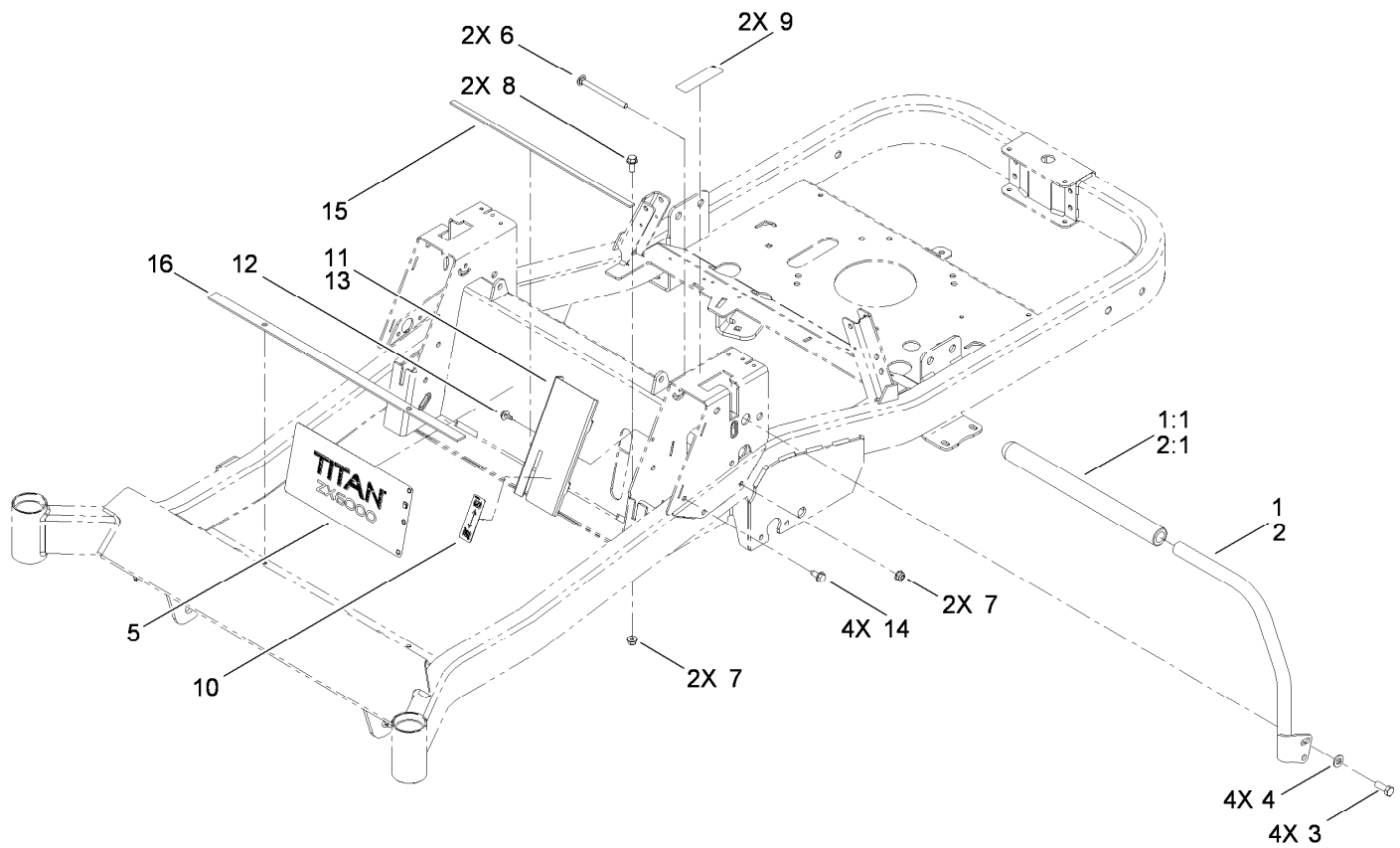
● Not illustrated



## Parking Brake Assembly

Ref.	Part Number	Qty.	Description
1	117-1167	1	Brake Handle ASM
2	63-2650	1	Screw-Shoulder
3	115-5071-03	1	Brake-Bellcrank
4	115-5074	1	Link-Brake
5	115-9679	1	Rod-Brake, LH
6	115-9680	1	Rod-Brake, RH ●
7	115-9681	2	Fitting-Rod
8	1-633268	1	Grip-Lever, Brake
9	104-8300	1	Nut-Flange, NI
10	256-292	2	Bushing-Flange, NI
11	1-806003	8	Pin-Cotter, Hair
12	3256-23	4	Washer-Flat
13	1-603807	2	Spring-Return, Neutral
14	3272-11	2	Pin-Cotter
15	3256-27	2	Washer-Flat
16	40-1940	2	Washer

● Not illustrated

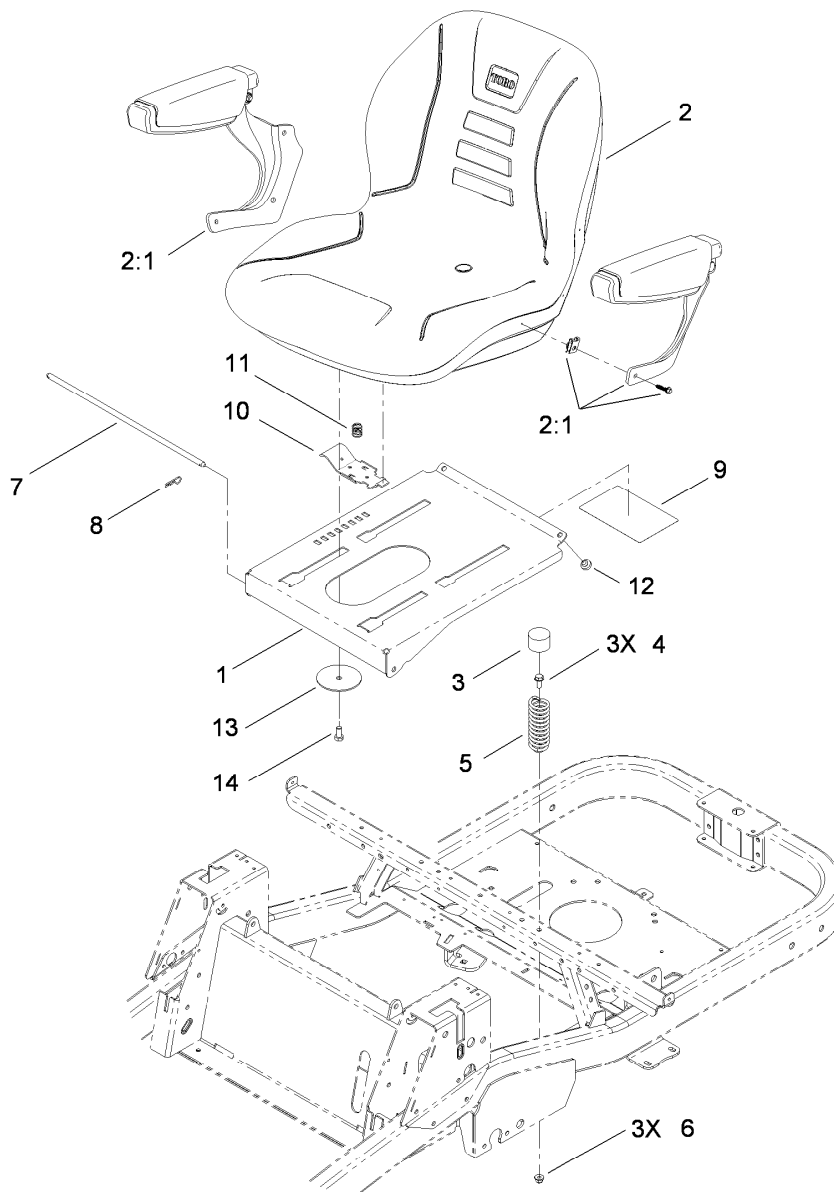


## Handle Control Assembly

Ref.	Part Number	Qty.	Description
1	117-5338	1	LH Control Handle ASM
1:1	108-6187	1	Grip
2	117-5339	1	RH Control Handle ASM ●
2:1	108-6187	1	Grip ●
3	323-6	4	Screw-HH
4	3256-24	4	Washer-Flat
5	115-9629	1	Decal
6	106-9758	2	Screw-CARR
7	104-8300	4	Nut-Flange, NI
8	3234-47	2	Screw-HHF
9	99-8936	2	Decal-Control, Motion
10	115-9625	1	Decal
11	115-2561-03	1	Cover-Control, LH
12	46-8560	2	Screw-HHF
13	117-1255-03	1	Cover-Control, RH ●
14	32144-70	4	Screw-HWHTF
15	117-7237	1	Strip-Anti Vibration
16	117-7238	1	Strip-Anti Vibration

● Not illustrated

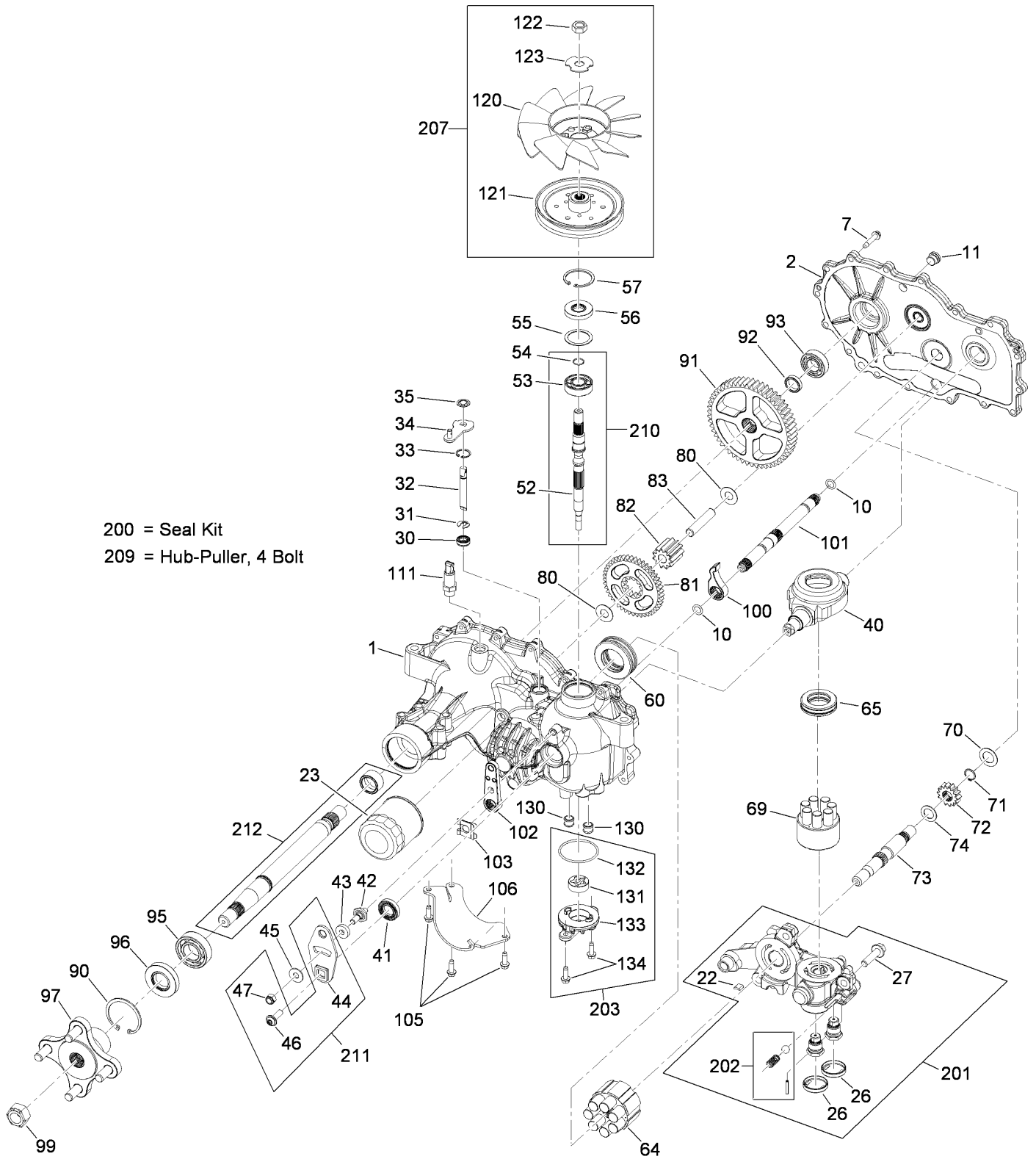




## Seat Assembly

Ref.	Part Number	Qty.	Description
1	117-5320-03	1	Pan-Seat
2	115-5053	1	18 Inch Seat ASM (With Armrest)
2:1	119-3307	1	Armrest Kit
3	701178	3	Cap-Protector
4	3234-47	3	Screw-HHF
5	92-7054	3	Spring-Compression
6	104-8300	3	Nut-Flange, NI
7	115-4966	1	Rod-Stop
8	3290-250	2	Pin-Hair
9	115-9630	1	Decal-Maintenance
10	115-9623	1	Latch-Seat
11	115-9624	1	Spring-Compression
12	1-513658	2	Bumper
13	117-5307	1	Washer-Seat
14	323-4	1	Screw-HH

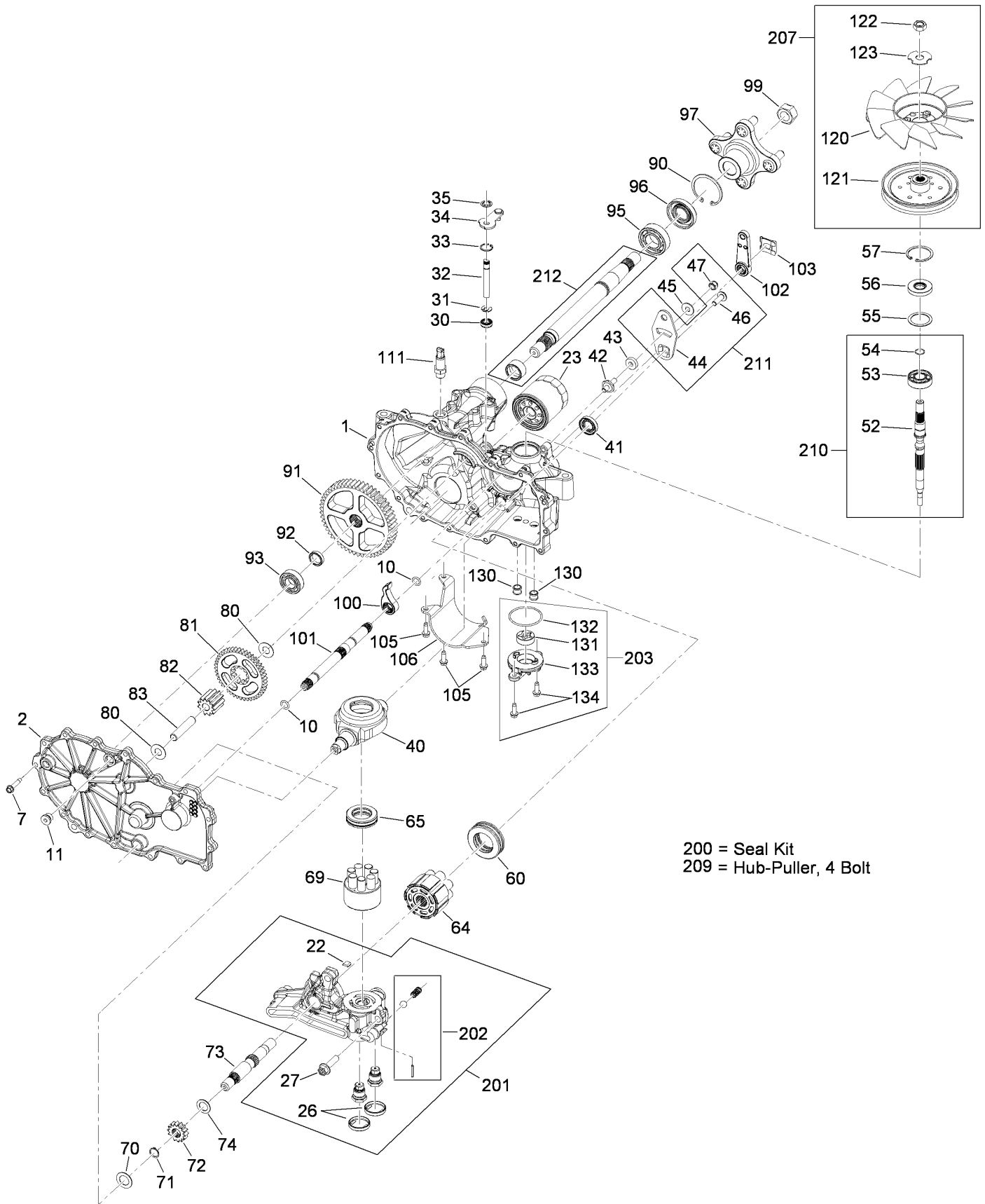
# RH Hydro Assembly



## RH Hydro Assembly (continued)

<i>Ref.</i>	<i>Part Number</i>	<i>Qty.</i>	<i>Description</i>	<i>Ref.</i>	<i>Part Number</i>	<i>Qty.</i>	<i>Description</i>
1	117-5357	1	RH Main Housing Kit	80	94-1933	1	Washer
2	117-5358	1	RH Housing Side Kit	81	114-1692	1	Gear-45T
7	117-5359	16	Screw-Hfhcs	82	114-1693	1	Gear-11T
10	114-1678	2	O-Ring	83	104-5329	1	Pin-Jackshaft
11	104-2189	1	Plug-Thread, Straight	90	104-2169	1	Ring-Retaining
22	114-1680	1	Plate-Bypass	91	114-1694	1	Gear-54T
23	109-3321	1	Element-Oil Filter, HYD	92	114-1695	1	Spacer
26	114-1683	2	Seal-Plug	93	114-1696	1	Bearing-Ball
27	114-1684	3	Screw-Hfhc	95	104-2143	1	Bearing-Ball
30	106-8676	1	Seal-Lip	96	104-2144	1	Seal
31	106-8677	1	Ring-Retaining, EXT	97	109-5939	1	Hub Kit
32	114-1685	1	Rod-Bypass	99	105-1895	1	Nut
33	106-8679	1	Ring-Retaining, Int	100	114-1697	1	Pawl-Brake
34	107-2490	1	Arm-Bypass	101	117-5360	1	Shaft-Brake
35	106-8681	1	Ring-Retaining, EXT	102	114-1699	1	Handle-Brake
40	104-5304	1	Swashplate-Trunnion	103	114-8450	1	Clip-Retaining
41	104-5313	1	Seal-Lip	105	104-2120	3	Screw
42	104-2116	1	Stud	106	114-8473	1	Guard-Filter, LH
43	112-9853	1	Puck-Friction	111	109-3278	1	Adapter-Straight
44	106-8747	1	Arm-Control	120	114-8453	1	Fan-7.0
45	114-8491	1	Washer	121	114-8454	1	Pulley-5.0 Inch
46	107-2488	1	Screw	122	104-2168	1	Nut-Hex
47	105-1872	1	Nut	123	107-9122	1	Washer-Slotted
52	114-1687	1	Shaft-Input	130	114-8455	2	Tube-Connecting
53	104-5311	1	Bearing-Ball	131	104-2122	1	Gerotor ASM
54	104-5307	1	Ring-Retaining	132	109-3540	1	O-Ring-Seal
55	104-5308	1	Spacer	133	114-8457	1	Cover-Charge Pump
56	104-5310	1	Seal-Lip	134	104-2120	2	Screw
57	104-5309	1	Ring-Retaining	200	109-3537	1	Complete Seal Kit
60	112-4154	1	Bearing-Thrust	201	114-8463	1	RH Center Section Kit
64	114-1689	1	Motor Cylinder Block Kit	202	114-8464	1	Charge Relief Kit
65	94-6922	1	Bearing-Thrust	203	114-8465	1	Charge Kit
69	110-8561	1	Pump Block ASM	207	109-5938	1	Fan And Pulley Kit
70	104-5339	1	Washer-Flat	209	114-8467	1	Hub-Puller, 4 Bolt
71	104-5340	1	Ring-Retaining	210	117-5361	1	Shaft Input Kit
72	114-1690	1	Gear-14T	211	117-5362	1	Arm Control Kit
73	114-1691	1	Shaft-Motor	212	114-8470	1	Axle Shaft Kit
74	104-5360	1	Washer-Shaft, Motor				

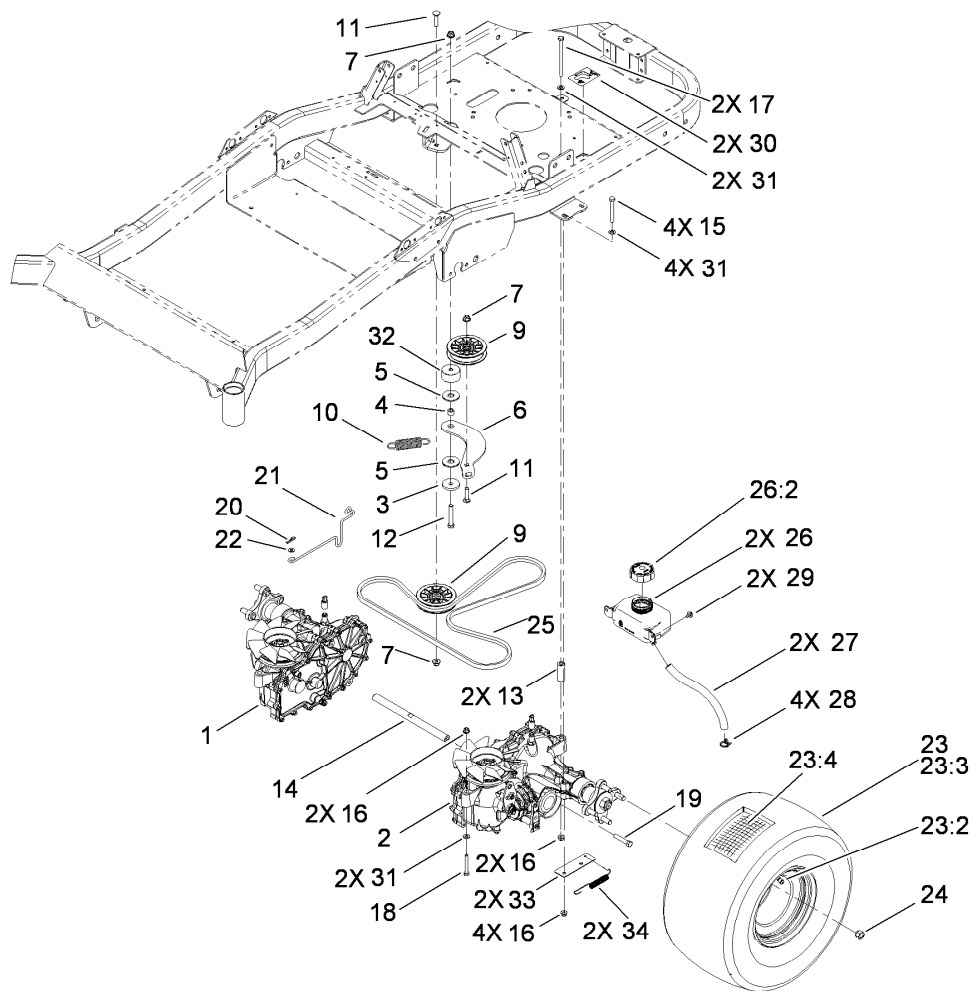
# LH Hydro Assembly



200 = Seal Kit  
 209 = Hub-Puller, 4 Bolt

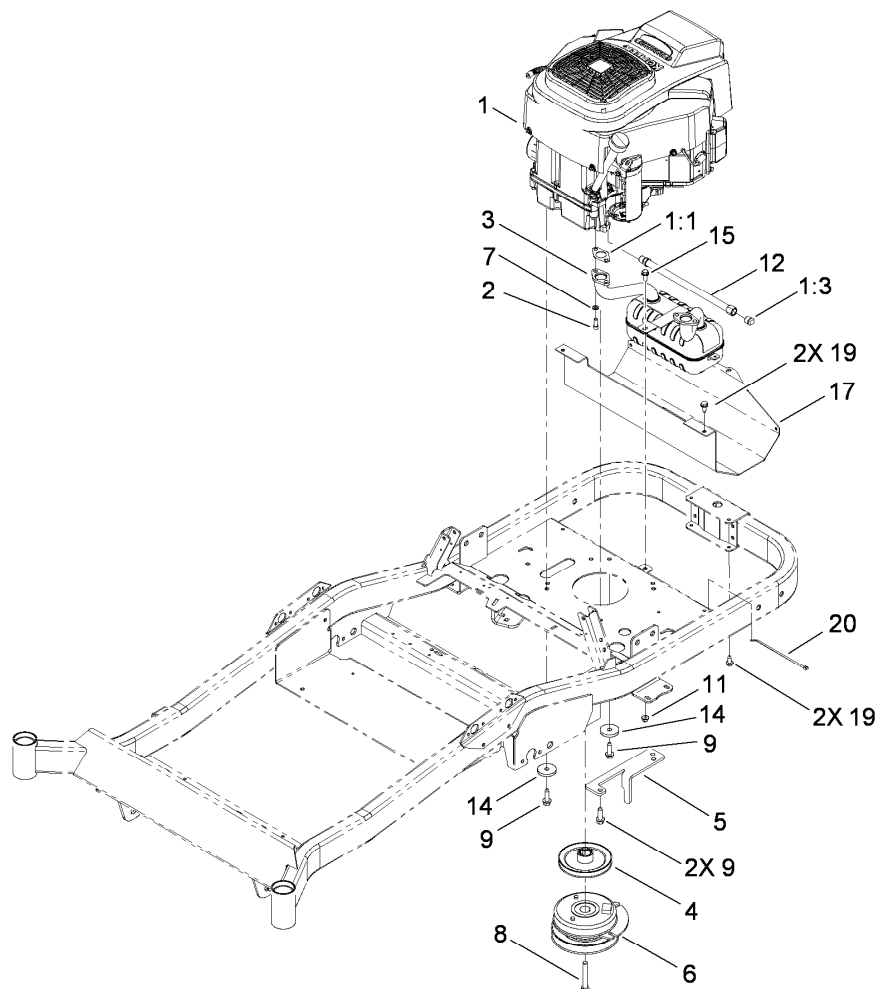
## LH Hydro Assembly (continued)

<i>Ref.</i>	<i>Part Number</i>	<i>Qty.</i>	<i>Description</i>	<i>Ref.</i>	<i>Part Number</i>	<i>Qty.</i>	<i>Description</i>
1	114-8471	1	LH Main Housing Kit	80	94-1933	2	Washer
2	114-8472	1	LH Side Cover Kit	81	114-1692	1	Gear-45T
7	117-5359	16	Screw-Hfhcs	82	114-1693	1	Gear-11T
10	114-1678	2	O-Ring	83	104-5329	1	Pin-Jackshaft
11	104-2189	1	Plug-Thread, Straight	90	104-2169	1	Ring-Retaining
22	114-1680	1	Plate-Bypass	91	114-1694	1	Gear-54T
23	109-3321	1	Element-Oil Filter, HYD	92	114-1695	1	Spacer
26	114-1683	2	Seal-Plug	93	114-1696	1	Bearing-Ball
27	114-1684	3	Screw-Hfhc	95	104-2143	1	Bearing-Ball
30	106-8676	1	Seal-Lip	96	104-2144	1	Seal
31	106-8677	1	Ring-Retaining, EXT	97	109-5939	1	Hub Kit
32	114-1685	1	Rod-Bypass	99	109-3536	1	Nut-Hub
33	106-8679	1	Ring-Retaining, Int	100	114-1697	1	Pawl-Brake
34	107-2490	1	Arm-Bypass	101	117-5360	1	Shaft-Brake
35	106-8681	1	Ring-Retaining, EXT	102	114-1699	1	Handle-Brake
40	104-5304	1	Swashplate-Trunnion	103	114-8450	1	Clip-Retaining
41	104-5313	1	Seal-Lip	105	104-2120	3	Screw
42	104-2116	1	Stud	106	114-8473	1	Guard-Filter, LH
43	112-9853	1	Puck-Friction	111	109-3278	1	Adapter-Straight
44	106-8747	1	Arm-Control	120	114-8453	1	Fan-7.0
45	114-8491	1	Washer	121	114-8454	1	Pulley-5.0 Inch
46	107-2488	1	Screw	122	104-2168	1	Nut-Hex
47	105-1872	1	Nut	123	107-9122	1	Washer-Slotted
52	114-1687	1	Shaft-Input	130	114-8455	2	Tube-Connecting
53	104-5311	1	Bearing-Ball	131	104-2122	1	Gerotor ASM
54	104-5307	1	Ring-Retaining	132	109-3540	1	O-Ring-Seal
55	104-5308	1	Spacer	133	114-8457	1	Cover-Charge Pump
56	104-5310	1	Seal-Lip	134	104-2120	2	Screw
57	104-5309	1	Ring-Retaining	200	109-3537	1	Complete Seal Kit
60	114-1688	1	Bearing-Thrust	201	114-8476	1	LH Center Section Kit
64	114-1689	1	Motor Cylinder Block Kit	202	114-8464	1	Charge Relief Kit
65	94-6922	1	Bearing-Thrust	203	114-8465	1	Charge Kit
69	110-8561	1	Pump Block ASM	207	109-5938	1	Fan And Pulley Kit
70	104-5339	1	Washer-Flat	209	114-8467	1	Hub-Puller, 4 Bolt
71	104-5340	1	Ring-Retaining	210	117-5361	1	Shaft Input Kit
72	114-1690	1	Gear-14T	211	117-5362	1	Arm Control Kit
73	114-1691	1	Shaft-Motor	212	114-8470	1	Axle Shaft Kit
74	104-5360	1	Washer-Shaft, Motor				



## Traction Drive Assembly

Ref.	Part Number	Qty.	Description	Ref.	Part Number	Qty.	Description
1	115-2550	1	Hydro-RH	21	115-4990	2	Rod-Bypass
2	115-2551	1	Hydro-LH	22	3256-22	2	Washer-Flat
3	110-9981	1	Washer-Plain	23	115-2593	2	Tire And Rim ASM
4	115-4986	1	Spacer	23:2	232-27	1	Stem-Valve
5	114-0463	2	Washer-Friction, Composite	23:3	99-2994	1	Tire
6	117-5350	1	Arm-Idler	23:4	93-3893	1	Tube-Inner
7	104-8301	3	Nut-Flange, NI	24	242-50	8	Nut-Lug
9	109-3397	2	Pulley-Idler, Flat	25	115-9613	1	V-Belt
10	1-603402	1	Spring-Extension	26	115-9618	1	HYD Reservoir ASM
11	3231-4	2	Screw-CARR	26:2	109-3320	1	Cap-Reservoir, Hydraulic
12	323-12	1	Screw-HH	27	115-4969	2	Hose-Overflow
13	109-3652	2	Spacer-Hydro	28	117-1193	4	Clamp-Hose
14	115-2559	1	Shaft-Cross, Hydro	29	46-8560	2	Screw-HHF
15	322-13	4	Screw-HH	30	117-1158	2	Decal-Bypass
16	104-8300	8	Nut-Flange, NI	31	3256-23	8	Washer-Flat
17	322-38	2	Screw-HH	32	117-5351	1	Spacer
18	322-11	2	Screw-HH	33	117-7248-03	2	Plate-Spring
19	323-10	2	Screw-HH	34	110769	2	Spring-Extension
20	1-806003	2	Pin-Cotter, Hair				

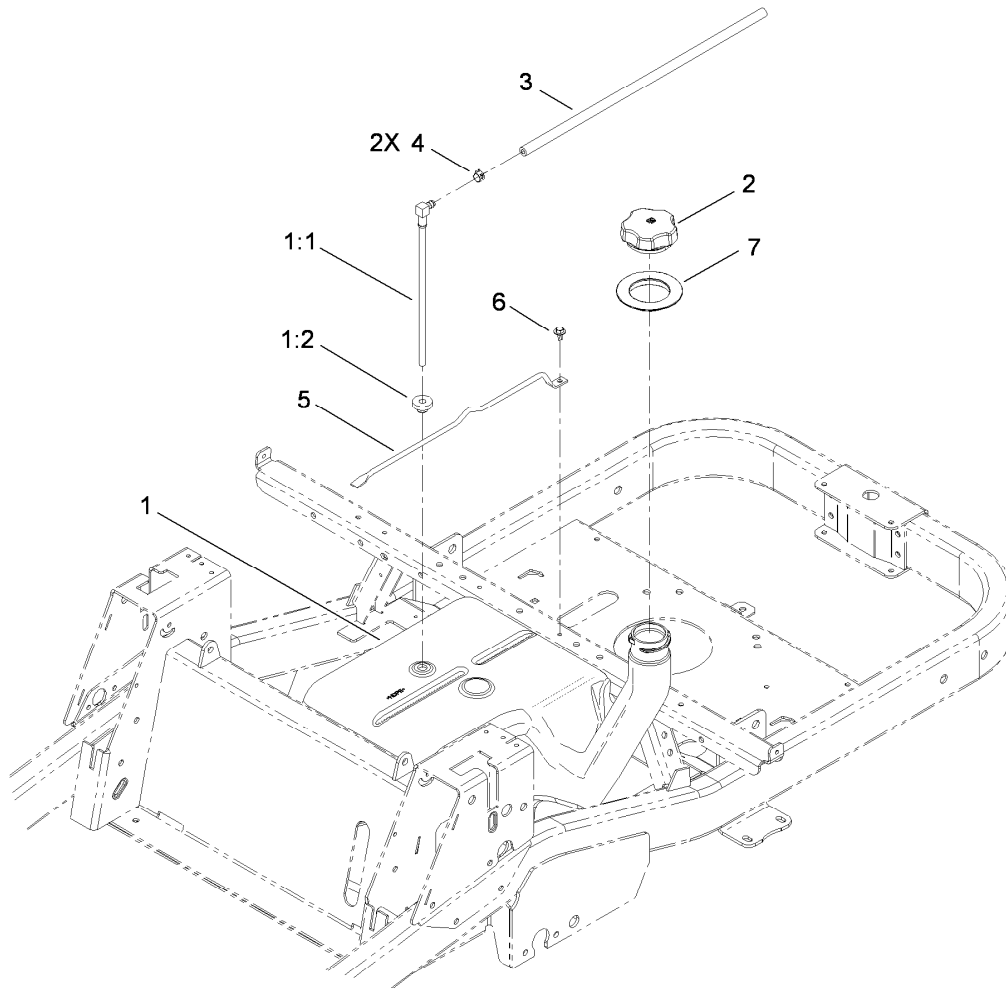


## Engine, Clutch and Exhaust Assembly

Ref.	Part Number	Qty.	Description
1		1	Engine-Kohler, Ps-Sv830-0016 ●■
1:1	110-6697	2	Gasket-Exhaust
1:3	281-2	1	Plug-Pipe, SQH
2	3274-10	4	Screw-HSH
3	115-9676	1	Muffler-Kohler Twin
4	115-2568	1	Pulley-Engine
5	117-1269-03	1	Bracket-Stop, PTO
6	117-1252	1	Clutch-PTO
7	3253-4	4	Washer-Lock
8	3212-11	1	Screw-HH
9	32144-109	4	Screw
11	104-8300	1	Nut-Flange, NI
12	117-1261	1	ASM-Hose, Oil Drain
14	110-9981	2	Washer-Plain
15	3234-47	1	Screw-HHF
17	117-5330-03	1	Shield-Heat
19	32144-70	4	Screw-HWHTF
20	614249	1	Strap-Tie

● Not serviced separately

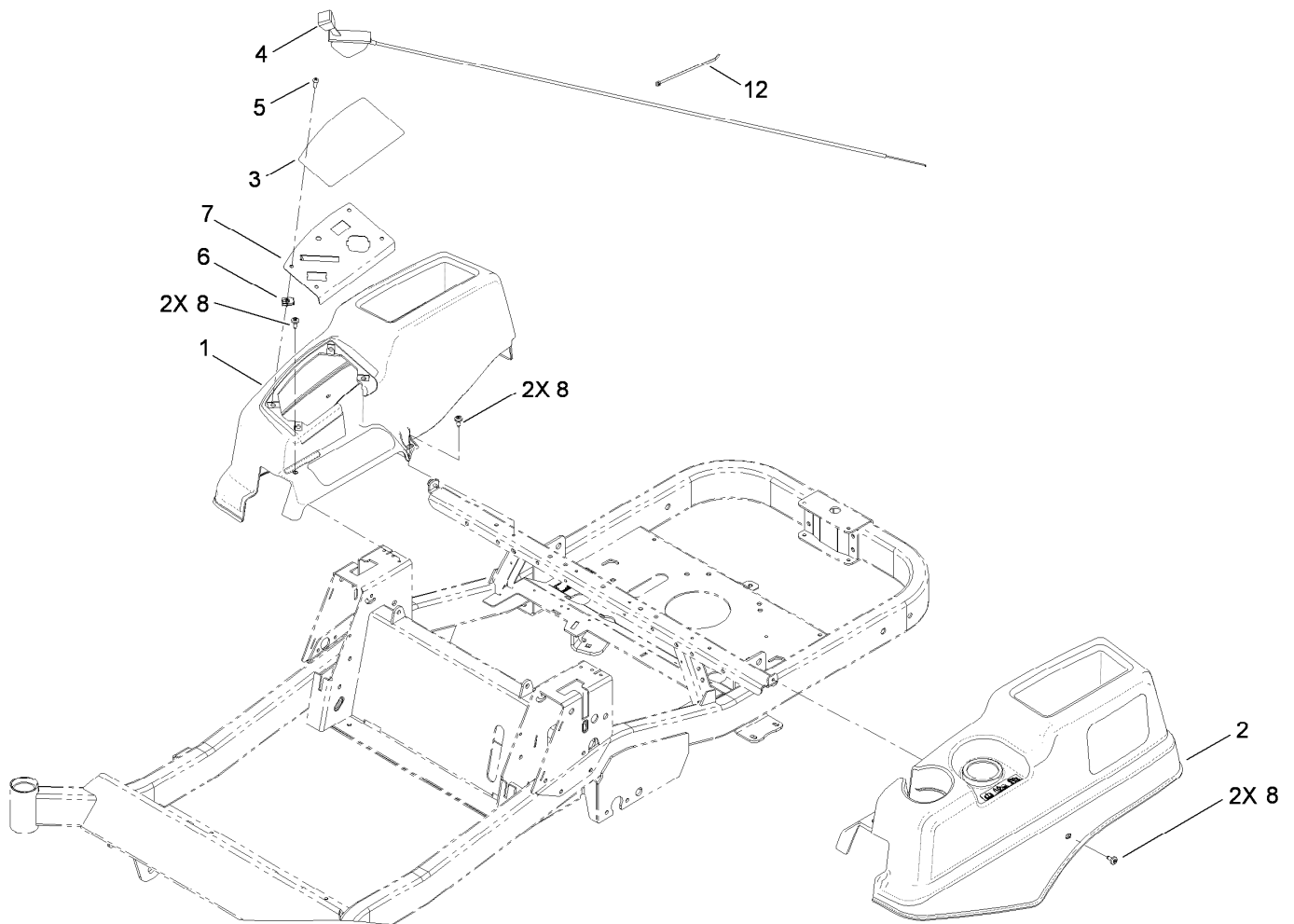
■ Obtain parts from [www.kohlerplus.com](http://www.kohlerplus.com)



## Fuel Delivery System

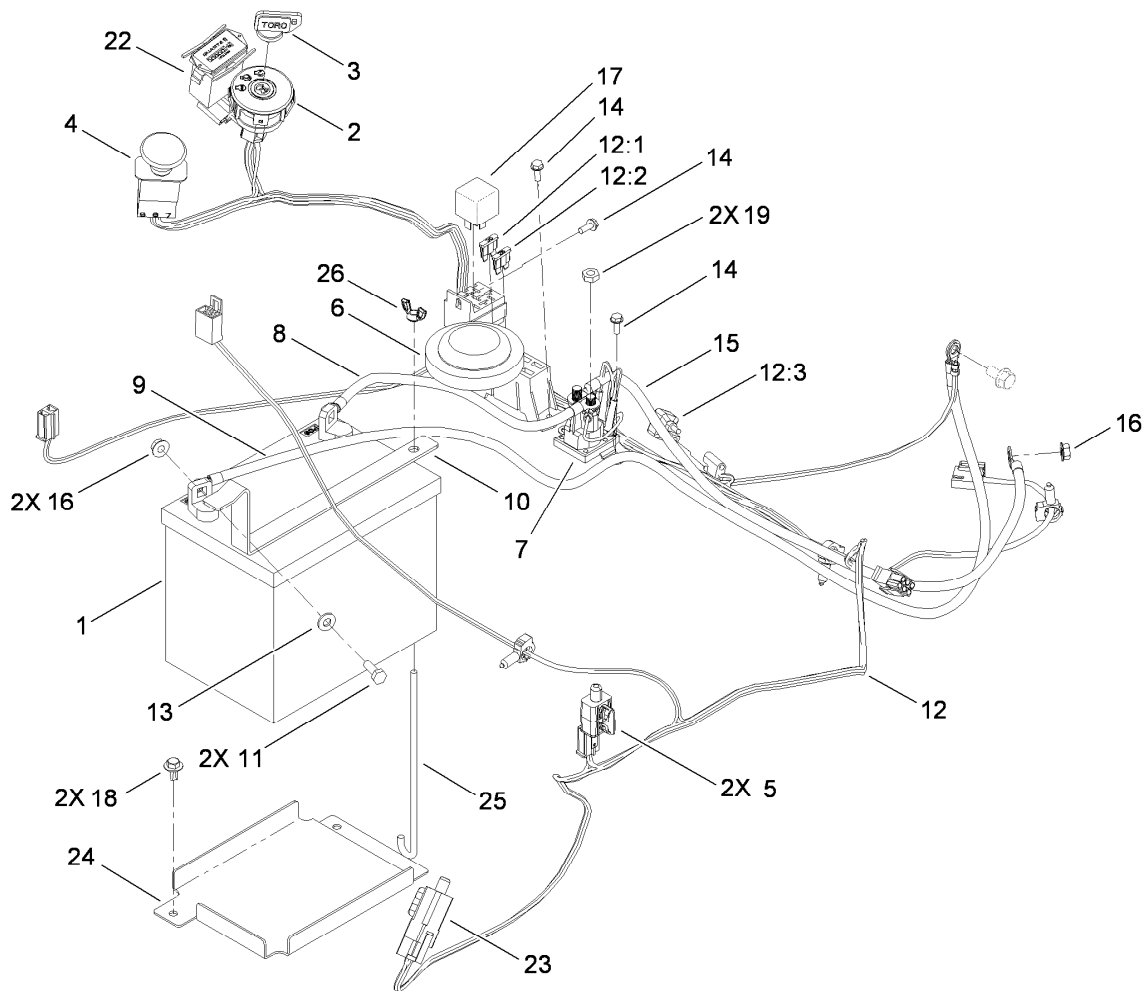
<i>Ref.</i>	<i>Part Number</i>	<i>Qty.</i>	<i>Description</i>
1	115-9620	1	5 Gallon Fuel Tank ASM
1:1	115-2564	1	Tube-Drop
1:2	46-6560	1	Bushing
2	115-9601	1	Cap-Fuel, Vented
3	109-0299	1	Hose-Fuel
4	2412-98	2	Clamp
5	115-2620	1	Rod-Tank, Gas
6	46-8560	1	Screw-HHF
7	117-1298	1	Seal-Tank





## Body and Styling Assembly

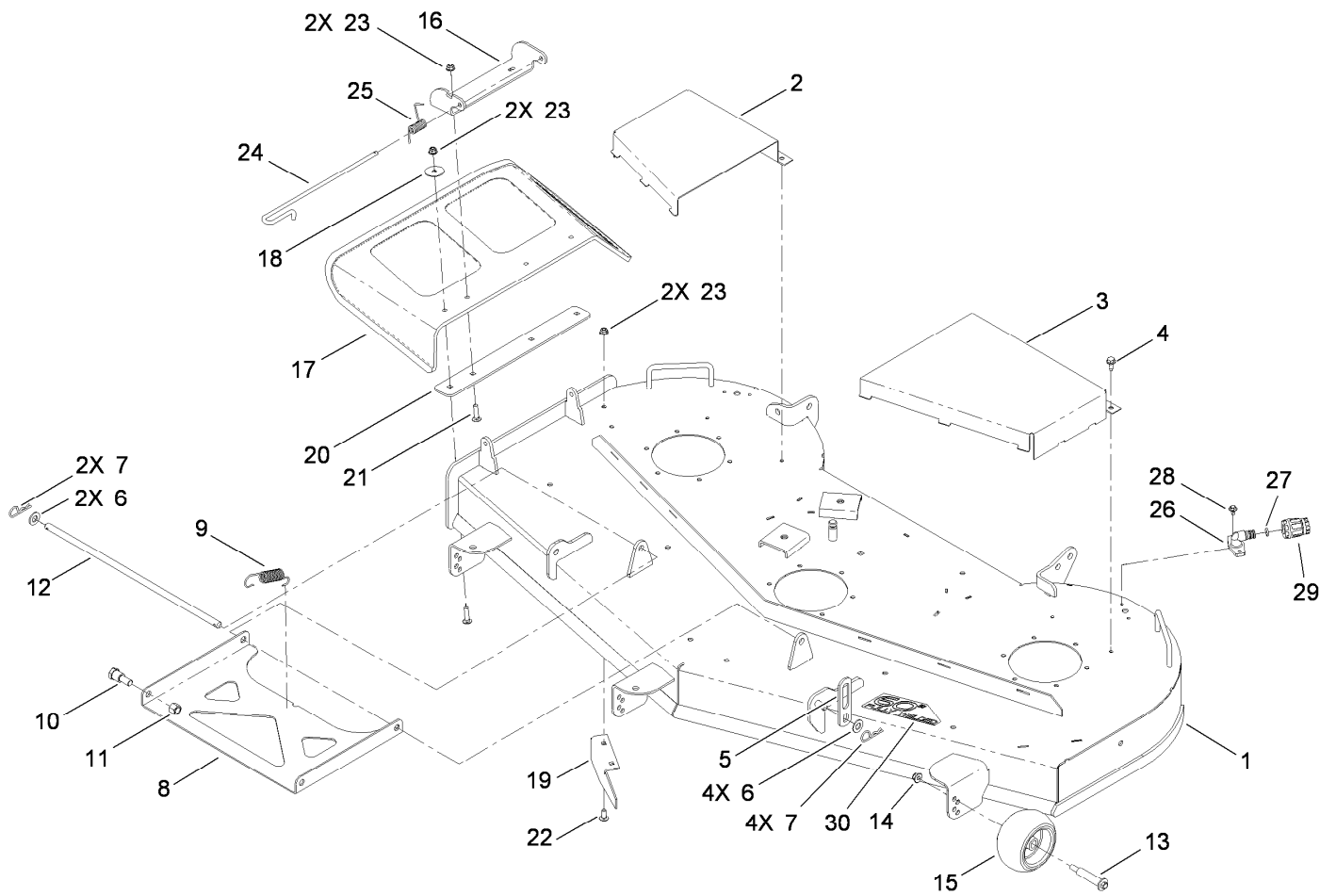
<i>Ref.</i>	<i>Part Number</i>	<i>Qty.</i>	<i>Description</i>
1	115-2581	1	Pod-RH
2	115-2582	1	Pod-LH
3	115-9631	1	Decal-Panel, Control
4	117-1196	1	Cable-Throttle
5	3258-166	4	Screw-PRH
6	107069	4	Clip
7	115-2591-03	1	Panel-Control
8	112-4004	6	Screw-Shoulder
12	614249	1	Strap-Tie



## Electrical Assembly

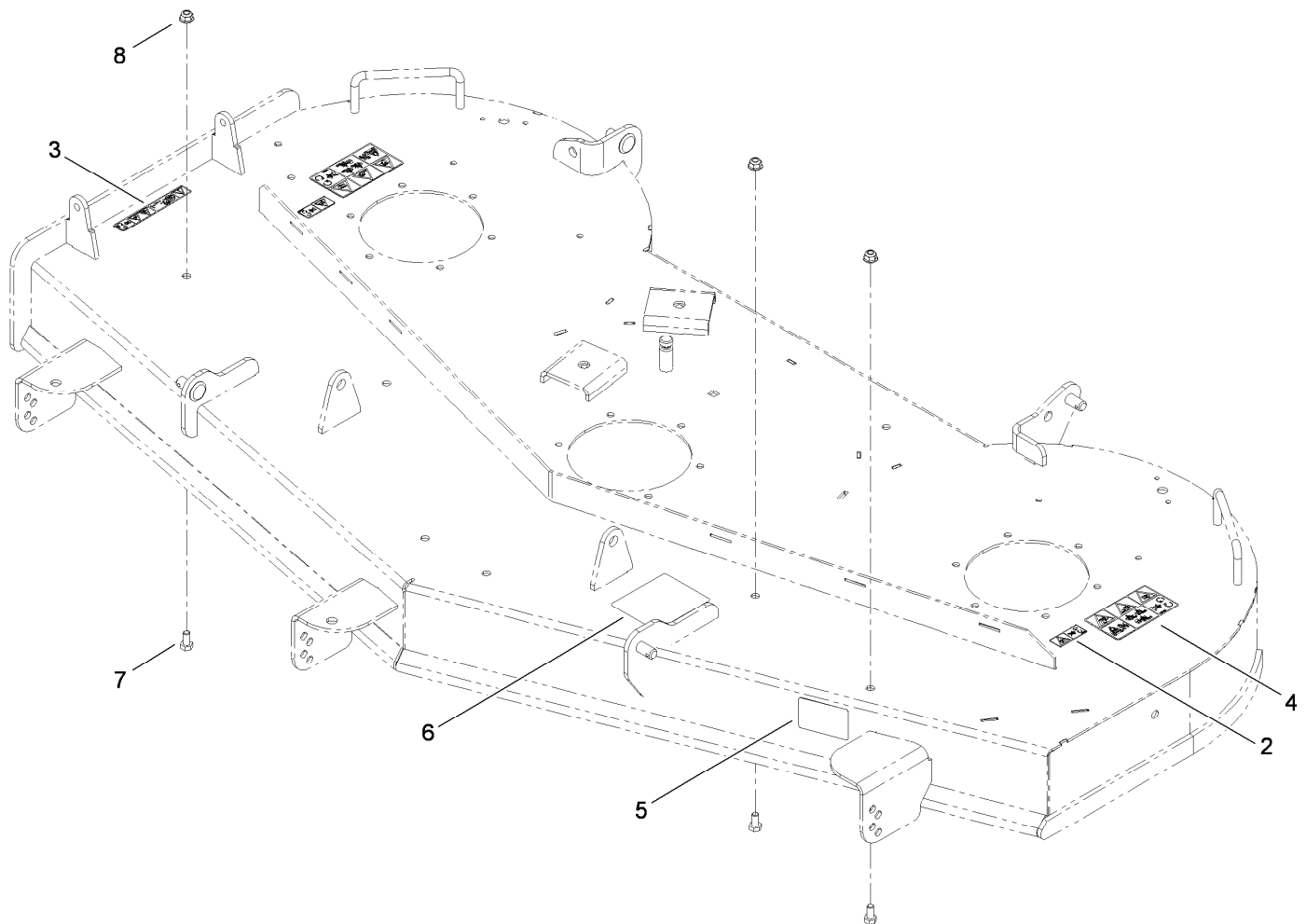
<i>Ref.</i>	<i>Part Number</i>	<i>Qty.</i>	<i>Description</i>
1	104-2493	1	Battery
2	116-0050	1	Switch-Ignition
3	63-8360	1	Key-Ignition
4	93-9998	1	Switch-PTO
5	110-6765	2	Switch-Single Pole No
6	100-3524	1	Switch-Seat
7	117-1197	1	Solenoid
8	117-5342	1	Cable-Battery, Positive
9	106-8946	1	Cable-Battery, Negative
10	117-1279-03	1	Strap-Battery
11	321-4	2	Screw-HH
12	117-7243	1	Harness-Wire
12:1	109103	1	Fuse-30 Amp
12:2	109102	1	Fuse-25 Amp

<i>Ref.</i>	<i>Part Number</i>	<i>Qty.</i>	<i>Description</i>
12:3	100-4918	1	Diode
13	3256-22	2	Washer-Flat
14	32144-1	5	Screw-Taptite
15	92-6989	1	Wire-21 Inch
16	32128-33	3	Nut-HF
17	98-7249	1	Relay
18	46-8560	2	Screw-HHF
19	3220-2	2	Nut-Jam
22	1-513374	1	Meter-Hour
23	99-7408	1	Switch-Reverse
24	117-1283-03	1	Tray-Battery
25	1-633651	1	Bolt-Holddown
26	1-543792	1	Wingnut



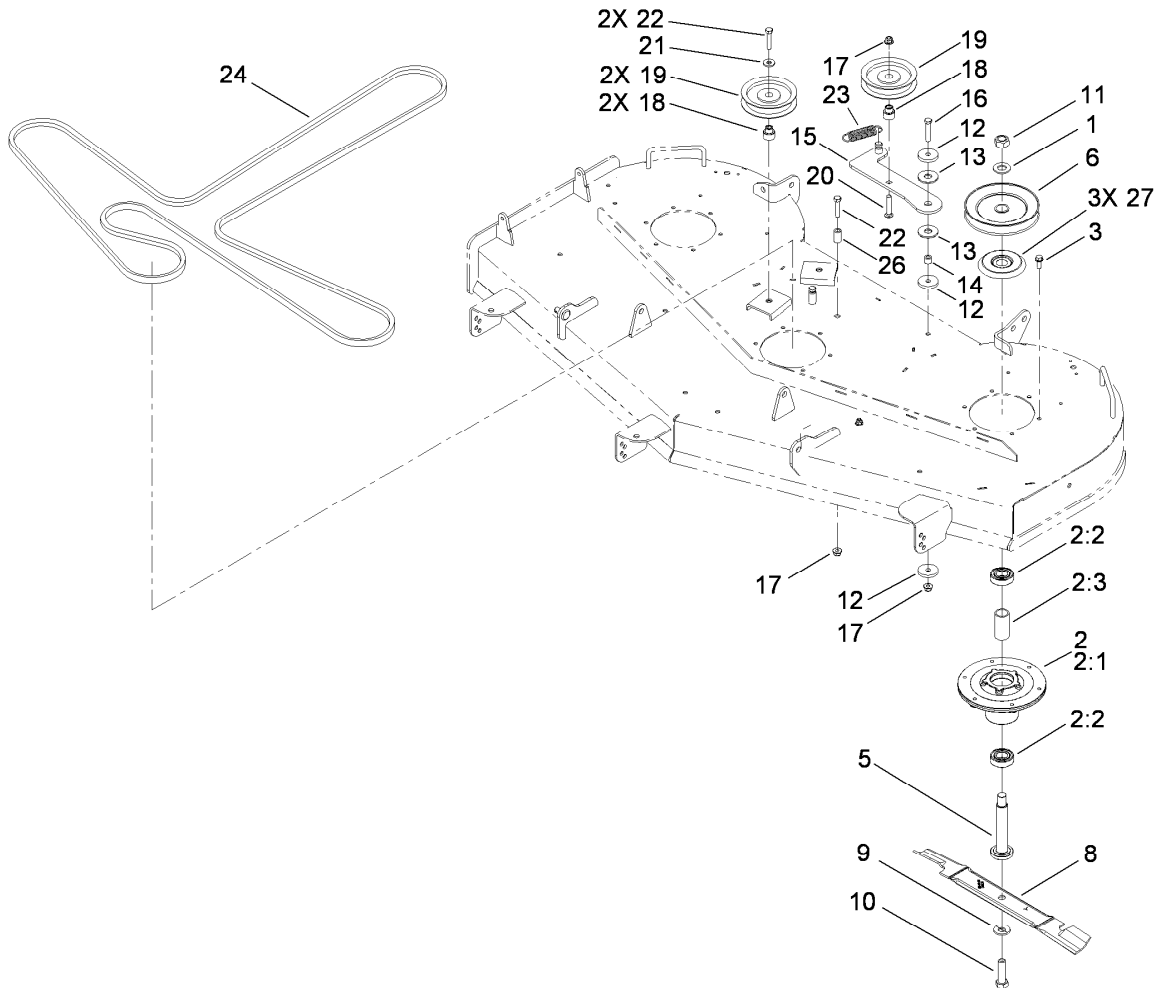
## 60 Inch Deck Assembly

<i>Ref.</i>	<i>Part Number</i>	<i>Qty.</i>	<i>Description</i>	<i>Ref.</i>	<i>Part Number</i>	<i>Qty.</i>	<i>Description</i>
1	117-5375	1	60 Inch Deck ASM	16	114-1648-03	1	Bracket-Deflector, Upper
2	115-5036-03	1	Cover-Belt, RH	17	117-1270	1	Deflector-Molded
3	115-5037-03	1	Cover-Belt, LH	18	3256-68	2	Washer-Flat
4	32144-70	4	Screw-HWHTF	19	115-9658-03	1	Baffle-Cutoff
5	115-2622	4	Link-Lift	20	115-5048-03	1	Plate-Deflector
6	3256-26	6	Washer-Flat	21	3230-3	4	Screw-CARR
7	1-806005	6	Pin-Hair	22	3230-23	2	Screw-CARR
8	115-5027-01	1	Pan-Deck Pivot	23	104-8300	6	Nut-Flange, NI
9	115-9652	1	Spring-Extension	24	109-8854	1	Pin-Chute
10	94-5823	2	Bolt-Shoulder, HH	25	115-9641	1	Spring-Torsion
11	3296-23	2	Nut-Lock, NI	26	95-2747	2	Fitting-Washout
12	115-5030	1	Rod-Deck, Pivot	27	46-6290	2	O-Ring, Seal
13	112-3977	3	Bolt-Shoulder	28	46-8560	4	Screw-HHF
14	104-8301	3	Nut-Flange, NI	29	95-3270	1	Connector-Hose
15	1-603299	3	Roller-Scalp, Anti	30	117-5303	1	Decal-60 Inch



## Deck and Decal Assembly No. 117-5375

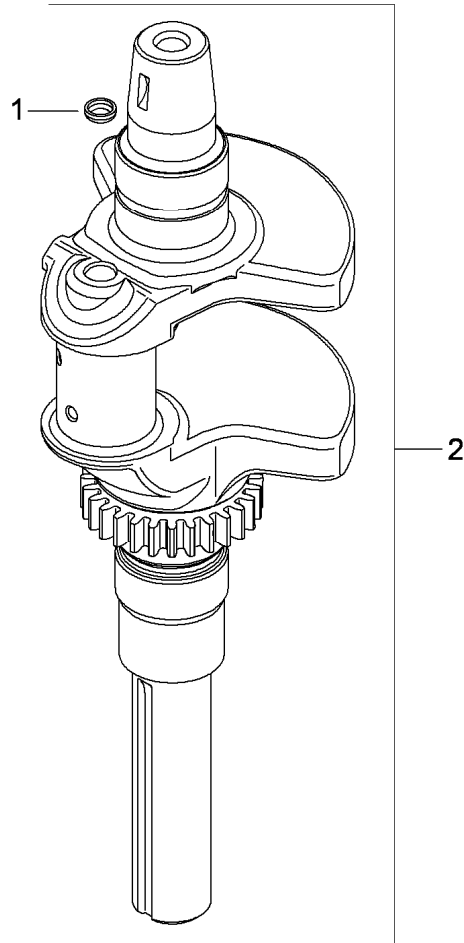
<i>Ref.</i>	<i>Part Number</i>	<i>Qty.</i>	<i>Description</i>
2	114-1606	2	Decal-Danger, Pulley
3	93-7009	1	Decal-Danger, Deflector
4	110-6691	2	Decal-Danger
5	112-9840	1	Decal-Scalp, Anti
6	117-1194	1	Decal-Routing, Belt
7	322-2	3	Screw-HH
8	104-8300	3	Nut-Flange, NI



## 60 Inch Deck Spindle and Blade Assembly

Ref.	Part Number	Qty.	Description
1	7-4150	3	Washer
2	117-1250	3	Spindle ASM
2:1	115-9693	1	Housing-Spindle
2:2	104-6325	2	Bearing-Ball
2:3	115-2641	1	Spacer-Bearing
3	32144-41	18	Screw-Taptite
5	115-2642	3	Shaft-Spindle
6	115-4975	3	Pulley
8	115-9649-03	3	Blade-Hi Flo, 20.5 Inch
9	22-8520	3	Washer-Belleville
10	51-4060	3	Screw-Blade
11	3219-7	3	Nut-Hex
12	110-9981	3	Washer-Plain
13	114-0463	2	Washer-Friction, Composite

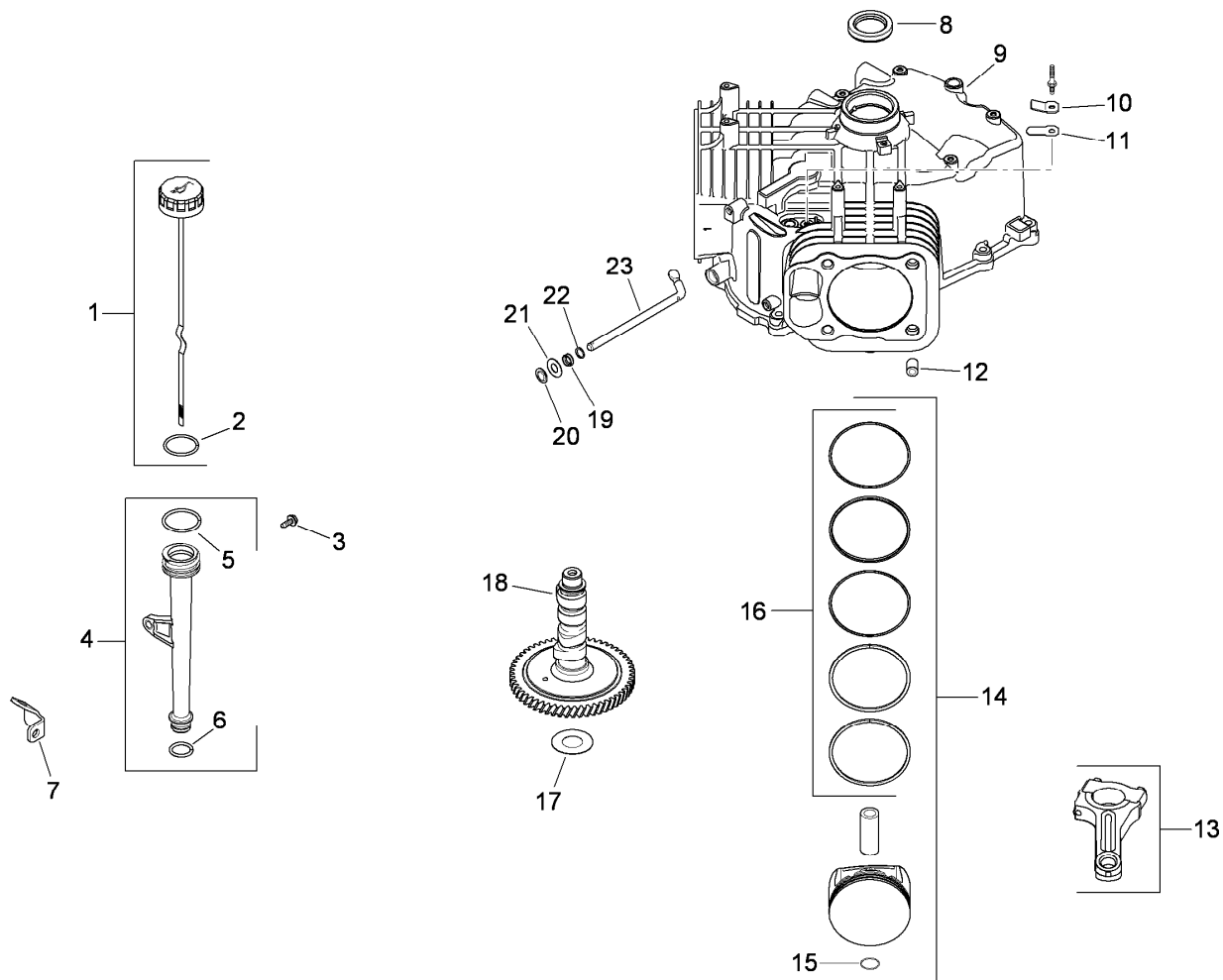
Ref.	Part Number	Qty.	Description
14	1-413088	1	Bushing-Lever, Lift
15	115-5054	1	Idler Arm ASM
16	323-10	1	Screw-HH
17	104-8301	3	Nut-Flange, NI
18	115-2577	3	Bushing-Idler
19	1-603843	3	Pulley-Idler
20	3231-6	1	Screw-CARR
21	80-6990	2	Washer-Hardened
22	323-9	3	Screw-HH
23	108-4056	1	Spring-Extension
24	115-4972	1	V-Belt
26	1-603401	1	Spacer-Fender
27	117-7210	3	Shield-Bearing



## Crankshaft Assembly Kohler SV830-0016

<i>Ref.</i>	<i>Part Number</i>	<i>Qty.</i>	<i>Description</i>
1	52 139 09-S	1	Plug-Cup ●
2	32 014 04-S	1	Crankshaft ASM (Includes Ref 1) ●

● Obtain parts from [www.kohlerplus.com](http://www.kohlerplus.com)



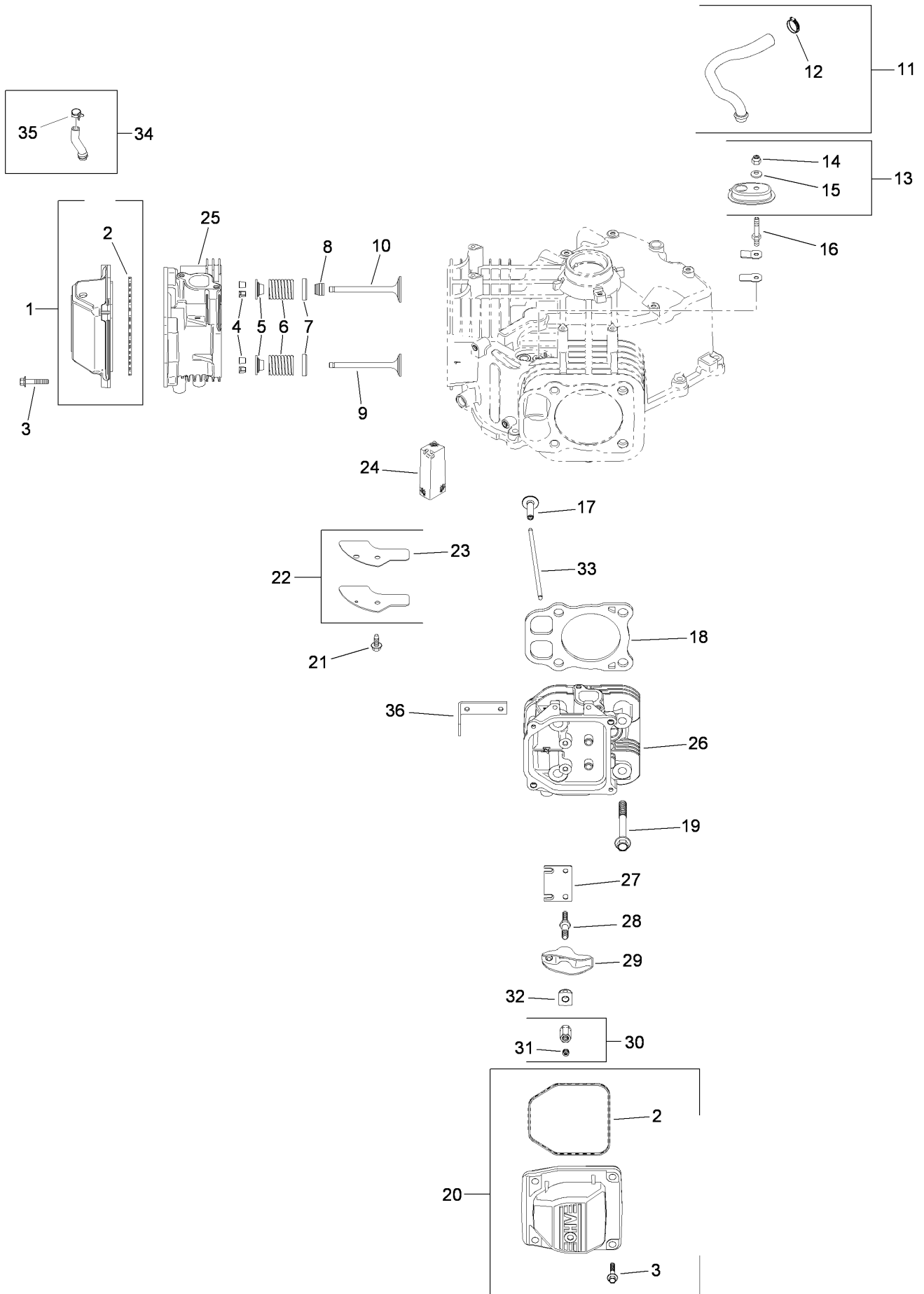
## Crankcase Assembly Kohler SV830-0016

Ref.	Part Number	Qty.	Description	Ref.	Part Number	Qty.	Description
1	32 038 01-S	1	Dipstick Asm (Includes Ref 2) ■	15	24 018 01-S	4	Retainer-Pin, Piston ■
2	25 153 02-S	1	O-Ring ■	16	24 108 14-S	2	Ring Set (STD) ■
3	M-545013-S	1	Screw-Flg, Thd Frm (M5X0.8X13) ■	16	24 108 16-S	1	Ring Set (.25) ■
4	12 123 35-S	1	Oil Fill Tube ASM (Includes Ref 5, 6) ■	17	12 422 07-S	1	Shim-Camshaft (White .028) ■
5	12 153 02-S	1	O-Ring (Upper Oil Fill Tube) ■	17	12 422 08-S	1	Shim-Camshaft (Blue .03) ■
6	12 153 01-S	1	O-Ring (Lower Oil Fill Tube) ■	17	12 422 09-S	1	Shim-Camshaft (Red .032) ■
7	24 126 19-S	1	Bracket-Tube, Oil Fill ■	17	12 422 10-S	1	Shim-Camshaft (Yellow .034) ■
8	24 032 19-S	1	Seal-Oil (Helix Lip) ■	17	12 422 11-S	1	Shim-Camshaft (Green .036) ■
9	32 522 02	1	Short Block ■	17	12 422 12-S	1	Shim-Camshaft (Gray .038) ■
10	24 018 04-S	1	Retainer-Reed, Breather ■	17	12 422 13-S	1	Shim-Camshaft (Black .04) ■
11	12 402 02-S	1	Reed-Breather ■	18	32 012 01-S	1	Camshaft Kit ■
12	24 380 16-S	6	Pin-Locating ■	19	28 032 09-S	1	Seal-Cross Shaft, Governor ■
13	24 067 24-S	2	Rod-Connecting (STD) ■	20	24 018 09-S	1	Retainer-Ring ■
14	25 874 01-S	2	Piston W/Ring Set (STD) (Includes Ref 15, 16) ■	21	M-931010-S	1	Washer-Flat (9Mm) ■
14	24 874 27-S	2	Piston W/Ring Set (.08) (Includes Ref 15, 16) ■	22	24 468 15-S	1	Washer-Flat (11/32) ■
14	25 874 03-S	2	Piston W/Ring Set (.25) (Includes Ref 15, 16) ■	23	24 144 38-S	1	Shaft-Cross, Governor ■
					25 357 14-S	1	Lubricant-Camshaft ■●

● Not illustrated

■ Obtain parts from [www.kohlerplus.com](http://www.kohlerplus.com)

# Head, Valve and Breather Assembly Kohler SV830-0016



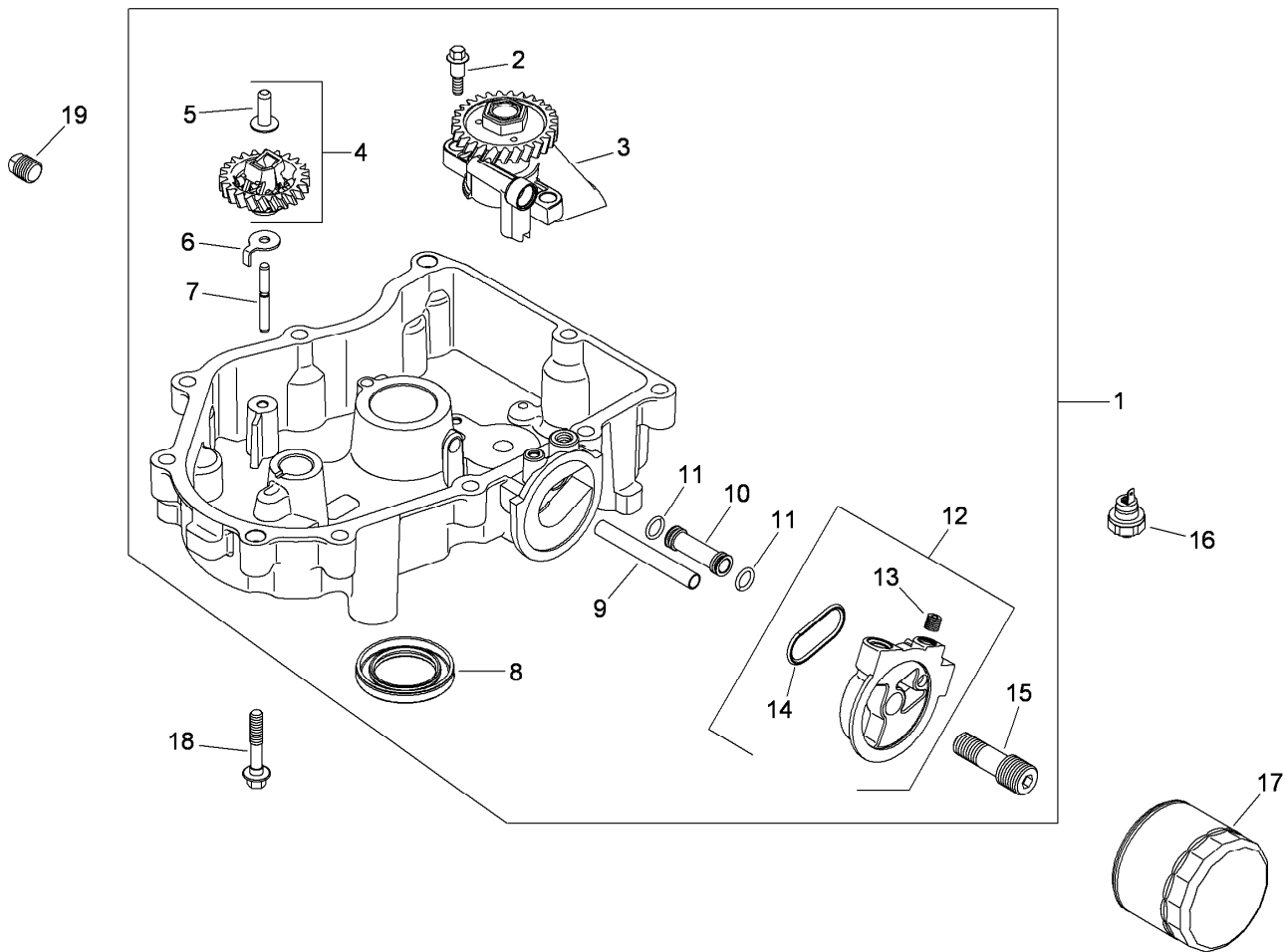


# Head, Valve and Breather Assembly Kohler SV830-0016 (continued)

<i>Ref.</i>	<i>Part Number</i>	<i>Qty.</i>	<i>Description</i>	<i>Ref.</i>	<i>Part Number</i>	<i>Qty.</i>	<i>Description</i>
1	32 096 06-S	1	Breather Valve Cover Kit (Includes Ref 2) ■	21	M-645016-S	1	Screw-Flange, Thread Forming (M6X1.0X16) ■
2	24 153 30-S	2	O-Ring (Valve Cover) ■	22	32 096 04-S	1	Breather Cover Kit (Includes Ref 23) ■
3	M-651030-S	8	Screw-Flange (M6X1.0X30) ■	23	32 041 01-S	1	Gasket-Cover, Breather ■
4	12 755 03-S	4	Retainer Kit ■	24	32 050 01-S	1	Filter-Breather ■
5	12 173 01-S	4	Cap-Spring, Valve ■	25	32 318 13-S	1	Cylinder Head No.1 ASM ■
6	24 089 02-S	4	Spring-Valve ■	26	32 318 14-S	1	Cylinder Head No.2 ASM ■
7	235011-S	4	Retainer-Spring ■	27	32 146 09-S	2	Plate-Guide ■
8	66 032 05-S	2	Seal-Stem, Valve ■	28	32 072 04-S	4	Stud-Rocker ■
9	24 016 01-S	2	Valve-Exhaust (STD) ■	29	32 186 03-S	4	Arm-Rocker ■
10	24 017 01-S	2	Valve-Intake (STD) ■	30	32 100 05-S	4	Hex Nut ASM (Includes Ref 31) ■
11	32 326 06-S	1	Breather Hose Kit (Includes Ref 12) ■	31	25 086 168-S	4	Screw-Set ■
12	25 237 14-S	5	Clamp-Hose, Spring (1/2) ■	32	25 599 01-S	4	Pivot-Arm, Rocker ■
13	32 081 02-S	1	Breather Housing Kit (Includes Ref 14, 15) ■	33	32 411 04-S	4	Rod-Push ■
14	M-547050-S	1	Nut-Lock (M5X.8) ■	34	32 326 07-S	1	Fuel Pump Hose W/Clamp Kit (Includes Ref 35) ■
15	32 468 01-S	1	Washer-Sealing ■	35	25 237 01-S	1	Clamp-Hose ■
16	32 072 03-S	1	Stud-Cover, Breather ■	36	25 445 01-S	1	Strap-Lifting ■
17	32 019 02-S	4	Tappet Kit ■		24 041 49-S	1	Gasket-Exhaust ■●
18	32 841 01-S	2	Cylinder Head Gasket Kit ■		24 153 27-S	1	O-Ring (Intake Port) ■●
19	12 086 16-S	8	Screw-Flange (M10X1.5X90) ■		32 755 03-S	2	Cylinder Head Hardware Kit ■●
20	24 755 141-S	1	Plain Rocker Cover Kit (Includes Ref 2, 3) ■				

● Not illustrated

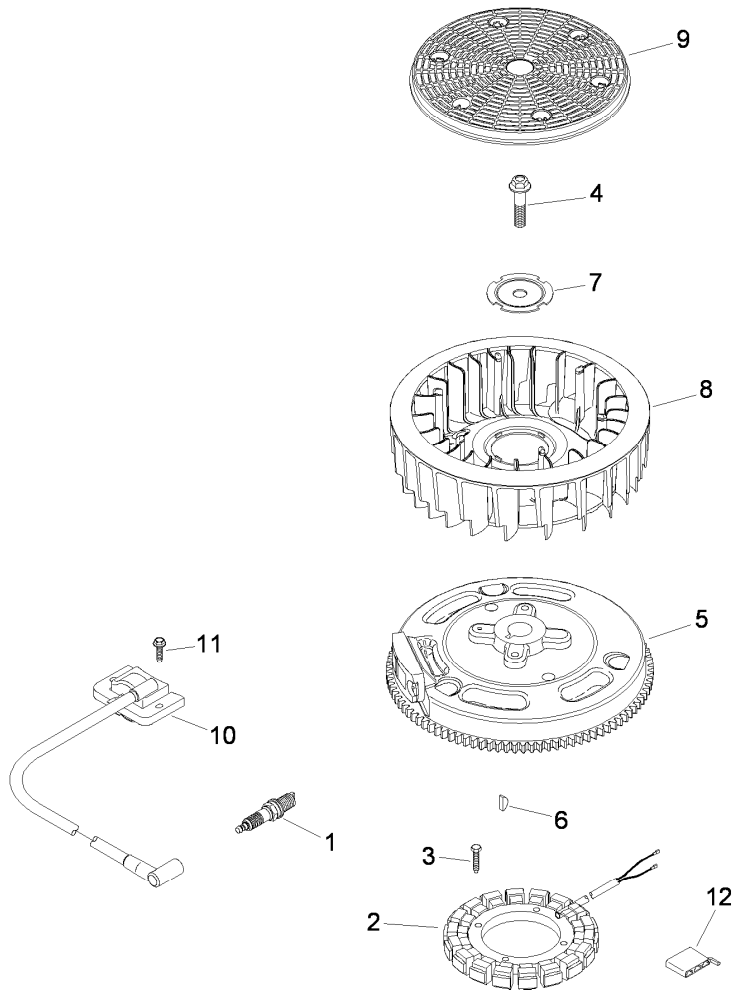
■ Obtain parts from [www.kohlerplus.com](http://www.kohlerplus.com)



## Oil Pan and Lubrication Assembly Kohler SV830-0016

<i>Ref.</i>	<i>Part Number</i>	<i>Qty.</i>	<i>Description</i>	<i>Ref.</i>	<i>Part Number</i>	<i>Qty.</i>	<i>Description</i>
1	32 199 07-S	1	Oil Pan ASM (Includes Ref 2, 5-15) ●	11	24 153 01-S	2	O-Ring (Oil Pick-Up) ●
2	32 086 01-S	2	Screw-Shoulder, Thd Frm (M6X1.0X26.5) ●	12	32 029 16-S	1	Adapter Oil Filter Kit (Includes Ref 13, 14) ●
3	32 393 10-S	1	Oil Pump ASM ●	13	25 139 60-S	1	Plug-Pipe, Countersunk (1/8) ●
4	24 043 12-S	1	Governor Gear W/Pin Kit (Includes Ref 5) ●	14	32 153 04-S	1	O-Ring (Oil Filter Adapter) ●
5	12 380 01-S	1	Pin-Regulating, Governor ●	15	32 136 03-S	1	Nipple-Filter, Oil ●
6	24 448 02-S	1	Tab-Locking ●	16	25 099 27-S	1	Switch-Pressure, Oil ●
7	12 144 02-S	1	Shaft-Gear, Governor ●	17	25 050 34-S	1	Filter-Oil ●
8	25 032 06-S	1	Seal-Oil ●	18	24 086 17-S	10	Screw-Flange (M8X1.25X45) ●
9	32 123 01-S	1	Tube-Feed, Oil (Filter To Pan) ●	19	25 139 57-S	1	Plug-Pipe, Sq HD (3/8) ●
10	32 123 03-S	1	Tube-Feed, Oil (Pan To Filter) ●				

● Obtain parts from [www.kohlerplus.com](http://www.kohlerplus.com)

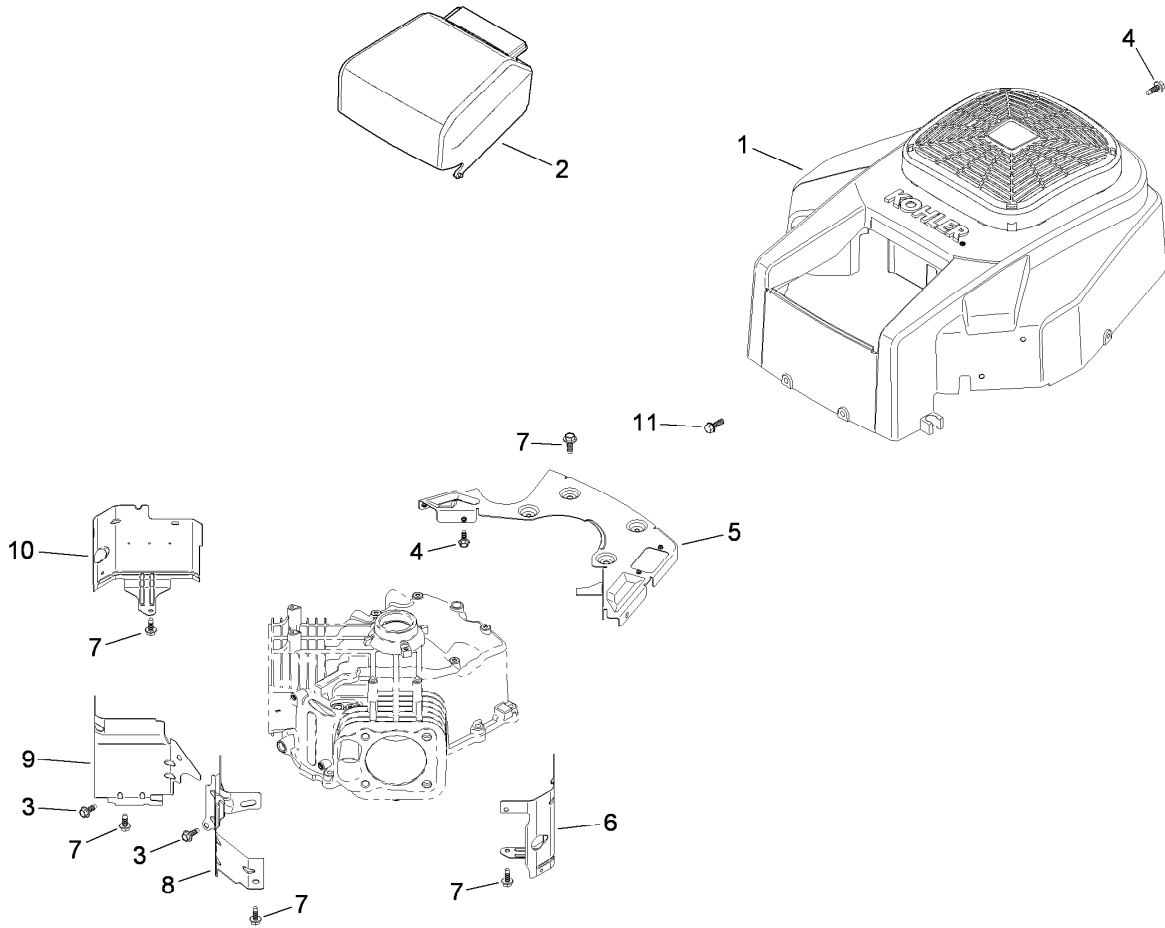


## Ignition and Electrical Assembly Kohler SV830-0016

Ref.	Part Number	Qty.	Description
1	25 132 16-S	2	Sparkplug ■
2	237878-S	1	15 Amp Stator Kit ■
3	M-548025-S	2	Screw-Thread Forming (M5X0.8X25) ■
4	12 086 14-S	1	Screw-Flange (M10X1.5X45) ■
5	32 025 16-S	1	Flywheel ASM ■
6	X-42-15-S	1	Key (3/16 X 5/8) ■
7	20 146 05-S	1	Plate-Mounting, Fan ■
8	32 157 01-S	1	Fan ■
9	32 162 03-S	1	Screen-Grass ■
10	24 584 45-S	2	Module-Ignition (C D I Fixed) ■
11	M-545020-S	4	Screw-Flange, Thread Forming (M5X.8X20) ■
12	25 155 41-S	1	Connector (3 Contact) ■
	25 454 03-S	2	Tie-Wire ■●
	32 176 14-S	1	Wire Harness Kit ■●
	25 454 05-S	1	Tie ■●

● Not illustrated

■ Obtain parts from [www.kohlerplus.com](http://www.kohlerplus.com)

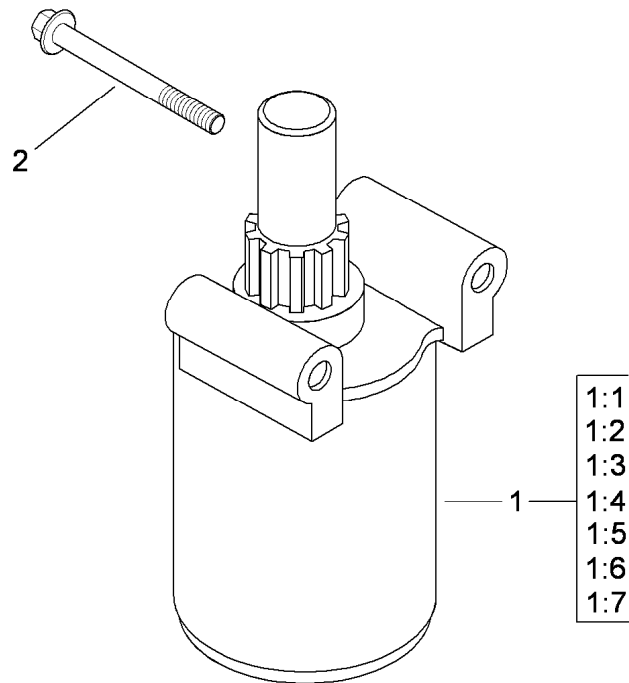


## Blower Housing Assembly Kohler SV830-0016

Ref.	Part Number	Qty.	Description
1	32 027 08-S	1	Blower Housing ASM (Fixed Guard) ■
2	32 096 09-S	1	Cover-Cleaner, Air (Black) ■
3	M-545010-S	4	Screw-HHFTF (M5X.8X10) ■
4	M-545016-S	8	Screw-Flange, Thread Forming (M5X0.8X16) ■
5	32 146 05-S	1	Plate-Backing ■
6	32 063 12-S	1	Baffle-Barrel, Cylinder (No.2 Side) ■
7	M-645016-S	6	Screw-Flange, Thread Forming (M6X1.0X16) ■
8	32 063 02-S	1	Baffle-Valley (No.2 Side) ■
9	32 063 03-S	1	Baffle-Valley (No.1 Side) ■
10	32 063 10-S	1	Baffle-Barrel, Cylinder (No.1 Side) ■
11	24 086 12-S	2	Screw-TAP (M6X1.7X18) ■
	32 113 11-S	1	Decal-Guard, Fixed ■●
	41 037 10-S	1	Nameplate-Service ■●

● Not illustrated

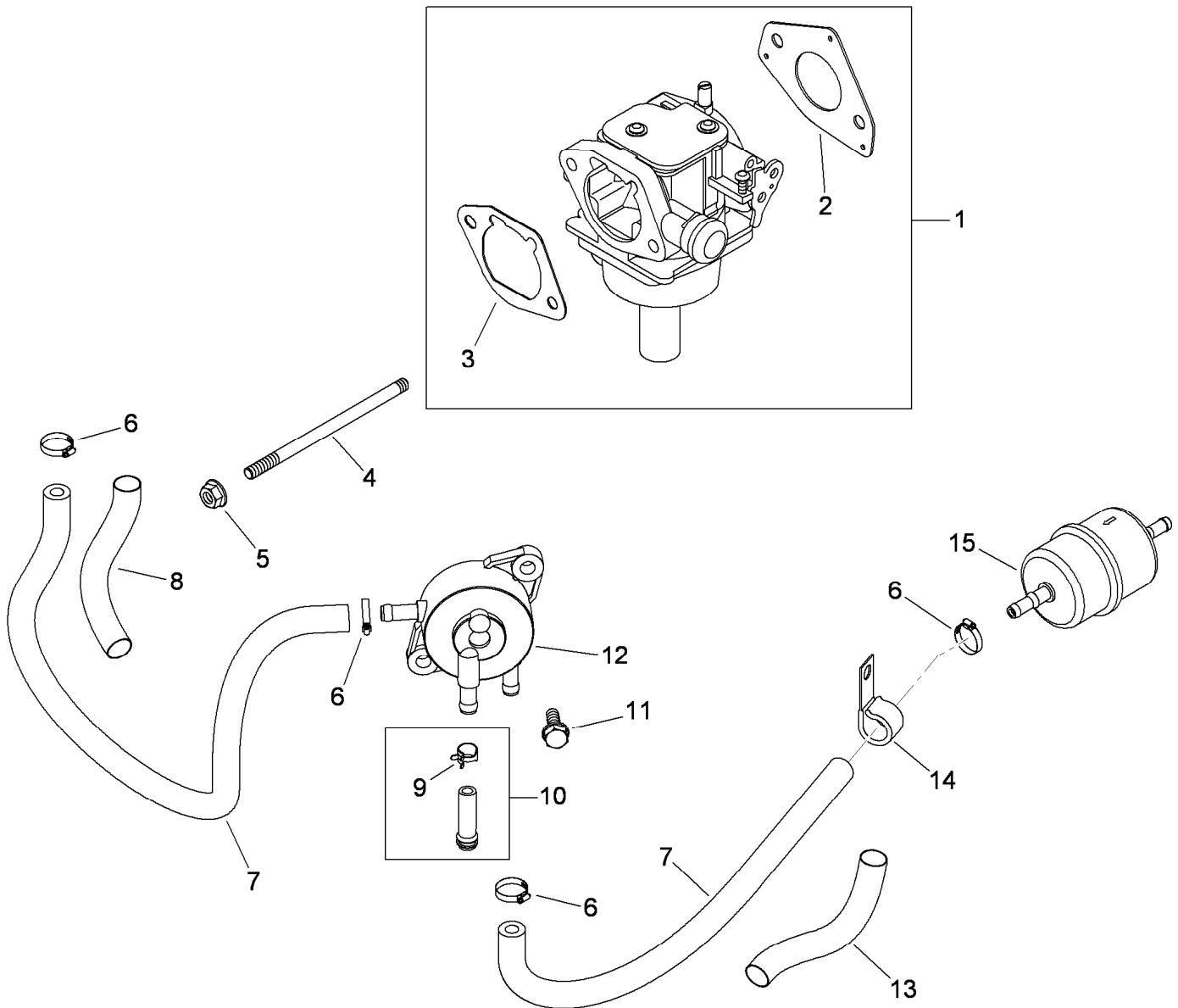
■ Obtain parts from [www.kohlerplus.com](http://www.kohlerplus.com)



## Starter Assembly Kohler SV830-0016

<i>Ref.</i>	<i>Part Number</i>	<i>Qty.</i>	<i>Description</i>
1	32 098 03-S	1	Starter ASM ●
1:1	12 755 39-S	1	Drive Kit ●
1:2	12 755 38-S	1	Drive Part Kit (Includes Ref 1:3) ●
1:3	32 141 01-S	1	Ring-Retaining ●
1:4	12 100 07-S	1	Nut-Flange, Hex (1/4-20) ●
1:5	12 243 04-S	1	Commutator-Cap, End ●
1:6	32 211 01-S	1	Bolt-Thru ●
1:7	32 227 01-S	1	Cap-End, Drive ●
2	M-851080-S	2	Screw-Flange (M8X1.25X80) ●

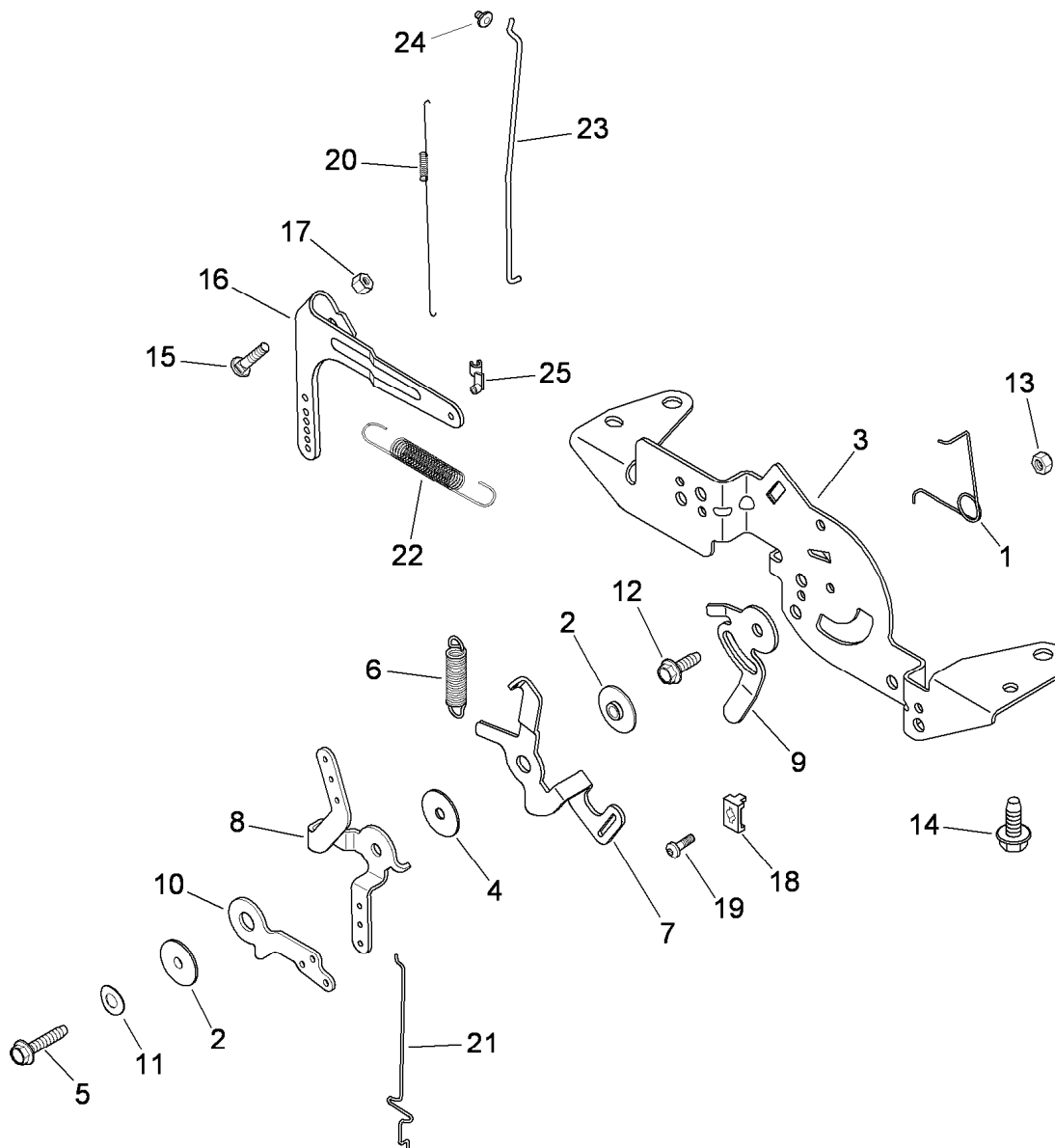
● Obtain parts from [www.kohlerplus.com](http://www.kohlerplus.com)



## Fuel System Assembly Kohler SV830-0016

Ref.	Part Number	Qty.	Description
1	32 853 12-S	1	Carburetor Kit (22Mm Keihin) (Includes Ref 2, 3) ●
2	24 041 52-S	1	Gasket-Carburetor ●
3	24 041 14-S	1	Gasket-Base, Air Cleaner ●
4	M-629105-S	2	Stud (M6X1.0X106) ●
5	M-641060-S	2	Nut-Flange (M6X1.0) ●
6	25 237 14-S	4	Clamp-Hose, Spring (1/2) ●
7	25 111 34-S	2	Line-Fuel (24.0 Cut To Length) ●
8	25 431 10-S	1	Sleeve-Abrasion, Anti ●
9	25 237 01-S	1	Clamp-Hose ●
10	32 326 07-S	1	Fuel Pump Hose W/Clamp Kit (Includes Ref 9) ●
11	24 086 12-S	2	Screw-TAP (M6X1.7X18) ●
12	24 393 16-S	1	Pump-Fuel ●
13	25 431 12-S	1	Sleeve-Line, Fuel ●
14	47 154 01-S	1	Clip-Cable ●
15	24 050 13-S	1	Filter-Fuel ●

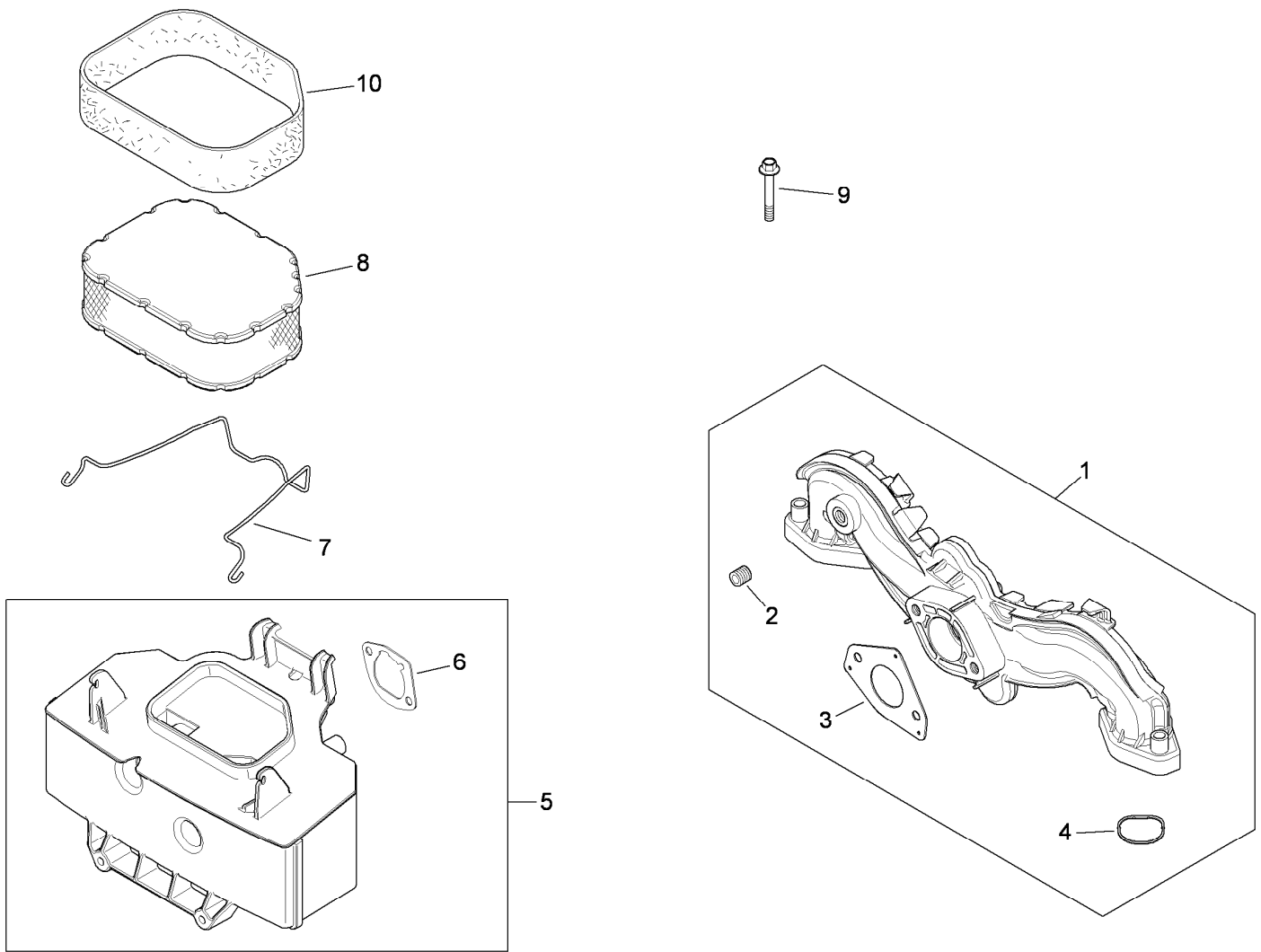
● Obtain parts from [www.kohlerplus.com](http://www.kohlerplus.com)



## Engine Control Assembly Kohler SV830-0016

Ref.	Part Number	Qty.	Description	Ref.	Part Number	Qty.	Description
1	24 089 03-S	1	Spring-Return, Choke ●	15	24 211 03-S	1	Bolt-Sq Neck, Rd HD (M6X1.0X25) ●
2	24 112 27-S	2	Control Spacer ASM ●	16	24 090 51-S	1	Lever-Governor ●
3	24 126 172-S	1	Bracket-Control ●	17	M-641060-S	1	Nut-Flange (M6X1.0) ●
4	24 468 01-S	1	Washer-Flat (5.5Mm) ●	18	12 237 01-S	1	Clamp-Cable ●
5	25 086 151-S	1	Screw-Thread Forming (M5X0.8X25Mm) ●	19	24 086 43-S	1	Screw-Lbd, Thd Frm (M5X0.8X16) ●
6	32 089 03-S	1	Spring-Control, Speed ●	20	24 089 01-S	1	Spring-Linkage ●
7	32 090 07-S	1	Lever-Spring, Governor ●	21	24 079 22-S	1	Linkage-Choke ●
8	32 090 08-S	1	Lever-Control, Speed ●	22	24 089 55-S	1	Spring-Governor ●
9	32 090 09-S	1	Lever-Setting, Speed ●	23	24 079 04-S	1	Linkage-Throttle ●
10	32 090 10-S	1	Lever-Choke ●	24	25 158 08-S	1	Bushing-Linkage, Throttle ●
11	41 468 03-S	1	Washer-Spring (1/4) ●	25	25 158 11-S	1	Bushing-Retaining, Linkage ●
12	M-545016-S	1	Screw-Flange, Thread Forming (M5X0.8X16) ●				
13	M-547050-S	1	Nut-Lock (M5X.8) ●				
14	M-645016-S	4	Screw-Flange, Thread Forming (M6X1.0X16) ●				

● Obtain parts from [www.kohlerplus.com](http://www.kohlerplus.com)

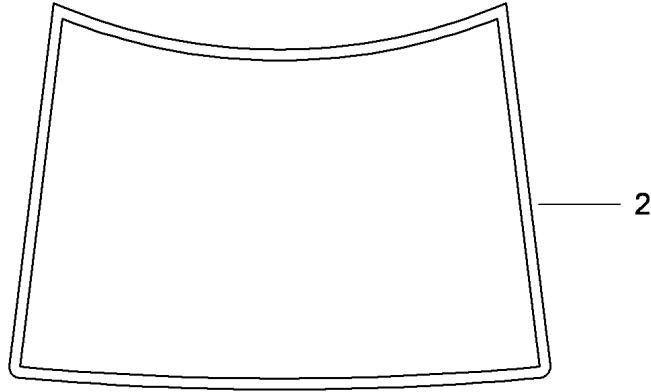
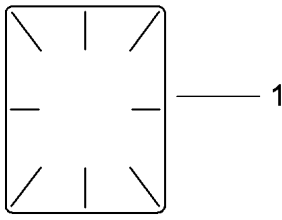


## Air Intake and Filtration Assembly Kohler SV830-0016

Ref.	Part Number	Qty.	Description
1	24 164 91-S	1	Intake Manifold ASM (Includes Ref 2, 3, 4) ●
2	25 139 60-S	1	Plug-Pipe, Countersunk (1/8) ●
3	24 041 52-S	1	Gasket-Carburetor ●
4	24 153 27-S	2	O-Ring ●
5	32 094 04-S	1	Air Cleaner Base Kit (Includes Ref 6) ●
6	24 041 14-S	1	Gasket-Base, Air Cleaner ●
7	32 344 03-S	1	Latch-Element, Air Cleaner ●
8	32 083 06-S	1	Element-Filter, Air ●
9	M-651040-S	4	Screw-Flange (M6X1.0X40) ●
10	32 083 08-S	1	Element-Cleaner, Pre ●

● Obtain parts from [www.kohlerplus.com](http://www.kohlerplus.com)





Artwork is representative  
Actual labels may differ depending on model and specification number

## Decals Kohler SV830-0016

<i>Ref.</i>	<i>Part Number</i>	<i>Qty.</i>	<i>Description</i>
1	25 113 39-S	1	Decal-Laminate, Clear ■
2	32 113 37-S	1	Decal-22 Hp ■

● Not illustrated

■ Obtain parts from [www.kohlerplus.com](http://www.kohlerplus.com)

# Attachments and Accessories

## For 74823 TITAN Z6000 Zero-Turn-Radius Riding Mower

<b>Product Name</b>	<b>Model/Part</b>
60in Recycler Kit.....	117-5314
Hitch Kit .....	117-5315
Step Kit .....	117-5316
Light Kit.....	117-5317
Sunshade .....	117-5318
54in/60in Striping Kit.....	117-5319
Transport Seat Hold Down Kit.....	117-7251

**Notes:**



**Count on it.**