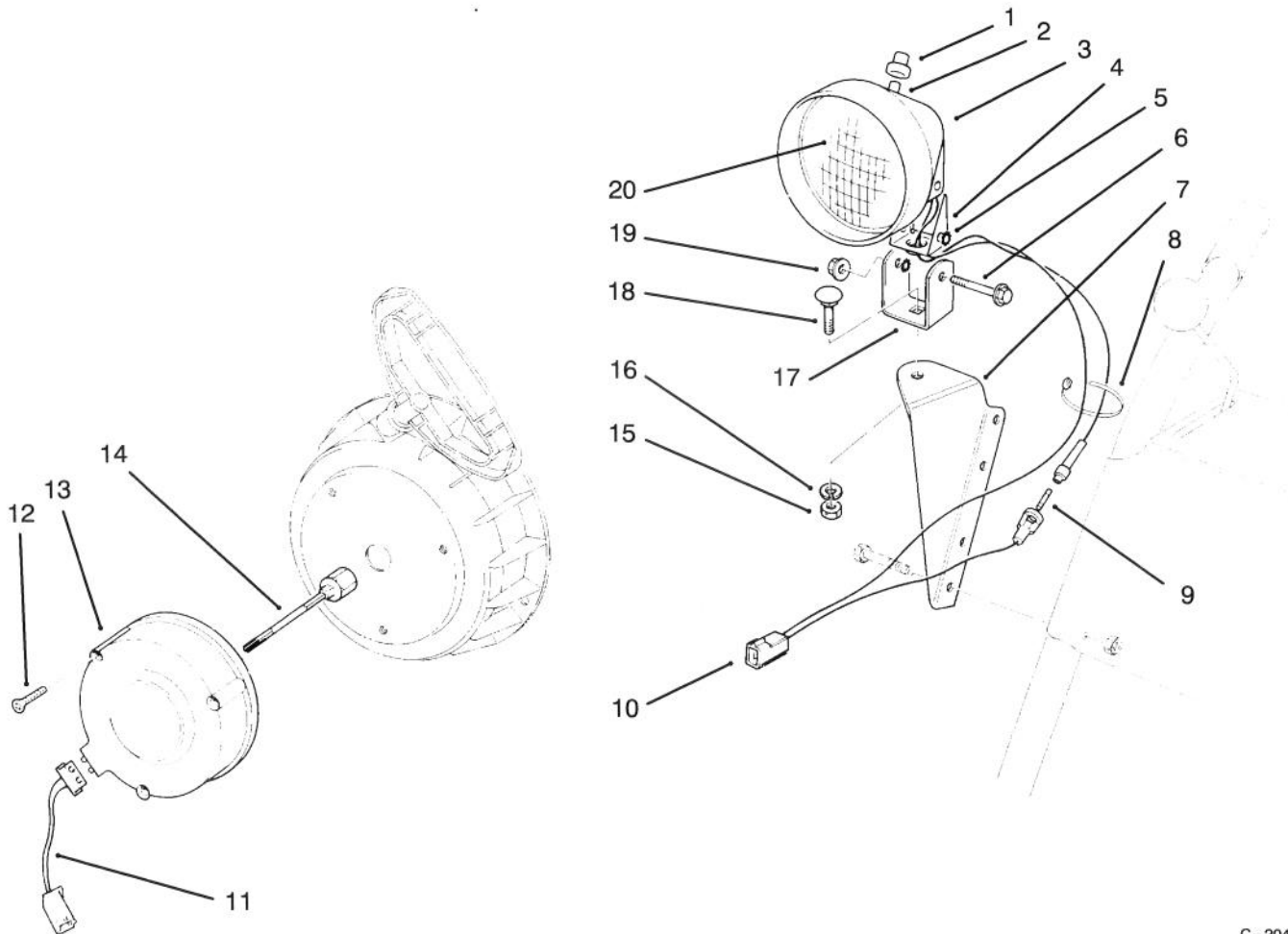




PART NO. 54-9822	<b>PARTS CATALOG</b>
<b>LIGHT KIT</b>	



C-2040

## HEADLAMP ASSEMBLY

Ref. No.	Part No.	Description	No. Used	Ref. No.	Part No.	Description	No. Used
1	218-580	Boot - Switch	1	12	2210-300	Screw - Self Tapping (Use with 8 HP Units Only)	3
2	218-553	Switch Assembly	1	‡13	1A183-69	Alternator	1
3	218-552	Bucket - Headlamp	1	‡14	590613	Shaft - Alternator 4	1
4	218-554	Bracket	1	15	3217-7	Nut - Hex	1
5	3255-8	Washer - Lock	2	16	3253-21	Washer - Lock	1
6	322-13	Screw - Hex Hd. Flanged	1	17	218-556	Bracket - U	1
7	54-9830	Mount - Lamp	1	18	3231-2	Bolt - Carriage	1
8	3290-378	Tie - Wrap	2	19	32128-35	Nut - Flange Lock	1
†9		Fuse - 7-1/2 Amp	1	20	218-16	Lens - Seal Beam	1
10	218-555	Wire Assembly	1	*	54-9871	Head Lamp Assembly (Incl. Ref. #1-6, 9-10, & 15-20)	1
11	2210-272	Connector - Wire	1				
12	2210-273	Screw - Self Tapping (Use with 5HP & 7HP Units Only)	3				

\*Not Illustrated  
† Obtain Locally