



# Roller Striper Kit

## 48-in, 52-in or 60-in Z Master® G3 Mowers

Model No. 115-7470

## Parts Catalog

### Ordering Replacement Parts

To order replacement parts, please supply the part number, the quantity, and the description of each part desired.

### Understanding Reference Numbers

Each identified part in an illustration has a reference number. The reference number for a part also appears in the parts list, along with other information about the part.

This catalog uses two special reference number formats, one to indicate parts in a service assembly and another to indicate the quantity of a given part in an illustration.

### Service Assembly Reference Numbers

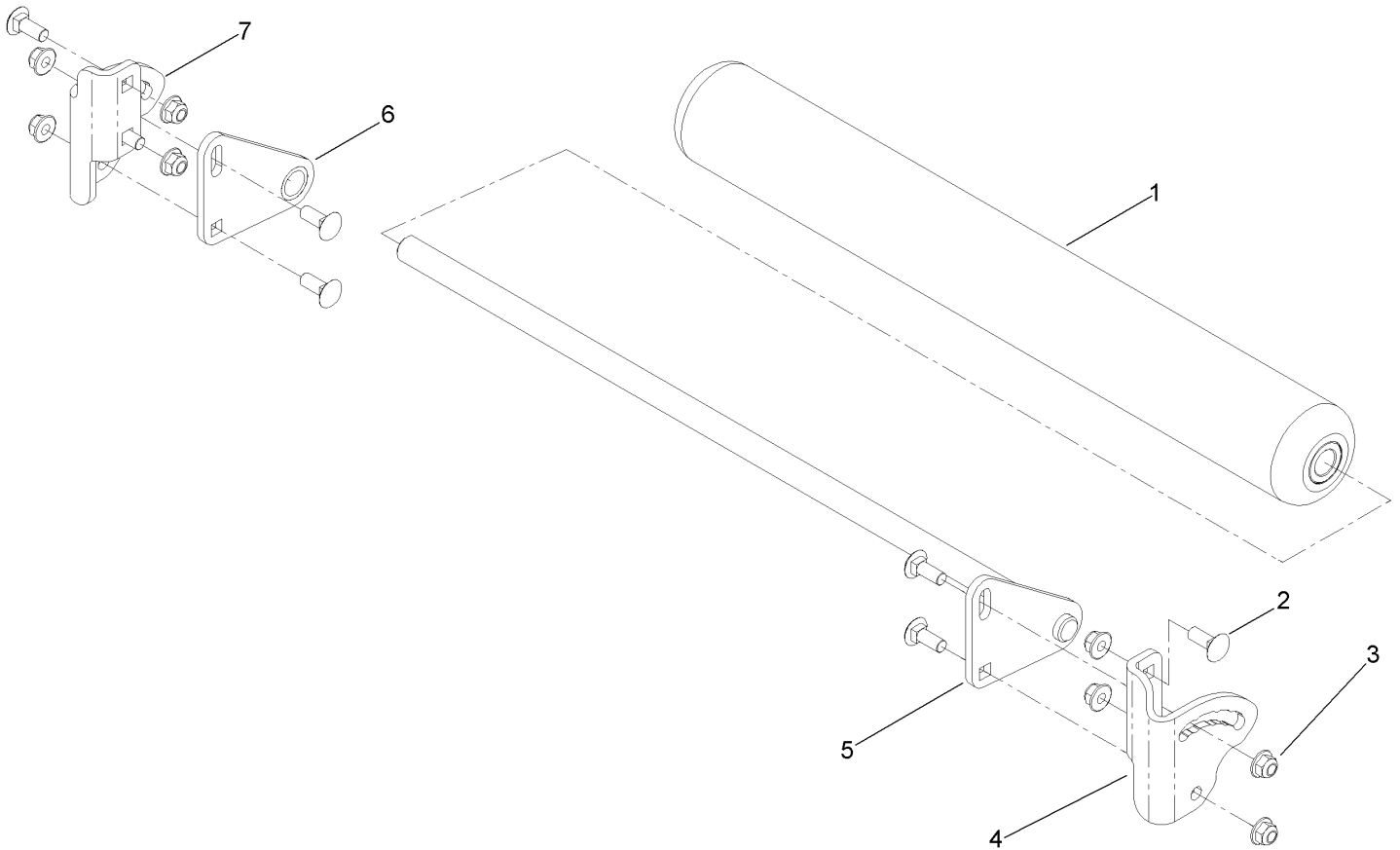
Parts in service assemblies have reference numbers in the form a:b. The a represents the reference number of the entire service assembly and the b represents a sequential number unique to each part within the service assembly.

For example, a wheel assembly might be identified by reference number 6, the tire by 6:1, the valve by 6:2, and the wheel by 6:3. When you order the assembly identified by reference number 6, you receive all parts identified by reference numbers 6:1, 6:2, and 6:3. However, you may also order any part individually. Reference numbers of this type appear in illustrations and in part lists.

### Reference Numbers Indicating Quantity

In an illustration, if a reference number indicates more than one part, the reference number has the form nX y. The n represents the quantity of the part, the X is the multiplication symbol, and the y represents the reference number.

For example, in an illustration, the reference number 2X 37 means that two of the parts identified by reference number 37 are indicated.



## Roller Striper Kit No. 115-7470

Ref	Part No.	Qty.	Description
1	109-6964	1	Roller-Striper
2	3231-2	8	Screw-CARR
3	104-8301	8	Nut-Flange, NI
4	115-7413-01	1	Bracket-Striper, LH
5	109-9564	1	Roller-Shaft
6	116-0481	1	Striper
7	115-7414-01	1	Bracket-Striper, RH

--	--	--	--