



Groundsmaster[®] 7200 with 72in Side Discharge Mower

Model No. 30360 - 290000001 and up.

Parts Catalog

Ordering Replacement Parts

To order replacement parts, please supply the part number, the quantity, and the description of each part desired.

Understanding Reference Numbers

Each Identified part in an illustration has a reference number. The reference number for a part also appears in the parts list, along with other information about the part.

This catalog uses two special reference number formats, one to indicate parts in a service assembly and another to indicate the quantity of a given part in an illustration.

Service Assembly Reference Numbers

Parts in service assemblies have reference numbers in the form a:b. The a represents the reference number of the entire service assembly and the b represents a sequential number unique to each part within the service assembly.

For example, a wheel assembly might be identified by reference number 6, the tire by 6:1, the valve by 6:2, and the wheel by 6:3. When you order the assembly identified by reference number 6, you receive all parts identified by reference numbers 6:1, 6:2, and 6:3. However, you may also order any part individually. Reference numbers of this type appear in illustrations and in part lists.

Reference Numbers Indicating Quantity

In an illustration, if a reference number indicates more than one part, the reference number has the form nX y. The n represents the quantity of the part, the X is the multiplication symbol, and the y represents the reference number.

For example, in an illustration, the reference number 2X 37 means that two of the parts identified by reference number 37 are indicated.

Contents

Description	Page	Description	Page
Frame Assembly 4	Roll-Over Protection System and Rear Wheel Assembly 38
Radiator Assembly 5	Belt and Pulley Assembly 39
Control Panel Assembly 6	Deck Decal Assembly No. 108-9901 40
Transmission Assembly 7	Spindle Assembly No. 108-1957 41
Hydraulic Gear Pump Assembly No. 112-9542 8	Spindle Assembly No. 110-6382 42
Charge Pump Housing Assembly Transmission Assembly No. 107-0801 9	Spindle Assembly No. 110-6381 43
Center Section Assembly Transmission Assembly No. 107-0801 10	Roller and Baffle Assembly 44
Gear Case and Clutch Assembly Transmission Assembly No. 107-0801 11	Spindle and Blade Assembly 45
Traction Control Assembly 12	Belt Cover, Gearbox and Baffle Assembly 46
Engine Component Assembly 13	Rubber Deflector Assembly No. 108-2792 47
Air Cleaner Assembly No. 104-3428 14	Gearbox Assembly No. 110-6386-03 48
Engine and Muffler Component Assembly 15	Adjustment Link and Bumper Assembly 49
Hydraulic Assembly 16	Crankcase Assembly 50
Parking Brake Assembly 17	Oil Pan Assembly 51
Electrical Assembly 18	Cylinder Head Assembly 52
Hood Assembly 19	Gear Case Assembly 53
Fuel Tank Assembly 20	Head Cover Assembly 54
LH Fuel Tank Assembly No. 110-8230 21	Dipstick and Guide Assembly 55
RH Fuel Tank Assembly No. 110-8236 22	Main Bearing Case Assembly 56
Seat Assembly 23	Camshaft and Idle Gear Shaft Assembly 57
Seat Assembly No. 107-2286 24	Piston and Crankshaft Assembly 58
Driveshaft Assembly 25	Flywheel Assembly 59
Driveshaft Assembly No. 110-3575 26	Fuel Camshaft and Governor Shaft Assembly 60
Rear Drive Assembly 27	Idle Apparatus Assembly 61
Hydraulic Motor Assembly No. 108-5230 28	Injection Pump Assembly 62
Hydraulic Motor Assembly No. 108-5155 29	Governor Assembly 63
Carrier Frame and Valve Assembly 30	Speed Control Plate Assembly 64
Carrier Frame Kit Assembly No. 114-4087 31	Nozzle Holder and Glow Plug Assembly 65
Carrier Frame Assembly 32	Nozzle Holder Assembly 66
Hydraulic Cylinder Assembly No. 110-9834 33	Alternator and Pulley Assembly 67
Hydraulic Valve Assembly No. 114-2877 34	Alternator Components Assembly 68
Caster Fork Assembly 35	Starter Assembly 69
Caster Wheel Assembly No. 108-9954 36	Starter Components 70
Deck Linkage Assembly 37	Water Flange and Thermostat Assembly 71
		Water Pump Assembly 72
		Valve and Rocker Arm Assembly 73
		Inlet Manifold Assembly 74
		Muffler Gasket and Engine Operator Manual 75
		Upper and Lower Gasket Kits 76
		Attachments and Accessories List 77

Part Description Abbreviations

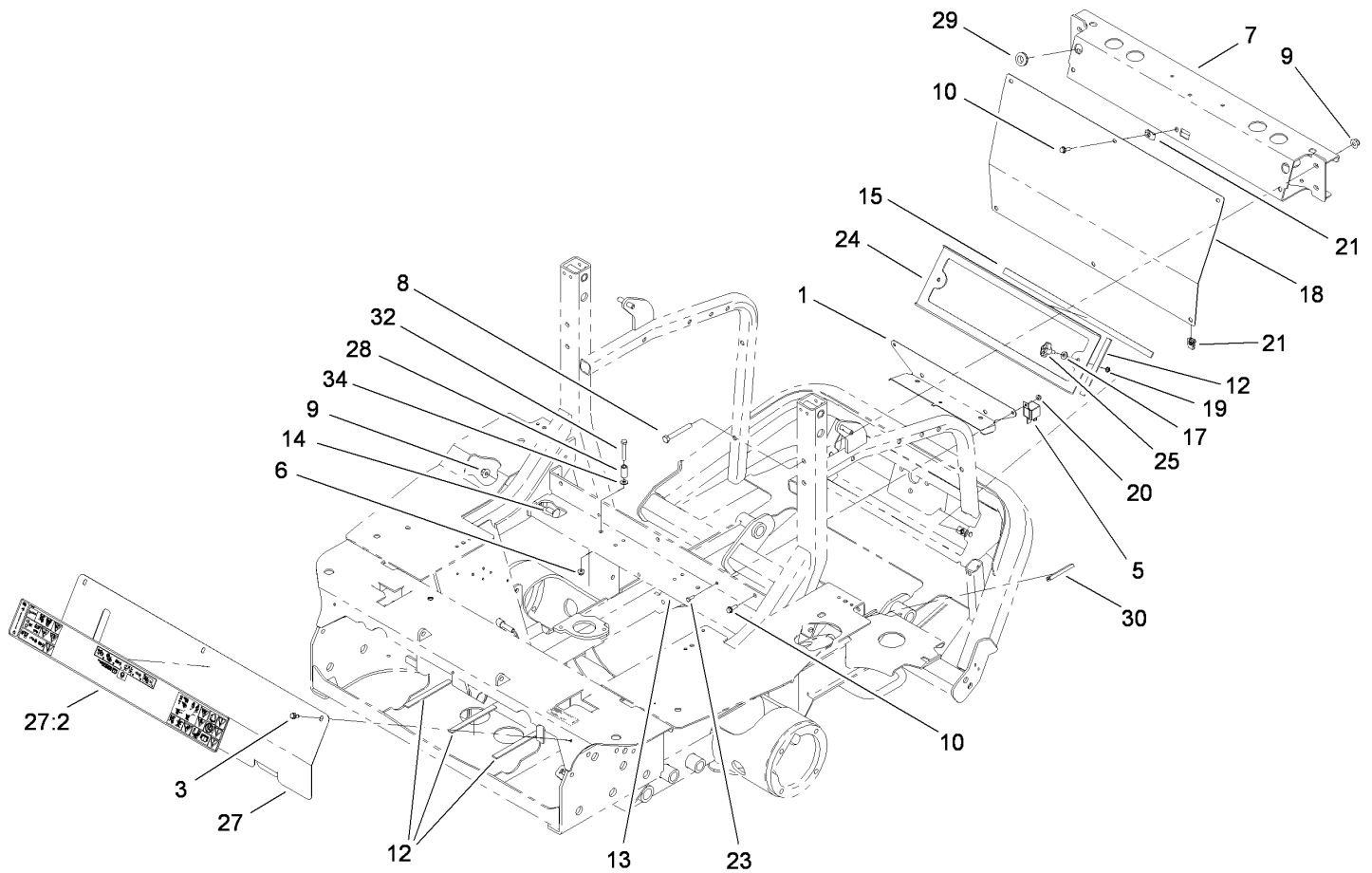
Part descriptions in this catalog may include the following abbreviations.

AR.	as required	HYD.	hydraulic
ASM.	assembly	LH.	left hand
BBC.	blade brake clutch	NI.	nylon insert
CARR.	carriage	NPTF.	national pipe thread fine
DEG.	degrees	PFH.	phillips flat head
EXT.	external	PPH.	phillips pan head
FH.	flat head	PPHTF.	phillips pan head thread forming
GA.	gauge	PRH.	phillips round head
HD.	heavy-duty	PTH.	phillips truss head
HF.	hex flange	PTO.	power-take-off
HH.	hex head	RH.	right hand
HHF.	hex head flange	ROPS.	roll-over protection system
HHFTF.	hex head flange thread forming	SFH.	slotted fillister head
HJ.	hex jam	SHH.	slotted hex head
HLH.	hex lag head	SHWH.	slotted hex washer head
HOC.	height-of-cut	SPH.	slotted pan head
HSBH.	hex socket button head	SQH.	square head
HSFH.	hex socket flat head	SRH.	slotted round head
HSH.	hex socket head	STD.	standard
HWH.	hex washer head	TAP.	self tapping
HWHTF.	hex washer head thread forming	TTH.	torx truss head

Footnotes

- ❶ Not illustrated
- ❸ Optional Equipment

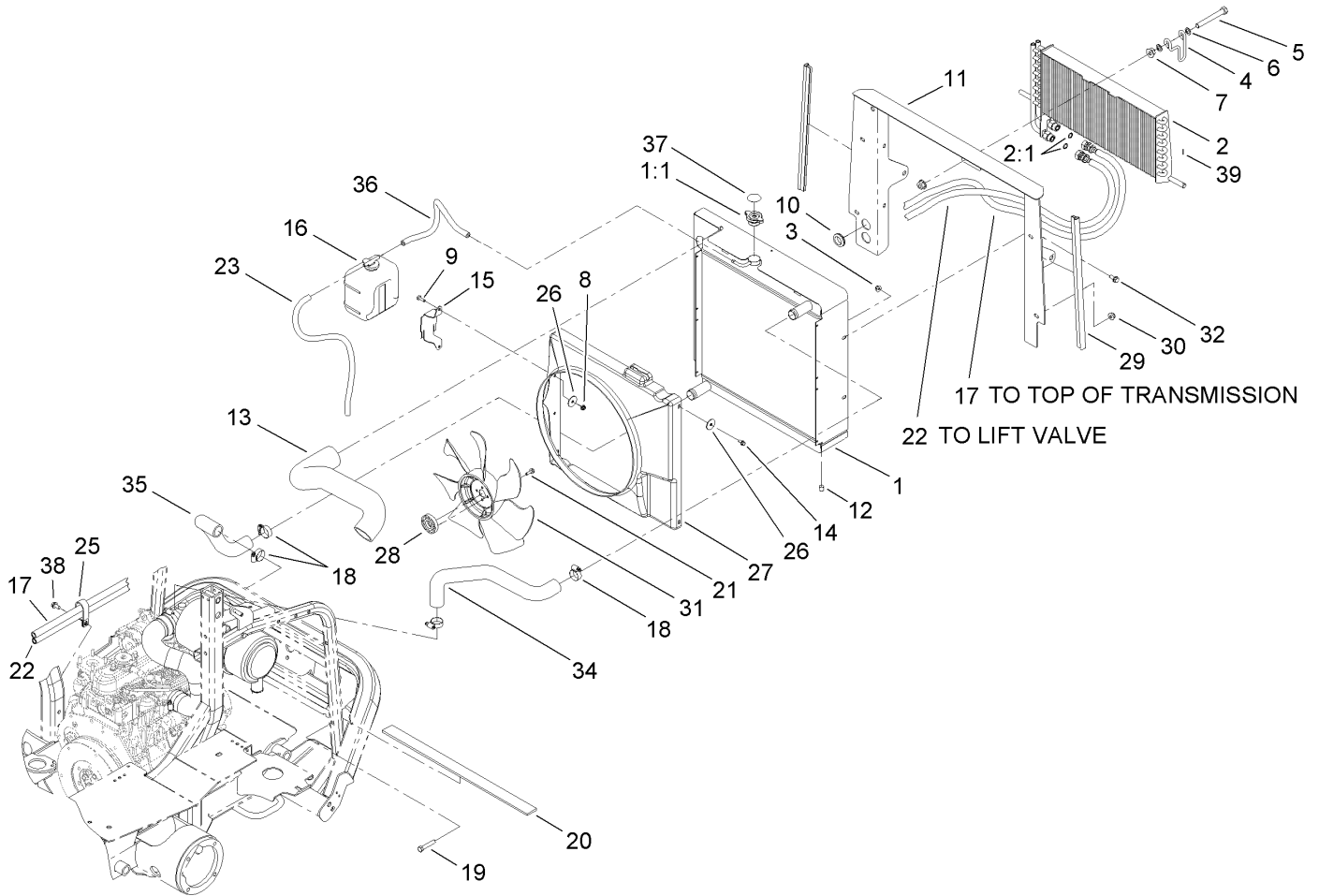
- ❷ Not serviced separately



Frame Assembly

Ref	Part No.	Qty.	Description
1	114-4055-03	1	Bracket-Wire
3	32144-10	3	Screw-HWH
5	99-7435	1	Relay-Power
6	104-7201	2	Nut-HF
7	112-6361-03	1	Crossmember ASM
8	323-13	4	Screw-HH
9	104-8301	8	Nut-Flange, NI
10	3234-4	6	Screw-HHF
12	105-0778	5	Strip-Foam
13	105-7296-03	1	Support-Seat
14	3231-2	4	Screw-CARR
15	112-6387	2	Strip-Foam
17	3256-22	2	Washer-Flat
18	112-6367-03	1	Panel-Rear
19	32151-106	2	Ring-Retaining
20	3290-148	2	Nut-HF
21	107069	8	Clip
23	3290-134	2	Screw
24	112-6384-03	1	Screen ASM
25	98-8332	2	Knob
27	110-9794	1	Cover-Front
27:2	110-9772	1	Decal-Safety
28	95-5807	2	Spacer
29	237-124	2	Grommet

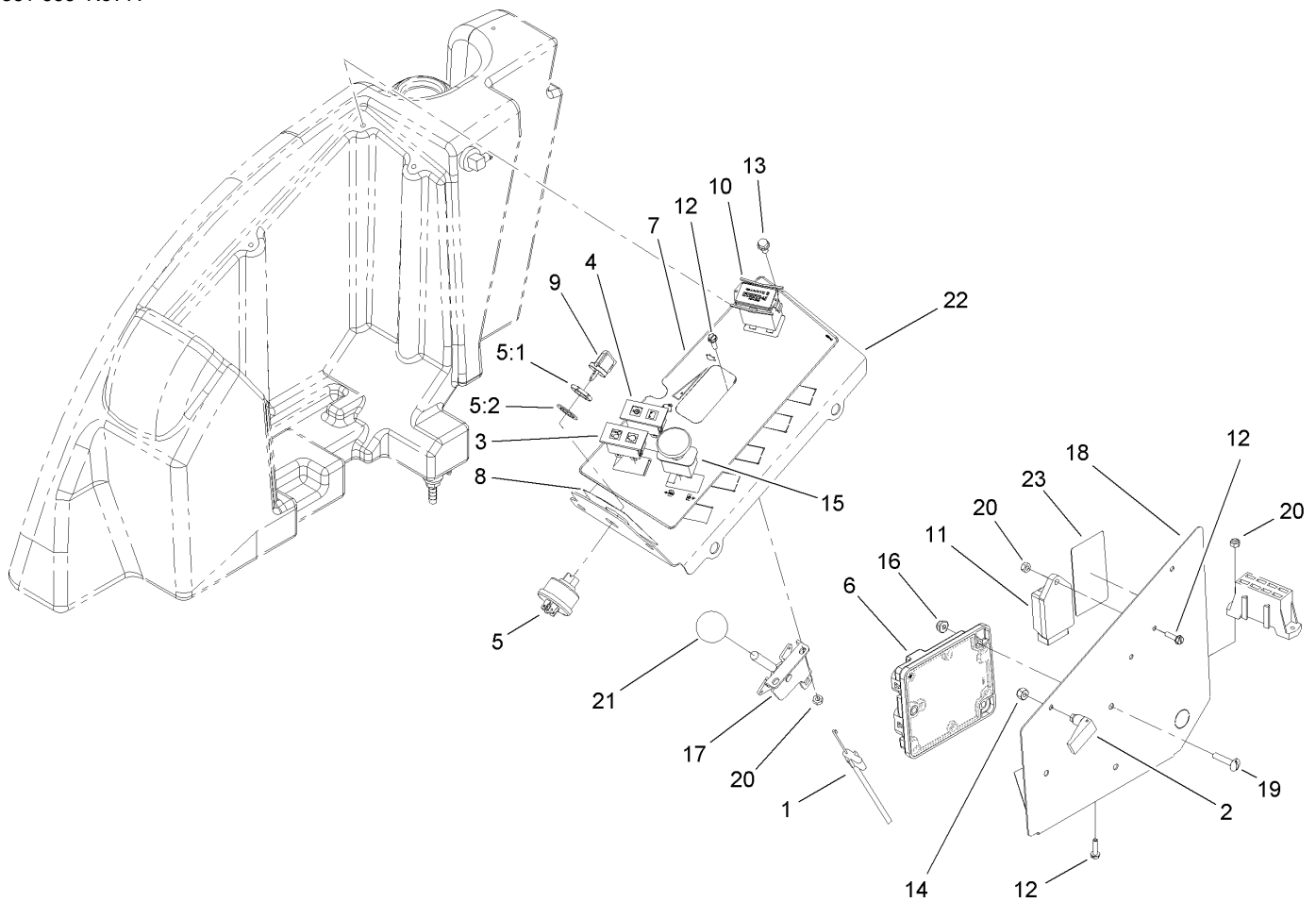
Ref	Part No.	Qty.	Description
30	110-8276	1	Trim-Hold Down, Battery
32	321-10	2	Screw-HH
34	3256-22	2	Washer-Flat



Radiator Assembly

Ref	Part No.	Qty.	Description
1	99-3637	1	Radiator
1:1	93-5957	1	Cap-Radiator
2	112-1684	1	Cooler-Oil
2:1	237-30	2	O-Ring
3	104-8300	4	Nut-Flange, NI
4	104-5429	1	Clamp-Form, Wire
5	325-17	1	Screw-HH
6	41-8440	2	Washer
7	32128-49	2	Nut-HHF
8	104-7201	2	Nut-HF
9	321-4	2	Screw-HH
10	240-5	2	Grommet-Rubber
11	110-8277-03	1	Frame-Radiator
12	99-8551	1	Plug-Pipe
13	105-7281	1	Hose-Air Inlet, Upper
14	32104-116	4	Screw
15	108-9930-03	1	Bracket-Bottle
16	108-0638	1	Bottle-Overflow
17	110-5542	1	HYD Hose ASM
18	2412-34	4	Clamp-Hose
19	323-10	4	Screw-HH
20	108-9935	1	Strip-Foam
21	33103-020	4	Screw-HHF
22	110-5543	1	HYD Hose ASM

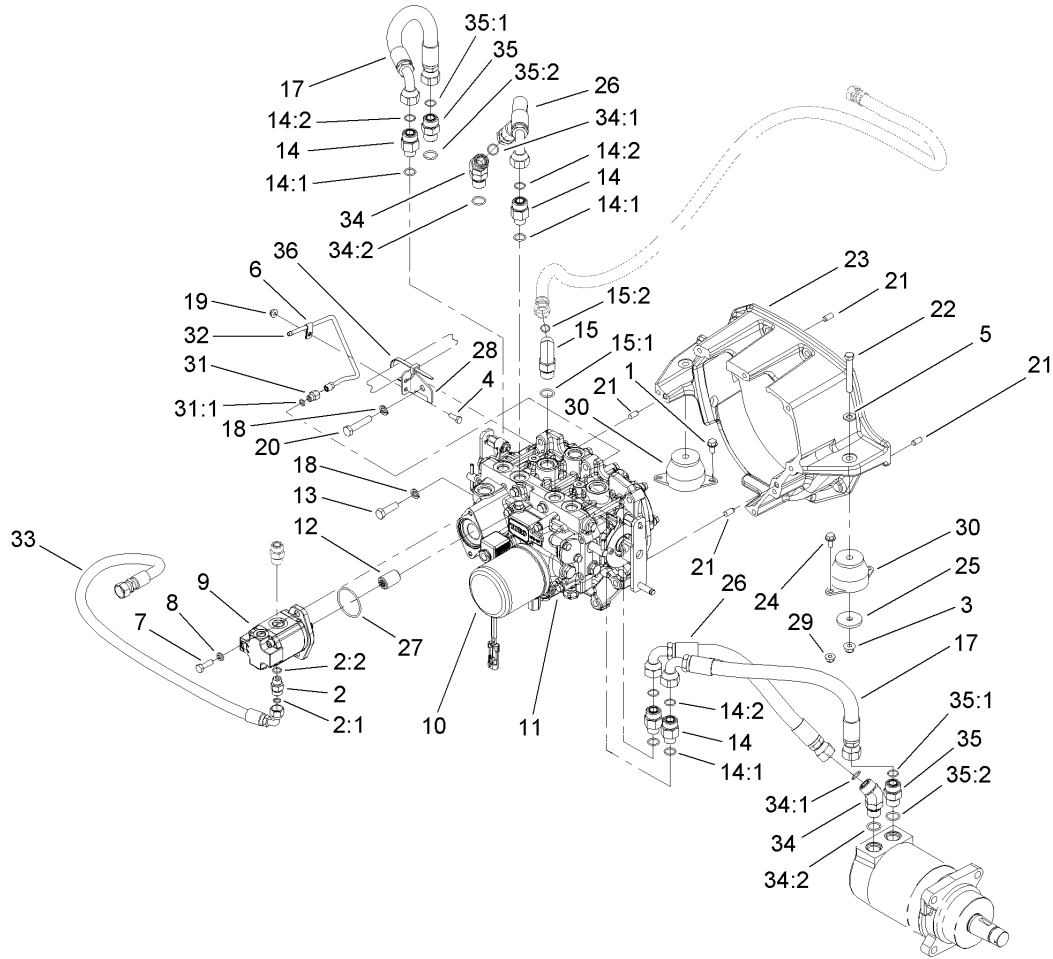
Ref	Part No.	Qty.	Description
23	108-3284	1	Hose-Fuel
25	2412-137	1	Clamp-R, Double
26	3256-55	6	Washer-Flat
27	108-9927	1	Shroud-Fan
28	104-4247	1	Spacer-Fan
29	107-2269	2	Seal-Bulb
30	104-8301	4	Nut-Flange, NI
31	104-4246	1	Fan-Engine
32	3234-5	4	Screw-HHF
34	105-7282	1	Hose-Radiator, Upper
35	105-7283	1	Hose-Radiator, Lower
36	109-0274	1	Hose-Fuel
37	106-6755	1	Decal-Cap, Radiator
38	32144-14	1	Screw-HWHTF
39	32121-107	1	Pin-Roll, Slotted



Control Panel Assembly

Ref	Part No.	Qty.	Description
1	110-5548	1	Cable-Throttle
2	74-5950	2	Latch-Swell
3	100-8071	1	Lamp-Warning
4	100-8070	1	Lamp-Warning
5	104-2541	1	Switch ASM
5:1	218-461	1	Nut-HH
5:2	3254-5	1	Washer-Tooth
6	106-9277	1	Module-Control, Standard
7	110-8253	1	Decal-Panel, Control
8	110-8254	1	Decal-Start, Control Panel
9	63-8360	2	Key-Ignition
10	1-513374	1	Meter-Hour
11	107-9097	1	Controller-Glow
12	32105-13	5	Screw-HWH
13	3234-13	5	Screw-HHF
14	1-804254	2	Nut
15	93-9999	1	Switch-PTO
16	104-7201	3	Nut-HF
17	110-5547	1	Control Lever ASM
18	110-8257-03	1	Cover-Panel, Control
19	3258-19	3	Screw
20	3296-2	5	Nut-Lock
21	233-42	1	Knob
22	110-8256-03	1	Panel-Control

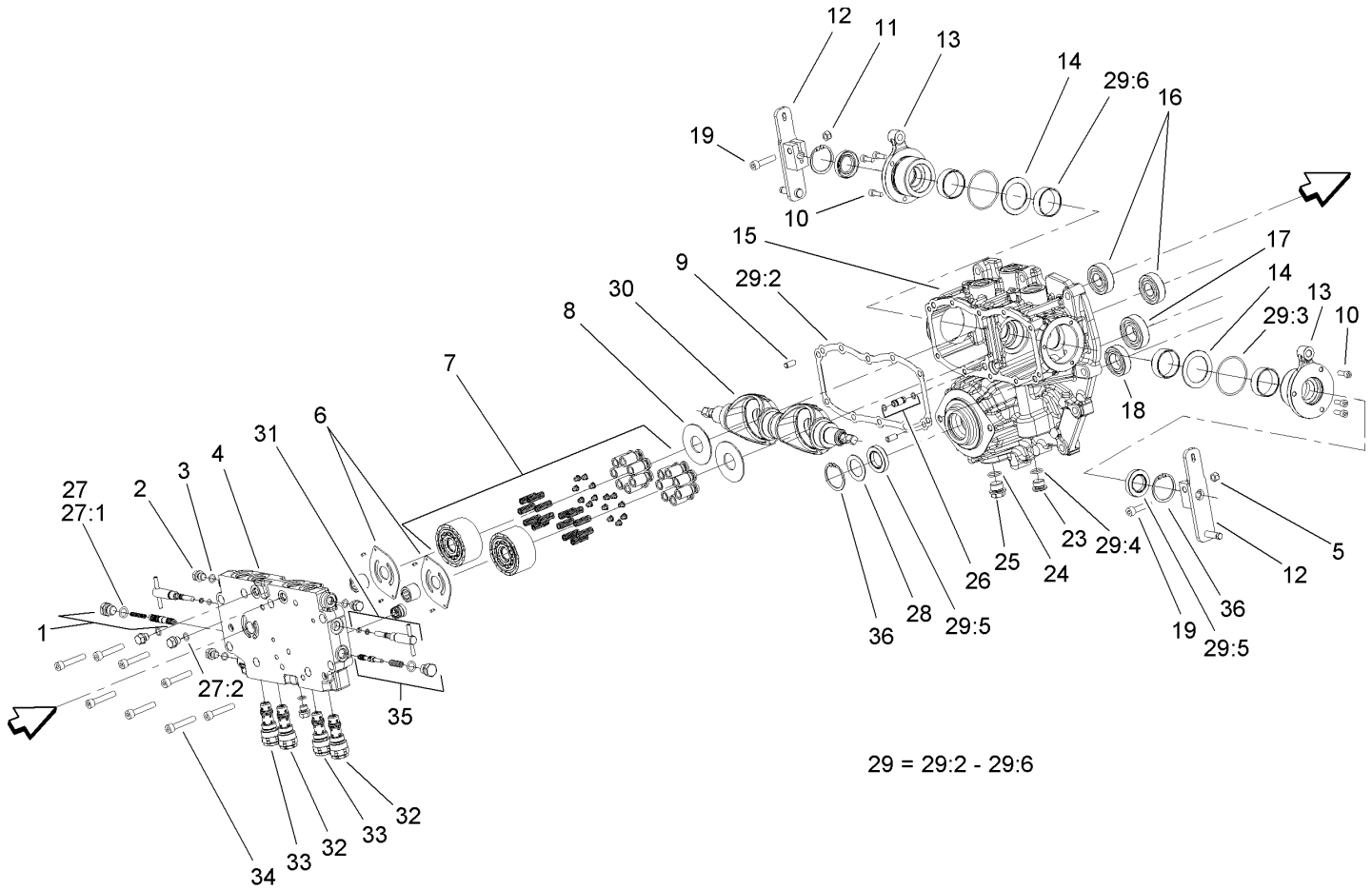
Ref	Part No.	Qty.	Description
23	110-9796	1	Decal-Block, Fuse



Transmission Assembly

Ref	Part No.	Qty.	Description
1	32144-14	2	Screw-HWHTF
2	340-2	1	Fitting-HYD, Straight
2:1	237-22	1	O-Ring
2:2	237-42	1	O-Ring
3	104-8301	2	Nut-Flange, NI
4	321-4	1	Screw-HH
5	3256-24	2	Washer-Flat
6	2412-72	1	Clip-Closed, Insulated
7	33114-025	2	Screw-HH
8	3253-4	2	Washer-Lock
9	112-9542	1	Pump-Gear
10	108-5194	1	Filter-Oil
11	107-0801	1	Transmission ASM
12	108-9920	1	Coupler-Spline, 9T
13	33115-035	1	Screw-HH
14	340-155	4	Fitting-HYD, Straight
14:1	237-79	1	O-Ring
14:2	237-151	1	O-Ring
15	340-105	1	Fitting-HYD, 90 DEG
15:1	237-80	1	O-Ring
15:2	237-30	1	O-Ring
17	112-1683	2	Hose ASM
18	48-9590	7	Washer-Lock
19	104-7201	1	Nut-HF

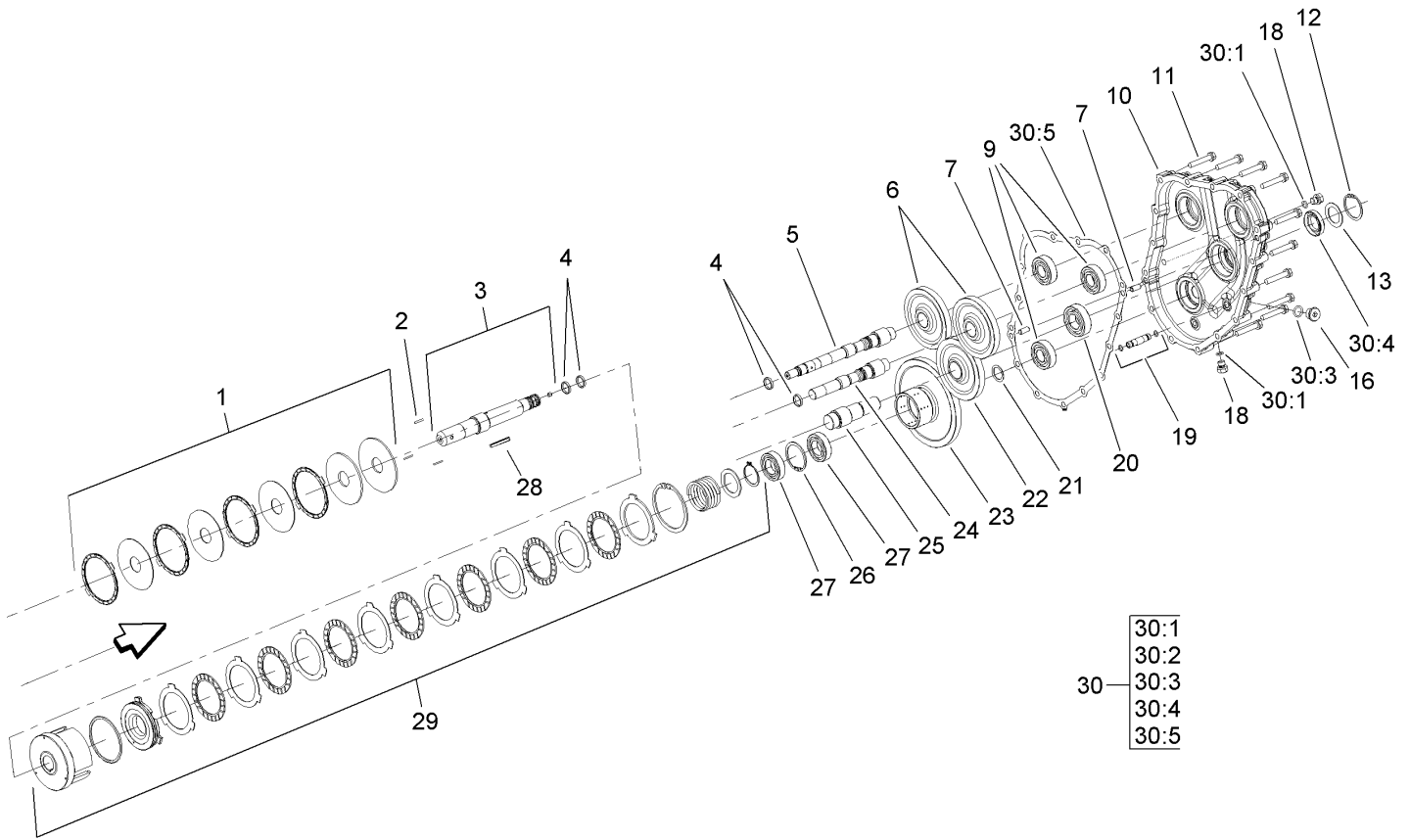
Ref	Part No.	Qty.	Description
20	33115-050	6	Screw-HH
21	87-1910	4	Pin-Dowel
22	323-13	2	Screw-HH
23	108-5193	1	Housing-Flywheel
24	3234-17	2	Screw-HHF
25	80-8560	2	Washer-Hardened
26	110-5518	2	Hose ASM
27	108-9919	1	O-Ring
28	110-5534	1	Support-Tube
29	104-8300	2	Nut-Flange, NI
30	107-2289	2	Mount-Motor
31	110-5536	1	Fitting-HYD, Adapter
31:1	237-78	1	O-Ring
32	110-5537	1	Tube ASM
33	94-5961	1	Hose ASM
34	340-14	2	Fitting-HYD, 45 DEG
34:1	237-65	1	O-Ring
34:2	237-80	1	O-Ring
35	340-7	2	Adapter
35:1	237-65	1	O-Ring
35:2	237-80	1	O-Ring
36	3290-378	1	Tie-Cable



Center Section Assembly Transmission Assembly No. 107-0801

Ref	Part No.	Qty.	Description
1	107-0807	1	Valve-Flushing, RH
2	107-0857	6	Plug
3	107-0817	6	O Ring-Plug
4	107-0802	1	Case-Center
5	107-0858	1	U-Nut
6	107-0805	2	Plate-Valve
7	107-0824	2	Cylinder Block ASM
8	107-0830	2	Plate-Thrust
9	92-0765	4	Pin-Parallel
10	107-0859	6	Bolt
11	107-0858	2	U-Nut
12	107-0831	2	Arm-Control
13	107-0832	2	Side Cover ASM
14	107-0829	2	Washer
15	107-0809	1	Housing-Pump
16	107-0826	2	Bearing
17	107-0821	1	Bearing
18	107-0838	1	Bearing
19	107-0860	2	Bolt
23	107-0861	1	Plug-NPTF
24	107-0862	1	O-Ring
25	107-0867	1	Plug
26	107-0812	1	Pipe
27	107-0852	1	Center Case Seal Kit

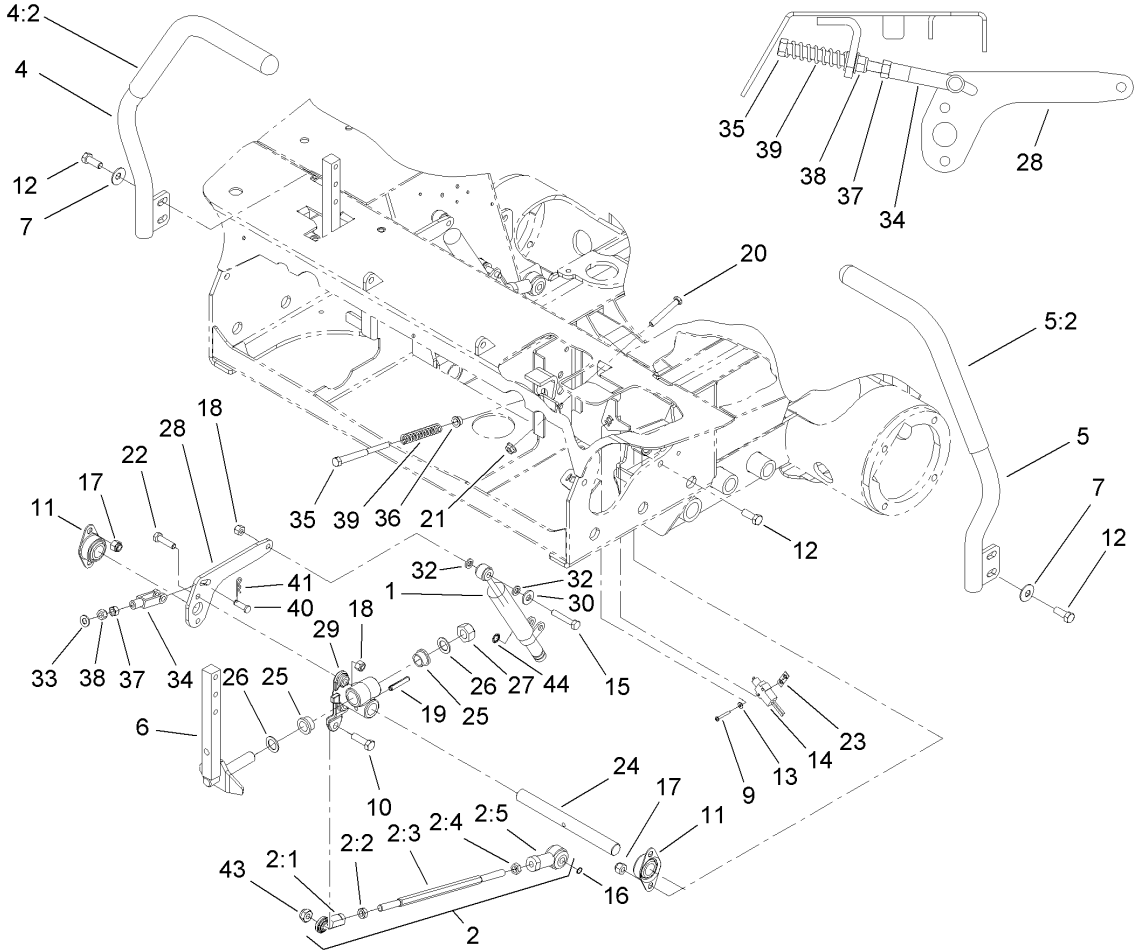
Ref	Part No.	Qty.	Description
27:1	93-0418	2	O-Ring
27:2	107-0817	6	O Ring-Plug
28	107-0813	1	Spacer
29	107-0853	1	Pump Housing Seal Kit
29:2	107-0810	1	Gasket-Case, Center
29:3	107-0817	2	O Ring-Plug
29:4	104-3298	1	Packing
29:5	107-0814	3	Seal
29:6	107-0825	4	Ring-Seal
30	107-0828	2	Plate-Swash
31	107-0808	2	Valve-Bypass
32	107-0804	2	Valve-Rear
33	107-0803	2	Valve-Front
34	107-0863	8	Bolt
35	107-0806	1	Valve-Flushing, LH
36	92-0757	2	Ring-Snap



Gear Case and Clutch Assembly Transmission Assembly No. 107-0801

Ref	Part No.	Qty.	Description
1	107-0839	1	PTO Brake ASM
2	107-0837	3	Rod-Push
3	107-0833	1	PTO Shaft ASM
4	107-0825	2	Ring-Seal
5	107-0827	1	Shaft-Pump
6	107-0823	2	Gear-Pump
7	92-0765	4	Pin-Parallel
9	107-0826	4	Bearing
10	107-0815	1	Housing-Gear Case
11	107-0863	13	Bolt
12	92-0757	1	Ring-Snap
13	107-0813	1	Spacer
16	107-0861	1	Plug-NPTF
18	107-0857	6	Plug
19	107-0811	1	Pipe
20	107-0821	2	Bearing
21	107-0836	1	Spacer
22	107-0820	1	Gear-Input
23	107-0834	1	Gear-PTO
24	107-0822	1	Shaft-Pump
25	107-0819	1	Shaft-Input
26	92-0758	1	Ring-Snap
27	107-0838	3	Bearing
28	107-0866	1	Key

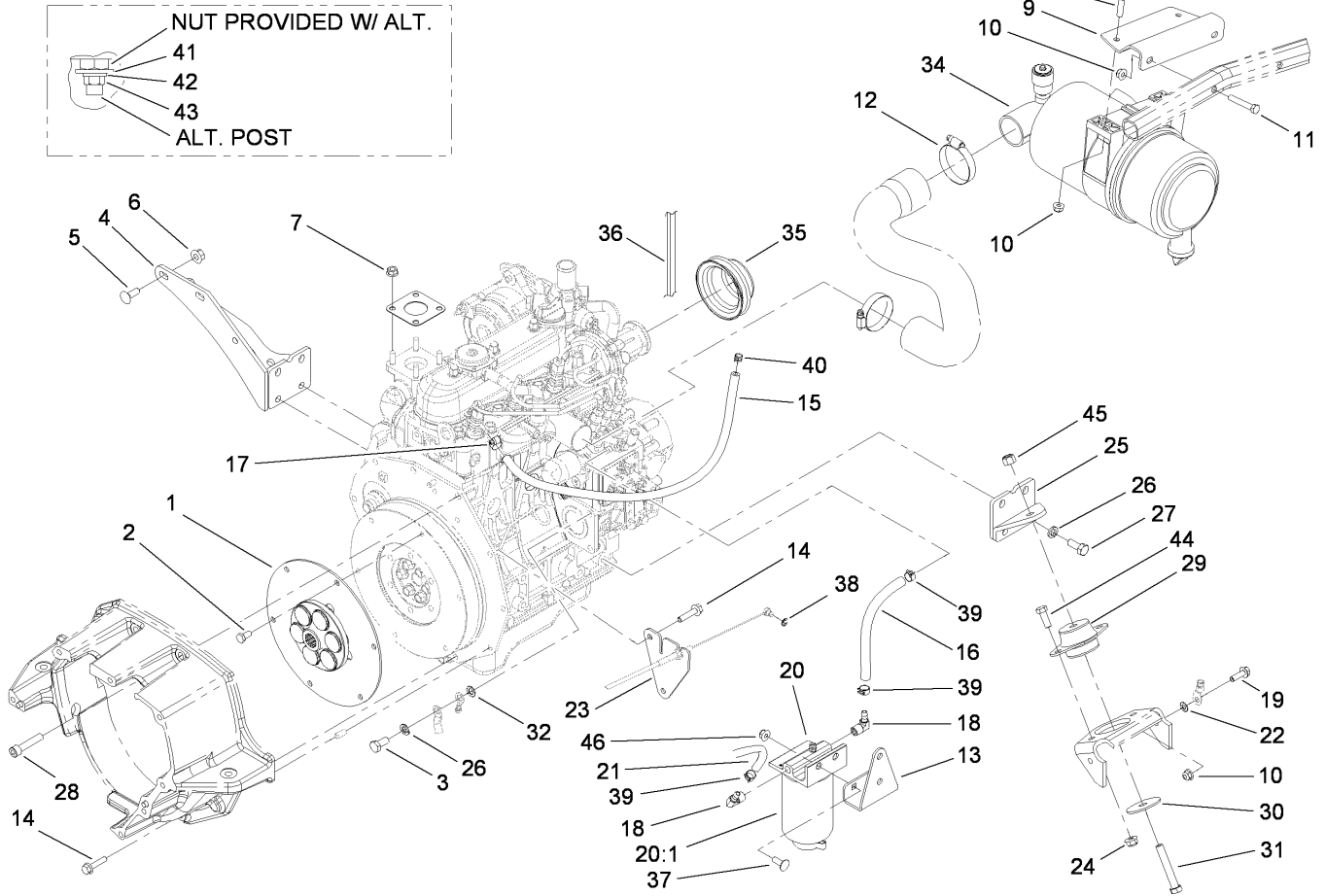
Ref	Part No.	Qty.	Description
29	107-0835	1	Clutch Cylinder ASM
30	107-0854	1	Gear Housing Seal Kit
30:1	107-0817	2	O Ring-Plug
30:2		2	O-Ring
30:3	104-3298	1	Packing
30:4	107-0814	1	Seal
30:5	107-0816	1	Gasket-Housing, Gear



Traction Control Assembly

Ref	Part No.	Qty.	Description
1	105-7280	2	Damper
2	112-5099	2	Link ASM
2:1	103-1167	1	Joint-Ball End, LH
2:2	3220-16	1	Nut-Jam, LH
2:3	105-7239	1	Rod-Threaded
2:4	3219-3	1	Nut-Hex
2:5	105-7199	1	Rod End-Isolated
4	108-5208	1	RH Lever And Grip ASM
4:2	108-5213	1	Grip-Foam
5	108-5209	1	LH Lever And Grip ASM
5:2	108-5213	1	Grip-Foam
6	108-9833-03	2	Lever ASM
7	3290-461	4	Washer-Spring
9	3250-35	4	Screw-PPH
10	323-7	2	Screw-HH
11	1-633102	4	Bearing-Flange, Side
12	323-6	12	Screw-HH
13	3256-53	4	Washer-Flat
14	99-3410	2	Switch
15	322-9	2	Screw-HH
16	32120-46	2	Ring-Retaining
17	3296-39	8	Nut-Lock, NI
18	3296-29	6	Nut-Lock, NI
19	32121-15	2	Pin-Roll

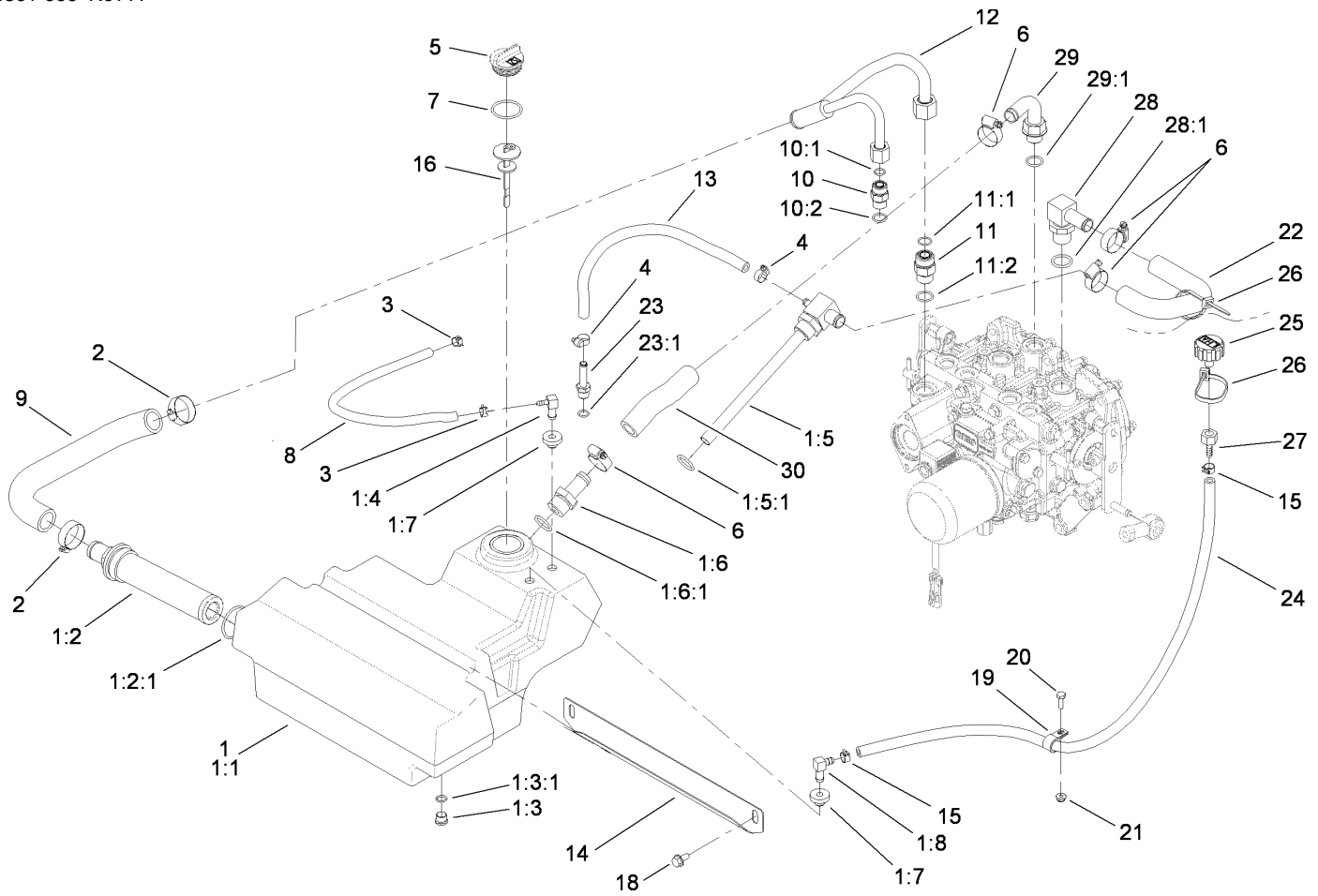
Ref	Part No.	Qty.	Description
20	9114524	2	Bolt-TAP, HH
21	32128-26	2	Nut-Flange
22	322-6	4	Screw-HH
23	108-9824	2	Nut-Switch
24	108-9830	2	Shaft-Pivot
25	105-3455	4	Bushing
26	105-3481	4	Washer-Thrust
27	32152-6	2	Nut-Lock, Cone
28	108-9829-03	2	Lever-Damper
29	108-9831	2	Hub-Control
30	3256-3	2	Washer-Flat
32	3253-4	4	Washer-Lock
33	3256-23	2	Washer-Flat
34	1-303105	2	Yoke-Adjustable
35	1-603737	2	Bolt-Return, Neutral
36	1-603735	2	Bushing-Flanged
37	3219-2	2	Nut-Hex
38	3296-4	2	Nut-Lock
39	1-603807	2	Spring-Return, Neutral
40	283-1	2	Pin-Clevis
41	3290-307	2	Pin-Hair
43	3296-44	2	Nut-Lock, NI
44	32151-72	2	Ring-Retaining



Engine Component Assembly

Ref	Part No.	Qty.	Description
1	110-9729	1	Flywheel Coupling ASM
2	33114-016	6	Screw-HH
3	63-7790	1	Screw-Cap
4	108-9926-03	1	Muffler Bracket ASM
5	3231-22	2	Screw-CARR
6	32128-29	2	Locknut-Flange
7	33004-00	4	Nut-HF
8	322-6	2	Screw-HH
9	108-9843-03	1	Support-Cleaner, Air
10	104-8300	5	Nut-Flange, NI
11	322-10	2	Screw-HH
12	2412-130	1	Clamp-Hose
13	114-4058-03	1	Mount-Separator
14	33104-035	8	Screw-HHF
15	110-8255	1	Hose-Fuel
16	110-4104	1	Hose-Fuel
17	2412-108	1	Clamp-Worm
18	353-781	2	Fitting-Elbow
19	3234-17	1	Screw-HHF
20	110-9044	1	Filter-Separator
20:1	110-9049	1	Filter-Spin On
21	114-4028	1	Hose-Fuel
22	3255-8	1	Washer-Lock
23	114-4060	1	Bracket-Throttle

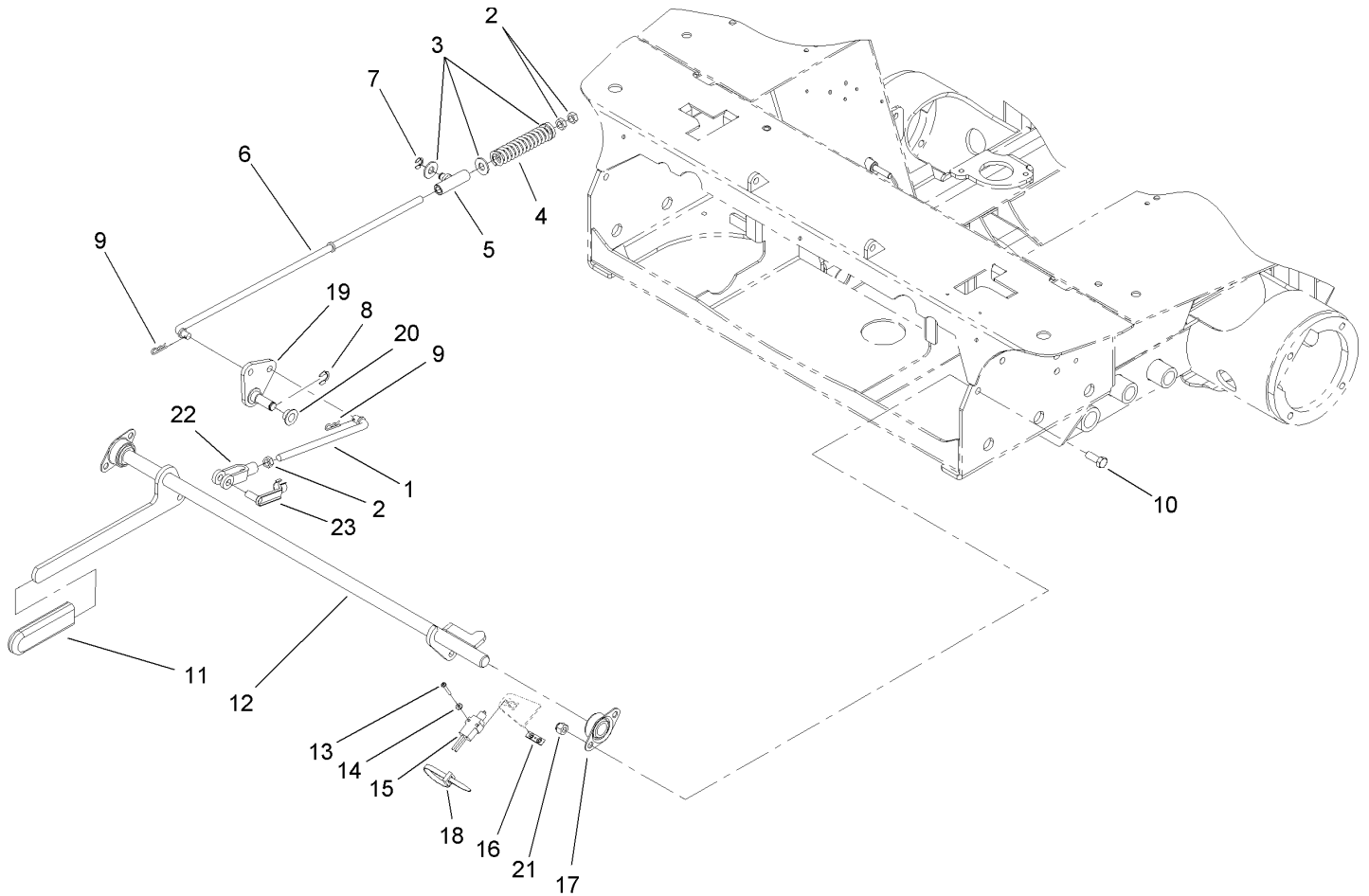
Ref	Part No.	Qty.	Description
24	104-8301	4	Nut-Flange, NI
25	105-7235-03	1	LH Rear Mount ASM
26	48-9590	9	Washer-Lock
27	43-0090	8	Screw-HH
28	3274-106	2	Screw-HSH
29	53-9681	2	Mount-Engine
30	87-5100	2	Washer-Snubbing
31	324-11	2	Screw-HH
32	3255-9	1	Washer-Lock
34	104-3428	1	Air Cleaner ASM
35	98-9584	1	Pulley-Fan
36	98-9676	1	V-Belt
37	3230-10	2	Screw-CARR
38	701197	1	E-Ring
39	92-2379	3	Clamp-Hose
40	2412-80	1	Clamp-Line, Fuel
41	3256-2	1	Washer-Flat
42	43-5930	1	Washer-Spring
43	33013-00	1	Nut-Hex
44	323-6	4	Screw-HH
45	3296-48	2	Nut-Lock, NI
46	32128-44	2	Nut



Hydraulic Assembly

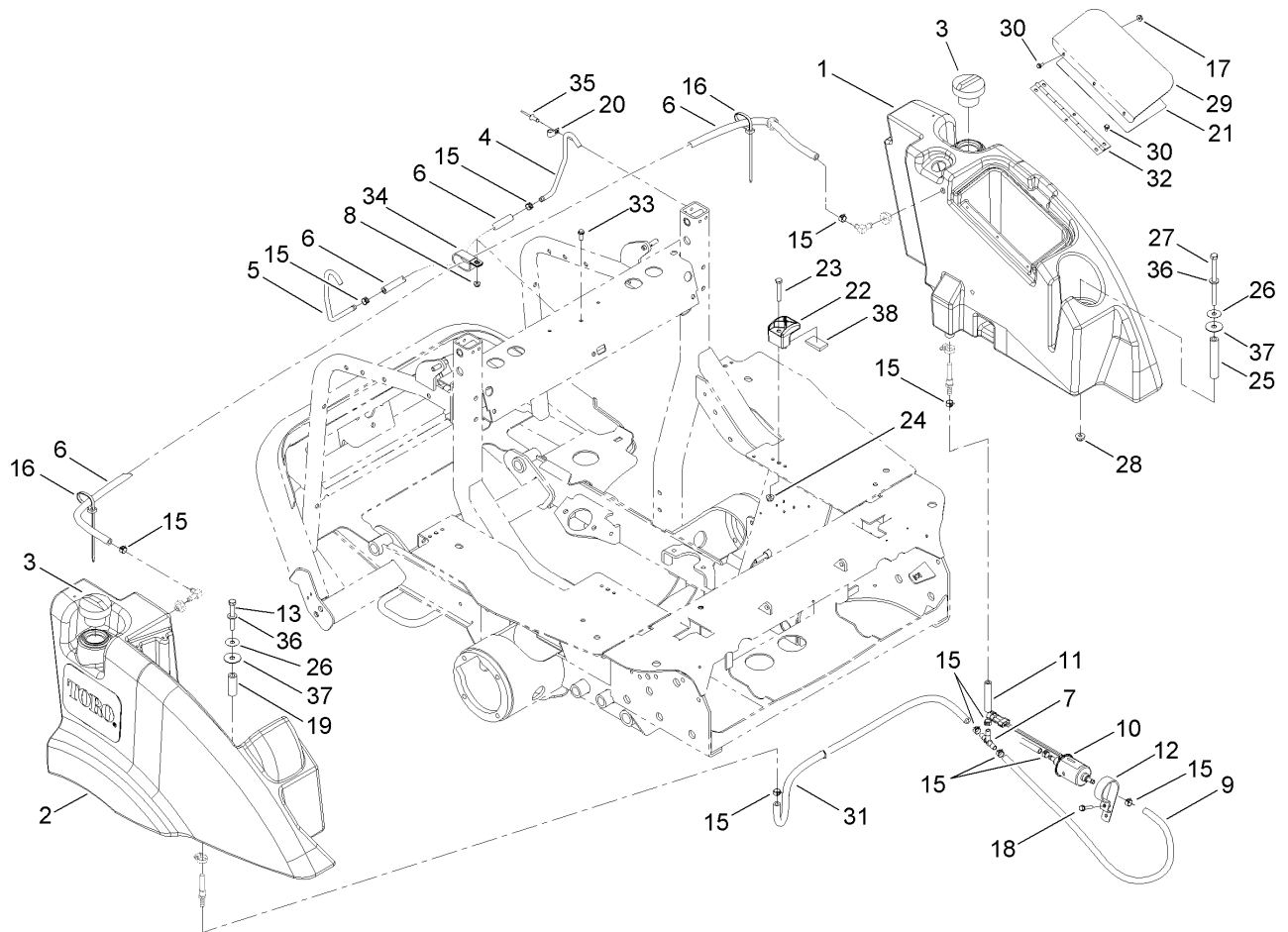
Ref	Part No.	Qty.	Description
1	110-8237	1	Hydraulic Reservoir ASM
1:1	108-5200	1	Reservoir-Hydraulic
1:2	104-7546	1	Strainer-Tank
1:2:1	340-136	1	O-Ring
1:3	353-989	1	Plug-Hex, Hollow
1:3:1	237-42	1	O-Ring
1:4	104-5228	1	Fitting-Elbow
1:5	108-9894	1	Fitting-Elbow, Special
1:5:1	237-81	1	O-Ring
1:6	354-73	1	Fitting-Straight
1:6:1	237-81	1	O-Ring
1:7	46-6560	2	Bushing
1:8	46-6550	1	Fitting-Elbow, 90 DEG
2	2412-34	2	Clamp-Hose
3	2412-98	2	Clamp
4	2412-108	2	Clamp-Worm
5	93-7498	1	Plug-Plastic
6	2412-129	4	Clamp-Hose
7	94-8166	1	O-Ring
8	109-0299	1	Hose-Fuel
9	110-5526	1	Hose-Suction
10	340-4	1	Fitting-HYD, Straight
10:1	237-30	1	O-Ring
10:2	237-79	1	O-Ring

Ref	Part No.	Qty.	Description
11	340-7	1	Adapter
11:1	237-65	1	O-Ring
11:2	237-80	1	O-Ring
12	110-5532	1	Tube ASM
13	94-5625	1	Hose-Overflow, Radiator
14	110-5529-03	1	Support-Reservoir
15	92-2379	2	Clamp-Hose
16	112-6365	1	Dipstick ASM
18	32144-14	2	Screw-HWHTF
19	2412-87	1	Clamp-Cable
20	321-4	1	Screw-HH
21	104-7201	1	Nut-HF
22	110-5524	1	Hose-Return
23	353-979	1	Fitting-Straight
23:1	237-42	1	O-Ring
24	110-9662	1	Hose-Fuel
25	68-6150	1	Breather
26	3290-379	2	Tie-Cable
27	354-95	1	Fitting-Straight
28	353-987	1	Fitting-HYD, 90
28:1	237-81	1	O-Ring
29	110-5522	1	Fitting-Elbow, 90
29:1	237-80	1	O-Ring
30	112-1680	1	Hose-HYD



Parking Brake Assembly

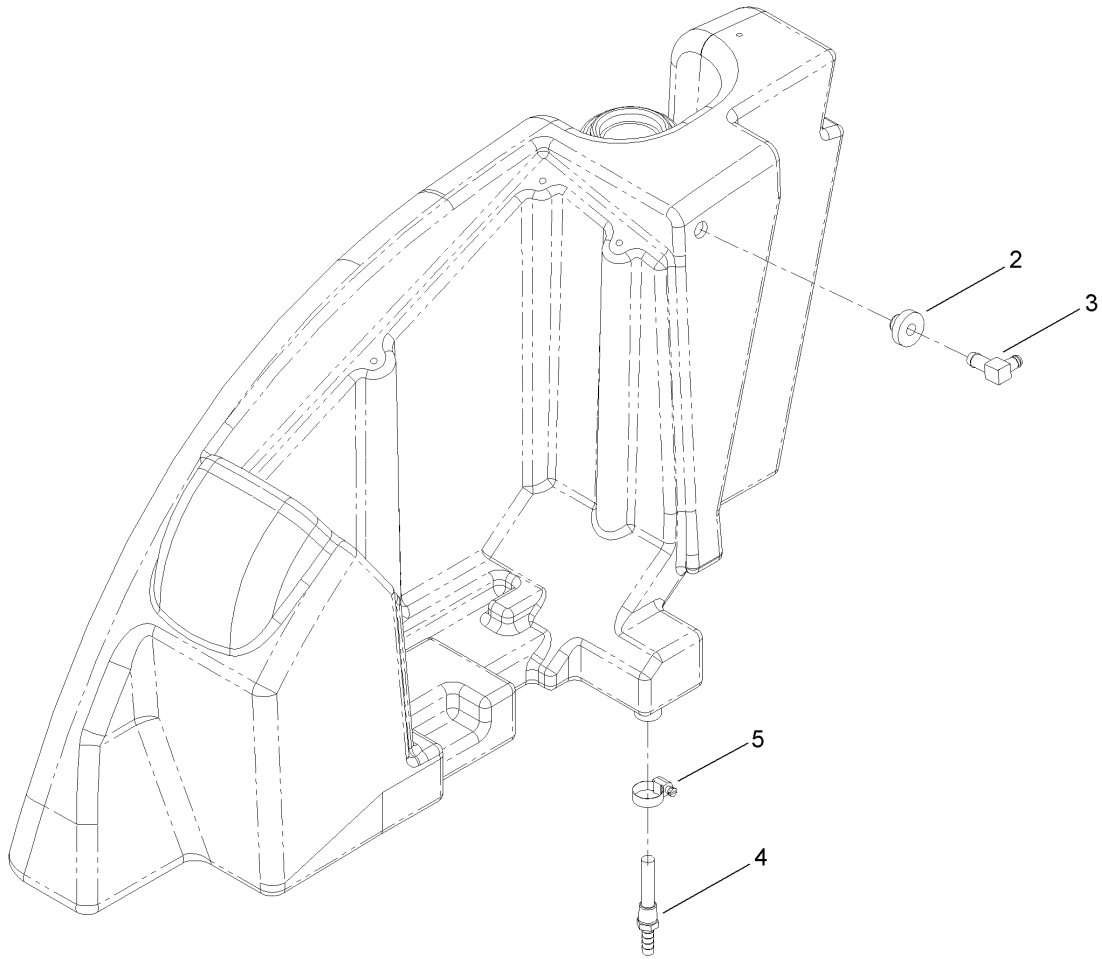
Ref	Part No.	Qty.	Description
1	110-5498	2	Rod-Brake, Front
2	3219-3	6	Nut-Hex
3	3256-4	6	Washer-Flat
4	109-2230	2	Spring-Compression
5	112-1676	2	Swivel ASM
6	110-5494	2	Rod-Brake, Rear
7	32151-47	2	Ring-Retaining
8	32151-68	2	Ring-Retaining
9	3290-307	4	Pin-Hair
10	323-6	4	Screw-HH
11	1-633268	1	Grip-Lever, Brake
12	108-5214-03	1	Brake Handle ASM
13	3250-35	2	Screw-PPH
14	3256-53	2	Washer-Flat
15	95-8900	1	Switch
16	108-9824	1	Nut-Switch
17	1-633102	2	Bearing-Flange, Side
18	3290-378	1	Tie-Cable
19	110-9754	2	Brake Pivot ASM
20	1-513140	4	Bearing-Control
21	3290-357	4	Nut-HHF, Whiz
22	1-633131	2	Yoke-Linkage, Brake
23	103-2399	2	Pin-Spring, Clevis



Fuel Tank Assembly

Ref	Part No.	Qty.	Description
1	110-8230	1	LH Fuel Tank ASM
2	110-8236	1	RH Fuel Tank ASM
3	115-5305	2	Cap-Fuel
4	110-8261	1	Tube-Vent, LH
5	110-8260	1	Tube-Vent, RH
6	110-6186	2	Hose-Fuel
7	354-107	1	Fitting-HYD, Tee
8	104-7201	1	Nut-HF
9	110-4113	1	Hose-Fuel
10	110-8806	1	Pump-Fuel
11	112-6388	1	Hose-Fuel
12	110-8817	1	Bracket-Pump, Fuel
13	323-13	1	Screw-HH
15	92-2379	11	Clamp-Hose
16	3290-378	2	Tie-Cable
17	32149-8	3	Nut-Keps
18	32144-110	1	Screw-HWH
19	92-1239	1	Spacer-Support
20	2412-89	2	Clamp
21	110-8252	1	Decal-Instructions, Service
22	107-4543	4	Clamp
23	322-10	4	Screw-HH
24	104-8300	4	Nut-Flange, NI
25	110-5539	1	Spacer

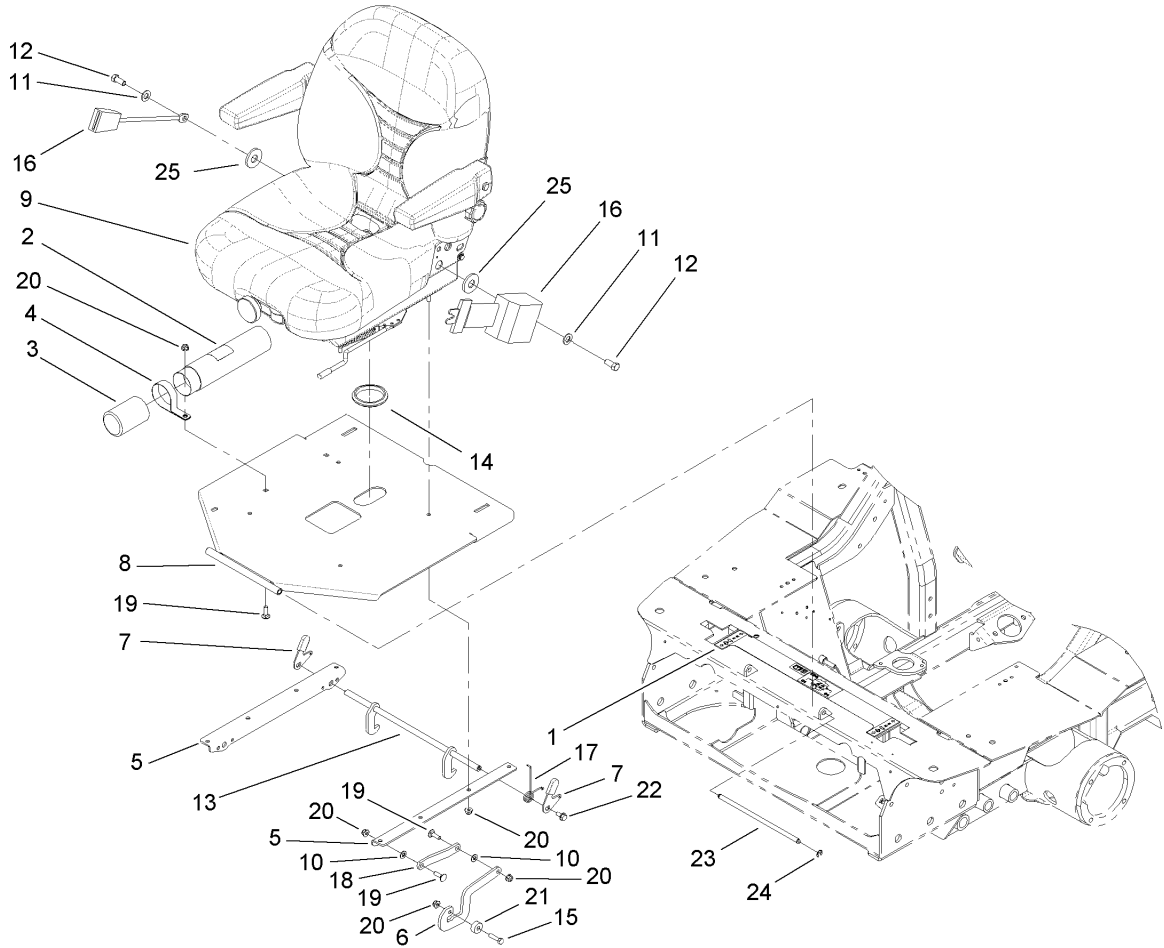
Ref	Part No.	Qty.	Description
26	105-6814	2	Washer-Plain
27	323-39	1	Screw-HH
28	104-8301	2	Nut-Flange, NI
29	110-5540-03	1	Cover-Toolbox
30	112-6349	6	Screw-HWH
31	110-9662	1	Hose-Fuel
32	108-2024	1	Hinge
33	3234-4	1	Screw-HHF
34	2412-137	1	Clamp-R, Double
35	3290-412	2	Rivet
36	3256-24	2	Washer-Flat
37	95-1905	2	Washer-Rubber
38	112-9561	4	Pad-Foam



RH Fuel Tank Assembly No. 110-8236

Ref	Part No.	Qty.	Description
2	46-6560	1	Bushing
3	1-643259	1	Fitting-Elbow
4	112-6374	1	Fitting-Strainer
5	2412-36	1	Clamp-Hose

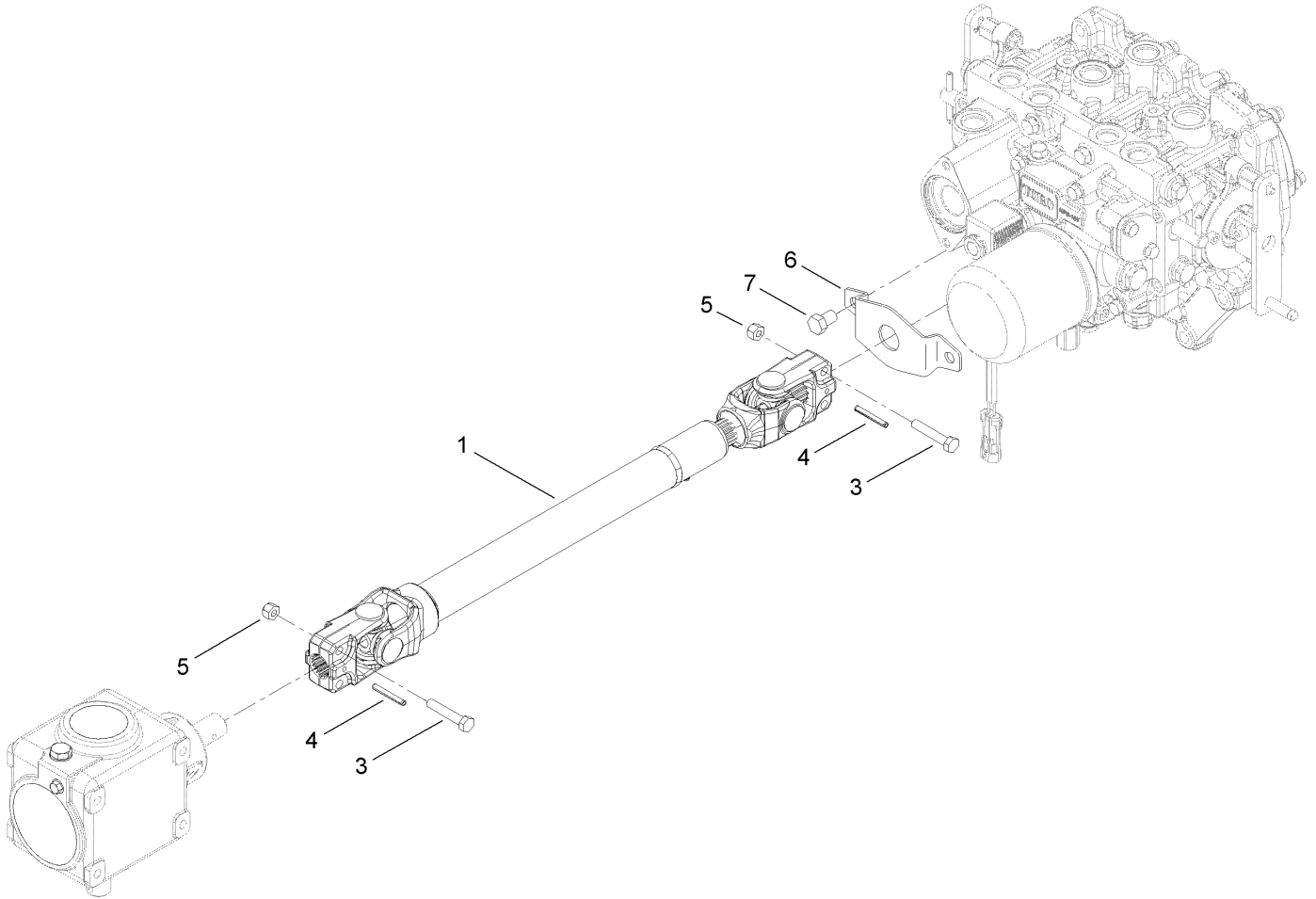
--	--	--	--



Seat Assembly

Ref	Part No.	Qty.	Description
1	110-9774	1	Decal-Safety
2	104-7050	1	Housing-Manual
3	104-7048	1	Cap-Housing
4	2412-133	2	R-Clamp
5	108-5238-03	2	Angle-Latch
6	110-5512	1	Lever-Stop, Seat
7	108-5243	2	Lever-Latch
8	107-2272-03	1	Plate-Seat
9	107-2286	1	Seat ASM
10	3256-23	2	Washer-Flat
11	3256-25	2	Washer-Flat
12	3212-4	2	Screw-HH
13	108-5240	1	Latch ASM
14	237-164	1	Grommet
15	322-6	1	Screw-HH
16	100-4928	1	Belt-Seat
17	106-4048	1	Spring-Torsion
18	110-5513	1	Link-Seat
19	3230-2	4	Bolt-CARR
20	104-8300	9	Nut-Flange, NI
21	104-1429	1	Spacer-Plain
22	32144-14	2	Screw-HWHTF
23	112-1686	1	Pin-Clevis
24	105-7004	2	E-Ring

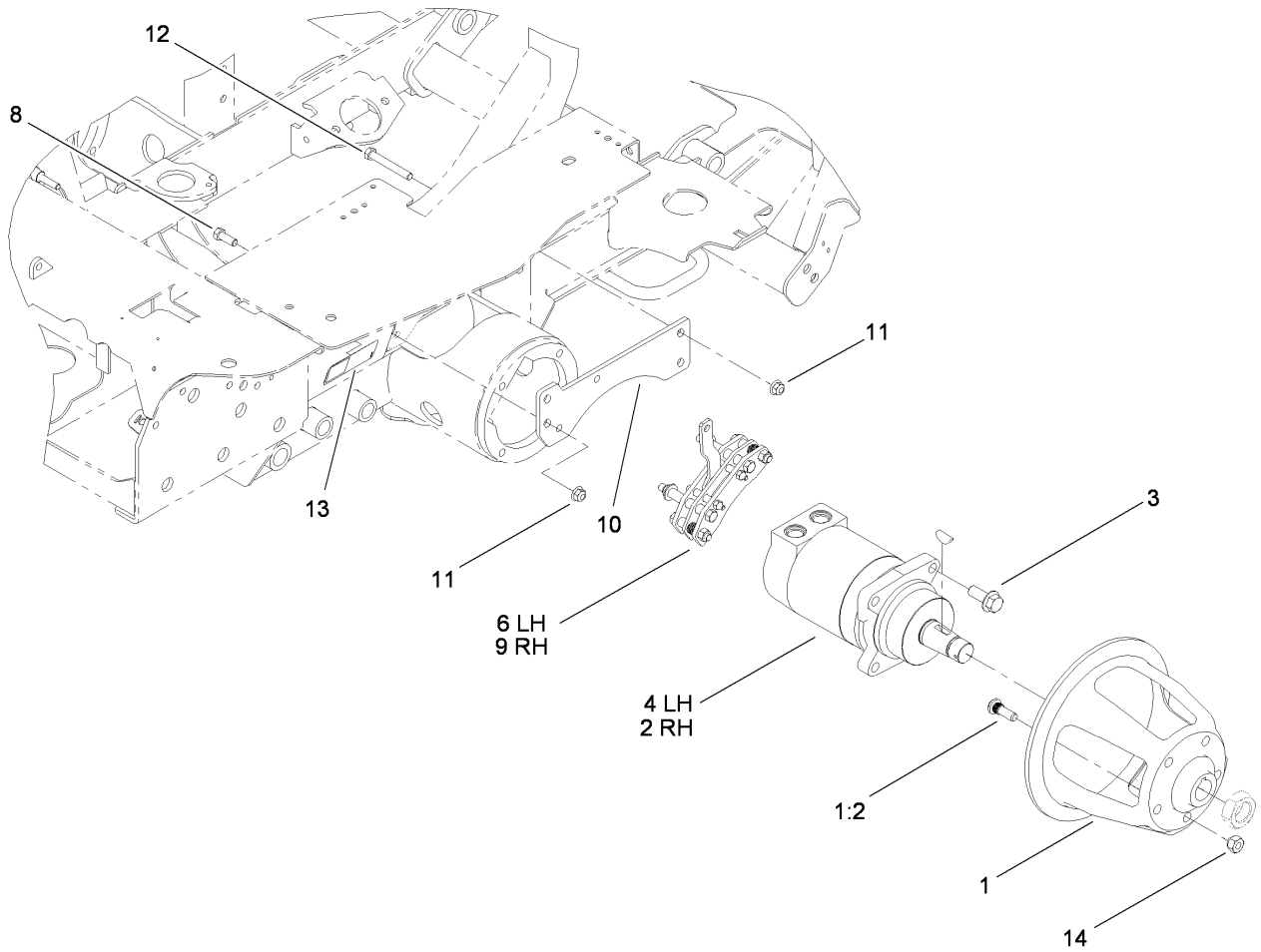
Ref	Part No.	Qty.	Description
25	99-7667	2	Washer-Flat



Driveshaft Assembly

Ref	Part No.	Qty.	Description
1	110-3575	1	Driveshaft
3	322-9	4	Screw-HH
4	32121-34	2	Pin-Roll
5	3296-29	4	Nut-Lock, NI
6	114-4088	1	Shield-Seal
7	33115-016	2	Screw-HH

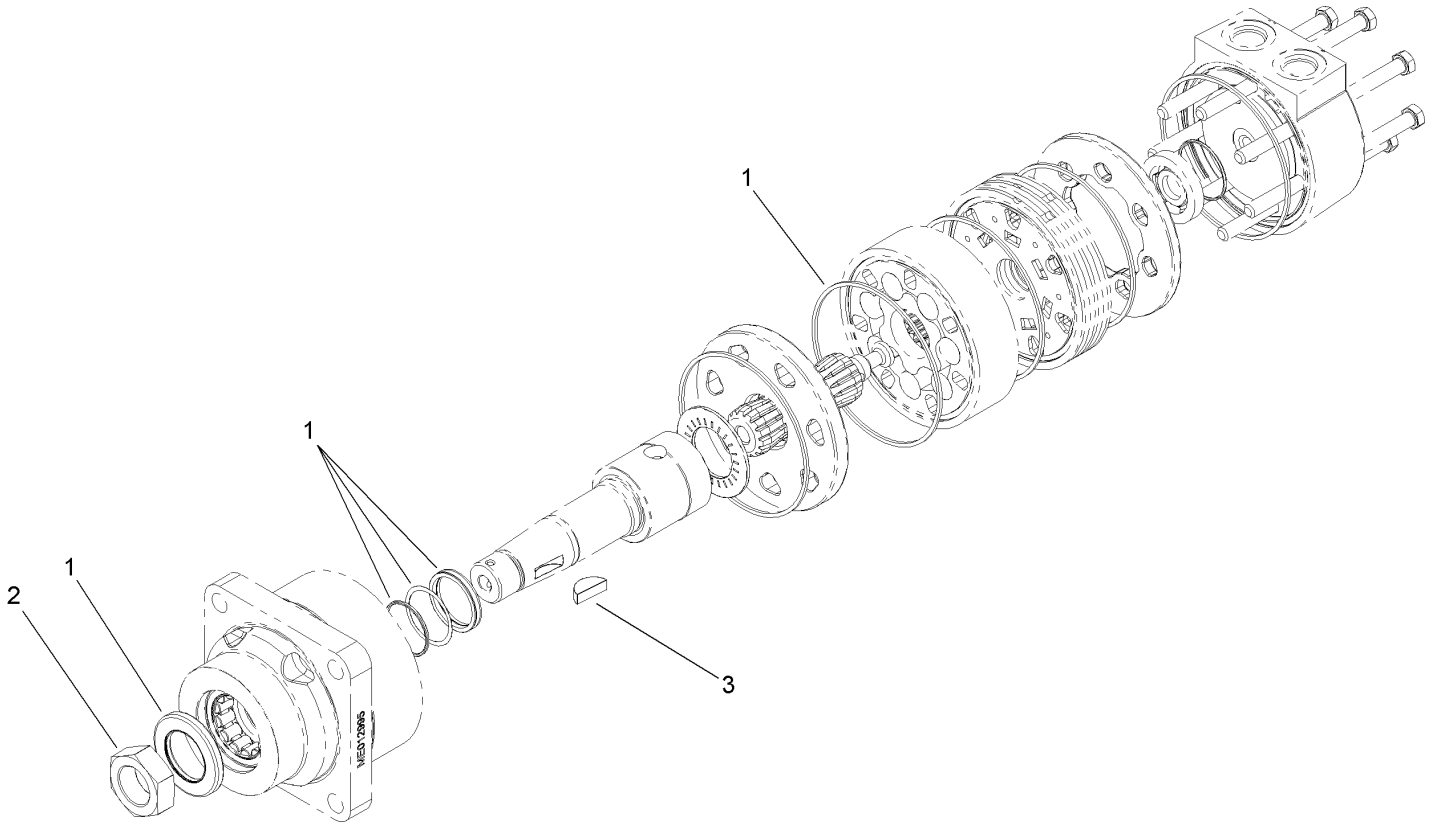
--	--	--	--



Rear Drive Assembly

Ref	Part No.	Qty.	Description
1	110-5535	2	Wheel Hub ASM
1:2	87-8730	5	Stud
2	108-5230	1	RH HYD Motor ASM
3	100-6116	8	Screw-HHF
4	108-5155	1	LH HYD Motor ASM
6	108-5151	1	Caliper-Brake, LH
8	323-6	4	Screw-HH
9	108-5150	1	Caliper-Brake, RH
10	112-9550-03	2	Bracket-Brake
11	104-8301	8	Nut-Flange, NI
12	323-14	4	Screw-HH
13	106-9206	2	Decal-Torque, Wheel
14	23-7270	10	Nut-Wheel

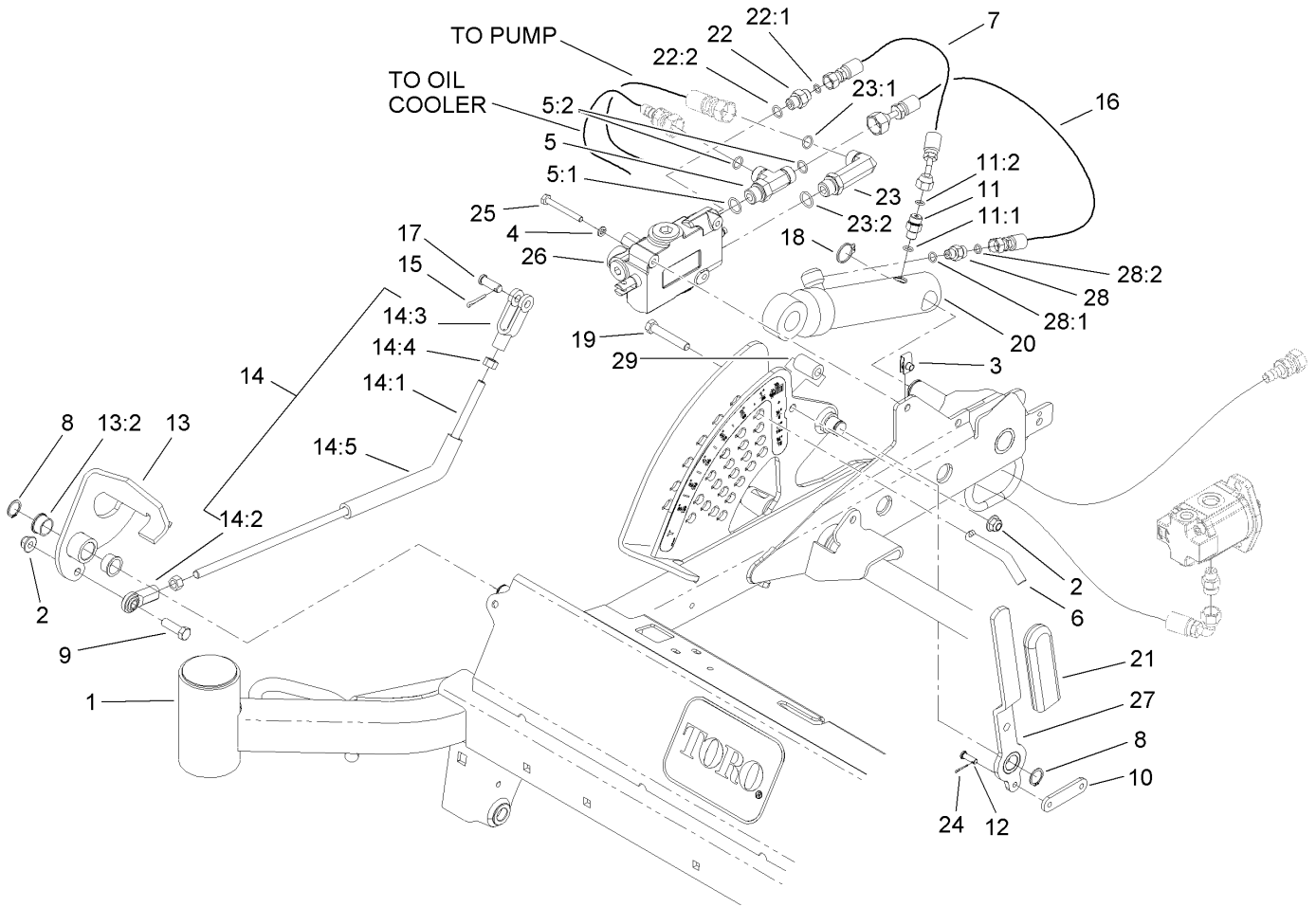
--	--	--	--



Hydraulic Motor Assembly No. 108-5155

Ref	Part No.	Qty.	Description
1	112-8405	1	Seal Kit
2	107-9319	1	Nut-Hex
3	3257-42	1	Key-Woodruff

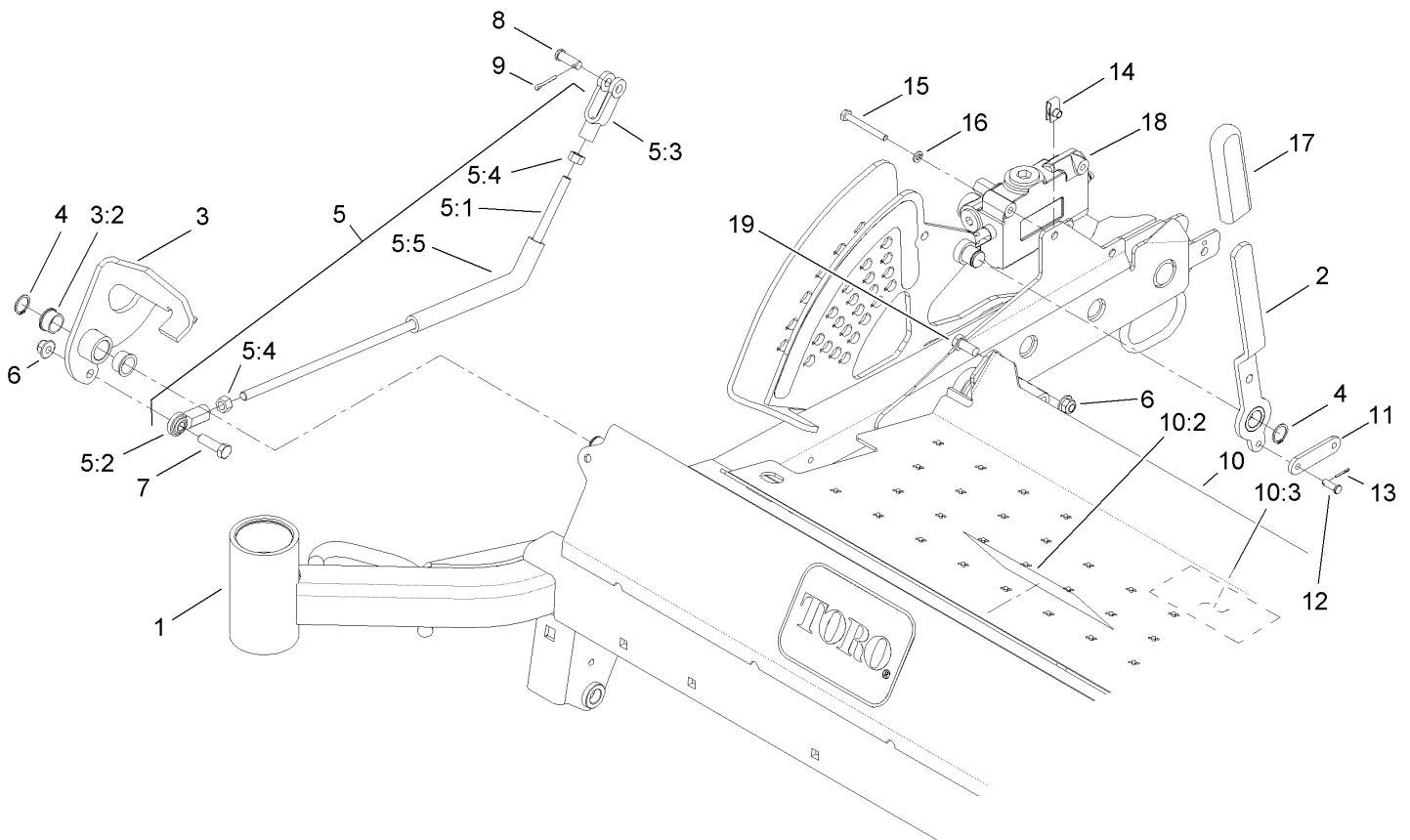
--	--	--	--



Carrier Frame and Valve Assembly

Ref	Part No.	Qty.	Description
1	114-4087	1	Carrier Frame Kit ASM
2	104-8301	2	Nut-Flange, NI
3	107069	2	Clip
4	3253-3	2	Washer-Lock
5	340-109	1	Fitting-HYD, Tee
5:1	237-79	1	O-Ring
5:2	237-30	2	O-Ring
6	112-9544	1	Pin-HOC
7	110-8966	1	Hose ASM
8	32120-72	2	Ring-Snap
9	323-7	1	Screw-HH
10	114-4042	1	Link
11	95-1639	1	Fitting-HYD
11:1	237-78	1	O-Ring
11:2	237-21	1	O-Ring
12	1-808265	2	Pin-Clevis
13	112-9534	1	Pedal ASM
13:2	256-252	2	Bearing-Flange
14	112-9539	1	Link ASM
14:1	112-9535	1	Rod-Threaded
14:2	103-0608	1	Joint-Ball, End
14:3	1-633131	1	Yoke-Linkage, Brake
14:4	3219-3	2	Nut-Hex
14:5	114-4041	1	Hose-Foam

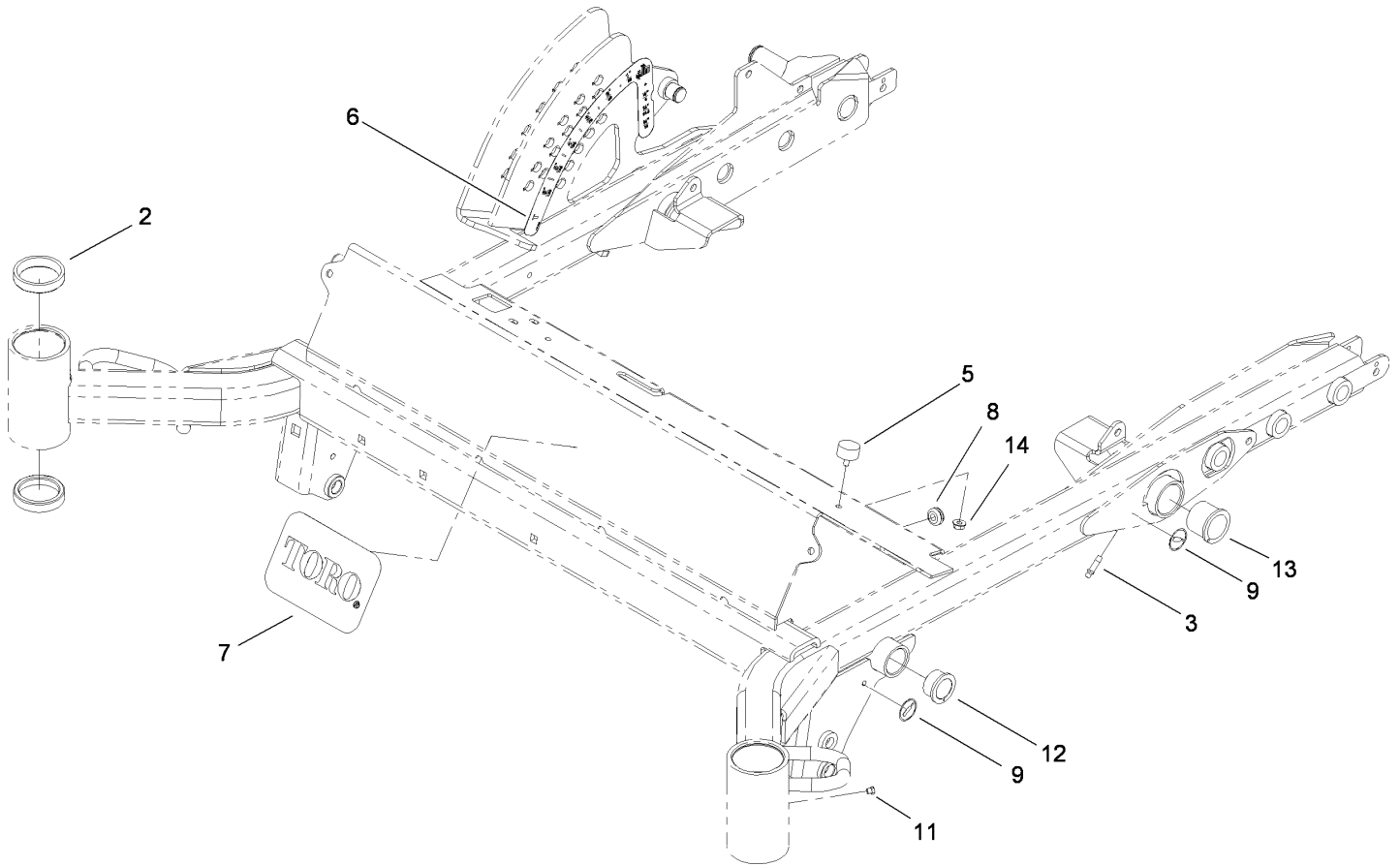
Ref	Part No.	Qty.	Description
15	3272-10	1	Pin-Cotter
16	112-6324	1	Hose ASM
17	283-2	1	Pin-Clevis
18	32151-36	1	Ring-Retaining
19	323-11	1	Screw-HH
20	110-9834	1	Cylinder-HYD
21	1-633268	1	Grip-Lever, Brake
22	340-1	1	Adapter
22:1	237-21	1	O-Ring
22:2	237-42	1	O-Ring
23	99-6160	1	Fitting-Elbow, 90 DEG
23:1	237-30	1	O-Ring
23:2	237-79	1	O-Ring
24	3272-1	2	Pin-Cotter
25	321-18	2	Screw-HH
26	114-2877	1	Valve ASM
27	114-4027-03	1	Lever ASM
28	340-92	1	Fitting-HYD, Straight
28:1	237-78	1	O-Ring
28:2	237-21	1	O-Ring
29	115-1425	1	Spacer



Carrier Frame Kit Assembly No. 114-4087

Ref	Part No.	Qty.	Description
1		1	Carrier Frame ASM
2	114-4027-03	1	Lever ASM
3	112-9534	1	Pedal ASM
3:2	256-252	2	Bearing-Flange
4	32120-72	2	Ring-Snap
5	112-9539	1	Link ASM
5:1	112-9535	1	Rod-Threaded
5:2	103-0608	1	Joint-Ball, End
5:3	1-633131	1	Yoke-Linkage, Brake
5:4	3219-3	2	Nut-Hex
5:5	114-4041	1	Hose-Foam
6	104-8301	3	Nut-Flange, NI
7	323-7	1	Screw-HH
8	283-2	1	Pin-Clevis
9	3272-10	1	Pin-Cotter
10	114-4048	1	Floor Plate ASM
10:2	107-1866	1	Decal-Danger, Slope
10:3	112-1461	1	Decal-Routing, Belt
11	114-4042	1	Link
12	1-808265	2	Pin-Clevis
13	3272-1	2	Pin-Cotter
14	107069	2	Clip
15	321-18	2	Screw-HH
16	3253-3	2	Washer-Lock

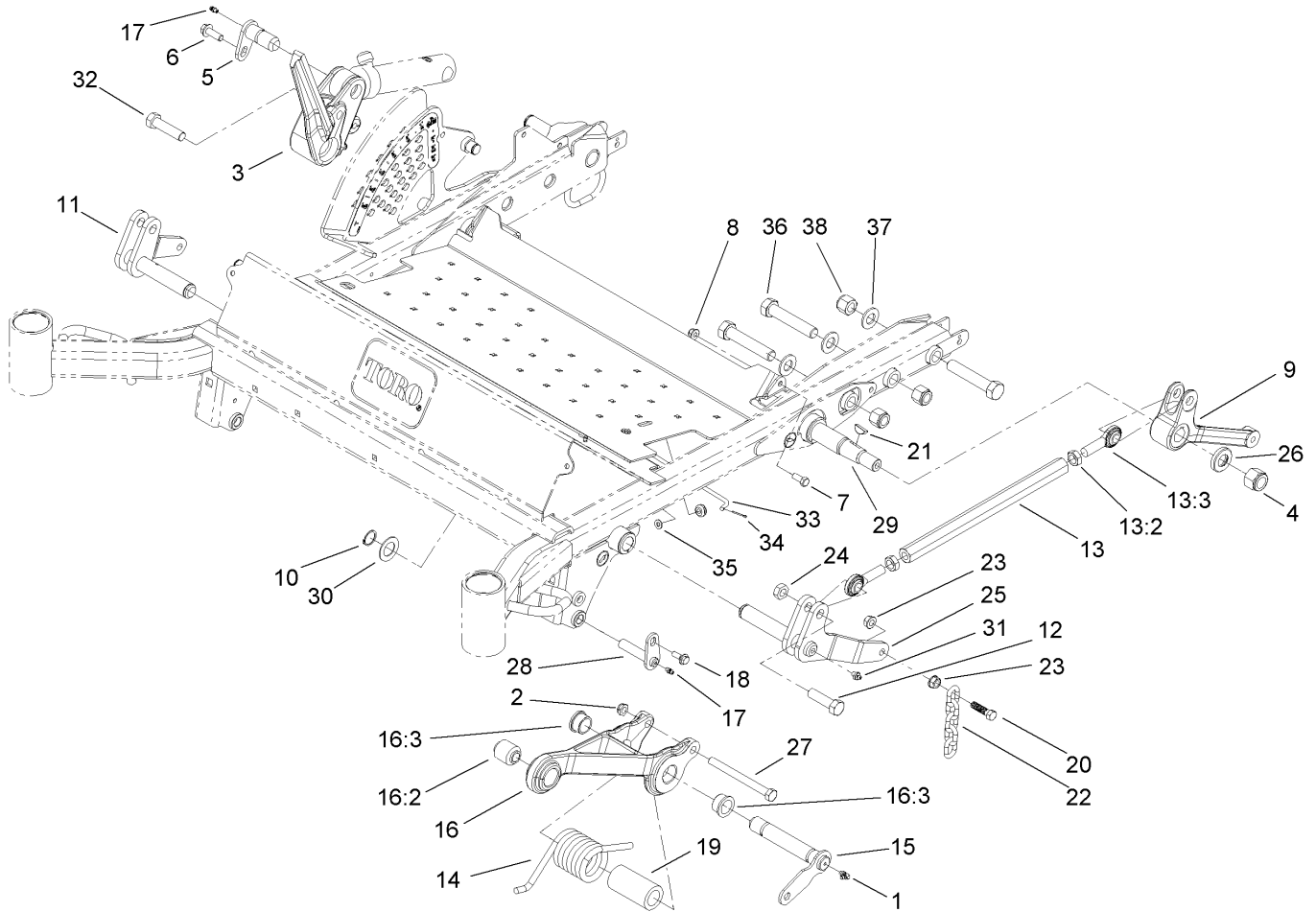
Ref	Part No.	Qty.	Description
17	1-633268	1	Grip-Lever, Brake
18	114-2877	1	Valve ASM
19	323-5	2	Screw-HH



Carrier Frame Assembly

Ref	Part No.	Qty.	Description
2	254-107	4	Cup-Bearing, Tapered
3	302-64	2	Fitting-Grease
5	240-14	4	Bumper-Rubber
6	112-1620	1	Decal-HOC
7	99-4693	1	Decal
8	237-141	1	Grommet-Rubber
9	58-6520	4	Decal-Grease
11	1-811010	2	Plug
12	94-7574	2	Bushing-Flanged
13	256-268	2	Bushing
14	104-7201	4	Nut-HF

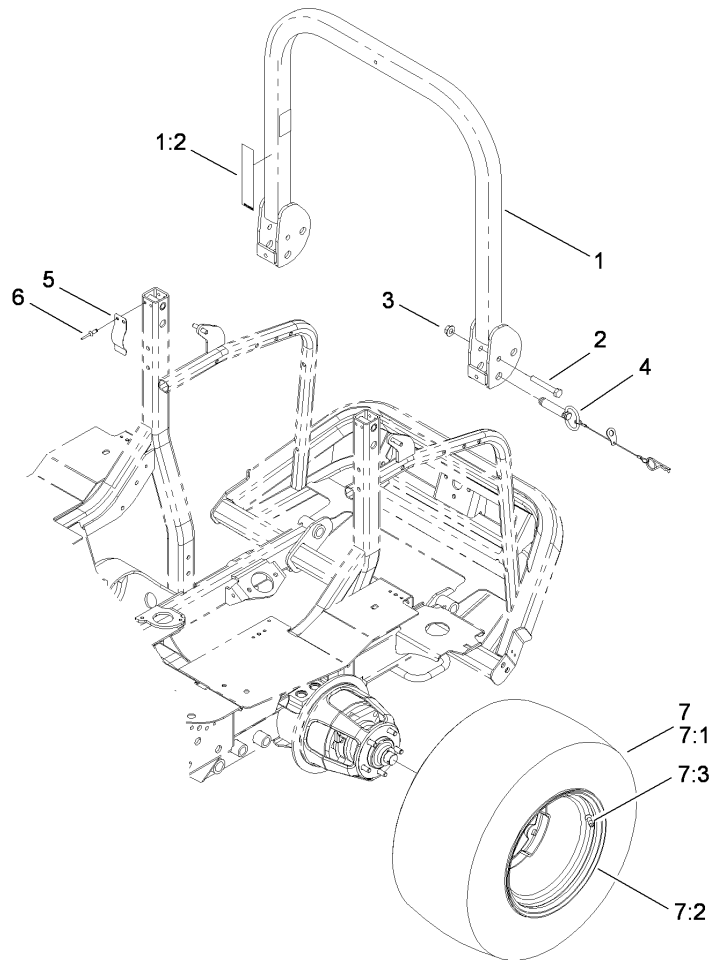
--	--	--	--



Deck Linkage Assembly

Ref	Part No.	Qty.	Description
1	302-60	4	Fitting-Grease, 90 DEG
2	3296-45	2	Nut-Lock, NI
3	112-1635-03	1	Arm-Lift, RH
4	94-8000	2	Nut-Hex
5	98-2654	1	Pivot Pin ASM
6	3234-15	1	Screw
7	323-5	2	Screw-HH
8	104-8301	2	Nut-Flange, NI
9	112-1637-03	1	Arm-Lift, LH
10	32151-29	2	Ring-Retaining
11	110-9820-03	1	RH Lift ASM
12	327-22	3	Screw-HH
13	114-4059	2	Link ASM
13:2	3220-6	2	Nut-Jam
13:3	1-633029	2	Balljoint-Spherical
14	110-9828	2	Spring-Torsion
15	112-1622	2	Pin
16	112-1625	2	Pull Link ASM
16:2	107-2328	1	Bushing
16:3	114-5680	2	Bushing-Flange
17	302-5	3	Fitting-Grease
18	32144-41	2	Screw-Taptite
19	110-9845	2	Spacer-Plain
20	103-1898	4	Screw-HH

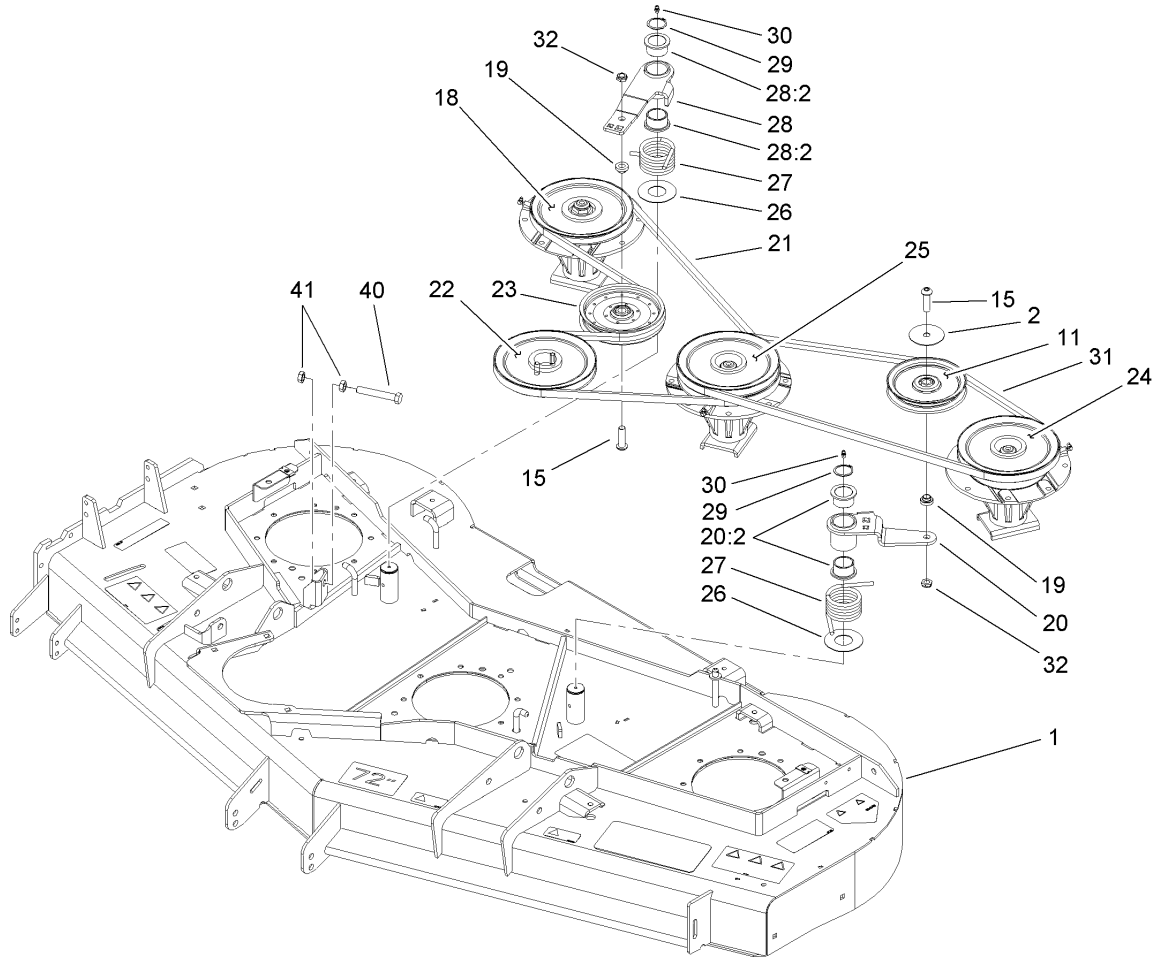
Ref	Part No.	Qty.	Description
21	3257-42	2	Key-Woodruff
22	1-633447	4	Chain-Lift, Deck
23	32128-37	6	Nut-HF
24	3296-61	3	Nut-Lock
25	110-9818-03	1	LH Lift ASM
26	112-9585	2	Washer-Hardened
27	325-22	2	Screw-HH
28	112-1602	2	Pin-Retainer
29	112-9522-03	1	Shaft-Lift, Deck
30	69-9010	2	Washer
31	302-2	2	Fitting-Grease
32	327-7	1	Screw-HH
33	110-9847	1	Rod-Prop
34	3272-6	1	Pin-Cotter
35	3256-22	1	Washer-Flat
36	328-7	5	Screw-HH
37	92-5836	5	Washer
38	3296-51	5	Nut-Lock, NI



Roll-Over Protection System and Rear Wheel Assembly

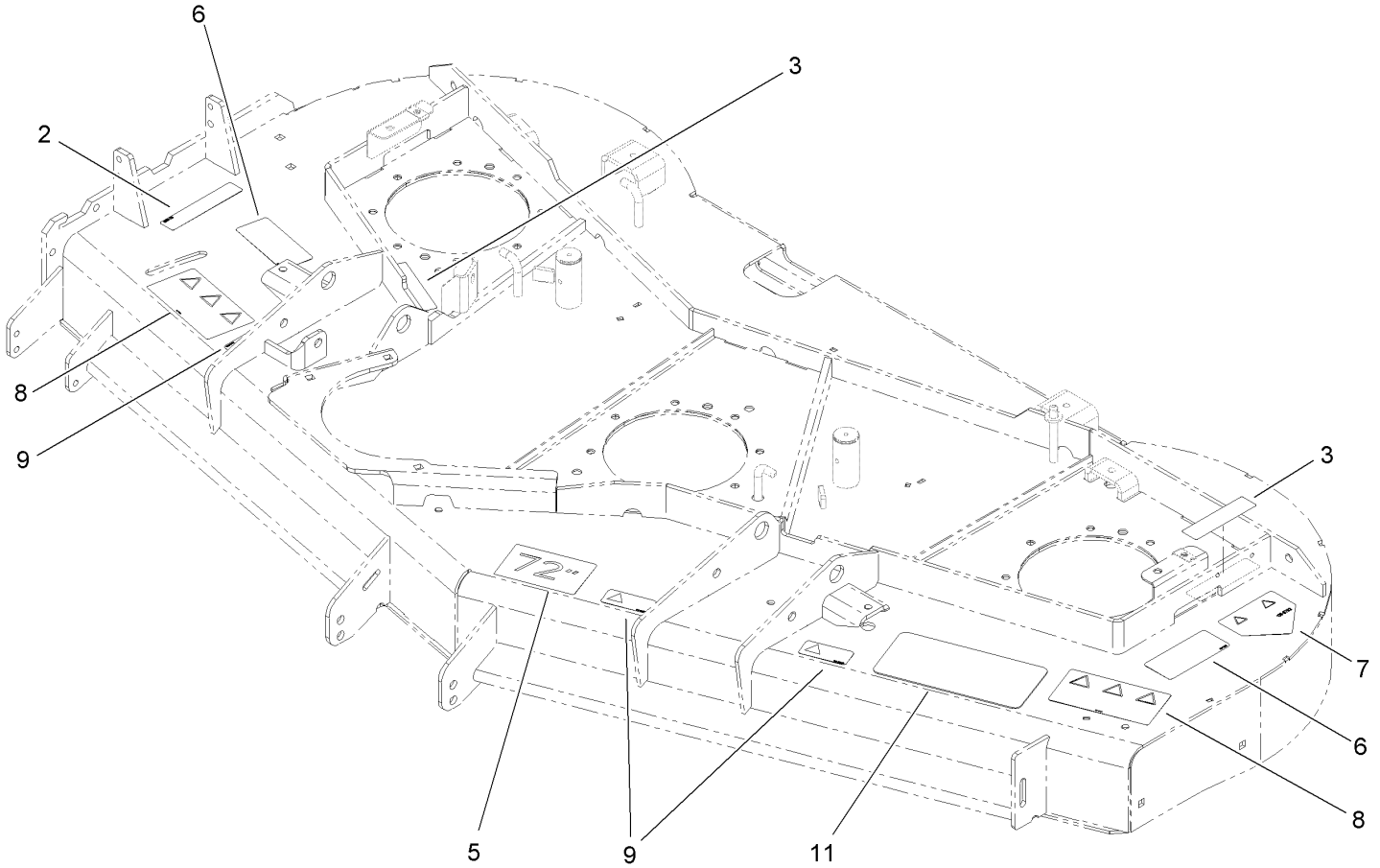
Ref	Part No.	Qty.	Description
1	110-9770	1	Upper ROPS ASM
1:2	107-3069	1	Decal-Warning, Folding ROPS (Ce)
2	325-13	2	Screw-HH
3	32128-23	2	Nut-HF
4	103-4553	2	ROPS Fold Pin ASM
5	110-5696	2	Spring-Leaf
6	3290-412	4	Rivet
7	106-7864	2	Tire And Wheel ASM
7:1	106-7868	1	Tire
7:2	87-6750	1	Wheel
7:3	232-27	1	Stem-Valve

--	--	--	--



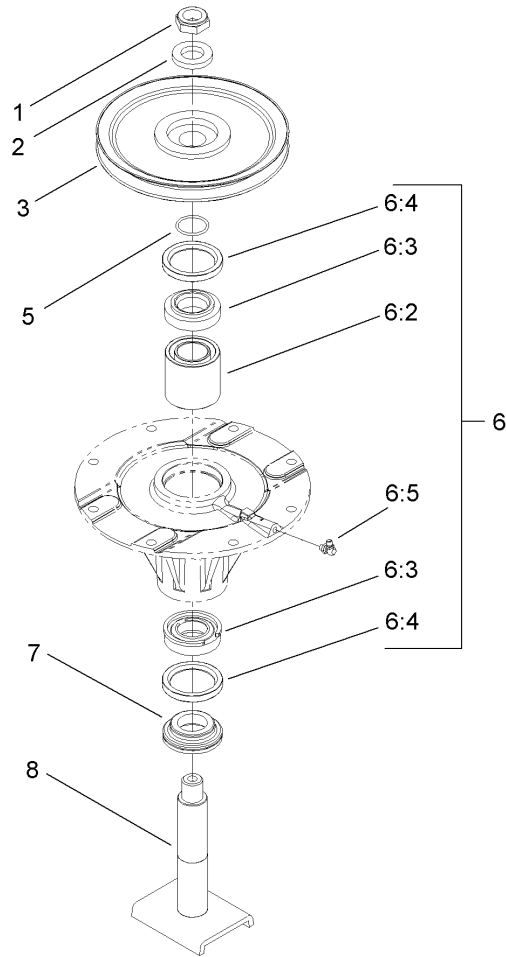
Belt and Pulley Assembly

Ref	Part No.	Qty.	Description				
1	108-9901	1	Deck ASM				
2	100-3102	1	Washer-Flat				
11	01-268-0160	1	Pulley-Idler				
15	108-1993	2	Screw-HSBH				
18	108-1957	1	Spindle ASM				
19	108-1924	2	Spacer-Idler				
20	110-3564	1	Idler Arm ASM				
20:2	93-4510	2	Bushing-Caster				
21	110-9590	1	Belt-V				
22	107-4767	1	Pulley ASM				
23	110-9596	1	Pulley-Idler				
24	110-6382	1	High Spindle ASM				
25	110-6381	1	Double Spindle ASM				
26	108-1926	2	Washer				
27	108-1921	2	Spring-Torsion				
28	108-1930	1	Idler Arm ASM				
28:2	93-4510	2	Bushing-Caster				
29	32120-84	2	Ring-Snap, External				
30	302-5	2	Fitting-Grease				
31	110-9591	1	Belt-V				
32	3296-45	2	Nut-Lock, NI				
40	325-14	1	Screw-HH				
41	3218-5	2	Nut-Jam				



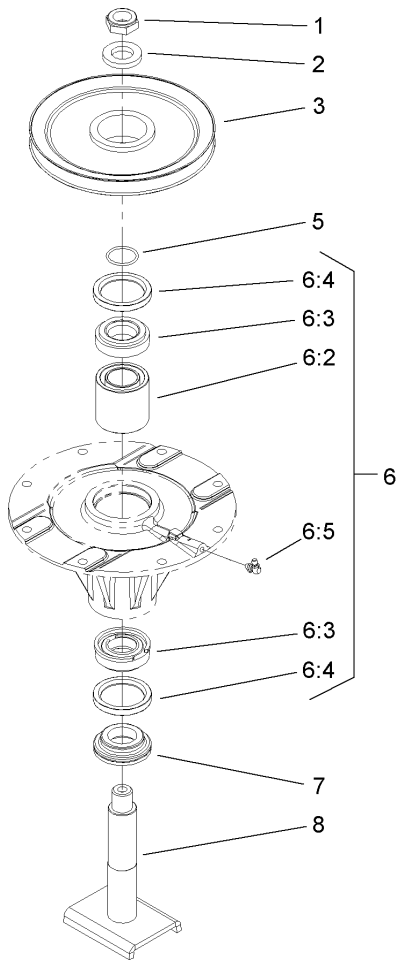
Deck Decal Assembly No. 108-9901

Ref	Part No.	Qty.	Description
2	107-2916	1	Decal-Warning
3	100-6578	2	Decal-Danger
5	57-0280	1	Decal
6	93-7818	2	Decal-Torque, Blade Bolt
7	106-6753	1	Decal-Danger, Ce
8	107-2908	2	Decal-Danger, Combination
9	93-6696	3	Decal-Warning
11	110-0988	1	Tread-Floor, Side



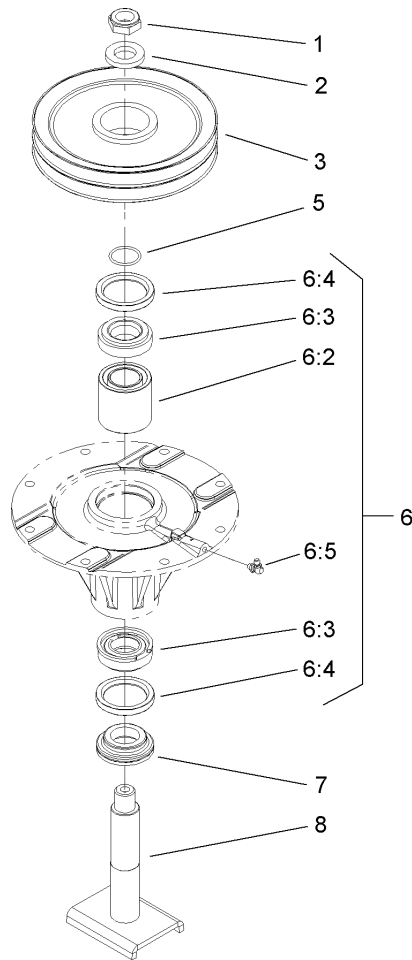
Spindle Assembly No. 108-1957

Ref	Part No.	Qty.	Description
1	3296-60	1	Nut-Lock, NI
2	104-8322	1	Washer-Hardened
3	104-3546	1	Pulley-Driven, Low
5	106-7159	1	O-Ring
6	108-1991	1	Spindle Housing ASM
6:2	108-1954	1	Spacer Set-Bearing
6:3	110-8297	1	Bearing ASM
6:4	253-154	2	Seal-Oil
6:5	302-60	1	Fitting-Grease, 90 DEG
7	69-6950	1	Spacer-Shaft, Spindle
8	108-1956	1	Shaft ASM



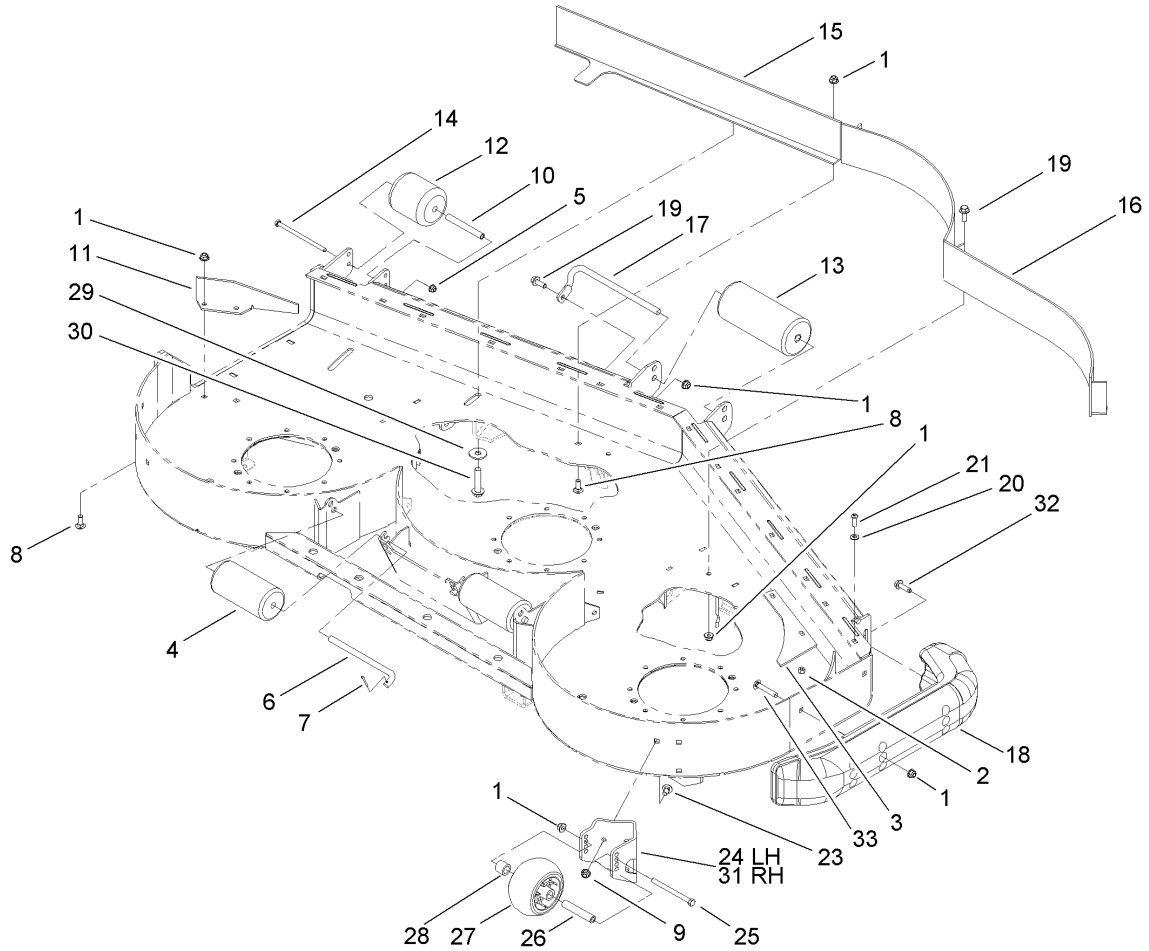
Spindle Assembly No. 110-6382

Ref	Part No.	Qty.	Description	
1	3296-60	1	Nut-Lock, NI	
2	104-8322	1	Washer-Hardened	
3	104-3548	1	Pulley-Driven, High	
5	106-7159	1	O-Ring	
6	108-1991	1	Spindle Housing ASM	
6:2	108-1954	1	Spacer Set-Bearing	
6:3	110-8297	1	Bearing ASM	
6:4	253-154	2	Seal-Oil	
6:5	302-60	1	Fitting-Grease, 90 DEG	
7	69-6950	1	Spacer-Shaft, Spindle	
8	108-1956	1	Shaft ASM	



Spindle Assembly No. 110-6381

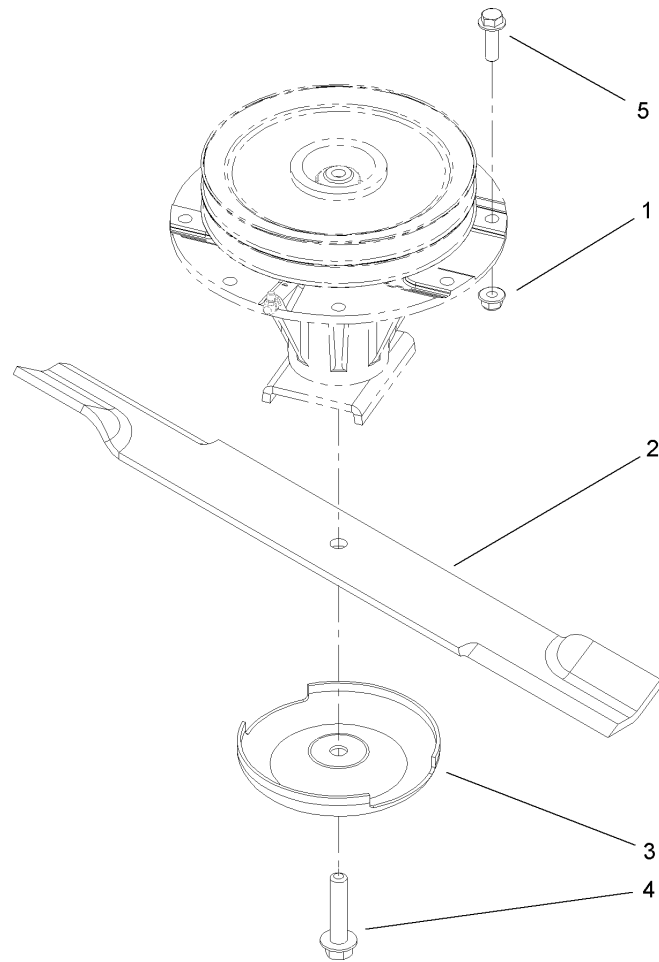
Ref	Part No.	Qty.	Description				
1	3296-60	1	Nut-Lock, NI				
2	104-8322	1	Washer-Hardened				
3	104-3547	1	Pulley-Driven, Double				
5	106-7159	1	O-Ring				
6	108-1991	1	Spindle Housing ASM				
6:2	108-1954	1	Spacer Set-Bearing				
6:3	110-8297	1	Bearing ASM				
6:4	253-154	2	Seal-Oil				
6:5	302-60	1	Fitting-Grease, 90 DEG				
7	69-6950	1	Spacer-Shaft, Spindle				
8	108-1956	1	Shaft ASM				



Roller and Baffle Assembly

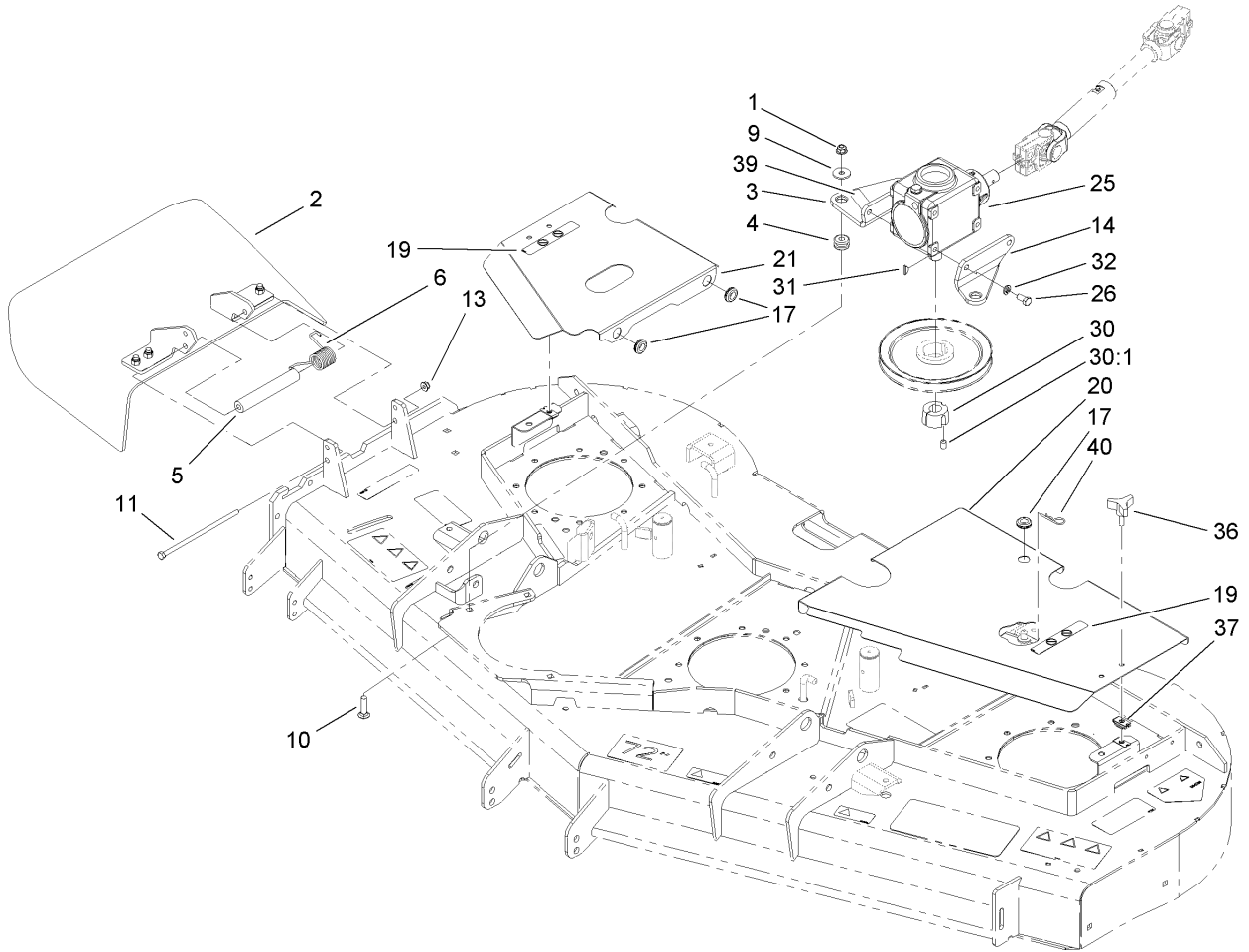
Ref	Part No.	Qty.	Description
1	104-8301	11	Nut-Flange, NI
2	3296-29	2	Nut-Lock, NI
3	107-3138	1	Plate-Turbo
4	36-1740	2	Roller-Deck
5	104-8300	1	Nut-Flange, NI
6	40-0340	2	Shaft-Roller, Rear
7	3272-11	2	Pin-Cotter
8	3231-2	3	Screw-CARR
9	3290-357	6	Nut-HHF, Whiz
10	105-4549	1	Spacer-Roller
11	106-3216-01	1	Baffle-Discharge
12	93-4803	1	Roller-Deck
13	68-6710	1	Roller
14	322-49	1	Bolt-HH
15	105-7669-01	1	Baffle ASM
16	105-7730-01	1	Baffle ASM
17	68-6840	1	Shaft-Roller
18	112-1479	1	Skid-Bumper, Deck
19	3234-42	4	Screw-HHF
20	1-303334	2	Washer-Spring
21	3274-104	2	Screw-HSBH
23	3231-1	6	Screw-CARR
24	106-7354-01	1	Mount-Wheel, LH
25	323-23	2	Screw-HH

Ref	Part No.	Qty.	Description
26	98-7912	2	Tube-Spanner
27	1-603299	2	Roller-Scalp, Anti
28	98-7913	2	Tube-Spacer
29	105-7697	2	Washer-Plastic
30	3234-46	2	Screw-HHF
31	106-7355-01	1	Plate-Roller, RH
32	9136144	1	Screw-HWHTF
33	3231-33	2	Screw-CARR



Spindle and Blade Assembly

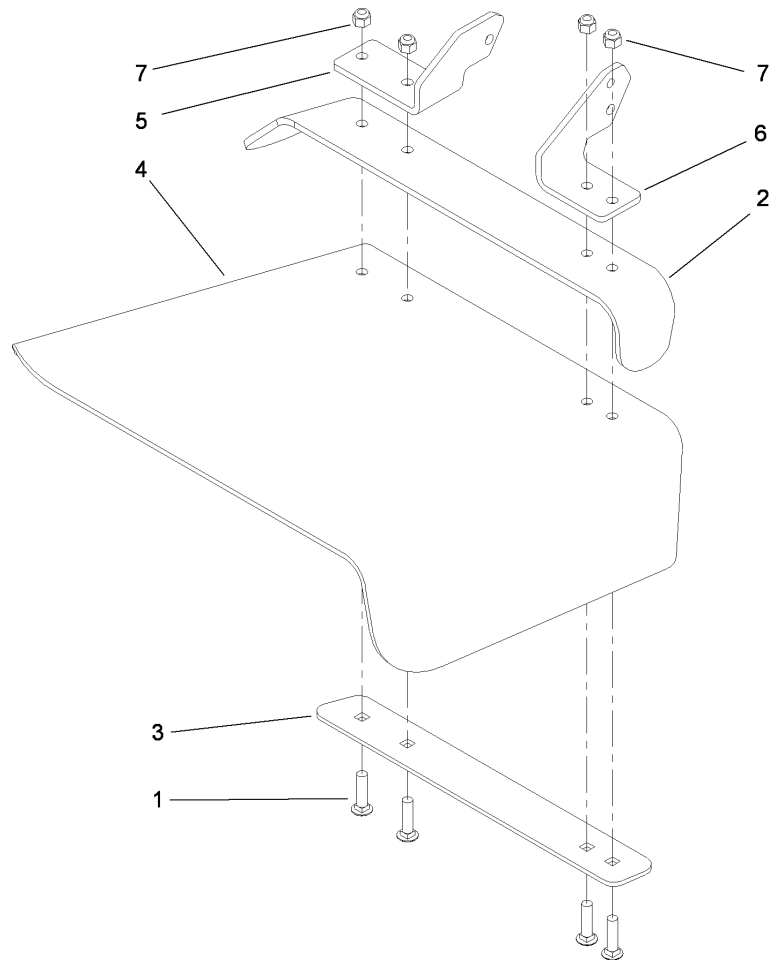
Ref	Part No.	Qty.	Description				
1	104-8301	24	Nut-Flange, NI				
③2	110-0624-03	3	Blade-Rotary, Atomic (24.5)				
③2	110-0622-03	3	Blade-Rotary, High Flow (24.5)				
2	110-0621-03	3	Blade-Rotary, Med. Flow (24.5)				
3	72-9361	3	Cup-Scalp, Anti				
4	92-5816	3	Bolt-Blade				
5	3234-24	24	Screw-HHF				



Belt Cover, Gearbox and Baffle Assembly

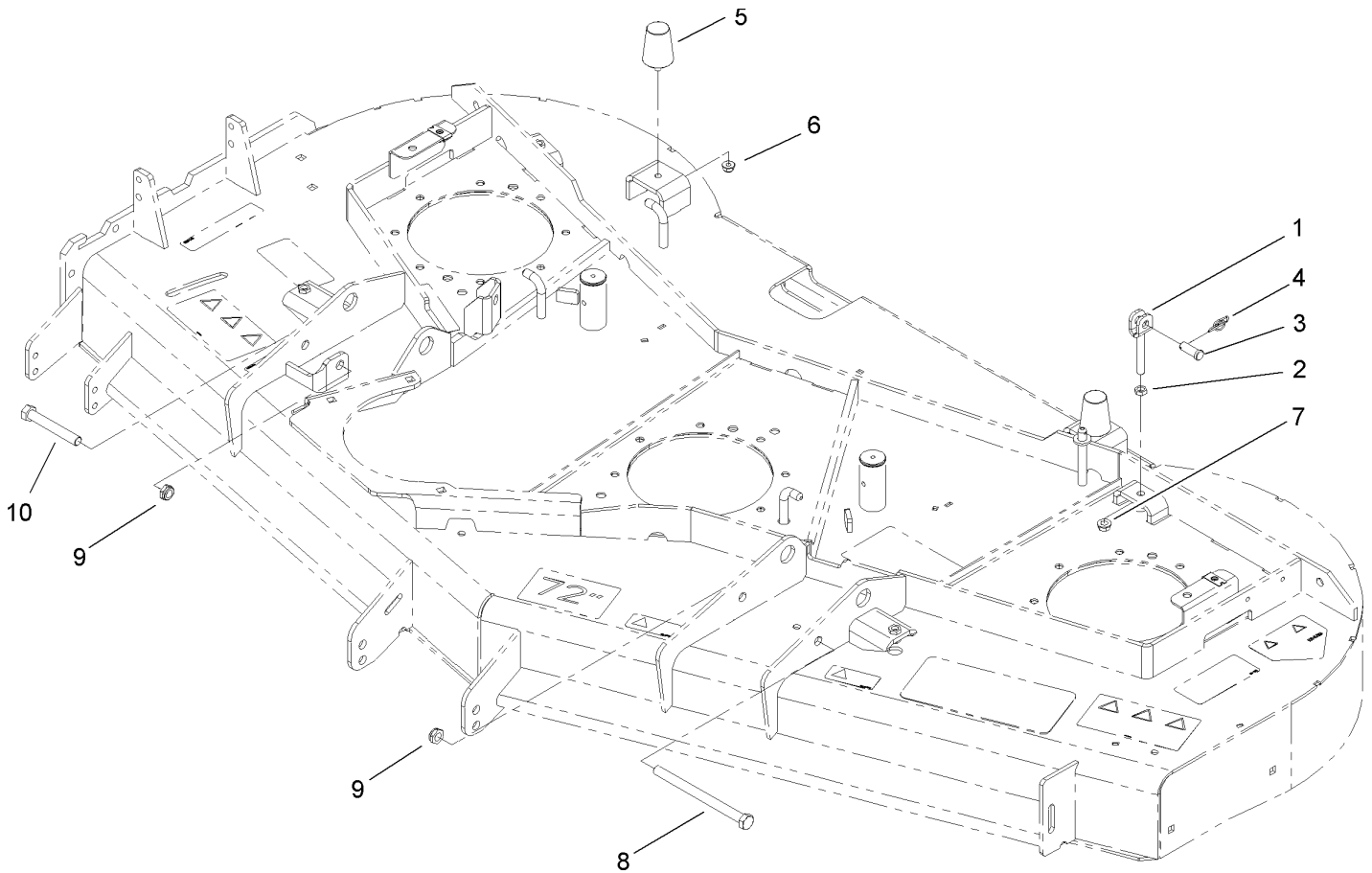
Ref	Part No.	Qty.	Description
1	104-8301	3	Nut-Flange, NI
2	108-2792	1	Rubber Deflector ASM
3	110-6385-03	1	Bracket-Gearbox, RH
4	63-9750	3	Mount
5	105-4622	1	Spacer
6	108-4052	1	Spring-Torsion
9	63-8410	3	Washer
10	3231-26	3	Screw-CARR
11	112-9557	1	Screw-HH
13	104-8300	1	Nut-Flange, NI
14	110-6384-03	1	Bracket-Gearbox, LH
17	112-9559	4	Grommet
19	93-6687	2	Decal-No Step
20	112-1455-03	1	Cover-Deck, LH
21	112-1456-03	1	Cover-Deck, RH
25	110-6386-03	1	Gearbox
26	323-4	4	Screw-HH
30	23-1640	1	Bushing-Taperlock
30:1	3247-4	2	Screw-Set
31	3257-5	1	Key-Woodruff
32	3253-21	4	Washer-Lock
36	106-2240	2	Knob
37	110-3510	2	Nut-Retainer
39	93-6697	1	Decal-Lube

Ref	Part No.	Qty.	Description
40	9335054	1	Pin-Hair



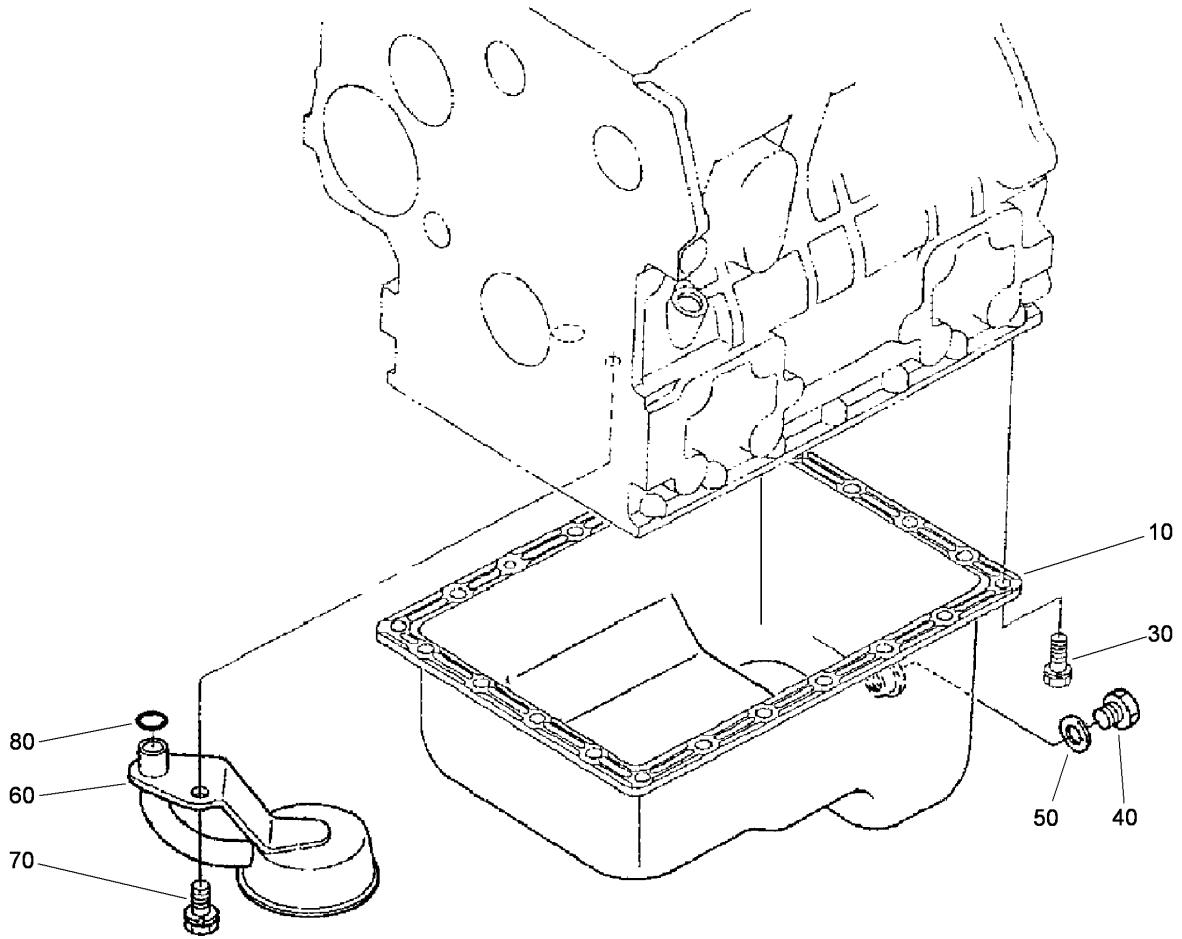
Rubber Deflector Assembly No. 108-2792

Ref	Part No.	Qty.	Description				
1	3231-4	4	Screw-CARR				
2	106-3246-01	1	Deflector				
3	106-3248-03	1	Strap-Discharge				
4	108-5029	1	Deflector-Rubber				
5	108-4059-01	1	Plate-Hinge, Rear				
6	106-3253-01	1	Plate-Hinge, Front				
7	3296-39	4	Nut-Lock, NI				



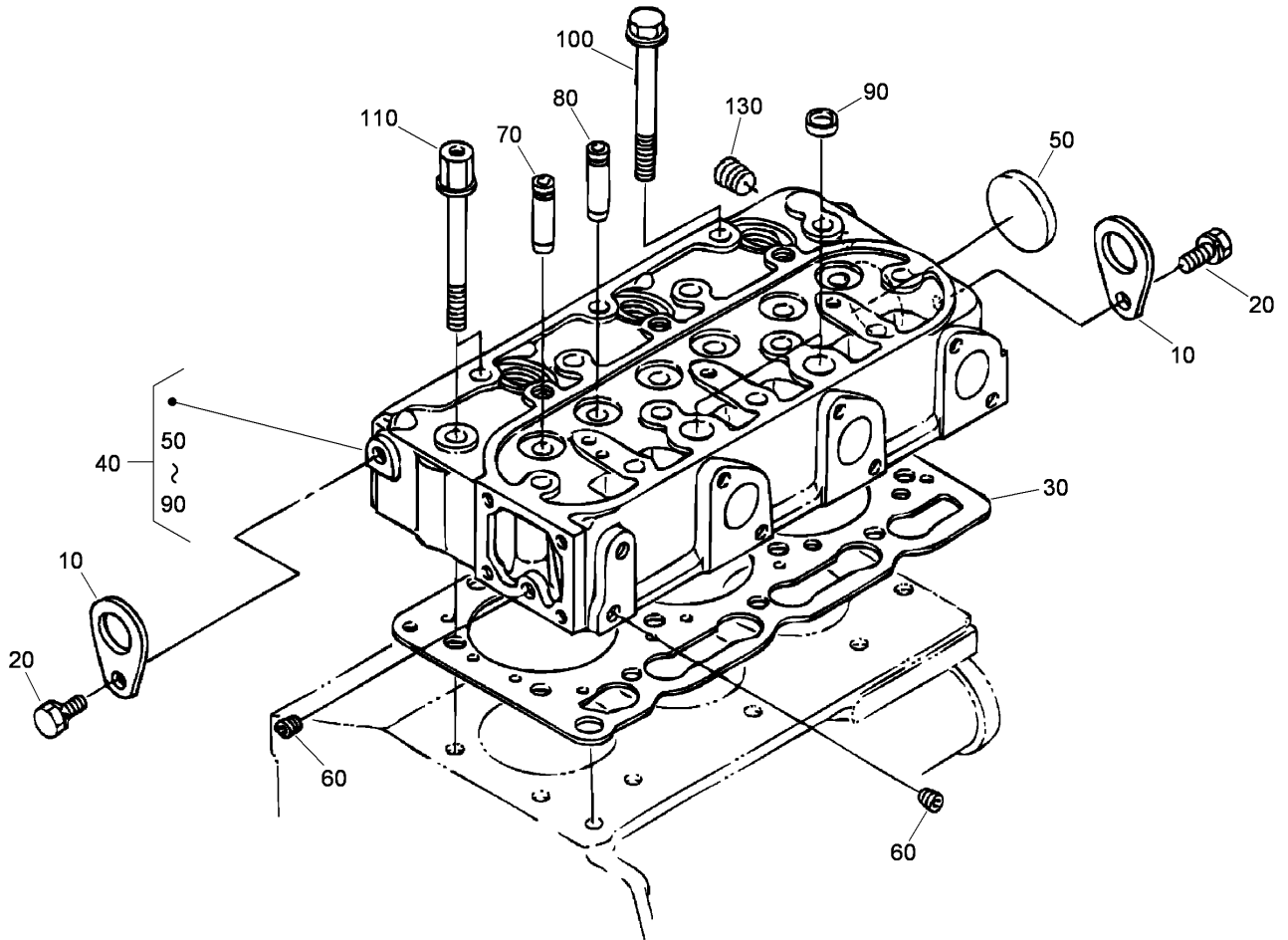
Adjustment Link and Bumper Assembly

Ref	Part No.	Qty.	Description	
1	112-1485	4	Clevis-Adjustment	
2	3218-3	4	Nut-Jam	
3	700601	4	Pin-Clevis	
4	112-1491	4	Pin-Rue Ring	
5	110-5070	2	Bumper-Neoprene	
6	104-8300	2	Nut-Flange, NI	
7	3290-357	4	Nut-HHF, Whiz	
8	325-23	1	Screw-HH	
9	3296-45	2	Nut-Lock, NI	
10	325-14	1	Screw-HH	



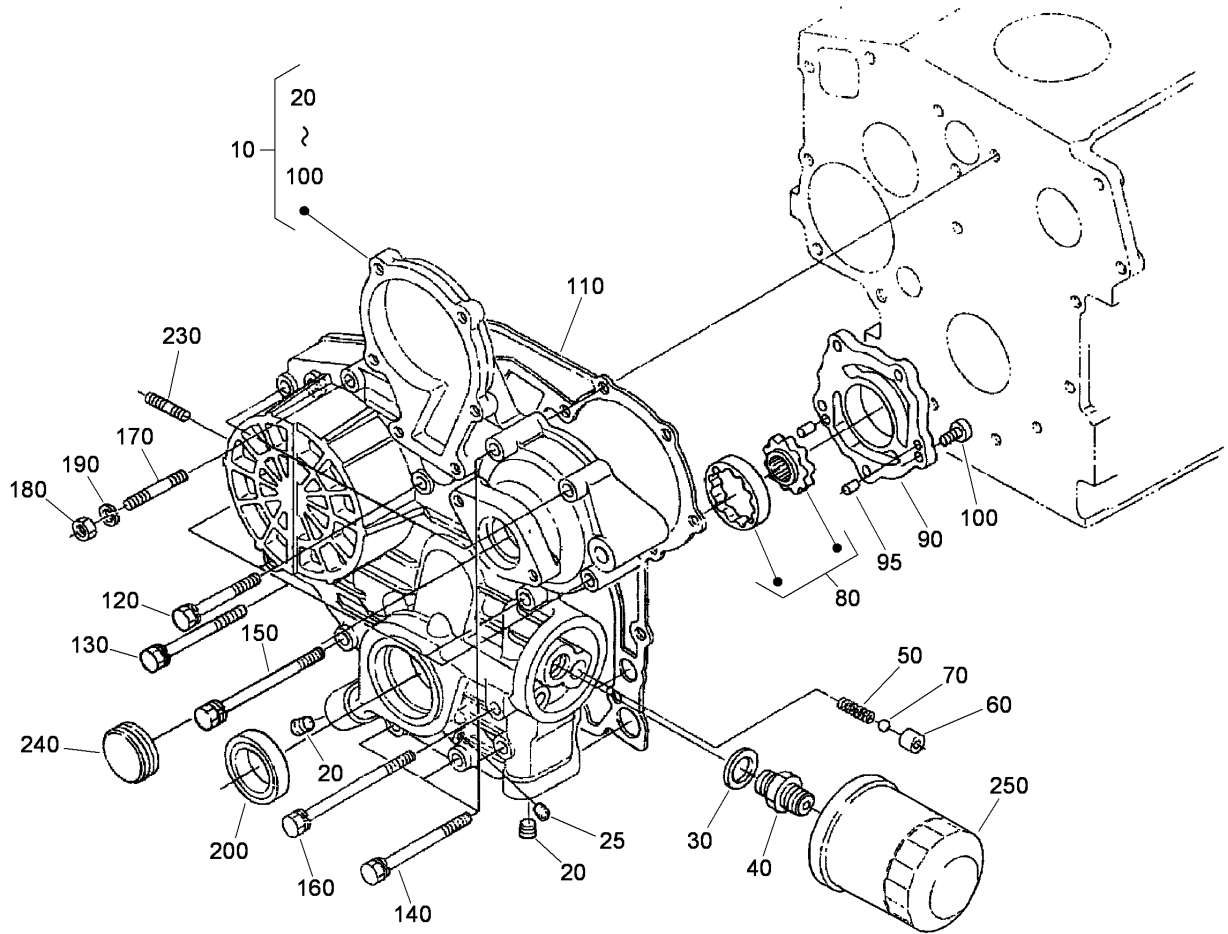
Oil Pan Assembly

Ref	Part No.	Qty.	Description
10	112-0179	1	Pan-Oil
30	107-9065	22	Bolt
40	108-6572	1	Plug-Drain
50	98-7524	1	Gasket
60	108-1401	1	Base-Filter
70	98-7526	1	Bolt
80	105-3776	1	O-Ring



Cylinder Head Assembly

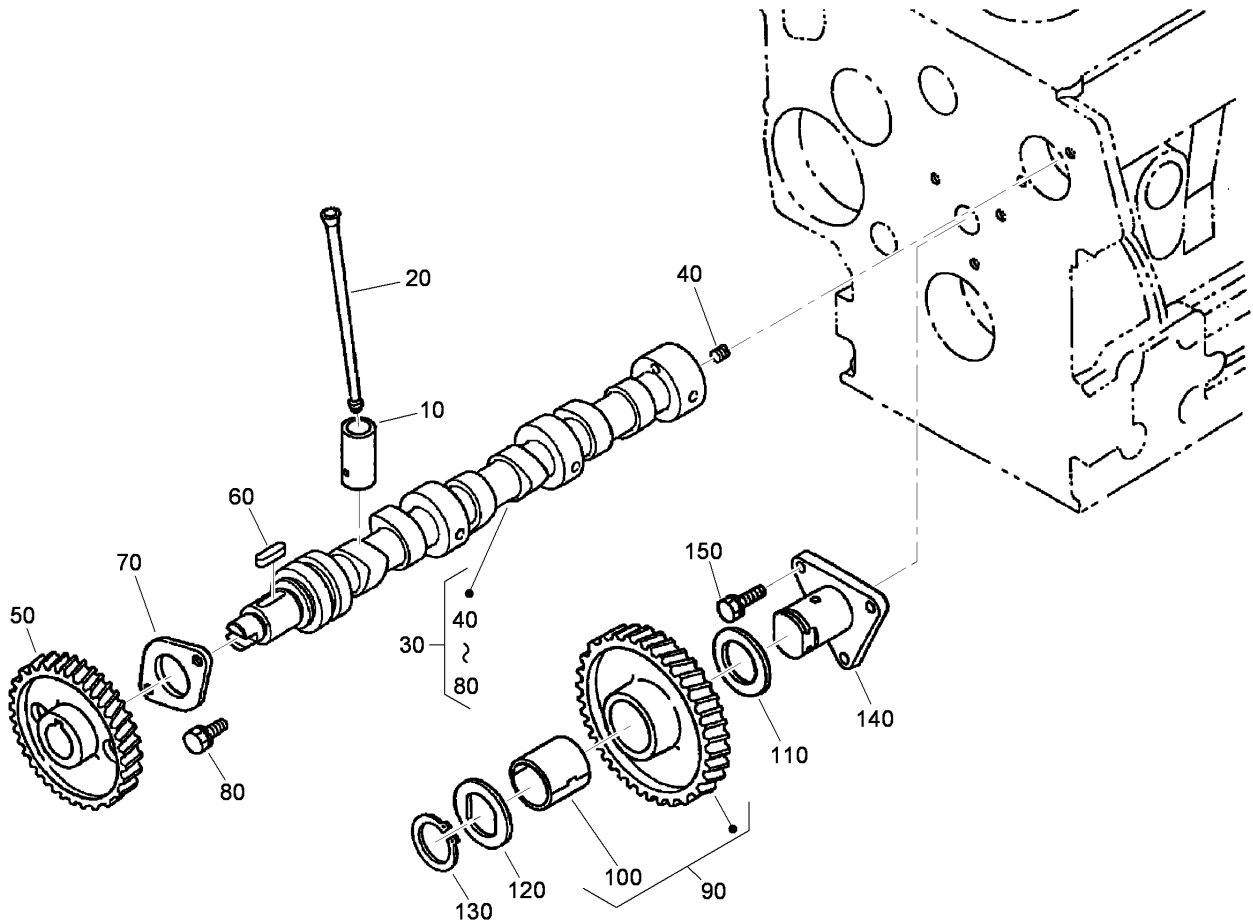
Ref	Part No.	Qty.	Description
10	98-7531	2	Hook-Engine
20	100-9195	2	Bolt
30	108-6573	1	Gasket-Head, Cylinder
40	108-6574	1	*obs* Cylinder Head ASM
50	105-3705	1	Cap-Sealing
60	98-7540	2	Plug
70	107-9066	3	Guide-Valve, Inlet
80	107-9067	3	Guide-Valve, Exhaust
90	98-9389	2	Cap-Sealing
100	98-9479	1	Bolt-Head, Cylinder
110	98-9647	2	Bolt-Head, Cylinder
130	98-9444	1	Plug



Gear Case Assembly

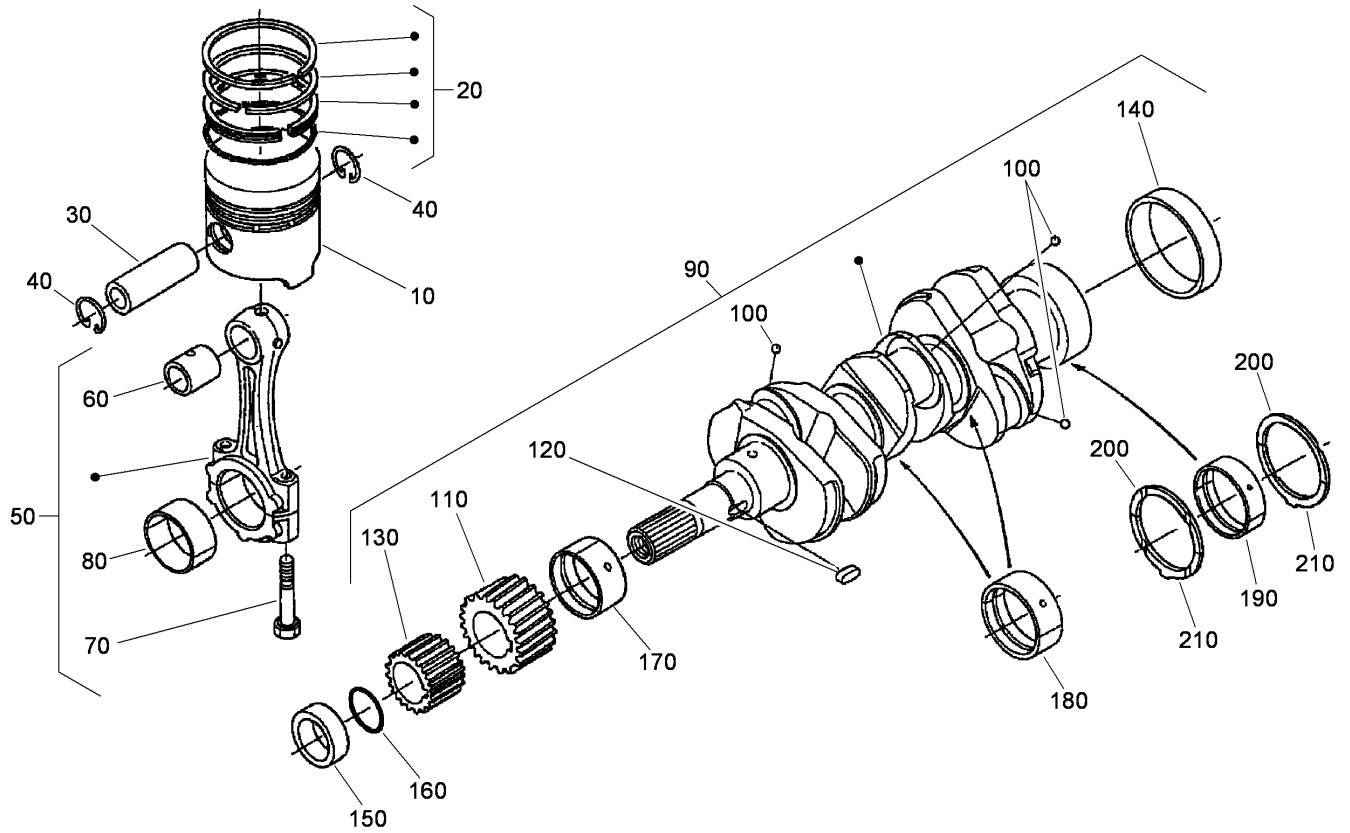
Ref	Part No.	Qty.	Description
10	107-9068	1	Gear Case ASM
20	98-9598	2	Plug
25	98-7487	1	Plug
30	98-7562	1	Washer-Plain
40	98-9388	1	Joint-Pipe
50	98-9544	1	Spring
60	98-9543	1	Seat-Valve
70	98-9380	1	Ball
80	98-9540	1	Oil Pump Rotor ASM
90	107-9069	1	Cover-Pump, Oil
95	107-9072	2	Pin-Straight
100	107-9071	5	Screw
110	98-9633	1	Gasket-Case, Gear
120	107-9073	3	Bolt
130	105-3797	4	Bolt
140	98-9356	2	Bolt
150	107-9074	1	Bolt
160	98-9586	2	Bolt
170	105-3709	1	Stud
180	98-7572	1	Nut
190	98-7699	1	Washer-Spring
200	98-9482	1	Seal-Oil
230	105-3710	2	Stud
240	98-9641	1	Cover-Case, Gear

Ref	Part No.	Qty.	Description
250	108-3841	1	Filter-Oil



Camshaft and Idle Gear Shaft Assembly

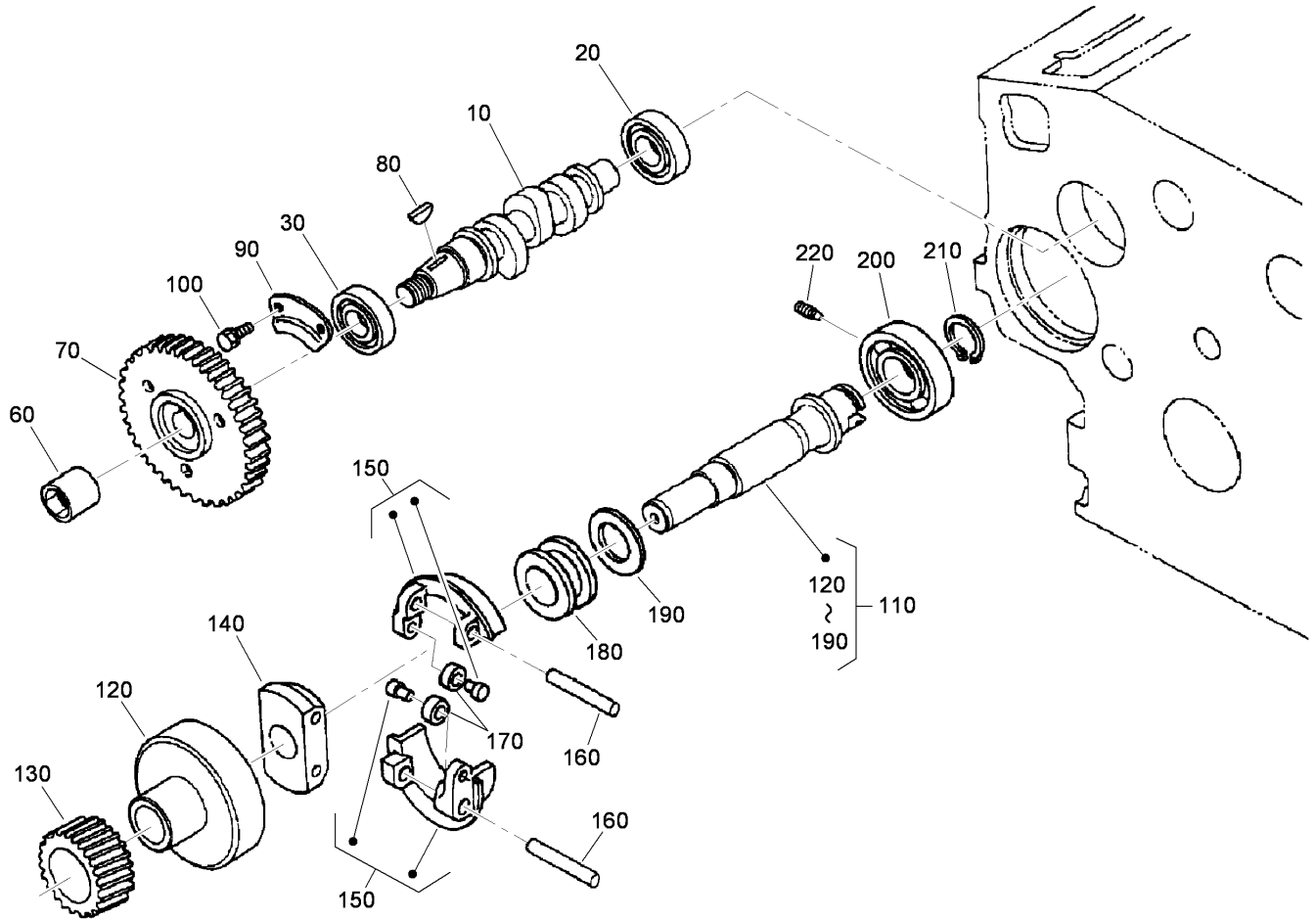
Ref	Part No.	Qty.	Description
10	112-0185	6	Tappet
20	98-9509	6	Rod-Push
30	108-6576	1	Camshaft ASM
40	98-7449	1	Screw-Set
50	98-9512	1	Gear-Cam
60	98-9378	1	Key-Feather
70	98-9510	1	Stopper-Camshaft
80	98-7692	2	Bolt
90	98-9649	1	Idle Gear ASM
100	98-9650	1	Bushing-Gear, Idle
110	98-9535	1	Collar-Gear, Idle
120	98-9536	1	Collar-Gear, Idle
130	98-9534	1	Circlip-Gear, Idle
140	98-9533	1	Shaft-Gear, Idle
150	98-7692	3	Bolt



Piston and Crankshaft Assembly

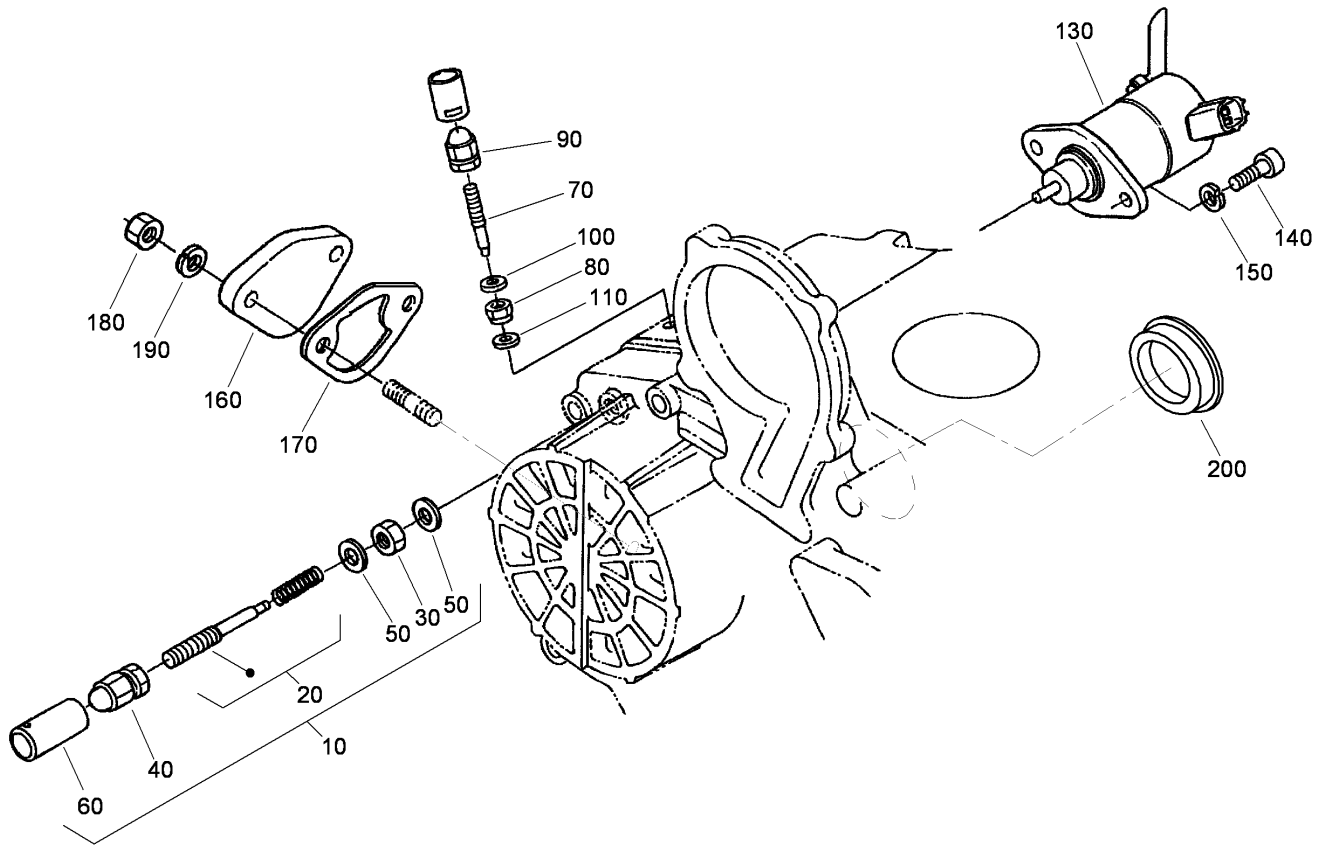
Ref	Part No.	Qty.	Description
10	112-8415	3	Piston ASM
10	112-8404	3	Piston
20	98-9551	3	Piston Ring ASM (STD)
20	108-1404	3	Piston Ring ASM (0.5Mm)
30	98-9513	3	Pin-Piston
40	98-9514	6	Circlip-Pin, Piston
50	98-9516	3	Connecting Rod ASM
60	98-9515	3	Bushing-Pin, Piston
70	98-9517	6	Bolt-Rod, Connecting
80	98-9520	3	Bearing-Rod (0.4Mm)
80	98-9519	3	Bearing-Rod (0.2Mm)
80	98-9518	3	Metal-Crankpin (STD)
90	98-9642	1	Crankshaft ASM
100	110-3729	3	Ball
110	98-9532	1	Gear-Crankshaft
120	98-9666	1	Key
130	98-9542	1	Gear-Drive, Oil Pump
140	98-9522	1	Sleeve-Crankshaft
150	98-9521	1	Collar-Crankshaft
160	105-3783	1	O-Ring
170	98-9523	1	Metal Crankshaft (STD)
170	98-9528	1	Bearing-Main (0.2Mm)
170	98-9529	1	Bearing-Main (0.4Mm)
180	98-9524	2	Metal-Crankshaft (STD Set)

Ref	Part No.	Qty.	Description
180	98-9530	2	Bearing-Main (0.2Mm)
180	98-9531	2	Bearing-Main (0.4Mm)
190	112-7006	1	Bearing-Main (STD)
190	112-7007	1	Metal-Crankshaft (.2Mm)
190	112-7008	1	Metal-Crankshaft (.4Mm)
200	98-9413	2	Bearing-Thrust (STD)
200	98-9414	2	Bearing-Thrust (0.2Mm)
200	98-9415	2	Bearing-Thrust (0.4Mm)
210	98-9688	2	Bearing-Thrust (STD)
210	98-9689	2	Bearing-Thrust (0.2Mm)
210	98-9690	2	Bearing-Thrust (0.4Mm)



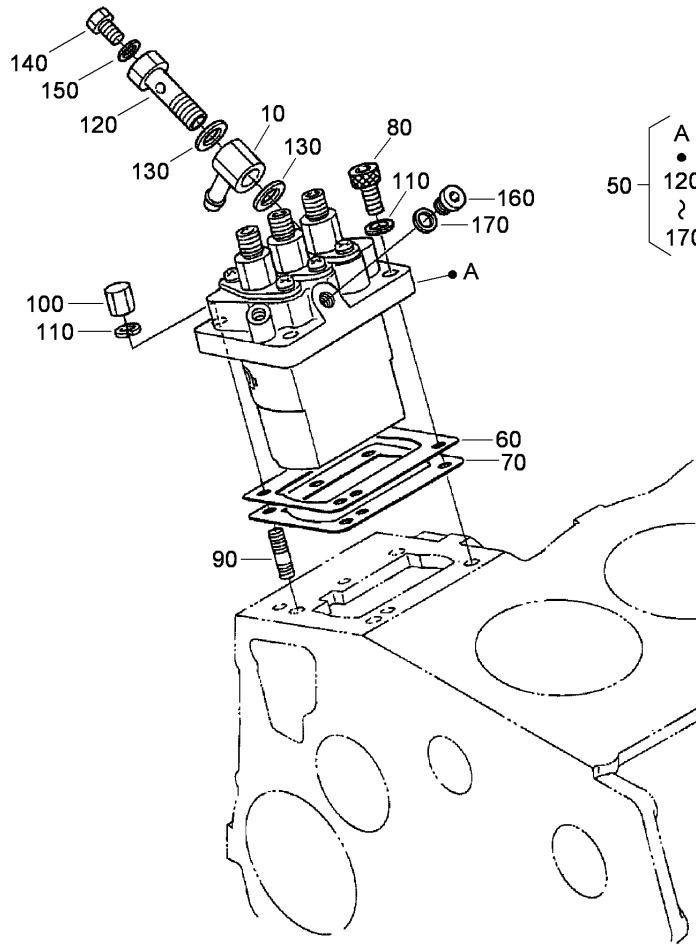
Fuel Camshaft and Governor Shaft Assembly

Ref	Part No.	Qty.	Description
10	98-9459	1	Camshaft-Fuel
20	107-9077	1	Bearing-Ball
30	107-9078	1	Bearing-Ball
60	98-9590	1	Nut-Cap
70	98-9669	1	Gear-Pump, Injection
80	98-9595	1	Key-Woodruff
90	98-9511	1	Stopper-Fuel, Camshaft
100	98-7692	2	Bolt
110	98-9644	1	Governor Shaft ASM
120	98-9562	1	Holder-Gear, Governor
130	98-9673	1	Gear-Governor
140	98-9561	1	Holder-Weight, Governor
150	98-9559	2	Governor Weight ASM
160	98-9560	2	Shaft-Weight, Governor
170	98-9692	2	Roller
180	98-9563	1	Sleeve-Governor
190	98-9564	1	Washer-Thrust
200	107-9079	1	Bearing-Ball
210	98-9657	1	Circlip-Shaft, Governor
220	98-9565	1	Screw-Set



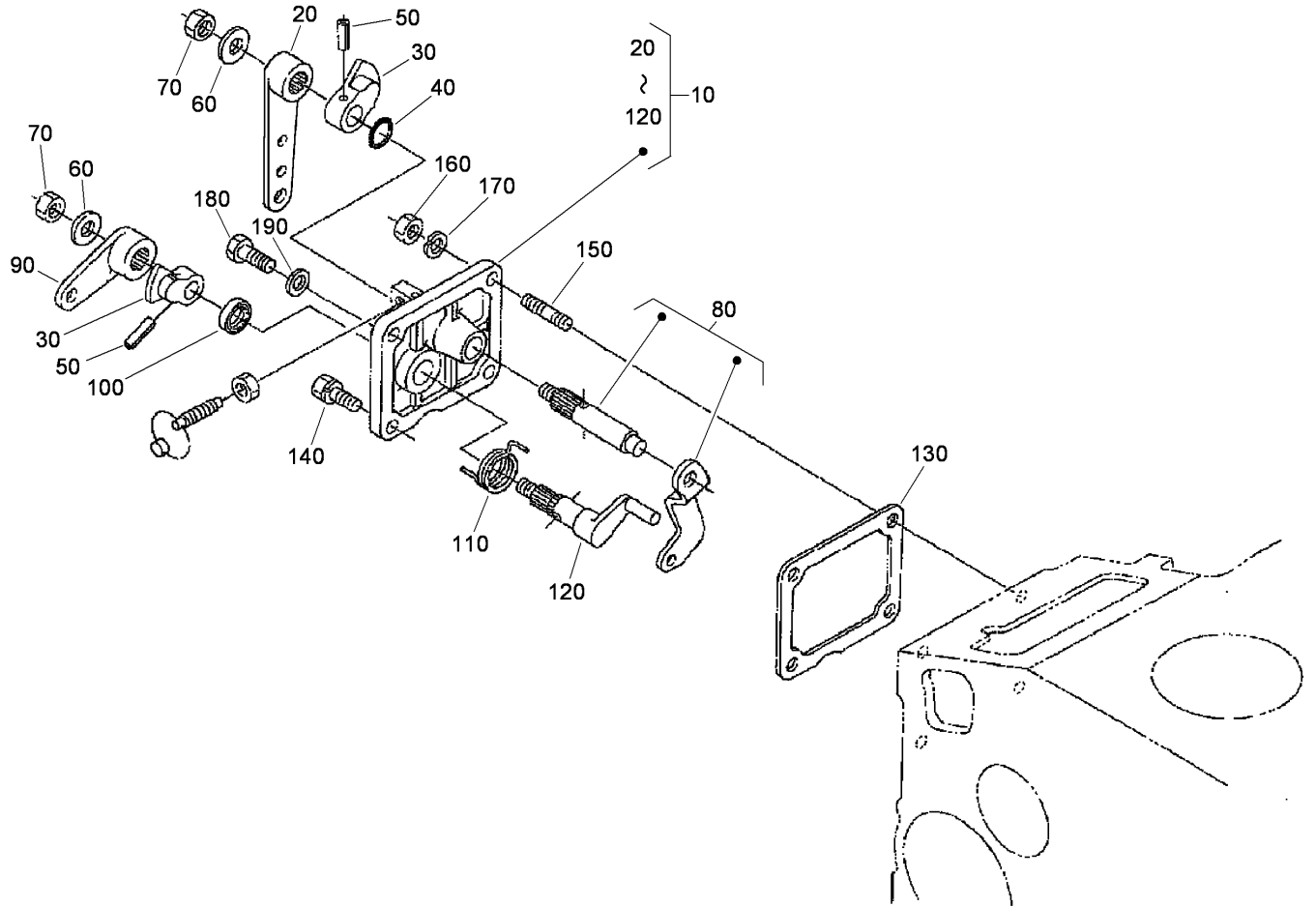
Idle Apparatus Assembly

Ref	Part No.	Qty.	Description				
10	98-9678	1	Idle Apparatus ASM				
20	112-7014	1	Adjusting Bolt ASM				
30	98-9439	1	Nut				
40	112-0181	1	Nut				
50	98-7654	2	Gasket				
60	98-7656	1	Cap				
70	112-7015	1	Bolt-Adjusting				
80	100-2175	1	Nut-Lock				
90	112-0181	1	Nut				
100	98-7654	1	Gasket				
110	107-9081	1	Gasket				
130	104-5155	1	Solenoid-Stop				
140	105-3799	2	Bolt-HSH				
150	98-7699	2	Washer-Spring				
160	99-3514	1	Cover				
170	98-9636	1	Gasket-Pump, Fuel				
180	98-7572	2	Nut				
190	98-7699	2	Washer-Spring				
200	112-7016	1	Cover-Pump				



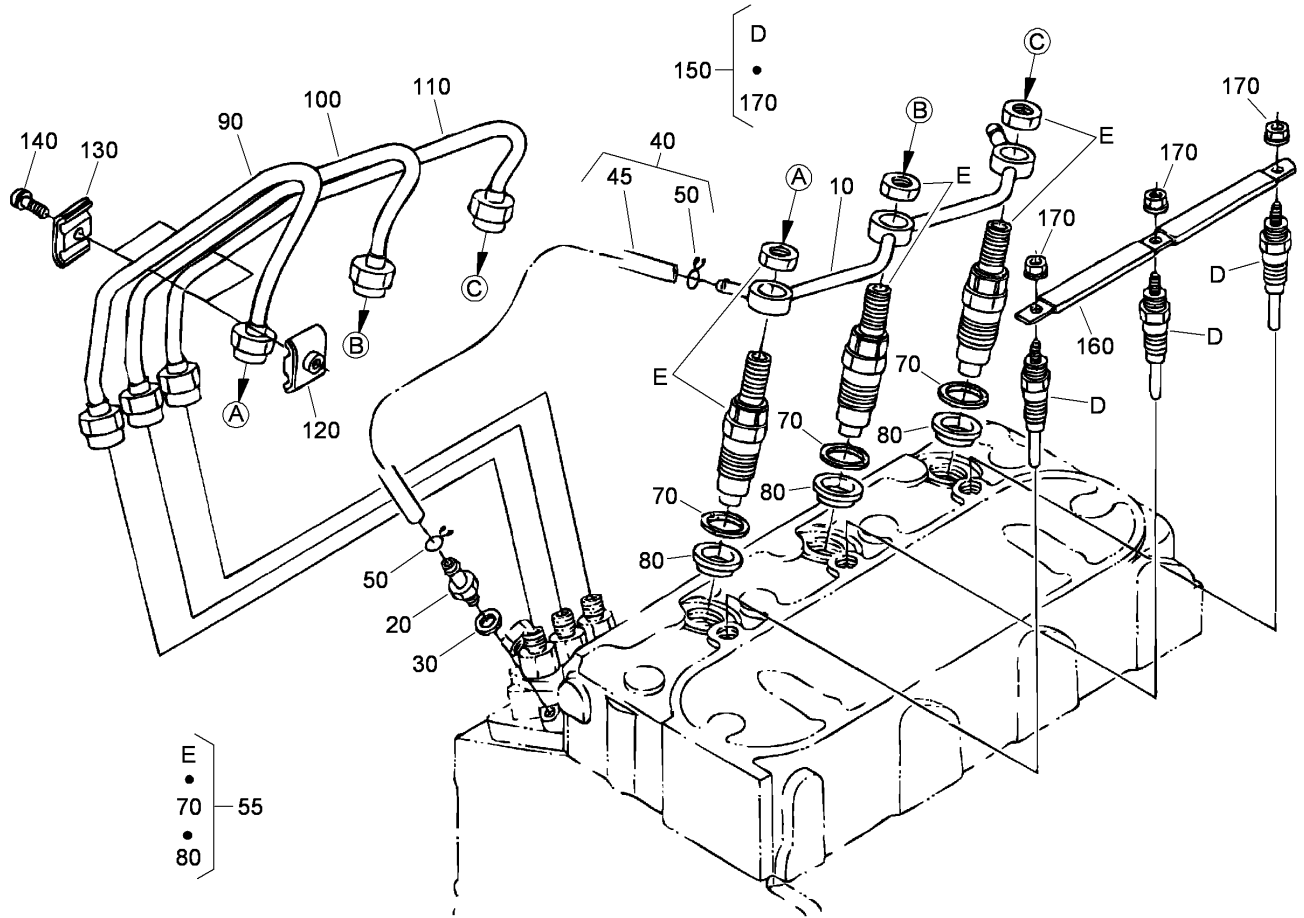
Injection Pump Assembly

Ref	Part No.	Qty.	Description				
10	98-9596	1	Joint-Eye				
50	98-9643	1	Injection Pump ASM				
60	98-9457	1	Shim-Injection (0.25Mm)				
60	98-9456	1	Shim-Injection (0.20Mm)				
70	98-9458	1	Shim-Injection (0.30Mm)				
80	98-9361	2	Bolt-HSH				
90	98-9438	2	Stud				
100	98-9440	2	Nut-Cap				
110	98-7699	4	Washer-Spring				
120	98-9464	1	Bolt-Joint				
130	98-9445	2	Gasket				
140	98-9430	1	Screw				
150	98-9446	1	Gasket				
160	98-9466	1	Plug				
170	98-9451	1	Gasket				



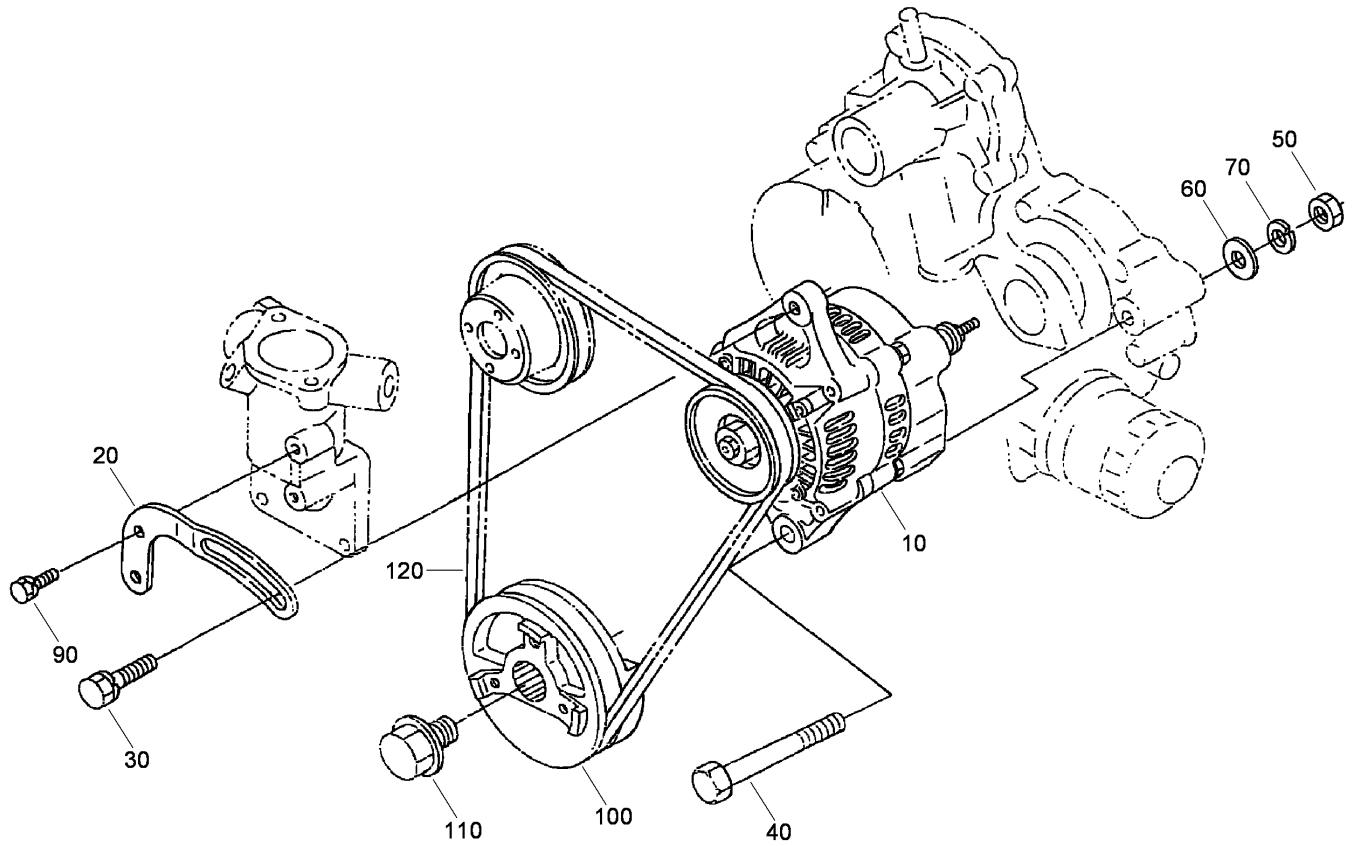
Speed Control Plate Assembly

Ref	Part No.	Qty.	Description
10	105-3735	1	Control Plate ASM
20	98-9662	1	Lever-Control, Speed
30	98-9572	2	Lever-Control, Speed
40	105-3788	1	O-Ring
50	98-7602	2	Pin-Spring
60	98-9594	2	Washer-Plain
70	98-9589	2	Nut
80	98-9658	1	Governor Lever ASM
90	98-9663	1	Lever-Stop, Engine
100	98-7601	1	Seal-Oil
110	98-9472	1	Spring-Return
120	98-9664	1	Shaft-Lever, Stop
130	98-9637	1	Gasket
140	98-7692	1	Bolt
150	105-3710	2	Stud
160	98-7572	2	Nut
170	98-7699	2	Washer-Spring
180	99-8348	1	Bolt
190	98-7654	2	Gasket



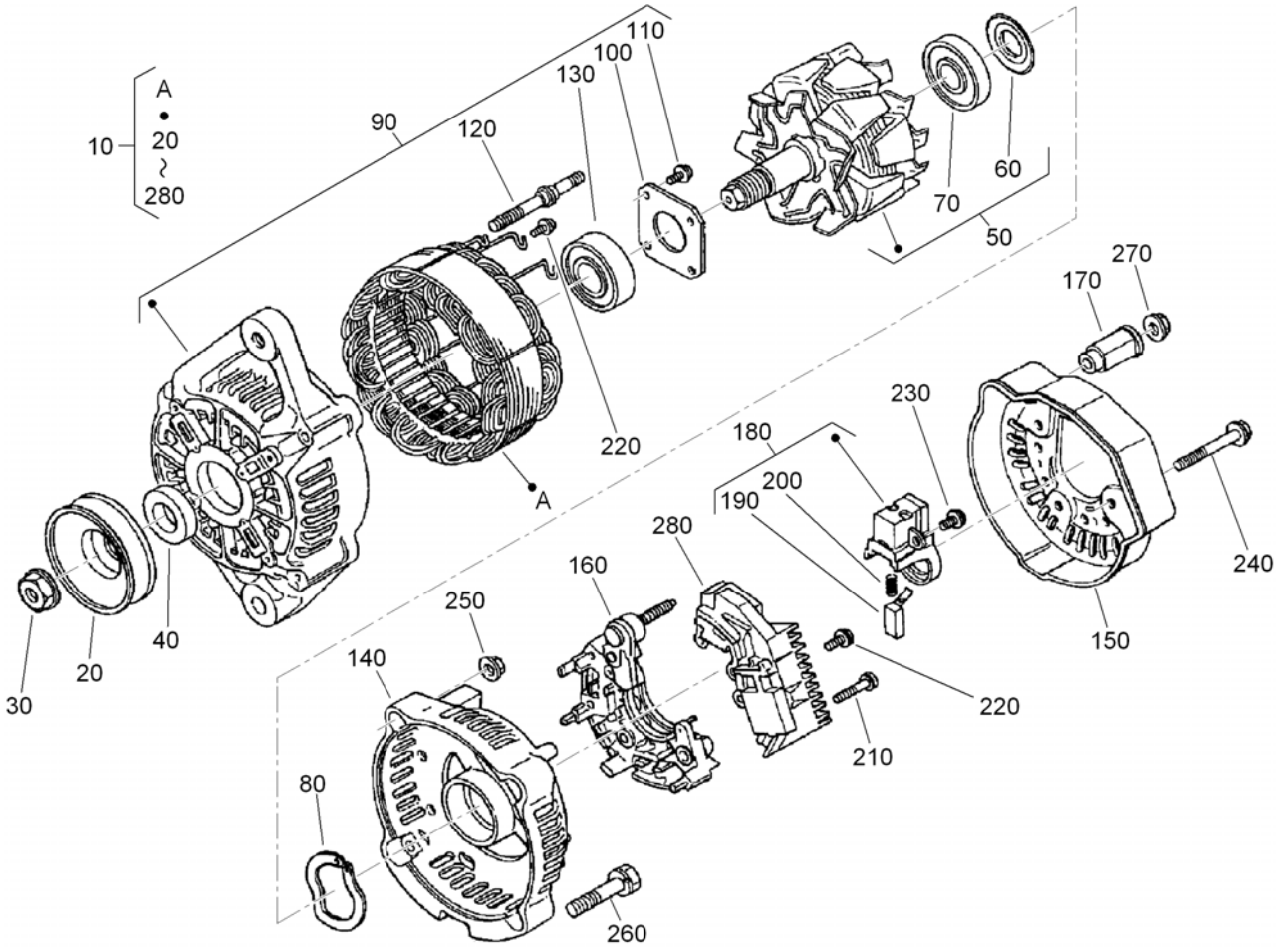
Nozzle Holder and Glow Plug Assembly

Ref	Part No.	Qty.	Description
10	98-9620	1	Overflow Pipe ASM
20	98-9431	1	Screw-Bleeder, Air
30	98-7654	1	Gasket
40	98-9420	1	Overflow Pipe ASM
45	112-0182	1	Pipe-Overflow
50	98-7671	2	Clip-Pipe
55	108-2866	3	Nozzle Holder Kit
70	98-7676	3	Gasket
80	98-7677	3	Seal-Heat
90	98-9653	1	Pipe-Injection
100	98-9654	1	Pipe-Injection
110	98-9655	1	Pipe-Injection
120	98-7682	2	Clamp-Pipe
130	98-7683	2	Clamp-Pipe
140	98-7684	2	Screw (W/Washer)
150	98-9695	3	Plug-Glow
160	98-9631	1	Cord-Plug, Glow
170	99-8377	3	Nut-Flange



Alternator and Pulley Assembly

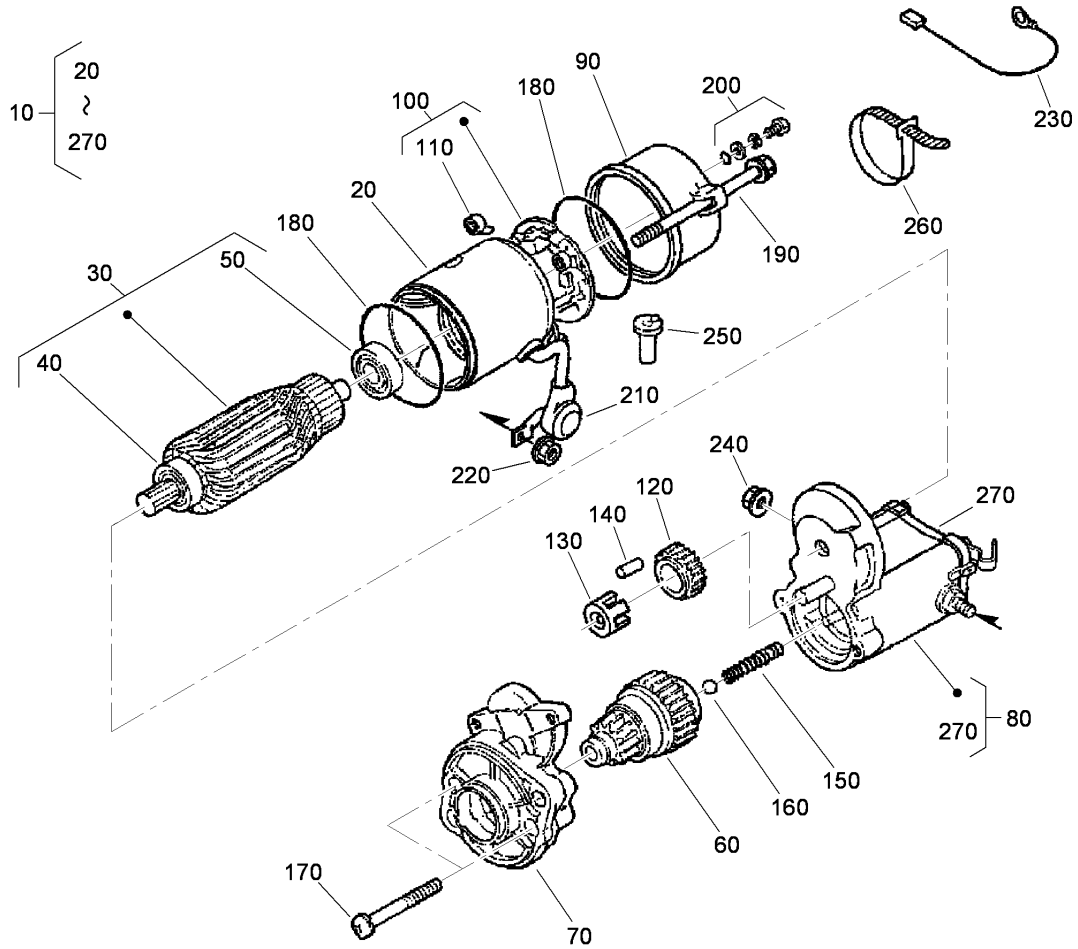
Ref	Part No.	Qty.	Description
10	98-9474	1	Alternator ASM
20	98-9573	1	Stay-Dynamo
30	108-7088	1	Bolt
40	98-9360	1	Bolt
50	98-7737	1	Nut
60	98-9366	1	Washer-Plain
70	98-7738	1	Washer-Spring
90	98-7692	1	Bolt
100	98-9473	1	Pulley-Drive, Fan
110	98-9585	1	Bolt
120	98-9676	1	V-Belt



Alternator Components Assembly

Ref	Part No.	Qty.	Description
10	98-9474	1	Alternator ASM
20	98-9453	1	Pulley-Dynamo
30	98-7708	1	Nut
40	98-7709	1	Collar
50	107-0136	1	Rotor
60	98-7711	1	Cover-Bearing
70	107-0138	1	Bearing-Ball
80	98-7713	1	Washer-Thrust
90	107-0139	1	Drive End Frame ASM
100	98-7715	1	Plate-Retainer
110	98-7716	4	Screw-Head, Round
120	98-7717	2	Bolt-Through
130	107-0137	1	Bearing-Ball
140	107-9087	1	Frame-End
150	107-0140	1	Cover-End
160	98-7721	1	Rectifier ASM
170	98-7722	1	Bushing-Insulation
180	107-0141	1	Holder-Brush
190	98-7724	2	Brush
200	98-7725	2	Spring-Brush
210	98-7726	2	Screw-Head, Round
220	98-7727	6	Screw-Head, Round
230	98-7728	1	Screw-Head, Round
240	98-7729	3	Bolt

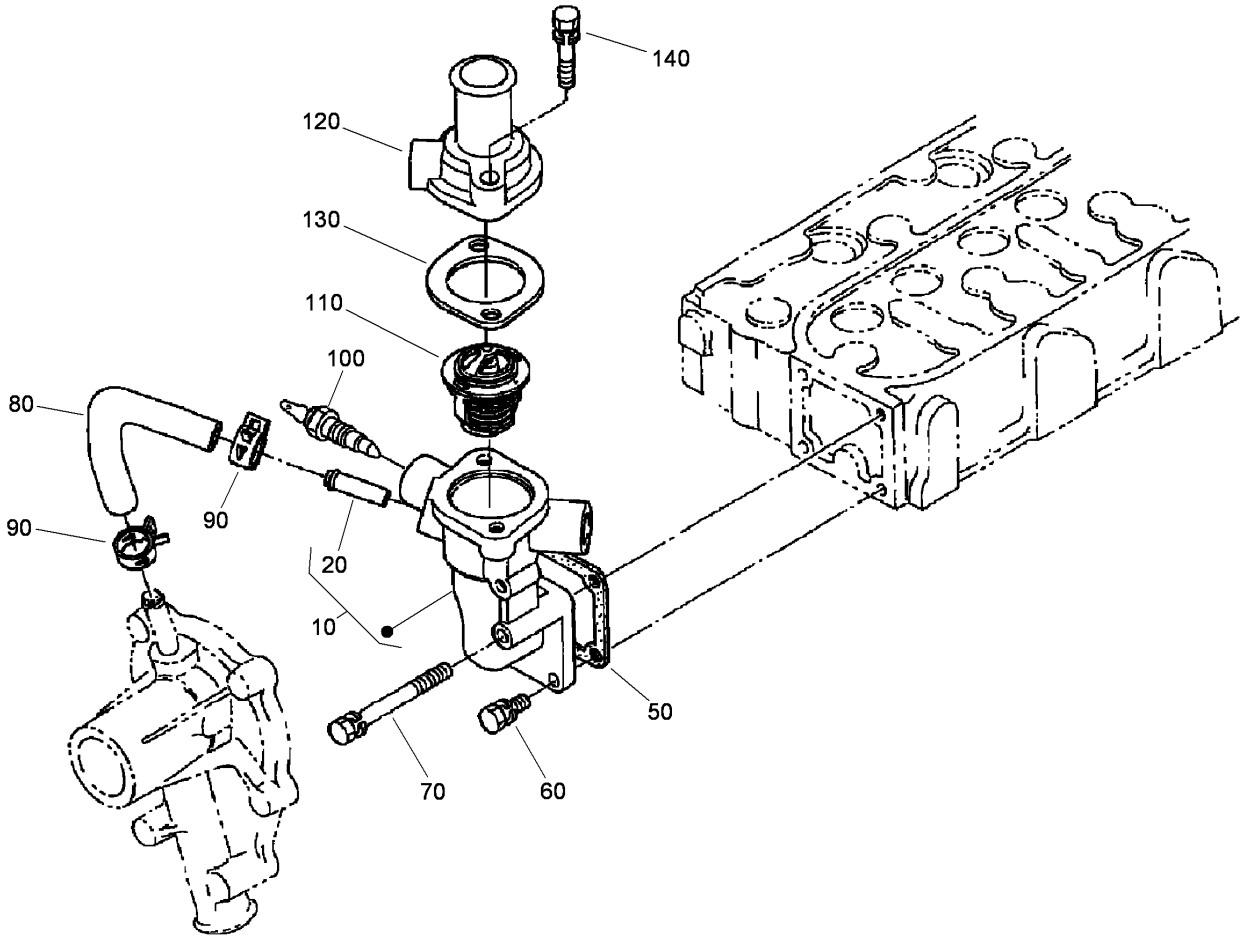
Ref	Part No.	Qty.	Description
250	98-7730	2	Nut
260	98-7731	2	Bolt
270	98-7732	1	Nut
280	110-3799	1	Regulator ASM



Starter Components

Ref	Part No.	Qty.	Description
10	98-9705	1	Starter ASM
20	104-8608	1	Yoke ASM
30	98-7742	1	Armature ASM
40	98-7744	1	Bearing
50	98-7743	1	Bearing
60	99-8373	1	Clutch-Running, Over
70	99-8374	1	Frame-End, Drive
80	105-3746	1	Magnetic Switch ASM
90	98-7748	1	Frame-End
100	98-7749	1	Brush Holder ASM
110	98-7750	4	Spring-Brush
120	98-7751	1	Gear
130	98-7752	1	Retainer
140	98-7753	5	Roller
150	98-7754	1	Spring
160	98-7755	1	Ball
170	98-7756	2	Bolt
180	98-7757	2	O-Ring
190	100-9240	2	Bolt
200	98-7758	2	Bolt ASM
210	99-8375	1	Cover
220	99-8371	1	Nut-Hex
230	98-9711	1	Cord-Solenoid, Stop
240	99-8376	1	Nut-Hex

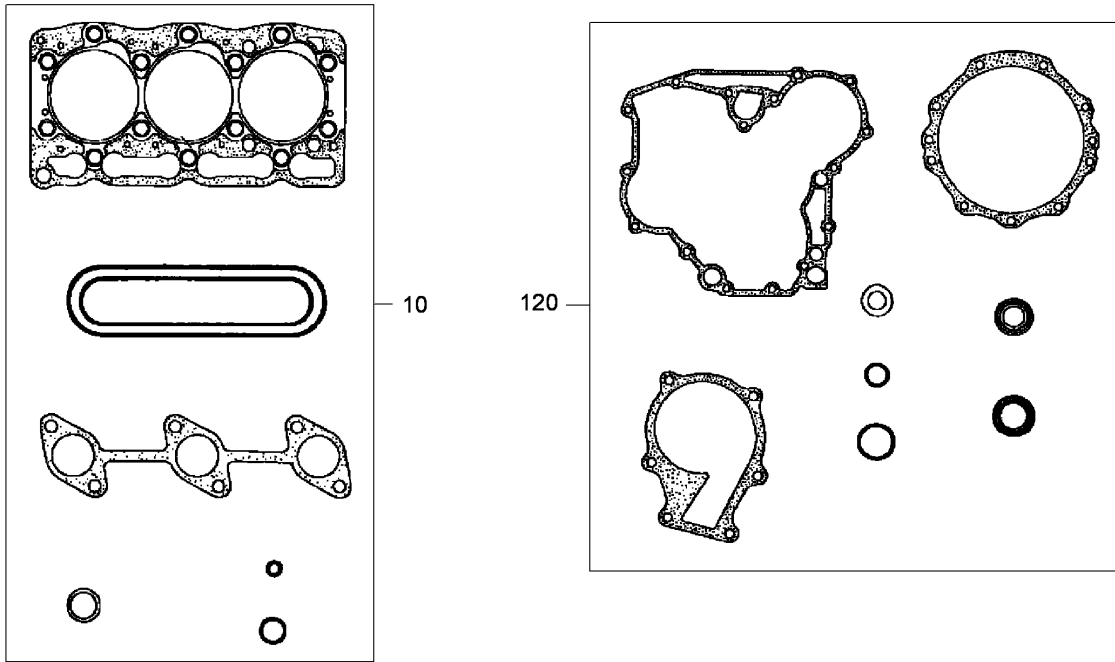
Ref	Part No.	Qty.	Description
250	98-7759	1	Pipe-Drain
260	98-9712	1	Band-Cover
270	105-2886	1	Cover ASM



Water Flange and Thermostat Assembly

Ref	Part No.	Qty.	Description
10	98-9713	1	Water Flange ASM
20	98-9580	1	Pipe-Return, Water
50	98-9638	1	Gasket-Flange, Water
60	98-7692	3	Bolt
70	98-9356	1	Bolt
80	98-9578	1	Pipe-Return, Water
90	98-9579	2	Band-Pipe
100	112-0183	1	Switch-Thermometer
110	98-7778	1	Thermostat ASM
120	98-9471	1	Cover-Thermostat
130	105-3748	1	Gasket-Thermostat
140	98-7777	2	Bolt

--	--	--	--



Upper and Lower Gasket Kits

Ref	Part No.	Qty.	Description
10	107-7848	1	Upper Gasket Kit
120	107-9095	1	Lower Gasket Kit

Attachments and Accessories

For 30360 - Groundsmaster 7200 with 72in Side Discharge Mower

Product Name	Model/Part
Tooth Rake	08751
Finish Grader	08754
Drag Mat Carrier System	08756
Steel Drag Mat	08757
Coco Drag Mat	08758
Lug Tire (24 X 12 - 12)	103-6771
Bahiagrass Baffle Kit	105-7269
Blade-Belt Kit, 62 Inch Guardian Only	105-7270
Blade-Belt Kit, 72 Inch Guardian Only	105-7271
Blade-Belt Kit, 72 Inch Side Discharge Only	105-7272
Striping Kit, 72 Inch Side Discharge Only	105-7273
Yellow Hydraulic Cap	107-1576
Cap-Diesel, Green	107-2172
Premium Engine Oil, 15w40 (Drum)	108-1181
Premium Engine Oil, 15w40 (Pail)	108-1182
Premium Transmission/Hydraulic Tractor Fluid (Drum)	108-1183
Premium Transmission/Hydraulic Tractor Fluid (Pail)	108-1184
Leaf Mulching Kit, 72 Inch Side Discharge Only	108-5273
Wheel And Tire ASM (Semi Pneumatic)	110-6406
Spark Arrestor Kit	112-1688
Bio-Diesel Fuel Filter Kit	112-9140
Slow Moving Vehicle Kit	114-4050
5 Inch Air Cleaner Safety Element	114-4057
Weight Mount Bracket Kit	114-4090
42-pound Weight, For Kit 114-4090	114-4096
MVP (Filter) Kit	30037
Guardian Recycler Completion Kit	30304
62 Inch Guardian Recycler Completion Kit	30306
Guardian Fine Recycler Completion Kit, Groundsmaster 7200 Series Traction Unit with 72 Inch Base Mower	30346
Recycler Kit, 72in Side Discharge Mower for Groundsmaster 3320, 3280-D and 7200	30347
Recycler Kit, 60in Side Discharge Mower for Groundsmaster 3320, 3280-D and 7200	30348
Polar Trac Kit	30370
Polar Trac Cab	30371
Road Light Kit	30374
Z-Stand Kit	30375
Rear Quick Attach System	30377
V-Plow Mounting Kit	30378
Auxiliary Hydraulic Power Kit	30380
Auxiliary Power Unit	30382
CE Kit	30392
Debris Blower	30393
Rear Discharge Kit, Groundsmaster 7200 Series Traction Unit with 62 Inch Base Mower	30463
Rear Discharge Kit, Groundsmaster 7200 Series Traction Unit with 72 Inch Base Mower	30466
48 Inch V-Plow	30750

NOTES

NOTES

