



Hydraulic Hose Kit

for Cutting Units for Reelmaster 5010 Series Traction Unit

Model No. 117-2720

Installation Instructions

Loose Parts

Use the chart below to verify that all parts have been shipped.

Procedure	Description	Qty.	Use
1	Hydraulic hose assembly (106-3672)	4	Install the kit.
	Hydraulic hose assembly (98-4590)	2	
	Hydraulic hose assembly (114-8868)	4	
	Hydraulic hose assembly (106-3680)	2	
	Hydraulic hose assembly (106-3369)	1	
	Hydraulic hose assembly (106-3670)	1	
	Hydraulic hose assembly (106-3671)	1	
	Cable tie (3334-945)	15	
	O-ring [ORFS-8] (237-30)	20	
	O-ring [ORFS-4] (237-21)	15	

1

Installing the Kit

Parts needed for this procedure:

4	Hydraulic hose assembly (106-3672)
2	Hydraulic hose assembly (98-4590)
4	Hydraulic hose assembly (114-8868)
2	Hydraulic hose assembly (106-3680)
1	Hydraulic hose assembly (106-3369)
1	Hydraulic hose assembly (106-3670)
1	Hydraulic hose assembly (106-3671)
15	Cable tie (3334-945)
20	O-ring [ORFS-8] (237-30)
15	O-ring [ORFS-4] (237-21)

Procedure



Hydraulic fluid escaping under pressure can penetrate skin and cause injury.

- Make sure all hydraulic fluid hoses and lines are in good condition and all hydraulic connections and fittings are tight before applying pressure to the hydraulic system.
- Keep your body and hands away from pin hole leaks or nozzles that eject high pressure hydraulic fluid.
- Use cardboard or paper to find hydraulic leaks.
- Safely relieve all pressure in the hydraulic system before performing any work on the hydraulic system.
- Get immediate medical help if fluid is injected into skin.

1. Locate and remove the hoses to be replaced as shown in Figure 1.

Note: When removing the old hoses, remember how they were routed through the components in the machine.

2. Replace the old hoses and O-rings with the appropriate new ones. The part number of each new hose is shown in Figure 1.

Important: Before installing any hydraulic hoses, make sure the correct O-rings are in position and lubricated with hydraulic oil.

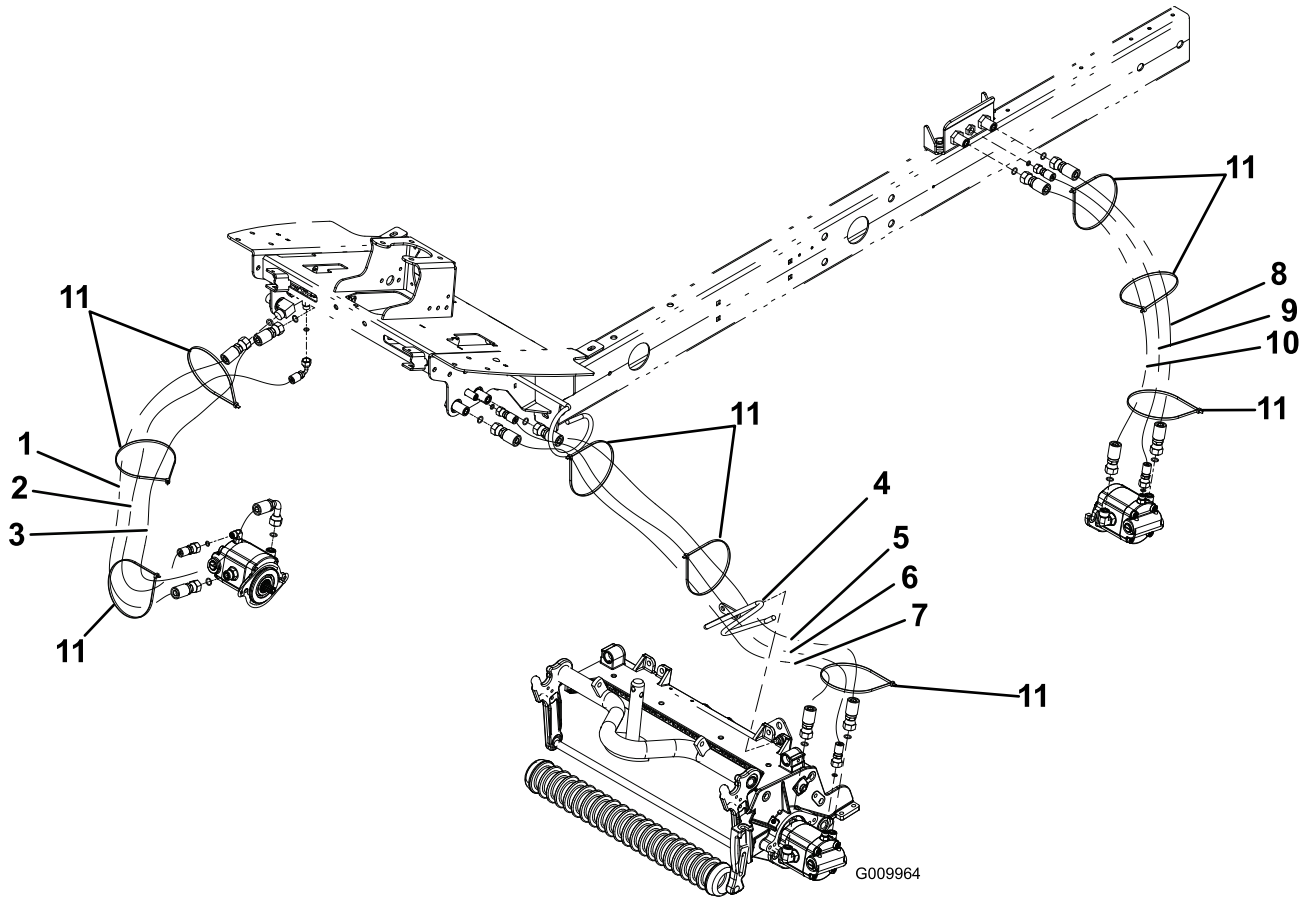


Figure 1

- | | | |
|-------------------------------------|------------------|-------------------|
| 1. Hose 106-3369 | 5. Hose 114-8868 | 9. Hose 98-4590 |
| 2. Hose 106-3371 | 6. Hose 106-3680 | 10. Hose 106-3672 |
| 3. Hose 106-3370 | 7. Hose 114-8868 | 11. Cable tie |
| 4. Hose guide 115-8054 and 115-8056 | 8. Hose 106-3672 | |

Note: The hose guides (115-8054 and 115-8056) are standard on all units with serial numbers 280000801 and up. They are not included in the kit, but they can be ordered separately.

3. Install the cable ties as shown in Figure 1.