



# TITAN Zero-Turn-Radius Riding Mowers

Model No. All Models

## Setup Instructions

### Loose Parts

Use the chart below to verify that all parts have been shipped.

| Procedure | Description  | Qty.                  | Use  |
|-----------|--|-----------------------|--|
| <b>1</b>  | No parts required  | –                     | Connect the battery.                           |
| <b>2</b>  | No parts required  | –                     | Set up the motion control levers and the Seat. |
| <b>3</b>  | Ignition Key<br>Hose coupling<br>Operator's Manual<br>Engine Operator's Manual<br>Operator Training Material | 1<br>1<br>1<br>1<br>1 | Complete the Setup.                            |

**Note:** Determine the left and right sides of the machine from the normal operating position.

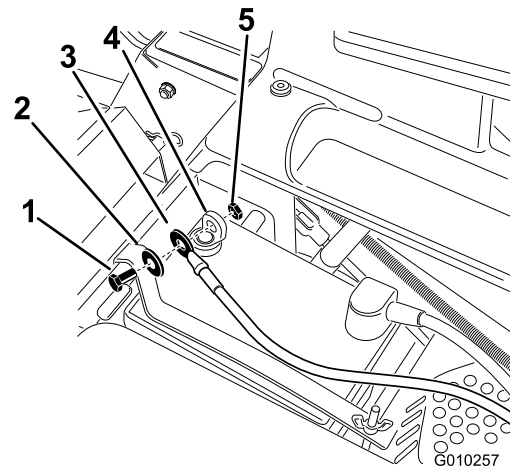
# 1

## Connecting the Battery

### No Parts Required

#### Procedure

1. Locate the battery and negative battery cable in the center of the machine.
2. Remove the black plastic cap from the negative battery post. Remove the fasteners from the negative battery cable and use them to secure the negative battery cable to the negative battery post (Figure 1).



**Figure 1**

- |                           |                          |
|---------------------------|--------------------------|
| 1. Bolt                   | 4. Negative battery post |
| 2. Washer                 | 5. Nut                   |
| 3. Negative battery cable |                          |

# 2

## Setting Up the Motion Control Levers and the Seat

### No Parts Required

### Procedure

1. Remove the upper bolt (3/8 x 1 inch) and washer; loosen the lower bolt (3/8 x 1 inch) as shown in Figure 2.
2. Align the holes in the motion control lever with the holes in the control arm shaft and install the bolt and washer removed previously (Figure 2). Hand tighten all fasteners. Repeat this for both controls levers. Move the motion control levers into the neutral lock position.

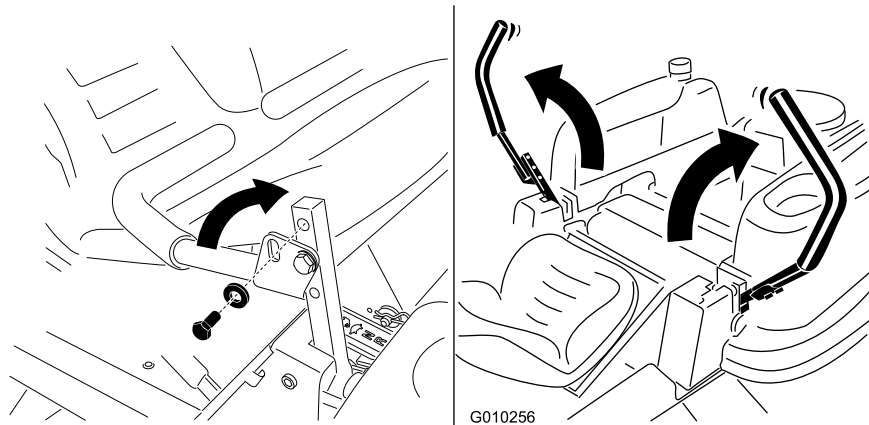


Figure 2

3. Setup the seat as follows (Figure 3):

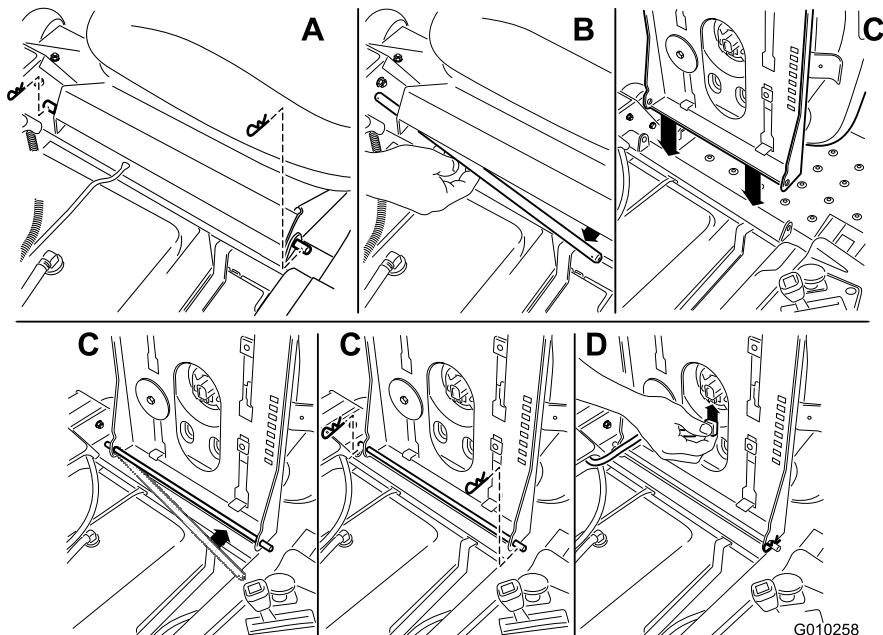
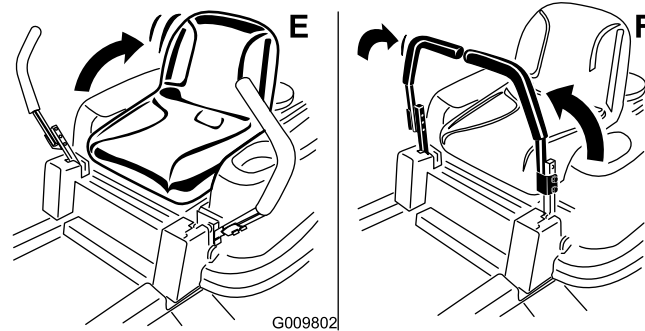


Figure 3

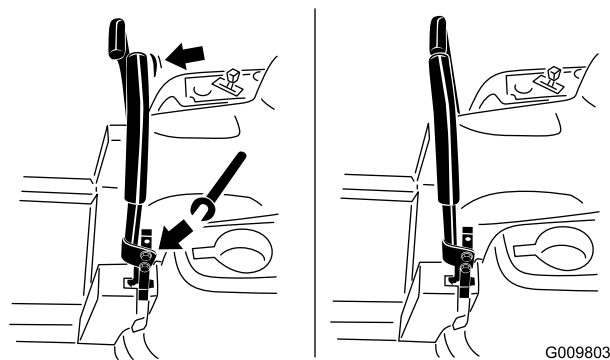
- A. Remove the hairpin cotter pins on the seat rod securing the seat to the machine.

- B. Slide the seat rod out from the brackets and seat frame.
- C. Rotate the seat 180 degrees and install it into the bracket you removed it from, using the rod and hairpin cotters removed previously.
- D. Connect the interlock switch cable to the seat.
- E. Lower the seat into the operating position (Figure 4).
- F. Move the control levers back to the center position (neutral) as shown in Figure 4.



**Figure 4**

- 
- 4. Verify the motion control levers are properly aligned (Figure 5). Adjust as necessary. Tighten all fasteners.



**Figure 5**

# 3

## Completing the Setup

### Parts needed for this procedure:

|   |                                 |
|---|---------------------------------|
| 1 | Ignition Key                    |
| 1 | Hose coupling                   |
| 1 | <i>Operator's Manual</i>        |
| 1 | <i>Engine Operator's Manual</i> |
| 1 | Operator Training Material      |

### Procedure

#### Checking the Tire Pressure

Check the front and rear tires for proper inflation. Refer to Checking the Tire Pressure in the *Operator's Manual* for the recommended inflation pressure.

#### Checking the Side Discharge Chute

Remove the packing restraint holding the side discharge chute up and lower the chute into place.

#### Checking the Engine Oil Level

Before you start the engine and use the machine, check the oil level in the engine crankcase; refer to Checking the Oil Level in the *Operator's Manual*.

#### Checking the Hydraulic Oil Level

Before you start the engine and use the machine, check the hydraulic oil level in the reservoir behind the seat; refer to Checking the Oil Level in the *Operator's Manual*.

#### Checking the Mower Adjustment

The mower deck was leveled at the factory. If the mower is not cutting level, adjust the side-to-side level and the front-to-rear blade slope. See the Operator's Manual for the proper procedure.

#### Review the Remaining Parts

Keep all the following items with the machine:

- Ignition Key
- Hose coupling
- *Operator's Manual*
- *Engine Operator's Manual*
- View the Operator training material.