



14-38Z TimeCutter™ Z Riding Mower

Model No. 74301 - 230000001 and up.

Parts Catalog

Ordering Replacement Parts

To order replacement parts, please supply the part number, the quantity, and the description of each part desired.

Understanding Reference Numbers

Each identified part in an illustration has a reference number. The reference number for a part also appears in the parts list, along with other information about the part.

This catalog uses two special reference number formats, one to indicate parts in a service assembly and another to indicate the quantity of a given part in an illustration.

Service Assembly Reference Numbers

Parts in service assemblies have reference numbers in the form a:b. The a represents the reference number of the entire service assembly and the b represents a sequential number unique to each part within the service assembly.

For example, a wheel assembly might be identified by reference number 6, the tire by 6:1, the valve by 6:2, and the wheel by 6:3. When you order the assembly identified by reference number 6, you receive all parts identified by reference numbers 6:1, 6:2, and 6:3. However, you may also order any part individually. Reference numbers of this type appear in illustrations and in part lists.

Reference Numbers Indicating Quantity

In an illustration, if a reference number indicates more than one part, the reference number has the form nX y. The n represents the quantity of the part, the X is the multiplication symbol, and the y represents the reference number.

For example, in an illustration, the reference number 2X 37 means that two of the parts identified by reference number 37 are indicated.

Contents

Description	Page	Description	Page
Frame Assembly	3	Cylinder Assembly Briggs and Stratton 280H07-0166-E1	18
Control Assembly	5	Cylinder Head Assembly Briggs and Stratton 280H07-0166-E1	19
Hydro and Belt Drive Assembly	6	Crankshaft Assembly Briggs and Stratton 280H07-0166-E1	20
Engine Assembly	7	Crankcase Assembly Briggs and Stratton 280H07-0166-E1	21
38in Deck Spindle and Belt Drive Assembly	9	Oil Filter, Tube and Pump Assembly Briggs and Stratton 280H07-0166-E1	22
38in Deck Assembly	10	Carburetor Assembly Briggs and Stratton 280H07-0166-E1	23
Electrical Assembly	11	Governor Assembly Briggs and Stratton 280H07-0166-E1	24
Housing Assembly RH Hydrostat No. 105-3491	12	Blower Housing Assembly Briggs and Stratton 280H07-0166-E1	25
Cylinder Block Assembly RH Hydrostat No. 105-3491	13	Starter Assembly Briggs and Stratton Model 280H07-0166-E1	26
Fan and Pulley Assembly RH Hydrostat No. 105-3491	14	Gasket Assembly Briggs and Stratton Model 280H07-0166-E1	27
Housing Assembly LH Hydrostat No. 105-3492	15	Carburetor Overhaul Kit Assembly Briggs and Stratton 280H07-0166-E1	28
Cylinder Block Assembly LH Hydrostat No. 105-3492	16		
Fan and Pulley Assembly LH Hydrostat No. 105-3492	17		

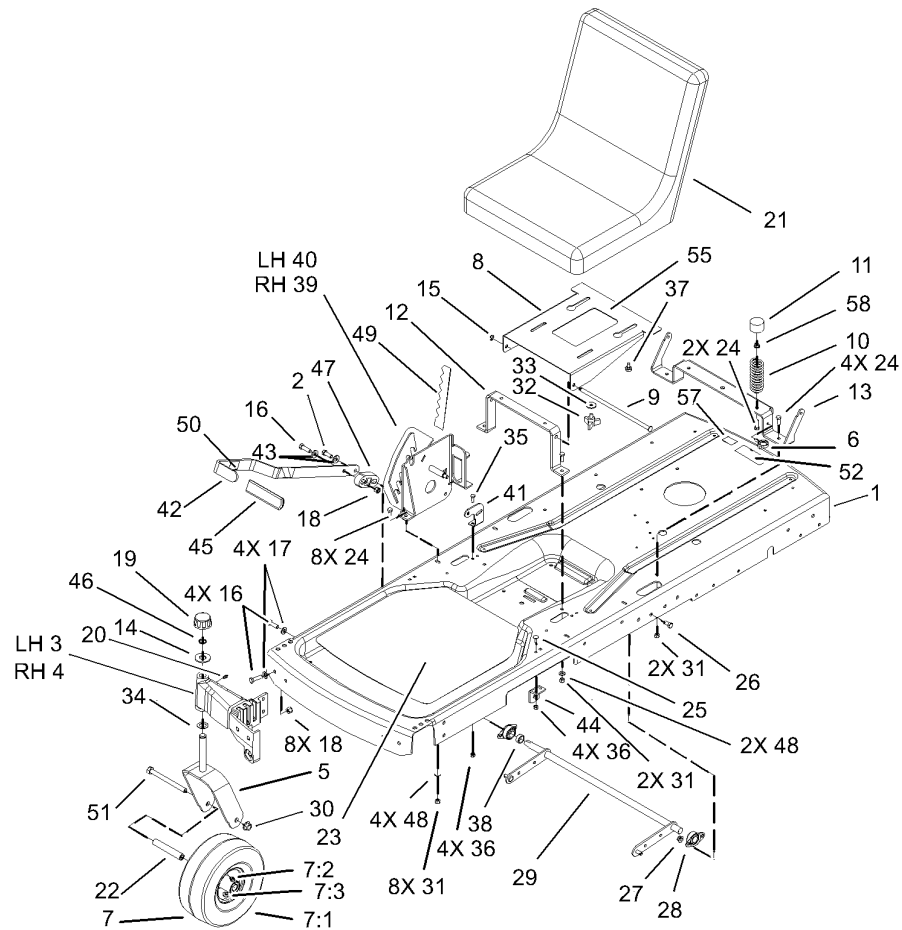
Part Description Abbreviations

Part descriptions in this catalog may include the following abbreviations.

AR. as required	HYD. hydraulic
ASM. assembly	LH. left hand
BBC. blade brake clutch	NI. nylon insert
CARR. carriage	NPTF. national pipe thread fine
DEG. degrees	PFH. phillips flat head
EXT. external	PPH. phillips pan head
FH. flat head	PPHTF. phillips pan head thread forming
GA. gauge	PRH. phillips round head
HD. heavy-duty	PTH. phillips truss head
HF. hex flange	PTO. power-take-off
HH. hex head	RH. right hand
HHF. hex head flange	ROPS. roll-over protection system
HHFTF. hex head flange thread forming	SFH. slotted fillister head
HJ. hex jam	SHH. slotted hex head
HLH. hex lag head	SHWH. slotted hex washer head
HOC. height-of-cut	SPH. slotted pan head
HSBH. hex socket button head	SQH. square head
HSFH. hex socket flat head	SRH. slotted round head
HSH. hex socket head	STD. standard
HWH. hex washer head	TAP. self tapping
HWHTF. hex washer head thread forming	TTH. torx truss head

Footnotes

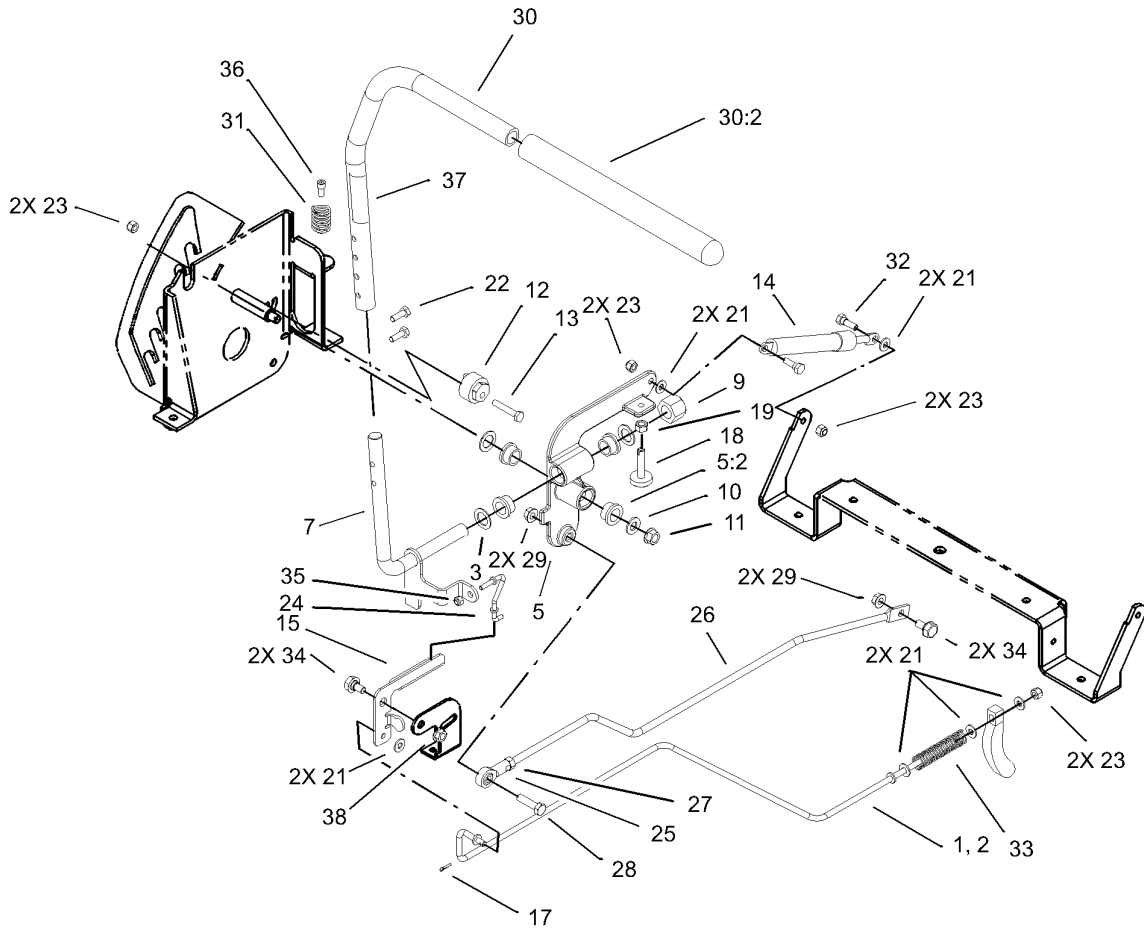
- | | |
|---------------------------------------------------|-----------------------------------------------|
| ❶ Not illustrated | ❷ Not serviced separately |
| ❸ Included in Engine Gasket Set-Ref. 358. | ❹ Included in Valve Gasket Set-Ref. 1095. |
| ❺ Included in Carburetor Overhaul Kit-Ref. 121. | ❻ Included in Carburetor Gasket Set-Ref. 977. |
| ❼ Obtain from your local Briggs & Stratton dealer | |



Frame Assembly

Ref	Part No.	Qty.	Description
1	105-3489-01	1	Frame
2	323-6	1	Screw-HH
3	105-6986-01	1	Caster-LH
4	105-6985-01	1	Castor-RH
5	106-2196-01	2	Caster Fork ASM
6	105-1853	1	Clamp-Hose
7	105-3471	2	Front Wheel And Tire ASM
7:1	105-1943	1	Tire
7:2	302-11	1	Fitting-Lube, 45 DEG
7:3	232-27	1	Stem-Valve
●	93-4244	1	Tube-Inner (W/Valve)
8	105-6953-03	1	Bracket-Seat
9	105-6955	1	Pin-Pivot
10	92-7054	2	Spring-Compression
11	701178	2	Cap-Protector
12	105-6954-03	1	Brace-Seat, Front
13	106-2210-03	1	Brace-Seat, Rear
14	28-2480	2	Washer
15	105-7004	1	E-Ring
16	323-7	9	Screw-HH
17	3256-24	8	Washer-Flat
18	3296-39	9	Nut-Lock, NI
19	61-9780	2	Cap-Hub
20	302-5	2	Fitting-Grease

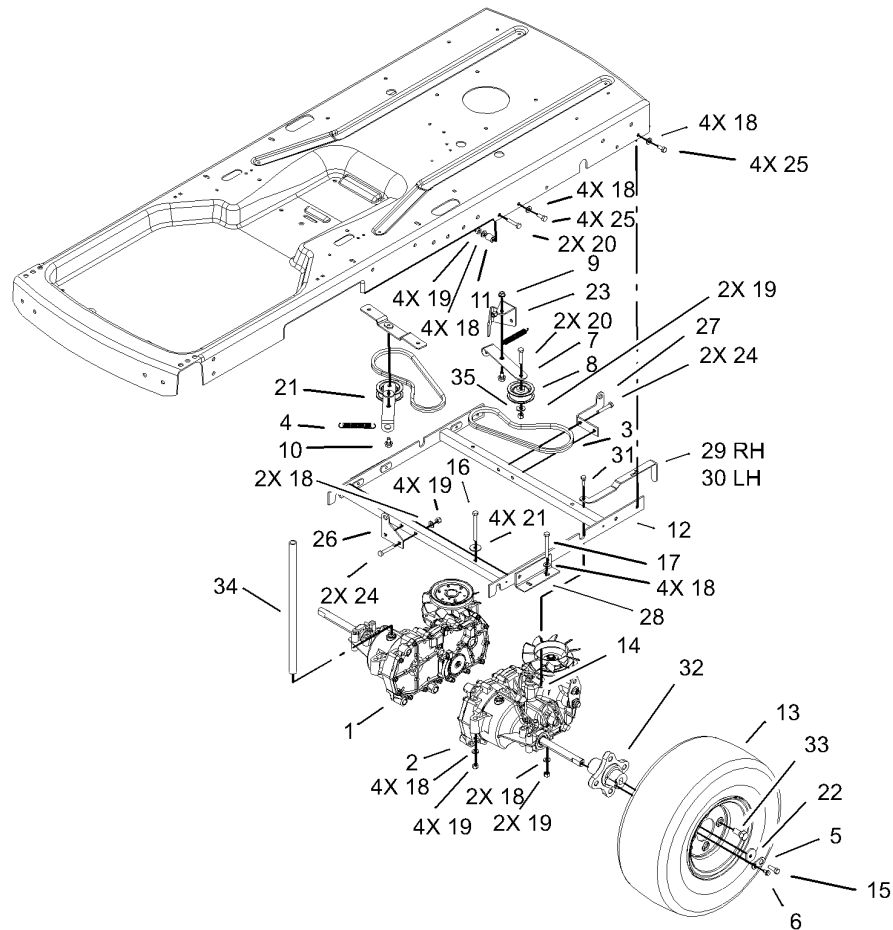
Ref	Part No.	Qty.	Description
21	105-6962	1	Seat
22	104-3667	2	Spanner-Wheel
23	105-3460	1	Pad-Antiskid
24	322-4	14	Screw-HH
25	3229-1	4	Screw-CARR
26	323-4	4	Screw-HH
27	3290-357	4	Nut-HHF, Whiz
28	1-633102	2	Bearing-Flange, Side
29	105-3499-03	1	Lift Arm ASM
30	32128-23	2	Nut-HF
31	3296-29	12	Nut-Lock, NI
32	92-9674	2	Knob
34	3-6498	2	Washer-Thrust
35	321-4	4	Screw-HH
36	3296-42	8	Nut-Lock, NI
37	37-8770	2	Bolt-Shoulder
38	106-2222	1	Spacer
39	106-2158-03	1	RH Plate ASM
40	106-2159-03	1	LH Plate ASM
41	106-2180	2	Bracket-Bellcrank
42	105-3435-03	1	Lever-Lift
43	98-5975	2	Washer-Belleville
44	105-3439	2	Bracket-Lift
45	105-3450	1	Grip-Lever, Lift



Control Assembly

Ref	Part No.	Qty.	Description
1	105-7045	1	Rod-Brake, LH
2	105-7044	1	Rod-Brake, RH
3	105-3481	6	Washer-Thrust
5	106-8671	1	RH Actuator Arm W/Bushing ASM
5:2	105-3455	4	Bushing
6	106-8672	1	LH Actuator Arm W/Bushing ASM
6:2	105-3455	4	Bushing
7	105-3488	1	LH Pivot Shaft ASM
8	105-3487	1	RH Pivot Shaft ASM
9	3296-53	2	Nut-Lock, NI
10	3256-24	2	Washer-Flat
11	32128-21	2	Nut-HF
12	105-3485	2	Bushing-Eccentric
13	321-9	2	Screw-HH
14	103-2913	2	Damper-Control, Motion
15	106-2181	2	Bellcrank
17	3272-5	2	Pin-Cotter
18	105-3486	2	Stop-Adjustment
19	3217-6	2	Nut-Hex
21	3256-22	12	Washer-Flat
22	321-4	4	Screw-HH
23	3296-42	8	Nut-Lock, NI
24	106-2179	2	Link-Brake
25	1-543017	2	Balljoint-RH

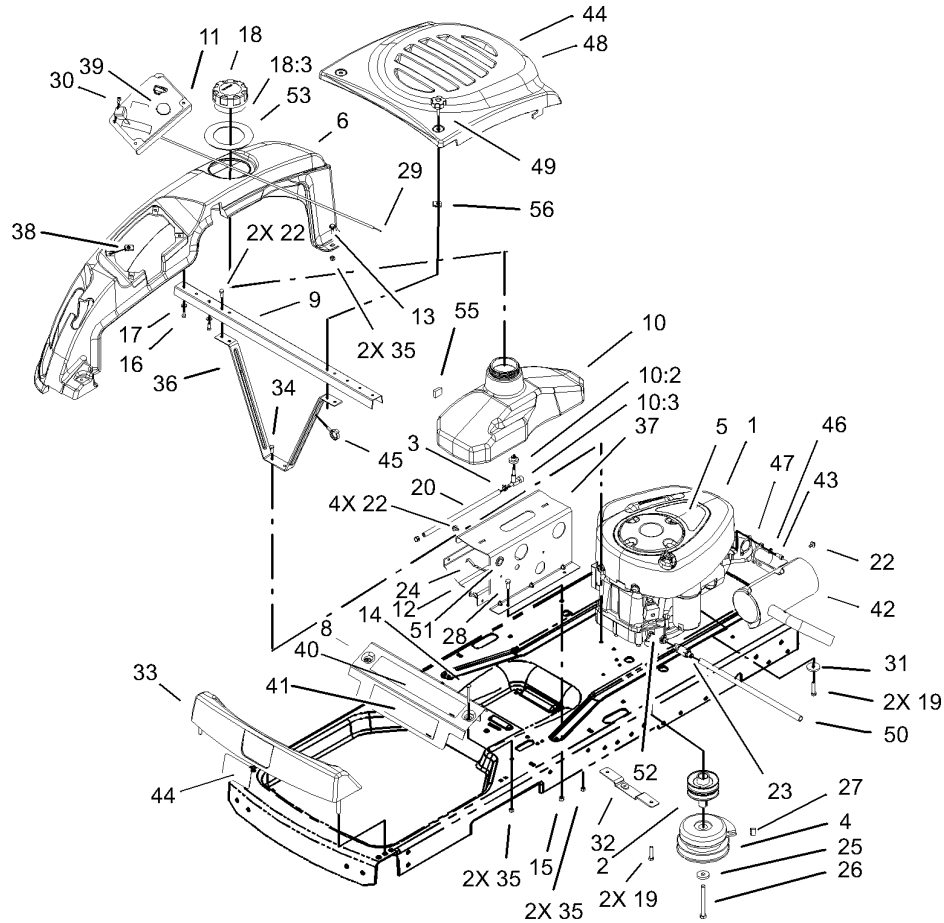
Ref	Part No.	Qty.	Description
26	105-7048	2	Rod-Hydro
27	3219-2	2	Nut-Hex
28	322-6	2	Screw-HH
29	32128-20	4	Nut-HF
30	106-2242	2	Handle ASM
30:2	1-633257	1	Grip-Control, Motion
31	105-3469	2	Spring-Compression
32	106-2214	4	Bolt-Shoulder
33	105-3465	2	Spring-Compression
34	37-8771	4	Bolt-Shoulder
35	3296-2	2	Nut-Lock
36	3274-52	2	Screw-HSH
37	106-8742	2	Decal
38	32128-25	2	Nut-HF



Hydro and Belt Drive Assembly

Ref	Part No.	Qty.	Description
1	105-3491	1	Hydrostat - RH
2	105-3492	1	Hydrostat - LH
3	106-2174	2	V-Belt
4	95-3805	2	Spring
5	105-3438	2	Tab-Locking
6	3234-13	2	Screw-HHF
7	105-7047	2	Arm-Idler
8	106-2176	2	Pulley-Idler
9	32128-25	1	Nut-HF
10	37-8770	2	Bolt-Shoulder
11	95-8868-03	2	Tube-Stop-Black
12	106-2170-01	1	Hydro Mount ASM
13	106-7003	2	Rear Wheel ASM
14	3296-42	2	Nut-Lock, NI
15	3210-5	2	Screw-HH
16	322-20	4	Screw-HH
17	322-13	4	Screw-HH
18	3256-23	24	Washer-Flat
19	3296-29	16	Nut-Lock, NI
20	322-7	4	Screw-HH
21	5-4460	5	Washer-Pivot
22	106-7001	2	Washer-Wheel
23	105-3473	1	Stop - Clutch
24	322-9	4	Screw-HH

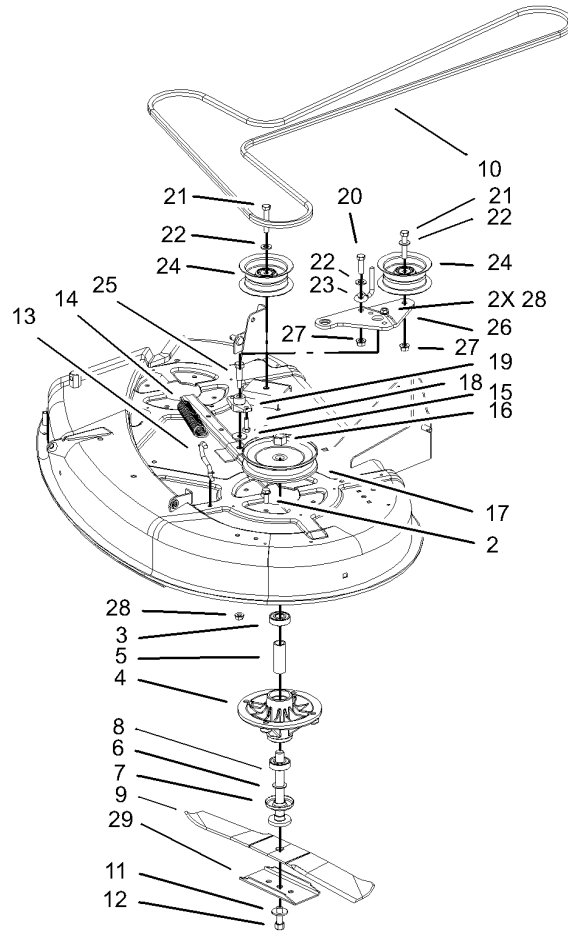
Ref	Part No.	Qty.	Description
25	322-4	8	Screw-HH
26	105-7049	1	Bracket-Spring
27	105-7046	1	Bracket-Spring
28	105-7039-01	2	Support-Hydro
29	106-2189	1	Arm - Bypass, RH
30	106-2192	1	Arm - Bypass, LH
31	106-2214	2	Bolt-Shoulder
32	106-6987-03	2	Hub-Machined
33	71-4450	8	Bolt-Lug
34	106-7002	2	Vent Hose ASM
34:1	107-1701	2	Cap Vent ASM
35	3256-3	2	Washer-Flat



Engine Assembly

Ref	Part No.	Qty.	Description
1		1	Engine-14 Hp Briggs And Stratton Model No. 280H07-0166-E1
2	105-3472	1	Pulley-Engine
3	2412-98	2	Clamp
4	105-3462	1	Clutch-Electric
5	106-2187	1	Decal-Engine, 14 Hp
6	106-2161	1	Cover-Side, RH
7	106-2162	1	Cover-Side, LH
8	106-2164-03	1	Bracket-Support, Front
9	106-2165-03	1	Bracket-Support, Rear
10	105-3464	1	Gas Tank ASM
10:2	46-6560	1	Bushing
10:3	104048	1	Valve-Fuel
11	106-2167-03	1	Panel-Control
12	105-3453-03	1	Plate-Support
13	11-9030	2	Screw-Shoulder
14	3229-7	2	Screw-CARR
15	3296-29	2	Nut-Lock, NI
16	46-8090	4	Screw-Plastite
17	3256-22	4	Washer-Flat
18	88-3980	1	Gas Cap ASM
18:3	88-4010	1	Gasket-Cap, Gas
19	322-7	4	Screw-HH

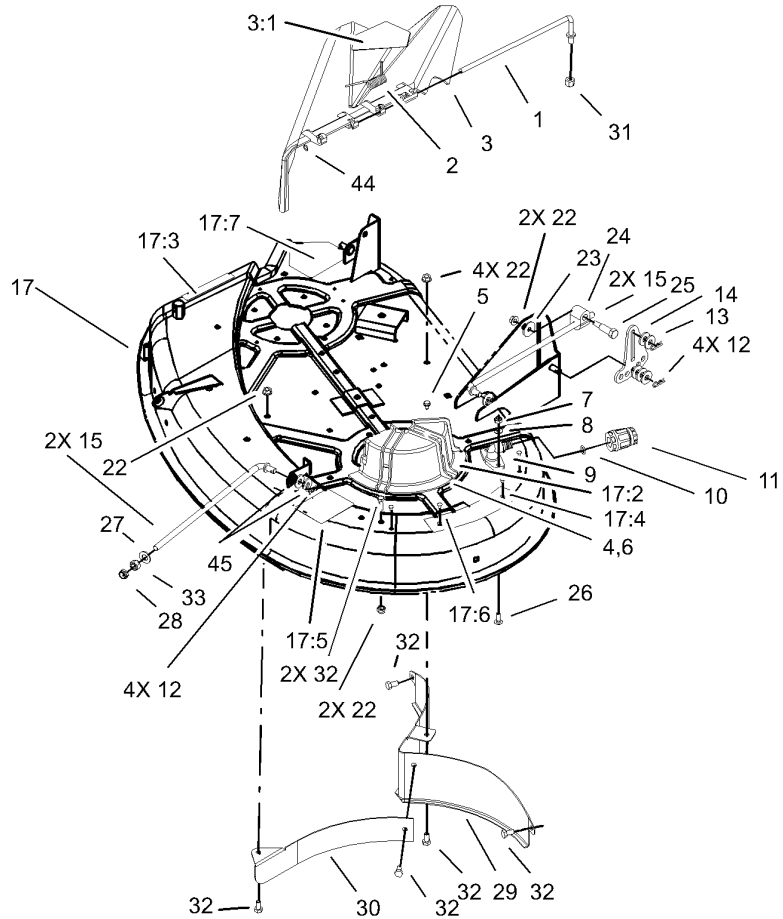
Ref	Part No.	Qty.	Description
20	106-8720	1	Hose-Fuel
22	46-8560	7	Screw-HHF
23	92-6877	1	Valve-Drain, Oil
24	609830	2	Spring
25	112843	1	Washer
26	3212-16	1	Screw-HH
27	98-5023	1	Bumper
28	322-4	2	Screw-HH
29	104-3626	1	Cable-Throttle
30	3258-166	4	Screw-PRH
31	62-7190	2	Spacer-Steel
32	106-2156	1	Plate-Mount, Idler
33	105-6965	1	Footrest ASM
34	321-4	2	Screw-HH
35	3296-42	6	Nut-Lock, NI
36	106-6994-03	1	Brace ASM
37	106-2193-03	1	Plate-Tank
38	107069	4	Clip
39	106-2224	1	Decal-Control
40	106-2225	1	Decal - Instruction
41	106-6990	1	Decal-14-38Z
42	106-7007	1	Muffler
43	3274-10	2	Screw-HSH
44	105-6971	2	Decal



38in Deck Spindle and Belt Drive Assembly

Ref	Part No.	Qty.	Description
2	32144-41	8	Screw-Taptite
3	100-1048	4	Bearing-Ball
4	88-4510	2	Housing-Spindle
5	62-3661	2	Spacer-Bearing
6	80-4380	2	Spacer
7	80-4360	2	Shield-Bearing
8	80-4341	2	Shaft-Spindle
9	88-5140-03	2	Blade
10	106-6998	1	V-Belt
11	3290-465	2	Washer-Belleville
12	26-0671	2	Screw-Blade
13	88-5970	1	Hook-Return, Spring
14	106-2177	1	Spring-Extension
15	5-4460	1	Washer-Pivot
16	3219-6	2	Nut-Hex
17	88-5330	2	Pully-Deck
18	322-4	2	Screw-HH
19	88-4980	1	Bushing-Arm, Idler
20	323-7	1	Screw-HH
21	323-10	2	Screw-HH
22	3256-24	3	Washer-Flat
23	88-5070	1	Guide-Idler, Belt
24	88-5630	2	Pulley-Idler, Flat
25	7-0030	1	Bolt-Shoulder

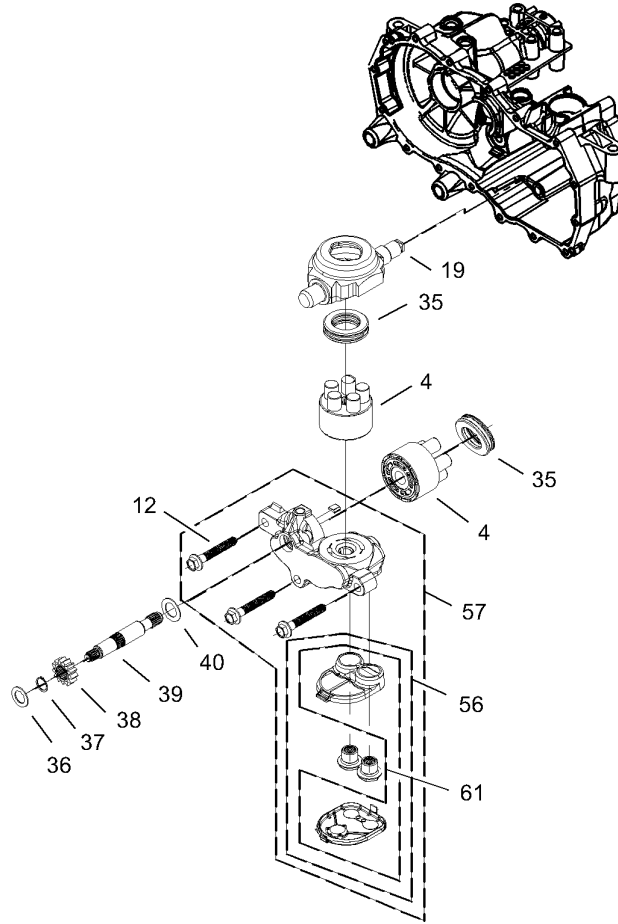
Ref	Part No.	Qty.	Description
26	106-6995-01	1	Arm- Idler
27	32128-21	2	Nut-HF
28	32128-25	3	Nut-HF
29	80-0510-03	2	Stiffener-Blade



38in Deck Assembly

Ref	Part No.	Qty.	Description
1	95-1661	1	Rod-Pivot
2	57-6950	1	Spring
3	93-0317	1	Deflector ASM
3:1	93-1122	1	Decal-Danger
4	88-4030	1	Guide-Belt, LH
5	32104-76	5	Screw
6	88-4020	1	Guide-Belt, RH
7	3296-16	2	Nut-Lock, NI
8	3256-1	2	Washer-Flat
9	95-2747	1	Fitting-Washout
10	46-6290	1	O-Ring
11	95-3270	1	Connector-Hose
12	9335054	8	Pin-Hair
13	80-6990	10	Washer-Hardened
14	88-5570-03	2	Link-Adjusting, HOC
15	105-3437	4	Rod-Hanger
17	106-8730	1	38In Deck ASM
17:2	68-3660	1	Decal-Danger, Shield
17:3	68-3650	1	Decal-Danger, Deflector
17:4	79-3140	1	Decal-Danger
17:5	105-7015	1	Decal-Routing, Belt
17:6	3290-282	4	Rivet-Pop
17:7	93-1122	1	Decal-Danger
22	32128-25	9	Nut-HF

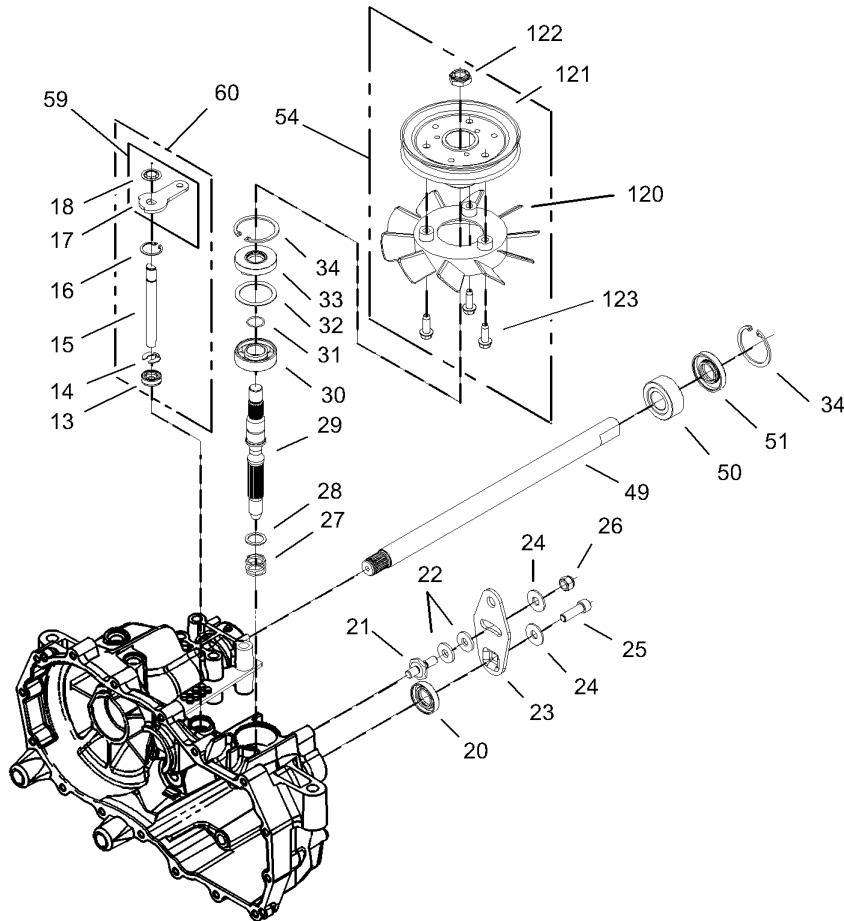
Ref	Part No.	Qty.	Description
23	5-4460	2	Washer-Pivot
24	88-4230	2	Trunnion-HOC
25	7-0030	2	Bolt-Shoulder
26	3229-1	2	Screw-CARR
27	3256-25	2	Washer-Flat
28	3296-38	2	Nut-Lock, NI
29	106-7030-03	1	Baffle-Rear
30	106-7032-03	1	Extension-Baffle
31	3296-39	1	Nut-Lock, NI
32	322-2	7	Screw-HH
33	3219-4	2	Nut-Hex
44	106-8745	1	O-Ring
45	3256-4	8	Washer-Flat



Cylinder Block Assembly RH Hydrostat No. 105-3491

Ref	Part No.	Qty.	Description
4	104-2106	1	Cylinder Block ASM
12	94-6926	3	Bolt
19	104-5304	1	Swashplate-Trunnion
35	94-6922	2	Bearing-Thrust
36	104-5339	1	Washer-Flat
37	104-5340	1	Ring-Retaining
38	104-5316	1	Gear-Pinnion, 13T
39	106-8683	1	Shaft-Motor
40	104-5360	1	Washer-Shaft, Motor
56	106-8689	1	Filter Kit
57	106-8690	1	LH Center Section Filter Kit
61	106-8693	1	Filter Kit

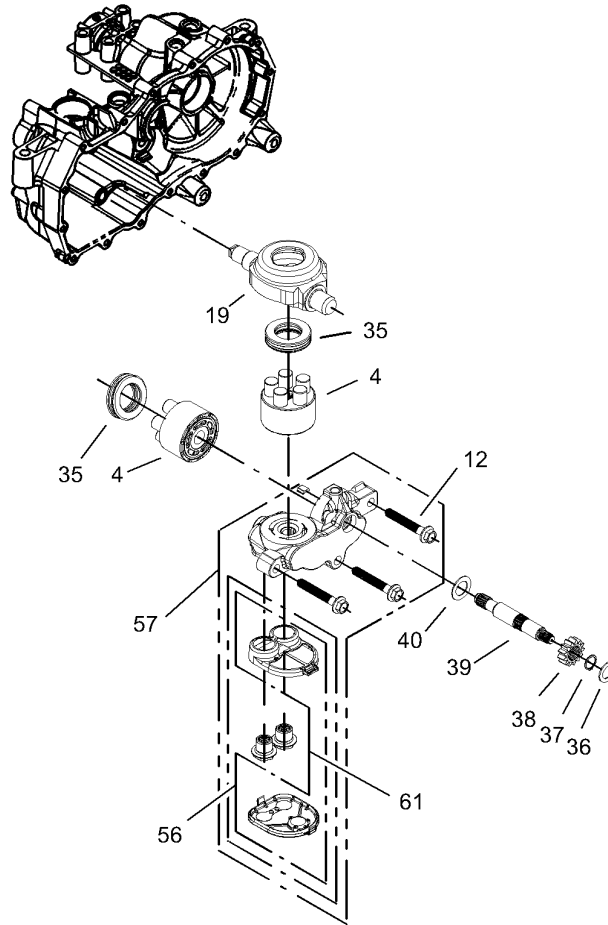
--	--	--	--



Fan and Pulley Assembly RH Hydrostat No. 105-3491

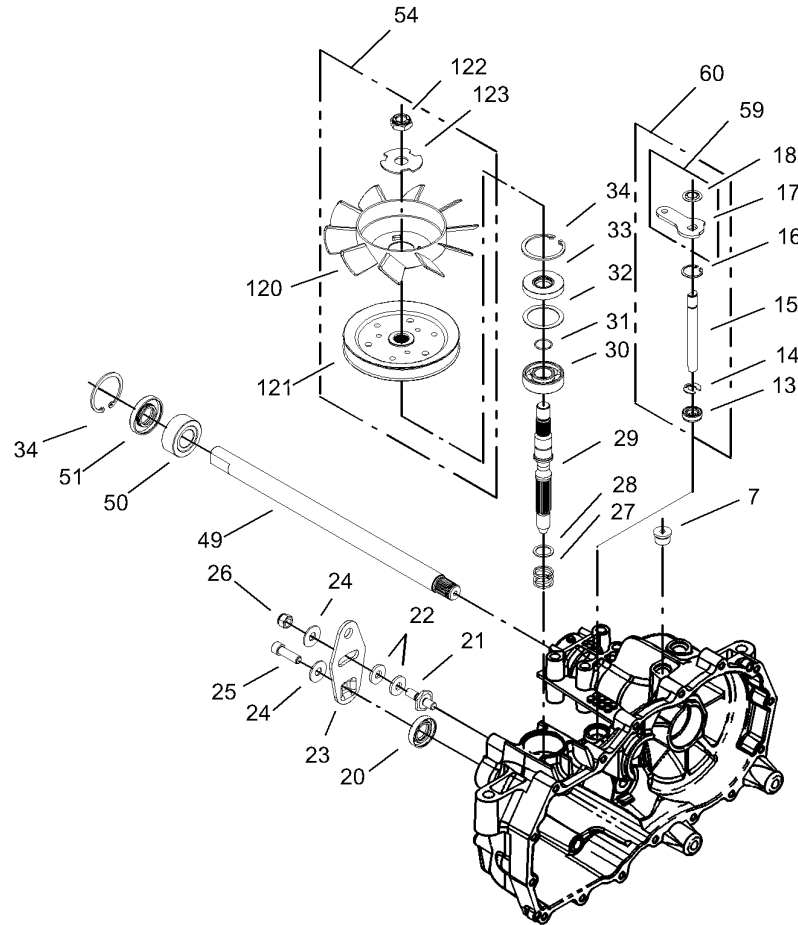
Ref	Part No.	Qty.	Description
13	106-8676	1	Seal-Lip
14	106-8677	1	Ring-Retaining, EXT
15	106-8678	1	Rod-Bypass
16	106-8679	1	Ring-Retaining, Int
17	106-8680	1	Arm-Bypass
18	106-8681	1	Ring-Retaining, EXT
20	104-5313	1	Seal-Lip
21	104-2116	1	Stud
22	105-1873	2	Puck-Friction
23	106-8747	1	Arm-Control
24	5-4460	2	Washer-Pivot
25	106-8682	1	Screw-Sh
26	105-1872	1	Nut
27	94-1936	1	Spring-Block
28	94-1937	1	Washer-Thrust, Block
29	104-5306	1	Shaft-Input
30	104-5311	1	Bearing-Ball
31	104-5307	1	Ring-Retaining
32	104-5308	1	Spacer
33	104-5310	1	Seal-Lip
34	104-5309	2	Ring-Retaining
49	106-8685	1	Axle
50	104-5321	1	Bearing-Sleeve, Outboard
51	104-5322	1	Seal-Lip

Ref	Part No.	Qty.	Description
54	105-1928	1	Fan Pulley Kit
59	106-8691	1	Bypass Arm Kit
60	106-8692	1	Bypass Arm/Rod Kit
120	105-1927	1	Fan
121	105-1896	1	Pulley
122	105-1875	1	Nut-Lock
123	104-2120	3	Screw



Cylinder Block Assembly LH Hydrostat No. 105-3492

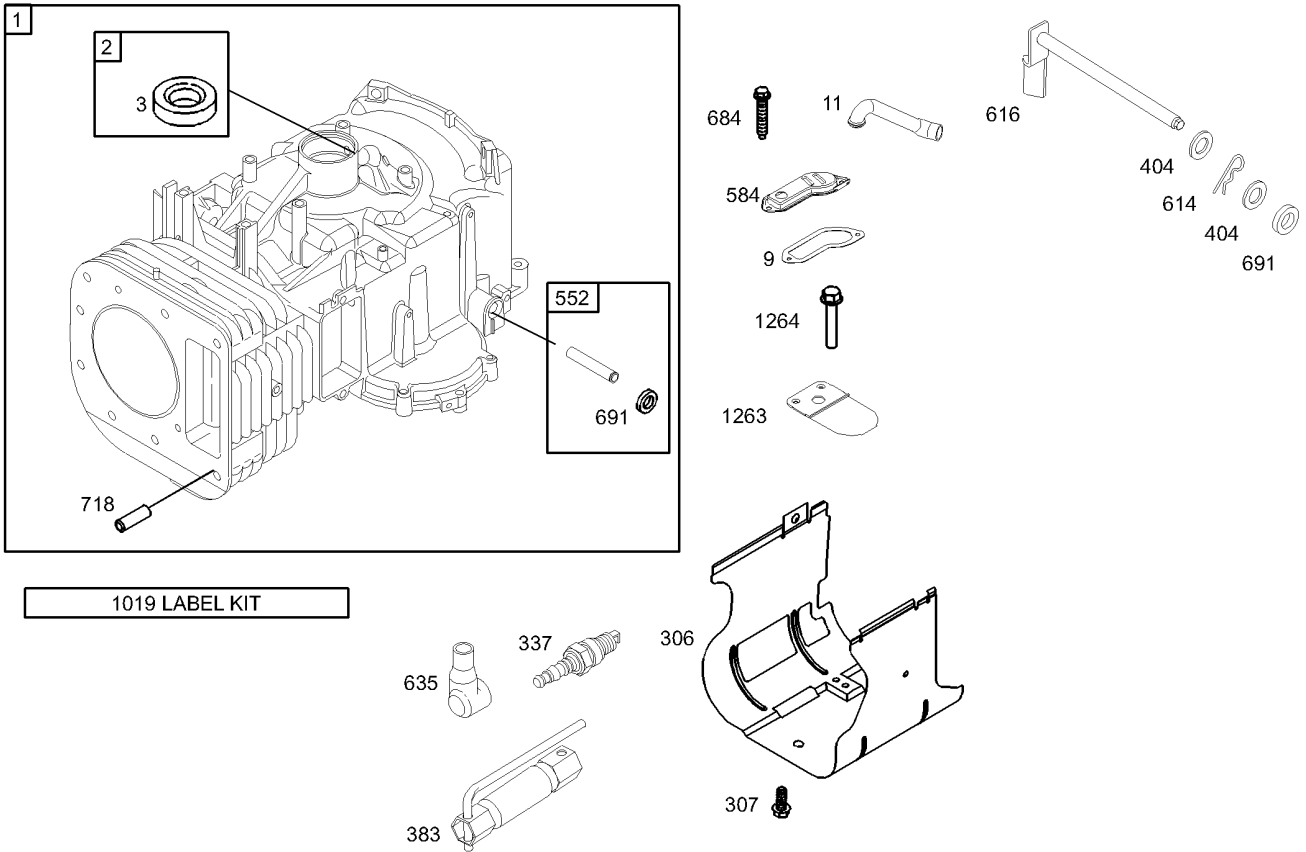
Ref	Part No.	Qty.	Description
4	104-2106	1	Cylinder Block ASM
12	94-6926	3	Bolt
19	104-5304	1	Swashplate-Trunnion
35	94-6922	2	Bearing-Thrust
36	104-5339	1	Washer-Flat
37	104-5340	1	Ring-Retaining
38	104-5316	1	Gear-Pinion, 13T
39	106-8683	1	Shaft-Motor
40	104-5360	1	Washer-Shaft, Motor
56	106-8689	1	Filter Kit
57	106-8699	1	RH Center Section Filter Kit
61	106-8699	1	RH Center Section Filter Kit



Fan and Pulley Assembly LH Hydrostat No. 105-3492

Ref	Part No.	Qty.	Description
7	104-2189	1	Plug-Thread, Straight
13	106-8676	1	Seal-Lip
14	106-8677	2	Ring-Retaining, EXT
15	106-8678	1	Rod-Bypass
16	106-8679	1	Ring-Retaining, Int
17	106-8680	1	Arm-Bypass
18	106-8681	1	Ring-Retaining, EXT
20	104-5313	1	Seal-Lip
21	104-2116	1	Stud
22	105-1873	2	Puck-Friction
23	106-8747	1	Arm-Control
24	5-4460	2	Washer-Pivot
25	106-8682	1	Screw-Sh
26	105-1872	1	Nut
27	106-8747	1	Arm-Control
28	94-1937	1	Washer-Thrust, Block
29	104-5306	1	Shaft-Input
30	104-5311	1	Bearing-Ball
31	104-5307	1	Ring-Retaining
32	104-5308	1	Spacer
33	104-5310	1	Seal-Lip
34	104-5309	2	Ring-Retaining
49	106-8685	1	Axle
50	104-5321	1	Bearing-Sleeve, Outboard

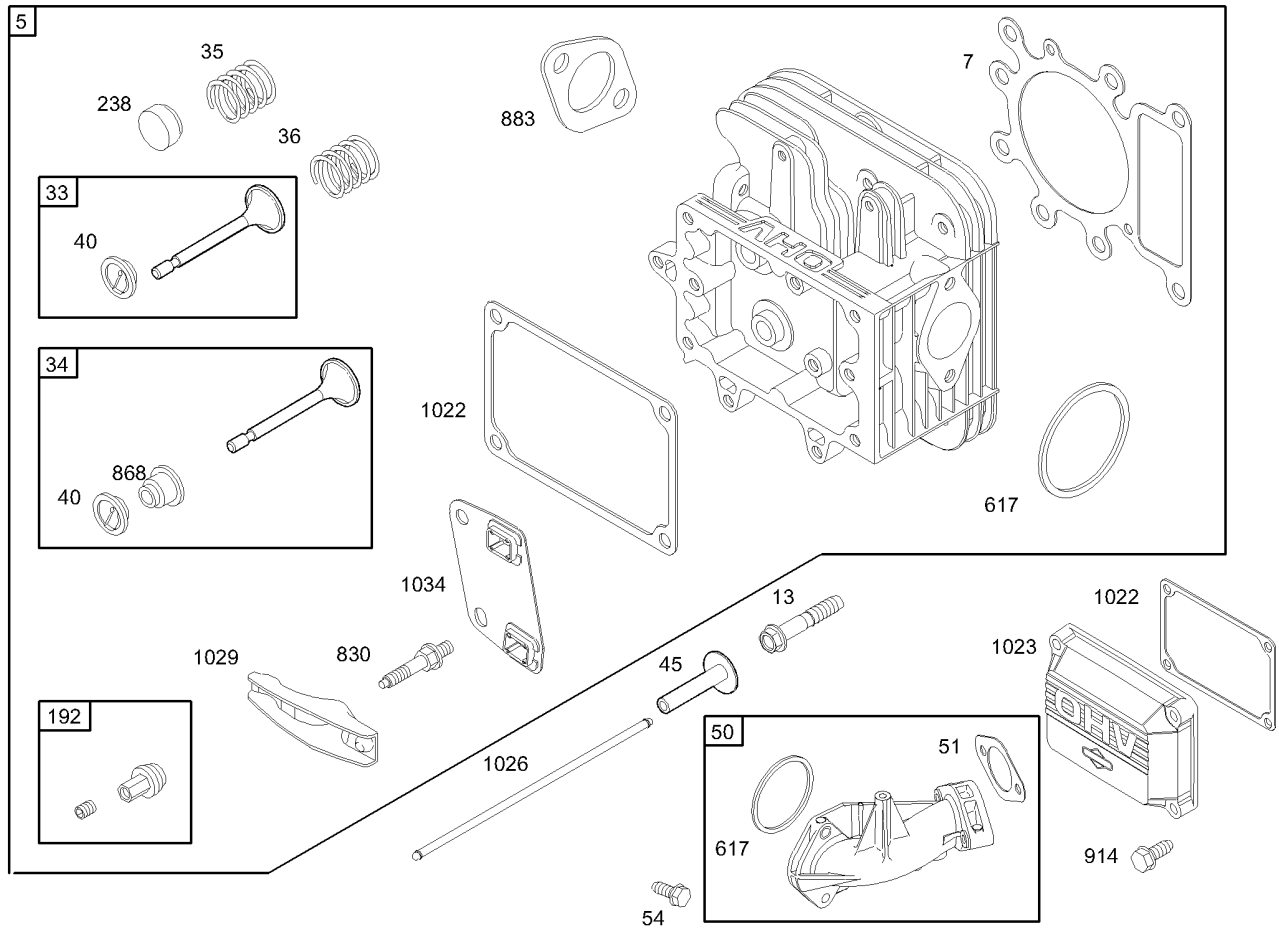
Ref	Part No.	Qty.	Description
51	104-5322	1	Seal-Lip
54	106-8698	1	Fan Pulley Kit
59	106-8691	1	Bypass Arm Kit
60	106-8692	1	Bypass Arm/Rod Kit
120	110-8566	1	Fan-6 Inch, 10 Blade
121	104-1754	1	Pulley
122	105-1875	1	Nut-Lock
123	104-2120	3	Screw



Assemblies include all parts shown in frames.

Cylinder Assembly Briggs and Stratton 280H07-0166-E1

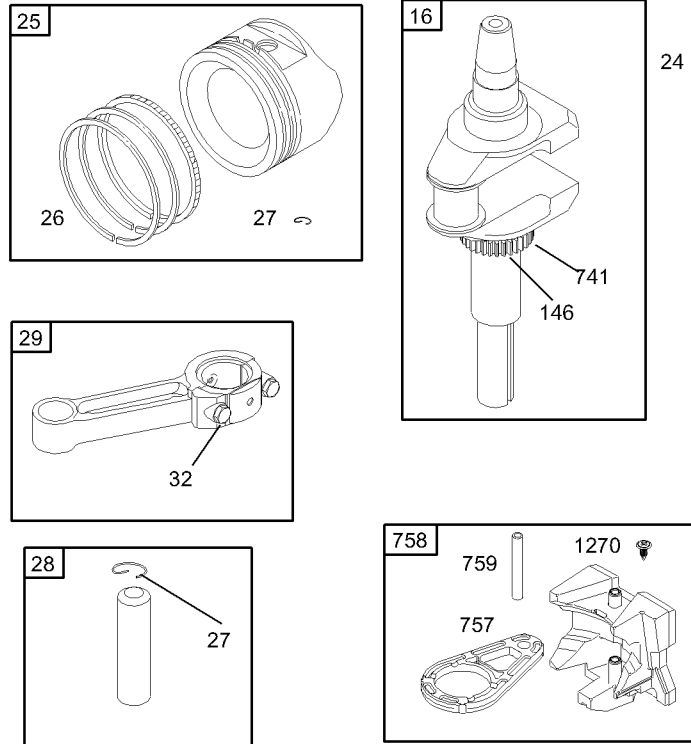
Ref	Part No.	Qty.	Description
1	697132	1	Cylinder ASM
2	399265	1	Bushing And Seal Kit
3	391086	1	Seal-Oil
4	697109	1	Gasket-Breather
5	697113	1	Tube-Breather
6	697761	1	Short Block
7	697107	1	Shield-Cylinder
8	691003	1	Screw
9	691043	1	Spark Plug
10	89838	1	Wrench-Plug, Spark
11	691691	1	Washer
12	697144	1	Bushing-Crank, Governor
13	697112	1	Cover-Passage, Breather
14	691620	1	Pin-Cotter
15	692012	1	Crank-Governor
16	691909	1	Boot-Spark Plug
17	697157	1	Screw
18	692407	1	Seal-Shaft, Governor
19	690959	1	Pin-Locating
20	697143	1	Label Kit
21	697124	1	Reed-Breather
22	697104	1	Screw



Cylinder Head Assembly Briggs and Stratton 280H07-0166-E1

Ref	Part No.	Qty.	Description
75	698148	1	Head-Cylinder
377	273280	1	Gasket-Head, Cylinder
713	690360	1	Screw
733	695760	1	Valve-Exhaust
734	695761	1	Valve-Intake
735	691279	1	Spring-Valve
736	691279	1	Spring-Valve
740	691752	1	Retainer-Valve
745	690564	1	Tappet-Valve
750	690193	1	Manifold-Intake
451	692137	1	Gasket-Intake
54	691148	1	Screw
7192	691986	1	Adjustor-Arm, Rocker
7238	691843	1	Cap-Valve
5617	692138	1	Seal-O Ring
7830	691095	1	Stud-Arm, Rocker
4868	690968	1	Seal-Valve
7883	692236	1	Gasket-Exhaust
7914	690960	1	Screw
371022	272475	1	Gasket-Cover, Rocker
71023	692492	1	Cover-Rocker

Ref	Part No.	Qty.	Description
71026	692003	1	Rod-Push
7	692011	1	Rod-Push
71029	691751	1	Arm-Rocker
71034	690822	1	Guide-Rod, Push

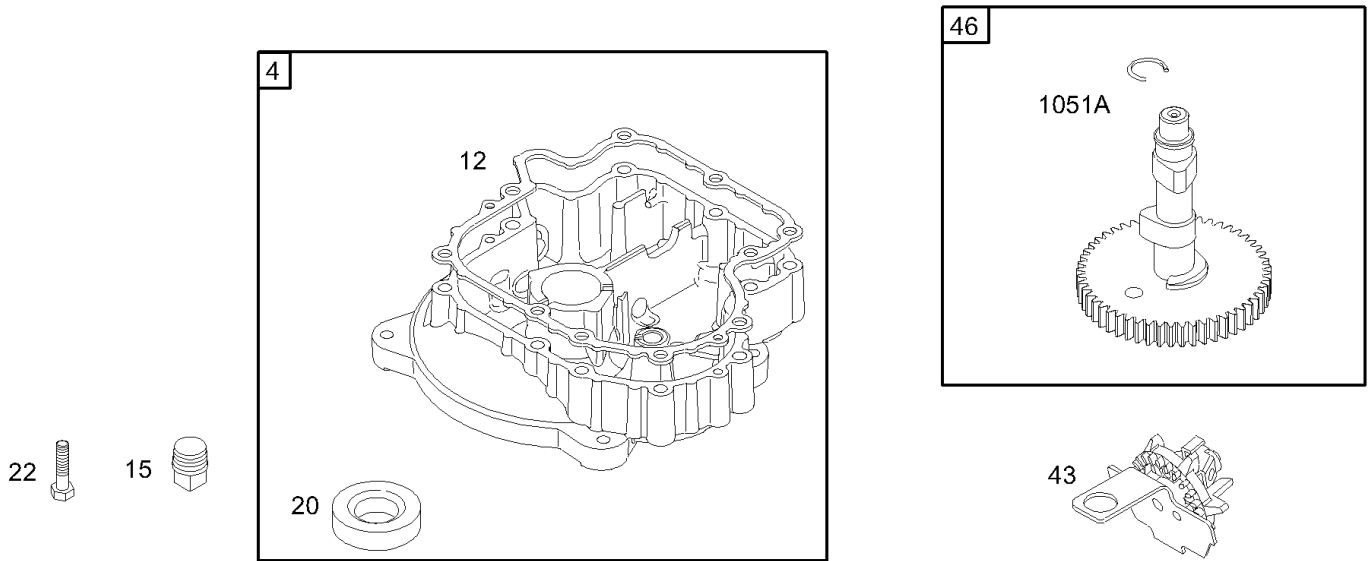


Assemblies include all parts shown in frames.

Crankshaft Assembly Briggs and Stratton 280H07-0166-E1

Ref	Part No.	Qty.	Description
16	697127	1	Crankshaft
24	222698	1	Key
25	698371	1	Piston ASM (Standard)
7	698393	1	Piston ASM (.010 Oversize)
7	698394	1	Piston ASM (.020 Oversize)
7	698395	1	Piston ASM (.030 Oversize)
26	697375	1	Ring Set (Standard)
7	698396	1	Ring Set (.010 Oversize)
7	698397	1	Ring Set (.020 Oversize)
7	698398	1	Ring Set (.030 Oversize)
27	698469	1	Lock-Pin, Piston
28	697099	1	Pin-Piston (STD)
29	697126	1	Rod-Connecting (Standard)
7	697263	1	Rod-Connecting (.020In Undersize)
32	692852	1	Screw
146	691639	1	Key-Timing
741	697128	1	Gear-Timing
757	697607	1	Link-Counterweight
758	697134	1	Counterweight
759	697392	1	Pin-Counterweight
1270	697156	1	Plug-Counterweight, Avs

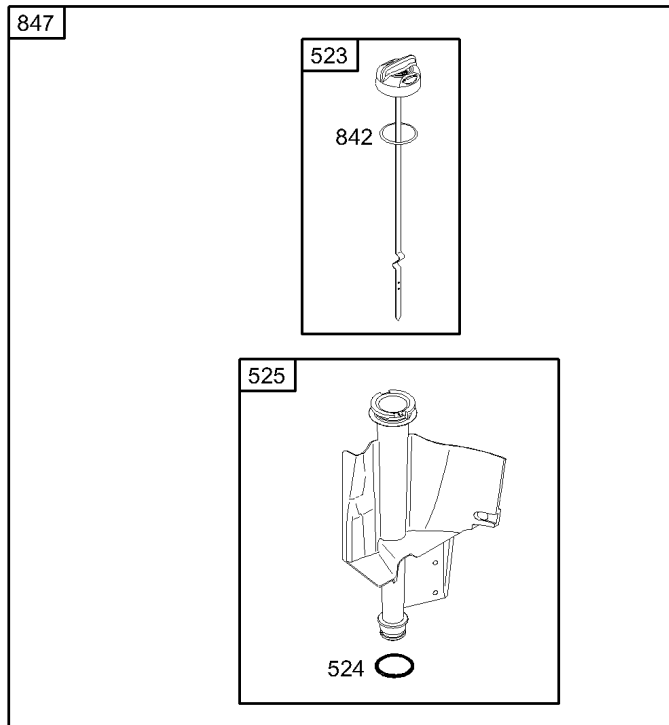
--	--	--	--



Assemblies include all parts shown in frames.

Crankcase Assembly Briggs and Stratton 280H07-0166-E1

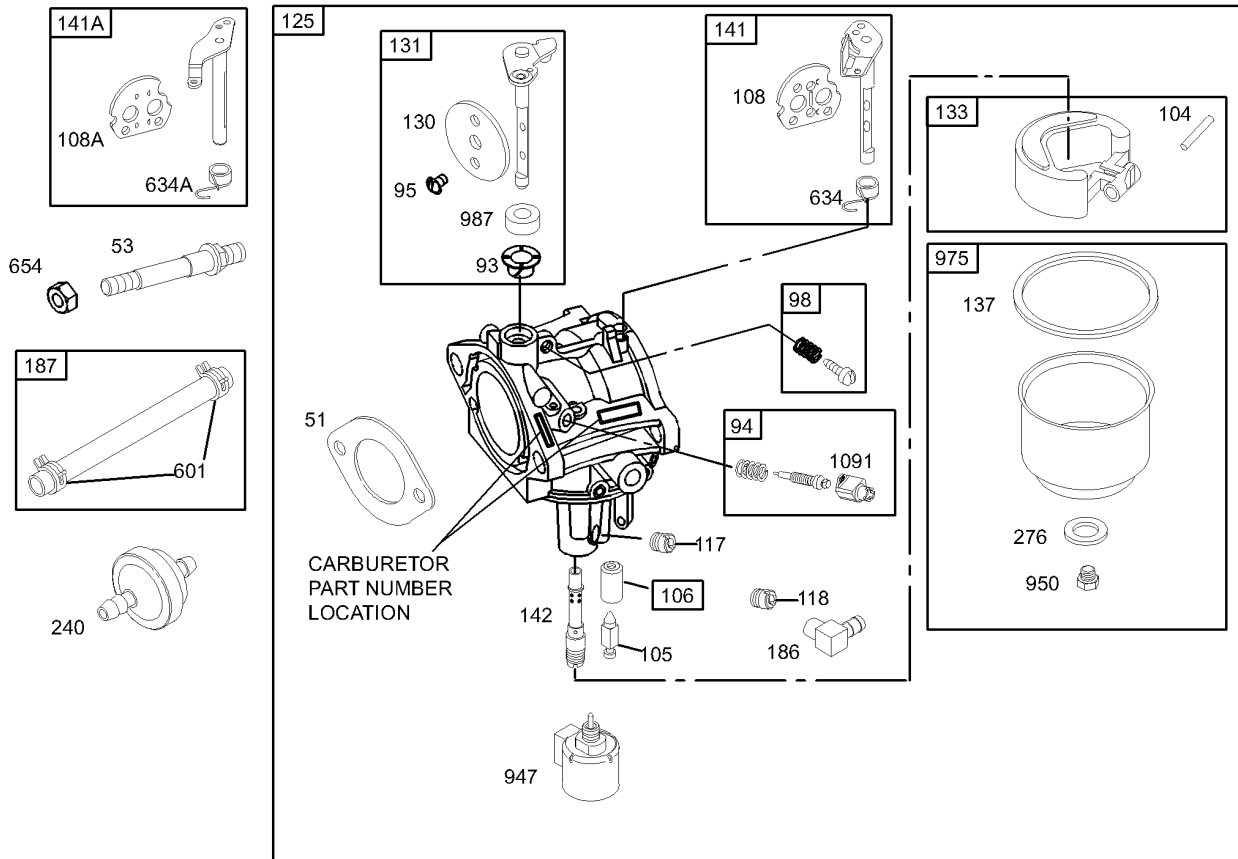
Ref	Part No.	Qty.	Description
④	697106	1	Sump-Engine
③④⑦12	697110	1	Gasket-Crankcase
⑦15	690946	1	Plug-Drain, Oil
③④⑦20	690947	1	Seal-Oil
⑦22	692125	1	Screw
⑦43	691968	1	Slinger-Governor,Oil
⑦46	698577	1	Camshaft
⑦1051A	698802	1	Ring-Retaining



Assemblies include all parts shown in frames.

Oil Filter, Tube and Pump Assembly Briggs and Stratton 280H07-0166-E1

Ref	Part No.	Qty.	Description
⑦523	697086	1	Dipstick
③⑦524	691032	1	Seal-O Ring
⑦525	697184	1	Tube-Dipstick
③⑦842	691031	1	Seal-O Ring
⑦847	697611	1	Dipstick And Tube ASM

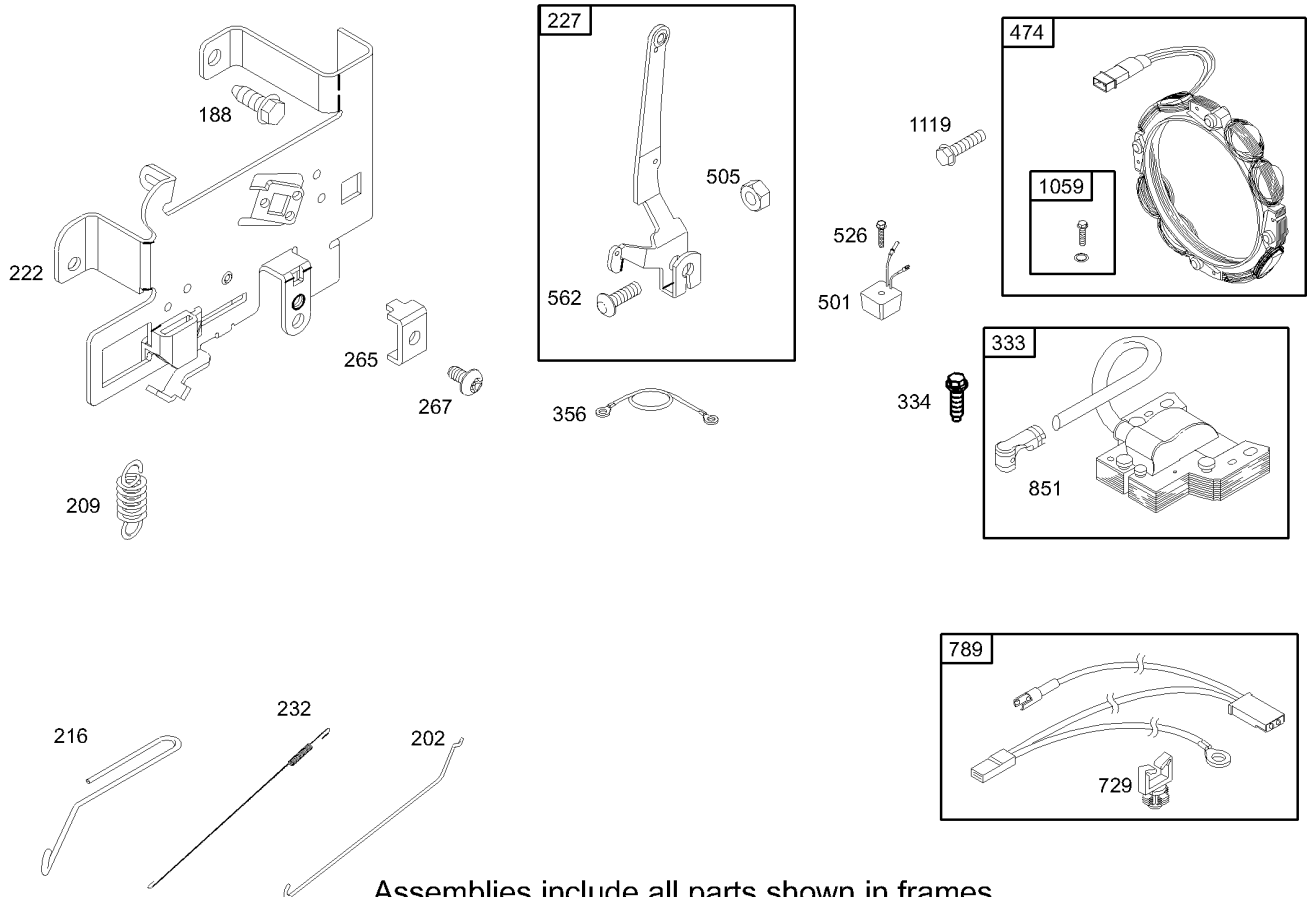


Assemblies include all parts shown in frames.

Carburetor Assembly Briggs and Stratton 280H07-0166-E1

Ref	Part No.	Qty.	Description
5 4 51	692137	1	Gasket-Intake
5 6			
7 53	690227	1	Stud
5 7 93	690602	1	Bushing-Shaft, Throttle
7 94	498030	1	Idle Mixture Kit
5 7 95	691636	1	Screw
7 98	495800	1	Idle Speed Kit
5 7 104	690525	1	Pin-Hinge, Carburetor Float
5 7 105	231855	1	Valve-Needle, Float
5 7 106	690577	1	Seat-Inlet
7 108	690464	1	Valve-Choke
7 108A	692344	1	Valve-Choke
5 7 117	694352	1	Jet-Main (STD)
7 118	697228	1	Jet-Main (High Altitude)
7 125	697190	1	Carburetor
7 130	691750	1	Valve-Throttle
7 131	494379	1	Throttle Shaft Kit
7 133	494381	1	Float-Carburetor
5 6 137	281165	1	Gasket-Bowl, Float
7			
7 141	495097	1	Choke Shaft Kit
7 141A	495931	1	Choke Shaft Kit
5 7 142	697140	1	Nozzle-Carburetor
7 186	692317	1	Connector-Hose

Ref	Part No.	Qty.	Description
7 187	697098	1	Line-Fuel
7 240	394358	1	Filter-Fuel
5 6 276	692255	1	Washer-Sealing
7			
7 601	95162	1	Clamp-Hose
5 7 634	690801	1	Spring / Seal ASM
5 7 634A	690802	1	Spring And Seal ASM
7 654	690958	1	Nut
7 947	694393	1	Solenoid-Fuel
7 950	691657	1	Screw
7 975	495933	1	Bowl-Float
5 7 987	691326	1	Seal-Shaft, Throttle
7 1091	691333	1	Cap-Limiter

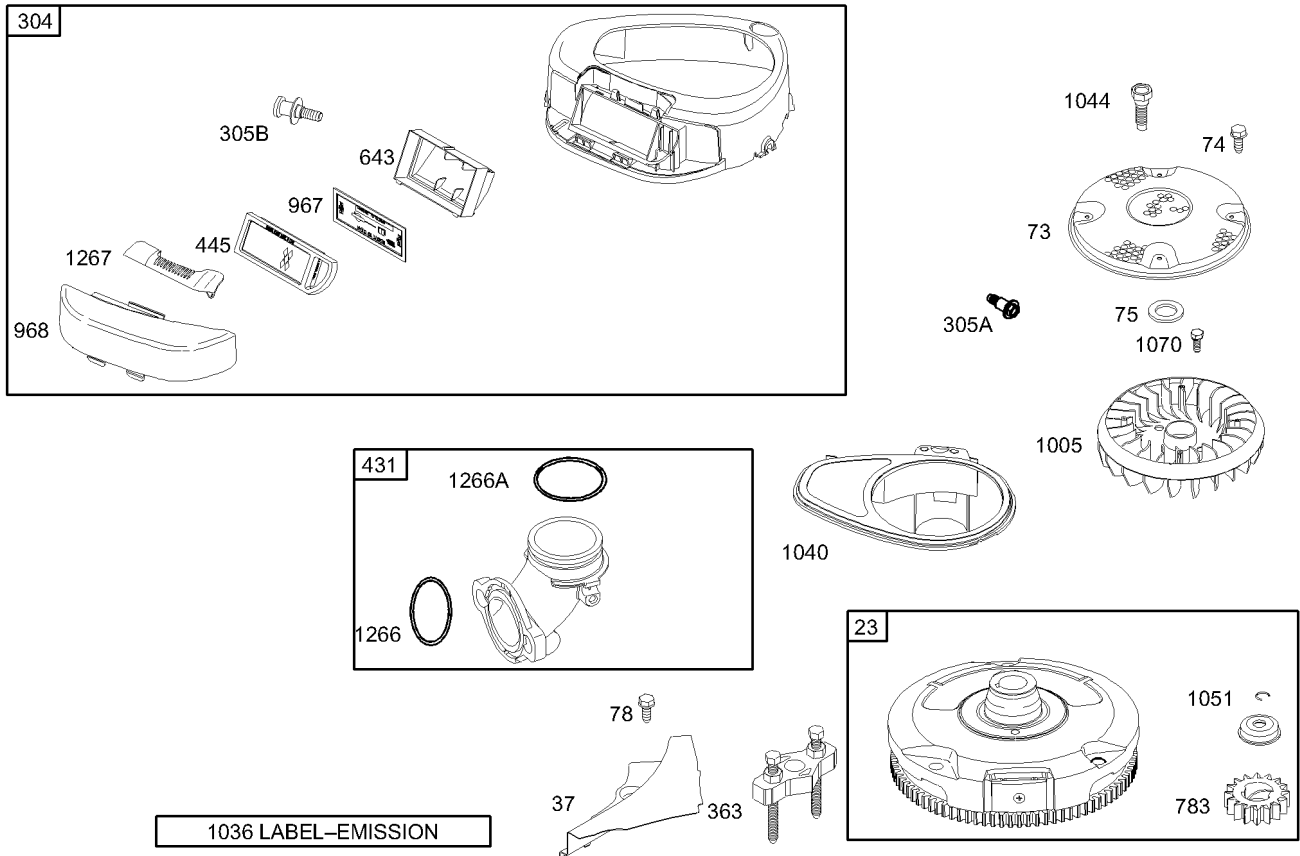


Assemblies include all parts shown in frames.

Governor Assembly Briggs and Stratton 280H07-0166-E1

Ref	Part No.	Qty.	Description
188	691693	1	Screw
202	691841	1	Link-Governor, Mechanical
209	692208	1	Spring-Governor
216	691840	1	Link-Choke
222	694042	1	Bracket-Control
227	691374	1	Lever-Control, Governor
232	691842	1	Spring-Link, Governor
265	691024	1	Clamp-Casing
267	695134	1	Screw
333	492341	1	Armature-Magneto
334	691061	1	Screw
356	697089	1	Stop-Wire
474	696457	1	Alternator
	696458	1	Alternator
501	691188	1	Regulator
501	691185	1	Regulator
505	691251	1	Nut
526	697088	1	Screw
	697348	1	Screw
562	691119	1	Screw
729	691335	1	Clip-Wire
789	692037	1	Wiring-Harness
851	692424	1	Terminal-Spark Plug
1059	698516	1	Screw And Washer Kit

Ref	Part No.	Qty.	Description
1119	691183	1	Screw

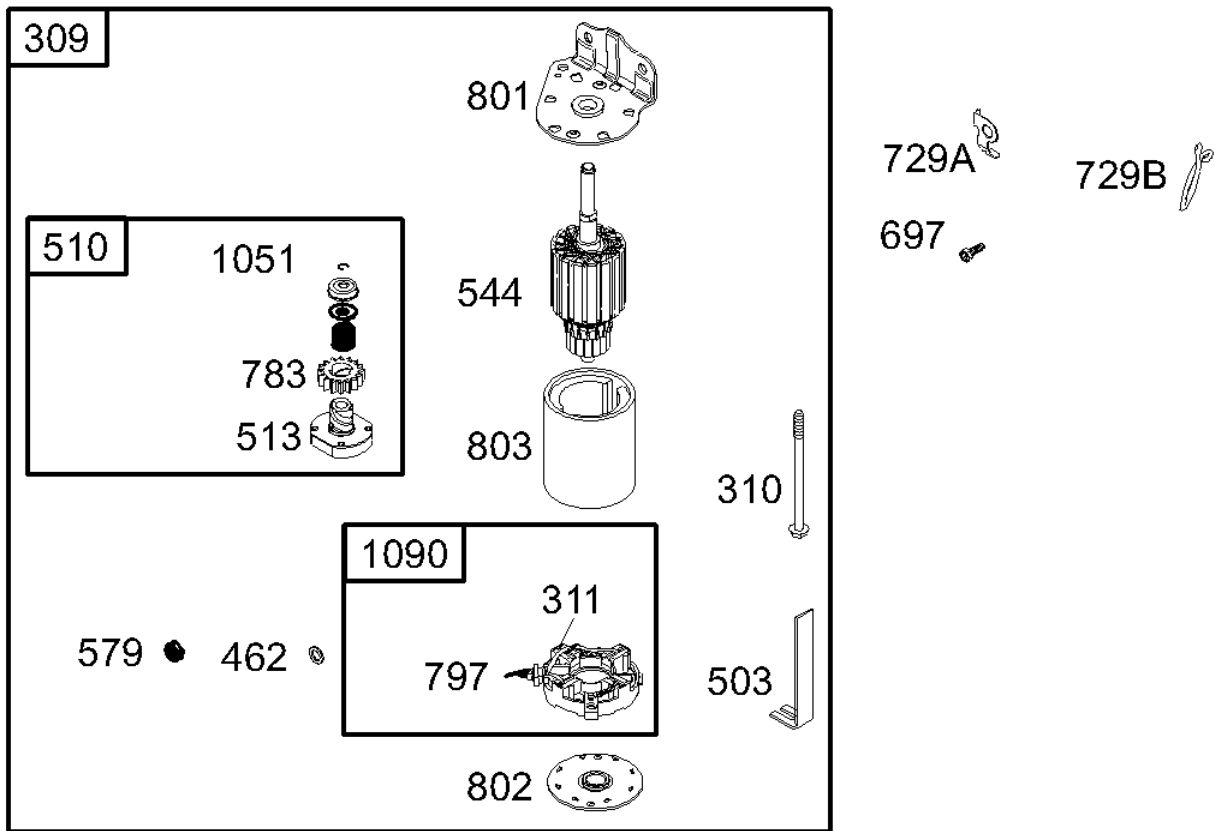


Assemblies include all parts shown in frames.

Blower Housing Assembly Briggs and Stratton 280H07-0166-E1

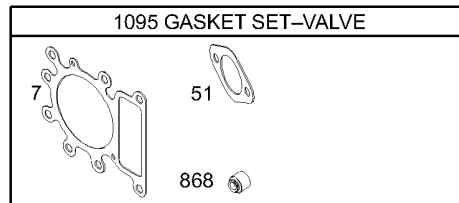
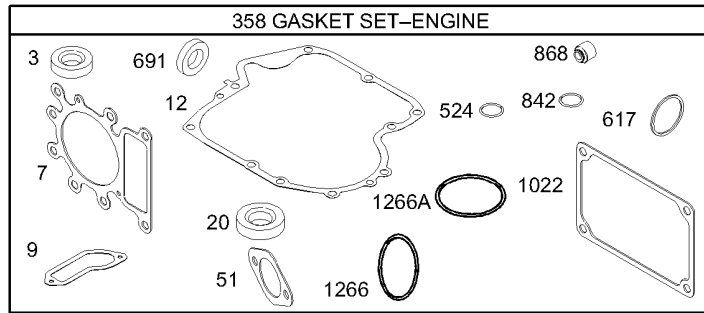
Ref	Part No.	Qty.	Description
23	693556	1	Flywheel
37	697352	1	Guard-Flywheel
73	697384	1	Screen-Rotating
74	697897	1	Screw
75	690582	1	Washer-Flywheel
78	691003	1	Screw
304	698599	1	Housing-Blower
305	697102	1	Screw
305A	697103	1	Screw
363	19203	1	Puller-Flywheel
431	697122	1	Elbow-Intake
445	698083	1	Filter-Cartridge, Air Cleaner
643	698401	1	Retainer-Filter, Air
783	693713	1	Gear-Pinion
967	697015	1	Filter-Cleaner, Pre
968	698403	1	Cover-Cleaner, Air
1005	697853	1	Fan-Flywheel
1036	695700	1	Label-Emission
1040	698368	1	Plate-Trim
1044	691658	1	Screw-Crankshaft Extension
1051	691265	1	Ring-Retaining
1070	690372	1	Screw
1266	691917	1	Seal-O Ring
1266A	697123	1	Seal-O Ring

Ref	Part No.	Qty.	Description
1267	697419	1	Latch-Housing, Blower



Starter Assembly Briggs and Stratton Model 280H07-0166-E1

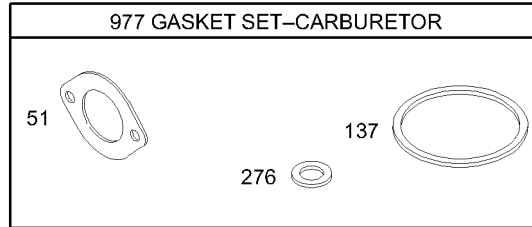
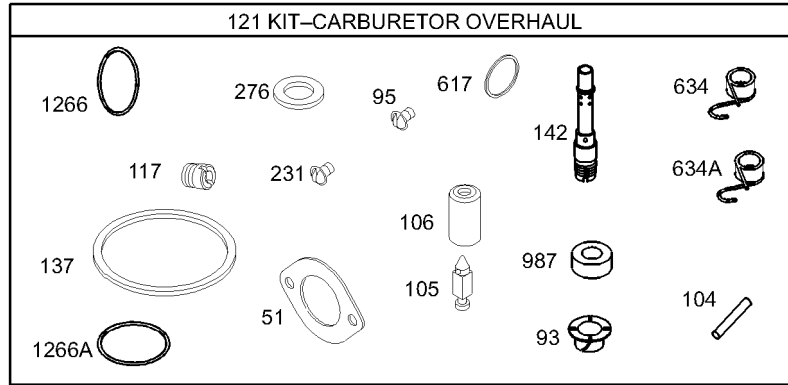
Ref	Part No.	Qty.	Description
309	693551	1	Motor-Starter
310	690323	1	Bolt
311	497608	1	Brush Set
462	691261	1	Washer
503	691532	1	Strap-Starter
510	693699	1	Drive-Starter
513	692024	1	Clutch-Drive
544	692034	1	Armature-Starter
579	691029	1	Nut
697	690372	1	Screw
729A	691224	1	Clip-Wire
729B	694123	1	Clip-Wire
783	693713	1	Gear-Pinion
797	693167	1	Nut
801	691283	1	Cap-Drive
802	691286	1	Cap-End
803	693757	1	Housing-Starter
1051	691265	1	Ring-Retaining
1090	691293	1	Retainer-Brush



Assemblies include all parts shown in frames.

Gasket Assembly Briggs and Stratton Model 280H07-0166-E1

Ref	Part No.	Qty.	Description
373	391086	1	Seal-Oil
377	273280	1	Gasket-Head, Cylinder
379	697109	1	Gasket-Breather
3712	697110	0	Gasket-Crankcase
3720	690947	1	Seal-Oil
451	692137	1	Gasket-Intake
358	697151	1	Engine Gasket Set
4617	692138	1	Seal-O Ring
37524	691032	1	Seal-O Ring
37691	692407	1	Seal-Shaft, Governor
37842	691031	1	Seal-O Ring
4868	690968	1	Seal-Valve
371022	272475	1	Gasket-Cover, Rocker
71095	691581	1	Valve Gasket Set
351266	691917	1	Seal-O Ring
351266A	697123	1	Seal-O Ring



Assemblies include all parts shown in frames.

Carburetor Overhaul Kit Assembly Briggs and Stratton 280H07-0166-E1

Ref	Part No.	Qty.	Description
④51 ⑤⑥	692137	1	Gasket-Intake
⑤793	690602	1	Bushing-Shaft, Throttle
⑤795	691636	1	Screw
⑤7104	690525	1	Pin-Hinge, Carburetor Float
⑤7105	231855	1	Valve-Needle, Float
⑤7106	690577	1	Seat-Inlet
⑤7117	694352	1	Jet-Main (STD)
⑦121	697154	1	Carburetor Overhaul Kit
⑤⑥137 ⑦	281165	1	Gasket-Bowl, Float
⑤7142	697140	1	Nozzle-Carburetor
⑤7231	691636	1	Screw
⑤⑥276 ⑦	692255	1	Washer-Sealing
⑤⑤617 ⑦	692138	1	Seal-O Ring
⑤7634	690801	1	Spring / Seal ASM
⑤7634A	690802	1	Spring And Seal ASM
⑦977	690192	1	Carburetor Gasket Set
⑤7987	691326	1	Seal-Shaft, Throttle
⑤⑤1266 ⑦	691917	1	Seal-O Ring
⑤⑤1266A ⑦	697123	1	Seal-O Ring

NOTES

NOTES

NOTES

