



SL500 Super Lawn Tractor

Model No. 13AP62RP544 - 1B157H20701 and up.

Parts Catalog

Ordering Replacement Parts

To order replacement parts, please supply the part number, the quantity, and the description of each part desired.

Understanding Reference Numbers

Each Identified part in an illustration has a reference number. The reference number for a part also appears in the parts list, along with other information about the part.

This catalog uses two special reference number formats, one to indicate parts in a service assembly and another to indicate the quantity of a given part in an illustration.

Service Assembly Reference Numbers

Parts in service assemblies have reference numbers in the form a:b. The a represents the reference number of the entire service assembly and the b represents a sequential number unique to each part within the service assembly.

For example, a wheel assembly might be identified by reference number 6, the tire by 6:1, the valve by 6:2, and the wheel by 6:3. When you order the assembly identified by reference number 6, you receive all parts identified by reference numbers 6:1, 6:2, and 6:3. However, you may also order any part individually. Reference numbers of this type appear in illustrations and in part lists.

Reference Numbers Indicating Quantity

In an illustration, if a reference number indicates more than one part, the reference number has the form nX y. The n represents the quantity of the part, the X is the multiplication symbol, and the y represents the reference number.

For example, in an illustration, the reference number 2X 37 means that two of the parts identified by reference number 37 are indicated.

Contents

Description	Page	Description	Page
Front and Rear Wheel Assembly 3	Oil Pan and Lubrication Assembly Kohler SV720-0011 20
Deck Lift Arm Assembly 4	Head, Valve and Breather Assembly Kohler SV720-0011 21
Steering Shaft and Front Axle Assembly 5	Ignition and Electrical Assembly Kohler SV720-0011 22
Frame and Battery Assembly 6	Blower Housing and Baffle Assembly Kohler SV720-0011 23
Seat and Fender Assembly 7	Starting System Assembly Kohler SV720-0011 24
Fuel Tank and Hood Assembly 8	Fuel System Assembly Kohler SV720-0011 25
Transmission, Belt and Pulley Assembly 10	Engine Control Assembly Kohler SV720-0011 26
Deck Assembly 12	Air Intake and Filtration Assembly Kohler SV720-0011 27
Spindle Assembly No. 112-6042 14	Exhaust Stud, Gasket and Decal Assembly Kohler SV720-0011 28
Brake and Traction Assembly 15		
Electric Clutch Assembly 16		
Muffler Assembly 17		
Crankshaft Assembly Kohler SV720-0011 18		
Crankcase Assembly Kohler SV720-0011 19		

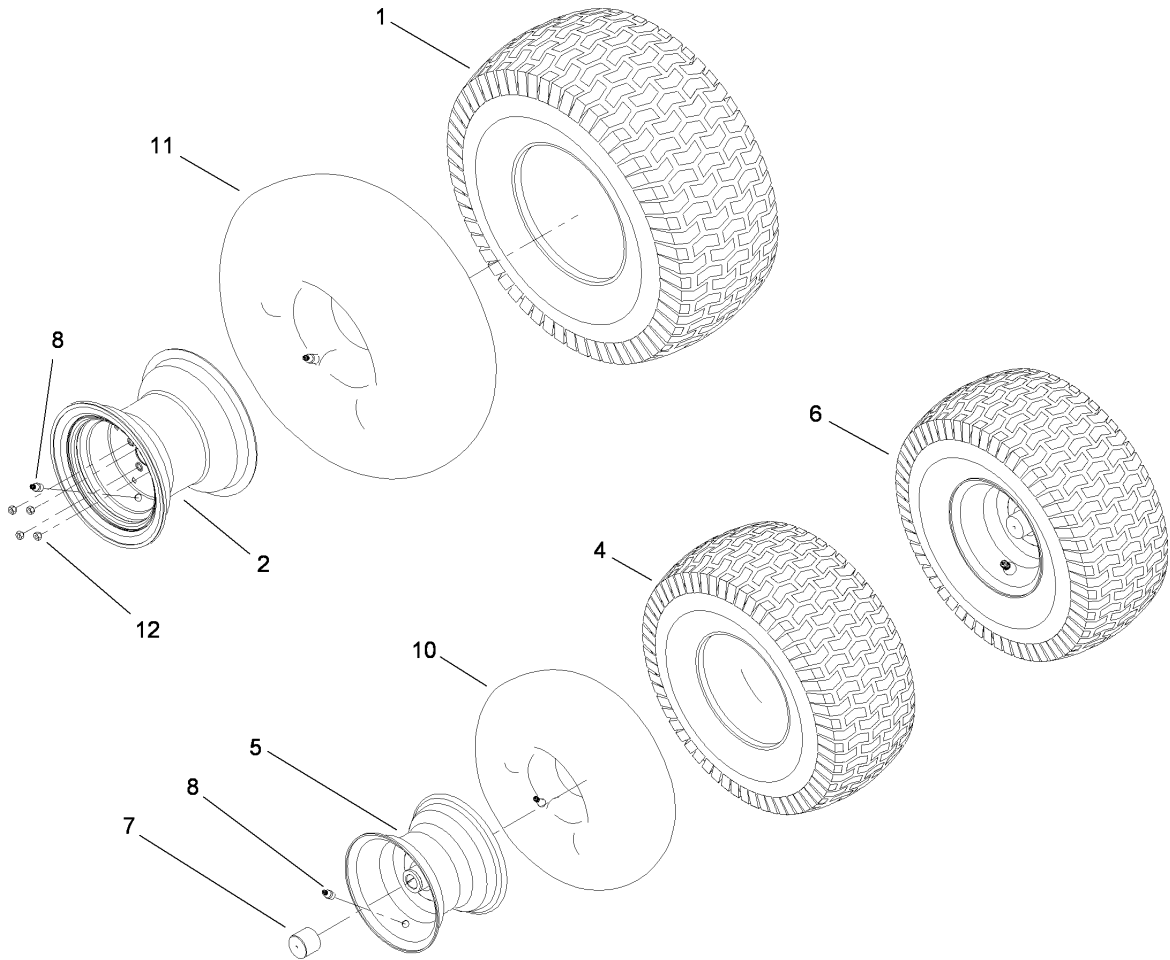
Part Description Abbreviations

Part descriptions in this catalog may include the following abbreviations.

AR. as required	HYD. hydraulic
ASM. assembly	LH. left hand
BBC. blade brake clutch	NI. nylon insert
CARR. carriage	NPTF. national pipe thread fine
DEG. degrees	PFH. phillips flat head
EXT. external	PPH. phillips pan head
FH. flat head	PPHTF. phillips pan head thread forming
GA. gauge	PRH. phillips round head
HD. heavy-duty	PTH. phillips truss head
HF. hex flange	PTO. power-take-off
HH. hex head	RH. right hand
HHF. hex head flange	ROPS. roll-over protection system
HHFTF. hex head flange thread forming	SFH. slotted fillister head
HJ. hex jam	SHH. slotted hex head
HLH. hex lag head	SHWH. slotted hex washer head
HOC. height-of-cut	SPH. slotted pan head
HSBH. hex socket button head	SQH. square head
HSFH. hex socket flat head	SRH. slotted round head
HSH. hex socket head	STD. standard
HWH. hex washer head	TAP. self tapping
HWHTF. hex washer head thread forming	TTH. torx truss head

Footnotes

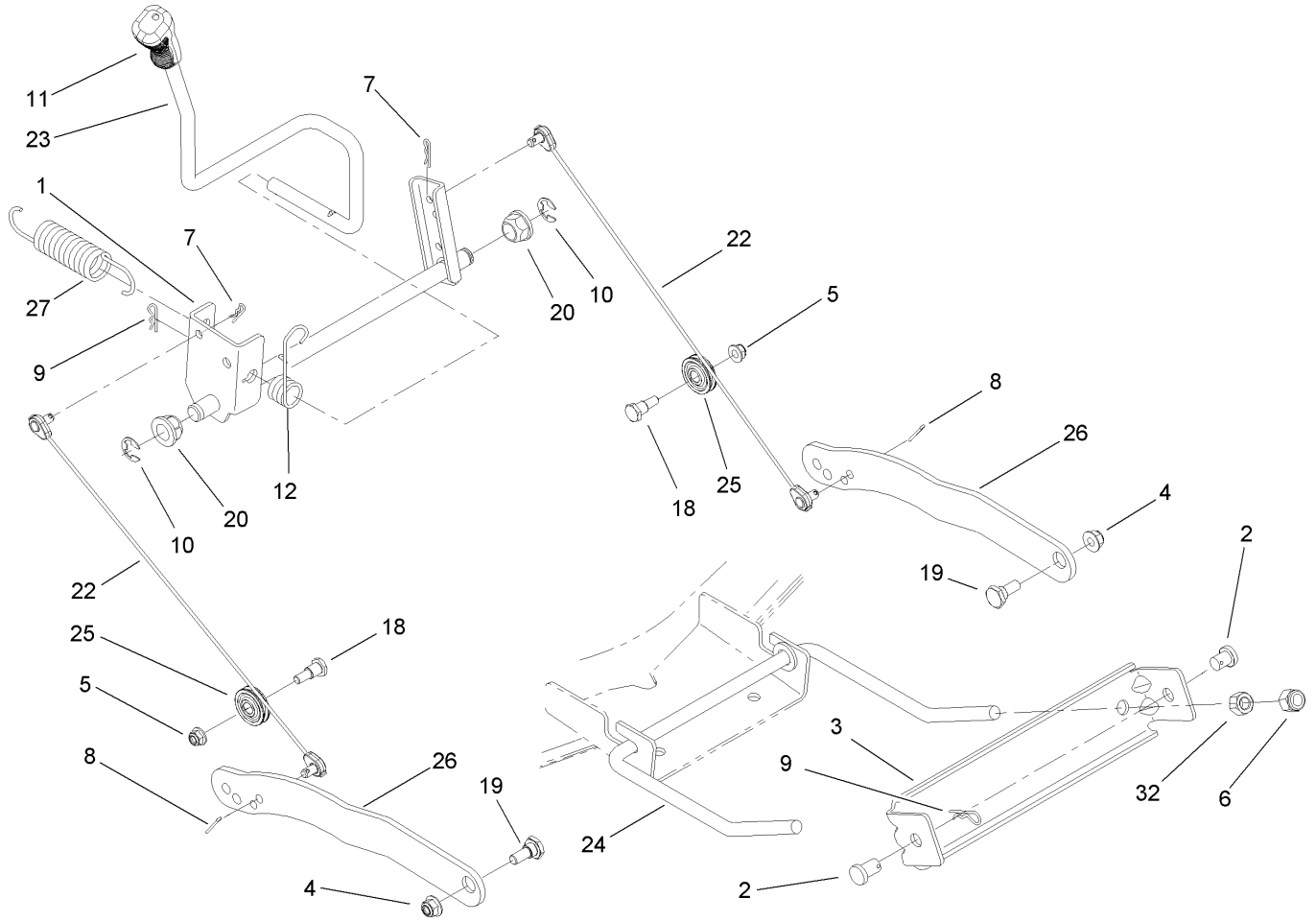
- | | |
|--|--------------------------------------|
| ❶ Not illustrated | ❷ Not serviced separately |
| ❸ Obtain from your local Kohler dealer | ❹ Obtain from your local Toro dealer |
| ❺ For Service with Keihin Carburetors | ❻ For Service of Nikki Carburetors |



Front and Rear Wheel Assembly

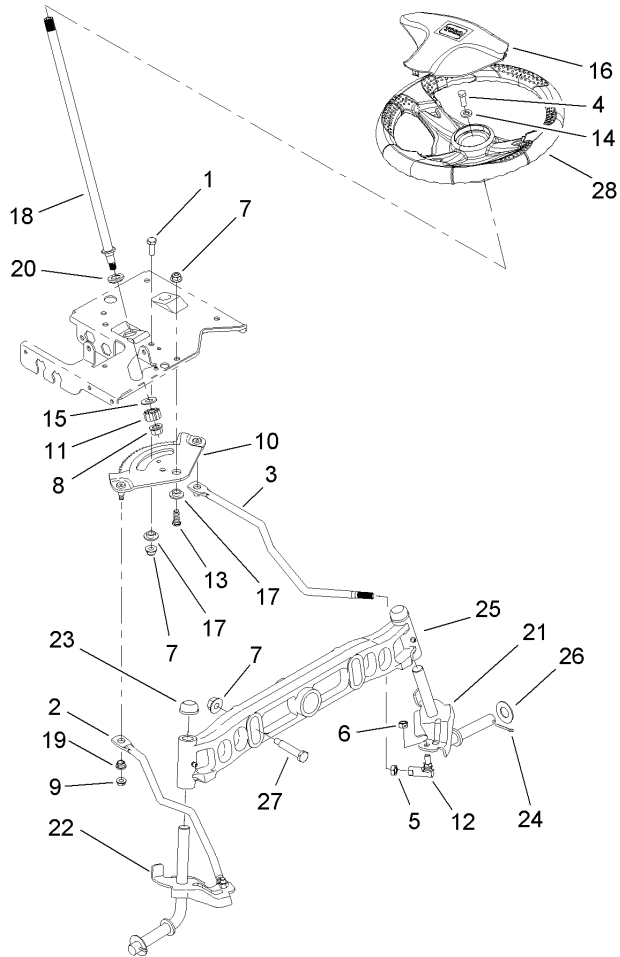
Ref	Part No.	Qty.	Description
1	112-6072	1	Tire
2	112-0849	1	Rim ASM
4	112-0688	1	Tire-Turf
5	112-0468	1	Rim-Wheel, Front
6	112-0439	1	Wheel ASM
7	112-0352	1	Cap-Hub
8	112-0503	1	Valve-Air, Tubeless
10	232-39	1	Tube-Inner
11	93-3893	1	Tube-Inner
12	112-0911	1	Nut-Lug

--	--	--	--



Deck Lift Arm Assembly

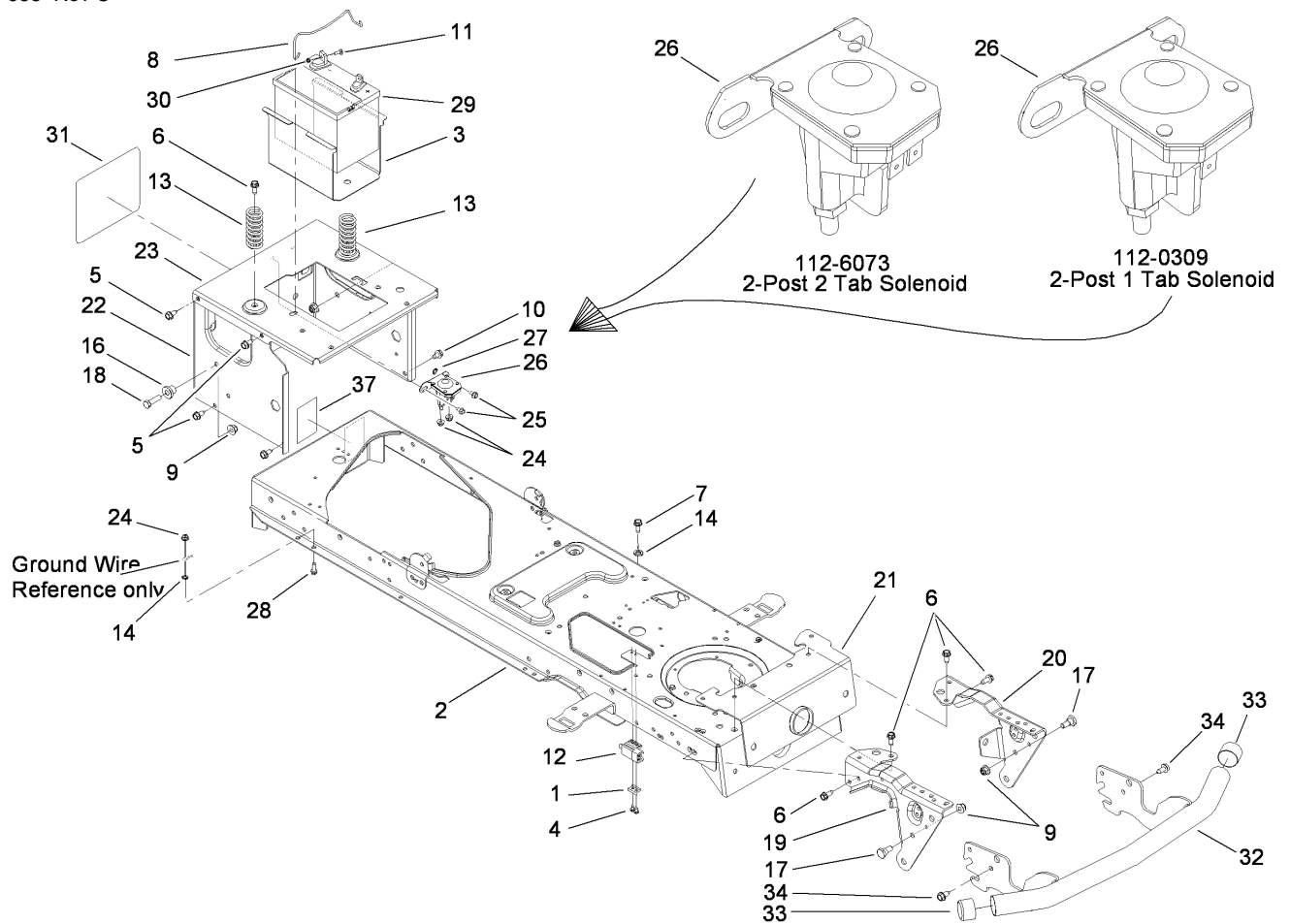
Ref	Part No.	Qty.	Description
1	112-0686	1	Lift Shaft ASM
2	112-0376	1	Pin-Bracket, Lift
3	112-0707	1	Bracket-Stabilizer
4	112-0668	1	Nut-Lock, Flange
5	112-0650	1	Nut-Lock, Flange
6	112-0476	1	Nut-Lock, Hex (Nylon)
7	112-0459	1	Pin-Cotter
8	112-0568	1	Pin-Cotter
9	112-0394	1	Pin-Hair
10	112-0586	1	Ring-E
11	112-0585	1	Grip-Handle
12	112-0477	1	Spring-Torsion
18	112-0443	1	Bolt-Shoulder
19	112-0565	1	Bolt-Shoulder
20	112-0347	1	Bearing-Flange
22	112-0374	1	Cable-Lift
23	112-0674	1	Handle-Lift
24	112-0456	1	Rod-Front, Adjust
25	112-0502	1	Pulley-Roller
26	112-6036	1	Link-Deck, Lift
27	112-0399	1	Spring-Lift, Assist
32	112-0458	1	Nut-Hex



Steering Shaft and Front Axle Assembly

Ref	Part No.	Qty.	Description
1	112-0492	1	Screw-HH
2	112-0355	1	Link-Drag, RH
3	112-0346	1	Link-Drag, LH
4	112-0473	1	Screw-HH
5	112-0493	1	Nut-Jam
6	112-0483	1	Nut-Hex, Lock
7	112-0668	1	Nut-Lock, Flange
8	112-0859	1	Nut-Lock, Flange
9	112-0511	1	Nut-Lock, Flange
10	112-0862	1	Gear-Steering
11	112-0863	1	Gear-Pinion, Steering
12	112-0917	1	Ball Joint ASM
13	112-0631	1	Screw-HH
14	112-0924	1	Washer-Flat
15	112-0925	1	Washer-Flat
16	112-3734	1	Cap-Wheel, Steering
17	112-0881	1	Spacer-Shoulder
18	112-5804	1	Shaft-Steering
19	112-0929	1	Bushing
20	112-0930	1	Bearing-Flange, Hex
21	112-6015	1	RH Axle ASM
22	112-6016	1	LH Axle ASM
23	112-0323	1	Cap
24	112-0519	1	Pin-Cotter

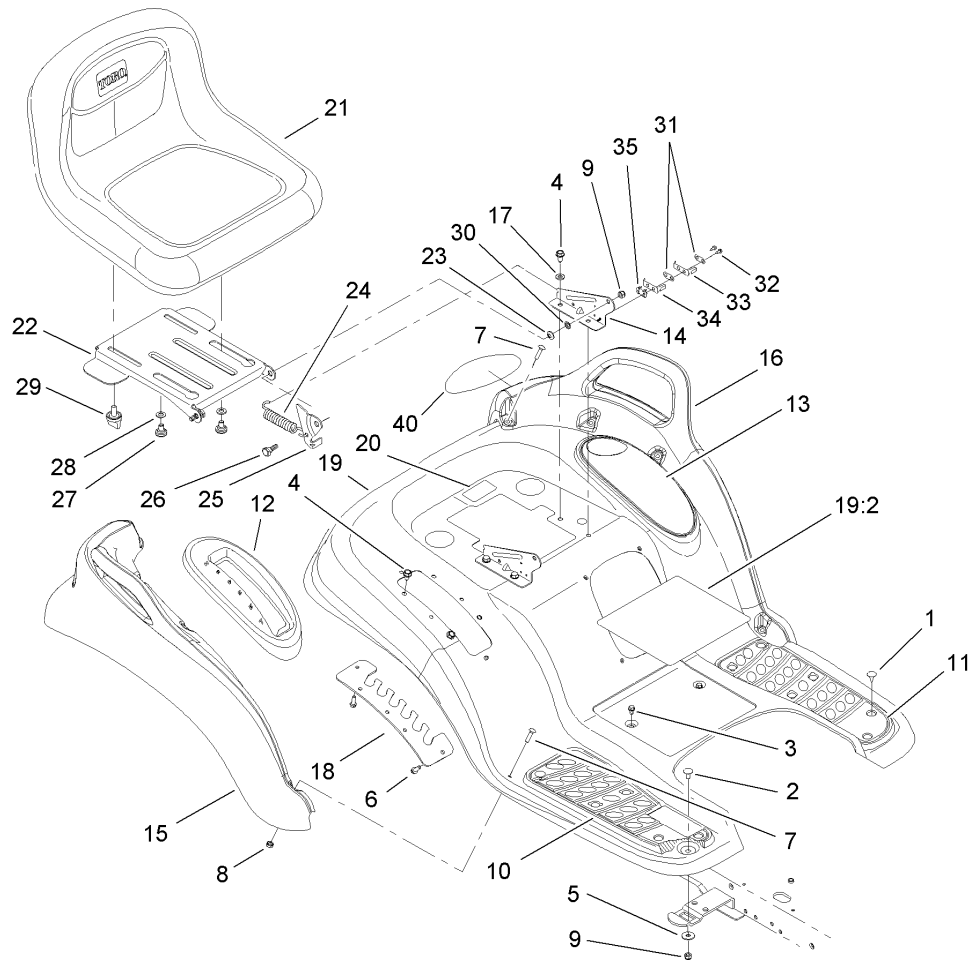
Ref	Part No.	Qty.	Description
25	112-0416	1	Axle-Pivot, Front
26	112-0396	1	Washer-Flat
27	112-0486	1	Bolt-Shoulder
28	112-0438	1	Wheel-Steering, Softgrip



Frame and Battery Assembly

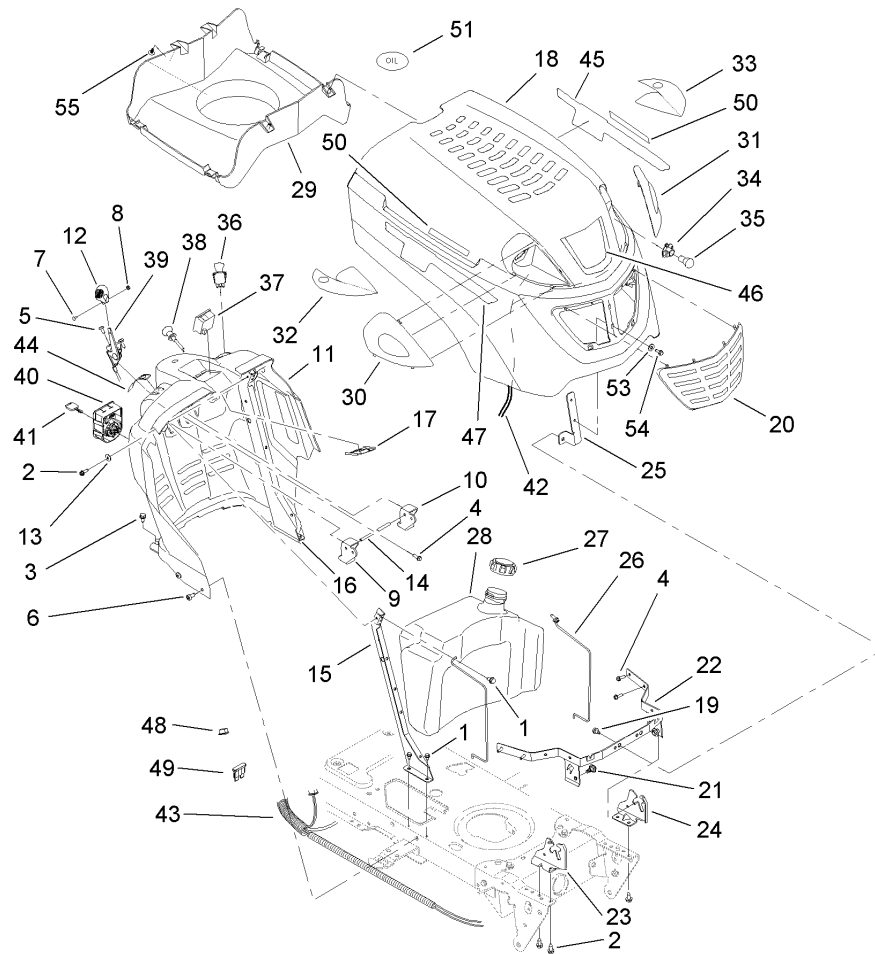
Ref	Part No.	Qty.	Description
1	112-0671	1	Plate-Switch
2	112-5974	1	Lower Frame ASM
3	112-5806	1	Tray-Battery
4	112-0651	1	Screw-TAP
5	112-0556	1	Screw-HWH
6	112-0395	1	Screw-HWH
7	112-0659	1	Screw-HWH
8	112-0581	1	Rod-Holddown, Battery
9	112-0668	1	Nut-Lock, Flange
10	112-0676	1	Screw-TAP
11	112-1070	1	Bolt-Carriage
12	112-0455	1	Switch-Interlock
13	112-0501	1	Spring-Compression
14	112-0703	1	Washer-Lock, External
16	112-0661	1	Spacer-Shoulder
17	112-0565	1	Bolt-Shoulder
18	112-0557	1	Screw-HH
19	112-0620	1	Bracket-Pivot, Support
20	112-0610	1	Bracket-Pivot, Support
21	112-5977	1	Bracket-Pivot, Bar
22	112-6037	1	Support-Frame, Rear
23	112-0647	1	Bracket-Frame, Seat
24	112-0636	1	Nut-Lock, Flange
25	112-0524	1	Screw-HWHTF

Ref	Part No.	Qty.	Description
26	112-0309	1	Solenoid-12V, 2 Post 2 Tab
26	112-6073	1	Solenoid-12V, 2 Post 1 Tab
27	112-0703	1	Washer-Lock, External
28	112-0587	1	Screw-TAP
29	112-0425	1	Battery-245, Cca (Dry Flat Top)
30	112-0546	1	Nut-Sems
31	112-1284	1	Decal-Toro
32	112-0954	1	Bumper ASM
33	112-5968	1	Cap-Hub
34	112-0472	1	Screw-HH, TAP
37	112-5962	1	Decal-Hydro, Toe Valve



Seat and Fender Assembly

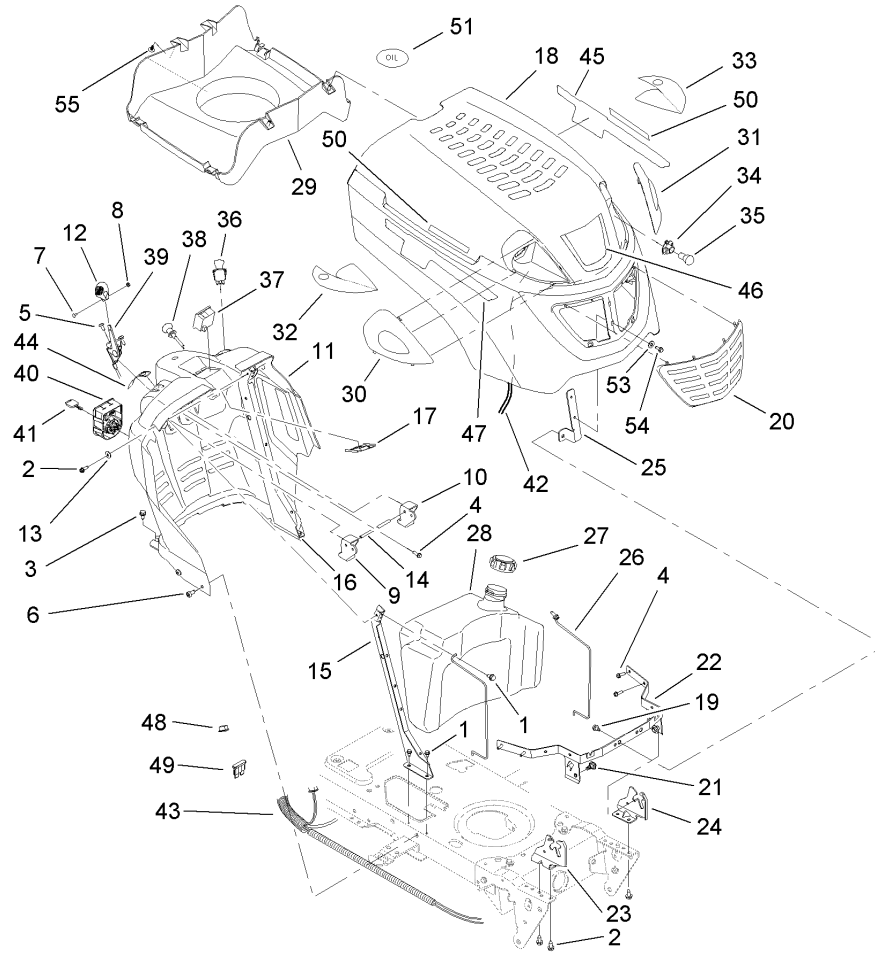
Ref	Part No.	Qty.	Description	Ref	Part No.	Qty.	Description
1	112-0549	1	Clip-Ratchet, Fastener	24	112-0616	1	Spring-Extension
2	112-0426	1	Bolt-CARR	25	112-0646	1	Bracket-Lift, LH
3	112-0524	1	Screw-HWHTF	26	112-0575	1	Bolt-Shoulder
4	112-0556	1	Screw-HWH	27	112-0554	1	Bolt-Shoulder
5	112-0582	1	Washer-Flat	28	112-5980	1	Washer-Flat
6	112-0509	1	Screw-TAP	29	112-0409	1	Knob
7	112-0907	1	Screw-CARR	30	112-0645	1	Nut-Push
8	112-0546	1	Nut-Sems	31	112-0635	1	Plate-Insulator
9	112-0650	1	Nut-Lock, Flange	32	112-0626	1	Screw-HWHTF
10	112-0540	1	Pad-Foot, RH	33	112-0529	1	Switch-Spring
11	112-0545	1	Pad-Foot, LH	34	112-0532	1	Switch-Spring, Inner
12	112-0869	1	Cover-Lever, Lift	35	112-0637	1	Plate-Boss, Insulator
13	112-0870	1	Cover (W/Cup Holder)	40	112-5873	1	Reflector
14	112-6046	1	Bracket-Mount, Seat				
15	112-0871	1	Flare-Fender, RH				
16	112-0872	1	Flare-Fender, LH				
17	112-0517	1	Washer-Lock, External				
18	112-0629	1	Bracket-Adjusting, Lift				
19	112-5869	1	Fender And Decal ASM				
19:2	112-3707	1	Decal-Slope				
20	112-3701	1	Decal-Toro Hotline				
21	112-6018	1	Seat-Medium Back				
22	112-0593	1	Bracket-Seat				
23	112-5979	1	Washer-Bell				



Fuel Tank and Hood Assembly

Ref	Part No.	Qty.	Description
1	112-0524	1	Screw-HWHTF
2	112-0587	1	Screw-TAP
3	112-0472	1	Screw-HH, TAP
4	112-0509	1	Screw-TAP
5	112-0550	1	Screw-TAP
6	112-0563	1	Screw-TAP
7	112-0478	1	Screw-PTH
8	112-0515	1	Nut-Hex
9	112-0526	1	Lever-Cruise
10	112-0580	1	Lever-Brake
11	112-0536	1	Dash-PTO, Electric
12	112-0474	1	Knob-Control
13	112-0485	1	Washer-Spring
14	112-0604	1	Rod-Lever, Bent
15	112-5983	1	Support-Dash, RH
16	112-5984	1	Support-Dash, LH
17	112-5809	1	Bracket-PTO
18	112-0444	1	Hood
19	112-0906	1	Screw-HWHTF
20	112-0381	1	Grill
21	112-0542	1	Bolt-Shoulder
22	112-5985	1	Bracket-Pivot
23	112-0727	1	Bracket-Pivot, Hood (RH)
24	112-0726	1	Bracket-Pivot, Hood (LH)

Ref	Part No.	Qty.	Description
25	112-5986	1	Bracket-Support, Hood
26	112-0678	1	Rod-Support
27	112-0321	1	Cap-Fuel
28	112-5987	1	Fuel-Tank, 3 Gallon
29	112-5814	1	Plenum-Hood
30	112-0447	1	Lens-RH
31	112-0446	1	Lens-LH
32	112-5810	1	Reflector-RH
33	112-5811	1	Reflector-LH
34	112-0408	1	Socket-Headlight
35	112-0402	1	Lamp-12V, Miniature
36	112-0411	1	Switch-Electric, PTO
37	112-0336	1	Meter-Indicator, Systems
38	112-0310	1	Cable Control ASM (W/Choke Knob)
39	112-0403	1	Cable-Throttle
40	112-0865	1	Module-Switch, Ignition
41	112-0312	1	Key-Ignition
42	112-0480	1	Harness-Headlight
43	112-5815	1	Harness-Wire, 2 Post 1 Tab (Solenoid)
43	112-6074	1	Harness-Wire, 2 Post 2 Tab (Solenoid)
44	112-1272	1	Decal-Throttle, Dash
45	112-5965	1	Decal-Side Panel, Left

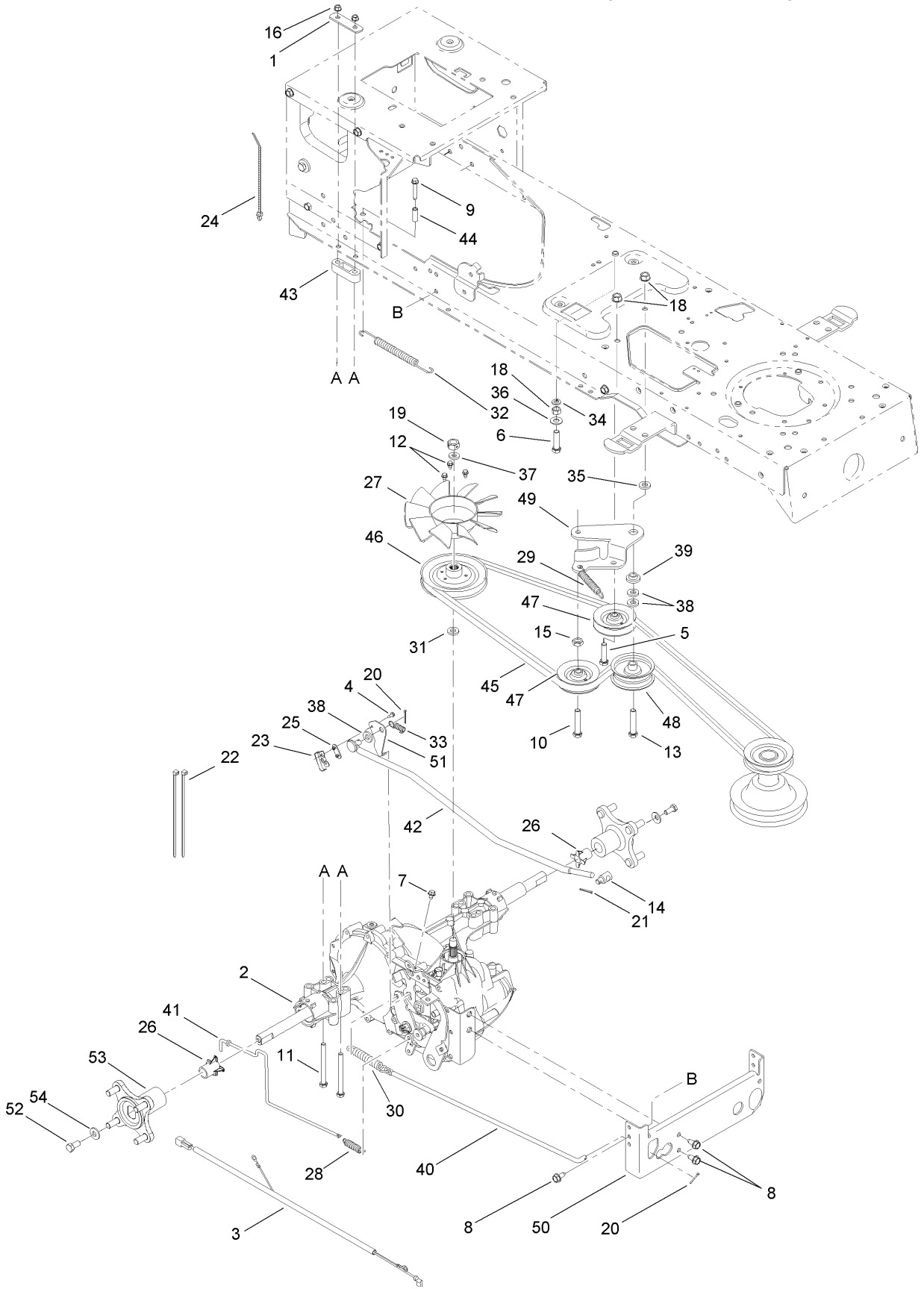


Fuel Tank and Hood Assembly (continued)

Ref	Part No.	Qty.	Description
46	112-3716	1	Decal-Hood
47	112-5966	1	Decal-Side Panel, Right
48	112-5921	1	Relay
49	112-5943	1	Fuse-20 Amp
50	112-5961	1	Decal-Panel, Side
51	112-5960	1	Decal-Check Oil
53	112-5989	1	Washer-Flat
54	112-0587	1	Screw-TAP
55	112-5988	1	Clip-Ratchet

--	--	--	--

Transmission, Belt and Pulley Assembly

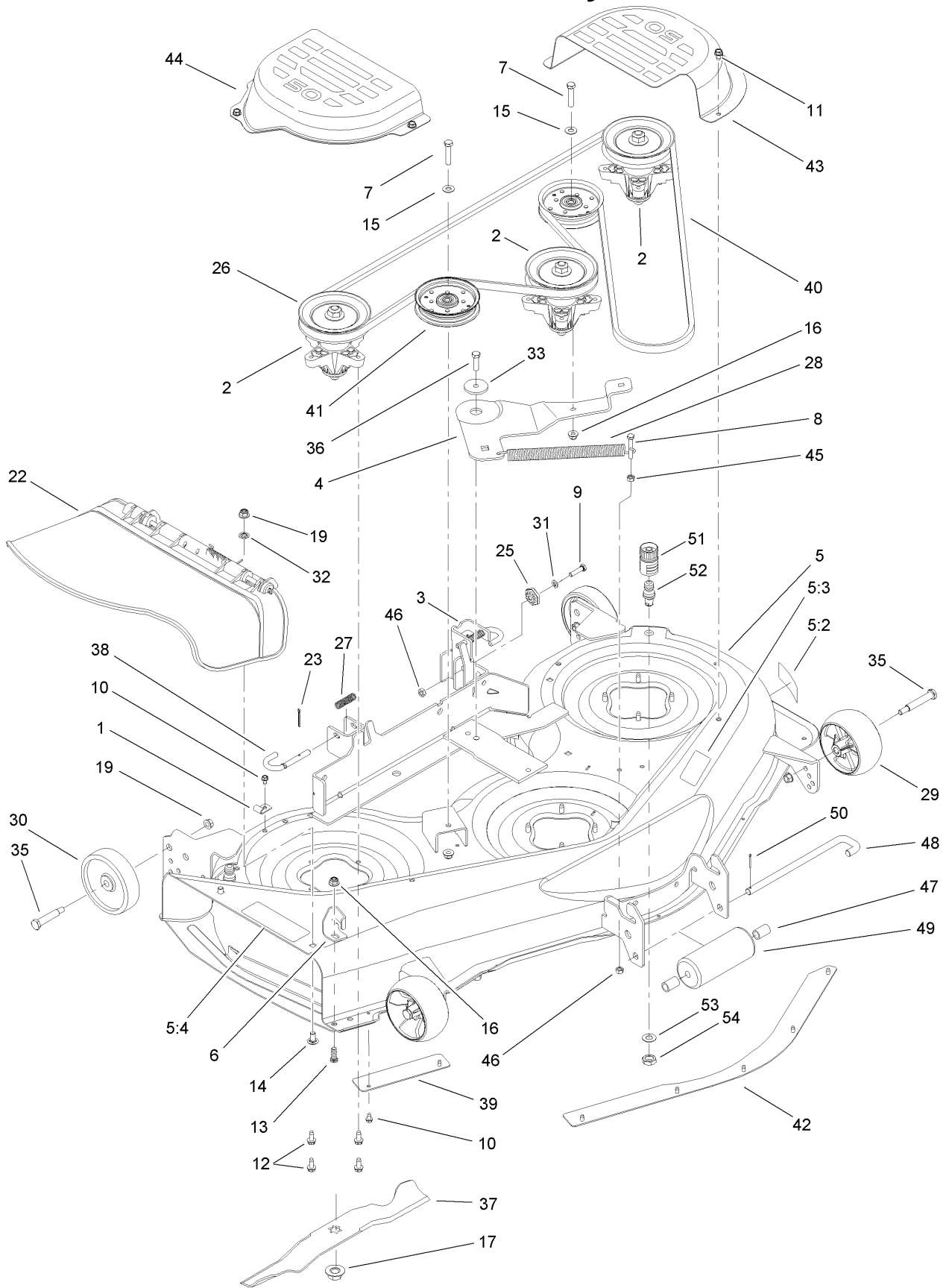


Transmission, Belt and Pulley Assembly

Ref	Part No.	Qty.	Description
1	112-0628	1	Bracket-Mounting, Transmission
2	112-6054	1	Transmission-Hydro
3	112-6020	1	Harness ASM
4	112-0626	1	Screw-HWHTF
5	112-6021	1	Screw-HHFTF
6	112-0578	1	Screw-HH
7	112-6022	1	Screw-TAP
8	112-0472	1	Screw-HH, TAP
9	112-0843	1	Screw-HWH
10	112-0469	1	Screw-TAP
11	112-0667	1	Screw-HH
12	112-6023	1	Screw-HH, TAP
13	112-0700	1	Screw-HH
14	112-0908	1	Ferrule
15	112-0493	1	Nut-Jam
16	112-0650	1	Nut-Lock, Flange
18	112-0910	1	Nut-Hex
19	112-6024	1	Nut-Hex
20	112-0568	1	Pin-Cotter
21	112-0354	1	Pin-Cotter
22	112-0527	1	Tie-Cable
23	112-0602	1	Switch-Spring, Short
24	112-0866	1	Tie-Cable, Push Mount
25	112-0625	1	Plate-Insulator
26	112-6055	1	Sleeve
27	112-6026	1	Fan-Blade, 10
28	112-6027	1	Spring-Extension
29	112-0873	1	Spring-Extension
30	112-0350	1	Spring-Extension
31	112-6028	1	Ring-Wire
32	112-6029	1	Spring-Extension
33	112-0875	1	Spring-Extension
34	112-0415	1	Washer-Lock
35	112-0920	1	Washer-Flat
36	112-0572	1	Washer-Flat
37	112-0923	1	Washer-Lock
38	112-0544	1	Washer-Flat
39	112-0345	1	Spacer-Shoulder
40	112-6030	1	Rod-Brake
41	112-6031	1	Rod-Hydro
42	112-6032	1	Rod-Control
43	112-0673	1	Spacer-Transaxle
44	112-0644	1	Spacer
45	112-5951	1	Belt-V, Type
46	112-6033	1	Pulley-Input
47	112-0892	1	Pulley-Idler, V-Type
48	112-0313	1	Pulley-Idler, Flat
49	112-0525	1	Bracket-Idler, Center Double
50	112-6034	1	Bracket-Torq, Transmission
51	112-6035	1	Bracket-Actuator
52	112-0551	1	Screw-HH
53	112-6056	1	Hub ASM

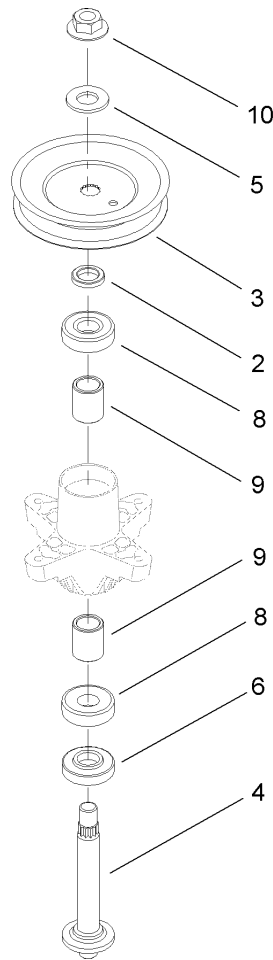
Ref	Part No.	Qty.	Description
54	112-0435	1	Washer-Bell

Deck Assembly



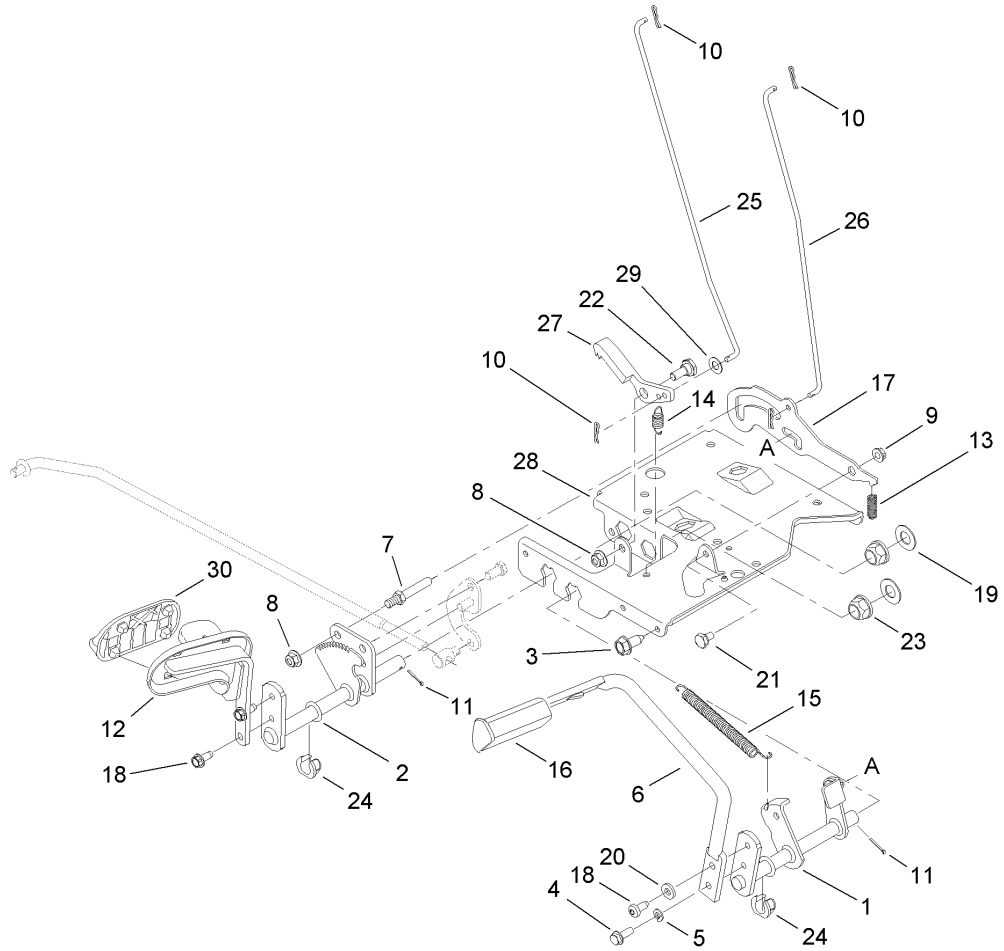
Deck Assembly

Ref	Part No.	Qty.	Description				
1	112-0378	1	Bracket-Retain, Hook				
2	112-6042	1	Spindle ASM				
3	112-0413	1	LH Hanger Bracket ASM				
4	112-6057	1	Bracket-Idler				
5	112-5859	1	Deck And Decal ASM				
5:2	112-1268	1	Decal-Danger, Deck				
5:3	112-1273	1	Decal-Belt Routing, Deck				
5:4	112-1265	1	Decal-Danger				
6	112-0854	1	Stop-Chute				
7	112-0513	1	Screw-HH				
8	112-0472	1	Screw-HH, TAP				
9	112-0373	1	Screw-HH				
10	112-0524	1	Screw-HWHTF				
11	112-0472	1	Screw-HH, TAP				
12	112-0395	1	Screw-HWH				
13	112-0631	1	Screw-HH				
14	112-0452	1	Bolt-CARR				
15	112-0572	1	Washer-Flat				
16	112-0668	1	Nut-Lock, Flange				
17	112-0330	1	Nut-Flange, Hex				
19	112-0385	1	Nut-Lock, Flange				
22	112-0533	1	Chute ASM				
23	112-0412	1	Pin-Cotter				
25	112-0327	1	Gear-Adjustment, Deck				
26	112-0505	1	Pulley-Deck				
27	112-0406	1	Spring-Compression				
28	112-6043	1	Spring-Extension				
29	112-0677	1	Wheel-Deck, Front				
30	112-0337	1	Wheel-Deck, Rear				
31	112-0366	1	Washer-Lock				
32	112-0623	1	Retainer-Bolt				
33	112-0584	1	Spacer-Shoulder				
35	112-0334	1	Bolt-Shoulder				
36	112-0557	1	Screw-HH				
37	112-0316	1	Blade-17.90 Inch				
38	112-0436	1	Pin-Handle, Deck Release				
39	112-0612	1	Skirt-RH				
40	112-0332	1	Belt-V, Type B				
41	112-0314	1	Pulley-Idler				
42	112-5837	1	Skirt-Center				
43	112-6041	1	Cover-Belt, LH				
44	112-6040	1	Cover-Belt, RH				
45	112-0437	1	Nut-Hex				
46	112-0650	1	Nut-Lock, Flange				
47	112-0691	1	Spacer				
48	112-5839	1	Pin-Roller				
49	112-5840	1	Roller				
50	112-5841	1	Pin-Cotter				
51	112-0916	1	Adapter-Nozzle, Water				
52	112-0879	1	Nozzle-Water, Deck				
53	112-0643	1	Washer-Lock				
54	112-0351	1	Nut-Hex				



Spindle Assembly No. 112-6042

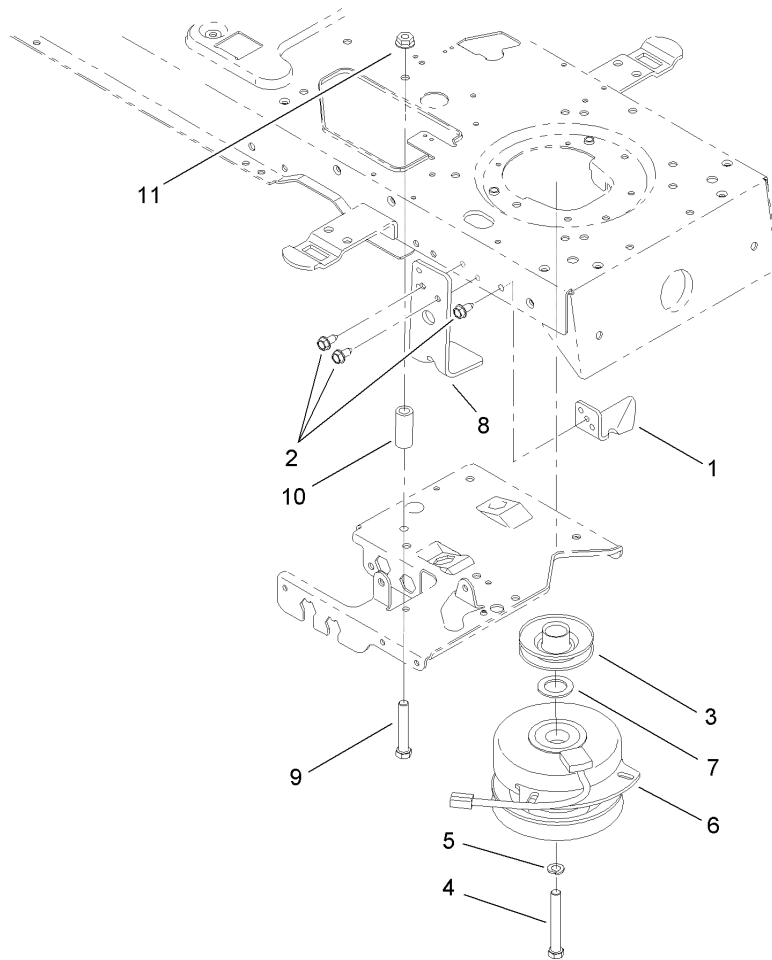
Ref	Part No.	Qty.	Description			
2	112-6038	1	Spacer			
3	112-5926	1	Pulley			
4	112-0884	1	Shaft-Spindle, Blade (Star)			
5	112-0921	1	Washer-Flat			
6	112-0721	1	Spacer			
8	112-0377	1	Bearing-Ball			
9	112-0389	1	Spacer			
10	112-0330	1	Nut-Flange, Hex			



Brake and Traction Assembly

Ref	Part No.	Qty.	Description
1	112-0648	1	Brake Control ASM
2	112-0850	1	Control ASM
3	112-0472	1	Screw-HH, TAP
4	112-0404	1	Screw-HWHTF
5	112-0366	1	Washer-Lock
6	112-3738	1	Pedal-Brake
7	112-0599	1	Pin
8	112-0668	1	Nut-Lock, Flange
9	112-0511	1	Nut-Lock, Flange
10	112-0459	1	Pin-Cotter
11	112-0568	1	Pin-Cotter
12	112-0851	1	Control Pedal ASM
13	112-0506	1	Spring
14	112-0510	1	Spring-Extension
15	112-0348	1	Spring-Extension
16	112-6001	1	Pad-Brake
17	112-5812	1	Bracket-Lockout
18	112-0563	1	Screw-TAP
19	112-0339	1	Washer-Flat
20	112-0579	1	Washer-Flat
21	112-0542	1	Bolt-Shoulder
22	112-0442	1	Bolt-Shoulder
23	112-0347	1	Bearing-Flange
24	112-0387	1	Bearing-Flange, Hex (Split)

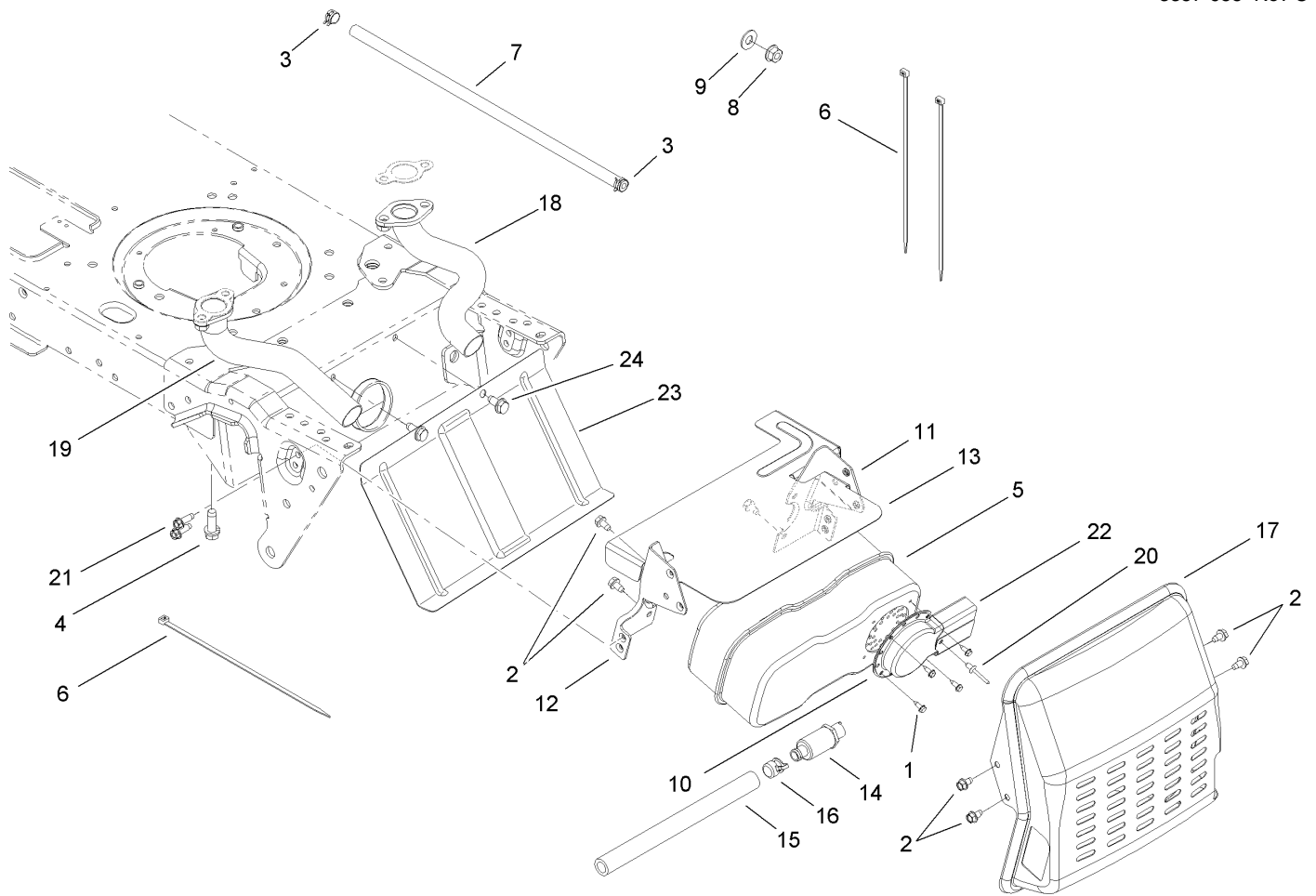
Ref	Part No.	Qty.	Description
25	112-0662	1	Rod-Control, Cruise
26	112-6003	1	Rod-Brake, Lock Control
27	112-6004	1	Latch-Cruise
28	112-0681	1	Bracket-Support, Steering
29	112-0541	1	Washer-Flat
30	112-0543	1	Pad-Pedal



Electric Clutch Assembly

Ref	Part No.	Qty.	Description
1	112-0571	1	Bracket-Clutch
2	112-0472	1	Screw-HH, TAP
3	112-6045	1	Pulley-Engine
4	112-0561	1	Screw-HH
5	112-0428	1	Washer-Lock
6	112-6044	1	Clutch-Electric
7	112-0420	1	Washer-Flat
8	112-6058	1	Bracket-Up Stop
9	112-0700	1	Screw-HH
10	112-0433	1	Spacer
11	112-0668	1	Nut-Lock, Flange

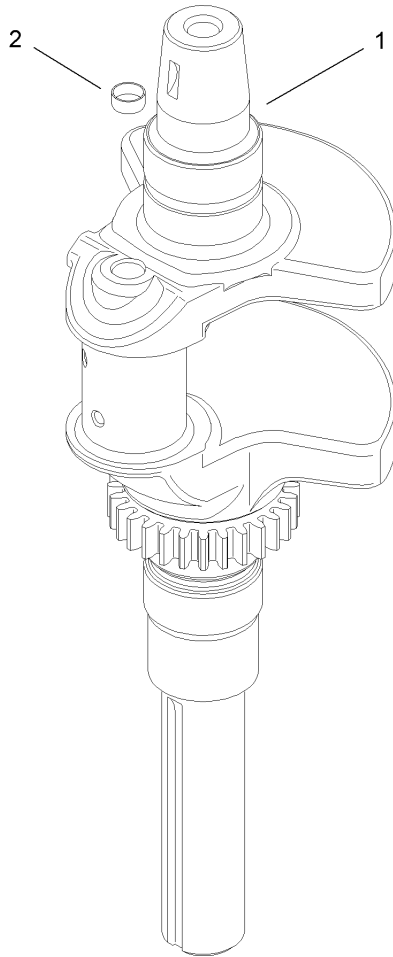
--	--	--	--



Muffler Assembly

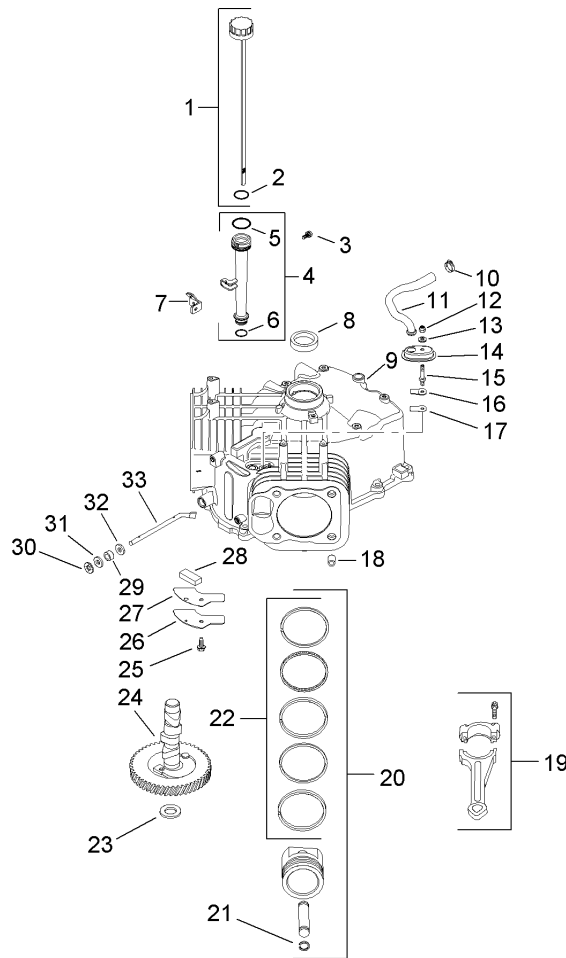
Ref	Part No.	Qty.	Description
1	112-0626	1	Screw-HWHTF
2	112-0524	1	Screw-HWHTF
3	112-0573	1	Clamp-Hose
4	112-0487	1	Screw-TAP
5	112-0342	1	Muffler-Inlet, Dual
6	112-0527	1	Tie-Cable
7	112-0720	1	Hose-Fuel
8	112-0490	1	Nut-Lock, Flange
9	112-0572	1	Washer-Flat
10	112-0453	1	Deflector-Muffler
11	112-0467	1	Bracket-Muffler, LH
12	112-0466	1	Bracket-Muffler, RH
13	112-0716	1	Shield-Heat
14	112-0388	1	Drain-Oil
15	112-0553	1	Hose-Drain
16	112-0397	1	Cap-Drain, Oil
17	112-6013	1	Muffler Heat Shield ASM
18	112-0391	1	Pipe-Exhaust, LH
19	112-0392	1	Pipe-Exhaust, RH
20	112-3741	1	Rivet-Pop
21	112-0587	1	Screw-TAP
22	112-0730	1	Deflector-Muffler, Long
23	112-6014	1	Shield-Heat, Tractor
24	112-0395	1	Screw-HWH

--	--	--	--



**Crankshaft Assembly
Kohler SV720-0011**

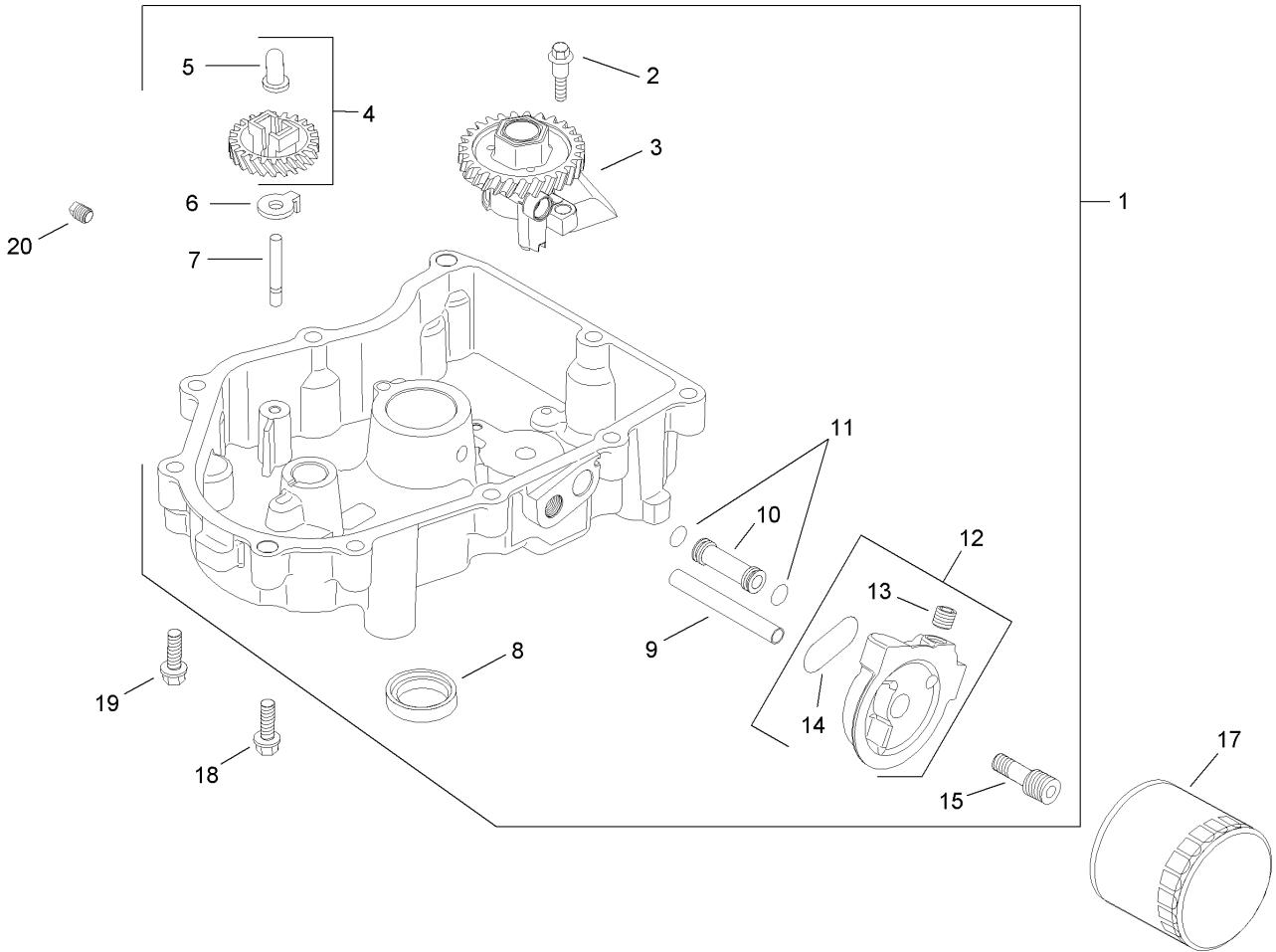
Ref	Part No.	Qty.	Description				
● 1	32 014 04S	1	Crankshaft (Includes 2)				
● 2	52 139 09S	1	Plug-Cup				



Crankcase Assembly Kohler SV720-0011

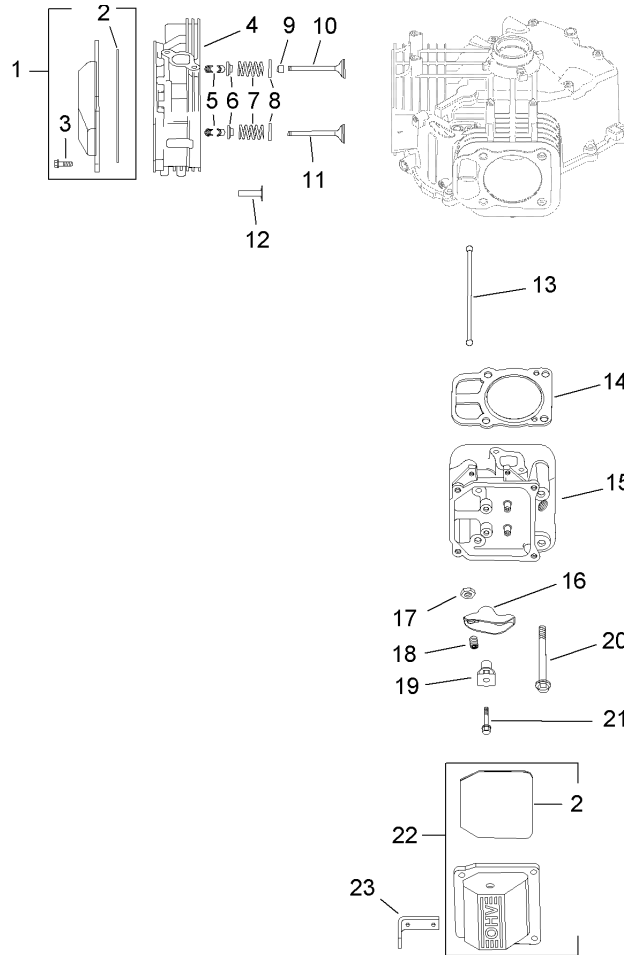
Ref	Part No.	Qty.	Description
❶	32 038 01S	1	Dipstick Kit (Includes 2)
❷	12 153 03S	1	O-Ring
❸	M545016S	1	Screw-Hex Flange, Thread Forming (M5X0.8X16)
❹	12 123 04S	1	Tube-Oil Fill (Includes 5-6)
❺	12 153 02S	1	O Ring-Upper Oil Fill Tube
❻	12 153 01S	1	O Ring-Lower Oil Fill Tube
❼	24 126 19S	1	Bracket-Oil Fill Tube
❽	24 032 01S	1	Seal-Oil
❾❿		1	Crankcase (Use: Short Block 32 522 03)
❿	25 237 14S	1	Clamp-Hose
⓫	32 326 04S	1	Hose-Breather
⓬	M547050S	1	Nut-Lock, Hex (M5X0.8)
⓭	32 468 01S	1	Washer-Sealing
⓮	32 081 02S	1	Housing-Breather
⓯	32 072 02S	1	Stud-Breather Cover
⓰	24 018 04S	1	Retainer-Breather Reed
⓱	24 402 05S	1	Reed-Breather
⓲	24 380 16S	6	Pin-Locating
⓳	24 067 13S	2	Rod-Connecting (Standard)
⓴	32 874 06S	2	Piston W/Ring Set (Standard) (Includes 21-22)
⓵	24 018 01S	4	Retainer-Piston Pin
⓶	24 108 11S	2	Ring Set (Standard)

Ref	Part No.	Qty.	Description
⓷	12 422 10S	1	Shim-Camshaft (Yellow)
⓸	12 422 09S	1	Shim-Camshaft (Red)
⓹	12 422 13S	1	Shim-Camshaft (Black)
⓺	12 422 07S	1	Shim-Camshaft (White)
⓻	12 422 08S	1	Shim-Camshaft (Blue)
⓼	12 422 11S	1	Shim-Camshaft (Green)
⓽	12 422 12S	1	Shim-Camshaft (Gray)
⓿	32 012 01S	1	Camshaft Kit
⓾	M645016S	1	Screw-Hex Flange, Thread Forming (M6X1.0X16)
⓿	32 096 04S	1	Cover-Breather
⓿	32 041 01S	1	Gasket-Breather Cover
⓿	32 050 01S	1	Filter-Breather
⓿	28 032 09S	1	Seal-Governor Cross Shaft
⓿	24 018 09S	1	Ring-Retainer
⓿	M931010S	1	Washer-Flat (8 Mm)
⓿	24 468 15S	1	Washer-Flat (1/4)
⓿	24 144 38S	1	Shaft-Governor Cross



Oil Pan and Lubrication Assembly Kohler SV720-0011

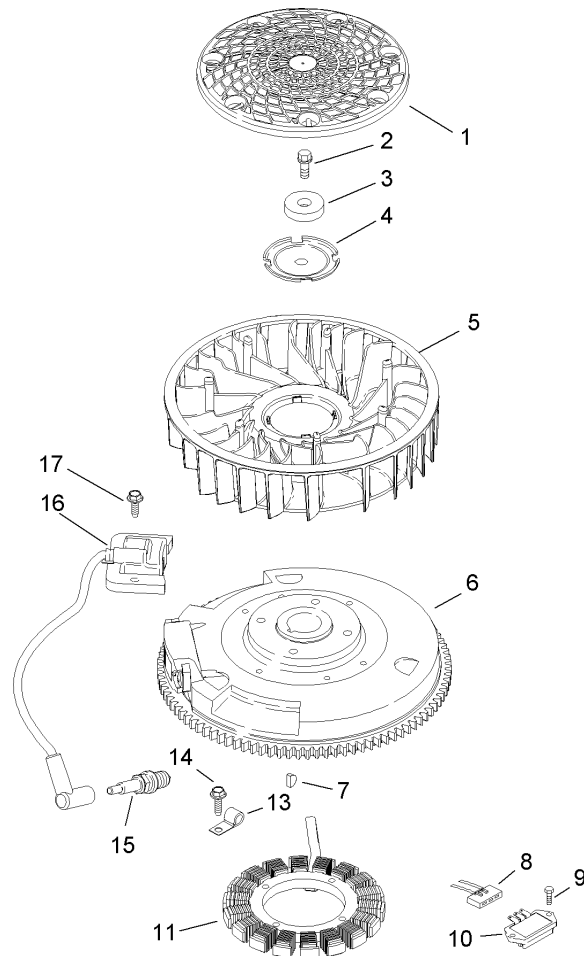
Ref	Part No.	Qty.	Description
1	32 199 02S	1	Oil Pan ASM (Includes 2-15)
2	32 086 01S	2	Screw-Hex Flange, Thread Forming (Shoulder)
3	32 393 08S	1	Oil Pump ASM
4	24 043 12S	1	Governor Gear Kit W/Pin (Includes 5)
5	12 380 01S	1	Pin-Governor Regulating
6	24 448 02S	1	Tab-Locking
7	12 144 02S	1	Shaft-Governor Gear
8	52 032 08S	1	Seal-Oil (PTO End)
9	32 123 01S	1	Tube (Oil Feed Filter To Oil Pan)
10	32 123 03S	1	Tube (Oil Feed Oil Pan To Filter)
11	24 153 01S	2	O Ring
12	32 029 07S	1	Adapter-Oil Filter (Includes 13-14)
13	25 139 60S	1	Plug-Hex, Countersunk (1/8)
14	32 153 02S	1	O Ring-Oil Filter Adapter
15	32 136 03S	1	Nipple-Oil Filter
17	98020	1	Filter-Oil
18	24 086 17S	1	Screw-Hex Flange (M8X1.25X45)
19	24 086 16S	9	Screw-Hex Flange (M8X1.25X45)
20	25 139 57S	1	Plug-Square Head, Solid (3/8)



Head, Valve and Breather Assembly Kohler SV720-0011

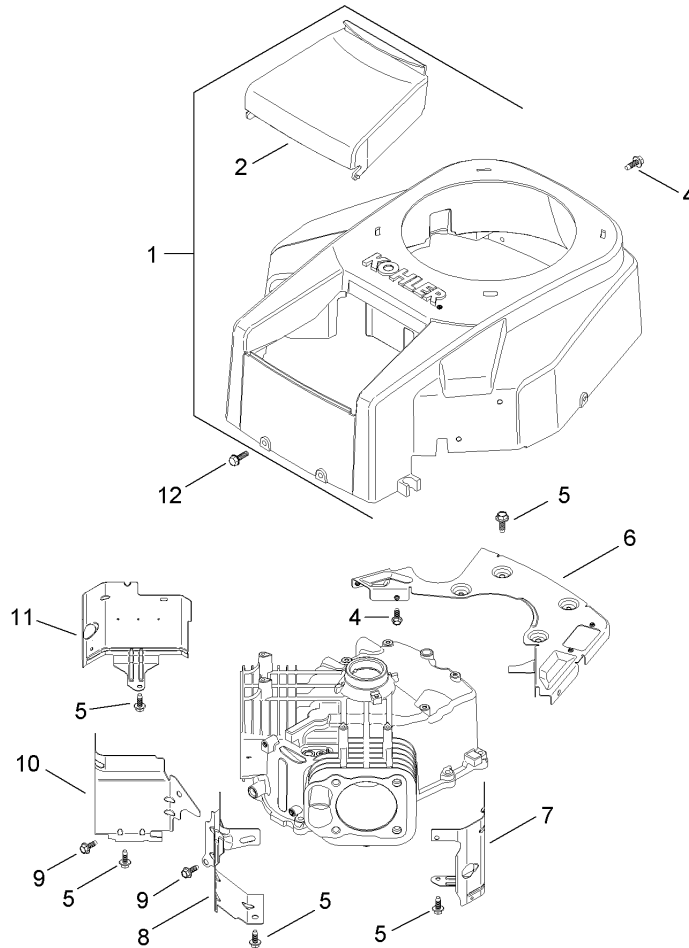
Ref	Part No.	Qty.	Description
❶1	24 755 141S	1	Plain Valve Cover Kit [qty. 4] (Includes 2-3)
❶2	24 153 28S	1	O Ring
❶3	M651030S	8	Screw-Hex Flange (M6X1.0X30)
❶4	32 318 01S	1	No. 1 Cylinder Head ASM
❶5	12 755 03S	8	Retainer Kit
❶6	12 173 01S	4	Cap-Valve Spring
❶7	24 089 02S	4	Spring-Valve
❶8	235011S	4	Retainer-Spring
❶9	66 032 05S	2	Seal-Valve Stem
❶10	24 017 01S	2	Valve-Intake (Standard)
❶10	24 017 02S	2	Valve-Intake (.25)
❶11	24 016 01S	2	Valve-Exhaust (Standard)
❶11	24 016 02S	2	Valve-Exhaust (.25)
❶12	32 019 01S	4	Tappet
❶13	32 411 02S	4	Rod-Push
❶14	24 841 03S	2	Cylinder Head Gasket Kit (Includes head Mounting Hardware And 24 041 49S, 24 153 27S)
❶15	32 318 02S	1	No. 2 Cylinder Head ASM
❶16	32 186 02S	4	Arm-Rocker
❶17	32 100 04S	4	Nut-Hex (M10X0.75)
❶18	32 086 03S	4	Screw-Set
❶19	32 599 01S	4	Pivot-Rocker Arm

Ref	Part No.	Qty.	Description
❶20	12 086 16S	8	Screw-Hex Flange (M10X1.5X90)
❶21	32 086 04S	4	Screw-Hex Flange (M6X1.0X45)
❶22	32 096 06S	1	Valve Cover Breather Kit (Includes 2)
❶23	24 445 01S	1	Strap-Lifting
❶❶24	24 041 49S	1	Gasket-Exhaust Manifold
❶❶25	24 153 27S	1	O Ring-Intake Port



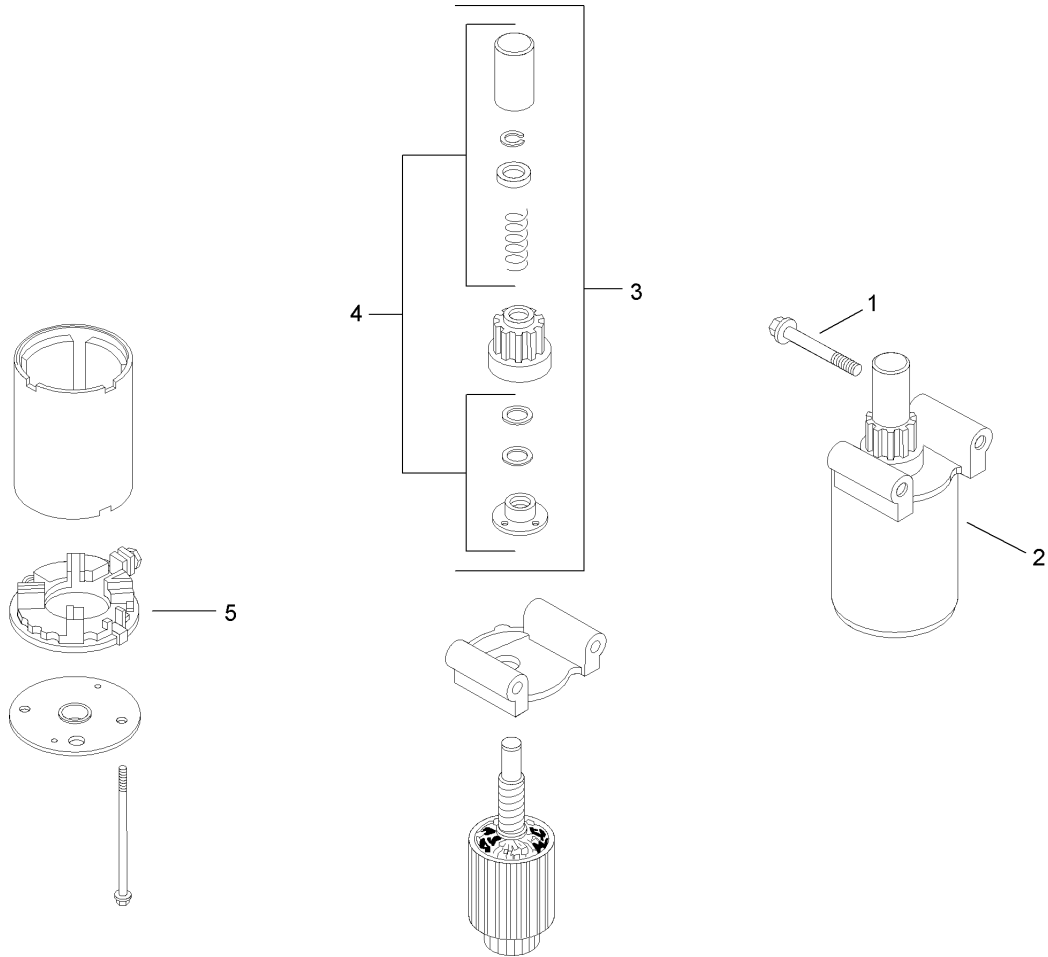
Ignition and Electrical Assembly Kohler SV720-0011

Ref	Part No.	Qty.	Description				
1	32 162 03S	1	Screen-Grass				
2	12 086 14S	1	Screw-Hex Flange (M10X1.5X45)				
3	12 468 03S	1	Washer-Flat (3/8)				
4	20 146 02S	1	Plate-Fan Mounting				
5	32 157 01S	1	Fan				
6	32 025 08S	1	Flywheel				
7	X4215S	1	Key				
8	236602S	1	Connector (3 Contact)				
9	M551016S	2	Screw-Heavy Hex Flange (M5X0.8X16)				
10	41 403 09S	1	Rectifier-Regulator				
11	32 085 01S	1	15 Amp Stator Kit				
13	235173S	1	Clip-Cable				
14	M548025S	2	Screw-Hex Head, Thread Forming (M5X0.8X25)				
15	77-7330	1	Plug-Spark				
16	24 584 01S	2	Module-Ignition				
17	M545020S	4	Screw-Hex Flange, Thread Forming (M5X0.8X20)				
18	32 176 04S	1	Harness-Wiring				
19	25 454 03S	2	Tie-Wire				



Blower Housing and Baffle Assembly Kohler SV720-0011

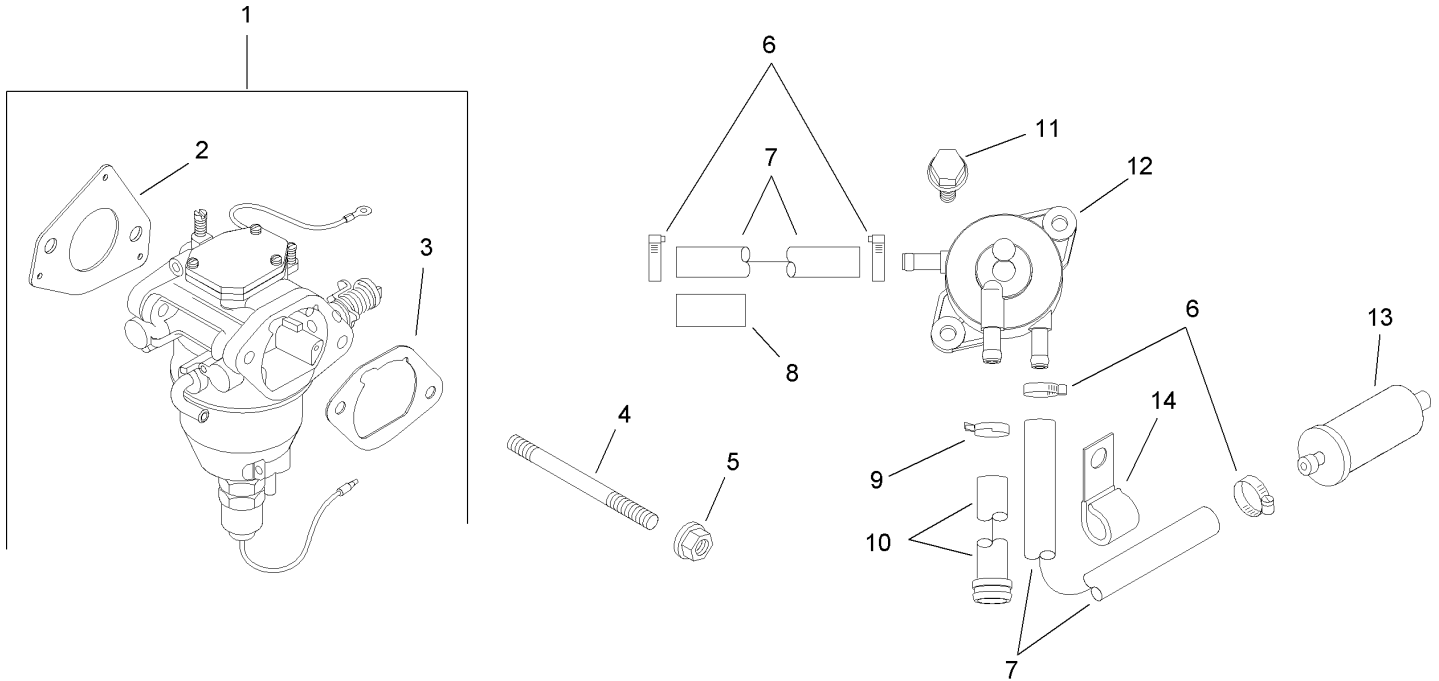
Ref	Part No.	Qty.	Description				
❶	32 027 03S	1	Housing-Blower (Includes 2 And 41 037 10S)				
❷	32 096 08S	1	Cover-Air Cleaner				
❹	M545016S	6	Screw-Hex Flange, Thread Forming (M5X0.8X16)				
❸	M645016S	8	Screw-Hex Flange, Thread Forming (M6X1.0X16)				
❻	32 146 05S	1	Plate-Backing W/Rectifier-Regulator Opening				
❼	32 063 05S	1	Baffle-Cylinder Barrel, No. 2 Side				
❽	32 063 02S	1	Baffle-Valley, No. 2 Side				
❾	M545010S	2	Screw-Hex Flange, Thread Forming (M5X0.8X10)				
❿	32 063 03S	1	Baffle-Valley, No. 1 Side				
⓫	32 063 06S	1	Baffle-Cylinder Barrel, No. 1 Side				
⓬	24 086 12S	2	Screw-Hex Cap (M6X1.7X18)				
Ⓜ	41 037 10S	1	Nameplate-Service				



Starting System Assembly Kohler SV720-0011

Ref	Part No.	Qty.	Description
❶	M839080S	2	Screw-Hex Flange (M8X1.25X70)
❷	32 098 01S	1	Starter ASM (Includes 3-5)
❸	12 755 39S	1	Drive Kit
❹	12 755 38S	1	Drive Parts Kit
❺	12 243 04S	1	Commutator-End Cap

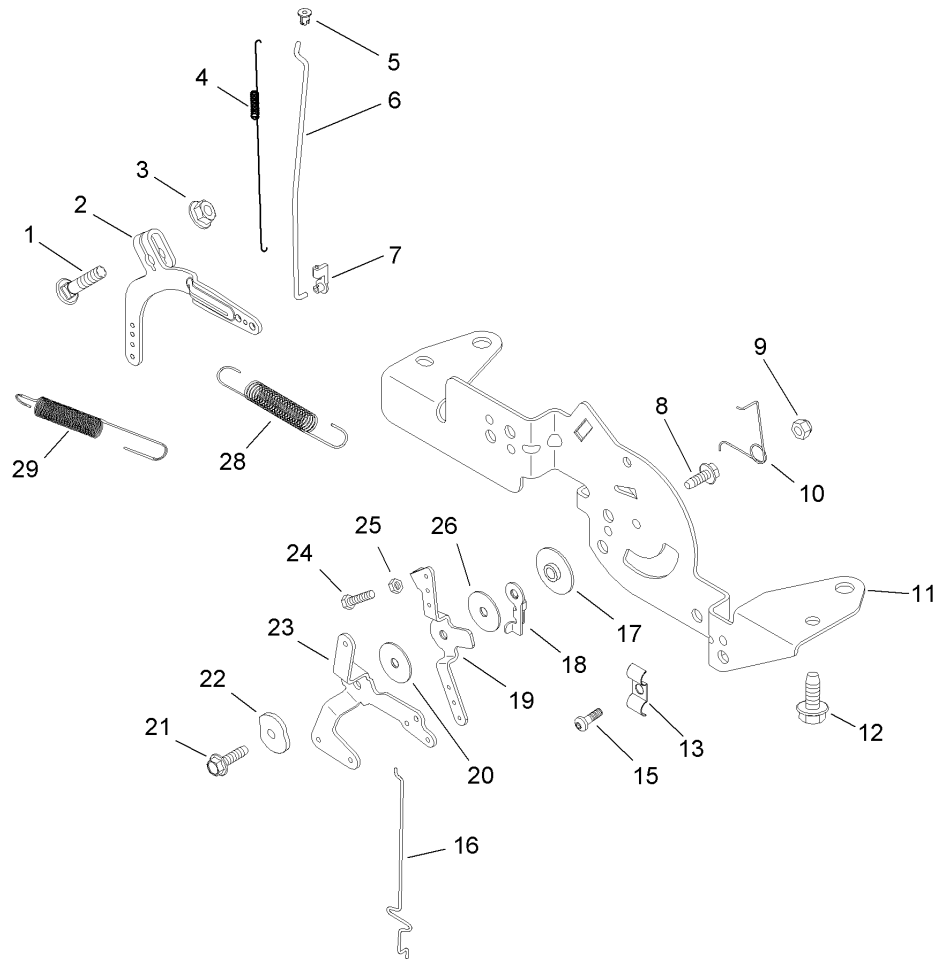
--	--	--	--



Fuel System Assembly Kohler SV720-0011

Ref	Part No.	Qty.	Description
❶	32 853 03S	1	Carburetor Kit W/Gaskets (Includes 2-3)
❷	24 041 52S	1	Gasket-Carburetor
❸	24 041 14S	1	Gasket-Air Cleaner Base
❹	M629105S	2	Stud-Carburetor
❺	M641060S	2	Nut-Hex Flange (M6X1.0)
❻	25 237 14S	4	Clamp-Hose
❼	25 111 34S	2	Line-Fuel (24 Inch, Cut to needed length)
❽	25 431 10S	1	Sleeve-Antiabration
❾	25 237 01S	1	Clamp-Hose
❿	32 326 02S	1	Hose-Fuel Pump
⓫	24 086 12S	2	Screw-Hex Cap (M6X1.7X18)
⓬	24 393 16S	1	Pump-Pulse Fuel
⓭	98021	1	Filter-Fuel
⓮	47 154 01S	1	Clip-Cable
⓯	24 757 36S	1	Service Choke Repair Kit
⓰	24 757 38S	1	Service Gasket Repair Kit
⓱	24 757 44S	1	Float Kit W/Gaskets
⓲	24 757 45S	1	Solenoid Valve Kit W/Gaskets
⓳	24 757 46S	1	Overhaul Kit W/Gaskets
⓴	24 757 18S	1	Overhaul Kit W/Gaskets (Includes float kit)
⓵	24 757 19S	1	Service Choke Repair Kit
⓶	24 757 20S	1	Service Gasket Repair Kit

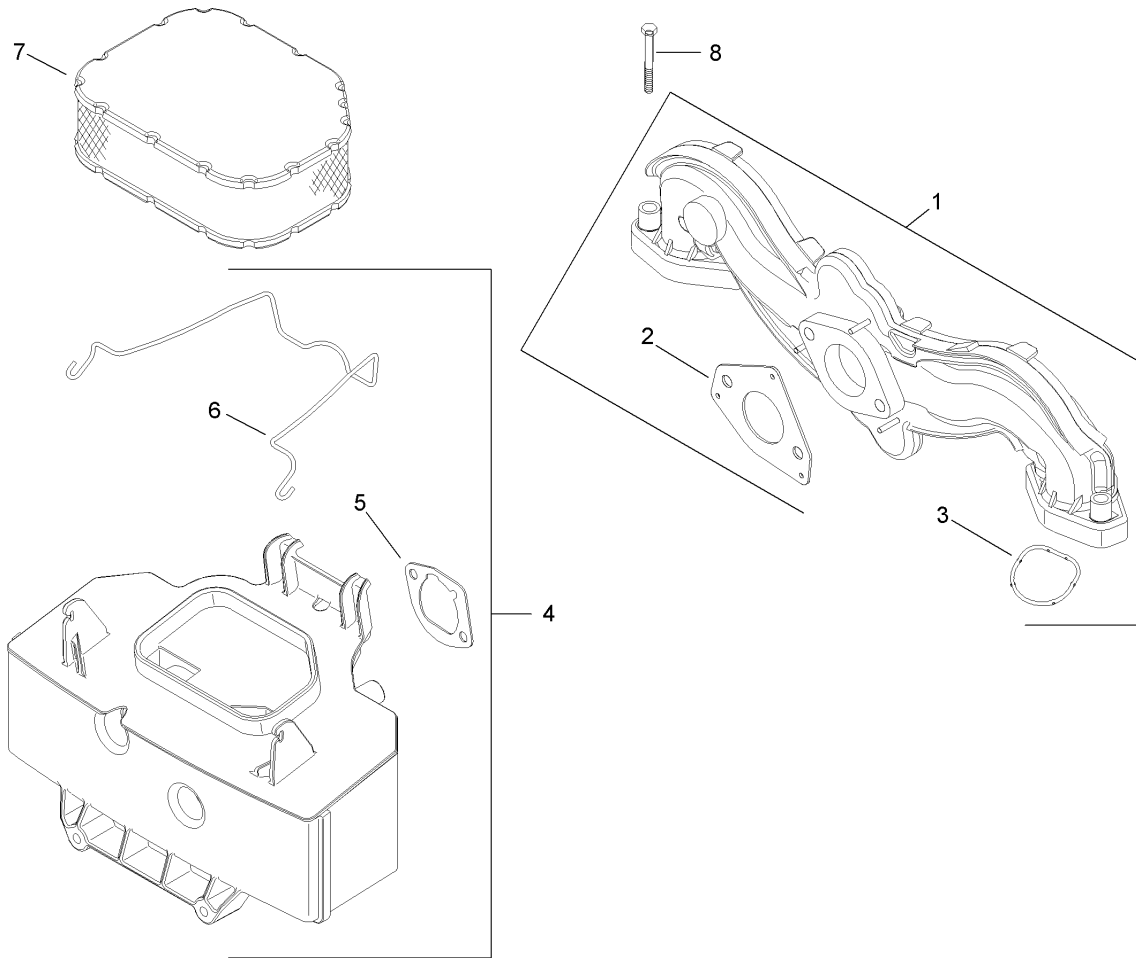
Ref	Part No.	Qty.	Description
⓷	24 757 22S	1	Solenoid Valve Kit W/Gaskets



Engine Control Assembly Kohler SV720-0011

Ref	Part No.	Qty.	Description
❶	24 211 03S	1	Bolt-Round Head Square Neck
❷	24 090 33S	1	Lever-Governor
❸	M641060S	1	Nut-Hex Flange (M6X1.0)
❹	24 089 01S	1	Spring-Linkage
❺	25 158 08S	1	Bushing-Linkage Retaining
❻	24 079 04S	1	Linkage-Throttle
❼	25 158 11S	1	Bushing-Throttle Linkage
❽	M545016S	1	Screw-Hex Flange, Thread Forming (M5X0.8X16)
❾	M547050S	1	Nut-Lock, Hex (M5X0.8)
❿	24 089 03S	1	Spring-Choke Return
⓫	24 126 161S	1	Bracket-Control
⓬	M645016S	4	Screw-Hex Flange, Thread Forming (M6X1.0X16)
⓭	47 237 02S	1	Clamp-Dual Conduit
⓮	24 086 43S	1	Screw-Thread Forming
⓯	24 079 22 S	1	Linkage-Choke
⓰	24 112 27S	1	Spacer-Control ASM
⓱	24 090 47S	1	Lever-Throttle Actuator
⓲	24 090 13S	1	Lever-Throttle Control
⓳	24 468 01S	1	Washer-Flat (5.5 Mm)
⓴	M545020S	1	Screw-Hex Flange, Thread Forming (M5X0.8X20)
⓵	41 468 03S	1	Washer-Spring (1/4)
⓶	24 090 05S	1	Lever-Choke

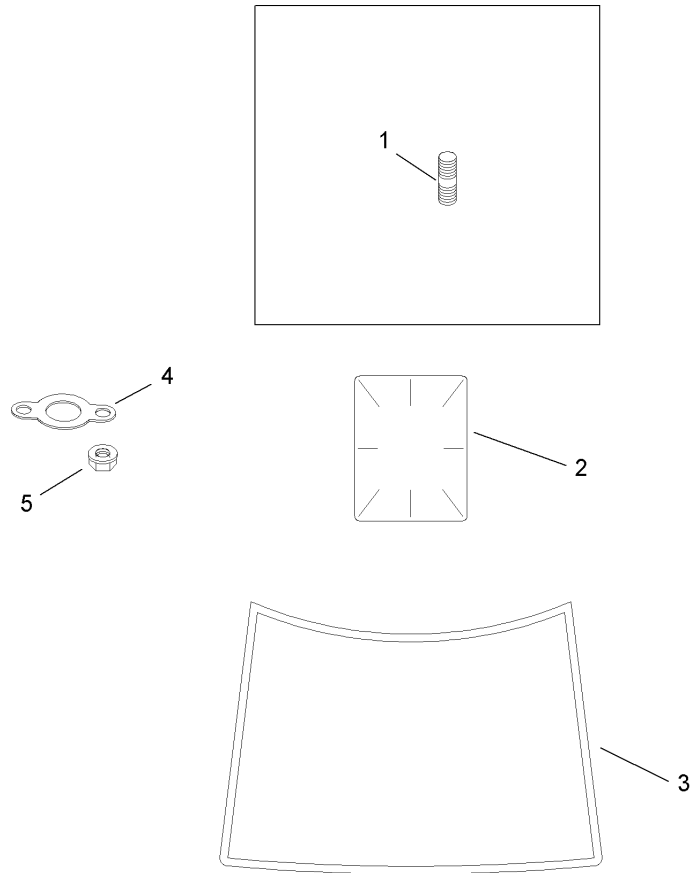
Ref	Part No.	Qty.	Description
⓸	M403025S	1	Screw-Hex Head Cap (M4X0.7X25)
⓹	M446030S	1	Nut-Hex (M4X0.7)
⓺	24 468 20S	1	Washer-Flat
⓻	24 089 55S	1	Spring-Governor
⓼	24 089 25S	1	Spring-Governor



Air Intake and Filtration Assembly Kohler SV720-0011

Ref	Part No.	Qty.	Description
❶	24 164 51S	1	Manifold-Intake (Includes 2-3)
❷	24 041 52S	1	Gasket-Carburetor
❸	24 153 27S	2	O Ring-Intake Port
❹	32 094 03S	1	Base-Air Cleaner (Includes 5-6)
❺	24 041 14S	1	Gasket-Air Cleaner Base
❻	32 344 02S	1	Latch-Air Cleaner Element
❼	98019	1	Element-Air Cleaner
❽	M651040S	4	Screw-Hex Flange (M6X1.0X40)

--	--	--	--



Artwork is representative.

Actual labels may differ depending on model and specification number.

Exhaust Stud, Gasket and Decal Assembly Kohler SV720-0011

Ref	Part No.	Qty.	Description
❶	25 072 04S	4	Stud (M8X1.25X33)
❷	25 113 39S	1	Decal-Clear Laminate
❸	32 113 12S	1	Decal-22 Hp
❹	24 041 49S	1	Gasket-Exhaust Manifold
❺	M841080S	4	Nut-Hex Flange (M8X1.25)
❶❷	32 522 03	1	Shortblock
❶❷	32 755 01S	1	Overhaul Kit

--	--	--	--

NOTES

NOTES

NOTES

