



G132 Rear-Engine Riding Mower

Model No. 70185 - 270805706 and up.

Parts Catalog

Ordering Replacement Parts

To order replacement parts, please supply the part number, the quantity, and the description of each part desired.

Understanding Reference Numbers

Each identified part in an illustration has a reference number. The reference number for a part also appears in the parts list, along with other information about the part.

This catalog uses two special reference number formats, one to indicate parts in a service assembly and another to indicate the quantity of a given part in an illustration.

Service Assembly Reference Numbers

Parts in service assemblies have reference numbers in the form a:b. The a represents the reference number of the entire service assembly and the b represents a sequential number unique to each part within the service assembly.

For example, a wheel assembly might be identified by reference number 6, the tire by 6:1, the valve by 6:2, and the wheel by 6:3. When you order the assembly identified by reference number 6, you receive all parts identified by reference numbers 6:1, 6:2, and 6:3. However, you may also order any part individually. Reference numbers of this type appear in illustrations and in part lists.

Reference Numbers Indicating Quantity

In an illustration, if a reference number indicates more than one part, the reference number has the form nX y. The n represents the quantity of the part, the X is the multiplication symbol, and the y represents the reference number.

For example, in an illustration, the reference number 2X 37 means that two of the parts identified by reference number 37 are indicated.

Contents

| Description | Page | Description | Page |
|---|----------|---|----------|
| Body and Decal Assembly | 3 | Oil Filter, Tube and Pump Assembly Briggs and Stratton 31G777-0121-E1 | 15 |
| Seat and Rear Bag Assembly | 4 | Crankcase Assembly Briggs and Stratton 31G777-0121-E1 | 16 |
| Front Axle and Steering Assembly | 5 | Carburetor Assembly Briggs and Stratton 31G777-0121-E1 | 17 |
| Deck and Spindle Assembly | 6 | Governor Assembly Briggs and Stratton 31G777-0121-E1 | 18 |
| Deck Suspension Assembly | 8 | Blower Housing Assembly Briggs and Stratton 31G777-0121-E1 | 19 |
| Engine and Fuel Tank Assembly | 9 | Starter Assembly Briggs and Stratton Model 31G777-0121-E1 | 20 |
| Gear Transmission and Linkage Assembly | 10 | Gasket Assembly Briggs and Stratton 31G777-0121-E1 | 21 |
| Electrical Assembly | 11 | Carburetor Overhaul Kit Assembly Briggs and Stratton 31G777-0121-E1 | 22 |
| Cylinder Assembly Briggs and Stratton 31G777-0121-E1 | 12 | | |
| Cylinder Head Assembly Briggs and Stratton 31G777-0121-E1 | 13 | | |
| Crankshaft Assembly Briggs and Stratton 31G777-0121-E1 | 14 | | |

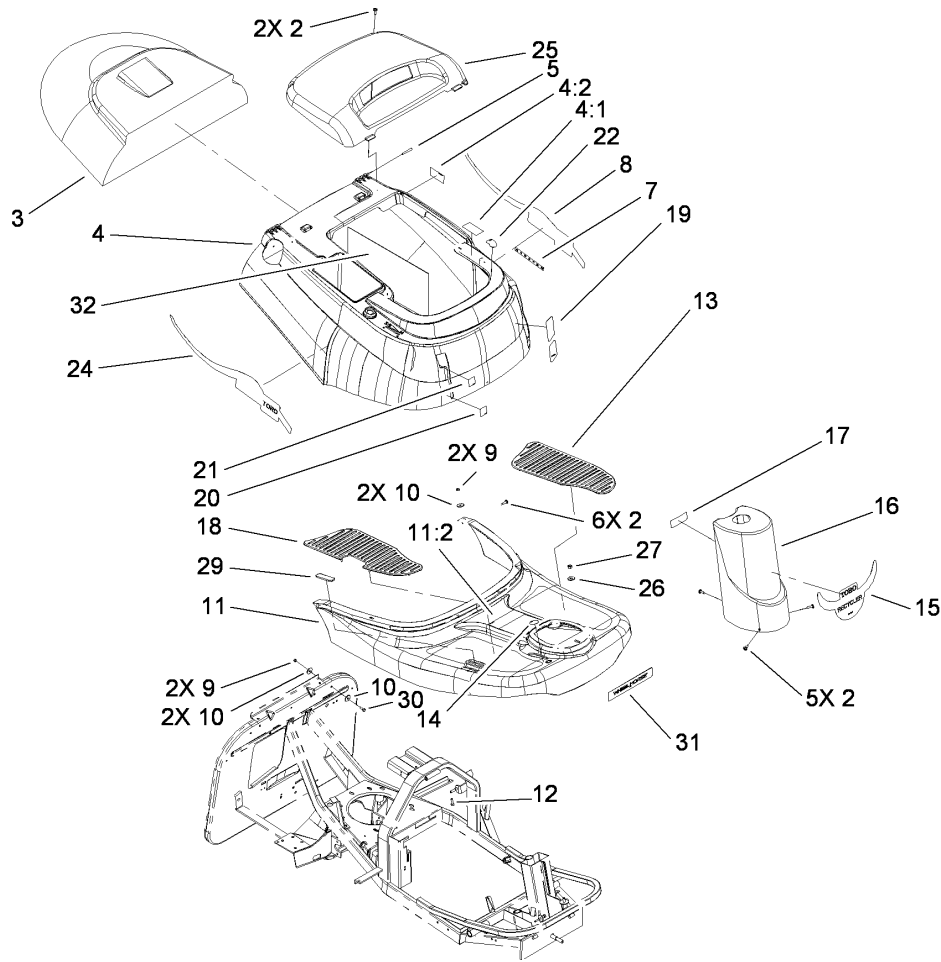
Part Description Abbreviations

Part descriptions in this catalog may include the following abbreviations.

| | |
|--|--|
| AR. as required | HYD. hydraulic |
| ASM. assembly | LH. left hand |
| BBC. blade brake clutch | NI. nylon insert |
| CARR. carriage | NPTF. national pipe thread fine |
| DEG. degrees | PFH. phillips flat head |
| EXT. external | PPH. phillips pan head |
| FH. flat head | PPHTF. phillips pan head thread forming |
| GA. gauge | PRH. phillips round head |
| HD. heavy-duty | PTH. phillips truss head |
| HF. hex flange | PTO. power-take-off |
| HH. hex head | RH. right hand |
| HHF. hex head flange | ROPS. roll-over protection system |
| HHFTF. hex head flange thread forming | SFH. slotted fillister head |
| HJ. hex jam | SHH. slotted hex head |
| HLH. hex lag head | SHWH. slotted hex washer head |
| HOC. height-of-cut | SPH. slotted pan head |
| HSBH. hex socket button head | SQH. square head |
| HSFH. hex socket flat head | SRH. slotted round head |
| HSH. hex socket head | STD. standard |
| HWH. hex washer head | TAP. self tapping |
| HWHTF. hex washer head thread forming | TTH. torx truss head |

Footnotes

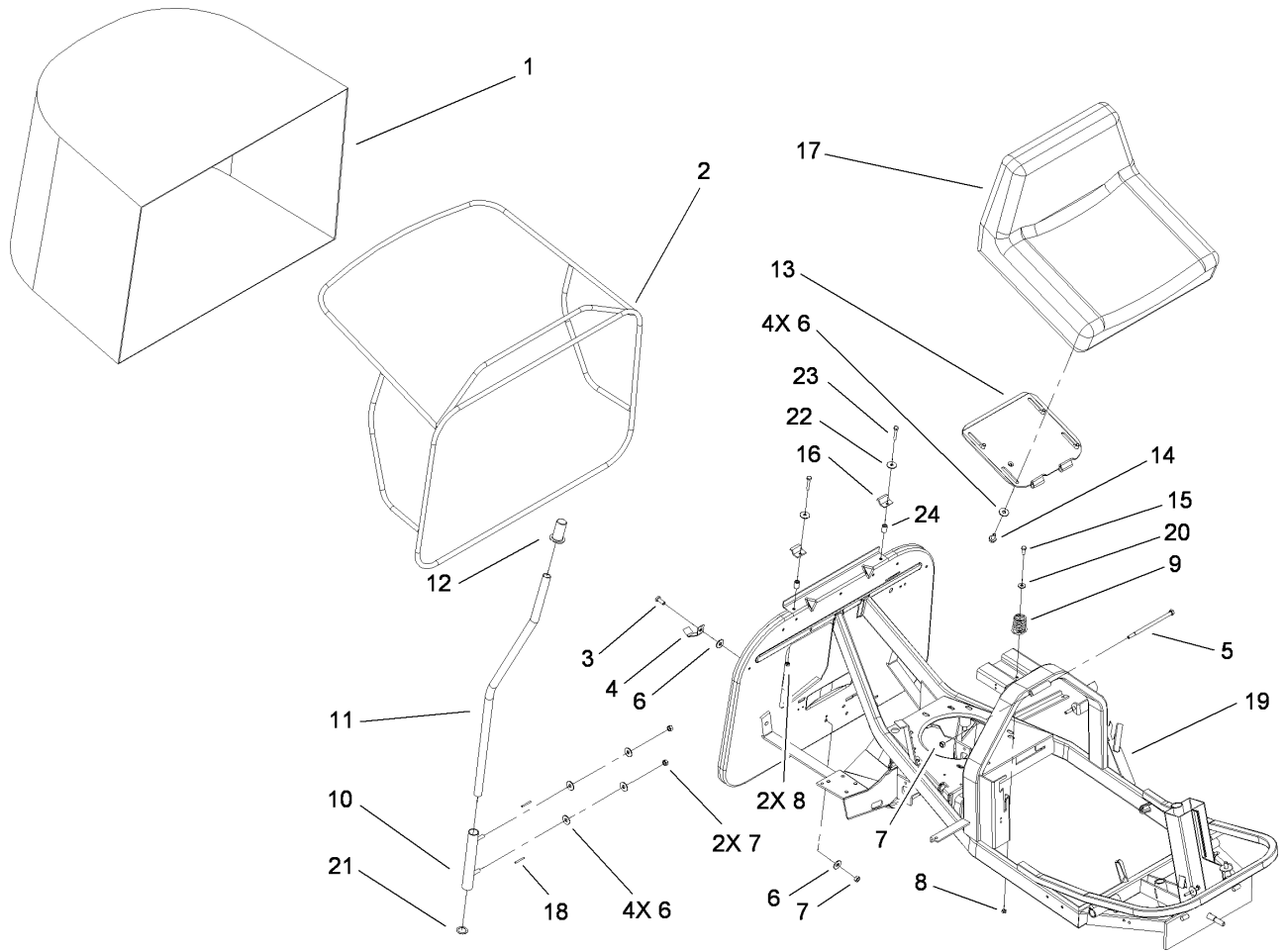
- | | |
|---|---|
| ❶ Not illustrated | ❷ Not serviced separately |
| ❸ Included in Engine Gasket Set-Ref. 358. | ❹ Included in Valve Gasket Set-Ref. 1095. |
| ❺ Included in Carburetor Overhaul Kit-Ref. 121. | ❻ Included in Carburetor Gasket Set-Ref. 977. |
| ❼ Obtain from your local Briggs & Stratton dealer | |



Body and Decal Assembly

| Ref | Part No. | Qty. | Description |
|-------|-----------|------|-------------------------|
| 2 | 106-2851 | 13 | Screw-HH, TAP |
| 3 | 106-1810 | 1 | Cover-Grass Bag |
| 4 | 106-2885 | 1 | Shroud And Decal ASM |
| ④4:1 | | 1 | Decal-Danger |
| ④4:2 | | 1 | Decal-Warning, Hot |
| 5 | 106-2870 | 2 | Pin-Dowel |
| ⑦7 | | 1 | Decal-Shift |
| 8 | 107-8978 | 1 | Decal |
| 9 | 49-7810 | 4 | Nut-Lock |
| 10 | 106-2853 | 5 | Washer-Flat |
| 11 | 106-2901 | 1 | Foot Rest And Decal ASM |
| ⑪11:2 | | 1 | Decal-Caution |
| 12 | 33113-020 | 2 | Screw-HH |
| 13 | 106-2973 | 1 | Floormat-LH |
| ⑭14 | | 1 | Decal-Clutch, Intl Rer |
| 15 | 106-6517 | 1 | Decal-Front |
| 16 | 106-2906 | 1 | Steering-Turret |
| ⑰17 | | 1 | Decal-Run Lights |
| 18 | 106-2972 | 1 | Floormat-RH |
| ⑱19 | | 1 | Decal-HOC |
| ⑳20 | | 1 | Decal-PTO, Disengage |
| ㉑21 | | 1 | Decal-PTO, Engage |
| ㉒22 | | 1 | Decal-Switch |
| 24 | 107-8979 | 1 | Decal |

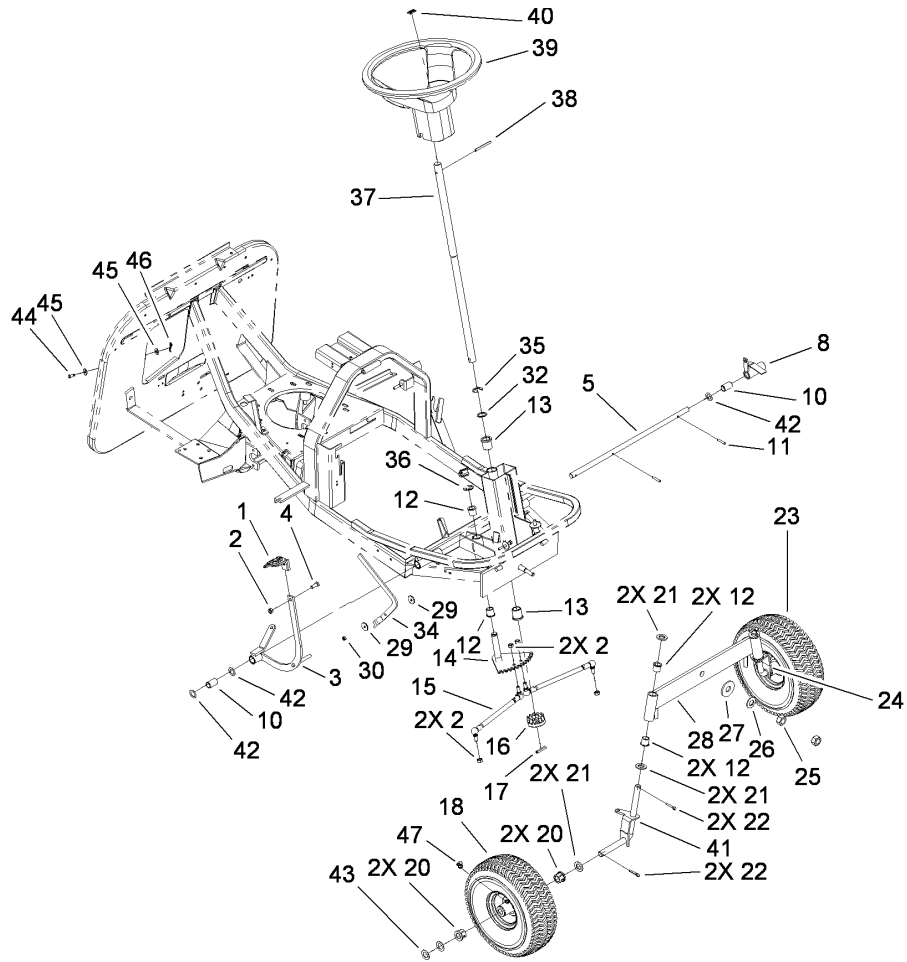
| Ref | Part No. | Qty. | Description |
|-----|-----------|------|--------------|
| 25 | 106-2860 | 1 | Cover-Engine |
| 26 | 106-2854 | 1 | Washer-Flat |
| 27 | 46-0330 | 1 | Nut-Lock |
| 29 | 106-2987 | 1 | Cover |
| 30 | 33113-016 | 2 | Screw-HH |
| 31 | 106-6525 | 1 | Decal |
| 32 | 107-2228 | 1 | Insulation |
| ①99 | 106-2887 | 1 | Decal Kit |



Seat and Rear Bag Assembly

| Ref | Part No. | Qty. | Description |
|-----|-----------|------|--------------------|
| 1 | 106-2867 | 1 | Bag-Grass |
| 2 | 114-3210 | 1 | Frame-Collector |
| 3 | 33114-020 | 1 | Screw-HH |
| 4 | 106-2969 | 1 | Hook-Bag |
| 5 | 106-1844 | 1 | Screw-HH |
| 6 | 106-2854 | 10 | Washer-Flat |
| 7 | 46-0330 | 4 | Nut-Lock |
| 8 | 49-7810 | 3 | Nut-Lock |
| 9 | 106-2945 | 1 | Spring-Compression |
| 10 | 106-2927 | 1 | Support |
| 11 | 106-2928 | 1 | Lever |
| 12 | 106-2903 | 1 | Knob |
| 13 | 106-2944 | 1 | Plate-Seat |
| 14 | 33104-016 | 4 | Screw-HHF |
| 15 | 33113-016 | 1 | Screw-HH |
| 16 | 106-2929 | 2 | Clip |
| 17 | 106-2857 | 1 | Seat |
| 18 | 106-2871 | 2 | Pin-Spring |
| 19 | 114-3187 | 1 | Frame-Complete |
| 20 | 106-2865 | 1 | Washer-Flat |
| 21 | 106-1807 | 1 | Spacer |
| 22 | 106-2853 | 2 | Washer-Flat |
| 23 | 33113-035 | 2 | Screw-HH |
| 24 | 114-3212 | 2 | Spacer-Collector |

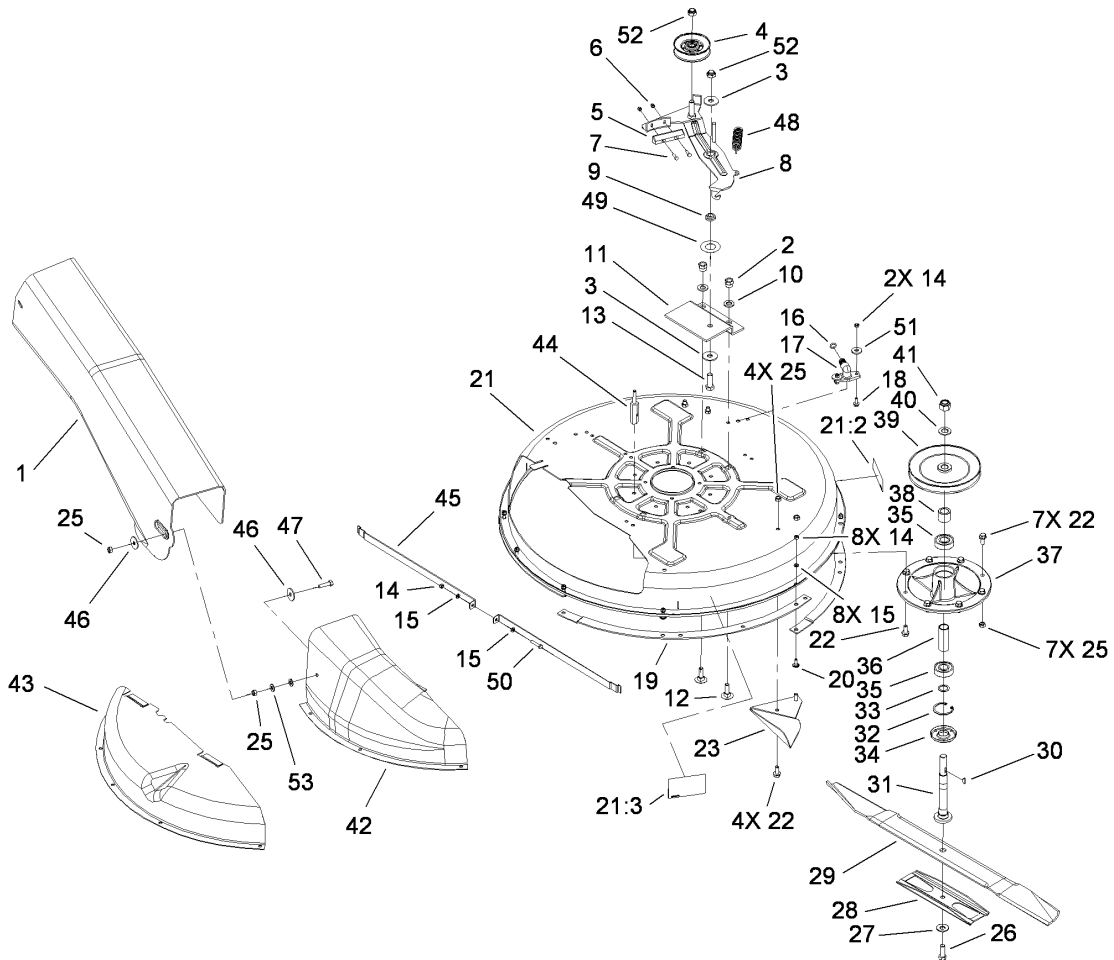
| | | | |
|--|--|--|--|
| | | | |
| | | | |
| | | | |
| | | | |



Front Axle and Steering Assembly

| Ref | Part No. | Qty. | Description |
|-----|-----------|------|----------------|
| 1 | 106-2957 | 1 | Pedal-Brake |
| 2 | 46-0330 | 5 | Nut-Lock |
| 3 | 114-3207 | 1 | Lever-Clutch |
| 4 | 33114-020 | 1 | Screw-HH |
| 5 | 106-2985 | 1 | Shaft |
| 8 | 106-2978 | 1 | Bushing |
| 10 | 106-2962 | 2 | Bushing |
| 11 | 106-2874 | 2 | Pin-Dowel |
| 12 | 106-1811 | 6 | Bushing |
| 13 | 106-2873 | 2 | Bushing |
| 14 | 106-2868 | 1 | Rack-Steering |
| 15 | 106-2933 | 2 | Rod-Tie |
| 16 | 106-2878 | 1 | Gear-Steering |
| 17 | 106-1845 | 1 | Pin-Spiral |
| 18 | 106-2951 | 2 | Wheel |
| 20 | 106-6508 | 4 | Bushing |
| 21 | 33098-00 | 6 | Washer-Flat |
| 22 | 3272-21 | 4 | Pin-Cotter |
| 23 | 106-2907 | 2 | Tire |
| 24 | 106-2953 | 1 | Axle-Wheel, LH |
| 25 | 33018-00 | 2 | Nut-Hex |
| 26 | 106-2926 | 1 | Washer-Bell |
| 27 | 106-2925 | 1 | Washer-Flat |
| 28 | 106-2864 | 1 | Axle-Front |

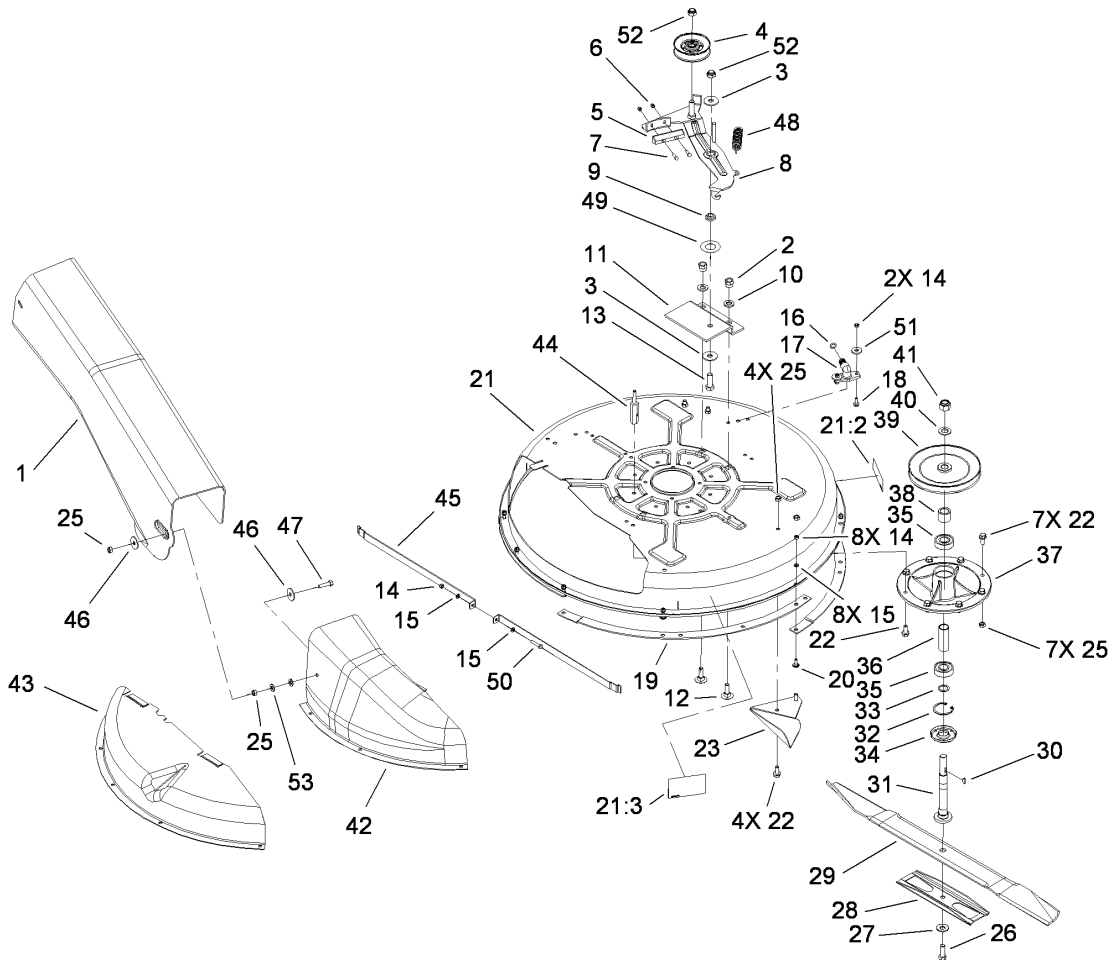
| Ref | Part No. | Qty. | Description |
|-----|----------|------|---------------------|
| 29 | 106-2853 | 2 | Washer-Flat |
| 30 | 49-7810 | 1 | Nut-Lock |
| 32 | 106-1807 | 1 | Spacer |
| 34 | 106-2961 | 1 | Lever |
| 35 | 106-2909 | 1 | Ring-Retaining, EXT |
| 36 | 106-2908 | 1 | Ring-Retaining, EXT |
| 37 | 106-2872 | 1 | Shaft-Steering |
| 38 | 106-1846 | 1 | Pin-Roll |
| 39 | 106-2883 | 1 | Wheel-Steering |
| 40 | 98-1459 | 1 | Decal |
| 41 | 106-2952 | 1 | Axle-Wheel, RH |
| 42 | 106-1835 | 3 | Spacer |
| 43 | 106-6544 | 4 | Washer |
| 44 | 106-6543 | 1 | Pin-Grooved |
| 45 | 106-2865 | 2 | Washer-Flat |
| 46 | 106-2879 | 1 | Pin-Hair |
| 47 | 106-6546 | 2 | Zerk-Grease, 90 DEG |



Deck and Spindle Assembly

| Ref | Part No. | Qty. | Description |
|------|-----------|------|-----------------------|
| 1 | 106-2970 | 1 | Tube-Discharge |
| 2 | 46-0090 | 2 | Nut-Lock |
| 3 | 106-2922 | 2 | Washer-Flat |
| 4 | 106-1813 | 1 | Pulley-Idler |
| 5 | 106-1814 | 1 | Brake-Rubber |
| 6 | 46-0410 | 2 | Nut-Lock |
| 7 | 60-6910 | 2 | Screw |
| 8 | 114-3209 | 1 | Brake-Assembly |
| 9 | 106-2892 | 1 | Bushing |
| 10 | 33096-00 | 2 | Washer-Flat |
| 11 | 106-2884 | 1 | Bracket-Deck |
| 12 | 33126-035 | 2 | Screw-CARR |
| 13 | 33116-035 | 1 | Screw-HH |
| 14 | 49-7810 | 11 | Nut-Lock |
| 15 | 33093-00 | 10 | Washer-Flat |
| 16 | 106-1847 | 1 | O-Ring |
| 17 | 95-2747 | 1 | Fitting-Washout |
| 18 | 33103-016 | 2 | Screw-HHF |
| 19 | 80-4490 | 4 | Ring-Deck |
| 20 | 106-6510 | 8 | Screw-Sh |
| 21 | 106-6545 | 1 | Deck ASM |
| 21:2 | | 1 | Decal-Caution |
| 21:3 | | 1 | Decal-Discharge Cover |
| 22 | 33104-020 | 12 | Screw-HHF |

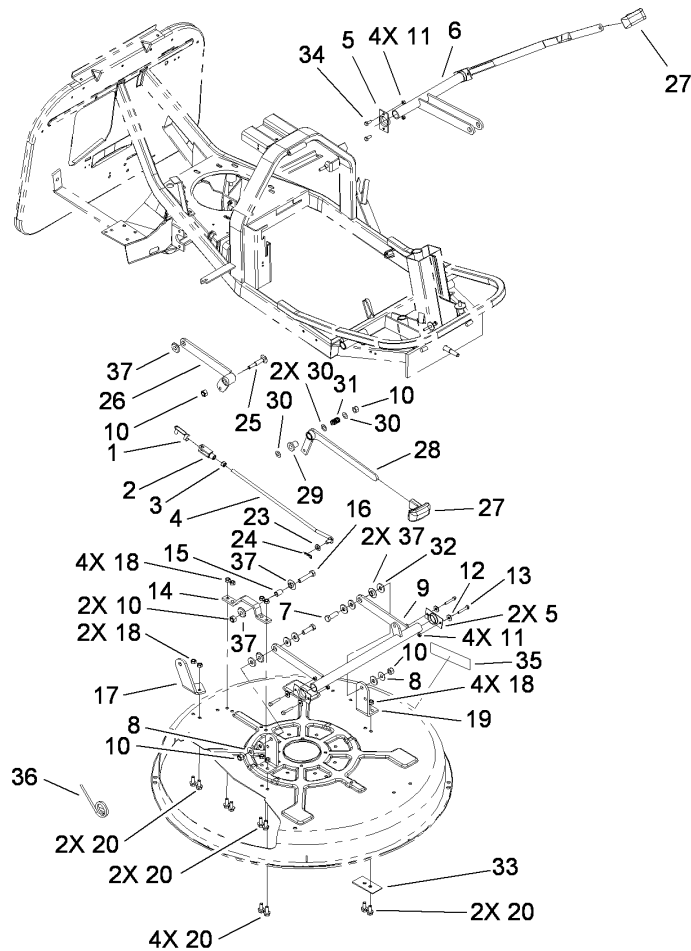
| Ref | Part No. | Qty. | Description |
|-----|-----------|------|------------------|
| 23 | 80-2630 | 2 | Kicker |
| 25 | 46-0330 | 13 | Nut-Lock |
| 26 | 3212-5 | 1 | Screw-HH |
| 27 | 106-2858 | 1 | Washer-Bell |
| 28 | 80-4570 | 1 | Stiffener |
| 29 | 106-6547 | 1 | Blade-Recycler |
| 30 | 106-1805 | 1 | Key |
| 31 | 106-2902 | 1 | Shaft-Spindle |
| 32 | 106-2910 | 1 | Ring-Snap |
| 33 | 106-1807 | 1 | Spacer |
| 34 | 80-4370 | 1 | Shield-Bearing |
| 35 | 251-297 | 2 | Bearing-Ball |
| 36 | 106-2888 | 1 | Spacer |
| 37 | 56-7030 | 1 | Spindle |
| 38 | 106-1842 | 1 | Spacer |
| 39 | 106-1812 | 1 | Pulley |
| 40 | 33098-00 | 1 | Washer-Flat |
| 41 | 106-2914 | 1 | Nut-Hex |
| 42 | 106-2898 | 1 | Tunnel-Discharge |
| 43 | 106-2899 | 1 | Cover-Recycler |
| 44 | 106-2897 | 1 | Guide-Belt |
| 45 | 106-6542 | 2 | Strap-Deck |
| 46 | 106-2855 | 2 | Washer-Flat |
| 47 | 33114-030 | 1 | Screw-HH |



Deck and Spindle Assembly (continued)

| Ref | Part No. | Qty. | Description |
|-----|-----------|------|------------------|
| 48 | 106-1838 | 1 | Spring-Extension |
| 49 | 106-2893 | 1 | Spacer |
| 50 | 33113-030 | 1 | Screw-HH |
| 51 | 106-2865 | 2 | Washer-Flat |
| 52 | 106-6513 | 2 | Nut-Lock |
| 53 | 33094-00 | 2 | Washer-Plain |

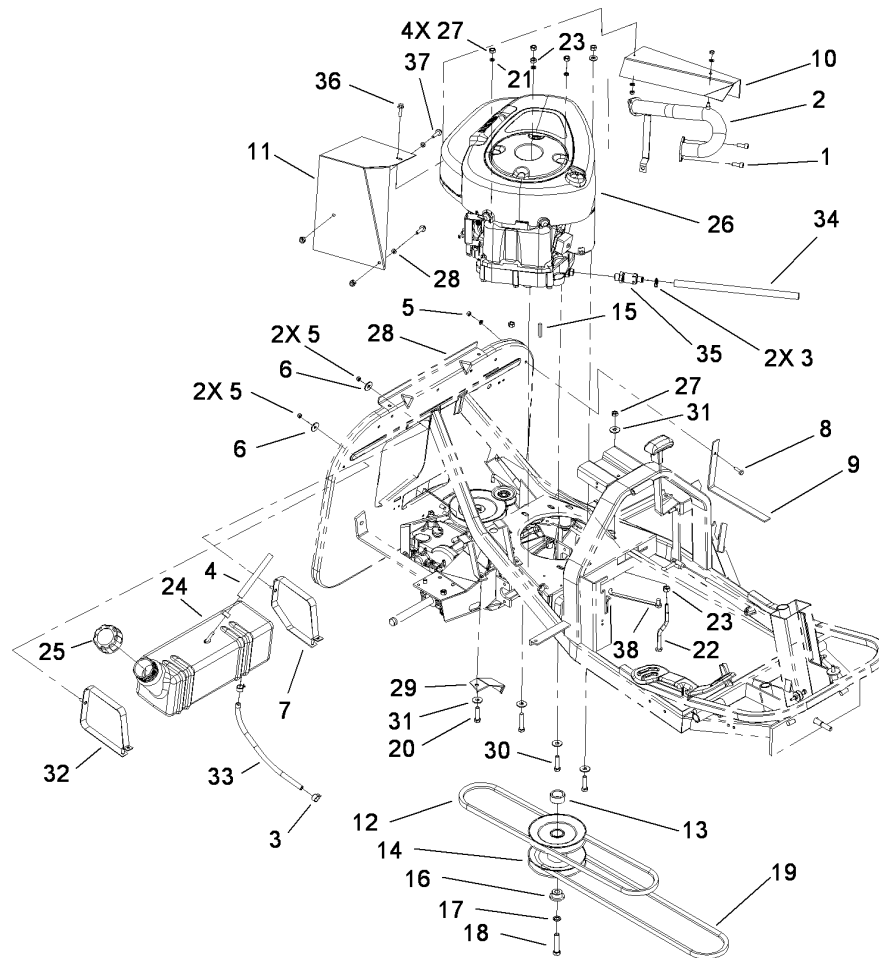
| Ref | Part No. | Qty. | Description |
|-----|----------|------|-------------|
| | | | |
| | | | |
| | | | |
| | | | |
| | | | |



Deck Suspension Assembly

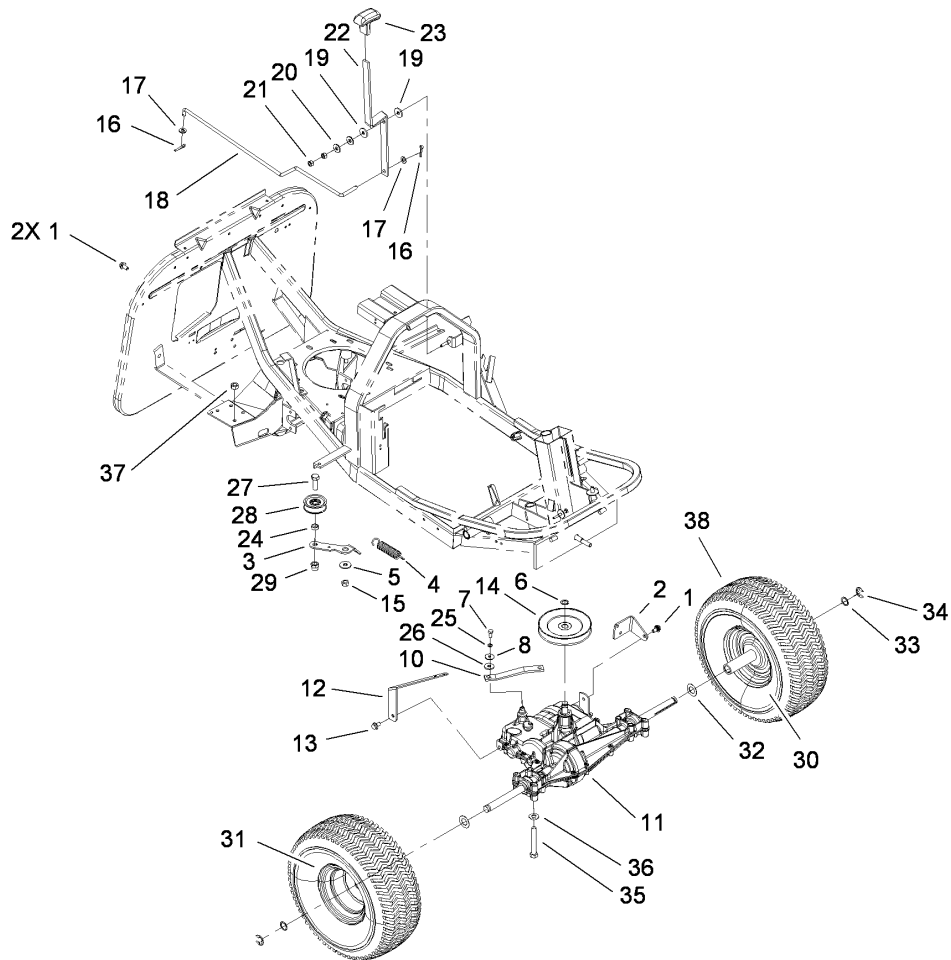
| Ref | Part No. | Qty. | Description |
|-----|-----------|------|----------------------|
| 1 | 106-1809 | 1 | Retainer-Yoke |
| 2 | 106-1803 | 1 | Yoke |
| 3 | 33014-00 | 1 | Nut-Hex |
| 4 | 106-2937 | 1 | Rod-Tie |
| 5 | 106-2880 | 3 | Bracket-Support |
| 6 | 114-3199 | 1 | Lift Lever ASM |
| 7 | 33115-035 | 2 | Screw-HH |
| 8 | 106-6511 | 2 | Washer-Flat |
| 9 | 114-3197 | 1 | Deck Hanger ASM |
| 10 | 33025-00 | 6 | Nut-Lock |
| 11 | 49-7810 | 8 | Nut-Lock |
| 12 | 106-2865 | 4 | Washer-Flat |
| 13 | 33113-035 | 4 | Screw-HH |
| 14 | 106-2895 | 1 | Bracket-Deck |
| 15 | 106-2912 | 1 | Bushing |
| 16 | 33115-050 | 1 | Screw-HH |
| 17 | 106-2894 | 1 | Bracket-Deck |
| 18 | 46-0330 | 10 | Nut-Lock |
| 19 | 106-2896 | 2 | Bracket-Deck |
| 20 | 33104-020 | 10 | Screw-HHF |
| 23 | 33094-00 | 1 | Washer-Plain |
| 24 | 106-2879 | 1 | Pin-Hair |
| 25 | 106-2882 | 1 | Screw-CARR |
| 26 | 114-3198 | 1 | Deck-Hanger, Support |

| Ref | Part No. | Qty. | Description |
|-----|-----------|------|-----------------------|
| 27 | 106-2967 | 2 | Handle |
| 28 | 106-2954 | 1 | Lever-Blade, Clutch |
| 29 | 106-2955 | 1 | Bushing |
| 30 | 106-2869 | 3 | Shim |
| 31 | 106-2950 | 1 | Spring-Compression |
| 32 | 106-1806 | 6 | Washer |
| 33 | 106-6512 | 1 | Plate |
| 34 | 33113-016 | 4 | Screw-HH |
| 35 | 106-6406 | 1 | Decal-Recycler |
| 36 | 107-2229 | 1 | Spring-Lift, Deck |
| 37 | 114-3203 | 5 | Bushing-Linkage, Deck |



Engine and Fuel Tank Assembly

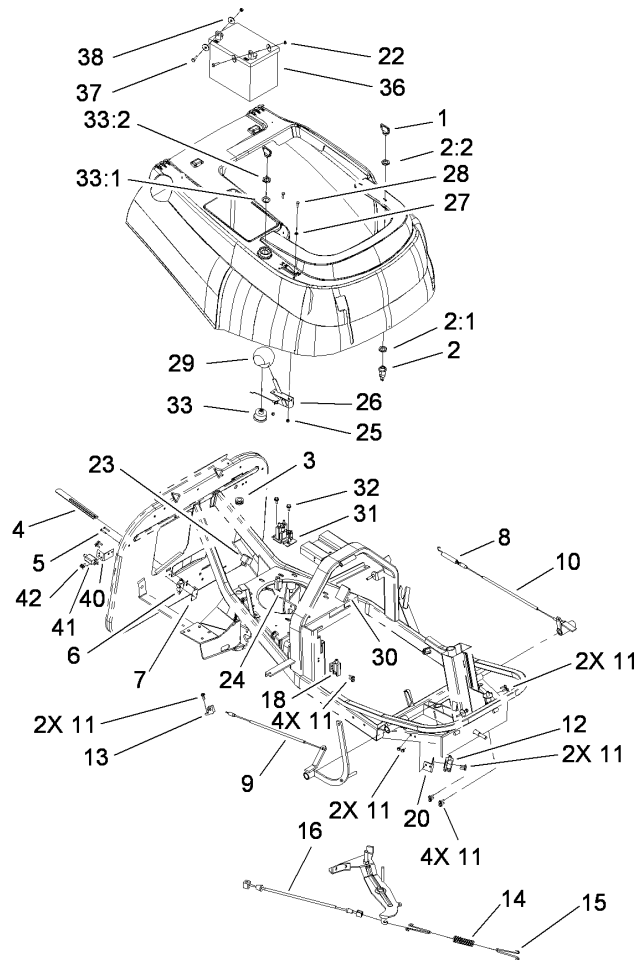
| Ref | Part No. | Qty. | Description | Ref | Part No. | Qty. | Description |
|-----|-----------|------|-----------------------|-----|-----------|------|---|
| 1 | 3274-10 | 2 | Screw-HSH | 25 | 55-3576 | 1 | Gas Cap ASM |
| 2 | 107-2233 | 1 | Pipe-Exhaust | 26 | | 1 | Engine-Briggs And Stratton, 31G777-0121-E1 |
| 3 | 107-2210 | 4 | Clamp-Tube | 27 | 46-0330 | 7 | Nut-Lock |
| 4 | 106-2990 | 1 | Hose-Fuel | 28 | 33093-00 | 8 | Washer-Flat |
| 5 | 49-7810 | 5 | Nut-Lock | 29 | 107-2239 | 1 | Bracket, Drive Belt |
| 6 | 106-2853 | 2 | Washer-Flat | 30 | 33114-045 | 1 | Screw-HH |
| 7 | 106-6541 | 1 | Strap-Fuel Tank, Left | 31 | 106-2854 | 5 | Washer-Flat |
| 8 | 33113-020 | 1 | Screw-HH | 32 | 106-6540 | 1 | Strap-Fuel Tank, Right |
| 9 | 106-1828 | 1 | Guard-Muffler | 33 | 107-1555 | 1 | Hose-Fuel |
| 10 | 107-2235 | 1 | Shield-Pipe, Exhaust | 34 | 107-2241 | 1 | Tube-Drain, Oil |
| 11 | 107-2234 | 1 | Shield-Muffler, Rear | 35 | 92-6877 | 1 | Valve-Drain, Oil |
| 12 | 106-2905 | 1 | Belt | 36 | 33103-025 | 1 | Screw-HHF |
| 13 | 106-1836 | 1 | Spacer | 37 | 33103-030 | 2 | Screw-HHF |
| 14 | 106-2915 | 1 | Pulley | 38 | 110-8650 | 1 | Belt-Guide |
| 15 | 67-7490 | 1 | Key-Square | 99 | 107-8937 | 1 | Plug-Wrench |
| 16 | 106-1837 | 1 | Spacer | | | | |
| 17 | 106-2856 | 1 | Washer-Lock | | | | |
| 18 | 3212-8 | 1 | Screw-HH | | | | |
| 19 | 106-1826 | 1 | Belt-Deck, Gear | | | | |
| 20 | 33114-035 | 3 | Screw-HH | | | | |
| 21 | 33094-00 | 1 | Washer-Plain | | | | |
| 22 | 106-2974 | 2 | Guide-Belt | | | | |
| 23 | 33014-00 | 2 | Nut-Hex | | | | |
| 24 | 106-6537 | 1 | Tank-Fuel | | | | |



Gear Transmission and Linkage Assembly

| Ref | Part No. | Qty. | Description |
|-----|----------|------|----------------------------|
| 1 | 106-6516 | 3 | Screw-HHF TAP |
| 2 | 106-2979 | 1 | Bracket |
| 3 | 106-2938 | 1 | Bracket-Idler |
| 4 | 106-2936 | 1 | Spring-Extension |
| 5 | 106-2921 | 1 | Washer-Flat |
| 6 | 106-2862 | 1 | Ring-External |
| 7 | 321-3 | 1 | Screw-HH |
| 8 | 106-2853 | 1 | Washer-Flat |
| 10 | 106-2976 | 1 | Bracket |
| 11 | 110-8649 | 1 | Differential-Gear |
| 12 | 114-3123 | 1 | Plate-Switch, Transmission |
| 13 | 106-6516 | 1 | Screw-HHF TAP |
| 14 | 106-2932 | 1 | Pulley |
| 15 | 33025-00 | 1 | Nut-Lock |
| 16 | 3272-21 | 2 | Pin-Cotter |
| 17 | 33094-00 | 2 | Washer-Plain |
| 18 | 114-3122 | 1 | Link-Transmission, Dana |
| 19 | 106-2975 | 2 | Washer |
| 20 | 106-2854 | 2 | Washer-Flat |
| 21 | 33014-00 | 2 | Nut-Hex |
| 22 | 106-2935 | 1 | Lever-Clutch |
| 23 | 106-2967 | 1 | Handle |
| 24 | 106-2986 | 1 | Spacer |
| 25 | 106-6506 | 1 | Washer-Lock/Sp |

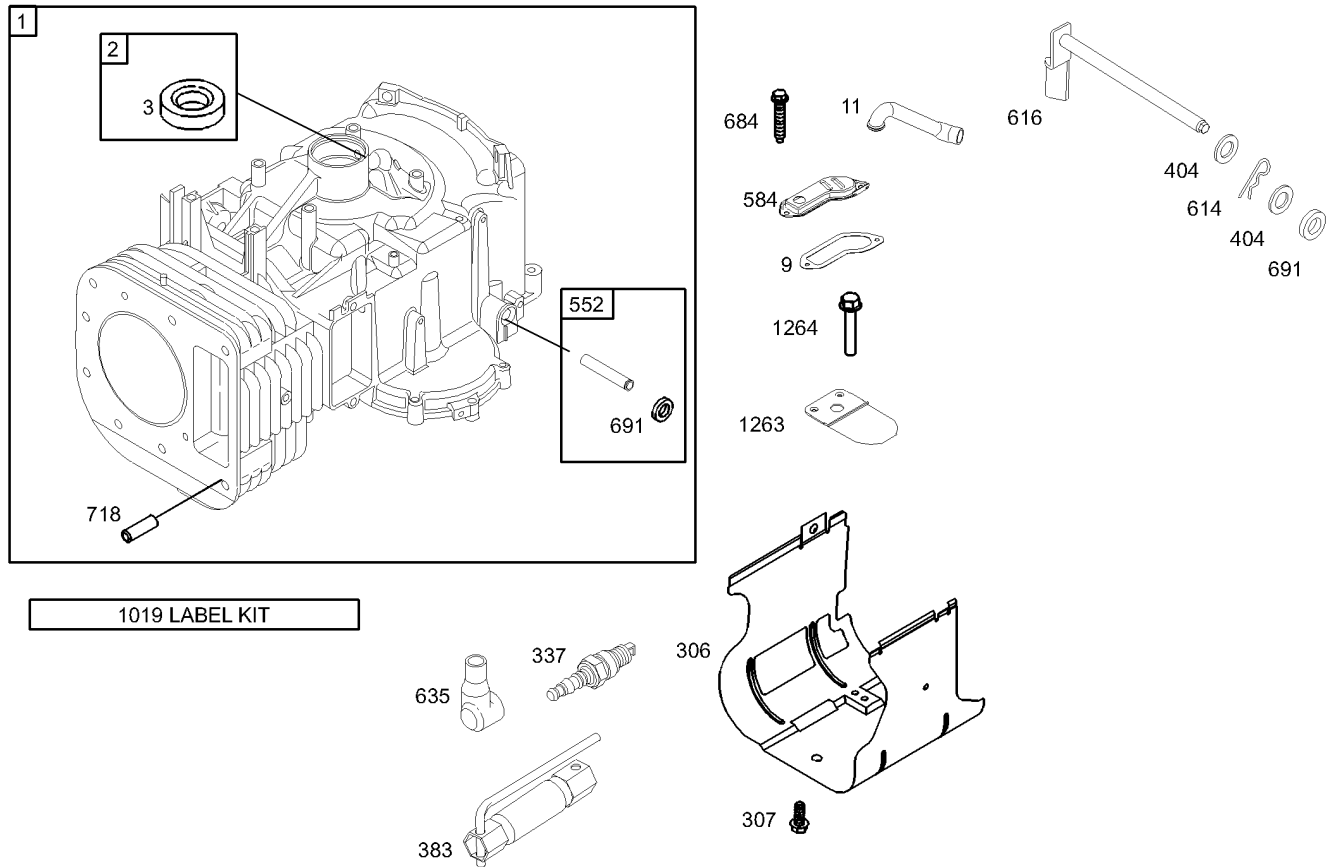
| Ref | Part No. | Qty. | Description |
|-----|-----------|------|---------------------|
| 26 | 106-6514 | 1 | Washer-Flat |
| 27 | 33116-035 | 1 | Screw-HH |
| 28 | 114-3206 | 1 | Pulley |
| 29 | 46-0090 | 1 | Nut-Lock |
| 30 | 114-3200 | 1 | Wheel-Rear Left |
| 31 | 114-3201 | 1 | Wheel-Rear Right |
| 32 | 114-3190 | 2 | Spacer-Inner |
| 33 | 114-3202 | 2 | Spacer-Outer |
| 34 | 106-2909 | 2 | Ring-Retaining, EXT |
| 35 | 33114-060 | 4 | Screw-HH |
| 36 | 33094-00 | 4 | Washer-Plain |
| 37 | 46-0330 | 4 | Nut-Lock |
| 38 | 106-2913 | 2 | Tire |



Electrical Assembly

| Ref | Part No. | Qty. | Description |
|-----|----------|------|---------------------|
| 1 | 63-8360 | 2 | Key-Ignition |
| 2 | 46-5780 | 1 | Switch-Starter |
| 2:1 | 3254-5 | 1 | Washer-Tooth |
| 2:2 | 218-461 | 1 | Nut-HH |
| 3 | 106-2863 | 1 | Grommet |
| 4 | 106-1831 | 1 | Lever-Bag Fill |
| 5 | 106-2850 | 2 | Screw |
| 6 | 106-1843 | 1 | Switch |
| 7 | 106-1827 | 1 | Clamp-Bag Fill |
| 8 | 106-2981 | 1 | Spring-Extension |
| 9 | 106-2983 | 1 | Cable |
| 10 | 106-2982 | 1 | Cable |
| 11 | 106-1849 | 16 | Screw-HH, TAP |
| 12 | 65-7410 | 1 | Switch-Pole, Single |
| 13 | 106-2998 | 1 | Switch |
| 14 | 106-2917 | 1 | Spring-Compression |
| 15 | 106-2918 | 2 | Hook-Spring |
| 16 | 106-2956 | 1 | Cable |
| 18 | 86-4690 | 1 | Switch-Interlock |
| 20 | 106-1816 | 1 | Bracket-Switch |
| 22 | 33013-00 | 2 | Nut-Hex |
| 23 | 98-7249 | 1 | Relay |
| 24 | 65-7410 | 1 | Switch-Pole, Single |
| 25 | 46-0410 | 2 | Nut-Lock |

| Ref | Part No. | Qty. | Description |
|------|-----------|------|---------------------------|
| 26 | 106-2916 | 1 | Throttle Cable ASM |
| 27 | 52-6430 | 2 | Washer |
| 28 | 60-6910 | 2 | Screw |
| 29 | 106-2989 | 1 | Knob |
| 30 | 99-3700 | 1 | Module |
| 31 | 47-1910 | 1 | Solenoid |
| 32 | 106-2852 | 2 | Screw-HHF, TAP |
| 33 | 88-9830 | 1 | Key Switch ASM |
| 33:1 | 3254-5 | 1 | Washer-Tooth |
| 33:2 | 218-461 | 1 | Nut-HH |
| 36 | 104-1755 | 1 | Battery |
| 37 | 33113-020 | 2 | Screw-HH |
| 38 | 106-2853 | 4 | Washer-Flat |
| 39 | 114-3214 | 1 | Harness-Wiring, Gear |
| 40 | 114-3211 | 1 | Bracket-Collector, Switch |
| 41 | 65-7410 | 1 | Switch-Pole, Single |
| 42 | 106-1849 | 4 | Screw-HH, TAP |

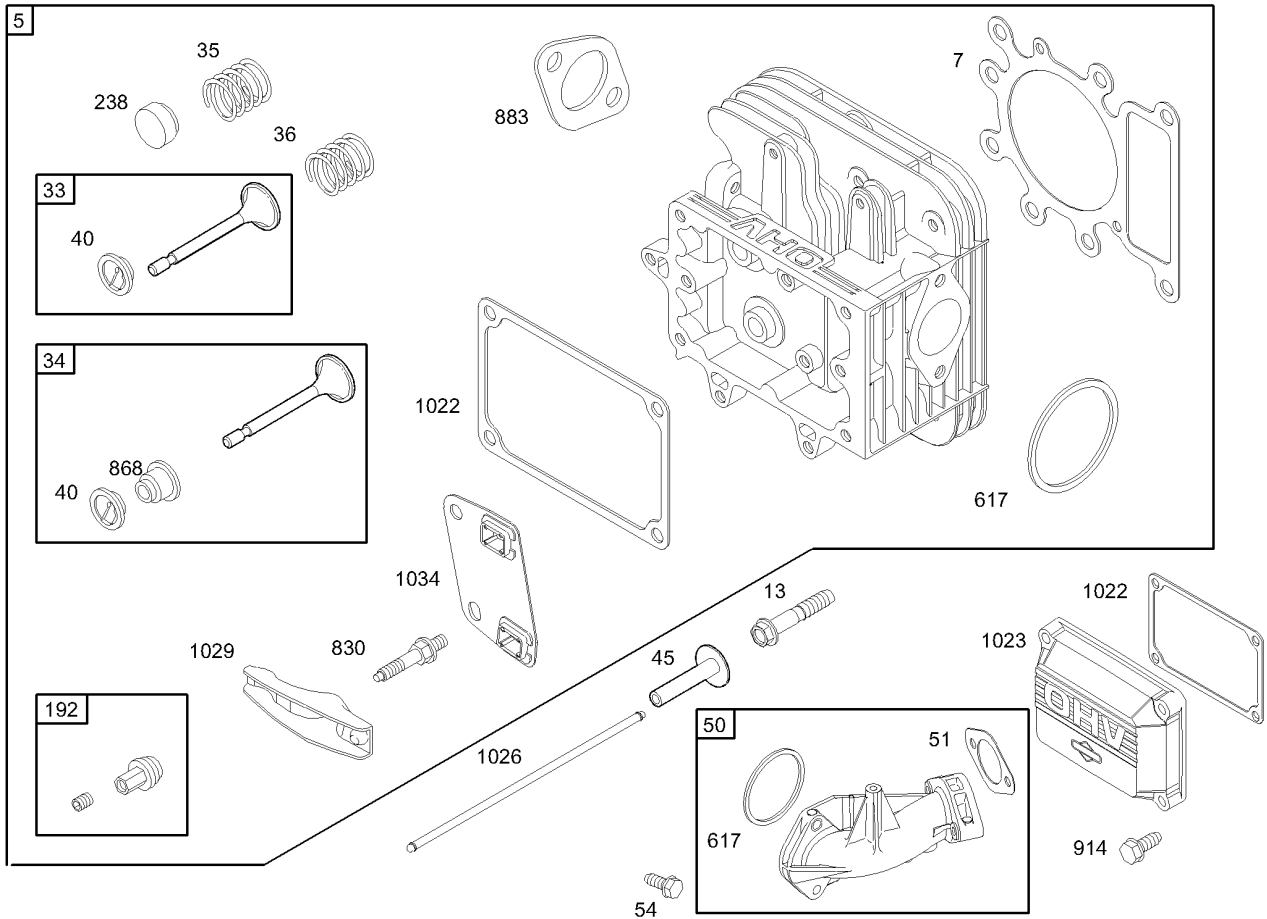


Assemblies include all parts shown in frames.

Cylinder Assembly Briggs and Stratton 31G777-0121-E1

| Ref | Part No. | Qty. | Description |
|-----|----------|------|-------------------------|
| 1 | 697174 | 1 | Cylinder ASM |
| 2 | 399265 | 1 | Bushing And Seal Kit |
| 3 | 391086 | 1 | Seal-Oil |
| 4 | 697109 | 1 | Gasket-Breather |
| 5 | 697113 | 1 | Tube-Breather |
| 6 | 697762 | 1 | Short Block ASM |
| 7 | 697107 | 1 | Shield-Cylinder |
| 8 | 691003 | 1 | Screw |
| 9 | 691043 | 1 | Spark Plug |
| 10 | 89838 | 1 | Wrench-Plug, Spark |
| 11 | 691691 | 1 | Washer |
| 12 | 697144 | 1 | Bushing-Crank, Governor |
| 13 | 697112 | 1 | Cover-Passage, Breather |
| 14 | 691620 | 1 | Pin-Cotter |
| 15 | 692012 | 1 | Crank-Governor |
| 16 | 691909 | 1 | Boot-Spark Plug |
| 17 | 697157 | 1 | Screw |
| 18 | 692407 | 1 | Seal-Shaft, Governor |
| 19 | 690959 | 1 | Pin-Locating |
| 20 | 697143 | 1 | Label Kit |
| 21 | 697124 | 1 | Reed-Breather |
| 22 | 697104 | 1 | Screw |

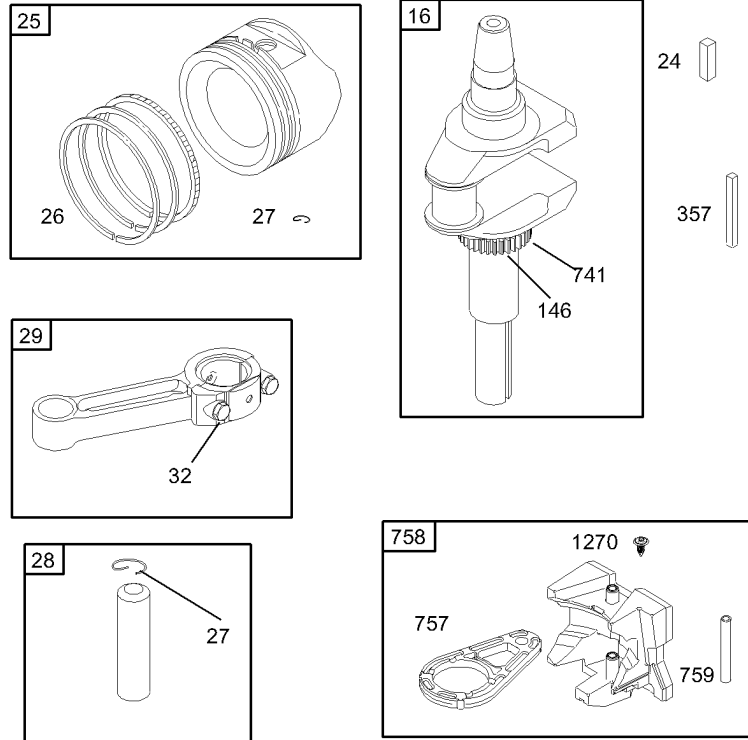
| | | | |
|--|--|--|--|
| | | | |
| | | | |
| | | | |
| | | | |



Cylinder Head Assembly Briggs and Stratton 31G777-0121-E1

| Ref | Part No. | Qty. | Description |
|--------|----------|------|----------------------|
| 75 | 698147 | 1 | Head-Cylinder |
| 347 | 692410 | 1 | Gasket-Cylinder Head |
| 7 | | | |
| 713 | 690360 | 1 | Screw |
| 733 | 695760 | 1 | Valve-Exhaust |
| 734 | 695761 | 1 | Valve-Intake |
| 735 | 691279 | 1 | Spring-Valve |
| 736 | 691279 | 1 | Spring-Valve |
| 740 | 691752 | 1 | Retainer-Valve |
| 745 | 690564 | 1 | Tappet-Valve |
| 750 | 690193 | 1 | Manifold-Intake |
| 3451 | 692137 | 1 | Gasket-Intake |
| 56 | | | |
| 754 | 691148 | 1 | Screw |
| 7192 | 691986 | 1 | Adjustor-Arm, Rocker |
| 7238 | 691843 | 1 | Cap-Valve |
| 35617 | 692138 | 1 | Seal-O Ring |
| 7 | | | |
| 7830 | 691095 | 1 | Stud-Arm, Rocker |
| 34868 | 690968 | 1 | Seal-Valve |
| 7 | | | |
| 7883 | 692236 | 1 | Gasket-Exhaust |
| 7914 | 690960 | 1 | Screw |
| 371022 | 272475 | 1 | Gasket-Cover, Rocker |
| 71023 | 692492 | 1 | Cover-Rocker |

| Ref | Part No. | Qty. | Description |
|-------|----------|------|-----------------|
| 71026 | 692003 | 1 | Rod-Push |
| 7 | 692011 | 1 | Rod-Push |
| 71029 | 691751 | 1 | Arm-Rocker |
| 71034 | 690822 | 1 | Guide-Rod, Push |

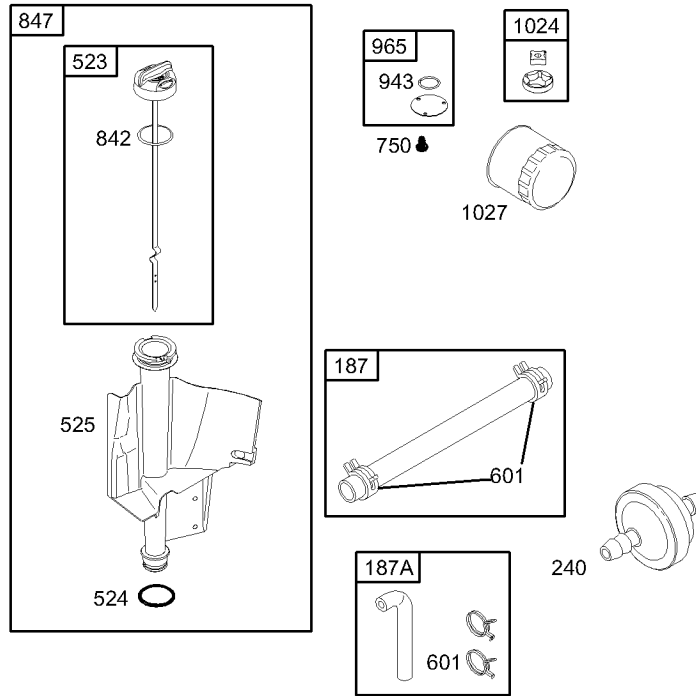


Assemblies include all parts shown in frames.

Crankshaft Assembly Briggs and Stratton 31G777-0121-E1

| Ref | Part No. | Qty. | Description |
|------|----------|------|-----------------------------------|
| 16 | 697127 | 1 | Crankshaft |
| 24 | 222698 | 1 | Key |
| 25 | 697159 | 1 | Piston ASM (Standard) |
| 7 | 697160 | 1 | Piston ASM (.010" Oversize) |
| 7 | 697162 | 1 | Piston ASM (.020" Oversize) |
| 7 | 697163 | 1 | Piston ASM (.030" Oversize) |
| 26 | 697164 | 1 | Ring Set (Standard) |
| 7 | 697165 | 1 | Ring Set (.010" Oversize) |
| 7 | 697171 | 1 | Ring Set (.020" Oversize) |
| 7 | 697172 | 1 | Ring Set (.030" Oversize) |
| 27 | 698469 | 1 | Lock-Pin, Piston |
| 28 | 697099 | 1 | Pin-Piston (STD) |
| 29 | 697126 | 1 | Rod-Connecting (Standard) |
| 7 | 697263 | 1 | Rod-Connecting (.020In Undersize) |
| 32 | 692852 | 1 | Screw |
| 146 | 691639 | 1 | Key-Timing |
| 357 | 691483 | 1 | Key-Pulley, Drive |
| 741 | 697128 | 1 | Gear-Timing |
| 757 | 697607 | 1 | Link-Counterweight |
| 758 | 697134 | 1 | Counterweight |
| 759 | 697392 | 1 | Pin-Counterweight |
| 1270 | 697156 | 1 | Plug-Counterweight, Avs |

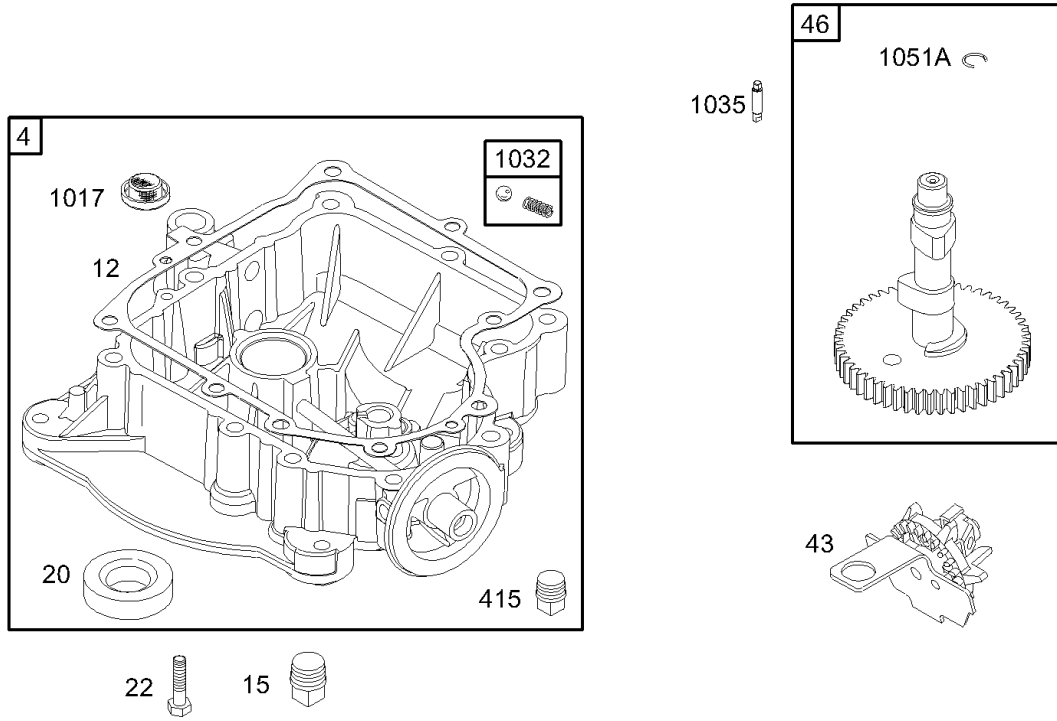
| | | | |
|--|--|--|--|
| | | | |
|--|--|--|--|



Assemblies include all parts shown in frames.

Oil Filter, Tube and Pump Assembly Briggs and Stratton 31G777-0121-E1

| Ref | Part No. | Qty. | Description |
|-------|----------|------|-------------------|
| ⑦187 | 296004 | 1 | Fuel-Hose |
| ⑦187A | 698820 | 1 | Line-Fuel |
| ⑦240 | 298090 | 1 | Filter |
| ⑦523 | 697086 | 1 | Dipstick |
| ③⑦524 | 691032 | 1 | Seal-O Ring |
| ⑦525 | 697085 | 1 | Tube-Dipstick |
| ⑦601 | 691038 | 1 | Clamp-Hose |
| ⑦750 | 691033 | 1 | Screw |
| ③⑦842 | 691031 | 1 | Seal-O Ring |
| ⑦847 | 697087 | 1 | Dipstick/Tube ASM |
| ③⑦943 | 690589 | 1 | Seal-O Ring |
| ⑦965 | 499613 | 1 | Cover-Pump, Oil |
| ⑦1024 | 499054 | 1 | Pump-Oil |
| ⑦1027 | 492932 | 1 | Filter-Oil |

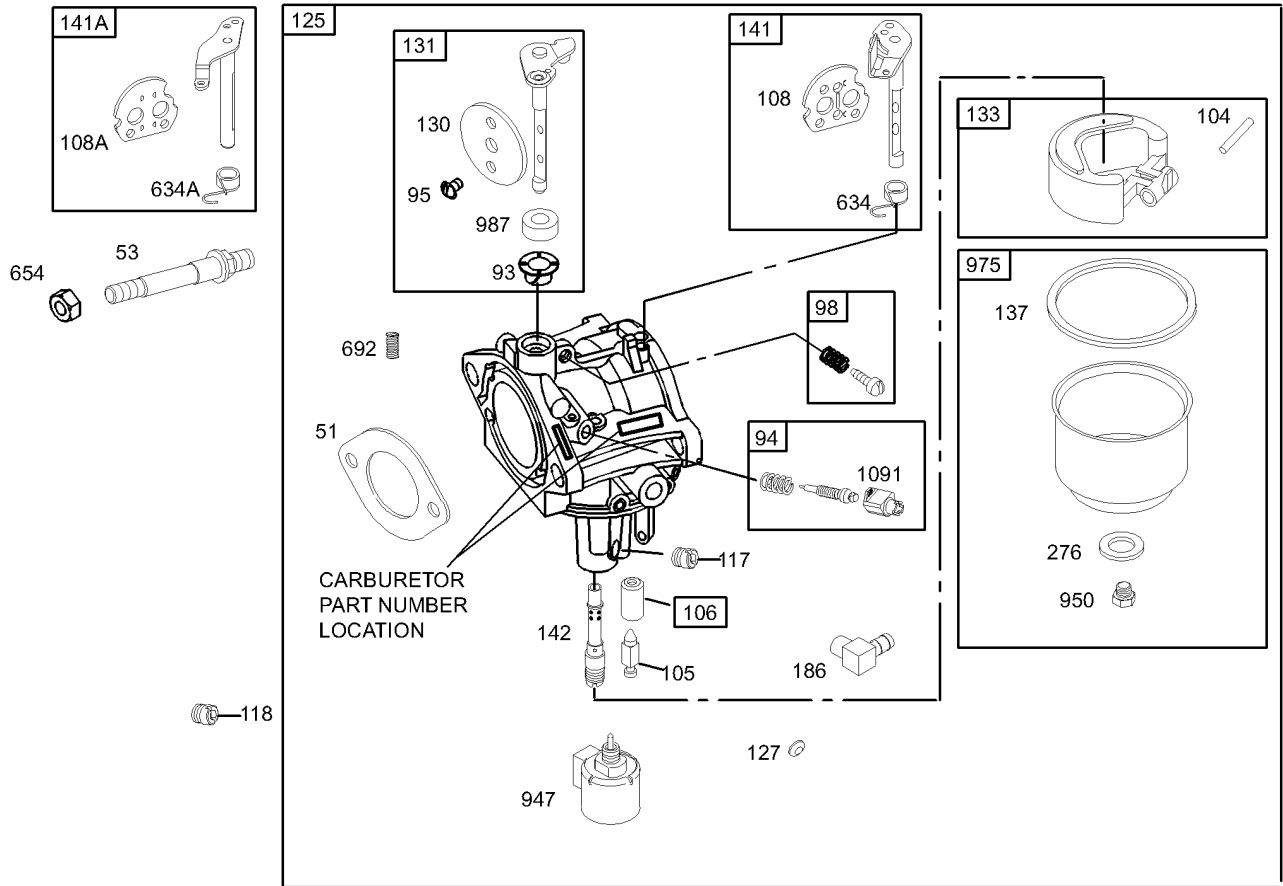


Assemblies include all parts shown in frames.

Crankcase Assembly Briggs and Stratton 31G777-0121-E1

| Ref | Part No. | Qty. | Description |
|--------|----------|------|----------------------|
| ④ | 697188 | 1 | Sump-Engine |
| ③⑦12 | 697110 | 1 | Gasket-Crankcase |
| ⑦15 | 690946 | 1 | Plug-Drain, Oil |
| ③⑦20 | 690947 | 1 | Seal-Oil |
| ⑦22 | 692125 | 1 | Screw |
| ⑦43 | 691968 | 1 | Slinger-Governor,Oil |
| ⑦46 | 698492 | 1 | Camshaft |
| ⑦415 | 690283 | 1 | Plug-Oil |
| ⑦1017 | 690770 | 1 | Screen-Pump, Oil |
| ⑦1032 | 491710 | 1 | Ball-Pump, Oil |
| ⑦1035 | 693784 | 1 | Shaft-Pump, Oil |
| ⑦1051A | 698802 | 1 | Ring-Retaining |

| | | | |
|--|--|--|--|
| | | | |
|--|--|--|--|

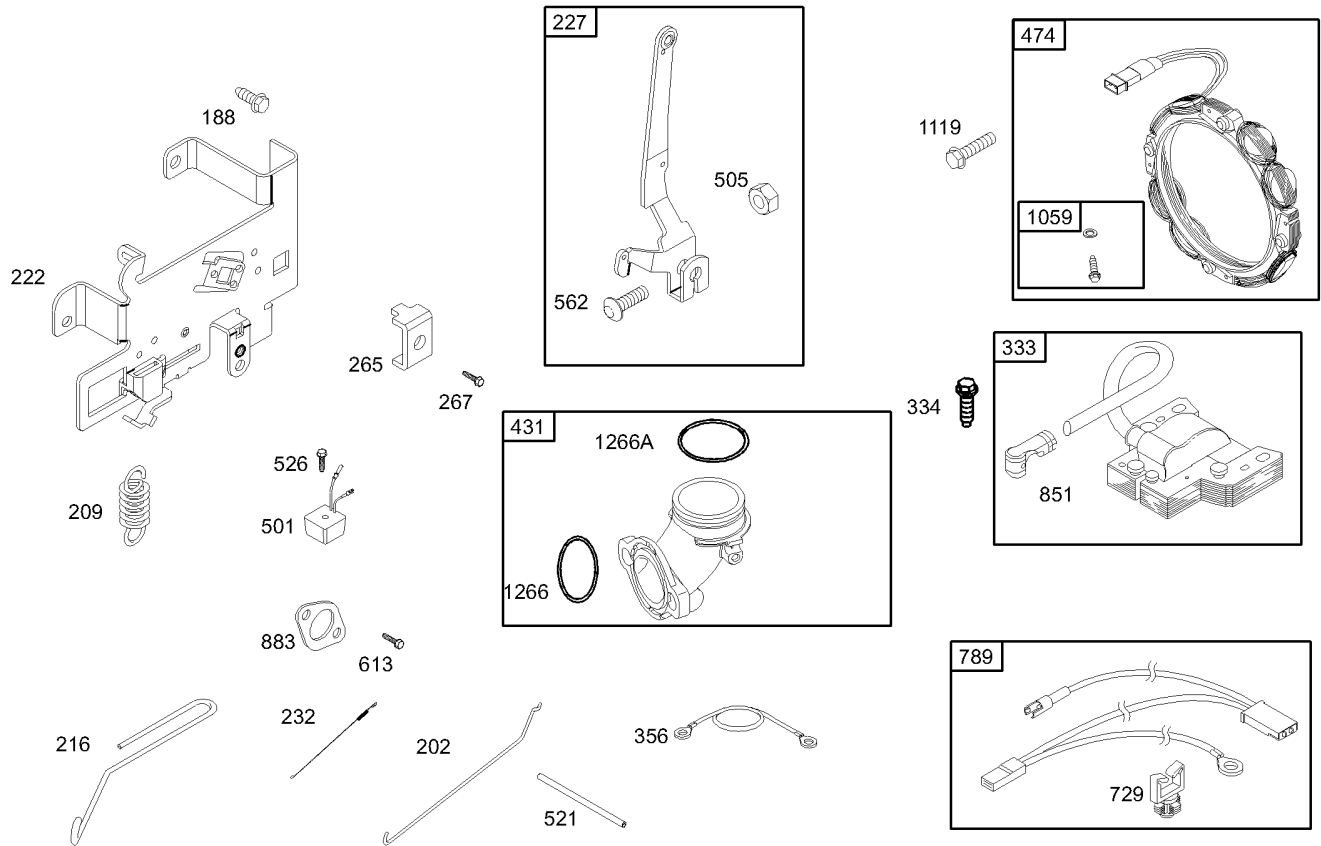


Assemblies include all parts shown in frames.

Carburetor Assembly Briggs and Stratton 31G777-0121-E1

| Ref | Part No. | Qty. | Description |
|---------|----------|------|-----------------------------|
| 5 4 51 | 692137 | 1 | Gasket-Intake |
| 6 7 | | | |
| 7 53 | 690227 | 1 | Stud |
| 5 7 93 | 690602 | 1 | Bushing-Shaft, Throttle |
| 7 94 | 498030 | 1 | Idle Mixture Kit |
| 5 7 95 | 691636 | 1 | Screw |
| 7 98 | 495800 | 1 | Idle Speed Kit |
| 5 7 104 | 690525 | 1 | Pin-Hinge, Carburetor Float |
| 5 7 105 | 231855 | 1 | Valve-Needle, Float |
| 5 7 106 | 690577 | 1 | Seat-Inlet |
| 7 108 | 690464 | 1 | Valve-Choke |
| 7 108A | 692344 | 1 | Valve-Choke |
| 7 117 | 694352 | 1 | Jet-Main (STD) |
| 7 118 | 697228 | 1 | Jet-Main (High Altitude) |
| 7 125 | 697190 | 1 | Carburetor |
| 7 127 | 695005 | 1 | Plug-Welch |
| 7 130 | 691750 | 1 | Valve-Throttle |
| 7 131 | 494379 | 1 | Throttle Shaft Kit |
| 7 133 | 494381 | 1 | Float-Carburetor |
| 5 6 137 | 281165 | 1 | Gasket-Bowl, Float |
| 7 | | | |
| 7 141 | 495097 | 1 | Choke Shaft Kit |
| 7 141A | 495931 | 1 | Choke Shaft Kit |
| 5 7 142 | 697140 | 1 | Nozzle-Carburetor |

| Ref | Part No. | Qty. | Description |
|----------|----------|------|----------------------|
| 7 186 | 698174 | 1 | Connector-Hose |
| 5 6 276 | 692255 | 1 | Washer-Sealing |
| 7 | | | |
| 5 7 634 | 690801 | 1 | Spring / Seal ASM |
| 5 7 634A | 690802 | 1 | Spring And Seal ASM |
| 7 654 | 690958 | 1 | Nut |
| 7 692 | 690572 | 1 | Spring-Detent |
| 7 947 | 694393 | 1 | Solenoid-Fuel |
| 7 950 | 691657 | 1 | Screw |
| 7 958 | 494768 | 1 | Valve-Fuel Shut Off |
| 7 975 | 495933 | 1 | Bowl-Float |
| 5 7 987 | 691326 | 1 | Seal-Shaft, Throttle |
| 7 1091 | 691333 | 1 | Cap-Limiter |

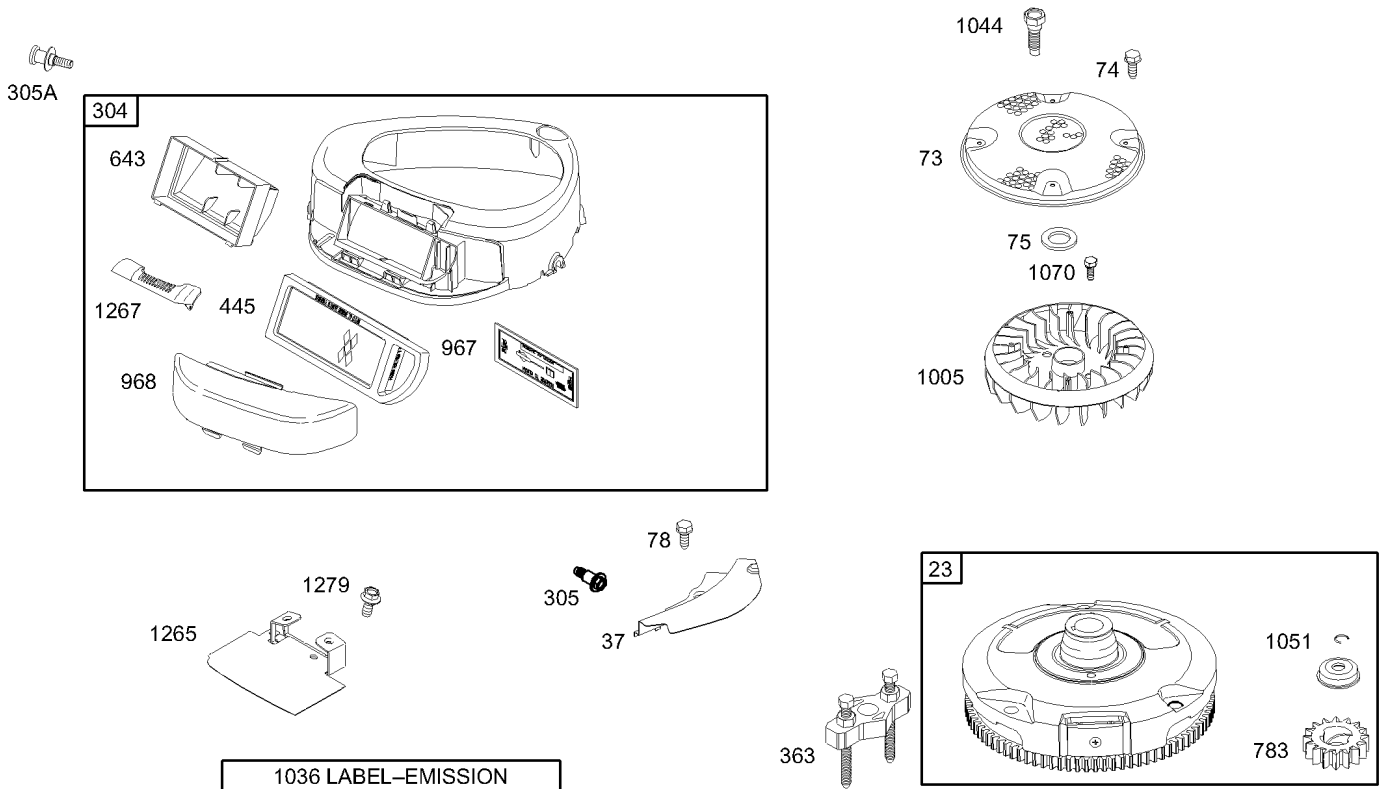


Assemblies include all parts shown in frames.

Governor Assembly Briggs and Stratton 31G777-0121-E1

| Ref | Part No. | Qty. | Description |
|-----|----------|------|---------------------------|
| 188 | 691693 | 1 | Screw |
| 202 | 691841 | 1 | Link-Governor, Mechanical |
| 209 | 691795 | 1 | Spring-Governor |
| 216 | 691840 | 1 | Link-Choke |
| 222 | 694042 | 1 | Bracket-Control |
| 227 | 691374 | 1 | Lever-Control, Governor |
| 232 | 691842 | 1 | Spring-Link, Governor |
| 265 | 691024 | 1 | Clamp-Casing |
| 267 | 690804 | 1 | Screw |
| 333 | 492341 | 1 | Armature-Magneto |
| 334 | 691061 | 1 | Screw |
| 356 | 697089 | 1 | Stop-Wire |
| 431 | 697122 | 1 | Elbow-Intake |
| 474 | 696457 | 1 | Alternator |
| 501 | 691188 | 1 | Regulator |
| 505 | 691251 | 1 | Nut |
| 521 | 690581 | 1 | Shield-Cable |
| 526 | 697088 | 1 | Screw |
| 562 | 691119 | 1 | Screw |
| 613 | 698941 | 1 | Screw |
| 729 | 691335 | 1 | Clip-Wire |
| 789 | 692037 | 1 | Wiring-Harness |
| 851 | 692424 | 1 | Terminal-Spark Plug |
| 883 | 692236 | 1 | Gasket-Exhaust |

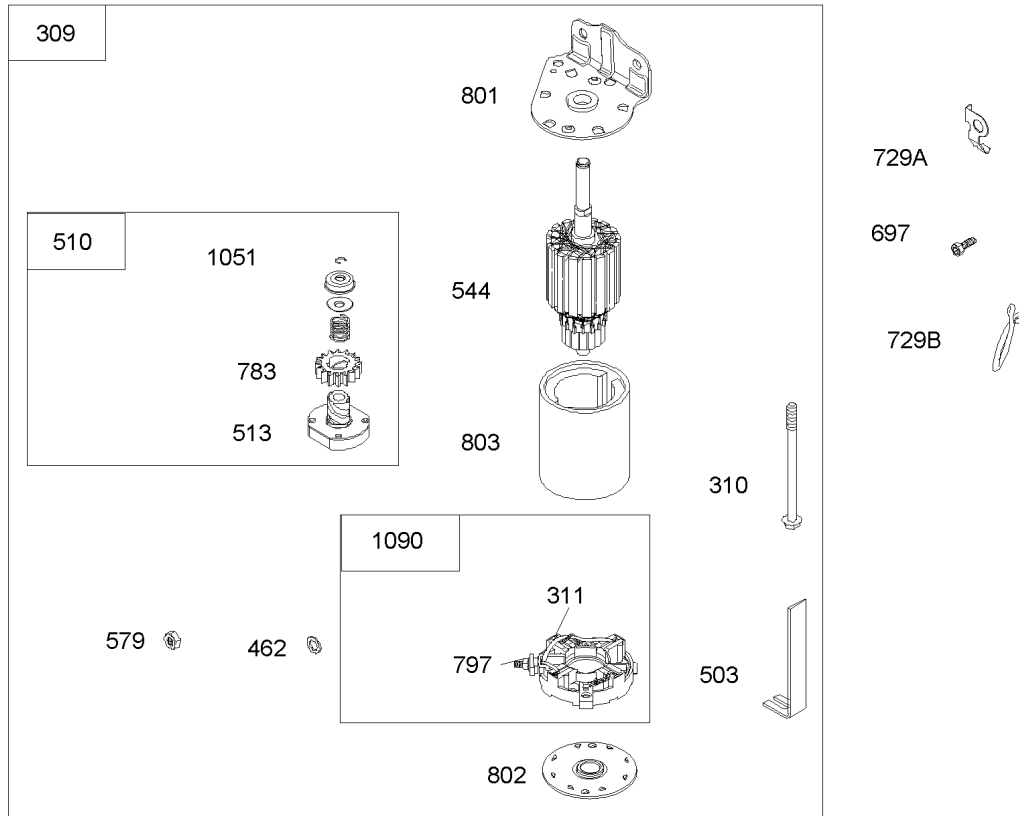
| Ref | Part No. | Qty. | Description |
|-------|----------|------|----------------------|
| 1059 | 698516 | 1 | Screw And Washer Kit |
| 1119 | 691183 | 1 | Screw |
| 1266 | 691917 | 1 | Seal-O Ring |
| 1266A | 697123 | 1 | Seal-O Ring |



Assemblies include all parts shown in frames.

Blower Housing Assembly Briggs and Stratton 31G777-0121-E1

| Ref | Part No. | Qty. | Description |
|------|----------|------|-------------------------------|
| 23 | 693556 | 1 | Flywheel |
| 37 | 697108 | 1 | Guard-Flywheel |
| 73 | 697133 | 1 | Screen-Rotating |
| 74 | 697897 | 1 | Screw |
| 75 | 690582 | 1 | Washer-Flywheel |
| 78 | 691003 | 1 | Screw |
| 304 | 698804 | 1 | Housing-Blower |
| 305 | 697102 | 1 | Screw |
| 305A | 697103 | 1 | Screw |
| 363 | 19203 | 1 | Puller-Flywheel |
| 445 | 698083 | 1 | Filter-Cartridge, Air Cleaner |
| 643 | 698401 | 1 | Retainer-Filter, Air |
| 783 | 693713 | 1 | Gear-Pinion |
| 967 | 697015 | 1 | Filter-Cleaner, Pre |
| 968 | 697084 | 1 | Cover-Cleaner, Air |
| 1005 | 697111 | 1 | Fan-Flywheel |
| 1036 | 695700 | 1 | Label-Emission |
| 1044 | 691658 | 1 | Screw-Crankshaft Extension |
| 1051 | 691265 | 1 | Ring-Retaining |
| 1070 | 690372 | 1 | Screw |
| 1265 | 697125 | 1 | Support-Housing, Blower |
| 1267 | 697135 | 1 | Latch-Blower Housing |
| 1279 | 690960 | 1 | Screw |

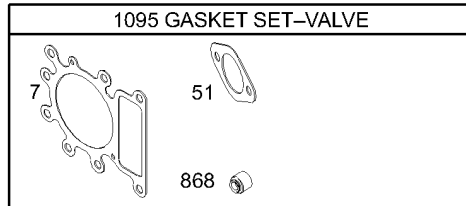
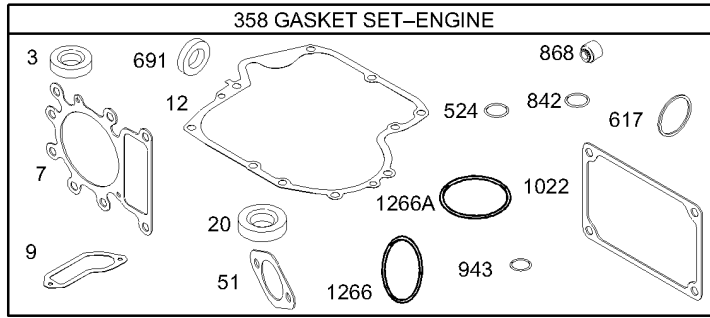


Assemblies include all parts shown in frames.

Starter Assembly Briggs and Stratton Model 31G777-0121-E1

| Ref | Part No. | Qty. | Description |
|------|----------|------|------------------|
| 309 | 693551 | 1 | Motor-Starter |
| 310 | 690323 | 1 | Bolt |
| 311 | 497608 | 1 | Brush Set |
| 462 | 691261 | 1 | Washer |
| 503 | 691532 | 1 | Strap-Starter |
| 510 | 693699 | 1 | Drive-Starter |
| 513 | 692024 | 1 | Clutch-Drive |
| 544 | 692034 | 1 | Armature-Starter |
| 579 | 691029 | 1 | Nut |
| 697 | 690372 | 1 | Screw |
| 729A | 691224 | 1 | Clip-Wire |
| 729B | 694123 | 1 | Clip-Wire |
| 783 | 693713 | 1 | Gear-Pinion |
| 797 | 693167 | 1 | Nut |
| 801 | 691283 | 1 | Cap-Drive |
| 802 | 691286 | 1 | Cap-End |
| 803 | 693757 | 1 | Housing-Starter |
| 1051 | 691265 | 1 | Ring-Retaining |
| 1090 | 691293 | 1 | Retainer-Brush |

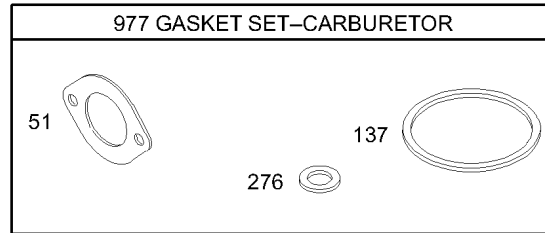
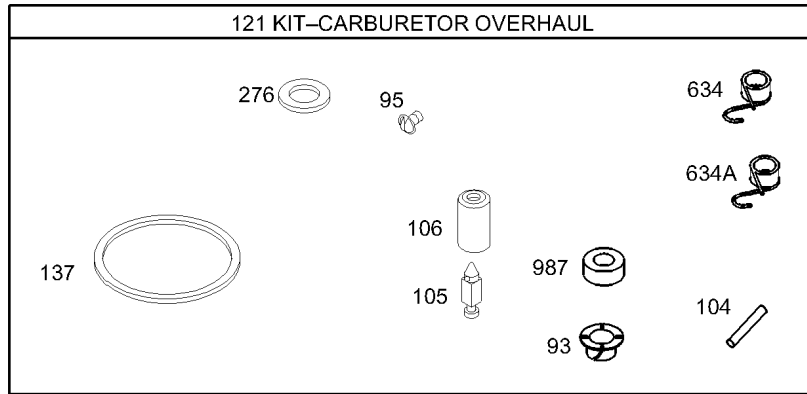
| | | | |
|--|--|--|--|
| | | | |
|--|--|--|--|



Assemblies include all parts shown in frames.

Gasket Assembly Briggs and Stratton 31G777-0121-E1

| Ref | Part No. | Qty. | Description |
|---------|----------|------|----------------------|
| 373 | 391086 | 1 | Seal-Oil |
| 347 | 692410 | 1 | Gasket-Cylinder Head |
| 7 | | | |
| 379 | 697109 | 1 | Gasket-Breather |
| 3712 | 697110 | 0 | Gasket-Crankcase |
| 3720 | 690947 | 1 | Seal-Oil |
| 3451 | 692137 | 1 | Gasket-Intake |
| 56 | | | |
| 7358 | 697191 | 1 | Gasket Set-Engine |
| 35617 | 692138 | 1 | Seal-O Ring |
| 7 | | | |
| 37524 | 691032 | 1 | Seal-O Ring |
| 37691 | 692407 | 1 | Seal-Shaft, Governor |
| 37842 | 691031 | 1 | Seal-O Ring |
| 34868 | 690968 | 1 | Seal-Valve |
| 7 | | | |
| 37943 | 690589 | 1 | Seal-O Ring |
| 371022 | 272475 | 1 | Gasket-Cover, Rocker |
| 71095 | 691581 | 1 | Valve Gasket Set |
| 351266 | 691917 | 1 | Seal-O Ring |
| 7 | | | |
| 351266A | 697123 | 1 | Seal-O Ring |
| 7 | | | |



Assemblies include all parts shown in frames.

Carburetor Overhaul Kit Assembly Briggs and Stratton 31G777-0121-E1

| Ref | Part No. | Qty. | Description |
|------------|----------|------|-----------------------------|
| ③④51 ⑥⑦ | 692137 | 1 | Gasket-Intake |
| ⑤⑦93 | 690602 | 1 | Bushing-Shaft, Throttle |
| ⑤⑦95 | 691636 | 1 | Screw |
| ⑤⑦104 | 690525 | 1 | Pin-Hinge, Carburetor Float |
| ⑤⑦105 | 231855 | 1 | Valve-Needle, Float |
| ⑤⑦106 | 691780 | 1 | Seat-Inlet |
| ⑦121 | 697884 | 1 | Kit-Carburetor Overhaul |
| ⑤⑥137 ⑦ | 281165 | 1 | Gasket-Bowl, Float |
| ⑤⑥276 ⑦ | 692255 | 1 | Washer-Sealing |
| ⑤⑦634 | 690801 | 1 | Spring / Seal ASM |
| ⑤⑦634A | 690802 | 1 | Spring And Seal ASM |
| ⑦977 | 690192 | 1 | Carburetor Gasket Set |
| ⑤⑦987 | 691326 | 1 | Seal-Shaft, Throttle |

NOTES

