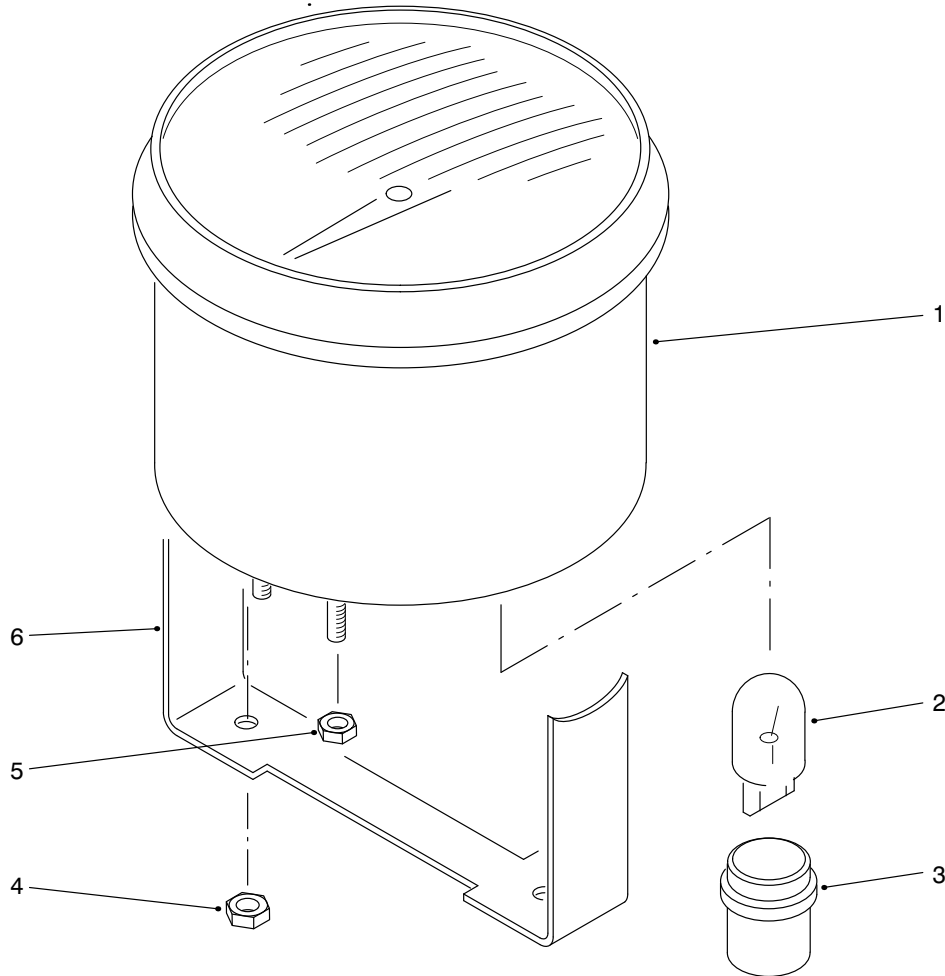




PART NO. 87-5400 PART NO. 87-8320	PARTS CATALOG
TACHOMETER KIT For Workman 3200	



T-1677

TACHOMETER SERVICE ASSEMBLY

Ref. No.	Part No.	Description	No. Used
1	87-5400	Tachometer Assembly (MPH) (Incl. Ref. #1-6)	1
*	87-8320	Tachometer Assembly (KPH) (Incl. Ref. #1-6)	1
2	219-17	Bulb	1

Ref. No.	Part No.	Description	No. Used
3	87-6270	Socket & Bulb Assembly (Incl. Ref. #2)	1
4	3217-25	Nut - Hex.	2
5	3217-29	Nut - Hex.	4
6		Clamp - Tachometer	1

*Not Illustrated