



Power Max 1028LXE Snowthrower

Model No. 38640 - 260000001 and up.

Parts Catalog

Ordering Replacement Parts

To order replacement parts, please supply the part number, the quantity, and the description of each part desired.

Understanding Reference Numbers

Each identified part in an illustration has a reference number. The reference number for a part also appears in the parts list, along with other information about the part.

This catalog uses two special reference number formats, one to indicate parts in a service assembly and another to indicate the quantity of a given part in an illustration.

Service Assembly Reference Numbers

Parts in service assemblies have reference numbers in the form a:b. The a represents the reference number of the entire service assembly and the b represents a sequential number unique to each part within the service assembly.

For example, a wheel assembly might be identified by reference number 6, the tire by 6:1, the valve by 6:2, and the wheel by 6:3. When you order the assembly identified by reference number 6, you receive all parts identified by reference numbers 6:1, 6:2, and 6:3. However, you may also order any part individually. Reference numbers of this type appear in illustrations and in part lists.

Reference Numbers Indicating Quantity

In an illustration, if a reference number indicates more than one part, the reference number has the form nX y. The n represents the quantity of the part, the X is the multiplication symbol, and the y represents the reference number.

For example, in an illustration, the reference number 2X 37 means that two of the parts identified by reference number 37 are indicated.

Contents

| Description | Page | Description | Page |
|--|----------|--|----------|
| Auger and Housing Assembly | 3 | Engine Assembly Tecumseh LH358SA-159625A | 14 |
| 28 Inch Auger Gearcase Assembly No. 108-7329 | 4 | Engine Assembly (continued) Tecumseh LH358SA-159625A | 16 |
| Chute Assembly | 5 | Carburetor Assembly Tecumseh LH358SA-159625A | 18 |
| Frame Assembly | 6 | Electric Starter Assembly No. 33329D Tecumseh LH358SA-159625A | 19 |
| Control Panel Assembly | 8 | Recoil Starter Assembly No. 590749 Tecumseh LH358SA-159625A | 20 |
| Handle and Control Assembly | 9 | Recoil Starter Assembly No. 590733 (Optional) Tecumseh LH358SA-159625A | 21 |
| Lever Chute Control Assembly | 10 | Attachments and Accessories List | 22 |
| Engine Assembly | 11 | | |
| Wheel Clutch Assembly | 12 | | |
| Wheel Clutch Sprocket Assembly | 13 | | |

Part Description Abbreviations

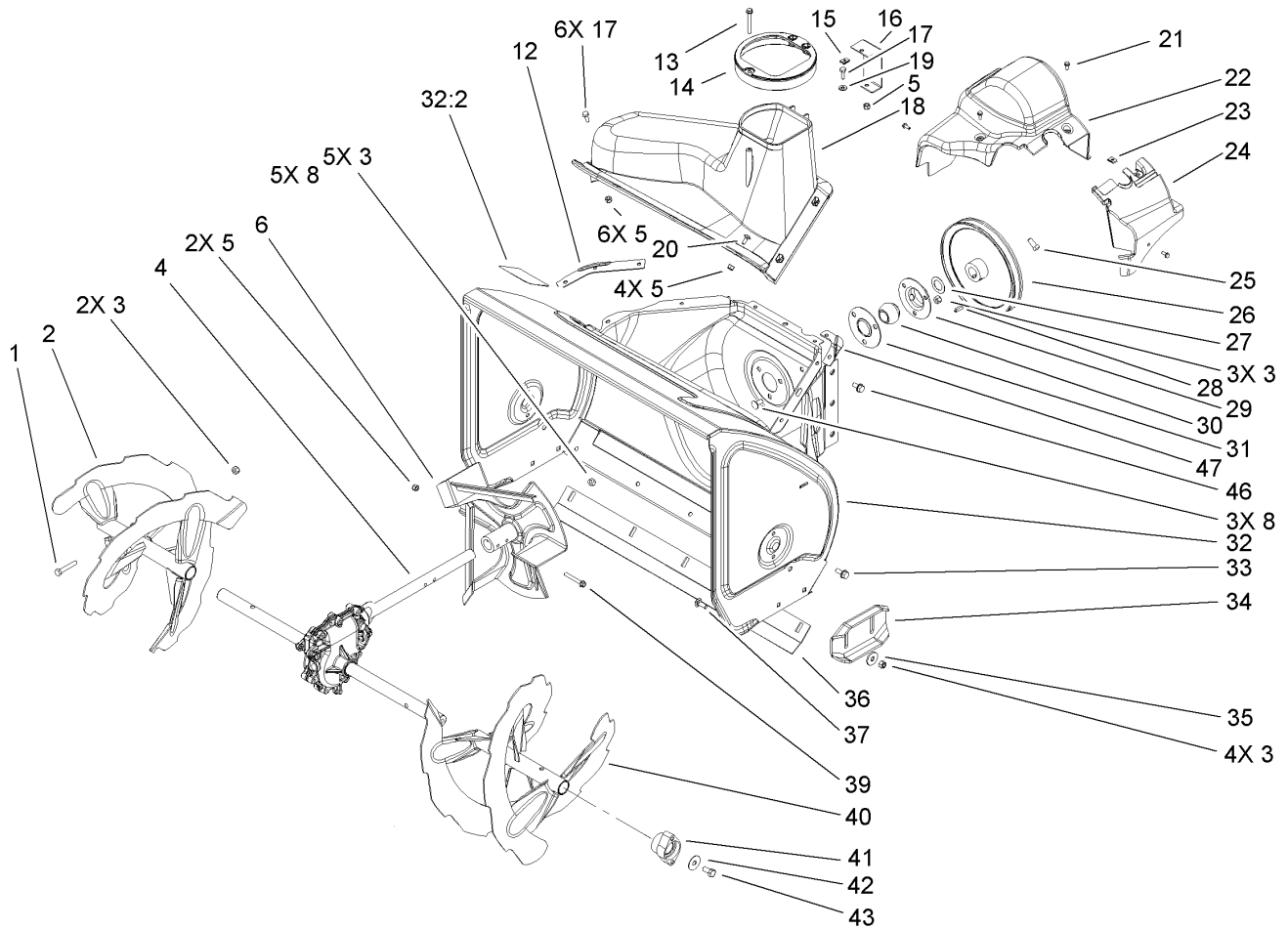
Part descriptions in this catalog may include the following abbreviations.

| | |
|--|--|
| AR. as required | HYD. hydraulic |
| ASM. assembly | LH. left hand |
| BBC. blade brake clutch | NI. nylon insert |
| CARR. carriage | NPTF. national pipe thread fine |
| DEG. degrees | PFH. phillips flat head |
| EXT. external | PPH. phillips pan head |
| FH. flat head | PPHTF. phillips pan head thread forming |
| GA. gauge | PRH. phillips round head |
| HD. heavy-duty | PTH. phillips truss head |
| HF. hex flange | PTO. power-take-off |
| HH. hex head | RH. right hand |
| HHF. hex head flange | ROPS. roll-over protection system |
| HHFTF. hex head flange thread forming | SFH. slotted fillister head |
| HJ. hex jam | SHH. slotted hex head |
| HLH. hex lag head | SHWH. slotted hex washer head |
| HOC. height-of-cut | SPH. slotted pan head |
| HSBH. hex socket button head | SQH. square head |
| HSFH. hex socket flat head | SRH. slotted round head |
| HSH. hex socket head | STD. standard |
| HWH. hex washer head | TAP. self tapping |
| HWHTF. hex washer head thread forming | TTH. torx truss head |

Footnotes

❶ Not serviced separately

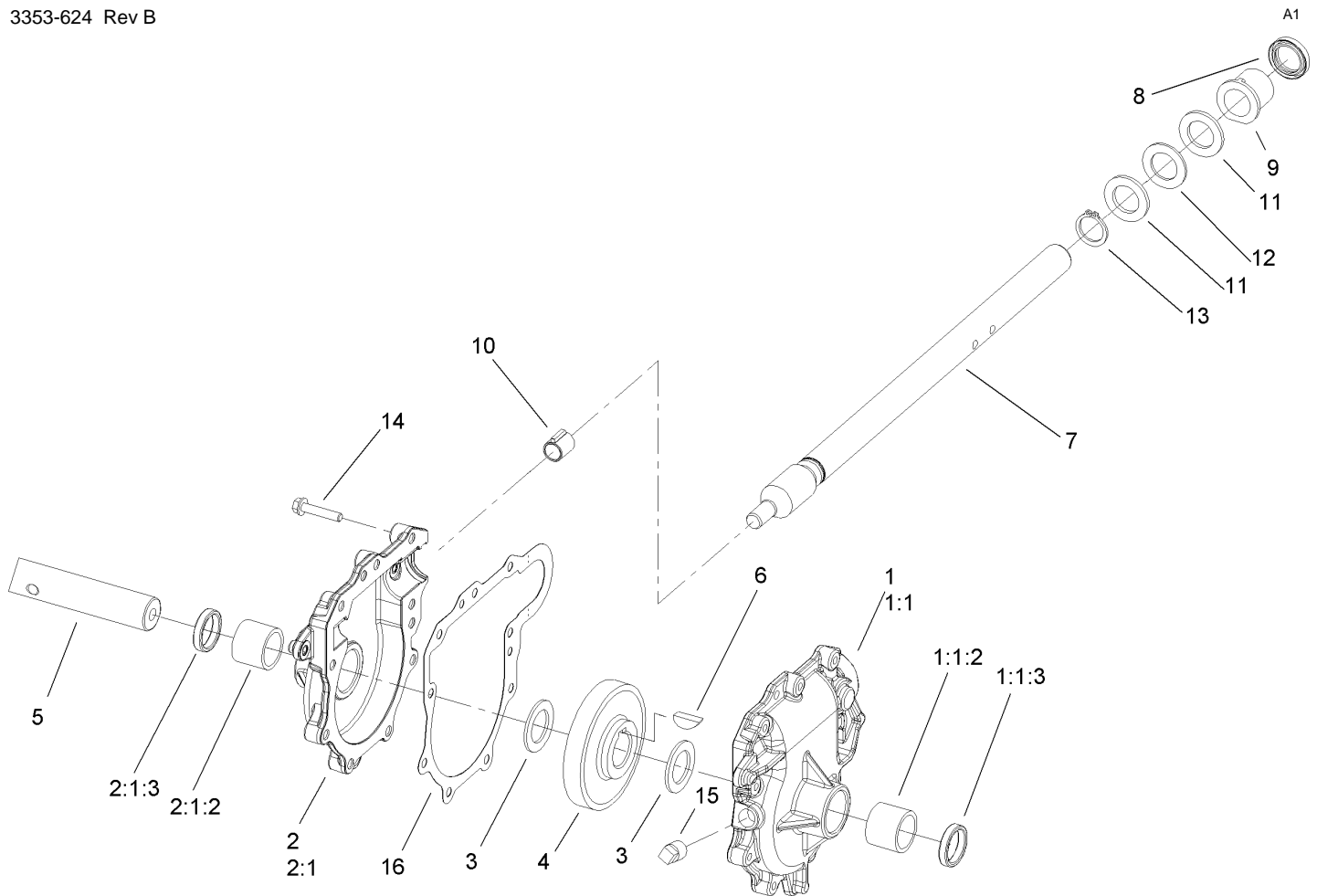
❷ Obtain from your local Tecumseh dealer



Auger and Housing Assembly

| Ref | Part No. | Qty. | Description |
|-----|-------------|------|----------------------------|
| 1 | 322-21 | 2 | Screw-HH |
| 2 | 106-7291-03 | 1 | Auger-RH |
| 3 | 3296-29 | 14 | Nut-Lock, NI |
| 4 | 108-7329 | 1 | 28 Inch Auger Gearcase ASM |
| 5 | 3296-42 | 13 | Nut-Lock, NI |
| 6 | 106-4576-03 | 1 | Impeller ASM |
| 8 | 3230-23 | 8 | Screw-CARR |
| 12 | 107-1017-03 | 1 | Seal-Flange, Cover |
| 13 | 107-3003 | 1 | Screw-Plastite |
| 14 | 107-3006 | 1 | Guide-Chute |
| 15 | 107-1013 | 1 | Nut-Speed, U-Type |
| 16 | 107-1014-03 | 1 | Bracket-Cover, Clip Nut |
| 17 | 321-4 | 7 | Screw-HH |
| 18 | 108-0017 | 1 | Cover |
| 19 | 3256-22 | 1 | Washer-Flat |
| 20 | 3229-1 | 4 | Screw-CARR |
| 21 | 32144-112 | 4 | Screw-HWH |
| 22 | 107-1001 | 1 | Cover-Belt |
| 23 | 701493 | 1 | Nut-Speed |
| 24 | 107-1016 | 1 | Cover-Extension, Belt |
| 25 | 3242-4 | 2 | Screw-Set, SQH |
| 26 | 62-1300 | 1 | Pulley-Impeller |
| 27 | 252-80 | 1 | Washer-Thrust |
| 28 | 3257-23 | 1 | Key-Woodruff |

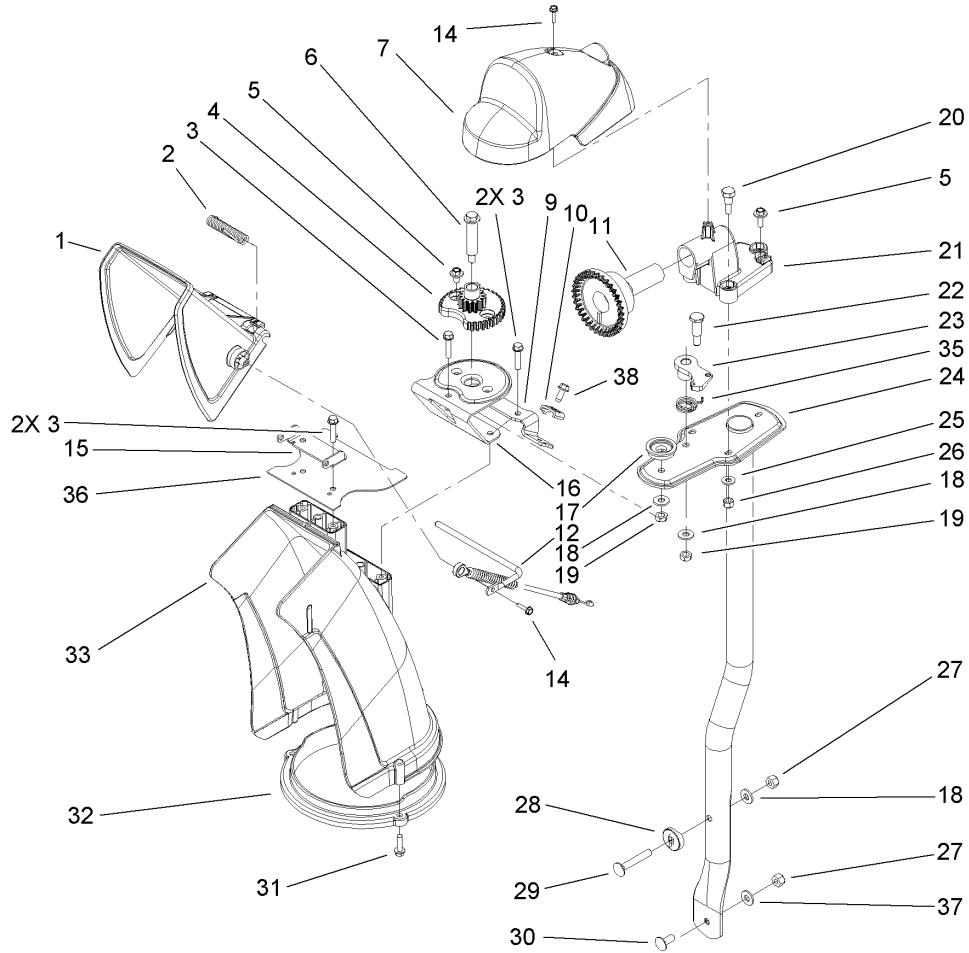
| Ref | Part No. | Qty. | Description |
|------|-------------|------|------------------------|
| 29 | 26-6110 | 1 | Flange-Cup, Bearing |
| 30 | 63-3450 | 1 | Bearing-Ball |
| 31 | 26-6120 | 1 | Flange-Cup, Bearing |
| 32 | 107-3823 | 1 | Housing-Auger, 28 Inch |
| 32:2 | 53-7670 | 1 | Decal-Warning, Auger |
| 33 | 32144-70 | 4 | Screw-HWHTF |
| 34 | 106-4588-01 | 2 | Skid |
| 35 | 52-2861 | 4 | Washer |
| 36 | 106-4573-01 | 1 | Scraper-Fixed |
| 37 | 3230-16 | 4 | Screw-CARR |
| 39 | 321-44 | 2 | Screw-HHF |
| 40 | 106-7301-03 | 1 | LH Auger ASM |
| 41 | 106-4570 | 2 | Auger-Bearing |
| 42 | 3-0750 | 2 | Washer |
| 43 | 323-4 | 2 | Screw-HH |
| 46 | 32144-14 | 6 | Screw-HWHTF |
| 47 | 108-0039-03 | 1 | Seal |



28 Inch Auger Gearcase Assembly No. 108-7329

| Ref | Part No. | Qty. | Description |
|-------|----------|------|------------------------|
| 1 | 108-7325 | 1 | LH Auger Gearcase ASM |
| 1:1:1 | | 1 | Gearcase-Auger, LH |
| 1:1:2 | 256-237 | 1 | Bushing |
| 1:1:3 | 7-0045 | 1 | Seal-Oil |
| 2 | 108-7327 | 1 | RH Auger Gearcase ASM |
| 2:1 | | 1 | Gearcase-Auger, RH |
| 2:1:2 | 256-237 | 1 | Bushing |
| 2:1:3 | 7-0045 | 1 | Seal-Oil |
| 3 | 252-71 | 2 | Washer-Thrust |
| 4 | 62-0120 | 1 | Gear-Helical |
| 5 | 106-4421 | 1 | Shaft-Auger |
| 6 | 3257-10 | 1 | Key-Woodruff |
| 7 | 66-7811 | 1 | Shaft-Impeller |
| 8 | 253-149 | 1 | Seal-Oil |
| 9 | 37-6560 | 1 | Bushing-Input |
| 10 | 62-1150 | 1 | Bushing-Worm |
| 11 | 252-78 | 2 | Bearing-Thrust |
| 12 | 252-76 | 1 | Bearing-Thrust |
| 13 | 32151-33 | 1 | Ring-Retaining, EXT |
| 14 | 108-4862 | 9 | Screw-HWHTF |
| 15 | 281-1 | 1 | Plug-Pipe, SQH |
| 16 | 108-7330 | 1 | Gasket-Gearcase, Auger |

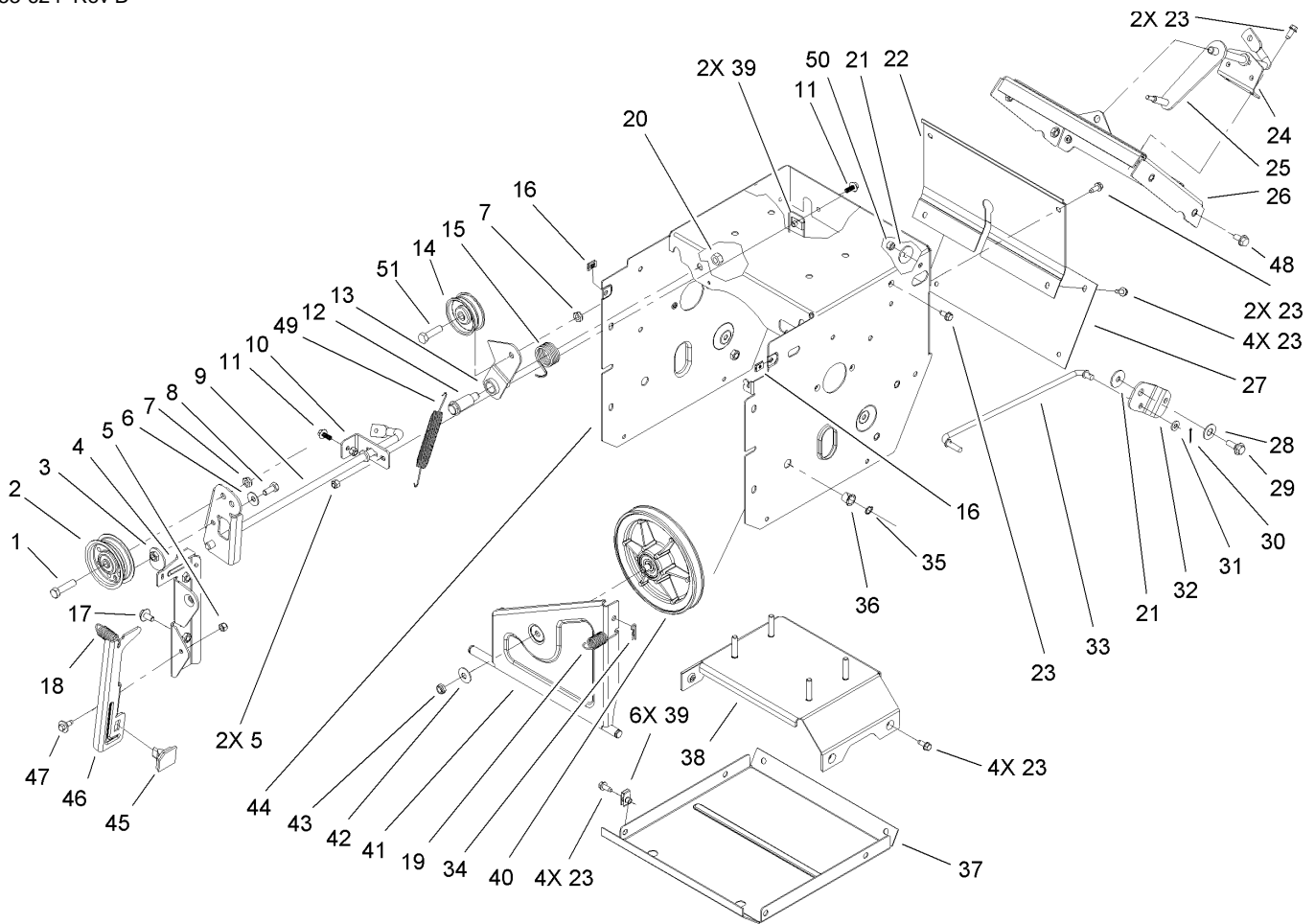
| | | | |
|--|--|--|--|
| | | | |
| | | | |
| | | | |
| | | | |



Chute Assembly

| Ref | Part No. | Qty. | Description |
|-----|-------------|------|------------------------|
| 1 | 106-4587 | 1 | Deflector-Chute |
| 2 | 106-4594 | 1 | Spring-Torsion |
| 3 | 46-8092 | 5 | Screw-Plastite |
| 4 | 106-4472 | 1 | Gear-Chute |
| 5 | 46-6810 | 3 | Screw And Washer ASM |
| 6 | 100-9880 | 1 | Bolt-Shoulder |
| 7 | 106-4585 | 1 | Cover-Gear, Chute |
| 9 | 106-7296 | 1 | Bracket-Cable, Clamp |
| 10 | 106-7297 | 1 | Clamp-Cable |
| 11 | 106-4471 | 1 | Gear-Face |
| 12 | 107-1021 | 1 | Rod-Deflector |
| 14 | 98-1375 | 2 | Screw-HWH |
| 15 | 106-7266 | 1 | Bracket-Deflector |
| 16 | 106-4582-03 | 1 | Bracket-Support, Chute |
| 17 | 106-4422 | 1 | Spacer-Chute |
| 18 | 3256-2 | 3 | Washer-Flat |
| 19 | 3296-47 | 2 | Nut-Lock, NI |
| 20 | 106-7276 | 3 | Screw-Shoulder |
| 21 | 106-7257 | 1 | Mount-Gear, Face |
| 22 | 63-2650 | 1 | Screw-Shoulder |
| 23 | 106-4476 | 1 | Latch-Chute |
| 24 | 106-7253-03 | 1 | Tube-Support |
| 25 | 3256-22 | 3 | Washer-Flat |
| 26 | 3296-42 | 3 | Nut-Lock, NI |

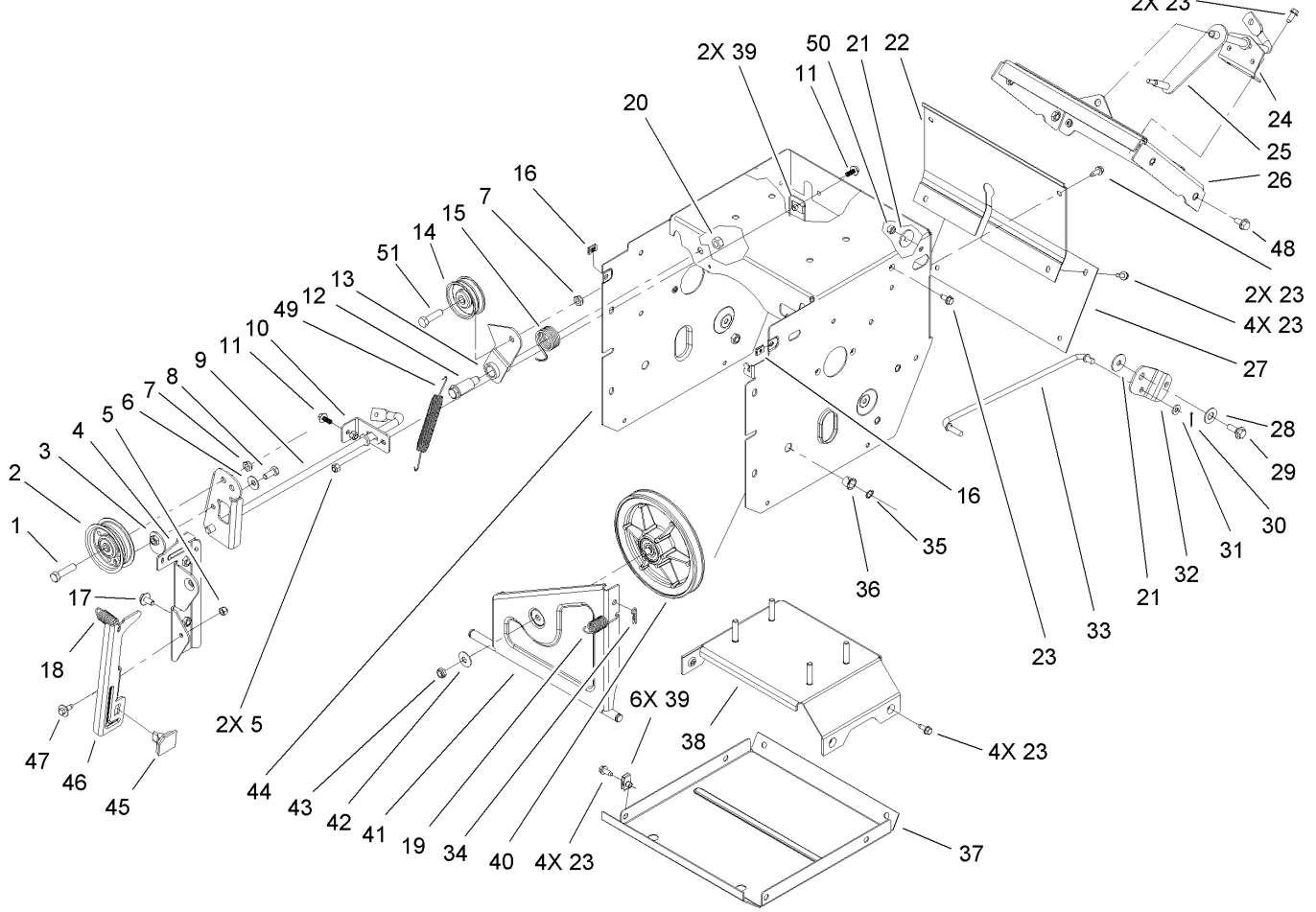
| Ref | Part No. | Qty. | Description |
|-----|----------|------|-------------------|
| 27 | 3296-29 | 2 | Nut-Lock, NI |
| 28 | 106-7260 | 1 | Washer-Curved |
| 29 | 3230-5 | 1 | Screw-CARR |
| 30 | 3230-23 | 1 | Screw-CARR |
| 31 | 46-8091 | 3 | Screw-HWH |
| 32 | 105-9991 | 1 | Ring-Chute |
| 33 | 106-4440 | 1 | Chute-Discharge |
| 35 | 108-7315 | 1 | Spring-Torsion |
| 36 | 108-5052 | 1 | Seal-Chute |
| 37 | 3290-456 | 1 | Washer-Belleville |
| 38 | 32144-10 | 1 | Screw-HWH |



Frame Assembly

| Ref | Part No. | Qty. | Description |
|-----|-------------|------|-------------------------|
| 1 | 323-8 | 1 | Screw-HH |
| 2 | 92-7104 | 1 | Pulley-Idler |
| 3 | 107-1047 | 1 | Nut |
| 4 | 107-1039 | 1 | Bracket-Idler, Impeller |
| 5 | 3296-42 | 3 | Nut-Lock, NI |
| 6 | 3290-456 | 1 | Washer-Belleville |
| 7 | 3296-59 | 2 | Nut-Lock, NI |
| 8 | 322-3 | 1 | Screw-HH |
| 9 | 107-3838-03 | 1 | Impeller Clutch ASM |
| 10 | 106-7341 | 1 | Bracket-Rear, Clutch |
| 11 | 99-6810 | 2 | Screw-HH |
| 12 | 108-5056 | 1 | Bolt-Shoulder |
| 13 | 108-5058 | 1 | Arm-Idler, Traction |
| 14 | 3-4244 | 1 | Pulley-Idler |
| 15 | 108-7332 | 1 | Spring-Torsion |
| 16 | 107-1013 | 2 | Nut-Speed, U-Type |
| 17 | 3234-7 | 2 | Screw-HHF |
| 18 | 107-1045 | 1 | Spring-Extension |
| 19 | 107-1003 | 1 | Spring-Extension |
| 20 | 3296-76 | 1 | Nut-Lock, NI |
| 21 | 5-4460 | 2 | Washer-Pivot |
| 22 | 108-0022-01 | 1 | Cover-Upper |
| 23 | 32144-10 | 17 | Screw-HWH |
| 24 | 108-0036 | 1 | Bracket-Rod, Shift |

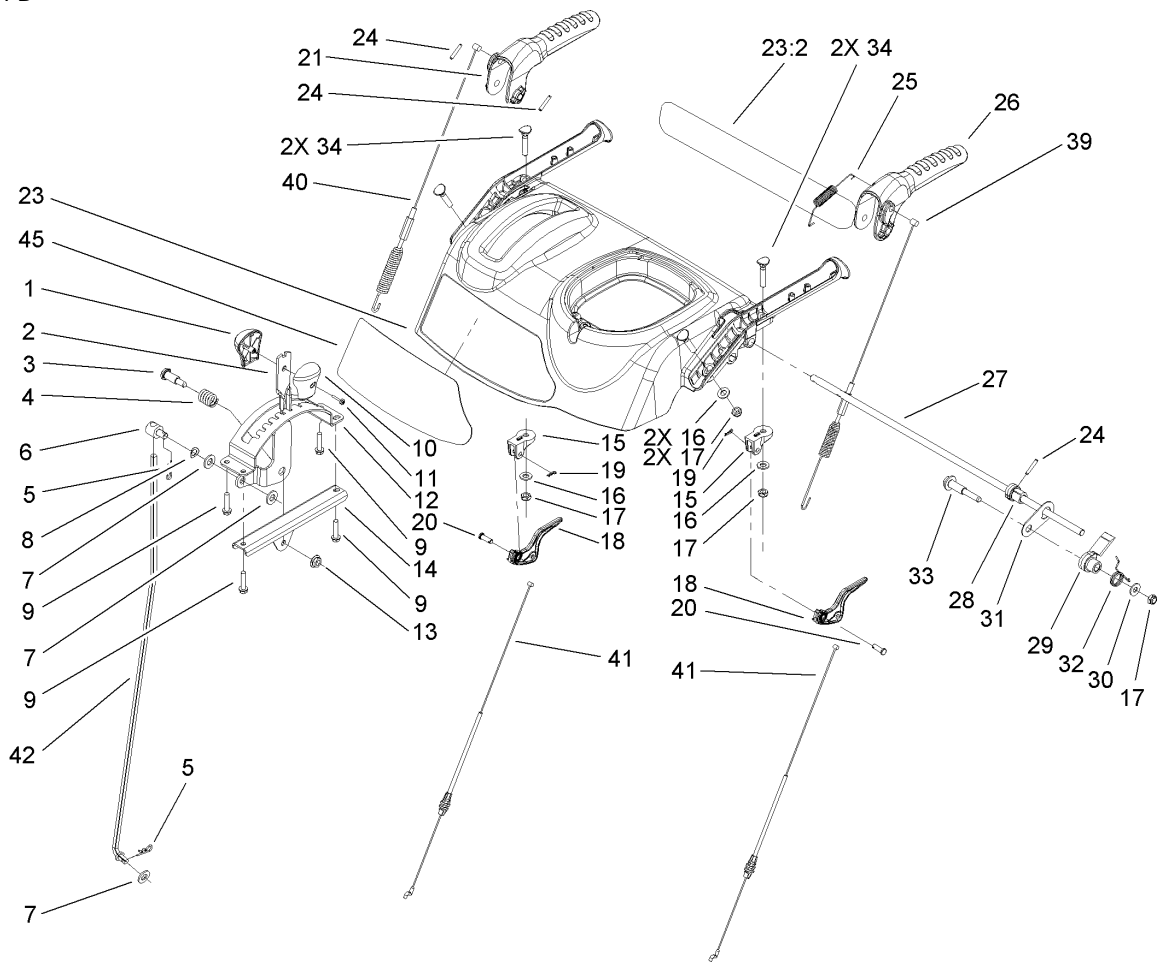
| Ref | Part No. | Qty. | Description |
|-----|-------------|------|----------------------------|
| 25 | 106-7268 | 1 | Lever-Control, Traction |
| 26 | 108-0026-01 | 1 | Shift Plate ASM |
| 27 | 106-7345-01 | 1 | Cover-Lower |
| 28 | 25-5640 | 1 | Washer |
| 29 | 27-0410 | 1 | Screw-Shoulder |
| 30 | 3272-4 | 1 | Pin-Cotter |
| 31 | 3256-23 | 1 | Washer-Flat |
| 32 | 107-1011 | 1 | Bellcrank-Drive |
| 33 | 106-4467 | 1 | Link-Control, Speed |
| 34 | 3290-307 | 1 | Pin-Hair |
| 35 | 32151-61 | 2 | Ring-Retaining |
| 36 | 256-257 | 2 | Bushing-Nyliner |
| 37 | 106-7330-01 | 1 | Pan-Bottom |
| 38 | 106-7315 | 1 | Brace Frame ASM |
| 39 | 107069 | 8 | Clip |
| 40 | 108-0031 | 1 | Traction Pulley ASM |
| 41 | 108-7307 | 1 | Friction Wheel Bracket ASM |
| 42 | 3290-340 | 1 | Washer-Belleville |
| 43 | 3296-5 | 1 | Nut-Lock |
| 44 | 108-0019-01 | 1 | Traction Frame ASM |
| 45 | 66-8060 | 1 | Pad-Brake |
| 46 | 107-1000 | 1 | Arm-Brake |
| 47 | 92-9698 | 1 | Screw-Shoulder |
| 48 | 32144-14 | 4 | Screw-HWHTF |



Frame Assembly (continued)

| Ref | Part No. | Qty. | Description |
|-----|----------|------|------------------|
| 49 | 108-2976 | 1 | Spring-Extension |
| 50 | 3296-29 | 1 | Nut-Lock, NI |
| 51 | 323-29 | 1 | Screw-HH |

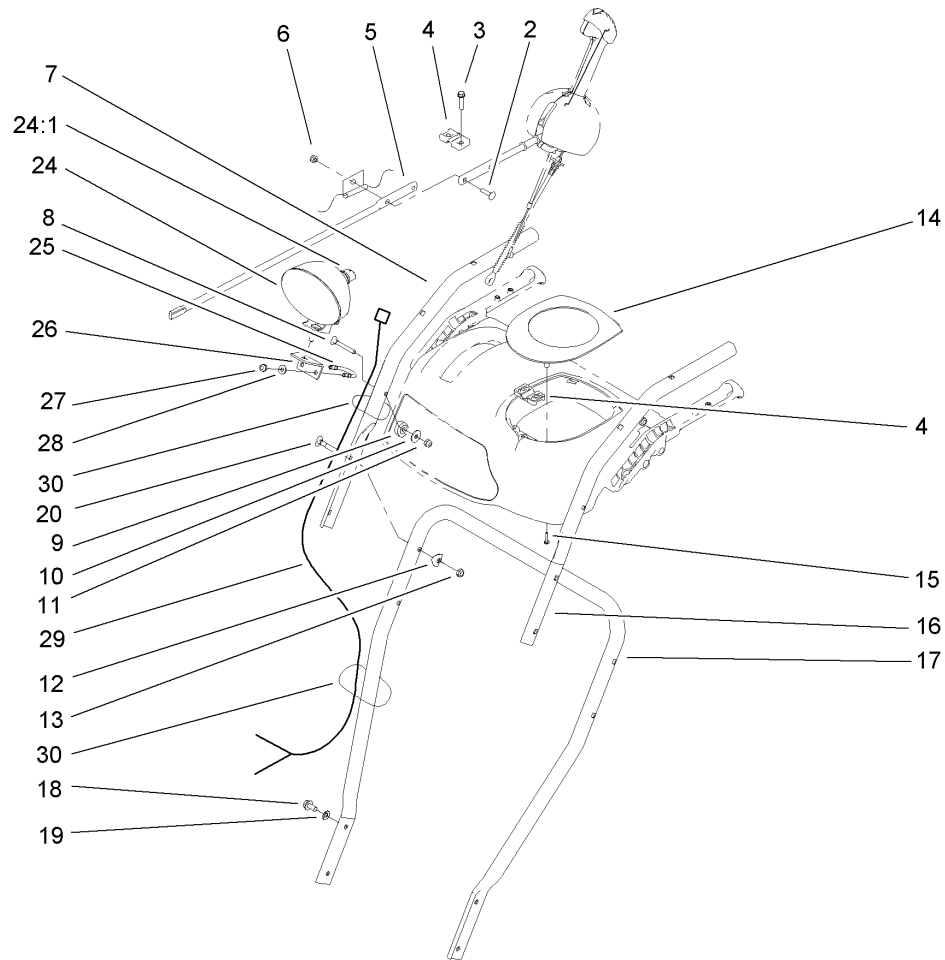
| Ref | Part No. | Qty. | Description |
|-----|----------|------|-------------|
| | | | |
| | | | |
| | | | |
| | | | |



Control Panel Assembly

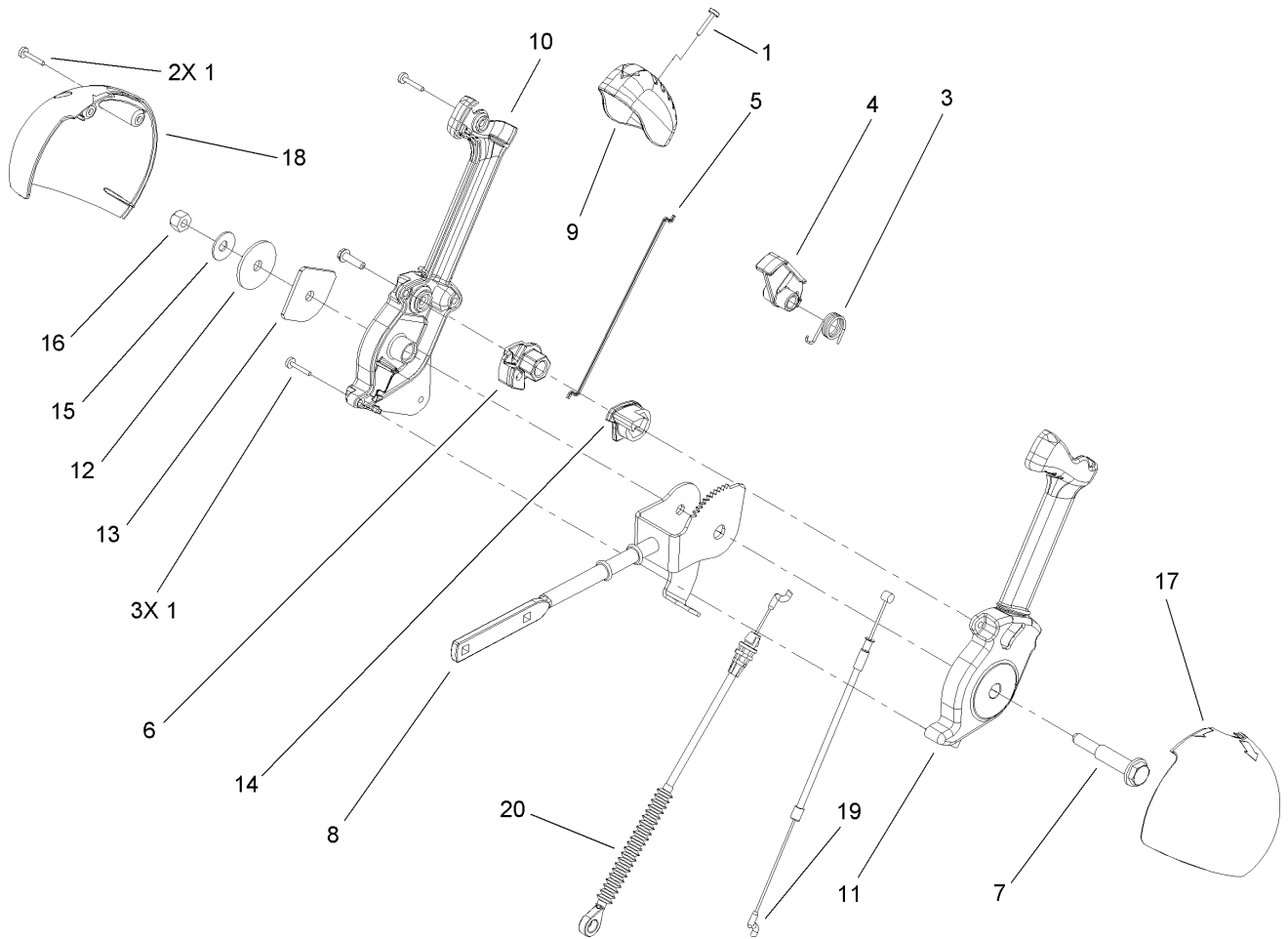
| Ref | Part No. | Qty. | Description |
|------|-------------|------|-----------------------|
| 1 | 106-4423 | 1 | Knob-Shift, RH |
| 2 | 106-7278-03 | 1 | Selector-Speed |
| 3 | 63-2650 | 1 | Screw-Shoulder |
| 4 | 108-7313 | 1 | Spring-Compression |
| 5 | 3290-307 | 2 | Pin-Hair |
| 6 | 101161 | 1 | Trunnion |
| 7 | 3256-24 | 3 | Washer-Flat |
| 8 | 612586 | 1 | Washer-Spring |
| 9 | 46-8092 | 4 | Screw-Plastite |
| 10 | 105-9999 | 1 | Knob-Shift, LH |
| 11 | 94-4496 | 1 | Screw-PPH |
| 12 | 106-7277-03 | 1 | Guide-Selector, Speed |
| 13 | 32128-13 | 1 | Nut-HF |
| 14 | 106-7279-03 | 1 | Mount-Selector, Speed |
| 15 | 105-9980 | 2 | Mount-Clutch, Lever |
| 16 | 3256-70 | 4 | Washer-Flat |
| 17 | 3296-72 | 5 | Nut-Lock, NI |
| 18 | 106-4505 | 2 | Lever-Clutch |
| 19 | 108-2992 | 2 | Pin-Hair |
| 20 | 1-808265 | 2 | Pin-Clevis |
| 21 | 106-4413 | 1 | Lever-Auger |
| 23 | 108-2969 | 1 | Control Panel ASM |
| 23:2 | 108-2967 | 1 | Decal |
| 24 | 32121-125 | 3 | Pin-Spring |

| Ref | Part No. | Qty. | Description |
|-----|----------|------|----------------|
| 25 | 107-3001 | 1 | Spring-Tension |
| 26 | 106-4410 | 1 | Lever-Traction |
| 27 | 105-9996 | 1 | Rod-Lockout |
| 28 | 107-1043 | 1 | Cam-Lockout |
| 29 | 108-0023 | 1 | Latch-Lockout |
| 30 | 98-3499 | 1 | Washer-Flat |
| 31 | 107-3000 | 1 | Link-Lockout |
| 32 | 108-0024 | 1 | Spring-Torsion |
| 33 | 106-4412 | 1 | Screw-Shoulder |
| 34 | 107-3018 | 4 | Screw-Handle |
| 39 | 106-4563 | 1 | Cable-Traction |
| 40 | 106-4599 | 1 | Cable-Auger |
| 41 | 107-8896 | 2 | Cable-Clutch |
| 42 | 107-1005 | 1 | Rod-Shift |
| 45 | 108-2964 | 1 | Decal |



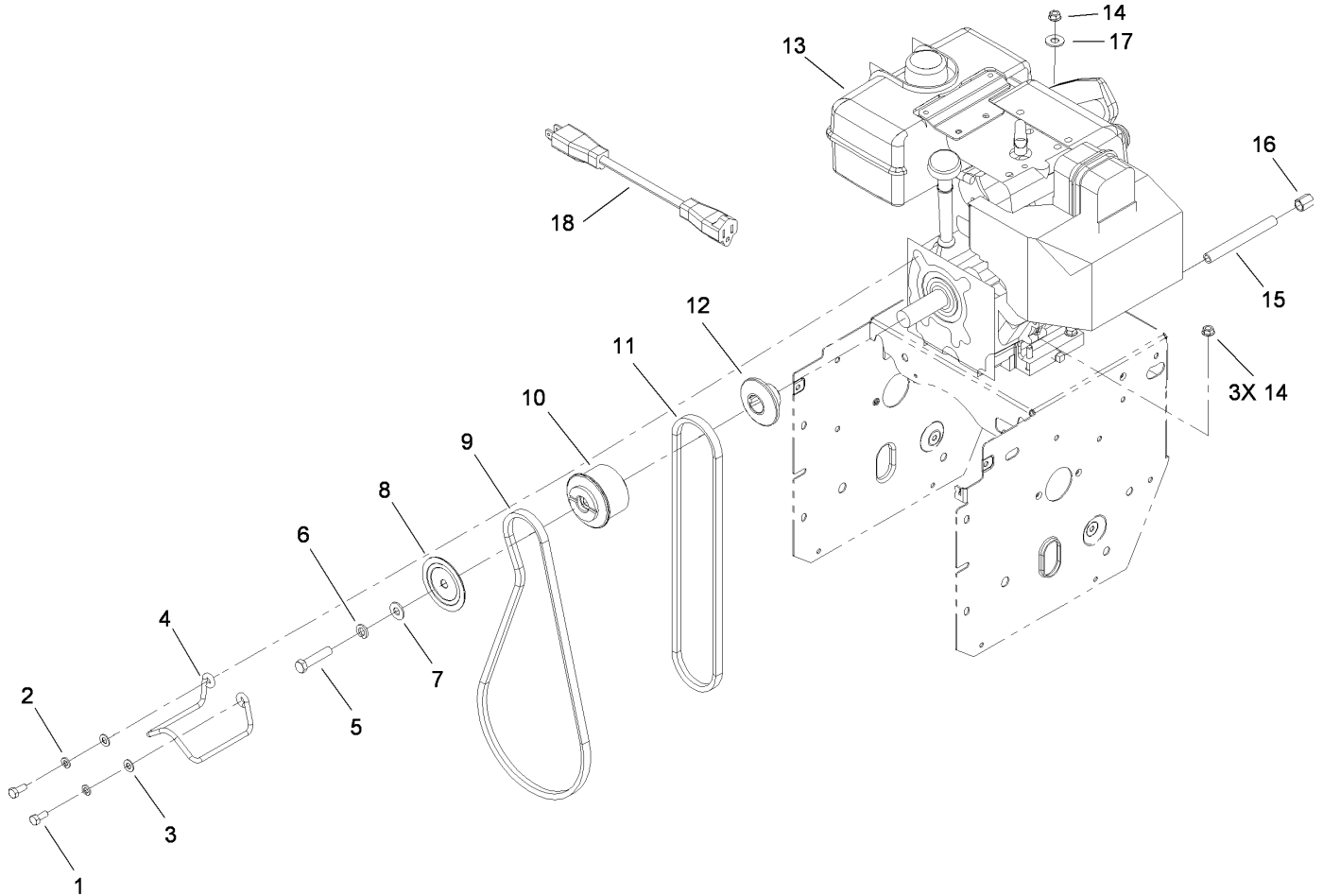
Handle and Control Assembly

| Ref | Part No. | Qty. | Description | Ref | Part No. | Qty. | Description |
|------|-------------|------|----------------------|-----|----------|------|--------------|
| 2 | 3229-30 | 2 | Screw-CARR | 28 | 3256-1 | 2 | Washer-Flat |
| 3 | 46-8092 | 2 | Screw-Plastite | 29 | 106-4511 | 1 | Harness-Wire |
| 4 | 105-9987 | 2 | Support-Rod | 30 | 614249 | 2 | Strap-Tie |
| 5 | 106-7283 | 1 | Rod-Chute, Front | | | | |
| 6 | 3296-73 | 2 | Nut-Lock, NI | | | | |
| 7 | 108-0038-03 | 1 | Handle-Upper, RH | | | | |
| 8 | 95-4453 | 2 | Screw | | | | |
| 9 | 106-4509 | 2 | Clamp-Cable | | | | |
| 10 | 87-6630 | 2 | Washer-Plain | | | | |
| 11 | 3296-73 | 2 | Nut-Lock, NI | | | | |
| 12 | 107-3844 | 4 | Washer | | | | |
| 13 | 3296-72 | 4 | Nut-Lock, NI | | | | |
| 14 | 106-4586 | 1 | Cover-Panel, Control | | | | |
| 15 | 94-4496 | 2 | Screw-PPH | | | | |
| 16 | 108-0037-03 | 1 | Handle-Upper, LH | | | | |
| 17 | 105-9981-03 | 1 | Handle-Lower | | | | |
| 18 | 32144-14 | 4 | Screw-HWHTF | | | | |
| 19 | 3290-475 | 4 | Washer-Belleville | | | | |
| 20 | 92-2260 | 4 | Screw-Handle | | | | |
| 24 | 106-4510 | 1 | Headlamp ASM | | | | |
| 24:1 | 108-0008 | 1 | Lamp-12 Volt | | | | |
| 25 | 107-3024 | 1 | Clamp | | | | |
| 26 | 107-1020-03 | 1 | Bracket-Light | | | | |
| 27 | 3296-73 | 2 | Nut-Lock, NI | | | | |



Lever Chute Control Assembly

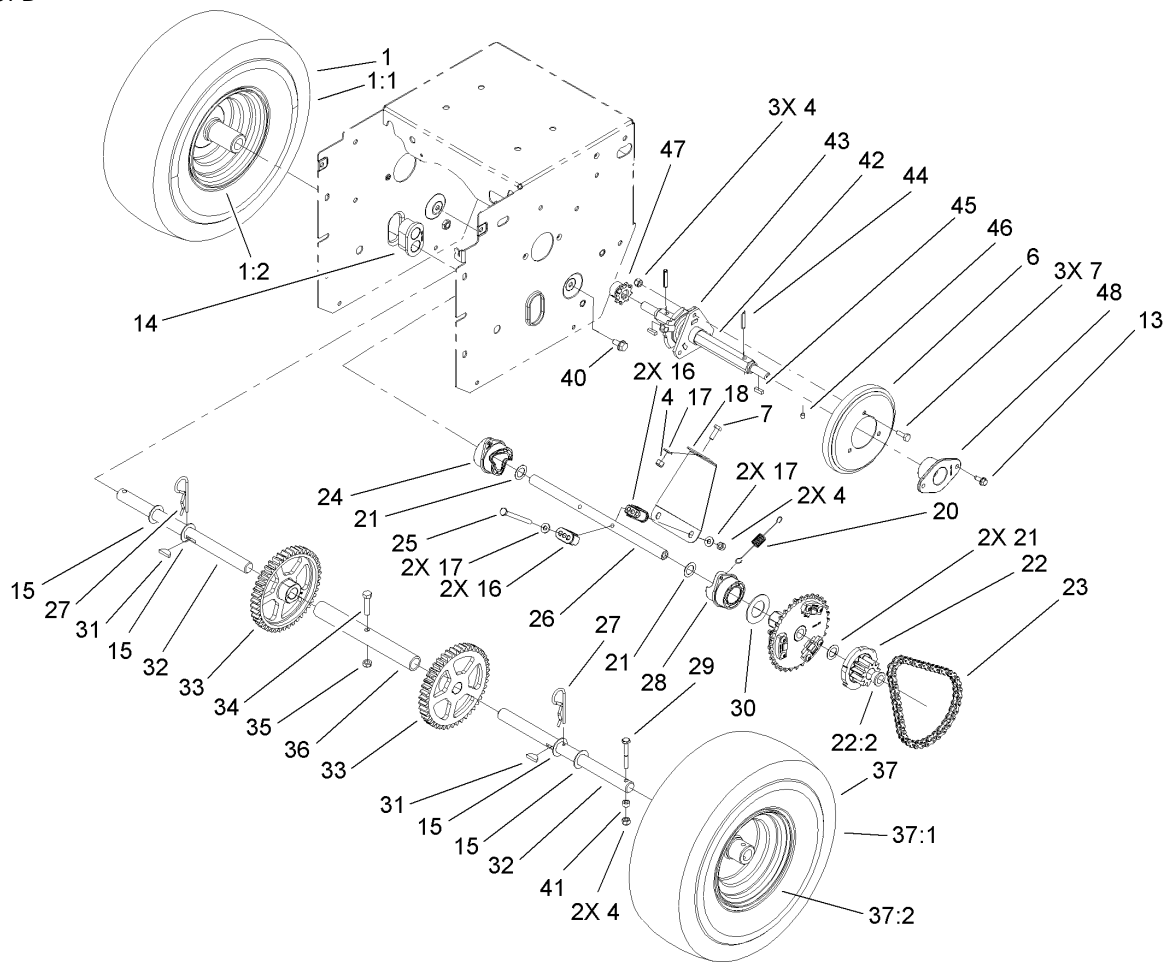
| Ref | Part No. | Qty. | Description |
|-----|----------|------|--------------------------|
| 1 | 94-4496 | 6 | Screw-PPH |
| 3 | 105-9982 | 1 | Spring-Torsion |
| 4 | 105-9984 | 1 | Trigger-Latch |
| 5 | 105-9985 | 1 | Link-Latch |
| 6 | 105-9988 | 1 | Lever-Cable, Deflector |
| 7 | 105-9995 | 1 | Screw-Shoulder |
| 8 | 106-4479 | 1 | Rod-Control, Chute |
| 9 | 106-7280 | 1 | Cap-Lever |
| 10 | 106-7281 | 1 | Lever-Chute Control, RH |
| 11 | 106-7282 | 1 | Lever-Chute Control, LH |
| 12 | 107-3002 | 1 | Washer-Nylon |
| 13 | 106-7295 | 1 | Plate-Friction |
| 14 | 106-7310 | 1 | Pawl-Latch |
| 15 | 3290-456 | 1 | Washer-Belleville |
| 16 | 3296-29 | 1 | Nut-Lock, NI |
| 17 | 105-9986 | 1 | Cover-Chute Lever, LH |
| 18 | 106-7292 | 1 | Cover-Chute Lever, RH |
| 19 | 105-9989 | 1 | Cable-Release, Chute |
| 20 | 105-9990 | 1 | Cable-Control, Deflector |



Engine Assembly

| Ref | Part No. | Qty. | Description |
|-----|----------|------|----------------------------------|
| 1 | 3210-3 | 2 | Screw-HH |
| 2 | 3253-4 | 2 | Washer-Lock |
| 3 | 3256-23 | 2 | Washer-Flat |
| 4 | 107-3835 | 1 | Guide-Belt |
| 5 | 3212-8 | 1 | Screw-HH |
| 6 | 3253-6 | 1 | Washer-Lock |
| 7 | 3256-4 | 1 | Washer-Flat |
| 8 | 62-0940 | 1 | Sheave-Half, Impeller |
| 9 | 106-4498 | 1 | Belt-V |
| 10 | 106-7333 | 1 | Pulley-Engine, Center |
| 11 | 94-8812 | 1 | V Belt-Traction |
| 12 | 106-7334 | 1 | Sheave-Half, Traction |
| 13 | | 1 | Engine-Tecumseh, LH358Sa-159625A |
| 14 | 32128-20 | 4 | Nut-HF |
| 15 | 289-34 | 1 | Nipple-Pipe |
| 16 | 288-2 | 1 | Cap-Pipe |
| 17 | 3256-2 | 1 | Washer-Flat |
| 18 | 99-9300 | 1 | Cord-Extension |

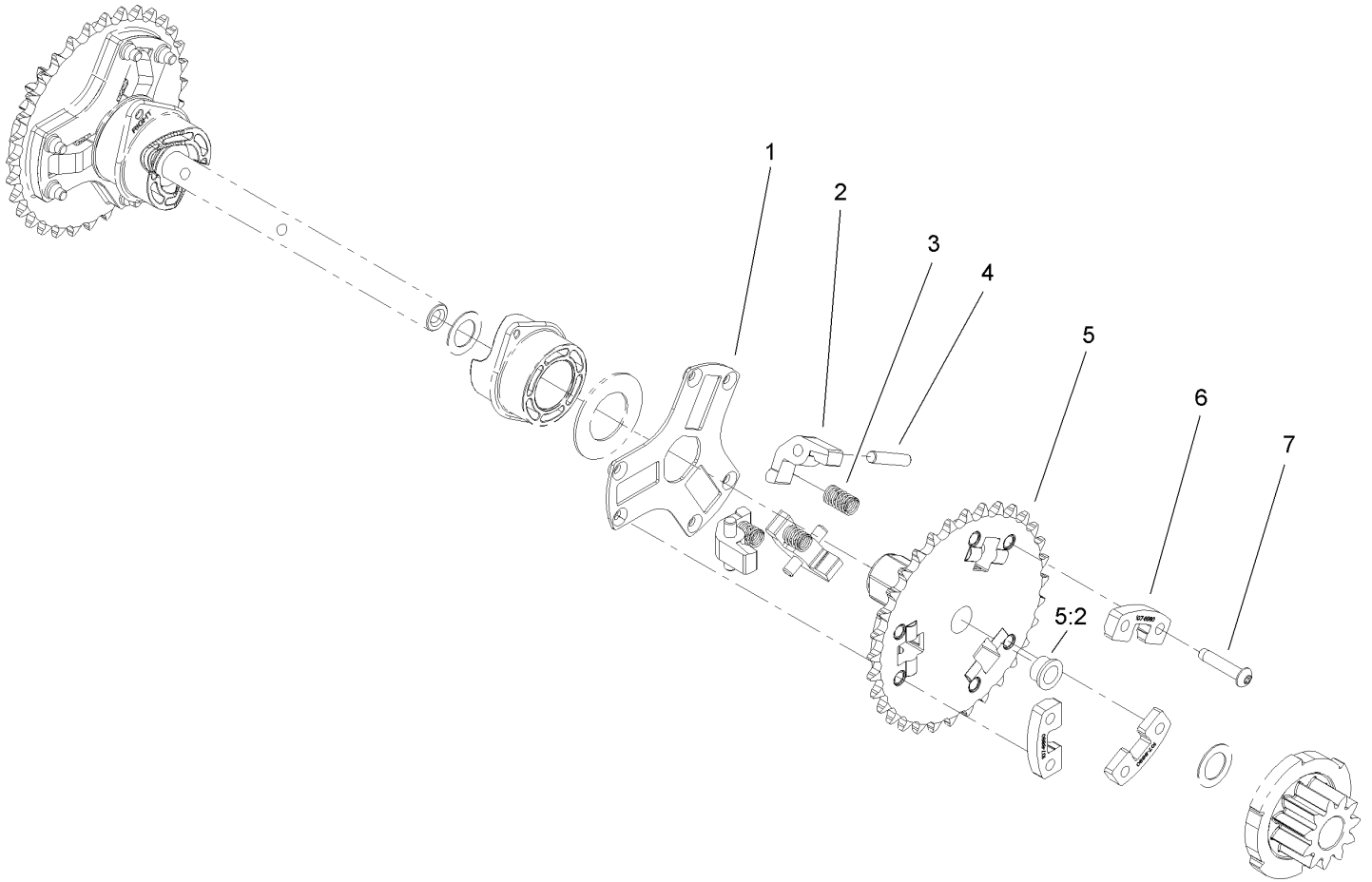
| | | | |
|--|--|--|--|
| | | | |
| | | | |
| | | | |
| | | | |



Wheel Clutch Assembly

| Ref | Part No. | Qty. | Description |
|------|-------------|------|-----------------------|
| 1 | | 1 | RH Wheel And Tire ASM |
| 1:1 | 107-3042 | 1 | Tire |
| 1:2 | 107-3043 | 1 | Rim-Tire |
| 4 | 3296-42 | 8 | Nut-Lock, NI |
| 6 | 106-4480 | 1 | Wheel-Friction |
| 7 | 321-4 | 4 | Screw-HH |
| 13 | 32144-10 | 4 | Screw-HWH |
| 14 | 106-4558 | 2 | Bearing-Axle |
| 15 | 3-8664 | 4 | Washer-Thrust |
| 16 | 107-8889 | 4 | Guide-Collar |
| 17 | 3256-22 | 5 | Washer-Flat |
| 18 | 107-8892-03 | 1 | Brace-Collar, Shift |
| 20 | 107-8893 | 2 | Spring-Extension |
| 21 | 108-0015 | 4 | Washer-Flat |
| 22 | 107-8894 | 2 | 11T Gear ASM |
| 22:2 | 108-2973 | 2 | Bushing-Flange |
| 23 | 108-0016 | 2 | Chain-Roller |
| 23 | 2710-6 | 2 | Link-Connecting |
| 24 | 107-8888 | 1 | Collar-Shift, RH |
| 25 | 321-23 | 2 | Screw-HH |
| 26 | 107-8883 | 1 | Shaft-Intermediate |
| 27 | 3290-343 | 2 | Pin-Hair |
| 28 | 107-8887 | 1 | Collar-Shift, LH |
| 29 | 108-2975 | 2 | Screw-HH |

| Ref | Part No. | Qty. | Description |
|------|----------|------|-----------------------|
| 30 | 107-8891 | 2 | Washer-Thrust |
| 31 | 3257-7 | 2 | Key-Woodruff |
| 32 | 107-8898 | 2 | Shaft-Axle |
| 33 | 106-4572 | 2 | Gear-Axle, 44 Tooth |
| 34 | 322-17 | 1 | Screw-HH |
| 35 | 3296-47 | 1 | Nut-Lock, NI |
| 36 | 106-7259 | 1 | Tube-Axle |
| 37 | | 1 | LH Wheel And Tire ASM |
| 37:1 | 107-3042 | 1 | Tire |
| 37:2 | 107-3043 | 1 | Rim-Tire |
| 40 | 32144-14 | 2 | Screw-HWHTF |
| 41 | 55-9370 | 2 | Spacer-Blade, Rotor |
| 42 | 108-7314 | 1 | Shaft-Hex |
| 43 | 106-4434 | 1 | Trunion-Hex |
| 44 | 32121-9 | 2 | Pin-Roll, Slotted |
| 45 | 94-8850 | 2 | Key-Square |
| 46 | 3245-32 | 4 | Screw-HSH |
| 47 | 106-7317 | 2 | Sprocket-8 Tooth |
| 48 | 108-7319 | 2 | Retainer-Bearing |



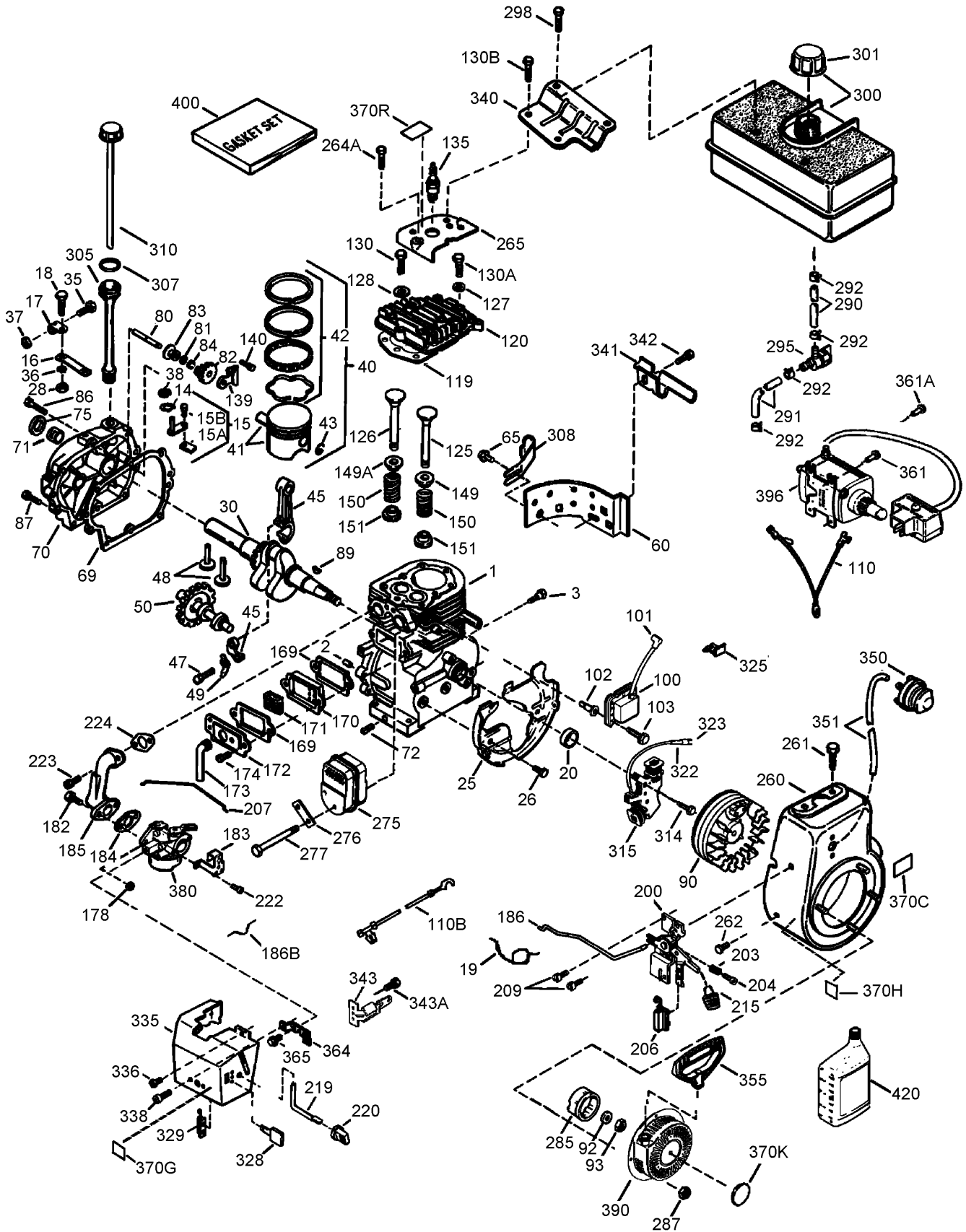
Wheel Clutch Sprocket Assembly

| Ref | Part No. | Qty. | Description |
|-----|----------|------|------------------------|
| 1 | 107-8886 | 2 | Retainer-Pawl Pin |
| 2 | 107-8879 | 6 | Pawl-Clutch |
| 3 | 107-8885 | 6 | Spring-Compression |
| 4 | 107-8899 | 6 | Pin-Dowel |
| 5 | 107-8895 | 2 | 32T Sprocket ASM |
| 5:2 | 108-2973 | 2 | Bushing-Flange |
| 6 | 107-8880 | 6 | Support-Pawl |
| 7 | 108-0035 | 12 | Screw-Torx Button Head |

| | | | |
|--|--|--|--|
| | | | |
| | | | |
| | | | |
| | | | |
| | | | |
| | | | |
| | | | |
| | | | |
| | | | |
| | | | |

Engine Assembly

Tecumseh LH358SA-159625A



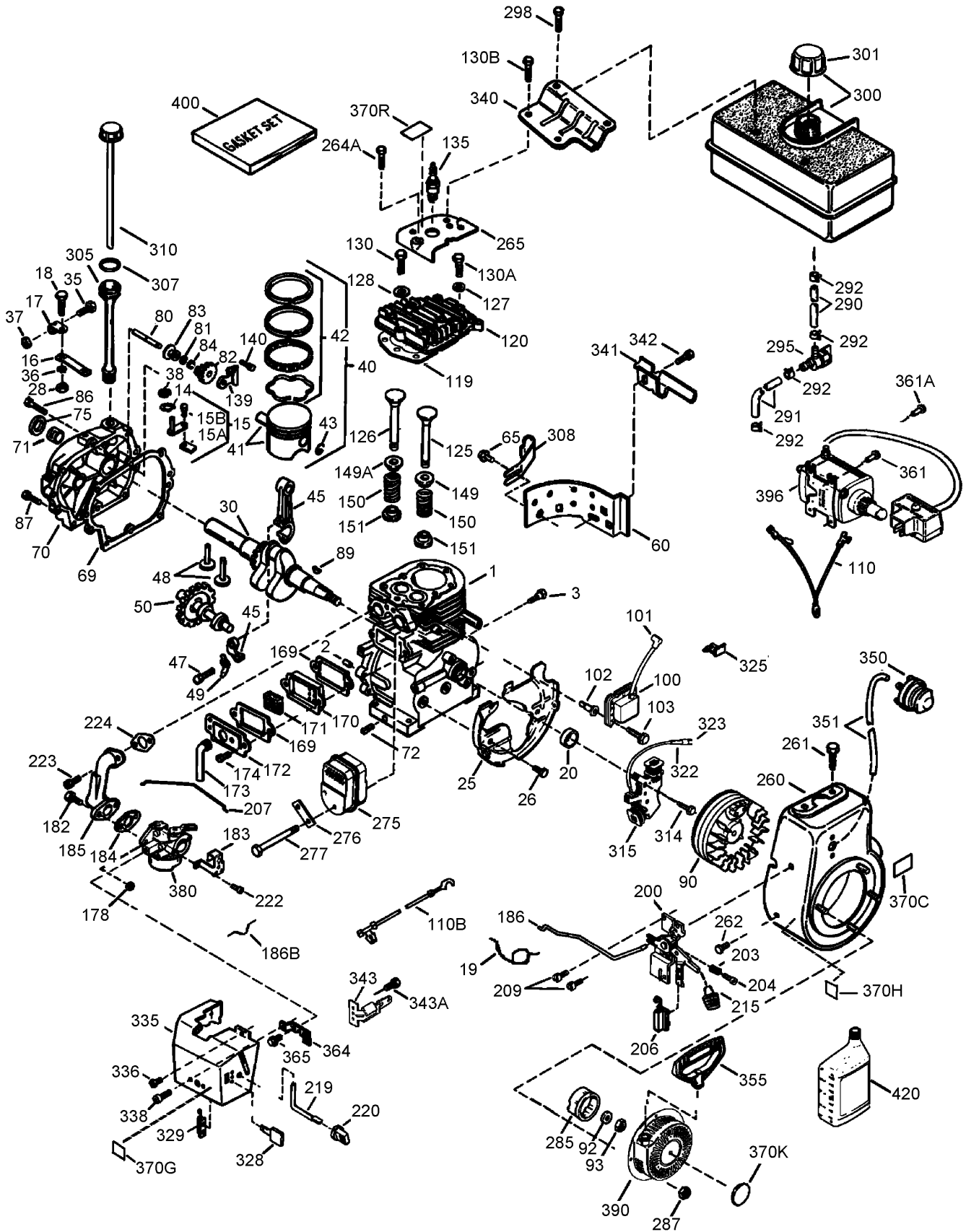
Engine Assembly

Tecumseh LH358SA-159625A

| Ref | Part No. | Qty. | Description | Ref | Part No. | Qty. | Description |
|------|----------|------|--|-------|----------|------|--|
| 21 | 35371 | 1 | Cylinder ASM (Includes 2, 20, 72) | 286 | 650833 | 7 | Screw (1/4-20X1-3/16) |
| 22 | 27652 | 2 | Pin-Dowel | 287 | 650832 | 1 | Screw (1/4-20X1-11/16) |
| 23 | 650820 | 2 | Screw (1/4-20X1/2) | 289 | 32589 | 1 | Key-Flywheel |
| 214 | 28277 | 1 | Washer-Flat | 290 | 611093 | 1 | Flywheel ASM |
| 215 | 30699C | 1 | Rod-Governor (Includes 15A, 15B) | 292 | 650880 | 1 | Washer-Belleville |
| 215A | 30700 | 1 | Yoke-Governor | 293 | 650881 | 1 | Nut-Flywheel |
| 215B | 650494 | 1 | Screw (6-40X5/16) | 2100 | 35135A | 1 | Ignition-State, Solid (Includes 101) |
| 216 | 33454A | 1 | Lever-Governor | 2101 | 610118 | 1 | Cover-Spark Plug |
| 217 | 29916 | 1 | Clamp-Lever, Governor | 2102 | 651024 | 2 | Stud-Mounting, Solid State |
| 218 | 651028 | 1 | Screw (T-15, 8-32X7/16) | 2103 | 651007 | 2 | Screw (T-15, 10-24 X 15/16) |
| 219 | 34663 | 1 | Spring-Throttle | 2110 | 35187 | 1 | Wire-Ground |
| 220 | 35319 | 1 | Seal-Oil | 2110B | 37047 | 1 | Wire-Ground |
| 225 | 37853 | 1 | Baffle-Housing, Blower | 2119 | 36451 | 1 | Gasket-Head, Cylinder |
| 226 | 650561 | 2 | Screw (1/4-20X19/32) | 2120 | 36449 | 1 | Head-Cylinder |
| 228 | 30322 | 1 | Nut-Lock (8-32) | 2125 | 27878A | 1 | Valve-Exhaust (STD) (Includes 151) |
| 230 | 35571A | 1 | Crankshaft | 2125 | 27880A | 1 | Valve-Exhaust (1/32In Os) (Includes 151) |
| 235 | 29826 | 1 | Screw (10-32X3/4) | 2126 | 34035 | 1 | Valve-Intake (STD) (Includes 151) |
| 236 | 29918 | 1 | Washer-Lock (8) | 2127 | 650691 | 5 | Washer-Flat |
| 237 | 29216 | 1 | Nut-Lock (10-32) | 2128 | 650690 | 3 | Washer-Belleville |
| 238 | 29642 | 1 | Ring-Retaining | 2130 | 6021A | 4 | Screw (5/16-18X1-1/2) |
| 240 | 35776A | 1 | Piston Pin And Ring ASM (STD) | 2130A | 650727 | 2 | Screw (5/16-18X1-25/32) |
| 240 | 35777A | 1 | Piston Pin And Ring ASM (.010) | 2130B | 651055 | 2 | Screw (5/16-18X39/64) |
| 240 | 35778A | 1 | Piston Pin And Ring ASM (.020) | 2135 | 35395 | 1 | Spark Plug-Resistor (R J19 L M) |
| 241 | 35773A | 1 | Piston And Pin ASM (STD) (Includes 43) | 2139 | 33369 | 1 | Bracket-Gear, Governor |
| 241 | 35774A | 1 | Piston And Pin ASM (.010) (Includes 43) | 2140 | 650836 | 2 | Screw (10-24X1/2) |
| 241 | 35775A | 1 | Piston And Pin ASM (.020In Os) (Includes 43) | 2149 | 27882 | 1 | Cap-Spring, Valve |
| 242 | 35779 | 1 | Ring Set (STD) | 2149A | 35862 | 1 | Cap-Spring, Valve |
| 242 | 35780 | 1 | Ring Set (.010) | 2150 | 27881 | 2 | Spring-Valve |
| 242 | 35781 | 1 | Ring Set (.020) | 2151 | 32581 | 2 | Keeper-Spring, Valve |
| 243 | 35772 | 2 | Retaining Ring-Piston Pin | 2169 | 27896A | 1 | Gasket-Cover, Valve |
| 245 | 36898 | 1 | Connecting Rod ASM (Includes 47, 49) | 2170 | 28423 | 1 | Body-Breather |
| 247 | 651033 | 2 | Bolt-Rod, Connecting | 2171 | 28424 | 1 | Element-Breather |
| 248 | 34034 | 2 | Lifter-Valve | 2172 | 28425 | 1 | Cover-Valve |
| 249 | 36896 | 1 | Dipper-Oil | 2173 | 35350 | 1 | Tube-Breather |
| 250 | 35375 | 1 | Camshaft (Mcr) | 2174 | 650128 | 2 | Screw (10-24X1/2) |
| 260 | 33273A | 1 | Extension-Housing, Blower | 2178 | 29752 | 4 | Nut And Lock Washer (1/4-28) |
| 265 | 650128 | 2 | Screw (10-24X1/2) | 2182 | 30088A | 2 | Screw (1/4-28X1) |
| 269 | 37342 | 1 | Gasket-Cover, Cylinder | 2183 | 34587A | 1 | Bracket-Choke |
| 270 | 37847 | 1 | Cover-Cylinder (Includes 71, 75, 80-84) | 2184 | 33263 | 1 | Gasket-Carburetor To Intake Pipe |
| 271 | 35377 | 1 | Bushing-Crankshaft | 2185 | 33877 | 1 | Pipe-Intake |
| 272 | 27642 | 1 | Plug-Drain, Oil (SQH 1/4-18) | 2186 | 34667 | 1 | Link-Governor |
| 275 | 35319 | 1 | Seal-Oil | 2186B | 36652 | 1 | Spring-Choke |
| 280 | 37587 | 1 | Shaft-Governor | 2200 | 34677 | 1 | Bracket-Control (Includes 203, 204) |
| 281 | 651080 | 1 | Washer | 2203 | 31342 | 1 | Spring-Compression |
| 282 | 37588 | 1 | Governor Gear ASM (Includes 81) | 2204 | 651029 | 1 | Screw (T-10, 5-40X7/16) |
| 283 | 30588A | 1 | Spool-Governor | 2206 | 610973 | 1 | Terminal |
| 284 | 29193 | 1 | Ring-Retaining | 2207 | 33878 | 1 | Link-Throttle |
| | | | | 2209 | 650821 | 2 | Screw (10-32 X 1/2) |
| | | | | 2215 | 35440 | 1 | Knob-Control |

Engine Assembly (continued)

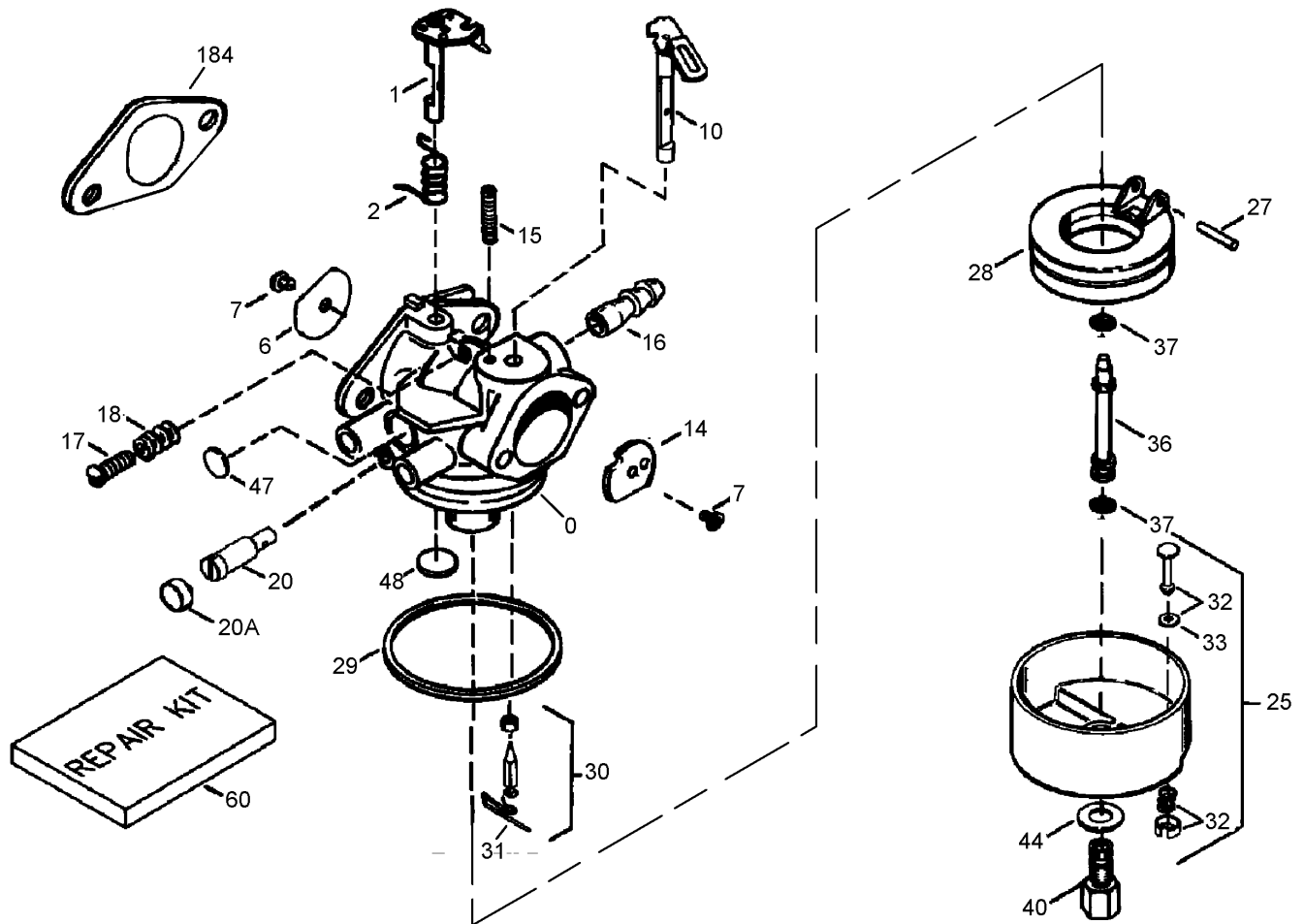
Tecumseh LH358SA-159625A



Engine Assembly (continued)

Tecumseh LH358SA-159625A

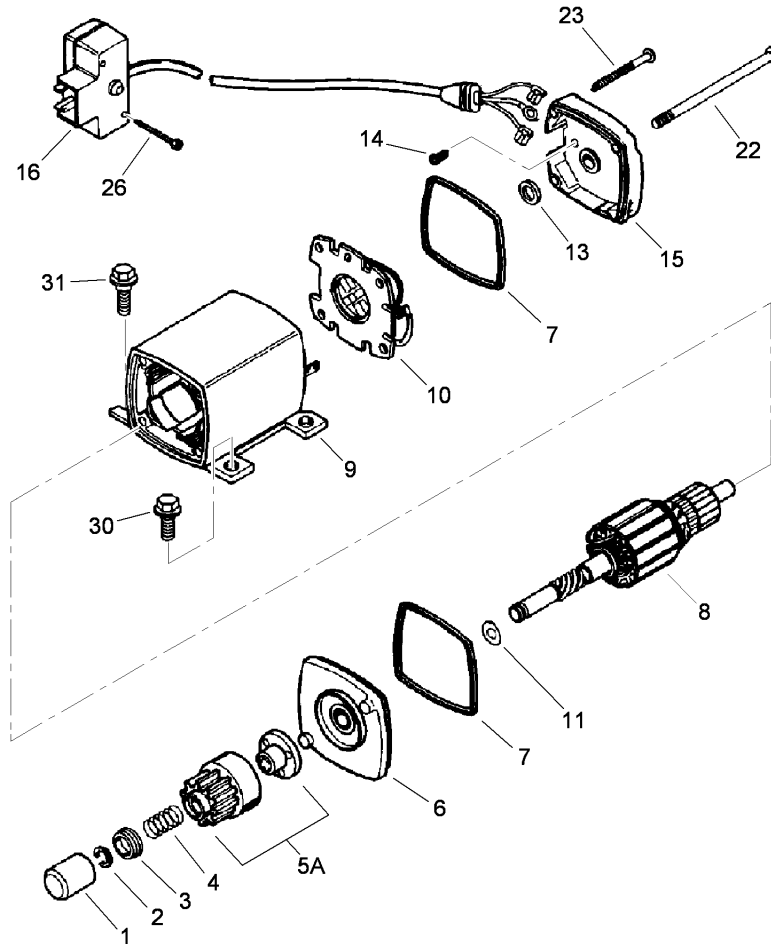
| Ref | Part No. | Qty. | Description | Ref | Part No. | Qty. | Description |
|------|----------|------|--|------|----------|------|--|
| 223 | 650378 | 2 | Screw (T-30, 5/16-18X1-3/32) | 370K | 36695 | 1 | Decal-Tecumseh Logo For Top Of Recoil Starter |
| 224 | 27915A | 1 | Gasket-Pipe, Intake | 370R | 37119 | 1 | Decal-Warning (Bilingual) |
| 260 | 35447A | 1 | Housing-Blower | 380 | 640349 | 1 | Carburetor ASM (Includes 184) |
| 261 | 650788 | 1 | Screw (5/16-18X3/4) | 390 | 590749 | 1 | Starter-Rewind (Note: This Engine Could Have Been Built With Starter 590733) |
| 262 | 651084 | 2 | Screw (5/16-18X9/16) | 396 | 33329D | 1 | Starter-Electric (110 Volt) |
| 264A | 650802 | 1 | Screw (1/2-20X5/8) | 400 | 36452B | 1 | Gasket Set (Includes 69, 119, 169, 184, 224) |
| 265 | 33272D | 1 | Cover-Head, Cylinder (Black) | 420 | 730226A | 1 | Oil-Engine, S A E 5W30 |
| 275 | 35056 | 1 | Muffler | | | | |
| 276 | 31588 | 1 | Plate-Locking | | | | |
| 277 | 651002 | 2 | Screw (5/16-18X4-3/16) | | | | |
| 285 | 35985C | 1 | Cup-Starter | | | | |
| 287 | 29752 | 4 | Nut And Lock Washer (1/4-28) | | | | |
| 290 | 30705 | 1 | Line-Fuel | | | | |
| 291 | 29774 | 1 | Line-Fuel (1.5In) | | | | |
| 292 | 26460 | 6 | Clamp-Line, Fuel | | | | |
| 295 | 35957 | 1 | Valve-Shut Off, Fuel (Includes 292) | | | | |
| 298 | 650665 | 2 | Screw (1/4-15X7/8) | | | | |
| 300 | 34156A | 1 | Tank-Fuel (Includes 292, 301) | | | | |
| 301 | 37844 | 1 | Cap-Fuel (Black) (1-1/2 I D) | | | | |
| 305 | 36877 | 1 | Tube-Fill, Oil | | | | |
| 307 | 35499 | 1 | O-Ring | | | | |
| 308 | 35539 | 1 | Clip-Tube, Fill | | | | |
| 310 | 37869 | 1 | Dipstick | | | | |
| 314 | 650873 | 1 | Screw (1/4-20 X 3/4) | | | | |
| 315 | 611111 | 1 | Coil-Alternator, 18 Watt (Includes 322, 323) | | | | |
| 322 | 611117 | 1 | Body-Connector | | | | |
| 323 | 611118 | 1 | Terminal | | | | |
| 325 | 29443 | 1 | Clip-Wire | | | | |
| 328 | 35062 | 2 | Key-Ignition | | | | |
| 329 | 610973 | 1 | Terminal | | | | |
| 335 | 36547 | 1 | Cover-Carburetor (Black) | | | | |
| 336 | 650765 | 1 | Screw (10-32X1/2) | | | | |
| 338 | 28942 | 2 | Screw (10-32 X 3/8) | | | | |
| 340 | 34154 | 1 | Bracket-Tank, Fuel (Black) | | | | |
| 341 | 34155 | 1 | Bracket-Tank, Fuel | | | | |
| 342 | 650561 | 1 | Screw (1/4-20X19/32) | | | | |
| 343 | 35079A | 1 | Bracket-Switch, Key (Includes 343A) | | | | |
| 343A | 651060 | 1 | Screw (8-32 X 23/64) | | | | |
| 350 | 570682A | 0 | Primer ASM | | | | |
| 351 | 32180C | 1 | Line-Primer | | | | |
| 355 | 590574 | 1 | Handle-Starter, Mitten Grip | | | | |
| 361 | 650990 | 2 | Screw (T-30, 1/4-20X15/32) | | | | |
| 361A | 650819 | 2 | Screw (6-32X2-1/2) | | | | |
| 364 | 37659 | 1 | Bracket-Cover, Carburetor | | | | |
| 365 | 650767 | 2 | Screw (8-32X27/64) | | | | |
| 370C | 36501 | 1 | Decal-Primer, International Symbol | | | | |
| 370G | 36534 | 1 | Decal-Instruction | | | | |
| 370H | 35077 | 1 | Decal-Speed Control And Choke | | | | |



Carburetor Assembly Tecumseh LH358SA-159625A

| Ref | Part No. | Qty. | Description |
|------|----------|------|--|
| 20 | 640349 | 1 | Carburetor ASM (Includes 184) |
| 21 | 631776A | 1 | Throttle Shaft And Lever ASM |
| 22 | 631970 | 1 | Spring-Return, Throttle |
| 26 | 640109 | 1 | Shutter-Throttle |
| 27 | 650506 | 2 | Screw-Shutter |
| 210 | 632112 | 1 | Choke Shaft And Lever ASM |
| 214 | 632174 | 1 | Shutter-Choke |
| 215 | 630735 | 1 | Spring-Positioning, Choke |
| 216 | 632164 | 1 | Fitting-Fuel |
| 217 | 651025 | 1 | Screw-Throttle Crack And Idle Speed |
| 218 | 630766 | 1 | Spring-Tension |
| 220 | 640027 | 1 | Screw-Restrictor, Idle |
| 220A | 640200 | 1 | Cap-Screw, Restrictor Idle |
| 225 | 631951 | 1 | Float Bowl ASM (Includes 32, 33) |
| 227 | 631024 | 1 | Shaft-Float |
| 228 | 632802 | 1 | Float (Plastic) |
| 229 | 631028 | 1 | O Ring-Bowl, Float |
| 230 | 631021A | 1 | Inlet Needle, Seat, And Clip ASM (Includes 31) |
| 231 | 631022 | 1 | Clip-Spring |
| 232 | 27136A | 1 | Bowl Drain ASM |
| 233 | 27554 | 1 | Gasket-Plunger, Drain |
| 236 | 640113 | 1 | Tube-Nozzle |

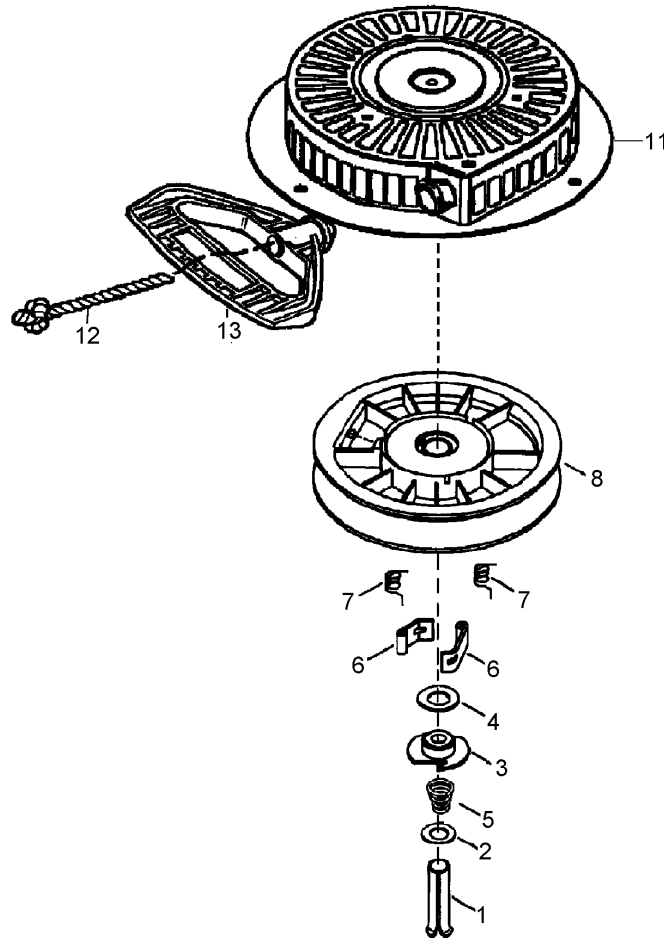
| Ref | Part No. | Qty. | Description |
|------|----------|------|---|
| 237 | 632547 | 2 | O-Ring |
| 240 | 640128 | 1 | Nut-Bowl, High Speed |
| 244 | 27110 | 1 | Washer-Bowl Nut |
| 247 | 630748 | 1 | Plug-Welch, Idle Mixture Well |
| 248 | 631027 | 1 | Plug-Welch, Atmospheric Vent |
| 260 | 632760B | 1 | Repair Kit (Includes 7, 27, 29, 30, 33, 37, 44, 47, 48) |
| 2184 | 33263 | 1 | Gasket-Carburetor To Intake Pipe |



Electric Starter Assembly No. 33329D Tecumseh LH358SA-159625A

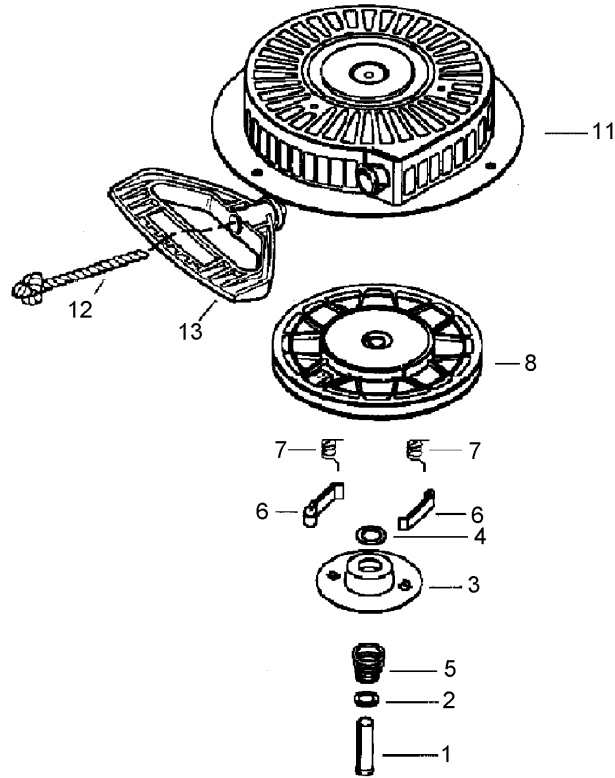
| Ref | Part No. | Qty. | Description |
|-----|----------|------|-------------------------------------|
| ① | 33451 | 1 | Cover-Dust |
| ② | 33842 | 1 | Ring-Retainer |
| ③ | 33430 | 1 | Retainer-Spring |
| ④ | 33431 | 1 | Spring-Anti Drift |
| ⑤A | 37050 | 1 | Gear And Nut (Includes 2) |
| ⑥ | 35449 | 1 | Drive End Cap ASM (Includes 7) |
| ⑦ | 35450 | 2 | O-Ring |
| ⑧ | 35915 | 1 | Armature |
| ⑨ | 35451A | 1 | Housing ASM |
| ⑩ | 35452A | 1 | Brush Card ASM |
| ⑪ | 35911 | 1 | Washer-Thrust |
| ⑬ | 590500 | 1 | Washer-Thrust |
| ⑭ | 33441 | 1 | Screw-Ground |
| ⑮ | 35453 | 1 | Commutator End Cap ASM (Includes 7) |
| ⑯ | 35454 | 1 | Switch Box ASM |
| ⑳ | 35455 | 2 | Bolt-Case |
| ㉓ | 35456 | 1 | Screw-Ground |
| ㉖ | 650819 | 2 | Screw (6-32X2-1/2) |
| ㉘ | 30063 | 2 | Screw (T-30, 1/4-20X1/2) |
| ㉚ | 650820 | 2 | Screw (1/4-20X1/2) |

| | | | |
|--|--|--|--|
| | | | |
| | | | |
| | | | |
| | | | |



Recoil Starter Assembly No. 590749 Tecumseh LH358SA-159625A

| Ref | Part No. | Qty. | Description | | | | |
|-----|----------|------|---|--|--|--|--|
| ① | 590599A | 1 | Spring Pin ASM (Includes 4) | | | | |
| ② | 590600 | 1 | Washer | | | | |
| ③ | 590679 | 1 | Retainer | | | | |
| ④ | 590601 | 1 | Washer | | | | |
| ⑤ | 590678 | 1 | Spring-Brake | | | | |
| ⑥ | 590680 | 2 | Dog-Starter | | | | |
| ⑦ | 590412 | 2 | Spring-Dog | | | | |
| ⑧ | 590682 | 1 | Pulley And Rewind Spring ASM | | | | |
| ⑪ | 590750A | 1 | Starter Housing ASM | | | | |
| ⑫ | 590535 | 1 | Rope-Starter (98 Cut To Length) | | | | |
| ⑬ | 590574 | 1 | Handle-Grip, Mitten (Not Included With Starter) | | | | |



Recoil Starter Assembly No. 590733 (Optional) Tecumseh LH358SA-159625A

| Ref | Part No. | Qty. | Description | | | | |
|-----|----------|------|---|--|--|--|--|
| ① | 590599A | 1 | Spring Pin ASM (Includes 4) | | | | |
| ② | 590600 | 1 | Washer | | | | |
| ③ | 590696 | 1 | Retainer | | | | |
| ④ | 590601 | 1 | Washer | | | | |
| ⑤ | 590697 | 1 | Spring-Brake | | | | |
| ⑥ | 590698 | 2 | Dog-Starter | | | | |
| ⑦ | 590699 | 2 | Spring-Dog | | | | |
| ⑧ | 590709 | 1 | Pulley And Rewind Spring ASM | | | | |
| ⑪ | 590734A | 1 | Starter Housing ASM | | | | |
| ⑫ | 590535 | 1 | Rope-Starter (98 Cut To Length) | | | | |
| ⑬ | 590574 | 1 | Handle-Grip, Mitten (Not Included With Starter) | | | | |

Attachments and Accessories

For 38640 - Power Max 1028LXE Snowthrower

| Product Name | Model/Part |
|-----------------------------|------------|
| Tire Chain Kit | 107-3813 |
| Snow Cab | 107-3814 |
| Weight Kit | 107-3815 |
| 28 Inch Drift Breaker | 107-3817 |

NOTES

