



206cc OHV Vacuum Blower

Model No. 62925 - 280000001 and up.

Parts Catalog

Ordering Replacement Parts

To order replacement parts, please supply the part number, the quantity, and the description of each part desired.

Understanding Reference Numbers

Each identified part in an illustration has a reference number. The reference number for a part also appears in the parts list, along with other information about the part.

This catalog uses two special reference number formats, one to indicate parts in a service assembly and another to indicate the quantity of a given part in an illustration.

Service Assembly Reference Numbers

Parts in service assemblies have reference numbers in the form a:b. The a represents the reference number of the entire service assembly and the b represents a sequential number unique to each part within the service assembly.

For example, a wheel assembly might be identified by reference number 6, the tire by 6:1, the valve by 6:2, and the wheel by 6:3. When you order the assembly identified by reference number 6, you receive all parts identified by reference numbers 6:1, 6:2, and 6:3. However, you may also order any part individually. Reference numbers of this type appear in illustrations and in part lists.

Reference Numbers Indicating Quantity

In an illustration, if a reference number indicates more than one part, the reference number has the form nX y. The n represents the quantity of the part, the X is the multiplication symbol, and the y represents the reference number.

For example, in an illustration, the reference number 2X 37 means that two of the parts identified by reference number 37 are indicated.

Contents

Description	Page	Description	Page
Blower, Fan and Snout Assembly 3	Carburetor Assembly Briggs and Stratton 126302-0321-B8 13
Blower Assembly 4	Air Cleaner Assembly Briggs and Stratton 126302-0321-B8 14
Engine and Front Wheel Assembly 5	Governor Assembly Briggs and Stratton 126302-0321-B8 15
Traction and Wheel Assembly 6	Muffler and Fuel Tank Assembly Briggs and Stratton 126302-0321-B8 16
Traction Assembly 7	Blower Housing Assembly Briggs and Stratton 126302-0321-B8 17
Handle and Vacuum Bag Assembly 8	Rewind Starter Assembly Briggs and Stratton 126302-0321-B8 18
Cylinder Assembly Briggs and Stratton 126302-0321-B8 9	Engine Gasket Set Briggs and Stratton 126302-0321-B8 19
Cylinder Head Assembly Briggs and Stratton 126302-0321-B8 10	Carburetor Overhaul Kit Briggs and Stratton 126302-0321-B8 20
Crankshaft Assembly Briggs and Stratton 126302-0321-B8 11		
Crankcase Assembly Briggs and Stratton 126302-0321-B8 12		

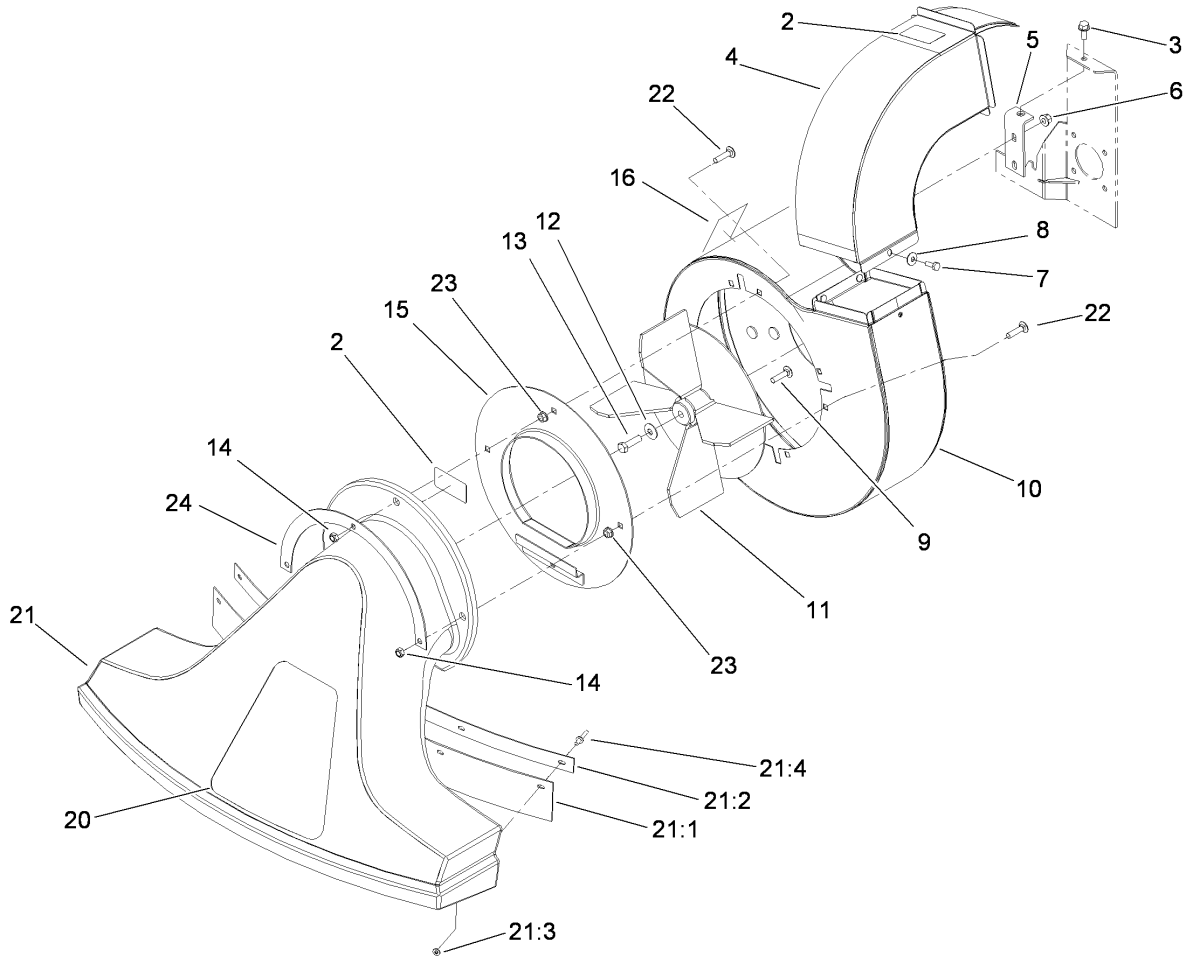
Part Description Abbreviations

Part descriptions in this catalog may include the following abbreviations.

AR. as required	HYD. hydraulic
ASM. assembly	LH. left hand
BBC. blade brake clutch	NI. nylon insert
CARR. carriage	NPTF. national pipe thread fine
DEG. degrees	PFH. phillips flat head
EXT. external	PPH. phillips pan head
FH. flat head	PPHTF. phillips pan head thread forming
GA. gauge	PRH. phillips round head
HD. heavy-duty	PTH. phillips truss head
HF. hex flange	PTO. power-take-off
HH. hex head	RH. right hand
HHF. hex head flange	ROPS. roll-over protection system
HHFTF. hex head flange thread forming	SFH. slotted fillister head
HJ. hex jam	SHH. slotted hex head
HLH. hex lag head	SHWH. slotted hex washer head
HOC. height-of-cut	SPH. slotted pan head
HSBH. hex socket button head	SQH. square head
HSFH. hex socket flat head	SRH. slotted round head
HSH. hex socket head	STD. standard
HWH. hex washer head	TAP. self tapping
HWHTF. hex washer head thread forming	TTH. torx truss head

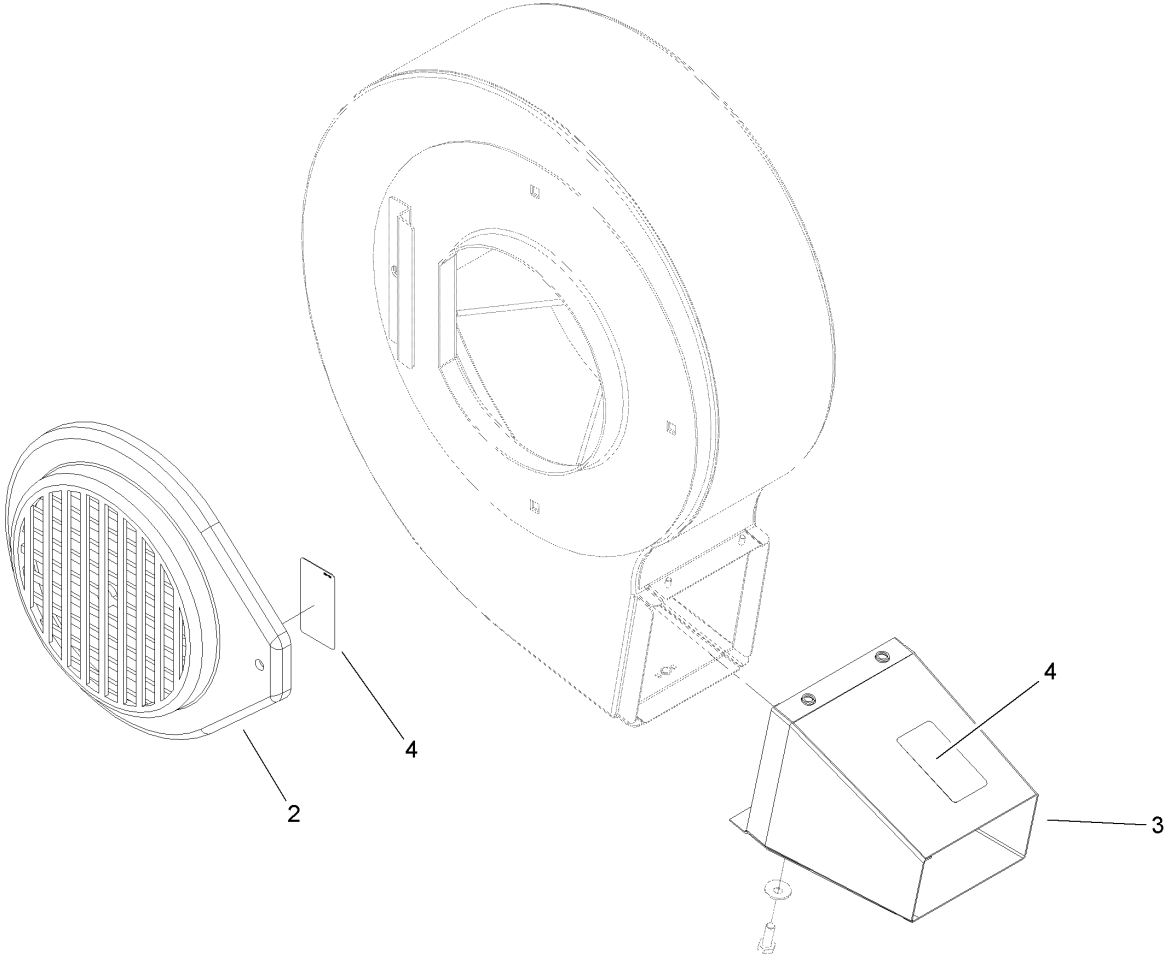
Footnotes

- | | |
|--|---|
| ❶ Not serviced separately | ❷ Obtain from your local Briggs & Stratton dealer |
| ❸ Included in Carburetor Overhaul Kit (Ref. No. 121) | ❹ Included in Engine Gasket Set (Ref. No. 358) |
| ❺ Included in Carburetor Gasket Set (Ref. No. 977) | ❻ Included in Valve Gasket Set (Ref. No. 1095) |



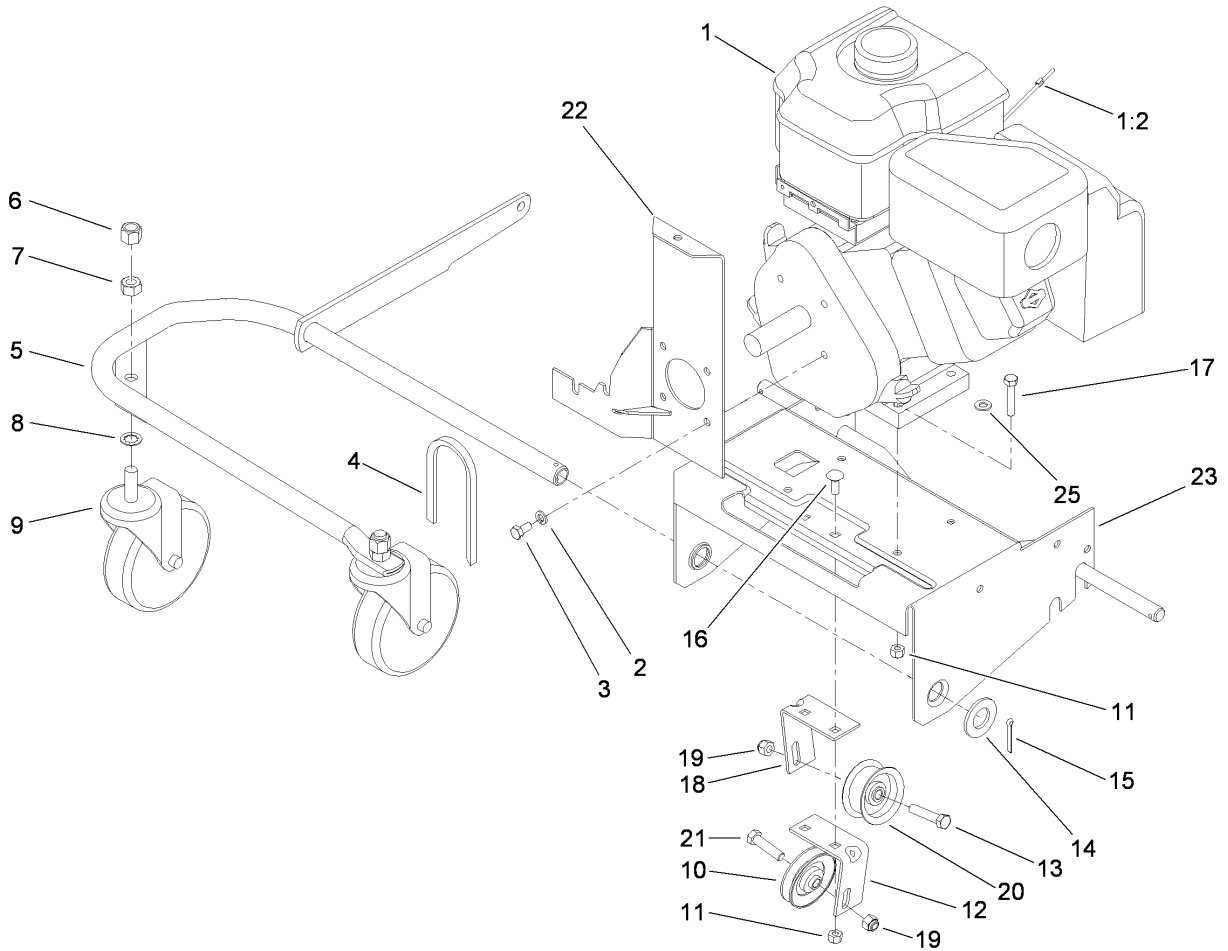
Blower, Fan and Snout Assembly

Ref	Part No.	Qty.	Description
2	93-4139	2	Decal-Caution, Bag
3	32144-70	1	Screw-HWHTF
4	110-8605-01	1	Vacuum Chute ASM
5	105-1233-03	1	Bracket-Mounting, Housing
6	104-8300	4	Nut-Flange, NI
7	321-2	1	Screw-HH
8	3290-436	1	Washer-Belleville
9	3230-19	1	Screw-CARR
10	110-8606-01	1	Blower/Vac Housing ASM
11	93-3677-03	1	Fan ASM
12	3290-340	1	Washer-Belleville
13	3211-5	1	Screw-HH
14	3296-47	4	Nut-Lock, NI
15	20-5450-01	1	Cover-Blower
16	105-4062	1	Decal-Warning, Rotate
20	107-8919	1	Decal
21	40-7000	1	Snout ASM
21:1	20-6830	1	Flap-Rubber
21:2	20-6840-03	1	Clamp-Flap
21:3	3256-51	5	Washer-Flat
21:4	3269-22	5	Rivet-Pop
22	3230-3	3	Screw-CARR
23	32128-20	3	Nut-HF
24	105-8543-03	1	Flange-Retainer



Blower Assembly

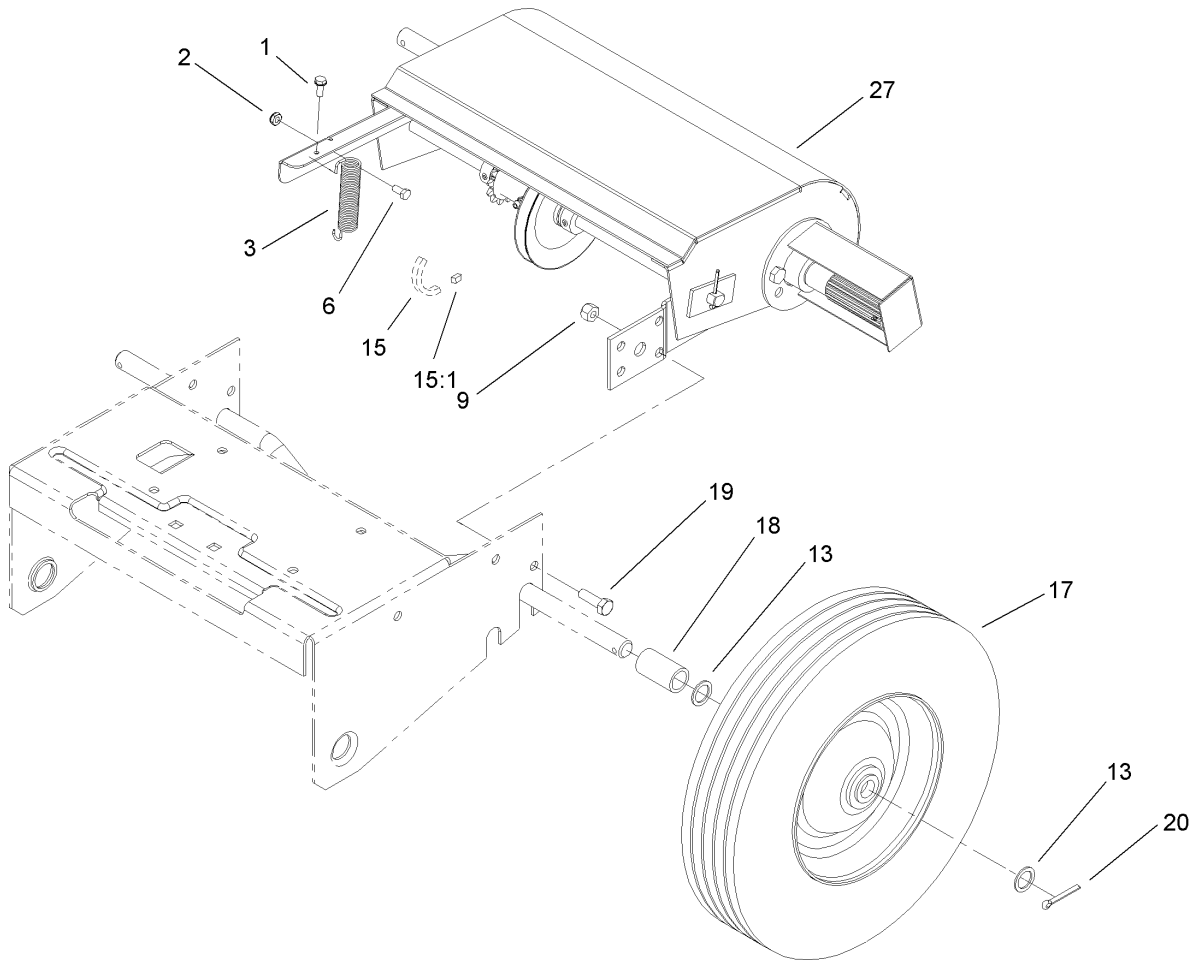
Ref	Part No.	Qty.	Description	
2	20-5780	1	Intake-Blower	
3	110-9080-01	1	Blower Exhaust ASM	
4	93-4139	2	Decal-Caution, Bag	



Engine and Front Wheel Assembly

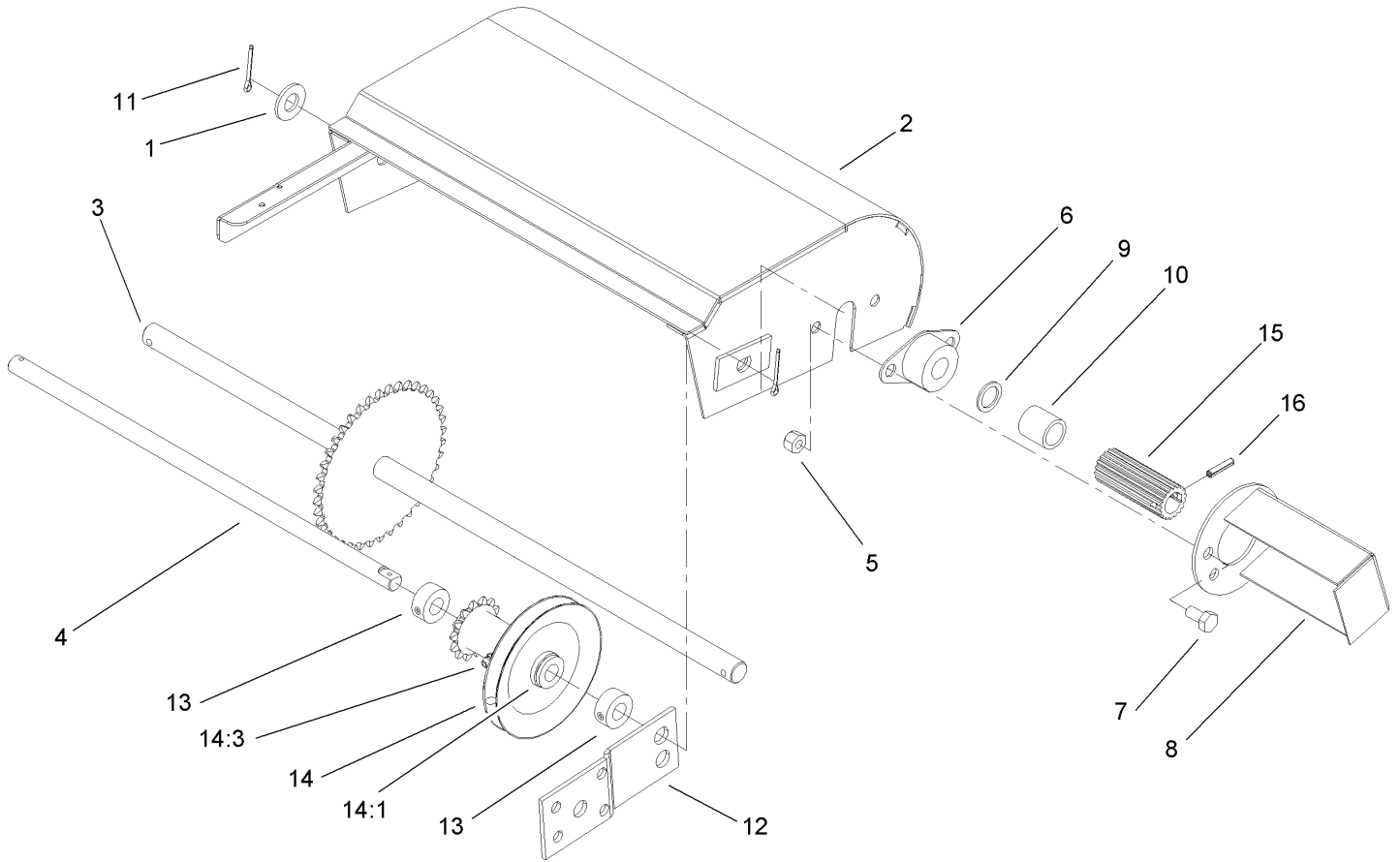
Ref	Part No.	Qty.	Description
1		1	Engine-Briggs And Stratton, 126302-0321-B8
1:2	2210-316	1	Stop-Rope
2	3253-4	4	Washer-Lock
3	3210-2	4	Screw-HH
4	20-5990	1	Belt-V
5	93-4146-03	1	Front Wheel Support ASM
6	3296-23	2	Nut-Lock, NI
7	3217-9	2	Nut-HH
8	3254-4	2	Washer-Lock/Int
9	23-3320	2	Caster
10	12-5820	1	Pulley-Idler
11	3296-29	6	Nut-Lock, NI
12	20-8690-03	1	Bracket-Idler Mount, LH
13	323-9	1	Screw-HH
14	3256-29	1	Washer-Flat
15	3272-17	1	Pin-Cotter
16	3230-1	2	Bolt-CARR
17	322-8	4	Screw-HH
18	20-8680-03	1	Bracket-Idler Mount, RH
19	3296-39	2	Nut-Lock, NI
20	12-6700	1	Pulley-Idler
21	323-8	1	Screw-HH
22	105-1232-03	1	Stabalizer Bracket ASM

Ref	Part No.	Qty.	Description
23	20-5560-03	1	Plate-Engine
25	3256-23	1	Washer-Flat



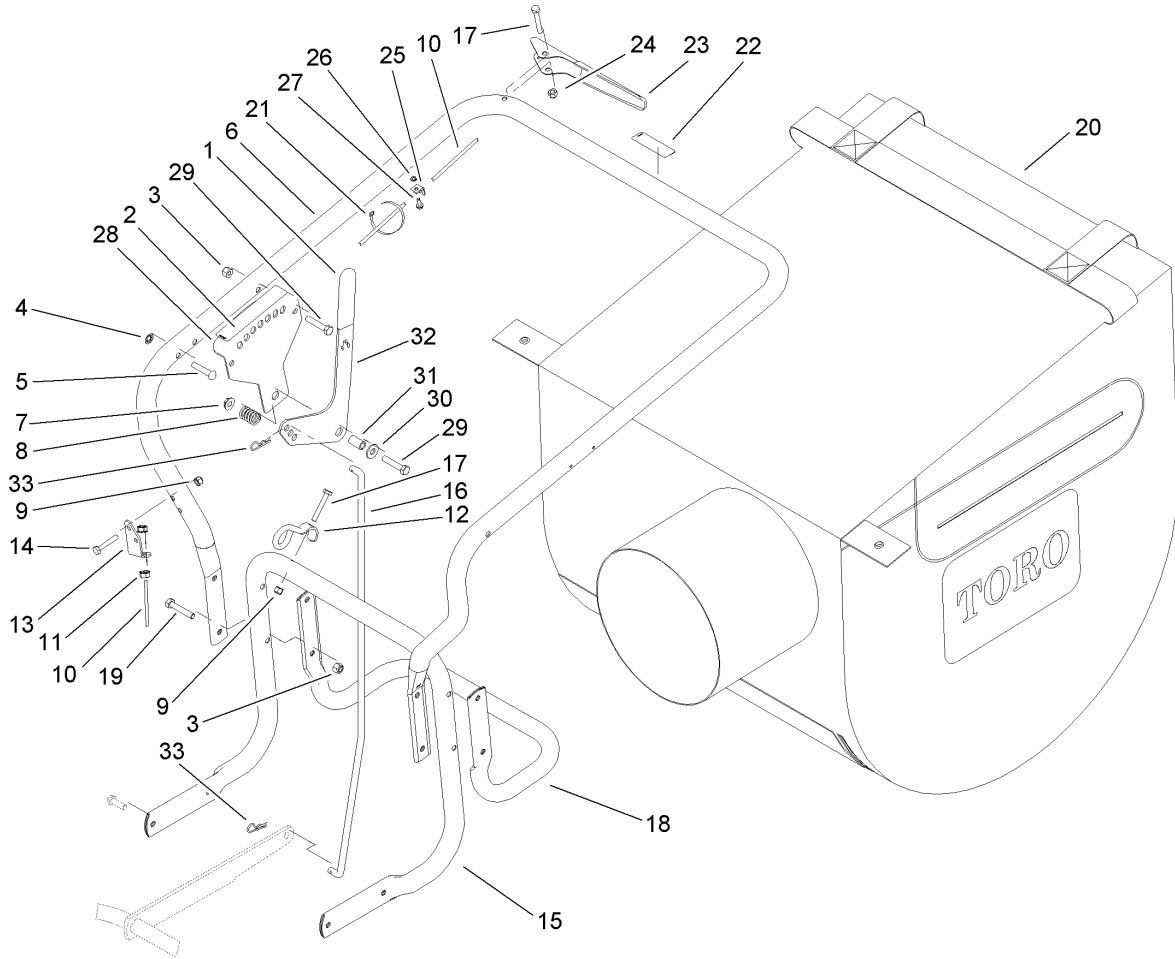
Traction and Wheel Assembly

Ref	Part No.	Qty.	Description
1	32140-32	1	Screw-HH
2	3296-27	1	Nut-Lock, NI
3	23-3520	1	Spring-Traction
6	25-8640	1	Screw-HH,
9	3296-29	6	Nut-Lock, NI
13	7-3590	7	Washer
15	3-3434	1	Chain-Roller, Reel Drive
15:1	2710-31	1	Link-Connecting, No. 35
17	20-6100	2	Wheel
18	20-5410	2	Spacer-Axle
19	322-5	6	Screw-HH
20	3272-17	2	Pin-Cotter
27		1	Traction ASM



Traction Assembly

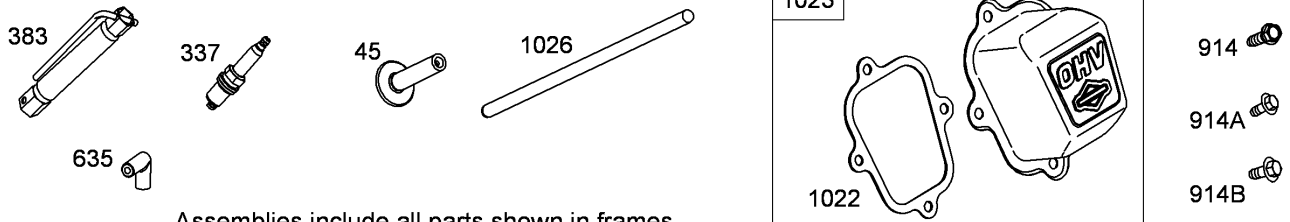
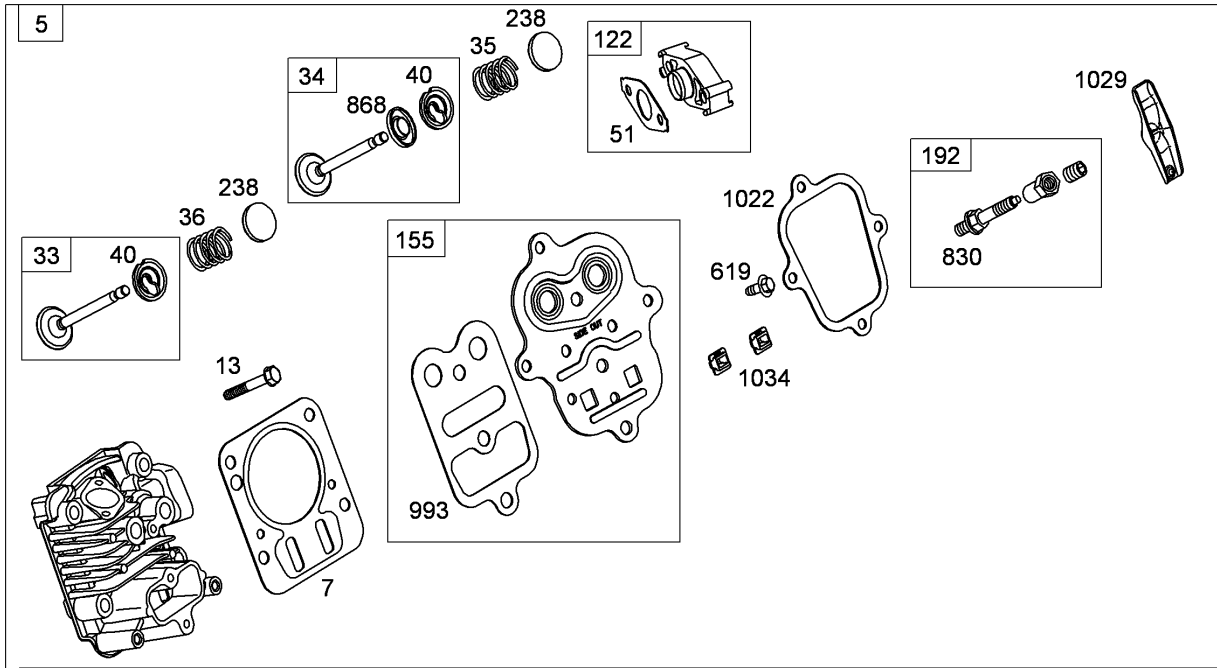
Ref	Part No.	Qty.	Description
1	3256-26	1	Washer-Flat
2	93-8461-03	1	Guard
3	20-7270	1	Shaft-Wheel, Friction
4	20-5870	1	Shaft-Idler
5	3296-29	4	Nut-Lock, NI
6	106-2780	2	Bearing-Flange
7	322-2	4	Screw-HH
8	37-9210-03	2	Guard
9	7-3590	2	Washer
10	20-5460	2	Spacer
11	3272-7	2	Pin-Cotter
12	43-6830-03	2	Bracket-Mounting
13	20-5950	2	Collar
14	20-6000	1	Idler ASM
14:1	256-105	2	Bushing-Flange
14:3	302-5	1	Fitting-Grease
15	20-5960	2	Wheel-Friction
16	32121-4	2	Pin-Roll, Slotted



Handle and Vacuum Bag Assembly

Ref	Part No.	Qty.	Description
1	3-7877	1	Grip-Handle
2	93-4137	1	Decal-Adjustment, Height
3	3296-29	6	Nut-Lock, NI
4	3290-418	2	Nut-Push In
5	3263-9	2	Rivet
6	23-3570	1	Handle-Upper, Vacuum
7	32128-13	1	Nut-HF
8	20-6110	1	Spring-Compression
9	3296-42	3	Nut-Lock, NI
10	105-1234	1	Cable-Traction
11	32149-5	2	Nut-Keps
12	46-8082	1	Guide-Rope
13	33-2830	1	Mount-Bowden, Lower
14	321-9	2	Screw-HH
15	105-1236	1	Handle-Lower
16	105-1235	1	Rod-Adjust, Height
17	321-10	2	Screw-HH
18	66-1640-03	1	Support-Bag
19	322-9	4	Screw-HH
20	105-1245	1	Bag-Vacuum
21	3290-378	1	Tie-Cable
22	93-4141	1	Decal-Control, Traction
23	93-8464	1	Lever
24	32111-7	1	Nut-Cap

Ref	Part No.	Qty.	Description
25	20-8780	1	Retaining-Clip
26	3255-17	1	Washer-Lock, EXT
27	32144-112	1	Screw-HWH
28	20-5820-03	1	Bracket-Adjustment
29	322-8	3	Screw-HH
30	3256-3	1	Washer-Flat
31	20-5650	1	Spacer
32	23-3410-03	1	Handle-Adjust, Height
33	3290-250	2	Pin-Hair

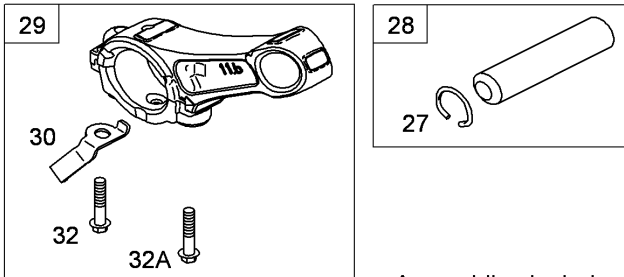
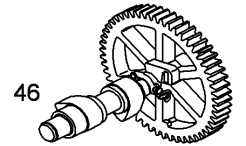
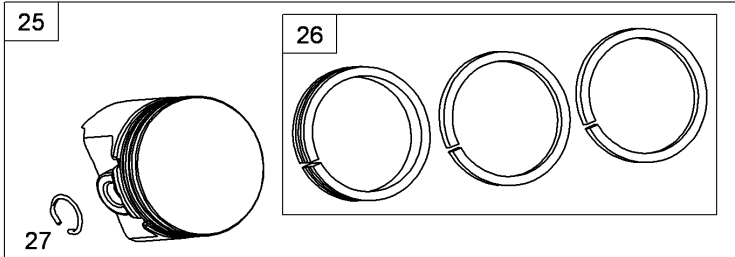
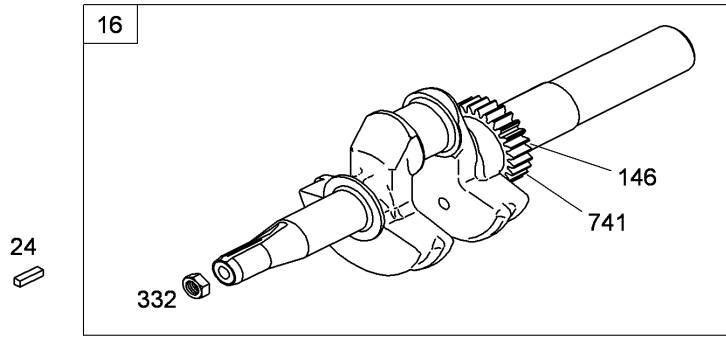


Assemblies include all parts shown in frames

Cylinder Head Assembly Briggs and Stratton 126302-0321-B8

Ref	Part No.	Qty.	Description
25	699486	1	Head-Cylinder
247	698210	1	Gasket-Head, Cylinder
6			
13	699482	1	Screw (Cylinder Head)
33	499642	1	Valve-Exhaust
34	499641	1	Valve-Intake
35	691304	1	Spring-Valve (Intake)
36	691304	1	Spring-Valve (Exhaust)
40	692194	1	Retainer-Valve
45	690977	1	Tappet-Valve
2551	692555	1	Gasket-Intake
45			
122	795643	1	Spacer-Carburetor
155	698214	1	Plate-Head, Cylinder
192	694543	1	Adjuster-Arm, Rocker
238	691300	1	Cap-Valve
337	691043	1	Spark Plug
383	19374s	1	Wrench-Spark Plug
619	699230	1	Screw (Cylinder Head Plate)
635	692076	1	Boot-Spark Plug
830	694544	1	Stud-Arm, Rocker
868	795440	1	Seal-Valve
914	699480	1	Screw (Rocker Cover) (Bottom)
914A	692557	1	Screw (Rocker Cover) (Top)

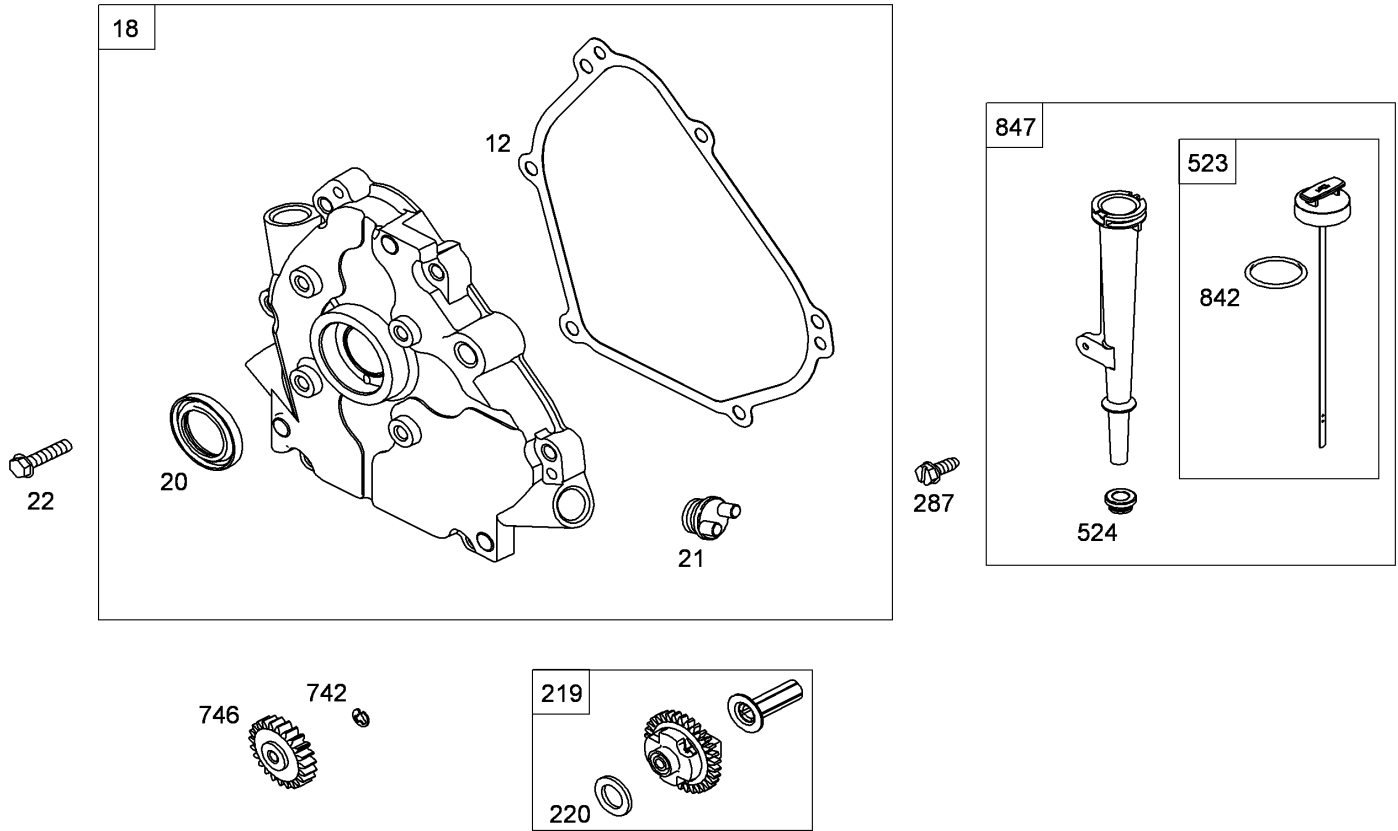
Ref	Part No.	Qty.	Description
914B	697551	1	Screw (Rocker Cover) (Center)
24993	694088	1	Gasket-Head Plate, Cylinder
6			
241022	691890	1	Gasket-Cover, Rocker
6			
1023	499924	1	Cover-Arm, Rocker
1026	790287	1	Rod-Push
1029	691230	1	Arm-Rocker
1034	691343	1	Guide-Rod, Push



Assemblies include all parts shown in frames

Crankshaft Assembly Briggs and Stratton 126302-0321-B8

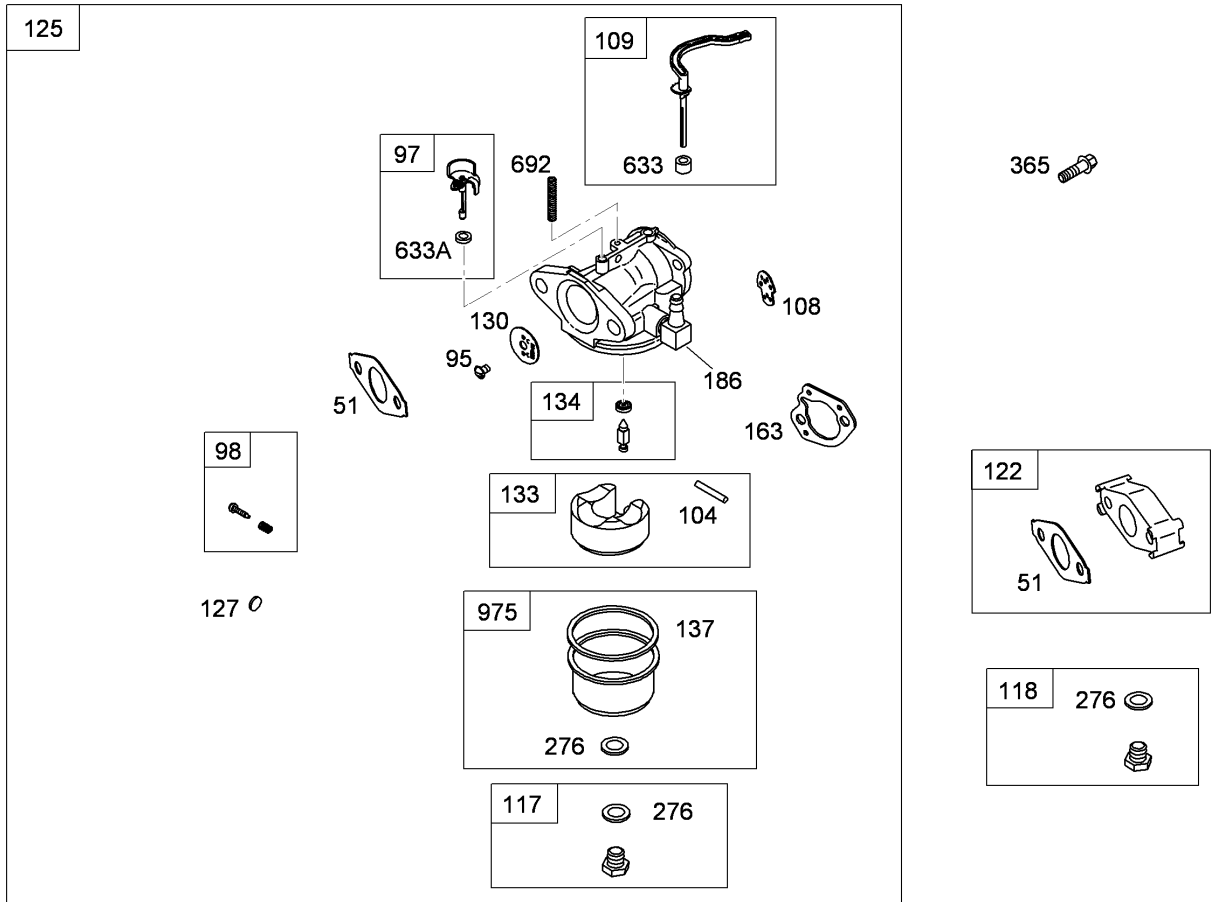
Ref	Part No.	Qty.	Description				
16	792978	1	Crankshaft				
24	222698s	1	Key-Flywheel				
25	791968	1	Piston ASM (Standard)				
25	791326	1	Piston ASM (.020 Oversize)				
26	791969	1	Ring Set (Standard)				
26	791324	1	Ring Set (.020 Oversize)				
27	691866	1	Lock-Pin, Piston				
28	499423	1	Pin-Piston				
29	690124	1	Rod-Connecting				
30	791584	1	Dipper-Connecting				
32	691664	1	Screw (Connecting Rod)				
32A	695759	1	Screw (Connecting Rod)				
46	693404	1	Camshaft				
146	690979	1	Key-Timing				
332	792723	1	Nut (Flywheel)				
741	695087	1	Gear-Timing				



Assemblies include all parts shown in frames

Crankcase Assembly Briggs and Stratton 126302-0321-B8

Ref	Part No.	Qty.	Description
212	699485	1	Gasket-Cover, Crankcase
218	699696	1	Cover-Crankcase
220	692550	1	Seal-Oil (PTO Side)
221	281658S	1	Cap-Fill, Oil
222	699478	1	Screw (Crankcase Cover)
2219	693578	1	Gear-Governor
2220	691724	1	Washer (Governor Gear)
2287	699629	1	Screw (Dipstick Tube)
2523	693618	1	Dipstick
2524	28137s	1	Seal-Tube, Dipstick
2742	692564	1	Retainer-E Ring
2746	790278	1	Gear-Idler
2842	691031	1	Seal-O Ring (Dipstick Tube)
2847	693617	1	Dipstick And Tube ASM

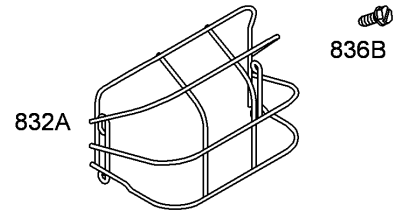
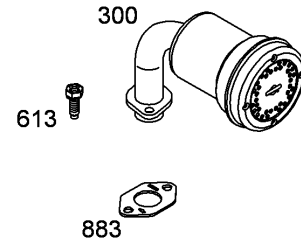
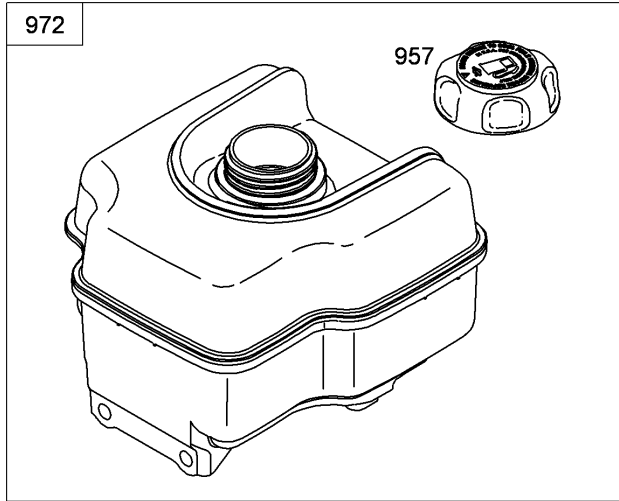
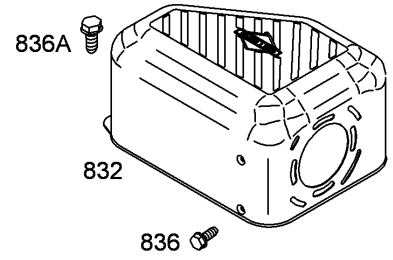
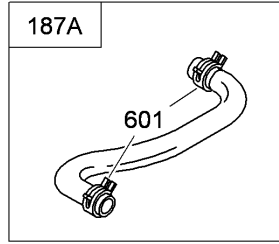
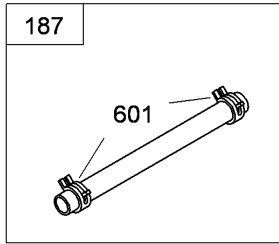


Assemblies include all parts shown in frames

Carburetor Assembly Briggs and Stratton 126302-0321-B8

Ref	Part No.	Qty.	Description
2 51 1 5	692555	1	Gasket-Intake
2 95	691636	1	Screw (Throttle Valve)
2 97	690024	1	Shaft-Throttle
2 98	398185	1	Idle Speed Kit
2 5104	691242	1	Pin-Hinge, Float
2 108	692567	1	Valve-Choke
2 109	693628	1	Shaft-Choke
2 117	697355	1	Jet-Main (Standard)
2 118	694250	1	Jet-Main (High Altitude)
2 122	795643	1	Spacer-Carburetor
2 125	697028	1	Carburetor
2 5127	691739	1	Plug-Welch
2 130	691181	1	Valve-Throttle
2 133	398187	1	Float-Carburetor
2 5134	398188	1	Needle And Seat Kit
2 5137 5	693981	1	Gasket-Bowl, Float
2 5163 1 5	792870	1	Gasket-Cleaner, Air
2 186	692317	1	Connector-Hose
2 5276 5	271716	1	Washer-Sealing
2 365	699484	1	Screw (Carburetor)

Ref	Part No.	Qty.	Description
2 5633 5	693867	1	Seal-Shaft, Choke Throttle
2 5633A 5	691321	1	Seal-Shaft, Choke Throttle
2 692	690572	1	Spring-Detent
2 975	493640	1	Bowl-Float

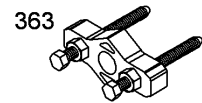
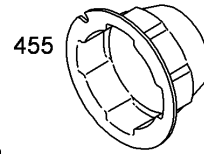
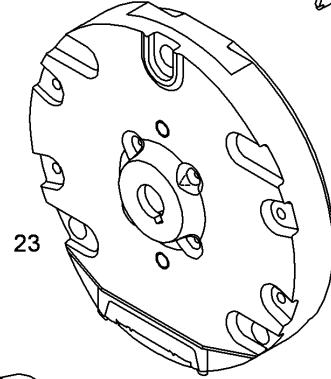
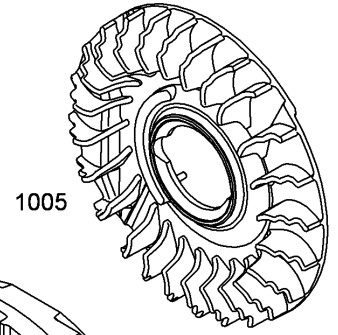
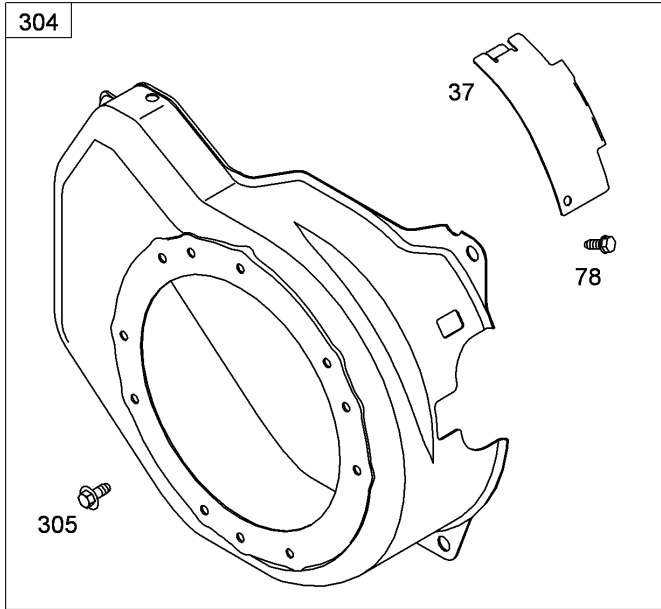


Assemblies include all parts shown in frames

Muffler and Fuel Tank Assembly Briggs and Stratton 126302-0321-B8

Ref	Part No.	Qty.	Description
② 187	791766	1	Line-Fuel (Cut To Required Length)
② 187A	791867	1	Line-Fuel (Molded)
② 190	699220	1	Screw (Fuel Tank)
② 300	693593	1	Muffler
② 601	791850	1	Clamp-Hose
② 613	791972	1	Screw (Muffler Guard)
② 832	693583	1	Guard-Muffler
② 832A	696516	1	Guard-Muffler
② 836	699203	1	Screw (Muffler Guard)
② 836A	699632	1	Screw (Muffler Guard)
② 836B	699204	1	Screw (Muffler Guard)
② ④ 883	691893	1	Gasket-Exhaust
② 957	792647	1	Cap-Tank, Fuel
② 972	694260	1	Tank-Fuel

--	--	--	--



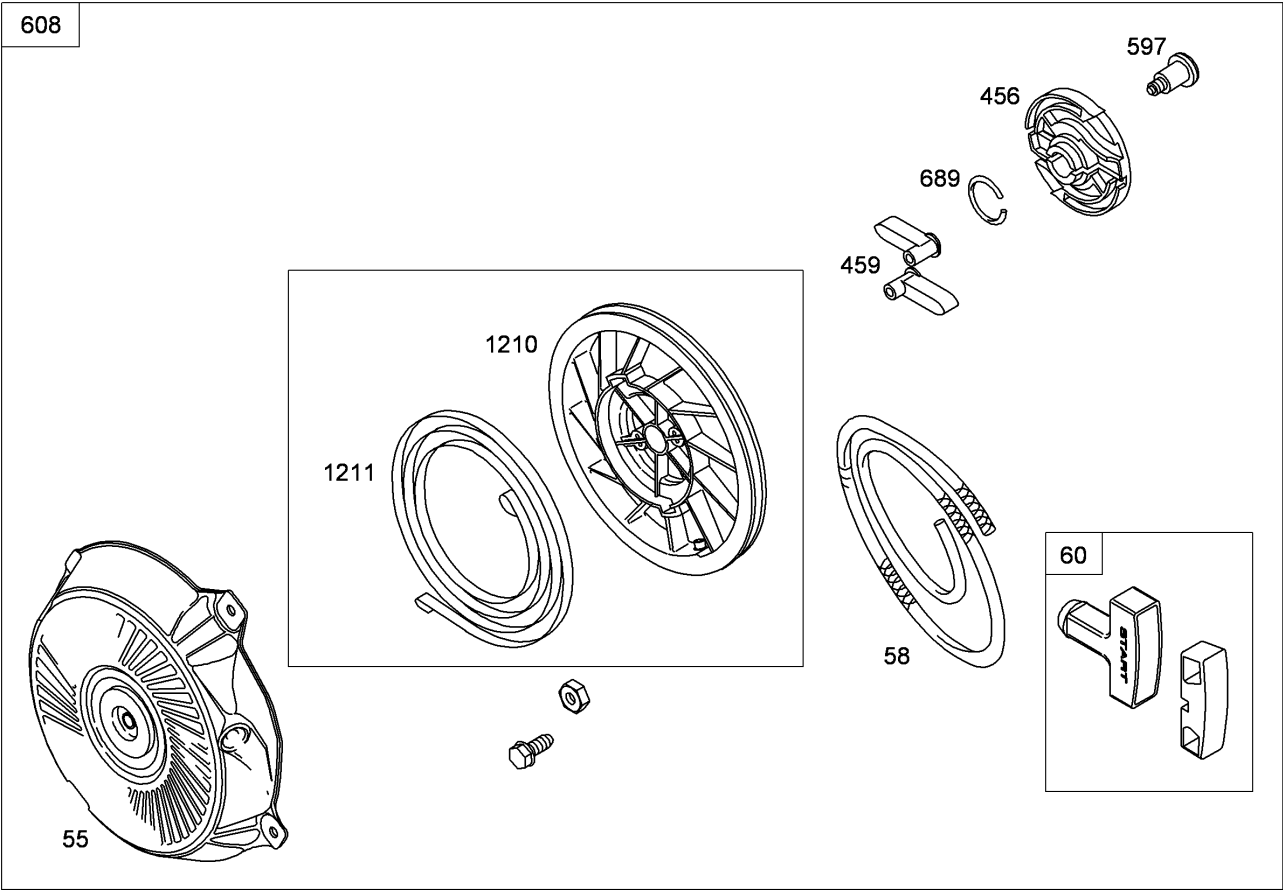
1036 Emissions Label

Assemblies include all parts shown in frames

Blower Housing Assembly Briggs and Stratton 126302-0321-B8

Ref	Part No.	Qty.	Description
23	699488	1	Flywheel
37	699661	1	Guard-Flywheel
78	699205	1	Screw (Flywheel Guard)
304	699598	1	Housing-Blower
305	699480	1	Screw (Blower Housing)
332	792723	1	Nut (Flywheel)
363	19203	1	Puller-Flywheel
455	692591	1	Cup-Flywheel
1005	794273	1	Fan-Flywheel
1036		1	Label-Emissions

--	--	--	--

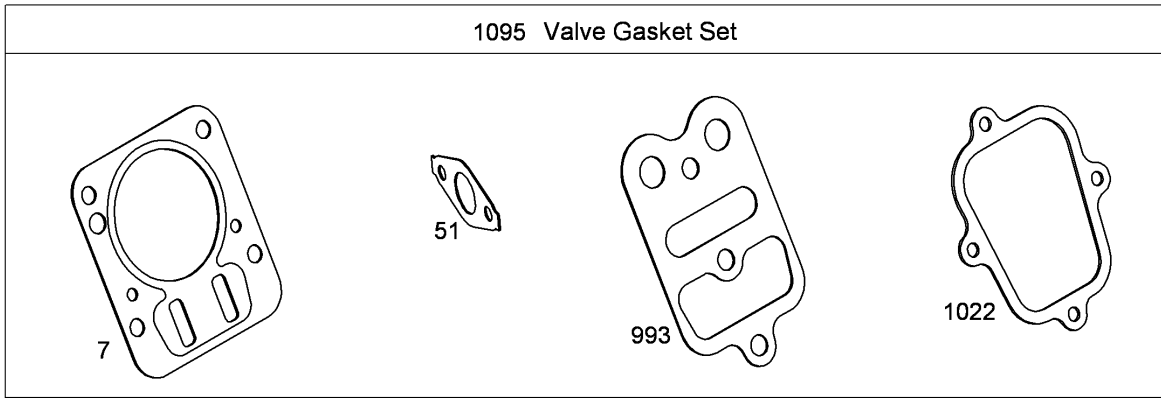
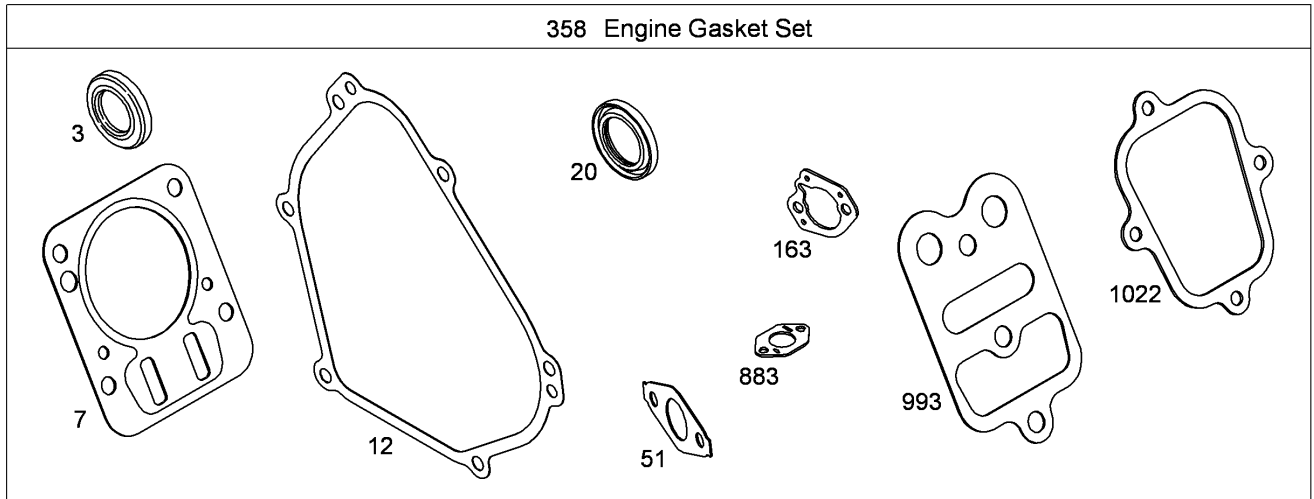


Assemblies include all parts shown in frames

Rewind Starter Assembly

Briggs and Stratton 126302-0321-B8

Ref	Part No.	Qty.	Description
55	791848	1	Housing-Starter, Rewind
58	66574	1	Rope-Starter (Cut To Required Length)
60	490652	1	Grip-Starter Rope
65	699228	1	Screw (Rewind Starter)
456	692299	1	Plate-Friction, Pawl
459	281505s	1	Ratchet-Pawl
597	691696	1	Screw (Pawl Friction Plate)
608	791670	1	Starter-Rewind
689	691855	1	Spring-Friction
1210	791849	1	Pulley And Spring ASM (Pulley)
1211	791849	1	Pulley And Spring ASM (Spring)



Assemblies include all parts shown in frames

Engine Gasket Set Briggs and Stratton 126302-0321-B8

Ref	Part No.	Qty.	Description				
243	299819s	1	Seal-Oil (Magneto Side)				
247	698210	1	Gasket-Head, Cylinder				
6							
2412	699485	1	Gasket-Cover, Crankcase				
2420	692550	1	Seal-Oil (PTO Side)				
2551	692555	1	Gasket-Intake				
45							
25163	792870	1	Gasket-Cleaner, Air				
45							
2358	791797	1	Engine Gasket Set				
24883	691893	1	Gasket-Exhaust				
24993	694088	1	Gasket-Head Plate, Cylinder				
6							
241022	691890	1	Gasket-Cover, Rocker				
6							
21095	791798	1	Valve Gasket Set				

NOTES

NOTES

NOTES

