



LX425 Lawn Tractor

Model No. 13BX60RG744 - 1A087H10172 and up.

Model No. 13BX60RG748 - 1A087H10172 and up.

Parts Catalog

Ordering Replacement Parts

To order replacement parts, please supply the part number, the quantity, and the description of each part desired.

Understanding Reference Numbers

Each identified part in an illustration has a reference number. The reference number for a part also appears in the parts list, along with other information about the part.

This catalog uses two special reference number formats, one to indicate parts in a service assembly and another to indicate the quantity of a given part in an illustration.

Service Assembly Reference Numbers

Parts in service assemblies have reference numbers in the form a:b. The a represents the reference number of the entire service assembly and the b represents a sequential number unique to each part within the service assembly.

For example, a wheel assembly might be identified by reference number 6, the tire by 6:1, the valve by 6:2, and the wheel by 6:3. When you order the assembly identified by reference number 6, you receive all parts identified by reference numbers 6:1, 6:2, and 6:3. However, you may also order any part individually. Reference numbers of this type appear in illustrations and in part lists.

Reference Numbers Indicating Quantity

In an illustration, if a reference number indicates more than one part, the reference number has the form nX y. The n represents the quantity of the part, the X is the multiplication symbol, and the y represents the reference number.

For example, in an illustration, the reference number 2X 37 means that two of the parts identified by reference number 37 are indicated.

Contents

| Description | Page | Description | Page |
|---|----------|--|----------|
| Front and Rear Wheel Assembly | 3 | Oil Pan and Lubrication Assembly Kohler SV540-0019 | 22 |
| Deck Lift Arm Assembly | 4 | Head, Valve and Breather Assembly Kohler SV540-0019 | 23 |
| Steering Shaft and Front Axle Assembly | 5 | Ignition and Electrical Assembly Kohler SV540-0019 | 24 |
| Frame and Battery Assembly | 6 | Blower Housing Assembly Kohler SV540-0019 | 25 |
| Seat and Fender Assembly | 7 | Starter Assembly Kohler SV540-0019 | 26 |
| Fuel Tank and Hood Assembly | 8 | Fuel System Assembly Kohler SV540-0019 | 27 |
| Transmission, Belt and Pulley Assembly | 10 | Engine Control Assembly Kohler SV540-0019 | 28 |
| Single Speed Transmission Assembly No. 112-0368 | 12 | Air Intake and Filtration Assembly Kohler SV540-0019 | 29 |
| Brake and Traction Pedal Assembly | 14 | Exhaust and Gasket Assembly Kohler SV540-0019 | 30 |
| PTO Engage Assembly | 15 | Attachments and Accessories List | 31 |
| Deck Assembly | 16 | | |
| Spindle Assembly No. 112-0460 | 18 | | |
| Muffler Assembly | 19 | | |
| Crankshaft Assembly Kohler SV540-0019 | 20 | | |
| Crankcase Assembly Kohler SV540-0019 | 21 | | |

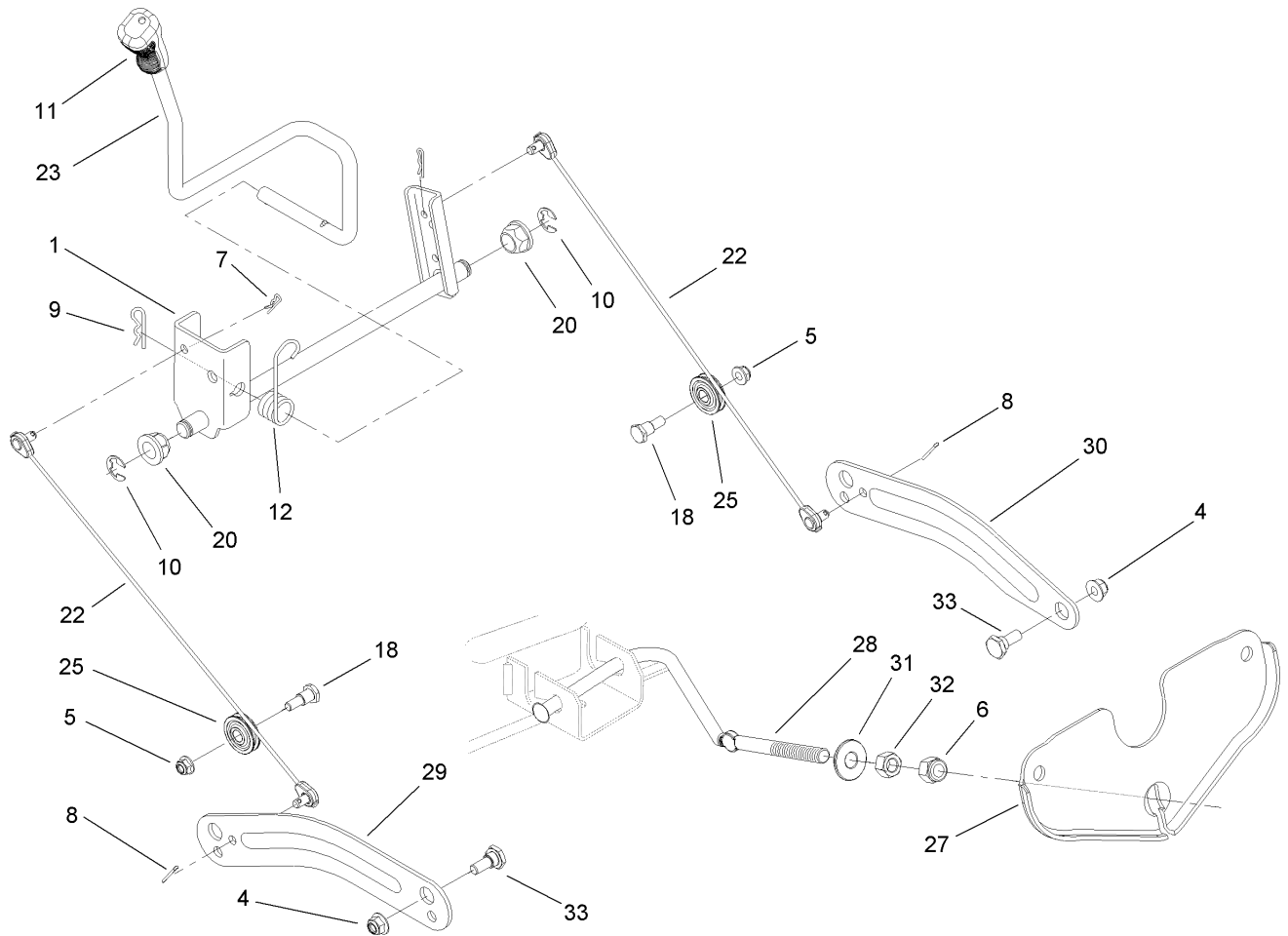
Part Description Abbreviations

Part descriptions in this catalog may include the following abbreviations.

| | |
|--|--|
| AR. as required | HYD. hydraulic |
| ASM. assembly | LH. left hand |
| BBC. blade brake clutch | NI. nylon insert |
| CARR. carriage | NPTF. national pipe thread fine |
| DEG. degrees | PFH. phillips flat head |
| EXT. external | PPH. phillips pan head |
| FH. flat head | PPHTF. phillips pan head thread forming |
| GA. gauge | PRH. phillips round head |
| HD. heavy-duty | PTH. phillips truss head |
| HF. hex flange | PTO. power-take-off |
| HH. hex head | RH. right hand |
| HHF. hex head flange | ROPS. roll-over protection system |
| HHFTF. hex head flange thread forming | SFH. slotted fillister head |
| HJ. hex jam | SHH. slotted hex head |
| HLH. hex lag head | SHWH. slotted hex washer head |
| HOC. height-of-cut | SPH. slotted pan head |
| HSBH. hex socket button head | SQH. square head |
| HSFH. hex socket flat head | SRH. slotted round head |
| HSH. hex socket head | STD. standard |
| HWH. hex washer head | TAP. self tapping |
| HWHTF. hex washer head thread forming | TTH. torx truss head |

Footnotes

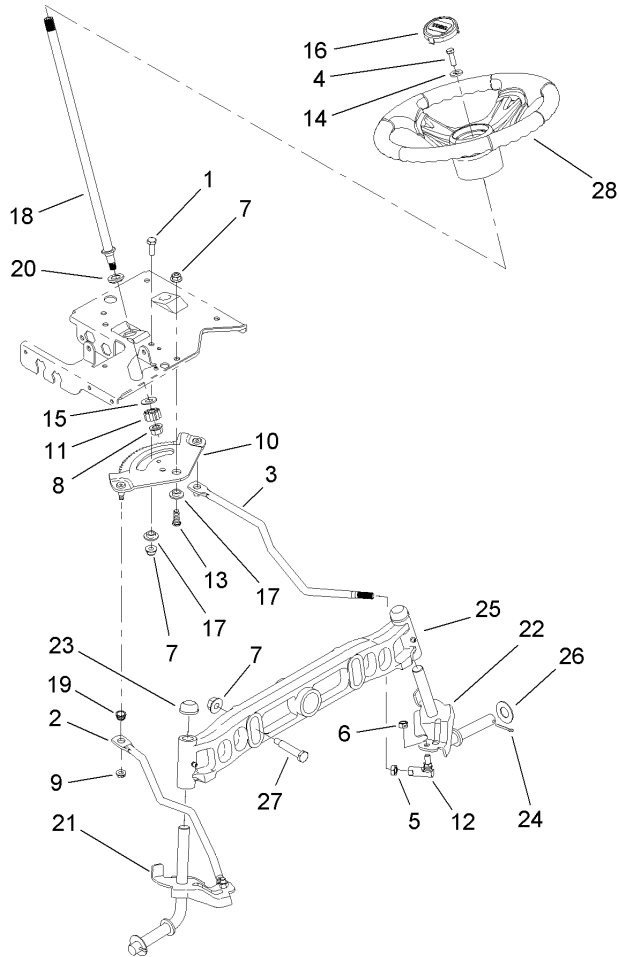
- | | |
|--|--|
| <p>❶ Not illustrated</p> <p>❷ Obtain from your local Kohler dealer</p> | <p>❸ Not serviced separately</p> <p>❹ Obtain from your local Toro dealer</p> |
|--|--|



Deck Lift Arm Assembly

| Ref | Part No. | Qty. | Description |
|-----|----------|------|----------------------------|
| 1 | 112-5969 | 1 | Lift Shaft ASM |
| 4 | 112-0668 | 1 | Nut-Lock, Flange |
| 5 | 112-0650 | 1 | Nut-Lock, Flange |
| 6 | 112-0476 | 1 | Nut-Lock, Hex (Nylon) |
| 7 | 112-0459 | 1 | Pin-Cotter |
| 8 | 112-0568 | 1 | Pin-Cotter |
| 9 | 112-0394 | 1 | Pin-Hair |
| 10 | 112-0586 | 1 | Ring-E |
| 11 | 112-0585 | 1 | Grip-Handle |
| 12 | 112-0477 | 1 | Spring-Torsion |
| 18 | 112-0443 | 1 | Bolt-Shoulder |
| 20 | 112-0347 | 1 | Bearing-Flange |
| 22 | 112-0374 | 1 | Cable-Lift |
| 23 | 112-5970 | 1 | Handle-Lift |
| 25 | 112-0502 | 1 | Pulley-Roller |
| 27 | 112-0704 | 1 | Bracket-Hanger, Deck |
| 28 | 112-0607 | 1 | Rod-Deck, Front Adjustment |
| 29 | 112-0690 | 1 | Arm-Lift, Deck (RH) |
| 30 | 112-0719 | 1 | Arm-Lift, Deck (LH) |
| 31 | 112-0641 | 1 | Cup-Pivot, Lift |
| 32 | 112-0458 | 1 | Nut-Hex |
| 33 | 112-0669 | 1 | Bolt-Shoulder |

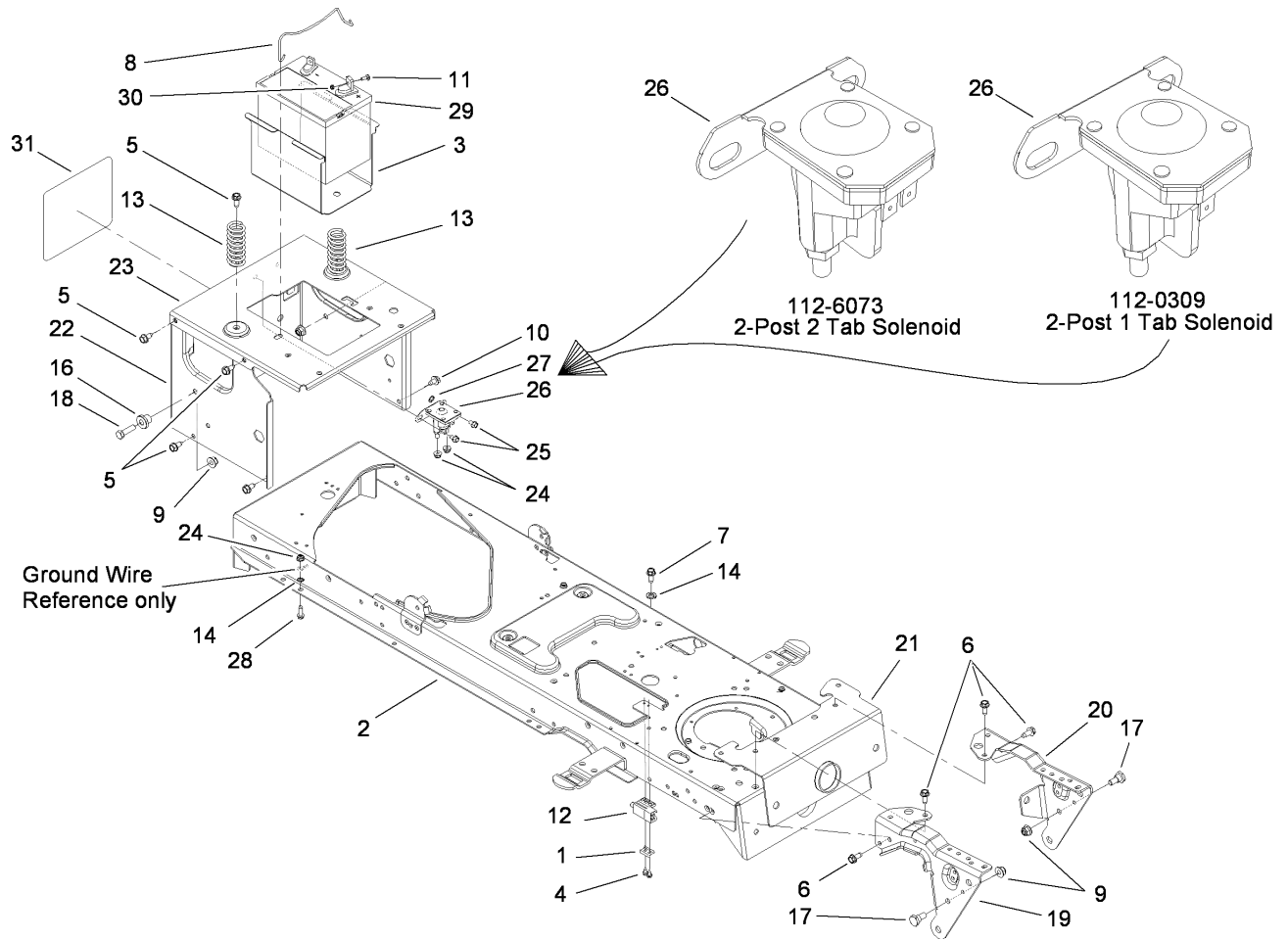
| | | | |
|--|--|--|--|
| | | | |
| | | | |
| | | | |
| | | | |



Steering Shaft and Front Axle Assembly

| Ref | Part No. | Qty. | Description |
|-----|----------|------|-----------------------|
| 1 | 112-0492 | 1 | Screw-HH |
| 2 | 112-0355 | 1 | Link-Drag, RH |
| 3 | 112-0346 | 1 | Link-Drag, LH |
| 4 | 112-0473 | 1 | Screw-HH |
| 5 | 112-0493 | 1 | Nut-Jam |
| 6 | 112-0483 | 1 | Nut-Hex, Lock |
| 7 | 112-0668 | 1 | Nut-Lock, Flange |
| 8 | 112-0859 | 1 | Nut-Lock, Flange |
| 9 | 112-0511 | 1 | Nut-Lock, Flange |
| 10 | 112-0862 | 1 | Gear-Steering |
| 11 | 112-0863 | 1 | Gear-Pinion, Steering |
| 12 | 112-0917 | 1 | Ball Joint ASM |
| 13 | 112-0631 | 1 | Screw-HH |
| 14 | 112-0924 | 1 | Washer-Flat |
| 15 | 112-0925 | 1 | Washer-Flat |
| 16 | 112-3734 | 1 | Cap-Wheel, Steering |
| 17 | 112-0881 | 1 | Spacer-Shoulder |
| 18 | 112-5804 | 1 | Shaft-Steering |
| 19 | 112-0929 | 1 | Bushing |
| 20 | 112-0930 | 1 | Bearing-Flange, Hex |
| 21 | 112-0547 | 1 | RH Axle ASM |
| 22 | 112-0562 | 1 | LH Axle ASM |
| 23 | 112-0323 | 1 | Cap |
| 24 | 112-0519 | 1 | Pin-Cotter |

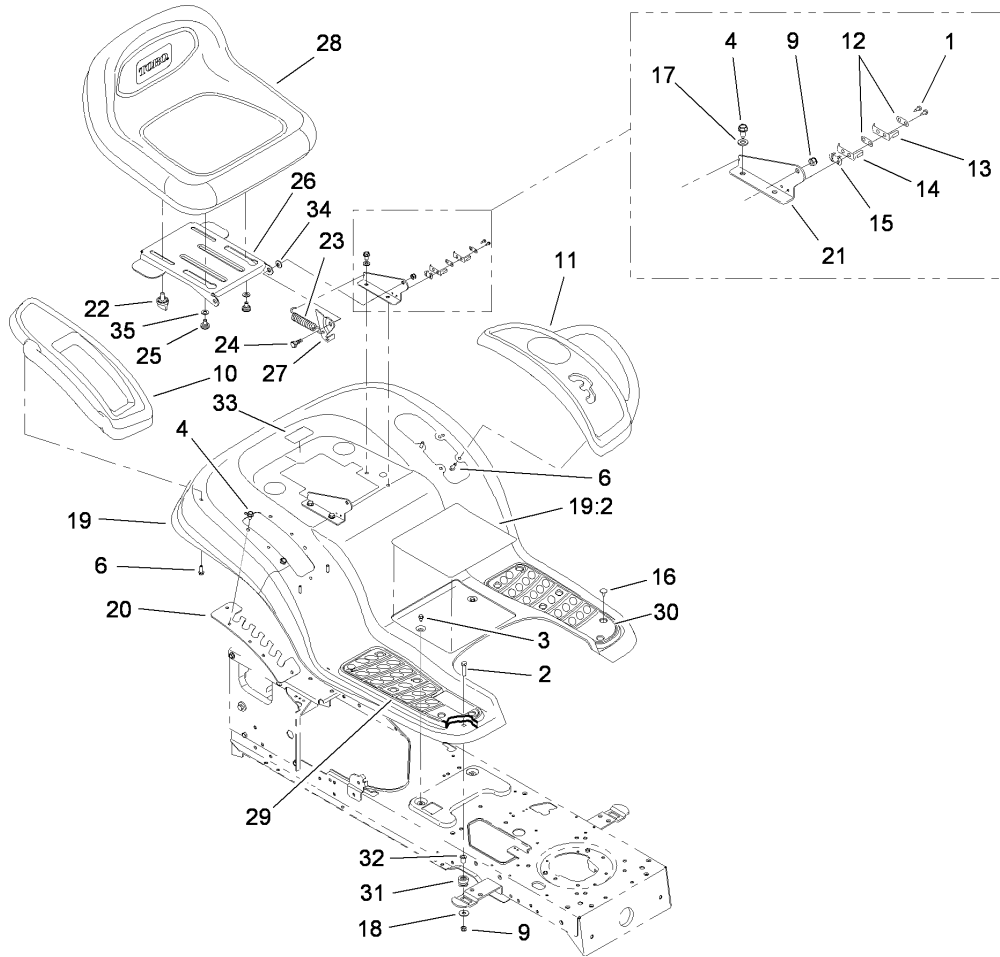
| Ref | Part No. | Qty. | Description |
|-----|----------|------|--------------------------|
| 25 | 112-5971 | 1 | Axle-Pivot, Front |
| 26 | 112-5972 | 1 | Washer-Flat |
| 27 | 112-0486 | 1 | Bolt-Shoulder |
| 28 | 112-5973 | 1 | Wheel-Steering, Softgrip |



Frame and Battery Assembly

| Ref | Part No. | Qty. | Description |
|-----|----------|------|------------------------|
| 1 | 112-0671 | 1 | Plate-Switch |
| 2 | 112-5974 | 1 | Lower Frame ASM |
| 3 | 112-0570 | 1 | Tray-Battery |
| 4 | 112-0651 | 1 | Screw-HH, TAP |
| 5 | 112-5975 | 1 | Screw-HH, TAP |
| 6 | 112-0395 | 1 | Screw-HWH |
| 7 | 112-0659 | 1 | Screw-HWH |
| 8 | 112-0581 | 1 | Rod-Holddown, Battery |
| 9 | 112-0668 | 1 | Nut-Lock, Flange |
| 10 | 112-0676 | 1 | Screw-TAP |
| 11 | 112-5976 | 1 | Screw-HHF |
| 12 | 112-0455 | 1 | Switch-Interlock |
| 13 | 112-0501 | 1 | Spring-Compression |
| 14 | 112-0703 | 1 | Washer-Lock, External |
| 16 | 112-0661 | 1 | Spacer-Shoulder |
| 17 | 112-0565 | 1 | Bolt-Shoulder |
| 18 | 112-0557 | 1 | Screw-HH |
| 19 | 112-0620 | 1 | Bracket-Pivot, Support |
| 20 | 112-0610 | 1 | Bracket-Pivot, Support |
| 21 | 112-5977 | 1 | Bracket-Pivot, Bar |
| 22 | 112-0728 | 1 | Frame-Upper |
| 23 | 112-0647 | 1 | Bracket-Frame, Seat |
| 24 | 112-0636 | 1 | Nut-Lock, Flange |
| 25 | 112-0524 | 1 | Screw-HWHTF |

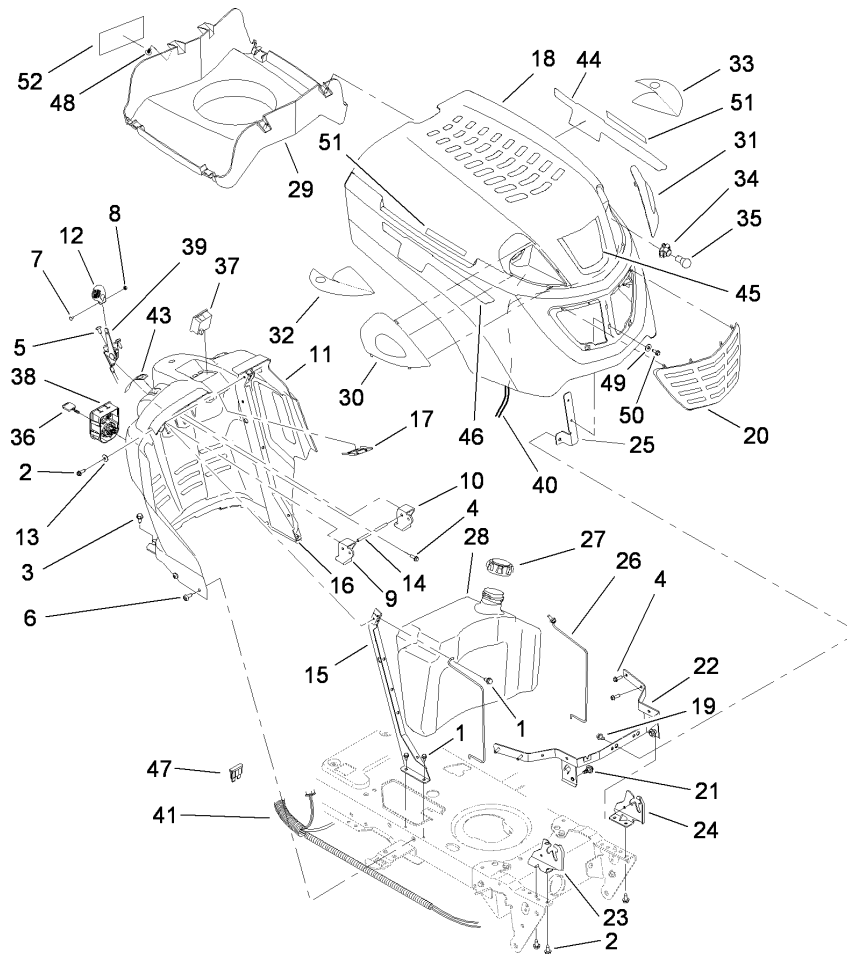
| Ref | Part No. | Qty. | Description |
|-----|----------|------|---------------------------------|
| 26 | 112-0309 | 1 | Solenoid-12V, 2 Post 1 Tab |
| 26 | 112-6073 | 1 | Solenoid-12V, 2 Post 2 Tab |
| 27 | 112-0703 | 1 | Washer-Lock, External |
| 28 | 112-0587 | 1 | Screw-HH, TAP |
| 29 | 112-0425 | 1 | Battery-245, Cca (Dry Flat Top) |
| 30 | 112-5978 | 1 | Nut-Sems |
| 31 | 112-1284 | 1 | Decal-Toro |



Seat and Fender Assembly

| Ref | Part No. | Qty. | Description |
|------|----------|------|-------------------------|
| 1 | 112-0626 | 1 | Screw-HWHTF |
| 2 | 112-0373 | 1 | Screw-HH |
| 3 | 112-0524 | 1 | Screw-HWHTF |
| 4 | 112-0556 | 1 | Screw-HWH |
| 6 | 112-0509 | 1 | Screw-HH, TAP |
| 9 | 112-0650 | 1 | Nut-Lock, Flange |
| 10 | 112-0471 | 1 | Cover-Fender, RH |
| 11 | 112-0470 | 1 | Cover-Fender, LH |
| 12 | 112-0635 | 1 | Plate-Insulator |
| 13 | 112-0529 | 1 | Switch-Spring |
| 14 | 112-0532 | 1 | Switch-Spring, Inner |
| 15 | 112-0637 | 1 | Plate-Boss, Insulator |
| 16 | 112-0549 | 1 | Clip-Ratchet, Fastener |
| 17 | 112-0517 | 1 | Washer-Lock, External |
| 18 | 112-0582 | 1 | Washer-Flat |
| 19 | 112-5855 | 1 | Fender And Decal ASM |
| 19:2 | 112-1262 | 1 | Decal-Danger |
| 20 | 112-0629 | 1 | Bracket-Adjusting, Lift |
| 21 | 112-0905 | 1 | Bracket-Mount, Seat |
| 22 | 112-0409 | 1 | Knob |
| 23 | 112-0616 | 1 | Spring-Extension |
| 24 | 112-0575 | 1 | Bolt-Shoulder |
| 25 | 112-0554 | 1 | Bolt-Shoulder |
| 26 | 112-0593 | 1 | Bracket-Seat |

| Ref | Part No. | Qty. | Description |
|-----|----------|------|------------------------------|
| 27 | 112-0646 | 1 | Bracket-Lift, LH |
| 28 | 112-0363 | 1 | Seat-Back, Medium |
| 29 | 112-0540 | 1 | Pad-Foot, RH |
| 30 | 112-0545 | 1 | Pad-Foot, LH |
| 31 | 112-3732 | 1 | Grommet |
| 32 | 112-3733 | 1 | Spacer |
| 33 | 112-1260 | 1 | Decal-Service (Toro Hotline) |
| 34 | 112-5979 | 1 | Washer-Bell |
| 35 | 112-5980 | 1 | Washer-Flat |

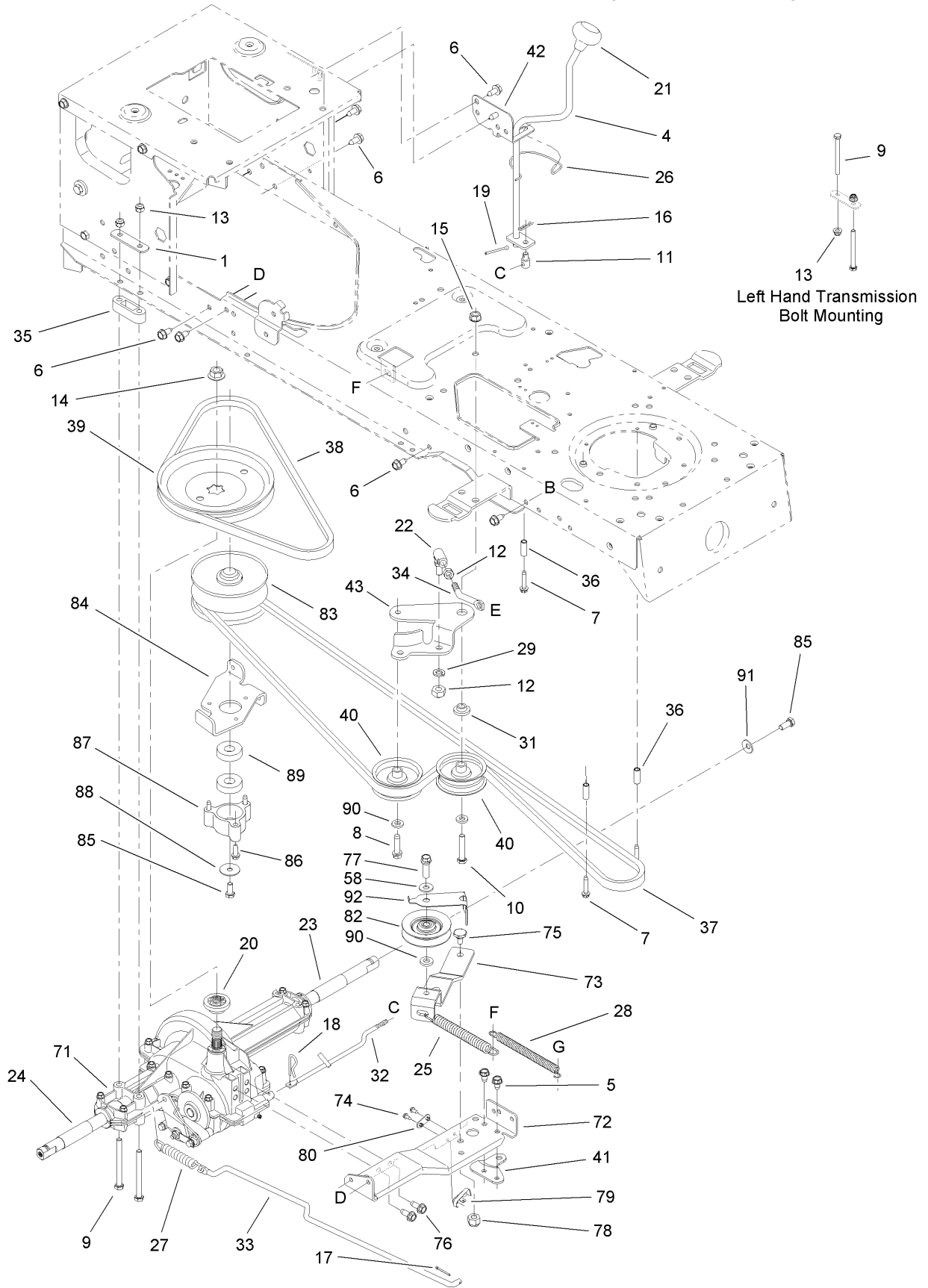


Fuel Tank and Hood Assembly

| Ref | Part No. | Qty. | Description |
|-----|----------|------|--------------------------|
| 1 | 112-0524 | 1 | Screw-HWHTF |
| 2 | 112-0587 | 1 | Screw-HH, TAP |
| 3 | 112-5981 | 1 | Screw-HH, TAP |
| 4 | 112-0509 | 1 | Screw-HH, TAP |
| 5 | 112-0550 | 1 | Screw-TAP |
| 6 | 112-0563 | 1 | Screw-TAP |
| 7 | 112-0478 | 1 | Screw-PTH |
| 8 | 112-0515 | 1 | Nut-Hex |
| 9 | 112-0526 | 1 | Lever-Cruise |
| 10 | 112-0580 | 1 | Lever-Brake |
| 11 | 112-5982 | 1 | Dash |
| 12 | 112-0474 | 1 | Knob-Control |
| 13 | 112-0485 | 1 | Washer-Spring |
| 14 | 112-0604 | 1 | Rod-Lever, Bent |
| 15 | 112-5983 | 1 | Support-Dash, RH |
| 16 | 112-5984 | 1 | Support-Dash, LH |
| 17 | 112-5809 | 1 | Bracket-PTO |
| 18 | 112-0444 | 1 | Hood |
| 19 | 112-0906 | 1 | Screw-HWHTF |
| 20 | 112-0381 | 1 | Grill |
| 21 | 112-0597 | 1 | Bolt-Shoulder |
| 22 | 112-5985 | 1 | Bracket-Pivot |
| 23 | 112-0727 | 1 | Bracket-Pivot, Hood (RH) |
| 24 | 112-0726 | 1 | Bracket-Pivot, Hood (LH) |

| Ref | Part No. | Qty. | Description |
|-----|----------|------|---------------------------------------|
| 25 | 112-5986 | 1 | Bracket-Support, Hood |
| 26 | 112-0678 | 1 | Rod-Support |
| 27 | 112-0321 | 1 | Cap-Fuel |
| 28 | 112-5987 | 1 | Fuel-Tank, 3 Gallon |
| 29 | 112-5802 | 1 | Plenum-Hood |
| 30 | 112-0447 | 1 | Lens-RH |
| 31 | 112-0446 | 1 | Lens-LH |
| 32 | 112-5810 | 1 | Reflector-RH |
| 33 | 112-5811 | 1 | Reflector-LH |
| 34 | 112-0408 | 1 | Socket-Headlight |
| 35 | 112-0402 | 1 | Lamp-12V, Miniature |
| 36 | 112-0312 | 1 | Key-Ignition |
| 37 | 112-0336 | 1 | Meter-Indicator, Systems |
| 38 | 112-0865 | 1 | Module-Switch, Ignition |
| 39 | 112-0489 | 1 | Cable-Throttle And Choke |
| 40 | 112-0480 | 1 | Harness-Headlight |
| 41 | 112-0595 | 1 | Harness-Wire, 2 Post 1 Tab (Solenoid) |
| 41 | 112-6074 | 1 | Harness-Wire, 2 Post 2 Tab (Solenoid) |
| 43 | 112-1271 | 1 | Decal-Throttle, Dash |
| 44 | 112-5952 | 1 | Decal-Hood, Left Side |
| 45 | 112-3716 | 1 | Decal-Hood |
| 46 | 112-5953 | 1 | Decal-Hood, Right Side |

Transmission, Belt and Pulley Assembly

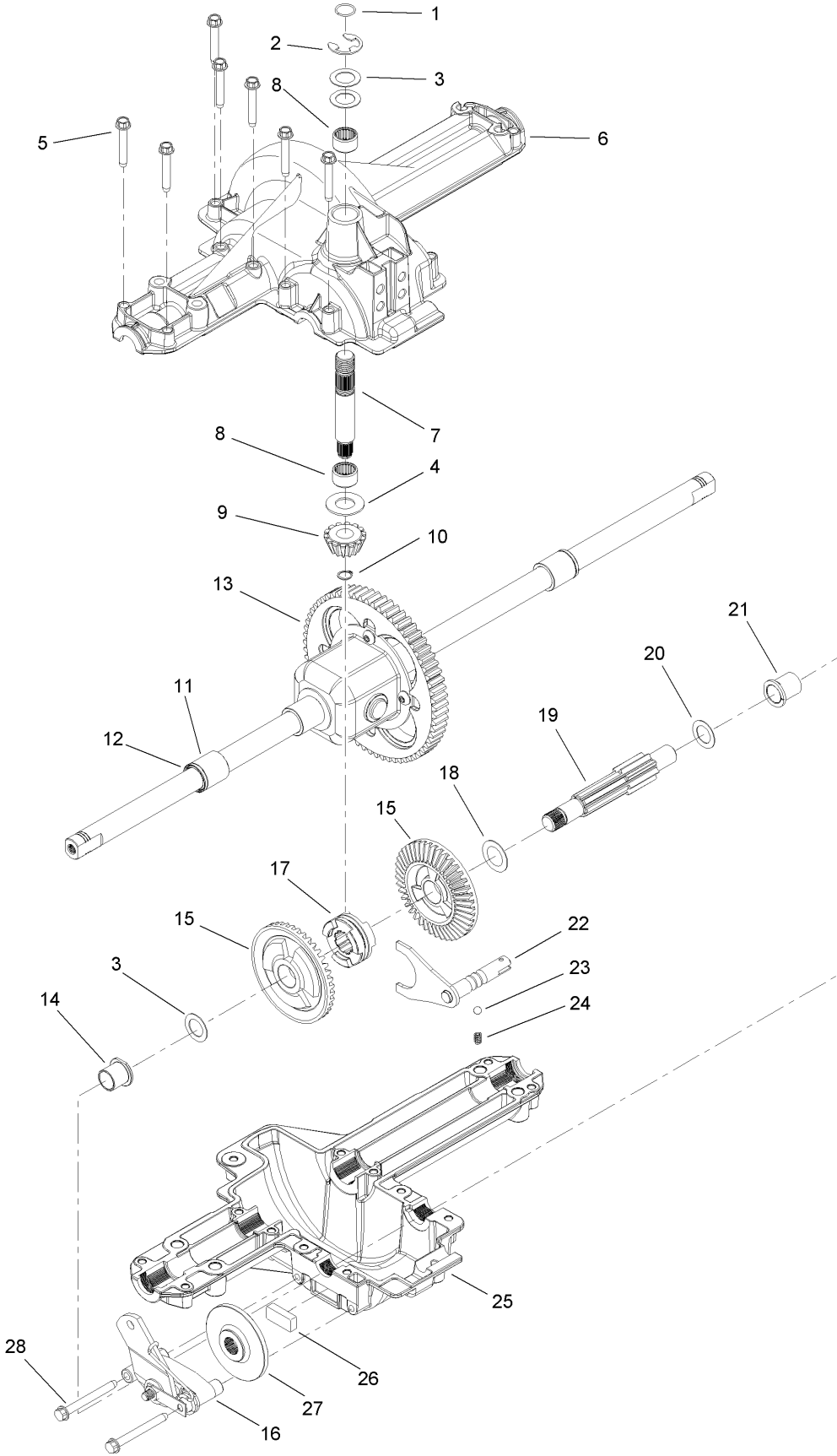


Transmission, Belt and Pulley Assembly

| Ref | Part No. | Qty. | Description |
|-----|----------|------|--------------------------------|
| 1 | 112-0628 | 1 | Bracket-Mounting, Transmission |
| 4 | 112-0627 | 1 | Shift Lever ASM |
| 5 | 112-0676 | 1 | Screw-TAP |
| 6 | 112-5975 | 1 | Screw-HH, TAP |
| 7 | 112-0603 | 1 | Screw-HH |
| 8 | 112-0469 | 1 | Screw-HH, TAP |
| 9 | 112-0667 | 1 | Screw-HH |
| 10 | 112-0421 | 1 | Screw-HH |
| 11 | 112-0592 | 1 | Ferrule-Adj |
| 12 | 112-0343 | 1 | Nut-Hex |
| 13 | 112-0650 | 1 | Nut-Lock, Flange |
| 14 | 112-0451 | 1 | Nut-Flange |
| 15 | 112-0385 | 1 | Nut-Lock, Flange |
| 16 | 112-0459 | 1 | Pin-Cotter |
| 17 | 112-0568 | 1 | Pin-Cotter |
| 18 | 112-0639 | 1 | Pin-Hair |
| 19 | 112-0412 | 1 | Pin-Cotter |
| 20 | 112-0450 | 1 | Hub-Pulley |
| 21 | 112-0514 | 1 | Knob-Shift |
| 22 | 112-0306 | 1 | Ball Joint ASM |
| 23 | 112-0670 | 1 | Sleeve |
| 24 | 112-0683 | 1 | Sleeve |
| 25 | 112-5991 | 1 | Spring-Extension |
| 26 | 112-0357 | 1 | Clip-Spring, Shifter |
| 27 | 112-0350 | 1 | Spring-Extension |
| 28 | 112-0348 | 1 | Spring-Extension |
| 29 | 112-0415 | 1 | Washer-Lock |
| 31 | 112-0345 | 1 | Spacer-Shoulder |
| 32 | 112-5992 | 1 | Rod-Shift |
| 33 | 112-0655 | 1 | Rod-Brake |
| 34 | 112-0538 | 1 | Rod-Adjustment, Idler |
| 35 | 112-0673 | 1 | Spacer-Transaxle |
| 36 | 112-0644 | 1 | Spacer |
| 37 | 112-0301 | 1 | Belt-Drive, Variable Speed |
| 38 | 112-0305 | 1 | Belt-Drive, Transmission |
| 39 | 112-0379 | 1 | Pulley-V (W/Hub) |
| 40 | 112-3687 | 1 | Pulley-Idler, Flat |
| 41 | 112-5813 | 1 | Bracket-Shift |
| 42 | 112-0638 | 1 | Bracket-Shift |
| 43 | 112-0525 | 1 | Bracket-Idler, Center Double |
| 58 | 112-0541 | 1 | Washer-Flat |
| 71 | 112-0368 | 1 | Single Speed Transmission ASM |
| 72 | 112-0552 | 1 | Bracket-Torque |
| 73 | 112-0434 | 1 | Bracket-Idler |
| 74 | 112-0626 | 1 | Screw-HWHTF |
| 75 | 112-5993 | 1 | Screw-HH |
| 76 | 112-0556 | 1 | Screw-HWH |
| 77 | 112-0469 | 1 | Screw-HH, TAP |
| 78 | 112-5994 | 1 | Nut-Lock, Hex |
| 79 | 112-0602 | 1 | Switch-Spring, Short |
| 80 | 112-0625 | 1 | Plate-Insulator |
| 82 | 112-0892 | 1 | Pulley-Idler, V-Type |

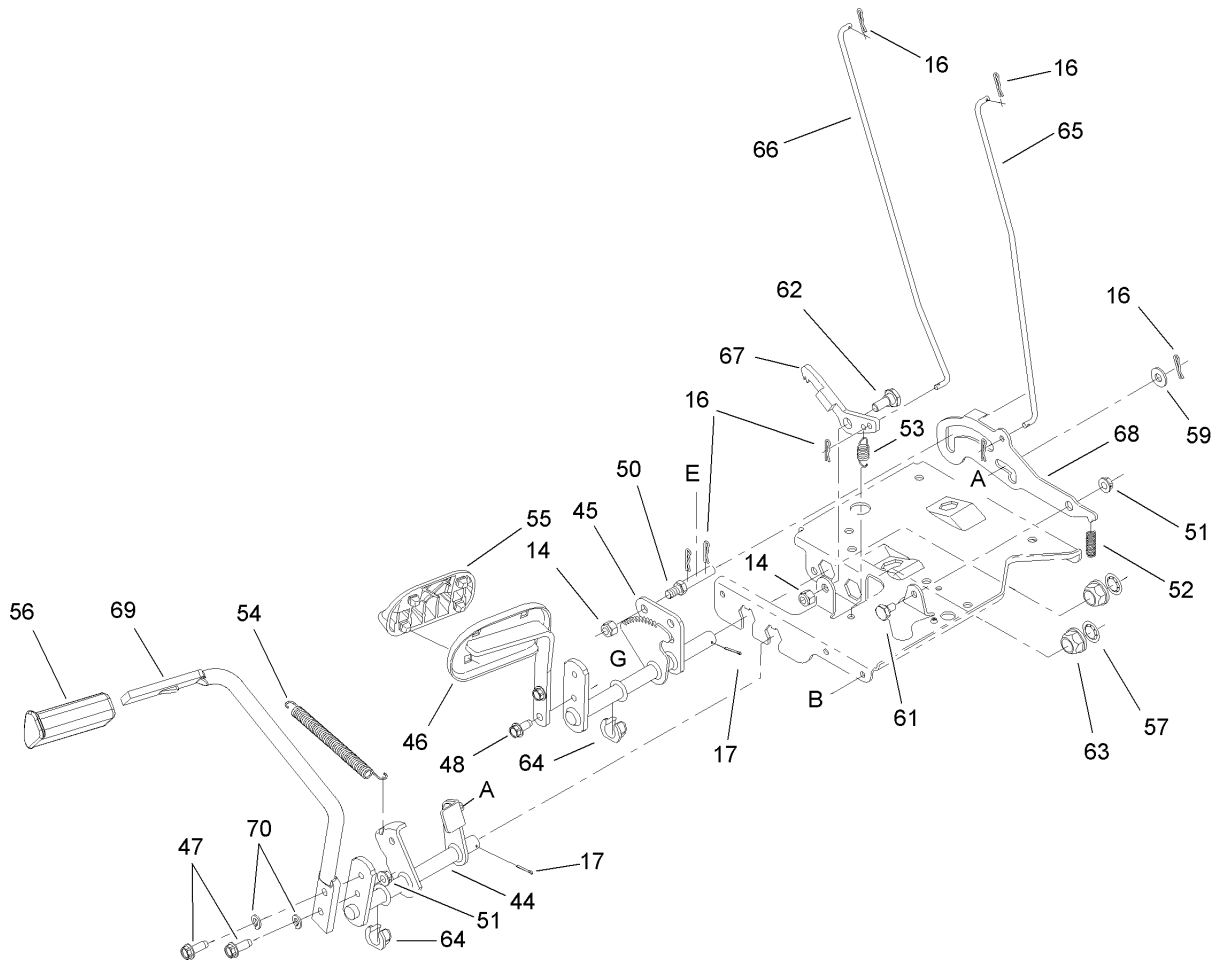
| Ref | Part No. | Qty. | Description |
|-----|----------|------|---------------------------|
| 83 | 112-0364 | 1 | Variable Speed Pulley ASM |
| 84 | 112-5995 | 1 | Bracket-Pulley |
| 85 | 112-0551 | 1 | Screw-HH |
| 86 | 112-0587 | 1 | Screw-HH, TAP |
| 87 | 112-5996 | 1 | Cup-Bearing |
| 88 | 112-0500 | 1 | Washer-Flat |
| 89 | 112-0423 | 1 | Bearing-Ball |
| 90 | 112-0544 | 1 | Washer-Flat |
| 91 | 112-0435 | 1 | Washer-Bell |
| 92 | 112-5883 | 1 | Guide-Belt, Traction |

Single Speed Transmission Assembly No. 112-0368



Single Speed Transmission Assembly No. 112-0368

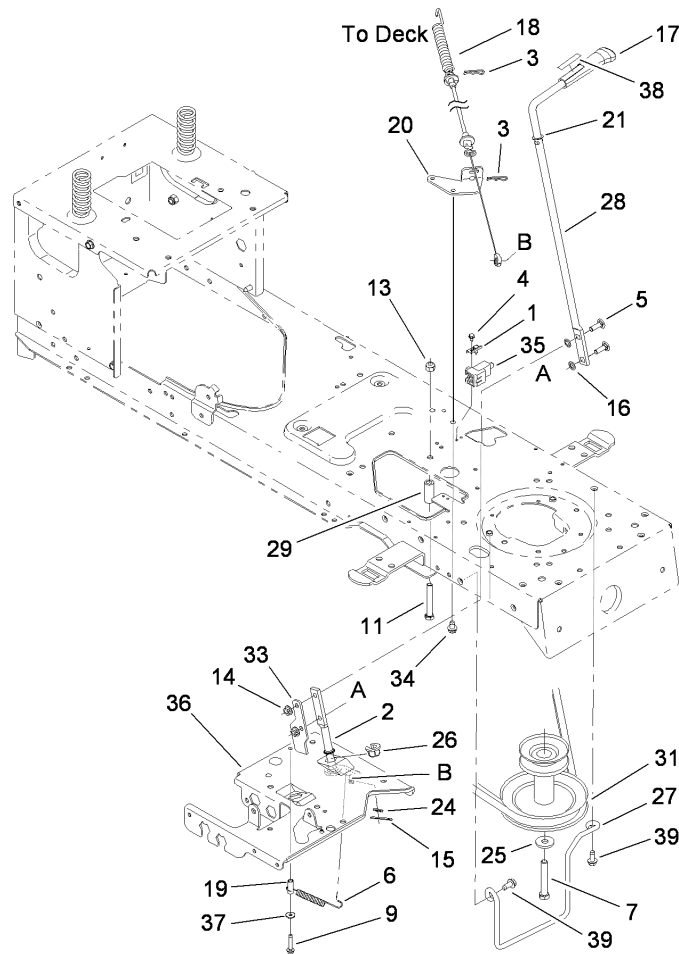
| Ref | Part No. | Qty. | Description | | | | |
|-----|----------|------|-------------------|--|--|--|--|
| 1 | 112-0819 | 1 | Ring-Wire | | | | |
| 2 | 112-0756 | 1 | Ring-E | | | | |
| 3 | 112-0745 | 1 | Washer-Flat | | | | |
| 3 | 112-0748 | 1 | Washer-Flat | | | | |
| 3 | 112-0750 | 1 | Washer-Flat | | | | |
| 4 | 112-0769 | 1 | Washer-Thrust | | | | |
| 5 | 112-0839 | 1 | Screw-TAP | | | | |
| 6 | 112-0833 | 1 | Housing-Upper | | | | |
| 7 | 112-0826 | 1 | Shaft-Input | | | | |
| 8 | 112-0808 | 1 | Bearing-Needle | | | | |
| 9 | 112-0807 | 1 | Pinion-Input, 14T | | | | |
| 10 | 112-0809 | 1 | Ring-Snap | | | | |
| 11 | 112-5944 | 1 | Sleeve-Bearing | | | | |
| 12 | 112-0800 | 1 | Seal | | | | |
| 13 | 112-0823 | 1 | Differential ASM | | | | |
| 14 | 112-0794 | 1 | Bearing-Flange | | | | |
| 15 | 112-0796 | 1 | Gear-Bevel, 42T | | | | |
| 16 | 112-0832 | 1 | Brake ASM | | | | |
| 17 | 112-0840 | 1 | Collar-Clutch | | | | |
| 18 | 112-5945 | 1 | Washer-Flat | | | | |
| 19 | 112-0841 | 1 | Shaft-Drive | | | | |
| 20 | 112-0755 | 1 | Washer-Thrust | | | | |
| 21 | 112-0795 | 1 | Bearing-Flange | | | | |
| 22 | 112-0806 | 1 | Shift Fork ASM | | | | |
| 23 | 112-0799 | 1 | Ball-Detent | | | | |
| 24 | 112-0801 | 1 | Spring-Detent | | | | |
| 25 | 112-0834 | 1 | Housing-Lower | | | | |
| 26 | 112-0741 | 1 | Puck-Brake | | | | |
| 27 | 112-0817 | 1 | Disc-Brake | | | | |
| 28 | 112-0698 | 1 | Screw-HWH | | | | |



Brake and Traction Pedal Assembly

| Ref | Part No. | Qty. | Description |
|-----|----------|------|-----------------------------|
| 14 | 112-0668 | 1 | Nut-Lock, Flange |
| 16 | 112-5997 | 1 | Pin-Cotter |
| 17 | 112-0568 | 1 | Pin-Cotter |
| 44 | 112-0648 | 1 | Brake Control ASM |
| 45 | 112-5998 | 1 | Speed Control ASM |
| 46 | 112-0680 | 1 | Pedal ASM |
| 47 | 112-5999 | 1 | Screw-HWHTF |
| 48 | 112-0395 | 1 | Screw-HWH |
| 50 | 112-0599 | 1 | Pin |
| 51 | 112-6000 | 1 | Nut-Lock, Flange |
| 52 | 112-0506 | 1 | Spring |
| 53 | 112-0510 | 1 | Spring-Extension |
| 54 | 112-0348 | 1 | Spring-Extension |
| 55 | 112-0543 | 1 | Pad-Pedal |
| 56 | 112-6001 | 1 | Pad-Brake |
| 57 | 112-0339 | 1 | Washer-Flat |
| 59 | 112-6002 | 1 | Washer-Flat |
| 61 | 112-5817 | 1 | Bolt-Shoulder |
| 62 | 112-0442 | 1 | Bolt-Shoulder |
| 63 | 112-0347 | 1 | Bearing-Flange |
| 64 | 112-0387 | 1 | Bearing-Flange, Hex (Split) |
| 65 | 112-6003 | 1 | Rod-Brake, Lock Control |
| 66 | 112-0662 | 1 | Rod-Control, Cruise |
| 67 | 112-6004 | 1 | Latch-Cruise |

| Ref | Part No. | Qty. | Description |
|-----|----------|------|------------------|
| 68 | 112-5816 | 1 | Bracket-Lock Out |
| 69 | 112-6005 | 1 | Pedal-Brake |
| 70 | 112-6006 | 1 | Washer-Lock |

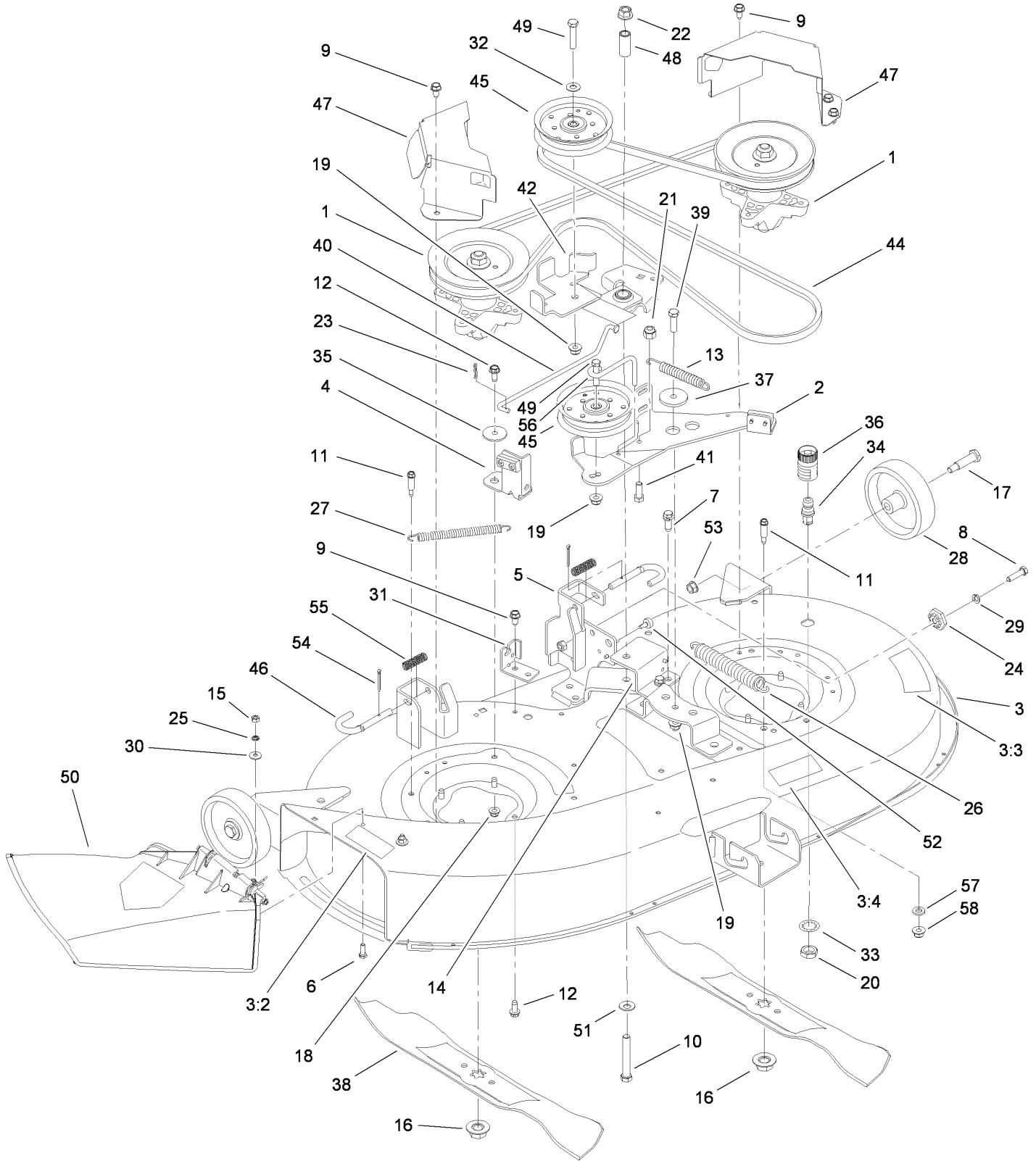


PTO Engage Assembly

| Ref | Part No. | Qty. | Description |
|-----|----------|------|-----------------------------|
| 1 | 112-0671 | 1 | Plate-Switch |
| 2 | 112-6007 | 1 | Lever-Engage, PTO |
| 3 | 112-0398 | 1 | Pin-Click |
| 4 | 112-0651 | 1 | Screw-HH, TAP |
| 5 | 112-0598 | 1 | Bolt-CARR |
| 6 | 112-0567 | 1 | Spring-Extension |
| 7 | 112-6008 | 1 | Screw-HH |
| 9 | 112-0843 | 1 | Screw-HWH |
| 11 | 112-6009 | 1 | Screw-HH |
| 13 | 112-0668 | 1 | Nut-Lock, Flange |
| 14 | 112-0511 | 1 | Nut-Lock, Flange |
| 15 | 112-6010 | 1 | Pin-Cotter |
| 16 | 112-0645 | 1 | Nut-Push |
| 17 | 112-6011 | 1 | Knob-PTO |
| 18 | 112-0504 | 1 | Cable-Engage, Deck |
| 19 | 112-0644 | 1 | Spacer |
| 20 | 112-0649 | 1 | Bracket-Cable |
| 21 | 112-0498 | 1 | Washer-Flat |
| 24 | 112-0601 | 1 | Washer-Flat |
| 25 | 112-0380 | 1 | Washer-Flat |
| 26 | 112-0384 | 1 | Bearing-Flange, Hex (Split) |
| 27 | 112-0609 | 1 | Rod-Keeper, Belt |
| 28 | 112-0393 | 1 | Handle-Engage, Deck |
| 29 | 112-0433 | 1 | Spacer |

| Ref | Part No. | Qty. | Description |
|-----|----------|------|---------------------------|
| 31 | 112-0329 | 1 | Pulley-Engine |
| 33 | 112-0516 | 1 | Bracket-Stop |
| 34 | 112-0676 | 1 | Screw-TAP |
| 35 | 112-0455 | 1 | Switch-Interlock |
| 36 | 112-0681 | 1 | Bracket-Support, Steering |
| 37 | 112-3695 | 1 | Washer-Flat |
| 38 | 112-1274 | 1 | Decal-PTO, Manual |
| 39 | 112-0395 | 1 | Screw-HWH |

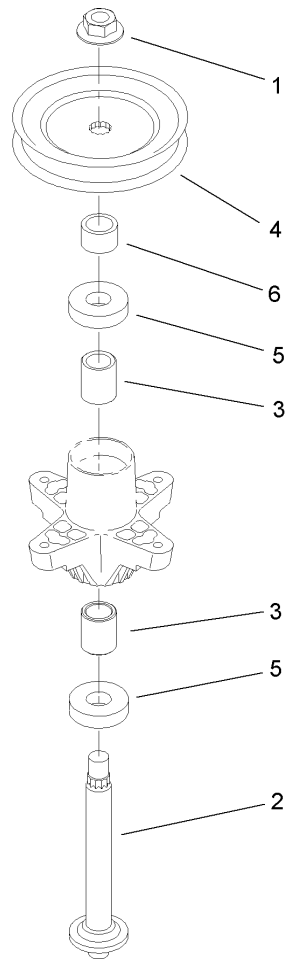
Deck Assembly



Deck Assembly

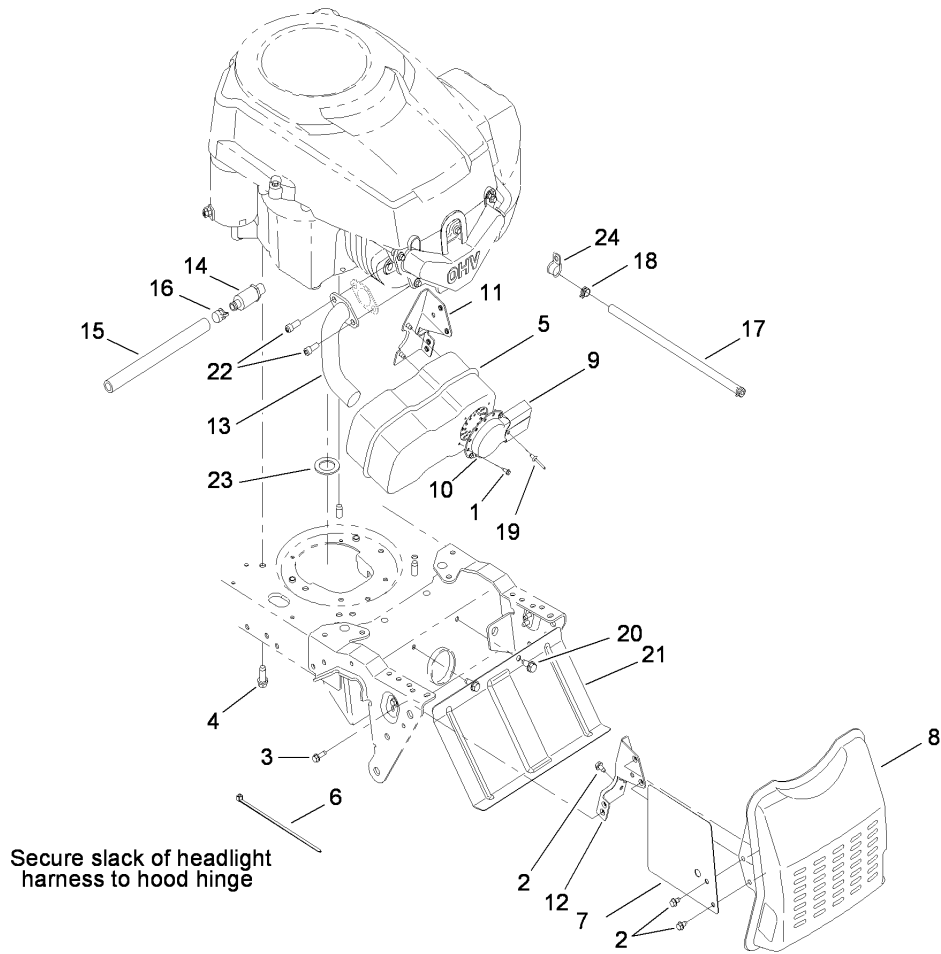
| Ref | Part No. | Qty. | Description |
|-----|----------|------|--------------------------|
| 1 | 112-0460 | 1 | Spindle ASM |
| 2 | 112-0606 | 1 | Deck Brake ASM |
| 3 | 112-5857 | 1 | Deck And Decal ASM |
| 3:2 | 112-1267 | 1 | Decal-Danger |
| 3:3 | 112-1265 | 1 | Decal-Danger |
| 3:4 | 112-1270 | 1 | Decal-Routing, Belt |
| 4 | 112-3742 | 1 | Brake ASM |
| 5 | 112-0413 | 1 | LH Hanger Bracket ASM |
| 6 | 112-0499 | 1 | Screw-HH |
| 7 | 112-0663 | 1 | Screw-TAP |
| 8 | 112-0373 | 1 | Screw-HH |
| 9 | 112-0472 | 1 | Screw-HH, TAP |
| 10 | 112-3745 | 1 | Screw-HH |
| 11 | 112-5918 | 1 | Bolt-Shoulder |
| 12 | 112-0395 | 1 | Screw-HWH |
| 13 | 112-3746 | 1 | Spring-Extension |
| 14 | 112-5801 | 1 | Bracket-Support, Pivot |
| 15 | 112-0522 | 1 | Nut-Hex |
| 16 | 112-0330 | 1 | Nut-Flange, Hex |
| 17 | 112-0334 | 1 | Bolt-Shoulder |
| 18 | 112-0650 | 1 | Nut-Lock, Flange |
| 19 | 112-0668 | 1 | Nut-Lock, Flange |
| 20 | 112-0351 | 1 | Nut-Hex |
| 21 | 112-5821 | 1 | Nut-Lock, Hex |
| 22 | 112-0859 | 1 | Nut-Lock, Flange |
| 23 | 112-0459 | 1 | Pin-Cotter |
| 24 | 112-0327 | 1 | Gear-Adjustment, Deck |
| 25 | 112-0623 | 1 | Retainer-Bolt |
| 26 | 112-0349 | 1 | Spring |
| 27 | 112-0528 | 1 | Spring-Extension |
| 28 | 112-0337 | 1 | Wheel-Deck, Rear |
| 29 | 112-0366 | 1 | Washer-Lock |
| 30 | 112-0485 | 1 | Washer-Spring |
| 31 | 112-0718 | 1 | Bracket-Cable, Deck |
| 32 | 112-0572 | 1 | Washer-Flat |
| 33 | 112-0922 | 1 | Washer-Lock |
| 34 | 112-0879 | 1 | Nozzle-Water, Deck |
| 35 | 112-3747 | 1 | Spacer-Shoulder |
| 36 | 112-0916 | 1 | Adapter-Nozzle, Water |
| 37 | 112-0584 | 1 | Spacer-Shoulder |
| 38 | 112-0315 | 1 | Blade-21.23 Inch |
| 39 | 112-0557 | 1 | Screw-HH |
| 40 | 112-3748 | 1 | Rod-Brake |
| 41 | 112-0855 | 1 | Screw-HH |
| 42 | 112-3743 | 1 | Idler ASM |
| 44 | 112-5800 | 1 | Belt-V Type |
| 45 | 112-0314 | 1 | Pulley-Idler |
| 46 | 112-0436 | 1 | Pin-Handle, Deck Release |
| 47 | 112-0630 | 1 | Cover-Belt |
| 48 | 112-3749 | 1 | Spacer |
| 49 | 112-0513 | 1 | Screw-HH |
| 50 | 112-0353 | 1 | Discharge Chute ASM |

| Ref | Part No. | Qty. | Description |
|-----|----------|------|--------------------|
| 51 | 112-0481 | 1 | Washer-Bell |
| 52 | 112-1016 | 1 | Bumper |
| 53 | 112-0385 | 1 | Nut-Lock, Flange |
| 54 | 112-0412 | 1 | Pin-Cotter |
| 55 | 112-0406 | 1 | Spring-Compression |
| 56 | 112-5879 | 1 | Rod-Keeper, Belt |
| 57 | 112-5919 | 1 | Washer-Flat |
| 58 | 112-0636 | 1 | Nut-Lock, Flange |



Spindle Assembly No. 112-0460

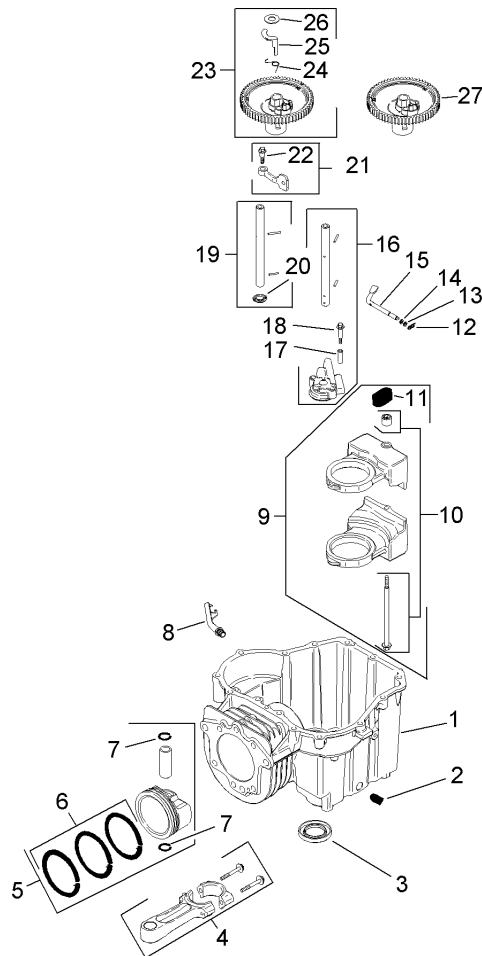
| Ref | Part No. | Qty. | Description |
|-----|----------|------|-----------------------------|
| 1 | 112-0330 | 1 | Nut-Flange, Hex |
| 2 | 112-0884 | 1 | Shaft-Spindle, Blade (Star) |
| 3 | 112-0389 | 1 | Spacer |
| 4 | 112-0613 | 1 | Pulley-Deck |
| 5 | 112-0377 | 1 | Bearing-Ball |
| 6 | 112-5924 | 1 | Spacer |



Muffler Assembly

| Ref | Part No. | Qty. | Description |
|-----|----------|------|-------------------------|
| 1 | 112-0626 | 1 | Screw-HWHTF |
| 2 | 112-0524 | 1 | Screw-HWHTF |
| 3 | 112-0587 | 1 | Screw-HH, TAP |
| 4 | 112-0663 | 1 | Screw-TAP |
| 5 | 112-0361 | 1 | Muffler-Inlet, Single |
| 6 | 112-0527 | 1 | Tie-Cable |
| 7 | 112-5827 | 1 | Shield-Heat |
| 8 | 112-6013 | 1 | Muffler Heat Shield ASM |
| 9 | 112-0730 | 1 | Deflector-Muffler, Long |
| 10 | 112-0453 | 1 | Deflector-Muffler |
| 11 | 112-0467 | 1 | Bracket-Muffler, LH |
| 12 | 112-0466 | 1 | Bracket-Muffler, RH |
| 13 | 112-0430 | 1 | Pipe-Exhaust |
| 14 | 112-0388 | 1 | Drain-Oil |
| 15 | 112-0553 | 1 | Hose-Drain |
| 16 | 112-0397 | 1 | Cap-Drain, Oil |
| 17 | 112-0720 | 1 | Hose-Fuel |
| 18 | 112-0573 | 1 | Clamp-Hose |
| 19 | 112-3741 | 1 | Rivet-Pop |
| 20 | 112-0395 | 1 | Screw-HWH |
| 21 | 112-6014 | 1 | Shield-Heat, Tractor |
| 22 | 112-6012 | 1 | Screw Socket Head |
| 23 | 112-0420 | 1 | Washer-Flat |
| 24 | 112-0463 | 1 | Clamp |

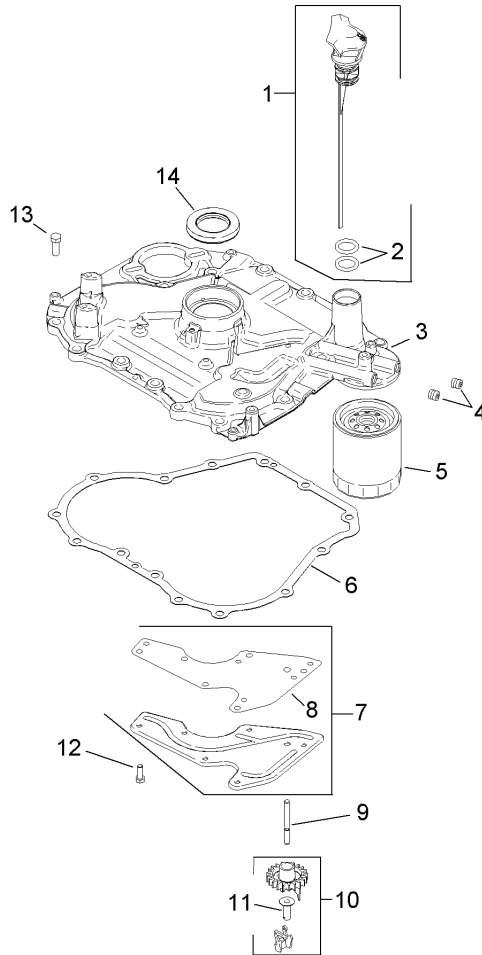
| | | | |
|--|--|--|--|
| | | | |
|--|--|--|--|



Crankcase Assembly Kohler SV540-0019

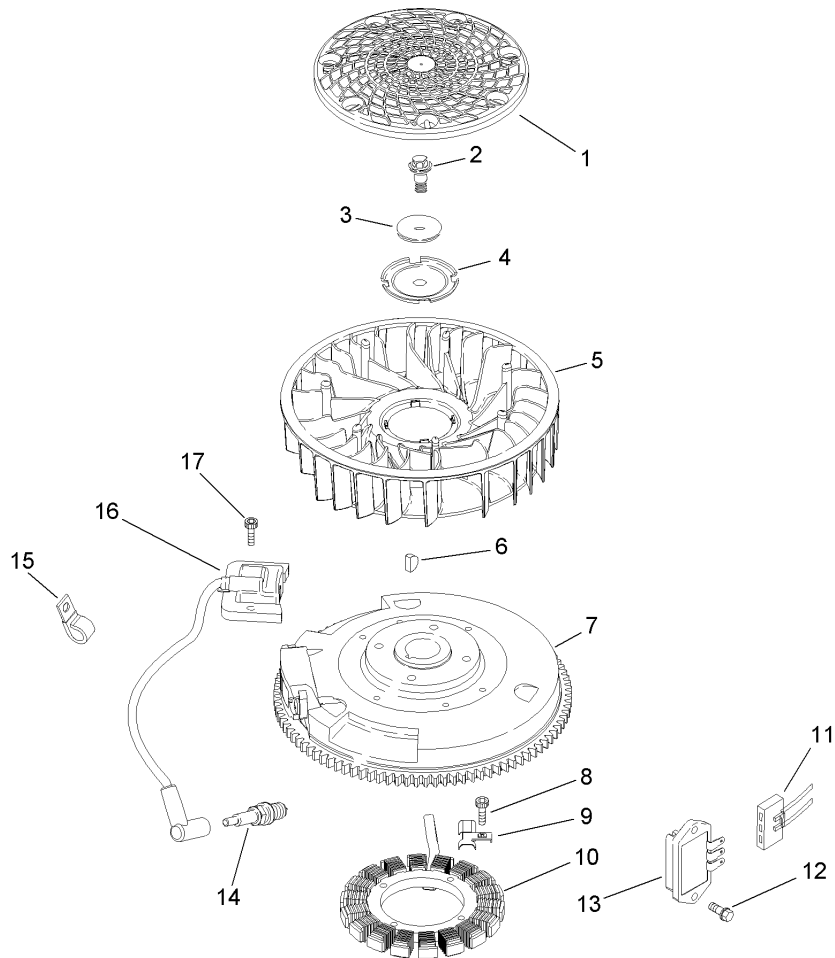
| Ref | Part No. | Qty. | Description |
|-----|-------------|------|---|
| ② ① | | 1 | Crankcase (Use: Short Block 20 522 02) |
| ② | 25 139 57-S | 1 | Plug-Solid, Square Head (.38) |
| ③ | 20 032 01-S | 1 | Seal-Oil |
| ④ | 20 067 04-S | 1 | Connecting Rod ASM |
| ⑤ | 20 874 05-S | 1 | Piston W/Ring Set (Includes 6-7) |
| ⑥ | 20 108 02-S | 1 | Ring Set (89 Mm) |
| ⑦ | 20 018 04-S | 2 | Retainer-Pin, Piston |
| ⑧ | 20 123 02-S | 1 | Tube-Back, Drain |
| ⑨ | 20 755 04-S | 1 | Balance Weight Kit (Includes 10-11) |
| ⑩ | 20 086 16-S | 1 | Screw And Guide Pin Kit |
| ⑪ | 20 423 02-S | 1 | Shoe-Guide |
| ⑫ | 12 154 05-S | 1 | Clip-Pin, Hitch |
| ⑬ | M-631015-S | 1 | Washer-Flat (6Mm) |
| ⑭ | X-25-102-S | 1 | Washer-Flat (1/4) |
| ⑮ | 20 144 02-S | 1 | Shaft-Cross, Governor |
| ⑯ | 20 393 02-S | 1 | Oil Pump ASM (Includes 17-18) |
| ⑰ | 20 112 02-S | 2 | Spacer-Screw, Oil Pump |
| ⑱ | 20 086 13-S | 2 | Screw-Pump, Oil |
| ⑲ | 20 144 06-S | 1 | Shaft-Cam, Center - Exhaust (Includes 20) |
| ⑳ | 20 468 01-S | 1 | Washer-Thrust |
| ㉑ | 20 090 01-S | 2 | Cam Lever ASM (Includes 22) |
| ㉒ | 20 086 06-S | 1 | Bolt-Shoulder (M6X1X26) |

| Ref | Part No. | Qty. | Description |
|-----|-------------|------|--|
| ㉓ | 20 010 04-S | 1 | Cam Gear ASM - Intake (Includes 24-26) |
| ㉔ | 20 089 06-S | 1 | Spring-A C R |
| ㉕ | 20 044 16-S | 1 | Weight-A C R |
| ㉖ | 20 468 03-S | 2 | Washer-Thrust, A C R |
| ㉗ | 20 010 04-S | 1 | Cam Gear ASM |



Oil Pan and Lubrication Assembly Kohler SV540-0019

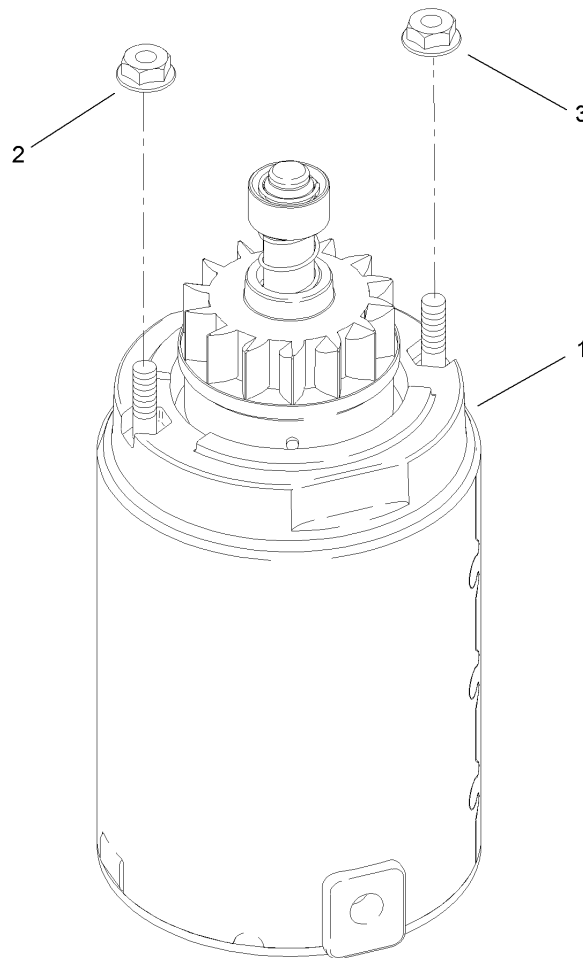
| Ref | Part No. | Qty. | Description |
|-----|-------------|------|------------------------------------|
| 1 | 20 040 03-S | 1 | Dipstick Kit (Includes 2) |
| 2 | 20 153 01-S | 1 | O Ring-Dipstick |
| 3 | 20 009 03-S | 1 | Closure Plate ASM (Includes 4-11) |
| 4 | 25 139 60-S | 2 | Plug-Hex, Countersunk (.125) |
| 5 | 98020 | 1 | Filter-Oil |
| 6 | 20 041 01-S | 1 | Gasket-Plate, Closure |
| 7 | 20 096 02-S | 1 | Oil Passage Cover Kit (Includes 8) |
| 8 | 20 041 02-S | 1 | Gasket-Passage, Oil |
| 9 | 20 144 03-S | 1 | Shaft-Gear, Governor |
| 10 | 20 310 03-S | 1 | Gear And Weight ASM (Includes 11) |
| 11 | 12 380 01-S | 1 | Pin-Regulating, Governor |
| 12 | M-545013-S | 6 | Screw-Flange, Hex (M5X0.8X13) |
| 13 | M-851030-S | 14 | Screw-Flange, Hex (M8X1.25X30) |
| 14 | 20 032 01-S | 1 | Seal-Oil |



Ignition and Electrical Assembly Kohler SV540-0019

| Ref | Part No. | Qty. | Description |
|-----|-------------|------|--------------------------------|
| 1 | 20 162 02-S | 1 | Screen-Grass |
| 2 | 12 086 14-S | 1 | Screw-Hex, Flange (M10X1.5X45) |
| 3 | 12 468 03-S | 1 | Washer-Flat (.38) |
| 4 | 20 146 02-S | 1 | Plate-Fan Mounting |
| 5 | 20 157 01-S | 1 | Fan |
| 6 | X-42-15-S | 1 | Key (.19 X .62) |
| 7 | 20 025 05-S | 1 | Flywheel |
| 8 | 20 086 17-S | 2 | Screw-Socket, Hex (M5X0.8X25) |
| 9 | 20 154 03-S | 1 | Clip-Wire |
| 10 | 237878-S | 1 | Stator Kit (15 Amp) |
| 11 | 236602-S | 1 | Connector (3 Contact) |
| 12 | M-545020-S | 2 | Screw-HHFTF (M5X0.8X20) |
| 13 | 41 403 09-S | 1 | Rectifier-Regulator |
| 14 | 77-7330 | 1 | Plug-Spark |
| 15 | 231285-S | 2 | Clip-Cable |
| 16 | 20 584 01-S | 1 | Module-Ignition |
| 17 | M-561025-S | 2 | Screw-Socket, Hex (M5X0.8X25) |
| 18 | 20 176 01-S | 1 | Harness-Wiring (Six Pin) |

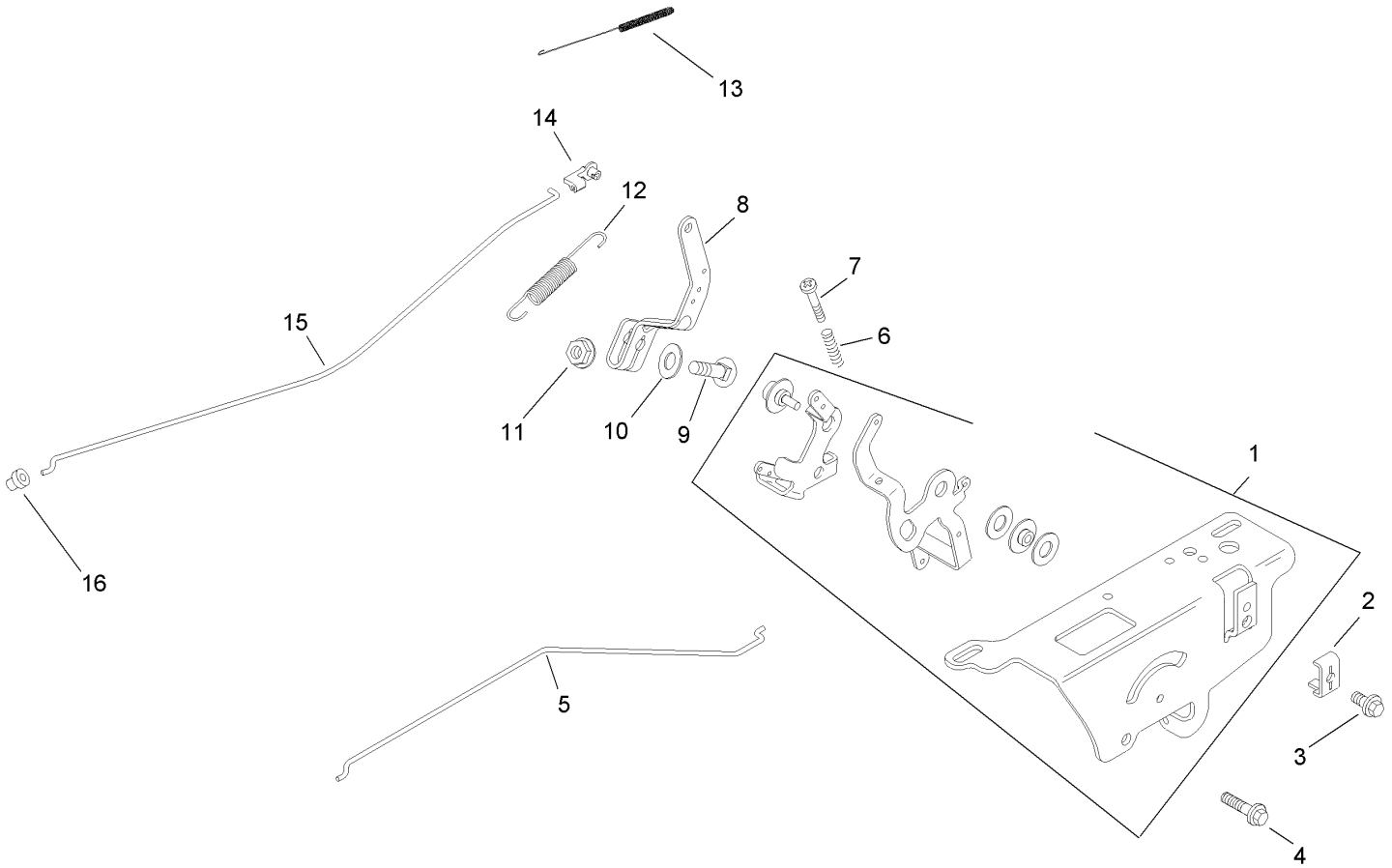
| | | | |
|--|--|--|--|
| | | | |
|--|--|--|--|



Starter Assembly Kohler SV540-0019

| Ref | Part No. | Qty. | Description |
|-----|-------------|------|----------------------------------|
| ❶ | 20 098 01-S | 1 | Starter ASM (Inertia Drive) |
| ❷ | 25 100 31-S | 2 | Nut-Flange, Hex Serrated (10-24) |
| ❸ | 12 100 07-S | 1 | Nut-Flange, Hex (1/4-20) |

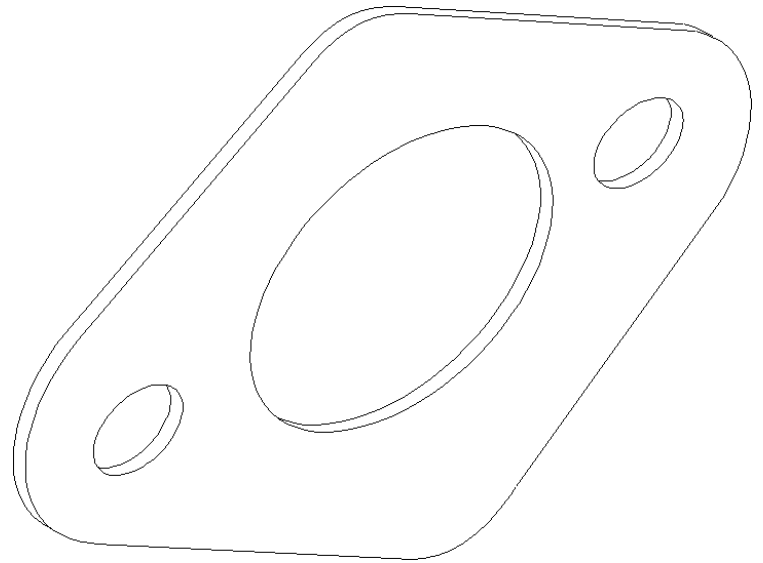
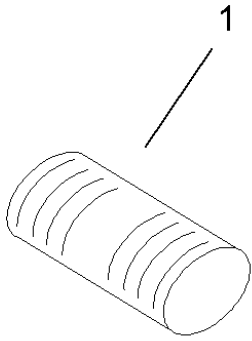
| | | | |
|--|--|--|--|
| | | | |
|--|--|--|--|



Engine Control Assembly Kohler SV540-0019

| Ref | Part No. | Qty. | Description |
|-----|-------------|------|---|
| ❶ | 20 536 05-S | 1 | Speed Control ASM |
| ❷ | 12 237 01-S | 1 | Clamp-Cable |
| ❸ | M-545016-S | 2 | Screw-HHFTF (M5X0.8X16) |
| ❹ | M-664020-S | 2 | Screw-Socket, 6 Lobed (Thread Forming, M6X1.0X20) |
| ❺ | 20 079 05-S | 1 | Linkage-Choke (Single Wire) |
| ❻ | 12 089 11-S | 1 | Spring-Control, Speed |
| ❼ | 20 086 10-S | 1 | Screw-Thread Forming (M4X0.7X25) |
| ❽ | 20 090 02-S | 1 | Lever-Governor |
| ❾ | 52 211 04-S | 1 | Bolt-Square Neck, Round Head (1/4-20X1) |
| ❿ | X-22-11-S | 1 | Washer-Lock, Internal Tooth (1/4) |
| ⓫ | 12 100 07-S | 1 | Nut-Flange, Hex (1/4-20) |
| ⓬ | 20 089 11-S | 1 | Spring-Governor |
| ⓭ | 20 089 10-S | 1 | Spring-Linkage |
| ⓮ | 25 158 11-S | 1 | Bushing-Linkage, Throttle |
| ⓯ | 20 079 04-S | 1 | Linkage-Throttle |
| ⓰ | 25 158 08-S | 1 | Bushing-Retaining, Linkage |

| | | | |
|--|--|--|--|
| | | | |
| | | | |
| | | | |
| | | | |



2

Exhaust and Gasket Assembly Kohler SV540-0019

| Ref | Part No. | Qty. | Description |
|-----|-------------|------|-------------------|
| ●1 | 25 072 04-S | 2 | Stud (M8X1.25X33) |
| ●2 | 20 041 12-S | 1 | Gasket-Exhaust |
| ●●3 | 20 755 05-S | 1 | Gasket Set |

Attachments and Accessories

For 13BX60RG744 - LX425 Lawn Tractor

| Product Name | Model/Part |
|---|-------------|
| Washout Port Kit | 112-5803 |
| 42 Inch Two-Stage Snowthrower | 190-032-101 |
| 42 Inch Twin Bagger | 190-180-190 |
| 46 Inch Front Blade | 190-833-000 |
| 8 Inch Rear Wheel Weight Kit | 59159 |
| Spark Plug | 77-7330 |
| Mulch Kit (42 Inch Deck) | 77210 |
| 10 cu. ft. Dump Cart | 79901 |
| 10 cu. ft. Poly Dump Cart | 79935 |
| Folding Loading Ramp | 79949 |
| Sweeper | 79985 |
| Tire Chain Kit | 82722 |
| Filter-Air | 98018 |
| Filter-Oil | 98020 |
| Filter-Fuel | 98021 |
| Blade Kit (2 Blades, 42 Inch Decks) | 98022 |

Attachments and Accessories

For 13BX60RG748 - LX425 Lawn Tractor

| Product Name | Model/Part |
|---|-------------|
| Washout Port Kit | 112-5803 |
| 42 Inch Two-Stage Snowthrower | 190-032-101 |
| 42 Inch Twin Bagger | 190-180-190 |
| 46 Inch Front Blade | 190-833-000 |
| 8 Inch Rear Wheel Weight Kit | 59159 |
| Spark Plug | 77-7330 |
| Mulch Kit (42 Inch Deck) | 77210 |
| 10 cu. ft. Dump Cart | 79901 |
| 10 cu. ft. Poly Dump Cart | 79935 |
| Folding Loading Ramp | 79949 |
| Sweeper | 79985 |
| Tire Chain Kit | 82722 |
| Filter-Air | 98018 |
| Filter-Oil | 98020 |
| Filter-Fuel | 98021 |
| Blade Kit (2 Blades, 42 Inch Decks) | 98022 |

