



## LX500 Lawn Tractor

Model No. 13AP60RP544 - 1A056B50000 and up.

### Parts Catalog

---

#### **Ordering Replacement Parts**

To order replacement parts, please supply the part number, the quantity, and the description of each part desired.

#### **Understanding Reference Numbers**

Each identified part in an illustration has a reference number. The reference number for a part also appears in the parts list, along with other information about the part.

This catalog uses two special reference number formats, one to indicate parts in a service assembly and another to indicate the quantity of a given part in an illustration.

#### **Service Assembly Reference Numbers**

Parts in service assemblies have reference numbers in the form a:b. The a represents the reference number of the entire service assembly and the b represents a sequential number unique to each part within the service assembly.

For example, a wheel assembly might be identified by reference number 6, the tire by 6:1, the valve by 6:2, and the wheel by 6:3. When you order the assembly identified by reference number 6, you receive all parts identified by reference numbers 6:1, 6:2, and 6:3. However, you may also order any part individually. Reference numbers of this type appear in illustrations and in part lists.

#### **Reference Numbers Indicating Quantity**

In an illustration, if a reference number indicates more than one part, the reference number has the form nX y. The n represents the quantity of the part, the X is the multiplication symbol, and the y represents the reference number.

For example, in an illustration, the reference number 2X 37 means that two of the parts identified by reference number 37 are indicated.

# Contents

Description	Page	Description	Page
Front and Rear Wheel Assembly	..... 3	Oil Pan and Lubrication Assembly Kohler SV720-0011	..... 21
Deck Lift Arm Assembly	..... 4	Head, Valve and Breather Assembly Kohler SV720-0011	..... 22
Steering Shaft and Front Axle Assembly	..... 5	Ignition and Electrical Assembly Kohler SV720-0011	..... 23
Frame and Battery Assembly	..... 6	Blower Housing and Baffle Assembly Kohler SV720-0011	..... 24
Seat and Fender Assembly	..... 7	Starting System Assembly Kohler SV720-0011	..... 25
Fuel Tank and Hood Assembly	..... 8	Fuel System Assembly Kohler SV720-0011	..... 26
Brake and Traction Pedal Assembly	..... 9	Engine Control Assembly Kohler SV720-0011	..... 27
Transmission, Belt and Pulley Assembly	..... 10	Air Intake and Filtration Assembly Kohler SV720-0011	..... 28
Single Speed Transmission Assembly No. 112-0368	..... 12	Exhaust Stud, Gasket and Decal Assembly Kohler SV720-0011	..... 29
Deck Assembly	..... 14	Attachments and Accessories List	..... 30
Spindle Assembly No. 112-0370	..... 16		
Electric Clutch Assembly	..... 17		
Muffler Assembly	..... 18		
Crankshaft Assembly Kohler SV720-0011	..... 19		
Crankcase Assembly Kohler SV720-0011	..... 20		

## Part Description Abbreviations

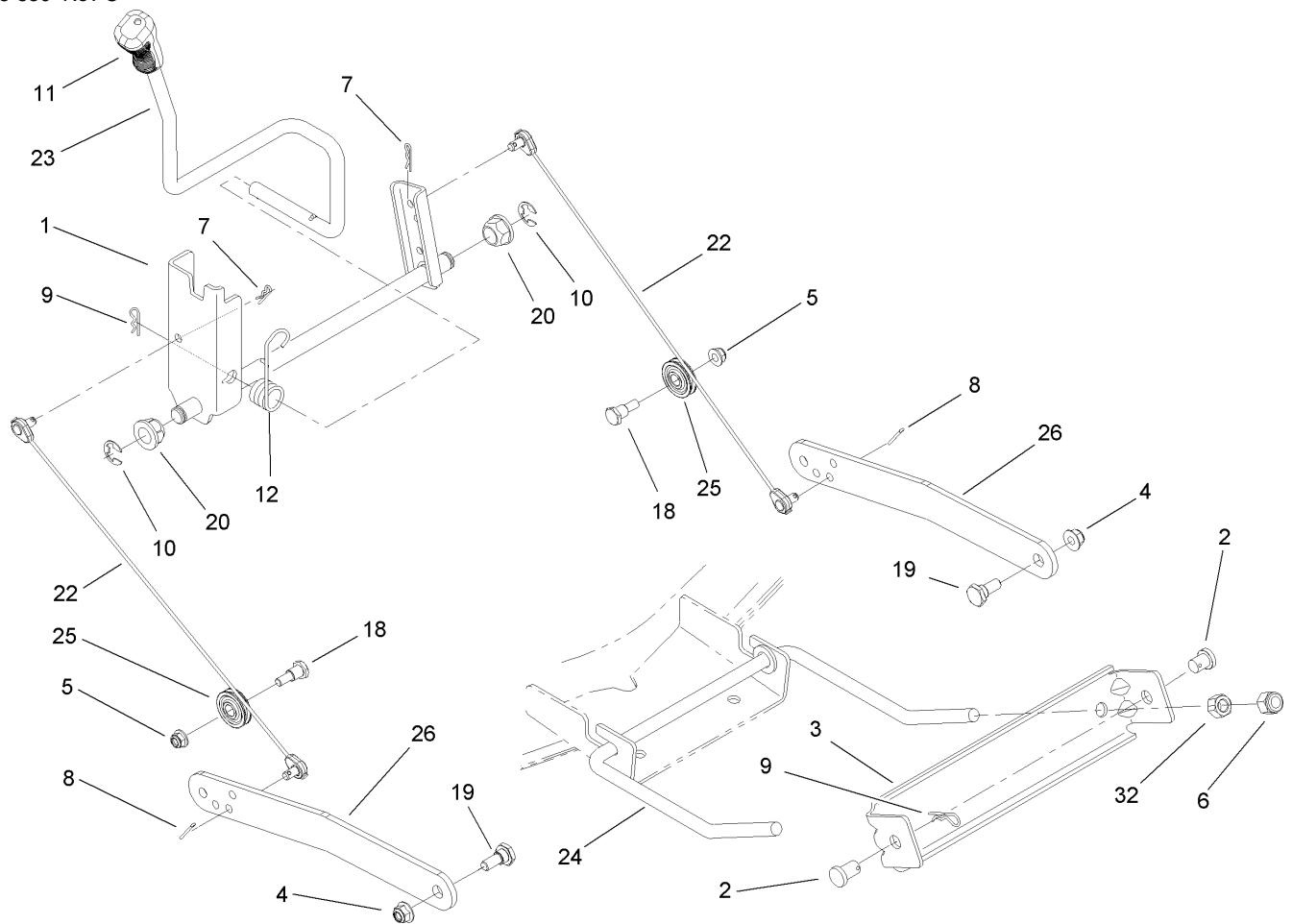
Part descriptions in this catalog may include the following abbreviations.

AR. .... as required	HYD. .... hydraulic
ASM. .... assembly	LH. .... left hand
BBC. .... blade brake clutch	NI. .... nylon insert
CARR. .... carriage	NPTF. .... national pipe thread fine
DEG. .... degrees	PFH. .... phillips flat head
EXT. .... external	PPH. .... phillips pan head
FH. .... flat head	PPHTF. .... phillips pan head thread forming
GA. .... gauge	PRH. .... phillips round head
HD. .... heavy-duty	PTH. .... phillips truss head
HF. .... hex flange	PTO. .... power-take-off
HH. .... hex head	RH. .... right hand
HHF. .... hex head flange	ROPS. .... roll-over protection system
HHFTF. .... hex head flange thread forming	SFH. .... slotted fillister head
HJ. .... hex jam	SHH. .... slotted hex head
HLH. .... hex lag head	SHWH. .... slotted hex washer head
HOC. .... height-of-cut	SPH. .... slotted pan head
HSBH. .... hex socket button head	SQH. .... square head
HSFH. .... hex socket flat head	SRH. .... slotted round head
HSH. .... hex socket head	STD. .... standard
HWH. .... hex washer head	TAP. .... self tapping
HWHTF. .... hex washer head thread forming	TTH. .... torx truss head

## Footnotes

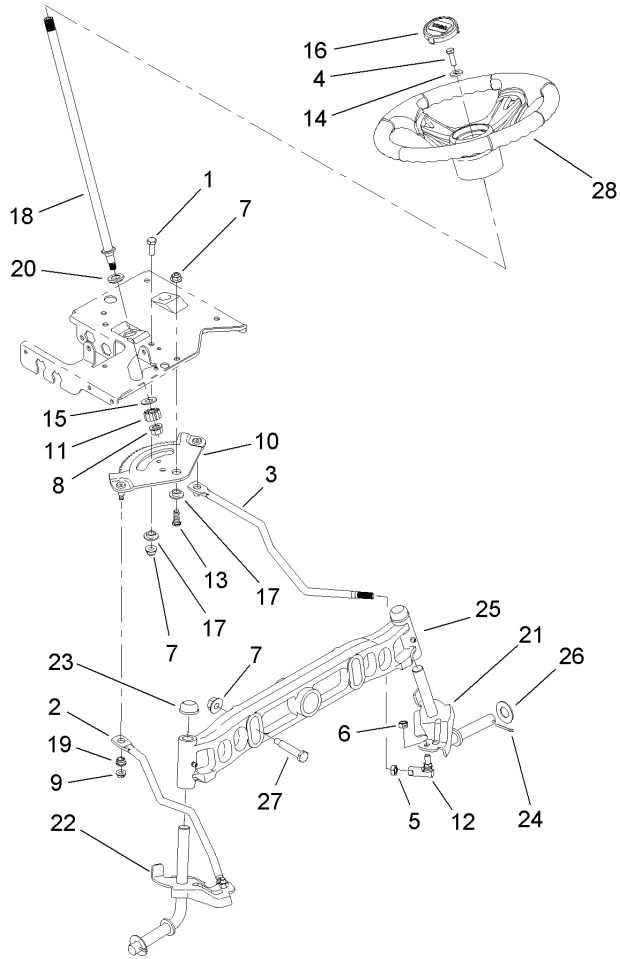
- |  |                                      |
|--|--------------------------------------|
| ❶ Not illustrated                      | ❷ Not serviced separately            |
| ❸ Obtain from your local Kohler dealer | ❹ Obtain from your local Toro dealer |
| ❺ For Service with Keihin Carburetors  | ❻ For Service of Nikki Carburetors   |





## Deck Lift Arm Assembly

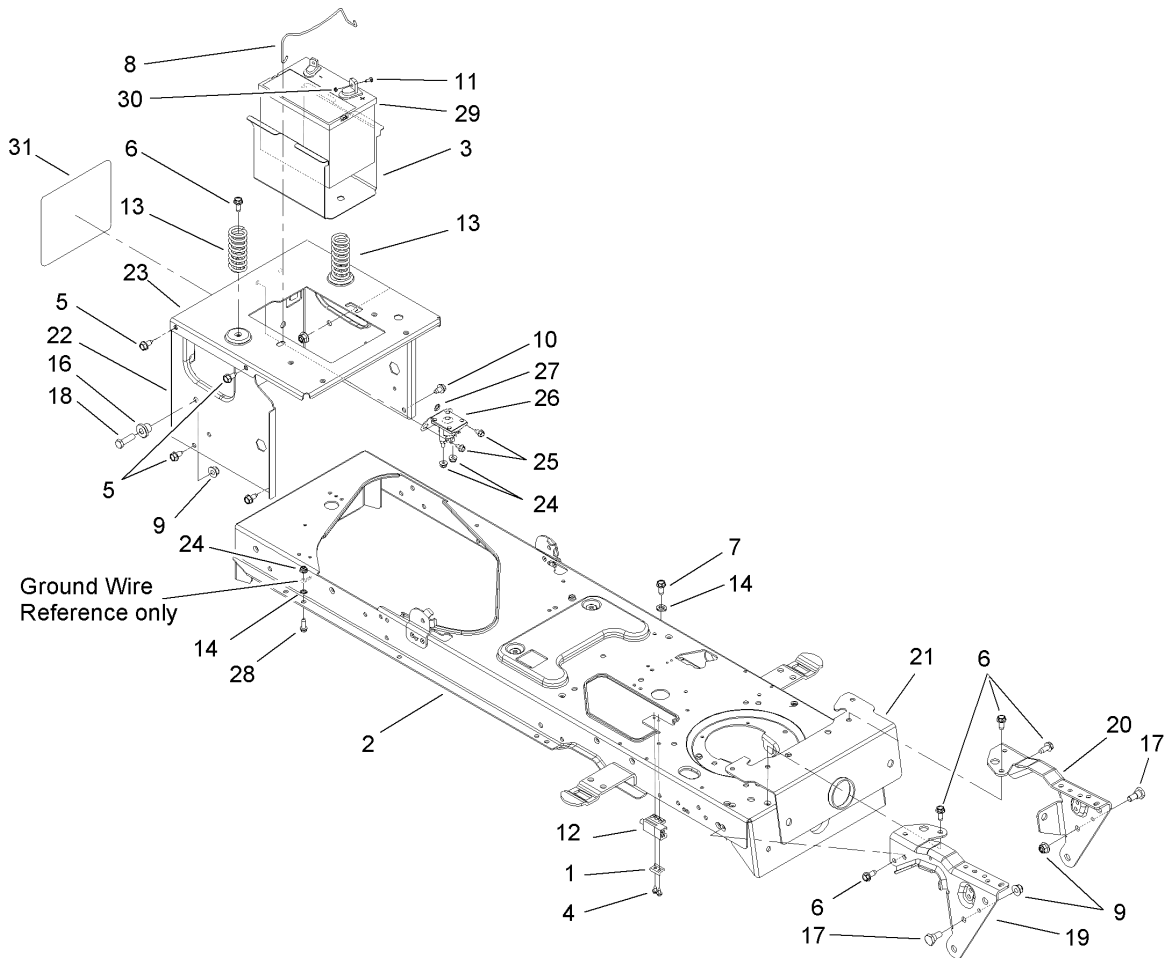
Ref	Part No.	Qty.	Description
1	112-0686	1	Lift Shaft ASM
2	112-0376	1	Pin-Bracket, Lift
3	112-0707	1	Bracket-Stabilizer
4	112-0668	1	Nut-Lock, Flange
5	112-0650	1	Nut-Lock, Flange
6	112-0476	1	Nut-Lock, Hex (Nylon)
7	112-0459	1	Pin-Cotter
8	112-0568	1	Pin-Cotter
9	112-0394	1	Pin-Hair
10	112-0586	1	Ring-E
11	112-0585	1	Grip-Handle
12	112-0477	1	Spring-Torsion
18	112-0443	1	Bolt-Shoulder
19	112-0565	1	Bolt-Shoulder
20	112-0347	1	Bearing-Flange
22	112-0374	1	Cable-Lift
23	112-0674	1	Handle-Lift
24	112-0456	1	Rod-Front, Adjust
25	112-0502	1	Pulley-Roller
26	112-0724	1	Link-Lift
32	112-0458	1	Nut-Hex

## Steering Shaft and Front Axle Assembly

Ref	Part No.	Qty.	Description
1	112-0492	1	Screw-HH
2	112-0355	1	Link-Drag, RH
3	112-0346	1	Link-Drag, LH
4	112-0473	1	Screw-HH
5	112-0493	1	Nut-Jam
6	112-0483	1	Nut-Hex, Lock
7	112-0668	1	Nut-Lock, Flange
8	112-0859	1	Nut-Lock, Flange
9	112-0511	1	Nut-Lock, Flange
10	112-0862	1	Gear-Steering
11	112-0863	1	Gear-Pinion, Steering
12	112-0917	1	Ball Joint ASM
13	112-0631	1	Screw-HH
14	112-0924	1	Washer-Flat
15	112-0925	1	Washer-Flat
16	112-3734	1	Cap-Wheel, Steering
17	112-0881	1	Spacer-Shoulder
18	112-5804	1	Shaft-Steering
19	112-0929	1	Bushing
20	112-0930	1	Bearing-Flange, Hex
21	112-0687	1	LH Axle ASM
22	112-0405	1	RH Axle ASM
23	112-0323	1	Cap
24	112-0519	1	Pin-Cotter

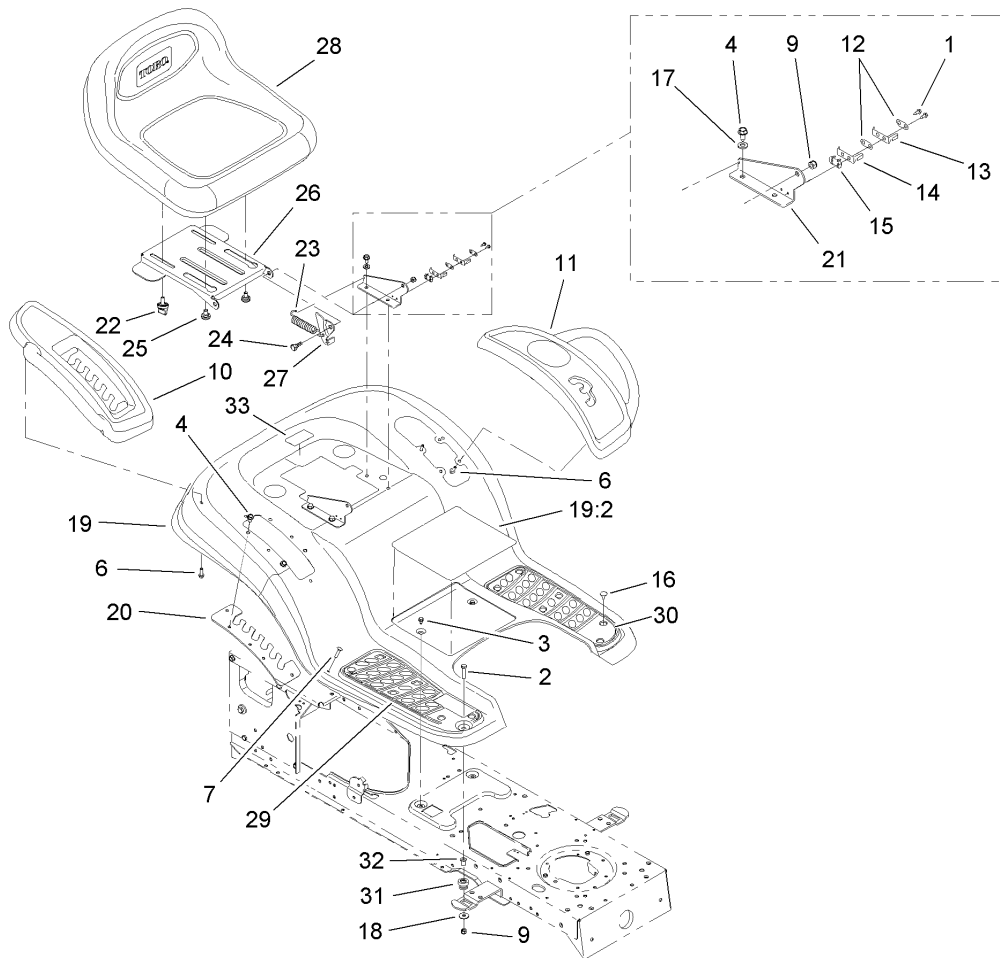
Ref	Part No.	Qty.	Description
25	112-0416	1	Axle-Pivot, Front
26	112-0396	1	Washer-Flat
27	112-0486	1	Bolt-Shoulder
28	112-0438	1	Wheel-Steering, Softgrip



## Frame and Battery Assembly

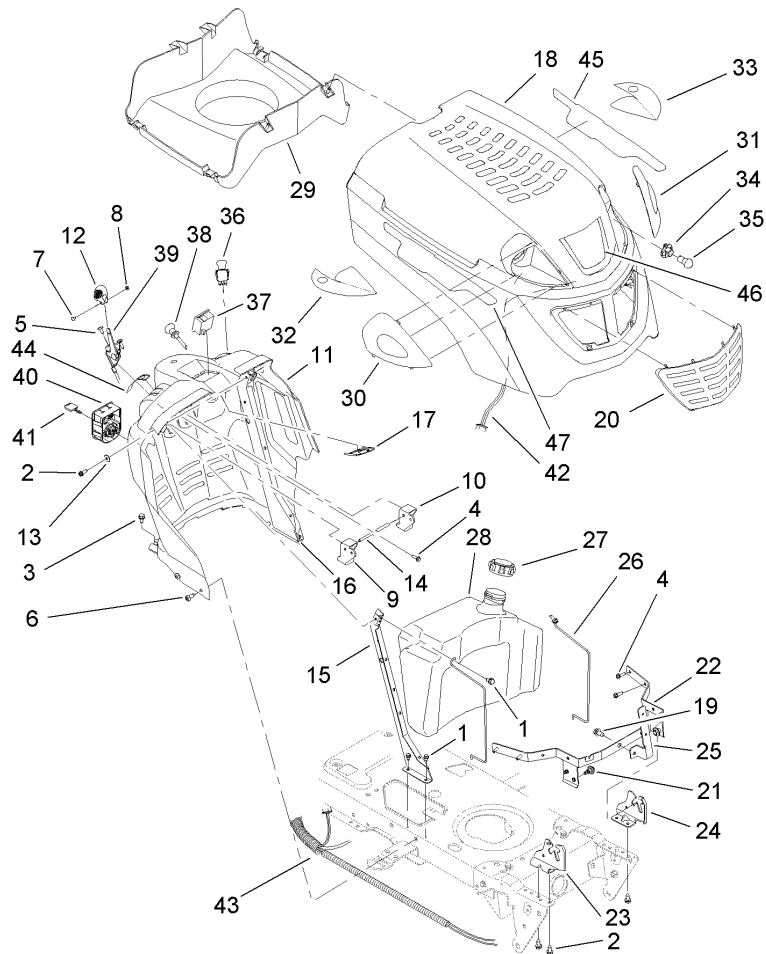
Ref	Part No.	Qty.	Description
1	112-0671	1	Plate-Switch
2	112-0705	1	Lower Frame ASM
3	112-0570	1	Tray-Battery
4	112-0651	1	Screw-HH, TAP
5	112-0472	1	Screw-HH, TAP
6	112-0395	1	Screw-HWH
7	112-0659	1	Screw-HWH
8	112-0581	1	Rod-Holddown, Battery
9	112-0668	1	Nut-Lock, Flange
10	112-0676	1	Screw-TAP
11	112-0479	1	Bolt-CARR
12	112-0455	1	Switch-Interlock
13	112-0501	1	Spring-Compression
14	112-0703	1	Washer-Lock, External
16	112-0661	1	Spacer-Shoulder
17	112-0565	1	Bolt-Shoulder
18	112-0557	1	Screw-HH
19	112-0620	1	Bracket-Pivot, Support
20	112-0610	1	Bracket-Pivot, Support
21	112-0640	1	Bracket-Pivot, Bar
22	112-0728	1	Frame-Upper
23	112-0647	1	Bracket-Frame, Seat
24	112-0636	1	Nut-Lock, Flange
25	112-0524	1	Screw-HWHTF

Ref	Part No.	Qty.	Description
26	112-0309	1	Solenoid-12V
27	112-0703	1	Washer-Lock, External
28	112-0587	1	Screw-HH, TAP
29	112-0425	1	Battery-245, Cca (Dry Flat Top)
30	112-5805	1	Nut-Sems
31	112-1284	1	Decal-Toro



## Seat and Fender Assembly

Ref	Part No.	Qty.	Description	Ref	Part No.	Qty.	Description
1	112-0626	1	Screw-HWHTF	26	112-0593	1	Bracket-Seat
2	112-0373	1	Screw-HH	27	112-0646	1	Bracket-Lift, LH
3	112-0524	1	Screw-HWHTF	28	112-0372	1	Seat-High Back
4	112-0556	1	Screw-HWH	29	112-0540	1	Pad-Foot, RH
6	112-0509	1	Screw-HH, TAP	30	112-0545	1	Pad-Foot, LH
7	112-0907	1	Screw-CARR	31	112-3701	1	Decal-Toro Hotline
9	112-0650	1	Nut-Lock, Flange	31	112-3732	1	Grommet
10	112-0471	1	Cover-Fender, RH	32	112-3733	1	Spacer
11	112-0470	1	Cover-Fender, LH	33	112-3701	1	Decal-Toro Hotline
12	112-0635	1	Plate-Insulator				
13	112-0529	1	Switch-Spring				
14	112-0532	1	Switch-Spring, Inner				
15	112-0637	1	Plate-Boss, Insulator				
16	112-0549	1	Clip-Ratchet, Fastener				
17	112-0517	1	Washer-Lock, External				
18	112-0582	1	Washer-Flat				
19	112-5866	1	Fender And Decal ASM				
19:2	112-3705	1	Decal-Slope				
20	112-0629	1	Bracket-Adjusting, Lift				
21	112-0905	1	Bracket-Mount, Seat				
22	112-0409	1	Knob				
23	112-0616	1	Spring-Extension				
24	112-0575	1	Bolt-Shoulder				
25	112-0554	1	Bolt-Shoulder				

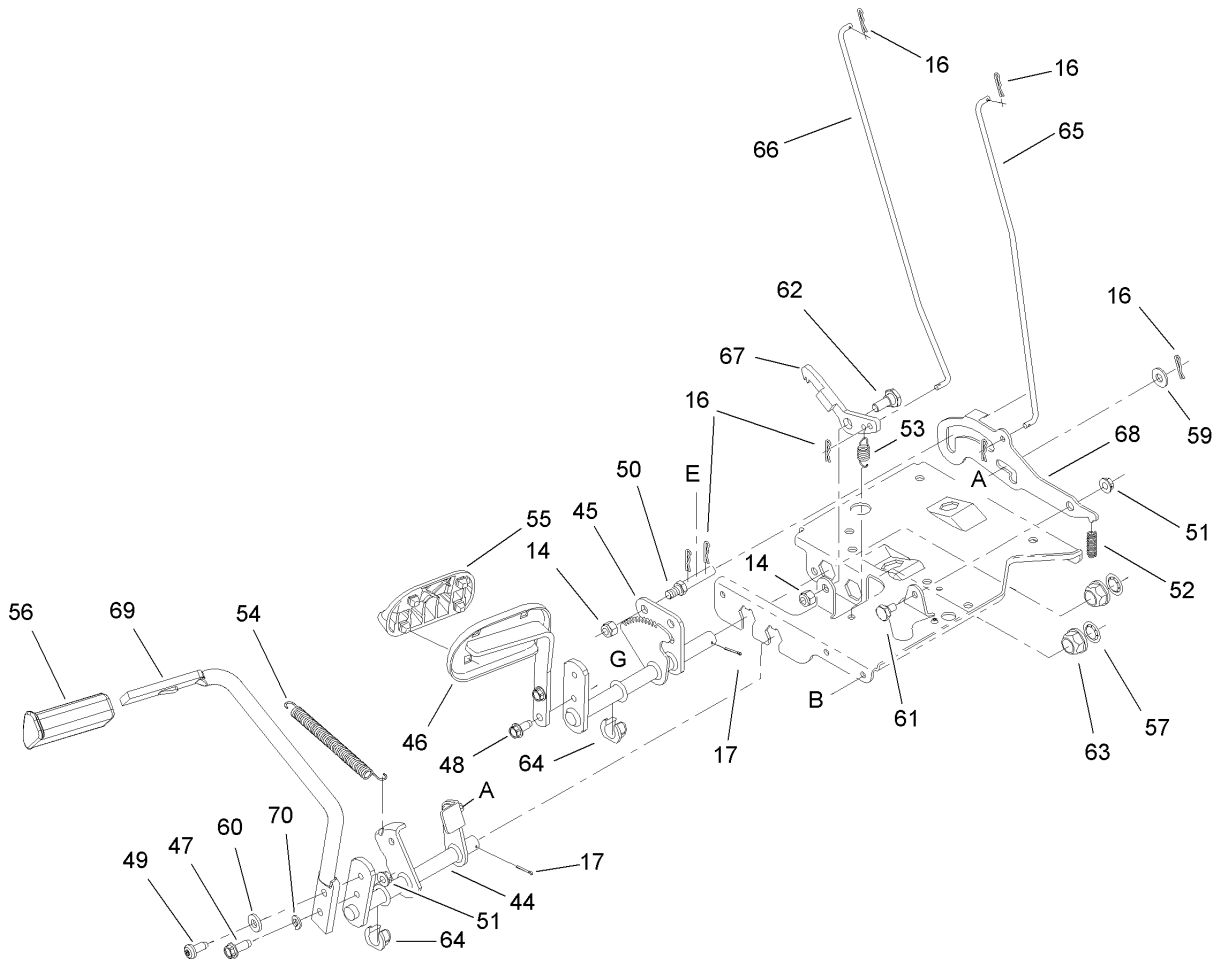


## Fuel Tank and Hood Assembly

Ref	Part No.	Qty.	Description
1	112-0524	1	Screw-HWHTF
2	112-0587	1	Screw-HH, TAP
3	112-0472	1	Screw-HH, TAP
4	112-0509	1	Screw-HH, TAP
5	112-0550	1	Screw-TAP
6	112-0563	1	Screw-TAP
7	112-0478	1	Screw-PTH
8	112-0515	1	Nut-Hex
9	112-0526	1	Lever-Cruise
10	112-0580	1	Lever-Brake
11	112-0536	1	Dash-PTO, Electric
12	112-0474	1	Knob-Control
13	112-0485	1	Washer-Spring
14	112-0604	1	Rod-Lever, Bent
15	112-0583	1	Support-Dash, RH
16	112-0591	1	Support-Dash, LH
17	112-5809	1	Bracket-PTO
18	112-0444	1	Hood
19	112-0906	1	Screw-HWHTF
20	112-0381	1	Grill
21	112-0597	1	Bolt-Shoulder
22	112-0555	1	Bracket-Pivot
23	112-0727	1	Bracket-Pivot, Hood (RH)
24	112-0726	1	Bracket-Pivot, Hood (LH)

Ref	Part No.	Qty.	Description
25	112-3736	1	Bracket-Support, Hood
26	112-0678	1	Rod-Support
27	112-0321	1	Cap-Fuel
28	112-0414	1	Tank-Fuel, 3 Gallon
29	112-5814	1	Plenum-Hood
30	112-0447	1	Lens-RH
31	112-0446	1	Lens-LH
32	112-5810	1	Reflector-RH
33	112-5811	1	Reflector-LH
34	112-0408	1	Socket-Headlight
35	112-0402	1	Lamp-12V, Miniature
36	112-0411	1	Switch-Electric, PTO
37	112-0336	1	Meter-Indicator, Systems
38	112-0310	1	Cable Control ASM (W/Choke Knob)
39	112-0403	1	Cable-Throttle
40	112-0865	1	Module-Switch, Ignition
41	112-0312	1	Key-Ignition
42	112-0480	1	Harness-Headlight
43	112-5815	1	Harness-Wiring
44	112-1272	1	Decal-Throttle, Dash
45	112-1282	1	Decal-Hood, Left Side
46	112-1285	1	Decal-Hood, Toro
47	112-1283	1	Decal-Hood, Right Side



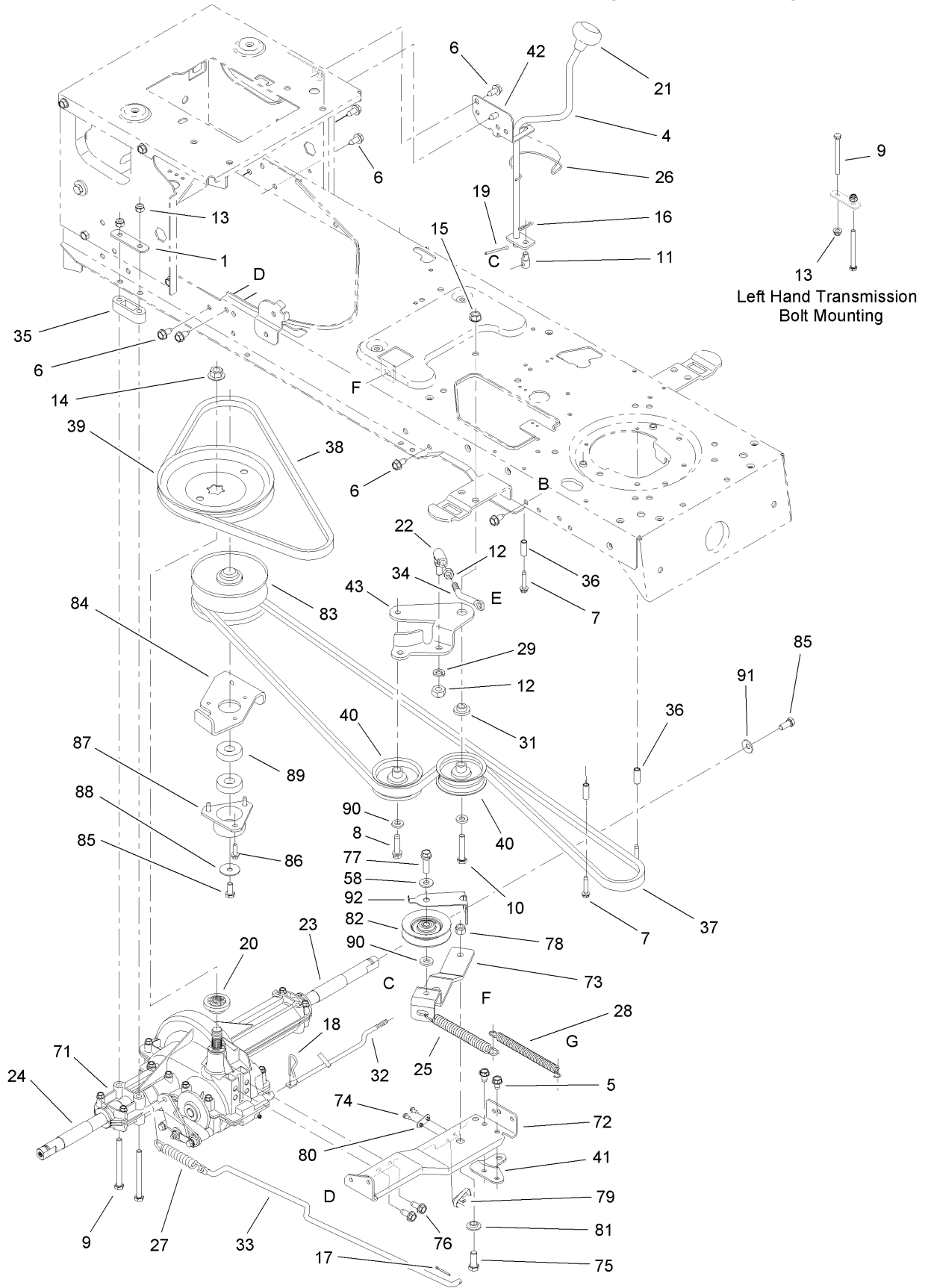


## Brake and Traction Pedal Assembly

Ref	Part No.	Qty.	Description
14	112-0668	1	Nut-Lock, Flange
16	112-0459	1	Pin-Cotter
17	112-0568	1	Pin-Cotter
44	112-0648	1	Brake Control ASM
45	112-0539	1	Speed Control ASM
46	112-0680	1	Pedal ASM
47	112-0404	1	Screw-HWHTF
48	112-0395	1	Screw-HWH
49	112-0563	1	Screw-TAP
50	112-0599	1	Pin
51	112-0511	1	Nut-Lock, Flange
52	112-0506	1	Spring
53	112-0510	1	Spring-Extension
54	112-0348	1	Spring-Extension
55	112-0543	1	Pad-Pedal
56	112-0530	1	Pad-Brake
57	112-0339	1	Washer-Flat
59	112-0572	1	Washer-Flat
60	112-0579	1	Washer-Flat
61	112-5817	1	Bolt-Shoulder
62	112-0442	1	Bolt-Shoulder
63	112-0347	1	Bearing-Flange
64	112-0387	1	Bearing-Flange, Hex (Split)
65	112-0675	1	Rod-Brake, Lock Control

Ref	Part No.	Qty.	Description
66	112-0662	1	Rod-Control, Cruise
67	112-0696	1	Latch-Cruise
68	112-5816	1	Bracket-Lock Out
69	112-3738	1	Pedal-Brake
70	112-0366	1	Washer-Lock

# Transmission, Belt and Pulley Assembly

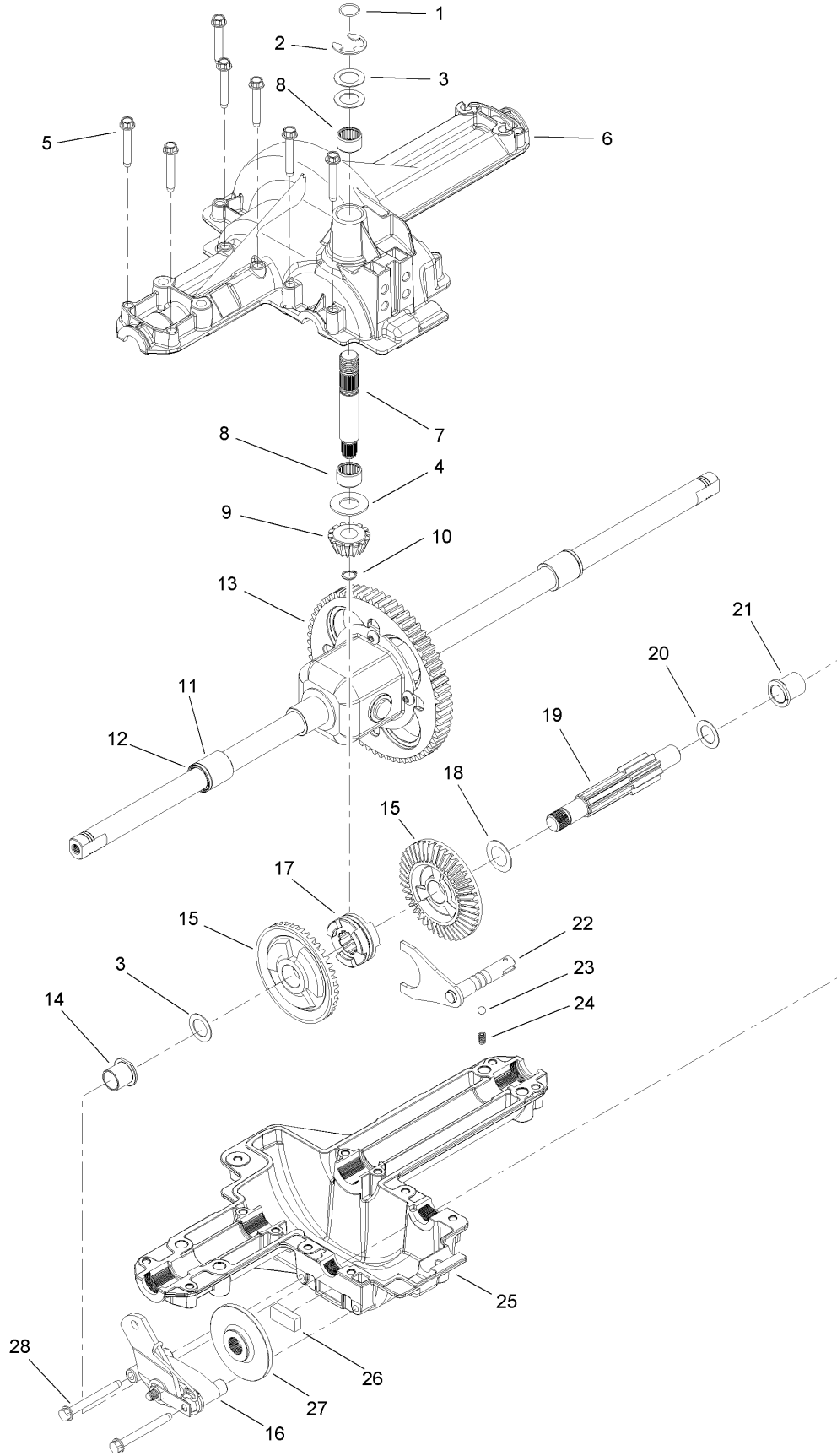


# Transmission, Belt and Pulley Assembly

Ref	Part No.	Qty.	Description
1	112-0628	1	Bracket-Mounting, Transmission
4	112-0627	1	Shift Lever ASM
5	112-0676	1	Screw-TAP
6	112-0472	1	Screw-HH, TAP
7	112-0603	1	Screw-HH
8	112-0469	1	Screw-HH, TAP
9	112-0667	1	Screw-HH
10	112-0421	1	Screw-HH
11	112-0592	1	Ferrule-Adj
12	112-0343	1	Nut-Hex
13	112-0650	1	Nut-Lock, Flange
14	112-0451	1	Nut-Flange
15	112-0385	1	Nut-Lock, Flange
16	112-0459	1	Pin-Cotter
17	112-0568	1	Pin-Cotter
18	112-0639	1	Pin-Hair
19	112-0412	1	Pin-Cotter
20	112-0450	1	Hub-Pulley
21	112-0514	1	Knob-Shift
22	112-0306	1	Ball Joint ASM
23	112-0670	1	Sleeve
24	112-0683	1	Sleeve
25	112-5991	1	Spring-Extension
26	112-0357	1	Clip-Spring, Shifter
27	112-0350	1	Spring-Extension
28	112-0348	1	Spring-Extension
29	112-0415	1	Washer-Lock
31	112-0345	1	Spacer-Shoulder
32	112-0632	1	Rod-Shift
33	112-0655	1	Rod-Brake
34	112-0538	1	Rod-Adjustment, Idler
35	112-0673	1	Spacer-Transaxle
36	112-0644	1	Spacer
37	112-0301	1	Belt-Drive, Variable Speed
38	112-0305	1	Belt-Drive, Transmission
39	112-0379	1	Pulley-V (W/Hub)
40	112-3687	1	Pulley-Idler, Flat
41	112-5813	1	Bracket-Shift
42	112-0638	1	Bracket-Shift
43	112-0525	1	Bracket-Idler, Center Double
58	112-0541	1	Washer-Flat
71	112-0368	1	Single Speed Transmission ASM
72	112-0552	1	Bracket-Torque
73	112-0434	1	Bracket-Idler
74	112-0626	1	Screw-HWHTF
75	112-0492	1	Screw-HH
76	112-0556	1	Screw-HWH
77	112-0469	1	Screw-HH, TAP
78	112-0417	1	Nut-Lock, Hex
79	112-0602	1	Switch-Spring, Short
80	112-0625	1	Plate-Insulator
81	112-0360	1	Spacer-Shoulder

Ref	Part No.	Qty.	Description
82	112-0892	1	Pulley-Idler, V-Type
83	112-0364	1	Variable Speed Pulley ASM
84	112-0596	1	Bracket-Pulley
85	112-0551	1	Screw-HH
86	112-0587	1	Screw-HH, TAP
87	112-0520	1	Cup-Bearing
88	112-0500	1	Washer-Flat
89	112-0423	1	Bearing-Ball
90	112-0544	1	Washer-Flat
91	112-0435	1	Washer-Bell
92	112-5883	1	Guide-Belt, Traction

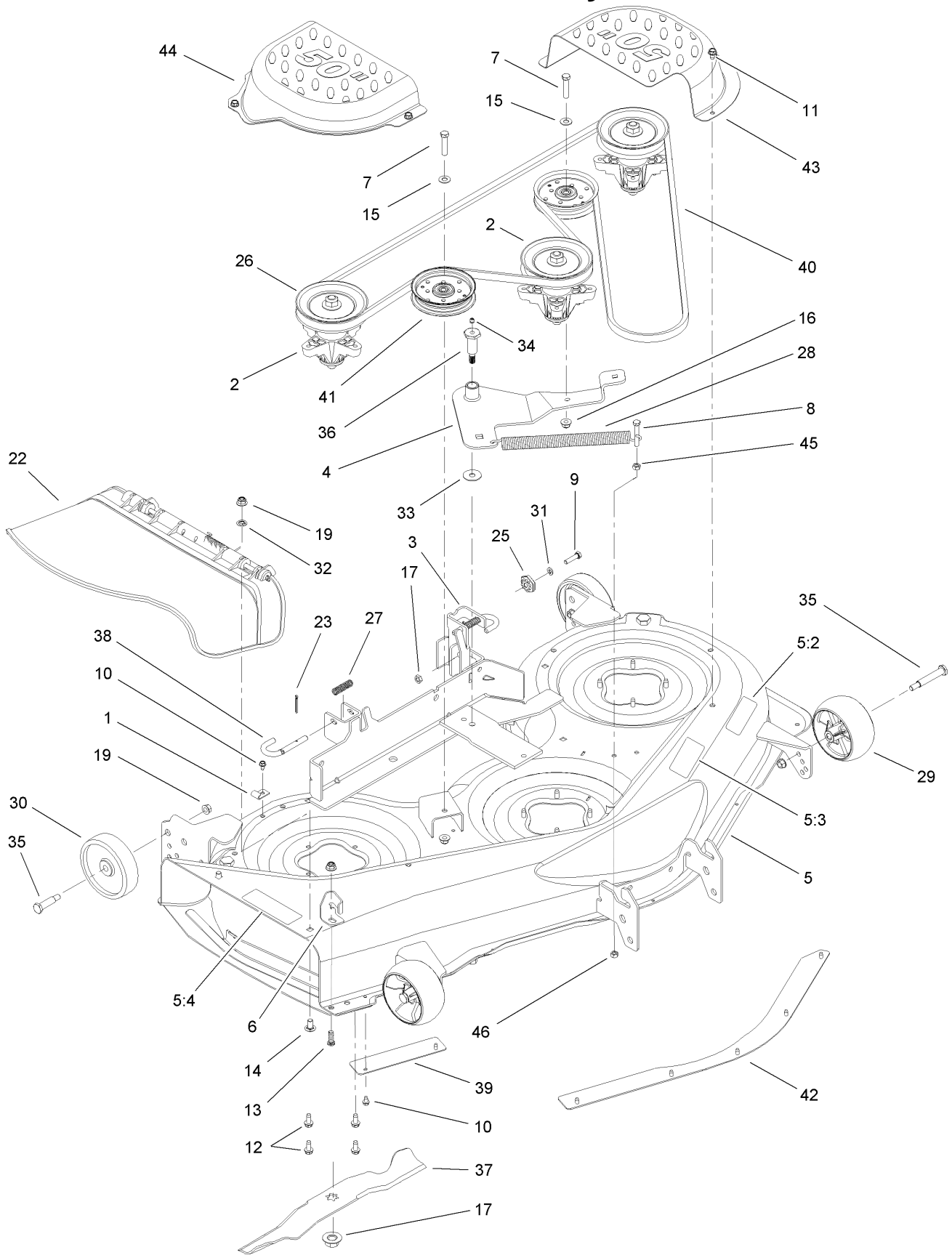
# Single Speed Transmission Assembly No. 112-0368



# Single Speed Transmission Assembly No. 112-0368

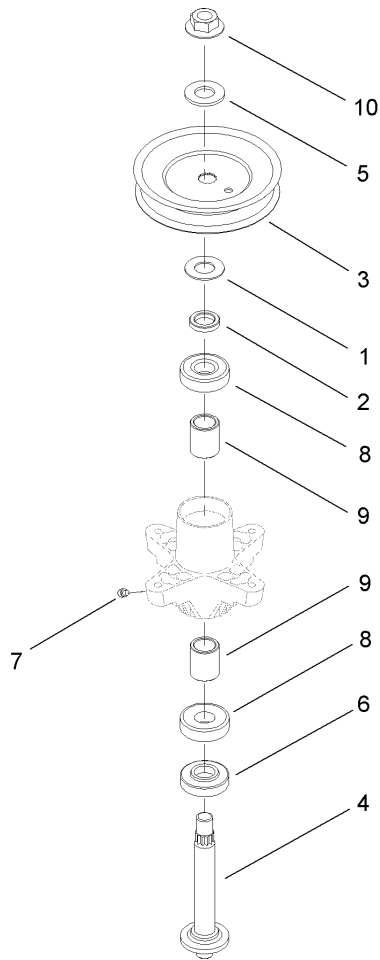
Ref	Part No.	Qty.	Description				
1	112-0819	1	Ring-Wire				
2	112-0756	1	Ring-E				
3	112-0745	1	Washer-Flat				
3	112-0748	1	Washer-Flat				
3	112-0750	1	Washer-Flat				
4	112-0769	1	Washer-Thrust				
5	112-0839	1	Screw-TAP				
6	112-0833	1	Housing-Upper				
7	112-0826	1	Shaft-Input				
8	112-0808	1	Bearing-Needle				
9	112-0807	1	Pinion-Input, 14T				
10	112-0809	1	Ring-Snap				
11	112-5944	1	Sleeve-Bearing				
12	112-0800	1	Seal				
13	112-0823	1	Differential ASM				
14	112-0794	1	Bearing-Flange				
15	112-0796	1	Gear-Bevel, 42T				
16	112-0832	1	Brake ASM				
17	112-0840	1	Collar-Clutch				
18	112-5945	1	Washer-Flat				
19	112-0841	1	Shaft-Drive				
20	112-0755	1	Washer-Thrust				
21	112-0795	1	Bearing-Flange				
22	112-0806	1	Shift Fork ASM				
23	112-0799	1	Ball-Detent				
24	112-0801	1	Spring-Detent				
25	112-0834	1	Housing-Lower				
26	112-0741	1	Puck-Brake				
27	112-0817	1	Disc-Brake				
28	112-0698	1	Screw-HWH				

# Deck Assembly



# Deck Assembly

Ref	Part No.	Qty.	Description				
1	112-0378	1	Bracket-Retain, Hook				
2	112-0370	1	Spindle ASM				
3	112-0413	1	LH Hanger Bracket ASM				
4	112-0702	1	Idler ASM				
5	112-5859	1	Deck And Decal ASM				
5:2	112-1268	1	Decal-Danger, Deck				
5:3	112-1273	1	Decal-Belt Routing, Deck				
5:4	112-1265	1	Decal-Danger				
6	112-0854	1	Stop-Chute				
7	112-0513	1	Screw-HH				
8	112-0472	1	Screw-HH, TAP				
9	112-0373	1	Screw-HH				
10	112-0524	1	Screw-HWHTF				
11	112-0472	1	Screw-HH, TAP				
12	112-0395	1	Screw-HWH				
13	112-0631	1	Screw-HH				
14	112-0452	1	Bolt-CARR				
15	112-0572	1	Washer-Flat				
16	112-0668	1	Nut-Lock, Flange				
17	112-0330	1	Nut-Flange, Hex				
19	112-0385	1	Nut-Lock, Flange				
22	112-0533	1	Chute ASM				
23	112-0412	1	Pin-Cotter				
25	112-0327	1	Gear-Adjustment, Deck				
26	112-0505	1	Pulley-Deck				
27	112-0406	1	Spring-Compression				
28	112-0349	1	Spring				
29	112-0677	1	Wheel-Deck, Front				
30	112-0337	1	Wheel-Deck, Rear				
31	112-0366	1	Washer-Lock				
32	112-0623	1	Retainer-Bolt				
33	112-0564	1	Washer-Flat				
34	112-0926	1	Fitting-Grease				
35	112-0334	1	Bolt-Shoulder				
36	112-5836	1	Bolt-Shoulder				
37	112-0316	1	Blade-17.90 Inch				
38	112-0436	1	Pin-Handle, Deck Release				
39	112-0612	1	Skirt-RH				
40	112-0332	1	Belt-V, Type B				
41	112-0314	1	Pulley-Idler				
42	112-5837	1	Skirt-Center				
43	112-0614	1	Cover-Belt, LH				
44	112-0618	1	Cover-Belt, RH				
45	112-0437	1	Nut-Hex				
46	112-0650	1	Nut-Lock, Flange				

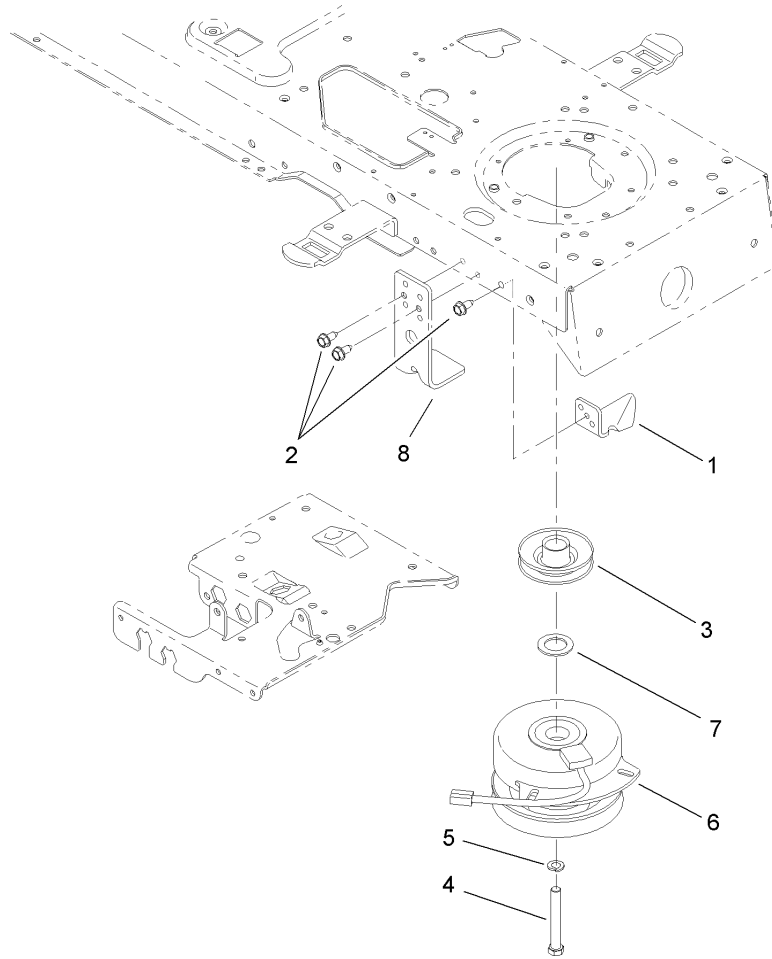


### Spindle Assembly No. 112-0370

Ref	Part No.	Qty.	Description
1	112-5925	1	Washer-Flat
2	112-0600	1	Spacer
3	112-5926	1	Pulley
4	112-0884	1	Shaft-Spindle, Blade (Star)
5	112-0921	1	Washer-Flat
6	112-0721	1	Spacer
7	112-0926	1	Fitting-Grease
8	112-0377	1	Bearing-Ball
9	112-0389	1	Spacer
10	112-0330	1	Nut-Flange, Hex

--	--	--	--

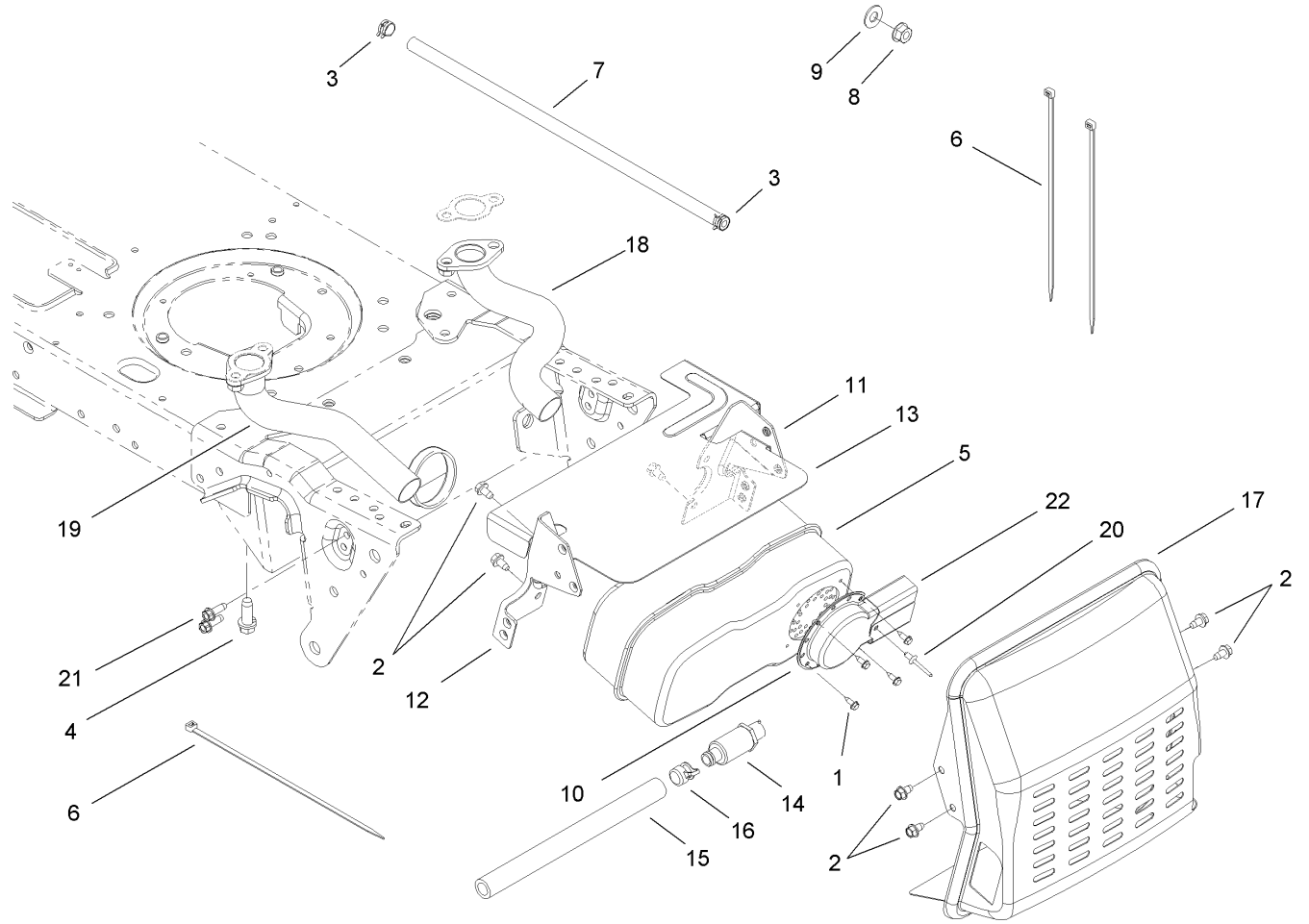




### Electric Clutch Assembly

Ref	Part No.	Qty.	Description
1	112-0571	1	Bracket-Clutch
2	112-0472	1	Screw-HH, TAP
3	112-0322	1	Pulley-Engine
4	112-0561	1	Screw-HH
5	112-0428	1	Washer-Lock
6	112-0913	1	Clutch-Electric, PTO
7	112-0420	1	Washer-Flat
8	112-0689	1	Bracket-Deck, Up Stop

--	--	--	--

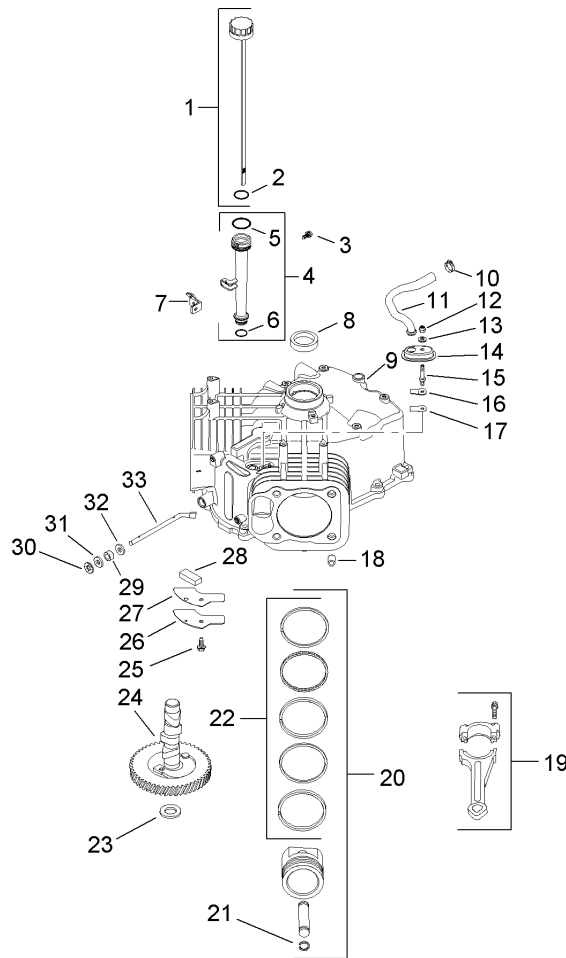


## Muffler Assembly

Ref	Part No.	Qty.	Description
1	112-0626	1	Screw-HWHTF
2	112-0524	1	Screw-HWHTF
3	112-0573	1	Clamp-Hose
4	112-0487	1	Screw-TAP
5	112-0342	1	Muffler-Inlet, Dual
6	112-0527	1	Tie-Cable
7	112-0720	1	Hose-Fuel
8	112-0490	1	Nut-Lock, Flange
9	112-0572	1	Washer-Flat
10	112-0453	1	Deflector-Muffler
11	112-0467	1	Bracket-Muffler, LH
12	112-0466	1	Bracket-Muffler, RH
13	112-0716	1	Shield-Heat
14	112-0388	1	Drain-Oil
15	112-0553	1	Hose-Drain
16	112-0397	1	Cap-Drain, Oil
17	112-0457	1	Muffler Shield ASM
18	112-0391	1	Pipe-Exhaust, LH
19	112-0392	1	Pipe-Exhaust, RH
20	112-3741	1	Rivet-Pop
21	112-0587	1	Screw-HH, TAP
22	112-0730	1	Deflector-Muffler, Long

--	--	--	--



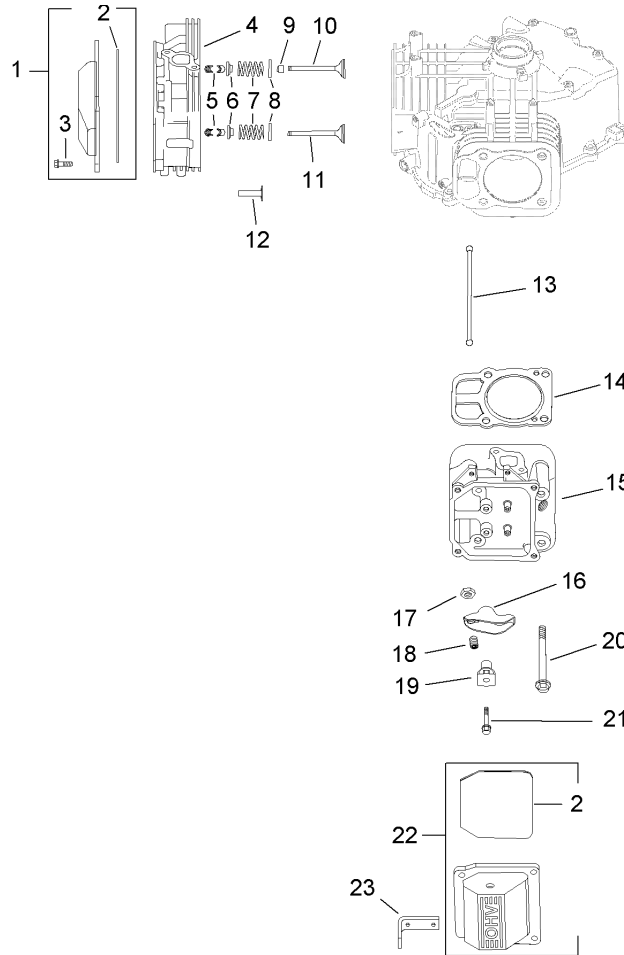


## Crankcase Assembly Kohler SV720-0011

Ref	Part No.	Qty.	Description
❶	32 038 01S	1	Dipstick Kit (Includes 2)
❷	12 153 03S	1	O-Ring
❸	M545016S	1	Screw-Hex Flange, Thread Forming (M5X0.8X16)
❹	12 123 04S	1	Tube-Oil Fill (Includes 5-6)
❺	12 153 02S	1	O Ring-Upper Oil Fill Tube
❻	12 153 01S	1	O Ring-Lower Oil Fill Tube
❼	24 126 19S	1	Bracket-Oil Fill Tube
❽	24 032 01S	1	Seal-Oil
❹❺		1	Crankcase (Use: Short Block 32 522 03)
❿	25 237 14S	1	Clamp-Hose
⓫	32 326 04S	1	Hose-Breather
⓬	M547050S	1	Nut-Lock, Hex (M5X0.8)
⓭	32 468 01S	1	Washer-Sealing
⓮	32 081 02S	1	Housing-Breather
⓯	32 072 02S	1	Stud-Breather Cover
⓰	24 018 04S	1	Retainer-Breather Reed
⓱	24 402 05S	1	Reed-Breather
⓲	24 380 16S	6	Pin-Locating
⓳	24 067 13S	2	Rod-Connecting (Standard)
⓴	32 874 06S	2	Piston W/Ring Set (Standard) (Includes 21-22)
⓵	24 018 01S	4	Retainer-Piston Pin
⓶	24 108 11S	2	Ring Set (Standard)

Ref	Part No.	Qty.	Description
⓷	12 422 10S	1	Shim-Camshaft (Yellow)
⓸	12 422 09S	1	Shim-Camshaft (Red)
⓹	12 422 13S	1	Shim-Camshaft (Black)
⓺	12 422 07S	1	Shim-Camshaft (White)
⓻	12 422 08S	1	Shim-Camshaft (Blue)
⓼	12 422 11S	1	Shim-Camshaft (Green)
⓽	12 422 12S	1	Shim-Camshaft (Gray)
⓿	32 012 01S	1	Camshaft Kit
⓾	M645016S	1	Screw-Hex Flange, Thread Forming (M6X1.0X16)
⓿	32 096 04S	1	Cover-Breather
⓿	32 041 01S	1	Gasket-Breather Cover
⓿	32 050 01S	1	Filter-Breather
⓿	28 032 09S	1	Seal-Governor Cross Shaft
⓿	24 018 09S	1	Ring-Retainer
⓿	M931010S	1	Washer-Flat (8 Mm)
⓿	24 468 15S	1	Washer-Flat (1/4)
⓿	24 144 38S	1	Shaft-Governor Cross

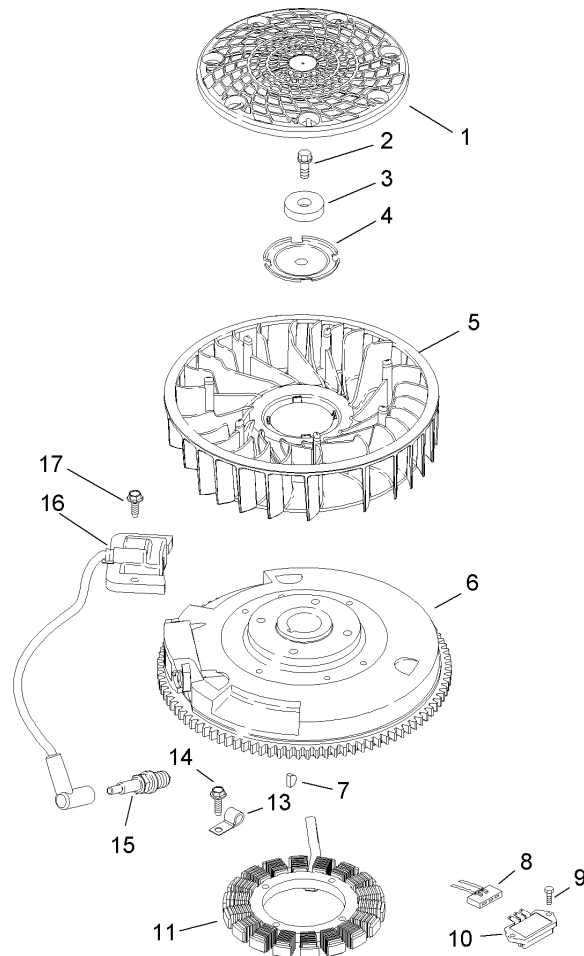




## Head, Valve and Breather Assembly Kohler SV720-0011

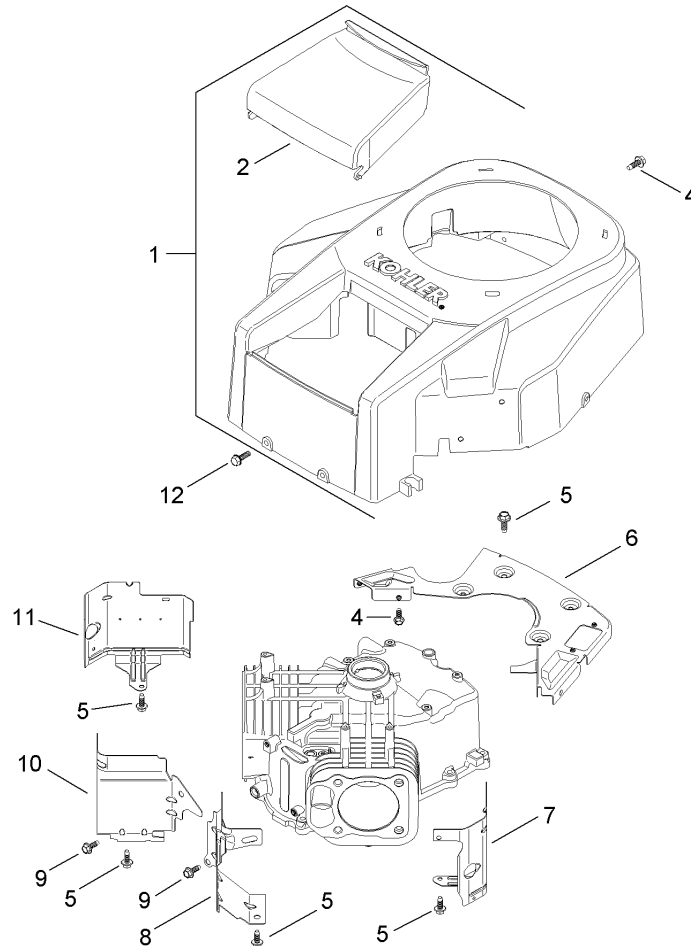
Ref	Part No.	Qty.	Description
❶1	24 755 141S	1	Plain Valve Cover Kit [qty. 4] (Includes 2-3)
❶2	24 153 28S	1	O Ring
❶3	M651030S	8	Screw-Hex Flange (M6X1.0X30)
❶4	32 318 01S	1	No. 1 Cylinder Head ASM
❶5	12 755 03S	8	Retainer Kit
❶6	12 173 01S	4	Cap-Valve Spring
❶7	24 089 02S	4	Spring-Valve
❶8	235011S	4	Retainer-Spring
❶9	66 032 05S	2	Seal-Valve Stem
❶10	24 017 01S	2	Valve-Intake (Standard)
❶10	24 017 02S	2	Valve-Intake (.25)
❶11	24 016 01S	2	Valve-Exhaust (Standard)
❶11	24 016 02S	2	Valve-Exhaust (.25)
❶12	32 019 01S	4	Tappet
❶13	32 411 02S	4	Rod-Push
❶14	24 841 03S	2	Cylinder Head Gasket Kit (Includes head Mounting Hardware And 24 041 49S, 24 153 27S)
❶15	32 318 02S	1	No. 2 Cylinder Head ASM
❶16	32 186 02S	4	Arm-Rocker
❶17	32 100 04S	4	Nut-Hex (M10X0.75)
❶18	32 086 03S	4	Screw-Set
❶19	32 599 01S	4	Pivot-Rocker Arm

Ref	Part No.	Qty.	Description
❶20	12 086 16S	8	Screw-Hex Flange (M10X1.5X90)
❶21	32 086 04S	4	Screw-Hex Flange (M6X1.0X45)
❶22	32 096 06S	1	Valve Cover Breather Kit (Includes 2)
❶23	24 445 01S	1	Strap-Lifting
❶❶24	24 041 49S	1	Gasket-Exhaust Manifold
❶❶25	24 153 27S	1	O Ring-Intake Port



## Ignition and Electrical Assembly Kohler SV720-0011

Ref	Part No.	Qty.	Description				
1	32 162 03S	1	Screen-Grass				
2	12 086 14S	1	Screw-Hex Flange (M10X1.5X45)				
3	12 468 03S	1	Washer-Flat (3/8)				
4	20 146 02S	1	Plate-Fan Mounting				
5	32 157 01S	1	Fan				
6	32 025 08S	1	Flywheel				
7	X4215S	1	Key				
8	236602S	1	Connector (3 Contact)				
9	M551016S	2	Screw-Heavy Hex Flange (M5X0.8X16)				
10	41 403 09S	1	Rectifier-Regulator				
11	32 085 01S	1	15 Amp Stator Kit				
13	235173S	1	Clip-Cable				
14	M548025S	2	Screw-Hex Head, Thread Forming (M5X0.8X25)				
15	77-7330	1	Plug-Spark				
16	24 584 01S	2	Module-Ignition				
17	M545020S	4	Screw-Hex Flange, Thread Forming (M5X0.8X20)				
18	32 176 04S	1	Harness-Wiring				
19	25 454 03S	2	Tie-Wire				

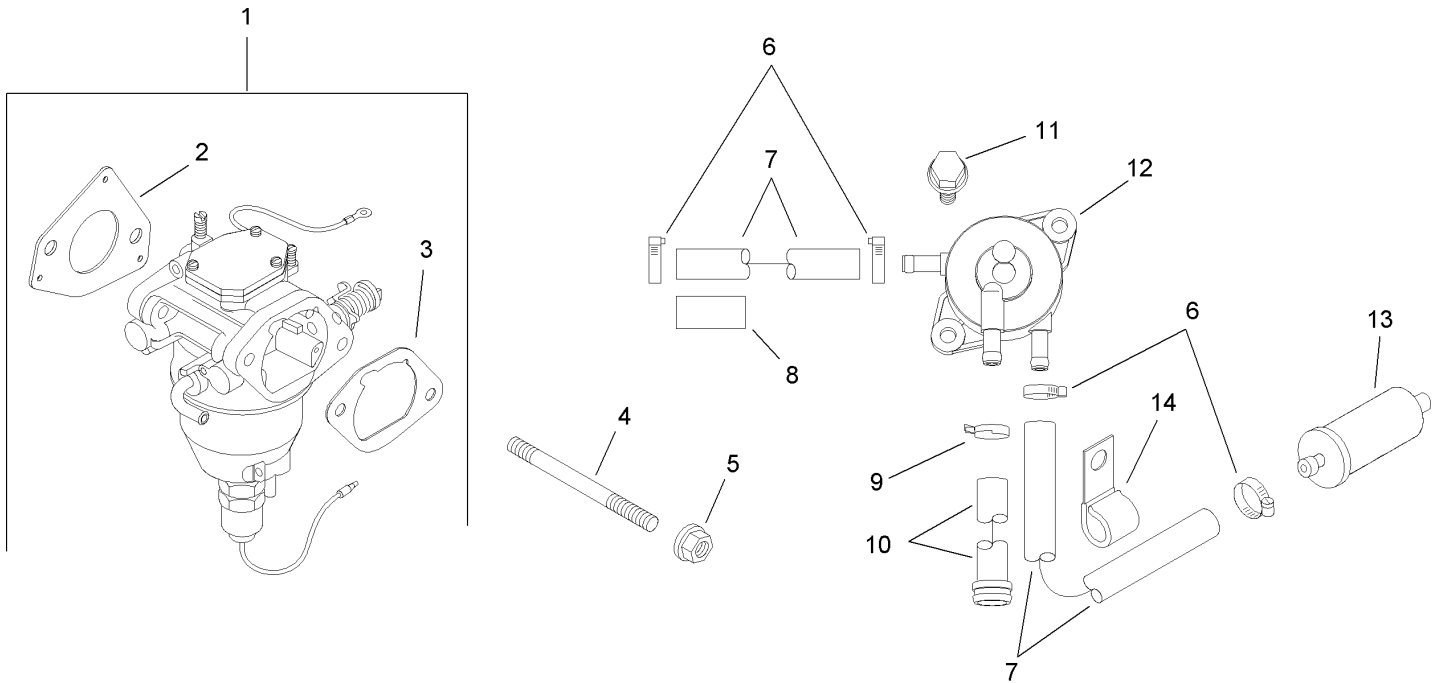


## Blower Housing and Baffle Assembly Kohler SV720-0011

Ref	Part No.	Qty.	Description				
❶	32 027 03S	1	Housing-Blower (Includes 2 And 41 037 10S)				
❷	32 096 08S	1	Cover-Air Cleaner				
❹	M545016S	6	Screw-Hex Flange, Thread Forming (M5X0.8X16)				
❸	M645016S	8	Screw-Hex Flange, Thread Forming (M6X1.0X16)				
❻	32 146 05S	1	Plate-Backing W/Rectifier-Regulator Opening				
❼	32 063 05S	1	Baffle-Cylinder Barrel, No. 2 Side				
❽	32 063 02S	1	Baffle-Valley, No. 2 Side				
❾	M545010S	2	Screw-Hex Flange, Thread Forming (M5X0.8X10)				
❿	32 063 03S	1	Baffle-Valley, No. 1 Side				
⓫	32 063 06S	1	Baffle-Cylinder Barrel, No. 1 Side				
⓬	24 086 12S	2	Screw-Hex Cap (M6X1.7X18)				
Ⓜ	41 037 10S	1	Nameplate-Service				



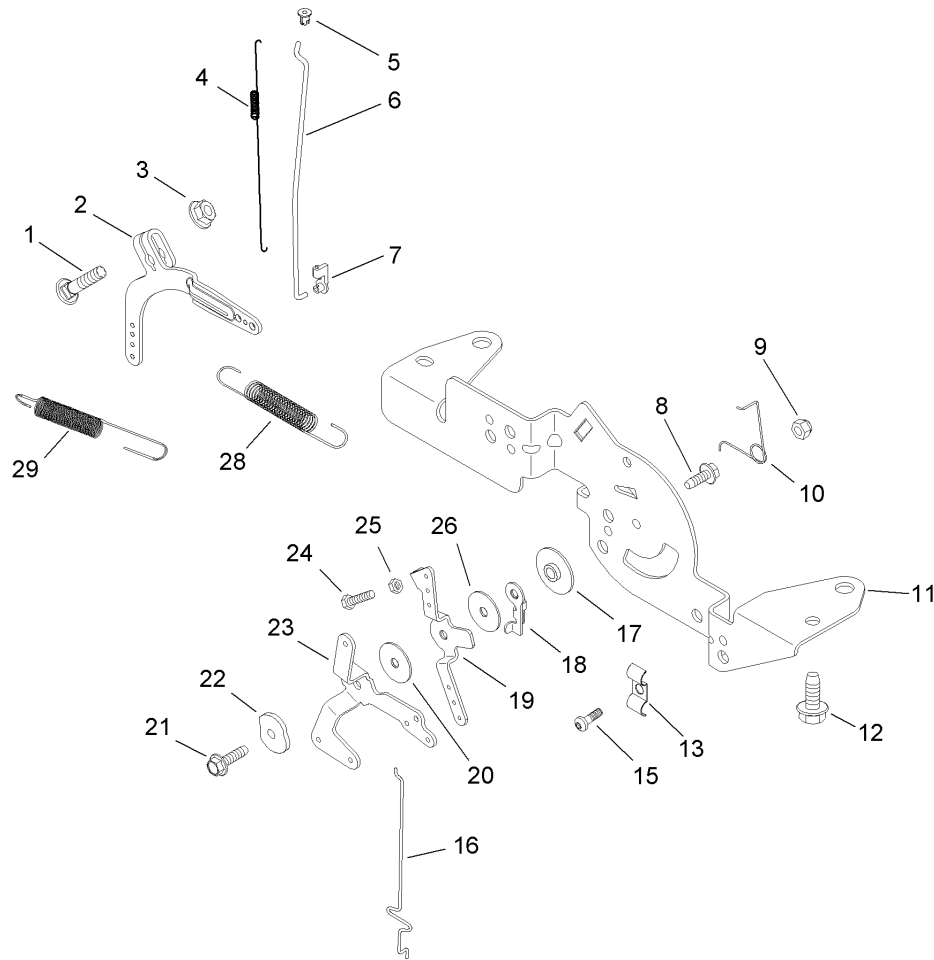




## Fuel System Assembly Kohler SV720-0011

Ref	Part No.	Qty.	Description
1	32 853 03S	1	Carburetor Kit W/Gaskets (Includes 2-3)
2	24 041 52S	1	Gasket-Carburetor
3	24 041 14S	1	Gasket-Air Cleaner Base
4	M629105S	2	Stud-Carburetor
5	M641060S	2	Nut-Hex Flange (M6X1.0)
6	25 237 14S	4	Clamp-Hose
7	25 111 34S	2	Line-Fuel (24 Inch, Cut to needed length)
8	25 431 10S	1	Sleeve-Antiabration
9	25 237 01S	1	Clamp-Hose
10	32 326 02S	1	Hose-Fuel Pump
11	24 086 12S	2	Screw-Hex Cap (M6X1.7X18)
12	24 393 16S	1	Pump-Pulse Fuel
13	98021	1	Filter-Fuel
14	47 154 01S	1	Clip-Cable
15	24 757 36S	1	Service Choke Repair Kit
16	24 757 38S	1	Service Gasket Repair Kit
17	24 757 44S	1	Float Kit W/Gaskets
18	24 757 45S	1	Solenoid Valve Kit W/Gaskets
19	24 757 46S	1	Overhaul Kit W/Gaskets
20	24 757 18S	1	Overhaul Kit W/Gaskets (Includes float kit)
21	24 757 19S	1	Service Choke Repair Kit
22	24 757 20S	1	Service Gasket Repair Kit

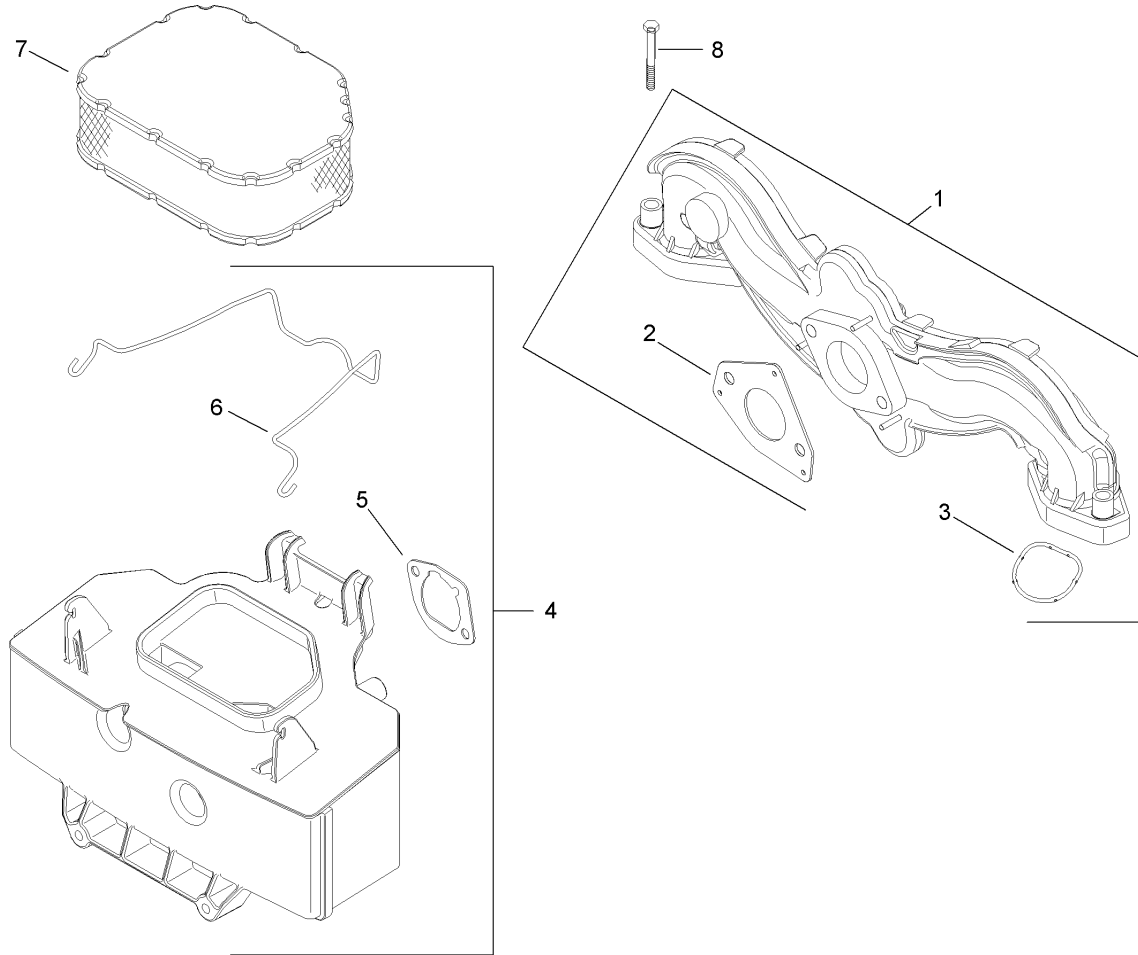
Ref	Part No.	Qty.	Description
23	24 757 22S	1	Solenoid Valve Kit W/Gaskets



## Engine Control Assembly Kohler SV720-0011

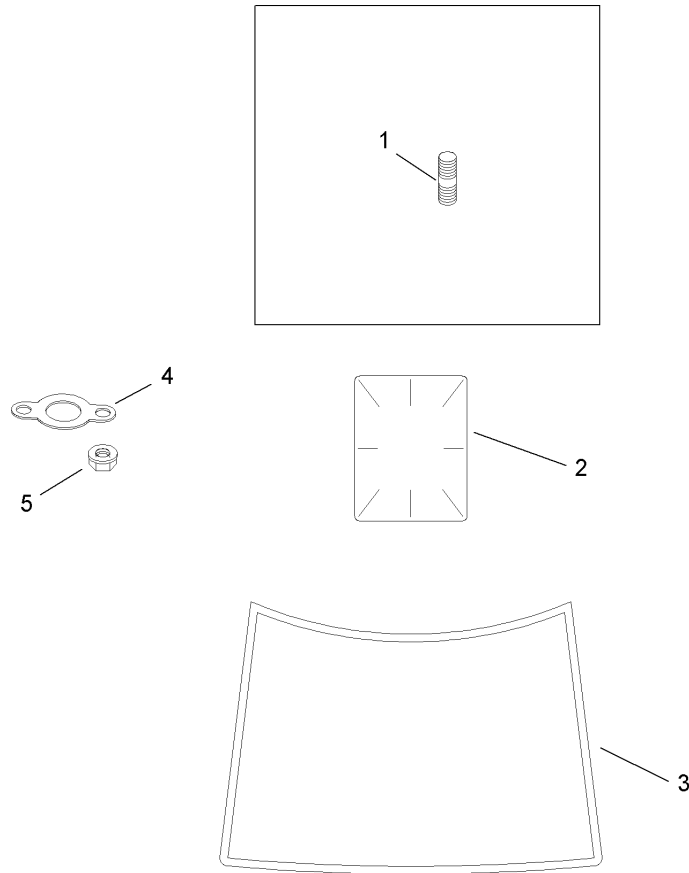
Ref	Part No.	Qty.	Description
❶	24 211 03S	1	Bolt-Round Head Square Neck
❷	24 090 33S	1	Lever-Governor
❸	M641060S	1	Nut-Hex Flange (M6X1.0)
❹	24 089 01S	1	Spring-Linkage
❺	25 158 08S	1	Bushing-Linkage Retaining
❻	24 079 04S	1	Linkage-Throttle
❼	25 158 11S	1	Bushing-Throttle Linkage
❽	M545016S	1	Screw-Hex Flange, Thread Forming (M5X0.8X16)
❾	M547050S	1	Nut-Lock, Hex (M5X0.8)
❿	24 089 03S	1	Spring-Choke Return
⓫	24 126 161S	1	Bracket-Control
⓬	M645016S	4	Screw-Hex Flange, Thread Forming (M6X1.0X16)
⓭	47 237 02S	1	Clamp-Dual Conduit
⓮	24 086 43S	1	Screw-Thread Forming
⓯	24 079 22 S	1	Linkage-Choke
⓰	24 112 27S	1	Spacer-Control ASM
⓱	24 090 47S	1	Lever-Throttle Actuator
⓲	24 090 13S	1	Lever-Throttle Control
⓳	24 468 01S	1	Washer-Flat (5.5 Mm)
⓴	M545020S	1	Screw-Hex Flange, Thread Forming (M5X0.8X20)
⓵	41 468 03S	1	Washer-Spring (1/4)
⓶	24 090 05S	1	Lever-Choke

Ref	Part No.	Qty.	Description
⓸	M403025S	1	Screw-Hex Head Cap (M4X0.7X25)
⓹	M446030S	1	Nut-Hex (M4X0.7)
⓺	24 468 20S	1	Washer-Flat
⓻	24 089 55S	1	Spring-Governor
⓼	24 089 25S	1	Spring-Governor



## Air Intake and Filtration Assembly Kohler SV720-0011

Ref	Part No.	Qty.	Description
❶	24 164 51S	1	Manifold-Intake (Includes 2-3)
❷	24 041 52S	1	Gasket-Carburetor
❸	24 153 27S	2	O Ring-Intake Port
❹	32 094 03S	1	Base-Air Cleaner (Includes 5-6)
❺	24 041 14S	1	Gasket-Air Cleaner Base
❻	32 344 02S	1	Latch-Air Cleaner Element
❼	98019	1	Element-Air Cleaner
❽	M651040S	4	Screw-Hex Flange (M6X1.0X40)

Artwork is representative.

Actual labels may differ depending on model and specification number.

## Exhaust Stud, Gasket and Decal Assembly Kohler SV720-0011

Ref	Part No.	Qty.	Description
❶	25 072 04S	4	Stud (M8X1.25X33)
❷	25 113 39S	1	Decal-Clear Laminate
❸	32 113 12S	1	Decal-22 Hp
❹	24 041 49S	1	Gasket-Exhaust Manifold
❺	M841080S	4	Nut-Hex Flange (M8X1.25)
❶❷	32 522 03	1	Short Block
❶❸	32 755 01S	1	Overhaul Kit

--	--	--	--

# Attachments and Accessories

## For 13AP60RP544 - LX500 Lawn Tractor

Product Name	Model/Part
Washout Port Kit .....	112-5803
42 Inch Two-Stage Snowthrower .....	190-032-101
50 Inch Triple Bagger .....	190-192-190
46 Inch Front Blade .....	190-833-000
8 Inch Rear Wheel Weight Kit .....	59159
Spark Plug .....	77-7330
50 Inch Mulch Kit .....	77220
10 cu. ft. Dump Cart .....	79901
10 cu. ft. Poly Dump Cart .....	79935
Folding Loading Ramp .....	79949
Sweeper .....	79985
Tire Chain Kit .....	82722
Filter-Air .....	98019
Filter-Oil .....	98020
Filter-Fuel .....	98021
Blade Kit (3 Blades, 50 Inch Decks) .....	98024

# NOTES

