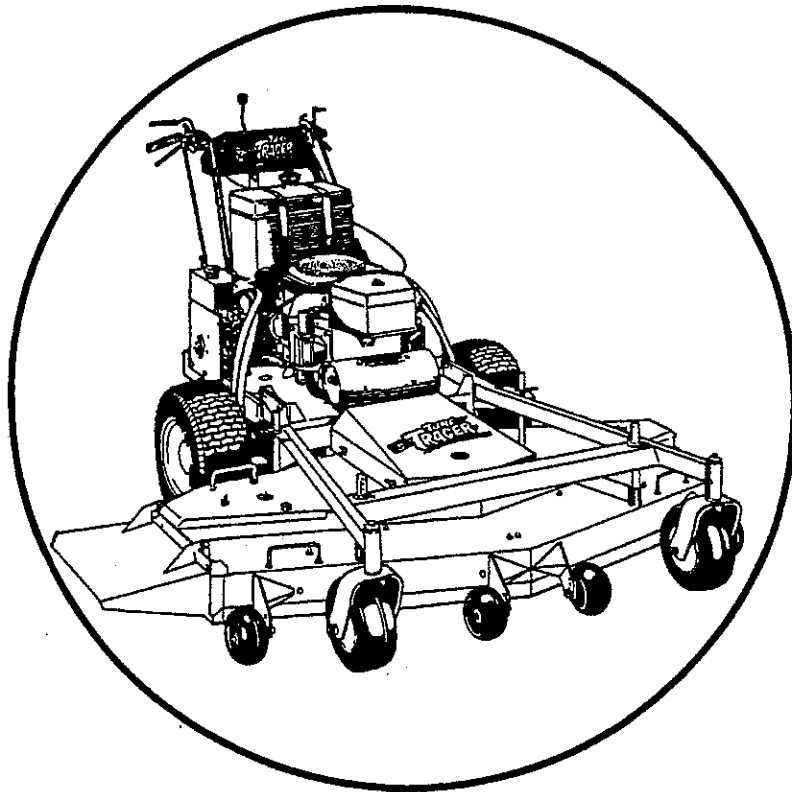




For Serial Nos.  
115,000 and Higher

# TURF TRACER HYDRO



## Parts Manual

**CONGRATULATIONS** on the purchase of your new Exmark mower. This product has been carefully designed and manufactured to give you a maximum amount of dependability and years of trouble-free operation.

If additional information is needed, or should you require trained mechanic service, contact your authorized Exmark equipment dealer or distributor.

If you need to order replacement parts from your dealer, always give the model number and serial number of your mower as well as the part number, description and quantity of the part needed.

The Serial No. plate is located on the top front engine frame on the right hand side of the machine and for the deck is on front support pin gusset on right hand side of deck.

For ease of ordering and reference, we suggest that you record the information requested in the following identification table.

Tractor Model No. \_\_\_\_\_

Tractor Serial No. \_\_\_\_\_

Deck Model No. \_\_\_\_\_

Deck Serial No. \_\_\_\_\_

Date Purchased \_\_\_\_\_

Purchased From \_\_\_\_\_

# EXMARK PARTS PLUS® PROGRAM

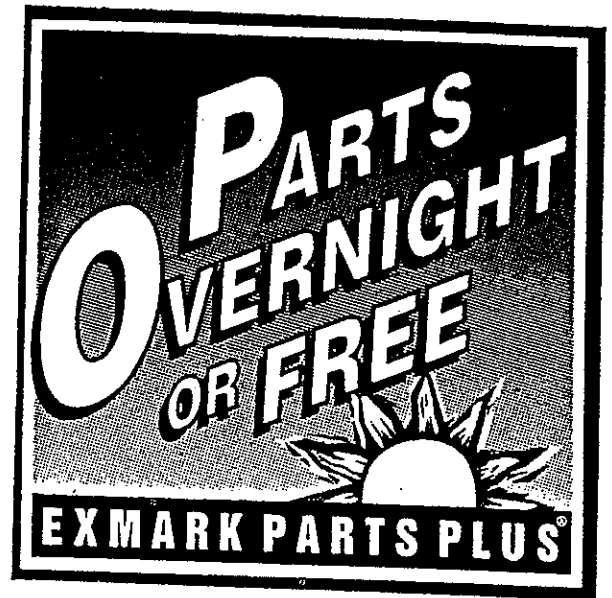
EFFECTIVE DATE: September 1, 1995

## Program

If your Exmark dealer does not have the Exmark part in stock, Exmark will get the parts to the dealer the next business day or the part will be FREE\* Guaranteed!!

## *How the Program Works*

1. If dealer does not have part in stock for a "down" unit at the time of request by customer, the dealer contacts his distributor by 1:00 p.m., local time, and requests Exmark Parts Plus® shipment of six (6) line items or less.
2. Distributor ships part(s) to dealer or customer, as requested by dealer, same day, overnight UPS. Distributor bills dealer for part and freight charges where applicable.
3. If distributor does not have the part(s) in stock to satisfy Exmark Parts Plus® order, he contacts Exmark by 3:00 p.m., central time, with an Exmark Parts Plus® order of six (6) line items or less.
4. If order is received by 3:00 p.m. central time, Exmark ships part(s) direct to dealer or customer, as requested by distributor, same day, overnight UPS. Exmark bills the distributor for parts and shipping charges, where applicable.
5. The customer pays for the part and freight if it is shipped under the Exmark Parts Plus® and if it arrive in accordance to the program.
6. Who pays for the part and freight if it fails to arrive overnight in accordance to the program?
  - A. Under any circumstance the customer does not pay.
  - B. If the part does not arrive overnight due to:
    1. The dealer not submitting the Exmark Parts Plus® order to his Exmark distributor by 1:00 p.m., the dealer pays for the part and freight.
    2. The Distributor being unable to ship the part the same day or not submitting the Exmark Parts Plus® order to Exmark by 3:00 p.m., central time, the Distributor pays for the part and freight.
    3. Exmark being unable to ship the part and the Exmark parts order is received by 3:00 p.m., central time, Exmark pays for the part and freight.
    4. If the part does not arrive overnight due to the shipper (UPS), the shipper pays for the freight and Exmark pays for the part.



**The following restrictions apply** -- The Exmark Parts Plus® Program is available only through participating Exmark Dealers and applies only to orders submitted on this program Monday through Thursday. UPS has initiated a Saturday delivery program to many areas of the continental United States and can be requested for an overnight shipment on Friday to be delivered Saturday. The next day air charge, plus the Saturday delivery fee will be the responsibility of the purchaser. Exmark Mfg. will assume no responsibility for Saturday delivery shipments. To qualify, all Exmark Parts Plus® orders must be received by Exmark by 3:00 p.m., central time. Orders must be six (6) line items or less. Exclusions from the Exmark Parts Plus® Program are: Any wholegood or accessory in its entirety, engines and engine replacement parts, 5-speed Peerless transmissions and 5-speed transaxles, hydraulic or hydrostatic wheel motors, cutter decks and engine decks or any item exceeding United Parcel Service size and weight restrictions.

Due to UPS restrictions, aerosol spray paint is considered a hazardous material and cannot be shipped via UPS next day or Second Day Air.

Exmark Manufacturing stocks a limited supply of parts for transaxles, pumps and wheel motors. These parts can be ordered for Next Day Air shipment but will not be guaranteed per the Parts Plus Program.

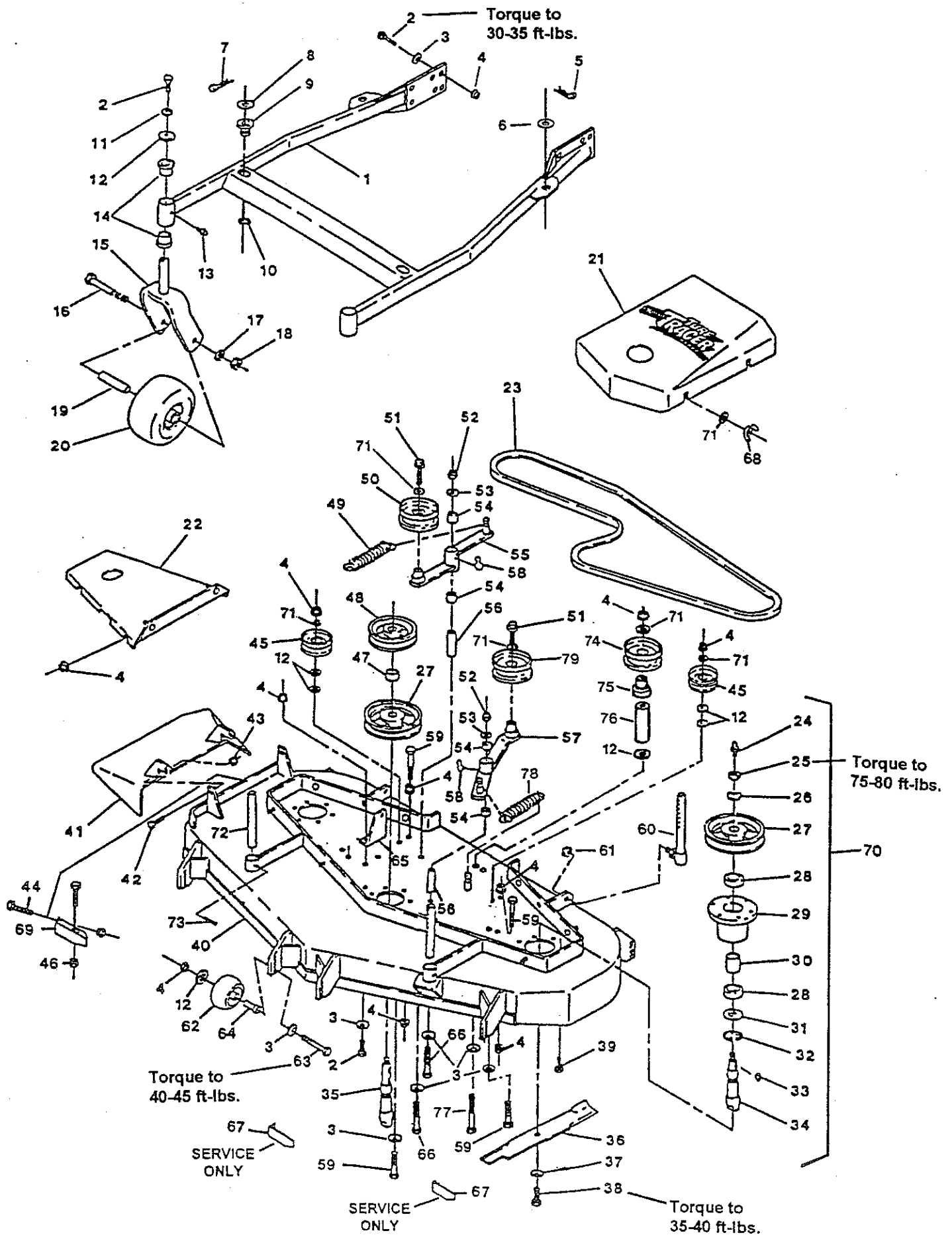
# **WARNING**

**READ OPERATOR'S OPERATOR'S MANUAL BEFORE  
OPERATING OR SERVICING EXMARK EQUIPMENT.**

## **TABLE OF CONTENTS**

<u><b>Description</b></u>	<u><b>Page</b></u>
Decals .....	11
Electrical Diagrams .....	14
Electrical Group.....	13
Engine Deck Group.....	8 - 9
52" Mower Deck .....	2 - 3
Flow Control Baffles .....	6
Fuel Group .....	12
Handles & Controls .....	10
Hydraulics Group .....	7
60" Mower Deck .....	4 - 5

# 52" MOWER DECK



## 52" MOWER DECK

Ref. No.	Part No.	Description	Qty. Req'd.	Ref. No.	Part No.	Description	Qty. Req'd.
1	604960	Support, deck 612092 w/ bushings & decals.....	1	40	602961	Deck, 612007 with support rods & baffle .....	1
2	800292	Capscrew, 3/8-16 x 1 .....	12	41	602571	Chute, discharge .....	1
3✧	303327	Washer, disc spring 3/8.....	20	42	800273	Capscrew, 5/16-18 x 1 .....	2
4✧	809007	Nut, whizlock 3/8-16 .....	30	43	804256	Nut, nylock 5/16-18 .....	2
5	806006	Hairpin, 5/8 .....	2	44	800270	Capscrew, 5/16-18 x 5/8 .....	13
6	303164	Spacer, blade driver .....	2	45	303516	Pulley, V-Idler .....	2
7	806007	Hairpin, 7/8 .....	2	46	809001	Nut, whizlock 5/16-18 .....	8
8	513338	Washer .....	2	47	603504	Spacer, tube .....	1
9	513336	Bushing, deck support.....	2	48	603581	Sheave, mower drive.....	1
10	808507	Ring, retaining (external).....	2	49	603413	Spring, extension.....	1
11	805006	Washer, lock 3/8 hvy spring ...	2	50	603497	Pulley, idler .....	1
12✧	373034	Washer, pivot .....	13	51	803016	Screw, whizlock 3/8-16 x 1.....	2
13	811001	Zerk, 1/8 NPT (straight).....	2	52	804257	Nut, nylock 3/8-16 .....	2
14	303514	Bearing, flange thrust .....	4	53	805260	Washer, 3/8 .....	2
15	522143	Fork, caster .....	2	54	513034	Bearing, pivot.....	4
16	800334	Capscrew, 1/2-13 x 6 .....	2	55	602604	Idler arm assy w/bearings .....	1
17	805008	Washer, lock 1/2.....	2		602591	Arm, deck idler .....	1
18	804509	Nut, 1/2-13.....	2	56	603384	Bushing, idler pivot .....	2
19	513547	Spacer, front caster .....	2	57	602865	Idler arm, w/bearings deck drive .....	1
20	513648	Tire/wheel assy, 9 x 3.50-4 ....	2		602867	Arm, deck drive idler.....	1
	513807	Wheel .....	2	58	811008	Zerk, 1/4-28 (90°) .....	2
	513808	Tire 9 x 3.50-4 .....	2	59	800297	Capscrew, 3/8-16 x 2-1/4 .....	4
	513809	Bearing .....	2	60	603540	Link, rear deck support.....	2
	513810	Bushing .....	4	61	803031	Nut, torque 3/8-24 .....	2
21	612047	Cover with decal, (deck drive belt).....	1	62	603299	Roller, anti scalp.....	6
22	602545	Cover, deck .....	2	63	800807	Capscrew, 3/8-16 x 4 .....	6
23	603576	Belt, blade drive.....	1	64	603602	Bushing, roller.....	6
24	811006	Zerk, 1/4-28 (straight).....	3	65	603620	Bracket, spring anchor .....	1
25	804510	Nut, 5/8-18 UNF .....	3	66	800805	Capscrew, 3/8-16 x 3 1/2 .....	2
26	513208	Spring, disk.....	3	67†	602911	Baffle .....	2
27	513207	Sheave, blade drive.....	3	68	543678	Wingnut, nylock .....	4
28	303543	Bearing, ball 305K.....	6	69	602913	Baffle .....	1
29	513186	Housing, bearing .....	3	70	604621	Housing, cutter complete (center) .....	1
30	513188	Spacer, bearing .....	3		604262	Housing, cutter complete (outer) .....	2
31	513193	Seal, dust .....	3	71✧	805259	Washer, 3/8 SAE Flat.....	9
32	808506	Snap ring, 2.59 x 08TK.....	3	72	603001	Rod, deck support .....	2
33	807006	Key, woodruff #61 .....	4	73	806332	Roll pin, 1/4 x 1-1/2.....	2
34	603031	Spindle, outer blade.....	2	74	603805	Idler.....	1
35	603022	Spindle, center blade.....	1	75✧	513791	Bushing.....	1
36	603637	Blade, 18" diameter .....	3	76✧	603494	Spacer .....	1
	603844	Blade, low lift .....	3	77✧	800302	Capscrew, 3/8-16 x 4 .....	1
‡	603873	Blade, mulching.....	3	78✧	603414	Spring, extension.....	1
	613101	Blade, Notched.....	3	79	613098	Pulley, Flat Idler.....	1
37	513435	Washer, disc spring 1/2.....	3				
38	800531	Capscrew, 1/2-20 x 1 (RH).....	3				
39	809035	Bolt, taptite 3/8-16 x 1 .....	18				

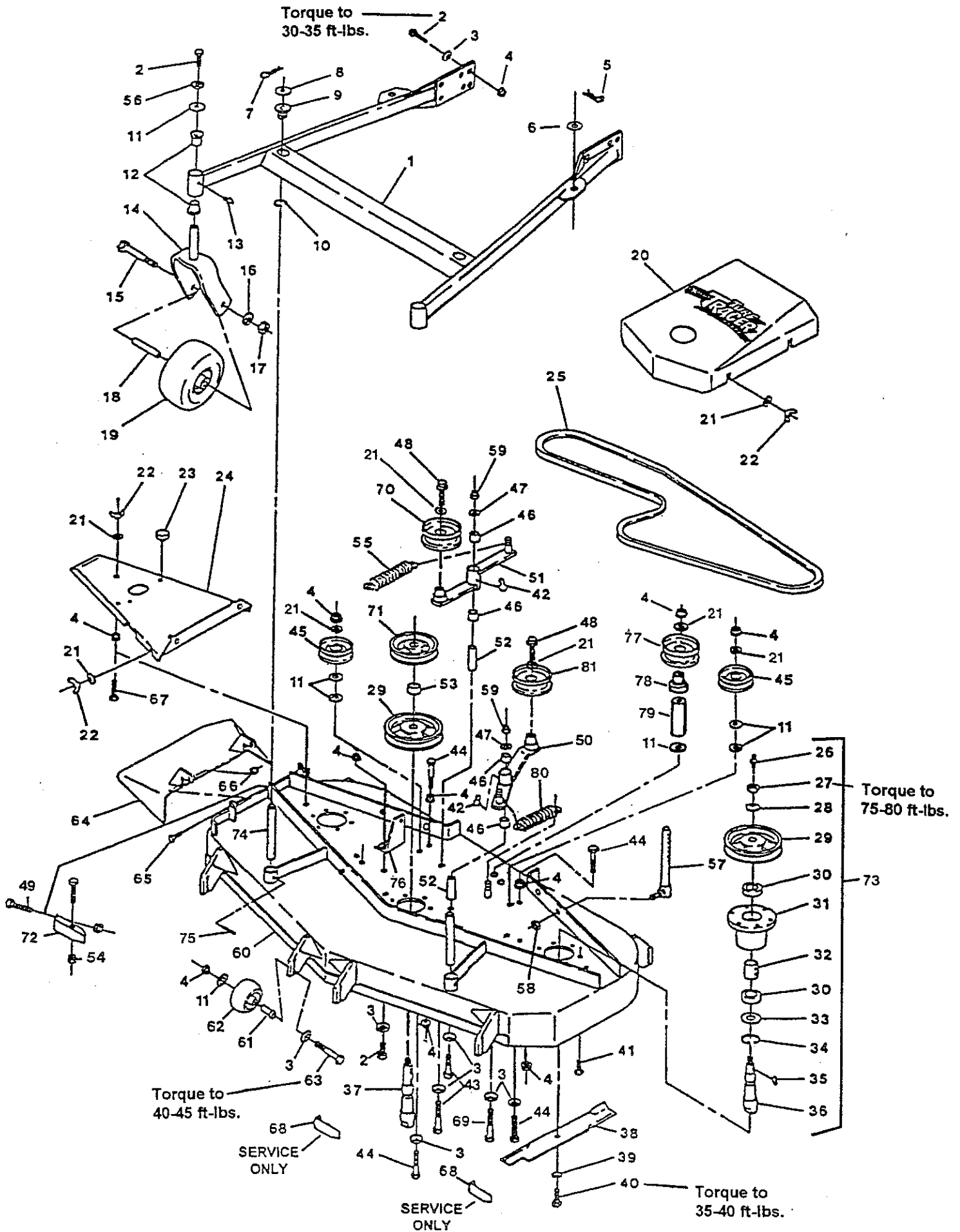
‡ Requires installation of Micro-Mulch accessory for proper mulching.

† Service only. Requires (2 ea.) 809001 Ref No. 46 and (2 ea.) 800270 Ref. No. 44, for installation.

✧ These parts are available in an Idler Pulley Kit (Part No. 601806). Each kit contains one item each of the referenced item number.

# 60" MOWER DECK

Torque to  
30-35 ft.-lbs.



## 60" MOWER DECK

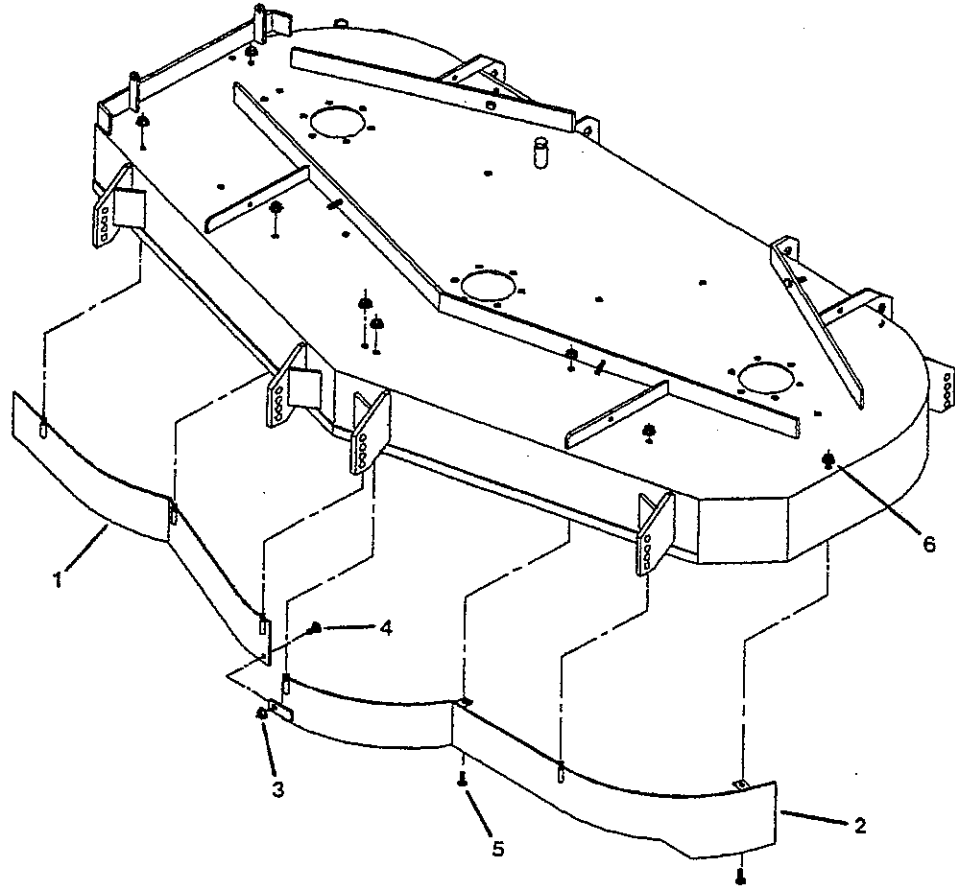
Ref. No.	Part No.	Description	Qty. Req'd.	Ref. No.	Part No.	Description	Qty. Req'd.
1	604847	Support, deck 612094 w/ bushings & decals.....	1	40	800531	Capscrew, 1/2-20 x 1 (RH).....	3
2	800292	Capscrew, 3/8-16 x 1 .....	8	41	809035	Bolt, tapite 3/8-16 x 1.....	18
3↕	303327	Washer, disc spring 3/8.....	12	42	811008	Zerk, 1/4-28 (90°).....	2
4↕	809007	Nut, whizlock 3/8-16 .....	24	43	800805	Capscrew, 3/8-16 x 3.5 .....	2
5	806006	Hairpin, 5/8 .....	2	44	800297	Capscrew, 3/8-16 x 2-1/4 .....	4
6	303164	Spacer, blade driver .....	2	45	303516	Pulley, V-idler .....	2
7	806007	Hairpin, 7/8 .....	2	46	513034	Bearing, pivot.....	4
8	513338	Washer .....	2	47	805260	Washer, 3/8 stdn flat .....	2
9	513336	Bushing, deck support.....	2	48	803016	Bolt, whizlock 3/8-16 x 1.....	2
10	808507	Ring, retaining (external).....	2	49	800270	Capscrew, 5/16-18 x 5/8 .....	9
11↕	373034	Washer, pivot .....	13	50	602867	Arm, deck drive idler.....	1
12	303514	Bearing, flange thrust .....	4		602865	Idler arm assy, deck drive (with bearings).....	1
13	811001	Zerk, 1/8 NPT (straight).....	2	51	602591	Arm, deck idler .....	1
14	522143	Fork, caster .....	2		602604	Idler arm, w/bearings.....	1
15	800334	Capscrew, 1/2-13 x 6 .....	2	52	603384	Bushing, idler pivot.....	2
16	805008	Washer, lock 1/2.....	2	53	603504	Spacer, tube .....	1
17	804509	Nut, 1/2-13.....	2	54	809001	Nut, whizlock 5/16-18 .....	9
18	513547	Spacer, front caster .....	2	55	603413	Spring, extension.....	1
19	513648	Tire/whl assy, 9 x 3.50-4 .....	2	56	805006	Washer, lock 3/8 (hvy spring) .....	2
	513807	Wheel .....	2	57	603540	Link, rear deck support.....	2
	513808	Tire 9 x 3.50-4 .....	2	58	803031	Nut, torque 3/8-24 .....	2
	513809	Bearing .....	2	59	804257	Nut, nylock3/8-16 .....	2
	513810	Bushing .....	4	60	602962	Deck, 612003 with support rods & baffle .....	1
20	612048	Cover w/decals (deck drv belt) .....	1		603602	Bushing, roller.....	6
21↕	805259	Washer, 3/8 SAE Flat.....	15	61	603299	Roller, anti scalp .....	6
22	543678	Wingnut, nylon insert.....	10	62	800807	Capscrew, 3/8-16 x 4 (Gr 8)...	6
23	513291	Bumper, seat.....	2	63	542606	Chute, discharge .....	1
24	542588	Cover, deck .....	2	64	800273	Capscrew, 5/16-18 x 1 .....	2
25	603045	Belt, blade drive.....	1	65	804256	Nut, nylock 5/16-18 .....	2
26	811006	Zerk, 1/4-28 (straight).....	3	66	800031	Tapbolt, 3/8-16 x 2 3/4 .....	2
27	804510	Nut, 5/8-18 UNF .....	3	67	602911	Baffle .....	2
28	513208	Washer, disc spring.....	3	68†	800302	Capscrew, 3/8-16 x 4 (Gr 5)...	1
29	513207	Sheave, blade drive.....	3	69↕	603497	Pulley, idler .....	1
30	303543	Bearing, ball 305K.....	6	70	613024	Sheave, mower drive.....	1
31	513186	Bearing, housing .....	3	71	602913	Baffle .....	1
32	513188	Spacer, bearing .....	3	72	604262	Cutter housing, (outer, cmplt) .....	2
33	513193	Seal, dust .....	3		614025	Cutter housing, (cntr, cmplt) ..	1
34	808506	Snap ring, 2.59 x 08TK.....	3	73↕	603001	Rod, deck support .....	2
35	807006	Key, woodruff 5/8 x 3/16.....	4	74	806332	Roll pin, 1/4 x 1-1/2.....	2
36	603031	Spindle, outer blade.....	2	75	603620	Bracket, spring anchor .....	1
37	603022	Spindle, center blade.....	1	76	603805	Idler .....	1
38	603283	Blade, 20 1/2" diameter .....	3	77	513791	Bushing.....	1
	603661	Blade, low lift .....	3	78↕	603494	Spacer .....	1
‡	603874	Blade, mulching.....	3	79↕	603414	Spring, extension.....	1
	613072	Blade, Notched.....	3	80↕	613098	Pulley, Flat Idler.....	1
39	513435	Washer, 1/2 disc spring.....	3	81			

‡ Requires installation of Micro-Mulch accessory for proper mulching.

† Service only. Requires (2 ea.) 809001 Ref. No. 54 and (2 ea.) 800270 Ref. No. 49, for installation.

↕ These parts are available in an Idler Pulley Kit (Part No. 601806). Each kit contains one item each of the referenced item number.

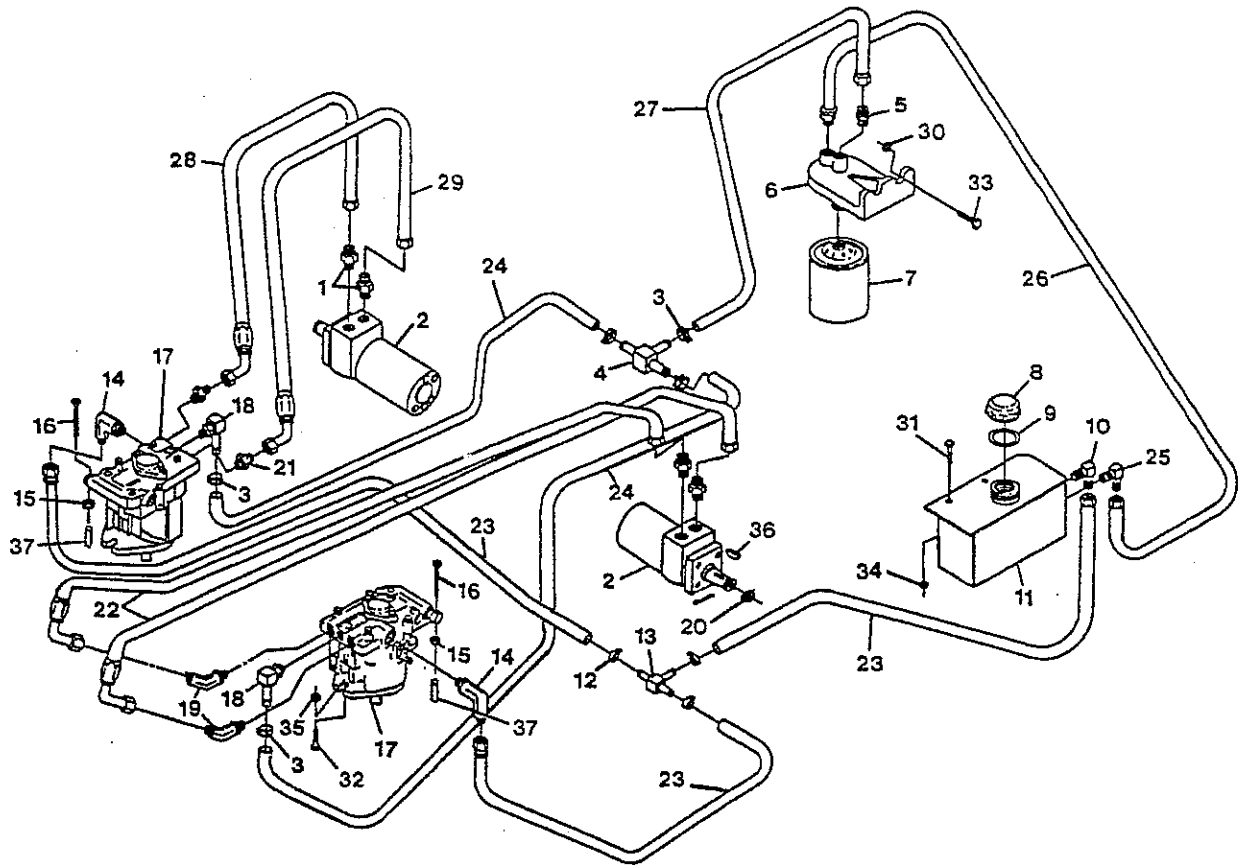
# FLOW CONTROL BAFFLES 52" & 60"



Ref. No.	Part No.	Description	Qty. Req'd.	Ref. No.	Part No.	Description	Qty. Req'd.
1	632377	Baffle Weldment RH 52" .....	1	3	809012	Nut, 1/4-20 Whizloc.....	1
	632235	Baffle Weldment RH 60" .....	1		4	807512	Bolt, 1/4-20x3/4 Carriage.....
2	632375	Baffle Weldment LH 52" .....	1	5	800270	Screw, 5/16-18x5/8 (52" deck)	2
	632237	Baffle Weldment LH 60" .....	1		6	809001	Nut, 5/16-18 Whizloc.....



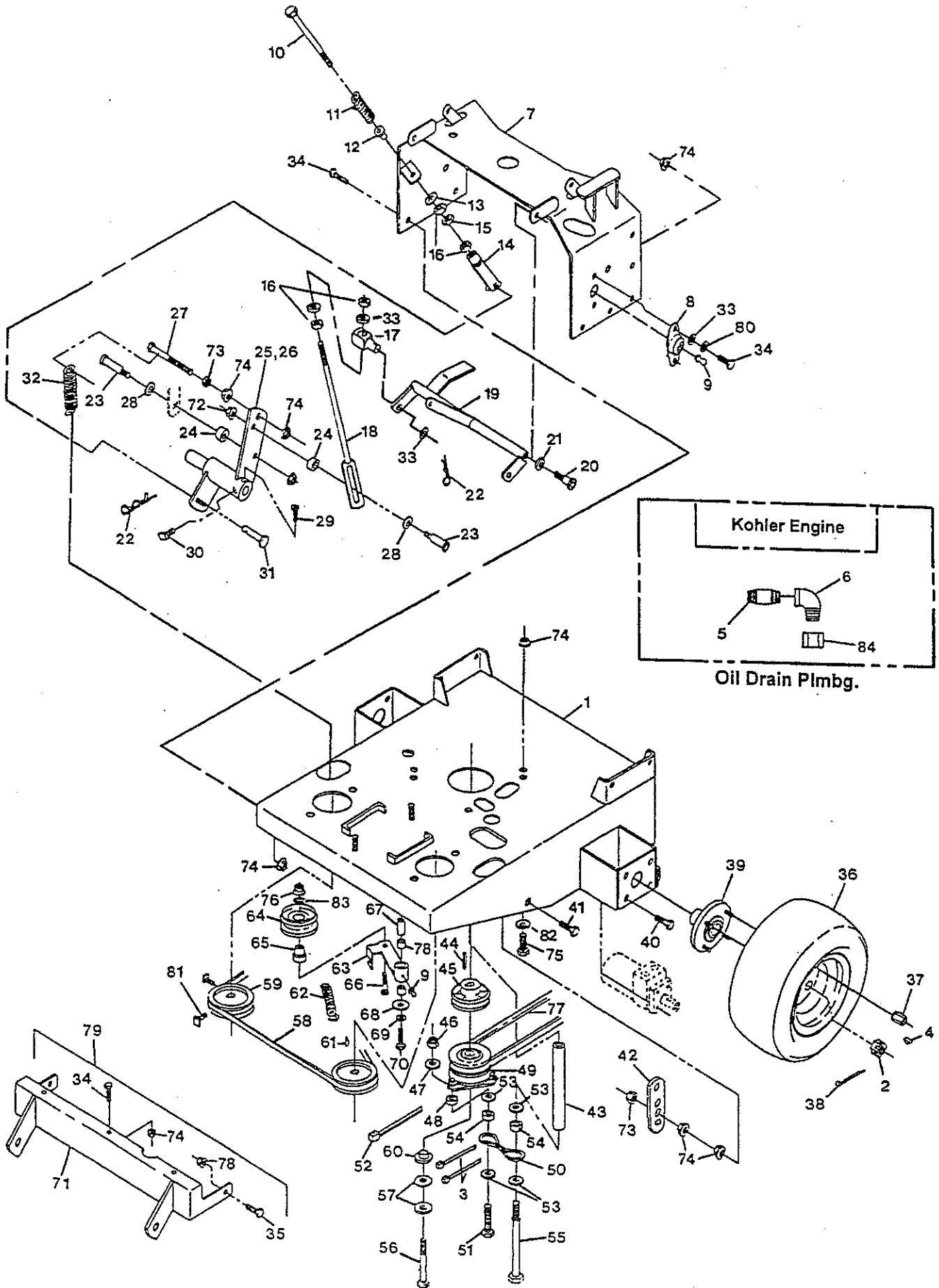
## HYDRAULICS GROUP



Ref. No.	Part No.	Description	Qty. Req'd.	Ref. No.	Part No.	Description	Qty. Req'd.
1	603991	Fitting, straight connector .....	4	19	523221	Elbow, 45° .....	2
	603919	Boss O-Ring .....	1		603992	Flare O-Ring .....	1
	603992	Flare O-Ring .....	1		603920	Boss O-Ring .....	1
2	603718	Motor, wheel .....	2	20	803040	Nut, 3/4-16-2B slotted .....	2
3	603827	Clamp, hose .....	5	21	603990	Adapter, straight thread .....	2
4	603721	Fitting, 1/2 hose tee .....	1		603920	Boss O-Ring .....	1
5	513510	Connector, male .....	1		603992	Flare O-Ring .....	1
6	603720	Head, filter .....	1	22	603981	Hose, hydro (RH) .....	2
7	513211	Element, oil filter .....	1	23	602750	Hose assy, case drain .....	3
8	513167	Cap, hydraulic reservoir .....	1	24	603986	Hose assy, charge pump .....	2
9	523103	Gasket, hydr. tank cap .....	1	25*	603988	Elbow, 90° .....	1
10*	603987	Elbow, 90° .....	1	26	602985	Hose assy, supply .....	1
11	512166	Reservoir, hydraulic fluid .....	1	27	602754	Hose assy, charge line .....	1
12	603826	Clamp, hose .....	3	28	613034	Hose, hydro (LH) .....	1
13	603722	Fitting, 3/8 hose tee .....	1	29	323241	Hose, hydro (LH) .....	1
14	513840	Elbow, 90° .....	2	30	809001	Nut, whizlock 5/16-18 .....	2
	603921	O-Ring .....	1	31	800252	Screw, 1/4-20 x 3/4 .....	2
15	804255	Nut, nylock 1/4-20 .....	2	32	800292	Screw, 3/8-16 x 1 .....	4
16	801060	Screw, 1/4-20 x 2 pan hd slt ...	2	33	800274	Screw, 5/16-18 x 1 1/4 .....	2
17	613042	Pump, hydro .....	2	34	809012	Nut, whizlock 1/4-20 .....	2
18	603989	Elbow, 90° .....	2	35	809007	Nut, whizlock 3/8-16 .....	4
	603923	O-Ring .....	1	36	807019	Key, woodruff 1 x 1/4 .....	2
				37	613073	Grip, Dump Valve .....	2

\* Use Teflon Pipe Sealant or equivalent on hydraulic reservoir fittings and filter head fittings.

# ENGINE DECK GROUP



## ENGINE DECK GROUP

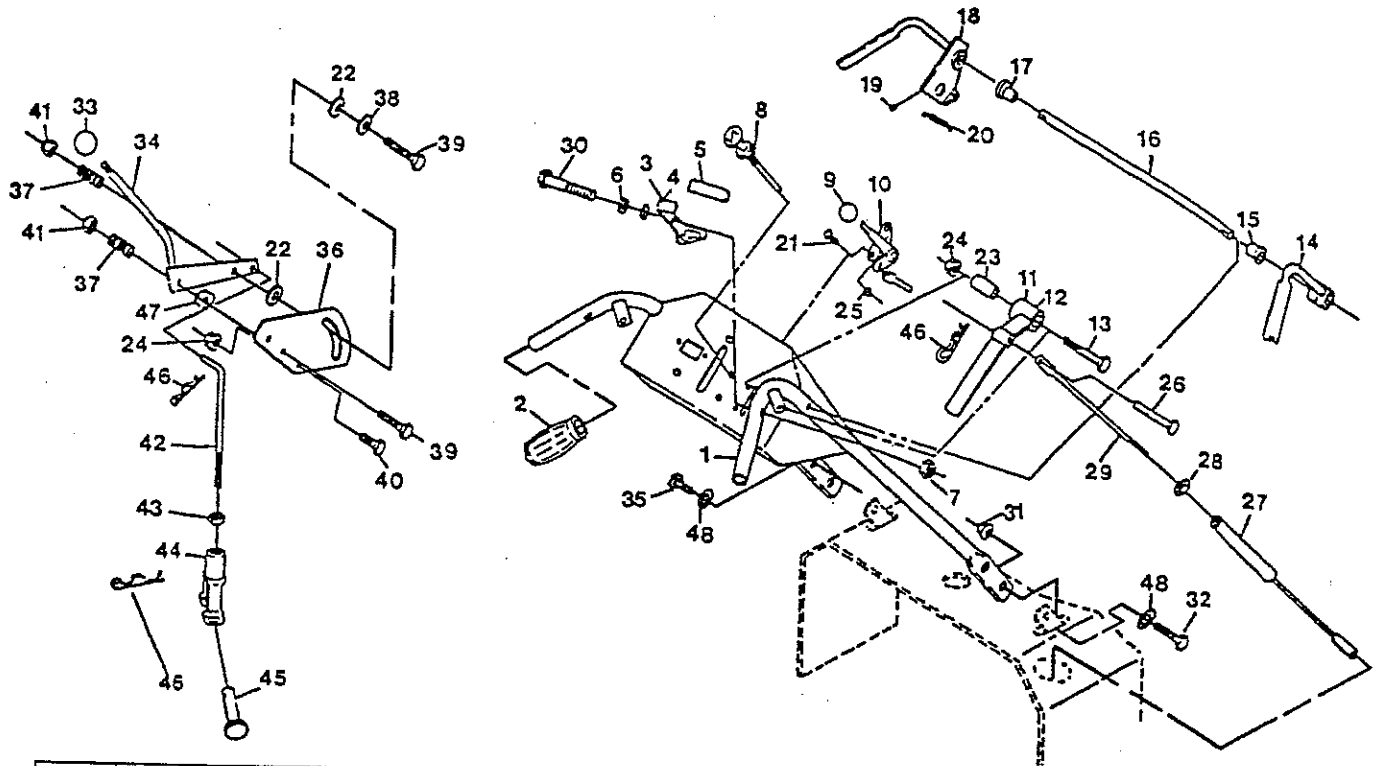
Ref. No.	Part No.	Description	Qty. Req'd.	Ref. No.	Part No.	Description	Qty. Req'd.
1	602944	Engine Deck Weldment.....	1	44	807259	Key, 1/4 x 1/4 x 1 .....	1
2	803040	3/4-16-2B Slotted Hex Nut .....	2	45	603589	Sheave, 4 1/4 O.D. ....	1
3	303287	Plastic Tie.....	2	46	804256	Nut, nylock 5/16-18.....	1
4	807019	Key, woodruff 1" x 2 1/2" .....	2	47	805258	Washer, 5/16.....	1
5*	543064	Pipe nipple.....	1	48	323093	Spacer, neutral return .....	1
6*	403124	Elbow, 90° Street.....	1	49◇	601979	Kit, clutch (Warner Electric) ....	1
7	602744	Support, tank/handle .....	1	50	602974	Cable assy .....	1
8	543514	Bearing, flange, side mount....	2	51	800275	Screw, 5/16-18 x 1-1/2.....	1
9	811006	Zerk, grease 1/4-28 (straight).	3	52	303335	Plastic Tie - Large .....	2
10	603737	Bolt, neutral return.....	2	53	213069	Washer, 1 1/2" dia.....	4
11	603807	Spring, neutral return.....	2	54	543007	Spacer, clutch anchor .....	2
12	603735	Bearing, nylon flanged.....	2	55	800286	Screw, 5/16-18 x 6.....	1
13	805256	Washer, 1/4 .....	2	56▽	800819	Screw, 7/16-20 x 2 1/2.....	1
14	303105	Yoke, adjustable.....	2	57	603610	Spring, disc 7/16 .....	2
15	804758	Nut, jam 5/16-24 .....	2	58	603809	Belt, hydro trans drive .....	1
16	804521	Nut, 5/16-24.....	8	59	603778	Sheave, pump.....	2
17	603676	Swivel .....	2	60	603609	Bushing, clutch keeper.....	1
18	602742	Rod, control arm.....	2	61	807272	Key, 5 mm sq x 25 mm .....	2
19	602695	Crank weldment .....	1	62	603402	Spring, extension .....	1
20▽	809056	Screw, 3/8 x 3/8 sckt hd shld..	2	63	602521	Idler arm assy, w/bearings (engine deck) .....	1
21	805259	Washer, 3/8 .....	2		602458	Arm, idler.....	1
22	806003	Hairpin, cotter.....	4	64	603843	Pulley, idler.....	1
23▽	809057	Screw, 5/16 x 3/4 sckt hd shld	4	65	603496	Bushing, idler .....	1
24	603903	Spacer .....	4	66	807517	Screw, 3/8-16 x 1-3/4.....	1
25	602671	Arm, control (RH) .....	1	67	603044	Bushing, idler pivot.....	1
26	602673	Arm, control (LH).....	1	68	373034	Washer, pivot.....	1
27	800274	Screw, 5/16-18 x 1-1/4 .....	2	69	805006	Washer, lock 3/8 (heavy) .....	1
28	805257	Washer, 5/16 .....	4	70	800298	Screw, 3/8-16 x 2 1/2.....	1
29▽	809058	Screw, 10-24 x 3/4 sckt hd.....	2	71	602438	Hitch, wldmnt.....	1
30▽	803022	Setscrew, 5/16-18 x 5/8.....	2	72	809012	Nut, whizlock 1/4-20.....	4
31	808280	Clevis pin.....	2	73	804256	Nut, nylock 5/16-18 .....	4
32	603693	Spring, extension.....	2	74	809001	Nut, whizlock 5/16-18.....	24
33	805257	Washer, 5/16 .....	10	75	800275	Screw, 5/16-18 x 1-1/2.....	3
34	800271	Screw, 5/16-18 x 3/4 .....	12	76	809007	3/8-16 Whizlock Nut.....	5
35	800292	Screw, 3/8-16 x 1 .....	2	77	611022	Belt/Shield Kit (60") .....	1
36	603627	Tire and wheel assembly.....	2		603306	Belt/Dk Drive (60") .....	1
	603763	Tire only.....	1		611023	Belt/Shield Kit (52") .....	1
	603715	Rim only .....	1		603306	Belt/Dk Drive (52") .....	1
37	513011	Nut, wheel .....	8	78	513034	Bearing, pivot.....	2
38	806800	Pin, cotter .....	2	79	601000	Hitch, Sulky .....	1
39	602997	Hub, 4 bolt (taper) .....	2	80	805005	Washer, lock 5/16 (heavy) .....	4
		Use Anti-Seize Compound on tapered bore of hub		81▽	803050	Setscrew, 5/16-18 x 3/4 .....	4
40	803045	Screw, whizlock 3/8-16 x 3/4..	8	82	303334	Washer, spring disc 5/16 .....	4
41	800016	Bolt, tap 5/16-18 x 1 1/4 .....	2	83	805259	Washer, 3/8 SAE Flat.....	1
42	613089	Anchor, spring .....	2	84*	543233	Cap 3/8 NPT Hex.....	1
43	603469	Standoff, clutch.....	1				

\* Use Teflon Pipe Sealant or equivalent on threads.

▽ Use (Part No. 840022) Pro-lock, nut type (.5 ml tube) on threads.

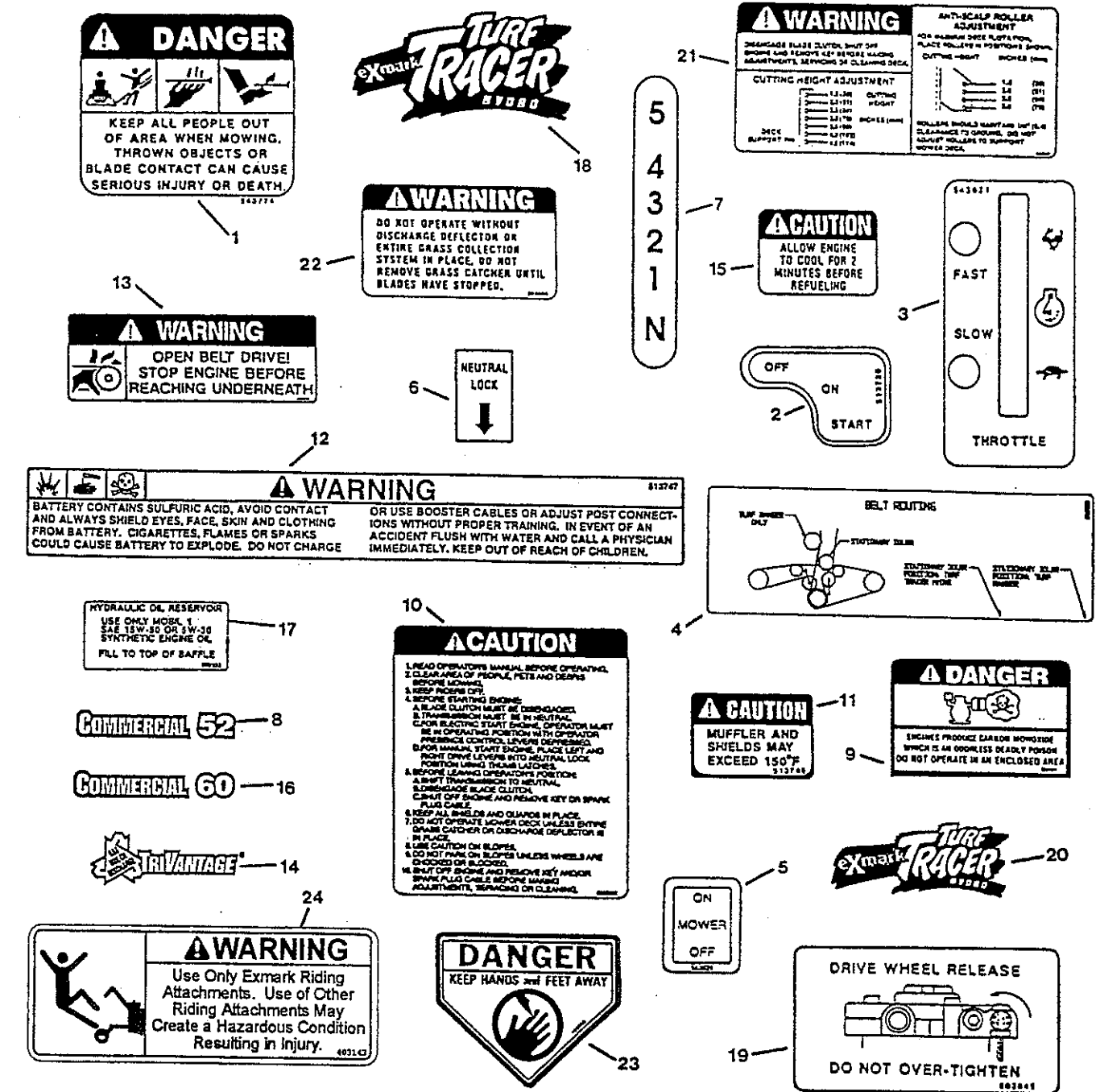
◇ For units with Serial No.'s 87,765 or lower, replace electric clutch with Clutch Kit, Part No. 601979. This kit includes the new Warner clutch and the necessary parts to install this kit to your unit.

## HANDLE AND CONTROLS



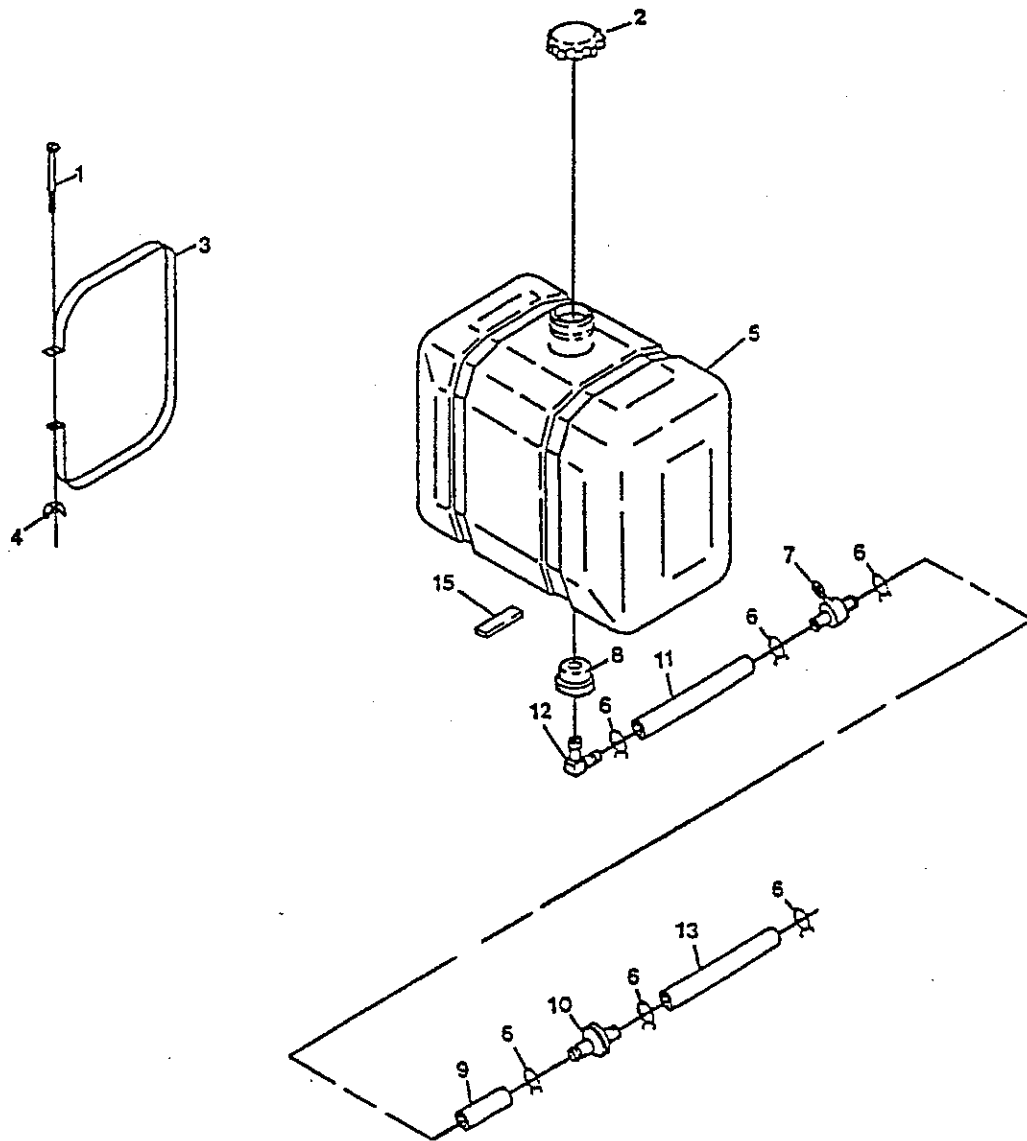
Ref. No.	Part No.	Description	Qty. Req'd.	Ref. No.	Part No.	Description	Qty. Req'd.
1	602740	Handle wldmnt, hydro .....	1	25	804252	Nut, nylock 10-24 .....	2
2	303097	Grip, handle .....	2	26	613055	Pin, clevis .....	2
3	602771	Latch, hydro drive lever (LH) ..	1	27	612081	Housing weldment .....	2
4	602772	Latch, hydro drive lever (RH) ..	1	28	804507	Nut, 3/8-16 .....	2
5	303019	Grip, vinyl latch .....	2	29	613058	Rod, brake lever .....	2
6	303435	Washer, disc spring 1/4 .....	4			Use Anti-Seize Compound on threads	
7	804255	Nut, nylock 1/4-20 .....	2	30	800257	Screw, 1/4-20 x 1-3/4 .....	2
8	603336	Choke control push/pull .....	1	31	809007	Nut, whizlock 3/8-16 .....	4
9	513592	Knob, red ball .....	1	32	800292	Screw, 3/8-16 x 1 .....	3
10	603199	Throttle control .....	1	33	603175	Knob, 1-3/8 .....	1
11	602839	Drive lever (RH) .....	1		840022	Pro-Lock, Nut Type (.5 ml tube)	
12	602837	Drive lever (LH) .....	1			Use on Knob Threads	
13	800256	Screw, 1/4-20 x 1-1/2 .....	2	34	602733	Lever, shifter .....	1
14	302138	Lever Weldment - OPC (RH) ..	1	35	800293	Screw, 3/8-16 x 1-1/4 .....	1
15	303365	Bushing, nylon .....	1	36	603730	Plate, shifter lever .....	1
16	303364	Rod, connecting .....	1	37	323245	Spring, compression .....	2
17	303369	Bushing, flanged .....	1	38	603716	Washer, friction .....	1
18	602507	Lever (OPC) .....	1	39	800277	Screw, 5/16-18 x 2 .....	2
	840023	Pro-Lock Retaining 1 (.5cc Tube)		40	800251	Screw, 1/4-20 x 5/8 .....	2
		Use on inside bore of OPC Hub		41	804256	Nut, nylock 5/16-18 .....	2
		(See Operator's Manual)		42	603700	Rod, speed control .....	1
19	803322	Setscrew .....	2	43	804758	Nut, jam 5/16 .....	1
	840022	Pro-Lock, Nut Type (.5 ml tube)		44	303105	Yoke, adjustable .....	1
		Use on setscrews		45	808280	Pin, clevis .....	1
20	303363	Actuator Spring .....	1	46	806003	Hairpin, cotter .....	3
21	807513	Screw, 10-24 x 1/2 .....	2	47	805257	Washer 5/16 .....	1
22	323244	Washer, friction .....	2	48	303327	Washer, spring disk .....	4
23	603749	Bushing, drive lever .....	2				
24	809012	Nut, whizlock 1/4-20 .....	4				

# DECALS



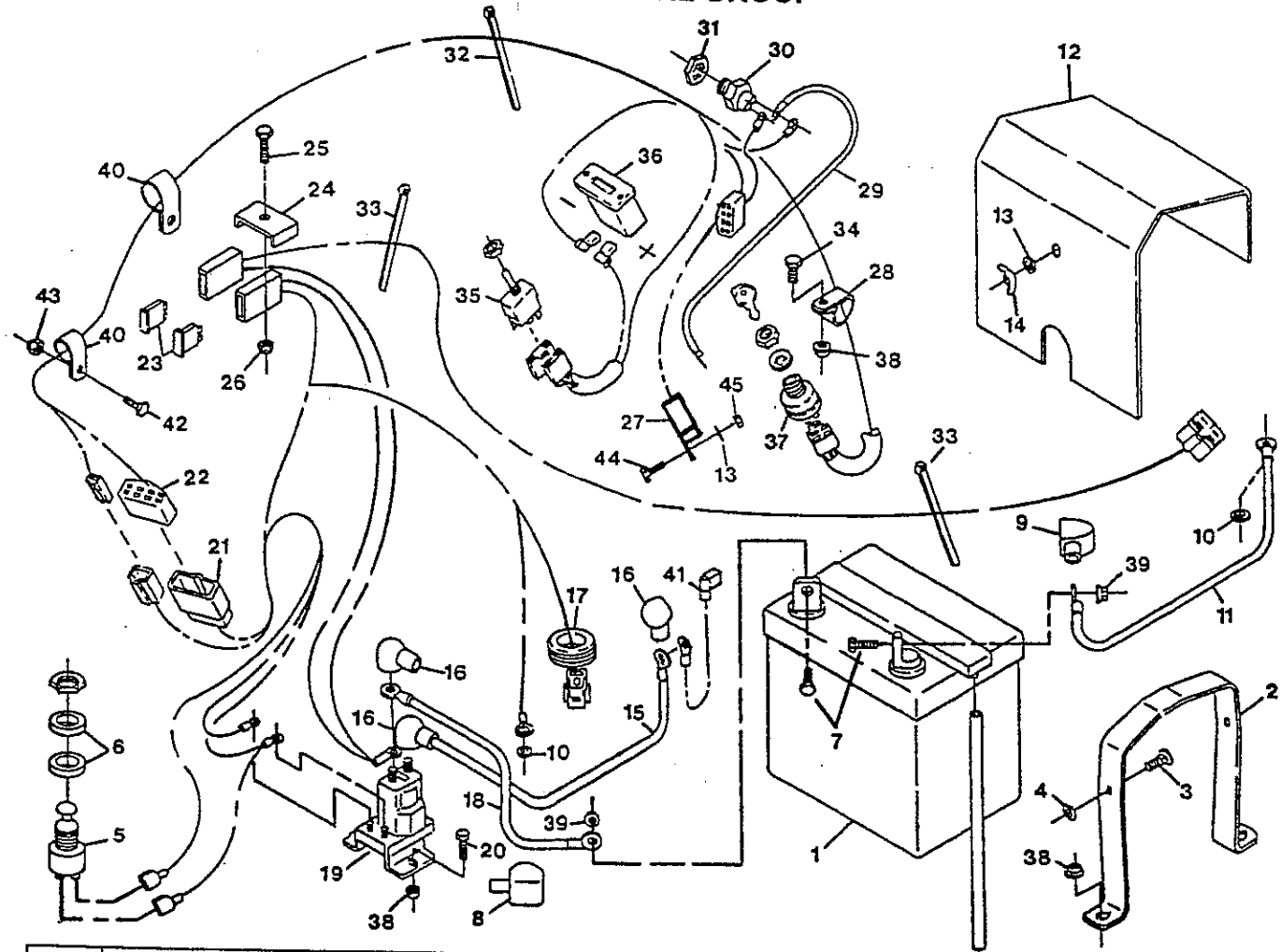
Ref. No.	Part No.	Description	Qty. Req'd.	Ref. No.	Part No.	Description	Qty. Req'd.
1	543774	Decal, Danger	1	13	303517	Decal, Belt Drive	1
2	513739	Decal, Ignition	1	14	303520	Decal, Tri-Vantage	1
3	543631	Decal, Throttle	1	15	303293	Decal, 2 Minute Cool	1
4	613100	Decal, Belt Route	1	16	613050	Decal, Commercial 60	1
5	543626	Decal, Mower Switch	1	17	513890	Decal, Hydraulic Tank	1
6	303102	Decal, Neutral Lock	2	18	613044	Decal, "Swash" (large) TTH	1
7	603804	Decal, Shifter	1	19	603845	Decal, Drive Wheel Release	1
8	403132	Decal, Commercial 52	1	20	613049	Decal, "Swash" (small) TTH	1
9	303481	Decal, Carbon Monoxide	1	21	543660	Decal, Mower Deck	1
10	603350	Decal, Instructional	1	22	303508	Decal, Discharge Warning	1
11	513746	Decal, Muffer	1	23	403005	Danger Label	2
12	513747	Decal, Battery	1	24	403143	Decal, Sulky Warning	1

# FUEL GROUP



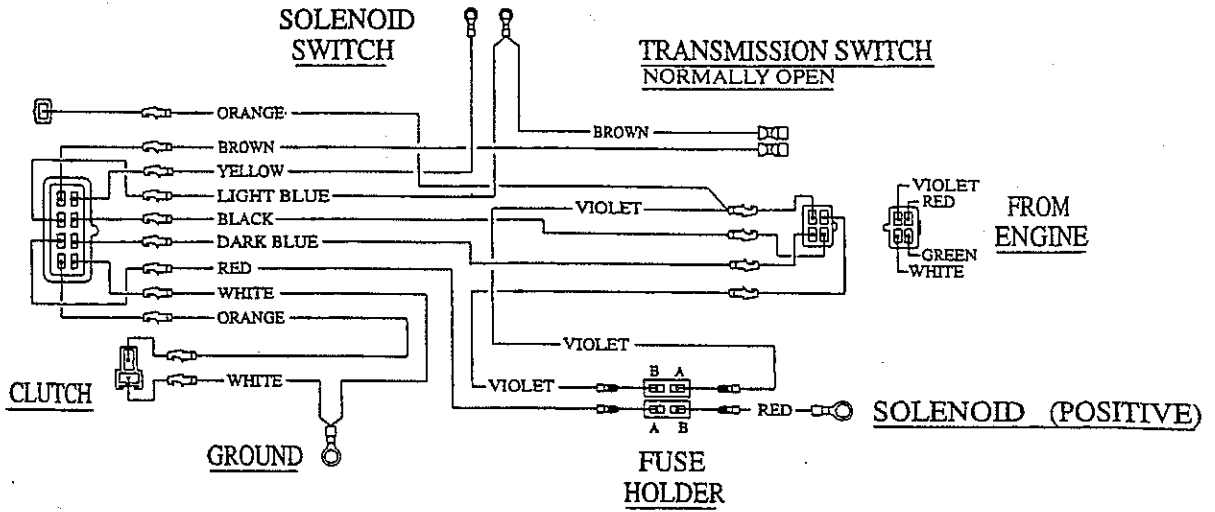
Ref. No.	Part No.	Description	Qty. Req'd.	Ref. No.	Part No.	Description	Qty. Req'd.
1	801062	Screw, 1/4-20 x 3 .....	2	8	513645	Bushing, fuel .....	1
2	513508	Cap, gas .....	1	9	603776	Hose, fuel .....	1
3	303465	Strap, 5 gal. fuel tank .....	2	10	303197	Filter, fuel .....	1
4	543792	Wingnut, nylock 1/4 .....	2	11	543649	Hose, fuel .....	1
5	543364	Gas tank .....	1	12	543277	Elbow, fuel tank .....	1
6	303077	Clamp, fuel line .....	6	13	303306	Hose, fuel .....	1
7	603770	Valve, fuel .....	1	14	303315	Pad, fuel tank .....	2

# ELECTRICAL GROUP



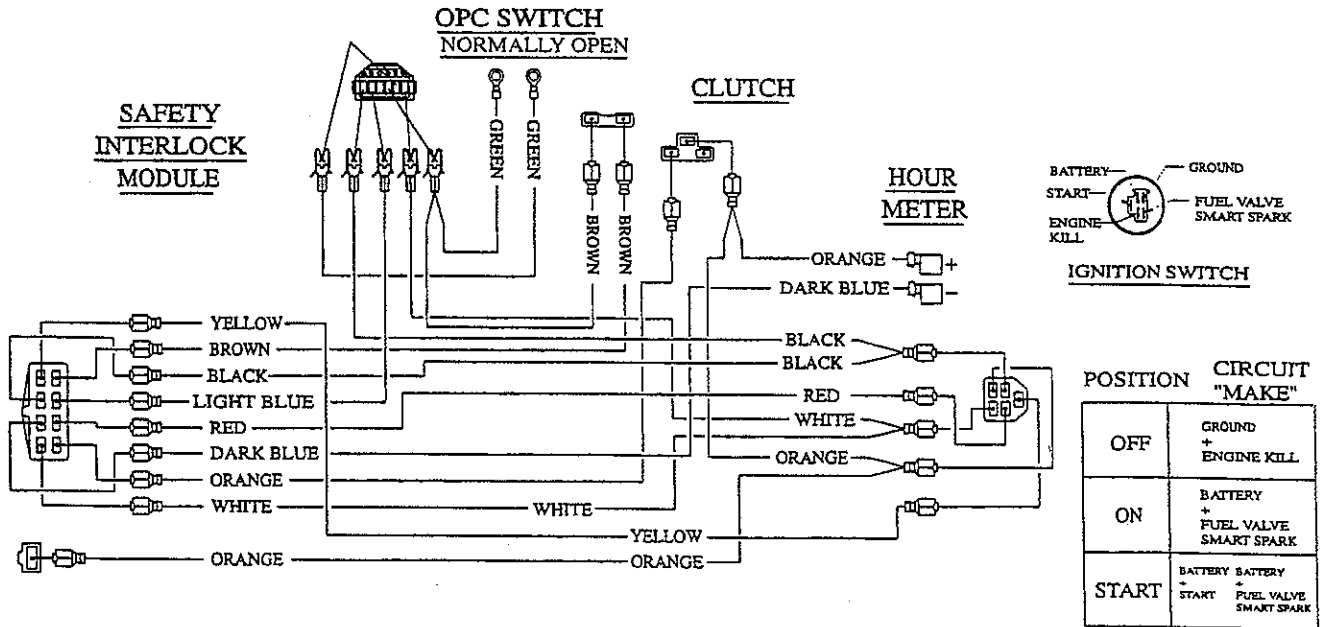
Ref. No.	Part No.	Description	Qty. Req'd.	Ref. No.	Part No.	Description	Qty. Req'd.
1	603479	Battery, 12V manifold .....	1	24	603434	Clip, fuse block.....	1
2	603814	Strap, battery holddown .....	1	25	800256	Screw, 1/4-20 x 1-1/2.....	1
3	807512	Bolt, carriage 1/4-20 x 3/4 .....	2	26	804255	Nut, nylock 1/4-20.....	1
4	803037	Nut, retaining 1/4-20 .....	2	27	323436	Module, Safety Interlock .....	1
5	603760	Switch, push button.....	1	28	513762	Clip, 1/2" Loom.....	1
6	303164	Spacer .....	2	29	603491	Wire, ground (module).....	1
7	800271	Screw, 5/16-18 x 3/4 .....	2	30	303372	Operator Control Switch.....	1
8	543391	Insulator, Battery + .....	1	31	803034	Palnut, 9/16-18.....	1
9	543390	Insulator, Battery - .....	1	32	303335	Plastic tie, (large).....	1
10	805506	Washer, lock 5/16 (internal tooth) .....	2	33	303287	Plastic tie.....	3
11	543767	Wire, ground.....	1	34	800251	Screw, 1/4-20 x 5/8 .....	1
12	603105	Cover, battery debris.....	1	35	543018	Switch, toggle.....	1
13	805256	Washer, 1/4 Flat.....	3	36	513374	Meter, engine hour.....	1
14	803038	Wingnut, 1/4-20 .....	2	37	543070	Switch, ignition .....	1
15	603488	Wire, battery to starter (+).....	1		603511	Keys, ignition.....	1
16	543393	Insulator, solenoid .....	3	38	809012	Nut, whizlock 1/4-20.....	5
17	543286	Grommet .....	1	39	809001	Nut, whizlock 5/16-18.....	2
18	513053	Wire, battery to solenoid (+) ...	1	40	603727	Clip, 9/16" loom.....	2
19	513075	Switch, 12V solenoid .....	1	41	543084	Wire, starter solenoid .....	1
20	800250	Screw, 1/4-20 x 1/2 .....	2	42	800292	Screw, 3/8-16 x 1 .....	1
21	613010	Harness, engine deck.....	1	43	809007	Nut, whizlock 3/8-16.....	1
22	613096	Harness, wire console.....	1	44	800251	Screw 1/4-20 x 5/8 .....	1
23	816001	Fuse, blade 20 amp.....	2	45	804255	Nut, 1/4-20 Nylock .....	1

# ELECTRICAL DIAGRAMS



## Engine Deck Wiring Diagram

NOTE: All connectors are viewed from the *wire input* side of the connector.



## Console Wiring Diagram

NOTE: All connectors are viewed from the *wire input* side of the connector.







## NOTES

**SEE EXMARK'S COMPLETE  
LINE OF PRODUCTS FOR TURF CARE**

**LAZER Z**

**EXPLORER**

**EXPLORER II**

**TURF RANGER**

**TURF TRACER HYDRO**

**VIKING 5-SPEED**

**VIKING HYDRO**

**METRO**

**SELF STEERING SULKY**

**GRASS CATCHER**

**MICRO-MULCHING ACCESSORY**

**EXMARK MFG. CO. INC.  
INDUSTRIAL PARK BOX 808  
BEATRICE, NE. 68310**

**PART NO. 850401  
(402) 223-4010  
FAX (402) 223-4154**

**ALL RIGHTS RESERVED**

**PRINTED IN U.S.A.**

