



# Eurocycler™ 34cm and 41cm Electric Lawn Mowers

Model No. 21080—Serial No. 270A00001 and Up

Model No. 21081—Serial No. 270B00001 and Up

Model No. 21082—Serial No. 270C00001 and Up

Model No. 21090—Serial No. 270D00001 and Up

Model No. 21091—Serial No. 270E00001 and Up

Model No. 21092—Serial No. 270F00001 and Up

## Operator's Manual

## Contents

Introduction.....	1
Safety .....	1
Safe Operating Practices .....	1
Sound Pressure.....	2
Sound Power.....	2
Vibration, Hand/arm .....	2
.....	2
Waste of Electrical/Electronic Equipment (WEEE).....	3
Safety and Instructional Decals .....	3
Setup.....	3
1.Unfolding the Handle .....	3
2.Assembling the Grass Box .....	4
Product Overview.....	5
Specifications .....	5
Operation.....	6
Securing the Extension Cord .....	6
Planning Your Mowing Pattern.....	6
Starting the Motor.....	6
Stopping the Motor .....	7
Adjusting the Height-of-Cut.....	7
Bagging the Clippings.....	7
Mowing Tips .....	8
Maintenance.....	9
Double-insulated Appliances.....	9
Cleaning the Mower Housing.....	9
Servicing the Blade.....	9
Servicing the On/Off and Blade Brake System.....	10
Storage.....	10
Troubleshooting.....	11

The information in this manual can help you and others avoid injury and product damage. Although Toro designs and produces safe products, you are responsible for operating the product properly and safely.

Regulations on the operation of mowers vary from one area to another. Consult with local authorities for regulations and restrictions regarding permitted mowing times in your area.

## Safety

**Read and understand the contents of this manual before starting the motor.**

**⚠ This is the safety alert symbol. It is used to alert you to potential personal injury hazards. Obey all safety messages that follow this symbol to avoid possible injury or death.**

**Improperly using or maintaining this lawn mower could result in injury or death. To reduce this potential, comply with the following safety instructions.**



**To reduce the risk of fire, electric shock, and personal injury when using this electric lawn mower, always follow these safety instructions.**

The following safety information has been adapted from European Standard EN 836:1997 and CEI/IEC 60335-77:2001.

## Safe Operating Practices

### General Information

- Read the instructions carefully. Be familiar with the controls and the proper use of the equipment.

## Introduction

This lawn mower has been designed for private use on residential property only. It is not to be used for commercial purposes on public property.

Thank you for choosing a Toro electric mower for residential use. Read this manual carefully to learn how to operate and maintain your mower properly.

- Never allow children or people unfamiliar with these instructions to use the lawn mower. Local regulations can restrict the age of the operator.
- Never mow while people, especially children or pets, are nearby.
- The operator or user is responsible for accidents or hazards occurring to other people or their property.

## Preparation

- While mowing, always wear substantial footwear and long trousers. Do not operate the equipment when barefoot or wearing open sandals.
- Thoroughly inspect the area where the equipment is to be used and remove all objects which can be thrown by the machine.
- Before using, always visually inspect to see that the blade, blade bolts, and cutter assembly are not worn or damaged. Replace a worn or damaged blade and bolts as a set to preserve balance.
- Toro recommends that the mower should be supplied with a residual current device (RCD) having a tripping current of not more than 30 mA.
- Use only 1.00 mm<sup>2</sup> size extension cord no more than 30 m long suitable for outdoor use (if applicable).

## Handling

- Mow only in daylight or in good artificial light.
- Avoid operating the equipment in wet grass, where feasible.
- Always be sure of your footing on slopes.
- Walk; never run.
- For wheeled rotary mowers, mow across the face of slopes, never up and down.
- Exercise extreme caution when changing direction on slopes.
- Do not mow excessively steep slopes.
- Use extreme caution when reversing or pulling the lawn mower toward you.
- Switch off the mower when transporting it from one cutting area to another. Stop the blade whenever you move the mower off the lawn.
- Never operate the lawn mower with defective guards or without mounted safety devices (for example, deflectors and/or grass catchers) in place.
- Switch on the motor carefully according to instructions and with feet well away from the blade.
- Do not tilt the lawn mower when switching on the motor, except if the lawn mower has to be tilted for starting. In this case, do not tilt it more than absolutely necessary and lift only the part which

is away from the operator. Always ensure that both hands are in the operating position before returning the appliance to the ground.

- Do not put hands or feet near or under rotating parts. Keep clear of the discharge opening at all times.
- Never pick up or carry a lawn mower while the motor is running.
- Pull the plug from the socket:
  - whenever you leave the lawn mower;
  - before clearing a blockage or removing material from the chute;
  - before checking, cleaning, or working on the lawn mower;
  - after striking a foreign object. Inspect the lawn mower for damage and make repairs before restarting and operating the lawn mower;
  - if the lawn mower starts to vibrate abnormally (check immediately).

## Maintenance and Storage

- Keep all nuts, bolts, and screws tight to be sure the equipment is in safe working condition.
- Check the grass catcher frequently for wear or deterioration.
- Replace worn or damaged parts for safety.
- Ensure that only the proper replacement cutting blade is used.
- Purchase only genuine Toro replacement parts and accessories.

## Sound Pressure

This unit has a maximum sound pressure level at the operator's ear of 83 dBA, based on measurements of identical machines per EN 11201.

## Sound Power

This unit has a guaranteed sound power level of 96 dBA, based on measurements of identical machines per EN 11094.

## Vibration, Hand/arm

This unit does not exceed a hand/arm vibration level of 4.8 m/s<sup>2</sup>, based on measurements of identical machines per EN 836.

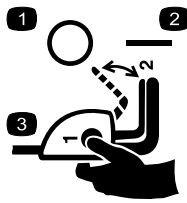
# Waste of Electrical/Electronic Equipment (WEEE)



- EU directive 2002/96/EC classifies this product as an electrical or electronic tool.
- **Do Not** dispose of this tool as unsorted municipal waste.
- Dispose of this tool at a collection or recycling center according to local and national law.
- The consumer has an important role in reducing the disposal of waste by returning waste electronic/electrical tools for recycling.
- Recycling avoids the dispersion of hazardous materials into the municipal waste stream.
- The crossed-out bin symbol reminds the user not to dispose of this product as unsorted municipal waste.

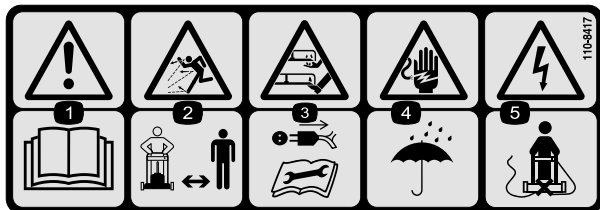
## Safety and Instructional Decals

**Important:** Safety and instruction decals are located near areas of potential danger. Replace damaged or lost decals.



110-1168

1. Off
2. On
3. To engage the mower, press and hold the button while pulling back on the control bar.



110-8417

1. Warning—read the *Operator's Manual*.
2. Thrown object hazard—keep bystanders a safe distance from the machine.
3. Attention, do not touch rotating blade! Disconnect power cord and read the instructions before servicing or performing maintenance.
4. Electric shock hazard—keep the machine out of the rain and other wet conditions.
5. Electrical hazard, cutting of electrical cord—do not push the machine over the power cord.

## Setup

**Note:** Do not connect the mower to a power source until the mower is fully assembled.

### 1. Unfolding the Handle

#### Procedure

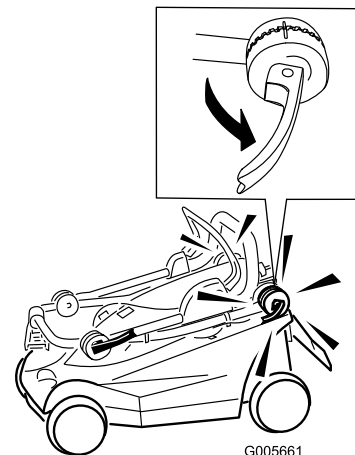


Figure 1

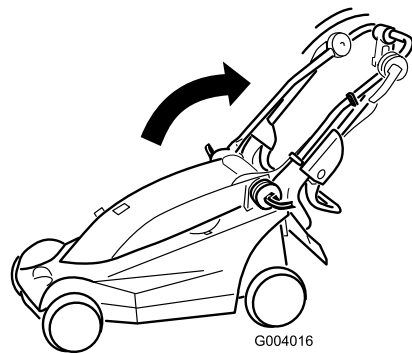
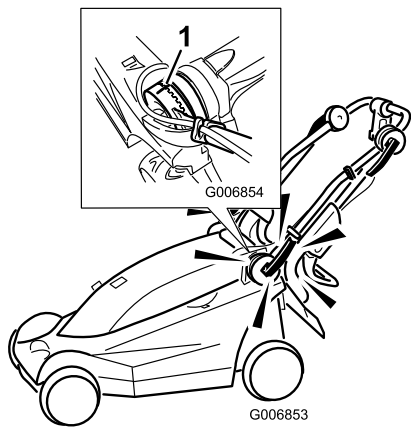
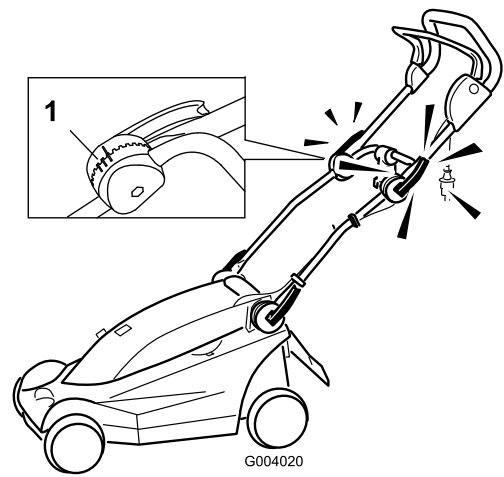


Figure 2



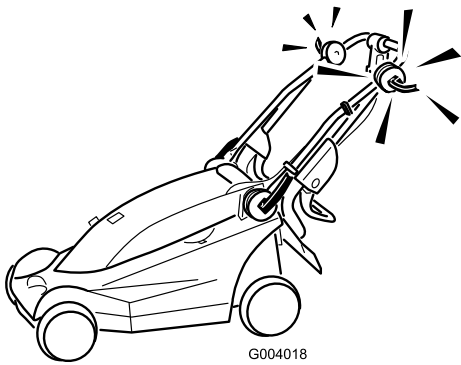
**Figure 3**

1. Align the marks



**Figure 6**

1. Marks for handle positions



**Figure 4**

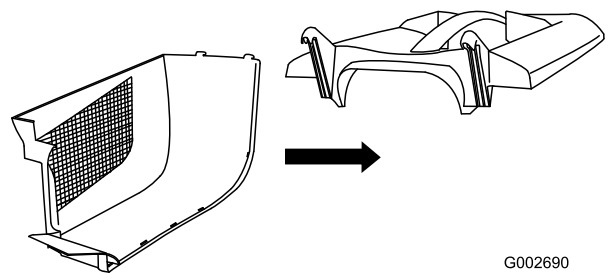
**Note:** You can set the upper handle to 1 of 3 positions. Line up the mark to 1 of the 3 marks on the inner side of the upper handle lock (Figure 6).

## 2. Assembling the Grass Box

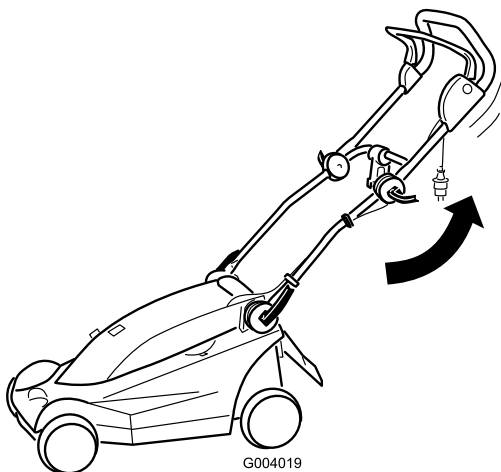
### Procedure

**Important:** Follow the steps in the order shown.

1. Slide the side into the latches in the top (Figure 7).

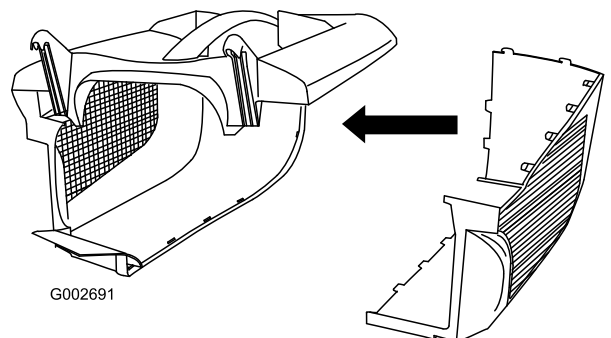


**Figure 7**



**Figure 5**

2. Slide the other side into the latches in the top and latch the rear of the 2 sides together (Figure 8).



**Figure 8**

3. Starting at the rear, align and push the remainder of the side latches together (Figure 9).

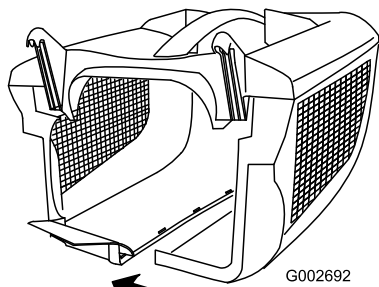


Figure 9

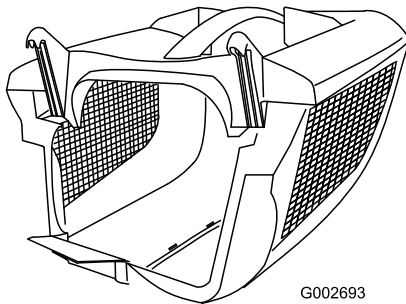


Figure 10

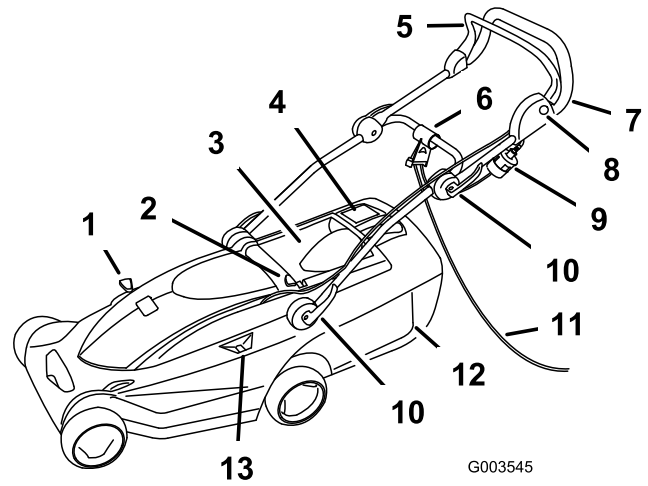


Figure 11

- |                                    |                                   |
|------------------------------------|-----------------------------------|
| 1. Recycling/bagging lever         | 8. Button                         |
| 2. Height-of-cut adjustment button | 9. Plug                           |
| 3. Rear door                       | 10. Handle locks (4)              |
| 4. Grass box fill indicator        | 11. Extension cord (not supplied) |
| 5. Control bar                     | 12. Grass box                     |
| 6. Cord lock                       | 13. Height-of-cut level reading   |
| 7. Handle                          |                                   |

# Product Overview

## Specifications

Model	21080	21081	21082	21090	21091	21092
Weight	16 kg	17 kg	16 kg	19 kg	20 kg	19 kg
Length	137 cm	137 cm	137 cm	145 cm	145 cm	145 cm
Width	39 cm	39 cm	39 cm	45 cm	45 cm	45 cm
Nominal width of cut	34 cm	34 cm	34 cm	41 cm	41 cm	41 cm
Nominal height of cut range	20 to 75 mm	20 to 75 mm	20 to 75 mm	20 to 75 mm	20 to 75 mm	20 to 75 mm
Grass box volume	32 L	32 L	32 L	40 L	40 L	40 L
Nominal motor RPM	3000 rpm	3000 rpm	3000 rpm	3000 rpm	3000 rpm	3000 rpm
Volts and Frequency	230 V/ 50 Hz	230 V/ 50 Hz	230 V/ 50 Hz	230 V/ 50 Hz	230 V/ 50 Hz	230 V/ 50 Hz
Power	1.2 kW	1.2 kW	1.2 kW	1.2 kW	1.2 kW	1.2 kW

# Operation

## Securing the Extension Cord

**Note:** This procedure is for mowers that require an extension cord.

Use only an extension cord recommended for outdoor use.



Contacting water while operating the mower could cause an electric shock, which can cause an injury or death.

- Don't handle the plug or the mower with wet hands or while standing in water.
- Use only an extension cord recommended for outdoor cold weather use.

1. Form a loop in the extension cord and secure it in the cord lock (Figure 12).

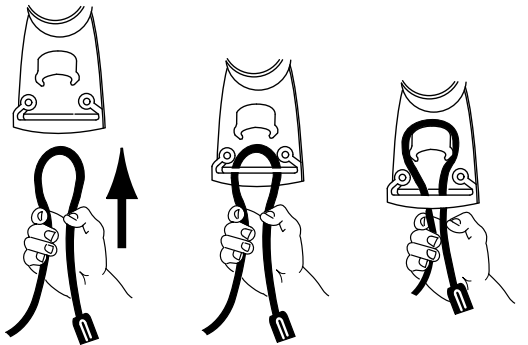


Figure 12

G002648

2. Connect the extension cord to the mower plug (Figure 13).

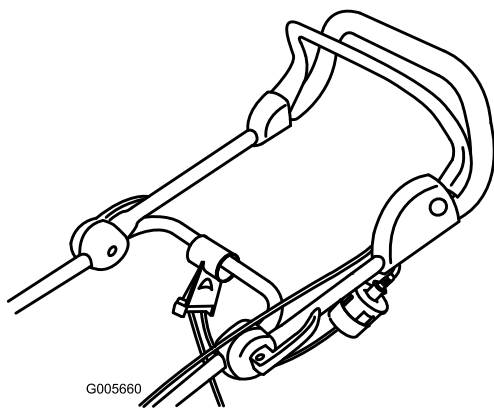


Figure 13

G005660

**Note:** Do not unplug the extension cord by pulling on the cord; to unplug the cord, grasp the plug, not the cord.



The electrical cord could be damaged, causing a shock or fire.

Thoroughly inspect the electrical cord before using the mower. If the cord is damaged, do not operate the mower. Have an Authorized Toro Service Dealer replace or repair a damaged cord immediately.

## Planning Your Mowing Pattern

Following the suggested mowing pattern will reduce the risk of running over the cord with the mower, and the cord will not sustain unnecessary wear. Do not allow the power cord to wrap around trees, shrubs, or other obstacles.

Begin by mowing near the electrical power source. Mow back and forth, gradually moving away from the power source (Figure 14).

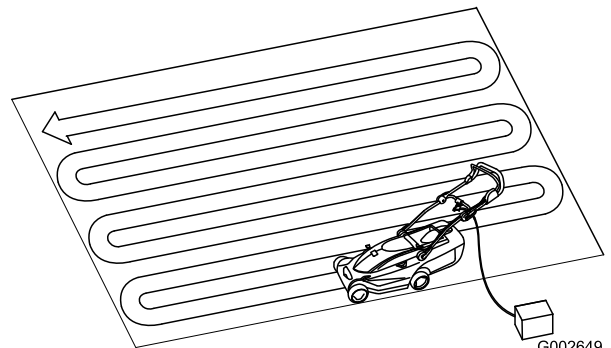


Figure 14

G002649

## Starting the Motor

1. Connect the extension cord to the mower (if applicable).
2. Plug the other end of the cord into a household electrical power outlet.
3. Push the button on the left side of the handle and hold it in (Figure 15).

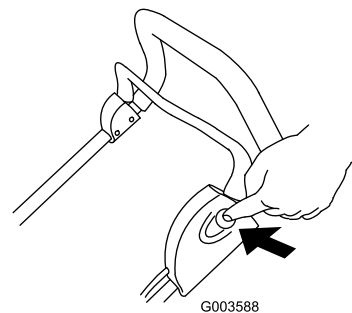
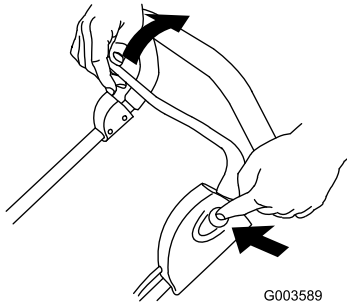


Figure 15

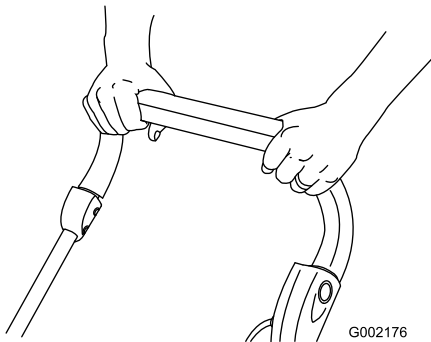
G003588

4. While holding in the button, pull the control bar toward the handle (Figure 16).



**Figure 16**

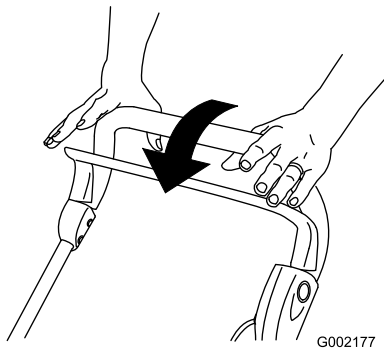
5. Hold the control bar to the handle and release the button (Figure 17).



**Figure 17**

## Stopping the Motor

1. Release the control bar (Figure 18).



**Figure 18**

2. Disconnect the mower from the power source if you leave the mower unattended.

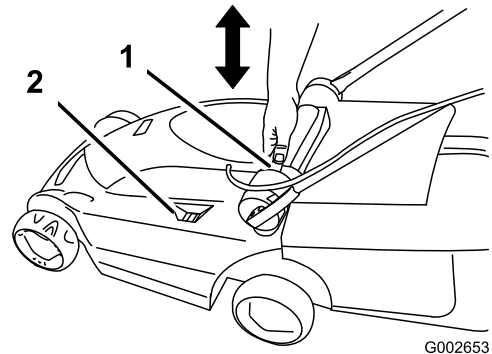
## Adjusting the Height-of-Cut

The mower has 6 height-of-cut positions (all heights are approximate): A=20 mm; B=31 mm; C=42 mm; D=53 mm; E=64 mm; and F=75 mm.

**Adjusting the cutting height levers could bring your hands and feet into contact with a moving blade and result in serious injury.**

**Stop the motor and wait for all moving parts to stop before changing the height-of-cut setting.**

1. Stop the motor and wait for all moving parts to stop.
2. Press down on the height-of-cut adjustment button with your thumb and push down or lift up the height-of-cut handle to the desired cutting height setting shown on the height-of-cut level reading (Figure 19).



**Figure 19**

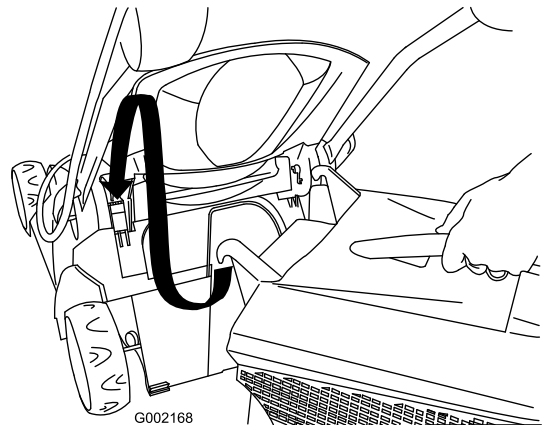
1. Height-of-cut adjustment button
2. Height-of-cut level reading

3. Release the height-of-cut adjustment button.

## Bagging the Clippings

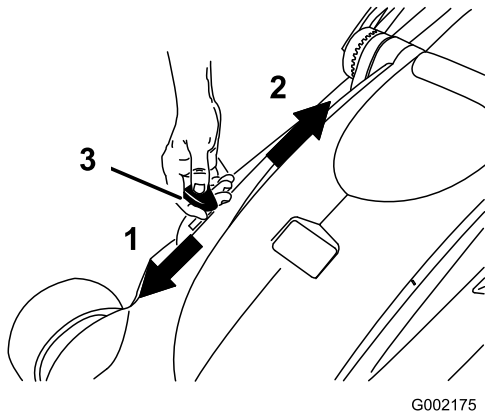
Install the grass box to collect the clippings.

1. Lift up the rear door and install the grass box on the mower (Figure 20).



**Figure 20**

2. Release the rear door.
3. Move the recycling/bagging lever to bagging mode (Figure 21).



**Figure 21**

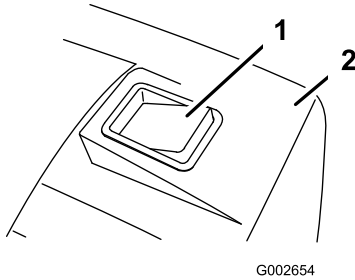
1. Bagging mode
2. Recycling (mulching) mode
3. Recycling/bagging lever

## Mowing Tips



**Figure 23**

4. Mow with the grass box attached until the grass box indicator shows that the grass box is full (Figure 22).



**Figure 22**

1. Grass box indicator (grass box is full)
2. Grass box

5. Remove the grass box from the mower and empty the contents.

**Note:** To convert from bagging to recycling, move the recycling/bagging lever to recycling mode (Figure 21) and remove the grass box.

Follow these instructions whether cutting grass for the best cutting results and lawn appearance.

- Maintain a **sharp blade** throughout the mowing season.
- **Only mow dry grass.** Wet grass tends to clump on the yard and may cause the mower to plug up or the motor to stall. They may also be slippery to walk on and could cause you to slip and fall.
- While cutting single swaths, ensure an overlap of about 4 cm.
- When cutting very tall grass, you may want to first mow at the highest height-of-cut setting and a slower walking speed; then mow again at a lower setting for best lawn appearance.
- If the finished cut lawn appearance is unsatisfactory, try one or more of the following:
  - Sharpen the blade.
  - Walk at a slower pace while mowing.
  - Raise the height-of-cut setting on your mower.
  - Cut the grass more frequently.
  - Overlap cutting swaths instead of cutting a full swath with each pass.



# Maintenance


Toro has designed this product to give you years of trouble-free use. Should it need service, bring the product to an Authorized Toro Service Dealer.



**When the mower is connected to a household power source, the mower is operational. Someone could accidentally start the mower and cause a serious injury to you or other bystanders.**

**Always disconnect the mower from the power source when you leave the mower unattended.**

## Double-insulated Appliances

In a double-insulated appliance, two systems of insulation are provided instead of grounding. No grounding means is provided on a double-insulated appliance, nor should a means for grounding be added to the appliance. Servicing a double-insulated appliance requires extreme care and knowledge of the system, and should be done only by the qualified service personnel at an Authorized Toro Service Dealer. Replacement parts for a double-insulated appliance must be identical to the parts they replace. A double-insulated appliance is marked with the words “Double Insulation” or “Double Insulated.” The symbol (square within a square)  may also be marked on the appliance.

## Cleaning the Mower Housing

After each use, clean the mower housing.

Before cleaning, stop the motor, wait for all moving parts to stop, and disconnect the mower from the power source.

**Important: Do not clean the mower with water. Moisture can get trapped in the mower and may cause corrosion of internal parts.**

- Clean the underside of the mower housing. Remove dirt and grass clippings with a hardwood scraper.
- Remove the debris from the housing vents along the top of the mower.
- Brush all the debris off the mower housing.
- Inspect the power plug receptacle for signs of melting or heating. Old worn-out extension cord plugs that fit loosely in the plug receptacle can cause overheating from poor contact. Replace

any damaged extension cords immediately (if applicable) .

## Servicing the Blade

Always mow with a sharp blade. As sharp blade cuts the grass evenly, without tearing or shredding the grass.

When you replace the blade, use only genuine Toro replacement blades.



**Someone could accidentally start the motor and cause a serious injury to the operator or to bystanders.**

**Do not attempt to inspect, remove, or replace the blade without first disconnecting the mower from the power source.**

1. Stop the motor and wait for all moving parts to stop.
2. Disconnect the mower from the electrical power source.
3. Tip the mower onto its side.
4. Carefully examine the blade for sharpness and wear, especially where the flat and curved parts of the blade meet. If you notice wear, replace the blade.

**Note:** For best performance, install a new blade before the mowing season begins. During the season, file down small nicks on the blade to maintain its cutting edge.



**A worn or damaged blade could break and a piece of blade could be thrown in the operator's or bystander's direction, causing serious personal injury or death.**

**Inspect the blade periodically for wear or damage, and replace a worn or damaged blade.**

## Removing the Blade

1. Grasp the end of the blade (Figure 24) with a rag or thickly padded glove.

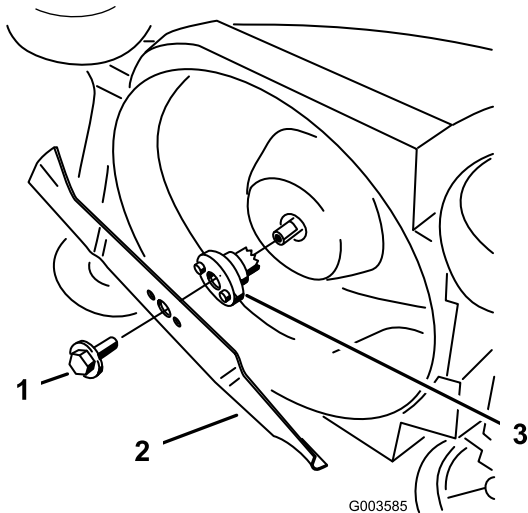


Figure 24

1. Blade bolt
2. Blade
3. Blade adapter

2. Remove the blade bolt and the blade.

**Important:** If the blade adapter comes off, ensure that you install it before installing the blade and blade bolt. Operating the mower without the blade adapter will damage the mower.

## Sharpening the Blade

Use a file to sharpen the top side of the blade and maintain the original cutting angle.

**Note:** The blade will remain balanced if you remove the same amount of material from both cutting edges.

**Important:** Check the balance of the blade by putting it on a blade balancer. You can purchase an inexpensive balancer at a hardware store. A balanced blade stays in a horizontal position; an unbalanced blade settles to the heavy side. If the blade is not balanced, file more metal off the cutting edge on the heavy end of the blade.

## Installing the Blade

Install a sharp, balanced blade and the blade bolt. The sail part of the blade must point toward the top of the mower housing to ensure correct installation. Tighten the blade bolt to 15 N·m.

## Servicing the On/Off and Blade Brake System

The motor and blade are designed to stop within 3 seconds after you release the control bar. Ensure that the control bar functions properly each time before you operate the mower. If the blade does not stop within 3 seconds or there is a grinding or scraping, metal-to-metal noise when you release the control bar, contact an Authorized Toro Service Dealer. This same recommendation applies if you observe heavy vibrations when using the mower.

## Storage

Store the mower in a cool, clean, and dry place away from children. Cover the mower to keep it clean and protected.

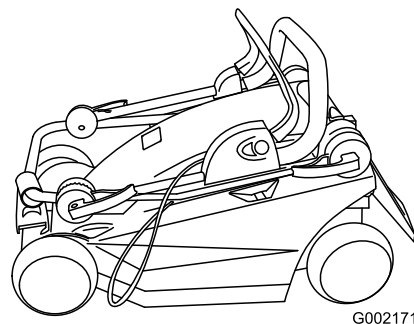


Figure 25

1. Clean the mower housing.
2. Check the condition of the blade.

# Troubleshooting

Problem	Possible Cause	Corrective Action
Motor will not start	<ol style="list-style-type: none"> <li>1. The extension cord is not connected to the mower.</li> <li>2. The extension cord is damaged.</li> <li>3. The fuse or circuit breaker is blown.</li> </ol>	<ol style="list-style-type: none"> <li>1. Connect the extension cord to the mower and plug the other end of the extension cord into a normal household outlet.</li> <li>2. Check the extension cord, and repair the cord if it is damaged.</li> <li>3. Check the outlet fuse or the circuit breaker.</li> </ol>
Motor starts hard or loses power	<ol style="list-style-type: none"> <li>1. The mower discharge chute is plugged.</li> <li>2. The underside of the mower housing needs to be cleaned.</li> <li>3. The cutting height is set too low.</li> </ol>	<ol style="list-style-type: none"> <li>1. Clean the mower discharge chute.</li> <li>2. Clean the underside of the mower housing.</li> <li>3. Set the mower cutting height in a higher position and start the motor again.</li> </ol>
Mower or motor vibrates excessively	<ol style="list-style-type: none"> <li>1. The blade is not balanced.</li> <li>2. The blade mounting bolt is loose.</li> <li>3. The mower discharge chute is plugged.</li> <li>4. The underside of the mower housing needs to be cleaned.</li> <li>5. The motor mounting bolts are loose.</li> </ol>	<ol style="list-style-type: none"> <li>1. Balance the blade.</li> <li>2. Tighten the blade mounting bolt.</li> <li>3. Clean the mower discharge chute.</li> <li>4. Clean the underside of the mower deck.</li> <li>5. Tighten the motor mounting bolts.</li> </ol>
Uneven cutting pattern	<ol style="list-style-type: none"> <li>1. The blade is dull and is not balanced.</li> <li>2. You are mowing the same pattern every time you mow.</li> <li>3. The underside of the mower housing needs to be cleaned.</li> </ol>	<ol style="list-style-type: none"> <li>1. Sharpen and balance the blade.</li> <li>2. Change the mowing pattern.</li> <li>3. Clean the underside of the mower deck.</li> </ol>
Discharge chute plugs	<ol style="list-style-type: none"> <li>1. The cutting height is set too low.</li> <li>2. You are trying to mow wet grass.</li> <li>3. The underside of the mower housing needs to be cleaned.</li> </ol>	<ol style="list-style-type: none"> <li>1. Raise the cutting height.</li> <li>2. Allow the grass to dry before mowing.</li> <li>3. Clean the underside of the mower deck.</li> </ol>

## International Distributor List—Consumer Products

<b>Distributor:</b>	<b>Country:</b>	<b>Phone Number:</b>
Atlantis Su ve Sulama Sistemleri Lt	Turkey	90 216 344 86 74
Balama Prima Engineering Equip	Hong Kong	852 2155 2163
B-Ray Corporation	Korea	82 32 551 2076
Casco Sales Company	Puerto Rico	787 788 8383
Ceres S.A	Costa Rica	506 239 1138
CSSC Turf Equipment (pvt) Ltd	Sri Lanka	94 11 2746100
Cyril Johnston & Co	Nothern Ireland	44 2890 813 121
Equivier	Mexico	52 55 539 95444
Femco S.A.	Guatemala	502 442 3277
G.Y.K. Company Ltd.	Japan	81 726 325 861
Geomechaniki of Athens	Greece	30 10 935 0054
Guandong Golden Star	China	86 20 876 51338
Hako Gorund and Garden	Sweden	46 35 10 0000
Hydroturf Int. Co	Dubai United Arab Emirates	97 14 347 9479
Hydroturf Egypt LLC	Egypt	202 519 4308
Ibea S.p.A.	Italy	39 0331 853611
Irriamc	Portugal	351 21 238 8260
Jean Heybroek b.v.	Netherlands	31 30 639 4611
Lely (U.K. ) Limited	United Kingdom	44 1480 226 800
Maquiver S.A.	Colombia	57 1 236 4079
Maruyama Mfg. Co. Inc.	Japan	81 3 3252 2285
Metra Kft	Hungary	36 1 326 3880
Mountfield a.s.	Czech Republic	420 255 704 220
Munditol S.A.	Argentina	54 11 4 821 9999
Oslinger Turf Equipment SA	Ecuador	593 4 239 6970
Oy Hako Ground and Garden Ab	Finland	358 987 00733
Parkland Products Ltd	New Zealand	64 3 34 93760
Prochaska & Cie	Austria	43 1 278 5100
RT Cohen 2004 Ltd	Israel	972 986 17979
Riversa	Spain	34 9 52 83 7500
Roth Motorgerate GmBh & Co	Germany	49 7144 2050
Sc Svend Carlsen A/S	Denmark	45 66 109 200
Solvert S.A.S	France	33 1 30 81 77 00
Spypros Stavrinides Limited	Cyprus	357 22 434131
Surge Systems India Limited	India	91 1 292299901
T-Markt Logistics Ltd	Hungary	36 26 525 500
Toro Australia	Australia	61 3 9580 7355
Toro Europe BVBA	Belgium	32 14 562 960



## The Toro Warranty

### Conditions and Products Covered

The Toro® Company and its affiliate, Toro Warranty Company, pursuant to an agreement between them, jointly promises to the original purchaser\* to repair any Toro Product used for normal residential purposes\* if defective in materials or workmanship. The following time periods apply from the date of original purchase:

Products	Warranty Period
Walk Power Mowers	2-year limited warranty
Rear Engine Riders	2-year limited warranty
Lawn & Garden Tractors	2-year limited warranty
Electric Hand Held Products	2-year limited warranty
Snowthrowers	2-year limited warranty
Consumer Zero Turn	2-year limited warranty

\* "Original purchaser" means use the person who originally purchased Toro products.

\* "Normal residential purposes" means use of the product on the same lot as your home. Use at more than one location is considered commercial use, and the commercial use warranty would apply.

### Limited Warranty for Commercial Use

Toro Consumer Products and attachments used for commercial, institutional, or rental use are warranted against defects in materials or workmanship for the following time periods from the date of original purchase:

Products	Warranty Period
Walk Power Mowers	90 day warranty
Rear Engine Riders	90 day warranty
Lawn & Garden Tractors	90 day warranty
Electric Hand Held Products	90 day warranty
Snowthrowers	90 day warranty
Consumer Zero Turn	45 day warranty

### Instructions for Obtaining Warranty Service

If you think that your Toro Product contains a defect in materials or workmanship, follow this procedure:

1. Contact your seller to arrange service of the product. If for any reason it is impossible for you to contact your seller, you may contact any Toro Authorized Distributor to arrange service.
2. Bring the product and your proof of purchase (sales receipt) to your seller or the Service Dealer.

If for any reason you are dissatisfied with the Service Dealer's analysis or with the assistance provided, contact the Toro importer or contact us at:

Customer Care Department, Consumer Division  
Toro Warranty Company  
8111 Lyndale Avenue South  
Bloomington, MN 55420-1196  
Manager: Technical Product Support: 001-952-887-8248

See attached Distributor List

### Owner Responsibilities

You must maintain your Toro Product by following the maintenance procedures described in the operator's manual. Such routine maintenance, whether performed by a dealer or by you, is at your expense.

### Items and Conditions Not Covered

This express warranty does not cover:

- Cost of regular maintenance service or parts, such as filters, fuel, lubricants, tune-up parts, blade sharpening, brake and clutch adjustments.
- Any product or part which has been altered or misused or required replacement or repair due to normal wear, accidents, or lack of proper maintenance.
- Repairs necessary due to improper fuel, contaminants in the fuel system, or failure to properly prepare the fuel system prior to any period of non-use over three months.
- Engine and transmission. These are covered by the appropriate manufacturer's guarantees with separate terms and conditions.

All repairs covered by this warranty must be performed by an Authorized Toro Service Dealer using Toro approved replacement parts.

### General Conditions

The purchaser is covered by the national laws of each country. The rights to which the purchaser is entitled with the support of these laws are not restricted by this warranty.



# Eurocycler™ 34 cm und 41 cm Elektrorasensmäher

Modellnr. 21080—Seriennr. 270A00001 und höher

Modellnr. 21081—Seriennr. 270B00001 und höher

Modellnr. 21082—Seriennr. 270C00001 und höher

Modellnr. 21090—Seriennr. 270D00001 und höher

Modellnr. 21091—Seriennr. 270E00001 und höher

Modellnr. 21092—Seriennr. 270F00001 und höher

## Bedienungsanleitung

## Inhalt

Einführung .....	1
Sicherheit .....	1
Sichere Betriebspraxis .....	2
Schalldruck .....	3
Schalleistung .....	3
Vibration, Hand/Arm .....	3
Entsorgen von elektrischen bzw. elektronischen Geräten (WEEE) .....	3
Sicherheits- und Bedienungsschilder .....	3
Einrichtung .....	4
1. Aufklappen des Griffs .....	4
2. Zusammenbauen des Grasfangkorbs .....	5
Produktübersicht .....	5
Technische Daten .....	6
Betrieb .....	6
Befestigen des Verlängerungskabels .....	6
Planen des Mähmusters .....	7
Anlassen des Motors .....	7
Abstellen des Motors .....	7
Einstellen der Schnitthöhe .....	8
Sammeln des Schnittguts .....	8
Tipps zum Rasenmähen .....	9
Wartung .....	10
Doppelt isolierte Geräte .....	10
Reinigen des Rasenmähergehäuses .....	10
Warten des Messers .....	10
Warten der Ein-/Ausschaltanlage und der Messerbremsanlage .....	11
Einlagerung .....	11
Fehlersuche und -behebung .....	12

## Einführung

Dieser Rasensmäher ist nur für den Privatgebrauch in einem Garten eines Privateigentums konzipiert. Das Gerät sollte nicht kommerziell für öffentliche Anlagen verwendet werden.

Vielen Dank, dass Sie sich für einen Elektrorasensmäher von Toro für den Privatgebrauch entschieden haben. Lesen Sie diese Anleitung sorgfältig durch, um mit dem richtigen Einsatz und Wartung des Rasensmähers vertraut zu werden. Die Informationen in dieser Anleitung verhindern Körperverletzungen und Produktbeschädigungen. Toro konstruiert und fertigt zwar sichere Produkte, Sie sind jedoch für den richtigen und sicheren Einsatz des Geräts verantwortlich.

Die Vorschriften für die Verwendung der Rasensmäher sind regionsabhängig. Wenden Sie sich an die örtlichen Gemeinden, um die Vorschriften (besonders für die Mähzeiten in der Region) zu erfragen.

## Sicherheit

Lesen Sie vor dem Anlassen des Motors den Inhalt der vorliegenden Anleitung sorgfältig durch, damit Sie gut darüber Bescheid wissen.

**⚠ Dies ist ein Warnzeichen. Es macht Sie auf mögliche Verletzungsgefahren aufmerksam. Befolgen Sie zum Vermeiden von Verletzungen und Todesfällen immer sämtliche Sicherheitshinweise.**

Der unsachgemäße Einsatz und die falsche Wartung dieses Rasensmähers können zu Verletzungen führen. Befolgen Sie die folgenden Sicherheitsanweisungen, um das Risiko so gering wie möglich zu halten.



**Halten Sie immer die Sicherheitsanweisungen ein, wenn Sie diesen elektrischen Rasensmäher verwenden, um die Gefahr eines Brandes, elektrischen Schlags und Körperverletzungen zu verringern.**

Die folgenden Sicherheitsinformationen wurden vom europäischen Standard EN 836:1997 und CEI/IEC 60335-77:2001 angepasst.

## Sichere Betriebspraxis

### Allgemeine Informationen

- Lesen Sie diese Anweisungen gründlich durch. Machen Sie sich mit den Bedienelementen und dem korrekten Einsatz des Geräts vertraut.
- Lassen Sie den Rasenmäher nie von Kindern oder Personen bedienen, die mit diesen Anweisungen nicht vertraut sind. Das Alter des Fahrers kann durch lokale Vorschriften eingeschränkt sein.
- Mähen Sie nie, wenn sich Personen, insbesondere Kinder oder Haustiere, in der Nähe aufhalten.
- Bedenken Sie immer, dass der Bediener die Verantwortung für Unfälle oder Gefahren gegenüber anderen und ihrem Eigentum trägt.

### Vorbereitung

- Tragen Sie beim Mähen immer feste Schuhe und lange Hosen. Fahren Sie die Maschine nie barfuß oder mit Sandalen.
- Untersuchen Sie den Arbeitsbereich der Maschine gründlich und entfernen Sie alle Gegenstände, die von der Maschine aufgeworfen werden könnten.
- Überprüfen Sie vor dem Einsatz immer, ob die Schnittmesser, -schrauben und das Mähwerk abgenutzt oder beschädigt sind. Tauschen Sie abgenutzte oder defekte Messer und -schrauben als komplette Sätze aus, um die Wucht der Messer beizubehalten.
- Die für das Gerät verwendete Stromversorgung sollte eine Fehlerstrom-Schutzvorrichtung mit einem Auslösestrom von höchstens 30 mA sein.
- Verwenden Sie nur Verlängerungskabel der Größe 1,00 mm<sup>2</sup>, die nicht länger als 30 m sind und für den Außeneinsatz gedacht sind.

### Handhabung

- Mähen Sie nur bei Tageslicht oder guter künstlicher Beleuchtung.
- Vermeiden Sie, wo es geht, den Einsatz in nassem Gras.
- Achten Sie an Hängen immer auf eine gute Bodenhaftung.
- Gehen Sie, aber laufen Sie nie.
- Mähen Sie bei Sichelmähern mit Rädern immer quer zum Hang und nie auf- oder abwärts.

- Gehen Sie beim Richtungswechsel an Hängen äußerst vorsichtig vor.
- Versuchen Sie nicht, steile Hänge zu mähen.
- Gehen Sie mit größter Vorsicht vor, wenn Sie rückwärts gehen oder den Rasenmäher in Ihre Richtung ziehen.
- Schalten Sie den Mäher ab, wenn Sie von einem Mähbereich zu einem anderen wechseln. Das Messer sollte immer stillstehen, wenn Sie sich mit dem Mäher ausserhalb von Rasenflächen bewegen.
- Benutzen Sie niemals den Rasenmäher mit beschädigten Schutzeinrichtungen oder Schutzgittern oder ohne angebaute Schutzeinrichtungen, z.B. Prallbleche und/oder Grasfangeinrichtungen.
- Lassen Sie den Motor vorsichtig gemäß der Anweisungen an, halten Sie Ihre Füße vom Messer fern.
- Beim Starten oder Anlassen des Motors darf der Rasenmäher nicht gekippt werden, es sei denn, der Rasenmäher muss bei dem Vorgang angehoben werden. In diesem Fall kippen Sie ihn nur so weit, wie es unbedingt erforderlich ist, und heben Sie nur die vom Benutzer abgewandte Seite hoch.
- Halten Sie Hände und Füße von sich drehenden Teilen fern. Bleiben Sie immer von der Auswurföffnung fern.
- Heben oder tragen Sie den Rasenmäher nie bei laufendem Motor.
- Ziehen Sie in den folgenden Situationen den Netzstecker aus der Fassung heraus:
  - Wenn Sie den Rasenmäher verlassen.
  - Bevor Sie Blockierungen lösen oder Verstopfungen im Auswurfkanal beseitigen.
  - Vor dem Prüfen, Reinigen oder Arbeiten am Rasenmäher.
  - Nach dem Kontakt mit einem Fremdkörper. Untersuchen Sie den Rasenmäher auf Schäden und führen die notwendigen Reparaturen durch, bevor Sie ihn erneut starten und in Betrieb nehmen.
  - Beim Auftreten von ungewöhnlichen Vibrationen am Rasenmäher (sofort überprüfen).

### Wartung und Lagerung

- Halten Sie alle Muttern und Schrauben fest angezogen, damit das Gerät in einem sicheren Betriebszustand bleibt.
- Prüfen Sie den Grasfangkorb regelmäßig auf Verschleiß und Abnutzung.

- Tauschen Sie abgenutzte und beschädigte Teile aus Sicherheitsgründen aus.
- Stellen Sie sicher, dass Sie das richtige Ersatzmesser verwenden.
- Kaufen Sie nur Toro Originalersatzteile und -zubehör.

## Schalldruck

Diese Maschine erzeugt einen maximalen Schalldruckpegel, der am Ohr des Benutzers auf der Grundlage von Messungen an baugleichen Maschinen nach Richtlinie EN 11201 83 dBA beträgt.


## Schalleistung

Diese Maschine entwickelt nach Messungen an baugleichen Maschinen laut EN 11094 einen Schalleistungspegel von 96 dBA.

## Vibration, Hand/Arm

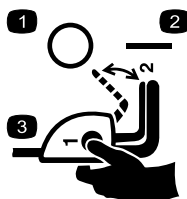
Diese Maschine hat auf der Grundlage von Messungen an baugleichen Maschinen gemäß EN 836 an der Hand bzw. dem Arm des Bedieners ein maximales Vibrationsniveau von 4,8 m/s<sup>2</sup>.

## Entsorgen von elektrischen bzw. elektronischen Geräten (WEEE)

	<ul style="list-style-type: none"> <li>• Die EU-Richtlinie 2002/96/EG klassifiziert dieses Produkt als ein elektrisches oder elektronisches Werkzeug.</li> <li>• Entsorgen Sie dieses Gerät <b>nicht</b> im allgemeinen Hausmüll.</li> <li>• Entsorgen Sie dieses Gerät an einem Sammel- oder Recycling-Zentrum gemäß der örtlichen oder gesetzlichen Vorschriften.</li> <li>• Der Verbraucher spielt bei der Reduzierung von Müll eine große Rolle. Recyclen Sie dieses elektrische bzw. elektronische Gerät.</li> <li>• Recyclen verhindert, dass gefährliche Materialien in den Haushaltsmüll gelangen.</li> <li>• Das Symbol eines durchgestrichenen Mülleimers erinnert den Bediener daran, dieses Produkt nicht in den allgemeinen Müll zu werfen.</li> </ul>
---	---

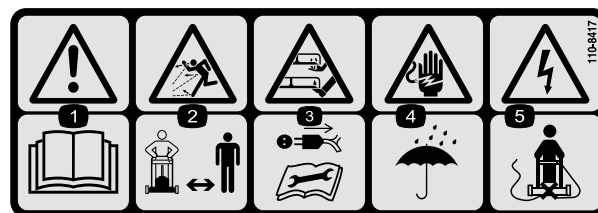
## Sicherheits- und Bedienungsschilder

**Wichtig:** Sicherheits- und Bedienungsschilder sind in der Nähe potenzieller Gefahrenbereiche angebracht. Ersetzen Sie beschädigte oder verlorene Schilder.



110-1168

1. Aus
2. Ein
3. Zum Einkuppeln des Mähwerks müssen Sie bei gedrückter Taste den Schaltbügel zurück ziehen.



110-8417

1. Warnung: Lesen Sie die *Bedienungsanleitung*.
2. Gefahr durch fliegende Teile: Achten Sie darauf, dass Unbeteiligte den Sicherheitsabstand zum Gerät einhalten.
3. Achtung: Fassen Sie nicht das sich drehende Messer an. Ziehen Sie das Stromkabel ab und lesen Sie die Anweisungen, bevor Sie Kundendienst- oder Wartungsarbeiten ausführen.
4. Gefahr eines elektrischen Schlags: Setzen Sie die Maschine nicht im Regen oder nassen Bedingungen ein.
5. Gefahr eines elektrischen Schlags, Durchtrennen des Elektrokabels: Schieben Sie die Maschine nicht über das Stromkabel.

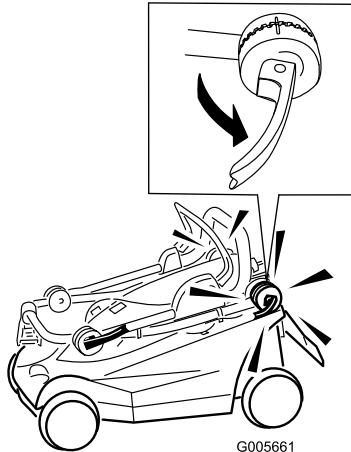


# Einrichtung

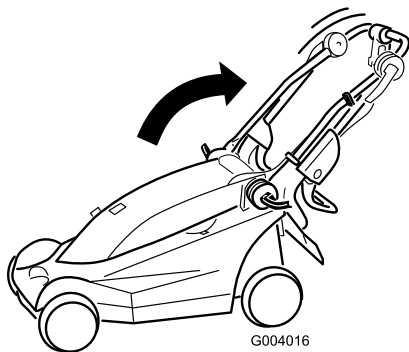
**Hinweis:** Schließen Sie den Rasenmäher erst an eine Steckdose an, wenn er komplett montiert ist.

## 1. Aufklappen des Griffs

### Verfahren

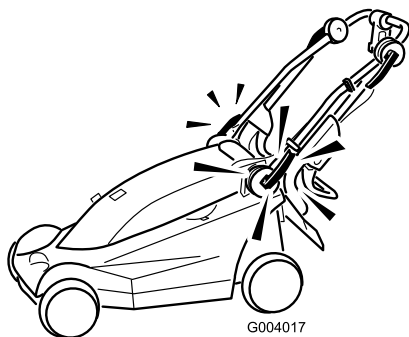


**Bild 1**

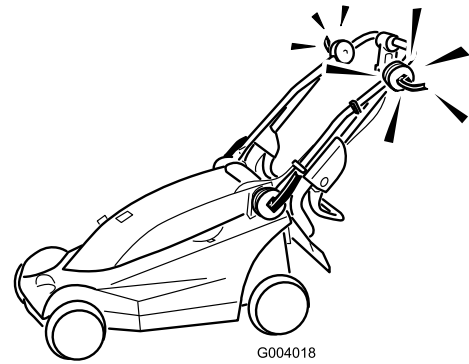


**Bild 2**

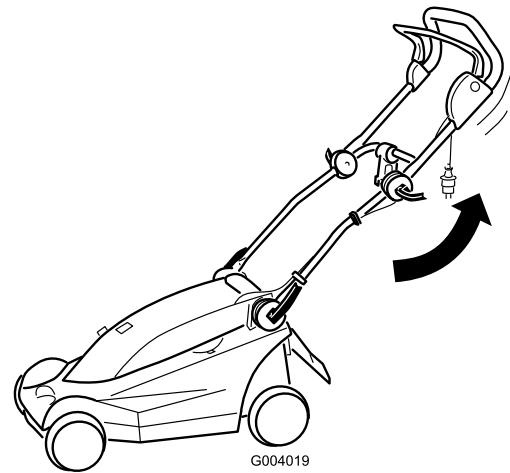
1. Richten Sie die Markierungen aus



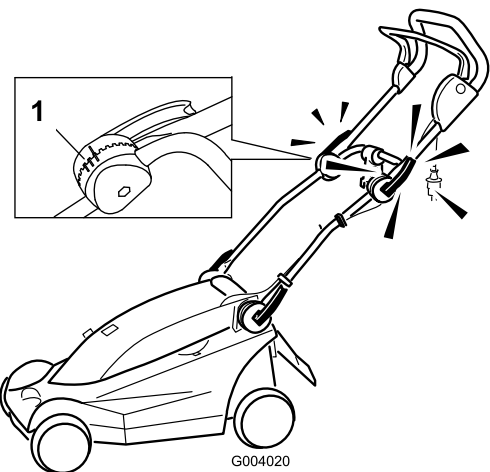
**Bild 3**



**Bild 4**



**Bild 5**



**Bild 6**

1. Markierungen für die Griffpositionen

**Hinweis:** Sie können den oberen Griff auf die Stellung 1 bis 3 einstellen. Richten Sie die Markierung mit einer der 3 Markierungen an der Innenseite der oberen Griffarretierung aus (Bild 6).

## 2. Zusammenbau des Grasfangkorbs

1	Oberseite des Grasfangkorbs
2	Grasfangkorbseite

### Verfahren

**Wichtig:** Führen Sie die Schritte in der angegebenen Reihenfolge aus.

1. Schieben Sie die Seite in die Riegel oben (Bild 7).

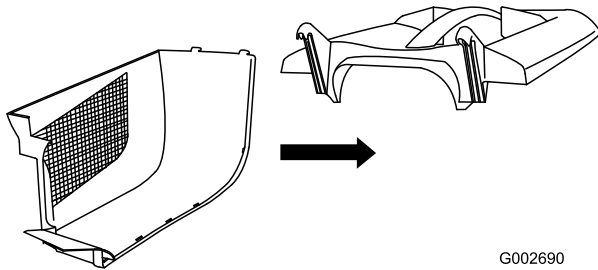


Bild 7

2. Schieben Sie die andere Seite in die Riegel oben und verriegeln Sie die Rückseite der beiden Seiten (Bild 8).

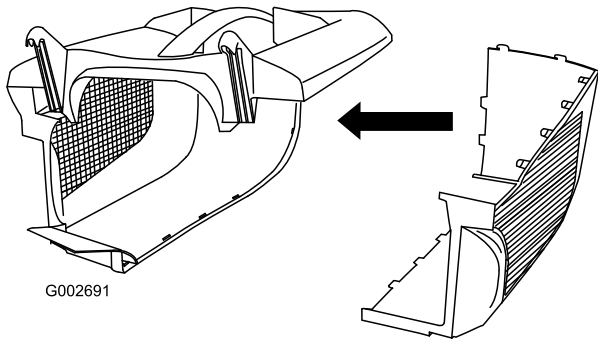


Bild 8

3. Fangen Sie hinten an und richten Sie die restlichen Seitenriegel aus und drücken Sie sie zusammen (Bild 9).

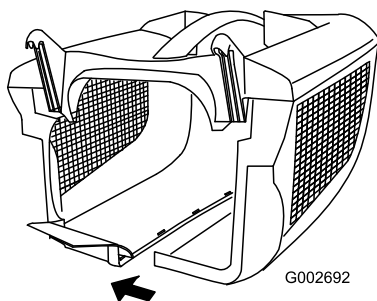


Bild 9

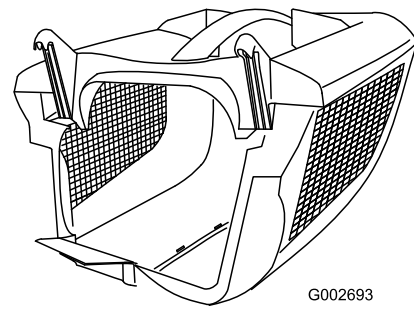


Bild 10

## Produktübersicht

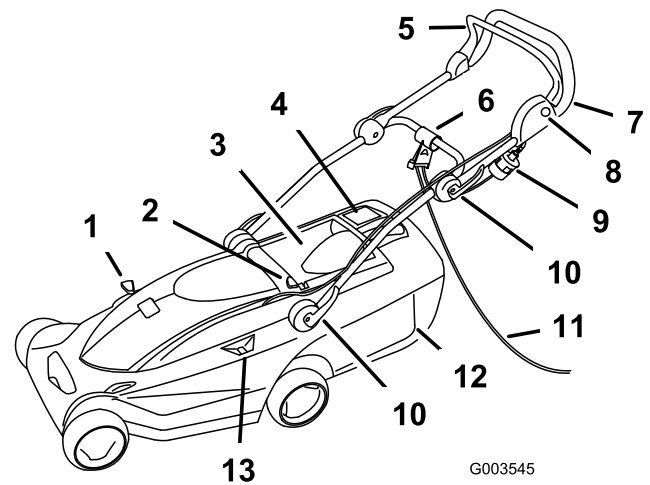


Bild 11

- |   |   |
|---|---|
| 1. Hebel für Recycling/Auffangen            | 8. Taste                                  |
| 2. Taste für das Einstellen der Schnitthöhe | 9. Stecker                                |
| 3. Hecktür                                  | 10. Griffriegel (4)                       |
| 4. Füllstandanzeige des Grasfangkorbs       | 11. Verlängerungskabel (falls zutreffend) |
| 5. Schaltbügel                              | 12. Grasfangkorb                          |
| 6. Kabelzungentlastung                      | 13. Schnitthöhe                           |
| 7. Griff                                    |   |

# Technische Daten

Modell	21080	21081	21082	21090	21091	21092
Gewicht	16 kg	17 kg	16 kg	19 kg	20 kg	19 kg
Länge	137 cm	137 cm	137 cm	145 cm	145 cm	145 cm
Breite	39 cm	39 cm	39 cm	45 cm	45 cm	45 cm
Nominelle Schnittbreite	34 cm	34 cm	34 cm	41 cm	41 cm	41 cm
Nomineller Schnitthöhenbereich	20 bis 75 mm	20 bis 75 mm	20 bis 75 mm	20 bis 75 mm	20 bis 75 mm	20 bis 75 mm
Fassungsvermögen des Grasfangkorbs	32 L	32 L	32 L	40 L	40 L	40 L
Nominelle Motordrehzahl	3000 U/min	3000 U/min	3000 U/min	3000 U/min	3000 U/min	3000 U/min
Volt und Frequenz	230 V/ 50 Hz	230 V/ 50 Hz	230 V/ 50 Hz	230 V/ 50 Hz	230 V/ 50 Hz	230 V/ 50 Hz
Strom	1,2 kW	1,2 kW	1,2 kW	1,2 kW	1,2 kW	1,2 kW

## Betrieb

### Befestigen des Verlängerungskabels

**Hinweis:** Dieses Verfahren gilt für Rasenmäher, für die ein Verlängerungskabel benötigt wird.

Verwenden Sie nur Verlängerungskabel, die im Freien eingesetzt werden dürfen.

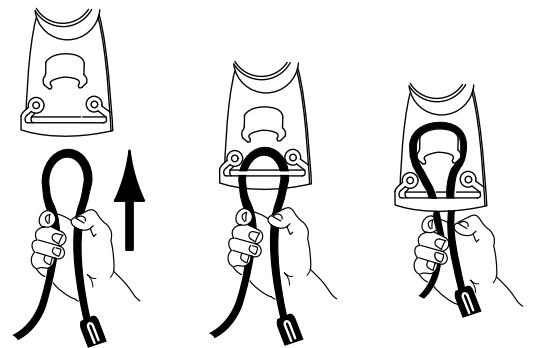


Bild 12

G002648

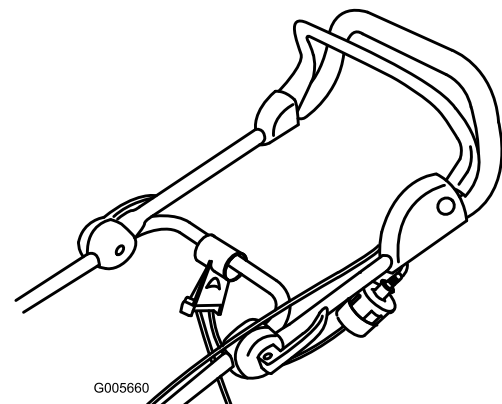


Wenn Sie beim Einsatz des Rasenmähers mit Wasser in Berührung kommen, kann dies zu einem elektrischen Schlag führen, der zu Verletzungen oder sogar tödlichen Verletzungen führen kann.

- Fassen Sie den Stecker oder den Rasenmäher nicht mit nassen Händen an, oder wenn Sie im Wasser stehen.
- Verwenden Sie nur Verlängerungskabel die für den Einsatz im Freien geeignet und zugelassen sind.

1. Machen Sie im Verlängerungskabel eine Schleife und befestigen Sie sie in der Kabelarretierung (Bild 12).

2. Stecken Sie das Verlängerungskabel in die Buchse am Rasenmäher (Bild 13).



G005660

Bild 13

**Hinweis:** Ziehen Sie das Verlängerungskabel nicht durch Ziehen am Kabel ab. Fassen Sie den

Stecker und nicht das Kabel an, wenn Sie das Kabel entfernen möchten.



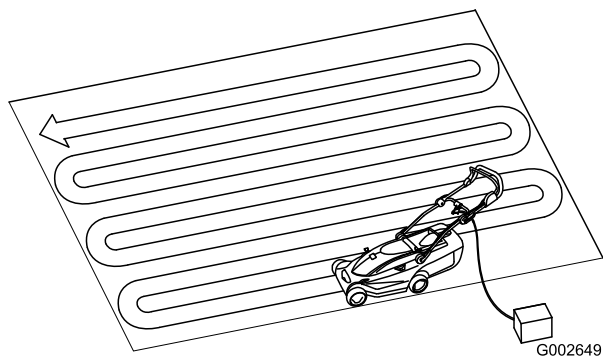
**Das Elektrokabel kann beschädigt werden und einen Schlag oder Brand verursachen.**

**Prüfen Sie das Elektrokabel gründlich, bevor Sie den Rasenmäher einsetzen. Setzen Sie den Rasenmäher nicht ein, wenn das Kabel beschädigt ist. Lassen Sie das Kabel sofort von einem offiziellen Vertragshändler von Toro auswechseln oder reparieren.**

## Planen des Mähmusters

Wenn Sie sich an das vorgeschlagene Mähmuster halten, verringern Sie das Risiko, mit dem Rasenmäher über das Kabel zu fahren. Außerdem wird das Kabel nicht unnötig abgenutzt. Achten Sie darauf, dass sich das Kabel nicht um Bäume, Sträucher oder andere Hindernisse wickelt.

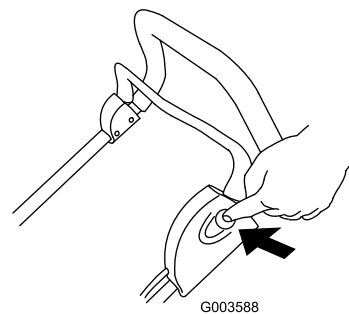
Fangen Sie das Mähen in der Nähe der Steckdose an. Mähen Sie hin und her und mähen Sie mit zunehmender Distanz zur Steckdose (Bild 14).



**Bild 14**

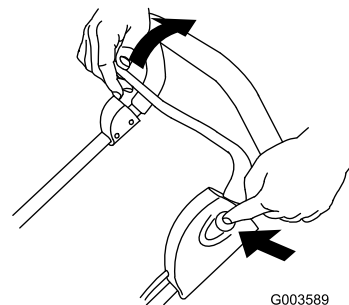
## Anlassen des Motors

1. Schließen Sie das Verlängerungskabel am Rasenmäher (falls zutreffend) an.
2. Stecken Sie das andere Ende des Kabels in eine normale Steckdose.
3. Drücken Sie die Taste links am Griff und halten Sie sie gedrückt (Bild 15).



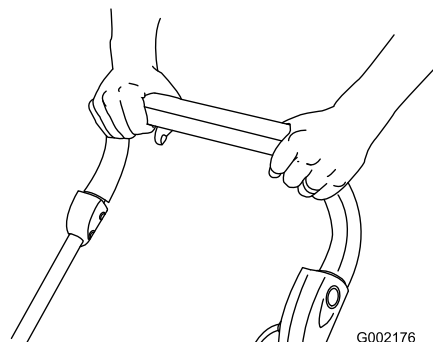
**Bild 15**

4. Ziehen Sie den Schaltbügel bei gedrückter Taste zum Griff (Bild 16).



**Bild 16**

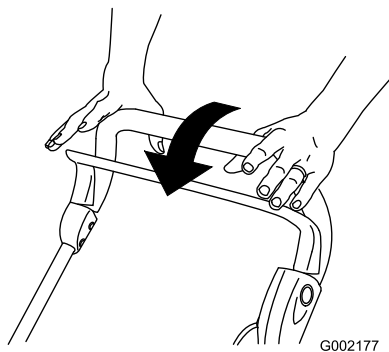
5. Halten Sie den Schaltbügel zum Griff und lassen Sie die Taste los (Bild 17).



**Bild 17**

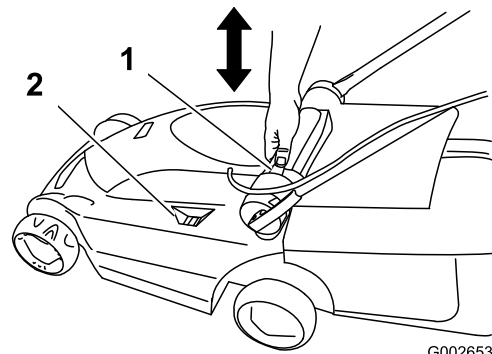
## Abstellen des Motors

1. Lassen Sie den Schaltbügel los (Bild 18).



**Bild 18**

G002177



**Bild 19**

G002653

2. Ziehen Sie den Anschlußstecker aus der Steckdose, wenn Sie den Rasenmäher unbeaufsichtigt lassen.

## Einstellen der Schnitthöhe

Der Rasenmäher hat 6 Einstellungen für die Schnitthöhe (alle Werte sind ungefähre Angaben): A=20 mm, B=31 mm, C=42 mm, D=53 mm, E=64 mm und F=75 mm.



**Beim Einstellen der Schnitthöhe können Hände oder Füße mit einem drehenden Messer in Kontakt geraten, was zu schweren Verletzungen führen kann.**

**Stellen Sie den Motor ab und warten Sie den Stillstand aller beweglichen Teile ab, bevor Sie die Schnitthöhe einstellen.**

1. Stellen Sie den Motor ab und warten Sie, bis alle beweglichen Teile zum Stillstand gekommen sind.
2. Drücken Sie mit dem Daumen auf die Taste zum Einstellen der Schnitthöhe und drücken Sie den Schnitthöhenhebel nach unten oder ziehen Sie ihn nach oben, bis Sie die gewünschte Einstellung auf der Schnitthöhenanzeige erreicht haben (Bild 19).

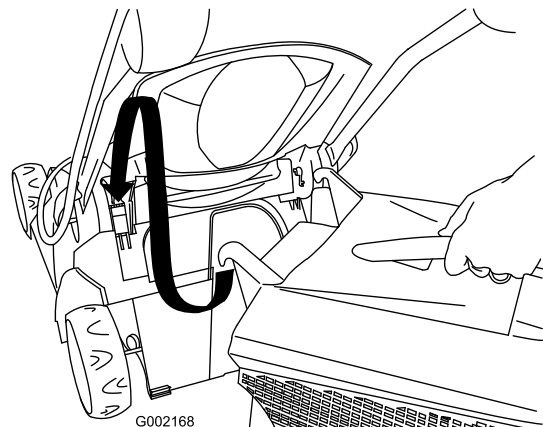
1. Taste für das Einstellen der Schnitthöhe
2. Schnitthöhe

3. Lassen Sie die Taste für das Einstellen der Schnitthöhe los.

## Sammeln des Schnittguts

Setzen Sie den Grasfangkorb ein, um das Schnittgut zu sammeln.

1. Heben Sie die hintere Klappe an und setzen Sie den Grasfangkorb am Rasenmäher ein (Bild 20).

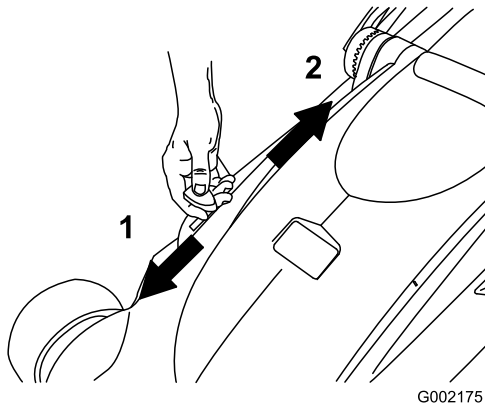


G002168

**Bild 20**

2. Lassen Sie die hintere Klappe wieder los.
3. Schieben Sie den Hebel für Recycling/Auffangen in die Stellung zum Auffangen (Bild 21).

# Tipps zum Rasenmähen



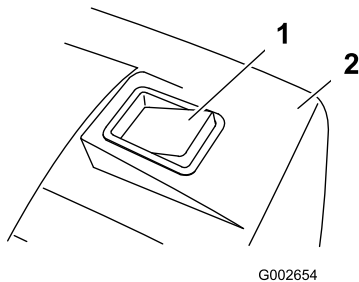
**Bild 21**

1. Stellung zum Auffangen
2. Stellung zum Recycling
3. Hebel für Recycling/Kollektieren



**Bild 23**

4. Mähen Sie mit dem eingesetzten Grasfangkorb, bis die Anzeige am Grasfangkorb anzeigt, dass der Grasfangkorb voll ist (Bild 22).



**Bild 22**

1. Grasfangkorbanzeige (Grasfangkorb ist voll)
2. Grasfangkorb

5. Nehmen Sie den Grasfangkorb vom Rasenmäher ab und leeren Sie das Schnittgut aus.

**Hinweis:** Wenn Sie vom Auffangen zum Recycling wechseln möchten, schieben Sie den Hebel für Recycling/Auffangen in die Stellung zum Recycling (Bild 21) und nehmen Sie den Grasfangkorb ab.

Halten Sie sich an diese Anweisungen, wenn Sie Gras oder Laub schneiden, um die besten Mähergebnisse und das beste Schnittbild zu erhalten.

- Halten Sie die Messer während der ganzen Mähseason **scharf**.
- Achten Sie beim Mähen der einzelnen Mähbahnen auf eine Überlappung von ca. 4 cm.
- **Mähen Sie nur trockenes Gras.** Nasses Gras neigt zum Verklumpen im Garten und kann ein Verstopfen des Rasenmähers und ein Abstellen des Motors verursachen. Das Gras oder Laub kann auch rutschig sein, sodass Sie rutschen oder fallen können.
- Wenn Sie sehr hohes Gras schneiden, sollten Sie zuerst mit der höchsten Schnitthöhe und einer langsamen Gehgeschwindigkeit schneiden. Mähen Sie dann noch einmal mit einer niedrigeren Einstellung, um das beste Schnittbild zu erhalten.
- Probieren Sie bei einem unbefriedigenden Erscheinungsbild der Rasenfläche eine der folgenden Abhilfen aus:
  - Schärfen Sie das Messer.
  - Gehen Sie beim Mähen langsamer.
  - Stellen Sie eine höhere Schnitthöhe am Rasenmäher ein.
  - Mähen Sie häufiger.
  - Lassen Sie die Bahnen überlappen, anstelle bei jedem Gang eine neue Bahn zu mähen.

# Wartung

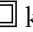
Dieses Produkt von Toro wurde speziell entwickelt, um Ihnen viele Jahre problemlos zu dienen. Sollte das Gerät repariert werden müssen, bringen Sie es zu einem offiziellen Vertragshändler von Toro.



**Wenn der Rasenmäher an eine Steckdose angeschlossen ist, kann er verwendet werden. Der Rasenmäher könnte aus Versehen gestartet werden und Sie oder andere Personen schwer verletzen.**

**Ziehen Sie den Anschlußstecker immer aus der Steckdose, wenn Sie den Rasenmäher verlassen.**

## Doppelt isolierte Geräte

Ihr Rasenmäher ist ein sog. doppelt isoliertes Gerät, bei welchem keine Erdung durch eine dritte Leitung vorhanden ist. Es sollte auch keine Erdung vorgesehen werden. Reparaturen an einem doppelt isoliertem Gerät müssen sorgfältig und mit Kenntnis des Systems ausgeführt werden. Diese Arbeiten sollten nur von fachlich geschultem Personal bei einem offiziellen Vertragshändler von Toro ausgeführt werden. Ersatzteile für ein doppelt isoliertes Gerät müssen identisch zu dem Teil sein, das Sie ersetzen. Ein doppelt isoliertes Gerät ist mit den Worten „Doppelisolierung“ oder „Doppelt isoliert“ markiert. Das Symbol (Rechteck in einem Rechteck)  kann auch auf dem Gerät vorhanden sein.

## Reinigen des Rasenmähergehäuses

Reinigen Sie das Rasenmähergehäuse nach jedem Einsatz.

Stellen Sie den Motor ab, bevor Sie mit den Reinigungsarbeiten beginnen, warten Sie bis alle beweglichen Teile zum Stillstand gekommen sind und schließen Sie den Rasenmäher von der Steckdose ab.

**Wichtig: Reinigen Sie den Rasenmäher nicht mit Wasser. Feuchtigkeit kann im Rasenmäher zurück bleiben und zu Korrosion bei den internen Teilen führen.**

- Reinigen Sie die Unterseite des Rasenmähergehäuses. Entfernen Sie die Schmutz- und Schnittgutrückstände mit einem Hartholzschaber.

- Entfernen Sie Rückstände von den Entlüftungsschlitzen oben am Rasenmähergehäuse.
- Entfernen Sie alle Rückstände am Rasenmähergehäuse mit einer Bürste.
- Prüfen Sie die Steckdose auf Schmelz- oder Überhitzungsanzeichen. Alte, abgenutzte Stecker von Verlängerungskabeln, die lose in der Steckdose sitzen, können aufgrund des schlechten Kontakts zum Überhitzen führen. Wechseln Sie beschädigte Verlängerungskabel sofort aus.

## Warten des Messers

Mähen Sie immer mit einem scharfen Messer. Ein scharfes Messer mäht sauber, ohne Grashalme zu zerreißen oder zu zerschneiteln.

Ersetzen Sie das Messer nur durch ein Originalmesser von Toro.



**Der Rasenmäher könnte aus Versehen gestartet werden und Sie oder andere Personen schwer verletzen.**

**Ziehen Sie den Anschlußstecker aus der Steckdose, bevor Sie das Messer prüfen, abnehmen oder auswechseln.**

1. Stellen Sie den Motor ab und warten Sie, bis alle beweglichen Teile zum Stillstand gekommen sind.
2. Ziehen Sie den Anschlußstecker aus der Steckdose.
3. Kippen Sie den Rasenmäher seitlich.
4. Prüfen Sie vorsichtig die Schärfe und Abnutzung des Messers, besonders an den Stellen, an denen sich flache und gebogene Teile berühren. Wenn Sie Abnutzungen feststellen, sollten Sie das Messer auswechseln.

**Hinweis:** Montieren Sie für die optimale Leistung vor dem Saisonbeginn ein neues Messer. Feilen Sie während der Saison kleine Kerben am Messer aus, um die Schnittkante zu erhalten.



Ein abgenutztes oder defektes Messer kann zerbrechen. Messerstücke, die ausgeschleudert werden, können den Bediener oder Unbeteiligte treffen und schwere oder tödliche Verletzungen verursachen.

Prüfen Sie das Messer regelmäßig auf Abnutzung und Beschädigung und wechseln Sie ein abgenutztes oder beschädigtes Messer aus.

## Entfernen des Messers

1. Fassen Sie das Ende des Messers mit einem stark wattierten Handschuh oder einem Lappen an (Bild 24).

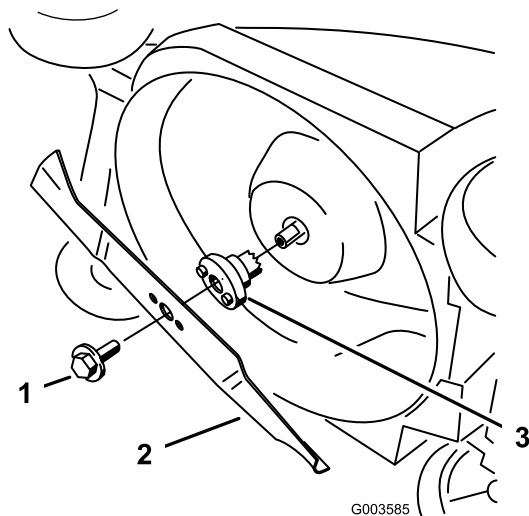


Bild 24

- |                   |                  |
|-------------------|------------------|
| 1. Messerschraube | 3. Messeradapter |
| 2. Messer         |                  |

2. Entfernen Sie die Messerschraube und das Schnittmesser.

**Wichtig:** Wenn sich der Messeradapter löst, stellen Sie sicher, dass Sie ihn montieren, bevor Sie das Messer und die Messerschraube einsetzen. Wenn Sie den Rasenmäher ohne Messeradapter einsetzen, wird der Mäher beschädigt.

## Schärfen des Messers

Schärfen Sie die Oberseite des Messers mit einer Feile und erhalten Sie den ursprünglichen Schnittwinkel.

**Hinweis:** Das Messer bleibt ausgewuchtet, wenn Sie die gleiche Menge Metall von beiden Schnittkanten entfernen.

**Wichtig:** Überprüfen Sie das Mähermesser auf Unwucht auf einer geeigneten Abgleicheinrichtung. Ihr Fachhändler bietet dies günstig an. Ein ausgewuchtetes Messer bleibt in der Balance, ein nicht ausgewuchtetes Messer senkt sich auf einer Seite ab. Wenn das Messer nicht ausgewuchtet ist, muss Material von der schwereren Seite abgetragen werden.

## Montieren des Messers

Montieren Sie ein scharfes, ausgewuchtetes Messer und die Messerschraube. Die Windflügel müssen nach oben in Richtung Rasenmähergehäuse weisen. Ziehen Sie die Schnittmesserschraube auf 15 Nm an.

## Warten der Ein-/Ausschaltanlage und der Messerbremsanlage

Motor und Messer bleiben 3 Sekunden nach dem Loslassen des Schaltbügels stehen. Vergewissern Sie sich vor jedem Einsatz des Rasenmähers, ob der Schaltbügel richtig funktioniert. Wenn das Messer nicht innerhalb von 3 Sekunden zum Stillstand kommt, oder Sie ein Geräusch hören, dass Metall auf Metall schleift oder kratzt, wenn Sie den Schaltbügel loslassen, wenden Sie sich an den offiziellen Vertragshändler von Toro. Die gleiche Empfehlung gilt, wenn starke Vibrationen beim Betrieb des Mähers festgestellt werden.

## Einlagerung

Stellen Sie den Rasenmäher an einem kühlen, sauberen und trockenen Ort ab, der nicht für Kinder zugänglich ist. Decken Sie den Rasenmäher ab, um ihn sauber und geschützt zu halten.

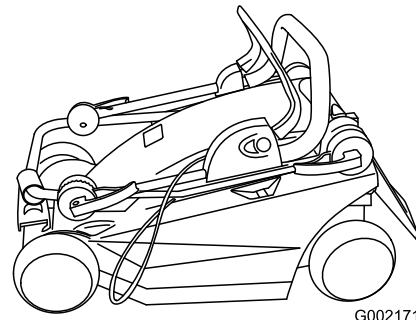


Bild 25

1. Reinigen Sie das Mähergehäuse.
2. Prüfen Sie den Messerzustand.



# Fehlersuche und -behebung

Problem	Mögliche Ursache	Behebungsmaßnahme
Motor springt nicht an	<ol style="list-style-type: none"> <li>1. Das Verlängerungskabel ist nicht am Rasenmäher angeschlossen.</li> <li>2. Das Verlängerungskabel ist beschädigt.</li> <li>3. Die Sicherung oder der Schutzschalter ist durchgebrannt.</li> </ol>	<ol style="list-style-type: none"> <li>1. Schließen Sie das Verlängerungskabel am Rasenmäher an und stecken Sie das andere Ende des Kabels in eine normale Steckdose.</li> <li>2. Prüfen Sie das Verlängerungskabel und reparieren Sie beschädigte Kabel.</li> <li>3. Prüfen Sie die Sicherung an der Steckdose oder den Schutzschalter.</li> </ol>
Motor springt schwer an oder verliert Leistung.	<ol style="list-style-type: none"> <li>1. Der Auswurfkanal des Rasenmähers ist verstopft.</li> <li>2. Die Unterseite des Mähwerkgehäuses muss gesäubert werden.</li> <li>3. Der Mäher ist zu tief eingestellt.</li> </ol>	<ol style="list-style-type: none"> <li>1. Reinigen Sie den Auswurfkanal des Rasenmähers.</li> <li>2. Reinigen Sie die Unterseite des Mähwerkgehäuses.</li> <li>3. Stellen Sie den Mäher in eine höhere Schnittstufe und starten Sie so den Rasenmähermotor.</li> </ol>
Der Rasenmäher oder der Motor vibrieren stark.	<ol style="list-style-type: none"> <li>1. Das Messer ist nicht ausgewuchtet.</li> <li>2. Die Befestigungsschraube des Messers ist lose.</li> <li>3. Der Auswurfkanal des Rasenmähers ist verstopft.</li> <li>4. Die Unterseite des Mähwerkgehäuses muss gesäubert werden.</li> <li>5. Die Motorbefestigungsschrauben sind lose.</li> </ol>	<ol style="list-style-type: none"> <li>1. Wuchten Sie das Messer aus.</li> <li>2. Ziehen Sie die Befestigungsschraube des Messers an.</li> <li>3. Reinigen Sie den Auswurfkanal des Rasenmähers.</li> <li>4. Reinigen Sie die Unterseite des Mähwerkes.</li> <li>5. Ziehen Sie die Motorbefestigungsschrauben an.</li> </ol>
Ungleichmäßiges Schnittmuster	<ol style="list-style-type: none"> <li>1. Das Messer ist stumpf oder nicht ausgewuchtet.</li> <li>2. Sie mähen bei jedem Mähen dasselbe Muster.</li> <li>3. Die Unterseite des Mähwerkgehäuses muss gesäubert werden.</li> </ol>	<ol style="list-style-type: none"> <li>1. Schärfen und wuchten Sie das Messer aus.</li> <li>2. Ändern Sie das Mähmuster.</li> <li>3. Reinigen Sie die Unterseite des Mähwerkes.</li> </ol>
Der Auswurfkanal verstopft	<ol style="list-style-type: none"> <li>1. Die Schnitthöhe ist zu niedrig.</li> <li>2. Sie mähen nasses Gras.</li> <li>3. Die Unterseite des Mähwerkgehäuses muss gesäubert werden.</li> </ol>	<ol style="list-style-type: none"> <li>1. Verwenden Sie eine höhere Schnitthöhe.</li> <li>2. Lassen Sie das Gras vor dem Mähen abtrocknen.</li> <li>3. Reinigen Sie die Unterseite des Mähwerkes.</li> </ol>

## International Distributor List—Consumer Products

<b>Distributor:</b>	<b>Country:</b>	<b>Phone Number:</b>
Atlantis Su ve Sulama Sistemleri Lt	Turkey	90 216 344 86 74
Balama Prima Engineering Equip	Hong Kong	852 2155 2163
B-Ray Corporation	Korea	82 32 551 2076
Casco Sales Company	Puerto Rico	787 788 8383
Ceres S.A	Costa Rica	506 239 1138
CSSC Turf Equipment (pvt) Ltd	Sri Lanka	94 11 2746100
Cyril Johnston & Co	Nothern Ireland	44 2890 813 121
Equivier	Mexico	52 55 539 95444
Femco S.A.	Guatemala	502 442 3277
G.Y.K. Company Ltd.	Japan	81 726 325 861
Geomechaniki of Athens	Greece	30 10 935 0054
Guandong Golden Star	China	86 20 876 51338
Hako Gorund and Garden	Sweden	46 35 10 0000
Hydroturf Int. Co	Dubai United Arab Emirates	97 14 347 9479
Hydroturf Egypt LLC	Egypt	202 519 4308
Ibea S.p.A.	Italy	39 0331 853611
Irriamc	Portugal	351 21 238 8260
Jean Heybroek b.v.	Netherlands	31 30 639 4611
Lely (U.K. ) Limited	United Kingdom	44 1480 226 800
Maquiver S.A.	Colombia	57 1 236 4079
Maruyama Mfg. Co. Inc.	Japan	81 3 3252 2285
Metra Kft	Hungary	36 1 326 3880
Mountfield a.s.	Czech Republic	420 255 704 220
Munditol S.A.	Argentina	54 11 4 821 9999
Oslinger Turf Equipment SA	Ecuador	593 4 239 6970
Oy Hako Ground and Garden Ab	Finland	358 987 00733
Parkland Products Ltd	New Zealand	64 3 34 93760
Prochaska & Cie	Austria	43 1 278 5100
RT Cohen 2004 Ltd	Israel	972 986 17979
Riversa	Spain	34 9 52 83 7500
Roth Motorgerate GmBh & Co	Germany	49 7144 2050
Sc Svend Carlsen A/S	Denmark	45 66 109 200
Solvert S.A.S	France	33 1 30 81 77 00
Spypros Stavrinides Limited	Cyprus	357 22 434131
Surge Systems India Limited	India	91 1 292299901
T-Markt Logistics Ltd	Hungary	36 26 525 500
Toro Australia	Australia	61 3 9580 7355
Toro Europe BVBA	Belgium	32 14 562 960



## Toro Garantie

### Bedingungen und abgedeckte Produkte

The Toro® Company und die Vertragshändler, die Toro Warranty Company, gewährleisten dem Originalkäufer im Rahmen eines gegenseitigen Abkommens jedes Produkts von Toro, das für den Normalgebrauch verwendet wird, zu reparieren, wenn das Produkt Material- oder Herstellungsfehler aufweist. Die folgenden Garantiezeiträume gelten ab dem Kaufdatum:

Produkte	Garantiezeitraum
Handrasenmäher mit Selbstantrieb	2-jährige eingeschränkte Garantie
Aufsitzrasenmäher mit Heckmotor	2-jährige eingeschränkte Garantie
Rasen- und Gartentraktore	2-jährige eingeschränkte Garantie
Tragbare Elektroprodukte	2-jährige eingeschränkte Garantie
Schneefräsen	2-jährige eingeschränkte Garantie
Verbraucherprodukt mit Null-Wenderadius	2-jährige eingeschränkte Garantie

Originalkäufer bedeutet die Person, die die Produkte von Toro neu gekauft hat. Normaler Privatgebrauch bedeutet die Verwendung des Produktes auf demselben Grundstück wie das Eigenheim. Der Einsatz an mehreren Standorten wird als kommerzieller Gebrauch eingestuft, und in diesen Situationen würde die kommerzielle Garantie gelten.

### Eingeschränkte Garantie für kommerziellen Gebrauch

Verbraucherprodukte und Zubehör von Toro, die für kommerziellen, institutionellen oder Leihgebrauch verwendet werden, werden für die folgenden Zeiträume ab Kaufdatum mit einer Garantie für Material- und Herstellungsfehler abgedeckt.

Produkte	Garantiezeitraum
Handrasenmäher mit Selbstantrieb	90-tägige Garantie
Aufsitzrasenmäher mit Heckmotor	90-tägige Garantie
Rasen- und Gartentraktore	90-tägige Garantie
Tragbare Elektroprodukte	90-tägige Garantie
Schneefräsen	90-tägige Garantie
Verbraucherprodukt mit Null-Wenderadius	45-tägige Garantie

### Anweisungen für die Inanspruchnahme von Wartungsarbeiten unter Garantie

Halten Sie dieses Verfahren ein, wenn Sie der Meinung sind, dass Ihre Produkte von Toro Material- oder Herstellungsfehler aufweisen.

1. Wenden Sie sich an die Verkaufsstelle, um einen Kundendienst für das Produkt zu vereinbaren. Wenn Sie den Verkäufer nicht kontaktieren können, können Sie sich auch an jeden offiziellen Vertragshändler von Toro wenden.
2. Bringen Sie das Produkt und einen Kaufnachweis (Rechnung) zur Verkaufsstelle oder dem Händler.

Wenn Sie mit der Analyse oder dem Support des Vertragshändlers nicht zufrieden sind, wenden Sie sich an den Importeur von Toro oder an uns:

Customer Care Department, Consumer Division  
Toro Warranty Company  
8111 Lyndale Avenue South  
Bloomington, MN 55420-1196  
Manager: Technical Product Support: 001-952-887-8248

Siehe beiliegende Liste der Vertragshändler

### Verantwortung des Eigentümers

Sie müssen das Produkt von Toro pflegen und die in der Bedienungsanleitung aufgeführten Wartungsarbeiten ausführen. Für solche Routinewartungsarbeiten, die von Ihnen oder einem Händler durchgeführt werden, kommen Sie auf.

### Nicht von der Garantie abgedeckte Punkte und Bedingungen

Diese ausdrückliche Garantie schließt Folgendes aus:

- Kosten für regelmäßige Wartungsarbeiten oder Teile, wie z. B. Filter, Kraftstoff, Schmiermittel, Einstellen von Teilen, Schärfen der Messer, Einstellen der Bremsen oder der Kupplung.
- Jedes Produkt oder Teil, das modifiziert oder missbraucht oder Ersatz oder Reparatur aufgrund von normaler Abnutzung, Unfällen oder falscher Wartung erfordert.
- Reparaturen, die aufgrund von falschem Kraftstoff, Verunreinigungen in der Kraftstoffanlage oder falscher Vorbereitung der Kraftstoffanlage vor einer Einlagerung von mehr als drei Monaten zurückzuführen sind.
- Motor und Getriebe. Diese Teile werden von den entsprechenden Herstellergarantien mit eigenen allgemeinen Geschäftsbedingungen abgedeckt.

Alle von dieser Garantie abgedeckten Reparaturen müssen von einem offiziellen Kundendienst-Vertragshändler von Toro mit den offiziellen Ersatzteilen von Toro ausgeführt werden.

### Allgemeine Bedingungen

Für den Käufer gelten die gesetzlichen Vorschriften jedes Landes. Die Rechte, die dem Käufer aus diesen gesetzlichen Vorschriften zustehen, werden nicht von dieser Garantie eingeschränkt.



# 34cm a 41cm elektrické travní sekačky Eurocycler™

Číslo modelu 21080—Výrobní číslo 270A00001 a vyšší

Číslo modelu 21081—Výrobní číslo 270B00001 a vyšší

Číslo modelu 21082—Výrobní číslo 270C00001 a vyšší

Číslo modelu 21090—Výrobní číslo 270D00001 a vyšší

Číslo modelu 21091—Výrobní číslo 270E00001 a vyšší

Číslo modelu 21092—Výrobní číslo 270F00001 a vyšší

## Návod k obsluze

## Obsah

Úvod.....	1
Bezpečnost.....	1
Postupy bezpečné obsluhy.....	2
Akustický tlak.....	2
Akustický výkon.....	2
Vibrace rukou/paží.....	3
.....	3
Směrnice o použitých elektrických a elektronických zařízeních (WEEE).....	3
Bezpečnostní a instrukční štítky.....	3
Nastavení.....	3
1.Rozložení držadla.....	3
2.Sestavení zásobníku na trávu.....	4
Součásti stroje.....	5
Technické údaje.....	6
Obsluha.....	6
Zajištění prodlužovacího kabelu.....	6
Plánování způsobu sekání.....	7
Spuštění motoru.....	7
Zastavení motoru.....	7
Nastavování výšky sekání.....	7
Sbírání trávy.....	8
Rady pro sekání.....	9
Údržba.....	9
Dvojitá izolace.....	9
Čištění krytu sekačky.....	9
Údržba žacího nože.....	10
Údržba zapínání/vypínání a brzdového systému žacího nože.....	11
Uskladnění.....	11
Odstraňování závad.....	12

## Úvod

Tato travní sekačka byla zkonstruována jen pro použití na soukromém pozemku v bytové zóně. Nesmí se používat pro komerční účely na veřejných pozemcích.

Děkujeme vám, že jste si vybrali elektrickou travní sekačku Toro pro použití v obytné zóně. Přečtěte

si pozorně tuto příručku, abyste se naučili řádně používat vaši travní sekačku a pečovat o ni. Informace obsažené v této příručce mohou pomoci vám a jiným předejít zranění osob a poškození výrobku. Ačkoli Toro konstruuje a vyrábí bezpečné výrobky, za řádnou a bezpečnou obsluhu stroje odpovídáte vy.

Předpisy pro provoz travních sekaček se liší od jedné oblasti k druhé. Poradte se s místními orgány o předpisech a omezeních ohledně povolené doby sekání ve vaší oblasti.

## Bezpečnost

Před spuštěním motoru si musíte přečíst tuto příručku a porozumět jejímu obsahu.

**⚠ Toto je bezpečnostní výstražný symbol. Používá se k upozornění na hrozící nebezpečí úrazu. Dodržujte všechna bezpečnostní upozornění, která následují za tímto symbolem, abyste zabránili možnému poranění nebo smrtelnému úrazu.**

Nesprávné používání nebo údržba této travní sekačky může způsobit poranění nebo usmrcení osob. Aby se toto riziko snížilo, dodržujte následující bezpečnostní pokyny.



Abyste snížili riziko požáru, úrazu elektrickým proudem a poranění osob při používání této elektrické travní sekačky, vždy dodržujte tyto bezpečnostní pokyny.

Následující bezpečnostní informace jsou převzaty z evropské normy EN 836:1997 a CEI/IEC 60335-77:2001.

# Postupy bezpečné obsluhy

## Všeobecné informace

- Pečlivě si přečtete pokyny. Důkladně se seznamte s ovládním a řádným používáním zařízení.
- Nikdy nedovolte používat tuto travní sekačku dětem ani dospělým osobám, které nejsou seznámeny s těmito pokyny. Místní předpisy mohou určovat věkovou hranici provozovatele.
- Nikdy nepracujte se sekačkou v blízkosti jiných osob, zejména dětí, nebo domácích zvířat.
- Obsluha nebo uživatel odpovídá za úrazy a ohrožení jiných osob nebo jejich majetku.

## Příprava

- Při sekání mějte na sobě vždy pevnou obuv a dlouhé kalhoty. Nepoužívejte zařízení, pokud jste bosí nebo máte volné sandály.
- Pečlivě zkontrolujte celou oblast, ve které se strojem hodláte pracovat, a odstraňte všechny předměty, které by stroj mohl odmrštit.
- Před použitím vždy zkontrolujte žací nože, jejich šrouby a sestavu žací hlavy, zda nejsou opotřebené nebo poškozené. Opotřebené nebo poškozené žací nože a šrouby vždy vyměňujte jako sadu, abyste zachovali vyváženost.
- Toro doporučuje vybavit sekačku proudovým chráničem s maximálním vypínacím proudem 30 mA.
- Používejte pouze prodlužovací kabel s průřezem 1,00 mm<sup>2</sup> o délce maximálně 30 m, vhodný pro venkovní použití (je-li to možné).

## Manipulace

- Sekejte pouze za denního světla nebo při dobrém umělém osvětlení.
- Je-li to možné, nepoužívejte stroj na mokré trávě.
- Při práci na svazích vždy dbejte na pevnou oporu nohou.
- Kráčejte, nikdy neběhejte.
- S kolovými rotačními sekačkami sekejte podél svahu, nikdy nahoru a dolů.
- Buďte velmi opatrní při změnách směru pohybu na svazích.
- Nepoužívejte sekačku na příliš strmých svazích.
- Při couvání nebo tahání sekačky směrem k sobě buďte velmi opatrní.
- Sekačku vypněte, pokud ji přepravujete z jednoho místa sekání na jiné. Zastavte žací nůž, kdykoli s travní sekačkou sjedete z trávníku.
- Nikdy nepoužívejte sekačku s vadnými ochrannými kryty nebo bez namontovaných ochranných zařízení (např. deflektorů a/nebo lapačů trávy).

- Opatrně spusťte motor podle pokynů a mějte nohy dost daleko od žacího nože.
- Při spouštění motoru nenaklánějte sekačku, pokud ji nemusíte naklonit, aby nastartovala. V takovém případě nenaklánějte sekačku více, než je nezbytně nutné, a zvedejte pouze tu část, která je dále od obsluhy. Než vrátíte stroj na zem, ujistěte se, že máte obě ruce v ovládací poloze.
- Nedávejte ruce nebo nohy do blízkosti rotujících částí nebo pod ně. Držte se v bezpečné vzdálenosti od vyhazovacího otvoru.
- Nikdy nezvedejte ani nepřenašejte sekačku, je-li motor v chodu.
- Vytáhněte zástrčku ze zásuvky:
  - kdykoliv se vzdalujete od travní sekačky;
  - před čištěním ucpané sekačky nebo odstraněním materiálu z vyhazovacího komínu;
  - před kontrolou, čištěním nebo při jakékoliv práci na sekačce;
  - najedete-li na cizí předmět. Zkontrolujte sekačku, zda není poškozená, a před dalším spuštěním a uvedením do provozu proveďte nezbytné opravy;
  - jestliže pocítíte abnormální vibrace sekačky (proved'te okamžitou kontrolu).

## Údržba a skladování

- Všechny matice, šrouby a vruty udržujte v utaženém stavu, abyste zajistili, že stroj je v bezpečném provozním stavu.
- Provádějte časté kontroly opotřebení a zhoršení stavu lapače trávy.
- Z důvodu bezpečnosti vyměňujte opotřebené nebo poškozené díly.
- Ujistěte se, že používáte pouze správný typ náhradního žacího nože.
- Kupujte výhradně originální náhradní díly a příslušenství značky Toro.

## Akustický tlak

Maximální úroveň akustického tlaku u tohoto zařízení v blízkosti ucha obsluhy činí 83 dBA, jak bylo zjištěno z měření na shodných strojích podle směrnice EN 11201.

## Akustický výkon

Zaručená úroveň akustického výkonu u tohoto stroje činí 96 dBA, jak bylo zjištěno z měření provedených na shodných strojích podle normy EN 11094.

# Vibrace rukou/paží

provedených na shodných strojích podle normy EN 836.

Úroveň chvění ruky a paže řidiče u tohoto stroje nepřekračuje 4,8 m/s<sup>2</sup>, jak bylo zjištěno z měření

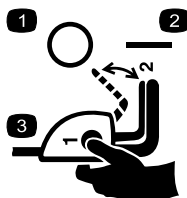
## Směrnice o použitých elektrických a elektronických zařízeních (WEEE)



- Směrnice EU 2002/96/ES klasifikuje tento výrobek jako elektrické nebo elektronické zařízení.
- **Nevyhazujte** ho do netříděného komunálního odpadu.
- Likvidaci tohoto přístroje provádějte ve sběrném nebo recyklačním centru podle místních a národních legislativních požadavků.
- Spotřebitel má důležitou roli při snižování odpadu tím, že vrátí elektrické/elektronické přístroje k recyklaci.
- Recyklací dále zabráníte vniknutí nebezpečných materiálů do komunálního odpadu.
- Symbol přeškrtnutého odpadního koše připomíná uživateli, aby tento přístroj nevhazoval do netříděného komunálního odpadu.

## Bezpečnostní a instrukční štítky

**Důležité:** Bezpečnostní štítky a pokyny jsou umístěny v blízkosti částí představujících potenciální nebezpečí. V případě ztráty nebo poškození původního štítku nalepte na jeho místo nový.



110-1168

1. Vypnuto (OFF)
2. Zapnuto (ON)
3. Chcete-li zapnout sekačku, stiskněte a podržte tlačítko a zároveň zatáhněte za ovládací páku.



110-8417

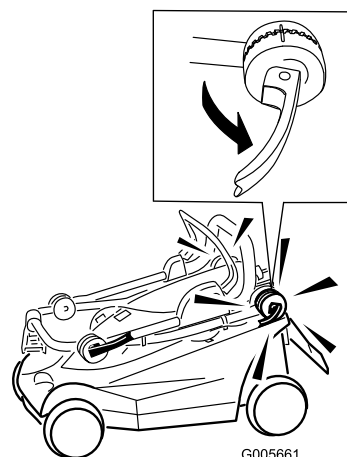
1. Varování – přečtěte si *Uživatelskou příručku*.
2. Nebezpečí odmrštěných předmětů – okolostojící osoby musí být vždy v bezpečné vzdálenosti od stroje.
3. Pozor, nedotýkejte se rotujícího žacího nože! Odpojte napájecí kabel a před prováděním oprav nebo údržby si přečtěte pokyny.
4. Nebezpečí úrazu elektrickým proudem – chraňte stroj před deštěm a vlhkem.
5. Elektrické nebezpečí při přeříznutí elektrického kabelu – nepřejedte strojem před napájecí kabel.

## Nastavení

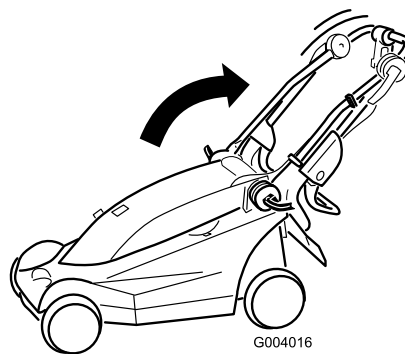
**Poznámka:** Dokud není sekačka úplně sestavená, nepřipojujte ji ke zdroji napájení.

### 1. Rozložení držadla

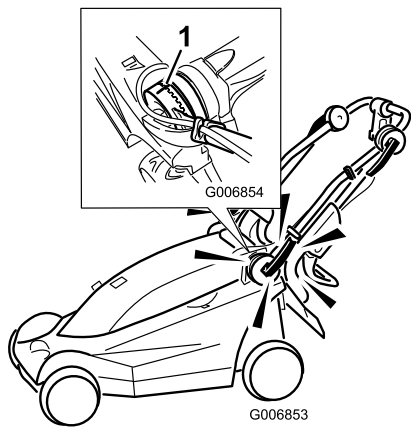
#### Postup



Obrázek 1

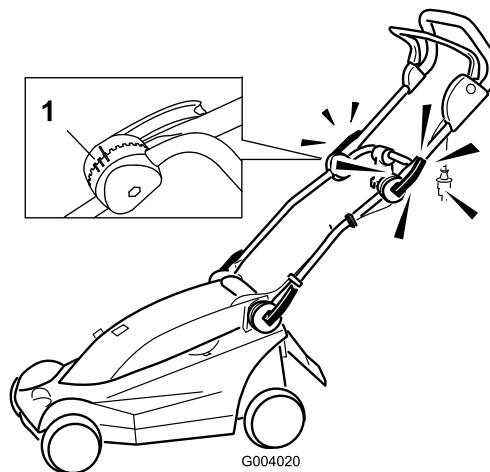


Obrázek 2



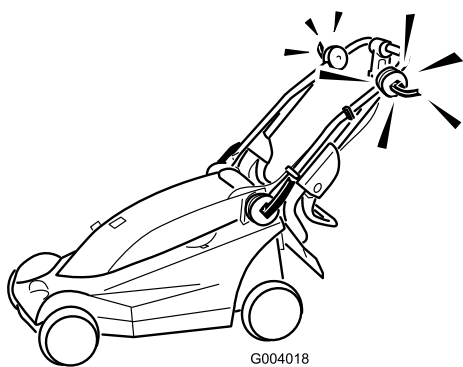
Obrázek 3

1. Vyrovnajte značky



Obrázek 6

1. Značky pro polohy rukojeti



Obrázek 4

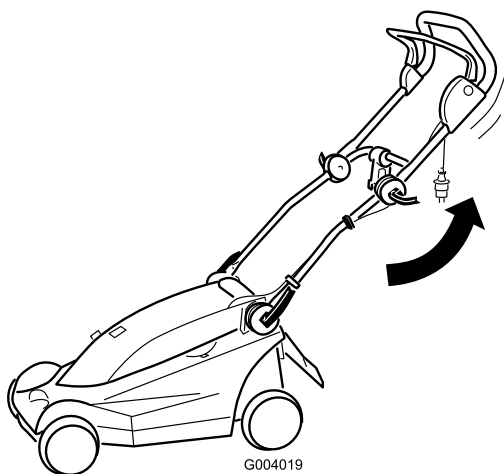
**Poznámka:** Horní rukojeť můžete nastavit do jedné ze tří poloh. Vyrovnajte značku s jednou ze tří značek na vnitřní straně pojistky horní rukojeti (Obrázek 6).

## 2. Sestavení zásobníku na trávu

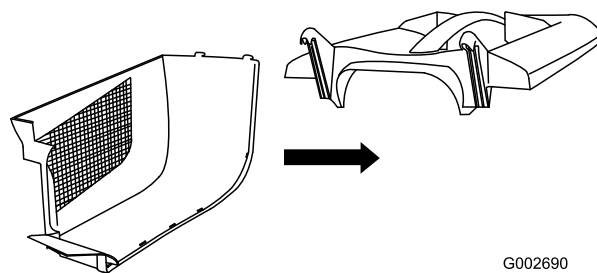
### Postup

**Důležité:** Postupujte podle kroků v uvedeném pořadí.

1. Zasuňte bočnici do západek v horní části (Obrázek 7).

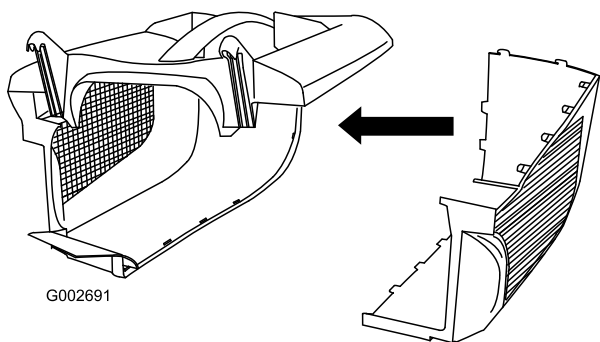


Obrázek 5



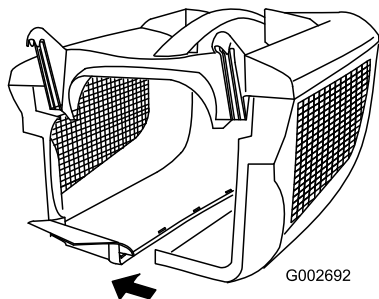
Obrázek 7

2. Zasuňte druhou bočnici do západek v horní části a spojte zadní část obou postranic (Obrázek 8).

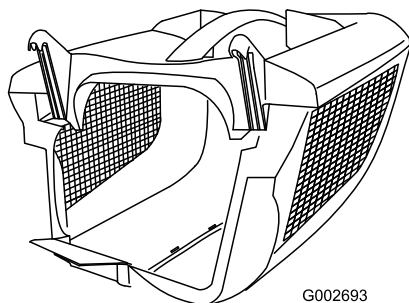


Obrázek 8

3. Začněte vzadu, vyrovnejte zbývající části postranic a zatlačte je k sobě (Obrázek 9).

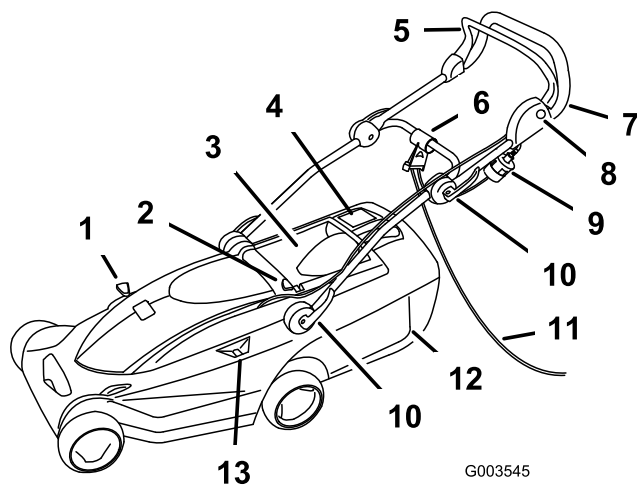


Obrázek 9



Obrázek 10

## Součásti stroje



Obrázek 11

- |  |  |
|--|--|
| 1. Páka sběrací/mulčovací jednotky       | 8. Tlačítko                                    |
| 2. Knoflík na nastavení výšky sekání     | 9. Zástrčka                                    |
| 3. Zadní dvířka                          | 10. Pojistky rukojeti (4)                      |
| 4. Indikátor naplnění zásobníku na trávu | 11. Prodlužovací kabel (není součástí dodávky) |
| 5. Ovládací páka                         | 12. Zásobník na trávu                          |
| 6. Pojistka kabelu                       | 13. Indikátor výšky sekání                     |
| 7. Rukojeť                               |  |



# Technické údaje

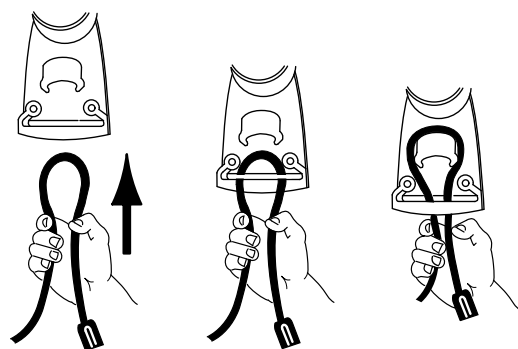
Model	21080	21081	21082	21090	21091	21092
Hmotnost	16 kg	17 kg	16 kg	19 kg	20 kg	19 kg
Délka	137 cm	137 cm	137 cm	145 cm	145 cm	145 cm
Šířka	39 cm	39 cm	39 cm	45 cm	45 cm	45 cm
Jmenovitá šířka sekání	34 cm	34 cm	34 cm	41 cm	41 cm	41 cm
Rozsah jmenovité výšky sekání	20 až 75 mm	20 až 75 mm	20 až 75 mm	20 až 75 mm	20 až 75 mm	20 až 75 mm
Objem zásobníku na trávu	32 l	32 l	32 l	40 l	40 l	40 l
Jmenovité otáčky motoru	3000 ot/min	3000 ot/min	3000 ot/min	3000 ot/min	3000 ot/min	3000 ot/min
Napětí a frekvence	230 V/ 50 Hz	230 V/ 50 Hz	230 V/ 50 Hz	230 V/ 50 Hz	230 V/ 50 Hz	230 V/ 50 Hz
Výkon	1,2 kW	1,2 kW	1,2 kW	1,2 kW	1,2 kW	1,2 kW

## Obsluha

### Zajištění prodlužovacího kabelu

**Poznámka:** Tento postup je určen sekačkám, které vyžadují prodlužovací kabel.

Používejte pouze prodlužovací kabely doporučené pro venkovní použití.



G002648

Obrázek 12

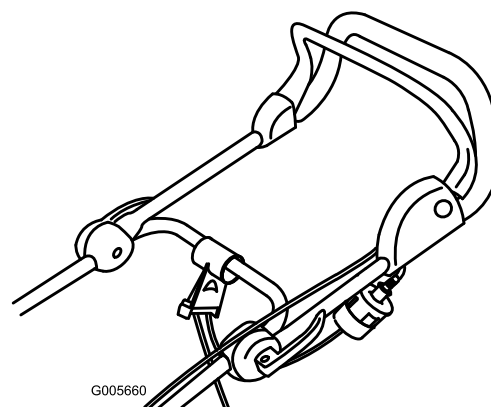


**Kontakt s vodou za provozu sekačky může způsobit úraz elektrickým proudem s následným zraněním nebo usmrcením.**

- Se zástrčkou nebo sekačkou nemanipulujte s mokřýma rukama nebo pokud stojíte ve vodě.
- Používejte pouze prodlužovací kabel doporučený k venkovnímu použití.

1. Vytvořte na prodlužovacím kabelu smyčku a zajistěte ji v pojistce kabelu (Obrázek 12).

2. Připojte prodlužovací kabel k zástrčce sekačky (Obrázek 13).



G005660

Obrázek 13

**Poznámka:** Neodpojujte prodlužovací kabel taháním za kabel; chcete-li ho odpojit, uchopte zástrčku, nikoliv kabel.



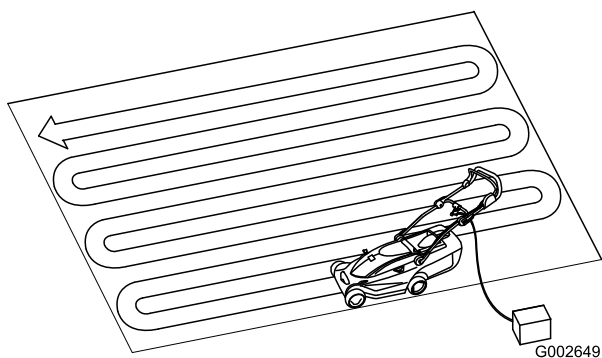
Poškozený napájecí kabel může způsobit úraz elektrickým proudem nebo požár.

Před použitím sekačky důkladně prohlédněte napájecí kabel. Je-li kabel poškozený, nepoužívejte sekačku. Ihned nechte poškozený kabel vyměnit nebo opravit v autorizovaném servisním středisku Toro.

## Plánování způsobu sekání

Při dodržování doporučeného způsobu sekání se sníží riziko přejetí kabelu sekačkou a zabrání se zbytečnému opotřebení kabelu. Zabraňte obtáčení napájecího kabelu kolem stromů, keřů nebo dalších překážek.

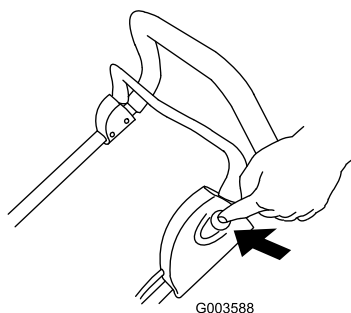
Začněte sekat poblíž zdroje elektrického napájení. Postupujte dozadu a dopředu a postupně se vzdalujte od zdroje napájení (Obrázek 14).



Obrázek 14

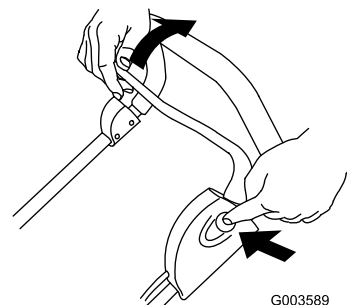
## Spuštění motoru

1. Připojte prodlužovací kabel k sekačce (pokud se používá).
2. Druhý konec kabelu zapojte do elektrické zásuvky v domácnosti.
3. Stiskněte a podržte tlačítko na levé straně rukojeti (Obrázek 15).



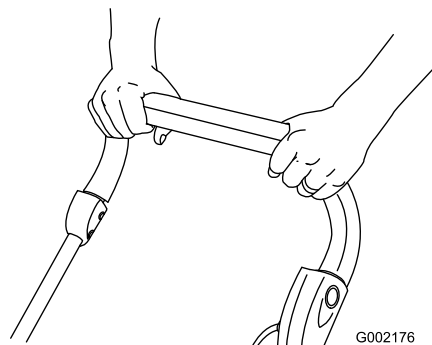
Obrázek 15

4. Zatímco budete tlačítko držet, přitáhněte ovládací páku k rukojeti (Obrázek 16).



Obrázek 16

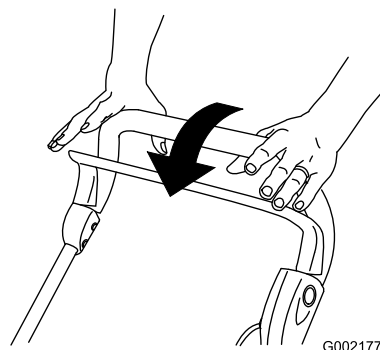
5. Držte ovládací páku u rukojeti a uvolněte tlačítko (Obrázek 17).



Obrázek 17

## Zastavení motoru

1. Uvolněte ovládací páku (Obrázek 18).



Obrázek 18

2. Pokud necháváte sekačku bez dozoru, odpojte ji od zdroje napájení.

## Nastavování výšky sekání

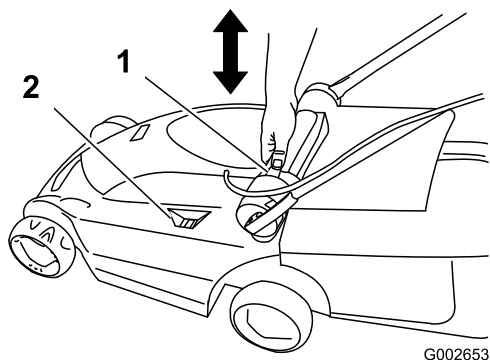
Sekačka má šest poloh výšky sekání (všechny údaje jsou přibližné): A = 20 mm; B = 31 mm; C = 42 mm; D = 53 mm; E = 64 mm a F = 75 mm.



Při nastavování výšky sekání pomocí pák se mohou vaše ruce a nohy dostat do kontaktu s pohybujícím se nožem a může dojít k vážnému úrazu.

Než začnete měnit výšku nastavení, zastavte motor a počkejte, až se zastaví všechny pohybující se části.

1. Zastavte motor a počkejte, až se zastaví všechny pohybující se části.
2. Palcem stiskněte knoflík na nastavování výšky sekání a zasuňte nebo vytáhněte nastavovací páku do polohy pro požadovanou výšku, kterou ukazuje indikátor výšky sekání (Obrázek 19).



Obrázek 19

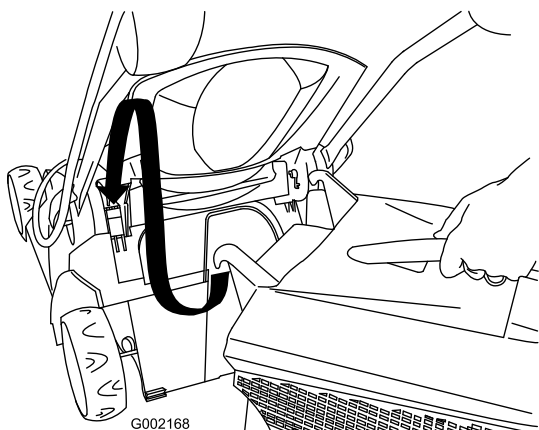
1. Knoflík na nastavení výšky sekání
2. Indikátor výšky sekání

3. Uvolněte knoflík na nastavení výšky sekání.

## Sbírání trávy

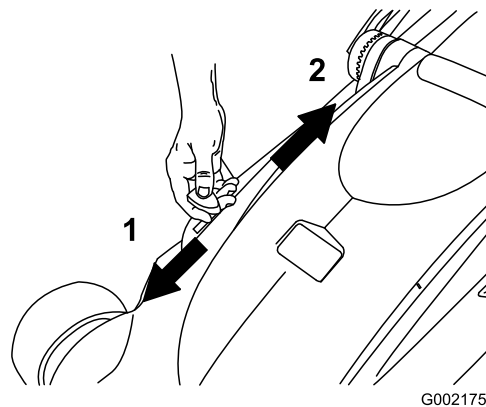
Nainstalujte zásobník na trávu za účelem sesbírání posekané trávy.

1. Zvedněte zadní dvířka a nainstalujte na sekačku zásobník na trávu (Obrázek 20).



Obrázek 20

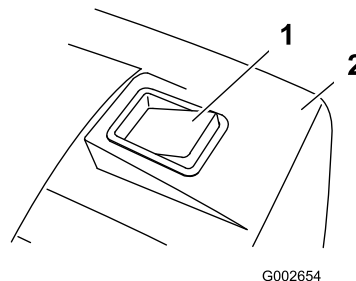
2. Uvolněte zadní dvířka.
3. Přepněte recyklační/ukládací páku do režimu ukládání (Obrázek 21).



Obrázek 21

1. Režim sběru
2. Režim recyklace (mulčování)
3. Páka sběrací/mulčovací jednotky

4. Sekejte s připojeným zásobníkem na trávu, dokud indikátor neukáže, že je zásobník plný (Obrázek 22).



Obrázek 22

1. Indikátor zásobníku na trávu (zásobník je plný)
2. Zásobník na trávu

5. Oddělte zásobník na trávu od sekačky a vyprázdněte ho.

**Poznámka:** Chcete-li přejít od ukládání k recyklaci, přepněte recyklační/ukládací páku do režimu recyklace (Obrázek 21) a odstraňte zásobník na trávu.

## Rady pro sekání



Obrázek 23

Při sekání trávy postupujte podle těchto pokynů, abyste dosáhli nejlepších výsledků a vzhledu trávníku.

- Po celou sezónu udržujte žací nože v **ostrém** stavu.
- **Sekejte jen suchou travu.** Vlhká tráva má tendenci se hromadit a může způsobit ucpání sekačky nebo přetížení motoru. Může být také kluzká a způsobit, že uklouznete a upadnete.
- Při sekání jednoho pruhu zajistěte asi 4cm přesah.
- Při sekání velmi vysoké trávy zkuste nejprve sekat s nejvyšší výškou a pomalým tempem, potom sekejte znovu s nižší výškou, abyste dosáhli nejlepšího vzhledu trávníku.
- Jestliže je vzhled posekaného trávníku neuspokojivý, zkuste některé z následujících rad:
  - Naostřete žací nůž.
  - Pohybujte se při sekání pomaleji.
  - Zvyšte výšku sekání na sekačce.
  - Sekejte travu častěji.
  - Sekejte tak, aby se pokosené pruhu částečně překrývaly. Nesekejte na plný záběr.

## Údržba

Společnost Toro zkonstruovala tento výrobek tak, aby bez závady fungoval řadu let. Pokud by přesto vyžadoval opravu, nechte jej opravit v autorizovaném servisním středisku Toro.



**Když je sekačka připojena ke zdroji napájení v domácnosti, je funkční. Někdo by ji mohl neúmyslně zapnout a způsobit vážné zranění vám nebo okolostojícím osobám.**

**Pokud necháváte sekačku bez dozoru, vždy ji odpojte od zdroje napájení.**

## Dvojitá izolace

U elektrických spotřebičů s dvojitou izolací jsou namísto ochrany zemněním použity dva systémy izolace. Elektrické spotřebiče s dvojitou izolací nejsou zemněny a nejsou určeny k použití s jakýmkoliv systémem uzemnění. Oprava elektrických spotřebičů s dvojitou izolací vyžaduje mimořádnou péči a znalost systému a smí ji provádět pouze kvalifikovaný personál autorizovaných servisních středisek Toro. Náhradní díly elektrických spotřebičů s dvojitou izolací musí být totožné s původními díly. Elektrické spotřebiče s dvojitou izolací jsou označeny slovy „Double Insulation“ (dvojitá izolace) nebo „Double Insulated“ (dvojitě izolováno). Na spotřebiči může být také tento symbol (čtverec ve čtverci) □.

## Čištění krytu sekačky

Po každém sekání vyčistěte kryt sekačky.

Před čištěním zastavte motor, počkejte, až se zastaví všechny pohyblivé části, a odpojte sekačku od zdroje napájení.

**Důležité: Nečistěte sekačku vodou. Vlhkost by mohla zůstat uvnitř sekačky a mohla by způsobit zrezivění vnitřních částí.**

- Vyčistěte spodek sekačky. Odstraňte nečistoty a zbytky trávy stěrkou z tvrdého dřeva.
- Odstraňte zbytky z otvorů v krytu podél horní strany sekačky.
- Kartáčem odstraňte nečistoty z krytu sekačky.
- Prohlédněte zástrčku, zda nejeví známky roztavení nebo ohřevu. Staré, opotřeбенé prodlužovací kabely, které se volně zasunují do zásuvky, mohou způsobit přehřátí v důsledku nedostatečného kontaktu. Poškozený prodlužovací kabel ihned vyměňte (pokud se používá).

## Údržba žacího nože

Vždy sekejte s ostrým žacím nožem. Ostrý nůž seká travu čistě, bez trhání nebo lámání stébel.

Až budete vyměňovat žací nůž, použijte jediné originální náhradní žací nůž Toro.



Někdo by mohl neúmyslně spustit motor a způsobit vážné zranění obsluze nebo okolostojícím osobám.

Žací nůž neprohližejte, neodstraňujte ani neměňte, aniž byste nejprve odpojili sekačku od zdroje napájení.

1. Zastavte motor a počkejte, až se zastaví všechny pohybující se části.
2. Odpojte sekačku od zdroje elektrického napájení.
3. Nakloňte sekačku na stranu.
4. Pečlivě zkontrolujte naostření a opotřebení nože, zejména v místech, kde se setkávají ploché a zakřivené části. Pokud zaznamenáte opotřebení, vyměňte nůž.

**Poznámka:** Nejvyššího výkonu dosáhnete, jestliže před zahájením sezóny nainstalujete nový žací nůž. Během sezóny pilujte malé zářezy na žacím noži, aby měl stále ostré hrany.

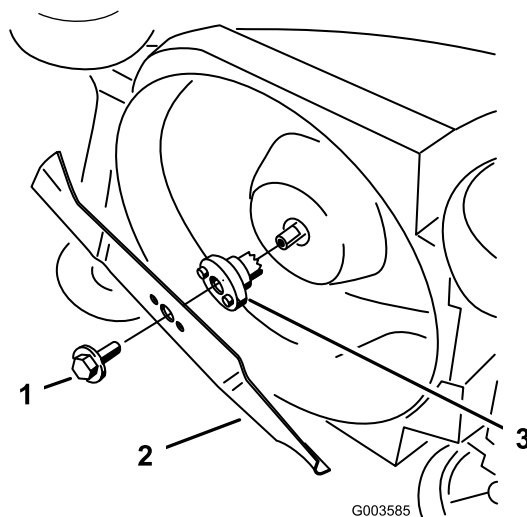


Opotřebený nebo poškozený žací nůž by se mohl zlomit a jeho části by mohly být odmrštěny na obsluhu nebo okolostojící osoby, což by mohlo způsobit vážné zranění nebo usmrcení.

Pravidelně kontrolujte žací nůž, zda není opotřebený nebo poškozený, a podle potřeby ho vyměňte.

## Demontáž žacího nože

1. Pomocí hadru nebo silně polstrovaných rukavic uchopte konec žacího nože (Obrázek 24).



Obrázek 24

1. Šroub žacího nože
2. Žací nůž
3. Adaptér žacího nože

2. Odstraňte šroub a žací nůž.

**Důležité:** Pokud se oddělí adaptér žacího nože, musíte ho nainstalovat dříve, než nainstalujete žací nůž a šroub. Když budete používat sekačku bez adaptéru žacího nože, poškodíte ji.

## Ostření žacího nože

Pomocí pilníku naostřete horní stranu žacího nože a udržujte původní řezný úhel.

**Poznámka:** Vyvážení nože neporušíte, jestliže uberete z obou ostří stejné množství materiálu.

**Důležité:** Zkontrolujte vyvážení nože tak, že jej vložíte na vyvažovačku. Levnou vyvažovačku můžete koupit v železářství. Vyvážený žací nůž zůstane ve vodorovné poloze; nevyvážený žací nůž se nakloní na těžší stranu. Není-li žací nůž vyvážený, opilujte více kovu z ostří na těžším konci nože.

## Montáž žacího nože

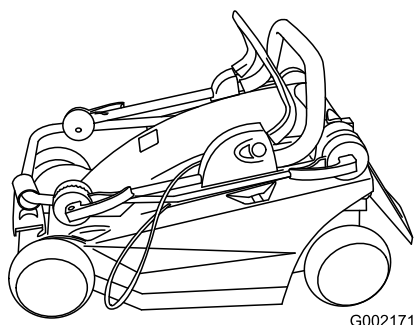
Nainstalujte ostrý, vyvážený žací nůž a šroub žacího nože. Zakřivená část žacího nože musí být obrácena k horní části krytu sekačky; tím bude zaručena správná instalace. Utáhněte šroub žacího nože na 15 Nm.

# Údržba zapínání/vypínání a brzdového systému žacího nože

Motor a žací nůž jsou navrženy tak, aby se zastavily do tří sekund po uvolnění ovládací páky. Před každou prací se sekačkou se ujistěte, že ovládací páka správně funguje. Pokud se žací nůž nezastaví do tří sekund od uvolnění ovládací tyče nebo se objeví vrzání či skřípání kovu o kov, kontaktujte autorizované servisní středisko Toro. Totéž doporučení platí, pokud při používání travní sekačky pozorujete silné vibrace.

## Uskladnění

Sekačku skladujte na chladném, čistém a suchém místě, mimo dosah dětí. Přikryjte sekačku, aby zůstala čistá a chráněná.



**Obrázek 25**

- 
1. Vyčistěte skříň sekačky.
  2. Zkontrolujte stav žacího nože.

# Odstraňování závad

Závada	Možné příčiny	Způsoby odstranění
Motor nejde spustit	<ol style="list-style-type: none"> <li>1. K travní sekačce není připojen prodlužovací kabel.</li> <li>2. Prodlužovací kabel je poškozený.</li> <li>3. Spálená pojistka nebo vypnutý jistič.</li> </ol>	<ol style="list-style-type: none"> <li>1. Připojte k sekačce prodlužovací kabel a jeho druhý konec zapojte do běžné zásuvky v domácnosti.</li> <li>2. Zkontrolujte prodlužovací kabel a je-li poškozený, opravte jej.</li> <li>3. Zkontrolujte pojistku v zásuvce nebo jistič.</li> </ol>
Motor se nespouští nebo ztrácí výkon	<ol style="list-style-type: none"> <li>1. Vyhazovací komín sekačky je ucpaný.</li> <li>2. Je třeba vyčistit spodek sekačky.</li> <li>3. Je nastavena příliš malá výška sekání.</li> </ol>	<ol style="list-style-type: none"> <li>1. Vyčistěte vyhazovací komín sekačky.</li> <li>2. Vyčistěte spodek sekačky.</li> <li>3. Nastavte větší výšku sekání a znovu spusťte motor.</li> </ol>
Sekačka nebo motor nadměrně vibruje	<ol style="list-style-type: none"> <li>1. Žací nůž není vyvážený.</li> <li>2. Upevňovací šroub žacího nože je povoleno.</li> <li>3. Vyhazovací komín sekačky je ucpaný.</li> <li>4. Je třeba vyčistit spodek sekačky.</li> <li>5. Upevňovací šrouby motoru jsou povoleno.</li> </ol>	<ol style="list-style-type: none"> <li>1. Vyvažte žací nůž.</li> <li>2. Utáhněte upevňovací šroub žacího nože.</li> <li>3. Vyčistěte vyhazovací komín sekačky.</li> <li>4. Vyčistěte spodek tělesa sekačky.</li> <li>5. Utáhněte upevňovací šrouby motoru.</li> </ol>
Nerovnoměrný obrazec sekání	<ol style="list-style-type: none"> <li>1. Žací nůž je tupý a nevyvážený.</li> <li>2. Sekáte stejným způsobem při každém sekání.</li> <li>3. Je třeba vyčistit spodek sekačky.</li> </ol>	<ol style="list-style-type: none"> <li>1. Nabruste a vyvažte žací nůž.</li> <li>2. Změňte způsob sekání.</li> <li>3. Vyčistěte spodek tělesa sekačky.</li> </ol>
Vyhazovací komín se ucpává	<ol style="list-style-type: none"> <li>1. Je nastavena příliš malá výška sekání.</li> <li>2. Pokoušíte se sekat mokrou travu.</li> <li>3. Je třeba vyčistit spodek sekačky.</li> </ol>	<ol style="list-style-type: none"> <li>1. Zvětšete výšku sekání.</li> <li>2. Před sekáním nechte travu uschnout.</li> <li>3. Vyčistěte spodek tělesa sekačky.</li> </ol>

## International Distributor List—Consumer Products

<b>Distributor:</b>	<b>Country:</b>	<b>Phone Number:</b>
Atlantis Su ve Sulama Sistemleri Lt	Turkey	90 216 344 86 74
Balama Prima Engineering Equip	Hong Kong	852 2155 2163
B-Ray Corporation	Korea	82 32 551 2076
Casco Sales Company	Puerto Rico	787 788 8383
Ceres S.A	Costa Rica	506 239 1138
CSSC Turf Equipment (pvt) Ltd	Sri Lanka	94 11 2746100
Cyril Johnston & Co	Nothern Ireland	44 2890 813 121
Equivier	Mexico	52 55 539 95444
Femco S.A.	Guatemala	502 442 3277
G.Y.K. Company Ltd.	Japan	81 726 325 861
Geomechaniki of Athens	Greece	30 10 935 0054
Guandong Golden Star	China	86 20 876 51338
Hako Gorund and Garden	Sweden	46 35 10 0000
Hydroturf Int. Co	Dubai United Arab Emirates	97 14 347 9479
Hydroturf Egypt LLC	Egypt	202 519 4308
Ibea S.p.A.	Italy	39 0331 853611
Irriamc	Portugal	351 21 238 8260
Jean Heybroek b.v.	Netherlands	31 30 639 4611
Lely (U.K. ) Limited	United Kingdom	44 1480 226 800
Maquiver S.A.	Colombia	57 1 236 4079
Maruyama Mfg. Co. Inc.	Japan	81 3 3252 2285
Metra Kft	Hungary	36 1 326 3880
Mountfield a.s.	Czech Republic	420 255 704 220
Munditol S.A.	Argentina	54 11 4 821 9999
Oslinger Turf Equipment SA	Ecuador	593 4 239 6970
Oy Hako Ground and Garden Ab	Finland	358 987 00733
Parkland Products Ltd	New Zealand	64 3 34 93760
Prochaska & Cie	Austria	43 1 278 5100
RT Cohen 2004 Ltd	Israel	972 986 17979
Riversa	Spain	34 9 52 83 7500
Roth Motorgerate GmBh & Co	Germany	49 7144 2050
Sc Svend Carlsen A/S	Denmark	45 66 109 200
Solvert S.A.S	France	33 1 30 81 77 00
Spypros Stavrinides Limited	Cyprus	357 22 434131
Surge Systems India Limited	India	91 1 292299901
T-Markt Logistics Ltd	Hungary	36 26 525 500
Toro Australia	Australia	61 3 9580 7355
Toro Europe BVBA	Belgium	32 14 562 960



### Podmínky a výrobky, na které se záruka vztahuje

Společnost The Toro® Company a její pobočky a záruční společnost Toro se na základě vzájemné dohody zavazují zajistit původnímu majiteli\* opravu jakéhokoliv výrobku Toro používaného k nekomerčním účelům\*, pokud dojde k závadě na materiálu nebo dílenském zpracování. Na výrobky se vztahují tyto záruční lhůty od data původní koupě:

#### Výrobky

Sekačky s pojezdem  
Ridery s motorem vzadu  
Zahradní traktory  
Elektrické ruční nástroje  
Sněhové frézy  
Sekačky Zero Turn

#### Záruční lhůta

Omezená záruka 2 roky  
Omezená záruka 2 roky  
Omezená záruka 2 roky  
Omezená záruka 2 roky  
Omezená záruka 2 roky  
Omezená záruka 2 roky

\* Pojem "původní majitel" značí osobu, která jako první zakoupila výrobek Toro.

\* Pojem "nekomerční účely" značí užívání výrobku na stejném místě, kde je vaše domácnost. Používání výrobku na více než jednom místě se považuje za komerční účely, na které se vztahují záruční podmínky pro komerční využití.

### Omezená záruka pro komerční účely

Na závady na materiálu nebo dílenské zpracování spotřebních výrobků Toro a jejich příslušenství používané ke komerčním účelům, v institucích nebo půjčovnách se vztahují tyto záruční lhůty od data původní koupě:

#### Výrobky

Sekačky s pojezdem  
Ridery s motorem vzadu  
Zahradní traktory  
Elektrické ruční nástroje  
Sněhové frézy  
Sekačky Zero Turn

#### Záruční lhůta

Záruka 90 dní  
Záruka 90 dní  
Záruka 90 dní  
Záruka 90 dní  
Záruka 90 dní  
Záruka 45 dní

### Pokyny pro poskytnutí záruční opravy

Domníváte-li se, že výrobek Toro vykazuje závadu na materiálu nebo dílenském zpracování, postupujte podle následujících pokynů:

1. Pro servis produktu kontaktujte svého prodejce. Pokud z jakéhokoli důvodu není možné prodejce kontaktovat, můžete se spojit s jakýmkoli autorizovaným distributorem Toro.
2. Předložte svému prodejci nebo servisnímu prodejci výrobek společně s dokladem o koupi (paragon).

Pokud z jakéhokoli důvodu nejste spokojeni s analýzou závady nebo pomocí, kterou vám poskytl servisní prodejce, kontaktujte dovozce Toro nebo se spojte přímo s námi:

Customer Care Department, Consumer Division  
Toro Warranty Company  
8111 Lyndale Avenue South  
Bloomington, MN 55420-1196  
Ředitel: Technická podpora: 001-952-887-8248

Viz přiložený seznam distributorů

### Povinnosti vlastníka

Výrobek Toro je třeba ošetřovat podle pokynů uvedených v uživatelské příručce. Tuto údržbu, ať již vlastními silami nebo prostřednictvím prodejce, hradí majitel výrobku.

### Součásti a úkony, na které se nevztahuje záruka

Tato výslovná záruka se nevztahuje na:

- náklady spojené s běžnou údržbou či na součásti, materiály a úkony jako například filtry, palivo, maziva, doplňkové vybavení, ostření nožů, seřízení brzdy a spojky.
- žádné výrobky nebo součásti, které byly upraveny nebo používány nesprávným způsobem ani na požadavek výměny či opravy součástí v důsledku běžného opotřebení, nehody nebo nedostatečné údržby.
- opravy v důsledku používání nevhodného paliva či znečištění ujjících látek v palivovém systému nebo v důsledku nesprávné přípravy palivového systému na uskladnění stroje na dobu delší než tři měsíce.
- motor a spojka. Na tyto součásti se vztahují příslušné záruky výrobce se samostatnými podmínkami.

Veškeré záruční opravy musí provést autorizovaný servisní prodejce Toro s použitím schválených náhradních dílů Toro.

### Obecné podmínky

Práva kupujícího jsou definována národními zákony příslušné země. Tato záruka žádným způsobem neomezuje práva kupujícího definovaná národními zákony.



# Cortacéspedes eléctricos Eurocycler™ de 34 cm y 41 cm

Nº de modelo 21080—Nº de serie 270A00001 y superiores

Nº de modelo 21081—Nº de serie 270B00001 y superiores

Nº de modelo 21082—Nº de serie 270C00001 y superiores

Nº de modelo 21090—Nº de serie 270D00001 y superiores

Nº de modelo 21091—Nº de serie 270E00001 y superiores

Nº de modelo 21092—Nº de serie 270F00001 y superiores

Manual del operador

## Contenido

Introducción .....	1
Seguridad .....	1
Prácticas de operación segura.....	2
Presión sonora .....	3
Potencia sonora.....	3
Vibración, Mano/brazo.....	3
.....	3
Residuos de equipos eléctricos/electrónicos (WEEE).....	3
Pegatinas de seguridad e instrucciones.....	3
Montaje.....	3
1. Cómo desplegar el manillar .....	3
2. Ensamblaje del recogedor de hierba.....	4
El producto.....	5
Especificaciones.....	6
Operación .....	6
Sujeción del cable alargador .....	6
Planificación del patrón de siega.....	7
Cómo poner en marcha el motor.....	7
Cómo parar el motor .....	8
Ajuste de la altura de corte .....	8
Ensacado de los recortes.....	8
Consejos de siega .....	9
Mantenimiento.....	10
Aparatos con doble aislamiento .....	10
Limpieza de la carcasa del cortacésped.....	10
Mantenimiento de la cuchilla.....	10
Mantenimiento del sistema de encendido/apagado y del freno de la cuchilla .....	11
Almacenamiento .....	11
Solución de problemas .....	12

para aprender a utilizar y mantener correctamente su cortacésped. La información de este manual puede ayudarle a usted y a otros a evitar lesiones personales y daños al producto. Aunque Toro diseña y fabrica productos seguros, usted es responsable de utilizar el producto de forma correcta y segura.

La normativa sobre el uso de los cortacéspedes varía de una región a otra. Consulte a su autoridad local respecto a las normas y las restricciones sobre el horario de siega permitido en su zona.

## Seguridad

Lea y comprenda el contenido de este manual antes de arrancar el motor.

**⚠** Este es el símbolo de alerta de seguridad. Se utiliza para advertirle sobre potenciales riesgos de lesiones personales. Observe siempre todos los mensajes de seguridad que siguen a este símbolo con el fin de evitar posibles lesiones o la muerte.

El uso o mantenimiento incorrectos de este cortacésped pueden causar lesiones o la muerte. Para reducir esta posibilidad, cumpla las siguientes instrucciones de seguridad.



Para reducir el riesgo de incendio, descarga eléctrica y lesiones personales al usar este cortacésped eléctrico, siga siempre estas instrucciones de seguridad.

La siguiente información sobre seguridad ha sido adaptada de las Normas Europeas EN 836:1997 y CEI/IEC 60335-77:2001.

## Introducción

Este cortacésped ha sido diseñado únicamente para el uso particular en propiedades residenciales. No debe utilizarse comercialmente en propiedades públicas.

Gracias por elegir un cortacésped eléctrico Toro para uso residencial. Lea este manual detenidamente

# Prácticas de operación segura

## Información general

- Lea cuidadosamente las instrucciones. Familiarícese con los controles y con el uso correcto del equipo.
- No permita nunca que niños o personas no familiarizadas con estas instrucciones utilicen el cortacésped. Es posible que existan normativas locales que restringen la edad del operador.
- No siegue nunca si hay otras personas cerca, especialmente niños, o animales.
- El operador o el usuario es responsable de cualquier accidente o peligro que afecte a otras personas o a su propiedad.

## Preparación

- Mientras corta el césped, use pantalones largos y calzado fuerte. No haga funcionar el equipo estando descalzo, o llevando sandalias.
- Inspeccione cuidadosamente el área donde se va a utilizar el cortacésped y retire todos los objetos que puedan ser arrojados por la máquina.
- Antes de usar la máquina, realice siempre una inspección visual para asegurarse de que la cuchilla, los pernos de la cuchilla y el conjunto de corte no están desgastados o dañados. Si la cuchilla o los pernos están gastados o dañados, sustitúyalos en su conjunto para no desequilibrar la máquina.
- Tororecomienda que el cortacésped se alimente desde un dispositivo de corriente residual (RCD) con una corriente de disparo de no más de 30 mA.
- Utilice únicamente cables alargadores de 1,00 mm<sup>2</sup> de sección y de no más de 30 m de longitud, aptos para el uso en exteriores (en su caso).

## Manejo

- Corte el césped solamente con luz natural o con una buena iluminación artificial.
- Siempre que sea posible, evite utilizar el equipo si la hierba está mojada.
- Asegúrese de pisar firmemente en cuestas y pendientes.
- Camine, no corra jamás.
- En el caso de cortacéspedes rotativos con ruedas, siegue de través las cuestas y pendientes, nunca hacia arriba o hacia abajo.
- Extreme las precauciones al cambiar de dirección en cuestas o pendientes.
- No siegue pendientes y cuestas extremadamente empinadas.

- Extreme las precauciones al ir hacia atrás o tirar del cortacésped hacia usted.
- Apague el cortacésped antes de transportarlo de una zona de siega a otra. Pare la cuchilla antes de trasladar el cortacésped fuera del césped.
- No utilice nunca el cortacésped si los protectores están defectuosos, o sin tener colocados dispositivos de seguridad, como por ejemplo deflectores y recogehierbas.
- Ponga en marcha el motor con cuidado siguiendo las instrucciones y con los pies bien alejados de la cuchilla.
- No incline el cortacésped al poner en marcha el motor, a menos que sea necesario inclinar el cortacésped para ponerlo en marcha. En este caso, no lo incline más de lo absolutamente necesario y levante únicamente la parte que está más lejos del operador. Asegúrese siempre de que ambas manos están en la posición de operación antes de bajar el aparato al suelo.
- No coloque nunca las manos o los pies debajo de piezas que están girando. Manténgase alejado del conducto de descarga en todo momento.
- Nunca levante ni transporte el cortacésped mientras el motor esté en marcha.
- Retire la clavija del enchufe:
  - siempre que deje desatendido el cortacésped;
  - antes de limpiar atascos o de retirar material del conducto;
  - antes de inspeccionar, limpiar o hacer mantenimiento en el cortacésped;
  - después de golpear un objeto extraño. Inspeccione el cortacésped y repare cualquier daño antes de volver a poner en marcha y utilizar el cortacésped;
  - si el cortacésped comienza a vibrar de manera anormal (comprobar inmediatamente).

## Mantenimiento y almacenamiento

- Mantenga apretados todos los tornillos, pernos y tuercas para asegurar que la máquina esté en perfectas condiciones de funcionamiento.
- Inspeccione frecuentemente el recogehierbas por si existe desgaste o deterioro.
- Para su seguridad, sustituya las piezas desgastadas o dañadas.
- Asegúrese de utilizar únicamente la cuchilla de repuesto correcta.
- Utilice solamente piezas de repuesto y accesorios genuinos Toro.


## Presión sonora

Esta unidad tiene un nivel máximo de presión sonora en el oído del operador de 83 dBA, según mediciones realizadas en máquinas idénticas de acuerdo con EN 11201.

## Potencia sonora

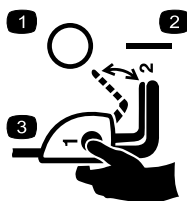
Esta unidad tiene un nivel de potencia sonora garantizado de 96 dBA, según mediciones realizadas en máquinas idénticas de acuerdo con EN 11094.

## Residuos de equipos eléctricos/electrónicos (WEEE)

	<ul style="list-style-type: none"><li>• La Directiva 2002/96/CE de la UE clasifica este producto como herramienta eléctrica o electrónica.</li><li>• <b>No</b> elimine esta herramienta como residuo municipal sin separar.</li><li>• Elimine esta herramienta en un centro de recogida o reciclado con arreglo a la legislación local y nacional.</li><li>• El cliente juega un papel importante en la reducción de residuos al entregar las herramientas electrónicas/eléctricas inservibles para su reciclado.</li><li>• El reciclado evita la dispersión de materiales peligrosos en la corriente de residuos municipales.</li><li>• El símbolo del cubo de basura tachado recuerda al usuario que no debe eliminar este producto como residuo municipal sin separar.</li></ul>
---	---

## Pegatinas de seguridad e instrucciones

**Importante:** Hay pegatinas de seguridad e instrucciones colocadas cerca de zonas de potencial peligro. Si están dañadas o si se han perdido, sustitúyalas.



110-1168

1. Desconectado
2. On
3. Para poner en marcha el cortacésped, pulse y mantenga pulsado el botón mientras tira hacia atrás de la barra de control.

## Vibración, Mano/brazo

Esta unidad no supera un nivel de vibración mano/brazo de 4,8 m/s<sup>2</sup>, según mediciones realizadas en máquinas idénticas de acuerdo con EN 836.

## Montaje

**Nota:** No conecte el cortacésped a una toma de corriente hasta que termine de ensamblarlo por completo.

## 1. Cómo desplegar el manillar

### Procedimiento

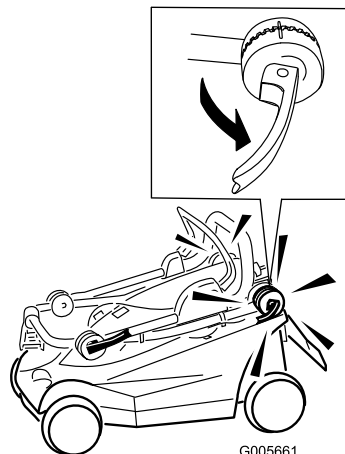
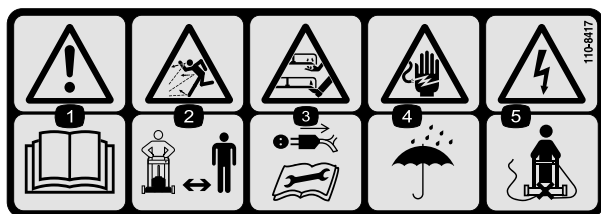
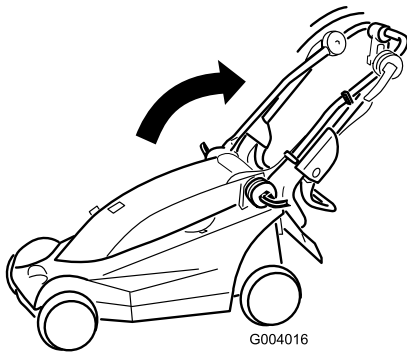


Figura 1

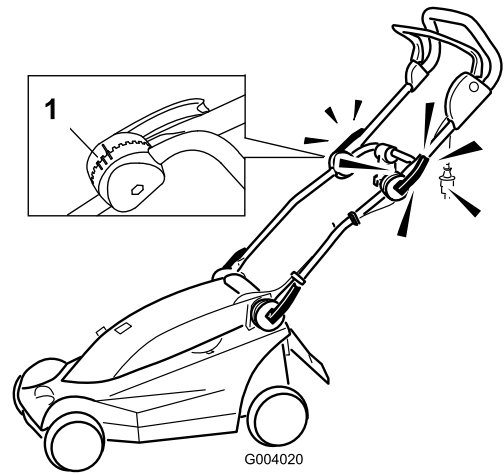


110-8417

1. Advertencia – lea el *Manual del operador*.
2. Peligro de objetos arrojados – mantenga a otras personas a una distancia prudencial de la máquina.
3. Atención, ¡no toque la cuchilla mientras gira! Desconecte el cable de alimentación y lea las instrucciones antes de realizar cualquier tarea de mantenimiento.
4. Peligro de descarga eléctrica – mantenga la máquina alejada de la lluvia y otras fuentes de humedad.
5. Peligro eléctrico, corte del cable eléctrico—no empuje la máquina por encima del cable de alimentación.



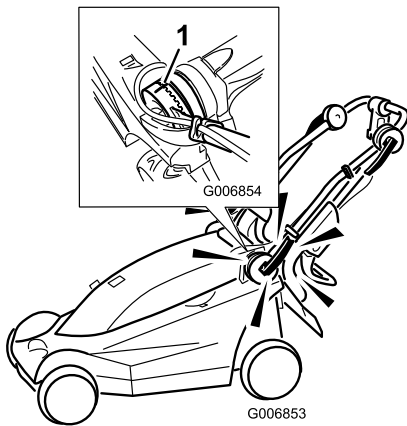
**Figura 2**



**Figura 6**

1. Posiciones del manillar

**Nota:** Puede poner el manillar superior en 1 de 3 posiciones. Alinee la marca con una de las 3 marcas del lado interior del cierre del manillar superior (Figura 6).



**Figura 3**

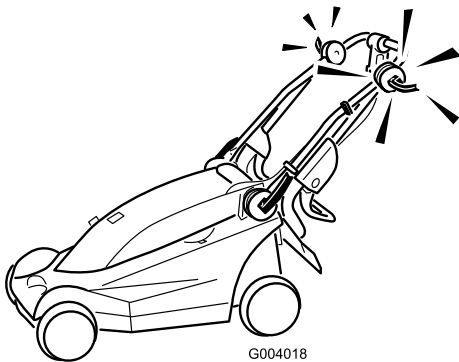
1. Alinee las marcas

## 2. Ensamblaje del recogedor de hierba

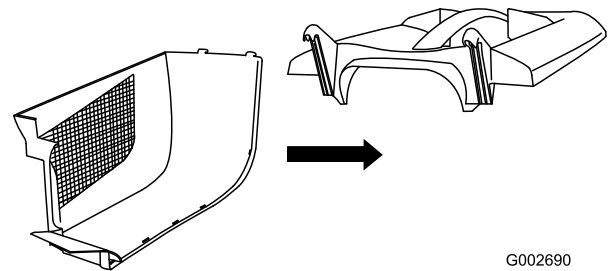
### Procedimiento

**Importante:** Siga los pasos en el orden indicado.

1. Acople el lateral, introduciendo las pestañas en las ranuras de la parte superior (Figura 7).

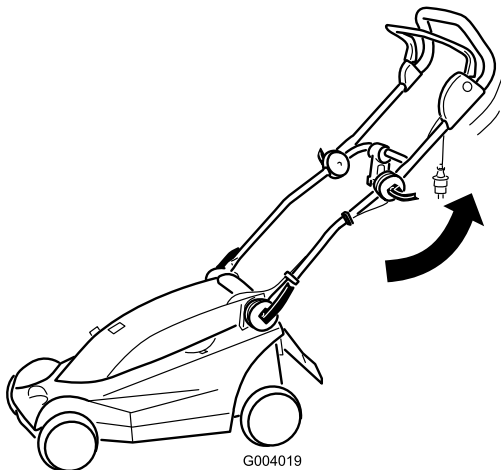


**Figura 4**

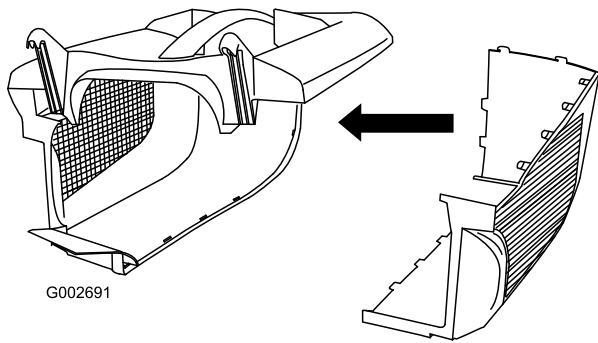


**Figura 7**

2. Acople el otro lateral, introduciendo las pestañas en las ranuras de la parte superior, y junte las partes traseras de ambos laterales (Figura 8).

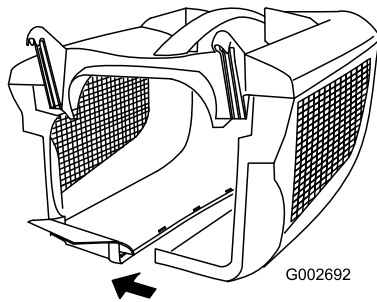


**Figura 5**

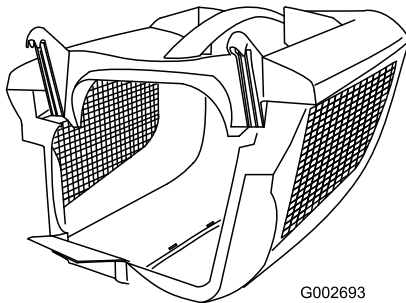


**Figura 8**

3. Empezando por detrás, alinee las restantes pestañas/ranuras de los laterales y engánchelas presionando (Figura 9).

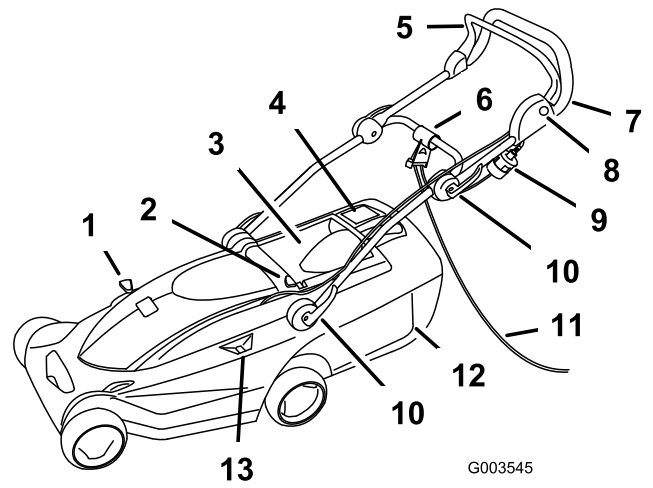


**Figura 9**



**Figura 10**

# El producto



**Figura 11**

- |   |                                       |
|---|---------------------------------------|
| 1. Palanca de reciclado/ensacado          | 8. Botón                              |
| 2. Botón de ajuste de la altura de corte  | 9. Enchufe                            |
| 3. Puerta trasera                         | 10. Cierres del manillar (4)          |
| 4. Indicador de recogedor de hierba lleno | 11. Cable alargador (no suministrado) |
| 5. Barra de control                       | 12. Recogedor de hierba               |
| 6. Dispositivo de sujeción del cable      | 13. Indicador de la altura de corte   |
| 7. Agarradero                             |                                       |

# Especificaciones

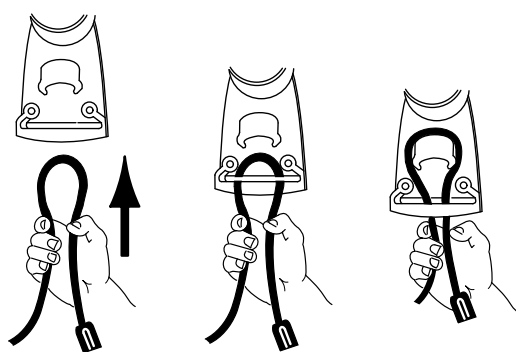
Modelo	21080	21081	21082	21090	21091	21092
Peso	16 kg	17 kg	16 kg	19 kg	20 kg	19 kg
Longitud	137 cm	137 cm	137 cm	145 cm	145 cm	145 cm
Anchura	39 cm	39 cm	39 cm	45 cm	45 cm	45 cm
Anchura de corte nominal	34 cm	34 cm	34 cm	41 cm	41 cm	41 cm
Intervalo de alturas de corte nominal	20 a 75 mm	20 a 75 mm	20 a 75 mm	20 a 75 mm	20 a 75 mm	20 a 75 mm
Volumen del recogehierbas	32 litros	32 litros	32 litros	40 litros	40 litros	40 litros
RPM nominales del motor	3000 rpm	3000 rpm	3000 rpm	3000 rpm	3000 rpm	3000 rpm
Tensión y frecuencia	230 V/ 50 Hz	230 V/ 50 Hz	230 V/ 50 Hz	230 V/ 50 Hz	230 V/ 50 Hz	230 V/ 50 Hz
Potencia	1,2 kW	1,2 kW	1,2 kW	1,2 kW	1,2 kW	1,2 kW

## Operación

### Sujeción del cable alargador

**Nota:** Este procedimiento es para cortacéspedes que requieren un cable alargador.

Utilice únicamente alargadores recomendados para su uso en exteriores.



G002648

Figura 12

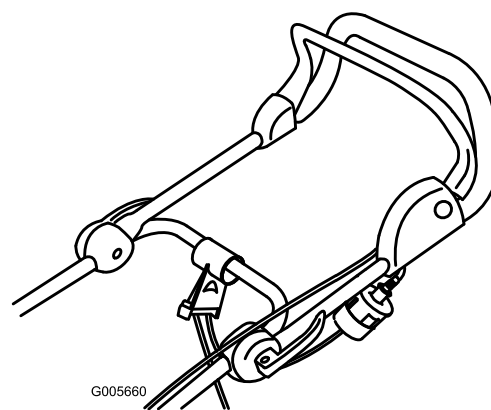
**⚠**

**El contacto con el agua mientras se maneja el cortacésped podría provocar una descarga eléctrica, la cual puede causar lesiones personales o la muerte.**

- No manipule el enchufe o el cortacésped con las manos mojadas o con los pies en agua.
- Utilice únicamente cables alargadores recomendados para su uso en exteriores en temperaturas bajas.

1. Forme un bucle en el cable alargador y fíjelo en el dispositivo de sujeción del cable (Figura 12).

2. Conecte el cable alargador al enchufe del cortacésped (Figura 13).



G005660

Figura 13

**Nota:** No desenchufe el cable alargador tirando del cable; para desconectar el cable, sujete el enchufe, no el cable.



El cable eléctrico podría resultar dañado, causando una descarga o un incendio.

Inspeccione a fondo el cable eléctrico antes de usar el cortacésped. Si el cable está dañado, no utilice el cortacésped. Haga reparar o sustituir un cable dañado inmediatamente por un Servicio Técnico Autorizado Toro.

## Planificación del patrón de siega

El uso del patrón de siega recomendado reducirá el riesgo de pasar el cortacésped por encima del cable, y el cable no sufrirá un desgaste innecesario. No deje que el cable de alimentación se enganche en árboles, arbustos u otros obstáculos.

Empiece segando cerca de la toma de corriente eléctrica. Vaya haciendo pasadas, alejándose cada vez más de la toma de corriente (Figura 14).

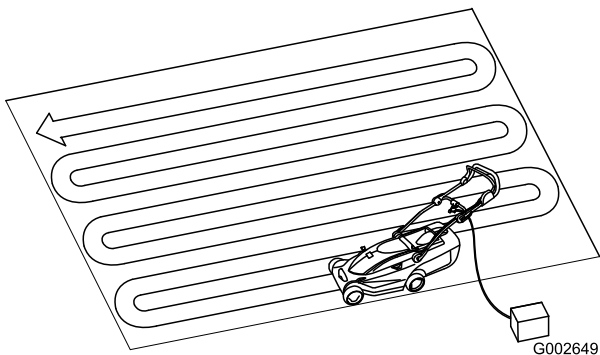


Figura 14

## Cómo poner en marcha el motor

1. Conecte el cable alargador al cortacésped (en su caso).
2. Enchufe el otro extremo del cable en una toma de corriente eléctrica doméstica.
3. Presione el botón situado en el lado izquierdo del manillar (Figura 15).

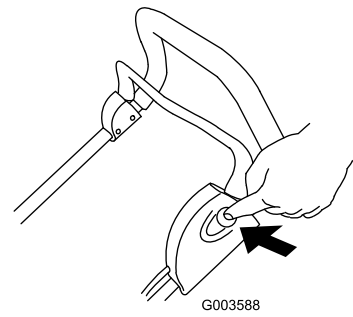


Figura 15

4. Sin soltar el botón, tire de la barra de control hacia el manillar (Figura 16).

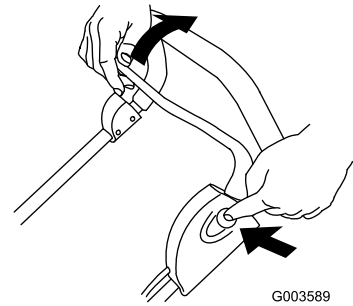


Figura 16

5. Sujete la barra de control junto al manillar y suelte el botón (Figura 17).

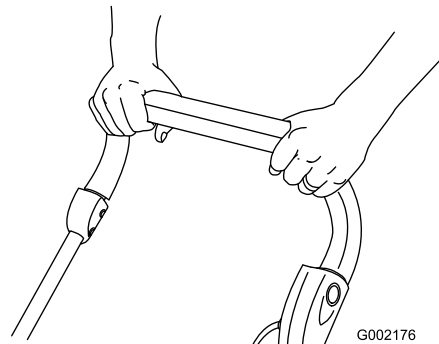


Figura 17



# Cómo parar el motor

1. Suelte la barra de control (Figura 18).

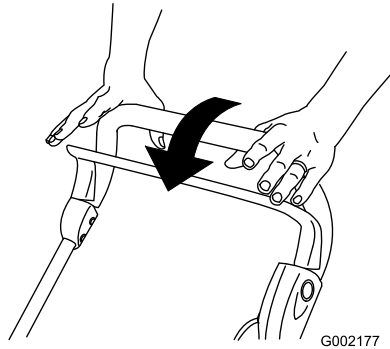


Figura 18

2. Desconecte el cortacésped de la toma de corriente si deja desatendido el cortacésped.

# Ajuste de la altura de corte

El cortacésped cuenta con seis posiciones de ajuste de la altura de corte (todas las alturas son aproximadas): A=20 mm; B=31 mm; C=42 mm; D=53 mm; E=64 mm; y F=75 mm.



**Al manipular las palancas de ajuste de la altura de corte, sus manos y pies podrían tocar una cuchilla en movimiento, lo que podría causarle graves lesiones.**

**Pare el motor y espere a que se detengan todas las piezas en movimiento antes de cambiar el ajuste de la altura de corte.**

1. Pare el motor y espere a que se detengan todas las piezas en movimiento.
2. Pulse con el dedo pulgar el botón de ajuste de la altura de corte y baje o levante la palanca de ajuste de altura de corte hasta el indicador muestre la altura de corte deseada (Figura 19).

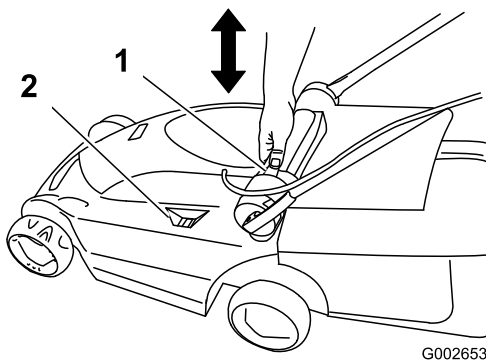


Figura 19

1. Botón de ajuste de la altura de corte
2. Indicador de la altura de corte

3. Suelte el botón de ajuste de altura de corte.

# Ensamado de los recortes

Instale el recogedor de hierba para recoger los recortes.

1. Levante la puerta trasera e instale el recogedor de hierba en el cortacésped (Figura 20).

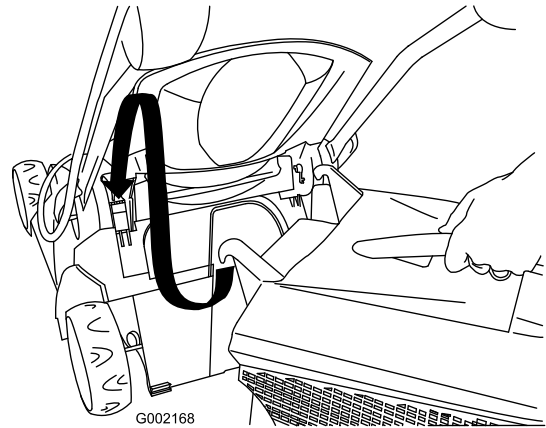


Figura 20

2. Suelte la puerta trasera.
3. Ponga la palanca de reciclado/ensacado en el modo de ensacado (Figura 21).

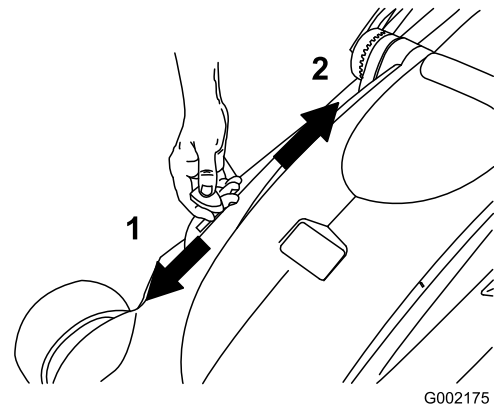
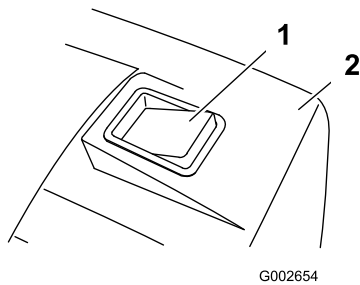


Figura 21

1. Modo de ensacado
2. Modo de reciclado (mulching)
3. Palanca de reciclado/ensacado

4. Siegue con el recogedor de hierba acoplado, hasta que el indicador del recogedor de hierba indique que el recogedor de hierba está lleno (Figura 22).



**Figura 22**

1. Indicador del recogedor de hierba (el recogedor de hierba está lleno)
2. Recogedor de hierba

- 
5. Retire el recogedor de hierba del cortacésped y vacíelo.

**Nota:** Para pasar de ensacado a reciclado, mueva la palanca de reciclado/ensacado al modo de reciclado (Figura 21) y retire el recogedor de hierba.

## Consejos de siega



**Figura 23**

Siga estas instrucciones para obtener los mejores resultados y el mejor aspecto de su césped.

- Mantenga la **cuchilla afilada** durante toda la temporada de siega.
- **Siegue únicamente cuando la hierba esté seca.** La hierba mojada tiende a pegarse al suelo, y pueden atascar el cortacésped o hacer que se cale el motor. También pueden ser resbaladizas, y si usted las pisa, puede resbalar y caerse.
- Al segar, asegúrese de solapar cada pasada unos 4 cm.
- Cuando corte hierba muy larga, siegue primero usando la altura de corte más alta y camine despacio; luego siegue de nuevo a una altura menor para obtener el mejor aspecto de césped.
- Si el aspecto final del césped no es satisfactorio, pruebe a:
  - Afilarse la cuchilla.

# Mantenimiento


Toro ha diseñado este producto para que le proporcione años de funcionamiento sin problemas. Si necesita mantenimiento, lleve el producto a su Servicio Técnico Autorizado Toro.



**Cuando el cortacésped está conectado a una toma de corriente doméstica, el cortacésped está operativo. Alguien podría ponerlo en marcha accidentalmente y causar lesiones graves a usted o a otras personas.**

**Desconecte siempre el cortacésped de la toma de corriente si deja desatendido el cortacésped.**

## Aparatos con doble aislamiento

En un aparato con doble aislamiento, hay dos sistemas de aislamiento en lugar de una conexión a tierra. No se proporciona ningún medio de conexión a tierra en un aparato con doble aislamiento, y no se debe añadir al aparato una conexión a tierra. El mantenimiento de un aparato con doble aislamiento requiere un cuidado extremo y un buen conocimiento del sistema, y sólo debe ser realizado por el personal de servicio cualificado de un Servicio Técnico Autorizado Toro. Las piezas de repuesto de un aparato con doble aislamiento deben ser idénticas a las que sustituyen. Un aparato con doble aislamiento lleva las palabras "Double Insulation" o "Double Insulated". El aparato también puede llevar el símbolo  (un cuadrado dentro de otro).

## Limpieza de la carcasa del cortacésped

Después de cada uso, limpie la carcasa del cortacésped.

Antes de limpiarla, pare el motor, espere a que se detengan todas las piezas en movimiento, y desconecte el cortacésped de la toma de corriente.

**Importante:** No limpie el cortacésped con agua. Puede quedar humedad dentro del cortacésped y causar la corrosión de piezas internas.

- Limpie los bajos de la carcasa del cortacésped. Retire la suciedad y los recortes de hierba con un rascador de madera dura.
- Retire los residuos de los orificios de ventilación de la parte superior del cortacésped.

- Con un cepillo, retire todos los residuos de la carcasa del cortacésped.
- Compruebe que el alojamiento del enchufe de alimentación no muestra señales de derretimiento o recalentamiento. Si el enchufe del cable alargador está viejo o desgastado, puede no encajar perfectamente en el alojamiento y causar sobrecalentamiento debido al mal contacto. Cambie inmediatamente cualquier cable alargador dañado (en su caso).

## Mantenimiento de la cuchilla

Siegue siempre con la cuchilla afilada. Una cuchilla afilada corta la hierba uniformemente, sin romper o deshilar la hierba.

Cuando cambie la cuchilla, utilice solamente cuchillas de repuesto genuinas de Toro.



**Alguien podría poner el motor en marcha accidentalmente y causar lesiones graves al operador o a otras personas.**

**No intente inspeccionar, retirar o cambiar la cuchilla sin antes desconectar el cortacésped de la toma de corriente.**

1. Pare el motor y espere a que se detengan todas las piezas en movimiento.
2. Desconecte el cortacésped de la toma de corriente eléctrica.
3. Ponga el cortacésped de lado.
4. Examine cuidadosamente la cuchilla para asegurarse de que está afilada y para detectar cualquier desgaste, sobre todo en la reunión entre la parte plana y la parte curva de la cuchilla. Si se aprecia desgaste, cambie la cuchilla.

**Nota:** Para obtener el mejor rendimiento, instale una cuchilla nueva antes de que empiece la temporada de siega. Durante la temporada de siega, lime cualquier desperfecto de la cuchilla con el fin de mantener el filo de corte.



**Una cuchilla desgastada o dañada podría romperse, y un trozo de la cuchilla podría ser arrojado a la zona donde está el operador u otra persona, provocando lesiones personales graves o la muerte.**

**Inspeccione periódicamente la cuchilla y cambie la cuchilla si está desgastada o dañada.**

## Cómo retirar la cuchilla

1. Sujete el extremo de la cuchilla (Figura 24) usando un paño o un guante grueso.

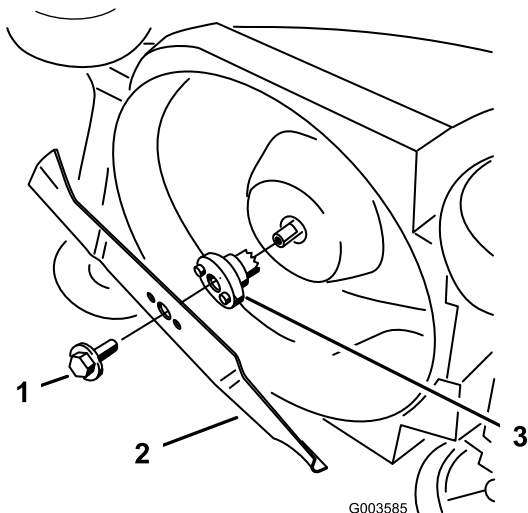


Figura 24

1. Perno de la cuchilla
2. Cuchilla
3. Adaptador de la cuchilla

2. Retire el perno de la cuchilla y la cuchilla.

**Importante:** Si se desprende el adaptador de la cuchilla, asegúrese de instalarlo antes de instalar la cuchilla y el perno de la cuchilla. La operación del cortacésped sin el adaptador de la cuchilla dañará el cortacésped.

## Cómo afilar la cuchilla

Utilice una lima para afilar la parte superior de la cuchilla y mantener el ángulo de corte original.

**Nota:** La cuchilla permanece equilibrada si se retira la misma cantidad de material de ambos filos de corte.

**Importante:** Verifique el equilibrio de la cuchilla colocándola sobre un equilibrador de cuchillas. Usted puede adquirir un equilibrador barato en cualquier ferretería. Una cuchilla equilibrada se mantiene horizontal; si la cuchilla no está equilibrada, el extremo más pesado baja. Si la cuchilla no está equilibrada, lime más metal del filo de corte en el extremo más pesado de la cuchilla.

## Cómo instalar la cuchilla

Instale una cuchilla afilada y equilibrada y el perno de la cuchilla. La vela de la cuchilla debe apuntar hacia la parte superior de la carcasa del cortacésped para asegurar una instalación correcta. Apriete el perno de la cuchilla a 15 Nm.

## Mantenimiento del sistema de encendido/apagado y del freno de la cuchilla

El motor y la cuchilla están diseñados de tal forma que deben detenerse en el plazo de 3 segundos cuando usted suelta la barra de control. Asegúrese de que la barra de control funciona correctamente cada vez que usted utilice el cortacésped. Si la cuchilla no se detiene en 3 segundos o si hay ruidos metálicos producidos por el roce cuando usted suelta la barra de control, póngase en contacto con un Servicio Técnico Autorizado Toro. Esta misma recomendación es aplicable si usted nota fuertes vibraciones mientras utiliza el cortacésped.

## Almacenamiento

Almacene el cortacésped en un lugar fresco, limpio y seco, fuera del alcance de los niños. Cubra el cortacésped para mantenerlo limpio y protegido.

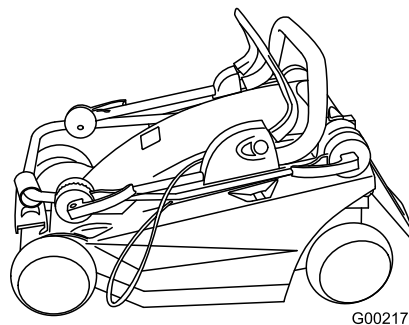


Figura 25

1. Limpie la carcasa del cortacésped.
2. Compruebe la condición de la cuchilla.

# Solución de problemas

Problema	Posible causa	Acción correctora
El motor no arranca	<ol style="list-style-type: none"> <li>1. El cable alargador no está conectado al cortacésped.</li> <li>2. El cable alargador está dañado.</li> <li>3. El fusible o el disyuntor está fundido.</li> </ol>	<ol style="list-style-type: none"> <li>1. Conecte el cable alargador al cortacésped y enchufe el otro extremo del cable alargador en una toma de corriente doméstica normal.</li> <li>2. Compruebe el cable alargador, y repare el cable si está dañado.</li> <li>3. Compruebe el fusible de salida o el disyuntor.</li> </ol>
El motor es difícil de arrancar o pierde potencia	<ol style="list-style-type: none"> <li>1. El conducto de descarga del cortacésped está atascado.</li> <li>2. Es necesario limpiar los bajos de la carcasa del cortacésped.</li> <li>3. La altura de corte es demasiado baja.</li> </ol>	<ol style="list-style-type: none"> <li>1. Desatasque el conducto de descarga del cortacésped.</li> <li>2. Limpie los bajos de la carcasa del cortacésped.</li> <li>3. Ajuste la altura de corte del cortacésped a una posición más alta y vuelva a arrancar el motor.</li> </ol>
El cortacésped o el motor vibra excesivamente	<ol style="list-style-type: none"> <li>1. La cuchilla no está equilibrada.</li> <li>2. El perno de montaje de la cuchilla está suelto.</li> <li>3. El conducto de descarga del cortacésped está atascado.</li> <li>4. Es necesario limpiar los bajos de la carcasa del cortacésped.</li> <li>5. Los pernos de montaje del motor están sueltos.</li> </ol>	<ol style="list-style-type: none"> <li>1. Equilibre la cuchilla.</li> <li>2. Apriete el perno de montaje de la cuchilla.</li> <li>3. Desatasque el conducto de descarga del cortacésped.</li> <li>4. Limpie los bajos de la plataforma del cortacésped.</li> <li>5. Apriete los pernos de montaje del motor.</li> </ol>
Patrón de corte desigual	<ol style="list-style-type: none"> <li>1. La cuchilla no está afilada ni equilibrada.</li> <li>2. Usted sigue el mismo camino cada vez que siega.</li> <li>3. Es necesario limpiar los bajos de la carcasa del cortacésped.</li> </ol>	<ol style="list-style-type: none"> <li>1. Afile y equilibre la cuchilla.</li> <li>2. Cambie el patrón de siega.</li> <li>3. Limpie los bajos de la plataforma del cortacésped.</li> </ol>
Se atasca el conducto de descarga	<ol style="list-style-type: none"> <li>1. La altura de corte es demasiado baja.</li> <li>2. Está intentando segar hierba mojada.</li> <li>3. Es necesario limpiar los bajos de la carcasa del cortacésped.</li> </ol>	<ol style="list-style-type: none"> <li>1. Eleve la altura de corte.</li> <li>2. Deje que la hierba se seque antes de segar.</li> <li>3. Limpie los bajos de la plataforma del cortacésped.</li> </ol>

## International Distributor List—Consumer Products

<b>Distributor:</b>	<b>Country:</b>	<b>Phone Number:</b>
Atlantis Su ve Sulama Sistemleri Lt	Turkey	90 216 344 86 74
Balama Prima Engineering Equip	Hong Kong	852 2155 2163
B-Ray Corporation	Korea	82 32 551 2076
Casco Sales Company	Puerto Rico	787 788 8383
Ceres S.A	Costa Rica	506 239 1138
CSSC Turf Equipment (pvt) Ltd	Sri Lanka	94 11 2746100
Cyril Johnston & Co	Nothern Ireland	44 2890 813 121
Equivier	Mexico	52 55 539 95444
Femco S.A.	Guatemala	502 442 3277
G.Y.K. Company Ltd.	Japan	81 726 325 861
Geomechaniki of Athens	Greece	30 10 935 0054
Guandong Golden Star	China	86 20 876 51338
Hako Gorund and Garden	Sweden	46 35 10 0000
Hydroturf Int. Co	Dubai United Arab Emirates	97 14 347 9479
Hydroturf Egypt LLC	Egypt	202 519 4308
Ibea S.p.A.	Italy	39 0331 853611
Irriamc	Portugal	351 21 238 8260
Jean Heybroek b.v.	Netherlands	31 30 639 4611
Lely (U.K. ) Limited	United Kingdom	44 1480 226 800
Maquiver S.A.	Colombia	57 1 236 4079
Maruyama Mfg. Co. Inc.	Japan	81 3 3252 2285
Metra Kft	Hungary	36 1 326 3880
Mountfield a.s.	Czech Republic	420 255 704 220
Munditol S.A.	Argentina	54 11 4 821 9999
Oslinger Turf Equipment SA	Ecuador	593 4 239 6970
Oy Hako Ground and Garden Ab	Finland	358 987 00733
Parkland Products Ltd	New Zealand	64 3 34 93760
Prochaska & Cie	Austria	43 1 278 5100
RT Cohen 2004 Ltd	Israel	972 986 17979
Riversa	Spain	34 9 52 83 7500
Roth Motorgerate GmBh & Co	Germany	49 7144 2050
Sc Svend Carlsen A/S	Denmark	45 66 109 200
Solvert S.A.S	France	33 1 30 81 77 00
Spypros Stavrinides Limited	Cyprus	357 22 434131
Surge Systems India Limited	India	91 1 292299901
T-Markt Logistics Ltd	Hungary	36 26 525 500
Toro Australia	Australia	61 3 9580 7355
Toro Europe BVBA	Belgium	32 14 562 960



## La Garantía Toro

### Condiciones y productos cubiertos

The Toro® Company y su afiliado, Toro Warranty Company, bajo un acuerdo entre sí, prometen conjuntamente al comprador original\* reparar cualquier producto Toro usado con propósitos residenciales normales\* si tiene defectos de materiales o mano de obra. Los siguientes plazos son aplicables desde la fecha de la compra original.

#### Productos

Cortacéspedes dirigidos  
Cortacéspedes con conductor, con motor trasero  
Tractores de césped y jardín  
Productos eléctricos manuales  
Lanzanieves  
Giro Zero de consumo

#### Periodo de garantía

Garantía limitada de 2 años  
Garantía limitada de 2 años  
Garantía limitada de 2 años  
Garantía limitada de 2 años  
Garantía limitada de 2 años  
Garantía limitada de 2 años

\* "Comprador original" significa la persona que compró originalmente los productos Toro.

\* "Propósito residencial normal" significa el uso del producto en la misma parcela en que se encuentra su vivienda. El uso en más de un lugar se considera uso comercial, y sería aplicable la garantía de uso comercial.

### Garantía limitada para el uso comercial

Los productos de consumo y accesorios Toro utilizados con propósitos comerciales, institucionales o de alquiler están garantizados contra defectos en materiales o mano de obra durante los periodos de tiempo siguientes a partir de su fecha de compra original:

#### Productos

Cortacéspedes dirigidos  
Cortacéspedes con conductor, con motor trasero  
Tractores de césped y jardín  
Productos eléctricos manuales  
Lanzanieves  
Giro Zero de consumo

#### Periodo de garantía

Garantía de 90 días  
Garantía de 90 días  
Garantía de 90 días  
Garantía de 90 días  
Garantía de 90 días  
Garantía de 45 días

### Instrucciones para obtener asistencia bajo la garantía

Si usted cree que su producto Toro tiene un defecto de materiales o de mano de obra, siga este procedimiento:

1. Póngase en contacto con el vendedor para concertar el servicio técnico del producto. Si por cualquier razón le es imposible ponerse en contacto con el vendedor, puede dirigirse a cualquier Distribuidor Autorizado Toro para concertar el servicio técnico.
2. Lleve el producto y su prueba de compra (recibo o factura de venta) al vendedor o al Distribuidor Autorizado.

Si por alguna razón usted no está satisfecho con el análisis del Distribuidor Autorizado o con la asistencia recibida, póngase en contacto con el importador Toro o con nosotros en la dirección siguiente:

Customer Care Department, Consumer Division  
Toro Warranty Company  
8111 Lyndale Avenue South  
Bloomington, MN 55420-1196  
Director: Soporte técnico: 001-952-887-8248

Consulte la lista de Distribuidores adjunta

### Responsabilidades del propietario

Usted debe mantener su producto Toro siguiendo los procedimientos de mantenimiento descritos en el Manual del operador. Dicho mantenimiento rutinario, sea realizado por un distribuidor o por usted mismo, es por cuenta de usted.

### Elementos y condiciones no cubiertos

Esta garantía expresa no cubre:

- El coste del mantenimiento regular o de las piezas, tales como filtros, combustible, lubricantes, piezas de puesta a punto, afilado de cuchillas, ajustes de frenos y embragues.
- Cualquier producto o pieza que haya sido modificado o mal utilizado o que haya necesitado ser sustituido o reparado debido a desgaste normal, accidente o falta de mantenimiento adecuado.
- Las reparaciones necesarias debidas al uso del combustible incorrecto, contaminantes en el sistema de combustible o falta de preparación adecuada del sistema de combustible antes de cualquier periodo de inactividad de más de tres meses.
- Motor y transmisión. Estos elementos están cubiertos por las garantías de los fabricantes correspondientes, con términos y condiciones propios.

Todas las reparaciones cubiertas por esta garantía deben ser realizadas por un Servicio Técnico Toro Autorizado usando piezas de repuesto homologadas por Toro.

### Condiciones generales

El comprador está amparado por la legislación de cada país. Esta garantía no restringe los derechos del comprador bajo dicha legislación.



# 34 cm:n ja 41 cm:n sähkökäyttöiset Eurocycler™-ruohonleikkurit

Mallinro: 21080—Sarjanro: 270A00001 tai suurempi

Mallinro: 21081—Sarjanro: 270B00001 tai suurempi

Mallinro: 21082—Sarjanro: 270C00001 tai suurempi

Mallinro: 21090—Sarjanro: 270D00001 tai suurempi

Mallinro: 21091—Sarjanro: 270E00001 tai suurempi

Mallinro: 21092—Sarjanro: 270F00001 tai suurempi

## Käyttöopas

## Sisältö

Johdanto .....	1
Turvaohjeet.....	1
Turvalliset käyttötavat.....	2
Äänenpaine .....	2
Ääniteho .....	2
Värinä, käsi/käsivarsi.....	2
.....	2
Sähkö- ja elektroniikkalaiteromu .....	3
Turva- ja ohjetarrat.....	3
Käyttöönotto .....	3
1.Kahvan suoristaminen .....	3
2.Ruohonkeräimen kokoaminen .....	4
Laitteen yleiskatsaus .....	5
Tekniset tiedot.....	5
Käyttö.....	6
Jatkojohdon kiinnitys.....	6
Leikkuukuvion suunnittelu .....	6
Moottorin käynnistys.....	6
Moottorin pysäytys.....	7
Leikkuukorkeuden säätö.....	7
Leikkujätteiden kerääminen ruohonkeräimeen .....	7
Leikkuuvinkkejä .....	8
Kunnossapito.....	9
Kaksoiseristetyt laitteet.....	9
Leikkuukotelon puhdistus .....	9
Terän huolto.....	9
Käynnistys-/sammutusjärjestelmän ja terärrujärjestelmän huolto .....	10
Varastointi.....	10
Vianetsintä .....	11

## Johdanto

Tämä ruohonleikkuri on suunniteltu ainoastaan yksityiseen kotikäyttöön. Sitä ei saa käyttää kaupallisiin tarkoituksiin julkisilla alueilla.

Kiitos, kun valitsit sähkökäyttöisen Toro-ruohonleikkurin kotikäyttöön. Lue tämä käyttöopas huolellisesti, jotta opit käyttämään ja huoltamaan

ruohonleikkuria asianmukaisesti. Tämän käyttöoppaan tiedoilla sinä ja muut käyttäjät pystytte välttämään tapaturmia ja laitevaurioita. Toro suunnittelee ja valmistaa turvallisia laitteita, mutta olet kuitenkin itse vastuussa tuotteen asianmukaisesta ja turvallisesta käytöstä.

Ruohonleikkurien käyttöä koskevat säännökset saattavat vaihdella alueittain. Lisätietoja alueesi määräyksistä ja sallittujen ruohonleikkuaikojen rajoituksista saa paikallisilta viranomaisilta.

## Turvaohjeet

Lue ja sisäistä tämän käyttöoppaan sisältö ennen kuin käynnistät moottorin.

**⚠Tämä on varoitusmerkintä. Sitä käytetään varoittamaan vaaroista, joista voi olla seurauksena henkilövahinko. Noudata symbolin perässä annettuja turvallisuusohjeita mahdollisen tapaturman tai kuoleman välttämiseksi.**

Ruohonleikkurin asiaton käyttö tai huolto voi aiheuttaa tapaturman tai kuoleman. Vähennä tapaturmariskiä noudattamalla seuraavia turvaohjeita.



**Noudata aina näitä turvaohjeita tulipalon, sähköiskun ja henkilövahinkojen vaaran vähentämiseksi tätä sähkökäyttöistä ruohonleikkuria käytettäessä.**

Seuraavat turvallisuustiedot on otettu eurooppalaisesta standardista EN 836:1997 ja standardista CEI/IEC 60335-77:2001.



# Turvalliset käyttötavat

## Yleisiä tietoja

- Lue ohjeet huolellisesti. Tutustu ohjauslaitteisiin ja laitteen asianmukaiseen käyttöön.
- Älä koskaan anna lasten tai näihin ohjeisiin perehtymättömien henkilöiden käyttää ruohonleikkuria. Paikalliset säännökset saattavat asettaa rajoituksia käyttäjän iälle.
- Älä koskaan leikkaa ruohoa, kun lähistöllä on ihmisiä (varsinkin lapsia) tai lemmikkieläimiä.
- Käyttäjä vastaa muille ihmisille tai heidän omaisuudelleen aiheutuneista vahingoista.

## Valmistelut

- Käytä aina ruohoa leikatessa tukevia kenkiä ja pitkiä housuja aina. Älä käytä laitetta avojaloin tai avoimissa sandaaleissa.
- Tarkasta huolellisesti alue, jolla laitetta on tarkoitus käyttää, ja poista kaikki esineet, jotka se voi singota.
- Tarkasta aina ennen käyttöä silmämääräisesti, että terä, terän pultit ja leikkuujärjestelmä eivät ole kuluneet tai vaurioituneet. Vaihda kulunut tai vaurioitunut terä ja pultit sarjoissa, jotta tasapaino säilyy.
- Toro suosittelee, että tämän ruohonleikkurin virtalähteen tulee olla varustettu vikavirtasuojalla, jonka laukaisuvirran tulee olla enintään 30 mA.
- Käytä ainoastaan ulkokäyttöön (tarvittaessa) sopivaa 1,00 mm<sup>2</sup>:n kokoista jatkojohtoa, joka on enintään 30 m pitkä.

## Käsittely

- Leikkaa ruohoa vain päivänvalossa tai hyvässä keinovalaistuksessa.
- Vältä tämän laitteen käyttämistä märässä ruohossa, jos se on mahdollista.
- Varo, että jalkasi eivät luista rinteissä.
- Käytä laitetta kävellen, älä juokse.
- Liiku pyörillä varustetulla kelaleikkurilla poikittain rinteeseen päin, älä koskaan ylös- tai alaspäin.
- Noudata erittäin suurta varovaisuutta vaihtaessasi suuntaa rinteillä.
- Älä yritä leikata ruohoa jyrkissä rinteissä.
- Ole erittäin varovainen vaihtaessasi suuntaa tai vetäessäsi ruohonleikkuria itseäsi kohti.
- Sammuta ruohonleikkuri, kun kuljetat sen leikkuualueelta toiselle. Pysäytä terä, jos siirrat leikkurin pois nurmelta.
- Älä koskaan käytä ruohonleikkuria, jonka suojukset ovat vaurioituneet tai jossa ei ole asennettuna suojalaitteita (kuten suuntainlevyjä ja/tai ruohonkeräimiä).

- Käynnistä moottori huolellisesti ohjeiden mukaan jalat kaukana terästä.
- Älä kallista ruohonleikkuria moottorin käynnistyttyä aikana, ellei ruohonleikkuria täydy kallistaa käynnistystä varten. Kallista tällöin vain sen verran kuin on aivan välttämätöntä ja nosta vain sitä osaa, joka on käyttäjästä poispäin. Varmista aina, että molemmat kädet ovat käyttöasennossa ennen kuin lasket koneen maahan.
- Älä laita käsiä tai jalkoja pyörivien osien lähelle tai alle. Älä milloinkaan mene heittoaukon eteen.
- Älä nosta tai kannaa ruohonleikkuria moottorin ollessa käynnissä.
- Irrota pistoke pistorasiasta:
  - aina kun poistut ruohonleikkurin luota
  - ennen tukkeuman poistamista tai aineen poistamista suppilosta
  - ennen ruohonleikkurin tarkastamista, puhdistamista tai huoltamista
  - vieraaseen esineeseen osumisen jälkeen. Tarkasta, onko ruohonleikkurissa vaurioita ja korjaa ne ennen ruohonleikkurin käynnistämistä ja käyttämistä
  - jos ruohonleikkuri alkaa tärinästä epänormaalisti (tarkasta heti).

## Kunnossapito ja varastointi

- Huolehdi, että mutterit, pultit ja ruuvit ovat tiukalla, jotta laitetta on turvallista käyttää.
- Tarkista säännöllisesti, ettei ruohonkerääjässä ole kulumia tai vaurioita.
- Vaihda kuluneet tai vaurioituneet osat turvallisuuden parantamiseksi.
- Käytä vaihtoteränä ainoastaan sopivaa leikkuuterää.
- Hanki vain aitoja Toro-varaosia ja -lisävarusteita.

## Äänenpaine

Tämän laitteen suurin äänenpainetaso käyttäjän korvan kohdalla on 83 dBA. Mittaustulos perustuu samanlaisilla koneilla EN 11201:n mukaisesti tehtyihin mittauksiin.

## Ääniteho

Tämän laitteen taattu äänitehon taso on 96 dBA. Mittaustulos perustuu samanlaisilla koneilla standardin EN 11094 mukaisesti tehtyihin mittauksiin.

## Värinä, käsi/käsivarsi

Tämän laitteen värinätaaso käsissä on enintään 4,8 m/s<sup>2</sup>. Mittaustulos perustuu samanlaisilla koneilla standardin EN 836 mukaisesti tehtyihin mittauksiin.

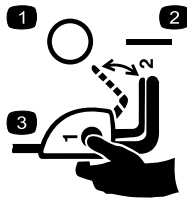
# Sähkö- ja elektroniikkalaiteromu



- Tämä laite luokitellaan EU-direktiivin 2002/96/EY mukaan elektroniikka- tai sähköjätkeksi.
- Työkäluä ei saa hävittää lajittelemattoman yhdyskuntajätteen mukana.
- Tämä työkalu on toimitettava hävitettäväksi keräyspisteeseen tai kierrätyskeskukseen paikallisen lainsäädännön edellyttämällä tavalla.
- Kuluttajat voivat vähentää huomattavasti jätteiden määrää toimittamalla elektroniikka- ja sähköjätkeä kierrätettäviksi.
- Kierrätys estää vaarallisten aineiden leviämisen yhdyskuntajätteen sekaan.
- Tämä merkintä muistuttaa käyttäjää siitä, että tuotetta ei saa hävittää lajittelemattoman yhdyskuntajätteen mukana.

## Turva- ja ohjetarrat

**Tärkeää:** Turva- ja ohjetarrat on sijoitettu mahdollisesti vaarallisten alueiden lähelle. Vaihda vaurioituneet tai kadonneet tarrat uusiin.



110-1168

1. Pois
2. Käynnissä
3. Kytke leikkuri pitämällä painiketta painettuna ja vetämällä samalla ohjaustankoa taaksepäin.



110-8417

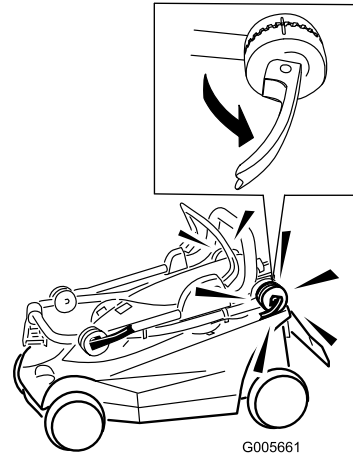
1. Vaara – lue käyttöopas.
2. Esineiden sinkoutumisvaara – pidä sivulliset turvallisen matkan päässä koneesta.
3. Vaara – älä koske pyörivään terään! Irrota virtajohto ja lue ohjeet ennen korjaamista tai huoltamista.
4. Sähköiskuvaara – pidä laite poissa sateesta ja muista märistä olosuhteista.
5. Sähköjohdon rikkoutumisvaara – älä työnnä laitetta virtajohdon päältä.

## Käyttöönotto

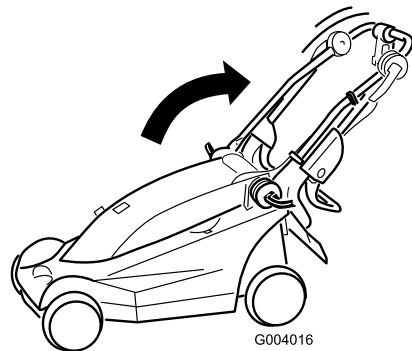
**Huomaa:** Älä kytke ruohonleikkuria virtalähteeseen, ellei leikkuri ole täysin koottu.

### 1. Kahvan suoristaminen

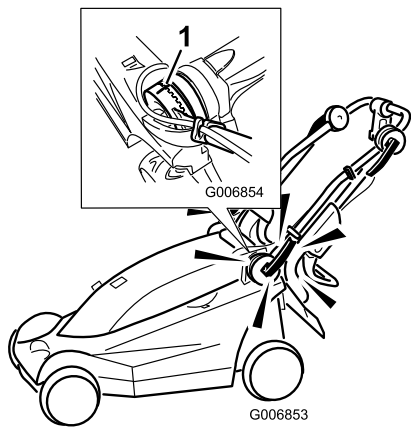
#### Ohjeet



Kuva 1

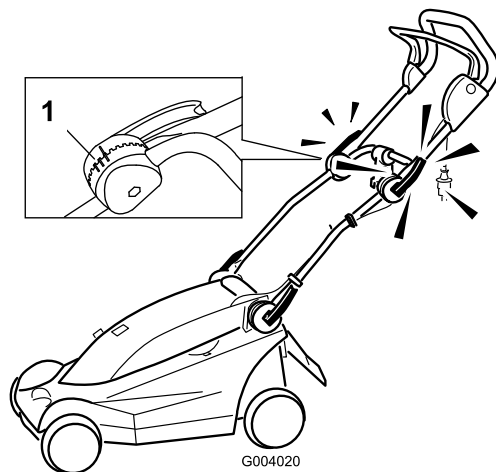


Kuva 2



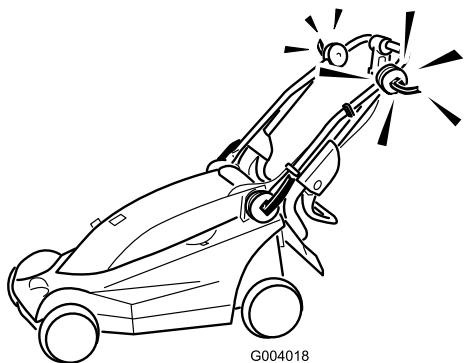
Kuva 3

1. Kohdista merkit

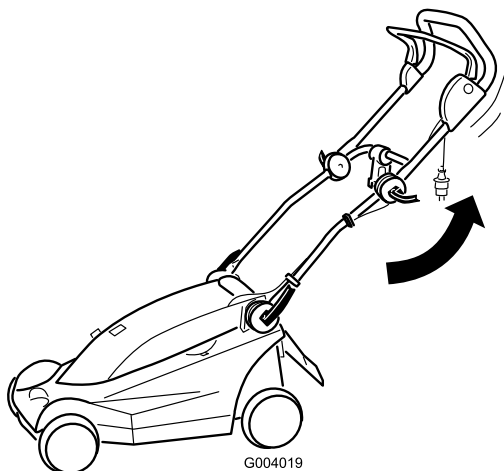


Kuva 6

1. Kahvan asentojen merkit



Kuva 4



Kuva 5

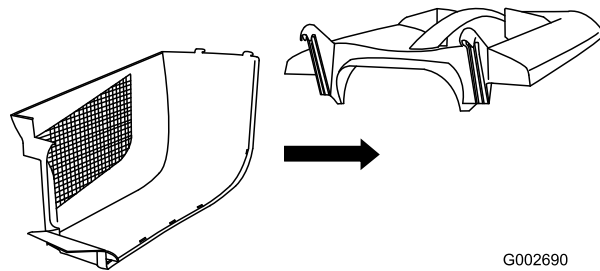
**Huomaa:** Yläkahva voidaan asettaa johonkin kolmesta asennosta. Kohdista merkki johonkin kolmesta yläkahvan lukon sisäpinnalla olevista merkeistä (Kuva 6).

## 2. Ruohonkeräimen kokoaminen

### Ohjeet

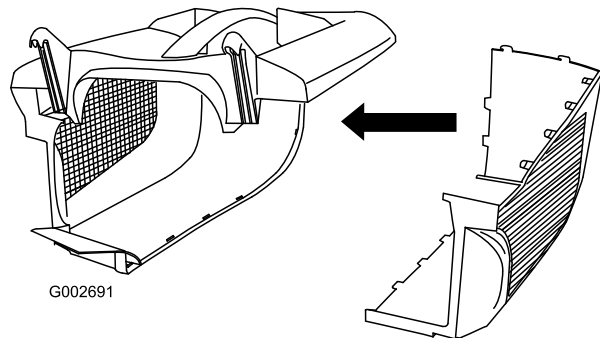
**Tärkeää:** Tee vaiheet esitetyssä järjestyksessä.

1. Liu'uta sivuosa yläosan salpoihin (Kuva 7).



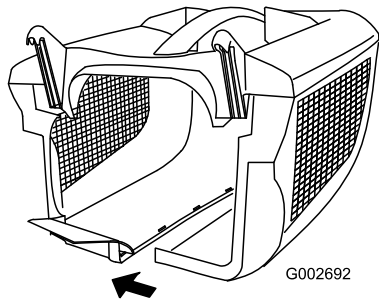
Kuva 7

2. Liu'uta toinen sivuosa yläosan salpoihin ja salpaa sivuosien päät yhteen (Kuva 8).

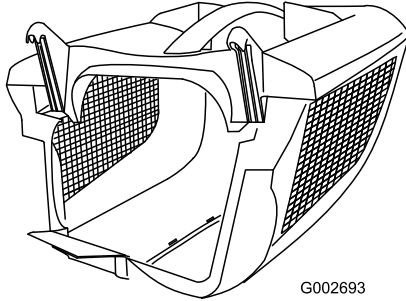


Kuva 8

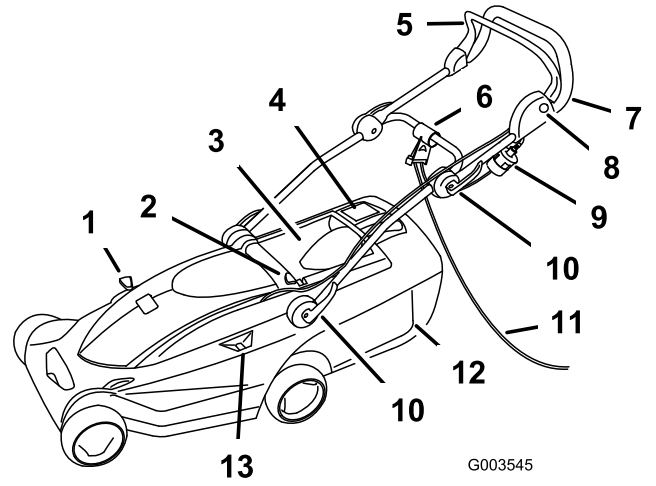
3. Aloita takaosasta ja kohdista ja työnnä jäljellä olevat sivusalvat yhteen (Kuva 9).



Kuva 9



Kuva 10



Kuva 11

- |  |                               |
|--|-------------------------------|
| 1. Kierrätys-/keräysvipu               | 8. Painike                    |
| 2. Leikkuukorkeuden säätöpainike       | 9. Pistoke                    |
| 3. Takaluukku                          | 10. Kahvan lukot (4)          |
| 4. Ruohonkeräimen täyttymisen ilmaisin | 11. Jatkojohto (ei mukana)    |
| 5. Ohjaustanko                         | 12. Ruohonkeräin              |
| 6. Johtopidike                         | 13. Leikkuukorkeuden ilmaisin |
| 7. Kahva                               |                               |

## Laitteen yleiskatsaus

### Tekniset tiedot

Malli	21080	21081	21082	21090	21091	21092
Paino	16 kg	17 kg	16 kg	19 kg	20 kg	19 kg
Pituus	137 cm	137 cm	137 cm	145 cm	145 cm	145 cm
Leveys	39 cm	39 cm	39 cm	45 cm	45 cm	45 cm
Nimellinen leikkuuleveys	34 cm	34 cm	34 cm	41 cm	41 cm	41 cm
Nimellinen leikkuukorkeus	20–75 mm	20–75 mm	20–75 mm	20–75 mm	20–75 mm	20–75 mm
Ruohonkeräimen tilavuus	32 l	32 l	32 l	40 l	40 l	40 l
Moottorin nimellinen kierrosnopeus	3000 rpm	3000 rpm	3000 rpm	3000 rpm	3000 rpm	3000 rpm
Jännite ja taajuus	230 V / 50 Hz	230 V / 50 Hz	230 V / 50 Hz	230 V / 50 Hz	230 V / 50 Hz	230 V / 50 Hz
Teho	1,2 kW	1,2 kW	1,2 kW	1,2 kW	1,2 kW	1,2 kW

# Käyttö

## Jatkojohdon kiinnitys

**Huomaa:** Tämä toimenpide on ruohonleikkureille, jotka vaativat jatkojohdon.

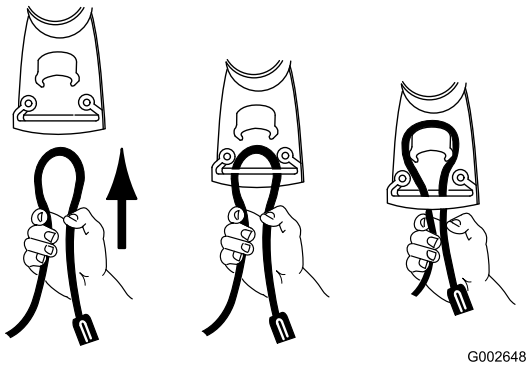
Käytä vain ulkokäyttöön tarkoitettua jatkojohtoa.



Kosketus veteen ruohonleikkurin käytön aikana saattaa aiheuttaa tappavan voimakkaan sähköiskun.

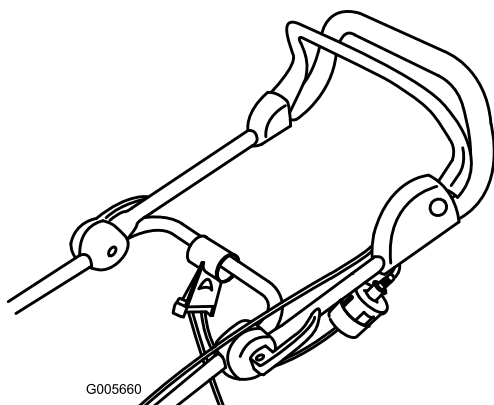
- Älä käsittele pistoketta tai ruohonleikkuria märin käsin tai kun seisot vedessä.
- Käytä vain kylmässä säässä ulkokäyttöön suositeltua jatkojohtoa.

1. Tee jatkojohtoon silmukka ja kiinnitä se johtopidikkeeseen (Kuva 12).



Kuva 12

2. Kytke jatkojohto ruohonleikkurin pistokkeeseen (Kuva 13).



Kuva 13

**Huomaa:** Älä irrota jatkojohtoa pistorasiasta vetämällä johdosta. Irrota johto pistorasiasta tarttumalla pistokkeeseen, ei johtoon.



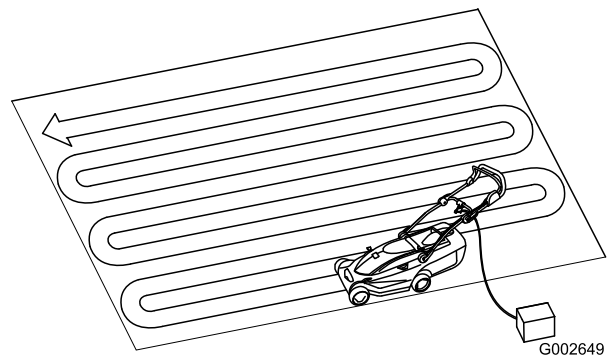
Sähköjohto saattaa vaurioitua ja aiheuttaa sähköiskun tai tulipalon.

Tutki sähköjohto perusteellisesti ennen ruohonleikkurin käyttöä. Jos johto on vaurioitunut, älä käytä ruohonleikkuria. Vie vaurioitunut johto välittömästi valtuutettuun Toro-huoltoliikkeeseen vaihdettavaksi tai korjattavaksi.

## Leikkuukuvion suunnittelu

Noudatettaessa suositeltua leikkuukuviota riski ajaa leikkurilla johdon päälle on pienempi eikä johto kulu tarpeettomasti. Älä päästä virtajohtoa kiertymään puiden, pensaiden tai muiden esteiden ympärille.

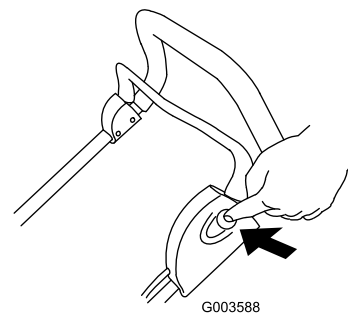
Aloita leikkaaminen lähellä sähkövirtalähdettä. Leikkaa edestakaisin ja siirry vähitellen etäämmäs virtalähteestä (Kuva 14).



Kuva 14

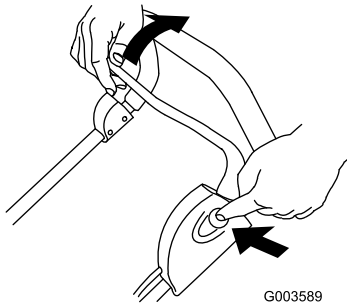
## Moottorin käynnistys

1. Kytke jatkojohto (jos käytössä) ruohonleikkuriin.
2. Kytke johdon toinen pää pistorasiaan.
3. Paina kahvan vasemmalla puolella olevaa painiketta ja pidä sitä painettuna (Kuva 15).



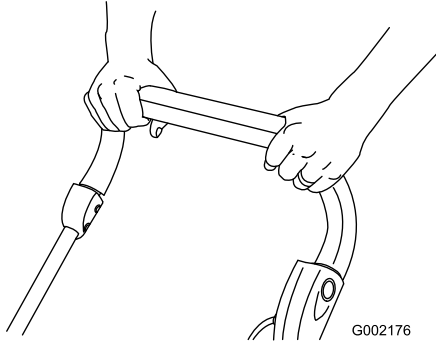
Kuva 15

4. Pidä painiketta painettuna ja vedä ohjaustankoa kahvaa kohti (Kuva 16).



Kuva 16

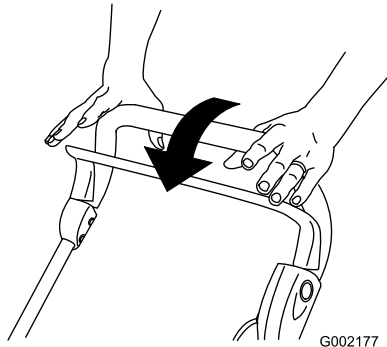
5. Pidä ohjaustankoa kahvaa vasten ja vapauta painike (Kuva 17).



Kuva 17

## Moottorin pysäytys

1. Vapauta ohjaustanko (Kuva 18).



Kuva 18

2. Irrota leikkuri virtalähteestä, jos jätät leikkurin ilman valvontaa.

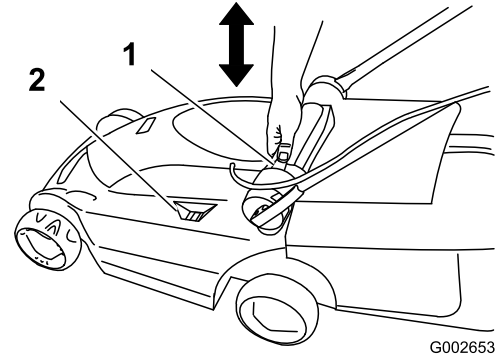
## Leikkuukorkeuden säätö

Leikkurissa on kuusi leikkuukorkeuden asentoa (kaikki korkeudet ovat likimääräisiä): A=20 mm, B=31 mm, C=42 mm, D=53 mm, E=64 mm ja F=75 mm.

**Leikkuukorkeussäätimiä käsiteltäessä kädet ja jalat saattavat joutua kosketuksiin liikkuvan terän kanssa, mikä voi aiheuttaa vakavia vammoja.**

**Sammuta moottori ja odota, kunnes kaikki liikkuvat osat ovat pysähtyneet, ennen kuin muutat leikkuukorkeuden asetusta.**

1. Sammuta moottori ja odota, kunnes kaikki liikkuvat osat ovat pysähtyneet.
2. Paina peukalolla leikkuukorkeuden säätöpainiketta ja paina tai nosta leikkuukorkeuden kahva haluamaasi leikkuukorkeusasetukseen leikkuukorkeuden ilmaisimen mukaan (Kuva 19).



Kuva 19

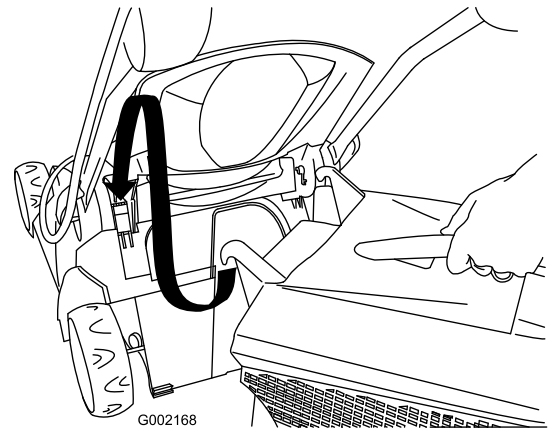
1. Leikkuukorkeuden säätöpainike
2. Leikkuukorkeuden ilmaisim

3. Vapauta leikkuukorkeuden säätöpainike.

## Leikkujätteiden kerääminen ruohonkeräimeen

Asenna ruohonkeräin leikkujätteiden keräystä varten.

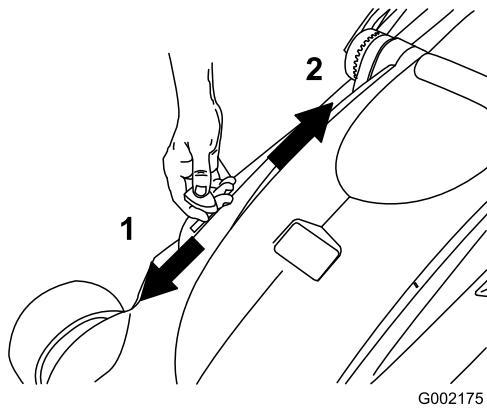
1. Nosta takaluukku ja asenna ruohonkeräin leikkuriin (Kuva 20).



Kuva 20

2. Vapauta takaluukku.

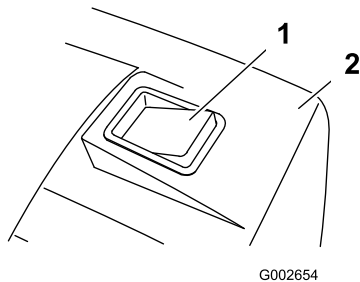
3. Siirrä kierrätys-/keräysvipu keräysasentoon (Kuva 21).



Kuva 21

1. Keräysasento  
2. Kierrätysasento (levitys)  
3. Kierrätys-/keräysvipu

4. Leikkaa ruohoa ruohonkeräimen ollessa kiinnitettynä, kunnes ruohonkeräimen ilmaisin ilmoittaa ruohonkeräimen täyttyneen (Kuva 22).



Kuva 22

1. Ruohonkeräimen ilmaisin (ruohonkeräin on täynnä)  
2. Ruohonkeräin

5. Irrota ruohonkeräin ruohonleikkurista ja tyhjennä sisältö.

**Huomaa:** Jos haluat vaihtaa keräyksestä kierrätykseen, siirrä kierrätys-/keräysvipu kierrätysasentoon (Kuva 21) ja irrota ruohonkeräin.

## Leikkuuvinkkejä



Kuva 23

Noudattamalla näitä ohjeita saavutetaan paras leikkuujälki ja parhaan näköinen nurmikko.

- Pidä **terä terävänä** koko leikkuukauden ajan.
- **Leikkaa vain kuivaa ruohoa.** Kosteaa ruohoa paakkuuntuu nurmikolle ja voi tukkia ruohonleikkurin tai pysäyttää moottorin. Kosteaa alusta voi myös olla liukas kävellä ja aiheuttaa liukastumisen ja kaatumisen.
- Kun leikkaat yksittäisiä leikkuukaistoja, varmista noin 4 cm:n limittäisyys.
- Leikattaessa erittäin pitkää ruohoa kannattaa leikata ensin korkeimmalla leikkuukorkeuden asetuksella ja kävellä hitaasti ja leikata sen jälkeen uudestaan matalammalla asetuksella, jotta nurmikosta tulee hyvän näköinen.
- Jos leikattu nurmikko ei näytä hyvältä, kokeile seuraavia toimenpiteitä tai jotain niistä:
  - Teroita terä.
  - Kävele hitaammin leikatessasi.
  - Nosta leikkurin leikkuukorkeusasetusta.
  - Leikkaa ruoho useammin.
  - Kulje aina osaksi edellisen leikkuukaistan päällä; älä leikkaa kokonaan uutta kaistaa.

# Kunnossapito


Toro on suunnitellut tämän tuotteen siten, että se toimii moitteettomasti vuosien ajan. Jos sitä on huollettava, vie laite valtuutettuun Toro-huoltoliikkeeseen.



**Kun leikkuri on kytkettynä pistorasiaan, leikkuri on käyttövalmis. Joku saattaa käynnistää leikkurin vahingossa ja aiheuttaa vakavan tapaturman lähellä oleville henkilöille.**

**Irrota leikkuri virtalähteestä, jos jätät leikkurin ilman valvontaa.**

## Kaksoiseristetyt laitteet

Kaksoiseristetyissä laitteissa käytetään maadoituksen sijaan kahta eristysjärjestelmää. Kaksoiseristettyjen laitteiden mukana ei toimiteta maadoitusvälineitä, eikä niihin saa lisätä maadoitusta. Kaksoiseristettyjen laitteiden huoltaminen edellyttää äärimmäistä tarkkuutta ja järjestelmän tuntemusta, ja se on jätettävä valtuutetun Toro-huoltoliikkeen koulutetun huoltohenkilökunnan tehtäväksi. Kaksoiseristettyjen laitteiden varaosien on oltava täsmälleen samanlaisia kuin alkuperäiset osat. Kaksoiseristetyssä laitteessa on merkintä ”Double Insulation” tai ”Double Insulated”. Laitteessa voi olla myös merkki  (neliö neliön sisällä).

## Leikkuukotelon puhdistus

Puhdista leikkuukotelo jokaisen käyttökerran jälkeen.

Sammuta moottori, odota että kaikki liikkuvat osat pysähtyvät ja irrota leikkuri virtalähteestä ennen puhdistamista.

**Tärkeää:** Älä pese leikkuria vedellä. Leikkuriin saattaa jäädä kosteutta, joka voi ruostuttaa sisäisiä osia.

- Puhdista leikkuukotelon alapuoli. Irrota lika ja leikkuujätteet kovapuisella kaapimella.
- Irrota roskat leikkurin yläosassa olevista kotelon aukoista.
- Harjaa kaikki roskat leikkuukotelosta.
- Tarkasta, ettei pistorasiassa ole merkkejä sulamisesta tai kuumenemisestä. Vanhat ja kuluneet jatkojohdon pistokkeet, jotka ovat löysästi pistorasiassa, saattavat aiheuttaa ylikuumenemista huonon kosketuksen takia. Vaihda vaurioituneet jatkojohdot välittömästi.

## Terän huolto

Leikkaa aina terävällä terällä. Terävä terä leikkaa ruohon tasaisesti repimättä ja silppuamatta.

Vaihda kulunut terä alkuperäiseen Toro-vaihtoterään.



**Joku saattaa käynnistää moottorin vahingossa ja aiheuttaa vakavan tapaturman käyttäjälle tai lähellä oleville henkilöille.**

**Älä yritä tarkastaa, irrottaa tai vaihtaa terää irrottamatta leikkuria ensin virtalähteestä.**

1. Sammuta moottori ja odota, kunnes kaikki liikkuvat osat ovat pysähtyneet.
2. Irrota leikkuri sähkövirtalähteestä.
3. Kallista ruohonleikkuri kyljelleen.
4. Tarkasta huolellisesti, että terä on terävä ja kulumaton, varsinkin tasaisten ja muotoiltujen osien kohtauspaikoissa. Vaihda terä, jos siinä on kulumisen merkkejä.

**Huomaa:** Jotta ruohonleikkuri toimii parhaalla mahdollisella tavalla, asenna uusi terä ennen leikkuukauden alkamista. Viilaa leikkuukauden aikana pienet lovet terästä, jotta sen leikkuusärmä pysyy hyvänä.



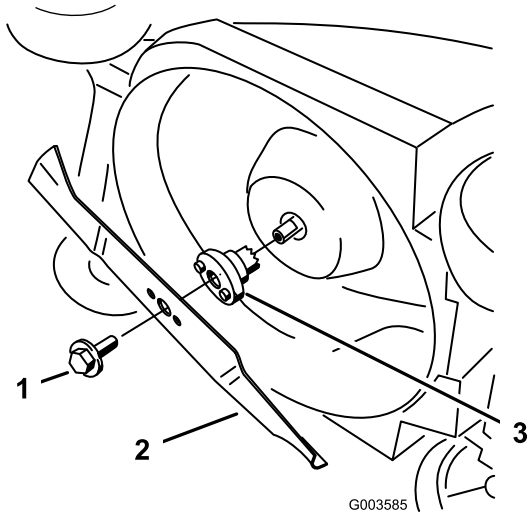
**Kulunut tai vaurioitunut terä voi rikkoutua ja terän pala voi sinkoutua käyttäjää tai ohikulkijaa päin ja aiheuttaa vakavan loukkaantumisen tai kuoleman.**

**Terä on tarkistettava säännöllisesti kulumisen ja vaurioiden varalta ja kulunut tai vaurioitunut terä on vaihdettava.**



## Terän irrotus

1. Tartu terän päähän (Kuva 24) liinan tai paksun hansikkaan avulla.



Kuva 24

1. Teräpultti
2. Puskulevy
3. Teräsovitin

2. Irrota teräpultti ja terä.

**Tärkeää:** Jos teräsovitin irtoaa, asenna se ennen terän ja teräpultin asentamista. Leikkurin käyttäminen ilman teräsovintia vaurioittaa leikkuria.

## Terän teroitus

Teroita terän yläosa viilalla alkuperäisen leikkuukulman säilyttämiseksi.

**Huomaa:** Terä säilyttää tasapainonsa, kun molemmista leikkuusärmistä poistetaan yhtä paljon materiaalia.

**Tärkeää:** Tarkista terän tasapaino asettamalla se terän tasaimen. Edullisia tasaimia on saatavana rautakaupoissa. Tasapainossa oleva terä pysyy vaaka-asennossa. Tasapainoton terä kallistuu raskaasta puolta päin. Jos terä ei ole tasapainossa, viilaa sen leikkuusärmää enemmän terän raskaasta päästä.

## Puskulevyn asennus

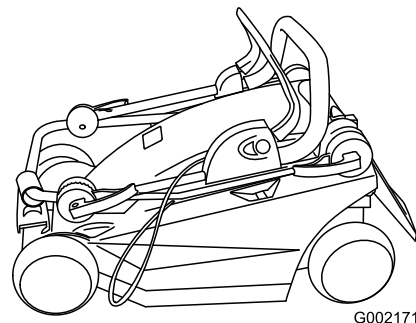
Asenna terävä, tasapainotettu terä ja teräpultti. Terän siipiosan on osoitettava ylöspäin leikkuukotelon yläosaa kohti, jotta asennus on oikein. Kiristä terän kiinnityspultti momenttiin 15 Nm.

## Käynnistys-/sammutusjärjestelmän ja teräjarrujärjestelmän huolto

Moottori ja terä on suunniteltu pysähtymään kolmen sekunnin sisällä ohjaustangon vapauttamisesta. Varmista, että ohjaustanko toimii oikein aina ennen leikkurin käyttöä. Jos terä ei pysähdy kolmen sekunnin kuluessa tai jos ohjaustangon vapauttamisen yhteydessä kuuluu hankaava tai raapiva metallinen ääni, ota yhteys valtuutettuun Toro-huoltoliikkeeseen. Noudata samaa suositusta myös, jos havaitset voimakasta värinää käyttäessäsi ruohonleikkuria.

## Varastointi

Varastoi leikkuri viileään, puhtaaseen ja kuivaan paikkaan pois lasten ulottuvilta. Peitä leikkuri, jotta se pysyy puhtaana ja suojaassa.



Kuva 25

1. Puhdista leikkuukotelo.
2. Tarkista terän kunto.

# Vianetsintä

Ongelma	Mahdollinen syy	Korjaustoimenpiteet
Moottori ei käynnisty	<ol style="list-style-type: none"><li>1. Jatkojohto ei ole kytkettynä ruohonleikkuriin.</li><li>2. Jatkojohto on vaurioitunut.</li><li>3. Sulake on palanut tai suojakatkaisin on lauennut.</li></ol>	<ol style="list-style-type: none"><li>1. Kytke jatkojohto leikkuriin ja kytke jatkojohdon toinen pää tavalliseen pistorasiaan.</li><li>2. Tarkasta jatkojohto ja vaihda se, jos se on vaurioitunut.</li><li>3. Tarkasta pistorasian sulake tai suojakatkaisin.</li></ol>
Moottori käynnistyy huonosti tai menettää tehoa	<ol style="list-style-type: none"><li>1. Leikkurin heittosuppilo on tukossa.</li><li>2. Leikkuukotelon alapuoli on puhdistettava.</li><li>3. Leikkuukorkeus on asetettu liian matalaksi.</li></ol>	<ol style="list-style-type: none"><li>1. Puhdista leikkurin heittosuppilo.</li><li>2. Puhdista leikkuukotelon alapuoli.</li><li>3. Aseta leikkurin leikkuukorkeus korkeammaksi ja käynnistä moottori uudestaan.</li></ol>
Leikkuri tai sen moottori tärisee liikaa	<ol style="list-style-type: none"><li>1. Terä ei ole tasapainossa.</li><li>2. Terän kiinnityspultti on löysällä.</li><li>3. Leikkurin heittosuppilo on tukossa.</li><li>4. Leikkuukotelon alapuoli on puhdistettava.</li><li>5. Moottorin kiinnityspultit ovat löysällä.</li></ol>	<ol style="list-style-type: none"><li>1. Tasapainota terä.</li><li>2. Kiristä terän kiinnityspultti.</li><li>3. Puhdista leikkurin heittosuppilo.</li><li>4. Puhdista leikkurilavan alapuoli.</li><li>5. Kiristä moottorin kiinnityspultit.</li></ol>
Epätasainen leikkuujälki	<ol style="list-style-type: none"><li>1. Terä on tylsä ja epätasapainossa.</li><li>2. Leikkaat aina samansuuntaisesti.</li><li>3. Leikkuukotelon alapuoli on puhdistettava.</li></ol>	<ol style="list-style-type: none"><li>1. Teroita ja tasapainota terä.</li><li>2. Vaihda leikkuusuuntaa.</li><li>3. Puhdista leikkurilavan alapuoli.</li></ol>
Heittosuppilo tukkeutuu	<ol style="list-style-type: none"><li>1. Leikkuukorkeus on asetettu liian matalaksi.</li><li>2. Yrität leikata märkää ruohoa.</li><li>3. Leikkuukotelon alapuoli on puhdistettava.</li></ol>	<ol style="list-style-type: none"><li>1. Nosta leikkuukorkeutta.</li><li>2. Anna ruohon kuivua ennen leikkaamista.</li><li>3. Puhdista leikkurilavan alapuoli.</li></ol>

## International Distributor List—Consumer Products

<b>Distributor:</b>	<b>Country:</b>	<b>Phone Number:</b>
Atlantis Su ve Sulama Sistemleri Lt	Turkey	90 216 344 86 74
Balama Prima Engineering Equip	Hong Kong	852 2155 2163
B-Ray Corporation	Korea	82 32 551 2076
Casco Sales Company	Puerto Rico	787 788 8383
Ceres S.A	Costa Rica	506 239 1138
CSSC Turf Equipment (pvt) Ltd	Sri Lanka	94 11 2746100
Cyril Johnston & Co	Nothern Ireland	44 2890 813 121
Equivier	Mexico	52 55 539 95444
Femco S.A.	Guatemala	502 442 3277
G.Y.K. Company Ltd.	Japan	81 726 325 861
Geomechaniki of Athens	Greece	30 10 935 0054
Guandong Golden Star	China	86 20 876 51338
Hako Gorund and Garden	Sweden	46 35 10 0000
Hydroturf Int. Co	Dubai United Arab Emirates	97 14 347 9479
Hydroturf Egypt LLC	Egypt	202 519 4308
Ibea S.p.A.	Italy	39 0331 853611
Irriamc	Portugal	351 21 238 8260
Jean Heybroek b.v.	Netherlands	31 30 639 4611
Lely (U.K. ) Limited	United Kingdom	44 1480 226 800
Maquiver S.A.	Colombia	57 1 236 4079
Maruyama Mfg. Co. Inc.	Japan	81 3 3252 2285
Metra Kft	Hungary	36 1 326 3880
Mountfield a.s.	Czech Republic	420 255 704 220
Munditol S.A.	Argentina	54 11 4 821 9999
Oslinger Turf Equipment SA	Ecuador	593 4 239 6970
Oy Hako Ground and Garden Ab	Finland	358 987 00733
Parkland Products Ltd	New Zealand	64 3 34 93760
Prochaska & Cie	Austria	43 1 278 5100
RT Cohen 2004 Ltd	Israel	972 986 17979
Riversa	Spain	34 9 52 83 7500
Roth Motorgerate GmBh & Co	Germany	49 7144 2050
Sc Svend Carlsen A/S	Denmark	45 66 109 200
Solvert S.A.S	France	33 1 30 81 77 00
Spypros Stavrinides Limited	Cyprus	357 22 434131
Surge Systems India Limited	India	91 1 292299901
T-Markt Logistics Ltd	Hungary	36 26 525 500
Toro Australia	Australia	61 3 9580 7355
Toro Europe BVBA	Belgium	32 14 562 960

### Ehdot ja takuunalaiset tuotteet

The Toro® Company ja sen sisaryhtiö Toro Warranty Company antavat yhdessä keskinäisen sopimuksensa mukaisesti alkuperäiselle ostajalle\* takuun korjata normaalissa kotikäytössä\* käytetyn Toro-tuotteen, jos siinä ilmenee materiaali- ja valmistusvikoja. Tuotteille annetaan seuraavat takuuaajat alkuperäisestä ostopäivästä lukien:

#### Tuotteet

Työnnettävät ruohonleikkurit  
Takamoottoriset ajoleikkurit  
Ajoleikkurit ja puutarhatraktorit  
Sähkökäyttöiset kannettavat laitteet  
Lumilingot  
Paikallaan kääntyvät kuluttajalaitteet

#### Takuuaika

Kahden vuoden rajoitettu takuu  
Kahden vuoden rajoitettu takuu  
Kahden vuoden rajoitettu takuu  
Kahden vuoden rajoitettu takuu  
Kahden vuoden rajoitettu takuu  
Kahden vuoden rajoitettu takuu

\* "Alkuperäinen ostaja" on henkilö, joka alun perin osti Toro-tuotteen.

\* "Normaali kotikäyttö" tarkoittaa tuotteen käyttöä samalla tontilla, missä kotisi sijaitsee. Käyttöä useammassa kuin yhdessä paikassa pidetään kaupallisena käyttönä, johon sovelletaan kaupalliseen käyttöön annettua takuuta.

### Rajoitettu takuu – kaupallinen käyttö

Toro Kuluttajakäyttöön tarkoitetuille laitteille ja lisälaitteille, joita käytetään kaupallisesti, laitoksissa tai vuokralustona, annetaan materiaali- ja valmistusvirhetakuu seuraaviksi ajanjaksoiksi alkuperäisestä ostopäivästä lukien:

#### Tuotteet

Työnnettävät ruohonleikkurit  
Takamoottoriset ajoleikkurit  
Ajoleikkurit ja puutarhatraktorit  
Sähkökäyttöiset kannettavat laitteet  
Lumilingot  
Paikallaan kääntyvät kuluttajalaitteet

#### Takuuaika

90 päivän takuu  
90 päivän takuu  
90 päivän takuu  
90 päivän takuu  
90 päivän takuu  
45 päivän takuu

### Takuuhuollon ohjeet

Jos uskot, että Toro-tuotteessasi on materiaali- tai valmistusvirhe, toimi seuraavasti:

- Ota yhteys tuotteen myyjään huollon järjestämiseksi. Jos et voi jostain syystä ottaa yhteyttä tuotteen myyjään, ota yhteys mihin tahansa valtuutettuun Toro-jälleenmyyjään.
- Vie laite ja ostotodistus (ostokuitti) laitteen myyjälle tai huoltoliikkeeseen. Jos et ole tyytyväinen huoltoliikkeen arvioon tai saamaasi palveluun, ota yhteys Toro-maahantuojaan tai suoraan Toroon:

Customer Care Department, Consumer Division  
Toro Warranty Company  
8111 Lyndale Avenue South  
Bloomington, MN 55420-1196  
Päällikkö: Tekninen tuotetuki: 001-952-887-8248

Katso oheinen jakelijaluettelo

### Omistajan vastuut

Toro-laitetta on huollettava käyttöoppaan huolto-ohjeiden mukaisesti. Tällaisen kunnossapidon kustannuksista vastaa omistaja huollon suorittajasta riippumatta.

### Takuun ulkopuoliset kohteet ja viat

Tämä takuu ei kata seuraavia:

- Määräaikaishuolto tai varaosat (esim. suodattimet, polttoaine, voiteluaineet, viritysosat, terien teroitus, jarrujen ja kytkinten säätö).
- Laitteet tai osat, joita on muutettu tai käytetty väärin, tai jotka on jouduttu vaihtamaan tai korjaamaan normaalin kulumisen, onnettomuuksien tai asianmukaisen huollon laiminlyönnin vuoksi.
- Korjauksia, jotka johtuvat sopimattomasta polttoaineesta, polttoainejärjestelmän epäpuhtauksista tai, jos laitetta ei ole käytetty kolmeen kuukauteen, polttoainejärjestelmän asianmukaisen valmistelun laiminlyönnistä.
- Moottori ja vaihteisto. Niihin sovelletaan asianmukaisten valmistajan takuita ja niiden erillisiä takuehtoja.

Kaikki tämän takuun piiriin kuuluvat korjaukset on suoritettava valtuutetussa Toro-huoltoliikkeessä, ja niissä saa käyttää vain Toron hyväksymiä varaosia.

### Yleiset ehdot

Ostajaa suojaavat maakohtaiset lait. Tämä takuu ei rajoita ostajan lakisääteisiä oikeuksia.



# Tondeuses électriques Eurocycler™ de 34 cm et 41 cm

N° de modèle 21080—N° de série 270A00001 et suivants

N° de modèle 21081—N° de série 270B00001 et suivants

N° de modèle 21082—N° de série 270C00001 et suivants

N° de modèle 21090—N° de série 270D00001 et suivants

N° de modèle 21091—N° de série 270E00001 et suivants

N° de modèle 21092—N° de série 270F00001 et suivants

Manuel de l'utilisateur

## Table des matières

Introduction.....	1
Sécurité .....	1
Consignes de sécurité .....	2
Pression acoustique .....	2
Puissance acoustique .....	3
Vibrations au niveau des mains et des bras .....	3
.....	3
Mise au rebut des équipements électrique/électroniques (WEEE).....	3
Autocollants de sécurité et d'instruction .....	3
Mise en service.....	3
1.Dépliage du guidon.....	3
2.Assemblage du bac à herbe.....	4
Vue d'ensemble du produit .....	5
Caractéristiques techniques.....	5
Utilisation.....	6
Fixation de la rallonge.....	6
Préparer le parcours de la tondeuse .....	6
Démarrage du moteur .....	6
Arrêt du moteur .....	7
Réglage de la hauteur de coupe.....	7
Ramassage de l'herbe coupée .....	7
Conseils pour la tonte .....	8
Entretien.....	9
Appareils à double isolation .....	9
Nettoyage du carter de la tondeuse .....	9
Entretien de la lame.....	9
Entretien du système marche/arrêt et de freinage de la lame .....	10
Remisage.....	10
Dépistage des défauts .....	11

## Introduction

Cette tondeuse est exclusivement conçue à l'usage des particuliers. Elle ne doit pas être utilisée à des fins commerciales sur un terrain public.

Vous avez choisi une tondeuse électrique Toro à usage privé, et nous vous en remercions. Lisez

attentivement ce manuel pour apprendre comment utiliser et entretenir correctement votre tondeuse. Les informations données sont importantes pour éviter des accidents et des dégâts matériels. Toro conçoit et fabrique des produits sûrs, mais c'est à vous qu'incombe la responsabilité de les utiliser correctement, en respectant les consignes de sécurité.

Les règles d'utilisation des tondeuses varient selon votre lieu de résidence. Consultez les autorités locales concernant la réglementation et les restrictions relatives aux heures légales d'utilisation des tondeuses.

## Sécurité

Lisez et assimilez le contenu de ce guide avant de démarrer le moteur.

**▲Voici le triangle de sécurité. Il signale les dangers potentiels susceptibles de causer des blessures. Respectez tous les messages de sécurité qui suivent ce symbole pour éviter des accidents, potentiellement mortels.**

**L'usage ou l'entretien incorrect de cette tondeuse peut occasionner des accidents, parfois mortels. Pour réduire les risques, respectez les consignes de sécurité suivantes.**



**Pour réduire le risque d'incendie, d'électrocution ou de blessures corporelles, respectez toujours ces consignes de sécurité quand vous utilisez la tondeuse.**

Les informations de sécurité suivantes sont adaptées des normes européennes EN 836:1997 et CEI/IEC 60335-77:2001.

# Consignes de sécurité

## Informations générales

- Lisez attentivement les instructions. Familiarisez-vous avec les commandes et l'utilisation de l'équipement.
- Ne laissez jamais des enfants, ou des adultes n'ayant pas pris connaissance de ces instructions, utiliser la tondeuse. Certaines législations imposent un âge minimum pour l'utilisation de ce type d'engin.
- Ne tondez jamais lorsque des personnes, et surtout des enfants ou des animaux familiers, se trouvent à proximité.
- L'utilisateur est responsable des accidents et dommages causés aux autres personnes et à leurs possessions.

## Préparation

- Portez toujours un pantalon et des chaussures solides pour travailler. Ne tondez pas pieds nus ou en sandales.
- Inspectez soigneusement la zone à tondre et enlevez tout objet susceptible d'être projeté par la machine.
- Avant d'utiliser la tondeuse, vérifiez toujours si la lame, le boulon de la lame et l'ensemble de coupe ne sont pas usés ou endommagés. Remplacez toujours les boulons et la lame usés ou endommagés en même temps pour ne pas modifier l'équilibre.
- Toro préconise d'équiper la machine d'un dispositif différentiel à courant résiduel (RCD) avec un courant de déclenchement maximum de 30 mA.
- Utilisez uniquement une rallonge pour usage extérieur de 1 mm<sup>2</sup> de diamètre et de 30 m maximum de longueur (le cas échéant).

## Consignes d'utilisation

- Tondez uniquement à la lumière du jour ou avec un bon éclairage artificiel.
- Dans la mesure du possible, n'utilisez pas la machine dans l'herbe humide.
- Sur les terrains en pente, faites particulièrement attention de ne pas glisser.
- Marchez, ne courez pas.
- Pour les tondeuses rotatives sur roues, tondez transversalement à la pente, jamais en montant ou en descendant.
- Soyez extrêmement prudent lorsque vous changez de direction sur un terrain en pente.
- Ne tondez pas de pentes trop raides.
- Soyez extrêmement prudent en marche arrière ou quand vous tirez la tondeuse vers vous.

- Arrêtez la tondeuse pour la déplacer d'une zone de coupe à une autre. Arrêtez la lame chaque fois que la tondeuse quitte la pelouse.
- N'utilisez jamais une tondeuse dont les capots ou l'équipement de sécurité (par ex. déflecteurs et/ou bacs à herbe) ne sont pas en place.
- Mettez le moteur en marche prudemment en vous conformant aux instructions et en évitant d'approcher les pieds de la lame.
- N'inclinez pas la tondeuse lors de la mise en marche du moteur, sauf si cela est nécessaire pour démarrer. Dans ce cas, ne la relevez pas plus qu'il n'est indispensable, et ne relevez que la partie éloignée de l'utilisateur. Placez toujours les deux mains en position de conduite avant de reposer la machine sur le sol.
- N'approchez pas les mains ou les pieds des pièces en rotation. Ne vous tenez jamais devant l'ouverture d'éjection.
- Ne soulevez et ne portez jamais une tondeuse dont le moteur tourne.
- Débranchez le câble d'alimentation de la prise :
  - avant de quitter la tondeuse.
  - avant de dégager des obstructions ou d'enlever des matériaux dans l'éjecteur.
  - avant tout contrôle, tout nettoyage ou toute intervention sur la tondeuse.
  - après avoir heurté un obstacle. Recherchez et réparez les dégâts éventuels de la tondeuse avant de la remettre en marche et de l'utiliser.
  - si la tondeuse se met à vibrer de manière inhabituelle (contrôlez immédiatement).

## Entretien et remisage

- Gardez tous les écrous, boulons et vis toujours bien serrés pour être sûr de pouvoir utiliser la tondeuse sans danger.
- Vérifiez fréquemment l'état et l'usure du bac à herbe.
- Remplacez les pièces usées ou endommagées pour éviter les accidents.
- Utilisez toujours une lame de rechange du type correct.
- N'achetez que des pièces et des accessoires Toro d'origine.

## Pression acoustique

Cette machine produit au niveau de l'oreille de l'utilisateur une pression acoustique maximale de 83 dBA, d'après des mesures effectuées sur des machines identiques selon la norme EN 11201.


## Puissance acoustique

Cette machine a un niveau de puissance acoustique garanti de 96 dBA, d'après des mesures effectuées sur des machines identiques selon les spécifications de la norme EN 11094.

## Vibrations au niveau des mains et des bras

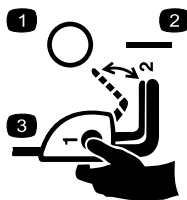
Cette machine expose les mains et les bras à un niveau de vibrations maximum de 4,8 m/s<sup>2</sup>, d'après des mesures effectuées sur des machines identiques selon la norme EN 836.

## Mise au rebut des équipements électrique/électroniques (WEEE)

	<ul style="list-style-type: none"><li>• La directive UE 2002/96/CE place ce produit dans la catégorie outil électrique ou électronique.</li><li>• Ne jetez <b>pas</b> cet outil dans une décharge municipale en vrac.</li><li>• Mettez cet outil au rebut dans un centre de collecte ou de recyclage en conformité avec la réglementation locale et nationale.</li><li>• Le consommateur joue un rôle important dans la réduction du volume de déchets à éliminer s'il prend la peine de renvoyer les outils électroniques/électriques dans un lieu de recyclage.</li><li>• Le recyclage évite la dispersion de matériaux dangereux dans le flux de déchets municipaux.</li><li>• Le symbole de la poubelle barrée d'une croix rappelle à l'utilisateur qu'il ne doit pas se débarrasser du produit dans une décharge municipale en vrac.</li></ul>
---	---

## Autocollants de sécurité et d'instruction

**Important:** Les autocollants de sécurité et d'instruction sont placés près des endroits potentiellement dangereux. Remplacez les autocollants endommagés ou manquants.



110-1168

1. Arrêt
2. Marche
3. Pour engager la tondeuse, appuyez sur le bouton tout en tirant la barre de commande vers vous.



110-8417

1. Attention – lisez le *Manuel de l'utilisateur*.
2. Risque de projections – tenez les spectateurs à bonne distance de la machine.
3. Attention, ne touchez pas la lame en rotation ! Débranchez le cordon d'alimentation et lisez les instructions avant d'effectuer des entretiens ou des révisions.
4. Risque d'électrocution – protégez la machine de la pluie et de l'humidité en général.
5. Risque électrique par sectionnement du câble d'alimentation — ne faites pas passer la machine sur le câble d'alimentation.

## Mise en service

**Remarque:** Ne branchez pas la tondeuse à une source d'alimentation avant de l'avoir assemblée complètement.

### 1. Dépliage du guidon

#### Procédure

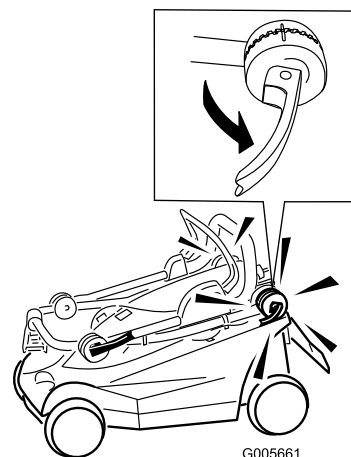


Figure 1

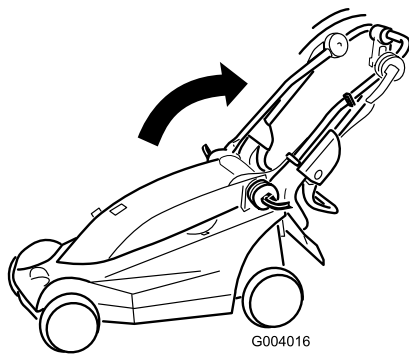


Figure 2

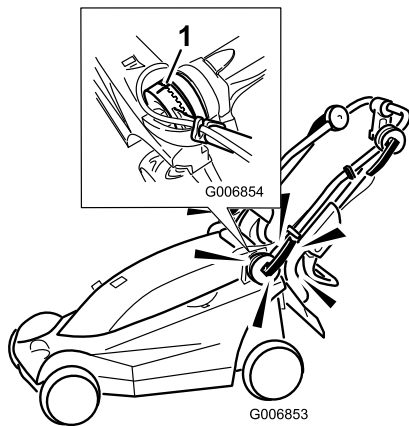


Figure 3

1. Alignez les repères

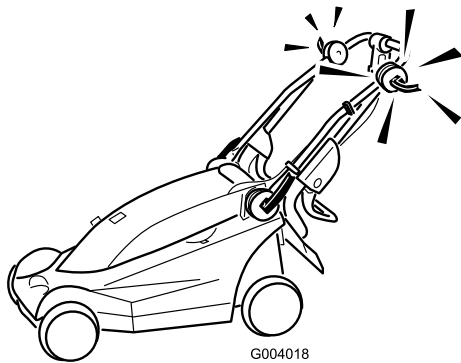


Figure 4

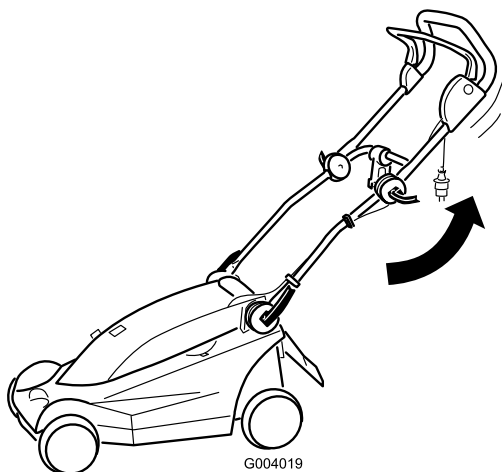


Figure 5

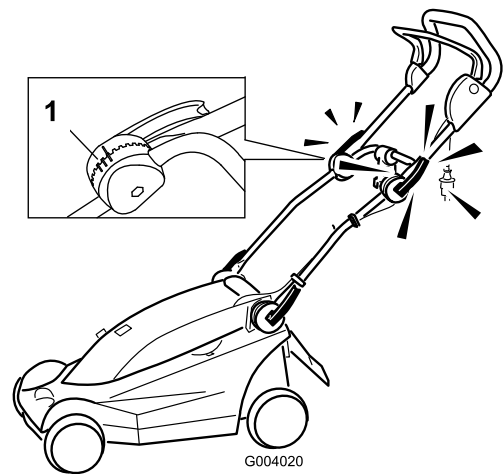


Figure 6

1. Repères de position du guidon

**Remarque:** La partie supérieure du guidon peut être réglée à 3 positions différentes. Alignez le repère sur l'un des 3 repères à l'intérieur du verrou de la partie supérieure du guidon (Figure 6).

## 2. Assemblage du bac à herbe

### Procédure

**Important:** Suivez la procédure ci-dessous dans l'ordre indiqué.

1. Insérez le côté dans les verrous de la partie supérieure (Figure 7).

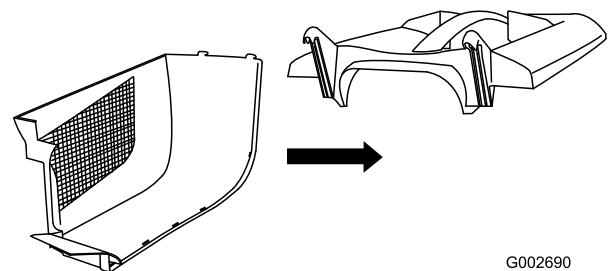


Figure 7

2. Insérez l'autre côté dans les verrous de la partie supérieure et verrouillez l'arrière des 2 côtés (Figure 8).



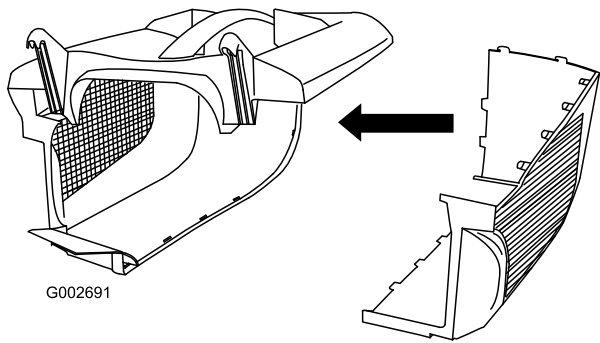


Figure 8

3. En commençant à l'arrière, alignez et poussez ensemble les derniers verrous latéraux (Figure 9).

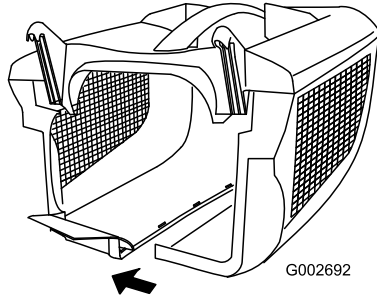


Figure 9

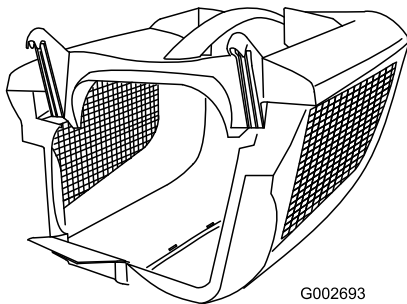


Figure 10

## Vue d'ensemble du produit

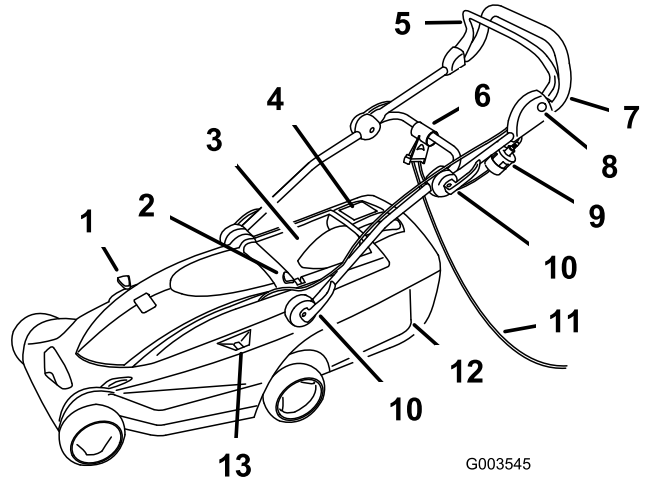


Figure 11

- |  |                                       |
|--|---------------------------------------|
| 1. Levier de recyclage/ramassage                 | 8. Bouton                             |
| 2. Bouton de réglage de la hauteur de coupe      | 9. Prise                              |
| 3. Volet arrière                                 | 10. Verrous du guidon (4)             |
| 4. Indicateur de remplissage du bac à herbe      | 11. Rallonge électrique (non fournie) |
| 5. Barre de commande                             | 12. Bac à herbe                       |
| 6. Dispositif de blocage du câble d'alimentation | 13. Indication de hauteur de coupe    |
| 7. Guidon  |                                       |

## Caractéristiques techniques

Modèle	21080	21081	21082	21090	21091	21092
Masse	16 kg	17 kg	16 kg	19 kg	20 kg	19 kg
Longueur	137 cm	137 cm	137 cm	145 cm	145 cm	145 cm
Largeur	39 cm	39 cm	39 cm	45 cm	45 cm	45 cm
Largeur de coupe nominale	34 cm	34 cm	34 cm	41 cm	41 cm	41 cm
Hauteur de coupe nominale	20 à 75 mm	20 à 75 mm	20 à 75 mm	20 à 75 mm	20 à 75 mm	20 à 75 mm
Capacité du bac à herbe	32 l	32 l	32 l	40 l	40 l	40 l
Régime moteur nominal	3000 tr/min	3000 tr/min	3000 tr/min	3000 tr/min	3000 tr/min	3000 tr/min
Tensions et fréquences	230 V / 50 Hz	230 V / 50 Hz	230 V / 50 Hz	230 V / 50 Hz	230 V / 50 Hz	230 V / 50 Hz
Alimentation	1,2 kW	1,2 kW	1,2 kW	1,2 kW	1,2 kW	1,2 kW

# Utilisation

## Fixation de la rallonge

**Remarque:** Cette procédure doit être utilisée pour les tondeuses pour lesquelles une rallonge est nécessaire.

Utilisez uniquement une rallonge prévue pour l'extérieur.



Un contact avec l'eau pendant l'utilisation de la tondeuse peut causer des blessures ou la mort par électrocution.

- Ne manipulez pas la tondeuse ou le connecteur si vous avez les mains mouillées ou les pieds dans l'eau.
- Utilisez uniquement une rallonge agréée prévue pour l'utilisation à l'extérieur à basse température.

1. Faites une boucle avec le fil de la rallonge et accrochez-la dans le dispositif de blocage (Figure 12).

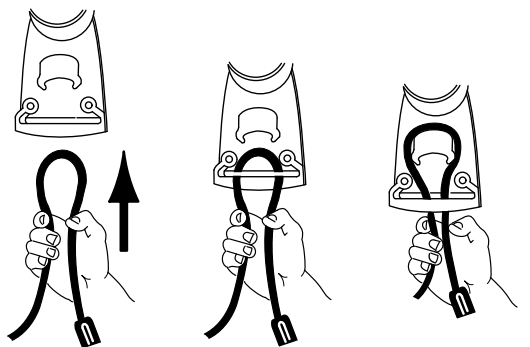


Figure 12

G002648

2. Branchez la rallonge à la prise de la tondeuse (Figure 13).

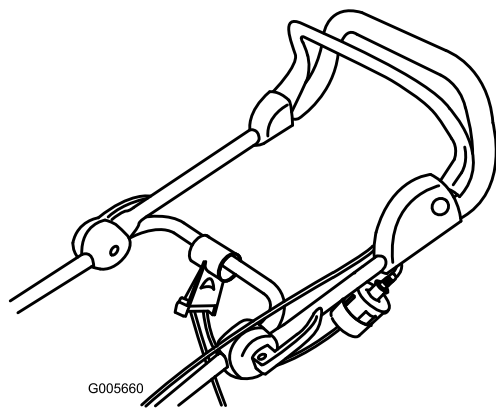


Figure 13

G005660

**Remarque:** Ne débranchez pas la rallonge en tirant sur le fil, mais en tenant la prise.



La rallonge pourrait être endommagée et électrocuter quelqu'un ou causer un incendie.

Examinez soigneusement la rallonge avant d'utiliser la tondeuse. Si la rallonge est endommagée, n'utilisez pas la tondeuse. Si le câble d'alimentation est endommagé, faites-le remplacer ou réparer immédiatement par un réparateur Toro agréé.

## Préparer le parcours de la tondeuse

En suivant le parcours suggéré, vous réduisez le risque de passer sur le câble d'alimentation de la tondeuse et vous n'usez pas inutilement le câble. Evitez d'enrouler le câble autour de troncs d'arbre, de buissons ou d'autres obstacles.

Commencez à tondre près de la source d'alimentation électrique. Adoptez un mouvement de va-et-vient et tondez en vous éloignant graduellement de la source d'alimentation (Figure 14).

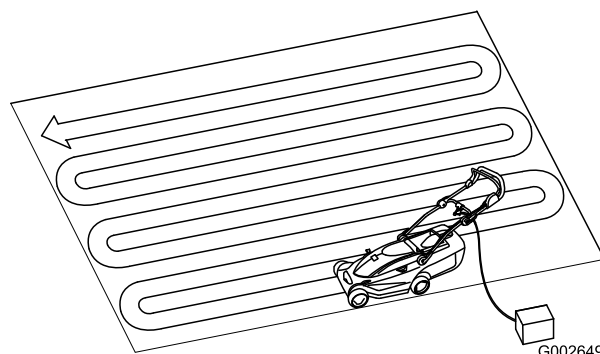


Figure 14

G002649

## Démarrage du moteur

1. Connectez la rallonge à la tondeuse (le cas échéant).
2. Branchez l'autre extrémité du câble à une prise secteur ordinaire.
3. Appuyez de façon continue sur le bouton du côté gauche du guidon (Figure 15).

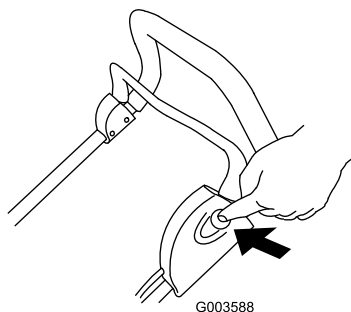


Figure 15

4. Sans relâcher le bouton, rapprochez la barre de commande du guidon (Figure 16).

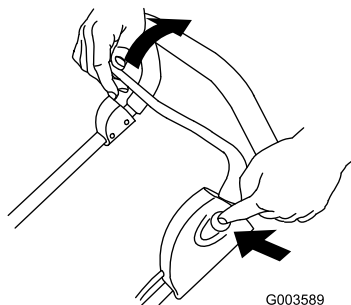


Figure 16

5. Serrez la barre de commande contre le guidon et relâchez le bouton (Figure 17).

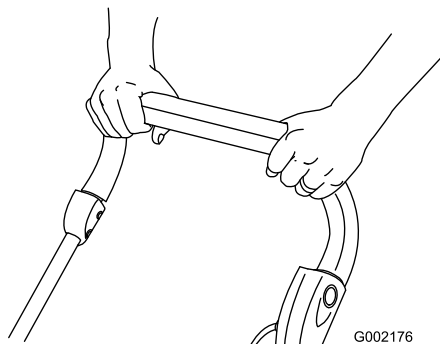


Figure 17

## Arrêt du moteur

1. Relâchez la barre de commande (Figure 18).

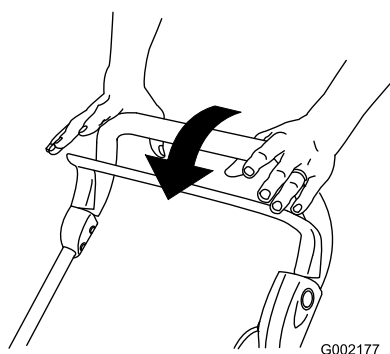


Figure 18

2. Débranchez le câble de la source d'alimentation si vous laissez la tondeuse sans surveillance.

## Réglage de la hauteur de coupe

La tondeuse dispose de 6 réglages de hauteur de coupe (toutes les hauteurs sont approximatives): A=20 mm, B=31 mm, C=42 mm, D=53 mm, E=64 mm et F=75 mm.



**Lors du réglage des leviers de hauteur de coupe, vous risquez de vous blesser gravement si vos mains ou vos pieds touchent la lame en mouvement.**

**Arrêtez le moteur et attendez l'arrêt de toutes les pièces en mouvement avant de changer la hauteur de coupe.**

1. Arrêtez le moteur et attendez l'arrêt de toutes les pièces mobiles.
2. Appuyez sur le bouton de réglage de la hauteur de coupe avec le pouce, et poussez ou tirez la poignée de hauteur de coupe à la position de réglage voulue selon l'indication de hauteur de coupe (Figure 19).

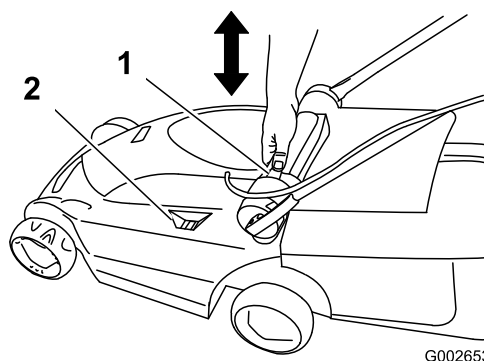


Figure 19

1. Bouton de réglage de la hauteur de coupe
  2. Indication de hauteur de coupe
3. Relâchez le bouton de réglage de la hauteur de coupe.

## Ramassage de l'herbe coupée

Installez le bac à herbe pour ramasser les déchets d'herbe.

1. Soulevez le volet arrière et montez le bac à herbe sur la tondeuse (Figure 20).

## Conseils pour la tonte

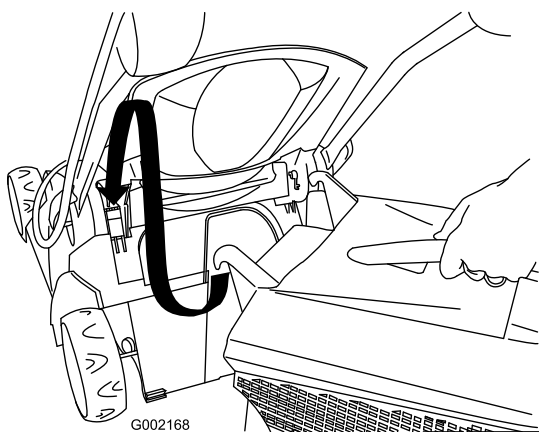


Figure 20



Figure 23

2. Relâchez le volet arrière.
3. Placez le levier de recyclage/ramassage en mode ramassage (Figure 21).

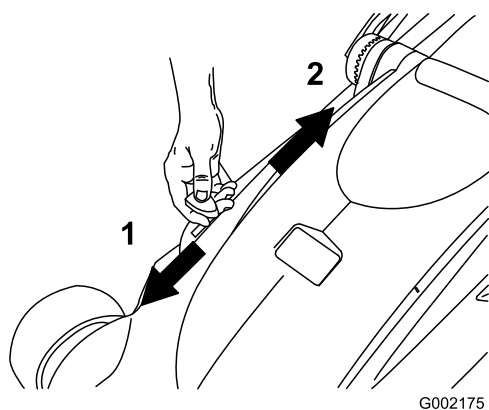


Figure 21

1. Mode ramassage
2. Mode recyclage (mulching)
3. Levier de recyclage/ramassage

4. Tondez avec le bac à herbe monté sur la machine jusqu'à ce que l'indicateur montre qu'il est plein (Figure 22).

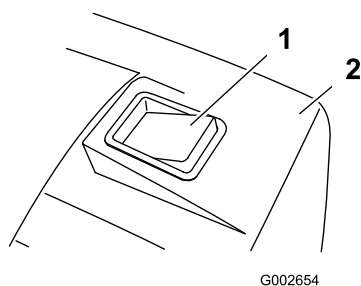


Figure 22

1. Indicateur du bac à herbe (bac plein)
2. Bac à herbe

5. Retirez le bac à herbe de la tondeuse et videz-le.

**Remarque:** Pour passer du mode ramassage au mode recyclage, placez le levier de sélection en position recyclage (Figure 21) et enlevez le bac à herbe.

Afin d'obtenir des résultats optimaux, suivez ces instructions pour tondre l'herbe.

- Maintenez la lame **bien affûtée** tout au long de la saison de tonte.
- **Tondez uniquement l'herbe sèche.** L'herbe humide a tendance à s'agglomérer sur la pelouse et risque d'obstruer la tondeuse et de faire caler le moteur. Elle peut aussi être glissante sous les pieds et vous faire déraiper et tomber.
- Lorsque vous tondez, empiétez chaque fois d'environ 4 cm sur la bande tondu précédemment.
- Si l'herbe est très haute, il est parfois nécessaire d'effectuer un premier passage à la hauteur de coupe maximale et à vitesse réduite, puis un second passage à une hauteur de coupe plus basse pour obtenir de meilleurs résultats.
- Si l'aspect de la pelouse tondu n'est pas satisfaisant, essayez une ou plusieurs des solutions suivantes :
  - Aiguissez la lame.
  - Tondez en avançant plus lentement.
  - Utilisez une hauteur de coupe plus élevée.
  - Tondez plus souvent.
  - Empiétez sur les passages précédents pour ne tondre qu'une largeur de bande réduite.

# Entretien


Toro a conçu ce produit pour vous offrir des années de bons et loyaux services. Lorsqu'un entretien est requis, confiez l'appareil à un réparateur Toro agréé.



**Lorsque la tondeuse est branchée sur le secteur, elle est en état de fonctionnement. Quelqu'un pourrait la mettre en marche par inadvertance et vous blesser gravement ou blesser des personnes à proximité.**

**Débranchez toujours le câble de la source d'alimentation si vous laissez la tondeuse sans surveillance.**

## Appareils à double isolation

Ce type d'appareil dispose de deux systèmes d'isolation au lieu d'une mise à la masse. Aucun dispositif de mise à la masse n'est prévu sur un appareil à double isolation et aucun ne doit lui être ajouté. L'entretien d'un appareil à double isolation est délicat et exige de bien connaître le système. Pour cette raison, n'en confiez l'entretien qu'au personnel qualifié de votre réparateur Toro agréé. Les pièces de rechange d'un appareil à double isolation doivent être identiques aux pièces d'origine. Les appareils à double isolation portent les mots "Double isolation" ou "Doublement isolé" ("Double Insulation" ou "Double Insulated"). Le symbole (un carré entouré d'un carré)  est parfois utilisé également.

## Nettoyage du carter de la tondeuse

Nettoyez le carter de la tondeuse après chaque utilisation.

Avant de nettoyer la tondeuse, arrêtez le moteur, attendez l'arrêt de toute les pièces en mouvement et débranchez le câble de la source d'alimentation.

**Important: Ne nettoyez pas la tondeuse à l'eau. De l'humidité pourrait subsister à l'intérieur et entraîner la corrosion des pièces internes.**

- Nettoyez le dessous du carter de la tondeuse. Enlevez les saletés et les débris d'herbe collés au carter de la tondeuse à l'aide d'un racloir en bois.
- Enlevez les débris des événements du carter en haut de la tondeuse.
- Enlevez tous les débris du carter de la tondeuse avec une brosse.
- Vérifiez si la prise d'alimentation semble avoir fondu ou surchauffé. Les rallonges usagées

qui s'adaptent mal dans la prise peuvent causer une surchauffe en raison d'un mauvais contact. Remplacez immédiatement les rallonges endommagées (le cas échéant).

## Entretien de la lame

Gardez toujours la lame bien affûtée. Elle coupera l'herbe de manière uniforme, sans arracher ni déchiqueter les brins.

Si la lame doit être remplacée, utilisez toujours une lame Toro d'origine.



**Quelqu'un pourrait mettre le moteur en marche par inadvertance et vous blesser gravement ou blesser des personnes à proximité.**

**N'essayez pas d'examiner, de déposer ou de remplacer la lame avant d'avoir débranché la tondeuse de la source d'alimentation.**

1. Arrêtez le moteur et attendez l'arrêt de toutes les pièces mobiles.
2. Débranchez la tondeuse de la source d'alimentation électrique.
3. Basculez la tondeuse sur le côté.
4. Vérifiez soigneusement l'affûtage et l'usure de la lame, surtout au point de rencontre des parties planes et incurvées. Remplacez la lame si elle vous semble usée.

**Remarque:** Pour de meilleurs résultats, montez une lame neuve au début de la saison de tonte. En cours de saison, limez les petites ébréchures de la lame pour conserver le tranchant.



**Une lame usée ou endommagée risque de se briser et de projeter le morceau cassé vers l'utilisateur ou les personnes à proximité, et de causer des blessures graves ou mortelles.**

**Examinez régulièrement la lame et remplacez-la si elle est usée ou endommagée.**

## Dépose de la lame

1. Tenez la lame à son extrémité (Figure 24) avec un chiffon ou un gant épais.

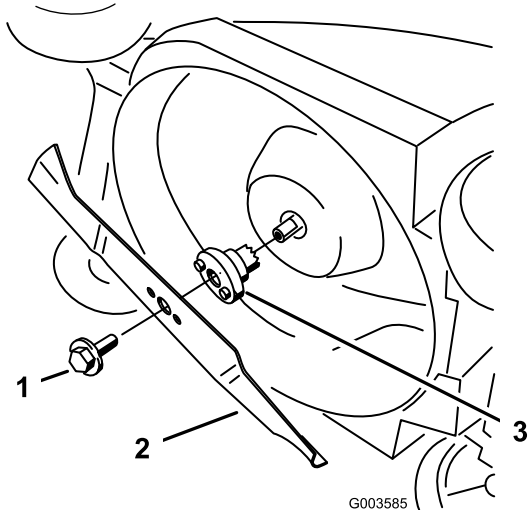


Figure 24

1. Boulon de lame
2. Lame
3. Adaptateur de lame

2. Retirez le boulon et la lame.

**Important:** Si l'adaptateur de lame se détache, n'oubliez pas de le remettre en place avant de monter la lame et le boulon. La tondeuse risque de subir des dommages si l'adaptateur n'est pas en place.

## Aiguisage de la lame

Limez le dessus de la lame et conservez l'angle de coupe d'origine.

**Remarque:** Limez la même quantité de métal sur les deux tranchants pour ne pas déséquilibrer la lame.

**Important:** Vérifiez l'équilibre de la lame en la plaçant sur un équilibreur. Vous pouvez vous procurer un équilibreur à peu de frais dans n'importe quelle quincaillerie. Une lame équilibrée reste horizontale, tandis qu'une lame déséquilibrée penche du côté le plus lourd. Si la lame n'est pas équilibrée, limez davantage le tranchant du côté le plus lourd.

## Pose de la lame

Montez une lame bien affûtée et équilibrée, et fixez-la avec le boulon. La partie incurvée de la lame doit être dirigée vers le haut du carter de tondeuse pour que l'installation soit correcte. Serrez le boulon de la lame à 15 Nm.

## Entretien du système marche/arrêt et de freinage de la lame

Le moteur et la lame sont conçus pour s'arrêter dans les 3 secondes suivant le relâchement de la barre de commande. Vérifiez le fonctionnement de la barre de commande avant chaque utilisation de la tondeuse. Si la lame ne s'arrête pas en 3 secondes ou si vous entendez un grincement ou un frottement de métal quand vous relâchez la lame de commande, contactez un réparateur Toro agréé. Cette recommandation est également valable si la tondeuse vibre fortement pendant l'utilisation.

## Remisage

Remisez la tondeuse dans un local frais, propre et sec, et hors de portée des enfants. Couvrez la tondeuse pour la garder propre et la protéger.

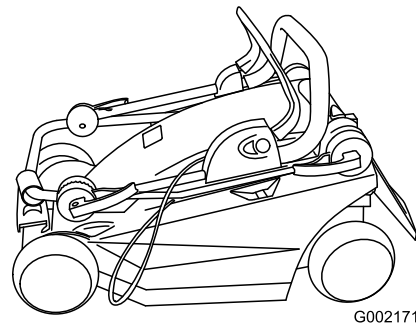


Figure 25

1. Nettoyez le carter de la tondeuse.
2. Vérifiez l'état de la lame

# Dépistage des défauts

Problème	Cause possible	Mesure corrective
Le moteur refuse de démarrer.	<ol style="list-style-type: none"> <li>1. La rallonge n'est pas connectée à la tondeuse.</li> <li>2. La rallonge est endommagée.</li> <li>3. Le fusible ou le coupe-circuit est grillé.</li> </ol>	<ol style="list-style-type: none"> <li>1. Connectez la rallonge à la tondeuse et branchez l'autre extrémité du câble à une prise secteur ordinaire.</li> <li>2. Vérifiez l'état de la rallonge et réparez-la si elle est endommagée.</li> <li>3. Vérifiez le fusible de la prise ou le coupe-circuit.</li> </ol>
Le moteur démarre difficilement ou perd de la puissance.	<ol style="list-style-type: none"> <li>1. L'éjecteur de la tondeuse est bouché.</li> <li>2. Le dessous du carter de la tondeuse est encrassé.</li> <li>3. La hauteur de coupe utilisée est trop basse.</li> </ol>	<ol style="list-style-type: none"> <li>1. Nettoyez l'éjecteur de la tondeuse.</li> <li>2. Nettoyez le dessous du carter de la tondeuse.</li> <li>3. Choisissez une hauteur de coupe supérieure et remettez le moteur en marche.</li> </ol>
La tondeuse ou le moteur vibre excessivement.	<ol style="list-style-type: none"> <li>1. La lame est déséquilibrée.</li> <li>2. Boulon de lame desserré.</li> <li>3. L'éjecteur de la tondeuse est bouché.</li> <li>4. Le dessous du carter de la tondeuse est encrassé.</li> <li>5. Les boulons de fixation du moteur sont desserrés.</li> </ol>	<ol style="list-style-type: none"> <li>1. Équilibrez la lame.</li> <li>2. Serrez le boulon de fixation de lame.</li> <li>3. Nettoyez l'éjecteur de la tondeuse.</li> <li>4. Nettoyez le dessous du carter de la tondeuse.</li> <li>5. Serrez les boulons de fixation du moteur.</li> </ol>
La tonte n'est pas uniforme.	<ol style="list-style-type: none"> <li>1. La lame est émoussée et déséquilibrée.</li> <li>2. Vous tondez en suivant le même parcours chaque fois.</li> <li>3. Le dessous du carter de la tondeuse est encrassé.</li> </ol>	<ol style="list-style-type: none"> <li>1. Affûtez et équilibrez la lame.</li> <li>2. Changez le parcours de la tondeuse.</li> <li>3. Nettoyez le dessous du carter de la tondeuse.</li> </ol>
Obstruction de l'éjecteur.	<ol style="list-style-type: none"> <li>1. La hauteur de coupe utilisée est trop basse.</li> <li>2. Vous essayez de tondre une pelouse humide.</li> <li>3. Le dessous du carter de la tondeuse est encrassé.</li> </ol>	<ol style="list-style-type: none"> <li>1. Augmentez la hauteur de coupe.</li> <li>2. Ne tondez pas quand l'herbe est mouillée.</li> <li>3. Nettoyez le dessous du carter de la tondeuse.</li> </ol>

## International Distributor List—Consumer Products

<b>Distributor:</b>	<b>Country:</b>	<b>Phone Number:</b>
Atlantis Su ve Sulama Sistemleri Lt	Turkey	90 216 344 86 74
Balama Prima Engineering Equip	Hong Kong	852 2155 2163
B-Ray Corporation	Korea	82 32 551 2076
Casco Sales Company	Puerto Rico	787 788 8383
Ceres S.A	Costa Rica	506 239 1138
CSSC Turf Equipment (pvt) Ltd	Sri Lanka	94 11 2746100
Cyril Johnston & Co	Nothern Ireland	44 2890 813 121
Equivier	Mexico	52 55 539 95444
Femco S.A.	Guatemala	502 442 3277
G.Y.K. Company Ltd.	Japan	81 726 325 861
Geomechaniki of Athens	Greece	30 10 935 0054
Guandong Golden Star	China	86 20 876 51338
Hako Gorund and Garden	Sweden	46 35 10 0000
Hydroturf Int. Co	Dubai United Arab Emirates	97 14 347 9479
Hydroturf Egypt LLC	Egypt	202 519 4308
Ibea S.p.A.	Italy	39 0331 853611
Irriamc	Portugal	351 21 238 8260
Jean Heybroek b.v.	Netherlands	31 30 639 4611
Lely (U.K. ) Limited	United Kingdom	44 1480 226 800
Maquiver S.A.	Colombia	57 1 236 4079
Maruyama Mfg. Co. Inc.	Japan	81 3 3252 2285
Metra Kft	Hungary	36 1 326 3880
Mountfield a.s.	Czech Republic	420 255 704 220
Munditol S.A.	Argentina	54 11 4 821 9999
Oslinger Turf Equipment SA	Ecuador	593 4 239 6970
Oy Hako Ground and Garden Ab	Finland	358 987 00733
Parkland Products Ltd	New Zealand	64 3 34 93760
Prochaska & Cie	Austria	43 1 278 5100
RT Cohen 2004 Ltd	Israel	972 986 17979
Riversa	Spain	34 9 52 83 7500
Roth Motorgerate GmBh & Co	Germany	49 7144 2050
Sc Svend Carlsen A/S	Denmark	45 66 109 200
Solvert S.A.S	France	33 1 30 81 77 00
Spypros Stavrinides Limited	Cyprus	357 22 434131
Surge Systems India Limited	India	91 1 292299901
T-Markt Logistics Ltd	Hungary	36 26 525 500
Toro Australia	Australia	61 3 9580 7355
Toro Europe BVBA	Belgium	32 14 562 960



### Conditions et produits couverts

La société The Toro® Company et sa filiale, la société Toro Warranty, en vertu de l'accord passé entre elles, s'engagent conjointement auprès de l'acheteur d'origine\* à réparer tout produit Toro utilisé à des fins résidentielles normales\* présentant un défaut de matériau ou de fabrication. Durées de la garantie à partir de la date d'achat d'origine :

Produits	Période de garantie
Tondeuses autotractées	Garantie limitée de 2 ans
Tondeuses autoportées à moteur arrière	Garantie limitée de 2 ans
Tracteurs de jardin et tondeuses autoportées	Garantie limitée de 2 ans
Produits électriques à main	Garantie limitée de 2 ans
Déneigeuses	Garantie limitée de 2 ans
Machines à rayon de braquage zéro à usage privé	Garantie limitée de 2 ans

\* "Acheteur d'origine" signifie la première personne qui s'est portée acquéreur des produits Toro.

\* "Usage résidentiel normal" désigne l'utilisation du produit sur le terrain où se trouve votre maison. L'utilisation dans d'autres lieux est considérée comme un usage commercial, couvert par une garantie limitée.

### Garantie limitée pour usage commercial

Les produits de consommation et accessoires Toro utilisés à des fins commerciales, par des institutions ou donnés en location, sont couverts contre tout défaut de matériau ou de fabrication pour les durées suivantes à compter de la date d'achat d'origine :

Produits	Période de garantie
Tondeuses autotractées	Garantie de 90 jours
Tondeuses autoportées à moteur arrière	Garantie de 90 jours
Tracteurs de jardin et tondeuses autoportées	Garantie de 90 jours
Produits électriques à main	Garantie de 90 jours
Déneigeuses	Garantie de 90 jours
Machines à rayon de braquage zéro à usage privé	Garantie de 45 jours

### Comment faire intervenir la garantie ?

Si vous pensez que votre produit Toro présente un défaut de fabrication ou de matériau, procédez comme suit :

1. Demandez à votre revendeur de prendre en charge votre produit. Si pour une raison quelconque il vous est impossible de contacter votre revendeur, vous pouvez vous adresser à n'importe quel concessionnaire Toro agréé pour l'entretien de votre produit.
2. Lorsque vous vous rendez chez le revendeur ou le réparateur, apportez le produit et une preuve d'achat (reçu).

Si, pour une raison ou l'autre, vous n'êtes pas satisfait du diagnostic de votre réparateur ou des conseils prodigués, n'hésitez pas à contacter l'importateur Toro ou à nous contacter à l'adresse suivante :

Customer Care Department, Consumer Division  
Toro Warranty Company  
8111 Lyndale Avenue South  
Bloomington, MN 55420-1196  
Directeur : Service technique : 001-952-887-8248

Consultez la liste des distributeurs jointe.

### Responsabilités du propriétaire

Votre produit Toro doit être entretenu en suivant les instructions du manuel de l'utilisateur. Cet entretien courant est à vos frais, qu'il soit effectué par vous ou par un concessionnaire.

### Ce que la garantie ne couvre pas

Cette garantie expresse ne couvre pas :

- Les frais normaux d'entretien et de remplacement de pièces, telles que les filtres, le carburant, les lubrifiants, les pièces d'usure, l'affûtage des lames ou le réglage des freins et de l'embrayage.
- Les produits ou pièces ayant subi des modifications, un usage abusif ou nécessitant un remplacement ou une réparation en raison de l'usure normale, d'un accident ou d'un défaut d'entretien.
- Les réparations requises en raison de l'usage d'un carburant inadéquat, de la présence d'impuretés dans le carburant, ou d'une négligence de la préparation du système d'alimentation indispensable avant toute période de non-utilisation de plus de trois mois.
- Moteur et transmission. Ces composants sont couverts pas les garanties du constructeur pertinentes et par des conditions séparées.

Toutes les réparations couvertes par cette garantie doivent être effectuées par un réparateur Toro agréé, à l'aide de pièces de rechange agréées par Toro.

### Conditions générales

L'acheteur est couvert par la législation nationale de chaque pays. Les droits de l'acheteur, soutenus par la législation, ne sont pas limités par la présente garantie.



# Tosaerba elettrici Eurocycler™ da 34 cm e 41 cm

N° del modello 21080—N° di serie 270A00001 e superiori

N° del modello 21081—N° di serie 270B00001 e superiori

N° del modello 21082—N° di serie 270C00001 e superiori

N° del modello 21090—N° di serie 270D00001 e superiori

N° del modello 21091—N° di serie 270E00001 e superiori

N° del modello 21092—N° di serie 270F00001 e superiori

## Manuale dell'operatore

## Indice

Introduzione .....	1
Sicurezza .....	1
Norme di sicurezza.....	2
Pressione acustica.....	2
Potenza acustica .....	3
Vibrazione mano/braccio.....	3
.....	3
Prevenzione di rifiuti di apparecchiature elettriche ed elettroniche (WEEE).....	3
Adesivi di sicurezza e informativi .....	3
Preparazione .....	3
1. Apertura della stegola .....	3
2. Montaggio del cesto di raccolta .....	4
Quadro generale del prodotto.....	5
Specifiche.....	6
Funzionamento.....	6
Fissaggio del cavo di prolunga.....	6
Pianificazione della tosatura.....	7
Avviamento del motore .....	7
Arresto del motore .....	7
Regolazione dell'altezza di taglio .....	7
Utilizzo del cesto di raccolta.....	8
Suggerimenti per la tosatura.....	9
Manutenzione .....	9
Apparecchiature con doppio isolamento .....	9
Pulizia della scocca del tosaerba .....	9
Revisione della lama.....	10
Revisione del sistema di accensione e del freno della lama .....	11
Rimessaggio .....	11
Localizzazione guasti.....	12

## Introduzione

Questo tosaerba è stato progettato per uso esclusivamente privato su aree residenziali, e non deve essere utilizzato a scopo commerciale su aree pubbliche.

Vi ringraziamo per aver scelto un tosaerba elettrico Toro per uso residenziale. Leggete attentamente questo manuale al fine di utilizzare e mantenere

correttamente il vostro tosaerba. Le informazioni qui riportate aiuteranno voi ed altri ad evitare infortuni e a non danneggiare il prodotto. Sebbene la Toro progetti e produca prodotti all'insegna della sicurezza, voi siete responsabili del corretto utilizzo del prodotto in condizioni di sicurezza.

I regolamenti per l'utilizzo dei tosaerba variano di zona in zona. Consultate gli enti locali in merito a regolamenti e limitazioni degli orari in cui è permesso tosare nella vostra zona.

## Sicurezza

**Leggete e comprendete il contenuto di questo manuale prima di avviare il motore.**

**⚠ Questo è il simbolo di richiamo alla sicurezza, che viene usato per richiamare l'attenzione a pericoli di infortuni potenziali. Attenetevi a tutti i messaggi di sicurezza che seguono questo simbolo, al fine di evitare infortuni ed anche la morte.**

**L'errato utilizzo o manutenzione di questo tosaerba può causare infortuni ed anche la morte. Limitate questo pericolo attenendovi alle seguenti istruzioni di sicurezza.**



**Osservate sempre queste istruzioni di sicurezza per ridurre il rischio d'incendio, scosse elettriche e infortuni quando utilizzate questo tosaerba elettrico.**

Le seguenti informazioni sulla sicurezza sono un adattamento delle norme europee EN 836:1997 e CEI/IEC 60335-77:2001.

# Norme di sicurezza

## Informazioni generali

- Leggete attentamente le istruzioni. Prendete dimestichezza con i comandi e il corretto utilizzo dell'apparecchiatura.
- Non consentite mai l'uso del tosaerba a bambini o a persone che non abbiano perfetta conoscenza delle presenti istruzioni. Le normative locali possono imporre limiti all'età dell'operatore.
- Non tosate in prossimità di altre persone, soprattutto bambini, o di animali da compagnia.
- L'operatore o utilizzatore è responsabile di incidenti o pericoli occorsi ad altre persone o alla loro proprietà.

## Preparazione

- Indossate pantaloni lunghi e calzature robuste quando tosate. Non usate mai l'apparecchiatura a piedi nudi o in sandali.
- Ispezionate attentamente l'area in cui deve essere utilizzata l'apparecchiatura, e sgombratela da oggetti che possano venire raccolti e scagliati dalla macchina.
- Prima dell'uso, controllate sempre a vista che la lama, i bulloni della lama e il gruppo di taglio non siano usurati o danneggiati. Sostituite in serie la lama e i bulloni usurati o danneggiati, per mantenere il bilanciamento.
- Toro consiglia di corredare il tosaerba di un dispositivo di corrente residua (RCD) di un massimo di 30 mA.
- Usate soltanto un cavo di prolunga di 1,00 mm<sup>2</sup> adatto per uso all'aperto, lungo un massimo di 30 m (se pertinente).

## Maneggio

- Tosate solamente alla luce del giorno o con illuminazione artificiale adeguata.
- Evitate, per quanto possibile, di utilizzare l'apparecchiatura su erba bagnata.
- Procedete sempre con passo sicuro sulle pendenze.
- Camminate, non correte.
- Se utilizzate un tosaerba rotante con ruote per falciare in pendenza, eseguite un movimento laterale, mai verso l'alto e il basso.
- Sulle pendenze invertite la direzione con la massima cautela.
- Non tosate versanti molto scoscesi.
- Prestate la massima attenzione quando fate marcia indietro o tirate il tosaerba verso di voi.

- Spegnete il tosaerba quando lo trasferite da un'area da tosare all'altra. Fermate la lama ogni volta che allontanate il tosaerba dal tappeto erboso.
- Non utilizzate mai il tosaerba se gli schermi sono difettosi o se i dispositivi di protezione non sono montati (es. deflettori e/o cesti di raccolta).
- Accendete il motore con cautela come da istruzioni, tenendo i piedi a debita distanza dalla lama.
- Non inclinate il tosaerba quando accendete il motore, salvo nei casi in cui il tosaerba debba essere inclinato per l'avviamento. In questo caso non inclinatelo più del necessario, e sollevate soltanto il lato lontano dall'operatore. Prima di rimettere l'apparecchiatura a terra, accertatevi che entrambe le mani siano in posizione di lavoro.
- Non mettete le mani o i piedi vicino o sotto le parti rotanti. Restate sempre lontani dall'apertura di scarico.
- Non sollevate né trasportate il tosaerba se il motore è acceso.
- Togliete la spina dalla presa:
  - ogni volta che lasciate il tosaerba incustodito;
  - prima di sbloccare un intasamento o di rimuovere corpi estranei dal tubo di scarico;
  - prima di controllare, pulire o eseguire interventi sul tosaerba;
  - dopo aver colpito un corpo estraneo; ispezionate il tosaerba per rilevare eventuali danni, ed effettuate le riparazioni necessarie prima di utilizzarlo;
  - se il tosaerba inizia a vibrare in modo anomalo (controllate immediatamente).

## Manutenzione e rimessaggio

- Mantenete adeguatamente serrati tutti i dadi, i bulloni e le viti, per assicurarvi che le apparecchiature funzionino nelle migliori condizioni di sicurezza.
- Controllate frequentemente il cesto di raccolta, per verificarne l'usura o il deterioramento.
- Sostituite le parti usurate o danneggiate, per motivi di sicurezza.
- Verificate che la lama di taglio utilizzata sia quella giusta.
- Acquistate soltanto parti di ricambio ed accessori originali Toro.

## Pressione acustica


Questa macchina ha un livello massimo di pressione acustica all'orecchio dell'operatore di 83 dBA, basato

sulla misura di macchine identiche in ottemperanza alla norma EN 11201.

## Potenza acustica

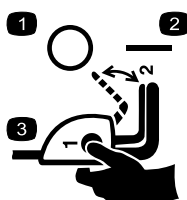
Questa unità ha un livello di potenza acustica garantito di 96 dBA, basato sulla misura di macchine identiche in ottemperanza alla norma EN 11094.

## Prevenzione di rifiuti di apparecchiature elettriche ed elettroniche (WEEE)

	<ul style="list-style-type: none"><li>• La direttiva UE 2002/96/CE classifica questo prodotto come attrezzo elettrico o elettronico.</li><li>• <b>Non</b> smaltite questo attrezzo come rifiuto urbano indifferenziato.</li><li>• Smaltite questo attrezzo presso un centro di raccolta o riciclaggio, nel pieno rispetto delle leggi locali e nazionali.</li><li>• Il consumatore svolge un ruolo importante nella riduzione dello smaltimento dei rifiuti, e deve consegnare gli attrezzi elettronici ed elettrici inutilizzabili per il riciclaggio.</li><li>• Il riciclaggio evita la dispersione di materiali pericolosi nel ciclo dei rifiuti urbani.</li><li>• Il simbolo del cassonetto barrato ricorda all'utente di non smaltire questo prodotto come rifiuto urbano indifferenziato.</li></ul>
---	---

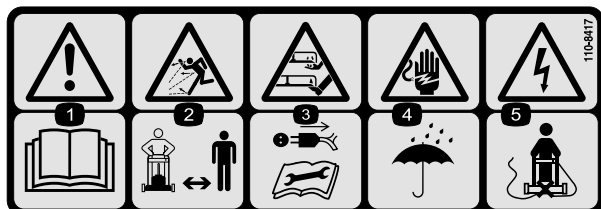
## Adesivi di sicurezza e informativi

**Importante:** Gli adesivi di sicurezza e d'istruzione sono affissi accanto a zone particolarmente pericolose. Sostituite gli adesivi danneggiati o mancanti.



110-1168

1. Off
2. On
3. Per mettere in moto il tosaerba, premete il pulsante e tenetelo premuto mentre tirate indietro la barra di comando.



110-8417

1. Avvertenza – Leggete il *Manuale dell'operatore*.
2. Pericolo di lancio di oggetti. Tenete gli astanti a distanza di sicurezza dalla macchina.
3. Attenzione! Non toccate la lama mentre gira. Scollegate il cavo elettrico e leggete le istruzioni prima di eseguire interventi di revisione o manutenzione.
4. Pericolo di scossa elettrica. Tenete la macchina lontano da pioggia e umidità.
5. Pericolo di tagliare il cavo elettrico. Non spingete la macchina sopra il cavo elettrico.

## Vibrazione mano/braccio

Questa unità non supera il livello di vibrazioni a mani/braccia di 4,8 m/s<sup>2</sup>, collaudato mediante rilevazioni su macchine identiche in conformità alla norma EN 836.

## Preparazione

**Nota:** Non mettete il tosaerba sotto tensione prima che sia completamente montato.

### 1. Apertura della stegola

#### Procedura

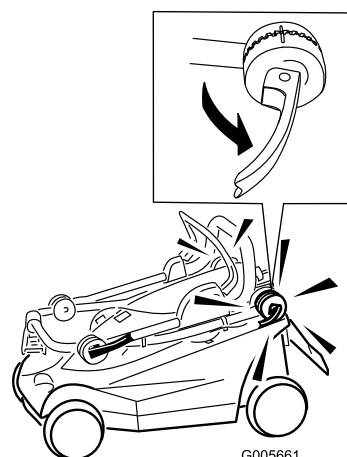
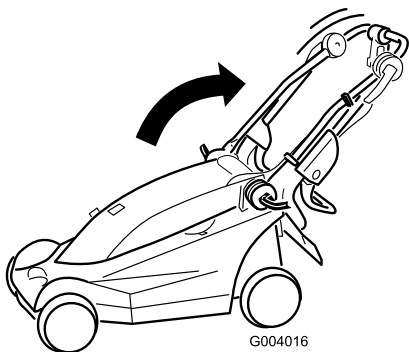
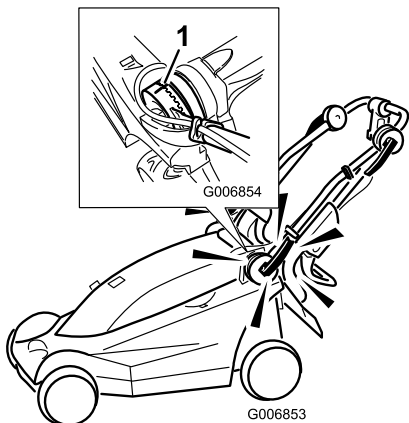


Figura 1

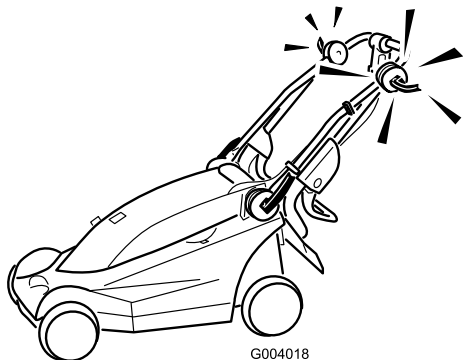


**Figura 2**

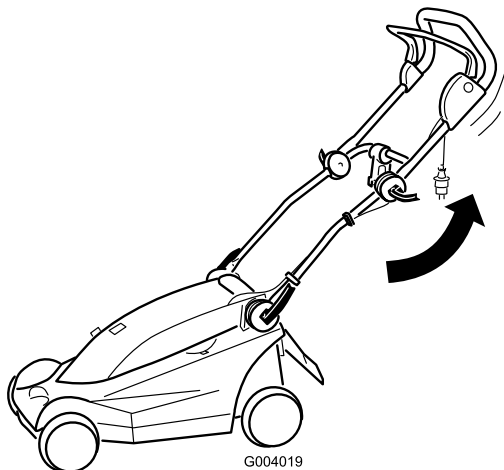


**Figura 3**

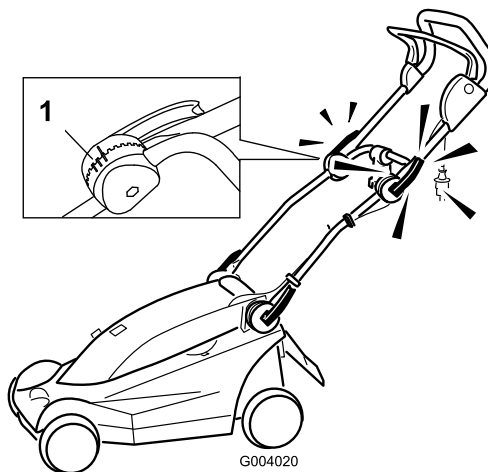
1. Allineate i segni



**Figura 4**



**Figura 5**



**Figura 6**

1. Segni per le posizioni della stegola

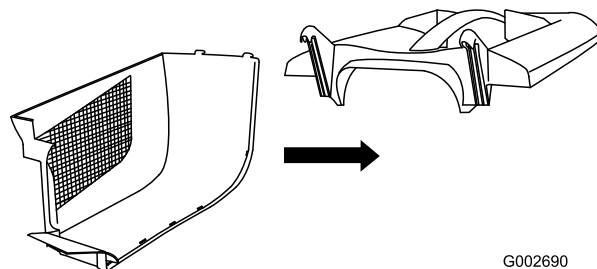
**Nota:** Potete regolare la stegola superiore in tre posizioni. Allineate il segno ad uno dei tre segni previsti sul lato interno del dispositivo di bloccaggio della stegola superiore (Figura 6).

## 2. Montaggio del cesto di raccolta

### Procedura

**Importante:** Eseguite le operazioni nell'ordine indicato.

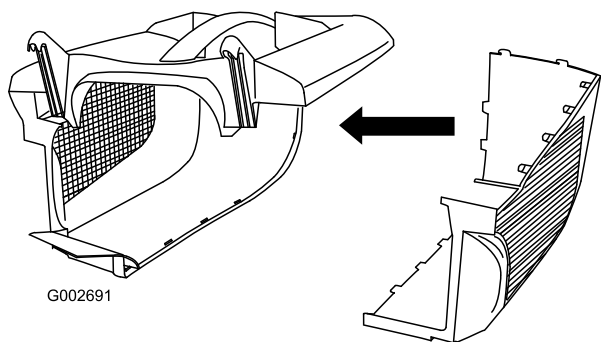
1. Inserite il lato nei fermi sulla parte superiore (Figura 7).



**Figura 7**

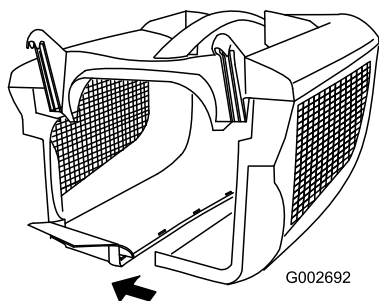
2. Inserite l'altro lato nei fermi della parte superiore e bloccate insieme il retro dei due lati (Figura 8).

# Quadro generale del prodotto

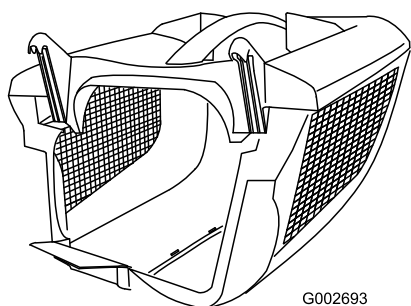


**Figura 8**

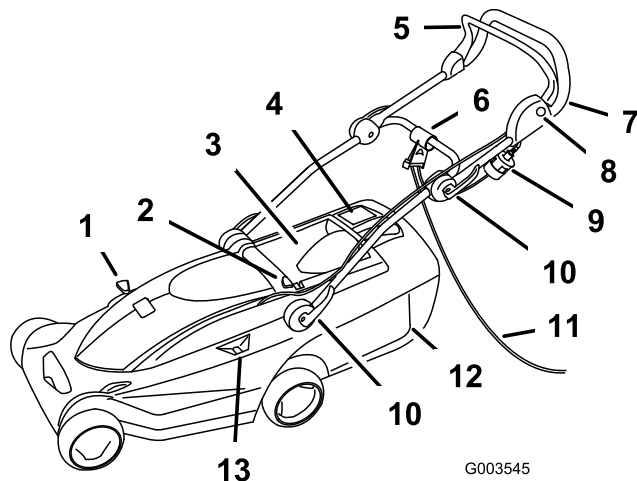
3. Iniziando dal retro, allineate e premete insieme i rimanenti fermi laterali (Figura 9).



**Figura 9**



**Figura 10**



**Figura 11**

- |   |   |
|---|---|
| 1. Leva di riciclaggio/raccolta                   | 8. Pulsante                                 |
| 2. Pulsante di regolazione dell'altezza di taglio | 9. Spina                                    |
| 3. Sportello posteriore                           | 10. Dispositivi di blocco della stegola (4) |
| 4. Spia di livello del cesto di raccolta          | 11. Cavo di prolunga (non a corredo)        |
| 5. Barra di comando                               | 12. Cesto di raccolta                       |
| 6. Blocco del cavo                                | 13. Spia di livello dell'altezza di taglio  |
| 7. Stegola  |   |

# Specifiche

Modello	21080	21081	21082	21090	21091	21092
Peso	16 kg	17 kg	16 kg	19 kg	20 kg	19 kg
Lunghezza	137 cm	137 cm	137 cm	145 cm	145 cm	145 cm
Larghezza	39 cm	39 cm	39 cm	45 cm	45 cm	45 cm
Larghezza di taglio nominale	34 cm	34 cm	34 cm	41 cm	41 cm	41 cm
Range di altezze di taglio nominali	Tra 20 mm e 75 mm	Tra 20 mm e 75 mm	Tra 20 mm e 75 mm	Tra 20 mm e 75 mm	Tra 20 mm e 75 mm	Tra 20 mm e 75 mm
Capacità del cesto di raccolta	32 litri	32 litri	32 litri	40 litri	40 litri	40 litri
Regime nominale del motore	3000 giri/min	3000 giri/min	3000 giri/min	3000 giri/min	3000 giri/min	3000 giri/min
Voltaggio e frequenza	230 V/50 Hz	230 V/50 Hz	230 V/50 Hz	230 V/50 Hz	230 V/50 Hz	230 V/50 Hz
Potenza	1,2 kW	1,2 kW	1,2 kW	1,2 kW	1,2 kW	1,2 kW

## Funzionamento

### Fissaggio del cavo di prolunga

**Nota:** Questa operazione viene eseguita sui tosaerba che necessitano di un cavo di prolunga.

Utilizzate soltanto un cavo di prolunga raccomandato per uso all'aperto.

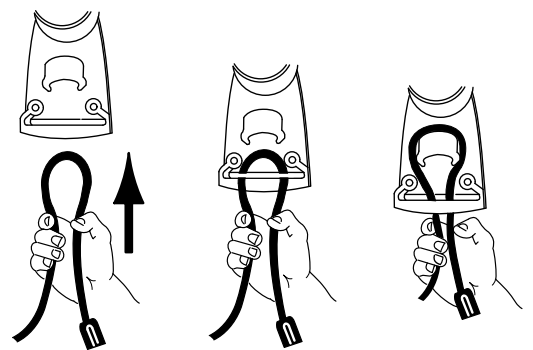


Figura 12

G002648



**Il contatto con l'acqua mentre usate il tosaerba può causare una scossa elettrica, e di conseguenza ferite o anche la morte.**

- Non maneggiate la spina o il tosaerba con mani bagnate o con i piedi nell'acqua.
- Utilizzate soltanto un cavo di prolunga raccomandato per uso all'aperto a temperature fredde.

1. Formate un cappio con il cavo di prolunga e fissatelo nel fermacavo (Figura 12).

2. Collegate il cavo di prolunga alla spina del tosaerba (Figura 13).

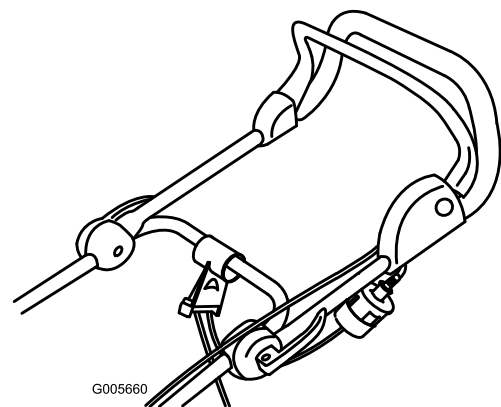


Figura 13

G005660

**Nota:** Non tirate il cavo di prolunga per staccare la spina; per togliere il cavo dalla presa afferrate la spina, non il cavo.



Il cavo elettrico può danneggiarsi e provocare scosse o prendere fuoco.

Controllate attentamente il cavo elettrico prima di usare il tosaerba. Se il cavo è danneggiato, non usate il tosaerba. Fate sostituire o riparare immediatamente il cavo danneggiato da un Centro Assistenza Toro autorizzato.

## Pianificazione della tosatura

Osservate il piano di tosatura proposto, per ridurre il rischio di passare sopra il cavo con il tosaerba e di usurare inutilmente il cavo. Non lasciate avvolgere il cavo elettrico attorno ad alberi, cespugli o altri ostacoli.

Iniziate a tosare nelle adiacenze della presa elettrica. Tosate avanti e indietro, allontanandovi a poco a poco dalla presa elettrica (Figura 14).

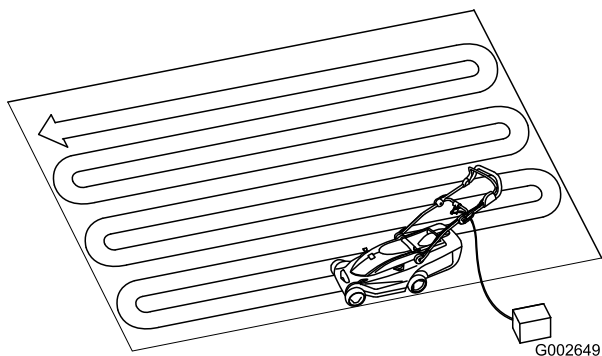


Figura 14

## Avviamento del motore

1. Collegate il cavo di prolunga al tosaerba (se pertinente).
2. Inserite l'altro capo del cavo in una presa elettrica domestica.
3. Premete il pulsante a sinistra della stegola e tenetelo premuto (Figura 15).

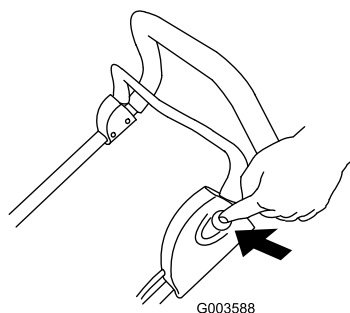


Figura 15

4. Tenete premuto il pulsante e tirate la barra di comando verso la stegola (Figura 16).

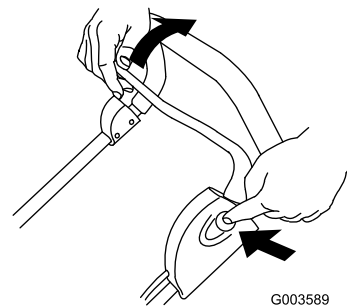


Figura 16

5. Tenete la barra di comando contro la stegola e rilasciate il pulsante (Figura 17).

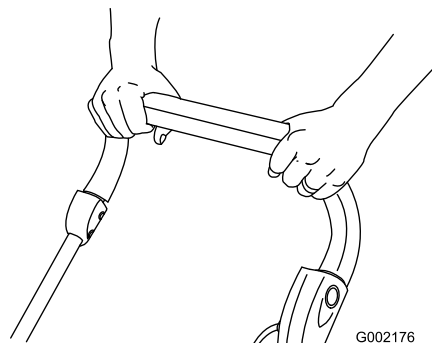


Figura 17

## Arresto del motore

1. Rilasciate la barra di comando (Figura 18).

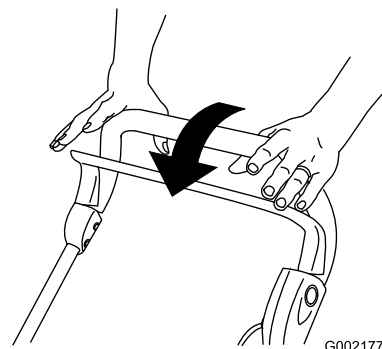


Figura 18

2. Se lasciate il tosaerba incustodito, staccate la spina dalla presa elettrica.

## Regolazione dell'altezza di taglio

Il tosaerba ha sei altezze di taglio (tutte approssimative):  
A = 20 mm; B = 31 mm; C = 42 mm; D = 53 mm; E = 64 mm ed F = 75 mm.

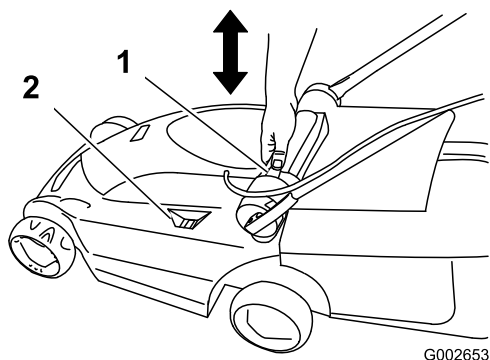




**Regolando le leve dell'altezza di taglio potreste toccare la lama in movimento con le mani o i piedi, e ferirvi gravemente.**

**Prima di cambiare l'altezza di taglio spegnete il motore e attendete che tutte le parti in movimento si siano fermate.**

1. Spegnete il motore e attendete che tutte le parti in movimento si siano fermate.
2. Premete il pulsante di regolazione dell'altezza di taglio con il pollice, e abbassate o alzate l'impugnatura dell'altezza di taglio all'altezza opportuna illustrata dalla spia di livello dell'altezza di taglio (Figura 19).



**Figura 19**

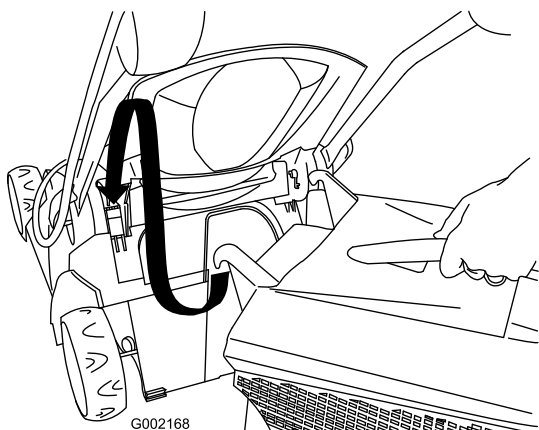
1. Pulsante di regolazione dell'altezza di taglio
2. Spia di livello dell'altezza di taglio

3. Rilasciate il pulsante di regolazione dell'altezza di taglio.

## Utilizzo del cesto di raccolta

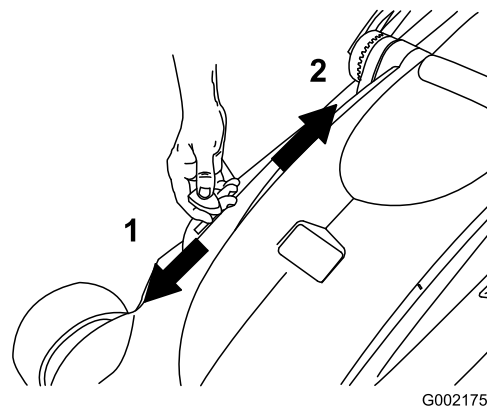
Montate il cesto di raccolta per raccogliere l'erba falciata.

1. Alzate lo sportello posteriore e montate il cesto di raccolta sul tosaerba (Figura 20).



**Figura 20**

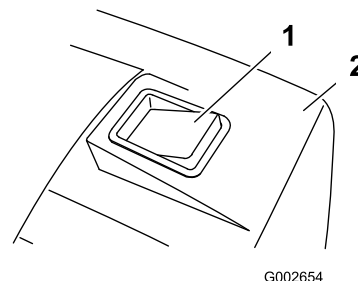
2. Rilasciate lo sportello posteriore.
3. Spostate la leva di riciclaggio/raccolta in posizione di raccolta (Figura 21).



**Figura 21**

1. Posizione di raccolta
2. Posizione di riciclaggio (mulching)
3. Leva di riciclaggio/raccolta

4. Tosate con il cesto di raccolta montato, fin quando la relativa spia indica che il cesto è pieno (Figura 22).



**Figura 22**

1. Spia del cesto di raccolta (cesto pieno)
2. Cesto di raccolta

5. Togliete il cesto di raccolta dal tosaerba e svuotatelo.

**Nota:** Per commutare dalla raccolta dello sfalcio al riciclaggio, spostate la leva di riciclaggio/raccolta nella posizione di riciclaggio (Figura 21) e togliete il cesto di raccolta.

## Suggerimenti per la tosatura



Figura 23

Osservate queste istruzioni per ottenere una falciatura ed un tappeto erboso più attraenti.

- Mantenete la **lama affilata** durante l'intera stagione di tosatura.
- **Falciate soltanto erba asciutta.** L'erba bagnata tende a raggrupparsi sul prato e può intasare il tosaerba o fermare il motore. Può anche essere scivolosa, e se vi camminate sopra potreste scivolare e cadere.
- Quando falciate con singole passate, sovrapponetevi di 4 cm circa.
- Quando falciate erba molto alta, per ottenere un tappeto erboso attraente si consiglia di falciare innanzitutto alla massima altezza di taglio e alla minima velocità a piedi, e falciarla di nuovo ad un'altezza di taglio inferiore.
- Se il tappeto erboso tosato non ha un aspetto soddisfacente, provate uno dei seguenti rimedi.
  - Affilate la lama.
  - Camminate più lentamente mentre tosate.
  - Alzate l'altezza di taglio del tosaerba.
  - Tosate più di frequente.
  - Sovrapponete le falciate, anziché praticare una falciata intera ad ogni passata.

## Manutenzione

Toro ha progettato questo prodotto in modo che vi dia anni e anni di servizio affidabile. Per eventuali revisioni portate il prodotto ad un Centro Assistenza Toro autorizzato.



**Quando è collegato ad una presa elettrica domestica, il tosaerba è pronto per l'uso. Qualcuno potrebbe avviarlo accidentalmente e causare gravi infortuni a voi e a terzi.**

**Se lasciate il tosaerba incustodito, staccate sempre la spina dalla presa elettrica.**

## Apparecchiature con doppio isolamento

Le apparecchiature con doppio isolamento sono provviste di due sistemi di isolamento al posto della messa a terra. Le apparecchiature con doppio isolamento non sono provviste di messa a terra, ed a queste apparecchiature non si deve aggiungere la messa a terra. La revisione di apparecchiature con doppio isolamento deve essere eseguita con la massima cautela da personale esperto, pertanto deve essere eseguita soltanto da addetti alla revisione qualificati, presso un Centro Assistenza Toro autorizzato. Le parti di ricambio delle apparecchiature con doppio isolamento devono essere identiche alle parti da esse sostituite. Le apparecchiature con doppio isolamento sono contrassegnate dalla dicitura "Doppio isolamento" (Double Insulation) o "Doppiamente isolate" (Double Insulated). Sull'apparecchiatura può essere presente anche il simbolo (quadrato all'interno di un quadrato) □.

## Pulizia della scocca del tosaerba

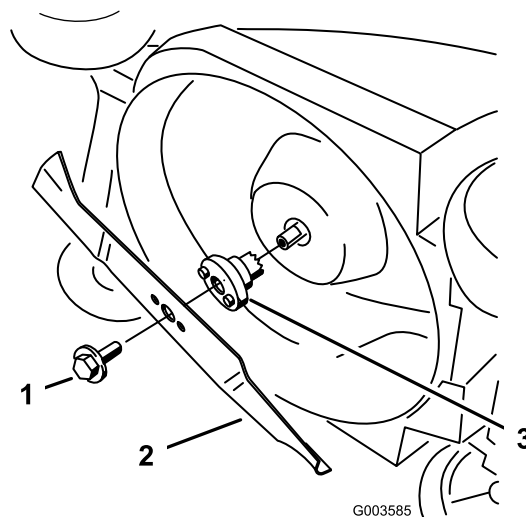
Pulite sempre la scocca del tosaerba dopo l'uso.

Prima di pulirlo, spegnete il motore, attendete che tutte le parti in movimento si siano fermate, e scollegate il tosaerba dalla presa elettrica.

**Importante: Non pulite il tosaerba con acqua. L'umidità può rimanere intrappolata nel tosaerba e far corrodere le parti interne.**

- Pulite il sottoscocca del tosaerba. Togliete morchia e sfalcio con un raschietto di legno duro.
- Togliete i detriti dai fori di sfogo della scocca sopra il tosaerba.

- Eliminate con una spazzola tutti i detriti dalla scocca del tosaerba.
- Verificate che nella presa della spina elettrica non vi siano segni di fusione o calore. Le spine consumate dei cavi di prolunga, se sono allentate nella presa, possono causare il surriscaldamento a causa del cattivo contatto. Sostituite immediatamente i cavi di prolunga avariati (se pertinente).



## Revisione della lama

Tosate sempre con una lama affilata. Le lame affilate falciano l'erba in modo uniforme, senza strapparla o tagliuzzarla.

Per la sostituzione della lama utilizzate soltanto lame di ricambio originali Toro.



**Qualcuno potrebbe avviare accidentalmente il motore e causare gravi infortuni all'operatore o a terzi.**

**Non cercate di controllare, togliere o sostituire la lama senza aver prima staccato il tosaerba dalla presa elettrica.**

1. Spegnete il motore e attendete che tutte le parti in movimento si siano fermate.
2. Staccate il tosaerba dalla presa elettrica.
3. Inclinate il tosaerba su di un lato.
4. Controllate attentamente l'affilatura e l'usura della lama, specialmente nel punto d'incontro tra le parti piatte e quelle curve. Se notate segni di usura, sostituite la lama.

**Nota:** Per ottenere prestazioni ottimali montate una lama nuova prima dell'inizio della stagione di tosatura. Durante la stagione di tosatura, limate eventuali piccole tacche sulla lama per mantenere il tagliente.



**Una lama consumata o danneggiata può spezzarsi e scagliare frammenti in direzione dell'operatore o di astanti, causando gravi ferite o anche la morte.**

**Controllate spesso la lama per accertarvi che non vi siano segni di usura o danno, e sostituirla se è consumata o avariata.**

## Rimozione della lama

1. Afferrate l'estremità della lama (Figura 24) con un cencio o un guanto bene imbottito.

**Figura 24**

1. Bullone della lama
2. Lama
3. Adattatore della lama

2. Togliete il bullone della lama e la lama.

**Importante:** Se l'adattatore della lama dovesse staccarsi, non dimenticate di montarlo prima della lama e del bullone. Se utilizzerete il tosaerba senza l'adattatore della lama, danneggerete il tosaerba.

## Affilatura della lama

Affilate il lato superiore della lama con una lima, e mantenete l'angolo di taglio originale.

**Nota:** La lama rimarrà bilanciata soltanto se rimuoverete una quantità uguale di materiale da entrambi i taglienti.

**Importante:** Controllate il bilanciamento della lama posizionandola su un bilanciatore. Potrete acquistare un bilanciatore poco costoso da un negozio di ferramenta. La lama bilanciata rimane in posizione orizzontale; se è sbilanciata, si abbassa dal lato pesante. Se la lama è sbilanciata, limate dell'altro metallo dal tagliente, dall'estremità pesante della lama.

## Montaggio della lama

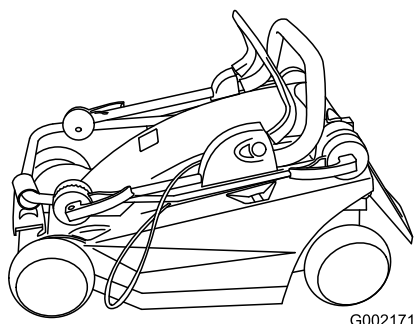
Montate la lama affilata e bilanciata, ed il relativo bullone. Il montaggio è corretto se la costa della lama è rivolta verso l'alto della scocca del tosaerba. Serrate il bullone della lama a 15 Nm.

# Revisione del sistema di accensione e del freno della lama

Il motore e la lama sono progettati in modo da fermarsi entro tre secondi dopo aver rilasciato la barra di comando. Verificate che la barra di comando funzioni correttamente ogni volta che utilizzate il tosaerba. Se la lama non si ferma entro tre secondi, o se udite rumori di raschiatura o di metallo contro metallo quando rilasciate la barra di comando, contattate un Centro Assistenza Toro autorizzato. Questa raccomandazione è pertinente anche qualora notiate forti vibrazioni mentre utilizzate il tosaerba.

## Rimessaggio

Riponete il tosaerba in un luogo fresco, pulito e asciutto, fuori dalla portata dei bambini. Copritelo con un telo per mantenerlo pulito e protetto.



**Figura 25**

- 
1. Pulite la scocca del tosaerba.
  2. Controllate le condizioni della lama.

# Localizzazione guasti

Problema	Possibile causa	Rimedio
Il motore non si avvia	<ol style="list-style-type: none"><li>1. Il cavo di prolunga non è collegato al tosaerba.</li><li>2. Il cavo di prolunga è danneggiato.</li><li>3. Il fusibile o l'interruttore automatico sono saltati.</li></ol>	<ol style="list-style-type: none"><li>1. Collegate il cavo di prolunga al tosaerba e inserite l'altra estremità del cavo di prolunga in una normale presa domestica.</li><li>2. Controllate il cavo di prolunga, e se è danneggiato riparatelo.</li><li>3. Controllate il fusibile di uscita o l'interruttore automatico.</li></ol>
Il motore si avvia con difficoltà o perde potenza	<ol style="list-style-type: none"><li>1. Il tubo di scarico del tosaerba è ostruito.</li><li>2. Il sottoscocca del tosaerba è sporco.</li><li>3. L'altezza di taglio impostata è troppo bassa.</li></ol>	<ol style="list-style-type: none"><li>1. Disintasate il tubo di scarico del tosaerba.</li><li>2. Pulite il sottoscocca del tosaerba.</li><li>3. Impostate l'altezza di taglio del tosaerba ad una posizione superiore e riavviate il motore.</li></ol>
Il tosaerba o il motore vibrano eccessivamente	<ol style="list-style-type: none"><li>1. La lama non è bilanciata.</li><li>2. Il bullone del sopporto della lama è allentato.</li><li>3. Il tubo di scarico del tosaerba è ostruito.</li><li>4. Il sottoscocca del tosaerba è sporco.</li><li>5. I bulloni di fissaggio del motore sono allentati.</li></ol>	<ol style="list-style-type: none"><li>1. Bilanciate la lama.</li><li>2. Serrate il bullone di fissaggio della lama.</li><li>3. Disintasate il tubo di scarico del tosaerba.</li><li>4. Pulite il sottoscocca del tosaerba.</li><li>5. Serrate i bulloni di fissaggio del motore.</li></ol>
Taglio non uniforme	<ol style="list-style-type: none"><li>1. La lama è ottusa e sbilanciata.</li><li>2. Avete tosato ripetutamente nella stessa direzione.</li><li>3. Il sottoscocca del tosaerba è sporco.</li></ol>	<ol style="list-style-type: none"><li>1. Affilate la lama e bilanciatela.</li><li>2. Cambiate la direzione di tosatura.</li><li>3. Pulite il sottoscocca del tosaerba.</li></ol>
Scaricate i tappi dal tubo di scarico.	<ol style="list-style-type: none"><li>1. L'altezza di taglio impostata è troppo bassa.</li><li>2. L'erba che cercate di falciare è bagnata.</li><li>3. Il sottoscocca del tosaerba è sporco.</li></ol>	<ol style="list-style-type: none"><li>1. Alzate l'altezza di taglio.</li><li>2. Lasciate asciugare l'erba prima di tosarla.</li><li>3. Pulite il sottoscocca del tosaerba.</li></ol>

## International Distributor List—Consumer Products

<b>Distributor:</b>	<b>Country:</b>	<b>Phone Number:</b>
Atlantis Su ve Sulama Sistemleri Lt	Turkey	90 216 344 86 74
Balama Prima Engineering Equip	Hong Kong	852 2155 2163
B-Ray Corporation	Korea	82 32 551 2076
Casco Sales Company	Puerto Rico	787 788 8383
Ceres S.A	Costa Rica	506 239 1138
CSSC Turf Equipment (pvt) Ltd	Sri Lanka	94 11 2746100
Cyril Johnston & Co	Nothern Ireland	44 2890 813 121
Equivier	Mexico	52 55 539 95444
Femco S.A.	Guatemala	502 442 3277
G.Y.K. Company Ltd.	Japan	81 726 325 861
Geomechaniki of Athens	Greece	30 10 935 0054
Guandong Golden Star	China	86 20 876 51338
Hako Gorund and Garden	Sweden	46 35 10 0000
Hydroturf Int. Co	Dubai United Arab Emirates	97 14 347 9479
Hydroturf Egypt LLC	Egypt	202 519 4308
Ibea S.p.A.	Italy	39 0331 853611
Irriamc	Portugal	351 21 238 8260
Jean Heybroek b.v.	Netherlands	31 30 639 4611
Lely (U.K. ) Limited	United Kingdom	44 1480 226 800
Maquiver S.A.	Colombia	57 1 236 4079
Maruyama Mfg. Co. Inc.	Japan	81 3 3252 2285
Metra Kft	Hungary	36 1 326 3880
Mountfield a.s.	Czech Republic	420 255 704 220
Munditol S.A.	Argentina	54 11 4 821 9999
Oslinger Turf Equipment SA	Ecuador	593 4 239 6970
Oy Hako Ground and Garden Ab	Finland	358 987 00733
Parkland Products Ltd	New Zealand	64 3 34 93760
Prochaska & Cie	Austria	43 1 278 5100
RT Cohen 2004 Ltd	Israel	972 986 17979
Riversa	Spain	34 9 52 83 7500
Roth Motorgerate GmBh & Co	Germany	49 7144 2050
Sc Svend Carlsen A/S	Denmark	45 66 109 200
Solvert S.A.S	France	33 1 30 81 77 00
Spypros Stavrinides Limited	Cyprus	357 22 434131
Surge Systems India Limited	India	91 1 292299901
T-Markt Logistics Ltd	Hungary	36 26 525 500
Toro Australia	Australia	61 3 9580 7355
Toro Europe BVBA	Belgium	32 14 562 960

### Condizioni e prodotti coperti

The Toro® Company e la sua affiliata, Toro Warranty Company garantiscono all'acquirente originale\*, ai sensi di un accordo tra di loro siglato, la riparazione di qualsiasi prodotto Toro utilizzato a normale uso residenziale\* qualora esso presentasse difetti di materiale o lavorazione. I seguenti periodi di tempo vengono applicati dalla data d'acquisto originale:

#### Prodotti

Tosaerba elettrici con operatore a piedi  
Rider con motore posteriore  
Trattori per tappeti erbosi e giardini  
Prodotti elettrici portatili  
Spazzaneve  
Consumer Zero Turn

#### Periodo di garanzia

Garanzia limitata di due anni  
Garanzia limitata di due anni  
Garanzia limitata di due anni  
Garanzia limitata di due anni  
Garanzia limitata di due anni

\* "Acquirente originale" significa la persona che ha acquistato i prodotti Toro originariamente.

\* "Normale uso residenziale" significa l'uso del prodotto sul lotto della vostra abitazione. L'utilizzo in più luoghi è considerato uso commerciale, ed in questo caso viene applicata la garanzia per uso commerciale.

### Garanzia limitata per uso commerciale

I prodotti e gli accessori Consumer Toro utilizzati a scopo commerciale, istituzionale o per noleggio sono garantiti esenti da difetti di materiale e lavorazione per i seguenti periodi di tempo dalla data d'acquisto originale:

#### Prodotti

Tosaerba elettrici con operatore a piedi  
Rider con motore posteriore  
Trattori per tappeti erbosi e giardini  
Prodotti elettrici portatili  
Spazzaneve  
Consumer Zero Turn

#### Periodo di garanzia

Garanzia di 90 giorni  
Garanzia di 90 giorni  
Garanzia di 90 giorni  
Garanzia di 90 giorni  
Garanzia di 90 giorni  
Garanzia di 45 giorni

### Istruzioni per ottenere il servizio in garanzia

Se credete che il vostro prodotto Toro presenti un difetto di materiale o lavorazione, procedete come segue.

1. Per la revisione del prodotto rivolgetevi al rivenditore di zona. Se per un qualsiasi motivo non fosse possibile contattare il vostro rivenditore di zona, per la revisione del prodotto potete rivolgervi a un distributore autorizzato Toro.
2. Portate il prodotto e la prova d'acquisto (ricevuta di vendita) dove lo avete acquistato o al Centro Assistenza.

Se per qualsiasi motivo non siete soddisfatti dell'analisi o del servizio del Centro Assistenza, contattate l'importatore Toro oppure noi stessi al:

Customer Care Department, Consumer Division  
Toro Warranty Company  
8111 Lyndale Avenue South  
Bloomington, MN 55420-1196  
Manager: Assistenza tecnica prodotti: 001-952-887-8248

Verdere l'acclusa lista dei distributori.

### Responsabilità del proprietario

In veste di proprietario dovete mantenere il vostro prodotto Toro osservando le procedure di manutenzione riportate nel manuale dell'operatore. La manutenzione ordinaria è a vostro carico, sia essa eseguita da un concessionario o da voi stesso.

### Articoli e condizioni non coperti da garanzia

Quanto segue è escluso dalla presente espressa garanzia.

- Il costo della regolare manutenzione e di ricambi tipo filtri, carburante, lubrificanti, parti per la messa a punto, affilatura lame e regolazione della frizione.
- Qualsiasi prodotto o pezzo modificato o impropriamente utilizzato, o che debba essere sostituito o riparato a causa di normale usura, incidenti o mancanza di corretta manutenzione.
- Le riparazioni necessarie a causa dell'uso di carburante inadatto, presenza di sostanze inquinanti nel sistema di alimentazione o mancanza di un'adeguata preparazione del sistema di alimentazione prima di pause di utilizzo di oltre tre mesi.
- Motore e trasmissione, che sono coperti dalle pertinenti garanzie del produttore, con clausole e condizioni a parte.

Tutte le riparazioni coperte dalla presente garanzia devono essere eseguite da un Centro Assistenza Toro autorizzato, utilizzando parti di ricambio Toro approvate.

### Condizioni generali

L'acquisto è coperto dalle leggi nazionali di ciascun paese. La presente garanzia non limita i diritti riservati all'acquirente da tali leggi.



# 34 cm en 41 cm Eurocycler™ elektrische gazonmaaiers

Model No. 21080—Serial No. 270A00001 and Up

Model No. 21081—Serial No. 270B00001 and Up

Model No. 21082—Serial No. 270C00001 and Up

Model No. 21090—Serial No. 270D00001 and Up

Model No. 21091—Serial No. 270E00001 and Up

Model No. 21092—Serial No. 270F00001 and Up

## Operator's Manual

## Contents

Introduction.....	1
Safety .....	1
Veilige bediening .....	2
Geluidsdruk .....	2
Geluidsniveau.....	3
Trilling op handen/armen .....	3
.....	3
Afgedankte elektrische en elektronische apparatuur (AEEA).....	3
Safety and Instructional Decals .....	3
Setup.....	3
1.De handgreep uitklappen.....	3
2.Grasvanger assembleren .....	4
Product Overview .....	5
Specifications .....	6
Operation.....	6
Verlengsnoer bevestigen.....	6
Maai patroon bepalen.....	7
De motor starten.....	7
De motor afzetten .....	7
Maaihoogte instellen.....	7
Maaisel opvangen.....	8
Maaitips .....	9
Maintenance.....	9
Dubbelgeïsoleerde apparaten.....	9
Maaikast reinigen.....	9
Onderhoud van het maaimes .....	10
Onderhoud van het In-/Uitschakelsysteem en de mesrem .....	11
Storage.....	11
Troubleshooting.....	12

## Introduction

Deze gazonmaaier is uitsluitend bedoeld voor particulier gebruik en huishoudelijke doeleinden. De machine mag niet worden gebruikt voor commerciële doeleinden op openbare groenvoorzieningen.

Wij danken u vriendelijk voor uw keuze van een Toro elektrische gazonmaaier voor huishoudelijk gebruik.

Lees deze handleiding zorgvuldig, zodat u weet hoe u de maaier op de juiste wijze kunt gebruiken en onderhouden. De informatie in deze handleiding kan u en anderen helpen letsel en schade te voorkomen. Hoewel Toro Toro veilige producten ontwerpt en fabriceert, blijft u verantwoordelijk voor het juiste en veilige gebruik van de machine.

De voorschriften voor het gebruik van maaimachines verschillen per land of regio. Wij adviseren u contact op te nemen met de plaatselijke autoriteiten voor informatie over voorschriften en beperkingen met betrekking tot de toegestane maaitijden in regio.

## Safety

Het is belangrijk dat u deze handleiding eerst leest en begrijpt voordat u de motor start.

**⚠**Dit is het veiligheidssymbool. Het wordt gebruikt om uw attent te maken op mogelijk risico's op lichamelijk letsel. Houd u aan alle veiligheidsberichten bij dit symbool teneinde lichamelijk of zelfs dodelijk letsel te voorkomen.

Onjuist gebruik of onderhoud van deze gazonmaaier kan letsel of de dood veroorzaken. Om dit risico te verminderen, dient u zich aan de volgende instructies te houden.



Om het risico van brand, elektrische schok of lichamelijk letsel te verminderen bij het gebruik van deze machine, moet altijd u deze veiligheidsinstructies opvolgen.

De volgende veiligheidsinstructies zijn ontleend aan de Europese norm EN 836:1997 en CEI/IEC 60335-77:2001:



# Veilige bediening

## Algemene informatie

- Lees deze handleiding aandachtig door voordat u de maaimachine gaat gebruiken. Zorg ervoor dat u vertrouwd raakt met bedieningsorganen en weet hoe u de machine moet gebruiken.
- U dient erop toe te zien dat de machine niet door kinderen wordt bediend of door volwassenen die niet van de instructies op de hoogte zijn. Voor de bestuurder kan een wettelijke minimumleeftijd gelden.
- Houd iedereen weg uit het gebied waarin u de machine gebruikt, met name kinderen en huisdieren.
- De bestuurder of gebruiker is verantwoordelijk voor ongevallen of schade aan andere personen of hun eigendommen.

## Vóór ingebruikname

- Draag tijdens het maaien altijd een lange broek en stevige schoenen. Draag geen schoenen met open tenen en loop niet op blote voeten.
- Inspecteer het terrein waarop u de maaimachine gaat gebruiken grondig en verwijder eventuele voorwerpen die door de machine kunnen worden uitgeworpen.
- Controleer altijd voor het gebruik het mes, de mesbouten en het maaimechanisme op sporen van slijtage of beschadiging. Vervang versleten of beschadigde messen en bouten altijd als complete set om een goede balans te behouden.
- Toro beveelt aan de maaier te voorzien van een netvoedingapparaat met een uitschakelstroom van maximaal 30 mA.
- Gebruik uitsluitend een verlengsnoer van 1,00 mm<sup>2</sup> met een lengte van maximaal 30 m die geschikt is voor gebruik buitenshuis (indien van toepassing).

## Gebruik

- Maai uitsluitend bij daglicht of goed kunstlicht.
- Gebruik indien mogelijk de machine niet op een nat gazon.
- Zorg dat u op hellingen altijd stevig staat.
- Loop stapvoets; nooit rennen.
- Met een cirkelmaaier dwars op hellingen maaien, nooit heuvel op en af.
- Ga zeer zorgvuldig te werk als u van richting verandert op een helling.
- Maai niet op al te steile hellingen.
- Ga zeer voorzichtig te werk als u de maaier omkeert of naar u toetrekt.

- Schakel de machine uit als u deze van het ene naar het andere werkgebied overbrengt. Zorg ervoor dat het mes stilstaat als u de maaier van het gazon af rijdt.
- Gebruik de gazonmaaier nooit met defecte beschermplaten of zonder dat de beveiligingen, zoals veiligheidsschermen en/of grasvangers, op hun plaats zitten.
- Start de motor voorzichtig volgens de instructies en houd uw voeten een eind uit de buurt van het mes.
- Houd de gazonmaaier nooit schuin als u de motor start, behalve als u de machine schuin moet houden om te starten. Houd de machine in dat geval niet schuiner dan nodig is, en til alleen de zijde op die het verst van u verwijderd is. U moet beide handen altijd in de bedrijfsstand houden voordat u de machine weer op de grond zet.
- Houd handen en voeten uit de buurt van draaiende onderdelen. Blijf altijd uit de buurt van de afvoeropening.
- U mag een gazonmaaier nooit optillen of dragen terwijl de motor loopt.
- Trek de stekker uit het stopcontact:
  - als u de machine achterlaat;
  - voordat u verstoppingen verwijdert of het uitwerpkanaal ontstopt;
  - voordat u de machine controleert, reinigt of daaraan werkzaamheden verricht;
  - als u een vreemd voorwerp raakt. Controleer de machine op beschadigingen en voer alle benodigde reparaties uit alvorens deze weer te gebruiken;
  - als de machine abnormaal begint te trillen (direct controleren).

## Onderhoud en stalling

- Draai alle moeren, bouten en schroeven regelmatig strak aan, zodat de machine steeds veilig kan worden gebruikt.
- Controleer de grasvanger regelmatig op slijtage en mankementen.
- Vervang versleten of beschadigde onderdelen met het oog op een veilig gebruik.
- Controleer of bij een vervanging het goede maaimes is gemonteerd.
- Gebruik ter vervanging uitsluitend originele onderdelen en accessoires van Toro.

## Geluidsdruk

Deze machine oefent een geluidsdruk van 83 dBA uit op het gehoor van de gebruiker, gebaseerd op

metingen bij identieke machines volgens EN 11201 procedures.

## Geluidsniveau

Deze machine heeft een geluidsniveau van 96 dBA, gebaseerd op metingen bij identieke machines volgens EN 11094 procedures.

## Trilling op handen/armen

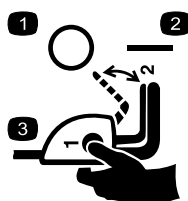
Deze machine heeft een maximaal trillingsniveau van 4,8 m/s<sup>2</sup> op de handen en armen, gebaseerd op metingen bij identieke machines volgens procedures zoals vastgelegd in EN 836.

## Afgedankte elektrische en elektronische apparatuur (AEEA)

	<ul style="list-style-type: none"> <li>• Volgens EU-richtlijn 2002/96/EG is dit product een elektrisch of elektronisch apparaat.</li> <li>• Verwijder dit apparaat <b>niet</b> als ongesorteerd stedelijk afval.</li> <li>• Breng dit apparaat naar een inzamelpunt of recyclingbedrijf overeenkomstig de plaatselijke of nationale wettelijke voorschriften.</li> <li>• De consument speelt een belangrijke rol bij de beperking van de hoeveelheid afval door afgedankte elektronische/elektrische apparatuur in te leveren voor recycling.</li> <li>• Recycling voorkomt dat gevaarlijke stoffen worden verspreid in de stedelijke afvalstroom.</li> <li>• Het symbool voor gescheiden inzameling van elektrisch en elektronische apparatuur is een doorgekruste afvalbak; dit herinnert de gebruiker eraan dit product niet te verwijderen als ongesorteerd stedelijk afval.</li> </ul>
--	---

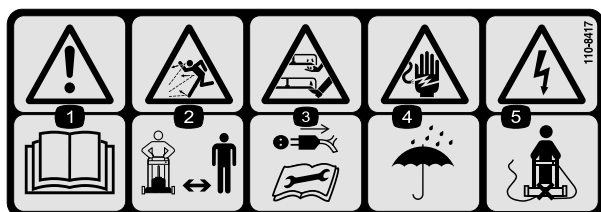
## Safety and Instructional Decals

**Important:** Veiligheidsstickers en veiligheidsinstructies bevinden zich bij plaatsen waar gevaar kan ontstaan. Vervang verdwenen of beschadigde stickers.



110-1168

1. UIT
2. AAN
3. Om de maaimachine te starten, moet u de knop ingedrukt houden terwijl u de bedieningsstang naar achteren trekt.



110-8417

1. Waarschuwing—Lees de *Gebruikershandleiding*.
2. De machine kan voorwerpen uitwerpen—Houd omstanders op een veilige afstand van de machine.
3. Kijk uit! Raak een draaiend mes niet aan! Haal het netsnoer uit het stopcontact en lees de instructies alvorens service- of onderhoudswerkzaamheden uit te voeren.
4. Gevaar voor elektrische schok—Stel de machine niet bloot aan regen en andere vochtige omstandigheden.
5. Risico van elektrische schok, stroomsnoer kan worden doorsneden—Duw de machine nooit over het stroomsnoer.

## Setup

**Note:** Sluit de maaier pas aan op een voedingsbron als deze geheel is geassembleerd.

### 1. De handgreep uitklappen

#### Procedure

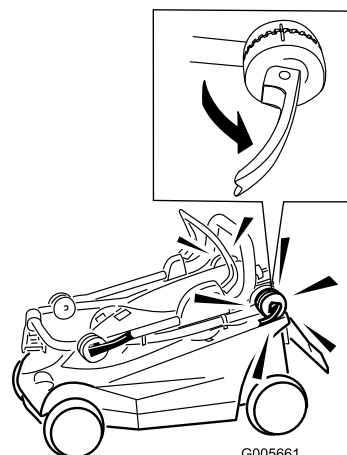


Figure 1

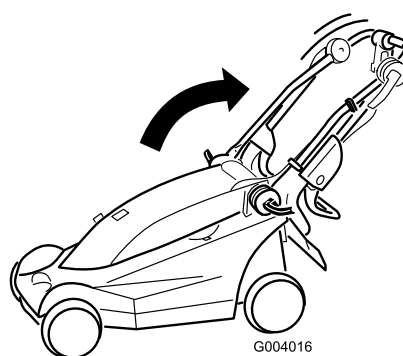
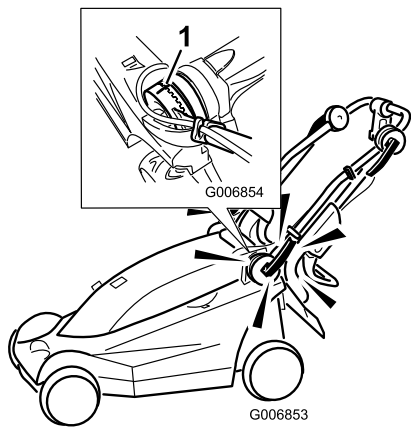
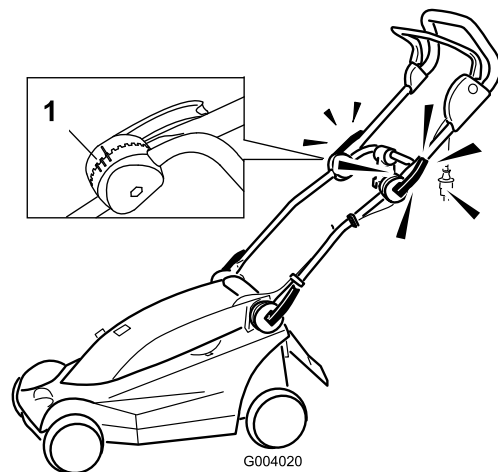


Figure 2



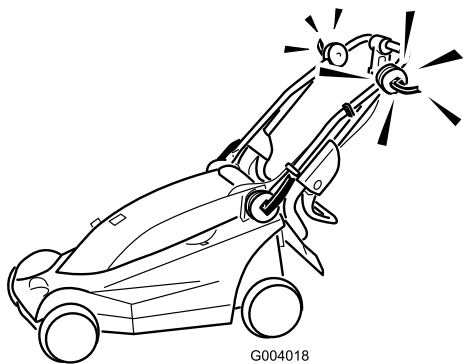
**Figure 3**

1. Houd de merktekens op één lijn.

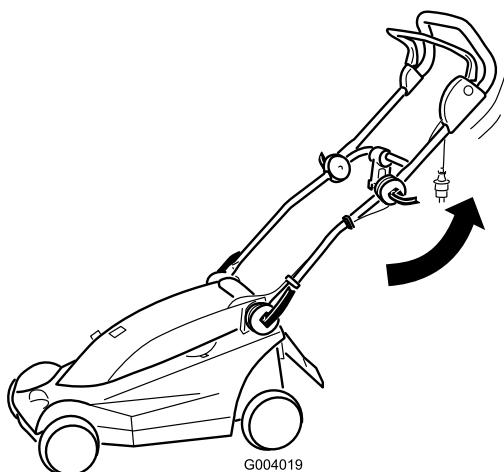


**Figure 6**

1. Merktekens voor de stand van de handgreep



**Figure 4**



**Figure 5**

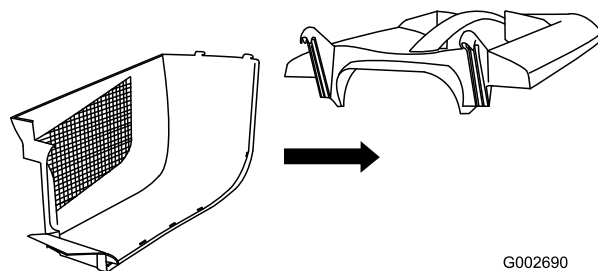
**Note:** U kunt de bovenste handgreep in een van de drie standen zetten. Zet het merkteken op een lijn met een van de drie merktekens op de binnenkant van de vergrendeling van de bovenste handgreep (Figure 6).

## 2. Grasvanger assembleren

### Procedure

**Important:** Voer de stappen uit in de getoonde volgorde.

1. Schuif de zijkant in de vergrendelingen in de bovenkant (Figure 7).



**Figure 7**

2. Schuif de andere zijkant in de vergrendelingen in de bovenkant en zet de achterzijde van beide zijkanten aan elkaar vast (Figure 8).

# Product Overview

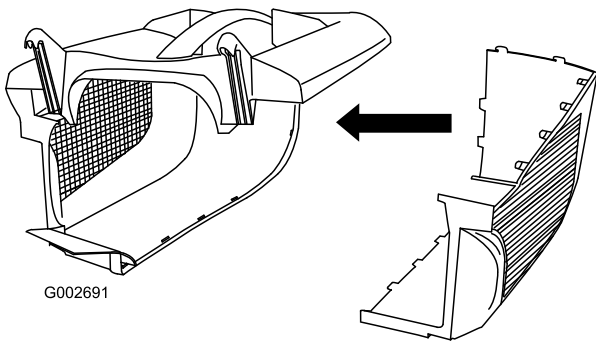


Figure 8

3. Houd het overblijvende deel van de zijanten tegenover elkaar en druk ze, beginnend vanaf de achterzijde, aan elkaar vast (Figure 9).

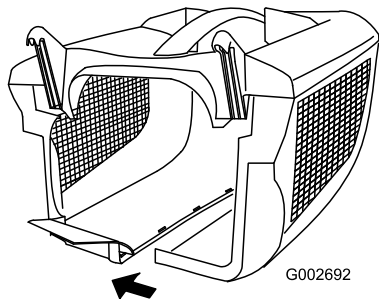


Figure 9

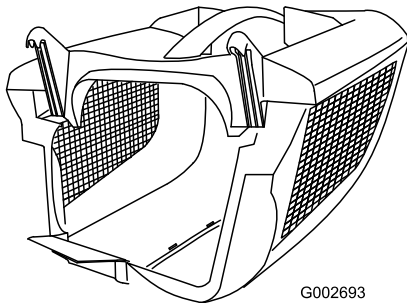


Figure 10

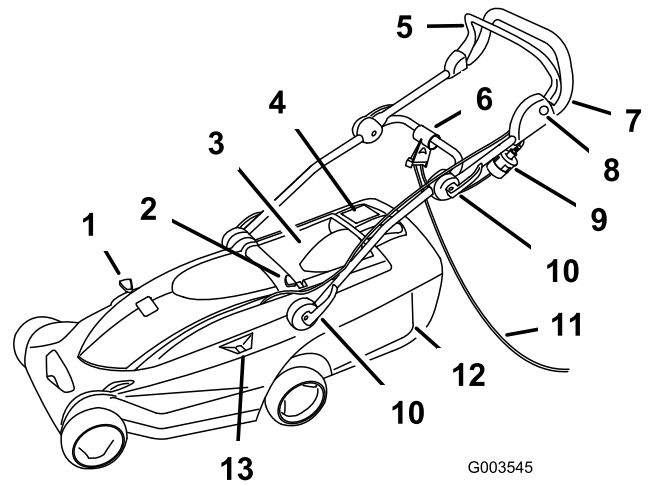


Figure 11

- |                                      |                                     |
|--------------------------------------|-------------------------------------|
| 1. Hendel voor recycling/opvangen    | 8. Knop                             |
| 2. Maaihoogteknop                    | 9. Stekker                          |
| 3. Achterklep                        | 10. Handgreepvergrendelingen (4)    |
| 4. Volstand-indicator van grasvanger | 11. Verlengsnoer (niet meegeleverd) |
| 5. Bedieningsstang                   | 12. Grasvanger                      |
| 6. Snoerhouder                       | 13. Maaihoogte-indicator            |
| 7. Handgreep                         |                                     |

# Specifications

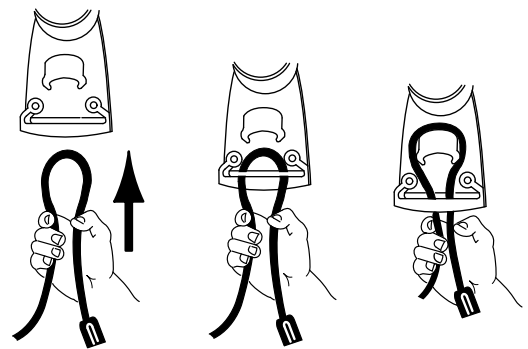
Type	21080	21081	21082	21090	21091	21092
Gewicht	16 kg	17 kg	16 kg	19 kg	20 kg	19 kg
Lengte	137 cm	137 cm	137 cm	145 cm	145 cm	145 cm
Breedte	39 cm	39 cm	39 cm	45 cm	45 cm	45 cm
Nominale maaibreedte	34 cm	34 cm	34 cm	41 cm	41 cm	41 cm
Nominale maaihoogtebereik	20 tot 75 mm	20 tot 75 mm	20 tot 75 mm	20 tot 75 mm	20 tot 75 mm	20 tot 75 mm
Inhoud grasvanger	32 l	32 l	32 l	40 l	40 l	40 l
Nominaal motortoerental	3000 tpm	3000 tpm	3000 tpm	3000 tpm	3000 tpm	3000 tpm
Voltage en frequentie	230 V/ 50 Hz	230 V/ 50 Hz	230 V/ 50 Hz	230 V/ 50 Hz	230 V/ 50 Hz	230 V/ 50 Hz
Hydraulisch bekrachtigd	1,2 kW	1,2 kW	1,2 kW	1,2 kW	1,2 kW	1,2 kW

## Operation

### Verlengsnoer bevestigen

**Note:** Hieronder volgt de procedure voor machines waarvoor een verlengsnoer nodig is.

Gebruik uitsluitend een verlengsnoer dat is aanbevolen voor gebruik buitenshuis.



G002648

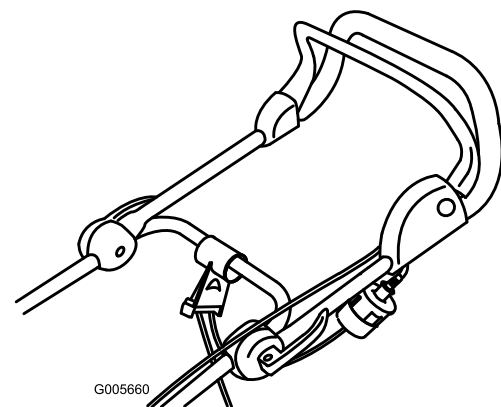
Figure 12

**Contact met water tijdens het maaien kan een elektrische schok veroorzaken die letsel of de dood tot gevolg kan hebben.**

- Raak de stekker of de machine niet aan als u natte handen heeft of u in water staat.
- Gebruik uitsluitend een verlengsnoer dat is aanbevolen voor gebruik buitenshuis bij koud weer.

1. Leg een lus in het verlengsnoer en zet dit vast in de snoerhouder (Figure 12).

2. Sluit het verlengsnoer aan op de maaier (Figure 13).



G005660

Figure 13

**Note:** Maak het verlengsnoer niet los door aan het snoer te trekken; pak hierbij de stekker beet, niet het snoer.



Het elektriciteitsnoer kan beschadigd raken en een schok of brand veroorzaken.

Controleer het snoer grondig voordat u de maaier gaat gebruiken. Als het snoer is beschadigd, mag u de machine niet gebruiken. Laat onmiddellijk een erkende Toro Service Dealer een beschadigd snoer vervangen of repareren.

## Maaipatroon bepalen

Als u het voorgestelde maaipatroon volgt, vermindert u het risico dat u met de machine over het snoer rijdt, en zal het snoer niet onnodig slijten. Zorg ervoor dat het elektriciteitsnoer niet rond bomen, struiken en andere obstakels wordt gewikkeld.

Begin met maaien bij de elektrische voedingsbron. Maai heen en weer en geleidelijk aan steeds verder van de voedingsbron (Figure 14).

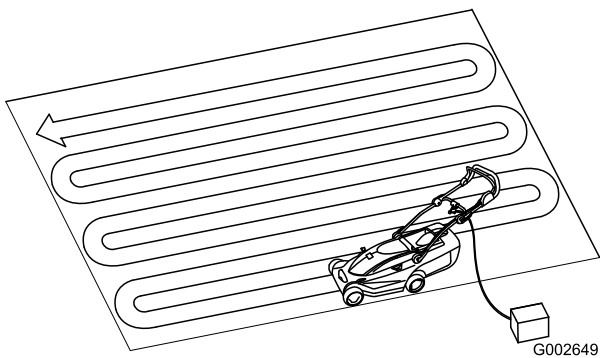


Figure 14

## De motor starten

1. Sluit het verlengsnoer aan op de machine (indien van toepassing).
2. Steek het ene uiteinde van het snoer in een gewoon stopcontact.
3. Druk op de knop op de linkerkant van de handgreep en houd deze ingedrukt (Figure 15).

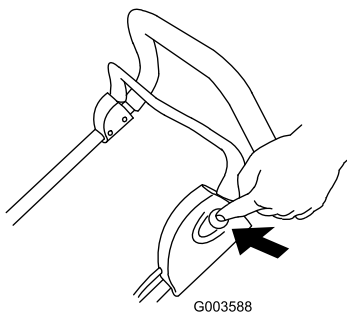


Figure 15

4. Terwijl u de knop ingedrukt houdt, drukt u de bedieningsstang tegen de handgreep (Figure 16).

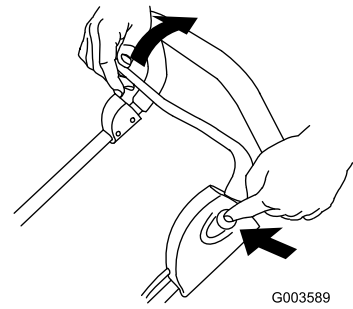


Figure 16

5. Houd de bedieningsstang tegen de handgreep en laat de knop los (Figure 17).

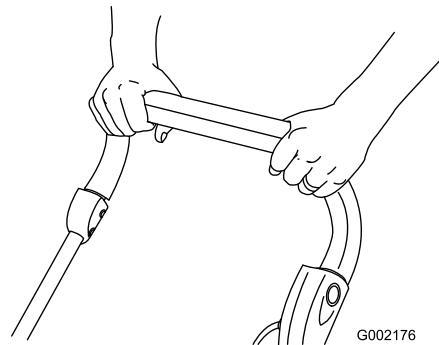


Figure 17

## De motor afzetten

1. Zet de bedieningsstang vrij (Figure 18).

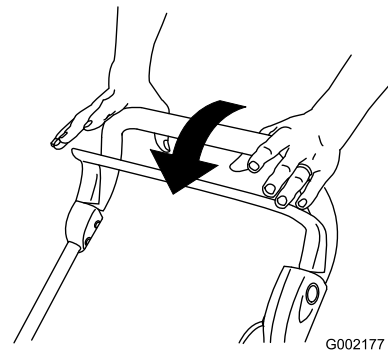


Figure 18

2. Trek de stekker uit het stopcontact als u de machine onbeheerd achterlaat.

## Maaihogte instellen

De gazonmaaier kan op 6 maaiahogten worden ingesteld (alle maaiahogten zijn bij benadering aangegeven): A = 20 mm; B = 31 mm; C = 42 mm; D = 53 mm; E = 64 mm; en F = 75 mm.



Bij het verstellen van een maaihoogtehendel kunnen uw handen en voeten in aanraking komen met een bewegend mes. Dit kan ernstig letsel veroorzaken.

Zet de motor af en wacht tot alle bewegende delen tot stilstand zijn gekomen voordat u de maaihoogte wijzigt.

1. Zet de motor af en wacht totdat alle bewegende onderdelen tot stilstand gekomen zijn.
2. Druk met uw duim op de maaihoogteknop en duw de maaihoogtehendel omhoog of omlaag op de gewenste maaihoogte zoals wordt getoond op de maaihoogte-indicator (Figure 19).

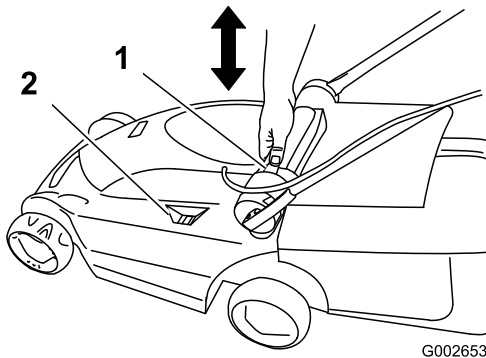


Figure 19

1. Maaihoogteknop
2. Maaihoogte-indicator

3. Laat de maaihoogteknop los.

## Maaisel opvangen

Monteer de grasvanger om het maaisel te verzamelen.

1. Til de achterklep omhoog en monteer de grasvanger aan de maaier (Figure 20).

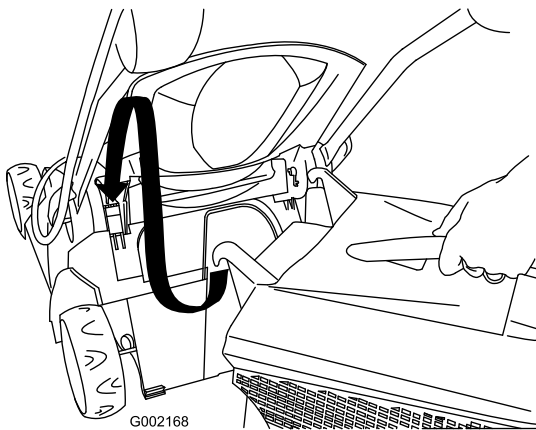


Figure 20

2. Laat de achterklep los.

3. Zet de hendel voor recycling/opvangen in de opvangmodus (Figure 21).

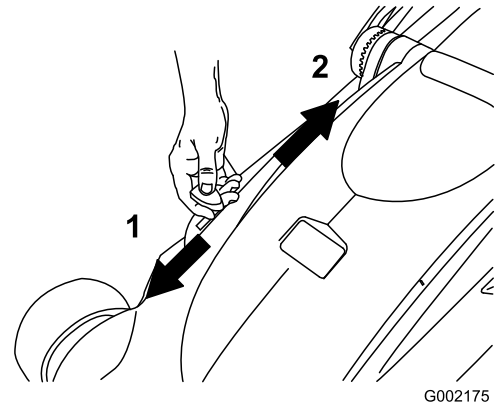


Figure 21

1. Opvangmodus
2. Recycling (mulching) - modus
3. Hendel voor recycling/opvangen

4. Maai met de gemonteerde grasvanger totdat de volstand-indicator van de grasvanger aangeeft dat deze vol is (Figure 22).

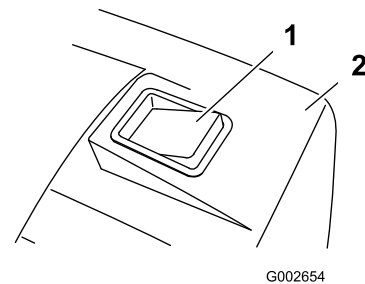


Figure 22

1. Volstand-indicator van grasvanger (grasvanger is vol)
2. Grasvanger

5. Verwijder de grasvanger van de machine en gooi deze leeg.

**Note:** Als u het maaisel niet wilt opvangen maar wilt fijnmaken en "recyclen", moet u de hendel voor recycling/opvangen in de recycling-modus (Figure 21) zetten en de grasvanger verwijderen.

## Maaitips



Figure 23

Volg deze instructies als u gras maait, om de beste maairesultaten te verkrijgen en het gazon een zo fraai mogelijk uiterlijk te geven.

- Zorg ervoor dat u gedurende het hele maaiseizoen steeds met een **scherp maaimes** maait.
- **Maai alleen droog gras.** Nat gras gaan aankoeken, waardoor de maaier verstopt kan raken of de motor kan afslaan. Zij kunnen ook glad worden waardoor u kunt uitglijden en vallen.
- Laat de maaibanen elkaar ongeveer 4 cm overlappen als u afzonderlijke banen maait.
- Als u zeer hoog gras wilt maaien, begint u te maaien bij de maximale maaihoogte-instelling en een langzamere loopsnelheid. Vervolgens gaat u maaien bij een lagere afstelling om het gazon een zo fraai mogelijk uiterlijk te geven.
- Als u na het maaien niet tevreden bent over het uiterlijk van het gazon, adviseren wij een of een aantal van de volgende oplossingen te proberen:
  - Slijp het mes.
  - Loop langzamer tijdens het maaien.
  - Maai bij een hogere maaihoogte-instelling.
  - Maai het gras vaker.
  - Laat de maaibanen overlappen in plaats van steeds een volledig nieuwe baan te maaien.

## Maintenance


Toro heeft dit product ontworpen om u jarenlang probleemloos gebruik te bieden. Indien u service nodig hebt, kunt u het product naar een erkende Toro Service Dealer brengen.



Als de gazonmaaier is aangesloten op een gewoon stopcontact, is de machine gebruiksklaar. Iemand kan per ongeluk de motor starten waardoor de gebruiker of andere omstanders ernstig letsel kunnen oplopen.

Trek altijd de stekker uit het stopcontact als u de machine onbeheerd achterlaat.

## Dubbelgeïsoleerde apparaten

Bij dubbelgeïsoleerde apparaten worden twee isolatiesystemen gebruikt in plaats van aarding. Een dubbelgeïsoleerd apparaat is niet geaard en mag ook niet extra worden geaard. Het onderhoud van een dubbelgeïsoleerd apparaat vereist uiterste voorzichtigheid en een grondige kennis van het systeem en mag alleen worden uitgevoerd door vakbekwame onderhoudstechnici van een erkende Toro Service Dealer. Bij vervanging van onderdelen van een dubbelgeïsoleerd apparaat mogen alleen onderdelen worden gebruikt die identiek zijn aan de oorspronkelijke onderdelen. Een dubbelgeïsoleerd apparaat wordt aangeduid met de woorden "Dubbele Isolatie" of "Dubbel Geïsoleerd". Daarnaast kan het symbool (een vierkant binnen een vierkant)  zijn aangebracht op het apparaat.

## Maaikast reinigen

Na elk gebruik moet de maaikast worden gereinigd.

Alvorens de maaikast te reinigen, moet u de motor afzetten, wachten totdat alle bewegende onderdelen tot stilstand zijn gekomen en de stekker uit het stopcontact trekken.

**Important:** U mag de maaier nooit met water reinigen. Er kan dan vocht achterblijven in de machine waardoor corrosie van inwendige onderdelen kan ontstaan.

- De onderkant van de maaikast reinigen. Verwijder vuil en maaisel met een hardhouten schraper.
- Verwijder de rommel uit de ventilatieopeningen op de bovenkant van de machine.
- Borstel al het vuil van de maaikast.
- Controleer het aansluitpunt van de stekker op tekenen van smelting en verhitting. Oude



versleten stekkers van verlengsnoeren die los in het aansluitpunt zitten, kunnen oververhitting veroorzaken als gevolg van slecht contact. Versleten verlengsnoeren (indien van toepassing) moeten onmiddellijk worden vervangen.

## Onderhoud van het maaimes

Maai altijd met een scherp mes. Een scherp mes snijdt het gras gelijkmatig af zonder het te scheuren of te kwetsen.

Gebruik ter vervanging van een maaimes altijd een origineel Toro-mes.



Iemand kan per ongeluk de motor starten waardoor de gebruiker of andere omstanders ernstig letsel kunnen oplopen.

U mag het maaimes nooit inspecteren, verwijderen of vervangen zonder eerst de stekker uit het stopcontact te hebben getrokken.

1. Zet de motor af en wacht totdat alle bewegende onderdelen tot stilstand gekomen zijn.
2. Trek de stekker uit het stopcontact.
3. Kantel de maaier op een zijkant.
4. Controleer voorzichtig het maaimes op scherpte en slijtage, in het bijzonder op de plaats waar het platte en het gekromde deel samenkomen. Als u een slijtplek ontdekt, moet u het mes onmiddellijk vervangen.

**Note:** De beste resultaten krijgt u door een nieuw mes te monteren voordat het maaiseizoen begint. Kleine krasjes op het mes moet u hele seizoen door wegvijlen zodat u een goede snijkant blijft houden.



Een versleten of beschadigd mes kan breken en een stuk van het mes kan worden uitgeworpen in de richting van de gebruiker of omstanders en ernstig lichamelijk of dodelijk letsel toebrengen.

Controleer op gezette tijden het maaimes op slijtage of beschadigingen en vervang een versleten of beschadigd mes.

## Het maaimes verwijderen

1. Pak het uiteinde van het mes (Figure 24) vast met een lap of een dikgevoerde handschoen.

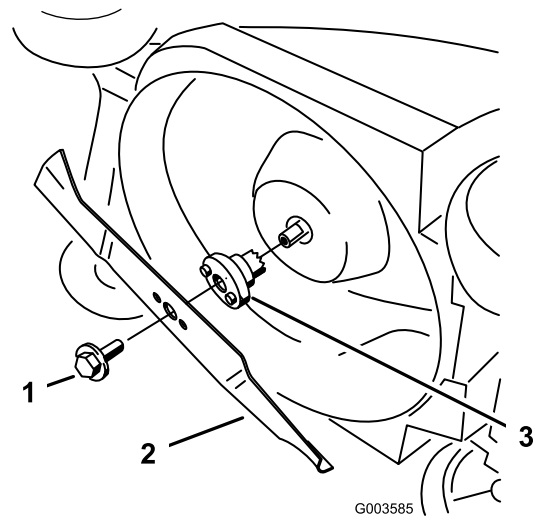


Figure 24

1. Mesbout
2. Mes
3. Tussenstuk voor maaimes

2. Verwijder de mesbout en het mes.

**Important:** Als het tussenstuk voor het maaimes losraakt, moet u dit monteren voordat u het mes en de mesbout plaatst. Als u zonder dit tussenstuk maait, zal de machine schade oplopen.

## Het maaimes slijpen

Gebruik een vijl om de bovenkant van het mes te slijpen. Houd de oorspronkelijke snijhoek in stand.

**Note:** Het mes blijft in balans als u evenveel materiaal weghaalt van beide snijkanten.

**Important:** Controleer de balans van het mes met een mesbalans. U kunt in elke ijzerwinkel voor weinig geld een mesbalans aanschaffen. Een mes dat in balans is, blijft in horizontale positie terwijl een mes dat niet in balans is, doorslaat naar de zware kant. Als het mes niet in evenwicht is, moet u meer metaal afvijlen van de snijrand aan de zware kant.

## Het dozerblad monteren

Monteer een scherp, gebalanceerd mes en de mesbout. Voor de juiste montage wijst het wiekgedeelte van het mes naar de bovenkant van de maaikast. Draai de mesbout vast met een torsie van 15 Nm.

# Onderhoud van het In-/Uitschakelsysteem en de mesrem

Als u de bedieningsstang loslaat, moeten de motor en het mes binnen 3 seconden stoppen. Telkens voordat u gaat maaien, moet u controleren of de bedieningsstang naar behoren werkt. Als het mes niet binnen 3 seconden stopt of u knarsend geluid van metaal op metaal hoort als de bedieningsstang loslaat, moet u contact opnemen met een erkende Toro Service Dealer. Dit wordt ook aangeraden als de machine hevig trilt tijdens het maaien.

## Storage

Stal de maaimachine op een koele, schone en droge plaats, buiten het bereik van kinderen. Dek de maaier af om deze schoon te houden en te beschermen.

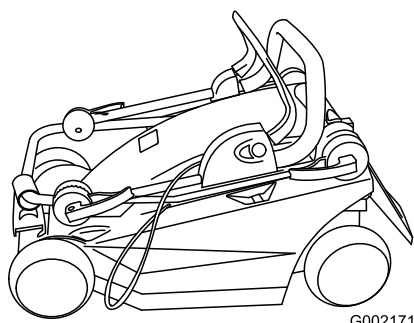


Figure 25

- 
1. Reinig de maaikast.
  2. Controleer de conditie van het maimes.

# Troubleshooting

<b>Problem</b>	<b>Possible Cause</b>	<b>Corrective Action</b>
De motor wil niet starten	<ol style="list-style-type: none"> <li>1. Het verlengsnoer is niet aangesloten op de maaier.</li> <li>2. Het verlengsnoer is beschadigd.</li> <li>3. De zekering of stroomonderbreker is doorgebrand.</li> </ol>	<ol style="list-style-type: none"> <li>1. Het verlengsnoer aansluiten op de machine en het andere uiteinde van het snoer in een gewoon stopcontact steken.</li> <li>2. Het verlengsnoer controleren en repareren als het is beschadigd.</li> <li>3. Zekering of stroomonderbreker controleren.</li> </ol>
Motor start moeilijk of verliest vermogen	<ol style="list-style-type: none"> <li>1. Het uitwerpkanal van de maaier is verstopt.</li> <li>2. De onderkant van de maaikast moet worden gereinigd.</li> <li>3. De maaihoogte is te laag.</li> </ol>	<ol style="list-style-type: none"> <li>1. Het uitwerpkanal van de maaier schoonmaken.</li> <li>2. De onderkant van de maaikast reinigen.</li> <li>3. Zet de machine in een hogere maaistand en start de motor opnieuw.</li> </ol>
De maaier of motor trilt abnormaal.	<ol style="list-style-type: none"> <li>1. Het mes is niet in balans.</li> <li>2. De bevestigingsbout van het maimes zit los.</li> <li>3. Het uitwerpkanal van de maaier is verstopt.</li> <li>4. De onderkant van de maaikast moet worden gereinigd.</li> <li>5. De bevestigingsbouten van de motor zitten los.</li> </ol>	<ol style="list-style-type: none"> <li>1. Het mes balanceren.</li> <li>2. De bevestigingsbout van het maimes vastdraaien.</li> <li>3. Het uitwerpkanal van de maaier schoonmaken.</li> <li>4. De onderkant van het maaidek reinigen.</li> <li>5. De bevestigingsbouten van de motor vastdraaien.</li> </ol>
Ongelijkmatig maaipatroon	<ol style="list-style-type: none"> <li>1. Het mes is bot en niet in balans.</li> <li>2. U maait steeds in hetzelfde patroon.</li> <li>3. De onderkant van de maaikast moet worden gereinigd.</li> </ol>	<ol style="list-style-type: none"> <li>1. Mes slijpen en balanceren.</li> <li>2. In een ander patroon maaien.</li> <li>3. De onderkant van het maaidek reinigen.</li> </ol>
Uitwerpkanal verstopt	<ol style="list-style-type: none"> <li>1. De maaihoogte is te laag.</li> <li>2. U probeert nat gras te maaien.</li> <li>3. De onderkant van de maaikast moet worden gereinigd.</li> </ol>	<ol style="list-style-type: none"> <li>1. Instellen op een hogere maaistand.</li> <li>2. Het gras eerst laten drogen voordat u gaat maaien.</li> <li>3. De onderkant van het maaidek reinigen.</li> </ol>

## International Distributor List—Consumer Products

<b>Distributor:</b>	<b>Country:</b>	<b>Phone Number:</b>
Atlantis Su ve Sulama Sistemleri Lt	Turkey	90 216 344 86 74
Balama Prima Engineering Equip	Hong Kong	852 2155 2163
B-Ray Corporation	Korea	82 32 551 2076
Casco Sales Company	Puerto Rico	787 788 8383
Ceres S.A	Costa Rica	506 239 1138
CSSC Turf Equipment (pvt) Ltd	Sri Lanka	94 11 2746100
Cyril Johnston & Co	Nothern Ireland	44 2890 813 121
Equiver	Mexico	52 55 539 95444
Femco S.A.	Guatemala	502 442 3277
G.Y.K. Company Ltd.	Japan	81 726 325 861
Geomechaniki of Athens	Greece	30 10 935 0054
Guandong Golden Star	China	86 20 876 51338
Hako Gorund and Garden	Sweden	46 35 10 0000
Hydroturf Int. Co	Dubai United Arab Emirates	97 14 347 9479
Hydroturf Egypt LLC	Egypt	202 519 4308
Ibea S.p.A.	Italy	39 0331 853611
Irriamc	Portugal	351 21 238 8260
Jean Heybroek b.v.	Netherlands	31 30 639 4611
Lely (U.K. ) Limited	United Kingdom	44 1480 226 800
Maquiver S.A.	Colombia	57 1 236 4079
Maruyama Mfg. Co. Inc.	Japan	81 3 3252 2285
Metra Kft	Hungary	36 1 326 3880
Mountfield a.s.	Czech Republic	420 255 704 220
Munditol S.A.	Argentina	54 11 4 821 9999
Oslinger Turf Equipment SA	Ecuador	593 4 239 6970
Oy Hako Ground and Garden Ab	Finland	358 987 00733
Parkland Products Ltd	New Zealand	64 3 34 93760
Prochaska & Cie	Austria	43 1 278 5100
RT Cohen 2004 Ltd	Israel	972 986 17979
Riversa	Spain	34 9 52 83 7500
Roth Motorgerate GmBh & Co	Germany	49 7144 2050
Sc Svend Carlsen A/S	Denmark	45 66 109 200
Solvert S.A.S	France	33 1 30 81 77 00
Spypros Stavrinides Limited	Cyprus	357 22 434131
Surge Systems India Limited	India	91 1 292299901
T-Markt Logistics Ltd	Hungary	36 26 525 500
Toro Australia	Australia	61 3 9580 7355
Toro Europe BVBA	Belgium	32 14 562 960



## Toro Warranty

### Voorwaarden en producten waarvoor de garantie geldt

The Toro® Company en de hieraan gelieerde onderneming, Toro Warranty Company, geven de oorspronkelijke koper\* krachtens een overeenkomst tussen beide ondernemingen gezamenlijk de garantie alle Toro producten die worden gebruikt voor normale huiselijke doeleinden\*, te zullen repareren als deze materiaalgebreken en fabricagefouten vertonen. De volgende perioden zijn van toepassing vanaf de datum van de oorspronkelijke aankoop:

Producten	Garantieperiode
Motorgazonmaaiers	2 jaar garantie
Riders	2 jaar garantie
Gazon- & Tuintractoren	2 jaar garantie
Elektrische trimmers en bladblazers	2 jaar garantie
Sneeuwruimers	2 jaar garantie
Zero Turn maaiers	2 jaar garantie

\* "Oorspronkelijke koper": de persoon die het Toro product oorspronkelijk heeft gekocht.

\* "Normale huiselijke doeleinden": gebruik van het product op het terrein dat bij uw huis hoort. Gebruik op meerdere locaties wordt beschouwd als commercieel gebruik. Hierop is de garantie voor commercieel gebruik van toepassing.

### Garantie voor commercieel gebruik

Toro Op consumentenproducten en werktuigen die worden gebruikt voor commerciële en institutionele doeleinden of worden verhuurd, wordt garantie verleend tegen materiaalgebreken en fabricagefouten gedurende de volgende perioden vanaf de datum van de oorspronkelijke aankoop:

Producten	Garantieperiode
Motorgazonmaaiers	90 dagen garantie
Riders	90 dagen garantie
Gazon- & Tuintractoren	90 dagen garantie
Elektrische trimmers en bladblazers	90 dagen garantie
Sneeuwruimers	90 dagen garantie
Zero Turn maaiers	45 dagen garantie

### Aanwijzingen voor aanvraag van garantieservice

Als u van mening bent dat een Toro product materiaalgebreken of fabricagefouten vertoont, moet u deze procedure volgen:

1. Neem contact op met de verkoper om het product te laten nakijken of te repareren. Als u om enige reden geen contact met de verkoper kunt opnemen, kunt u zich in verbinding stellen met een Erkende Service Dealer om het product door deze te laten nakijken of te repareren..
2. Breng het product met uw aankoopbewijs (kwitantie) naar de verkoper of de Service Dealer.

Als u om enige reden ontevreden bent over het onderzoek van de Service Dealer of de verleende hulp, verzoeken wij u contact op te nemen met deToro importeur of met ons op:

Customer Care Department, Consumer Division  
Toro Warranty Company  
8111 Lyndale Avenue South  
Bloomington, MN 55420-1196  
Manager: Technical Product Support: 001-952-887-8248

Zie bijgevoegde lijst met dealers

### Plichten van de eigenaar

U dient uw Toro product te onderhouden zoals wordt beschreven in de gebruikershandleiding. Dit routineonderhoud is voor uw rekening, ongeacht of dit wordt uitgevoerd door de dealer of uzelf.

### Zaken en gevallen die niet onder de garantie vallen

Buiten deze expliciete garantie vallen:

- Kosten van gewoon onderhoud of onderdelen, zoals filters, brandstof, smeermiddelen, afstelling van onderdelen, slijpen van maaimessen, afstelling van de rem en de koppeling.
- Elk product of onderdeel dat is veranderd of verkeerd is gebruikt of moet worden vervangen of worden gerepareerd als gevolg van normale slijtage, ongelukken of gebrekkig onderhoud.
- Reparatie die noodzakelijk is omdat de verkeerde brandstof, is gebruikt, vuil in het brandstofsysteem is terechtgekomen of het brandstofsysteem niet goed is voorbereid op een periode van buitengebruikstelling van langer dan drie maanden.
- Motor en transmissie. Deze vallen onder de toepasselijke fabrieksgarantie met aparte algemene voorwaarden.

Alle reparatiewerkzaamheden die onder deze garantie vallen, moeten worden uitgevoerd door een Erkende Toro Service Dealer, waarbij Toro goedgekeurde vervangingsonderdelen dienen te worden gebruikt.

### Algemene voorwaarden

De koper wordt beschermd door de nationale wetgeving van elk land. De rechten waarover de koper beschikt op grond van deze wetgeving, worden niet beperkt door deze garantie.



# Eurocycler™ 34 cm og 41 cm elektriske gressklippere

Modellnr. 21080—Serienr. 270A00001 og oppover

Modellnr. 21081—Serienr. 270B00001 og oppover

Modellnr. 21082—Serienr. 270C00001 og oppover

Modellnr. 21090—Serienr. 270D00001 og oppover

Modellnr. 21091—Serienr. 270E00001 og oppover

Modellnr. 21092—Serienr. 270F00001 og oppover

## Brukerhåndbok

## Innhold

Innledning.....	1
Sikkerhet.....	1
Regler for sikker bruk .....	2
Lydtrykk.....	2
Lydstyrke .....	3
Vibrasjon, hånd/arm.....	3
.....	3
Avhending av elektrisk/elektronisk utstyr (WEEE).....	3
Sikkerhets- og instruksjonsmerker .....	3
Montering.....	3
1.Folde ut håndtaket.....	3
2.Sette sammen gresskassen.....	4
Oversikt over produktet .....	5
Spesifikasjoner .....	5
Bruk.....	6
Sikring av skjøteledning .....	6
Planlegge ditt klippemønster.....	6
Starte motoren .....	6
Stoppe motoren .....	7
Justere klippehøyden .....	7
Samle opp gresset.....	7
Klippetips .....	8
Vedlikehold .....	9
Dobbelisolerte apparater .....	9
Rengjøre gressklipperhuset.....	9
Vedlikeholde kniven .....	9
Vedlikeholde på/av og knivbremsesystemet.....	10
Lagring.....	10
Feilsøking.....	11

måte. Informasjonen i denne håndboken kan hjelpe deg og andre å unngå person- og produktskade. Selv om Toro utformer og produserer sikre produkter, er du ansvarlig for å bruke produktet på en korrekt og trygg måte.

Forskrifter om bruk av gressklippere variere fra sted til sted. Forhør deg med lokale autoriteter om forskrifter og restriksjoner vedrørende tillatte klippetider i ditt område.

## Sikkerhet

Les og forstå innholdet i denne håndboken før du starter motoren.

**⚠** Dette er et sikkerhetsvarselssymbol. Det brukes for å varsle deg om mulige farer for personskade. Følg alle sikkerhetsmeldinger som følger dette symbolet for å unngå skader eller dødsulykker.

Feilaktig bruk eller vedlikehold av gressklipperen kan føre til personskade eller dødsfall. For å redusere muligheten for skader bør du følge sikkerhetsinstruksjonene nedenfor.



For å redusere faren for brann, elektrisk støt og personskader når du bruker denne elektriske gressklipperen må du alltid følge disse sikkerhetsinstruksjonene.

Følgende sikkerhetsinformasjon har blitt tilpasset fra de europeiske standardene EN 836:1997 og CEI/IEC 60335-77:2001.

## Innledning

Denne gressklipperen er utformet for privat bruk og kun på privat eiendom. Den skal ikke brukes for kommersielle formål på offentlig eiendom.

Takk for at du valgte en elektrisk gressklipper for privat bruk fra Toro. Les denne håndboken nøye, slik at du lærer å bruke og vedlikeholde gressklipperen på riktig

# Regler for sikker bruk

## Generell informasjon

- Les grundig gjennom bruksanvisningen. Gjør deg kjent med kontrollene og hvordan utstyret skal brukes.
- Barn eller personer som ikke er kjent med disse instruksjonene må ikke bruke gressklipperen. Undersøk evt. aldersgrense for bruk av dette utstyret.
- Du må aldri klippe mens andre personer, spesielt barn eller kjæledyr, befinner seg i nærheten.
- Føreren eller brukeren har ansvaret hvis andre personer eller deres eiendom utsettes for ulykker eller farer.

## Forberedelser

- Når du klipper, må du alltid ha på deg kraftig fottøy og langbukser. Ikke bruk maskinen uten sko eller med åpne sandaler.
- Foreta en grundig inspeksjon der maskinen skal brukes og fjern alle gjenstander som kan slenges opp i luften.
- Før bruk må du alltid sjekke at knivene, knivboltene og klippeenheten er i orden og fri for skader og slitasje. Skift ut en slitt eller skadet kniv og bolter i sett for å opprettholde balansen.
- Toro anbefaler at gressklipperen skal leveres med en startstrømsenhet (RCD) med en utløsningsstrøm på ikke mer enn 30 mA.
- Bruk kun skjøteledning i størrelse 1,00 mm<sup>2</sup> som ikke er mer enn 30 m lang og som egner seg for utendørs bruk (ved behov).

## Håndtering

- Gressklipperen må bare brukes i dagslys eller der det er god kunstig belysning.
- Unngå å bruke utstyret på vått gress, der det er mulig.
- Vær alltid sikker på hvor du setter føttene i skråninger.
- Gå, ikke løp.
- For roterende klippere med hjul skal du klippe på tvers av skråningen, ikke opp og ned.
- Vær ytterst forsiktig når du forandrer retning i skråninger.
- Ikke klipp i overdrevent bratte skråninger.
- Vær svært forsiktig når du rygger eller trekker gressklipperen mot deg.
- Slå av gressklipperen når den transportere fra ett arbeidsområde til et annet. Stopp kniven når du flytter gressklipperen av gresset.

- Bruk aldri gressklipperen med defekte skydd eller uten at alle monterte sikkerhetsinnretninger (for eksempel deflektorer og/eller gressoppsamlere) på plass.
- Slå motoren forsiktig på i henhold til instruksjonene og med føttene godt unna kniven.
- Ikke vipp gressklipperen når du slår på motoren, unntatt hvis gressklipperen må vippes for å startes. I dette tilfellet må ikke gressklipperen vippes mer enn absolutt nødvendig og løft kun den delen som er vendt bort fra operatøren. Sikre alltid at begge hendene er i driftsposisjon før du setter utstyret ned på bakken igjen.
- Hold hender og føtter borte fra roterende deler. Hold deg unna åpningen på utløpssjakten til enhver tid.
- Løft eller bær aldri en gressklipper mens motoren er i gang.
- Trekk ut støpselet fra kontakten:
  - når du går i fra gressklipperen,
  - før du fjerner en blokkering eller fjerner materiale fra sjakten,
  - før du kontrollerer, rengjør eller utfører arbeid på gressklipperen,
  - etter at maskinen har kjørt på en gjenstand, Undersøk om gressklipperen ble skadet, og reparer den før du starter den og bruker gressklipperen igjen,
  - hvis maskinen vibrerer unormalt mye (undersøk øyeblikkelig).

## Vedlikehold og oppbevaring

- Sørg for at alle mutre, bolter og skruer er godt tilstrammet, for å være sikker på at utstyret er trygt å bruke.
- Kontroller gressoppsamleren regelmessig og se etter skader eller slitasje.
- Skift alltid ut deler med skader eller slitasje for sikkerhets skyld.
- Kontroller at kun korrekte erstatningskniver benyttes.
- Kjøp utelukkende originale reservedeler og tilbehør fra Toro.

## Lydtrykk

Denne maskinen har et maks. lydtrykksnivå på 83 dBA ved operatørens øre, basert på måling av identiske maskiner i henhold til EN 11201.

## Lydstyrke

Denne maskinen har et garantert lydstyrkenivå på 96 dBA, basert på måling av identiske maskiner i henhold til EN 11094.

## Vibrasjon, hånd/arm

Denne maskinen overskrider ikke hånd-arm-vibrasjonsnivået på 4,8 m/s<sup>2</sup>, basert på måling av identiske maskiner i henhold til EN 836.

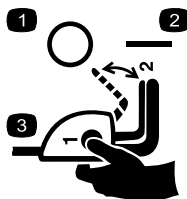
## Avhending av elektrisk/elektronisk utstyr (WEEE)



- EU-direktiv 2002/96/EF klassifiserer dette produktet som et elektrisk eller elektronisk verktøy.
- **Ikke** avhend dette verktøyet som usortert restavfall.
- Avhend verktøyet ved et kildesorterings- eller resirkuleringssted i henhold til lokalt og nasjonalt regelverk.
- Forbrukeren har en viktig rolle i forhold til reduksjon av avfall ved å levere elektrisk/elektronisk verktøy inn til resirkulering.
- Resirkulering gjør at en unngår spredning av farlig materiale i restavfallet.
- Sjøppelkassen med et kryss over er et symbol som påminner brukeren om å ikke avhende dette produktet som usortert restavfall.

## Sikkerhets- og instruksjonsmerker

**Viktig:** Sikkerhets- og instruksjonsmerker er plassert nær områder som utgjør en mulig fare. Erstatt skadde eller manglende merker.



110-1168

1. Av
2. På
3. For å starte gressklipperen, trykk på og hold inne knappen mens du trekker styrestangen bakover.



110-8417

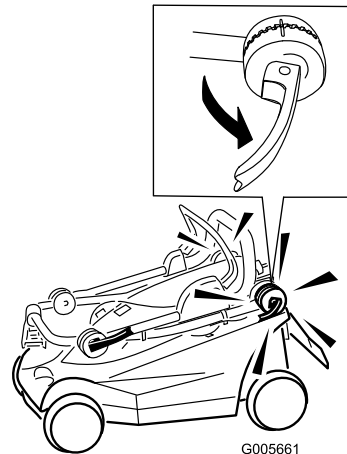
1. Advarsel – les *brugerhåndboken*.
2. Fare for at gjenstander slynges gjennom luften – hold trygg avstand fra maskinen.
3. Forsiktig, ikke rør roterende kniver! Koble strømledningen fra og les instruksjonene før du utfører service eller vedlikehold.
4. Fare for elektrisk støt – ikke bruk maskinen i regn og andre våte forhold.
5. Fare for elektrisk støt ved kutting av strømledning – ikke skyv maskinen over strømledningen.

## Montering

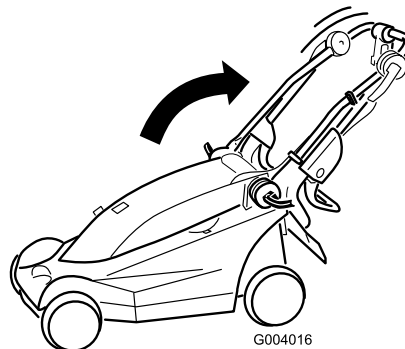
**Merk:** Ikke koble gressklipperen til strømkilden igjen før den er ferdig sammensatt.

### 1. Folde ut håndtaket

#### Prosedyre

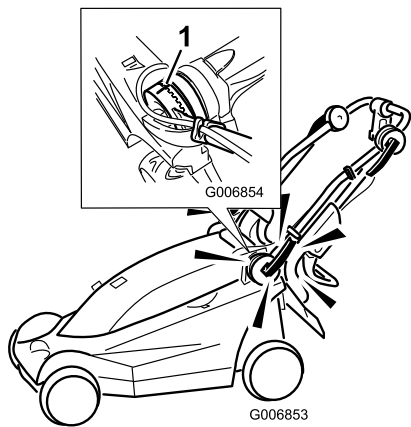


Figur 1



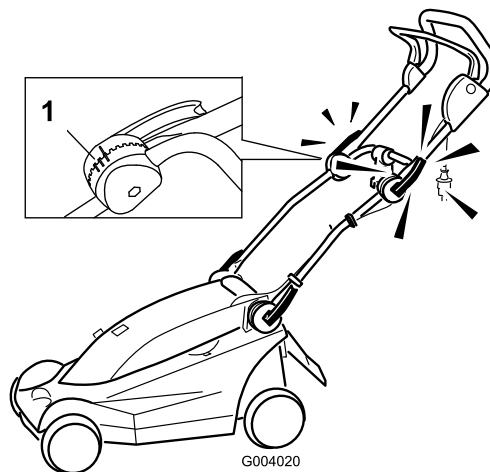
Figur 2





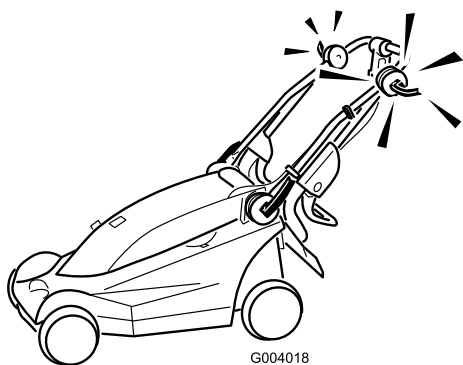
Figur 3

1. Rett inn merkene



Figur 6

1. Merker for håndtaksposisjoner



Figur 4

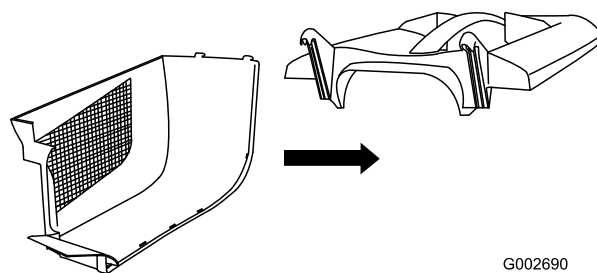
**Merk:** Du kan sette det øvre håndtaket i én av tre posisjoner. Rett inn merket med ett av de tre merkene på innsiden av den øvre håndtakslåsen (Figur 6).

## 2. Sette sammen gresskassen

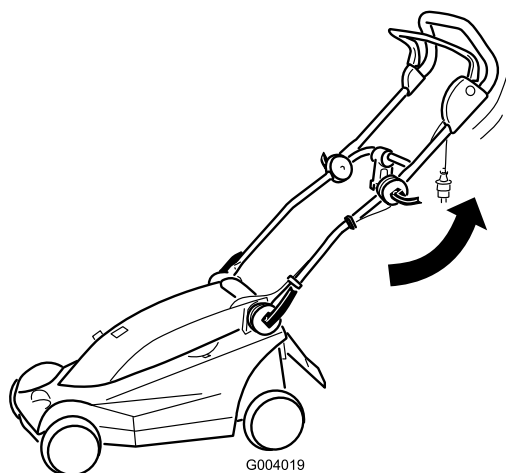
### Prosedyre

**Viktig:** Følg trinnene i rekkefølgen som vises.

1. Skyv siden inn i hektene i oversiden (Figur 7).

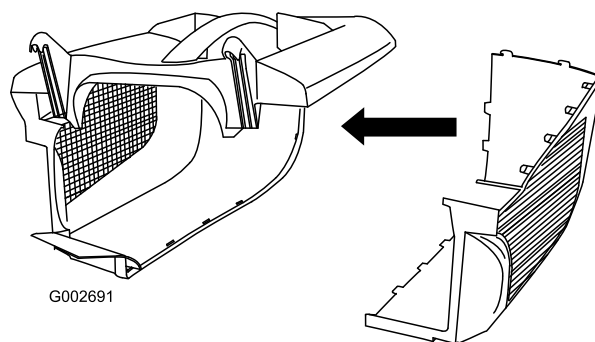


Figur 7



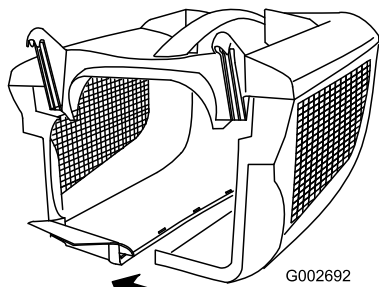
Figur 5

2. Skyv den andre siden inn i hektene i oversiden og fest bakdelene på de to sidestykkene sammen (Figur 8).

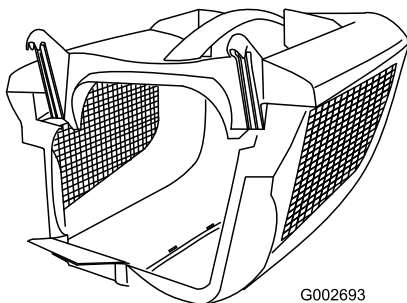


Figur 8

3. Start bak, innrett og skyv de resterende av sidehektene sammen (Figur 9).

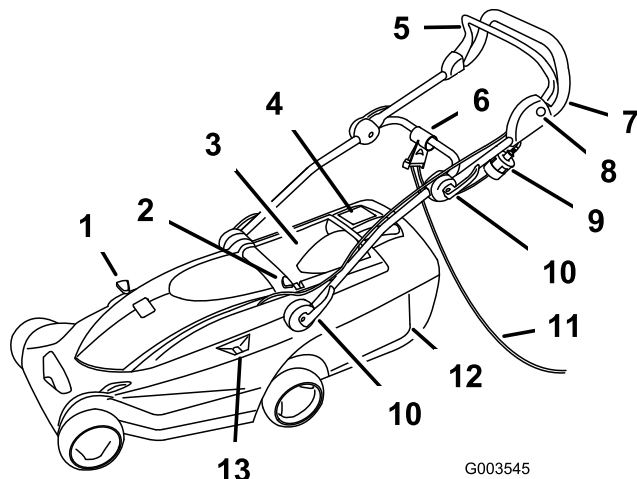


Figur 9



Figur 10

## Oversikt over produktet



Figur 11

- |  |                                    |
|--|------------------------------------|
| 1. Resirkulerings-/opsamlingsspak      | 8. Knapp                           |
| 2. Justeringsknapp for klippehøyde     | 9. Knott                           |
| 3. Bakdør                              | 10. Håndtakslås (fire)             |
| 4. Oppfyllingsindikator for gresskasse | 11. Skjøteledning (medfølger ikke) |
| 5. Kontrollbøyle                       | 12. Gresskasse                     |
| 6. Ledningslås                         | 13. Avlesing av klippehøydenivå    |
| 7. Håndtak                             |                                    |

## Spesifikasjoner

Modell	21080	21081	21082	21090	21091	21092
Vekt	16 kg	17 kg	16 kg	19 kg	20 kg	19 kg
Lengde	137 cm	137 cm	137 cm	145 cm	145 cm	145 cm
Bredde	39 cm	39 cm	39 cm	45 cm	45 cm	45 cm
Nominell klippebredde	34 cm	34 cm	34 cm	41 cm	41 cm	41 cm
Nominell område for klippehøyde	20 til 75 mm	20 til 75 mm	20 til 75 mm	20 til 75 mm	20 til 75 mm	20 til 75 mm
Gresskassemengde	32 l	32 l	32 l	40 l	40 l	40 l
Nominell o/min til motor	3000 o/min	3000 o/min	3000 o/min	3000 o/min	3000 o/min	3000 o/min
Volt og frekvenser	230 V / 50 Hz	230 V / 50 Hz	230 V / 50 Hz	230 V / 50 Hz	230 V / 50 Hz	230 V / 50 Hz
Effekt	1,2 kW	1,2 kW	1,2 kW	1,2 kW	1,2 kW	1,2 kW

# Bruk

## Sikring av skjøteledning

**Merk:** Denne prosedyren er for gressklippere som krever en skjøteledning.

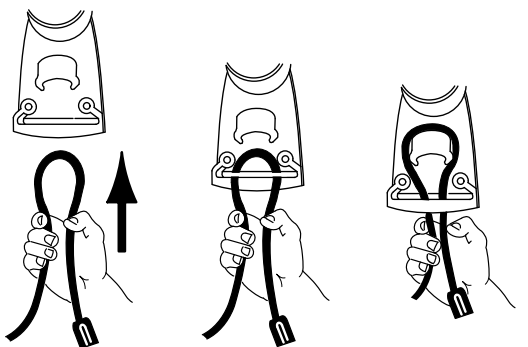
Bruk kun skjøteledninger som er anbefalt for utendørs bruk.



Kontakt med vann under bruk av gressklipperen kan forårsake elektrisk støt, og resultere i personskader eller dødsfall.

- Ikke ta i støpselet eller gressklipperen med våte hender eller mens du står i vann.
- Bruk kun en skjøteledning som er anbefalt for utendørs bruk i kaldt vær.

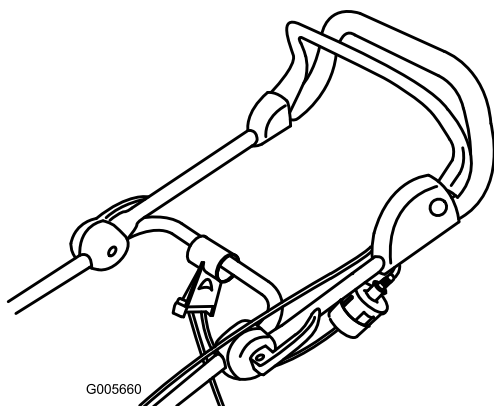
1. Lag en løkke på skjøteledningen og fest den i ledningslåsen (Figur 12).



Figur 12

G002648

2. Koble skjøteledningen til gressklipperkontakten (Figur 13).



Figur 13

G005660

**Merk:** Ikke koble fra skjøteledningen ved å trekke i ledningen. Ta i støpselet, ikke ledningen, for å koble fra ledningen.



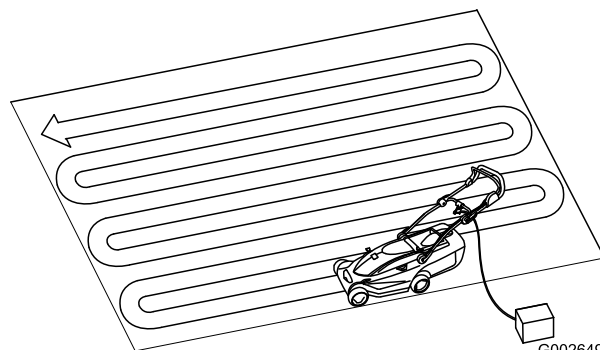
Den elektriske ledningen kan ødelegges og føre til støt eller brann.

Kontroller den elektriske ledningen grundig før du bruker gressklipperen. Hvis ledningen er skadet må du ikke bruke gressklipperen. Få en autorisert Toro-serviceforhandler til å erstatte eller reparere en skadet ledning umiddelbart.

## Planlegge ditt klippemønster

Ved å følge det foreslåtte klippemønsteret vil du redusere faren for å kjøre over ledningen med gressklipperen, og ledningen vil ikke utsettes for unødvendig slitasje. Ikke tillat at strømledningen legger seg rundt trær, busker eller andre hindringer.

Begynn med å klippe nær strømuttaket. Klipp frem og tilbake mens du gradvis flytter deg bort fra strømuttaket (Figur 14).

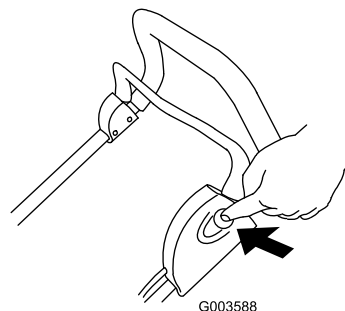


Figur 14

G002649

## Starte motoren

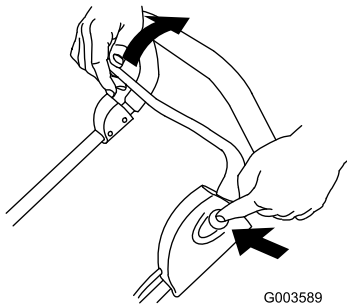
1. Koble skjøteledningen til gressklipperen (ved behov).
2. Koble den andre enden av ledningen i et husholdningsstrømuttak.
3. Trykk på knappen på venstre side av håndtaket og hold den inne (Figur 15).



Figur 15

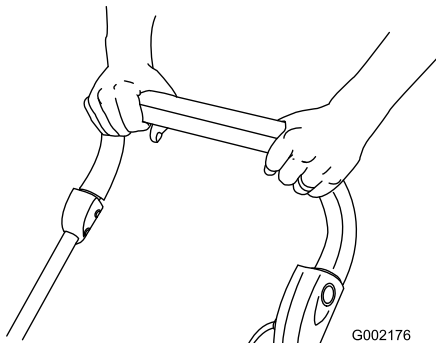
G003588

- Trekk knivkontrollbøylen mot håndtaket samtidig som du holder inne knappen (Figur 16).



Figur 16

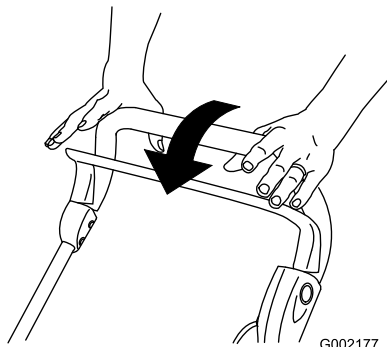
- Hold kontrollbøylen mot håndtaket og slipp knappen (Figur 17).



Figur 17

## Stoppe motoren

- Slipp kontrollbøylen (Figur 18).



Figur 18

- Koble gressklipperen fra strømkilden, hvis du skal la den stå uten tilsyn.

## Justere klippehøyden

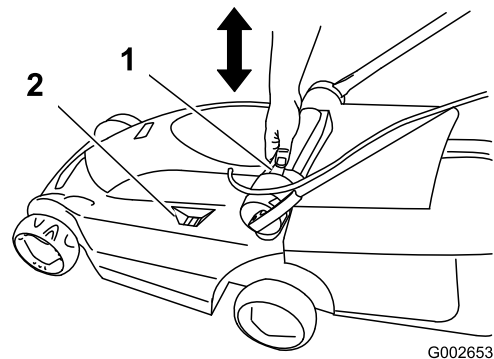
Gressklipperen har seks klippehøydeposisjoner (alle høydene er omtrentlige): A = 20 mm, B = 31 mm, C = 42 mm, D = 53 mm, E = 64 mm og F = 75 mm.



Justering av klippehøydespakene kan føre hendene og føttene i kontakt med en kniv som beveger seg og føre til alvorlige skader.

Stopp motoren, og vent til alle bevegelige deler har stoppet før du endrer klippehøydeinnstillingen.

- Stopp motoren, og vent til alle bevegelige deler har stoppet.
- Trykk ned justeringsknappen for klippehøyde med tommelen og trykk ned eller løft opp klippehøydehåndtaket til ønsket klippehøydeinnstilling som vises i klippehøydeavlesingen (Figur 19).



Figur 19

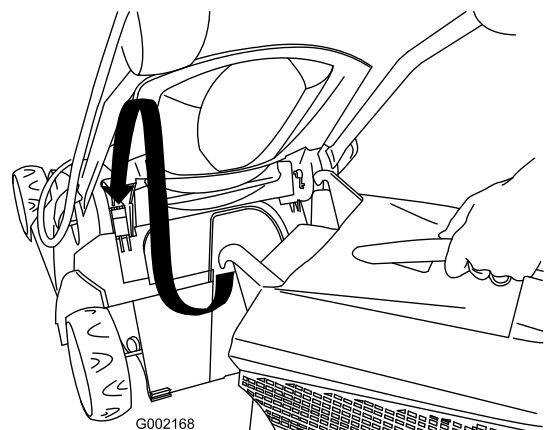
1. Justeringsknapp for klippehøyde
2. Avlesing av klippehøydenivå

- Slipp justeringsknappen for klippehøyde.

## Samle opp gresset

Monter gresskassen for å samle opp gressrester.

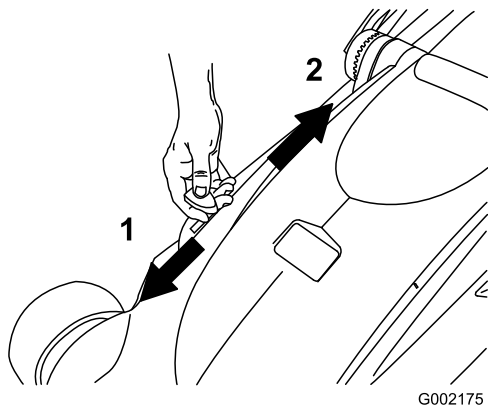
- Løft opp den bakre døren og installer gresskassen på gressklipperen (Figur 20).



Figur 20

- Frigjør den bakre døren.

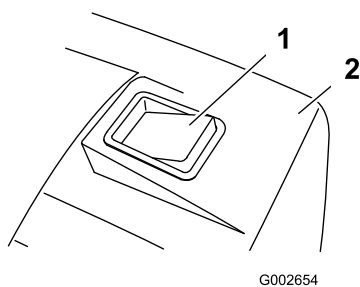
3. Flytt resirkulerings-/oppsamlingsspaken til oppsamlingsmodus (Figur 21).



Figur 21

1. Oppsamlingsmodus      3. Resirkulerings-/oppsamlingspak  
2. Resirkuleringsmodus (kverning)

4. Klipp med gresskassen festet inntil indikatoren for gresskassen viser at gresskassen er full (Figur 22).



Figur 22

1. Gresskasseindikator (gresskassen er full)  
2. Gresskasse

5. Fjern gresskassen fra gressklipperen og tøm ut innholdet.

**Merk:** For å skifte fra oppsamling til resirkulering må du flytte spaken til resirkuleringsmodus (Figur 21) og fjerne gresskassen.

## Klippetips



Figur 23

Følg disse instruksjonene når du klipper gress for best klipperesultat og utseende på gressplenen.

- Oppretthold en **skarp kniv** gjennom hele klippesesongen.
- **Klipp kun tørt gress.** Vått gress har en tendens til å klumpe seg på bakken og kan føre til å gressklipperen tilstoppes eller at motoren stanser. Det kan også være glatt å gå på, og kan føre til at du sklir og faller.
- Når du klipper enkle skårganger, påse at overlappingen er på omtrent 4 cm.
- Når du klipper svært høyt gress, er det lurt å først klippe på den høyeste klippehøydeinnstillingen og ved lavere hastighet, og deretter klippe en gang til på en lavere innstilling for å oppnå best mulig utseende på gressplenen.
- Hvis den ferdig klippede gressplenen ikke ser bra ut, kan du prøve en gang til og gjøre følgende:
  - Slip kniven.
  - Gå saktere mens du klipper.
  - Hev klippehøydeinnstillingen på gressklipperen.
  - Klipp gresset oftere.
  - Overlapp skårganger i stedet for å klippe en hel skårgang hver gang.

# Vedlikehold


Toro har utformet dette produktet for å gi deg mange års bruk uten problemer. Hvis den har behov for service, kan du levere den hos et autorisert Toro-serviceverksted.



Når gressklipperen er koblet til en strømkilde i en husholdning, kan gressklipperen brukes. Noen kan ved et uhell starte gressklipperen og dette kan føre til alvorlige personskader.

Koble alltid gressklipperen fra strømkilden når du skal la den stå uten tilsyn.

## Dobbelisolerte apparater

I et dobbelisolert apparat finnes to systemer for isolasjon i stedet for jording. Det finnes ingen jording på et dobbelisolert apparat, heller ikke skal det legges til muligheter for jording på apparatet. Service på et dobbelisolert apparat krever ekstrem forsiktighet og kunnskap om systemet, og skal kun utføres av kvalifisert personell ved et autorisert Toro-serviceverksted. Erstatningsdeler til et dobbelisolert apparat må være identisk til de delene de erstatter. Et dobbelisolert apparat er merket med ordene "Double Insulation" eller "Double Insulated". Symbolet (en firkant inne i en firkant)  kan også markeres på apparatet.

## Rengjøre gressklipperhuset

Rengjør gressklipperhuset etter hver gang du har brukt gressklipperen.

Før rengjøring må du stanse motoren, vente til alle bevegelige deler har stoppet og koble gressklipperen fra strømkilden.

**Viktig:** Ikke rengjør gressklipperen med vann. Fukt kan komme inn i gressklipperen og kan føre til rust på innvendige deler.

- Rengjør undersiden av gressklipperhuset. Fjern smuss og gressrester med en treskrape.
- Fjern rester fra ventilene langs toppen av gressklipperhuset.
- Børst alle rester av gressklipperhuset.
- Undersøk støpselet på strømledningen etter tegn på smelting eller oppvarming. Gamle, utslitte støpsler på skjøteledninger som sitter løst i stikkontakten kan føre til overoppvarming pga. dårlig kontakt. Skift ut eventuelle skadede skjøteledninger umiddelbart (ved behov).

# Vedlikeholde kniven

Klipp alltid med en skarp kniv. Dette fordi en skarp kniv klipper gresset jevnt, uten å rive eller trevle opp gresstråene.

Når kniven skifter ut, skift ut med en original Toro-reservekniv.



Noen kan ved et uhell starte motoren og føre til alvorlige personskader på føreren eller andre personer.

Ikke forsøk å undersøke, fjerne eller erstatte kniven uten først å koble gressklipperen fra strømkilden.

1. Stopp motoren, og vent til alle bevegelige deler har stoppet.
2. Koble gressklipperen fra strømkilden.
3. Vipp gressklipperen over på siden.
4. Undersøk kniven nøye for skarphet og slitasje, særlig der de flate og bøyde delene av kniven møtes. Skift ut kniven hvis du oppdager slitasje.

**Merk:** For best mulig resultat kan du montere en ny kniv før klippesesongen begynner. Fil ned små hakk i kniven i løpet av klippesesongen for å opprettholde klippeeggen.

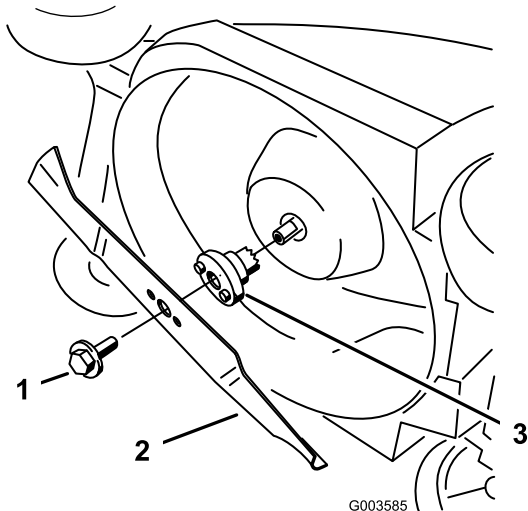


En slitt eller skadet kniv kan brenne, og en del av kniven kan slynges ut i retning mot føreren eller andre og føre til alvorlige personskader eller en dødsulykke.

Undersøk kniven regelmessig for slitasje eller skade, og skift den ut hvis den er slitt eller skadet.

## Demontere kniven

1. Hold enden av kniven (Figur 24) med en fille eller en tykk hanske.



Figur 24

1. Knivbolt
2. Knivblad
3. Knivadapter

2. Fjern knivbolten og knivbladet.

**Viktig:** Hvis knivadapteren løsner må du kontrollere at du monterer den før du monterer kniven og knivbolten. Du vil skade gressklipperen hvis du bruker den uten knivadapteren.

## Slipe kniven

Bruk en fil til å slipe den øverste siden av kniven og opprettholde den originale klippevinkelen.

**Merk:** Kniven opprettholder balansen hvis like mye materiale fjernes fra begge kniveggene.

**Viktig:** Sjekk knivens balanse ved å legge den på en balanseringsinnretning. Du kan kjøpe en billig balanseringsinnretning i en jernvareforretning. En balansert kniv holder seg i horisontal posisjon, mens en kniv som ikke er balansert hviler mot den tyngre siden. Hvis kniven ikke er i balanse må du fil bort litt av metallet på klippeeggen på den tunge siden av kniven.

## Montere kniven

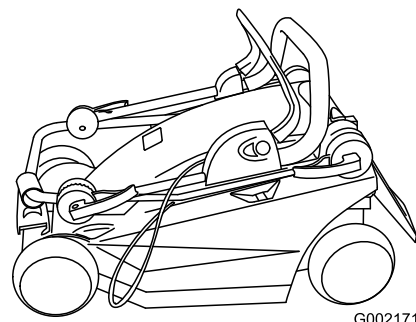
Monter en skarp, balansert kniv og knivbolten. Vingedelen på kniven må vende mot toppen av klippehuset for å sikre korrekt klipping. Trekk til knivbolten med et moment på 15 Nm.

## Vedlikeholde på/av og knivbremsesystemet

Motoren og kniven er utformet for å stoppe innen tre sekunder etter at du slipper kontrollbøylen. Sikre at kontrollbøylen fungerer på korrekt måte hver gang før du bruker gressklipperen. Hvis kniven ikke stopper i løpet av tre sekunder eller det oppstår slipende eller skrapende lyd av metall mot metall når du slipper kontrollbøylen, ta kontakt med et autorisert Toro-serviceverksted. Samme anbefaling gjelder hvis du merker kraftig risting under klipping.

## Lagring

Maskinen må oppbevares på et kjølig, rent og tørt sted – hold barn borte. Dekk til gressklipperen for å holde den ren og beskytte den.



Figur 25

1. Rengjør gressklipperhuset.
2. Kontroller tilstanden til kniven.

# Feilsøking

Problem	Mulig årsak	Løsning
Motoren vil ikke starte.	<ol style="list-style-type: none"> <li>1. Skjøteledningen er ikke koblet til gressklipperen.</li> <li>2. Skjøteledningen er skadet.</li> <li>3. En sikring eller effektbryter har gått.</li> </ol>	<ol style="list-style-type: none"> <li>1. Koble skjøteledningen til gressklipperen og plugg den andre enden av skjøteledningen i et vanlig husholdningsstrømuttak.</li> <li>2. Undersøk skjøteledningen og reparer ledningen hvis den er skadet.</li> <li>3. Kontroller uttakssikringen eller skillebryteren.</li> </ol>
Motoren er vanskelig å starte eller går ikke skikkelig	<ol style="list-style-type: none"> <li>1. Gressklipperens utløpssjakt er tilstoppet.</li> <li>2. Undersiden av gressklipperhuset trenger rengjøring.</li> <li>3. Klippehøyden er stilt inn for lavt.</li> </ol>	<ol style="list-style-type: none"> <li>1. Rengjør gressklipperens utløpssjakt.</li> <li>2. Rengjør undersiden av gressklipperhuset.</li> <li>3. Still inn gressklipperens klippehøyde til en høyere posisjon og start motoren på nytt.</li> </ol>
Gressklipper eller motor vibrerer svært mye	<ol style="list-style-type: none"> <li>1. Kniven er ikke i balanse.</li> <li>2. Knivmonteringsbolten er løs.</li> <li>3. Gressklipperens utløpssjakt er tilstoppet.</li> <li>4. Undersiden av gressklipperhuset trenger rengjøring.</li> <li>5. Monteringsboltene i motoren er løse.</li> </ol>	<ol style="list-style-type: none"> <li>1. Balanser kniven.</li> <li>2. Stram til knivmonteringsbolten.</li> <li>3. Rengjør gressklipperens utløpssjakt.</li> <li>4. Rengjør klippeenhetens underside.</li> <li>5. Trekk til monteringsboltene i motoren.</li> </ol>
Ujevn klippemønster	<ol style="list-style-type: none"> <li>1. Kniven er sløv og ikke i balanse.</li> <li>2. Du klipper samme mønster hver gang du klipper.</li> <li>3. Undersiden av gressklipperhuset trenger rengjøring.</li> </ol>	<ol style="list-style-type: none"> <li>1. Slip og balanser kniven.</li> <li>2. Endre klippemønster.</li> <li>3. Rengjør klippeenhetens underside.</li> </ol>
Utløpssjakten tilstoppes	<ol style="list-style-type: none"> <li>1. Klippehøyden er stilt inn for lavt.</li> <li>2. Du prøver å klippe vått gress.</li> <li>3. Undersiden av gressklipperhuset trenger rengjøring.</li> </ol>	<ol style="list-style-type: none"> <li>1. Hev klippehøyden.</li> <li>2. La gresset tørke før du klipper det.</li> <li>3. Rengjør klippeenhetens underside.</li> </ol>



## International Distributor List—Consumer Products

<b>Distributor:</b>	<b>Country:</b>	<b>Phone Number:</b>
Atlantis Su ve Sulama Sistemleri Lt	Turkey	90 216 344 86 74
Balama Prima Engineering Equip	Hong Kong	852 2155 2163
B-Ray Corporation	Korea	82 32 551 2076
Casco Sales Company	Puerto Rico	787 788 8383
Ceres S.A	Costa Rica	506 239 1138
CSSC Turf Equipment (pvt) Ltd	Sri Lanka	94 11 2746100
Cyril Johnston & Co	Nothern Ireland	44 2890 813 121
Equivier	Mexico	52 55 539 95444
Femco S.A.	Guatemala	502 442 3277
G.Y.K. Company Ltd.	Japan	81 726 325 861
Geomechaniki of Athens	Greece	30 10 935 0054
Guandong Golden Star	China	86 20 876 51338
Hako Gorund and Garden	Sweden	46 35 10 0000
Hydroturf Int. Co	Dubai United Arab Emirates	97 14 347 9479
Hydroturf Egypt LLC	Egypt	202 519 4308
Ibea S.p.A.	Italy	39 0331 853611
Irriamc	Portugal	351 21 238 8260
Jean Heybroek b.v.	Netherlands	31 30 639 4611
Lely (U.K. ) Limited	United Kingdom	44 1480 226 800
Maquiver S.A.	Colombia	57 1 236 4079
Maruyama Mfg. Co. Inc.	Japan	81 3 3252 2285
Metra Kft	Hungary	36 1 326 3880
Mountfield a.s.	Czech Republic	420 255 704 220
Munditol S.A.	Argentina	54 11 4 821 9999
Oslinger Turf Equipment SA	Ecuador	593 4 239 6970
Oy Hako Ground and Garden Ab	Finland	358 987 00733
Parkland Products Ltd	New Zealand	64 3 34 93760
Prochaska & Cie	Austria	43 1 278 5100
RT Cohen 2004 Ltd	Israel	972 986 17979
Riversa	Spain	34 9 52 83 7500
Roth Motorgerate GmBh & Co	Germany	49 7144 2050
Sc Svend Carlsen A/S	Denmark	45 66 109 200
Solvert S.A.S	France	33 1 30 81 77 00
Spypros Stavrinides Limited	Cyprus	357 22 434131
Surge Systems India Limited	India	91 1 292299901
T-Markt Logistics Ltd	Hungary	36 26 525 500
Toro Australia	Australia	61 3 9580 7355
Toro Europe BVBA	Belgium	32 14 562 960



## Toro garantien

### Betingelser og inkluderte produkter

The Toro® Company og datterselskapet Toro Warranty Company, i henhold til en avtale mellom dem, garanterer i fellesskap overfor den opprinnelige kjøperen\* å reparere alle Toro-produkter som brukes til normale boligformål\* hvis det oppstår defekter i materialer eller arbeidskvalitet. Følgende tidsperioder gjelder fra datoen for opprinnelig kjøp:

Produkter	Garantiperiode
Manuelle motordrevne gressklippere	2-års begrenset garanti
Bakmotortraktor	2-års begrenset garanti
Plen- og hagetraktorer	2-års begrenset garanti
Elektriske håndholdte produkter	2-års begrenset garanti
Snøfresere	2-års begrenset garanti
Forbrukermaskin med nullradius	2-års begrenset garanti

\* "Opprinnelig kjøper" innebærer bruk av personen som opprinnelig kjøpte Toro-produktene.

\* "Normal boligformål" betyr bruk av produktet på samme tomt som hjemmet ditt. Bruk på mer enn ett sted betraktes som kommersiell bruk, og garantien for kommersiell bruk vil gjelde.

### Begrenset garanti for kommersiell bruk

Toro Forbrukerprodukter og -tilbehør som brukes til kommersiell, industriell eller utleiebasert bruk, er garantert mot defekter i materialer og arbeidskvalitet for følgende tidsperioder fra datoen for opprinnelig kjøp:

Produkter	Garantiperiode
Manuelle motordrevne gressklippere	90-dagers garanti
Bakmotortraktor	90-dagers garanti
Plen- og hagetraktorer	90-dagers garanti
Elektriske håndholdte produkter	90-dagers garanti
Snøfresere	90-dagers garanti
Forbrukermaskin med nullradius	45-dagers garanti

### Instruksjoner for å innhente garantitjenester

Hvis du tror at ditt Toro-produkt inneholder en defekt i materialer eller arbeidskvalitet, følger du denne fremgangsmåten:

1. Kontakt selgeren for å avtale service på produktet. Hvis det av en eller annen grunn er umulig for deg å kontakte selgeren, kan du kontakte en Toro-autorisert forhandler for å avtale service.
2. Ta med deg produktet og kjøpsbevis (salgskvittering) til selgeren eller serviceforhandleren.

Hvis du av en eller annen grunn er misfornøyd med serviceforhandlerens analyse eller med hjelpen du får, kan du kontakte Toro-importøren eller oss på:

Customer Care Department, Consumer Division  
Toro Warranty Company  
8111 Lyndale Avenue South  
Bloomington, MN 55420-1196, USA  
Manager: Technical Product Support: 001-952-887-8248

Se vedlagt forhandlerliste

### Eierens ansvar

Du må vedlikeholde Toro-produktet ved å følge vedlikeholdsprosedyrene som er beskrevet i brukerhåndboken. Det er du som dekker kostnadene til slikt rutinevedlikehold, enten det utføres av en forhandler eller av deg.

### Elementer og betingelser som ikke inkluderes

Denne uttrykkelige garantien dekker ikke følgende:

- Kostnader til vanlig vedlikeholdsservice eller deler, for eksempel filtre, drivstoff, smøremidler, trimmingsdeler, knivsliping, bremse- og clutchjusteringer.
- Alle produkter eller deler som er endret eller feilbrukt eller som må byttes eller repareres på grunn av normal slitasje, uhell eller manglende fagmessig vedlikehold.
- Reparasjoner som er nødvendige pga. feilaktig drivstoff, forurensninger i drivstoffsystemet eller manglende klargjøring av drivstoffsystemet før en periode på over tre måneder med maskinen stående stille.
- Motor og drivverk. Disse dekkes av de aktuelle produsentgarantiene med separate vilkår og betingelser.

Alle reparasjoner som dekkes av denne garantien, må utføres av en autorisert Toro-serviceforhandler som bruker Toro-godkjente reservedeler.

### Generelle betingelser

Kjøperen er dekket av nasjonal lovgivning innen hvert land. Rettighetene som kjøperen har med støtte i slike lover, er ikke begrenset av denne garantien.



# Eurocycler™ – 34 och 41 cm breda elektriska klippare

Modellnr 21080—Serienr 270A00001 och högre

Modellnr 21081—Serienr 270B00001 och högre

Modellnr 21082—Serienr 270C00001 och högre

Modellnr 21090—Serienr 270D00001 och högre

Modellnr 21091—Serienr 270E00001 och högre

Modellnr 21092—Serienr 270F00001 och högre

## Bruksanvisning

## Innehåll

Introduktion.....	1
Säkerhet .....	1
Säker driftspraxis.....	2
Ljudtryck.....	2
Ljudeffekt .....	2
Hand-/armvibration .....	3
.....	3
Uttjänta elektriska och elektroniska apparater (WEEE).....	3
Säkerhets- och instruktionsdekalerna.....	3
Instalação .....	3
1.Fälla upp handtaget.....	3
2.Sätta ihop gräsuppsamlaren.....	4
Produktöversikt.....	5
Specifikationer .....	5
Körning .....	6
Spänna fast en förlängningssladd.....	6
Planera klippmönstret .....	6
Starta motorn.....	6
Stanna motorn .....	7
Justera klipphöjden.....	7
Samla upp klippet.....	7
Klipptips .....	8
Underhåll .....	9
Dubbelisolerade enheter.....	9
Rengöra klipparhuset.....	9
Serva kniven.....	9
Serva på/av- och knivbromssystemet.....	10
Förvaring .....	10
Felsökning.....	11

## Introduktion

Den här klipparen är endast avsedd för privat bruk i hemmiljö. Den är inte till för yrkesmässig användning i någon offentlig miljö.

Tack för att du har valt en elektrisk Toro-klippare för privat bruk. Läs bruksanvisningen noga så att du lär dig att använda och underhålla klipparen på rätt sätt. Informationen i bruksanvisningen hjälper dig

och andra att undvika personskador och skador på produkten. Även om Toro konstruerar och tillverkar säkra produkter så är det du som ansvarar för att produkten används på ett bra och säkert sätt.

I olika regioner gäller olika föreskrifter för användning av klippare. Fråga dina lokala myndigheter vilka föreskrifter som gäller där du bor och om det råder klippförbud vid vissa tidpunkter.

## Säkerhet

Läs och förstå innehållet i denna bruksanvisning innan du startar motorn.

**▲**Så här ser varningssymbolen ut. Den används för att göra dig uppmärksam på eventuella risker för personskador. Följ samtliga säkerhetsmeddelanden som ges efter denna symbol för att undvika risk för personskador eller dödsfall.

Om den här gräsklipparen används eller underhålls på fel sätt, kan det leda till personskador eller dödsfall. Följ nedanstående säkerhetsföreskrifter för att minska denna risk.



Följ alltid dessa säkerhetsanvisningar för att minska risken för brand, elektriska stötar och personskador när du använder den elektriska gräsklipparen.

Följande säkerhetsinformation har anpassats efter den europeiska standarden EN 836:1997 och CEI/IEC 60335-77:2001.

# Säker driftspraxis

## Allmän information

- Läs instruktionerna noga. Bekanta dig med reglagen och hur maskinen ska användas.
- Låt aldrig barn eller personer som inte känner till anvisningarna köra gräsklipparen. Lokala föreskrifter kan begränsa förarens ålder.
- Klipp aldrig om människor, särskilt barn, eller husdjur befinner sig i närheten.
- Föraren eller användaren är ansvarig för olyckor och risker som andra människor och deras ägodelar utsätts för.

## Förberedelser

- Använd alltid ordentliga skor och långbyxor vid klippning. Kör inte maskinen barfota eller i sandaler.
- Undersök noga det område där maskinen ska köras, och avlägsna alla föremål som kan slungas omkring av maskinen.
- Före körning bör du kontrollera så att inte kniven, knivbultarna eller klippaggregatet är slitna eller skadade. Byt ut slitna eller skadade knivar och bultar i satser så att balanseringen bibehålls.
- Toro rekommenderar att klipparen kopplas till en strömkälla med jordfelsbrytare (jfb) som utlöses redan vid 30 mA.
- Om en förlängningssladd krävs ska den vara avsedd för utomhusbruk, max 30 meter lång och av storleken 1,00 mm<sup>2</sup>.

## Hantering

- Klipp endast i dagsljus eller i bra belysning.
- Undvik om möjligt att använda utrustningen på vått gräs.
- Se till att du har bra fotfäste i sluttningar.
- Gå! Spring aldrig.
- Hjulförsedda rotorklippare ska alltid köras tvärgående över sluttningar, aldrig upp och ner.
- Var väldigt försiktig när du svänger på sluttningar.
- Klipp inte på väldigt branta sluttningar.
- Var mycket försiktig när du backar eller drar gräsklipparen mot dig.
- Stäng av klipparen när du ska transportera den från ett klippområde till ett annat. Stanna alltid kniven innan du flyttar klipparen bort från gräsmattan.
- Kör aldrig gräsklipparen med skadade skydd eller utan att skyddsanordningarna (exempelvis gräsriktare eller -uppsamlare) sitter på plats.

- Starta motorn försiktigt i enlighet med anvisningarna, och håll fötterna på behörigt avstånd från kniven.
- Tippa inte gräsklipparen när du startar motorn, utom om gräsklipparen måste lutas för att starta. Om så är fallet ska du inte luta klipparen mer än absolut nödvändigt, och bara lyfta upp den del som är längst ifrån dig. Håll alltid båda händerna i förarpositionen innan du sänker ned maskinen till marken.
- Håll inte händer eller fötter nära eller under roterande delar. Håll alltid avstånd till utkastaröppningen.
- Lyft aldrig upp eller bär en gräsklippare medan motorn är igång.
- Dra ut kontakten ur eluttaget
  - varje gång du lämnar gräsklipparen
  - innan du rensar bort en blockering eller tar bort något ur utkastaren
  - innan du kontrollerar, rengör eller utför arbete på gräsklipparen
  - om du kör på något föremål – kontrollera i så fall noga om gräsklipparen har skadats och reparera eventuella skador innan du startar och kör klipparen igen
  - om gräsklipparen börjar vibrera onormalt (kontrollera omedelbart).

## Underhåll och förvaring

- Håll samtliga muttrar, bultar och skruvar åtdragna så att maskinen är i säkert bruksskick.
- Kontrollera gräsuppsamlaren regelbundet och se efter om den är sliten eller trasig.
- Byt ut slitna och skadade delar så att maskinen är säker att använda.
- Använd enbart rätt sorts kniv vid byten.
- Köp endast originalreservdelar och -tillbehör från Toro.

## Ljudtryck

Maskinen har en maximal ljudtrycksnivå vid förarens öra på 83 dBA, grundat på mätningar på identiska maskiner enligt EN 11201.

## Ljudeffekt

Maskinen har en garanterad ljudeffektsnivå på 96 dBA, grundat på mätningar på identiska maskiner i enlighet med anvisningarna i EN 11094.

# Hand-/armvibration

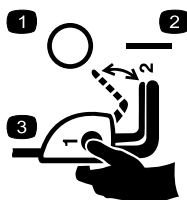
Maskinen ger en maximal hand-/armvibration på 4,8 m/s<sup>2</sup>, grundat på mätningar på identiska maskiner i enlighet med anvisningarna i EN 836.

## Uttjänta elektriska och elektroniska apparater (WEEE)

	<ul style="list-style-type: none"><li>• Enligt EU-direktiv 2002/96/EG klassificeras den här produkten som ett elektriskt eller elektroniskt verktyg.</li><li>• Kasta <b>inte</b> det här verktyget bland osorterat kommunalt hushållsavfall.</li><li>• Kassera det här verktyget på en godkänd samlings- eller återvinningsstation i enlighet med lokala och nationella bestämmelser.</li><li>• Konsumenten har en viktig roll när det gäller att minska kasseringen av avfall genom att lämna in elektroniska/elektriska verktyg för återvinning.</li><li>• Genom återvinning förhindras spridning av farliga material i det kommunala avfallsflödet.</li><li>• Symbolen som föreställer en överkryssad soptunna är till för att påminna användaren om att produkten inte får kasseras som osorterat kommunalt avfall.</li></ul>
--	---

## Säkerhets- och instruktionsdekalerna

**Viktigt:** Säkerhets- och instruktionsdekalerna sitter nära potentiella farozoner. Byt ut eller ersätt dekalerna som är skadade eller saknas.



110-1168

1. Av
2. På
3. Aktivera klipparen genom att trycka in och hålla ned knappen samtidigt som du drar styrstängningen bakåt.



110-8417

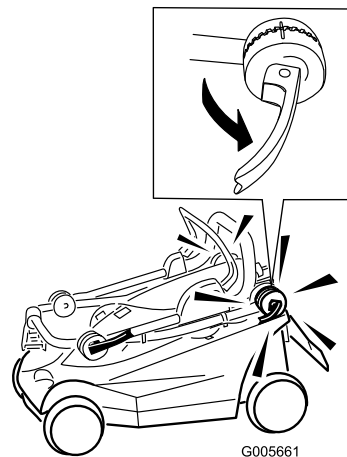
1. Varning – läs *bruksanvisningen*.
2. Risk för utslungade föremål – håll kringstående på behörigt avstånd från maskinen.
3. Obs! Rör inte kniven då den roterar! Koppla bort strömsladden och läs instruktionerna innan du servar eller underhåller maskinen.
4. Risk för elektriska stötar – utsätt inte maskinen för regn eller våta förhållanden.
5. Elektrisk fara om strömsladden skärs av – kör inte maskinen över sladden.

## Instalação

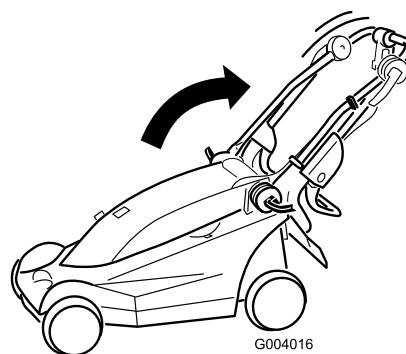
**Obs:** Anslut inte klipparen till en strömkälla förrän den har monterats helt och hållet.

### 1. Fälla upp handtaget

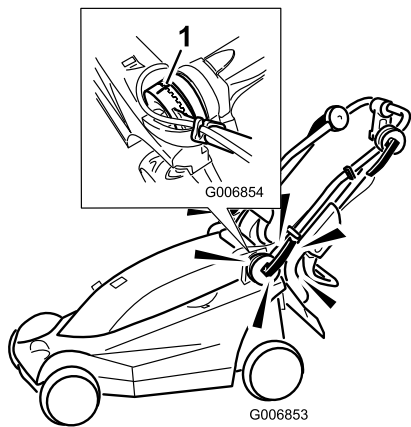
#### Tillvägagångssätt



Figur 1

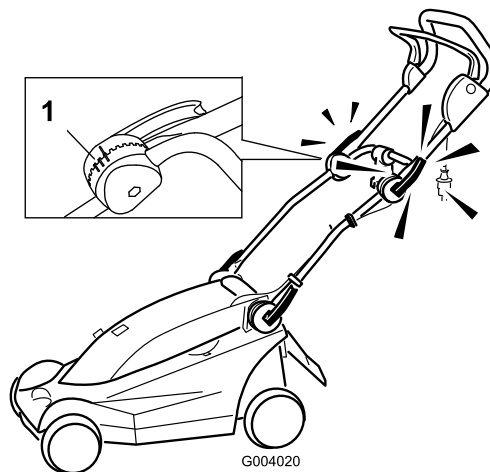


Figur 2



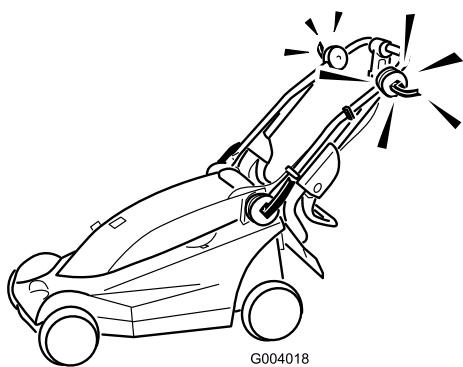
Figur 3

1. Rikta in markeringarna



Figur 6

1. Markeringar för handtagslägen



Figur 4

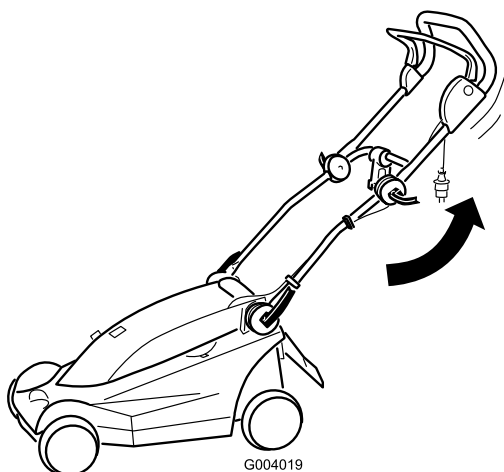
**Obs:** Du kan sätta fast det övre handtaget i ett av tre lägen. Rikta in markeringen efter en av de tre markeringarna på insidan av det övre handtagets lås (Figur 6).

## 2. Sätta ihop gräsuppsamlaren

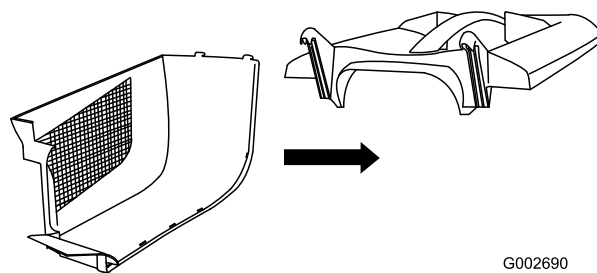
### Tillvägagångssätt

**Viktigt:** Följ anvisningarna nedan i den ordning de ges.

1. Skjut in en sidodel i spärrhakarna på överdelen (Figur 7).



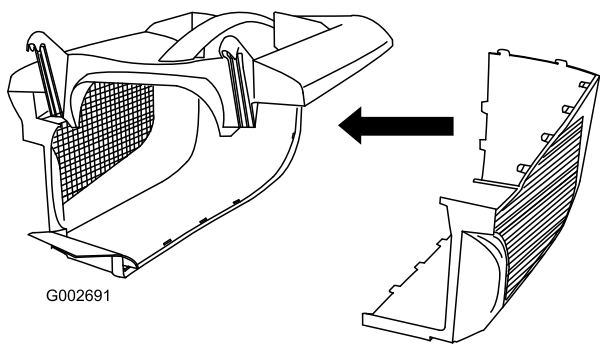
Figur 5



Figur 7

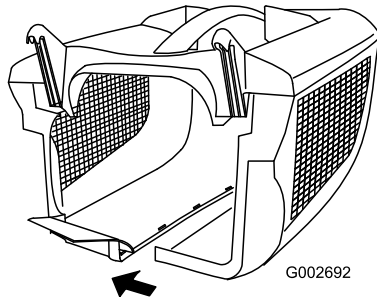
2. Skjut in den andra sidodelen i spärrhakarna på överdelen och spänn ihop de två sidodelarna baktill (Figur 8).

# Produktöversikt

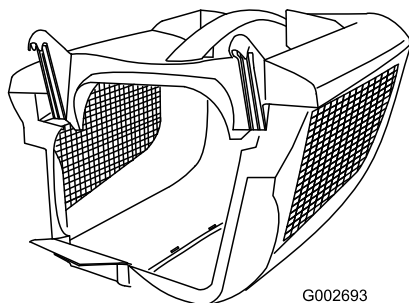


Figur 8

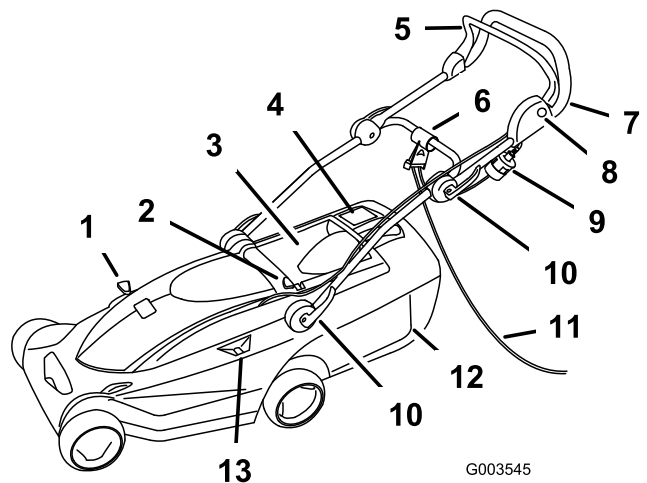
3. Börja baktill och rikta/skjut in de återstående spärrhakarna på sidodelarna (Figur 9).



Figur 9



Figur 10



Figur 11

- |   |                                      |
|---|--------------------------------------|
| 1. Återvinnings-/opsamlingspak          | 8. Knapp                             |
| 2. Klipphöjdsinställningsknapp          | 9. Plugg                             |
| 3. Bakre lucka                          | 10. Handtagslås (4)                  |
| 4. Fyllnadsindikator för gräsuppsamlare | 11. Förlängningssladd (medföljer ej) |
| 5. Styrstång                            | 12. Gräsuppsamlare                   |
| 6. Sladdlås                             | 13. Klipphöjdsavläsning              |
| 7. Handtag                              |                                      |

## Specifikationer

Modell	21080	21081	21082	21090	21091	21092
Vikt	16 kg	17 kg	16 kg	19 kg	20 kg	19 kg
Längd	137 cm	137 cm	137 cm	145 cm	145 cm	145 cm
Bredd	39 cm	39 cm	39 cm	45 cm	45 cm	45 cm
Nominell klippbredd	34 cm	34 cm	34 cm	41 cm	41 cm	41 cm
Nominellt klipp-höjdsintervall	20 till 75 mm	20 till 75 mm	20 till 75 mm	20 till 75 mm	20 till 75 mm	20 till 75 mm
Gräsuppsamlarens volym	32 liter	32 liter	32 liter	40 liter	40 liter	40 liter
Nominellt motorvarvtal	3 000 varv/min.	3 000 varv/min.	3 000 varv/min.	3 000 varv/min.	3 000 varv/min.	3 000 varv/min.
Spänning och frekvens	230 V/50 Hz	230 V/50 Hz	230 V/50 Hz	230 V/50 Hz	230 V/50 Hz	230 V/50 Hz
Effekt	1,2 kW	1,2 kW	1,2 kW	1,2 kW	1,2 kW	1,2 kW

# Körning

## Spänna fast en förlängningsladd

**Obs:** De här anvisningarna är avsedda för klippare som används med en förlängningsladd.

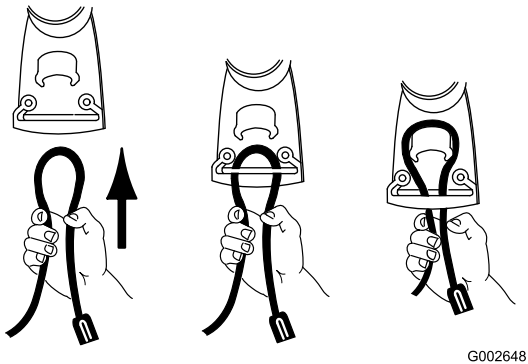
Använd endast en förlängningsladd för utomhusbruk.



Om du kommer i kontakt med vatten medan du kör klipparen kan du få en elektrisk stöt som kan orsaka personskador eller dödsfall.

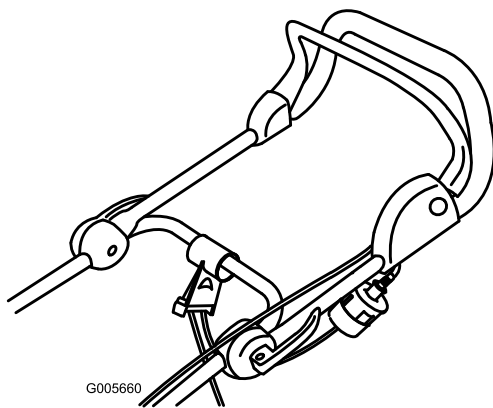
- Ta inte i kontakten eller klipparen med våta händer eller medan du står i vatten.
- Använd endast en förlängningsladd som är avsedd för utomhusbruk vid kallt väder.

1. Gör en ögla av förlängningsladden och sätt fast den i sladdlåset (Figur 12).



Figur 12

2. Sätt i förlängningsladden i gräsklipparens kontakt (Figur 13).



Figur 13

**Obs:** Dra inte i själva sladden om du vill koppla bort förlängningsladden, utan ta tag i kontakten.



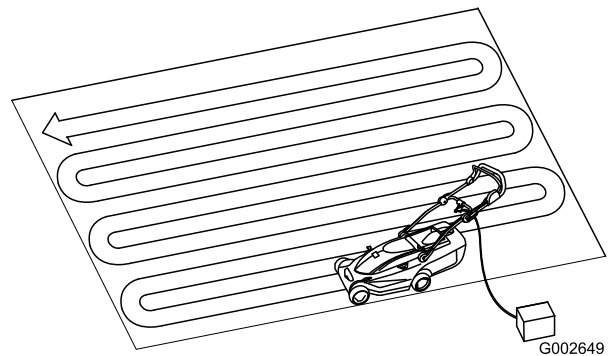
Om strömsladden skadas kan det leda till en elektrisk stöt eller brand.

Kontrollera strömsladden noga innan du börjar använda klipparen. Använd inte klipparen om sladden är skadad. Låt en auktoriserad Toro-återförsäljare byta ut eller reparera sladden omedelbart om den skadas.

## Planera klippmönstret

Om du följer det klippmönster som föreslås nedan minskar risken för att du ska köra över sladden med klipparen, och sladden kommer inte att slitas i onödan. Låt inte sladden dras runt träd, buskar eller andra hinder.

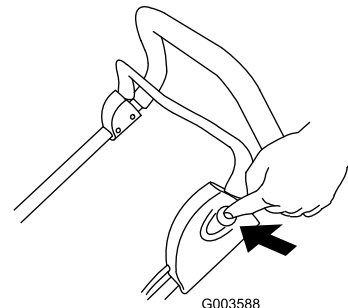
Börja klippningen nära strömkällan. Klipp fram och tillbaka, och flytta dig gradvis bort ifrån strömkällan (Figur 14).



Figur 14

## Starta motorn

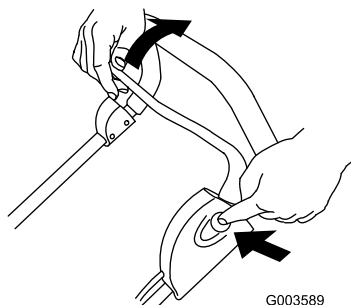
1. Koppla förlängningsladden till gräsklipparen (vid behov).
2. Sätt sladdens andra ände i ett vanligt eluttag.
3. Tryck in knappen på handtagets vänstra sida och håll den intryckt (Figur 15).



Figur 15

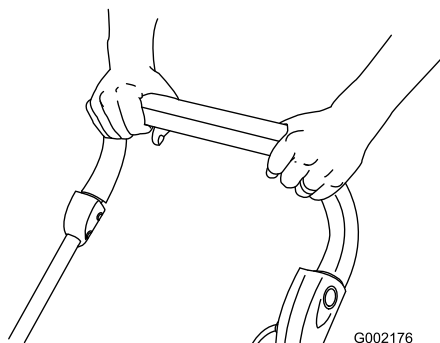
4. Håll knappen intryckt och dra styrstangen mot handtaget (Figur 16).





Figur 16

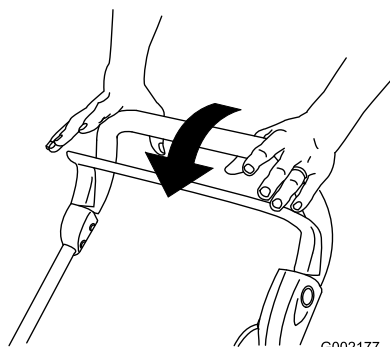
5. Håll styrstängan mot handtaget och släpp upp knappen (Figur 17).



Figur 17

## Stanna motorn

1. Släpp upp styrstängan (Figur 18).



Figur 18

2. Koppla bort gräsklipparen från strömkällan om du lämnar klipparen utan uppsikt.

## Justera klipphöjden

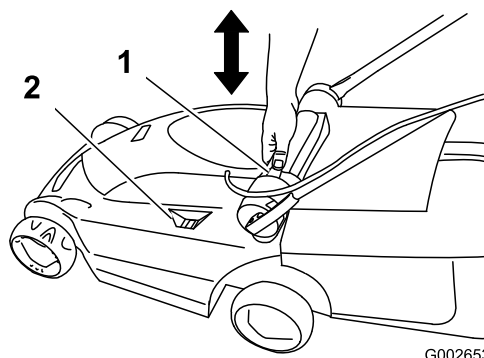
På klipparen finns sex klipphöjdsåsen (alla höjdanvisningar är ungefärliga): A = 20 mm; B = 31 mm; C = 42 mm; D = 53 mm; E = 64 mm och F = 75 mm.



När du justerar klipphöjdsspakarna kan dina händer och fötter komma i kontakt med en roterande kniv, vilket kan leda till allvarliga personskador.

Stäng av motorn och vänta tills alla rörliga delar har stannat innan du ändrar klipphöjdsinställningen.

1. Stäng av motorn och vänta tills alla rörliga delar har stannat.
2. Tryck ned klipphöjdsinställningsknappen med tummen och tryck ned eller lyft upp klipphöjdshandtaget tills den inställning som önskas visas i klipphöjdsavläsningen (Figur 19).



Figur 19

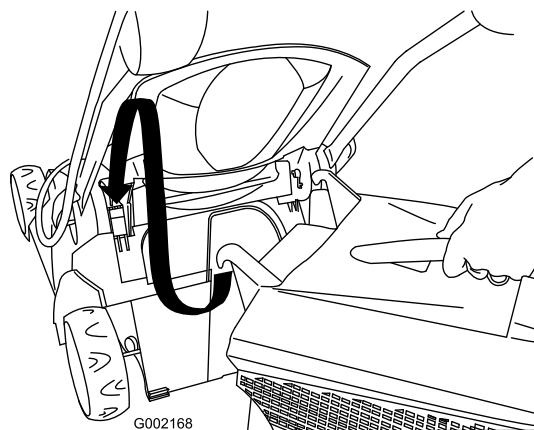
1. Klipphöjdsinställningsknapp
2. Klipphöjdsavläsning

3. Släpp upp klipphöjdsinställningsknappen.

## Samla upp klippet

Montera gräsuppsamlaren för att samla upp klippet.

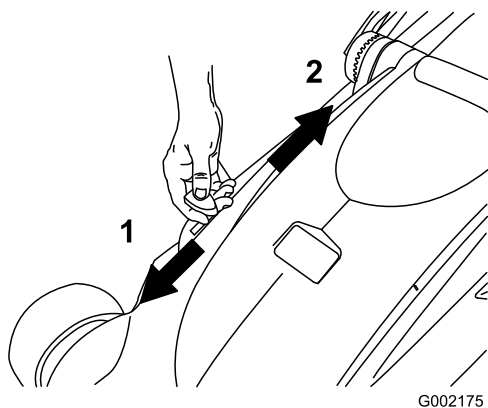
1. Lyft upp den bakre luckan och montera gräsuppsamlaren på klipparen (Figur 20).



Figur 20

2. Släpp den bakre luckan.

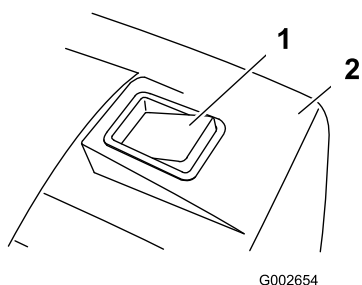
3. Flytta återvinnings-/uppsamlingsspaken till uppsamlingsläget (Figur 21).



Figur 21

1. Uppsamlingsläge
2. Återvinningsläge (mullningsläge)
3. Återvinnings-/uppsamlingsspak

4. Klipp med gräsuppsamlaren installerad till dess att fyllnadsindikatorn för gräsuppsamlaren visar att uppsamlaren är full (Figur 22).



Figur 22

1. Fyllnadsindikator för gräsuppsamlare (gräsuppsamlaren är full)
2. Gräsuppsamlare

5. Lossa gräsuppsamlaren från klipparen och töm ut innehållet.

**Obs:** Om du vill övergå från uppsamling till återvinning ska du flytta återvinnings-/uppsamlingsspaken till återvinningsläget (Figur 21) och demontera gräsuppsamlaren.

## Klipptips



Figur 23

Följ anvisningarna nedan när du klipper gräs, så får du det bästa klippresultatet och en fin gräsmatta.

- Håll **kniven vass** under hela klippsäsongen.
- **Klipp bara torrt gräs.** Vått gräs har en tendens att klumpas ihop på marken, vilket kan leda till motorstopp eller att klipparen täpps igen. Ett vått underlag kan också vara halt, vilket kan få dig att halka och ramla.
- Överlappa klippsvepingarna med cirka 4 cm.
- Om du klipper väldigt långt gräs kan det vara bra att först klippa med den högsta klipphöjdsinställningen och låg hastighet, och sedan klippa en gång till med en lägre klipphöjd så att gräsmattan blir fin.
- Försök med en eller flera av åtgärderna nedan om du inte är nöjd med klippresultatet.
  - Slipa kniven.
  - Gå saktare när du klipper.
  - Höj gräsklipparens klipphöjdsinställning.
  - Klipp gräset oftare.
  - Överlappa klippsvepingarna istället för att klippa en hel svepning varje gång.

# Underhåll

Toro har konstruerat den här produkten för att ge dig flera års felfri drift. Ta med produkten till en auktoriserad Toro-återförsäljare vid behov av service.



**Klipparen kan användas när den har anslutits till ett vanligt eluttag. Någon kan då starta klipparen av misstag och allvarligt skada dig eller andra kringstående.**

**Koppla alltid bort gräsklipparen från strömkällan när du lämnar klipparen utan uppsikt.**

## Dubbelisolerade enheter

I en dubbelisolerad enhet finns två isoleringssystem istället för jordning. En dubbelisolerad enhet är inte jordad, och ingen jordande enhet bör heller kopplas till den. För att utföra service på en dubbelisolerad enhet krävs stor försiktighet och god kunskap om systemet. Låt därför endast kvalificerad servicepersonal hos en auktoriserad Toro-återförsäljare serva maskinen. Reservdelarna till en dubbelisolerad enhet måste vara exakt likadana som de delar som byts ut. En dubbelisolerad utrustning är märkt med orden ”Double Insulation” eller ”Double Insulated”. Utrustningen kan även vara märkt med en symbol i form av en kvadrat inuti en kvadrat

## Rengöra klipparhuset

Rengör klipparhuset efter varje användningstillfälle.

Stäng av motorn, vänta tills alla rörliga delar har stannat och koppla bort klipparen från strömkällan innan du rengör den.

**Viktigt: Rengör inte klipparen med vatten, eftersom det kan leda till att fukt ansamlas i klipparen och de inre delarna rostar.**

- Rengör klipparhusets undersida. Ta bort smuts och gräsklipp med en skrapa i ett hårt träslag.
- Ta bort skräp från ventilerna på huset, längs klipparens översida.
- Borsta bort allt skräp från klipparhuset.
- Kontrollera om det finns några tecken på att eluttaget har smält eller upphettats. Förlängningssladdar med gamla utslitna kontakter som sitter löst i eluttaget kan medföra överhettning genom glapp kontakt. Byt genast ut förlängningssladden om den har skadats.

## Serva kniven

Klipp alltid med en vass kniv, så att gräset klipps av jämnt och inte slits eller rycks av.

Använd bara Toro-originalknivar när du byter kniv.



**Någon kan starta motorn av misstag och allvarligt skada föraren eller kringstående.**

**Försök aldrig att kontrollera, demontera eller byta ut kniven innan du har kopplat bort klipparen från eluttaget.**

1. Stäng av motorn och vänta tills alla rörliga delar har stannat.
2. Koppla bort klipparen från eluttaget.
3. Lägg klipparen på sidan.
4. Undersök noga så att kniven är vass och inte sliten, särskilt i det område där knivens flata och böjda delar möts. Byt ut kniven om den är sliten.

**Obs:** Montera en ny kniv när klippssäsongen börjar för att garanterat få bästa resultat. Fila ned små hack på kniven under klippssäsongen så att eggen hålls vass.

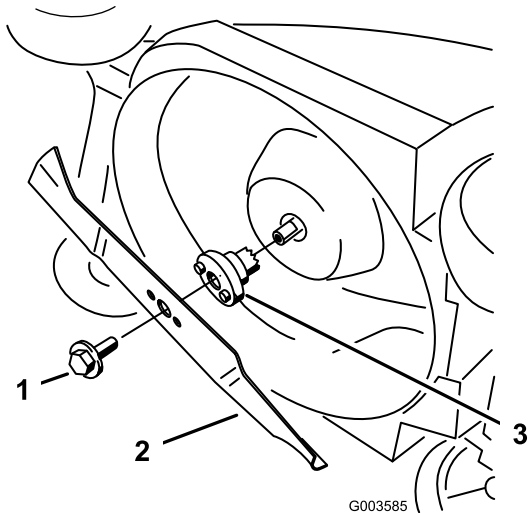


**En sliten eller skadad kniv kan gå sönder och en bit av kniven kan slungas ut i riktning mot föraren eller någon annan person, vilket kan leda till allvarliga personskador eller dödsfall.**

**Kontrollera om kniven är sliten eller skadad med jämna mellanrum, och byt ut den om den slits eller skadas.**

## Demontera kniven

1. Fatta tag i knivens ände (Figur 24) med en trasa eller en tjockt vadderad handske.



Figur 24

- |             |                |
|-------------|----------------|
| 1. Knivbult | 3. Knivhållare |
| 2. Kniv     |                |

2. Ta bort knivbulten och kniven.

**Viktigt:** Om knivhållaren lossnar ska du sätta tillbaka den innan du monterar kniven och knivbulten. Gräsklipparen skadas om den används utan knivhållaren.

## Slipa kniven

Använd en fil till att slipa knivens översida och bibehålla den ursprungliga klippvinkeln.

**Obs:** Kniven kommer att vara balanserad även fortsättningsvis om du slipar bort lika mycket från båda knivseggarna.

**Viktigt:** Kontrollera knivens balans med hjälp av en knivbalanserare. Sådana säljs till en ringa kostnad i järnhandeln. En balanserad kniv förblir i ett horisontellt läge, medan en obalanserad kniv lutar åt den tyngre sidan. Om kniven är i obalans ska du fila bort mer metall från eggen på knivens tunga sida.

## Montera kniven

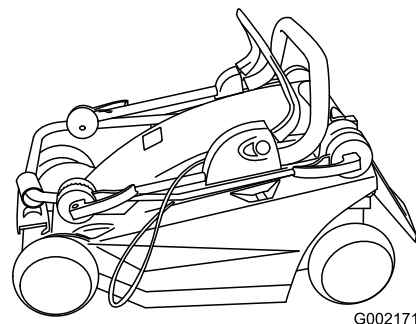
Montera en vass, balanserad kniv och knivbulten. Knivens segedel ska peka mot klipparhusets översida för att monteringen ska vara korrekt. Dra åt knivbulten till ett moment på 15 Nm.

## Serva på/av- och knivbromssystemet

Motorn och kniven har konstruerats så att de stannar inom tre sekunder efter det att styrstången släpps. Kontrollera att styrstången fungerar som den ska före varje användningstillfälle. Kontakta en auktoriserad Toro-återförsäljare om kniven inte stannar inom tre sekunder eller om det hörs ett gnisslande eller skrapande metalliskt ljud när du släpper styrstången. Kontakta även en auktoriserad Toro-återförsäljare om klipparen vibrerar kraftigt när du använder den.

## Förvaring

Förvara klipparen i ett svalt, rent och torrt utrymme utom räckhåll för barn. Täck över klipparen så att den hålls ren och står skyddad.



Figur 25

1. Rengör klipparhuset.
2. Kontrollera knivens tillstånd.

# Felsökning

Problem	Möjliga orsaker	Åtgärd
Motorn startar inte	<ol style="list-style-type: none"><li>1. Förlängningssladden är inte ansluten till klipparen.</li><li>2. Förlängningssladden är skadad.</li><li>3. Säkring eller automatsäkring har gått.</li></ol>	<ol style="list-style-type: none"><li>1. Koppla förlängningssladden till klipparen och sätt i den andra änden i ett vanligt eluttag.</li><li>2. Kontrollera förlängningssladden och reparera den om den är skadad.</li><li>3. Kontrollera uttagssäkring eller automatsäkring.</li></ol>
Motorn är trögstartad eller förlorar effekt	<ol style="list-style-type: none"><li>1. Klipparens utkastare är blockerad.</li><li>2. Klipparhusets undersida behöver rengöras.</li><li>3. Klipphöjden är för låg.</li></ol>	<ol style="list-style-type: none"><li>1. Rensa utkastaren.</li><li>2. Rengör klipparhusets undersida.</li><li>3. Ställ in en högre klipp höjd och starta motorn på nytt.</li></ol>
Klipparen eller motorn vibrerar ovanligt mycket	<ol style="list-style-type: none"><li>1. Kniven är obalanserad.</li><li>2. Knivens fästbult är lös.</li><li>3. Klipparens utkastare är blockerad.</li><li>4. Klipparhusets undersida behöver rengöras.</li><li>5. Motorns fästbultar är lösa.</li></ol>	<ol style="list-style-type: none"><li>1. Balansera kniven.</li><li>2. Dra åt knivens fästbult.</li><li>3. Rensa utkastaren.</li><li>4. Rengör klipparens undersida.</li><li>5. Dra åt motorns fästbultar.</li></ol>
Klippmönstret blir ojämnt	<ol style="list-style-type: none"><li>1. Kniven är slö och obalanserad.</li><li>2. Du klipper alltid i samma mönster.</li><li>3. Klipparhusets undersida behöver rengöras.</li></ol>	<ol style="list-style-type: none"><li>1. Vässa och balansera kniven.</li><li>2. Byt klippmönster.</li><li>3. Rengör klipparens undersida.</li></ol>
Utkastaren täpps till	<ol style="list-style-type: none"><li>1. Klipphöjden är för låg.</li><li>2. Du försöker klippa vått gräs.</li><li>3. Klipparhusets undersida behöver rengöras.</li></ol>	<ol style="list-style-type: none"><li>1. Hög klipphöjden.</li><li>2. Låt gräset torka innan du klipper det.</li><li>3. Rengör klipparens undersida.</li></ol>

## International Distributor List—Consumer Products

<b>Distributor:</b>	<b>Country:</b>	<b>Phone Number:</b>
Atlantis Su ve Sulama Sistemleri Lt	Turkey	90 216 344 86 74
Balama Prima Engineering Equip	Hong Kong	852 2155 2163
B-Ray Corporation	Korea	82 32 551 2076
Casco Sales Company	Puerto Rico	787 788 8383
Ceres S.A	Costa Rica	506 239 1138
CSSC Turf Equipment (pvt) Ltd	Sri Lanka	94 11 2746100
Cyril Johnston & Co	Nothern Ireland	44 2890 813 121
Equivier	Mexico	52 55 539 95444
Femco S.A.	Guatemala	502 442 3277
G.Y.K. Company Ltd.	Japan	81 726 325 861
Geomechaniki of Athens	Greece	30 10 935 0054
Guandong Golden Star	China	86 20 876 51338
Hako Gorund and Garden	Sweden	46 35 10 0000
Hydroturf Int. Co	Dubai United Arab Emirates	97 14 347 9479
Hydroturf Egypt LLC	Egypt	202 519 4308
Ibea S.p.A.	Italy	39 0331 853611
Irriamc	Portugal	351 21 238 8260
Jean Heybroek b.v.	Netherlands	31 30 639 4611
Lely (U.K. ) Limited	United Kingdom	44 1480 226 800
Maquiver S.A.	Colombia	57 1 236 4079
Maruyama Mfg. Co. Inc.	Japan	81 3 3252 2285
Metra Kft	Hungary	36 1 326 3880
Mountfield a.s.	Czech Republic	420 255 704 220
Munditol S.A.	Argentina	54 11 4 821 9999
Oslinger Turf Equipment SA	Ecuador	593 4 239 6970
Oy Hako Ground and Garden Ab	Finland	358 987 00733
Parkland Products Ltd	New Zealand	64 3 34 93760
Prochaska & Cie	Austria	43 1 278 5100
RT Cohen 2004 Ltd	Israel	972 986 17979
Riversa	Spain	34 9 52 83 7500
Roth Motorgerate GmBh & Co	Germany	49 7144 2050
Sc Svend Carlsen A/S	Denmark	45 66 109 200
Solvert S.A.S	France	33 1 30 81 77 00
Spypros Stavrinides Limited	Cyprus	357 22 434131
Surge Systems India Limited	India	91 1 292299901
T-Markt Logistics Ltd	Hungary	36 26 525 500
Toro Australia	Australia	61 3 9580 7355
Toro Europe BVBA	Belgium	32 14 562 960



## Toro garanti

### Fel och produkter som omfattas

The Toro® Company och dess dotterbolag, Toro Warranty Company, lovar tillsammans, enligt ett gemensamt avtal, den ursprungliga köparen\* att reparera en Toro-produkt som använts för normalt arbete i hemmet\* om ett material- eller utförandefel uppstått. Följande tidsperioder gäller från det ursprungliga inköpsdatumet:

Produkter	Garantiperiod
Manuell motordriven klippare	Två års begränsad garanti
Åkgräsklippare med motor bak	Två års begränsad garanti
Åkgräsklippare	Två års begränsad garanti
Elektriska handhållna produkter	Två års begränsad garanti
Snöslungor	Två års begränsad garanti
Konsumentklippare med noll vädradie	Två års begränsad garanti

\* Med "Ursprunglig köpare" avses den person som ursprungligen köpte Toro-produkterna.

\* Med "Normalt arbete i hemmet" avses bruk av produkten i hemmet. Om produkten används på fler än ett ställe räknas det som kommersiellt bruk och då gäller garantin för kommersiellt bruk.

### Begränsad garanti för kommersiellt bruk

Garantin gäller Toro-konsumentprodukter och tillbehör som används i kommersiellt syfte, utbildnings- eller uthyrningssyfte rörande material- eller utförandefel under följande tidsperioder från inköpsdatum:

Produkter	Garantiperiod
Manuell motordriven klippare	90 dagars garanti
Åkgräsklippare med motor bak	90 dagars garanti
Åkgräsklippare	90 dagars garanti
Elektriska handhållna produkter	90 dagars garanti
Snöslungor	90 dagars garanti
Konsumentklippare med noll vädradie	45 dagars garanti

### Anvisningar för garantiservice

Följ denna procedur om du tror att det är något fel på din Toro-produkt rörande material eller utförande:

1. Kontakta din försäljningsrepresentant för att ordna produktservice. Om du av någon anledning inte kan kontakta din representant kan du i stället kontakta en Toro-auktoriserad återförsäljare för att få service där.
2. Ta med produkten och inköpsbeviset (kvitto) till försäljningsstället eller återförsäljaren.

Om du av någon anledning är missnöjd med din återförsäljares analys eller med den hjälp du får kontakter du Toro-importören eller oss på:

Customer Care Department, Consumer Division  
Toro Warranty Company  
8111 Lyndale Avenue South  
Bloomington, MN 55420-1196  
Chef: Teknisk produktsupport: 001-952-887-8248

Se bifogad återförsäljarlista.

### Ägarens ansvar

Du måste underhålla din Toro-produkt enligt de underhållsprocedurer som beskrivs i användarhandboken. Sådant rutinunderhåll bekostas av dig, oavsett om det utförs av en återförsäljare eller av dig själv.

### Produkter och fel som inte omfattas

Denna uttryckliga garanti omfattar inte:

- Kostnader för regelbundet underhåll rörande service och reservdelar, exempelvis filter, bränsle, smörjmedel, delar för finjustering av motorn, knivslipning, broms- och kopplingsjustering.
- Alla produkter eller delar som ändras, används felaktigt eller som måste bytas ut eller repareras på grund av normalt slitage, olyckshändelse eller felaktigt underhåll.
- Nödvändiga reparationer på grund av felaktigt bränsle, föroreningar i bränslesystemet eller fel som uppstår på grund av otillräcklig förberedelse av bränslesystemet för en inaktiv period som är längre än tre månader.
- Motor och transmission. Täcks av respektive tillverkares garanti med separata villkor och regler.

Alla reparationer som täcks av denna garanti måste utföras av en auktoriserad Toro-återförsäljare med reservdelar som godkänts av Toro.

### Allmänna villkor

Köparens rättigheter regleras av de nationella lagar som gäller i respektive land. De rättigheter köparen har i dessa lagar begränsas inte genom denna garanti.

