



## Multi-Pro<sup>®</sup> 1250 Turf Sprayer

Model No. 41177 - 260000001 and up.

### Parts Catalog

---

#### **Ordering Replacement Parts**

To order replacement parts, please supply the part number, the quantity, and the description of each part desired.

#### **Understanding Reference Numbers**

Each identified part in an illustration has a reference number. The reference number for a part also appears in the parts list, along with other information about the part.

This catalog uses two special reference number formats, one to indicate parts in a service assembly and another to indicate the quantity of a given part in an illustration.

#### **Service Assembly Reference Numbers**

Parts in service assemblies have reference numbers in the form a:b. The a represents the reference number of the entire service assembly and the b represents a sequential number unique to each part within the service assembly.

For example, a wheel assembly might be identified by reference number 6, the tire by 6:1, the valve by 6:2, and the wheel by 6:3. When you order the assembly identified by reference number 6, you receive all parts identified by reference numbers 6:1, 6:2, and 6:3. However, you may also order any part individually. Reference numbers of this type appear in illustrations and in part lists.

#### **Reference Numbers Indicating Quantity**

In an illustration, if a reference number indicates more than one part, the reference number has the form nX y. The n represents the quantity of the part, the X is the multiplication symbol, and the y represents the reference number.

For example, in an illustration, the reference number 2X 37 means that two of the parts identified by reference number 37 are indicated.

# Contents

| <b>Description</b>   | <b>Page</b> | <b>Description</b>                                       | <b>Page</b> |
|--|-------------|--|-------------|
| Front Suspension Assembly  | ..... 4     | Tank and Saddle Assembly                                 | ..... 37    |
| Hydraulic Cylinder Assembly No. 100-8278                         | ..... 5     | Throttle Linkage Assembly                                | ..... 38    |
| Engine Cover Assembly  | ..... 6     | Exhaust Assembly   | ..... 39    |
| Seat Support Assembly  | ..... 8     | Electrical Panel Assembly                                | ..... 40    |
| Brake and Accelerator Pedal Assembly                             | ..... 9     | Hydraulic Hose Routing Assembly                          | ..... 41    |
| Master Cylinder Assembly No. 94-3800                             | ..... 10    | Steering Control Assembly No. 114-5076                   | ..... 42    |
| Rear Fender and Battery Mount Assembly                           | ..... 11    | Sprayer Component Assembly No. 1                         | ..... 43    |
| Fresh Water Tank Assembly  | ..... 12    | Sprayer Component Assembly No. 2                         | ..... 44    |
| Main Tank Assembly   | ..... 13    | Tank Drain Assembly                                      | ..... 45    |
| Lid Assembly   | ..... 14    | Top Mounted Suction Assembly                             | ..... 46    |
| Shifter Assembly   | ..... 15    | Sprayer Component Assembly No. 3                         | ..... 47    |
| Parking Brake and Console Assembly                               | ..... 16    | Safety Valve Assembly No. 100-6820                       | ..... 48    |
| Front Wheel Assembly   | ..... 17    | Hose Assembly No. 1                                      | ..... 49    |
| Front Brake Assembly No. 100-8285                                | ..... 18    | Hose Assembly No. 2                                      | ..... 50    |
| Transaxle Installation Assembly                                  | ..... 19    | Boom Mount Assembly                                      | ..... 52    |
| Drive Shaft Assembly No. 100-8293                                | ..... 20    | RH Boom Mount Assembly                                   | ..... 53    |
| Transaxle Case Assembly Transaxle<br>Assembly No. 104-9078       | ..... 21    | LH Boom Mount Assembly                                   | ..... 54    |
| Transaxle Gear Shaft Assembly Transaxle<br>Assembly No. 104-9078 | ..... 22    | EVC Control Valve Assembly                               | ..... 55    |
| Countershaft Assembly Transaxle Assembly<br>No. 104-9078         | ..... 23    | Boom Assembly No. 1                                      | ..... 57    |
| Shift Fork Assembly Transaxle Assembly No.<br>104-9078           | ..... 24    | Boom Assembly No. 2                                      | ..... 58    |
| Differential Gear Assembly Transaxle No. 104-<br>9078            | ..... 25    | Crankshaft Assembly Kohler CH20S-64647                   | ..... 59    |
| Rear Wheel Assembly  | ..... 26    | Crankcase Assembly Kohler CH20S-64647                    | ..... 60    |
| LH Rear Brake Assembly No. 93-7126                               | ..... 27    | Oil Pan / Lubrication Assembly Kohler CH20S-<br>64647    | ..... 61    |
| RH Rear Brake Assembly No. 93-7125                               | ..... 28    | Head / Valve / Breather Assembly Kohler<br>CH20S-64647   | ..... 62    |
| Driveshaft Assembly No. 98-2918                                  | ..... 29    | Ignition / Electrical Assembly Kohler CH20S-<br>64647    | ..... 63    |
| Engine and Gearbox Assembly                                      | ..... 30    | Blower Housing and Baffle Assembly Kohler<br>CH20S-64647 | ..... 64    |
| Drive Pulley Assembly No. 100-8289                               | ..... 31    | Starting System Kohler CH20S-64647                       | ..... 65    |
| Steering Pump Assembly No. 100-8302                              | ..... 32    | Fuel System Assembly Kohler CH20S-64647                  | ..... 66    |
| Driver Clutch Assembly No. 100-8288                              | ..... 33    | Engine Control Kohler CH20S-64647                        | ..... 67    |
| Pump Assembly  | ..... 34    | Air Intake / Filtration Assembly Kohler CH20S-<br>64647  | ..... 68    |
| Pump Assembly No. 106-5121                                       | ..... 35    | Exhaust Assembly Kohler CH20S-64647                      | ..... 69    |
| Hydraulic Brake Line Assembly                                    | ..... 36    | Attachments and Accessories List                         | ..... 70    |

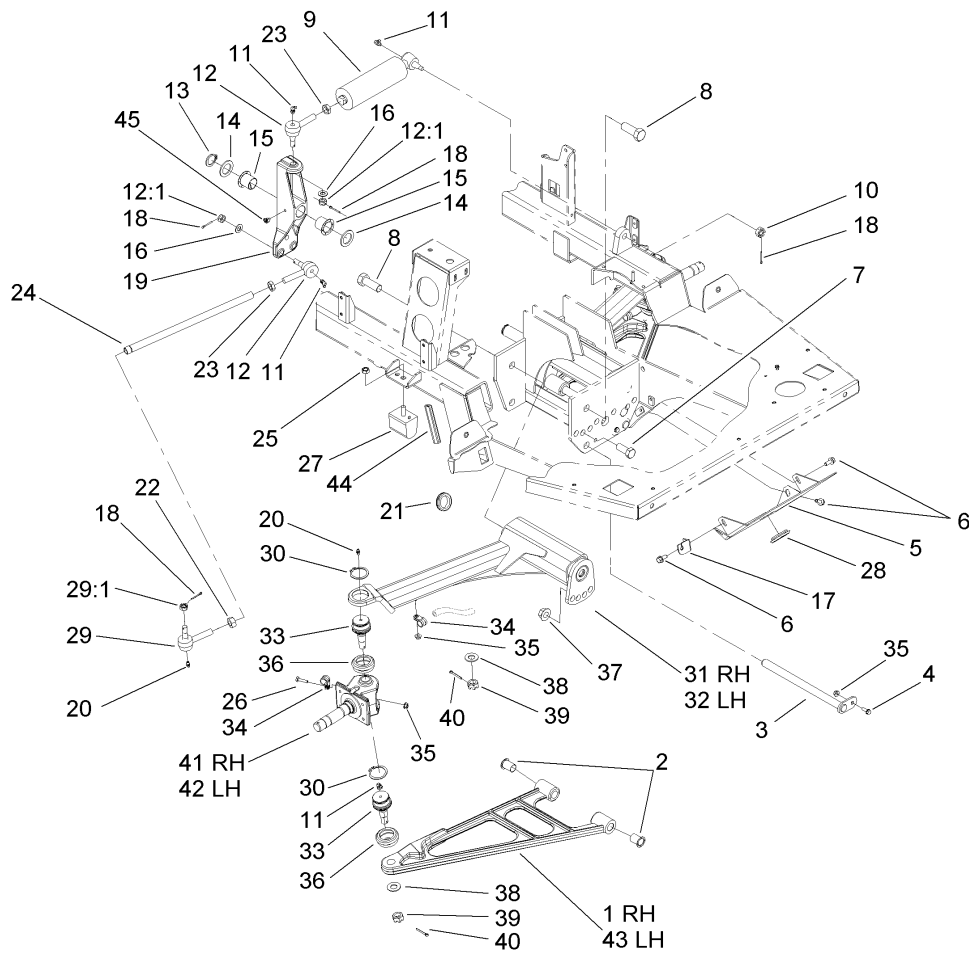
## Part Description Abbreviations

Part descriptions in this catalog may include the following abbreviations.

|             |                                |             |                                  |
|-------------|--------------------------------|-------------|----------------------------------|
| AR. ....    | as required                    | HYD. ....   | hydraulic                        |
| ASM. ....   | assembly                       | LH. ....    | left hand                        |
| BBC. ....   | blade brake clutch             | NI. ....    | nylon insert                     |
| CARR. ....  | carriage                       | NPTF. ....  | national pipe thread fine        |
| DEG. ....   | degrees                        | PFH. ....   | phillips flat head               |
| EXT. ....   | external                       | PPH. ....   | phillips pan head                |
| FH. ....    | flat head                      | PPHTF. .... | phillips pan head thread forming |
| GA. ....    | gauge                          | PRH. ....   | phillips round head              |
| HD. ....    | heavy-duty                     | PTH. ....   | phillips truss head              |
| HF. ....    | hex flange                     | PTO. ....   | power-take-off                   |
| HH. ....    | hex head                       | RH. ....    | right hand                       |
| HHF. ....   | hex head flange                | ROPS. ....  | roll-over protection system      |
| HHFTF. .... | hex head flange thread forming | SFH. ....   | slotted fillister head           |
| HJ. ....    | hex jam                        | SHH. ....   | slotted hex head                 |
| HLH. ....   | hex lag head                   | SHWH. ....  | slotted hex washer head          |
| HOC. ....   | height-of-cut                  | SPH. ....   | slotted pan head                 |
| HSBH. ....  | hex socket button head         | SQH. ....   | square head                      |
| HSFH. ....  | hex socket flat head           | SRH. ....   | slotted round head               |
| HSH. ....   | hex socket head                | STD. ....   | standard                         |
| HWH. ....   | hex washer head                | TAP. ....   | self tapping                     |
| HWHTF. .... | hex washer head thread forming | TTH. ....   | torx truss head                  |

## Footnotes

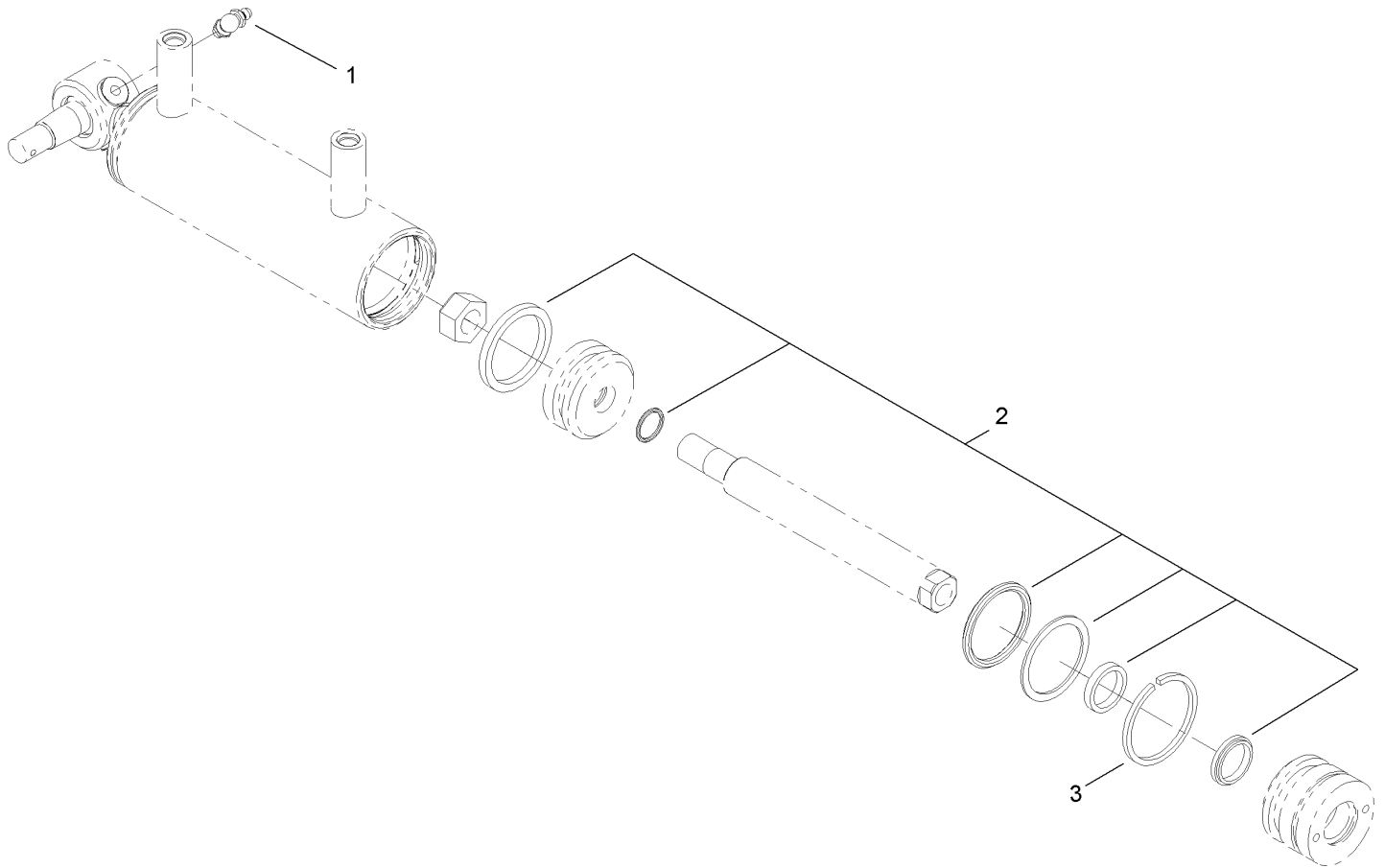
- ❶ Not illustrated
- ❷ Not serviced separately
- ❸ Obtain Parts From Kohler



## Front Suspension Assembly

| Ref  | Part No.    | Qty. | Description            |
|------|-------------|------|------------------------|
| 1    | 108-3317-03 | 1    | A-Arm, RH              |
| 2    | 100-8541    | 4    | Bushing-A Arm          |
| 3    | 100-8544    | 2    | Pivot Pin ASM          |
| 4    | 3234-4      | 2    | Screw-HHF              |
| 5    | 108-3671-03 | 1    | Plate-Skid             |
| 6    | 3234-5      | 4    | Screw-HHF              |
| 7    | 327-4       | 2    | Screw-HH               |
| 8    | 328-24      | 4    | Screw-HH               |
| 9    | 100-8278    | 1    | Cylinder-Steering      |
| 10   | 32136-13    | 1    | Nut-SHH                |
| 11   | 302-60      | 6    | Fitting-Grease, 90 DEG |
| 12   | 112772      | 3    | Joint-Ball, RH         |
| 12:1 | 915031      | 1    | Nut                    |
| 13   | 100-6785    | 1    | Ring-Retaining         |
| 14   | 3-6781      | 2    | Washer-Thrust          |
| 15   | 256-318     | 2    | Bearing-Nyliner        |
| 16   | 3256-25     | 3    | Washer-Flat            |
| 17   | 108-3556    | 1    | Bracket-Cable          |
| 18   | 3272-11     | 6    | Pin-Cotter             |
| 19   | 108-3670    | 1    | Pivot-Steering         |
| 20   | 302-5       | 4    | Fitting-Grease         |
| 21   | 240-3       | 1    | Grommet-Rubber         |
| 22   | 3218-21     | 2    | Nut-Jam                |
| 23   | 3220-11     | 3    | Nut-Jam                |

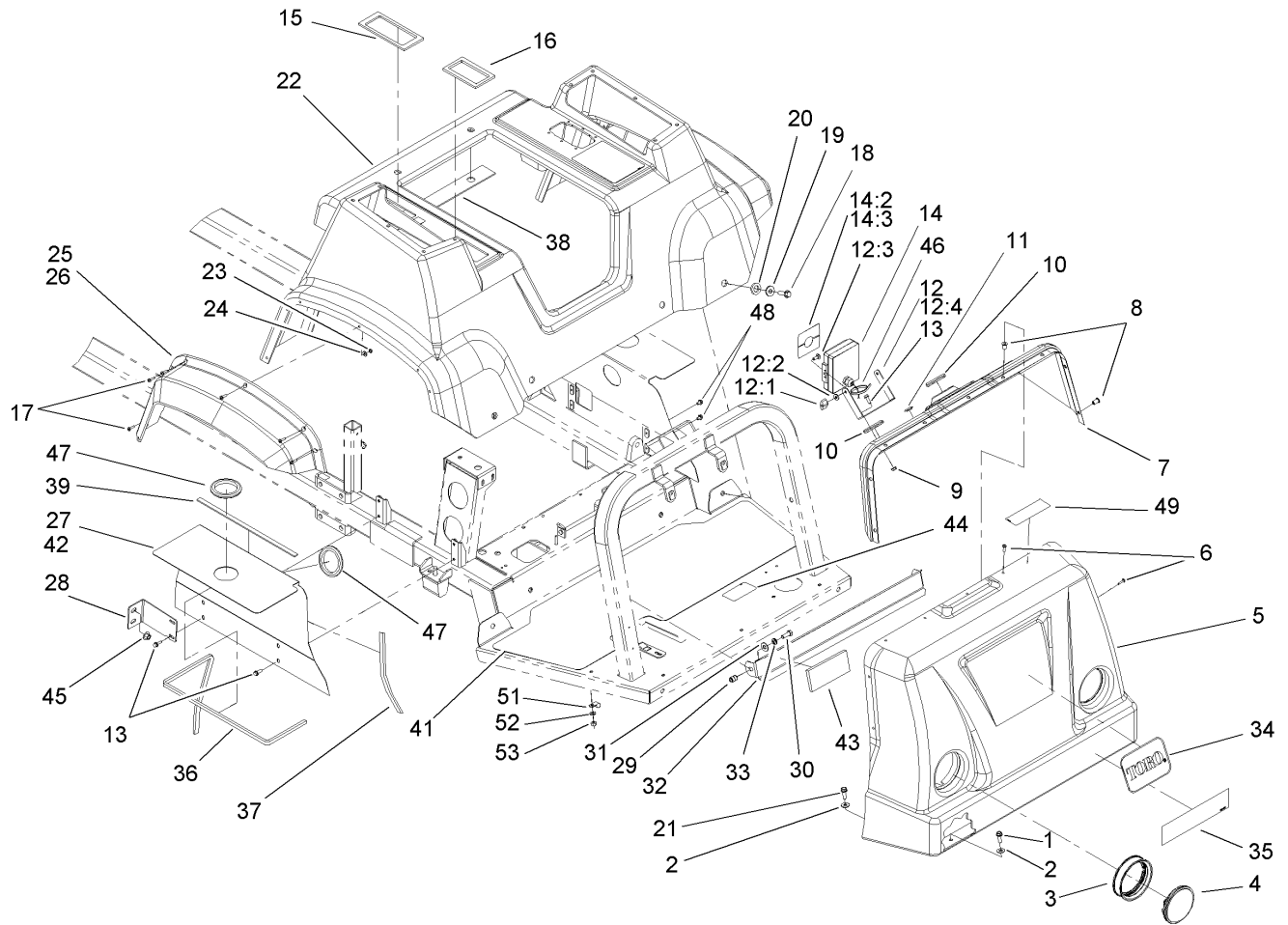
| Ref  | Part No.    | Qty. | Description              |
|------|-------------|------|--------------------------|
| 24   | 100-8534    | 2    | Tie Rod-Steering         |
| 25   | 48-9520     | 2    | Nut                      |
| 26   | 321-6       | 2    | Screw-HH                 |
| 27   | 87-3470     | 2    | Bumper-Axle, Rear        |
| 28   | 108-3684    | 1    | Plug-Hole                |
| 29   | 112771      | 2    | Joint-Ball, LH           |
| 29:1 | 915031      | 1    | Nut                      |
| 30   | 32151-104   | 4    | Ring-Retaining, External |
| 31   | 100-8414    | 1    | RH Axle ASM              |
| 32   | 100-8413    | 1    | LH Axle ASM              |
| 33   | 87-1430     | 4    | Joint-Ball               |
| 34   | 2412-134    | 4    | R-Clamp                  |
| 35   | 32128-33    | 6    | Nut-HF                   |
| 36   | 87-2420     | 4    | Seal-Joint, Ball         |
| 37   | 32128-50    | 2    | Nut-Flange               |
| 38   | 3256-27     | 4    | Washer-Flat              |
| 39   | 32136-2     | 4    | Nut-SHH                  |
| 40   | 3272-17     | 4    | Pin-Cotter               |
| 41   | 108-3353    | 1    | Spindle-RH               |
| 42   | 108-3354    | 1    | Spindle-LH               |
| 43   | 108-3318-03 | 1    | A-Arm, LH                |
| 44   | 108-3653    | 1    | Trim-Edge                |
| 45   | 302-11      | 1    | Fitting-Lube, 45 DEG     |



## Hydraulic Cylinder Assembly No. 100-8278

| Ref | Part No. | Qty. | Description            |
|-----|----------|------|------------------------|
| 1   | 302-60   | 1    | Fitting-Grease, 90 DEG |
| 2   | 107-1552 | 1    | Seal Kit               |
| 3   | 94-3612  | 1    | Ring-Retaining         |
|     |          |      |                        |
|     |          |      |                        |
|     |          |      |                        |
|     |          |      |                        |
|     |          |      |                        |

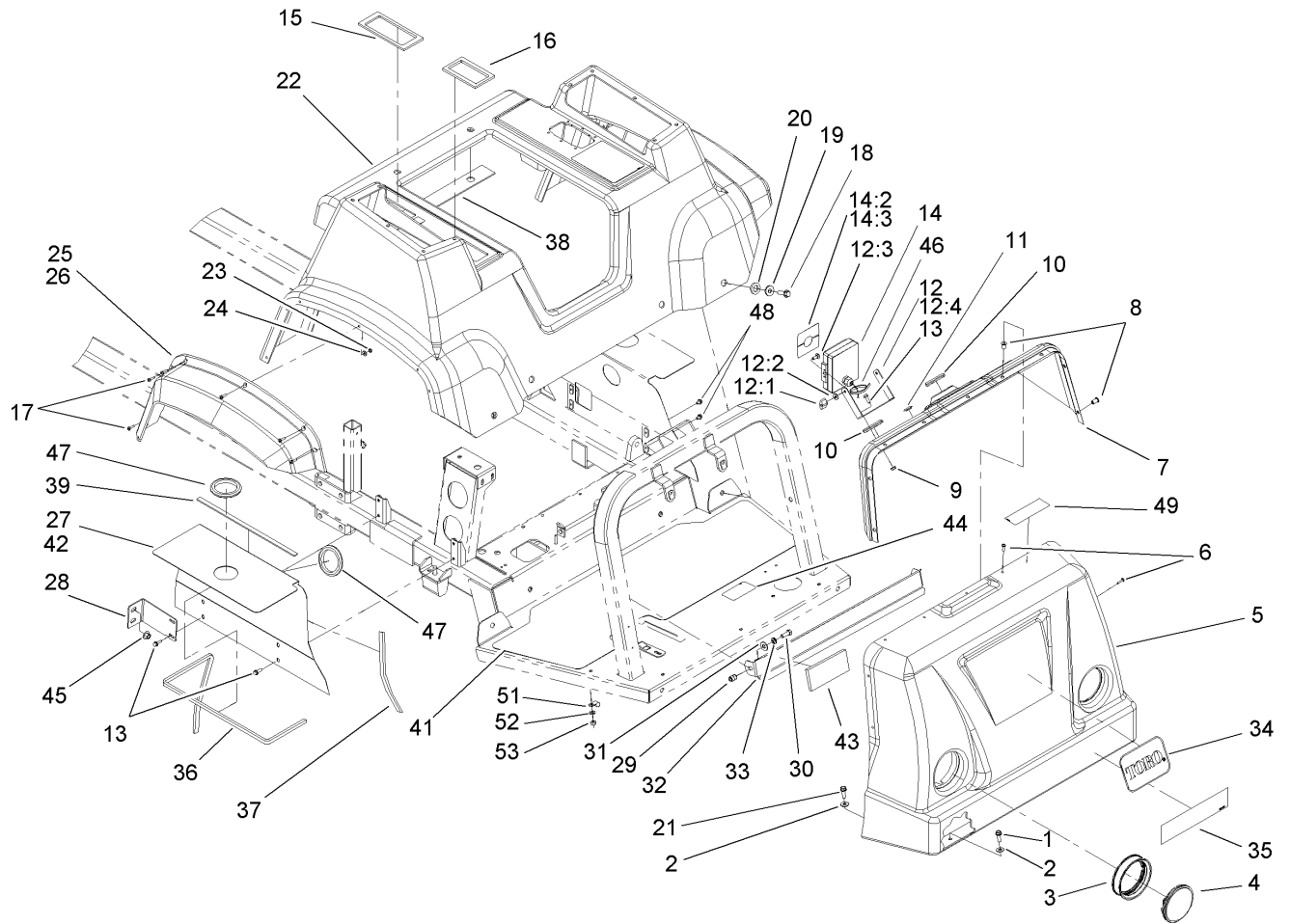
|  |  |  |  |
|--|--|--|--|
|  |  |  |  |
|  |  |  |  |
|  |  |  |  |
|  |  |  |  |
|  |  |  |  |
|  |  |  |  |
|  |  |  |  |
|  |  |  |  |
|  |  |  |  |
|  |  |  |  |
|  |  |  |  |



## Engine Cover Assembly

| Ref  | Part No. | Qty. | Description                  |
|------|----------|------|------------------------------|
| 1    | 3234-17  | 4    | Screw-HHF                    |
| 2    | 3256-3   | 5    | Washer-Flat                  |
| 3    | 99-7311  | 2    | Mount-Headlight              |
| 4    | 99-7310  | 2    | Headlight                    |
| 5    | 100-8281 | 1    | Hood-Front, Console          |
| 6    | 3250-25  | 13   | Screw-PPH                    |
| 7    | 100-6777 | 1    | Dash Panel ASM               |
| 8    | 100-8450 | 19   | Nut-Well                     |
| 9    | 32128-33 | 2    | Nut-HF                       |
| 10   | 40764    | 2    | Grommet                      |
| 11   | 94-7290  | 1    | Plug-Hole                    |
| 12   | 100-6735 | 1    | Monitor Mounting Bracket Kit |
| 12:1 | 99-0667  | 2    | Knob                         |
| 12:2 | 99-0730  | 2    | Washer-Rubber                |
| 12:3 | 106-4868 | 2    | Screw-CARR                   |
| 12:4 | 99-0576  | 1    | Bracket                      |
| 13   | 3234-4   | 8    | Screw-HHF                    |
| 14   | 108-3312 | 1    | Monitor-Spray                |
| 14:2 | 108-3307 | 1    | Decal-Monitor                |
| 14:3 | 108-3309 | 1    | Decal-Monitor, Ce            |
| 15   | 100-8436 | 1    | Seal-Foam                    |
| 16   | 100-8437 | 1    | Seal-Foam                    |
| 17   | 3250-13  | 12   | Screw-PPH                    |
| 18   | 3234-24  | 6    | Screw-HHF                    |

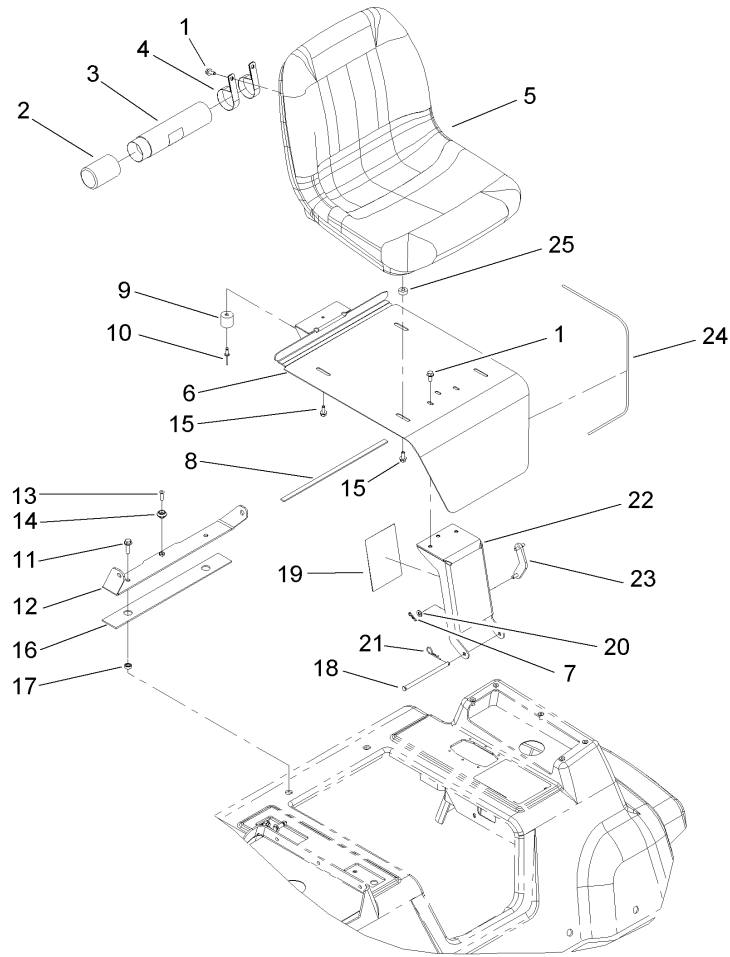
| Ref | Part No.    | Qty. | Description                        |
|-----|-------------|------|------------------------------------|
| 19  | 107-8634    | 6    | Seatbase-Spacer                    |
| 20  | 100-8468    | 6    | Washer-Rubber                      |
| 21  | 3234-36     | 1    | Screw-HHF                          |
| 22  | 100-6776    | 1    | Seat Base ASM                      |
| 23  | 3217-26     | 12   | Nut-Hex                            |
| 24  | 3256-49     | 12   | Washer-Flat                        |
| 25  | 94-7074     | 1    | Flare-Fender, RH                   |
| 26  | 94-7075     | 1    | Flare-Fender, LH                   |
| 27  | 100-8443-03 | 1    | Panel-Shield, RH                   |
| 28  | 100-8623    | 2    | Bracket-Engine Cover Support, Rear |
| 29  | 92-3788     | 2    | Insert                             |
| 30  | 323-6       | 2    | Screw-HH                           |
| 31  | 3256-4      | 2    | Washer-Flat                        |
| 32  | 100-6731-03 | 1    | Shield-Headlight                   |
| 33  | 3253-21     | 2    | Washer-Lock                        |
| 34  | 62-5550     | 1    | Decal                              |
| 35  | 106-5128    | 1    | Decal                              |
| 36  | 100-8423    | 2    | Trim-Shield, Top                   |
| 37  | 100-8444    | 2    | Trim-Shield, Front And Rear        |
| 38  | 100-8463    | 1    | Seal-Foam                          |
| 39  | 100-8499    | 2    | Seal-Foam                          |
| 41  | 100-8622    | 1    | Tread-Floor                        |
| 42  | 100-8448-03 | 1    | Panel-Shield, LH                   |



### Engine Cover Assembly (continued)

| Ref | Part No. | Qty. | Description                   |
|-----|----------|------|-------------------------------|
| 43  | 106-4872 | 2    | Pad-Foam, Headlight           |
| 44  | 100-8619 | 1    | Decal-Switch, Boom            |
| 45  | 32128-43 | 2    | Nut-Flange                    |
| 46  | 3290-379 | 4    | Tie-Cable                     |
| 47  | 237-164  | 4    | Grommet                       |
| 48  | 3234-26  | 2    | Screw                         |
| 49  | 106-5016 | 1    | Decal-Caution, Electric Shock |
| 51  | 98-2390  | 1    | Clamp-R                       |
| 52  | 3296-29  | 1    | Nut-Lock, NI                  |
| 53  | 3256-74  | 1    | Washer-Flat                   |

|  |  |  |  |
|--|--|--|--|
|  |  |  |  |
|  |  |  |  |
|  |  |  |  |
|  |  |  |  |

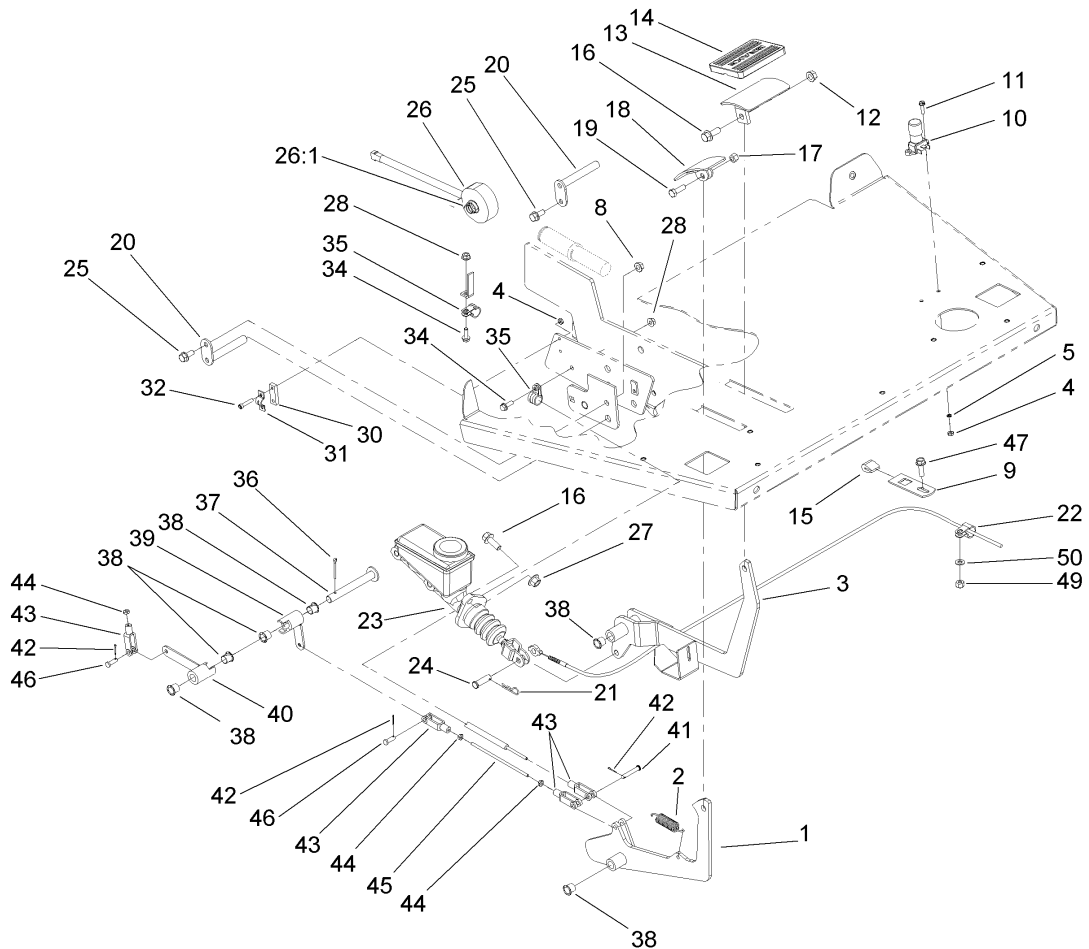


## Seat Support Assembly

| Ref | Part No.    | Qty. | Description           |
|-----|-------------|------|-----------------------|
| 1   | 3234-5      | 5    | Screw-HHF             |
| 2   | 104-7048    | 1    | Cap-Housing           |
| 3   | 104-7050    | 1    | Housing-Manual        |
| 4   | 2412-133    | 2    | R-Clamp               |
| 5   | 106-6672    | 1    | Seat                  |
| 6   | 108-3687-03 | 1    | Bracket-Seat          |
| 7   | 3290-307    | 1    | Pin-Hair              |
| 8   | 100-8499    | 1    | Seal-Foam             |
| 9   | 99-7830     | 1    | Rubber Receptical ASM |
| 10  | 3290-412    | 1    | Rivet                 |
| 11  | 3234-24     | 2    | Screw-HHF             |
| 12  | 107-8614-03 | 1    | Bracket-Seatbelt      |
| 13  | 32108-5     | 1    | Screw-FH              |
| 14  | 99-7833     | 1    | Post-Holding          |
| 15  | 3234-29     | 4    | Screw-HHF             |
| 16  | 100-8463    | 1    | Seal-Foam             |
| 17  | 100-8464    | 2    | Spacer                |
| 18  | 100-8501    | 1    | Pin-Clevis            |
| 19  | 108-3699    | 1    | Decal-Fuse, Block     |
| 20  | 3256-23     | 1    | Washer-Flat           |
| 21  | 9335054     | 1    | Pin-Hair              |
| 22  | 106-4958-03 | 1    | Bracket-Hinge         |
| 23  | 106-5171    | 1    | Prop-Seat             |
| 24  | 100-8500    | 1    | Trim-Seat             |

| Ref | Part No. | Qty. | Description |
|-----|----------|------|-------------|
| 25  | 104-8426 | 4    | Spacer      |

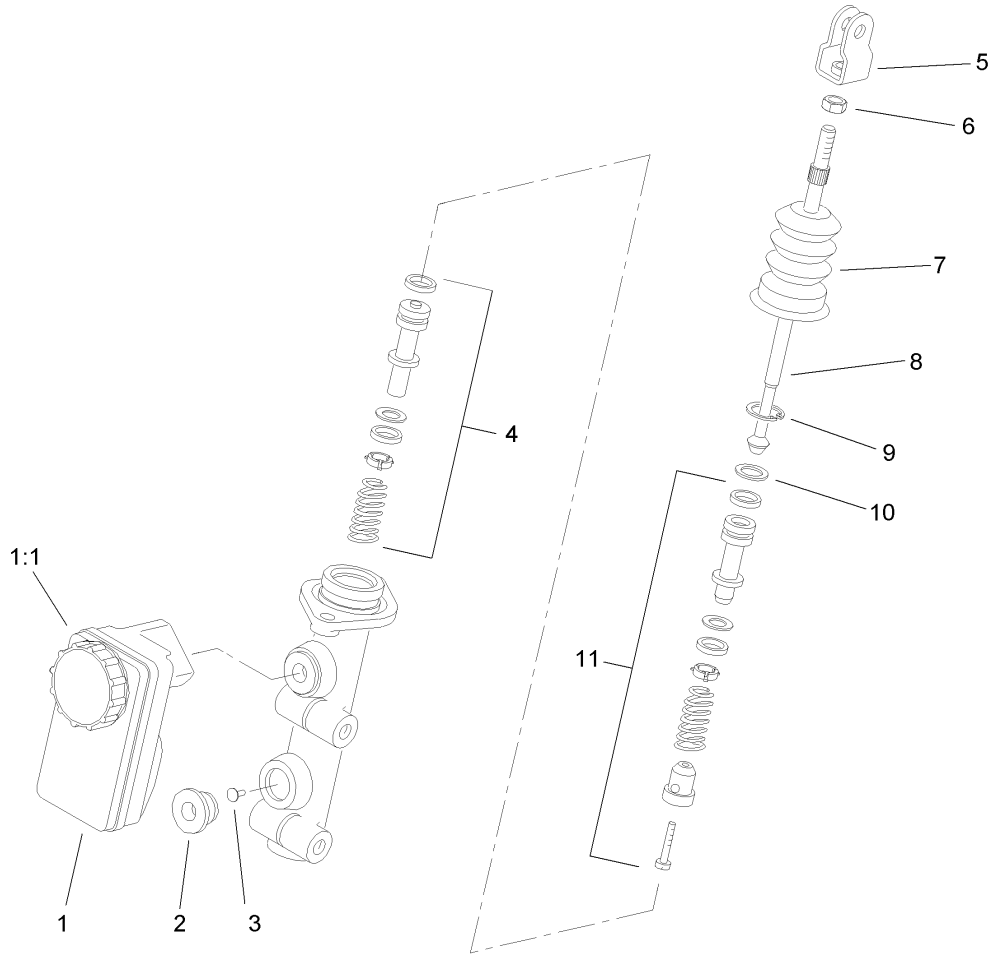




## Brake and Accelerator Pedal Assembly

| Ref | Part No.    | Qty. | Description          |
|-----|-------------|------|----------------------|
| 1   | 100-8367-03 | 1    | Accelerator-Lever    |
| 2   | 67-1450     | 1    | Spring-Idler         |
| 3   | 100-8553-03 | 1    | Brake-Lever          |
| 4   | 3217-26     | 4    | Nut-Hex              |
| 5   | 3253-17     | 2    | Washer-Lock          |
| 8   | 32128-20    | 2    | Nut-HF               |
| 9   | 104-8791-03 | 1    | Plate-Pedal, Stop    |
| 10  | 94-7170     | 1    | Switch-Floor         |
| 11  | 32105-13    | 2    | Screw-HWH            |
| 12  | 32128-21    | 1    | Nut-HF               |
| 13  | 100-8422-03 | 1    | Pedal Bracket ASM    |
| 14  | 7-3900      | 1    | Pad-Brake            |
| 15  | 100-6702    | 3    | Stop-Lever, Pedal    |
| 16  | 3234-11     | 3    | Screw-HHF            |
| 17  | 32153-3     | 1    | Nut-Hex, Side Deform |
| 18  | 93-8969-03  | 1    | Pedal                |
| 19  | 322-5       | 1    | Screw-HH             |
| 20  | 100-8554    | 2    | Pin-Pivot            |
| 21  | 3290-250    | 1    | Pin-Hair             |
| 22  | 98-2390     | 1    | Clamp-R              |
| 23  | 94-3800     | 1    | Master Cylinder ASM  |
| 24  | 283-42      | 1    | Pin-Clevis           |
| 25  | 3234-5      | 2    | Screw-HHF            |
| 26  | 99-8090     | 1    | Magnet ASM           |

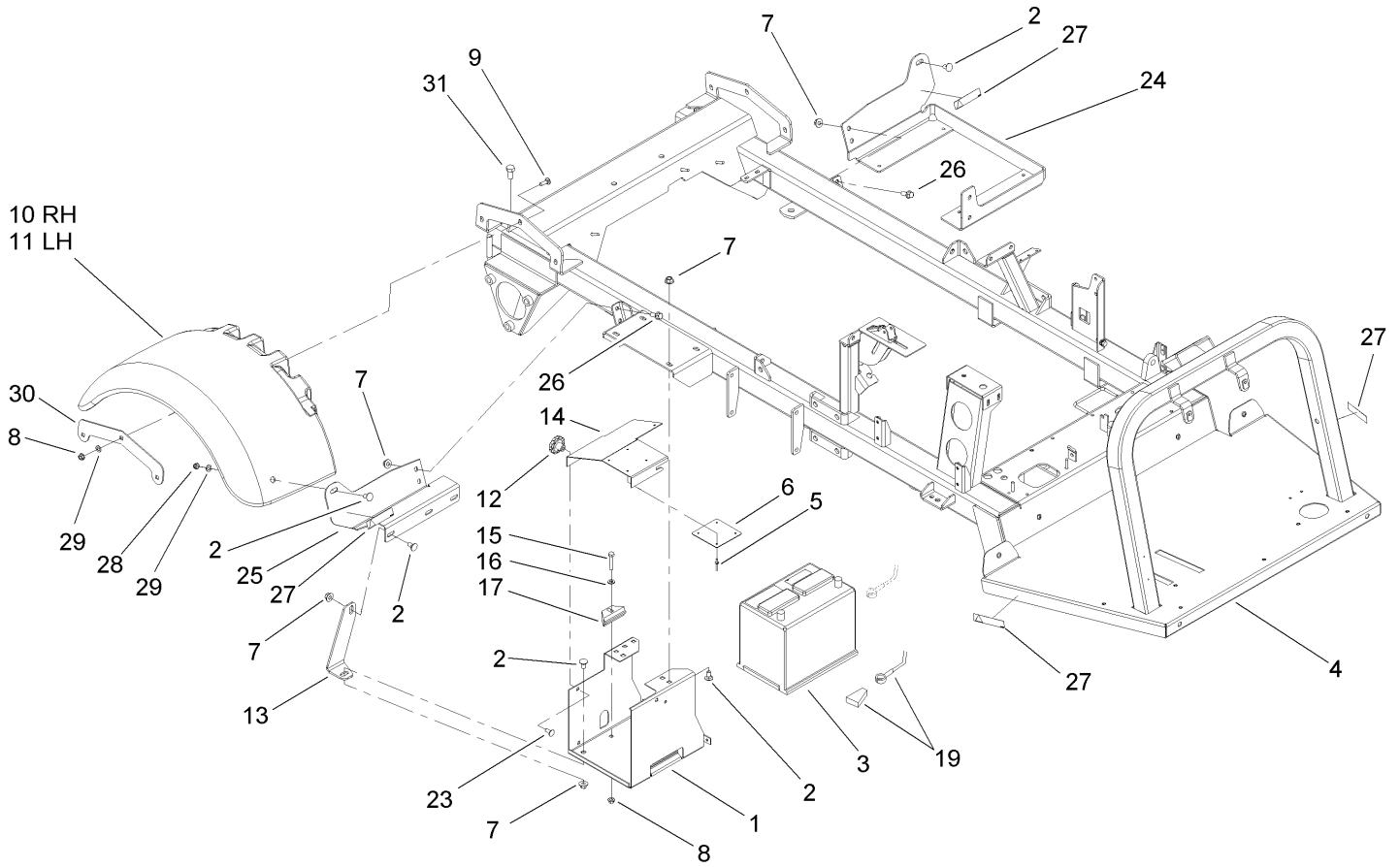
| Ref  | Part No. | Qty. | Description         |
|------|----------|------|---------------------|
| 26:1 | 93-6601  | 1    | Spring-Compression  |
| 27   | 32128-43 | 2    | Nut-Flange          |
| 28   | 32128-33 | 2    | Nut-HF              |
| 30   | 100-8561 | 1    | Plate-Spacer        |
| 31   | 100-8560 | 1    | Bracket-Throttle    |
| 32   | 3274-81  | 2    | Screw-HSH           |
| 34   | 3234-4   | 2    | Screw-HHF           |
| 35   | 2412-134 | 2    | R-Clamp             |
| 36   | 3272-12  | 1    | Pin-Cotter          |
| 37   | 100-8517 | 1    | Pivot Pin ASM       |
| 38   | 256-257  | 8    | Bushing-Nyliner     |
| 39   | 100-8515 | 1    | Arm-Actuator, Short |
| 40   | 100-8512 | 1    | Arm-Actuator, Long  |
| 41   | 283-66   | 1    | Pin-Clevis          |
| 42   | 3272-1   | 3    | Pin-Cotter          |
| 43   | 282-28   | 4    | Clevis-Adjustable   |
| 44   | 3219-14  | 4    | Nut-Hex             |
| 45   | 100-8562 | 1    | Rod-Threaded        |
| 46   | 283-67   | 2    | Pin-Clevis          |
| 47   | 3234-17  | 1    | Screw-HHF           |
| 49   | 3296-29  | 1    | Nut-Lock, NI        |
| 50   | 3256-74  | 1    | Washer-Flat         |



## Master Cylinder Assembly No. 94-3800

| Ref | Part No. | Qty. | Description                |
|-----|----------|------|----------------------------|
| 1   | 87-3040  | 1    | Reservoir-Cylinder, Master |
| 1:1 | 92-4112  | 1    | Cap ASM                    |
| 2   | 93-8971  | 2    | Seal-Port, Flange          |
| 3   | 92-4103  | 1    | Pin-Stop                   |
| 4   | 92-4102  | 1    | Secondary Piston ASM       |
| 5   | 92-4110  | 1    | Clevis                     |
| 6   | 21-0360  | 1    | Nut-Hex                    |
| 7   | 94-5209  | 1    | Cover-Dust                 |
| 8   | 94-5210  | 1    | Rod-Push                   |
| 9   | 92-4109  | 1    | Ring-Snap                  |
| 10  | 92-4108  | 1    | Retainer-Washer            |
| 11  | 92-4101  | 1    | Primary Piston ASM         |

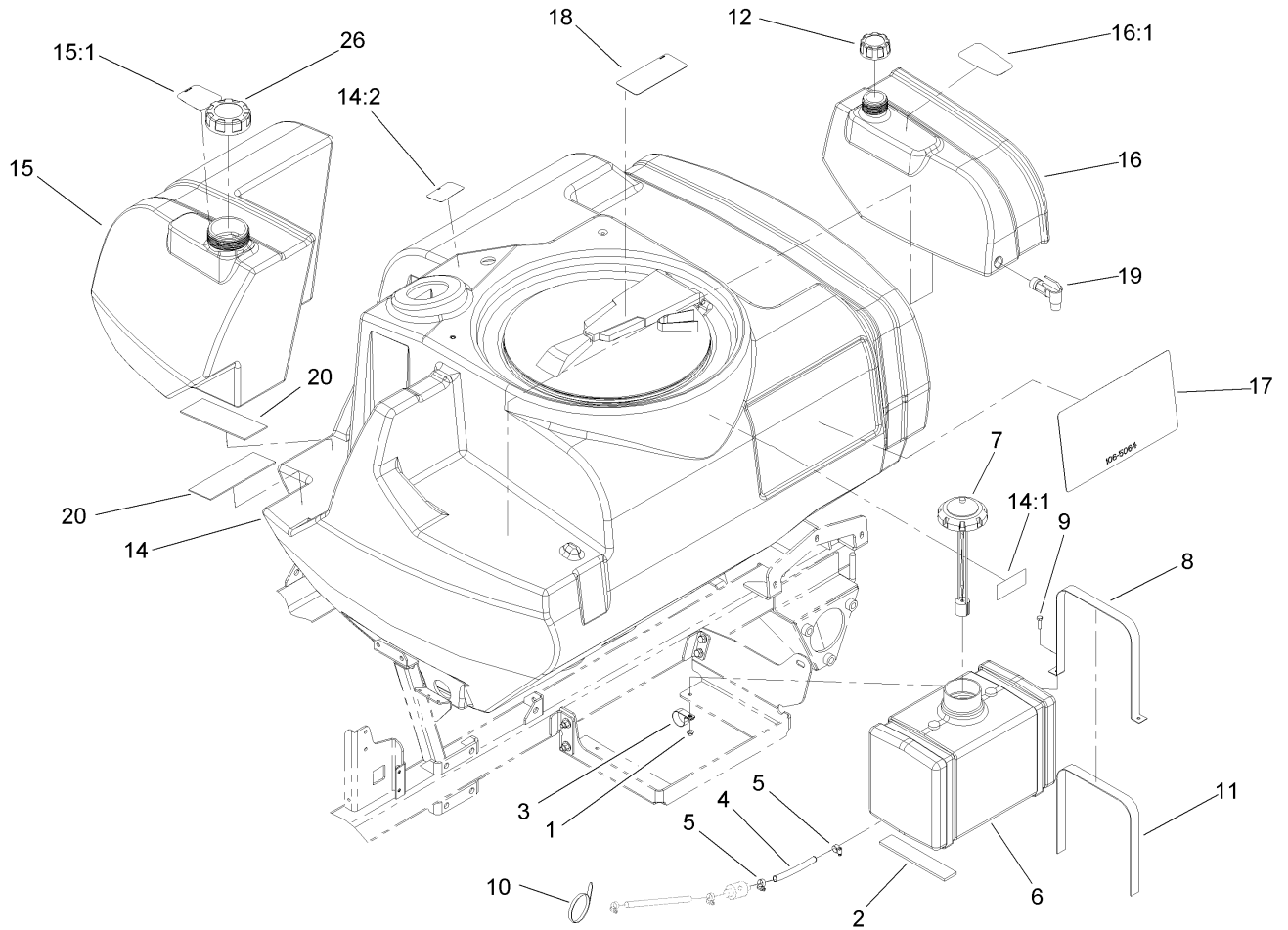
|  |  |  |  |
|--|--|--|--|
|  |  |  |  |
|--|--|--|--|



## Rear Fender and Battery Mount Assembly

| Ref | Part No.    | Qty. | Description              |
|-----|-------------|------|--------------------------|
| 1   | 87-5120-03  | 1    | Bracket-Holder, Battery  |
| 2   | 3231-1      | 6    | Screw-CARR               |
| 3   | 106-5187    | 1    | Battery                  |
| 4   | 108-3665-03 | 1    | Frame-Main               |
| 5   | 3269-27     | 4    | Rivet-Snap               |
| 6   | 87-7620     | 1    | Shield-Terminal, Battery |
| 7   | 32128-43    | 10   | Nut-Flange               |
| 8   | 32128-20    | 7    | Nut-HF                   |
| 9   | 3230-2      | 6    | Bolt-CARR                |
| 10  | 108-3672    | 1    | Fender-Rear, RH          |
| 11  | 108-3673    | 1    | Fender-Rear, LH          |
| 12  | 19-4050     | 2    | Knob                     |
| 13  | 100-8201-03 | 1    | Support-Battery          |
| 14  | 87-5130-03  | 1    | Cover-Battery            |
| 15  | 322-9       | 1    | Screw-HH                 |
| 16  | 3256-23     | 1    | Washer-Flat              |
| 17  | 66-2490     | 1    | Retainer-Battery         |
| 19  | 108-9472    | 1    | Cable-Battery, Positive  |
| 23  | 3230-23     | 2    | Screw-CARR               |
| 24  | 108-3664-03 | 1    | Bracket-Mount            |
| 25  | 108-3659-03 | 1    | Support-Fender           |
| 26  | 3234-11     | 6    | Screw-HHF                |
| 27  | 108-3252    | 4    | Decal-Torque, Ce         |
| 28  | 3296-59     | 6    | Nut-Lock, NI             |

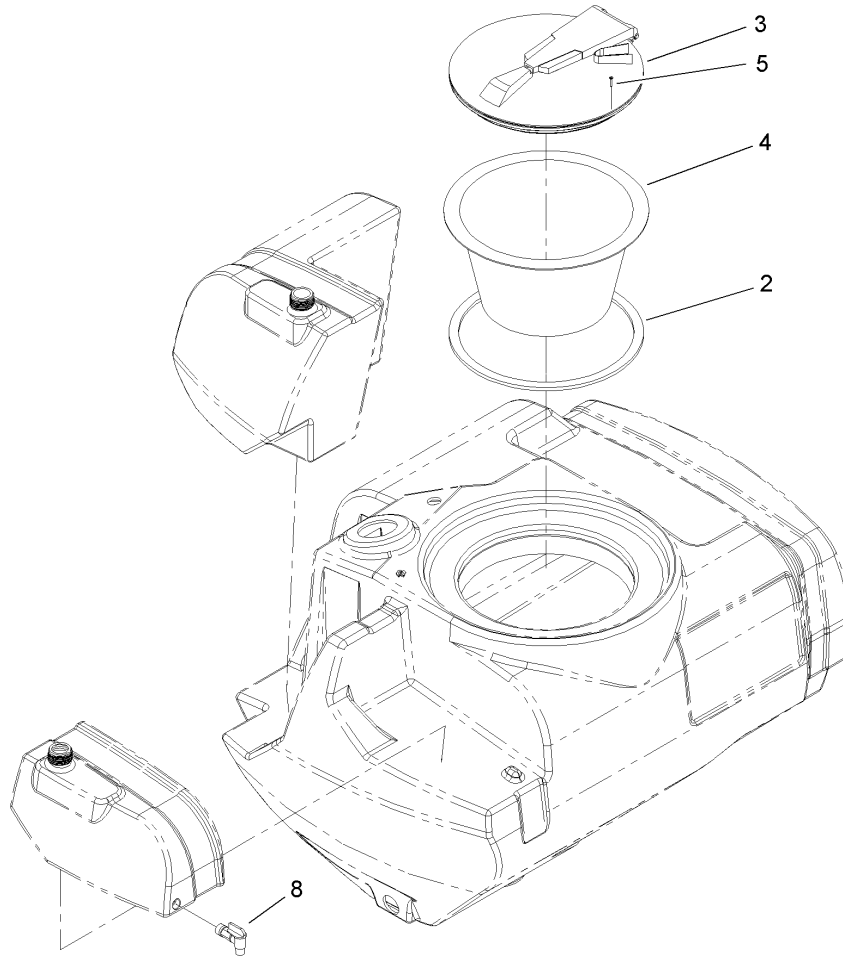
| Ref | Part No.    | Qty. | Description    |
|-----|-------------|------|----------------|
| 29  | 3256-46     | 6    | Washer-Flat    |
| 30  | 108-3656-03 | 2    | Bracket-Fender |
| 31  | 325-4       | 2    | Screw-HH       |



### Fresh Water Tank Assembly

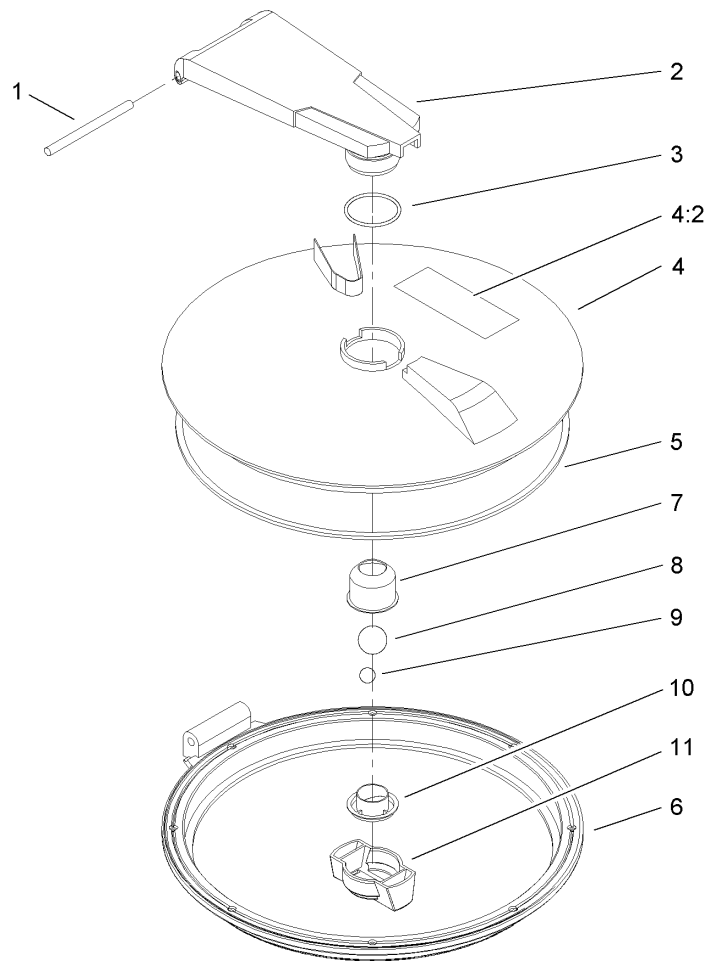
| Ref  | Part No.    | Qty. | Description               |
|------|-------------|------|---------------------------|
| 1    | 32128-33    | 4    | Nut-HF                    |
| 2    | 100-8524    | 2    | Strip-Foam                |
| 3    | 2412-126    | 1    | R-Clamp                   |
| 4    | 108-3682    | 1    | Hose-Fuel                 |
| 5    | 2412-108    | 2    | Clamp-Worm                |
| 6    | 100-8294    | 1    | Tank-Fuel                 |
| 7    | 100-8386    | 1    | Fuel Cap And Guage ASM    |
| 8    | 106-4867-03 | 2    | Strip-Hold Down, Gas Tank |
| 9    | 321-6       | 4    | Screw-HH                  |
| 10   | 3290-379    | 4    | Tie-Cable                 |
| 11   | 108-3378    | 2    | Strap-Strip, Felt         |
| 12   | 106-5052    | 1    | Cap-Water, Fresh          |
| 14   | 108-3350    | 1    | 175 Gallon Tank ASM       |
| 14:1 | 106-1355    | 1    | Decal-No Tank Entry       |
| 14:2 | 106-5065    | 1    | Decal-Drain, Tank         |
| 15   | 106-5046    | 1    | 20 Gallon Tank ASM        |
| 15:1 | 107-8640    | 1    | Decal-Tank, Rinse         |
| 16   | 106-5047    | 1    | 5 Gallon Tank ASM         |
| 16:1 | 106-5051    | 1    | Decal-Flush, Tank         |
| 17   | 106-5064    | 2    | Decal-Profile, Low        |
| 18   | 93-0688     | 1    | Decal-Warning, Chemical   |
| 19   | 106-4925    | 1    | Spigot-90 DEG             |
| 20   | 107-8629    | 2    | Pad-Rubber                |
| 26   | 107-8641    | 1    | Cap-Water, Fresh          |

|  |  |  |  |
|--|--|--|--|
|  |  |  |  |
|  |  |  |  |
|  |  |  |  |
|  |  |  |  |



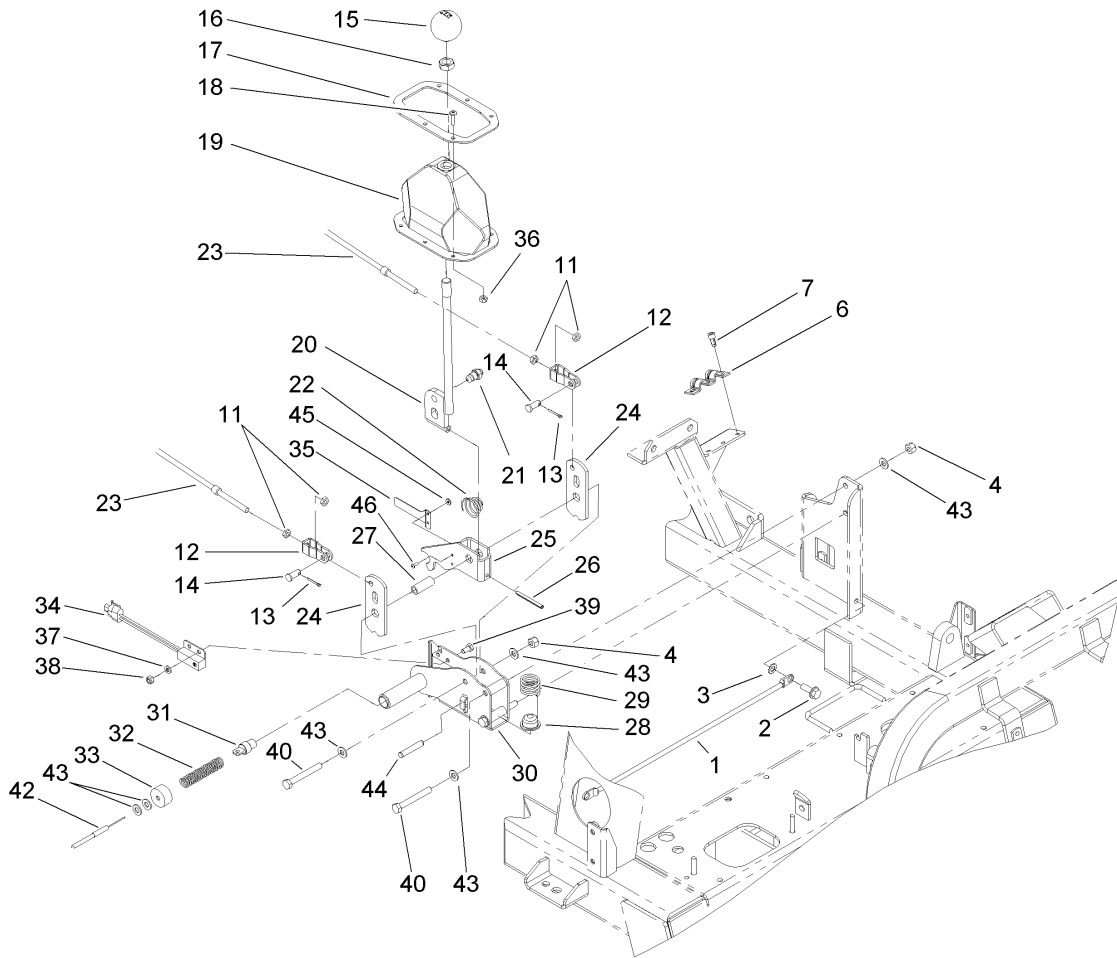
## Main Tank Assembly

| Ref | Part No. | Qty. | Description             |  |  |  |  |
|-----|----------|------|-------------------------|--|--|--|--|
| 2   | 106-4991 | 1    | Seal-Lid                |  |  |  |  |
| 3   |          | 1    | Screw Type Tank Lid ASM |  |  |  |  |
| 4   | 104-9051 | 1    | Basket-Strainer         |  |  |  |  |
| 5   | 107-8635 | 8    | Screw-PFH               |  |  |  |  |
| 8   | 106-4925 | 1    | Spigot-90 DEG           |  |  |  |  |



### Lid Assembly

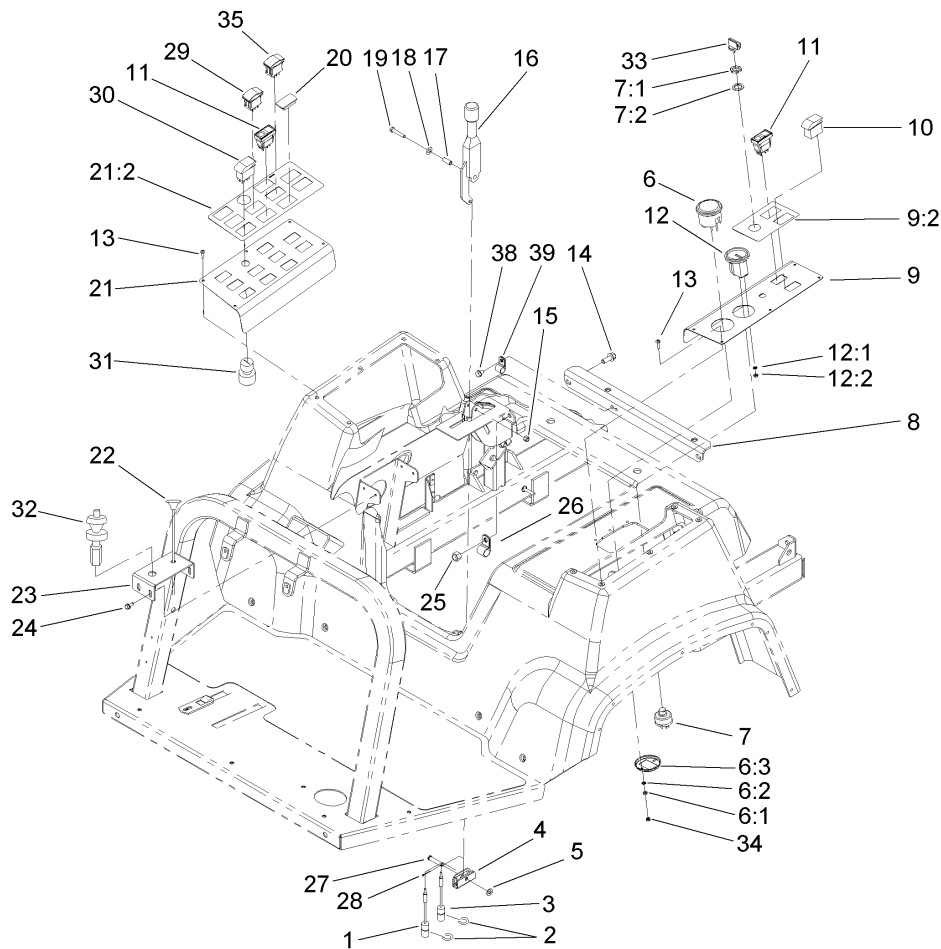
| Ref | Part No. | Qty. | Description             |  |  |  |  |
|-----|----------|------|-------------------------|--|--|--|--|
| 1   | 106-5000 | 1    | Pin-Pivot               |  |  |  |  |
| 2   | 106-5001 | 1    | Arm                     |  |  |  |  |
| 3   | 106-5002 | 1    | O-Ring                  |  |  |  |  |
| 4   | 106-1369 | 1    | Lid                     |  |  |  |  |
| 4:2 | 93-0688  | 1    | Decal-Warning, Chemical |  |  |  |  |
| 5   | 106-5004 | 1    | Seal-Lid                |  |  |  |  |
| 6   | 106-5005 | 1    | Ring                    |  |  |  |  |
| 7   | 106-5006 | 1    | Cup-Vent                |  |  |  |  |
| 8   | 106-5007 | 1    | Ball-Floating           |  |  |  |  |
| 9   | 106-5008 | 1    | Ball-Weight             |  |  |  |  |
| 10  | 106-5009 | 1    | Holder-Ball             |  |  |  |  |
| 11  | 106-5010 | 1    | Nut-Wing                |  |  |  |  |



## Shifter Assembly

| Ref | Part No.   | Qty. | Description               |
|-----|------------|------|---------------------------|
| 1   | 108-3698   | 1    | Cable-Battery, Negative   |
| 2   | 32144-14   | 1    | Screw-HWHTF               |
| 3   | 3255-8     | 1    | Washer-Lock               |
| 4   | 3296-29    | 3    | Nut-Lock, NI              |
| 6   | 87-4960    | 1    | Clamp-Cable               |
| 7   | 65-5220    | 3    | Screw-HSH, Thread Forming |
| 11  | 3220-1     | 4    | Nut-Jam                   |
| 12  | 87-2310    | 2    | Clevis-Cable              |
| 13  | 3272-6     | 2    | Pin-Cotter                |
| 14  | 283-62     | 2    | Pin-Clevis                |
| 15  | 87-6720    | 1    | Knob-Shift                |
| 16  | 3218-18    | 1    | Nut-Jam                   |
| 17  | 87-3760-03 | 1    | Plate-Boot, Shift         |
| 18  | 3250-13    | 6    | Screw-PPH                 |
| 19  | 87-8620    | 1    | Shift Boot ASM            |
| 20  | 87-2040    | 1    | Shift Lever ASM           |
| 21  | 108-3325   | 1    | Pin-Shifter               |
| 22  | 87-2900    | 1    | Spring-Compression        |
| 23  | 100-8359   | 2    | Cable-Shift               |
| 24  | 87-3540    | 2    | Link-Shift                |
| 25  | 108-3565   | 1    | Bracket-Shifter           |
| 26  | 32121-48   | 1    | Pin-Spring                |
| 27  | 108-3570   | 3    | Tube-Shifter              |
| 28  | 87-3530    | 1    | Button-Shifter            |

| Ref | Part No.  | Qty. | Description            |
|-----|-----------|------|------------------------|
| 29  | 87-3660   | 1    | Spring-Compression     |
| 30  | 108-3579  | 1    | Clevis                 |
| 31  | 108-3558  | 1    | Pin-Retracting         |
| 32  | 108-3557  | 1    | Spring                 |
| 33  | 108-3564  | 1    | Cap-Spring             |
| 34  | 105-0023  | 1    | Switch-Proximity       |
| 35  | 108-3571  | 1    | Flag-Sensor, Proximity |
| 36  | 3296-2    | 6    | Nut-Lock               |
| 37  | 33093-00  | 2    | Washer-Flat            |
| 38  | 33023-00  | 2    | Nut-Lock               |
| 39  | 33113-012 | 2    | Screw-HH               |
| 40  | 322-12    | 3    | Screw-HH               |
| 42  | 108-3553  | 1    | Shift Lock Cable ASM   |
| 43  | 3256-74   | 8    | Washer-Flat            |
| 44  | 3290-507  | 1    | Pin-Dowel              |
| 45  | 5-1254    | 2    | Washer                 |
| 46  | 923786    | 2    | Rivet                  |

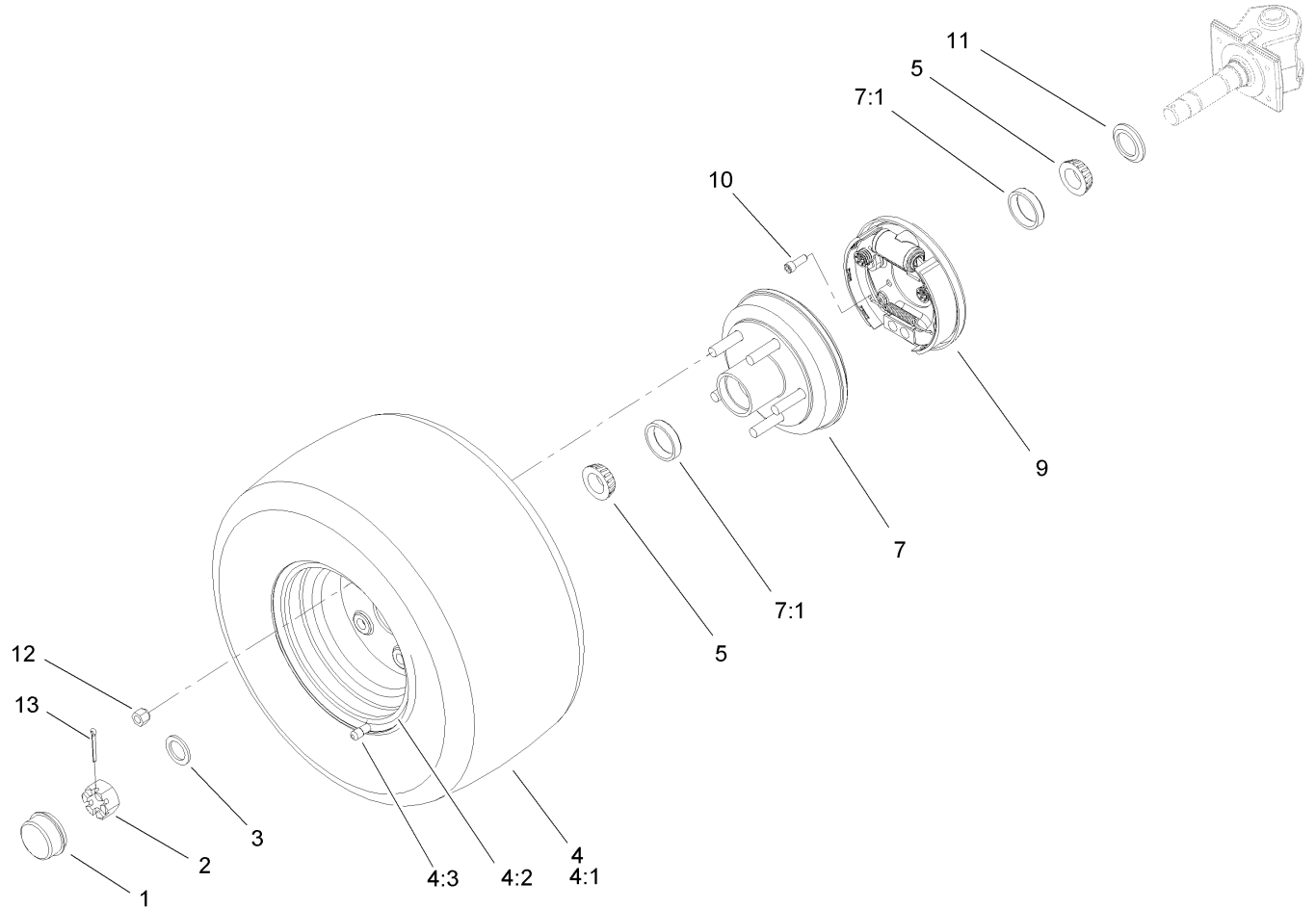


## Parking Brake and Console Assembly

| Ref  | Part No.    | Qty. | Description               |
|------|-------------|------|---------------------------|
| 1    | 87-8240     | 1    | Cable-Brake               |
| 2    | 32120-47    | 2    | Ring-Retaining, External  |
| 3    | 100-8261    | 1    | Cable-Park Brake, RH      |
| 4    | 87-3480     | 1    | Bracket-Equalizer, Cable  |
| 5    | 3256-23     | 1    | Washer-Flat               |
| 6    | 98-2160     | 1    | Voltmeter                 |
| 6:1  | 3217-27     | 1    | Nut-Hex                   |
| 6:2  | 3255-25     | 1    | Washer-Lock               |
| 6:3  | 78-0080     | 1    | Clamp-Mounting            |
| 7    | 83-0020     | 1    | Switch-Ignition           |
| 7:1  | 218-461     | 1    | Nut-HH                    |
| 7:2  | 3254-5      | 1    | Washer-Tooth              |
| 8    | 106-4859-03 | 1    | Bracket-Seatbox           |
| 9    | 100-8452    | 1    | Vehicle Control Panel ASM |
| 9:2  | 100-8470    | 1    | Decal-Controls            |
| 10   | 100-8469    | 1    | Switch-Rocker             |
| 11   | 104-9007    | 2    | Switch-Rocker             |
| 12   | 66-2950     | 1    | Gauge-Hourmeter           |
| 12:1 | 3255-20     | 2    | Washer-Lock               |
| 12:2 | 3217-25     | 2    | Nut-Hex                   |
| 13   | 3250-25     | 10   | Screw-PPH                 |
| 14   | 3234-11     | 2    | Screw-HHF                 |
| 15   | 3296-42     | 1    | Nut-Lock, NI              |
| 16   | 87-2710     | 1    | Lever-Brake               |

| Ref  | Part No.    | Qty. | Description                |
|------|-------------|------|----------------------------|
| 17   | 87-4710     | 1    | Spacer-Brake, Parking      |
| 18   | 3290-477    | 1    | Washer-Curved              |
| 19   | 321-9       | 1    | Screw-HH                   |
| 20   | 99-7420     | 3    | Plug-Hole                  |
| 21   | 100-8505    | 1    | Spray Control Panel ASM    |
| 21:2 | 100-8489    | 1    | Decal-Control, Spray       |
| 22   | 41697       | 1    | Choke-Control              |
| 23   | 100-8385-03 | 1    | Bracket-Speed, Throttle    |
| 24   | 32144-10    | 4    | Screw-HWH                  |
| 25   | 32128-21    | 2    | Nut-HF                     |
| 26   | 2412-81     | 2    | Clamp-R                    |
| 27   | 94-3829     | 1    | Pin-Clevis                 |
| 28   | 3272-6      | 1    | Pin-Cotter                 |
| 29   | 100-1535    | 1    | Switch                     |
| 30   | 100-8490    | 3    | Switch-Dpdt                |
| 31   | 94-5245     | 1    | Switch-Key                 |
| 32   | 100-8384    | 1    | Throttle Speed Control ASM |
| 33   | 63-8360     | 2    | Key-Ignition               |
| 34   | 32149-9     | 2    | Nut-Keps                   |
| 35   | 100-1535    | 2    | Switch                     |
| 38   | 32104-82    | 1    | Screw-HHF                  |
| 39   | 2412-39     | 1    | R-Clamp                    |

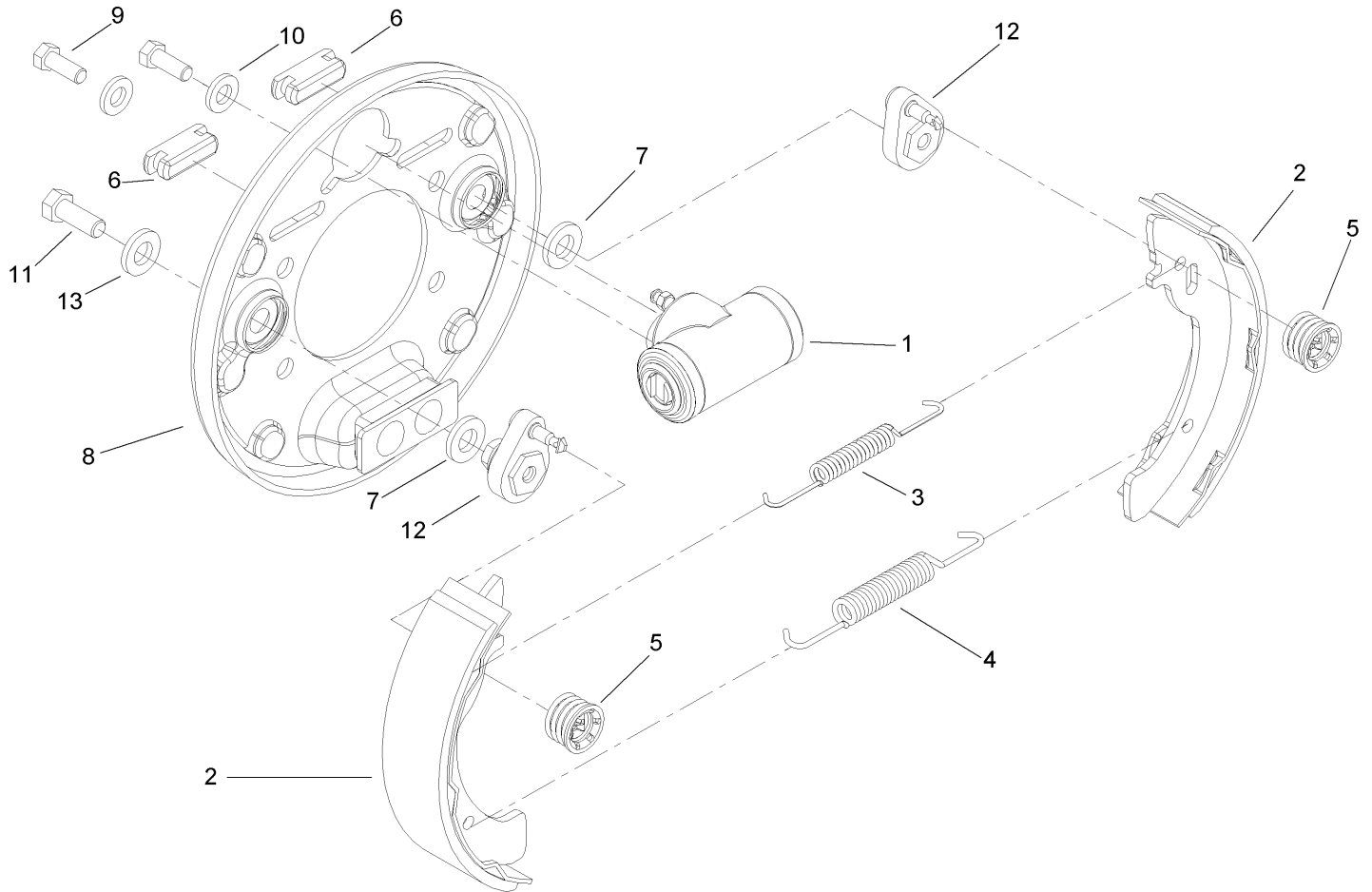




## Front Wheel Assembly

| Ref | Part No. | Qty. | Description              |
|-----|----------|------|--------------------------|
| 1   | 241-119  | 2    | Cap-Dust                 |
| 2   | 1-809082 | 2    | Nut-SHH                  |
| 3   | 27-1850  | 2    | Washer-Pivot             |
| 4   | 93-6487  | 2    | Front Tire And Wheel ASM |
| 4:1 | 93-6486  | 1    | Tire                     |
| 4:2 | 241-121  | 1    | Wheel ASM                |
| 4:3 | 232-27   | 1    | Stem-Valve               |
| 5   | 254-92   | 4    | Cone-Bearing, Outer      |
| 7   | 100-8287 | 2    | Hub/Drum-Front           |
| 7:1 | 254-72   | 2    | Bearing-Cup, Tapered     |
| 9   | 100-8285 | 2    | Front Brake ASM          |
| 10  | 3273-14  | 8    | Screw-HSH                |
| 11  | 253-129  | 2    | Seal                     |
| 12  | 321077   | 10   | Nut-Wheel                |
| 13  | 3272-13  | 2    | Pin-Cotter               |

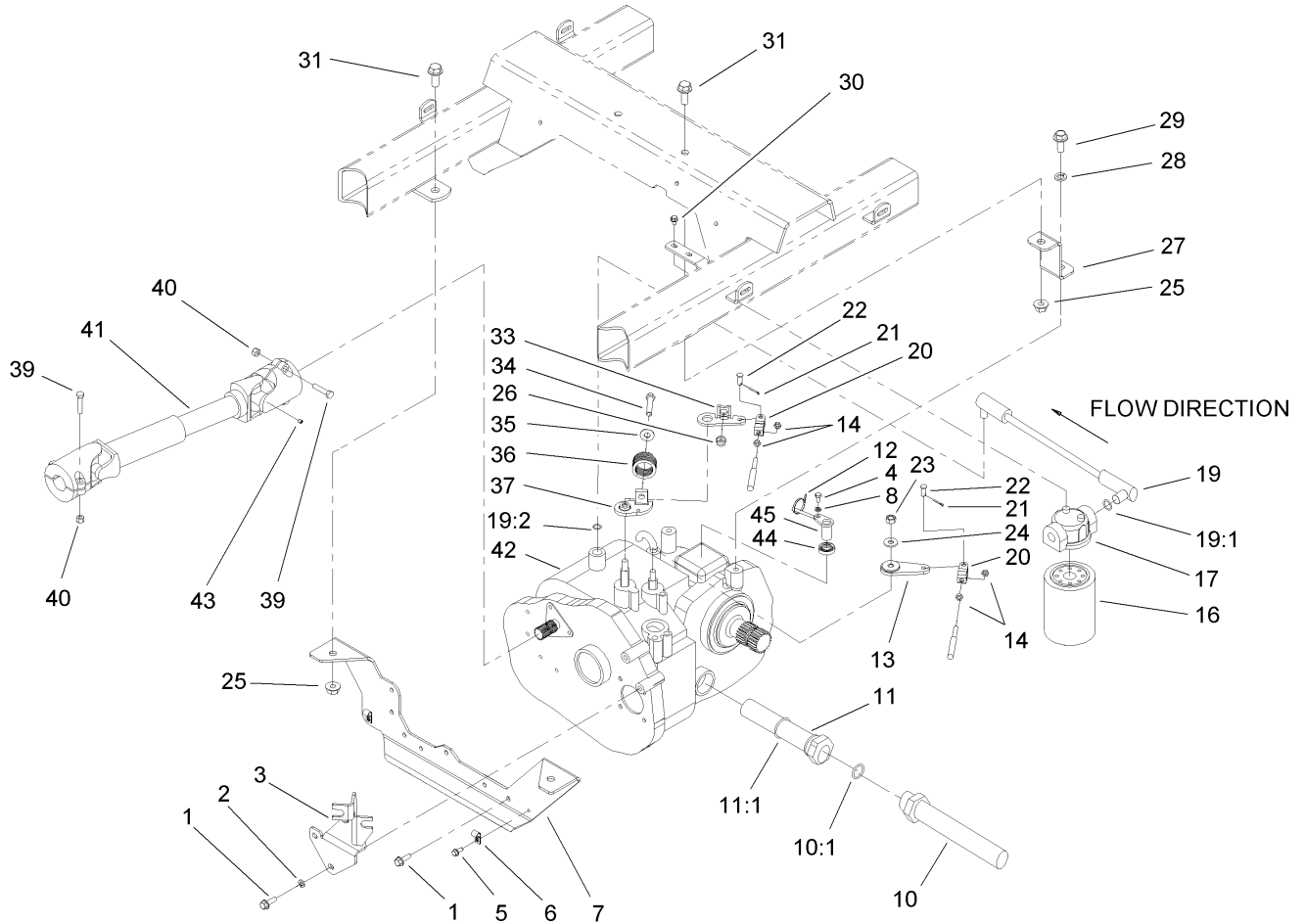
|  |  |  |  |
|--|--|--|--|
|  |  |  |  |
|--|--|--|--|



## Front Brake Assembly No. 100-8285

| Ref | Part No.  | Qty. | Description               |
|-----|-----------|------|---------------------------|
| 1   | 100-8580  | 1    | Wheel Cylinder ASM        |
| 2   | 100-8587  | 1    | Shoe Set                  |
| 3   | 100-8581  | 1    | Spring-Upper              |
| 4   | 100-8582  | 1    | Spring-Lower              |
| 5   | 100-8583  | 2    | Shoe Hold Down Spring ASM |
| 6   | 100-8584  | 2    | Cover-Dust                |
| 7   | 100-8585  | 2    | Washer-Bellville          |
| 8   | 100-8586  | 1    | Backing Plate ASM         |
| 9   | 33103-012 | 2    | Screw-HHF                 |
| 10  | 3253-3    | 2    | Washer-Lock               |
| 11  | 329-2     | 2    | Screw-HH                  |
| 12  | 100-8588  | 2    | Adjuster Lever ASM        |
| 13  | 3256-1    | 2    | Washer-Flat               |

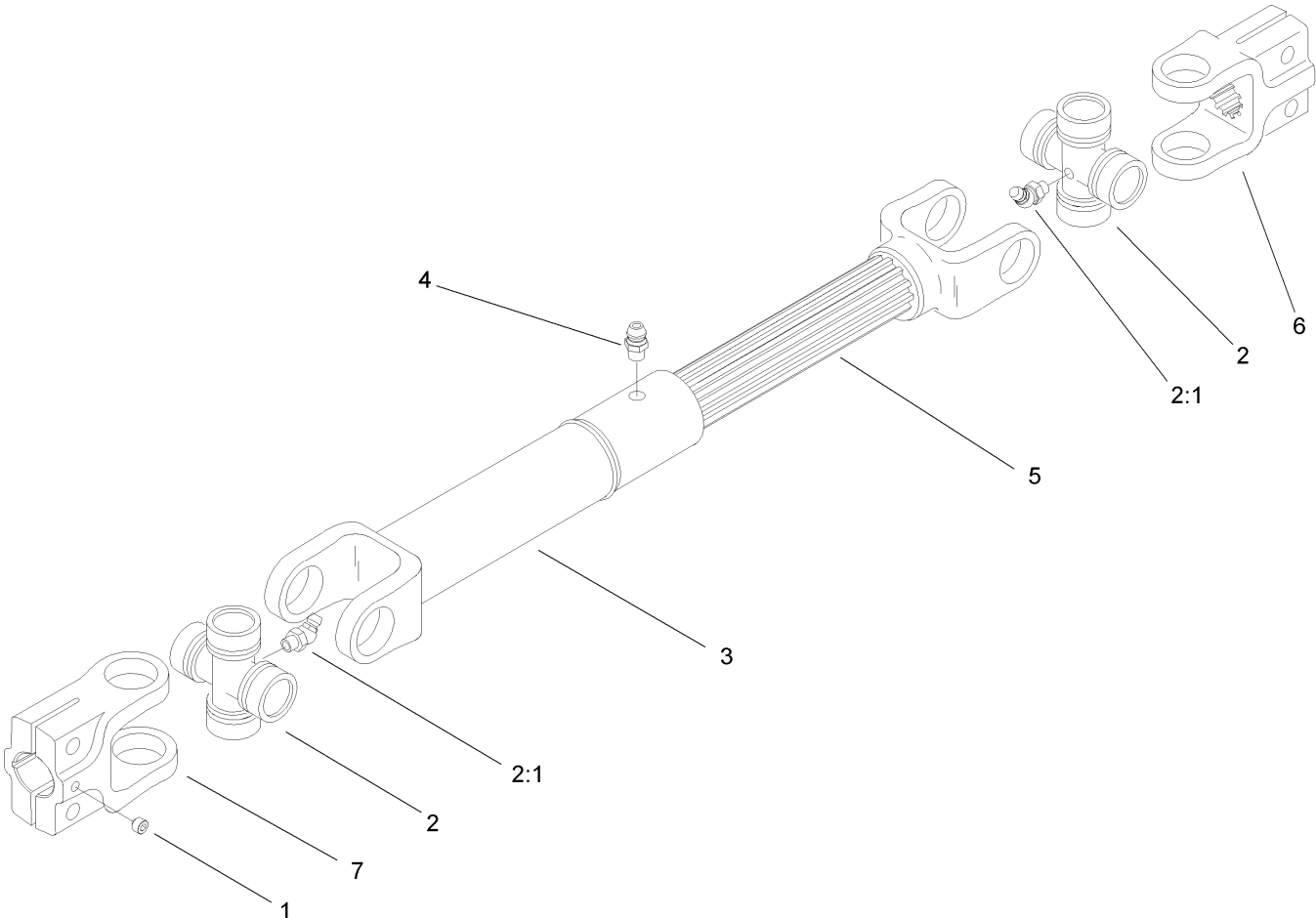
|  |  |  |  |
|--|--|--|--|
|  |  |  |  |
|  |  |  |  |
|  |  |  |  |
|  |  |  |  |
|  |  |  |  |
|  |  |  |  |
|  |  |  |  |
|  |  |  |  |
|  |  |  |  |
|  |  |  |  |



## Transaxle Installation Assembly

| Ref  | Part No.    | Qty. | Description              |
|------|-------------|------|--------------------------|
| 1    | 33104-025   | 10   | Screw-HHF                |
| 2    | 3253-4      | 10   | Washer-Lock              |
| 3    | 107-8749-03 | 1    | Bracket-Cable            |
| 4    | 33113-012   | 1    | Screw-HH                 |
| 5    | 32144-10    | 2    | Screw-HWH                |
| 6    | 2412-89     | 2    | Clamp                    |
| 7    | 100-8531-03 | 1    | Transaxle-Mount          |
| 8    | 48-8020     | 1    | Washer-Spring            |
| 10   | 100-8250    | 1    | Hose-Suction             |
| 10:1 | 237-81      | 1    | O-Ring                   |
| 11   | 87-3990     | 1    | Strainer-Transaxle       |
| 11:1 | 237-123     | 1    | O-Ring                   |
| 12   | 3290-379    | 4    | Tie-Cable                |
| 13   | 87-7960     | 1    | Lever-Shift              |
| 14   | 3220-1      | 4    | Nut-Jam                  |
| 16   | 54-0110     | 1    | Filter-Oil, Transmission |
| 17   | 87-8780     | 1    | Head-Filter              |
| 19   | 100-8254    | 1    | Hose-Return, Axle        |
| 19:1 | 237-79      | 1    | O-Ring                   |
| 19:2 | 237-42      | 1    | O-Ring                   |
| 20   | 87-2310     | 2    | Clevis-Cable             |
| 21   | 3290-307    | 2    | Pin-Hair                 |
| 22   | 283-62      | 2    | Pin-Clevis               |
| 23   | 48-9520     | 2    | Nut                      |

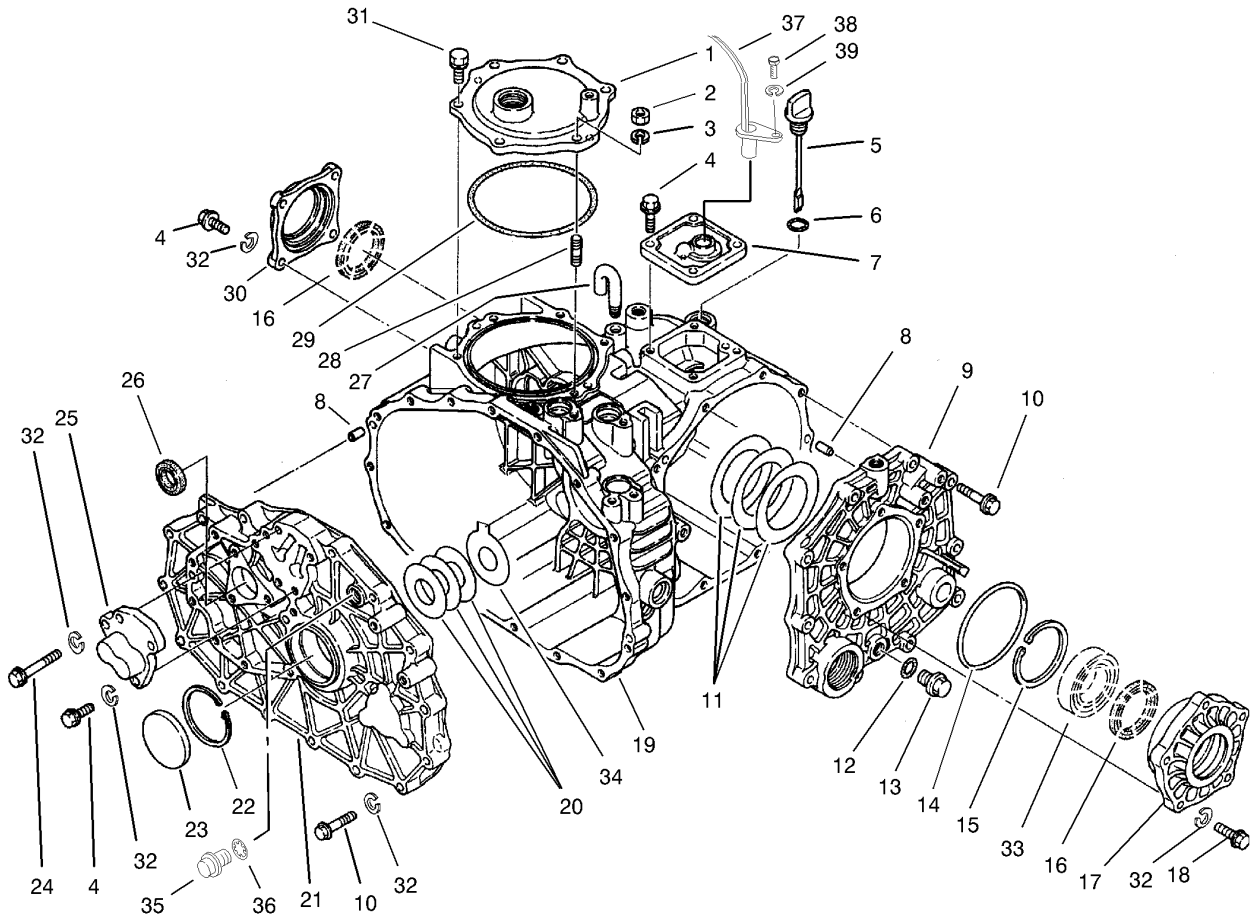
| Ref | Part No.    | Qty. | Description            |
|-----|-------------|------|------------------------|
| 24  | 80-6990     | 2    | Washer-Hardened        |
| 25  | 32128-49    | 2    | Nut-HHF                |
| 26  | 32128-21    | 1    | Nut-HF                 |
| 27  | 100-8220-03 | 2    | Strap-Mount, Transaxle |
| 28  | 3253-7      | 2    | Washer-Lock            |
| 29  | 33106-030   | 2    | Screw-HHF              |
| 30  | 3234-33     | 2    | Screw-HHF              |
| 31  | 3234-32     | 4    | Screw-HHF              |
| 33  | 87-8250     | 1    | Plate-Arm, Shift       |
| 34  | 323-10      | 1    | Screw-HH               |
| 35  | 3256-4      | 1    | Washer-Flat            |
| 36  | 87-6910     | 1    | Spring-Compression     |
| 37  | 87-7970     | 1    | Arm-Shift              |
| 39  | 322-7       | 4    | Screw-HH               |
| 40  | 3296-29     | 4    | Nut-Lock, NI           |
| 41  | 100-8293    | 1    | Shaft-Drive, Input     |
| 42  | 104-9078    | 1    | Transaxle              |
| 43  | 3245-32     | 1    | Screw-HSH              |
| 44  | 92-3735     | 1    | Seal-Oil, Sensor       |
| 45  | 85-4350     | 1    | Sensor-Geartooth       |



## Drive Shaft Assembly No. 100-8293

| Ref | Part No. | Qty. | Description               |
|-----|----------|------|---------------------------|
| 1   | 3245-32  | 1    | Screw-HSH                 |
| 2   | 54-9180  | 2    | U-Joint Kit               |
| 2:1 | 62-3820  | 1    | Fitting-Grease            |
| 3   | 100-8631 | 1    | Yoke-Tube And Slip Sleeve |
| 4   | 302-56   | 1    | Fitting-Grease            |
| 5   | 100-8634 | 1    | Yoke And Shaft            |
| 6   | 100-8632 | 1    | Yoke-Splined              |
| 7   | 100-8633 | 1    | Yoke-Keyed                |

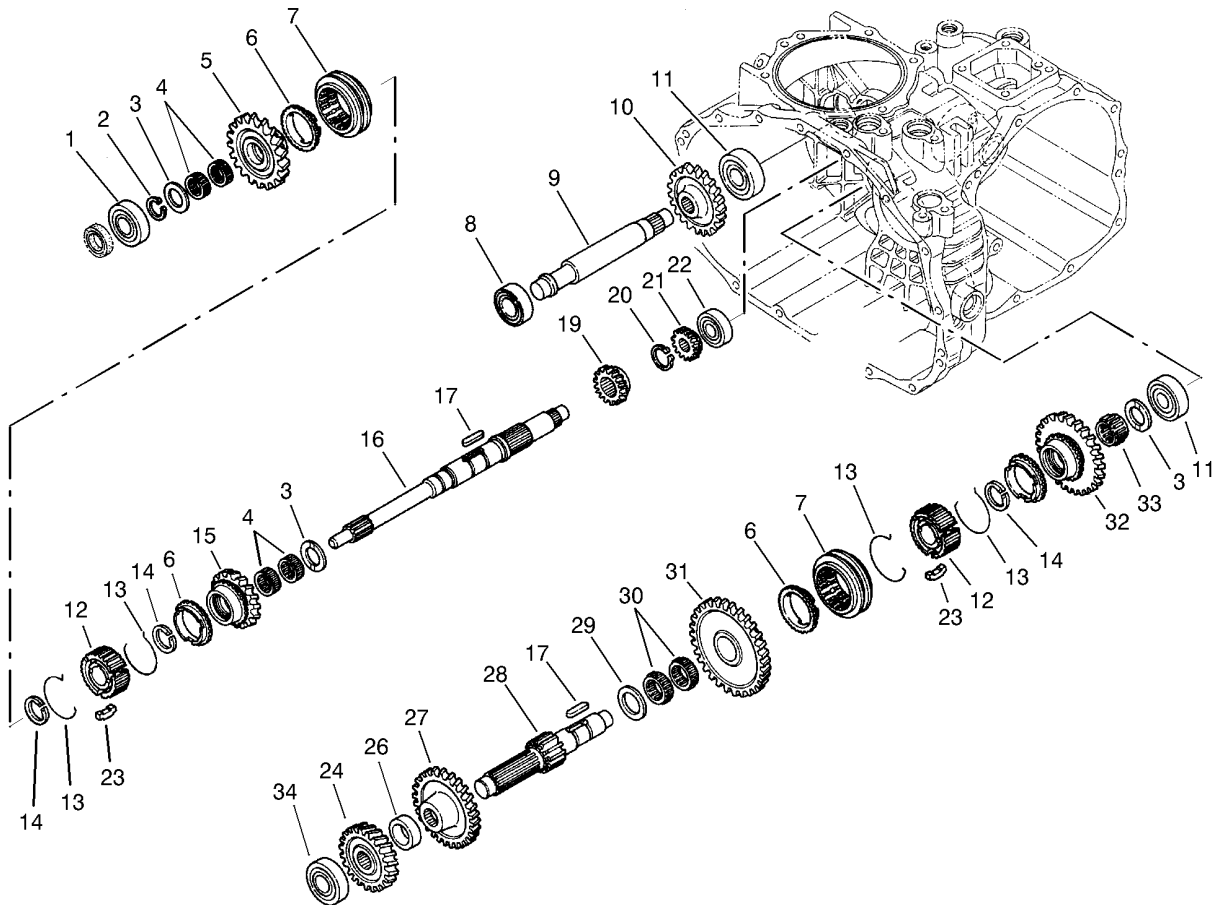
|  |  |  |  |
|--|--|--|--|
|  |  |  |  |
|  |  |  |  |
|  |  |  |  |
|  |  |  |  |
|  |  |  |  |



## Transaxle Case Assembly Transaxle Assembly No. 104-9078

| Ref | Part No.  | Qty. | Description          |
|-----|-----------|------|----------------------|
| 1   | 100-8595  | 1    | Cover-PTO            |
| 2   | 48-7930   | 1    | Nut                  |
| 3   | 92-0762   | 1    | Washer-Spring        |
| 4   | 33114-025 | 11   | Screw-HH             |
| 5   | 92-0662   | 1    | Cap-Oil              |
| 6   | 92-0788   | 1    | O-Ring               |
| 7   | 92-0810   | 1    | Cover-Upper, Sensor  |
| 8   | 92-0765   | 4    | Pin-Parallel         |
| 9   | 92-0653   | 1    | Cover-Side           |
| 10  | 33114-040 | 25   | Screw-HH             |
| 11  | 92-0809   | 1    | Set-Shim             |
| 12  | 92-0787   | 1    | O-Ring               |
| 13  | 92-0773   | 1    | Plug-Drain           |
| 14  | 92-0789   | 1    | O-Ring               |
| 15  | 92-0760   | 1    | Ring-Snap            |
| 16  | 92-0793   | 2    | Seal-Oil             |
| 17  | 92-0654   | 1    | Carrier-Differential |
| 18  | 48-7730   | 5    | Screw-HH             |
| 19  | 92-0651   | 1    | Case-Transmission    |
| 20  | 100-4460  | 1    | Shim Set             |
| 21  | 100-4461  | 1    | Plate-Center         |
| 22  | 92-0759   | 1    | Ring-Snap            |
| 23  | 92-0807   | 1    | Cap-Sealing          |
| 24  | 48-7560   | 1    | Bolt-HH              |

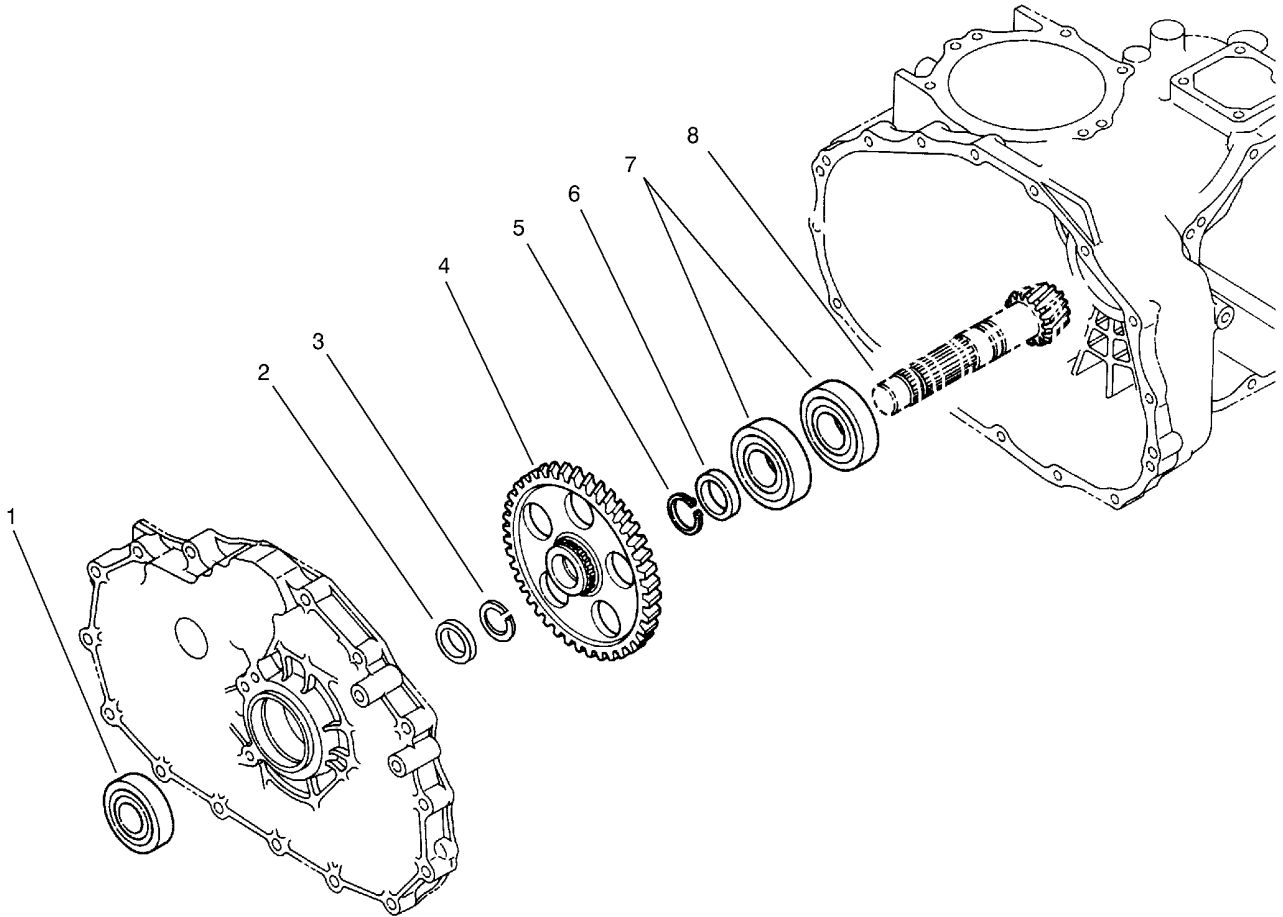
| Ref | Part No. | Qty. | Description        |
|-----|----------|------|--------------------|
| 25  | 92-0706  | 1    | Shaft-Fork         |
| 26  | 92-0791  | 1    | Seal-Oil           |
| 27  | 92-0743  | 1    | Breather-Air       |
| 28  | 92-0804  | 1    | Stud               |
| 29  | 92-0790  | 1    | O-Ring             |
| 30  | 92-0655  | 1    | Cover-Seal, Axle   |
| 31  | 92-0796  | 5    | Bolt               |
| 32  | 3253-4   | 42   | Washer-Lock        |
| 33  | 92-0775  | 2    | Bearing            |
| 34  | 100-4465 | 1    | Shim (W/Tab)       |
| 35  | 100-6924 | 1    | Plug               |
| 36  | 100-6925 | 1    | Packing            |
| 37  | 85-4350  | 1    | Sensor-Gear tooth  |
| 38  | 48-7610  | 1    | Screw              |
| 39  | 48-8020  | 1    | Washer-Spring      |
| ●99 | 100-6928 | 1    | Bolt               |
| ●99 | 100-8594 | 1    | Cover-Shaft, Input |



## Transaxle Gear Shaft Assembly Transaxle Assembly No. 104-9078

| Ref | Part No. | Qty. | Description              |
|-----|----------|------|--------------------------|
| 1   | 251-8    | 1    | Bearing-Ball             |
| 2   | 92-0753  | 1    | Ring-Snap                |
| 3   | 92-0740  | 3    | Washer-Thrust            |
| 4   | 92-0781  | 4    | Bearing-Needle           |
| 5   | 100-8597 | 1    | Gear-Main, 36 Tooth      |
| 6   | 92-0667  | 3    | Ring-Synchro             |
| 7   | 92-0668  | 2    | Shifter-Synchro          |
| 8   | 251-346  | 2    | Bearing-Ball             |
| 9   | 100-8602 | 1    | Shaft-Idler, Reverse     |
| 10  | 92-0684  | 1    | Gear-Reverse, 33 Tooth   |
| 11  | 92-0778  | 2    | Bearing                  |
| 12  | 92-0664  | 2    | Hub-Synchro              |
| 13  | 92-0666  | 4    | Spring-Synchro           |
| 14  | 92-0763  | 3    | Ring-Snap                |
| 15  | 100-8598 | 1    | Gear-Main, 20 Tooth      |
| 16  | 100-8596 | 1    | Shaft-Main               |
| 17  | 92-0772  | 2    | Key                      |
| 19  | 92-0671  | 1    | Gear-Main, 22 Tooth      |
| 20  | 92-0754  | 1    | Ring-Snap                |
| 21  | 92-0673  | 1    | Gear-Main, 14 Tooth      |
| 22  | 92-0650  | 1    | Bearing                  |
| 23  | 92-0665  | 6    | Key-Synchro              |
| 24  | 92-0676  | 1    | Gear-Reduction, 32 Tooth |
| 26  | 100-8601 | 1    | Collar                   |

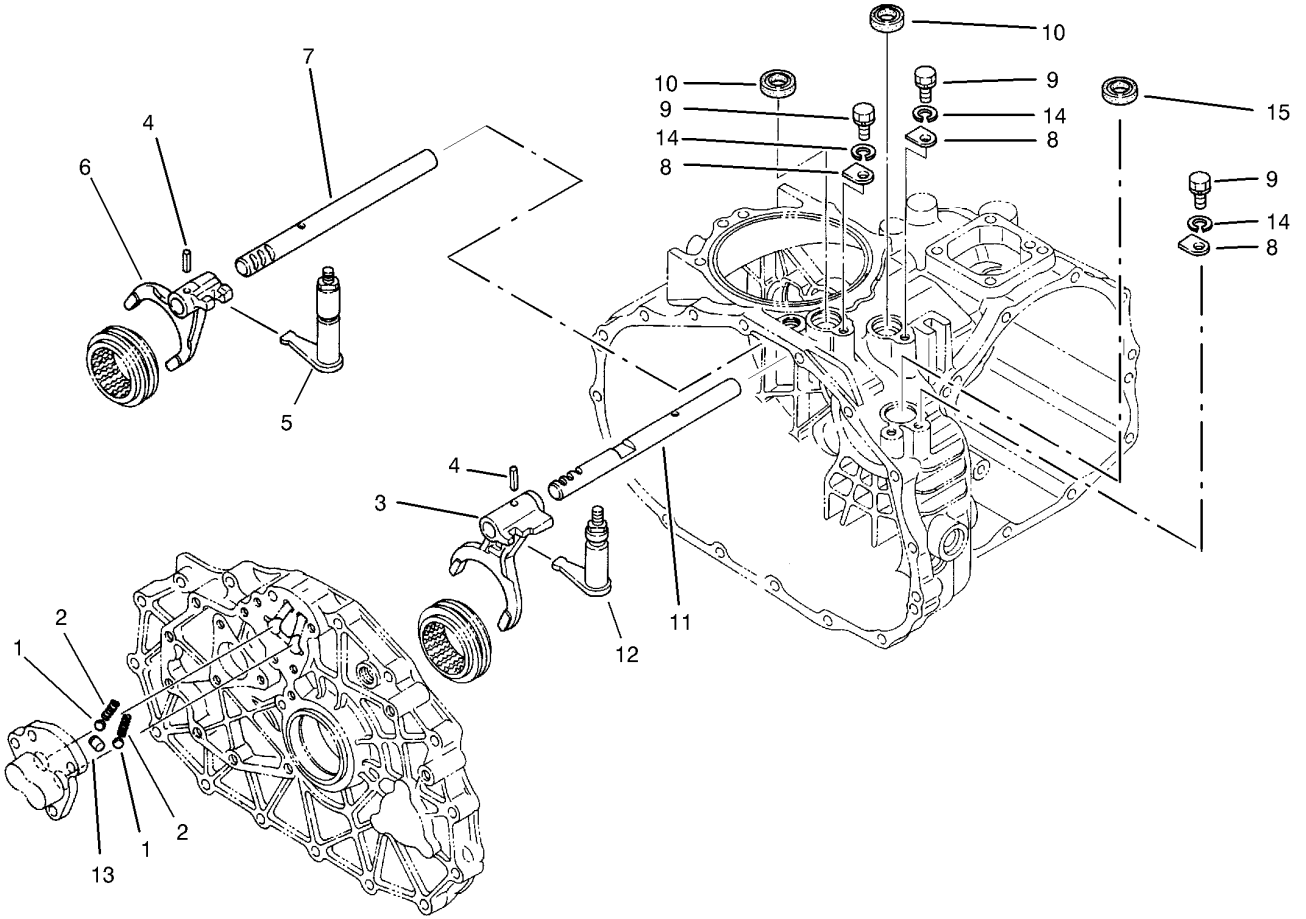
| Ref | Part No. | Qty. | Description              |
|-----|----------|------|--------------------------|
| 27  | 92-0819  | 1    | Gear-Reduction, 40 Tooth |
| 28  | 92-0674  | 1    | Shaft-Reduction          |
| 29  | 92-0682  | 1    | Washer-Thrust            |
| 30  | 92-0681  | 2    | Bearing-Needle           |
| 31  | 100-8599 | 1    | Gear-Red, 25 Tooth       |
| 32  | 100-8600 | 1    | Gear-Red, 47 Tooth       |
| 33  | 92-0782  | 1    | Bearing-Needle           |
| 34  | 105-7985 | 1    | Bearing                  |



## Countershaft Assembly Transaxle Assembly No. 104-9078

| Ref | Part No. | Qty. | Description  |
|-----|----------|------|--------------|
| 1   | 92-0712  | 1    | Bearing-Ball |
| 2   | 92-0716  | 1    | Collar       |
| 3   | 92-0764  | 1    | Ring-Snap    |
| 4   | 100-8603 | 1    | Gear-Count   |
| 5   | 92-0755  | 1    | Ring-Snap    |
| 6   | 92-0713  | 1    | Collar       |
| 7   | 92-0714  | 2    | Bearing      |
| 8   | 92-0710  | 1    | Gear-Ring    |

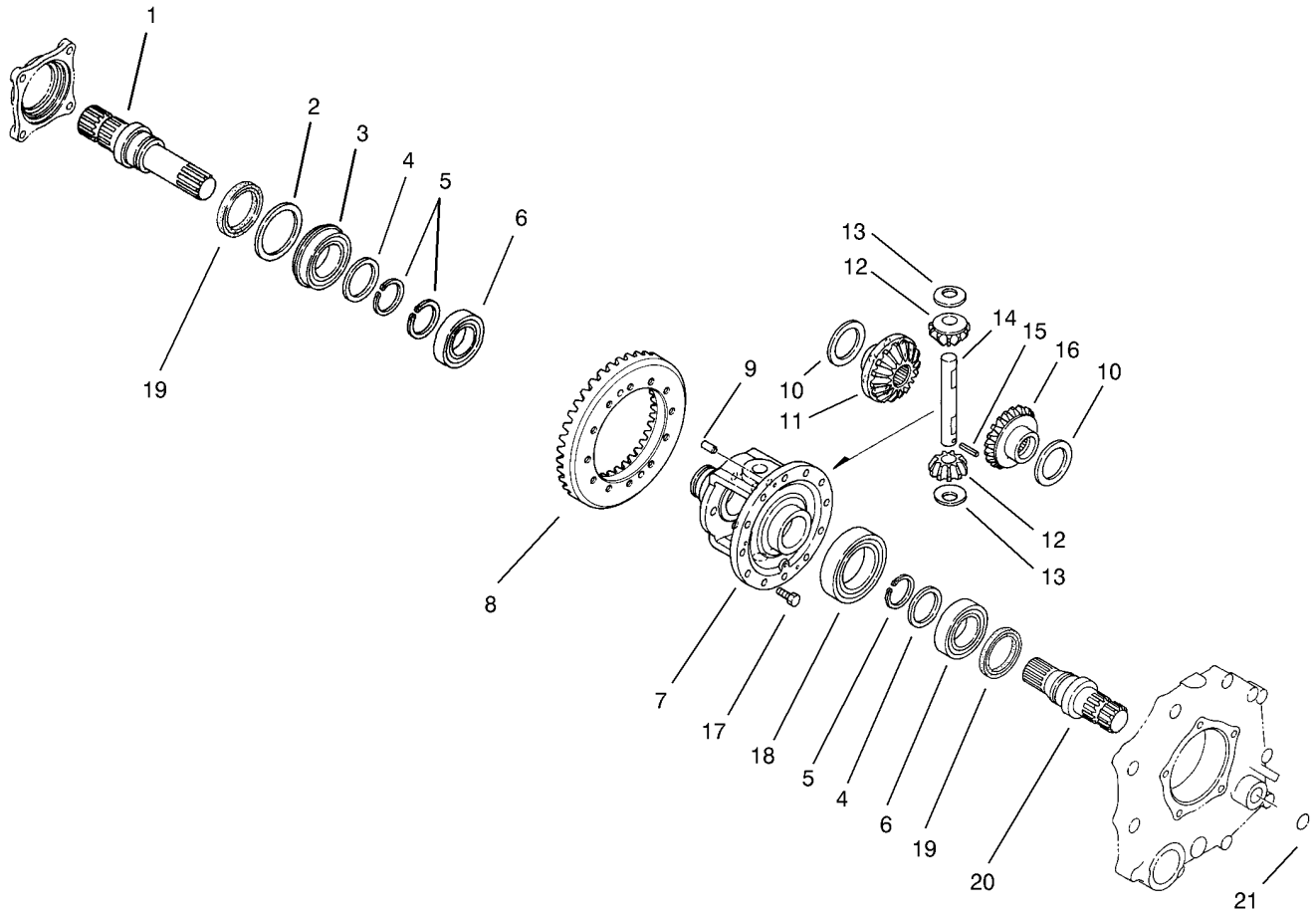
|  |  |  |  |
|--|--|--|--|
|  |  |  |  |
|--|--|--|--|



## Shift Fork Assembly Transaxle Assembly No. 104-9078

| Ref | Part No.  | Qty. | Description  |
|-----|-----------|------|--------------|
| 1   | 92-0785   | 3    | Ball-Steel   |
| 2   | 92-0731   | 3    | Spring       |
| 3   | 92-0700   | 1    | Fork-Shift   |
| 4   | 92-0769   | 2    | Pin-Roll     |
| 5   | 92-0817   | 1    | Arm-Shift    |
| 6   | 92-0701   | 1    | Fork-Shift   |
| 7   | 92-0699   | 1    | Shaft-Fork   |
| 8   | 92-0732   | 3    | Plate-Keeper |
| 9   | 33114-016 | 3    | Screw-HH     |
| 10  | 92-0729   | 3    | Seal-Oil     |
| 11  | 92-0698   | 1    | Shaft-Fork   |
| 12  | 92-0816   | 1    | Arm-Shift    |
| 13  | 92-0705   | 1    | Lock-Spindle |
| 14  | 3253-4    | 3    | Washer-Lock  |
| 15  | 100-6927  | 1    | Cap-Sealing  |

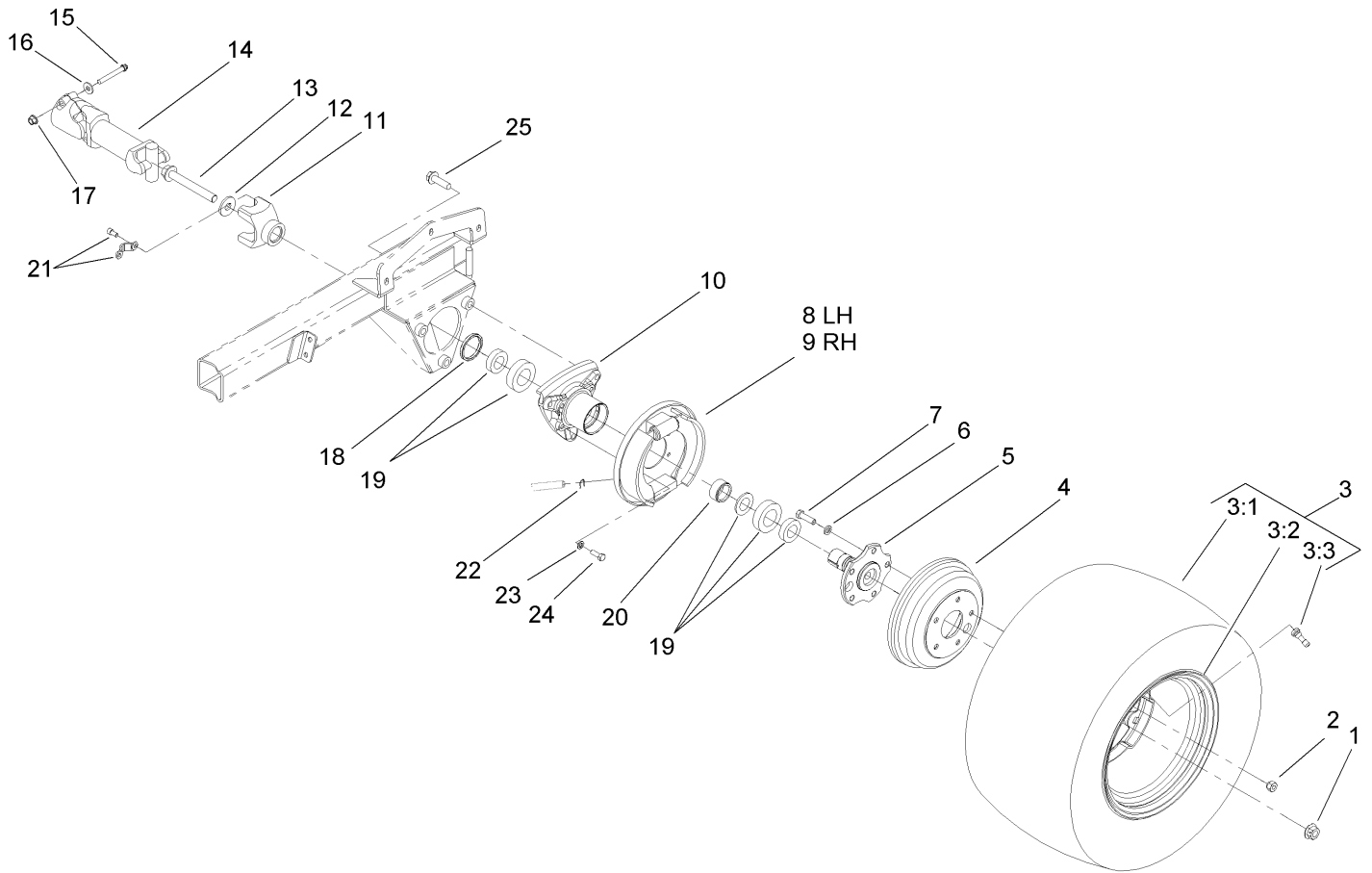




## Differential Gear Assembly Transaxle No. 104-9078

| Ref | Part No. | Qty. | Description           |
|-----|----------|------|-----------------------|
| 1   | 92-0726  | 1    | Shaft-Axle, Right     |
| 2   | 92-0728  | 1    | Washer                |
| 3   | 92-0780  | 1    | Bearing               |
| 4   | 92-0727  | 2    | Washer                |
| 5   | 92-0756  | 3    | Ring-Snap             |
| 6   | 92-0775  | 2    | Bearing               |
| 7   | 92-0720  | 1    | Case-Differential     |
| 8   | 92-0710  | 1    | Gear-Ring             |
| 9   | 92-0765  | 2    | Pin-Parallel          |
| 10  | 92-0747  | 2    | Side-Gear, Left Inner |
| 11  | 92-0746  | 1    | Gear-Side, RH         |
| 12  | 92-0748  | 2    | Pinion-Differential   |
| 13  | 92-0750  | 2    | Washer                |
| 14  | 92-0749  | 1    | Shaft-Pinion          |
| 15  | 92-0768  | 2    | Pin-Roll, Spring      |
| 16  | 92-0745  | 1    | Gear-Side, LH         |
| 17  | 92-0803  | 12   | Bolt                  |
| 18  | 92-0776  | 1    | Bearing               |
| 19  | 92-0793  | 2    | Seal-Oil              |
| 20  | 92-0725  | 1    | Shaft-Axle, Left      |
| 21  | 100-6926 | 1    | Cap-Sealing           |

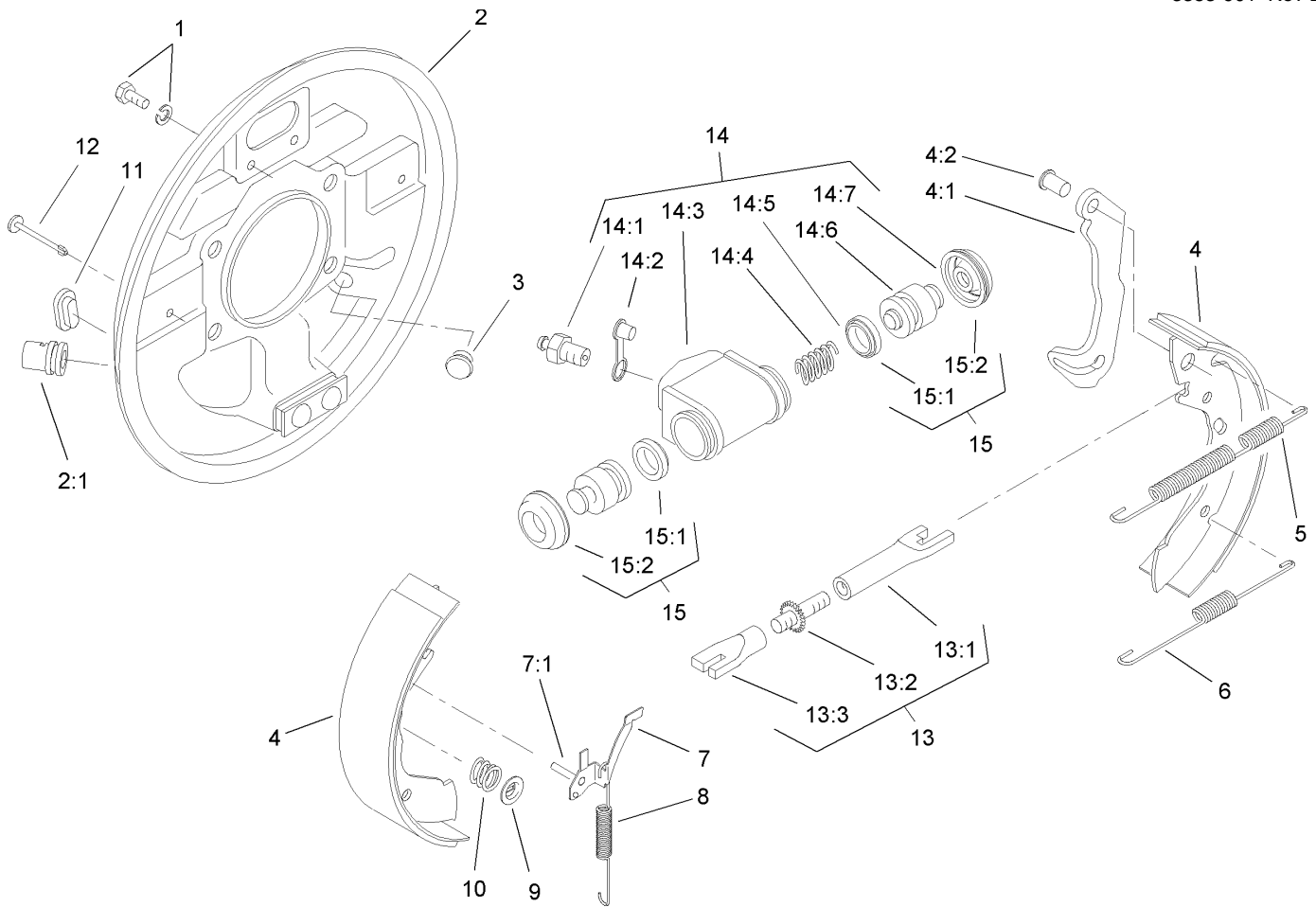
|  |  |  |  |
|--|--|--|--|
|  |  |  |  |
|--|--|--|--|



## Rear Wheel Assembly

| Ref | Part No.    | Qty. | Description             |
|-----|-------------|------|-------------------------|
| 1   | 105-1764    | 2    | Nut-Flange, Side Lock   |
| 2   | 321077      | 10   | Nut-Wheel               |
| 3   | 87-5370     | 2    | Rear Tire And Wheel ASM |
| 3:1 | 87-6740     | 1    | Tire                    |
| 3:2 | 87-6750     | 1    | Wheel                   |
| 3:3 | 232-27      | 1    | Stem-Valve              |
| 4   | 93-7128     | 2    | Drum-Brake              |
| 5   | 105-1717-03 | 2    | Axle-Stub               |
| 6   | 3253-6      | 10   | Washer-Lock             |
| 7   | 87-2080     | 10   | Bolt-Hex, TAP           |
| 8   | 93-7126     | 1    | LH Rear Brake ASM       |
| 9   | 93-7125     | 1    | RH Rear Brake ASM       |
| 10  | 87-2240-03  | 2    | Housing-Axle            |
| 11  | 92-4190     | 2    | Yoke                    |
| 12  | 104-9216    | 2    | Washer-Hardened         |
| 13  | 105-1763    | 2    | Screw-HHF               |
| 14  | 98-2918     | 2    | Driveshaft ASM          |
| 15  | 98-2939     | 4    | Screw-Cap               |
| 16  | 80-6990     | 4    | Washer-Hardened         |
| 17  | 32128-36    | 4    | Nut-HF                  |
| 18  | 87-3590     | 2    | Seal-Bearing            |
| 19  | 87-1970     | 2    | Bearing                 |
| 20  | 87-4060     | 2    | Spacer-Bearing, Wheel   |
| 21  | 92-4189     | 2    | Strap Kit               |

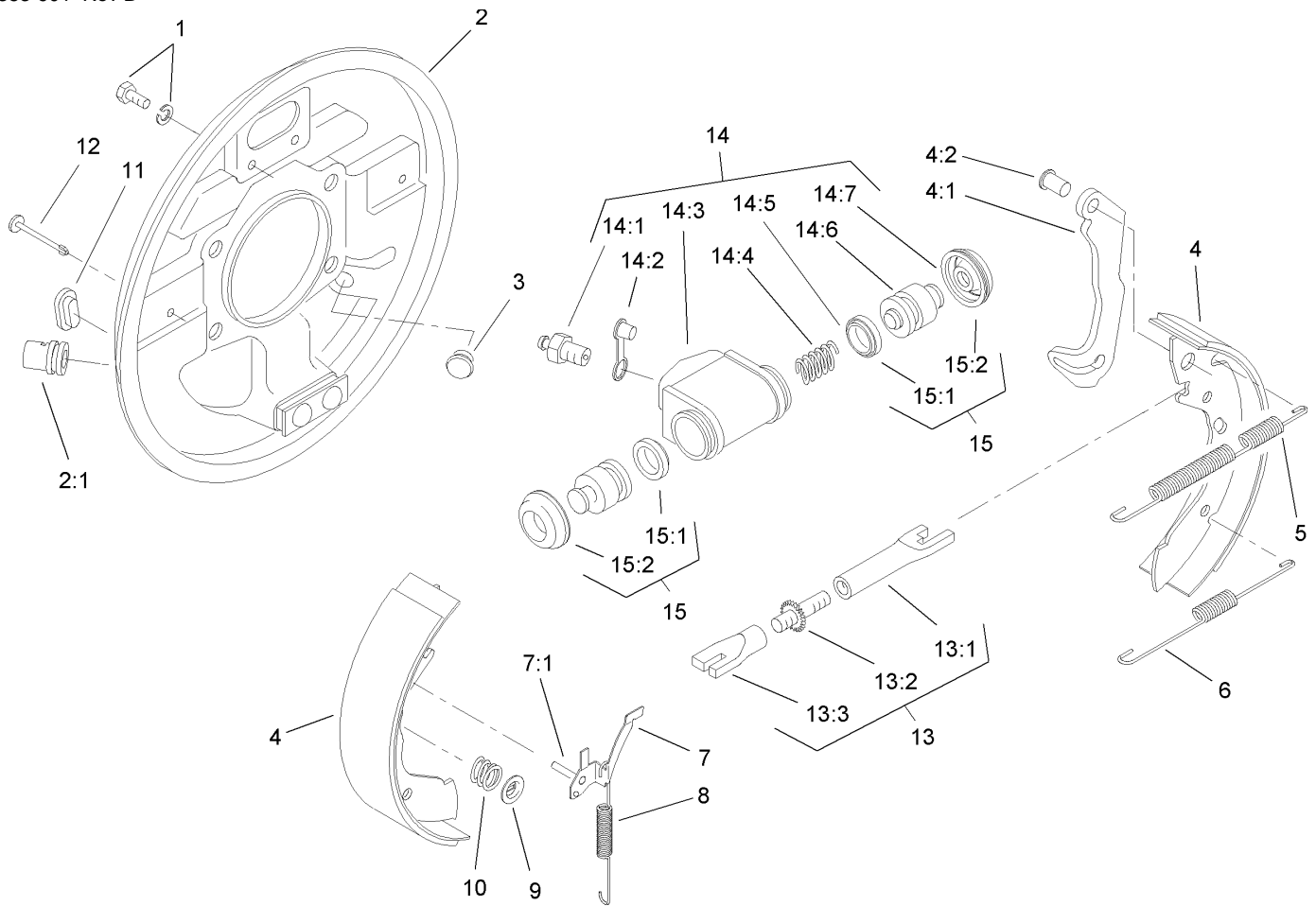
| Ref | Part No. | Qty. | Description       |
|-----|----------|------|-------------------|
| 22  | 87-3310  | 2    | Clip-Cable, Brake |
| 23  | 3253-21  | 8    | Washer-Lock       |
| 24  | 323-6    | 8    | Screw-HH          |
| 25  | 3234-22  | 6    | Screw-HHF         |



## LH Rear Brake Assembly No. 93-7126

| Ref  | Part No. | Qty. | Description                     |
|------|----------|------|---------------------------------|
| 1    | 92-4135  | 2    | Bolt-Set                        |
| 2    | 92-4136  | 1    | LH Backplate ASM                |
| 2:1  |          | 1    | Guide-Pipe                      |
| 3    | 92-4146  | 1    | Plunger ASM                     |
| 4    | 92-4143  | 1    | Lined Shoe Kit                  |
| 4:1  |          | 1    | Lever-Operating                 |
| 4:2  |          | 1    | Pin                             |
| 5    | 92-4147  | 1    | Spring-Return, Shoe (Upper, LH) |
| 6    | 92-4149  | 1    | Spring-Return, Shoe (Lower)     |
| 7    | 92-4123  | 1    | LH Pawl Lever ASM               |
| 7:1  |          | 1    | Pin-Pawl                        |
| 8    | 92-4150  | 1    | Spring-Adjuster, LH             |
| 9    | 92-4131  | 2    | Washer-Hold Down, Shoe          |
| 10   | 92-4152  | 2    | Spring-Hold Down, Shoe          |
| 11   | 92-4134  | 1    | Plug-Inspection                 |
| 12   | 92-4133  | 2    | Pin-Hold Down, Shoe             |
| 13   | 92-4144  | 1    | LH Adjuster ASM                 |
| 13:1 |          | 1    | Pushrod-Female                  |
| 13:2 |          | 1    | Bolt-Adjuster                   |
| 13:3 |          | 1    | Sleeve-Adjuster                 |
| 14   | 92-4140  | 1    | LH Wheel Cylinder ASM           |
| 14:1 | 92-4137  | 1    | Screw-Bleed                     |
| 14:2 | 92-4114  | 1    | Cap-Screw, Bleed                |
| 14:3 |          | 1    | Body                            |

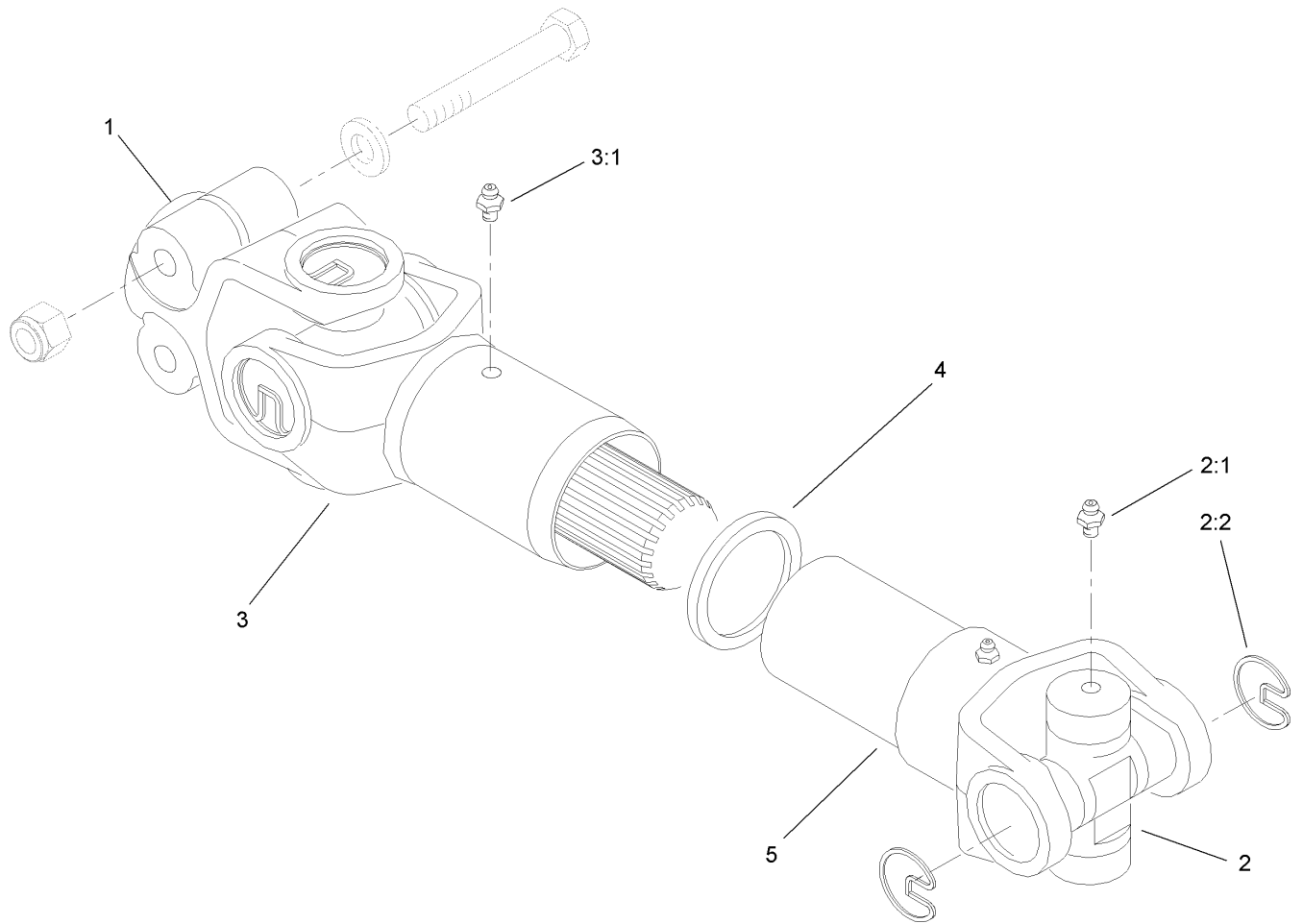
| Ref  | Part No. | Qty. | Description |
|------|----------|------|-------------|
| 14:4 |          | 1    | Spring      |
| 14:5 |          | 2    | Seal-L Type |
| 14:6 |          | 2    | Piston      |
| 14:7 |          | 2    | Cover-Dust  |
| 15   | 92-4142  | 1    | Seal Kit    |
| 15:1 |          | 2    | Seal-L Type |
| 15:2 |          | 2    | Cover-Dust  |



## RH Rear Brake Assembly No. 93-7125

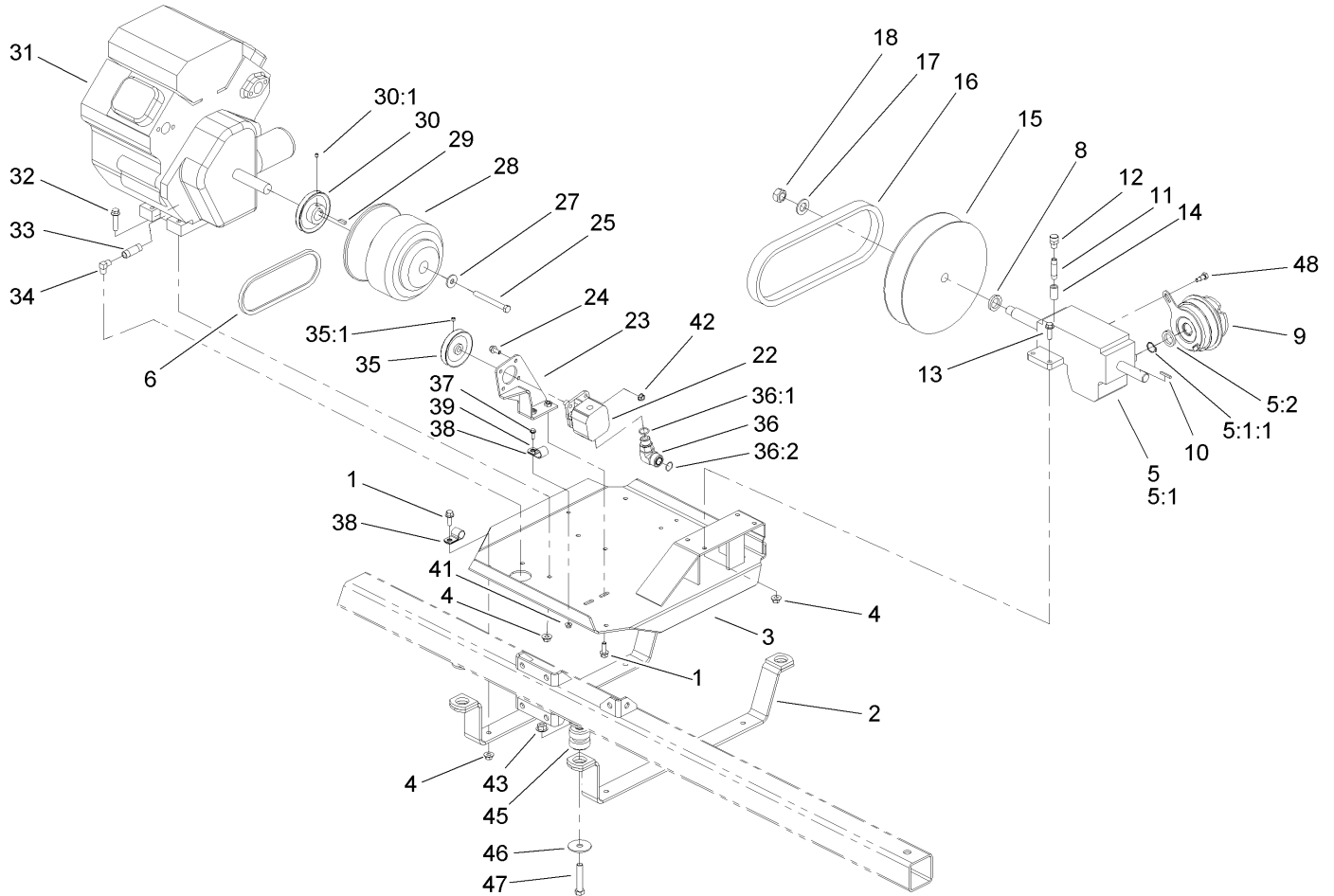
| Ref  | Part No. | Qty. | Description                     |
|------|----------|------|---------------------------------|
| 1    | 92-4135  | 2    | Bolt-Set                        |
| 2    | 92-4100  | 1    | RH Backplate ASM                |
| 2:1  |          | 1    | Guide-Pipe                      |
| 3    | 92-4146  | 1    | Plunger ASM                     |
| 4    | 92-4143  | 1    | Lined Shoe Kit                  |
| 4:1  |          | 1    | Lever-Operating                 |
| 4:2  |          | 1    | Pin                             |
| 5    | 92-4148  | 1    | Spring-Return, Shoe (Upper, RH) |
| 6    | 92-4149  | 1    | Spring-Return, Shoe (Lower)     |
| 7    | 92-4124  | 1    | RH Pawl Lever ASM               |
| 7:1  |          | 1    | Pin-Pawl                        |
| 8    | 92-4151  | 1    | Spring-Adjuster, RH             |
| 9    | 92-4131  | 2    | Washer-Hold Down, Shoe          |
| 10   | 92-4152  | 2    | Spring-Hold Down, Shoe          |
| 11   | 92-4134  | 1    | Plug-Inspection                 |
| 12   | 92-4133  | 2    | Pin-Hold Down, Shoe             |
| 13   | 92-4145  | 1    | RH Adjustor ASM                 |
| 13:1 |          | 1    | Pushrod-Female                  |
| 13:2 |          | 1    | Bolt-Adjuster                   |
| 13:3 |          | 1    | Sleeve-Adjuster                 |
| 14   | 92-4141  | 1    | RH Wheel Cylinder ASM           |
| 14:1 | 92-4137  | 1    | Screw-Bleed                     |
| 14:2 | 92-4114  | 1    | Cap-Screw, Bleed                |
| 14:3 |          | 1    | Body                            |

| Ref  | Part No. | Qty. | Description |
|------|----------|------|-------------|
| 14:4 |          | 1    | Spring      |
| 14:5 |          | 2    | Seal-L Type |
| 14:6 |          | 2    | Piston      |
| 14:7 |          | 2    | Cover-Dust  |
| 15   | 92-4142  | 1    | Seal Kit    |
| 15:1 |          | 2    | Seal-L Type |
| 15:2 |          | 2    | Cover-Dust  |



## Driveshaft Assembly No. 98-2918

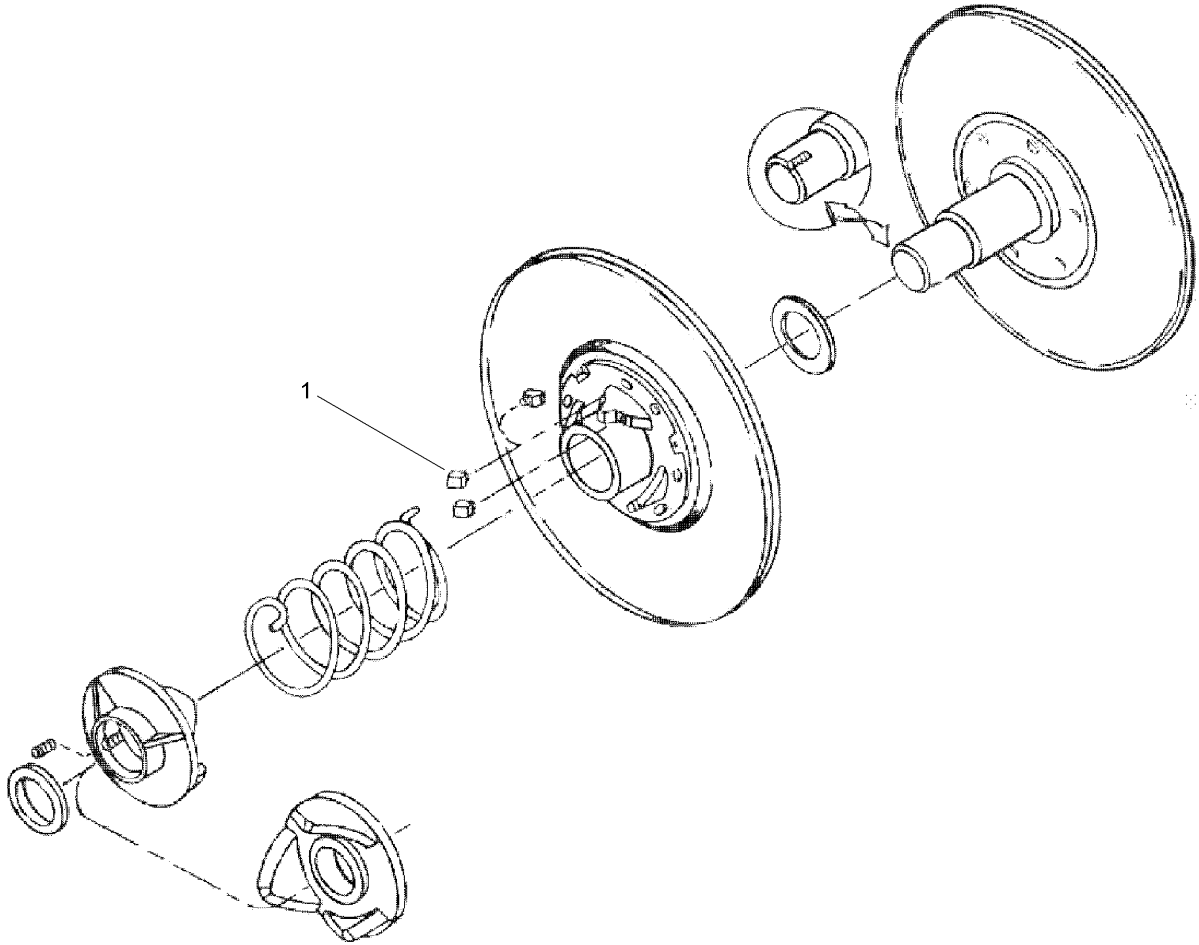
| Ref | Part No. | Qty. | Description               |
|-----|----------|------|---------------------------|
| 1   | 98-2940  | 1    | Yoke                      |
| 2   | 92-4187  | 2    | Cross And Bearing Kit     |
| 2:1 | 302-58   | 2    | Fitting-Straight          |
| 2:2 | 92-4188  | 2    | Ring-Snap                 |
| 3   | 92-4179  | 1    | Yoke-Tube, Shaft And Seal |
| 3:1 | 302-5    | 1    | Fitting-Grease            |
| 4   | 92-4180  | 1    | Seal                      |
| 5   | 92-4182  | 1    | Yoke And Hub              |
|     |          |      |                           |
|     |          |      |                           |
|     |          |      |                           |
|     |          |      |                           |
|     |          |      |                           |
|     |          |      |                           |
|     |          |      |                           |
|     |          |      |                           |
|     |          |      |                           |
|     |          |      |                           |
|     |          |      |                           |
|     |          |      |                           |
|     |          |      |                           |
|     |          |      |                           |
|     |          |      |                           |



## Engine and Gearbox Assembly

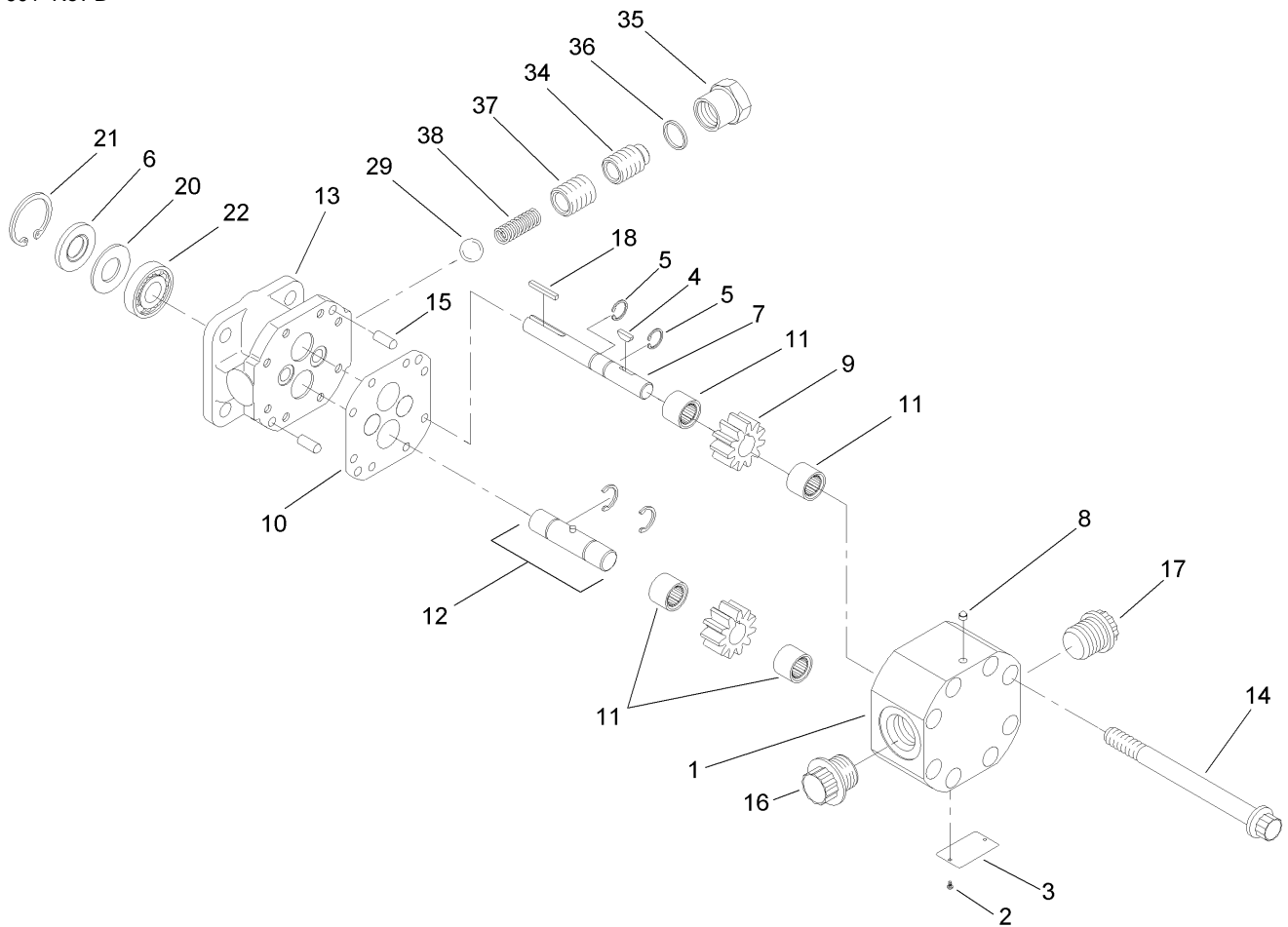
| Ref   | Part No.    | Qty. | Description                   |
|-------|-------------|------|-------------------------------|
| 1     | 3234-11     | 6    | Screw-HHF                     |
| 2     | 100-8377-03 | 2    | Strap-Support, Engine         |
| 3     | 100-8357-03 | 1    | Plate-Mounting, Engine        |
| 4     | 32128-43    | 12   | Nut-Flange                    |
| 5     | 108-3352    | 1    | Pump Drive Gearbox ASM        |
| 5:1   |             | 1    | Gearbox-Drive, Pump           |
| 5:1:1 | 108-3302    | 1    | Ring-Snap                     |
| 5:2   | 108-3301    | 1    | Retainer-Spacer               |
| 6     | 100-8372    | 1    | Belt-Steering                 |
| 8     | 100-8390    | 1    | Spacer                        |
| 9     | 100-8290    | 1    | Clutch-Electric, Pump (Drive) |
| 10    | 92-0049     | 1    | Key-Square                    |
| 11    | 106-4869    | 1    | Pipe-Coupling                 |
| 12    | 100-6931    | 1    | Breather                      |
| 13    | 3234-24     | 4    | Screw-HHF                     |
| 14    | 104-8766    | 1    | Nipple                        |
| 15    | 100-8289    | 1    | Drive Pulley ASM              |
| 16    | 108-3566    | 1    | Belt                          |
| 17    | 3256-28     | 1    | Washer-Flat                   |
| 18    | 100-8486    | 1    | Nut-Locking, LH               |
| 22    | 100-8302    | 1    | Pump-Steering                 |
| 23    | 100-8368-03 | 1    | Bracket-Pump, Steering        |
| 24    | 322-4       | 4    | Screw-HH                      |
| 25    | 3212-16     | 1    | Screw-HH                      |

| Ref  | Part No. | Qty. | Description                |
|------|----------|------|----------------------------|
| 27   | 710128   | 1    | Washer                     |
| 28   | 100-8288 | 1    | Clutch-Driver              |
| 29   | 100-8260 | 1    | Key-Shaft                  |
| 30   | 92-0488  | 1    | Pulley-Pump                |
| 30:1 | 3246-2   | 2    | Screw-Set, HSH             |
| 31   |          | 1    | Engine-Kohler, Ch20S-64647 |
| 32   | 3234-19  | 4    | Screw-HHF                  |
| 33   | 92-3647  | 1    | Nipple                     |
| 34   | 95023    | 1    | Elbow-90 DEG               |
| 35   | 100-8371 | 1    | Pulley-Pump                |
| 35:1 | 3246-2   | 2    | Screw-Set, HSH             |
| 36   | 340-16   | 1    | Fitting-HYD, 90 DEG        |
| 36:1 | 237-80   | 1    | O-Ring                     |
| 36:2 | 237-58   | 1    | O-Ring                     |
| 37   | 3234-4   | 1    | Screw-HHF                  |
| 38   | 2412-81  | 3    | Clamp-R                    |
| 39   | 3256-22  | 1    | Washer-Flat                |
| 41   | 32128-33 | 1    | Nut-HF                     |
| 42   | 32128-20 | 4    | Nut-HF                     |
| 43   | 32128-49 | 4    | Nut-HHF                    |
| 45   | 106-7865 | 4    | Engine Mount ASM           |
| 46   | 41985    | 4    | Washer-Special             |
| 47   | 325-11   | 4    | Screw-HH                   |
| 48   | 59-5400  | 1    | Bolt-Shoulder              |



**Drive Pulley Assembly No. 100-8289**

| Ref | Part No. | Qty. | Description |  |  |  |  |
|-----|----------|------|-------------|--|--|--|--|
| 1   | 104-1683 | 6    | Button      |  |  |  |  |

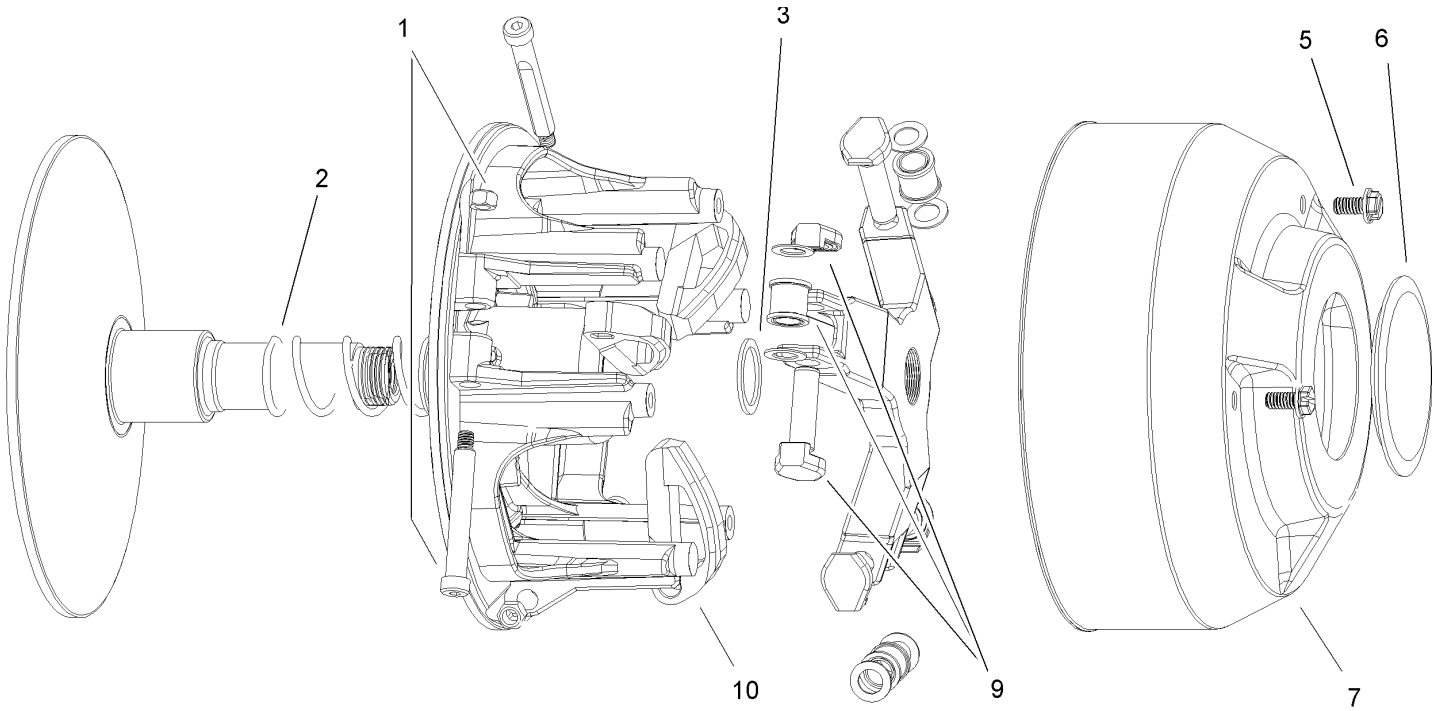


## Steering Pump Assembly No. 100-8302

| Ref | Part No. | Qty. | Description           |
|-----|----------|------|-----------------------|
| 1   |          | 1    | Housing               |
| 2   |          | 2    | Screw                 |
| 3   |          | 1    | Plate-Name            |
| 4   | 100-8270 | 1    | Key                   |
| 5   | 106-6851 | 2    | Ring-Retaining        |
| 6   | 100-8275 | 1    | Seal                  |
| 7   | 106-6852 | 1    | Shaft-Drive           |
| 8   | 100-8269 | 1    | Plug-Beta             |
| 9   | 106-6853 | 1    | Gear                  |
| 10  | 106-6854 | 1    | Gasket Kit            |
| 11  | 106-6855 | 4    | Bearing-Needle        |
| 12  | 106-6856 | 1    | Shaft-Idler           |
| 13  |          | 1    | Stator                |
| 14  | 100-8268 | 8    | Screw                 |
| 15  | 100-8265 | 2    | Pin-Shear             |
| 16  |          | 1    | Plug                  |
| 17  |          | 1    | Plug                  |
| 18  | 92-3876  | 1    | Key-Shaft             |
| 20  | 92-2186  | 1    | Spacer                |
| 21  | 106-6857 | 1    | Ring-Retaining        |
| 22  | 92-2191  | 1    | Bearing-Ball          |
| 29  | 100-8273 | 1    | Ball-Steel            |
| 34  | 100-8272 | 1    | Screw                 |
| 35  | 92-2184  | 1    | Cap-Hex, Relief Valve |

| Ref | Part No. | Qty. | Description   |
|-----|----------|------|---------------|
| 36  | 92-2180  | 1    | Gasket-Copper |
| 37  | 92-3870  | 1    | Spring        |
| 38  | 92-3871  | 1    | Spring        |

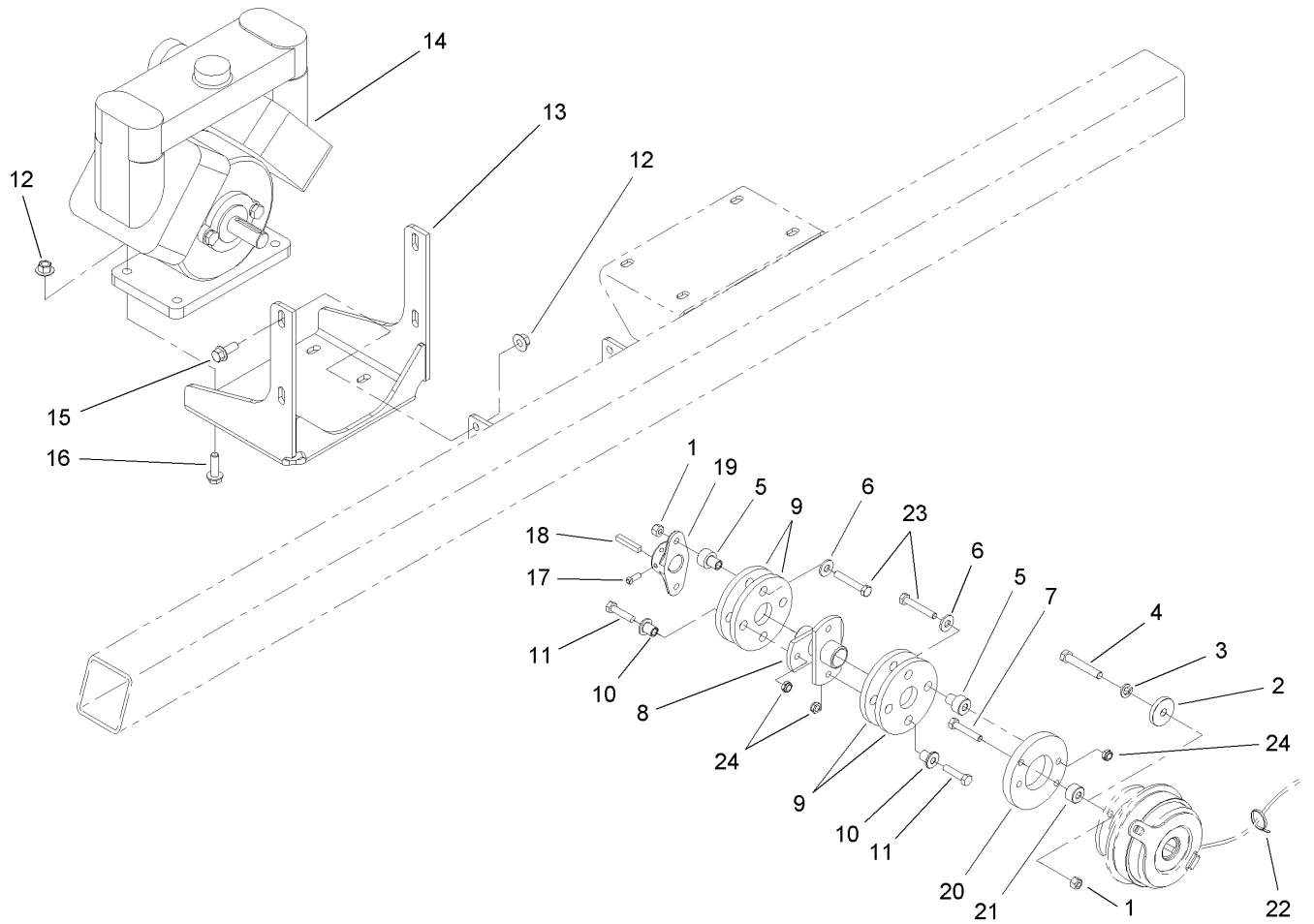




## Driver Clutch Assembly No. 100-8288

| Ref | Part No. | Qty. | Description            |
|-----|----------|------|------------------------|
| 1   | 104-4256 | 1    | Pivot Bolt And Nut Kit |
| 2   | 100-6921 | 1    | Spring-White           |
| 3   | 104-1687 | 1    | Spacer                 |
| 5   | 3234-26  | 3    | Screw                  |
| 6   | 104-1690 | 1    | Cap                    |
| 7   | 104-1691 | 1    | Cover                  |
| 9   | 104-1697 | 1    | Spider Roller Kit      |
| 10  | 100-6922 | 1    | Arm-Cam                |

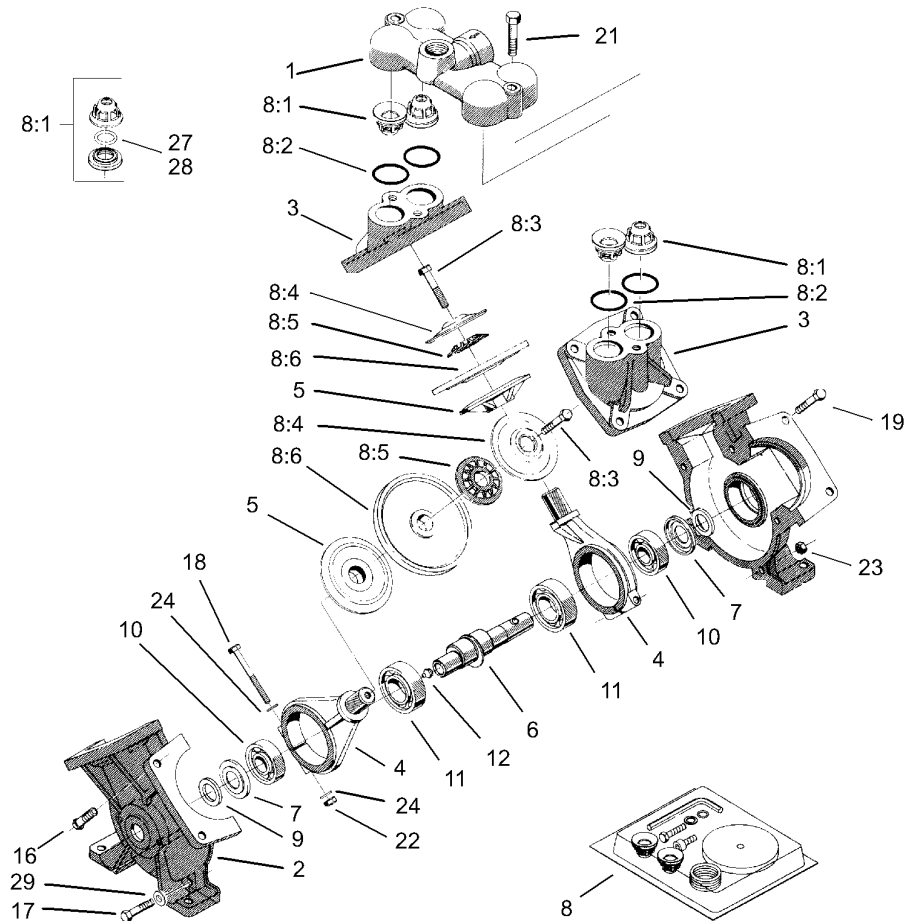
|  |  |  |  |
|--|--|--|--|
|  |  |  |  |
|--|--|--|--|



## Pump Assembly

| Ref | Part No.    | Qty. | Description               |
|-----|-------------|------|---------------------------|
| 1   | 3296-29     | 4    | Nut-Lock, NI              |
| 2   | 100-8391    | 1    | Retainer-Clutch, Electric |
| 3   | 3253-5      | 1    | Washer-Lock               |
| 4   | 3211-10     | 1    | Screw-HH                  |
| 5   | 71-4410     | 4    | Spacer                    |
| 6   | 3256-3      | 4    | Washer-Flat               |
| 7   | 322-9       | 2    | Screw-HH                  |
| 8   | 107-8750-03 | 1    | Drive-Coupler             |
| 9   | 44-2230     | 4    | Coupling-Rubber           |
| 10  | 71-4411     | 4    | Spacer                    |
| 11  | 322-17      | 4    | Screw-HH                  |
| 12  | 32128-43    | 8    | Nut-Flange                |
| 13  | 107-8622-03 | 1    | Mount-Pump                |
| 14  | 106-5121    | 1    | Pump                      |
| 15  | 3234-11     | 4    | Screw-HHF                 |
| 16  | 3234-24     | 4    | Screw-HHF                 |
| 17  | 3241-5      | 2    | Screw-Set                 |
| 18  | 67-7490     | 1    | Key-Square                |
| 19  | 93-2589     | 1    | Hub-Pump                  |
| 20  | 100-8435    | 1    | Adapter-Clutch            |
| 21  | 104-8763    | 2    | Spacer                    |
| 22  | 3290-379    | 4    | Tie-Cable                 |
| 23  | 322-10      | 4    | Screw-HH                  |
| 24  | 99-6007     | 6    | Nut-Lock, NI              |

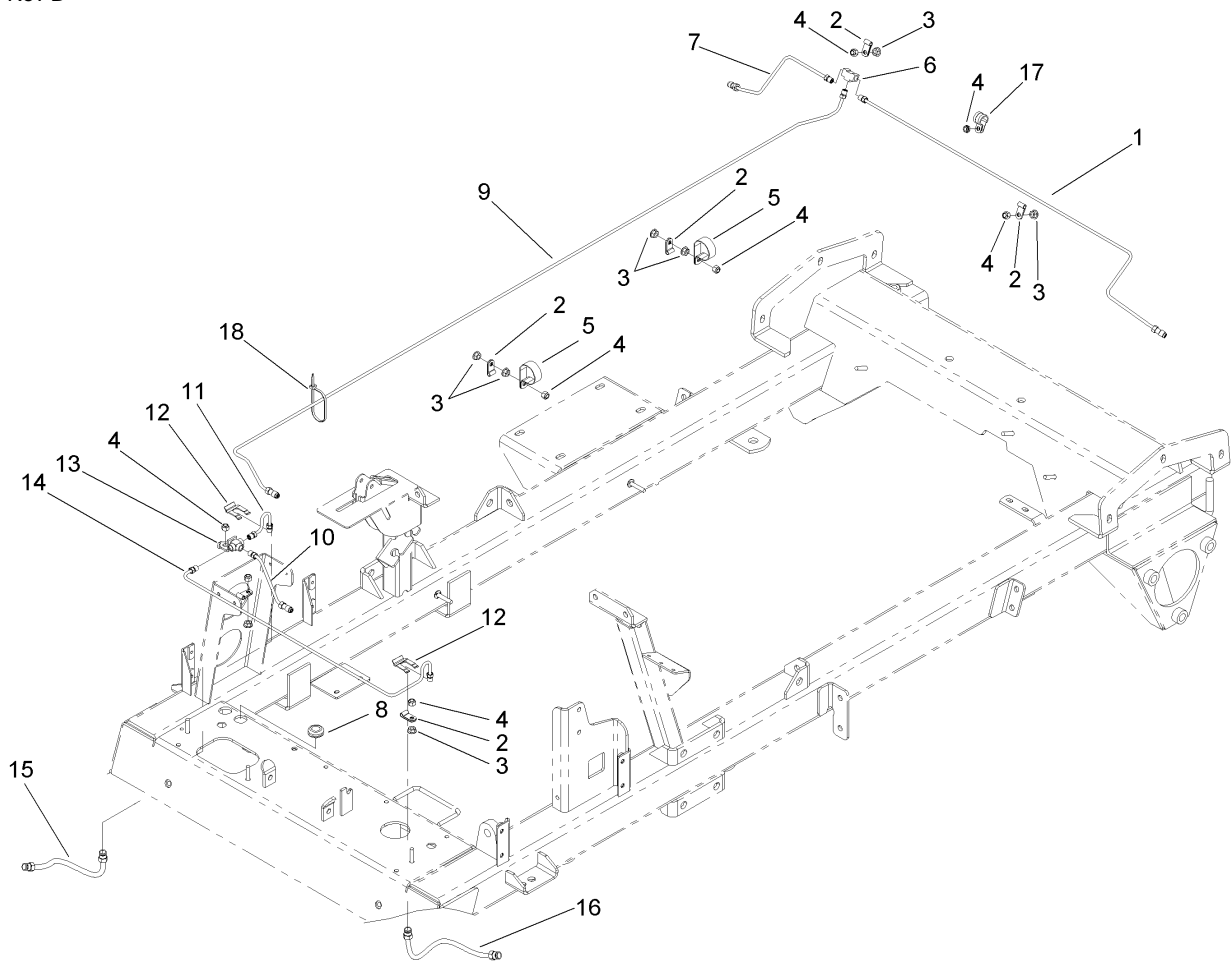
|  |  |  |  |
|--|--|--|--|
|  |  |  |  |
|  |  |  |  |
|  |  |  |  |
|  |  |  |  |



### Pump Assembly No. 106-5121

| Ref | Part No. | Qty. | Description          |
|-----|----------|------|----------------------|
| 1   | 106-5139 | 1    | Cover-Valve          |
| 2   | 106-5140 | 2    | Housing-Pump         |
| 3   | 106-5141 | 2    | Cover-Diaphragm      |
| 4   | 106-5142 | 2    | Rod-Connecting       |
| 5   | 100-8314 | 2    | Disc-Back, Diaphragm |
| 6   | 104-9052 | 1    | Crankshaft-Keyed     |
| 7   | 100-8325 | 2    | Plate-Dust           |
| 8   | 106-5150 | 1    | Repair Kit           |
| 8:1 | 100-8307 | 4    | Valve                |
| 8:2 | 100-6652 | 4    | Gasket               |
| 8:3 | 106-5147 | 2    | Bolt                 |
| 8:4 | 100-8311 | 2    | Washer               |
| 8:5 | 100-8312 | 2    | Washer-Nylon         |
| 8:6 | 100-8313 | 2    | Diaphragm            |
| 9   | 99-0868  | 2    | Felt-Seal            |
| 10  | 100-8327 | 2    | Bearing-Ball         |
| 11  | 100-8329 | 2    | Bearing-Ball         |
| 12  | 99-0873  | 1    | Fitting-Grease       |
| 16  | 106-5143 | 3    | Bolt                 |
| 17  | 106-5144 | 2    | Bolt                 |
| 18  | 106-5145 | 2    | Bolt                 |
| 19  | 106-5146 | 8    | Bolt                 |
| 21  | 106-5148 | 2    | Bolt                 |
| 22  | 100-8326 | 2    | Nut-Hex              |

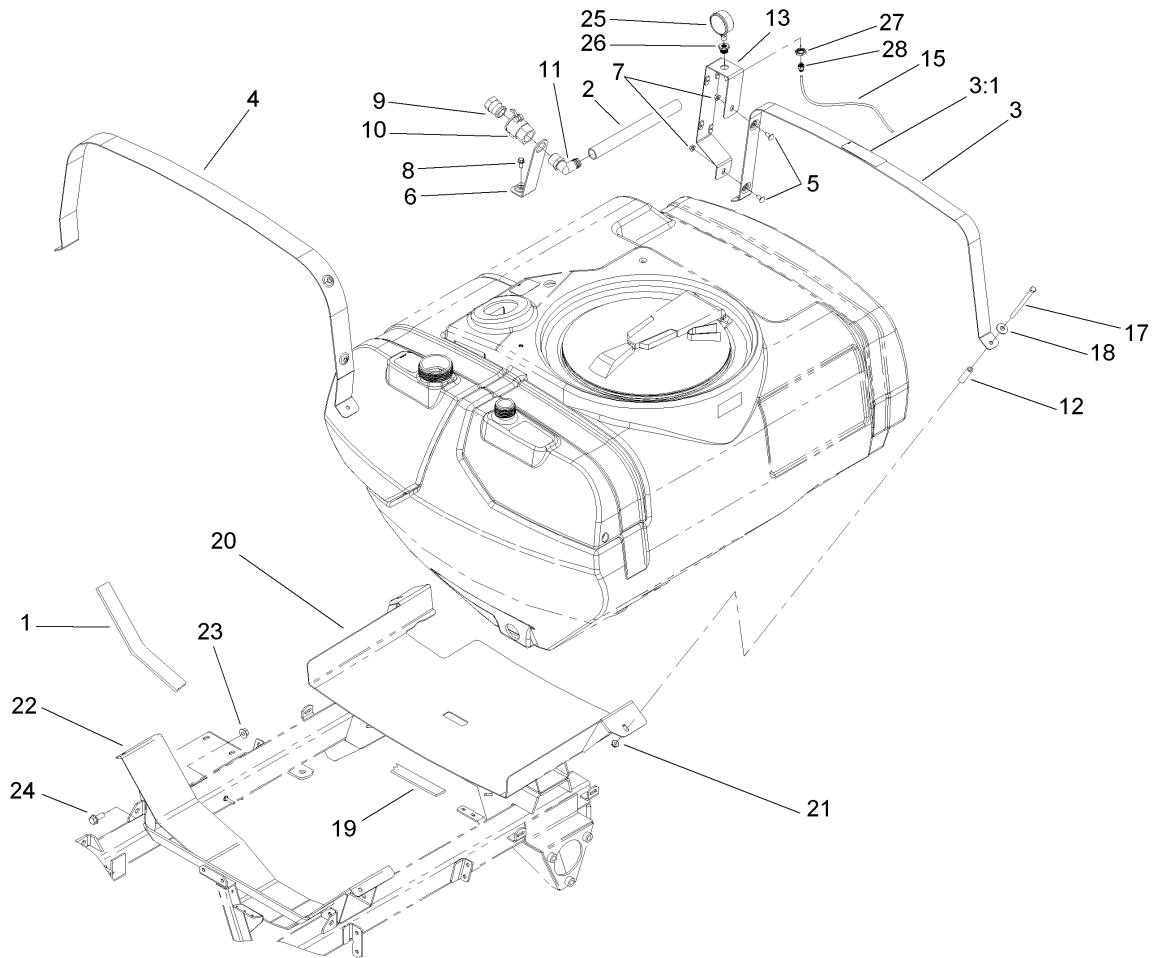
| Ref | Part No. | Qty. | Description |
|-----|----------|------|-------------|
| 23  | 106-5149 | 5    | Nut         |
| 24  | 100-8316 | 4    | Washer-Lock |
| 27  | 100-8336 | 4    | O-Ring      |
| 28  | 106-5138 | 4    | O-Ring      |
| 29  | 106-5137 | 2    | Washer      |



### Hydraulic Brake Line Assembly

| Ref | Part No. | Qty. | Description            |
|-----|----------|------|------------------------|
| 1   | 100-8511 | 1    | Tube-Brake, Rear (LH)  |
| 2   | 2412-149 | 6    | Clamp-Hose             |
| 3   | 32128-33 | 8    | Nut-HF                 |
| 4   | 3296-42  | 8    | Nut-Lock, NI           |
| 5   | 2412-147 | 2    | Clamp                  |
| 6   | 98346    | 1    | Fitting-Tee            |
| 7   | 100-8510 | 1    | Tube-Brake, Rear (RH)  |
| 8   | 1-543296 | 2    | Grommet                |
| 9   | 100-8509 | 1    | Brake Tube ASM         |
| 10  | 100-8506 | 1    | Brake Tube ASM         |
| 11  | 100-8508 | 1    | Tube-Brake, Front (RH) |
| 12  | 87-3580  | 2    | Clip-Retainer          |
| 13  | 87-3560  | 1    | Tee                    |
| 14  | 100-8507 | 1    | Tube-Brake, Front (LH) |
| 15  | 100-8420 | 1    | Hose-Brake, Front      |
| 16  | 100-8467 | 1    | Hose-Brake, Front (LH) |
| 17  | 2412-134 | 1    | R-Clamp                |
| 18  | 3290-379 | 6    | Tie-Cable              |

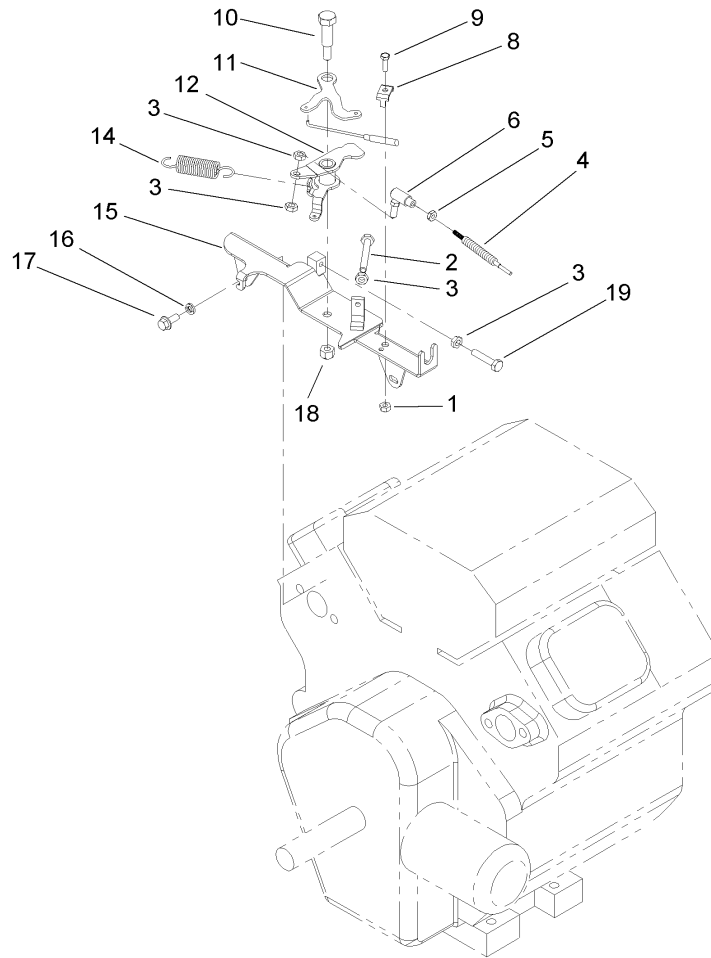
|  |  |  |  |
|--|--|--|--|
|  |  |  |  |
|  |  |  |  |
|  |  |  |  |
|  |  |  |  |



## Tank and Saddle Assembly

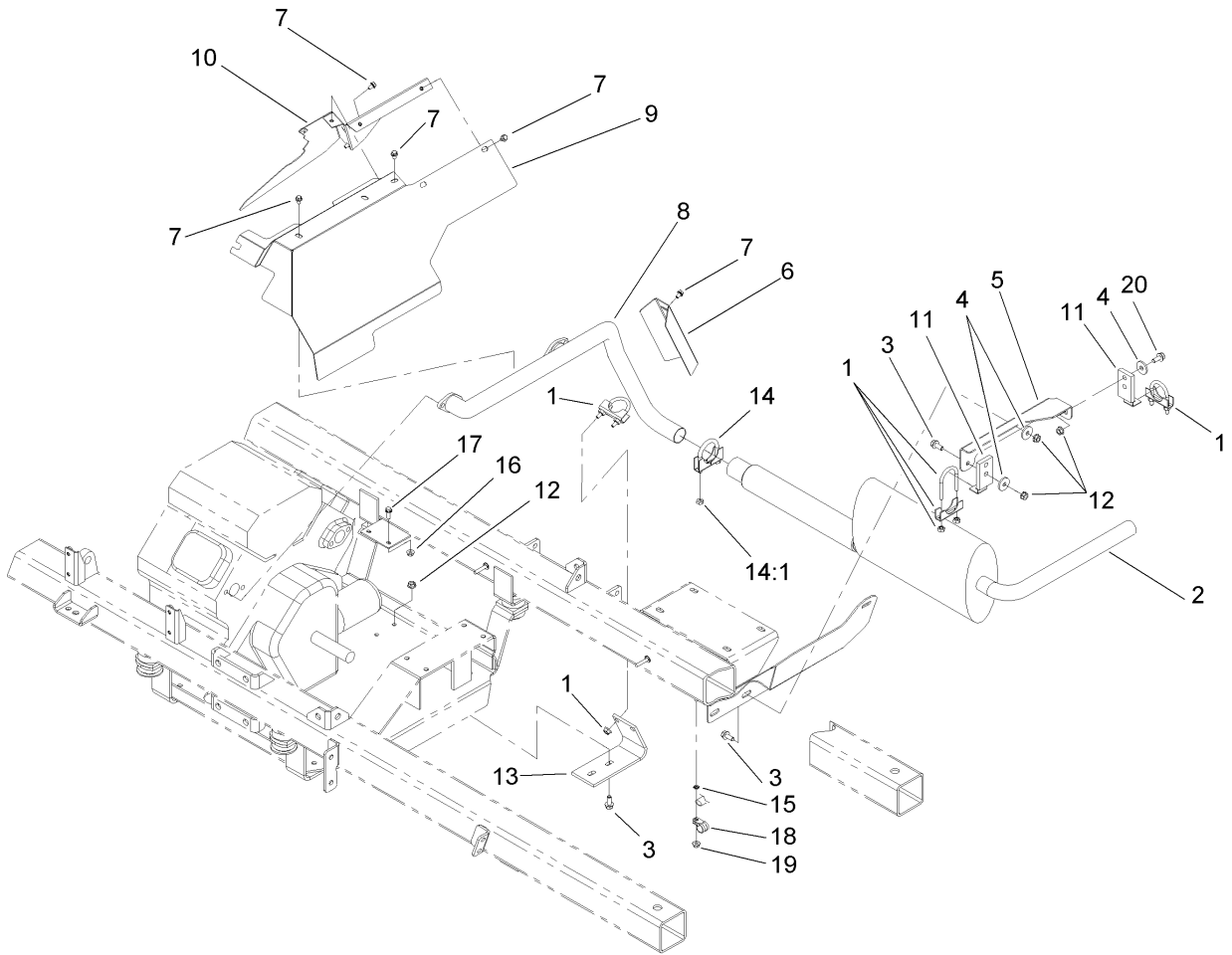
| Ref | Part No.    | Qty. | Description                   |
|-----|-------------|------|-------------------------------|
| 1   | 100-8573    | 2    | Foam-Saddle, Front            |
| 2   | 104-9075    | 1    | Hose-Siphon, Anti             |
| 3   | 106-5048    | 1    | Tank Band ASM                 |
| 3:1 | 106-5016    | 1    | Decal-Caution, Electric Shock |
| 4   | 106-5063-03 | 1    | Band-Tank, Front              |
| 5   | 3230-1      | 2    | Bolt-CARR                     |
| 6   | 100-6778-03 | 1    | Bracket-Siphon, Anti          |
| 7   | 32128-20    | 2    | Nut-HF                        |
| 8   | 3234-5      | 1    | Screw-HHF                     |
| 9   | 41316       | 1    | Adapter-Quick                 |
| 10  | 100-6779    | 1    | Coupling-Female               |
| 11  | 41140       | 1    | Elbow                         |
| 12  | 99-7375     | 1    | Hose-Breather                 |
| 13  | 106-5176-03 | 1    | Tee-Bracket, Mounting         |
| 15  | 104-8989    | 1    | Tubing-Pressure               |
| 17  | 100-8528    | 4    | Screw-HH                      |
| 18  | 94-2701     | 4    | Washer-Hardened               |
| 19  | 100-8574    | 3    | Foam-Saddle, Right Rear       |
| 20  | 108-3356-03 | 1    | Rear Saddle ASM               |
| 21  | 104-8301    | 4    | Nut-Flange, NI                |
| 22  | 100-8565-03 | 1    | Front Saddle ASM              |
| 23  | 32128-49    | 4    | Nut-HHF                       |
| 24  | 3234-32     | 4    | Screw-HHF                     |
| 25  | 100-8576    | 1    | Gauge-Pressure                |

| Ref | Part No. | Qty. | Description             |
|-----|----------|------|-------------------------|
| 26  | 100-8665 | 1    | Reducer-Gauge, Pressure |
| 27  | 100-8666 | 1    | Nut-Reducer             |
| 28  | 100-8667 | 1    | Coupler-Reducer         |



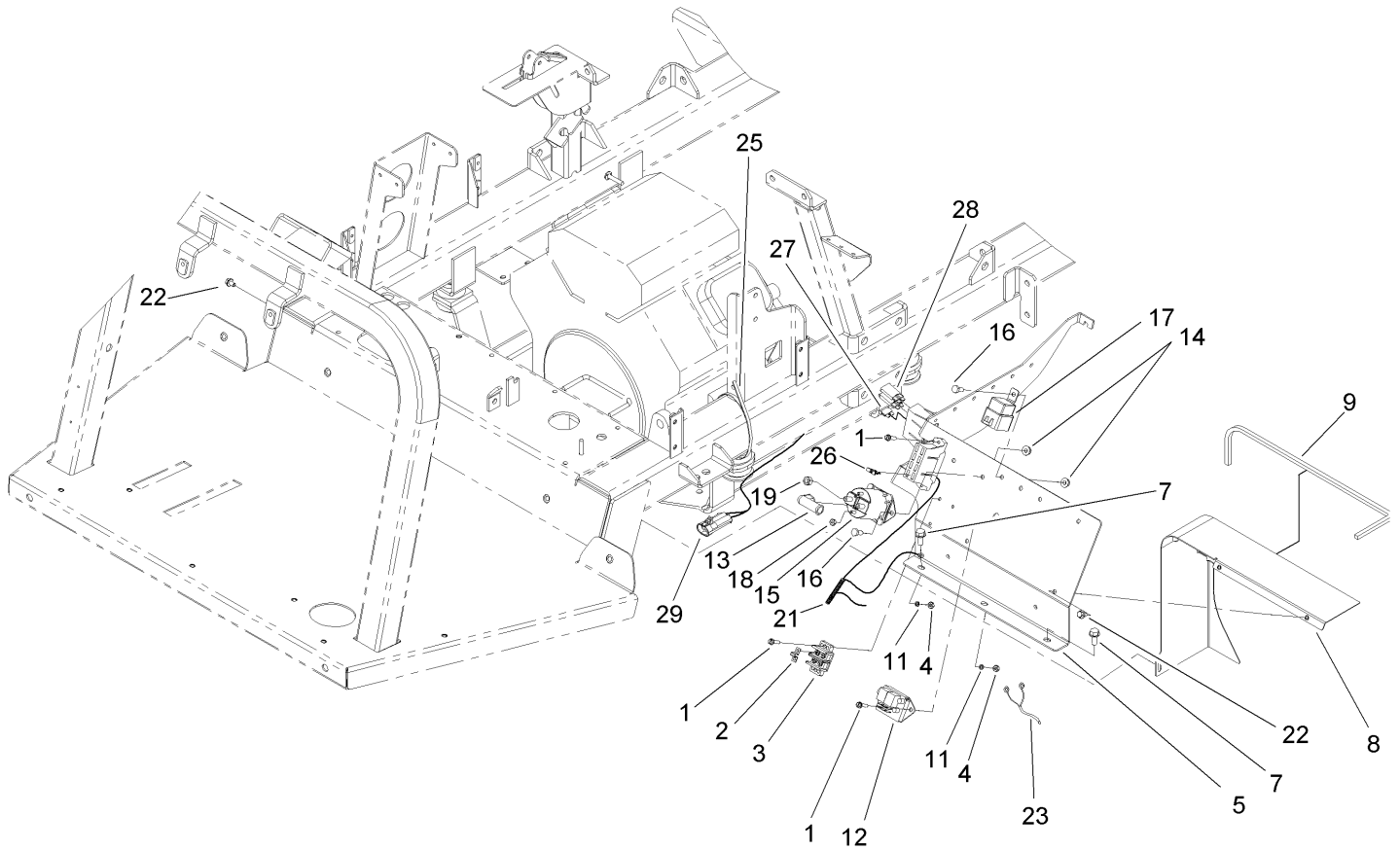
### Throttle Linkage Assembly

| Ref | Part No.  | Qty. | Description       |  |  |  |  |
|-----|-----------|------|-------------------|--|--|--|--|
| 1   | 3296-2    | 1    | Nut-Lock          |  |  |  |  |
| 2   | 108-3660  | 1    | Screw-TAP         |  |  |  |  |
| 3   | 3220-1    | 4    | Nut-Jam           |  |  |  |  |
| 4   | 100-8383  | 1    | Cable-Accelerator |  |  |  |  |
| 5   | 3219-14   | 1    | Nut-Hex           |  |  |  |  |
| 6   | 100-8559  | 1    | Ball Joint ASM    |  |  |  |  |
| 8   | 92-0477   | 1    | Clamp-Cable       |  |  |  |  |
| 9   | 3290-134  | 1    | Screw             |  |  |  |  |
| 10  | 7-0030    | 1    | Bolt-Shoulder     |  |  |  |  |
| 11  | 87-7790   | 1    | Lever-Choke       |  |  |  |  |
| 12  | 100-8558  | 1    | Lever-Throttle    |  |  |  |  |
| 14  | 67-1450   | 1    | Spring-Idler      |  |  |  |  |
| 15  | 100-8557  | 1    | Lever-Throttle    |  |  |  |  |
| 16  | 48-8020   | 4    | Washer-Spring     |  |  |  |  |
| 17  | 33103-016 | 4    | Screw-HHF         |  |  |  |  |
| 18  | 3296-29   | 1    | Nut-Lock, NI      |  |  |  |  |
| 19  | 329-7     | 1    | Screw-HH          |  |  |  |  |



## Exhaust Assembly

| Ref  | Part No.    | Qty. | Description           |  |  |  |
|------|-------------|------|-----------------------|--|--|--|
| 1    | 2112-11     | 3    | Clamp-Muffler         |  |  |  |
| 2    | 100-8292    | 1    | Muffler Tailpipe ASM  |  |  |  |
| 3    | 3234-5      | 4    | Screw-HHF             |  |  |  |
| 4    | 356303      | 4    | Washer                |  |  |  |
| 5    | 108-3678-03 | 1    | Bracket-Muffler       |  |  |  |
| 6    | 100-8409-03 | 1    | Shield-Exhaust, Lower |  |  |  |
| 7    | 3234-26     | 10   | Screw                 |  |  |  |
| 8    | 100-8291    | 1    | Header Pipe ASM       |  |  |  |
| 9    | 100-7028-03 | 1    | Shield-Heat, Upper    |  |  |  |
| 10   | 100-7029-03 | 1    | Shield-Heat, Mid      |  |  |  |
| 11   | 108-3690    | 2    | Hanger-Muffler        |  |  |  |
| 12   | 32128-20    | 6    | Nut-HF                |  |  |  |
| 13   | 100-8527    | 1    | Support-Header        |  |  |  |
| 14   | 2112-9      | 1    | Clamp                 |  |  |  |
| 14:1 | 32128-20    | 2    | Nut-HF                |  |  |  |
| 15   | 3255-7      | 1    | Washer-Lock / EXT     |  |  |  |
| 16   | 32128-33    | 2    | Nut-HF                |  |  |  |
| 17   | 3234-4      | 2    | Screw-HHF             |  |  |  |
| 18   | 2412-134    | 1    | R-Clamp               |  |  |  |
| 19   | 32128-33    | 1    | Nut-HF                |  |  |  |
| 20   | 322-5       | 2    | Screw-HH              |  |  |  |

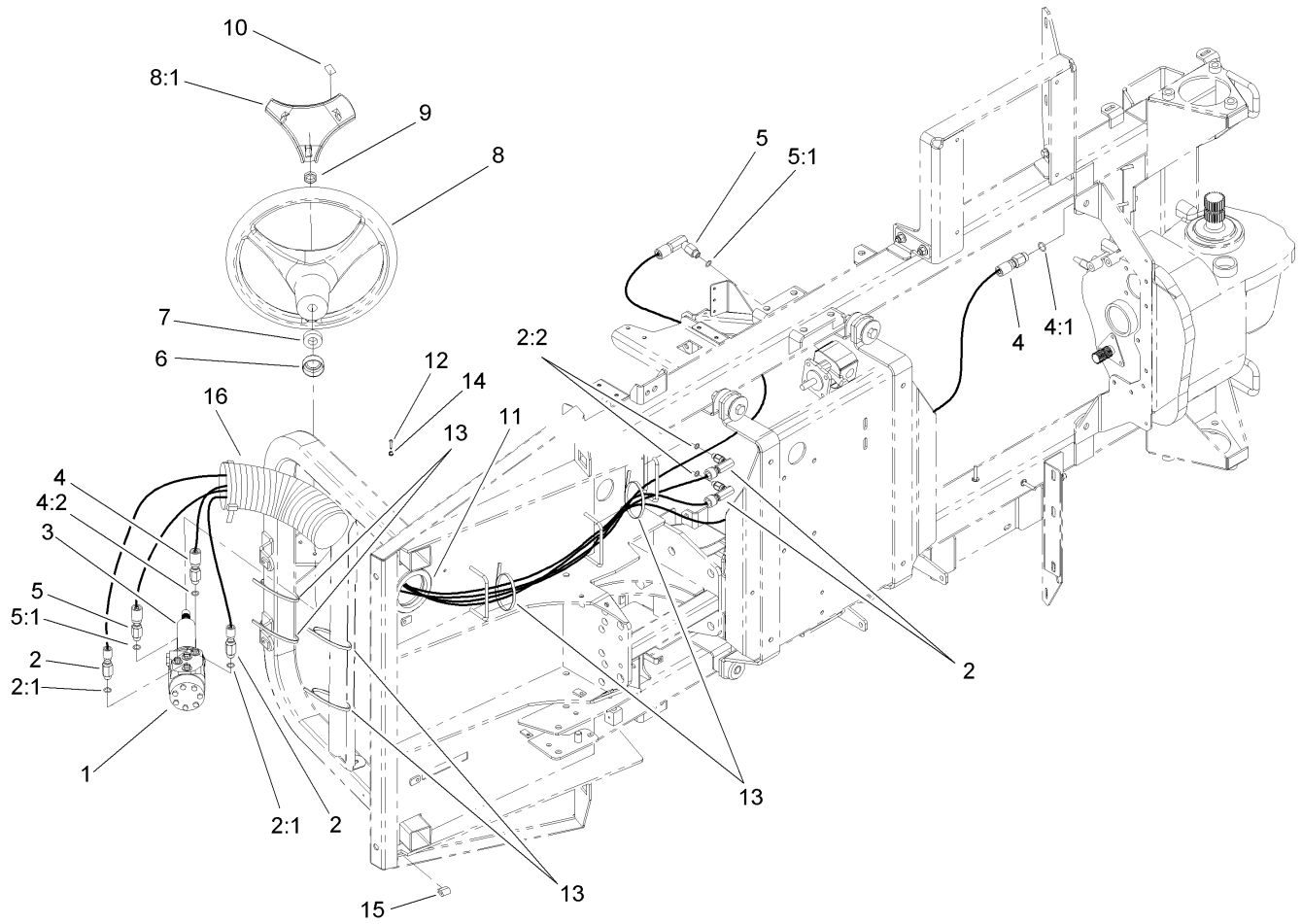


## Electrical Panel Assembly

| Ref   | Part No.    | Qty. | Description                  |
|-------|-------------|------|------------------------------|
| 1     | 32105-13    | 6    | Screw-HWH                    |
| 2     | 42863       | 1    | Strip-Jumper                 |
| 3     | 42862       | 1    | Block-Terminal, Ground       |
| 4     | 3217-26     | 6    | Nut-Hex                      |
| 5     | 108-3676-03 | 1    | Panel-Electrical             |
| 7     | 32144-70    | 3    | Screw-HWHTF                  |
| 8     | 100-7025-03 | 1    | Shield-Heat, Front           |
| 9     | 100-7027    | 1    | Trim                         |
| 11    | 3253-17     | 6    | Washer-Lock                  |
| 12    | 99-3703     | 1    | Module-Cruise                |
| 13    | 92-0034     | 3    | Boot-Terminal                |
| 14    | 32128-33    | 11   | Nut-HF                       |
| 15    | 99-7406     | 1    | Solenoid                     |
| 16    | 321-3       | 11   | Screw-HH                     |
| 17    | 99-7430     | 10   | Relay                        |
| 18    | 3219-14     | 2    | Nut-Hex                      |
| 19    | 3217-6      | 2    | Nut-Hex                      |
| 21    | 108-9461    | 1    | Harness-Wire, Main           |
| ●21:1 | 110928      | 1    | Fuse-5 Amp                   |
| ●21:2 | 218-578     | 1    | Fuse-10 Amp                  |
| ●21:3 | 109103      | 1    | Fuse-30 Amp                  |
| 22    | 3234-26     | 3    | Screw                        |
| 23    | 108-9464    | 1    | Harness-Wire, Sprayer System |
| ●23:1 | 100-4918    | 2    | Diode                        |

| Ref   | Part No. | Qty. | Description                |
|-------|----------|------|----------------------------|
| ●23:2 | 108-9493 | 2    | Diode-Tvs                  |
| ●23:3 | 107-8745 | 4    | Fuse-Blade, 3 Amp          |
| 25    | 3290-379 | 4    | Tie-Cable                  |
| 26    | 109101   | 1    | Fuse-20 Amp                |
| 27    | 109355   | 1    | Fuse-15 Amp                |
| 28    | 108-3736 | 2    | Breaker-Circuit, 30A       |
| 29    | 108-9470 | 1    | Harness-Wire, Fusible Link |

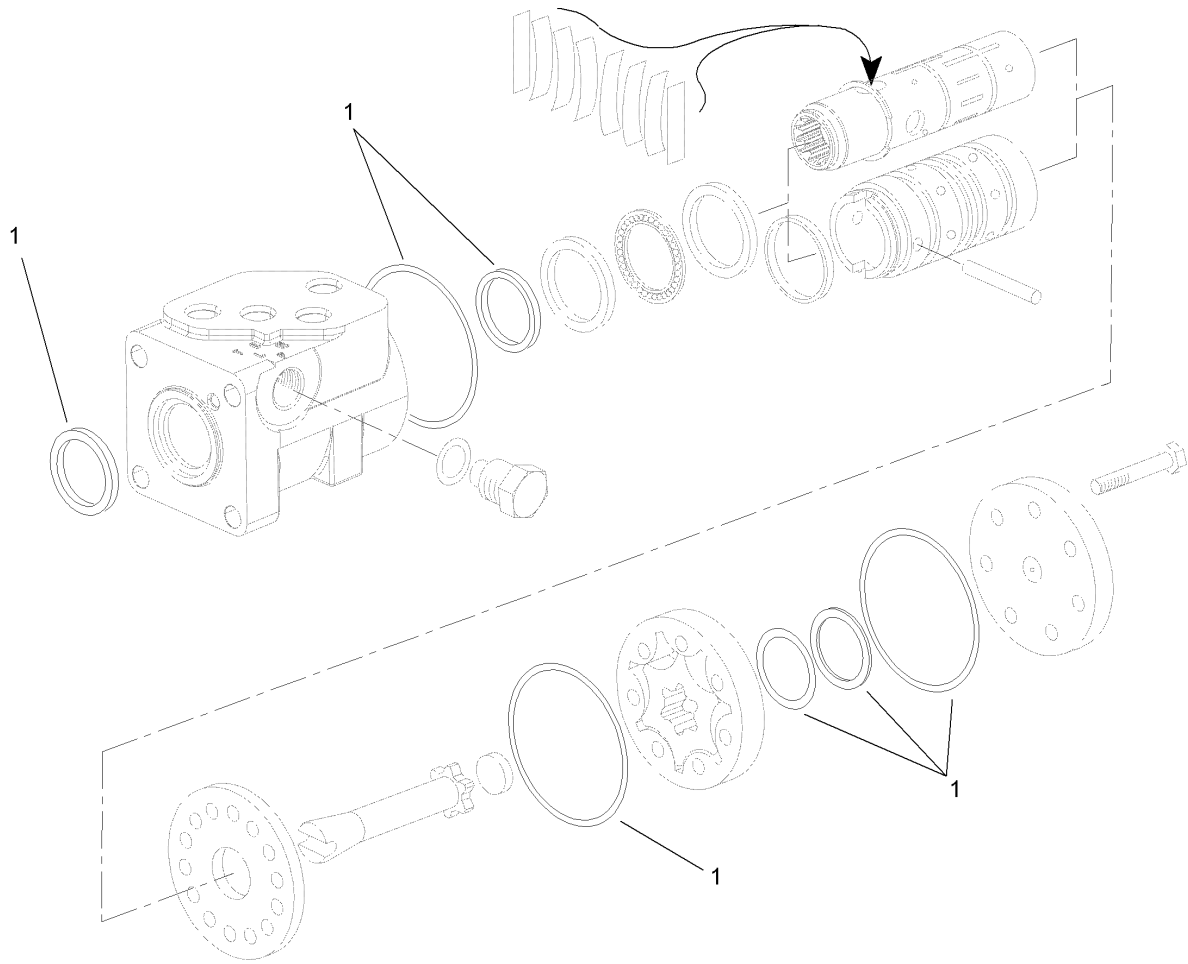




## Hydraulic Hose Routing Assembly

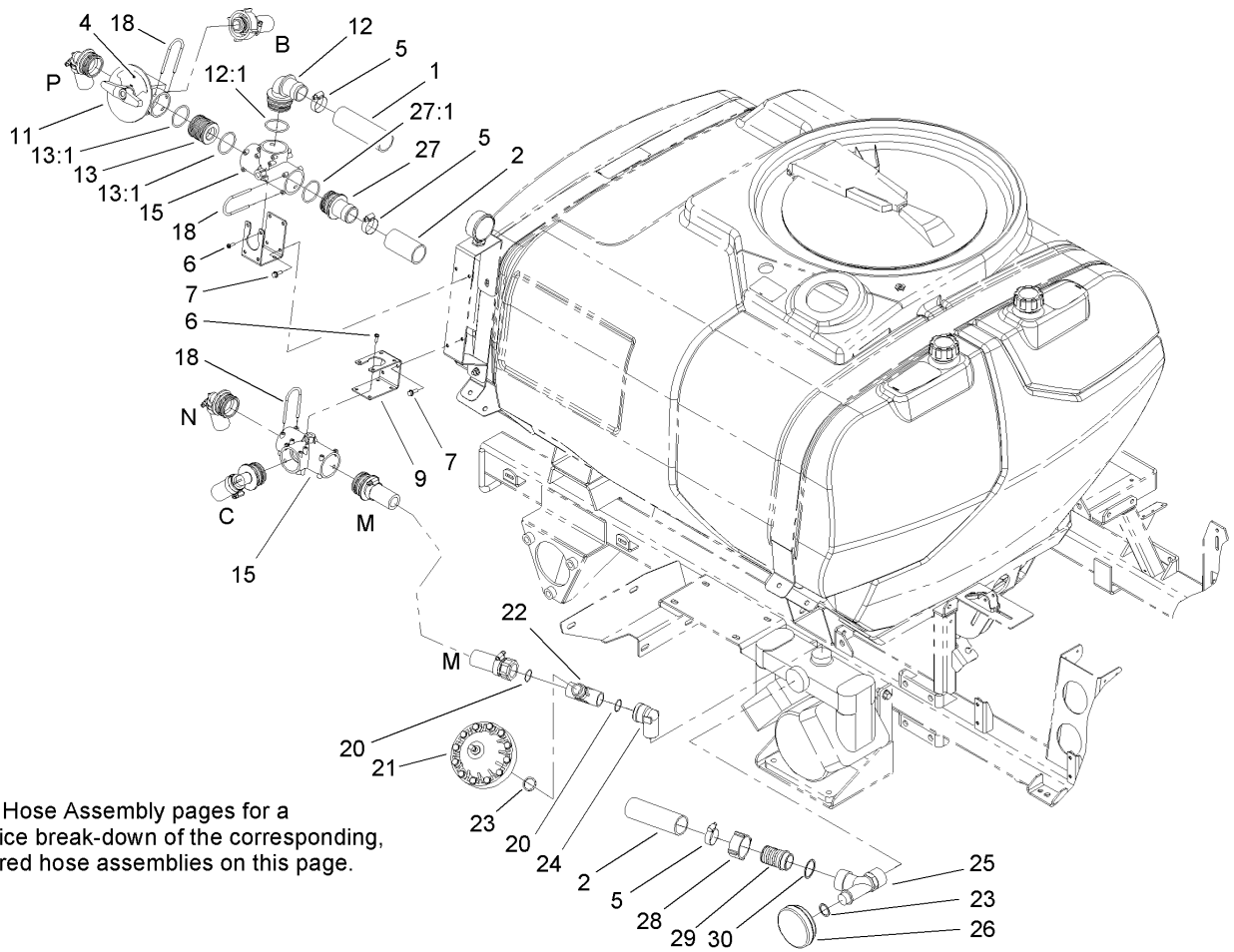
| Ref | Part No.  | Qty. | Description           |
|-----|-----------|------|-----------------------|
| 1   | 114-5076  | 1    | Steering Control ASM  |
| 2   | 100-8252  | 2    | Hose ASM              |
| 2:1 | 237-78    | 1    | O-Ring                |
| 2:2 | 237-42    | 1    | O-Ring                |
| 3   | 94-8792   | 1    | Column-Steering       |
| 4   | 100-8253  | 1    | Hose ASM              |
| 4:1 | 237-42    | 1    | O-Ring                |
| 4:2 | 237-79    | 1    | O-Ring                |
| 5   | 100-8251  | 1    | Hose ASM              |
| 5:1 | 237-42    | 2    | O-Ring                |
| 6   | 93-5439   | 1    | Seal-Steering         |
| 7   | 21-9260   | 1    | Cover-Dust            |
| 8   | 98-1471   | 1    | Wheel-Steering        |
| 8:1 | 98-1468   | 1    | Cover-Wheel, Steering |
| 9   | 92-3513   | 1    | Nut                   |
| 10  | 98-1459   | 1    | Decal                 |
| 11  | 237-102   | 1    | Grommet               |
| 12  | 33113-020 | 4    | Screw-HH              |
| 13  | 3290-379  | 17   | Tie-Cable             |
| 14  | 3253-18   | 4    | Washer-Lock           |
| 15  | 108-3582  | 1    | Trim-Edge             |
| 16  | 104-8973  | 1    | Cover-Hose, HYD       |

|  |  |  |  |
|--|--|--|--|
|  |  |  |  |
|  |  |  |  |
|  |  |  |  |
|  |  |  |  |



## Steering Control Assembly No. 114-5076

| Ref | Part No. | Qty. | Description |
|-----|----------|------|-------------|
| 1   | 108-1519 | 1    | Seal Kit    |
|     |          |      |             |
|     |          |      |             |
|     |          |      |             |
|     |          |      |             |
|     |          |      |             |
|     |          |      |             |
|     |          |      |             |
|     |          |      |             |
|     |          |      |             |
|     |          |      |             |

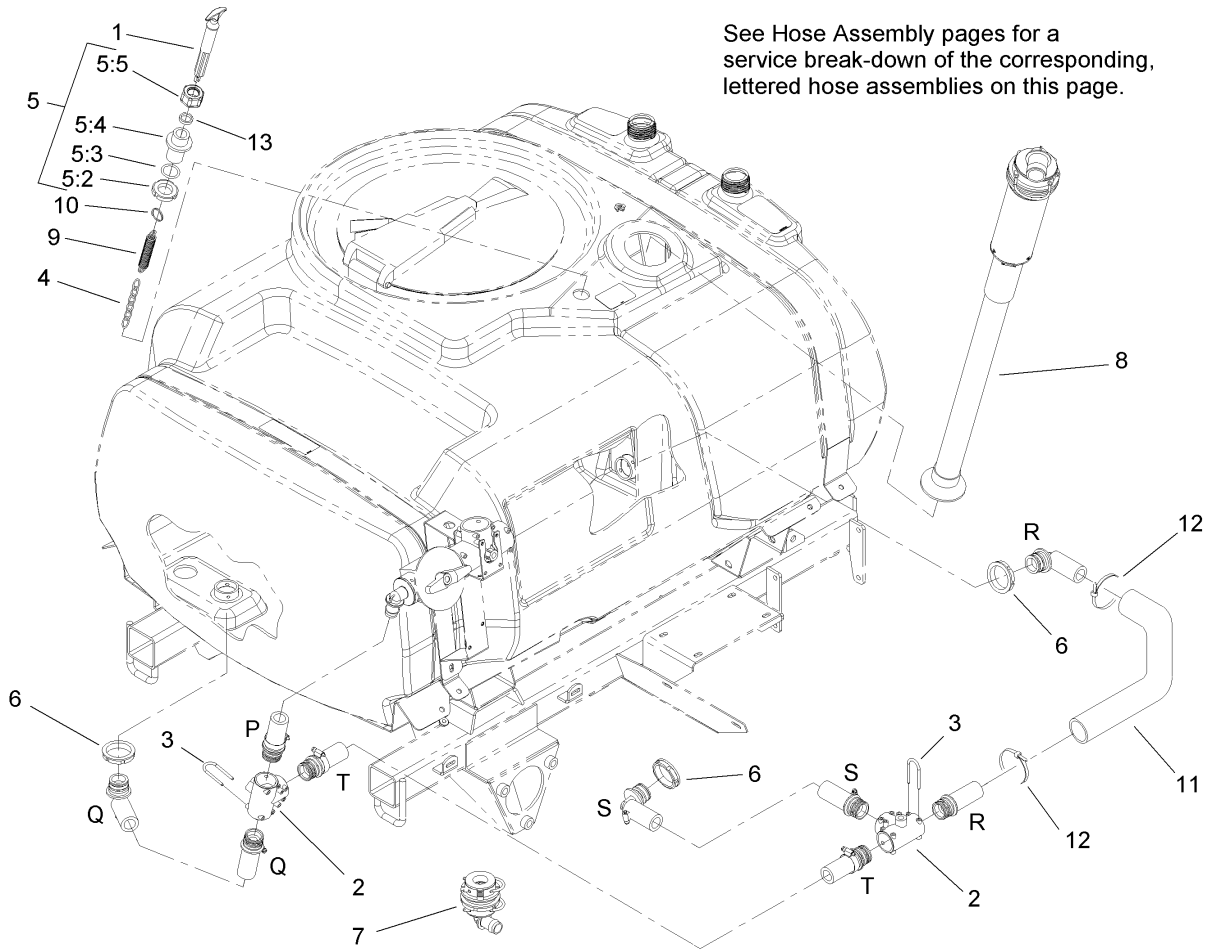


See Hose Assembly pages for a service break-down of the corresponding, lettered hose assemblies on this page.

## Sprayer Component Assembly No. 1

| Ref  | Part No. | Qty. | Description         |
|------|----------|------|---------------------|
| 1    | 108-3685 | 1    | Hose-Suction        |
| 2    | 108-3686 | 1    | Hose-Suction        |
| 4    | 107-8621 | 1    | Decal-Agitation     |
| 5    | 41327    | 4    | Clamp-Hose          |
| 6    | 32144-32 | 8    | Screw               |
| 7    | 3234-4   | 4    | Screw-HHF           |
| 9    | 100-8478 | 2    | Bracket-Tee         |
| 11   | 100-8673 | 1    | Agitation Valve ASM |
| 12   | 106-4946 | 1    | Hosebarb-90 DEG     |
| 12:1 | 100-8637 | 1    | O-Ring              |
| 13   | 106-4947 | 1    | Connector           |
| 13:1 | 100-8637 | 2    | O-Ring              |
| 15   | 100-6704 | 2    | Tee                 |
| 18   | 100-8635 | 8    | Fork                |
| 20   | 100-6655 | 2    | Gasket              |
| 21   | 100-6662 | 1    | Damper-Pressure     |
| 22   | 100-8699 | 1    | Tee                 |
| 23   | 100-6656 | 2    | O-Ring              |
| 24   | 100-8698 | 1    | Elbow               |
| 25   | 100-8681 | 1    | Tee                 |
| 26   | 100-6660 | 1    | Suction Damper ASM  |
| 27   | 106-4936 | 1    | Hosebarb            |
| 27:1 | 100-8637 | 1    | O-Ring              |
| 28   | 100-8678 | 1    | Nut                 |

| Ref | Part No. | Qty. | Description |
|-----|----------|------|-------------|
| 29  | 100-8679 | 1    | Hosebarb    |
| 30  | 100-8680 | 1    | Seal        |

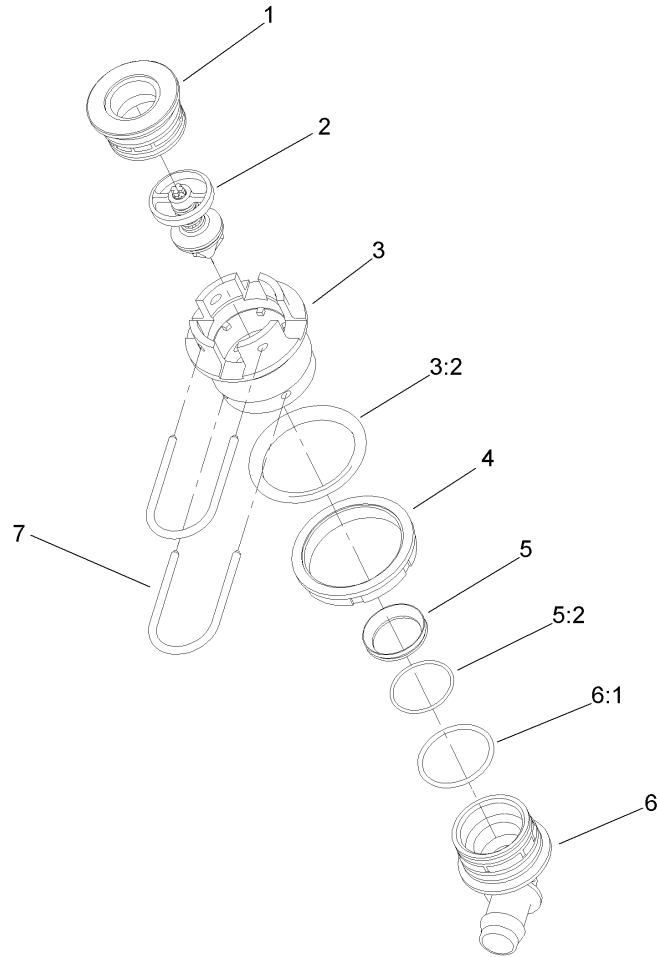


See Hose Assembly pages for a service break-down of the corresponding, lettered hose assemblies on this page.

## Sprayer Component Assembly No. 2

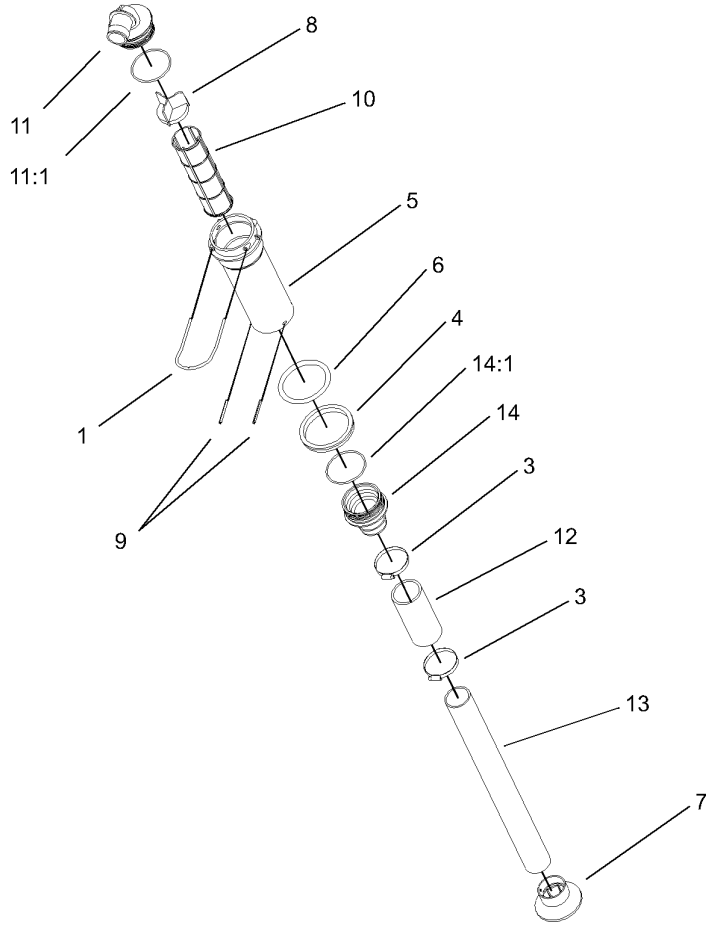
| Ref | Part No. | Qty. | Description                   |
|-----|----------|------|-------------------------------|
| 1   | 106-1347 | 1    | Handle-Drain                  |
| 2   | 104-9041 | 3    | Tee                           |
| 3   | 100-6708 | 10   | Fork                          |
| 4   | 106-4858 | 1    | 32 Inch Chain ASM             |
| 5   |          | 1    | Upper Tank Drain Bulkhead ASM |
| 5:2 | 99-0758  | 1    | Nut                           |
| 5:3 | 100-6658 | 1    | Gasket                        |
| 5:4 | 106-1240 | 1    | Bulkhead                      |
| 5:5 | 106-1241 | 1    | Nut-Special                   |
| 6   | 100-6713 | 4    | Nut-Bulkhead                  |
| 7   |          | 1    | Drain ASM                     |
| 8   |          | 1    | Top Mounted Suction ASM       |
| 9   | 106-1415 | 1    | Spring-Extension              |
| 10  | 106-1416 | 1    | Ring-Retaining, Spiral (EXT)  |
| 11  | 107-8650 | 1    | Conduit-Convoluted            |
| 12  | 3290-378 | 2    | Tie-Cable                     |
| 13  | 106-1414 | 1    | Seal                          |

|  |  |  |  |
|--|--|--|--|
|  |  |  |  |
|  |  |  |  |
|  |  |  |  |
|  |  |  |  |
|  |  |  |  |
|  |  |  |  |
|  |  |  |  |
|  |  |  |  |
|  |  |  |  |
|  |  |  |  |
|  |  |  |  |
|  |  |  |  |



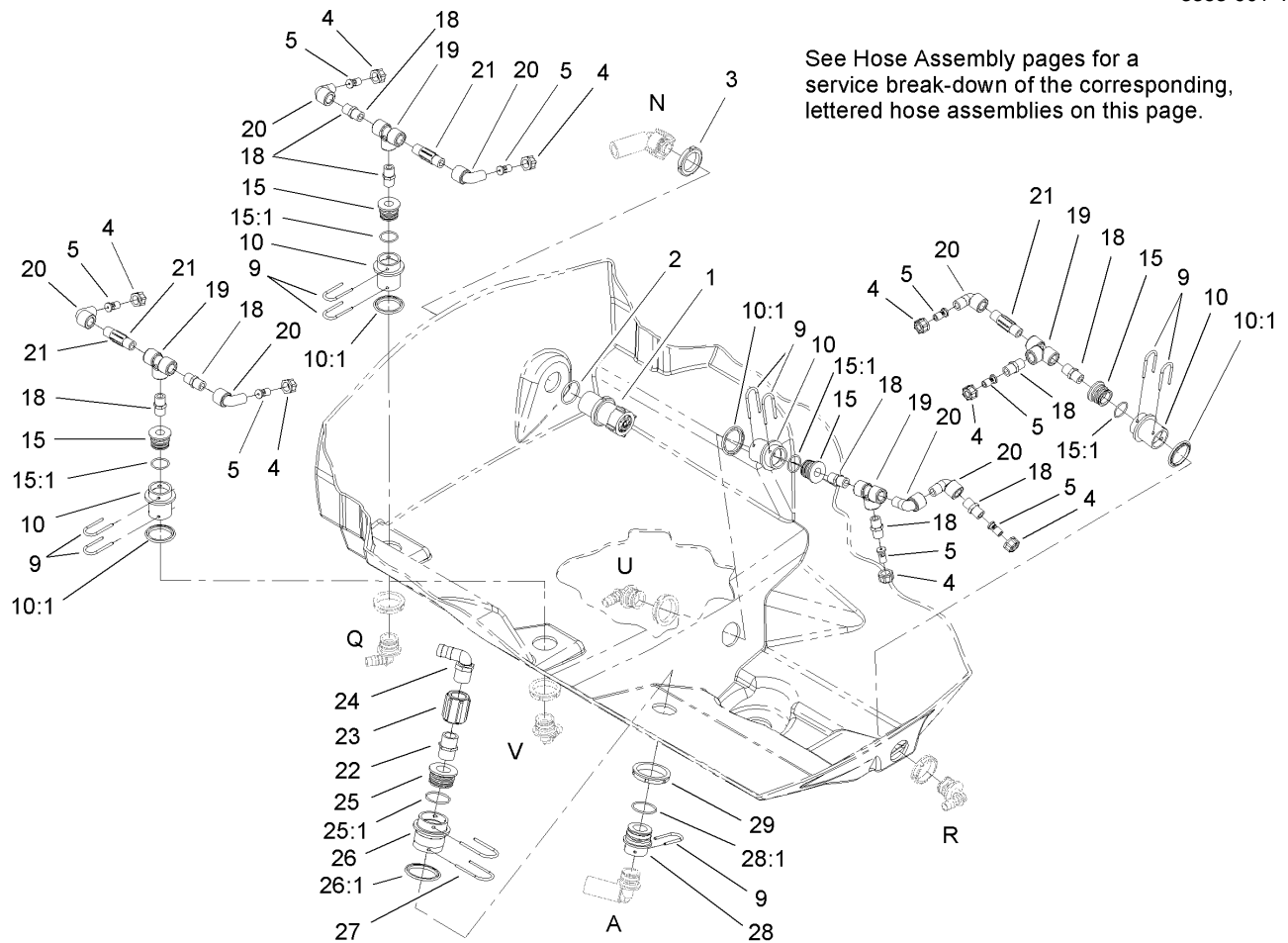
## Tank Drain Assembly

| Ref | Part No. | Qty. | Description        |
|-----|----------|------|--------------------|
| 1   | 107-2868 | 1    | Adapter            |
| 2   | 108-7016 | 1    | Drain Valve ASM    |
| 3   | 107-2862 | 1    | Drain Bulkhead ASM |
| 3:2 | 107-2864 | 1    | Gasket-Bulkhead    |
| 4   | 100-7051 | 1    | Nut-Bulkhead       |
| 5   | 107-2867 | 1    | Seat Drain ASM     |
| 5:2 | 107-2866 | 1    | O-Ring             |
| 6   | 106-4933 | 1    | Hosebarb ASM       |
| 6:1 | 100-8637 | 1    | O-Ring             |
| 7   | 100-8635 | 2    | Fork               |



### Top Mounted Suction Assembly

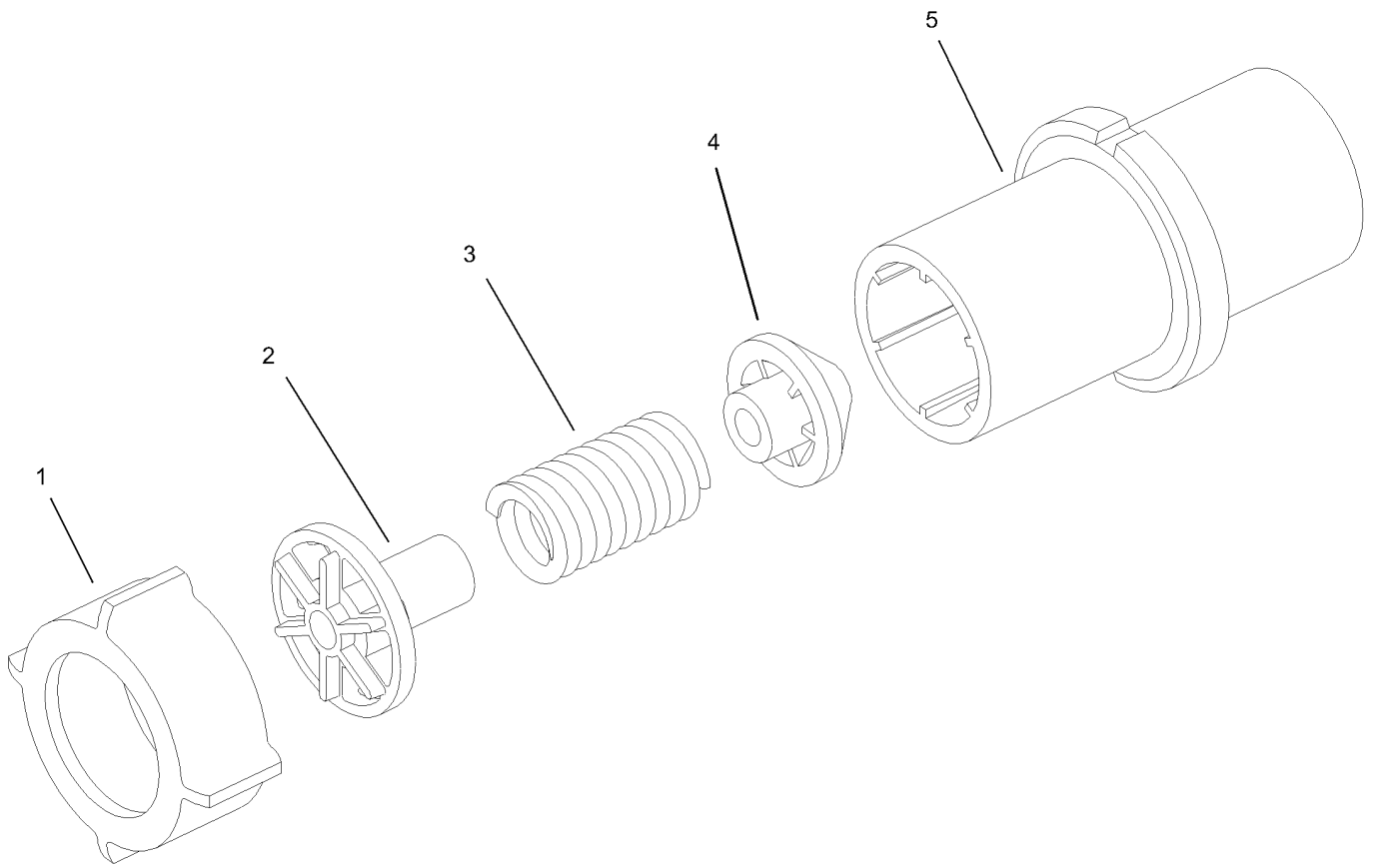
| Ref  | Part No. | Qty. | Description             |
|------|----------|------|-------------------------|
| 1    | 100-8636 | 1    | Fork-Special            |
| 2    | 108-3270 | 1    | Screw-TAP               |
| 3    | 26392    | 2    | Clamp-Hose              |
| 4    | 100-8647 | 1    | Nut-Bulkhead            |
| 5    | 100-8643 | 1    | Housing-Filter          |
| 6    | 100-8646 | 1    | Gasket-Bulkhead         |
| 7    | 100-6714 | 1    | Foot-Tube, Suction      |
| 8    | 100-8641 | 1    | Vane-Screen             |
| 9    | 100-8644 | 2    | Pin-Expansion           |
| 10   | 100-6991 | 1    | Element-Filter, Green   |
| 10   | 100-6992 | 1    | Element-Filter, Red     |
| 10   | 100-8642 | 1    | Screen-Suction, Mesh 50 |
| 11   | 106-4952 | 1    | Hosebarb-90 DEG         |
| 11:1 | 100-6989 | 1    | O-Ring                  |
| 12   | 100-8649 | 1    | Hose-Suction            |
| 13   | 107-8625 | 1    | Tube-Suction            |
| 14   | 106-4942 | 1    | Hosebarb-Straight       |
| 14:1 | 100-8640 | 1    | O-Ring                  |



### Sprayer Component Assembly No. 3

| Ref  | Part No. | Qty. | Description           |
|------|----------|------|-----------------------|
| 1    | 100-6820 | 1    | Valve-Safety, 225 Psi |
| 2    | 100-6652 | 1    | Gasket                |
| 3    | 99-0761  | 1    | Ringnut               |
| 4    | 99-0766  | 8    | Nut                   |
| 5    | 100-6705 | 8    | Nozzle-Agitation      |
| 9    | 100-6708 | 9    | Fork                  |
| 10   | 106-4896 | 4    | Fitting-Bulkhead      |
| 10:1 | 100-6710 | 1    | Gasket-Bulkhead       |
| 15   | 106-4943 | 4    | Adapter ASM           |
| 15:1 | 100-6712 | 1    | O-Ring                |
| 18   | 108-3574 | 9    | Nipple-Short          |
| 19   | 94-7100  | 4    | Tee                   |
| 20   | 108-3573 | 7    | Elbow-90 DEG          |
| 21   | 94-7103  | 3    | Nipple                |
| 22   | 108-3578 | 1    | Nipple-Short          |
| 23   | 108-3577 | 1    | Union-Short           |
| 24   | 108-3576 | 1    | Elbow-90 DEG, Barbed  |
| 25   | 108-3357 | 1    | Adapter ASM           |
| 25:1 | 100-8637 | 1    | O-Ring                |
| 26   | 108-3358 | 1    | Fitting-Bulkhead      |
| 26:1 | 107-2864 | 1    | Gasket-Bulkhead       |
| 27   | 100-8635 | 2    | Fork                  |
| 28   | 106-4938 | 1    | Reducer ASM           |
| 28:1 | 100-8637 | 1    | O-Ring                |

| Ref | Part No. | Qty. | Description  |
|-----|----------|------|--------------|
| 29  | 100-7051 | 1    | Nut-Bulkhead |

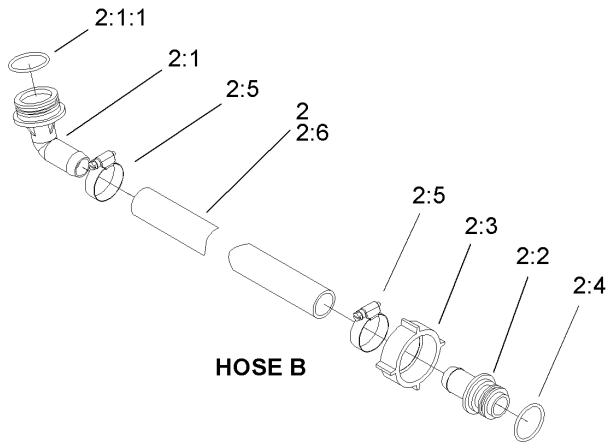
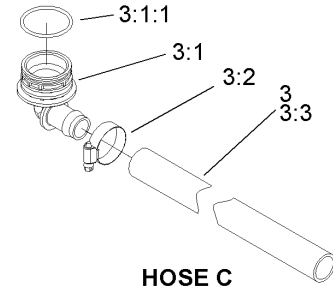
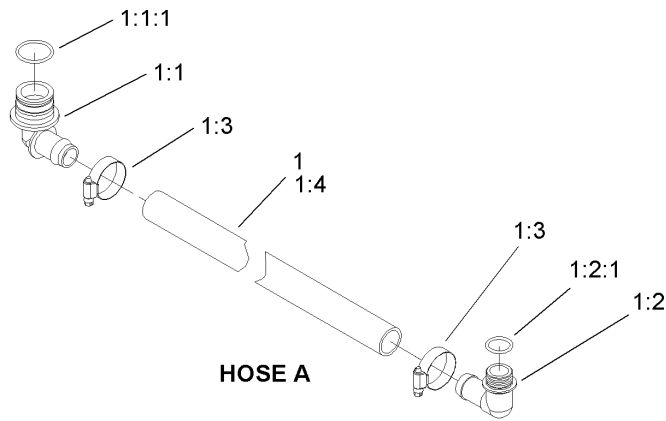


### Safety Valve Assembly No. 100-6820

| Ref | Part No. | Qty. | Description           |
|-----|----------|------|-----------------------|
| 1   | 100-8678 | 1    | Nut                   |
| 2   | 100-6724 | 1    | Valve-Relief, Seat    |
| 3   | 100-6725 | 1    | Spring-Relief, Valve  |
| 4   | 100-6726 | 1    | Cone-Relief, Valve    |
| 5   | 100-6727 | 1    | Housing-Relief, Valve |

|  |  |  |  |
|--|--|--|--|
|  |  |  |  |
|  |  |  |  |
|  |  |  |  |
|  |  |  |  |
|  |  |  |  |

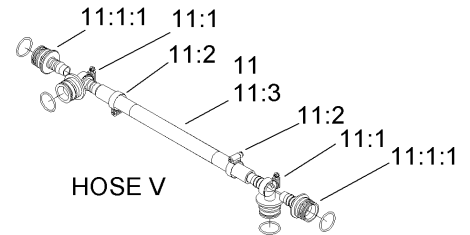
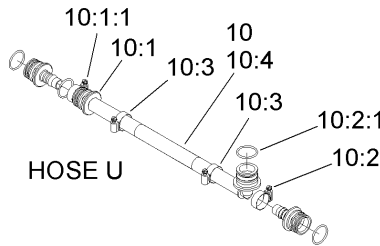
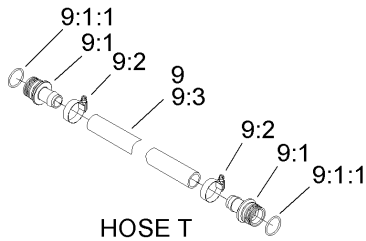
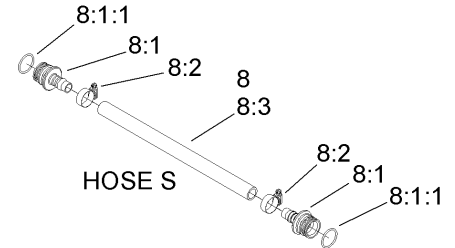
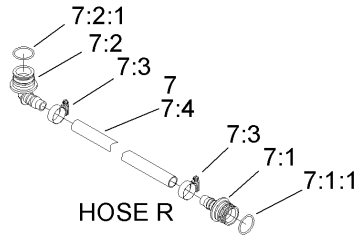
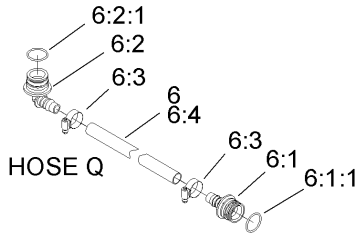
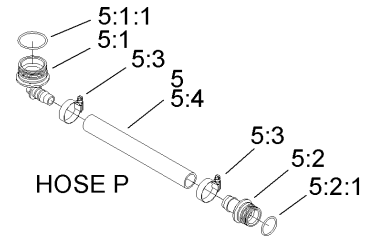
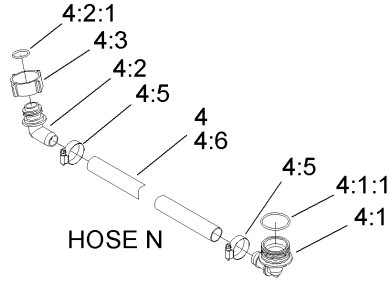
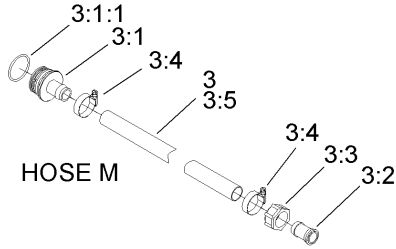




## Hose Assembly No. 1

| Ref   | Part No. | Qty. | Description               |
|-------|----------|------|---------------------------|
| ②1    |          | 1    | Boom Bypass Hose ASM      |
| 1:1   | 106-4945 | 1    | Elbow                     |
| 1:1:1 | 100-6712 | 1    | O-Ring                    |
| 1:2   | 106-4948 | 1    | Hose Barb ASM             |
| 1:2:1 | 100-6882 | 1    | O-Ring                    |
| 1:3   | 2412-3   | 2    | Clamp-Hose                |
| 1:4   | 104-9044 | 1    | Hose-Bypass, Boom         |
| ②2    |          | 1    | Agitation Supply Hose ASM |
| 2:1   | 106-4950 | 1    | Hose Barb ASM             |
| 2:1:1 | 100-8671 | 1    | O-Ring                    |
| 2:2   | 100-8670 | 1    | Hosebarb                  |
| 2:3   | 100-8669 | 1    | Nut                       |
| 2:4   | 100-8671 | 1    | O-Ring                    |
| 2:5   | 2412-3   | 2    | Clamp-Hose                |
| 2:6   | 104-8711 | 1    | Hose                      |
| ②3    |          | 1    | Tee Controls Hose ASM     |
| 3:1   | 106-4933 | 1    | Hosebarb ASM              |
| 3:1:1 | 100-8637 | 1    | O-Ring                    |
| 3:2   | 2412-3   | 1    | Clamp-Hose                |
| 3:3   | 104-8713 | 1    | Hose                      |

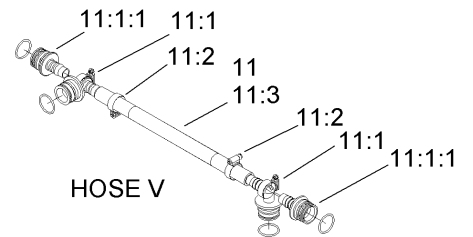
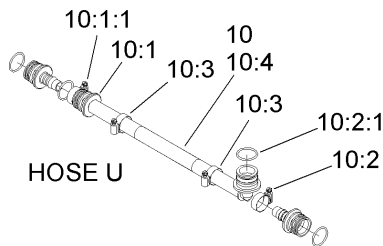
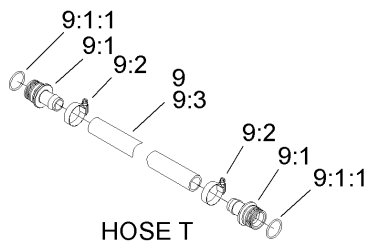
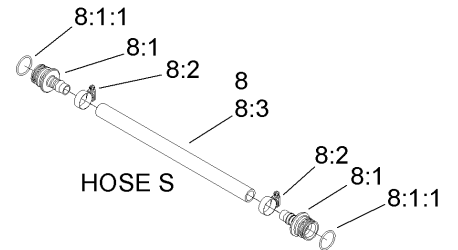
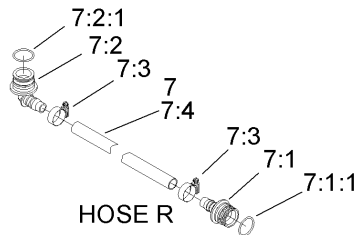
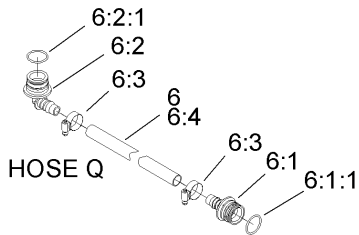
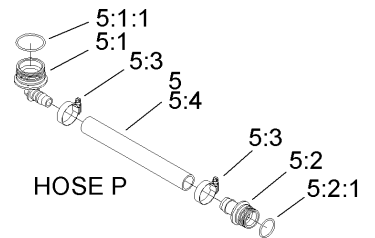
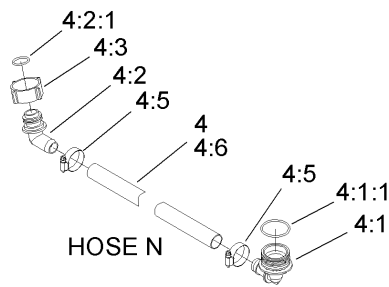
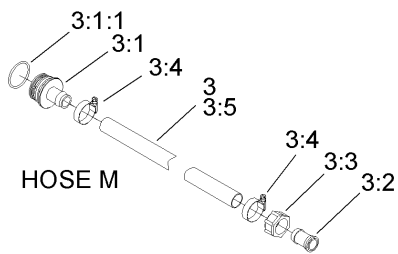
3353-901 Rev B



## Hose Assembly No. 2

| Ref   | Part No. | Qty. | Description              |
|-------|----------|------|--------------------------|
| ②3    |          | 1    | Manifold Tee Hose ASM    |
| 3:1   | 106-4932 | 1    | Hosebarb-Straight        |
| 3:1:1 | 100-8637 | 1    | O-Ring                   |
| 3:2   | 99-0781  | 1    | Hosebarb                 |
| 3:3   | 99-0769  | 1    | Nut                      |
| 3:4   | 2412-3   | 2    | Clamp-Hose               |
| 3:5   | 104-8712 | 1    | Hose                     |
| ②4    |          | 1    | Relief Valve Hose ASM    |
| 4:1   | 106-4933 | 1    | Hosebarb ASM             |
| 4:1:1 | 100-8637 | 1    | O-Ring                   |
| 4:2   | 106-4949 | 1    | Hosebarb                 |
| 4:2:1 | 100-6646 | 1    | O-Ring                   |
| 4:3   | 100-8678 | 1    | Nut                      |
| 4:5   | 2412-3   | 2    | Clamp-Hose               |
| 4:6   | 104-8710 | 1    | Hose                     |
| ②5    |          | 1    | Agitation Valve Hose ASM |
| 5:1   | 106-4933 | 1    | Hosebarb ASM             |
| 5:1:1 | 100-8637 | 1    | O-Ring                   |
| 5:2   | 106-4935 | 1    | Hosebarb ASM             |
| 5:2:1 | 100-6712 | 1    | O-Ring                   |
| 5:3   | 2412-3   | 2    | Clamp-Hose               |
| 5:4   | 107-8642 | 1    | Hose                     |
| ②6    |          | 1    | Hose-Rear Agitation ASM  |
| 6:1   | 106-4939 | 1    | Hosebarb-Straight        |

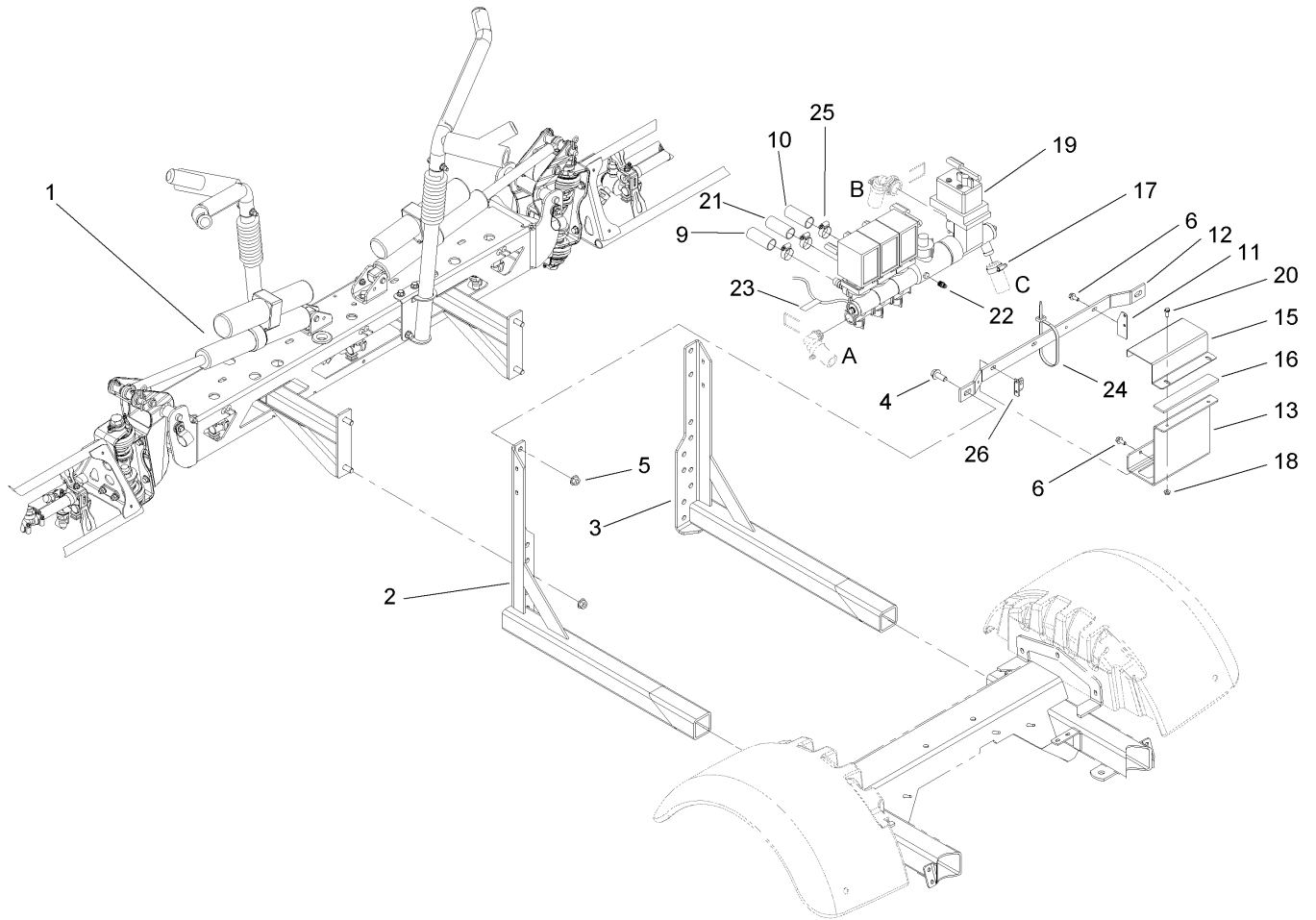
| Ref   | Part No. | Qty. | Description              |
|-------|----------|------|--------------------------|
| 6:1:1 | 100-6712 | 1    | O-Ring                   |
| 6:2   | 106-4940 | 1    | Hosebarb-90 DEG          |
| 6:2:1 | 100-6712 | 1    | O-Ring                   |
| 6:3   | 2412-129 | 2    | Clamp-Hose               |
| 6:4   | 106-1360 | 1    | Hose                     |
| ②7    |          | 1    | Front Agitation Hose ASM |
| 7:1   | 106-4939 | 1    | Hosebarb-Straight        |
| 7:1:1 | 100-6712 | 1    | O-Ring                   |
| 7:2   | 106-4940 | 1    | Hosebarb-90 DEG          |
| 7:2:1 | 100-6712 | 1    | O-Ring                   |
| 7:3   | 2412-129 | 2    | Clamp-Hose               |
| 7:4   | 104-8706 | 1    | Hose                     |
| ②8    |          | 1    | Agitation Hose ASM       |
| 8:1   | 106-4939 | 2    | Hosebarb-Straight        |
| 8:1:1 | 100-6712 | 1    | O-Ring                   |
| 8:2   | 2412-129 | 2    | Clamp-Hose               |
| 8:3   | 108-3689 | 1    | Hose                     |
| ②9    |          | 1    | Agitation Tee Hose ASM   |
| 9:1   | 106-4935 | 2    | Hosebarb ASM             |
| 9:1:1 | 100-6712 | 1    | O-Ring                   |
| 9:2   | 2412-3   | 2    | Clamp-Hose               |
| 9:3   | 104-9039 | 1    | Hose-Tee, Agitation      |
| ②10   |          | 1    | Agitation Hose ASM       |
| 10:1  | 106-4939 | 1    | Hosebarb-Straight        |



## Hose Assembly No. 2 (continued)

| Ref    | Part No. | Qty. | Description        |
|--------|----------|------|--------------------|
| 10:1:1 | 100-6712 | 1    | O-Ring             |
| 10:2   | 106-4940 | 1    | Hosebarb-90 DEG    |
| 10:2:1 | 100-6712 | 1    | O-Ring             |
| 10:3   | 2412-129 | 2    | Clamp-Hose         |
| 10:4   | 108-3366 | 1    | Hose               |
| 11     |          | 1    | Agitation Hose ASM |
| 11:1   | 106-4940 | 2    | Hosebarb-90 DEG    |
| 11:1:1 | 100-6712 | 1    | O-Ring             |
| 11:2   | 2412-129 | 2    | Clamp-Hose         |
| 11:3   | 108-3365 | 1    | Hose               |

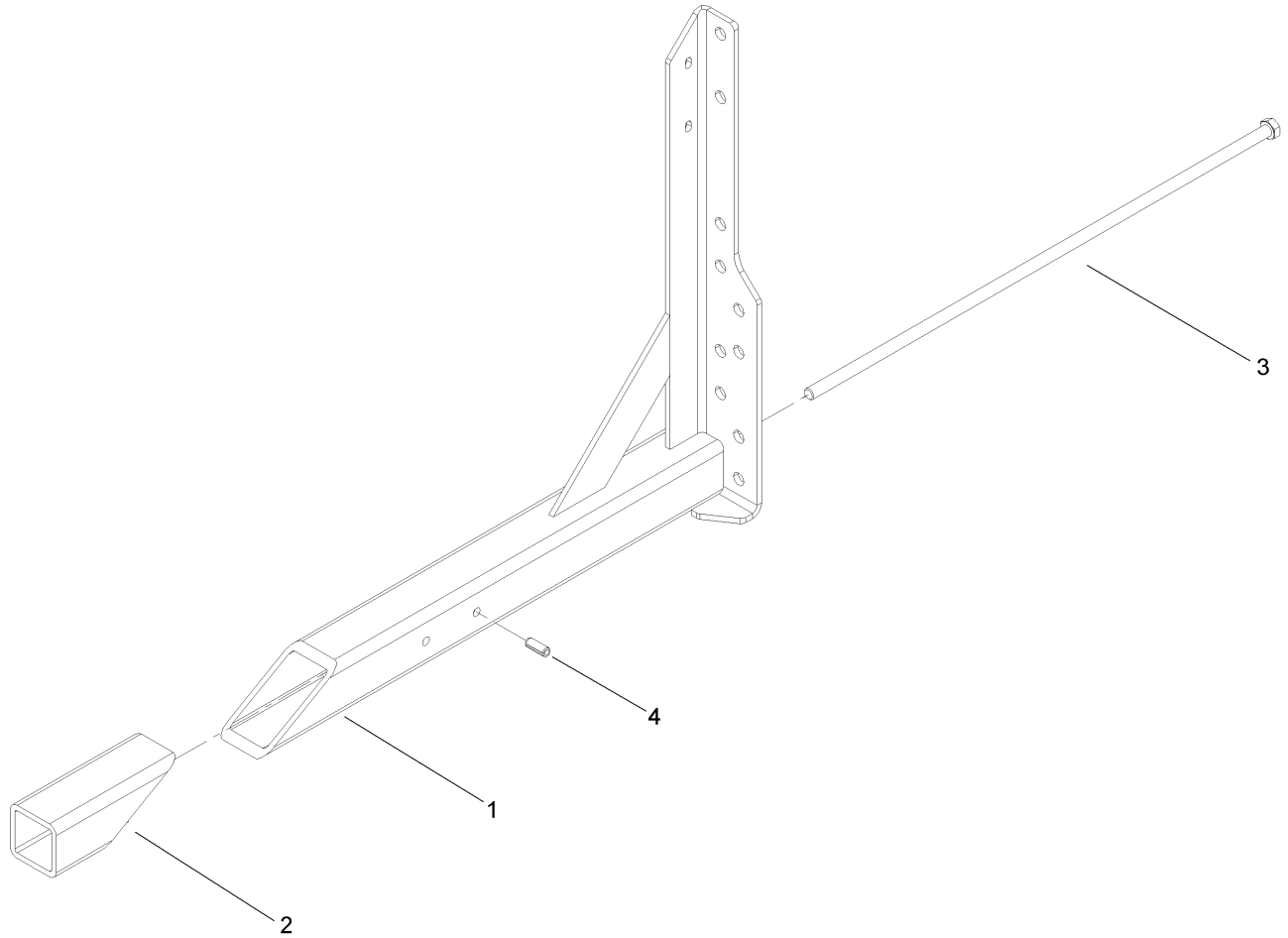
|  |  |  |  |
|--|--|--|--|
|  |  |  |  |
|--|--|--|--|



## Boom Mount Assembly

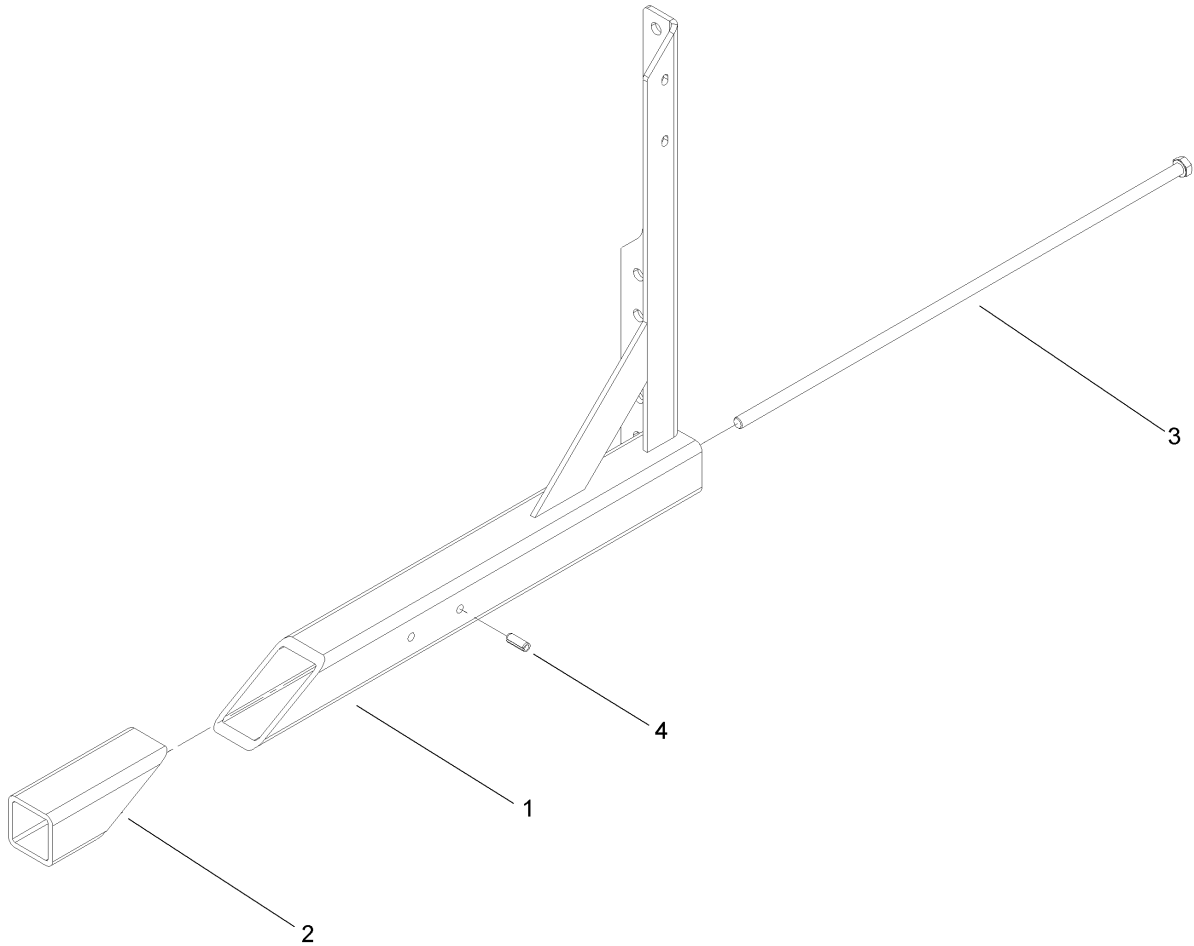
| Ref | Part No.    | Qty. | Description            |
|-----|-------------|------|------------------------|
| ①   |             | 1    | Boom ASM               |
| ②   |             | 1    | RH Boom Mount ASM      |
| ③   |             | 1    | LH Boom Mount ASM      |
| 4   | 3234-32     | 4    | Screw-HHF              |
| 5   | 32128-49    | 6    | Nut-HHF                |
| 6   | 3234-5      | 3    | Screw-HHF              |
| 9   | 108-3719    | 1    | Hose                   |
| 10  | 108-3720    | 1    | Hose-Boom, LH          |
| 11  | 100-8433-03 | 1    | Bracket                |
| 12  | 108-3693-03 | 1    | Bar-Mounting, Valve    |
| 13  | 107-8611-03 | 1    | Bracket-Valve, Boom    |
| 15  | 107-8612-03 | 1    | Bracket-Support, Valve |
| 16  | 100-8524    | 1    | Strip-Foam             |
| 17  | 2412-3      | 1    | Clamp-Hose             |
| 18  | 32128-33    | 2    | Nut-HF                 |
| ①   |             | 1    | Valve-Control, Evc     |
| 20  | 3234-4      | 2    | Screw-HHF              |
| 21  | 40506       | 1    | Hose-Jumper            |
| 22  | 100-8674    | 1    | Coupler-Tube           |
| 23  | 107-8738    | 3    | Decal-Fuse, 3 Amp      |
| 24  | 3290-379    | 1    | Tie-Cable              |
| 25  | 2412-129    | 3    | Clamp-Hose             |
| 26  | 100-8432-03 | 2    | Bracket                |

|  |  |  |  |
|--|--|--|--|
|  |  |  |  |
|  |  |  |  |
|  |  |  |  |
|  |  |  |  |



## RH Boom Mount Assembly

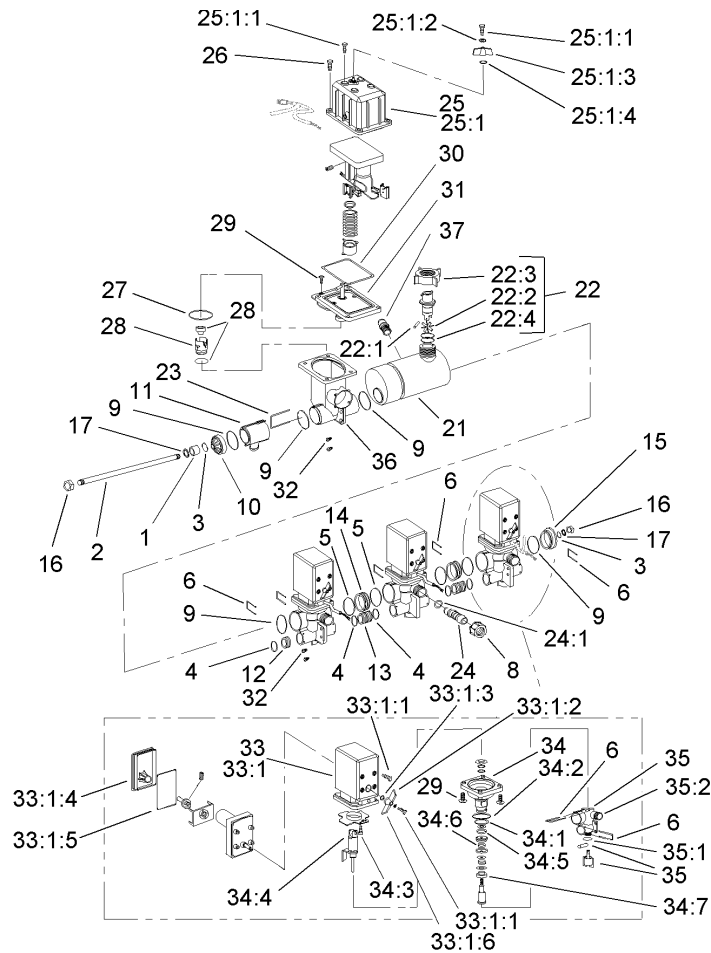
| Ref | Part No.    | Qty. | Description       |  |
|-----|-------------|------|-------------------|--|
| 1   | 108-3714-03 | 1    | RH Boom Mount ASM |  |
| 2   | 107-8638-03 | 1    | Wedge-Tube        |  |
| 3   | 107-8620    | 1    | Screw-HH          |  |
| 4   | 32121-41    | 1    | Pin-Roll          |  |
|     |             |      |                   |  |
|     |             |      |                   |  |
|     |             |      |                   |  |
|     |             |      |                   |  |
|     |             |      |                   |  |
|     |             |      |                   |  |
|     |             |      |                   |  |
|     |             |      |                   |  |
|     |             |      |                   |  |
|     |             |      |                   |  |
|     |             |      |                   |  |
|     |             |      |                   |  |
|     |             |      |                   |  |
|     |             |      |                   |  |



## LH Boom Mount Assembly

| Ref | Part No.    | Qty. | Description       |
|-----|-------------|------|-------------------|
| 1   | 108-3715-03 | 1    | LH Boom Mount ASM |
| 2   | 107-8638-03 | 1    | Wedge-Tube        |
| 3   | 107-8620    | 1    | Screw-HH          |
| 4   | 32121-41    | 1    | Pin-Roll          |

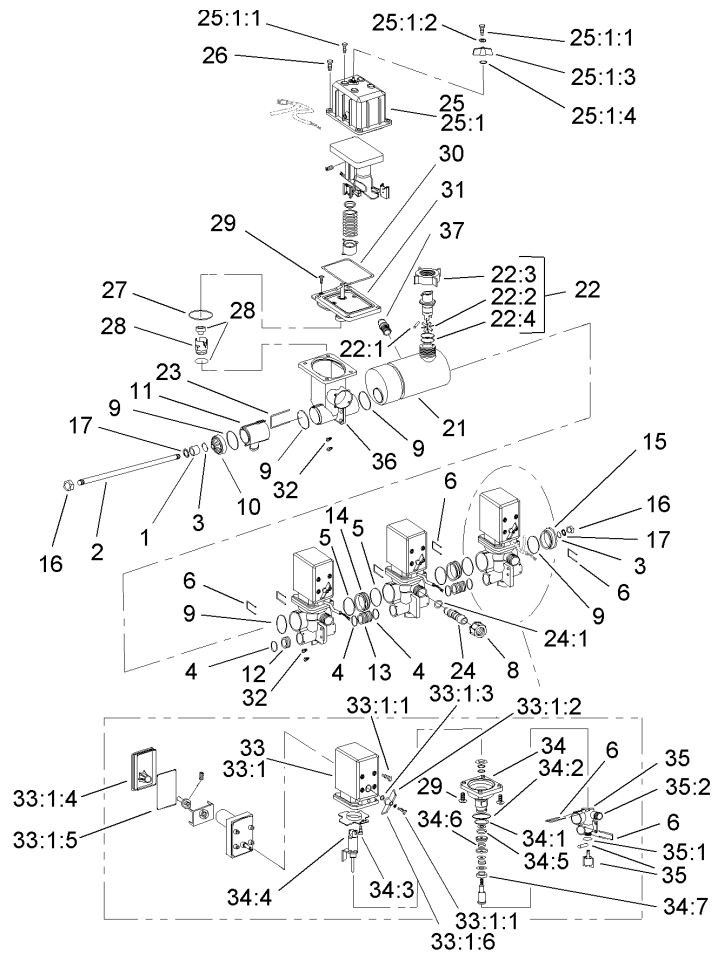
| Ref | Part No. | Qty. | Description |
|-----|----------|------|-------------|
|     |          |      |             |
|     |          |      |             |
|     |          |      |             |
|     |          |      |             |



## EVC Control Valve Assembly

| Ref  | Part No. | Qty. | Description         |
|------|----------|------|---------------------|
| 1    | 100-6897 | 1    | Bushing             |
| 2    | 100-6909 | 1    | Rod-Threaded        |
| 3    | 100-6887 | 2    | O-Ring              |
| 4    | 100-6882 | 5    | O-Ring              |
| 5    | 100-6646 | 5    | O-Ring              |
| 6    | 100-6885 | 9    | Fork-Valve, Boom    |
| 8    | 99-0850  | 3    | Nut                 |
| 9    | 100-6892 | 4    | O-Ring              |
| 10   | 100-6913 | 1    | Cover               |
| 11   | 100-6908 | 1    | T-Piece             |
| 12   | 100-6891 | 1    | Cap-End             |
| 13   | 100-6890 | 2    | Joiner-Bypass, Boom |
| 14   | 100-6896 | 2    | Joiner-Valve, Boom  |
| 15   | 100-6915 | 1    | Cover-End           |
| 16   | 100-6894 | 2    | Nut                 |
| 17   | 100-6634 | 2    | Washer              |
| 21   | 100-6920 | 1    | Housing-Meter, Flow |
| 22   | 100-6900 | 1    | Flow Sensor ASM     |
| 22:1 | 100-6906 | 1    | Shaft-Rotor         |
| 22:2 | 100-6919 | 1    | Meter-Flow, Rotor   |
| 22:3 | 100-8678 | 1    | Nut                 |
| 22:4 | 100-8653 | 1    | O-Ring              |
| 23   | 100-6907 | 1    | Fork                |
| 24   | 106-5112 | 3    | Hosebarb ASM        |

| Ref    | Part No. | Qty. | Description                 |
|--------|----------|------|-----------------------------|
| 24:1   | 100-6645 | 1    | O-Ring                      |
| 25     | 108-3351 | 1    | Rate Control Motor ASM      |
| 25:1   | 108-3341 | 1    | Motor-Control, Rate         |
| 25:1:1 | 100-6876 | 1    | Screw                       |
| 25:1:2 | 100-6877 | 1    | Washer-Lock                 |
| 25:1:3 | 100-6903 | 1    | Grip-Hand                   |
| 25:1:4 | 100-6880 | 1    | O-Ring                      |
| 25:2   | 107-8738 | 1    | Decal-Fuse, 3 Amp           |
| 26     | 100-6918 | 4    | Screw-Plastic               |
| 27     | 100-6904 | 1    | O-Ring                      |
| 28     | 100-6905 | 1    | Rate Valve Repair Kit       |
| 29     | 100-6917 | 16   | Screw-Plastic               |
| 30     | 100-6901 | 1    | Gasket-Housing, Valve Motor |
| 31     | 100-6899 | 1    | Section-Spindle, Valve Rate |
| 32     | 100-6916 | 6    | Screw-Plastic               |
| 33     | 108-3257 | 3    | Boom Motor Valve ASM        |
| 33:1   | 108-3340 | 1    | Motor-Valve, Boom           |
| 33:1:1 | 100-6876 | 1    | Screw                       |
| 33:1:2 | 100-6877 | 1    | Washer-Lock                 |
| 33:1:3 | 100-6880 | 1    | O-Ring                      |
| 33:1:4 | 100-6874 | 1    | Cover-Valve, Boom           |
| 33:1:5 | 100-6912 | 1    | Cover-Seal                  |
| 33:1:6 | 100-6875 | 1    | Handgrip-Valve, Boom        |
| 33:2   | 107-8738 | 1    | Decal-Fuse, 3 Amp           |

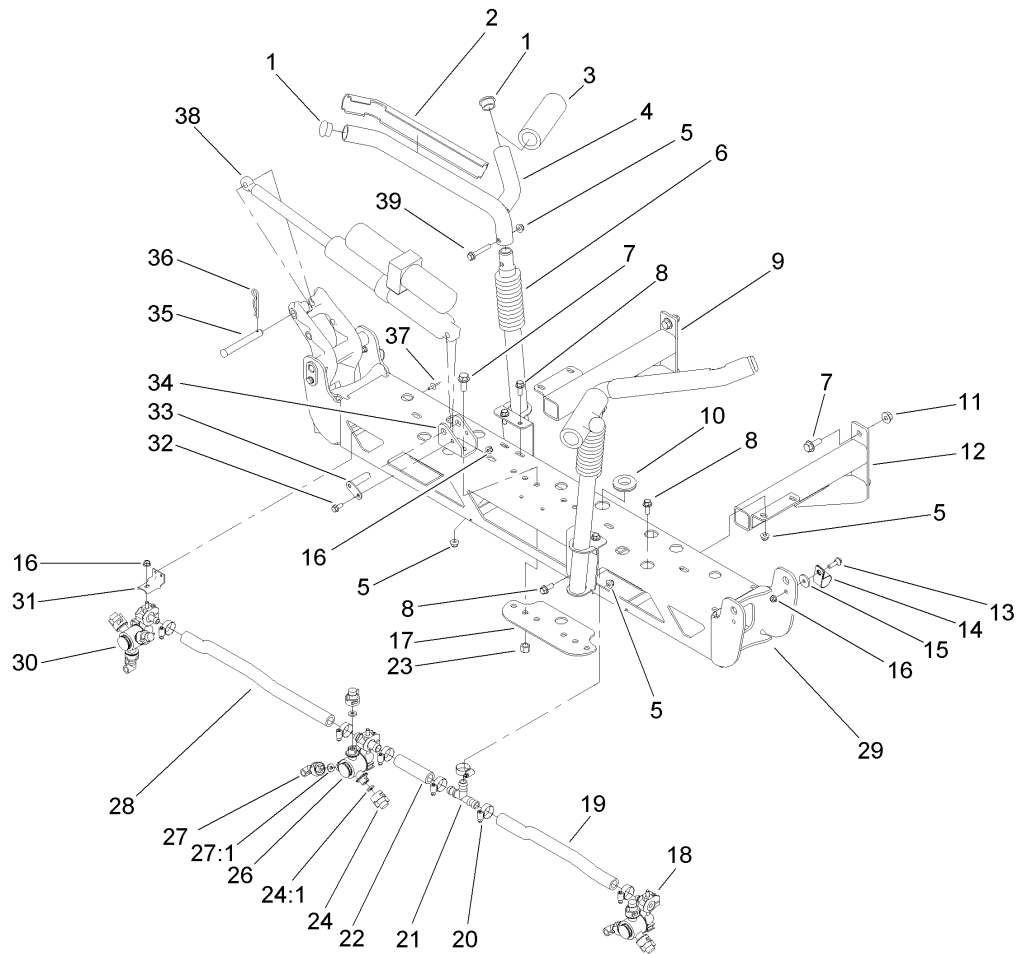


## EVC Control Valve Assembly (continued)

| Ref  | Part No. | Qty. | Description                 |
|------|----------|------|-----------------------------|
| 34   | 100-6889 | 3    | Section-Spindle, Boom Valve |
| 34:1 | 100-8653 | 1    | O-Ring                      |
| 34:2 | 100-6882 | 5    | O-Ring                      |
| 34:3 | 100-6911 | 1    | Pin-Roller                  |
| 34:4 | 100-6910 | 1    | Bearing-Roller              |
| 34:5 | 100-6879 | 1    | O-Ring                      |
| 34:6 | 100-6878 | 1    | O-Ring                      |
| 34:7 | 100-6881 | 1    | Cone-Stem, Boom Valve       |
| 35   | 100-6888 | 3    | Manifold-Valve, Boom        |
| 35:1 | 100-6887 | 1    | O-Ring                      |
| 35:2 | 106-5151 | 1    | Manifold-Lower              |
| 36   | 100-6914 | 1    | Valve-Control, Housing Rate |
| 37   | 100-8674 | 1    | Coupler-Tube                |

|  |  |  |  |
|--|--|--|--|
|  |  |  |  |
|--|--|--|--|

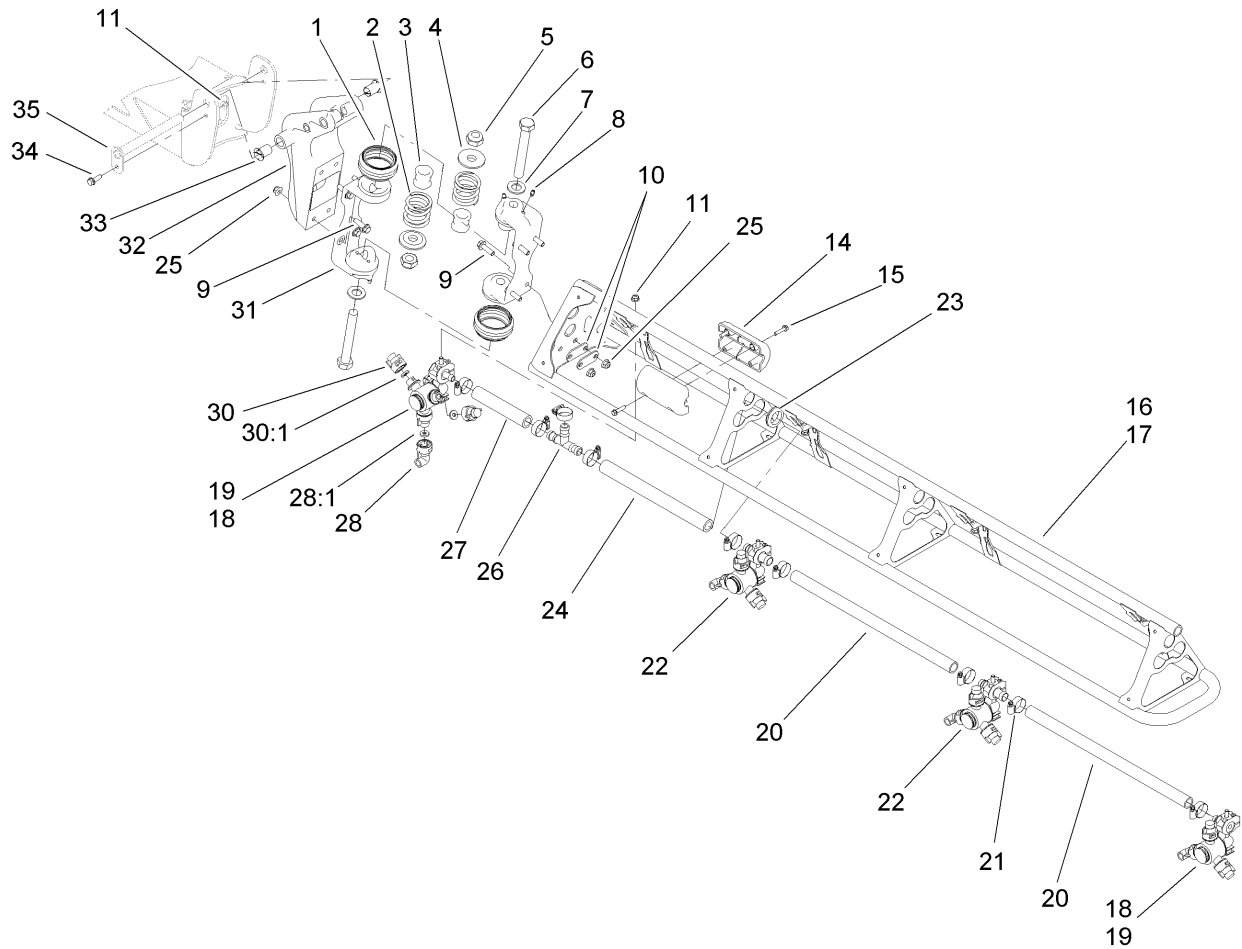




## Boom Assembly No. 1

| Ref | Part No.    | Qty. | Description              |
|-----|-------------|------|--------------------------|
| 1   | 108-3489    | 4    | Cap-Tube                 |
| 2   | 108-3495    | 2    | Cover-Slide              |
| 3   | 108-3457    | 2    | Spacer                   |
| 4   | 108-3476-03 | 2    | Upper Cradle ASM         |
| 5   | 104-8301    | 12   | Nut-Flange, NI           |
| 6   | 108-3472-03 | 2    | Lower Cradle ASM         |
| 7   | 3234-32     | 8    | Screw-HHF                |
| 8   | 3234-42     | 10   | Screw-HHF                |
| 9   | 108-3408-03 | 1    | Frame-Mount, Boom (LH)   |
| 10  | 108-3723    | 1    | Grommet                  |
| 11  | 32128-49    | 4    | Nut-HHF                  |
| 12  | 108-3409-03 | 1    | Frame-Mount, Boom (RH)   |
| 13  | 27-7211     | 2    | Screw-Shoulder           |
| 14  | 2412-82     | 2    | Clamp                    |
| 15  | 105-3048    | 2    | Washer-Flat              |
| 16  | 104-8300    | 7    | Nut-Flange, NI           |
| 17  | 108-3469-03 | 1    | Plate-Washer             |
| 18  | 108-3726    | 1    | Body-Turret, Single (RH) |
| 19  | 108-3718    | 1    | Hose-Boom, Center (RH)   |
| 20  | 2412-129    | 7    | Clamp-Hose               |
| 21  | 108-3439    | 1    | Tee                      |
| 22  | 108-3717    | 1    | Hose-Boom                |
| 23  | 3296-23     | 4    | Nut-Lock, NI             |
| 24  | 95-9187     | 6    | Cap-Blank                |

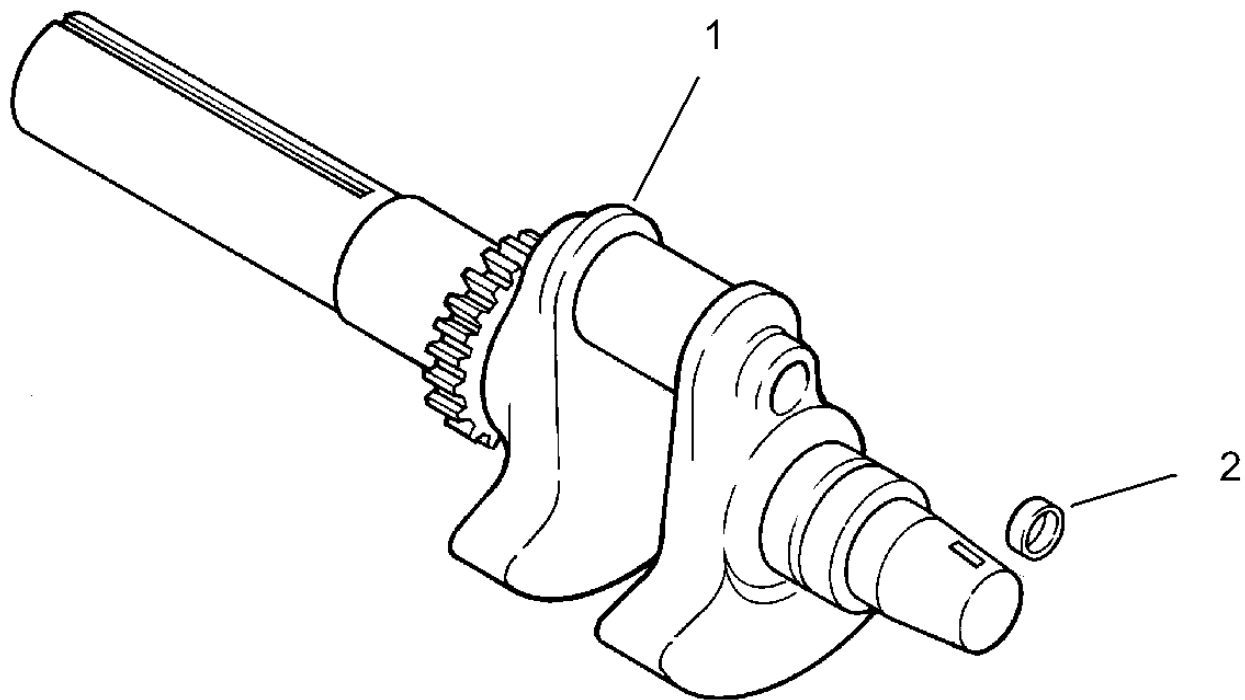
| Ref  | Part No. | Qty. | Description              |
|------|----------|------|--------------------------|
| 24:1 | 40998    | 1    | Seat-Gasket              |
| 26   | 108-3727 | 1    | Body-Turret, Double      |
| 27   | 95-9186  | 3    | Cap                      |
| 27:1 | 40998    | 1    | Seat-Gasket              |
| 28   | 108-3735 | 1    | Hose-Boom, Center (LH)   |
| 29   | 108-3410 | 1    | Frame ASM                |
| 30   | 108-3725 | 1    | Body-Turret, Single (LH) |
| 31   | 107-8775 | 3    | Bracket-Mount, Nozzle    |
| 32   | 3234-47  | 2    | Screw-HHF                |
| 33   | 108-3420 | 2    | Pivot Pin ASM            |
| 34   | 108-3401 | 2    | Strap-Clevis             |
| 35   | 108-3436 | 2    | Pin-Clevis               |
| 36   | 3290-468 | 2    | Pin-Cotter               |
| 37   | 3269-18  | 6    | Rivet-Pop                |
| 38   | 108-3438 | 2    | Actuator                 |
| 39   | 100-2592 | 2    | Screw-HHF                |



## Boom Assembly No. 2

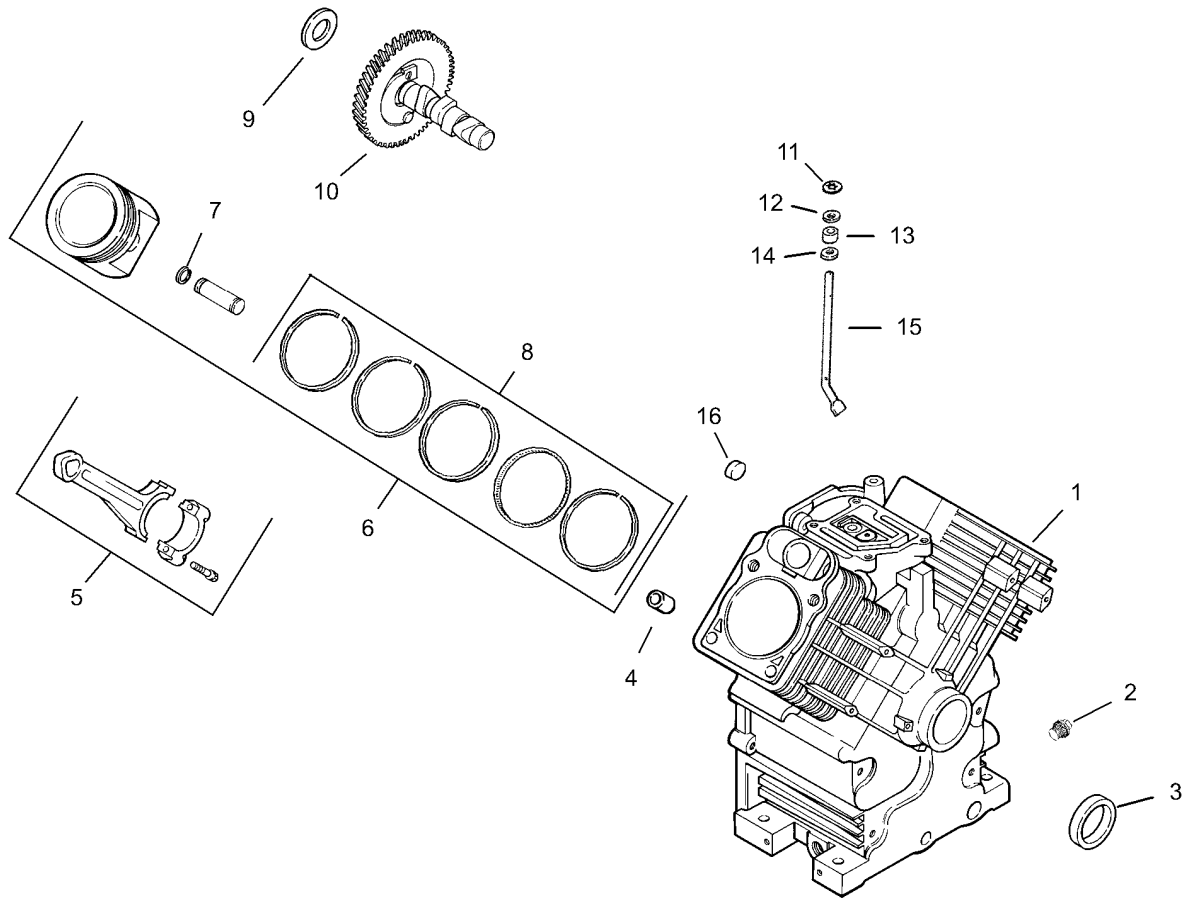
| Ref | Part No.    | Qty. | Description              |
|-----|-------------|------|--------------------------|
| 1   | 108-3459    | 4    | Boot-Hinge               |
| 2   | 108-3440    | 4    | Spring-Breakaway, Boom   |
| 3   | 108-3730    | 4    | Tube-Hinge               |
| 4   | 108-3444    | 4    | Retainer-Spring          |
| 5   | 3296-67     | 4    | Nut-Lock NI              |
| 6   | 108-3738    | 4    | Screw-HH                 |
| 7   | 3256-28     | 4    | Washer-Flat              |
| 8   | 302-5       | 8    | Fitting-Grease           |
| 9   | 3234-24     | 16   | Screw-HHF                |
| 10  | 108-3605    | 8    | Plate-Backing            |
| 11  | 104-8300    | 10   | Nut-Flange, NI           |
| 14  | 108-3429    | 4    | Block-Slide              |
| 15  | 46-8092     | 8    | Screw-Plastite           |
| 16  | 108-3524-03 | 1    | RH Boom ASM              |
| 17  | 108-3525-03 | 1    | LH Boom ASM              |
| 18  | 108-3726    | 2    | Body-Turret, Single (RH) |
| 19  | 108-3725    | 2    | Body-Turret, Single (LH) |
| 20  | 40506       | 4    | Hose-Jumper              |
| 21  | 2412-129    | 18   | Clamp-Hose               |
| 22  | 108-3727    | 4    | Body-Turret, Double      |
| 23  | 240-3       | 4    | Grommet-Rubber           |
| 24  | 108-3721    | 2    | Hose-Boom                |
| 25  | 104-8301    | 16   | Nut-Flange, NI           |
| 26  | 108-3439    | 2    | Tee                      |

| Ref  | Part No. | Qty. | Description   |
|------|----------|------|---------------|
| 27   | 108-3728 | 2    | Hose-Boom     |
| 28   | 95-9186  | 8    | Cap           |
| 28:1 | 40998    | 1    | Seat-Gasket   |
| 30   | 95-9187  | 16   | Cap-Blank     |
| 30:1 | 40998    | 1    | Seat-Gasket   |
| 31   | 108-3471 | 4    | Hinge         |
| 32   | 108-3600 | 2    | Bracket-Pivot |
| 33   | 100-8541 | 4    | Bushing-A Arm |
| 34   | 3234-17  | 2    | Screw-HHF     |
| 35   | 108-3419 | 2    | Pivot Pin ASM |



**Crankshaft Assembly  
Kohler CH20S-64647**

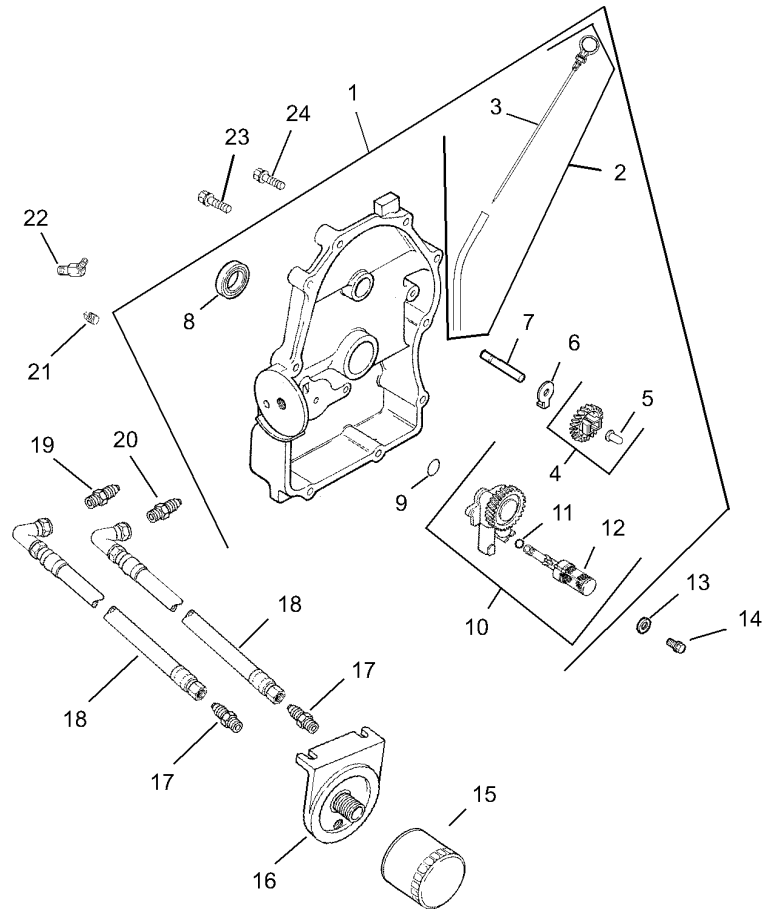
| Ref | Part No.     | Qty. | Description                |  |  |  |  |
|-----|--------------|------|----------------------------|--|--|--|--|
| ●1  | 24 014 103-S | 2    | Crankshaft (Incl. Ref. #2) |  |  |  |  |
| ●2  | 52 139 09-S  | 1    | Plug-Cup                   |  |  |  |  |
|     |              |      |                            |  |  |  |  |
|     |              |      |                            |  |  |  |  |
|     |              |      |                            |  |  |  |  |
|     |              |      |                            |  |  |  |  |
|     |              |      |                            |  |  |  |  |
|     |              |      |                            |  |  |  |  |
|     |              |      |                            |  |  |  |  |
|     |              |      |                            |  |  |  |  |
|     |              |      |                            |  |  |  |  |
|     |              |      |                            |  |  |  |  |
|     |              |      |                            |  |  |  |  |



## Crankcase Assembly Kohler CH20S-64647

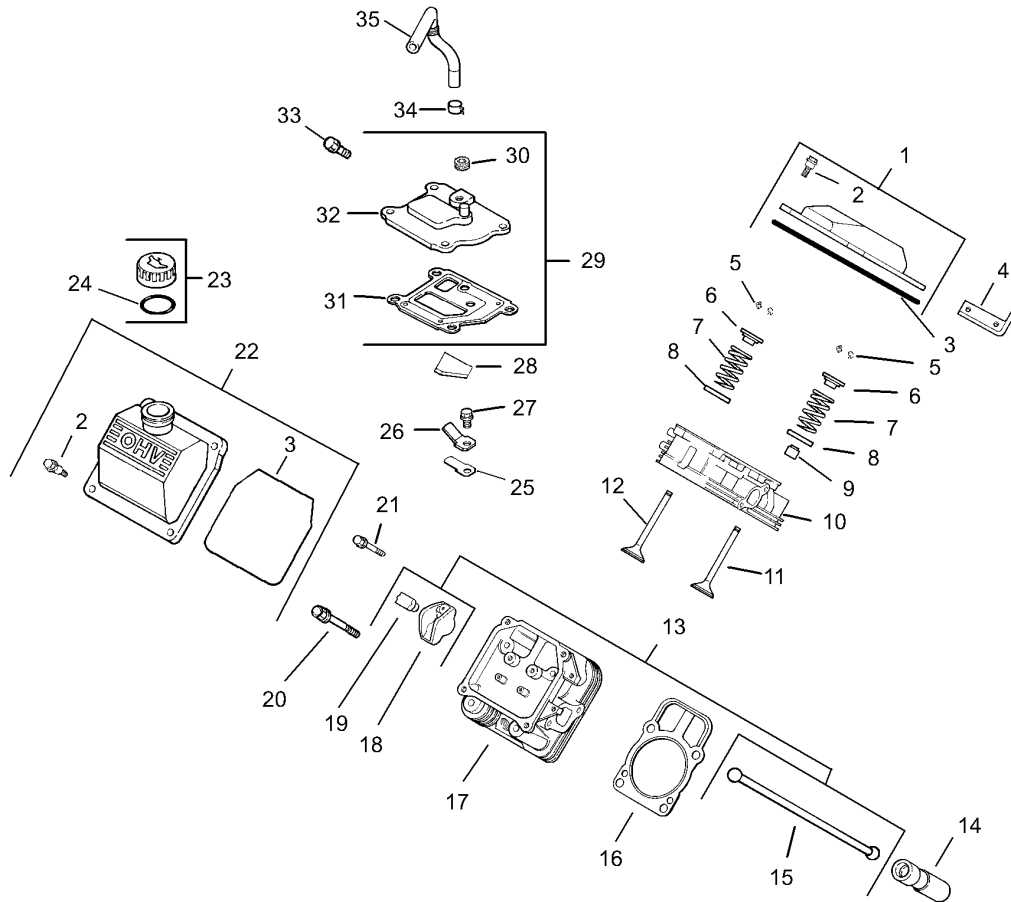
| Ref | Part No.    | Qty. | Description                                   |
|-----|-------------|------|---|
| ❶   |             | 1    | Cylinder Block (Use Miniblock 24 782 15)      |
| ❷   | 25 139 57-S | 2    | Plug-Solid, Square Head (.38)                 |
| ❸   | 24 032 01-S | 1    | Seal-Oil                                      |
| ❹   | 24 380 13-S | 6    | Pin-Locating                                  |
| ❺   | 24 067 13-S | 2    | Rod-Connecting (Standard)                     |
| ❻   | 24 067 14-S | 2    | Rod-Connecting (.25)                          |
| ❼   | 24 874 17-S | 2    | Piston W/Ring Set (STD.)(Incl. Ref. #7 And 8) |
| ❽   | 24 874 14-S | 2    | Piston ASM (.08)                              |
| ❾   | 24 874 18-S | 2    | Piston ASM (.25)                              |
| ❿   | 24 874 19-S | 2    | Piston ASM (.50)                              |
| ⓫   | 24 018 01-S | 4    | Retainer-Pin, Piston                          |
| ⓬   | 24 108 11-S | 2    | Ring Set (STD And .08)                        |
| ⓭   | 24 108 12-S | 2    | Ring Set (.25)                                |
| ⓮   | 24 108 13-S | 2    | Set-Ring (.50)                                |
| ⓯   | 12 422 09-S | 0    | Shim-Camshaft (Red .032)                      |
| ⓰   | 12 422 13-S | 0    | Shim-Camshaft (Black .04)                     |
| ⓱   | 12 422 07-S | 0    | Shim-Camshaft (White .028)                    |
| ⓲   | 12 422 08-S | 0    | Shim-Camshaft (Blue .03)                      |
| ⓳   | 12 422 10-S | 0    | Shim-Camshaft (Yellow .034)                   |
| ⓴   | 12 422 11-S | 0    | Shim-Camshaft (Green .036)                    |
| ⓵   | 12 422 12-S | 0    | Shim-Camshaft (Gray .038)                     |
| ⓶   | 24 012 10-S | 1    | Camshaft                                      |

| Ref | Part No.    | Qty. | Description                |
|-----|-------------|------|----------------------------|
| ⓷   | 24 018 09-S | 1    | Ring-Retainer              |
| ⓸   | M-931010-S  | 1    | Washer-Flat (8 Mm)         |
| ⓹   | 28 032 09-S | 1    | Seal-Shaft, Cross Governor |
| ⓺   | 24 468 15-S | 1    | Washer-Flat (.34)          |
| ⓻   | 24 144 33-S | 1    | Shaft-Governor Cross       |
| ⓼   | 52 139 09-S | 1    | Plug-Cup                   |



## Oil Pan / Lubrication Assembly Kohler CH20S-6467

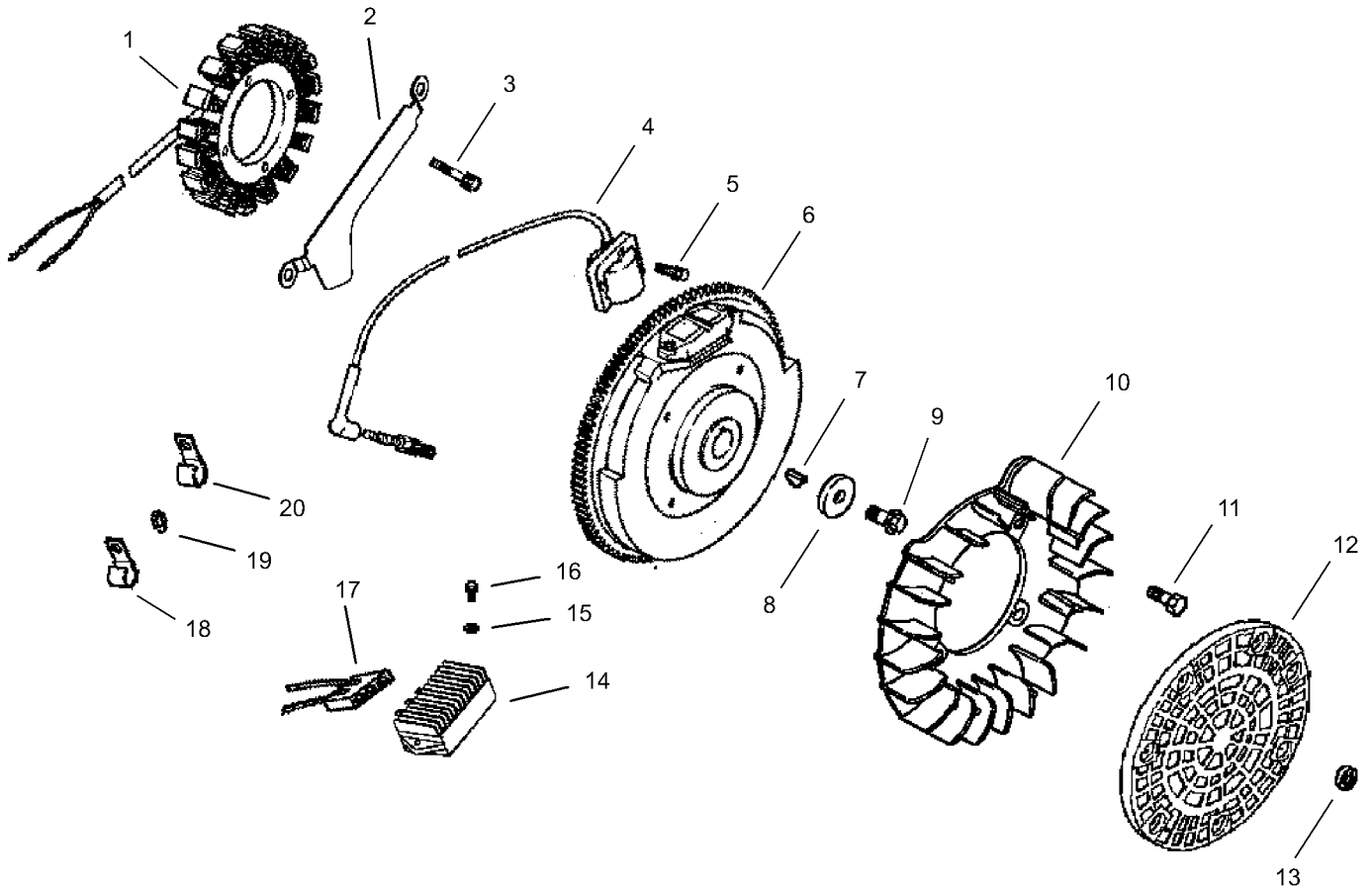
| Ref | Part No.     | Qty. | Description                                      | Ref | Part No.    | Qty. | Description           |
|-----|--------------|------|--|-----|-------------|------|-----------------------|
| ❶1  | 24 009 96-S  | 1    | Plate, Closure ASM (Incl. Ref. #2-12,19, 20, 22) | ❶23 | 24 086 17-S | 1    | Screw-HF (M8X1.25X45) |
| ❶2  | 24 755 121-S | 3    | Kit, Dipstick W/Tube (Incl. Ref. #3)             | ❶❶  | 25 454 03-S | 2    | Tie-Wire              |
| ❶3  | 24 038 10-S  | 1    | Dipstick   |     |             |      |                       |
| ❶4  | 24 043 12-S  | 5    | Kit, Governor Gear (Incl. Ref. #5)               |     |             |      |                       |
| ❶5  | 12 380 01-S  | 1    | Pin-Regulating, Governor                         |     |             |      |                       |
| ❶6  | 52 448 02-S  | 1    | Tab-Locking                                      |     |             |      |                       |
| ❶7  | 12 144 02-S  | 1    | Shaft-Gear, Governor                             |     |             |      |                       |
| ❶8  | 52 032 08-S  | 1    | Seal-Oil   |     |             |      |                       |
| ❶9  | 24 153 08-S  | 1    | O-Ring   |     |             |      |                       |
| ❶10 | 24 393 37-S  | 1    | Oil Pump Assembly (Incl. Ref. #11, 12)           |     |             |      |                       |
| ❶11 | 24 153 01-S  | 1    | O-Ring   |     |             |      |                       |
| ❶12 | 24 381 04-S  | 1    | Pick Up-Oil                                      |     |             |      |                       |
| ❶13 | M-631005-S   | 2    | Washer-Plain (6 Mm)                              |     |             |      |                       |
| ❶14 | M-645025-S   | 2    | Screw-HF (M6X1.0X25)                             |     |             |      |                       |
| ❶15 | 52 050 02-S  | 1    | Filter-Oil                                       |     |             |      |                       |
| ❶16 | 25 029 01-S  | 1    | Adapter-Oil Filter, Remote                       |     |             |      |                       |
| ❶17 | 52 155 03-S  | 2    | Connector-Hose                                   |     |             |      |                       |
| ❶18 | 24 326 46-S  | 2    | Hose, Oil  |     |             |      |                       |
| ❶19 | 24 294 08-S  | 1    | Fitting  |     |             |      |                       |
| ❶20 | 24 294 09-S  | 1    | Fitting-Straight                                 |     |             |      |                       |
| ❶21 | 25 155 11-S  | 1    | Connector 1/4-18 Npt,1/2-20 Sae 45Ø Maleflare    |     |             |      |                       |
| ❶22 | 24 086 16-S  | 9    | Screw-HF (M8X1.25X45)                            |     |             |      |                       |



## Head / Valve / Breather Assembly Kohler CH20S-64647

| Ref | Part No.    | Qty. | Description                                  |
|-----|-------------|------|--|
| ❶   | 24 755 74-S | 1    | Kit, Valve Cover-Plain (Incl. Ref. #2 And 3) |
| ❷   | 24 086 32-S | 4    | Screw-Shoulder, M6X1.0X30                    |
| ❸   | 24 153 23-S | 1    | O-Ring                                       |
| ❹   | 24 445 01-S | 1    | Strap-Lifting                                |
| ❺   | 12 755 03-S | 4    | Retainer Kit                                 |
| ❻   | 12 173 01-S | 4    | Cap-Spring, Valve                            |
| ❼   | 24 089 02-S | 4    | Spring-Valve                                 |
| ❽   | 235011-S    | 4    | Retainer-Spring                              |
| ❾   | 66 032 05-S | 2    | Seal-Stem, Valve                             |
| ❿   | 24 318 68-S | 1    | No. 1 Cylinder Head ASM                      |
| ⓫   | 24 017 01-S | 2    | Valve-Intake (Standard)                      |
| ⓬   | 24 017 02-S | 2    | Valve-Intake (.25)                           |
| ⓭   | 24 016 01-S | 2    | Valve-Exhaust (Standard)                     |
| ⓮   | 24 016 02-S | 2    | Valve-Exhaust (.25)                          |
| ⓯   | 24 755 66-S | 1    | Kit, Valve Train (Incl. Ref. #15,18,19)      |
| ⓰   | 25 351 01-S | 4    | Lifter-Valve                                 |
| ⓱   | 24 411 05-S | 4    | Rod-Push                                     |
| ⓲   | 24 041 08-S | 2    | Gasket-Cylinder Head                         |
| ⓳   | 24 318 71-S | 1    | No. 2 Cylinder Head ASM                      |
| ⓴   | 25 186 01-S | 4    | Arm-Rocker                                   |
| ⓵   | 24 599 01-S | 4    | Pivot-Arm, Rocker                            |
| ⓶   | 12 086 16-S | 8    | Screw-Hex Flange (M10X1.5X90)                |

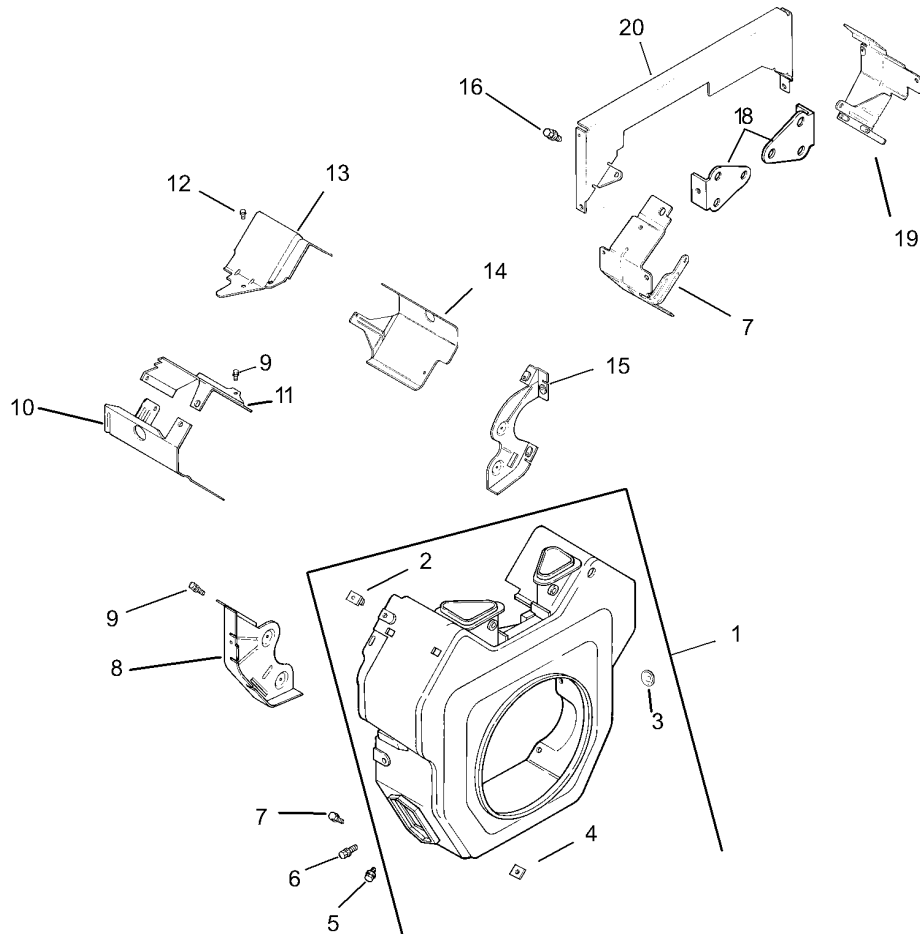
| Ref | Part No.    | Qty. | Description                                       |
|-----|-------------|------|---|
| ⓷   | M-640034-S  | 4    | Screw-HF (M6X1.0X34)                              |
| ⓸   | 24 559 03-S | 1    | Kit, Fuel Pump/Valve Cover (Incl. Ref. # 2 And 3) |
| ⓹   | 24 755 46-S | 1    | Kit, Oil Fill Cap (Incl. Ref. #24)                |
| ⓺   | 25 153 02-S | 1    | O-Ring  |
| ⓻   | 24 402 03-S | 1    | Reed-Breather                                     |
| ⓼   | 12 018 01-S | 1    | Retainer-Reed, Breather                           |
| ⓽   | M-545010-S  | 1    | Screw-HHFTF (M5X0.8X10)                           |
| ⓾   | 24 050 01-S | 1    | Filter-Breather                                   |
| ⓿   | 24 033 01-S | 1    | Kit, Breather(Incl. Ref. #30-32)                  |
| Ⓚ   | 25 139 60-S | 1    | Plug-Hex, Countersunk (.125)                      |
| Ⓛ   | 24 041 23-S | 1    | Gasket-Breather                                   |
| Ⓜ   | 24 096 86-S | 1    | Cover-Breather                                    |
| Ⓨ   | M-645020-S  | 4    | Screw-Flange, Hex (M6X1.0X20)                     |
| Ⓩ   | 25 237 14-S | 1    | Clamp-Hose  |
| Ⓚ   | 24 326 26-S | 0    | Hose-Breather                                     |



## Ignition / Electrical Assembly Kohler CH20S-64647

| Ref | Part No.    | Qty. | Description                               |
|-----|-------------|------|---|
| ❶   | 28 085 02-S | 1    | Kit, Stator W/Connectors (Incl. Ref. #17) |
| ❷   | 24 126 71-S | 1    | Bracket-Wire, Stator                      |
| ❸   | M-545030-S  | 2    | Screw-Cap, Hex                            |
| ❹   | 24 584 01-S | 2    | Module-Ignition                           |
| ❺   | M-545020-S  | 4    | Screw-HHFTF (M5X0.8X20)                   |
| ❻   | 24 025 01-S | 1    | Flywheel                                  |
| ❼   | X-42-15-S   | 1    | Key (.19 X .62)                           |
| ❽   | 12 468 03-S | 1    | Washer-Flat (.38)                         |
| ❾   | 12 086 14-S | 1    | Screw-Hex, Flange (M10X1.5X45)            |
| ❿   | 24 157 01-S | 1    | Fan                                       |
| ⓫   | 25 086 47-S | 4    | Bolt-Shoulder (M6X1.0X16)                 |
| ⓬   | 24 162 03-S | 1    | Screen-Grass                              |
| ⓭   | 24 018 03-S | 1    | Retainer                                  |
| ⓮   | 25 403 05-S | 1    | Rectifier-Regulator (15 Amp)              |
| ⓯   | X-25-92-S   | 2    | Washer-Flat (.188)                        |
| ⓰   | 24 086 18-S | 2    | Screw-Phi HD (11-16X.88)                  |
| ⓱   | 236602-S    | 1    | Connector (3 Contact)                     |
| ⓲   | 235173-S    | 1    | Clip-Cable                                |
| ⓳   | X-25-63-S   | 1    | Washer-Flat (.25)                         |
| ⓴   | 48 154 02-S | 1    | Clip-Cable                                |
| ⓵   | 12 132 06-S | 2    | Spark Plug                                |
| ⓶   | 24 518 12-S | 1    | Lead-Black                                |
| ⓷   | 24 176 72-S | 1    | Harness-Wiring                            |

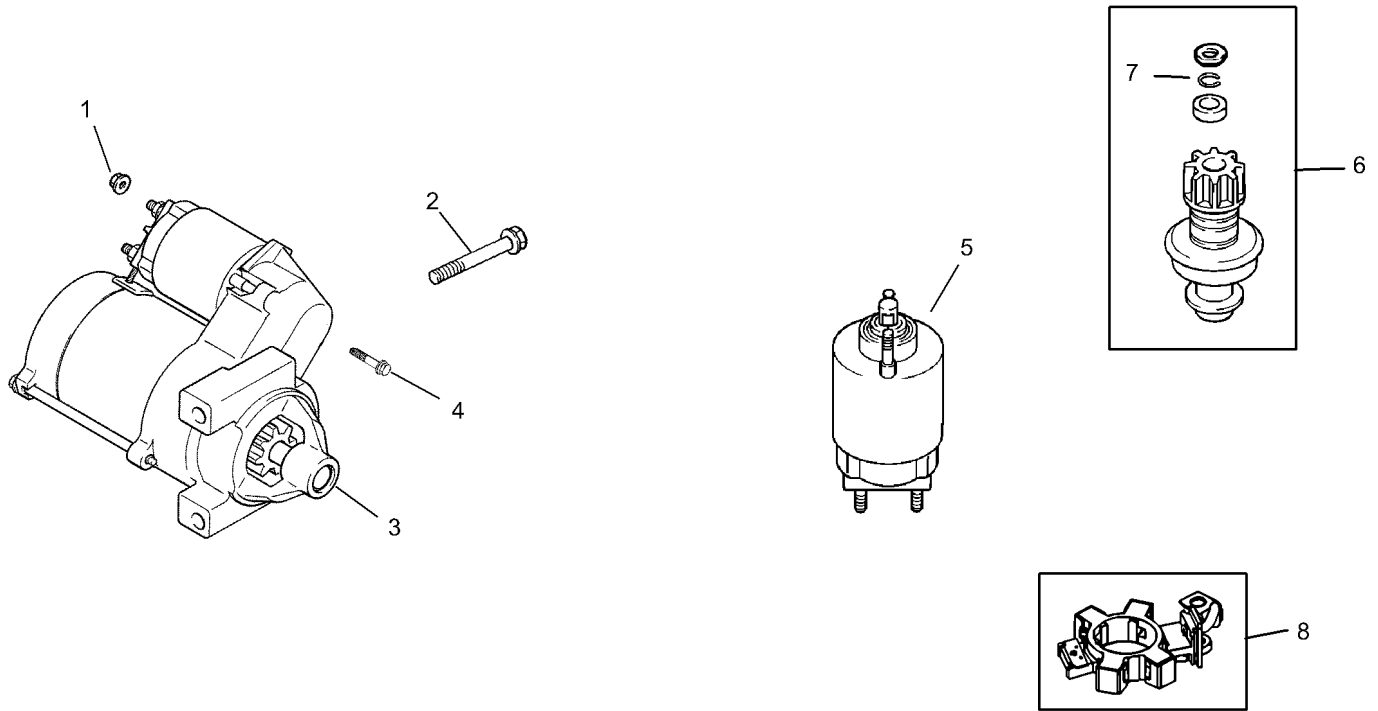
| Ref | Part No.    | Qty. | Description                       |
|-----|-------------|------|-----------------------------------|
| ⓸   | X-22-11-S   | 1    | Washer-Lock, Internal Tooth (1/4) |
| ⓹   | 25 454 03-S | 2    | Tie-Wire                          |



## Blower Housing and Baffle Assembly Kohler CH20S-64647

| Ref | Part No.     | Qty. | Description                          |
|-----|--------------|------|--------------------------------------|
| ❶   | 24 027 175-S | 1    | Housing, Blower (Incl. Ref. #2-4)    |
| ❷   | 24 100 02-S  | 2    | Nut-Plastic                          |
| ❸   | 25 139 16-S  | 1    | Plug-Button (.56)                    |
| ❹   | 24 100 01-S  | 3    | Nut-Plastic                          |
| ❺   | M-551016-S   | 1    | Screw-Hex Flange, Heavy (M5X0.8X16)  |
| ❻   | M-545016-S   | 3    | Screw-HHFTF (M5X0.8X16)              |
| ❼   | M-545020-S   | 4    | Screw-HHFTF (M5X0.8X20)              |
| ❽   | 24 146 16-S  | 1    | Plate-Backing, No. 2 Side            |
| ❾   | M-645016-S   | 6    | Screw-HHFTF (M6X1.0X16)              |
| ❿   | 24 063 20-S  | 1    | Baffle-Cylinder Barrel, No. 2 Side   |
| ⓫   | 24 063 17-S  | 1    | Baffle-Valley (No. 2 Side)           |
| ⓬   | M-545010-S   | 2    | Screw-HHFTF (M5X0.8X10)              |
| ⓭   | 24 063 59-S  | 1    | Baffle-Valley (No. 1 Side)           |
| ⓮   | 24 063 58-S  | 1    | Baffle-Barrel, Cylinder (No. 1 Side) |
| ⓯   | 24 146 20-S  | 1    | Plate-Backing (No. 1 Side)           |
| ⓰   | M-639010-S   | 4    | Screw-HF                             |
| ⓱   | 24 063 13-S  | 1    | Baffle-Ducted Air, #1 Side           |
| ⓲   | 24 126 04-S  | 2    | Bracket-Support                      |
| ⓳   | 24 063 12-S  | 1    | Baffle-Ducted Air, #1 Side           |
| ⓴   | 24 113 12-S  | 1    | Decal                                |

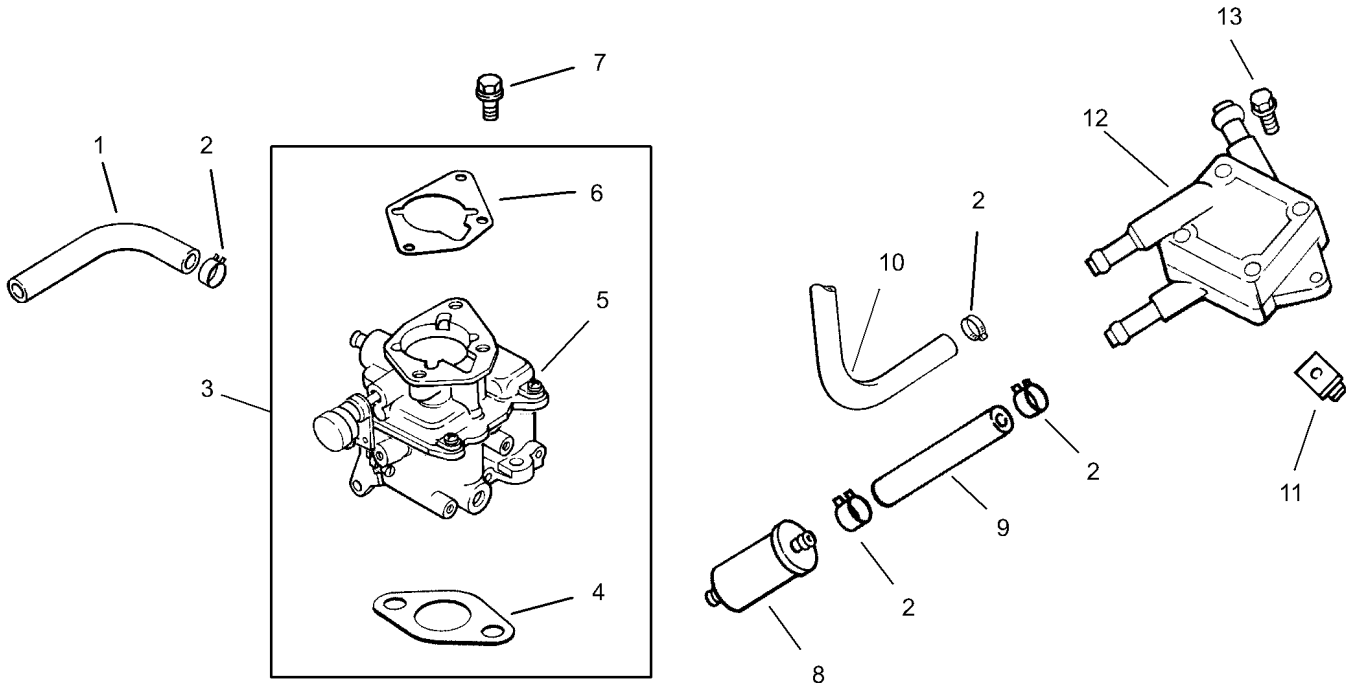




## Starting System Kohler CH20S-64647

| Ref | Part No.     | Qty. | Description                                    |
|-----|--------------|------|--|
| ❶   | M-841080-S   | 1    | Nut-Hex, Flange (M8X1.25)                      |
| ❷   | M-839080-S   | 2    | Screw-Hex, Flange (M8X1.25X70)                 |
| ❸   | 24 098 09-S  | 1    | Starter, Solenoid Shift ASM (Incl. Ref. #4-18) |
| ❹   | 25 086 113-S | 3    | Screw-Torx Head, External                      |
| ❺   | 25 435 05-S  | 4    | Kit, Solenoid (Incl. Ref. #4)                  |
| ❻   | 25 755 33-S  | 7    | Kit, Pinion Drive (Incl. Ref. #7)              |
| ❼   | 25 141 05-S  | 1    | Ring-Retaining                                 |
| ❽   | 25 221 01-S  | 1    | Brush Kit                                      |

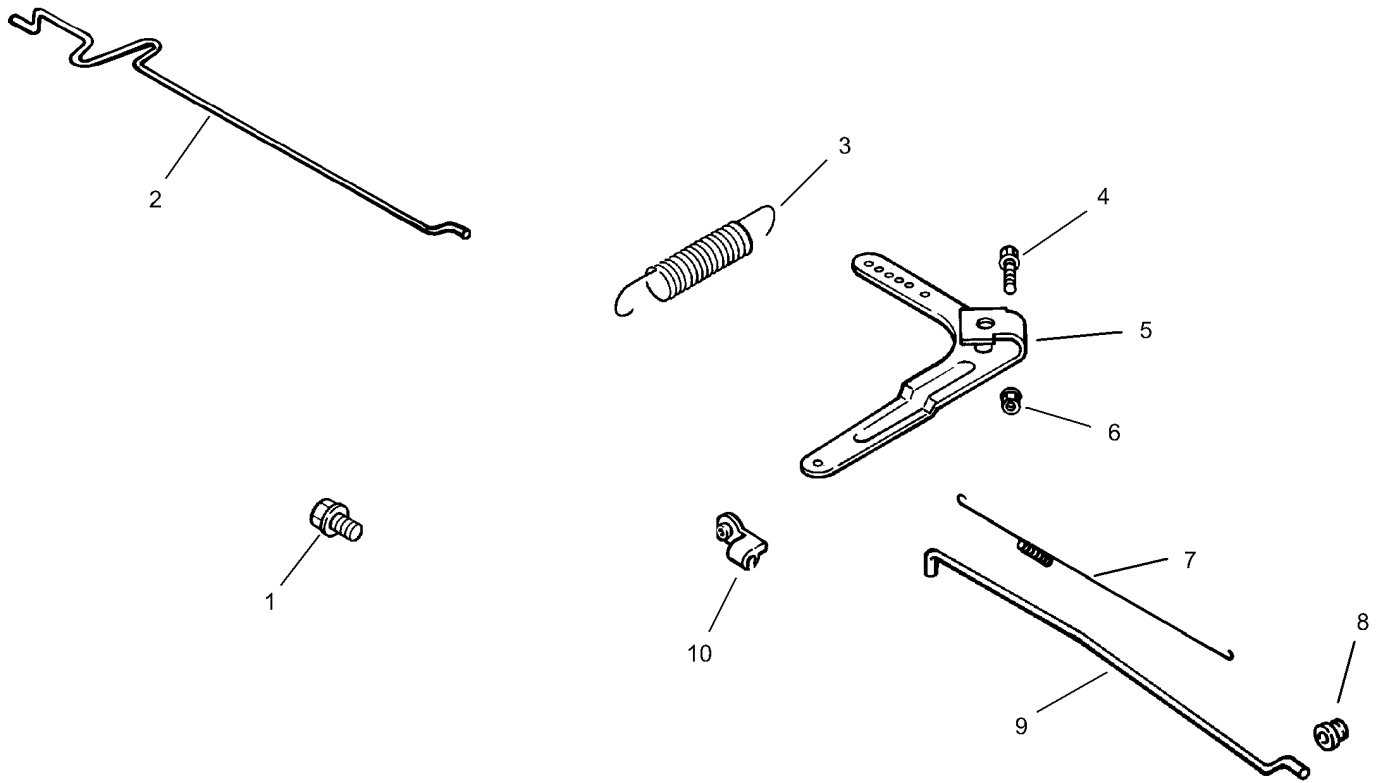
|  |  |  |  |
|--|--|--|--|
|  |  |  |  |
|--|--|--|--|



## Fuel System Assembly Kohler CH20S-64647

| Ref | Part No.     | Qty. | Description   |
|-----|--------------|------|---|
| ❶   | 25 353 32-S  | 1    | Line-Fuel   |
| ❷   | 25 237 14-S  | 6    | Clamp-Hose  |
| ❸   | 24 853 33-S  | 1    | Kit, Carburetor W/Gasket (Incl. Ref. #4-6)  |
| ❹   | 24 041 06-S  | 1    | Gasket-Base, Air Cleaner  |
| ❺   |              | 1    | Carburetor Assembly (Incl. Ref. #24 75701-S, 24 757 02-S, 24 757 03-S, 24 757 07-S, 24 757 08-S & 24 757 09-S)2405333 (For Information Only Not Available Separately) |
| ❻   | 24 041 17-S  | 1    | Gasket-Carburetor   |
| ❼   | M-651030-S   | 2    | Screw-Hex Flange (M6X1.0X30)  |
| ❽   | 24 050 02-S  | 1    | Filter-Fuel   |
| ❾   | 25 353 15-S  | 1    | Line-Fuel, 3-1/2"   |
| ❿   | 24 353 02-S  | 1    | Line-Fuel (15.5)  |
| ⓫   | 24 100 01-S  | 2    | Nut-Plastic   |
| ⓬   | 24 393 16-S  | 1    | Pump-Pulse, Fuel  |
| ⓭   | 24 086 12-S  | 2    | Screw-Hex Cap (M6X1.7X18)   |
| ⓯   | 24 755 125-S | 1    | High Altitude Kit   |
| ⓱   | 24 757 01-S  | 1    | Solenoid Repair Kit   |
| ⓲   | 24 757 02-S  | 1    | Float Repair Kit  |
| ⓳   | 24 757 03-S  | 1    | Carburetor Repair Kit   |
| ⓴   | 24 757 07-S  | 1    | Choke Repair Kit  |
| ⓵   | 24 757 08-S  | 1    | Acc Pump Repair Kit   |

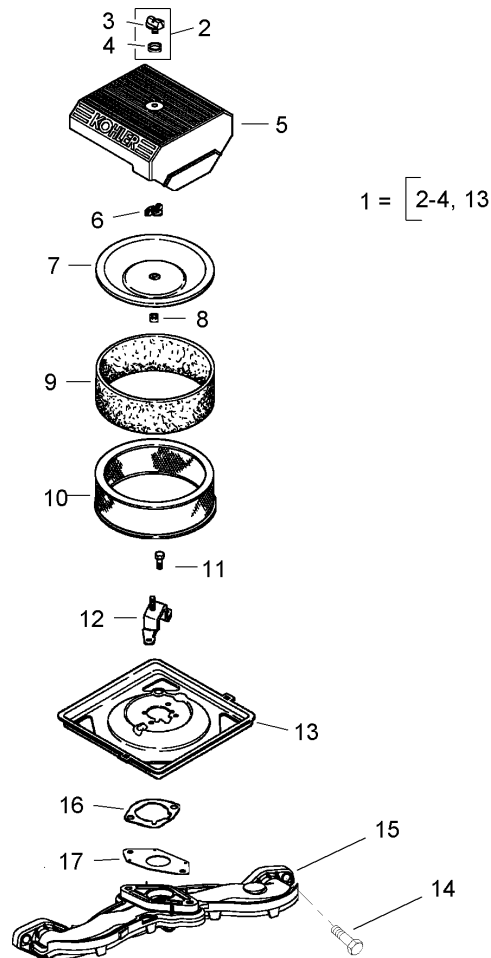
| Ref | Part No.    | Qty. | Description              |
|-----|-------------|------|--------------------------|
| ⓯   | 24 757 09-S | 1    | Acc Pump Seal Repair Kit |



## Engine Control Kohler CH20S-64647

| Ref | Part No.    | Qty. | Description                    |
|-----|-------------|------|--------------------------------|
| 1   | M-645016-S  | 4    | Screw-HHFTF (M6X1.0X16)        |
| 2   | 24 079 21-S | 1    | Linkage-Choke                  |
| 3   | 24 089 15-S | 1    | Spring-Governor                |
| 4   | 24 211 03-S | 1    | Bolt-Rd HD Sq Neck (M6X1.0X25) |
| 5   | 24 090 33-S | 1    | Lever-Governor                 |
| 6   | M-641060-S  | 1    | Nut-Hex, Flange (M6X1.0)       |
| 7   | 24 089 01-S | 1    | Spring-Linkage                 |
| 8   | 25 158 08-S | 1    | Bushing-Retaining, Linkage     |
| 9   | 24 079 01-S | 1    | Linkage-Throttle               |
| 10  | 25 158 11-S | 1    | Bushing-Linkage, Throttle      |
| 11  | 25 454 03-S | 1    | Tie-Wire                       |

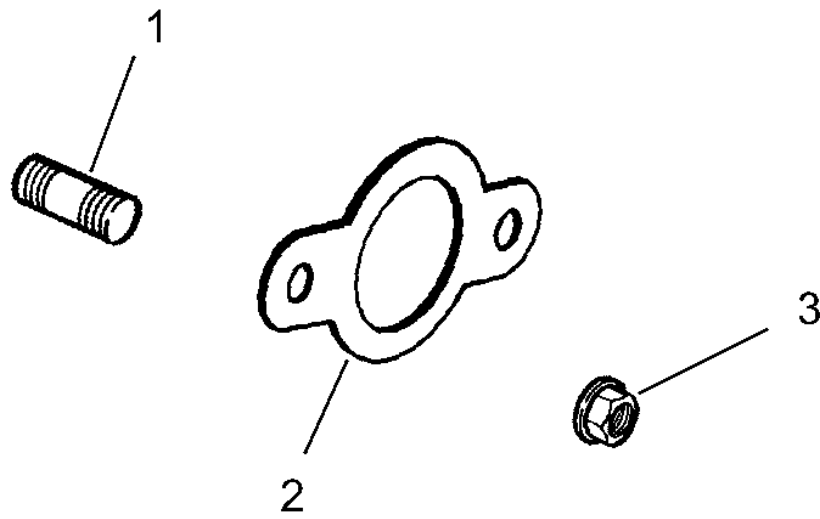
|  |  |  |  |
|--|--|--|--|
|  |  |  |  |
|  |  |  |  |
|  |  |  |  |
|  |  |  |  |



## Air Intake / Filtration Assembly Kohler CH20S-64647

| Ref | Part No.    | Qty. | Description                                  |
|-----|-------------|------|--|
| 1   | 24 743 05-S | 1    | Kit, Air Cleaner Cover (Incl. Ref. #2-5, 12) |
| 2   | 54 755 01-S | 1    | Kit, Knob With Seal (Incl. Ref. #3, 4)       |
| 3   | 25 341 03-S | 1    | Knob-Cover                                   |
| 4   | 24 153 20-S | 1    | Seal   |
| 5   | 24 096 67-S | 1    | Cover-Cleaner, Air                           |
| 6   | 12 100 01-S | 1    | Nut-Wing                                     |
| 7   | 24 096 01-S | 1    | Cover-Air Cleaner, Inner                     |
| 8   | 24 032 03-S | 1    | Seal-Inner Air Cleaner                       |
| 9   | 24 083 02-S | 1    | Element, Precleaner                          |
| 10  | 47 083 03-S | 1    | Element, Air Cleaner                         |
| 11  | M-639016-S  | 3    | Screw-HF (M6X1.0X16)                         |
| 12  | 24 126 21-S | 1    | Bracket-Base, Air Cleaner                    |
| 13  | 24 094 24-S | 1    | Base, Air Cleaner                            |
| 14  | 25 086 84-S | 4    | Screw-HF (M6X1.0X55)                         |
| 15  | 24 164 14-S | 1    | Manifold-Intake                              |
| 16  | 24 041 01-S | 2    | Gasket-Manifold, Intake                      |
| 17  | 24 041 06-S | 1    | Gasket-Base, Air Cleaner                     |

|  |  |  |  |
|--|--|--|--|
|  |  |  |  |
|--|--|--|--|



## Exhaust Assembly Kohler CH20S-64647

| Ref | Part No.     | Qty. | Description               |
|-----|--------------|------|---------------------------|
| ①   | 25 072 04-S  | 4    | Stud (M8X1.25X33)         |
| ②   | 24 041 49-S  | 2    | Gasket-Manifold, Exhaust  |
| ③   | M-841080-S   | 4    | Nut-Hex, Flange (M8X1.25) |
| ①②  | 24522295     | 1    | Short Block ASM           |
| ①②  | 2478215      | 1    | Miniblock                 |
| ①②  | 24 755 107-S | 1    | Gasket Set                |

# Attachments and Accessories

## For 41177 - Multi-Pro 1250 Turf Sprayer

| Product Name                              | Model/Part |
|---|------------|
| Rinse Kit .....                           | 106-4842   |
| Sprayer Valves O-Ring Kit .....           | 106-4846   |
| Turret Seal Repair Kit .....              | 108-3263   |
| Single Nozzle Kit .....                   | 41024      |
| Electric Hose Reel Kit .....              | 41135      |
| Pro Foam Concentrate (4 X 1 Gallon) ..... | 41157      |
| Foam Marker Kit .....                     | 41228      |
| Enclosed Boom .....                       | 41355      |
| Enclosed Walking Boom Trailer .....       | 41359      |
| Mounting Kit for Enclosed Boom .....      | 41360      |
| Roll-Over Protection System .....         | 41361      |
| Pro-Foam .....                            | 41607      |

# NOTES

