



## Reelmaster<sup>®</sup> 6500-D 2 Wheel Drive

Model No. 03806 - 250000001 and up.

### Parts Catalog

---

#### **Ordering Replacement Parts**

To order replacement parts, please supply the part number, the quantity, and the description of each part desired.

#### **Understanding Reference Numbers**

Each identified part in an illustration has a reference number. The reference number for a part also appears in the parts list, along with other information about the part.

This catalog uses two special reference number formats, one to indicate parts in a service assembly and another to indicate the quantity of a given part in an illustration.

#### **Service Assembly Reference Numbers**

Parts in service assemblies have reference numbers in the form a:b. The a represents the reference number of the entire service assembly and the b represents a sequential number unique to each part within the service assembly.

For example, a wheel assembly might be identified by reference number 6, the tire by 6:1, the valve by 6:2, and the wheel by 6:3. When you order the assembly identified by reference number 6, you receive all parts identified by reference numbers 6:1, 6:2, and 6:3. However, you may also order any part individually. Reference numbers of this type appear in illustrations and in part lists.

#### **Reference Numbers Indicating Quantity**

In an illustration, if a reference number indicates more than one part, the reference number has the form nX y. The n represents the quantity of the part, the X is the multiplication symbol, and the y represents the reference number.

For example, in an illustration, the reference number 2X 37 means that two of the parts identified by reference number 37 are indicated.

# Contents

| <b>Description</b>  | <b>Page</b> | <b>Description</b>                               | <b>Page</b> |
|---|-------------|--|-------------|
| Frame and Body Assembly   | ..... 4     | Lift Block Assembly No. 104-9335                 | ..... 48    |
| Front Frame Decal Assembly No. 108-4407                             | ..... 5     | Front No. 1 Lift Arm Assembly                    | ..... 49    |
| Tool Box Assembly   | ..... 6     | Hydraulic Cylinder Assembly No. 93-2650          | ..... 50    |
| Control Console Assembly  | ..... 7     | Front No. 4 and No. 5 Lift Arm Assembly          | ..... 51    |
| Control Console and Battery Assembly                                | ..... 8     | Hydraulic Cylinder Assembly No. 99-6986          | ..... 53    |
| Hydraulic Filter and Reservoir Assembly                             | ..... 10    | Rear No. 2 and No. 3 Lift Arm Assembly           | ..... 54    |
| Fuel Tank Assembly  | ..... 11    | Hydraulic Cylinder Assembly No. 99-2550          | ..... 56    |
| Traction Pedal Assembly   | ..... 12    | Reel Motor Assembly                              | ..... 57    |
| Brake Pedal Assembly  | ..... 13    | Hydraulic Motor Assembly No. 108-1447            | ..... 58    |
| Seat Assembly   | ..... 14    | Rear No. 2 and No. 3 Tipper Support Assembly     | ..... 59    |
| Seat Suspension Assembly No. 76-1970                                | ..... 15    | Crankcase Assembly                               | ..... 60    |
| Suspension Assembly No. 106-8085                                    | ..... 16    | Oil Pan Assembly                                 | ..... 61    |
| Seat Frame and Throttle Assembly                                    | ..... 17    | Cylinder Head Assembly                           | ..... 62    |
| Steering Wheel Assembly   | ..... 18    | Gear Case Assembly                               | ..... 63    |
| Steering Control Assembly No. 114-5073                              | ..... 19    | Head Cover Assembly                              | ..... 64    |
| Steering Tower Assembly   | ..... 20    | Dipstick and Guide Assembly                      | ..... 65    |
| Front Hydraulic Drive Assembly                                      | ..... 21    | Main Bearing Case Assembly                       | ..... 66    |
| Front Axle and Brake Assembly                                       | ..... 22    | Camshaft and Idle Gear Shaft Assembly            | ..... 67    |
| Planetary Assembly No. 105-4500-03                                  | ..... 23    | Piston and Crankshaft Assembly                   | ..... 68    |
| Brake Assembly No. 100-3070-03                                      | ..... 24    | Flywheel Assembly                                | ..... 69    |
| Hydraulic Motor Assembly No. 92-7385                                | ..... 25    | Fuel Camshaft and Governor Shaft Assembly        | ..... 70    |
| Brake Assembly No. 100-3069-03                                      | ..... 26    | Idle Apparatus, Stop Solenoid and Cover Assembly | ..... 71    |
| Hydraulic Motor Assembly No. 93-7476                                | ..... 27    | Injection Pump Assembly                          | ..... 72    |
| Hydraulic Pump Installation   | ..... 28    | Speed Control Plate Assembly                     | ..... 73    |
| Gear Pump Assembly No. 105-3317                                     | ..... 29    | Nozzle Holder and Glow Plug Assembly             | ..... 74    |
| Piston Pump Assembly No. 110-0006                                   | ..... 30    | Nozzle Holder Component Assembly                 | ..... 75    |
| Control Assembly No. 108-1503                                       | ..... 31    | Fork Lever (Governor) Assembly                   | ..... 76    |
| Radiator Support and Shroud Assembly                                | ..... 32    | Alternator and Pulley Assembly                   | ..... 77    |
| Radiator and Screen Assembly  | ..... 33    | Alternator Component Assembly                    | ..... 78    |
| Engine Installation Assembly  | ..... 34    | Starter Assembly                                 | ..... 79    |
| Hydraulic Filter, Filter Pump, Fuel Filter and Air Cleaner Assembly | ..... 36    | Water Flange and Thermostat Assembly             | ..... 80    |
| Air Filter Assembly No. 100-2597                                    | ..... 38    | Water Pump Assembly                              | ..... 81    |
| Water / Fuel Filter Assembly No. 98-9305                            | ..... 39    | Reserve Tank Assembly                            | ..... 82    |
| Rear Hydraulic Assembly   | ..... 40    | Valve and Rocker Arm Assembly                    | ..... 83    |
| 2 Wheel Drive Axle Assembly   | ..... 41    | Inlet / Exhaust Manifold Assembly                | ..... 84    |
| Hydraulic Cylinder Assembly No. 94-8142                             | ..... 42    | Turbo Charger Assembly                           | ..... 85    |
| Wheel and Spindle Assembly  | ..... 43    | Oil Pipe (Turbo Charger) Assembly                | ..... 86    |
| Rear Hydraulic Control Block Assembly                               | ..... 44    | Oil Cooler Assembly                              | ..... 87    |
| Mow Block Assembly No. 99-6978                                      | ..... 46    | Miscellaneous Engine Parts                       | ..... 88    |
| Front Hydraulic Control Block and Hose Assembly                     | ..... 47    | Attachments and Accessories List                 | ..... 89    |

## Part Description Abbreviations

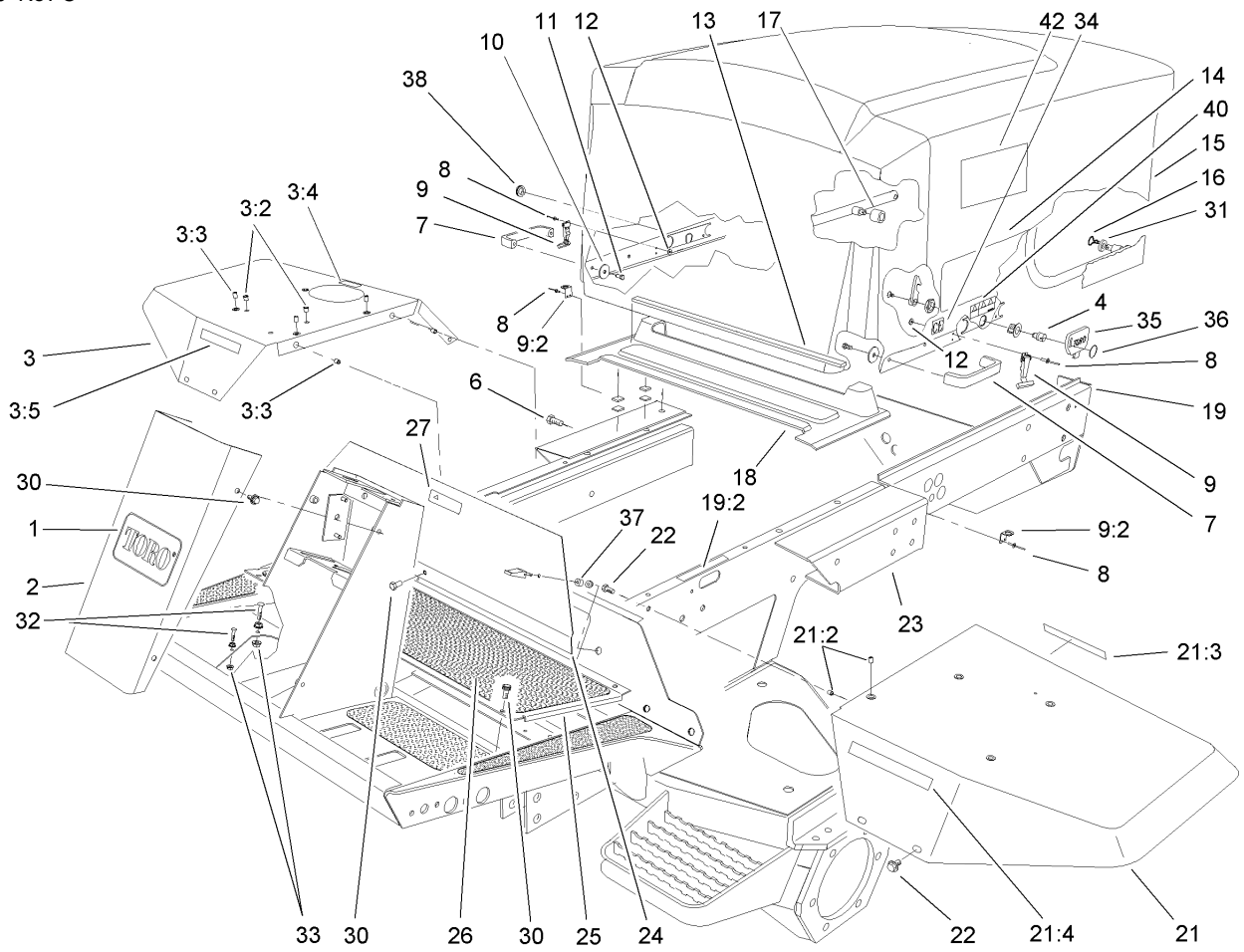
Part descriptions in this catalog may include the following abbreviations.

|             |                                |             |                                  |
|-------------|--------------------------------|-------------|----------------------------------|
| AR. ....    | as required                    | HYD. ....   | hydraulic                        |
| ASM. ....   | assembly                       | LH. ....    | left hand                        |
| BBC. ....   | blade brake clutch             | NI. ....    | nylon insert                     |
| CARR. ....  | carriage                       | NPTF. ....  | national pipe thread fine        |
| DEG. ....   | degrees                        | PFH. ....   | phillips flat head               |
| EXT. ....   | external                       | PPH. ....   | phillips pan head                |
| FH. ....    | flat head                      | PPHTF. .... | phillips pan head thread forming |
| GA. ....    | gauge                          | PRH. ....   | phillips round head              |
| HD. ....    | heavy-duty                     | PTH. ....   | phillips truss head              |
| HF. ....    | hex flange                     | PTO. ....   | power-take-off                   |
| HH. ....    | hex head                       | RH. ....    | right hand                       |
| HHF. ....   | hex head flange                | ROPS. ....  | roll-over protection system      |
| HHFTF. .... | hex head flange thread forming | SFH. ....   | slotted fillister head           |
| HJ. ....    | hex jam                        | SHH. ....   | slotted hex head                 |
| HLH. ....   | hex lag head                   | SHWH. ....  | slotted hex washer head          |
| HOC. ....   | height-of-cut                  | SPH. ....   | slotted pan head                 |
| HSBH. ....  | hex socket button head         | SQH. ....   | square head                      |
| HSFH. ....  | hex socket flat head           | SRH. ....   | slotted round head               |
| HSH. ....   | hex socket head                | STD. ....   | standard                         |
| HWH. ....   | hex washer head                | TAP. ....   | self tapping                     |
| HWHTF. .... | hex washer head thread forming | TTH. ....   | torx truss head                  |

## Footnotes

❶ Not illustrated

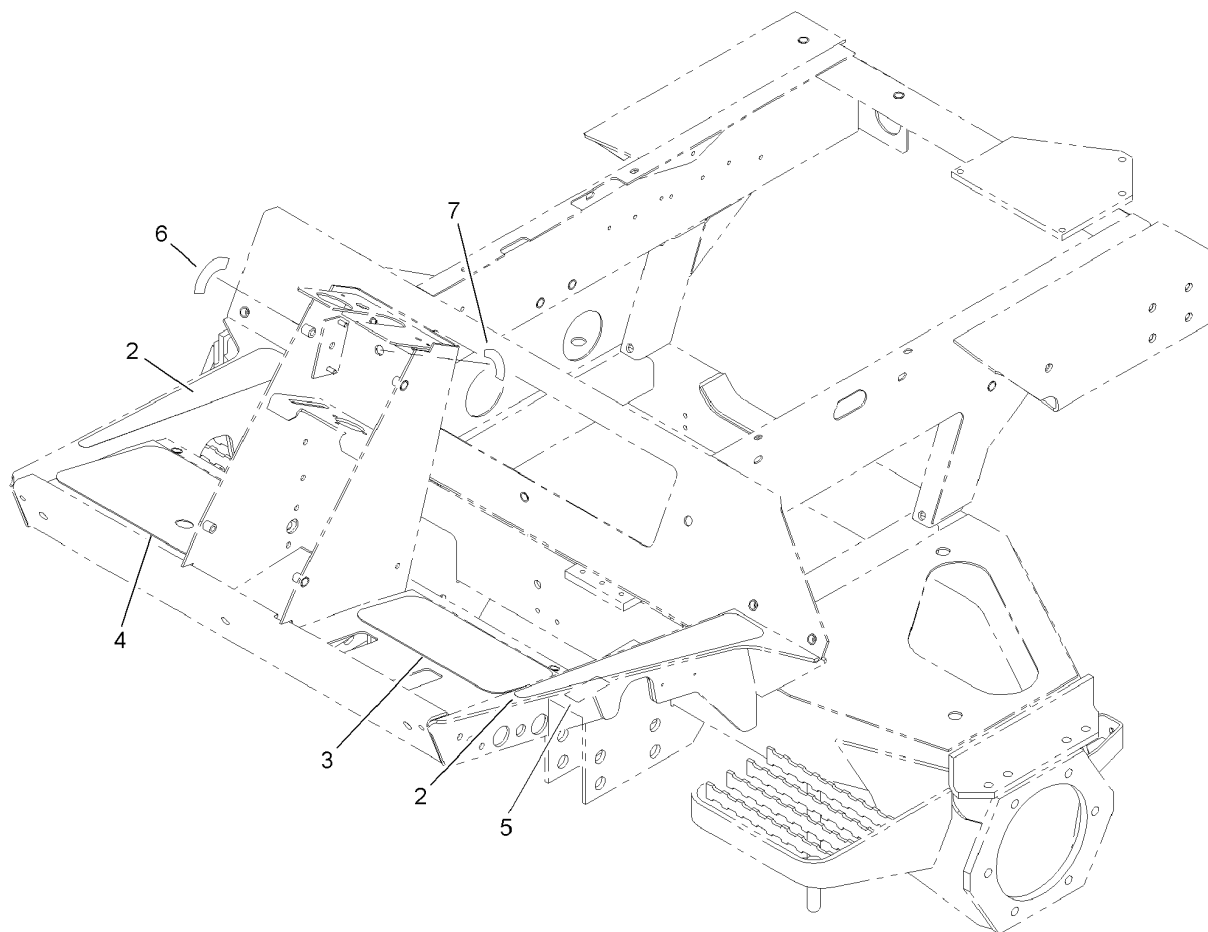
❷ Not serviced separately



## Frame and Body Assembly

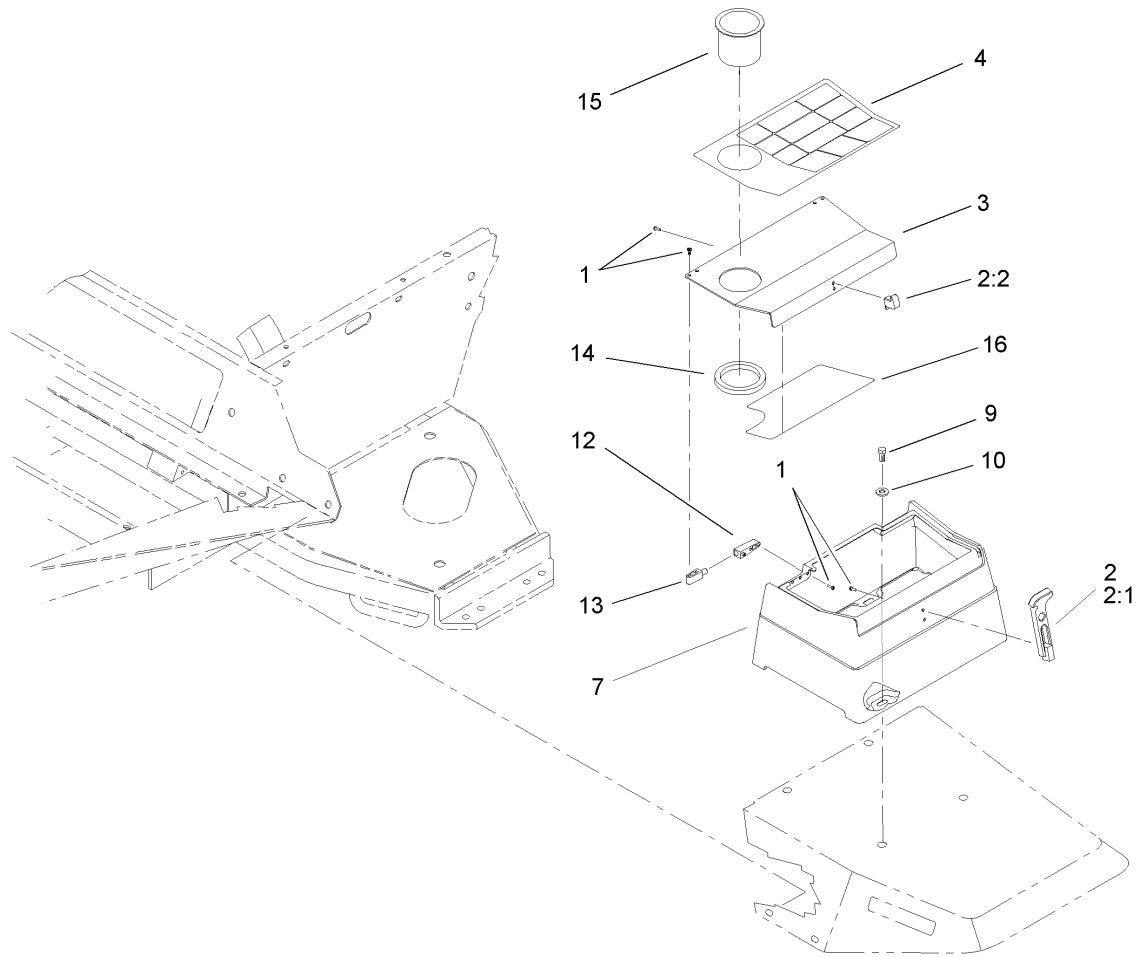
| Ref  | Part No.   | Qty. | Description         |
|------|------------|------|---------------------|
| 1    | 62-5550    | 1    | Decal               |
| 2    | 93-7996-01 | 1    | Cover-Tower         |
| 3    | 106-5950   | 1    | RH Fender ASM       |
| 3:2  | 32148-6    | 2    | Insert-Nut          |
| 3:3  | 32148-7    | 5    | Nut-Insert          |
| 3:4  | 93-6686    | 1    | Decal-Oil, HYD      |
| 3:5  | 93-6689    | 1    | Decal-No Riders     |
| 4    | 105-3301   | 1    | Latch ASM           |
| 6    | 3234-38    | 12   | Screw-HHF           |
| 7    | 65-5100    | 2    | Handle-Door         |
| 8    | 3269-8     | 8    | Rivet-Blind         |
| 9    | 59-9740    | 2    | Flex Draw Latch ASM |
| 9:2  | 249-40     | 1    | Keeper              |
| 10   | 3256-78    | 4    | Washer-Flat         |
| 11   | 46-8091    | 4    | Screw-HWH           |
| 12   | 3269-10    | 4    | Washer-Back         |
| 13   | 92-7633    | 1    | Bumper-Hood         |
| 14   | 106-7064   | 2    | Decal               |
| 15   | 105-0130   | 1    | Hood                |
| 16   | 3290-467   | 2    | Pin-Hair            |
| 17   | 93-7582    | 1    | Hose                |
| 18   | 94-2617    | 1    | Pump Cover ASM      |
| 19   | 108-4405   | 1    | Rear Frame ASM      |
| 19:2 | 93-1265    | 1    | Decal-Surface, Hot  |

| Ref  | Part No.   | Qty. | Description         |
|------|------------|------|---------------------|
| 21   | 106-5951   | 1    | LH Fender ASM       |
| 21:2 | 32148-7    | 6    | Nut-Insert          |
| 21:3 | 93-6680    | 1    | Decal-Diesel        |
| 21:4 | 93-6689    | 1    | Decal-No Riders     |
| 22   | 3234-14    | 10   | Screw-HHF           |
| 23   | 108-4407   | 1    | Front Frame ASM     |
| 24   | 75-1390-01 | 1    | Cover-Access, Front |
| 25   | 75-1410-01 | 1    | Plate-Access, Floor |
| 26   | 75-0630    | 1    | Tread-Foot, Center  |
| 27   | 93-9425    | 1    | Decal-Danger        |
| 30   | 3234-7     | 9    | Screw-HHF           |
| 31   | 66-6480    | 2    | Washer              |
| 32   | 17-9420    | 2    | Screw-Handle        |
| 33   | 32128-20   | 4    | Nut-HF              |
| 34   | 93-7252    | 1    | Decal               |
| 35   | 99-8970    | 1    | Key-Latch, Hood     |
| 36   | 98-9321    | 1    | Ring-Key            |
| 37   | 74-5950    | 2    | Latch-Swell         |
| 38   | 104-1453   | 1    | Grommet             |
| 40   | 106-6754   | 1    | Decal-Danger        |
| 42   | 66-6140    | 2    | Decal               |



### Front Frame Decal Assembly No. 108-4407

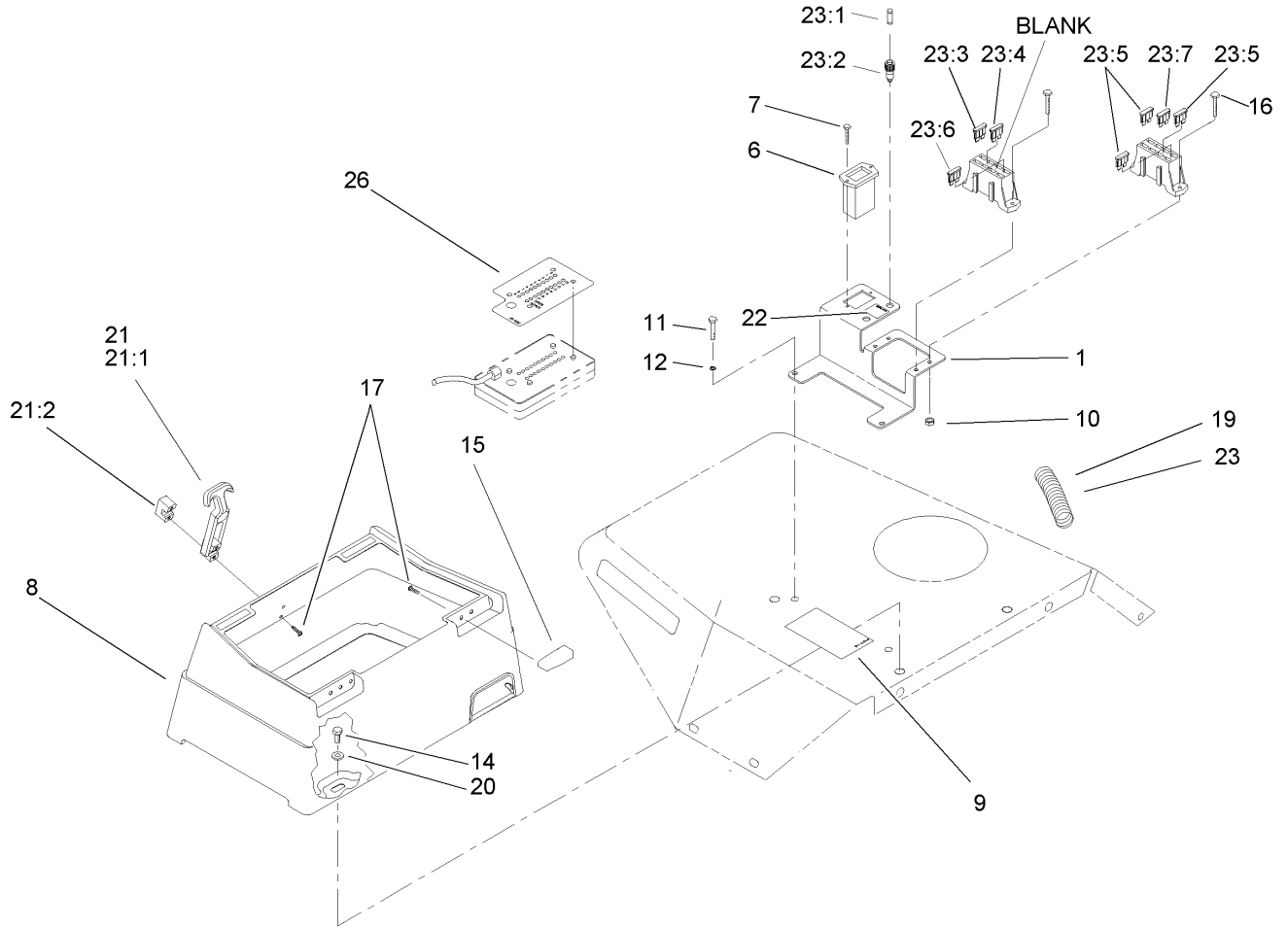
| Ref | Part No. | Qty. | Description        |
|-----|----------|------|--------------------|
| 2   | 93-7592  | 2    | Tread-Rest, Foot   |
| 3   | 75-0620  | 1    | Tread-Foot, LH     |
| 4   | 104-5223 | 1    | Tread-Foot, RH     |
| 5   | 93-6693  | 1    | Decal-Plate, Floor |
| 6   | 93-6699  | 1    | Decal-Fast / Slow  |
| 7   | 105-7506 | 1    | Decal-Switch, Key  |
|     |          |      |                    |
|     |          |      |                    |
|     |          |      |                    |
|     |          |      |                    |
|     |          |      |                    |
|     |          |      |                    |
|     |          |      |                    |



### Tool Box Assembly

| Ref | Part No.    | Qty. | Description            |
|-----|-------------|------|------------------------|
| 1   | 32144-1     | 12   | Screw-Taptite          |
| 2   | 94-5626     | 1    | Latch-Draw, Flexible   |
| 2:1 | 100-5806    | 1    | Handle-Latch           |
| 2:2 | 100-5807    | 1    | Keeper-Latch           |
| 3   | 104-1489-03 | 1    | Cover-Toolbox          |
| 4   | 104-9294    | 1    | Decal-Warning          |
| 4   | 104-9295    | 1    | Decal-Warning, Ce      |
| 7   | 104-0026    | 1    | Toolbox                |
| 9   | 322-4       | 4    | Screw-HH               |
| 10  | 3256-3      | 4    | Washer-Flat            |
| 12  | 104-1496    | 2    | Hinge-Pin              |
| 13  | 104-1497    | 2    | Hinge-Receiver         |
| 14  | 104-1476    | 1    | Ring-Rubber            |
| 15  | 94-1410     | 1    | Holder-Can, Beverage   |
| 16  | 108-6708    | 1    | Decal-Reference, Quick |

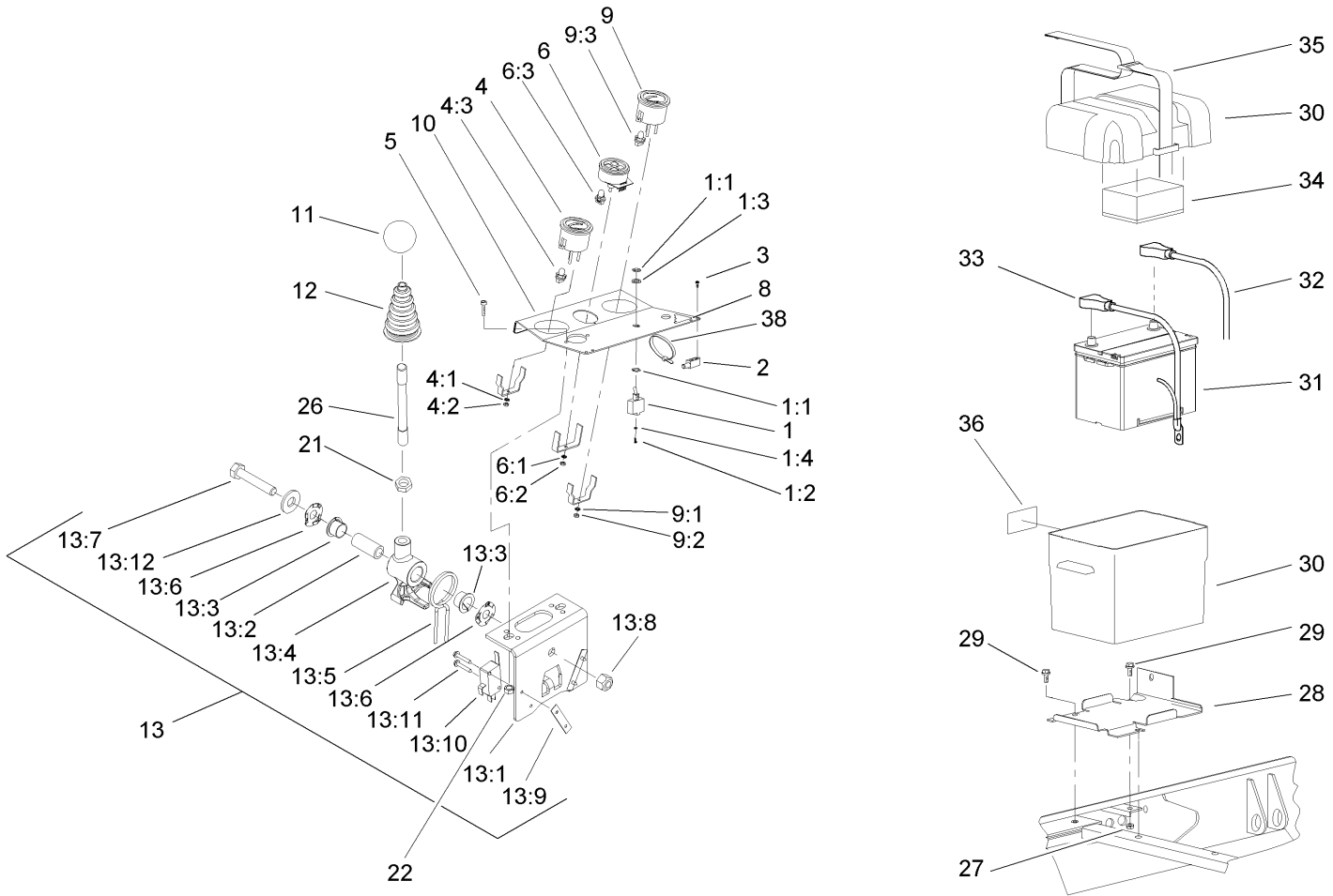
| Ref | Part No. | Qty. | Description |
|-----|----------|------|-------------|
|     |          |      |             |
|     |          |      |             |
|     |          |      |             |
|     |          |      |             |



## Control Console Assembly

| Ref  | Part No.    | Qty. | Description                     |
|------|-------------|------|---------------------------------|
| 1    | 105-0137-03 | 1    | Bracket-Block, Fuse             |
| 6    | 75-6820     | 1    | Hourmeter                       |
| 7    | 32144-18    | 2    | Screw-HH                        |
| 8    | 104-0027    | 1    | Box-Control                     |
| 9    | 104-5229    | 1    | Decal-Fuses, Ce                 |
| 10   | 3296-2      | 4    | Nut-Lock                        |
| 11   | 321-4       | 2    | Screw-HH                        |
| 12   | 3253-3      | 2    | Washer-Lock                     |
| 14   | 322-4       | 3    | Screw-HH                        |
| 15   | 104-1497    | 2    | Hinge-Receiver                  |
| 16   | 32105-13    | 4    | Screw-HWH                       |
| 17   | 32144-1     | 6    | Screw-Taptite                   |
| 19   | 94-6343     | 1    | Decal-Identification, Wire      |
| 20   | 3256-3      | 3    | Washer-Flat                     |
| 21   | 94-5626     | 1    | Latch-Draw, Flexible            |
| 21:1 | 100-5806    | 1    | Handle-Latch                    |
| 21:2 | 100-5807    | 1    | Keeper-Latch                    |
| 22   | 104-9298    | 1    | Decal-Controller                |
| 23   | 105-0119    | 1    | Harness-Wire, Console           |
| 23:1 | 219-19      | 1    | Lamp-Green                      |
| 23:2 | 85-4491     | 1    | Light-Indicator (Includes Lamp) |
| 23:3 | 94-9157     | 1    | Fuse-Blade, 4 Amp               |
| 23:4 | 114241      | 1    | Fuse-7.5 Amp                    |
| 23:5 | 218-578     | 3    | Fuse-10 Amp                     |

| Ref  | Part No. | Qty. | Description               |
|------|----------|------|---------------------------|
| 23:6 | 109355   | 1    | Fuse-15 Amp               |
| 23:7 | 109101   | 1    | Fuse-20 Amp               |
| 26   | 105-9267 | 1    | Decal-Diagnostic, Control |

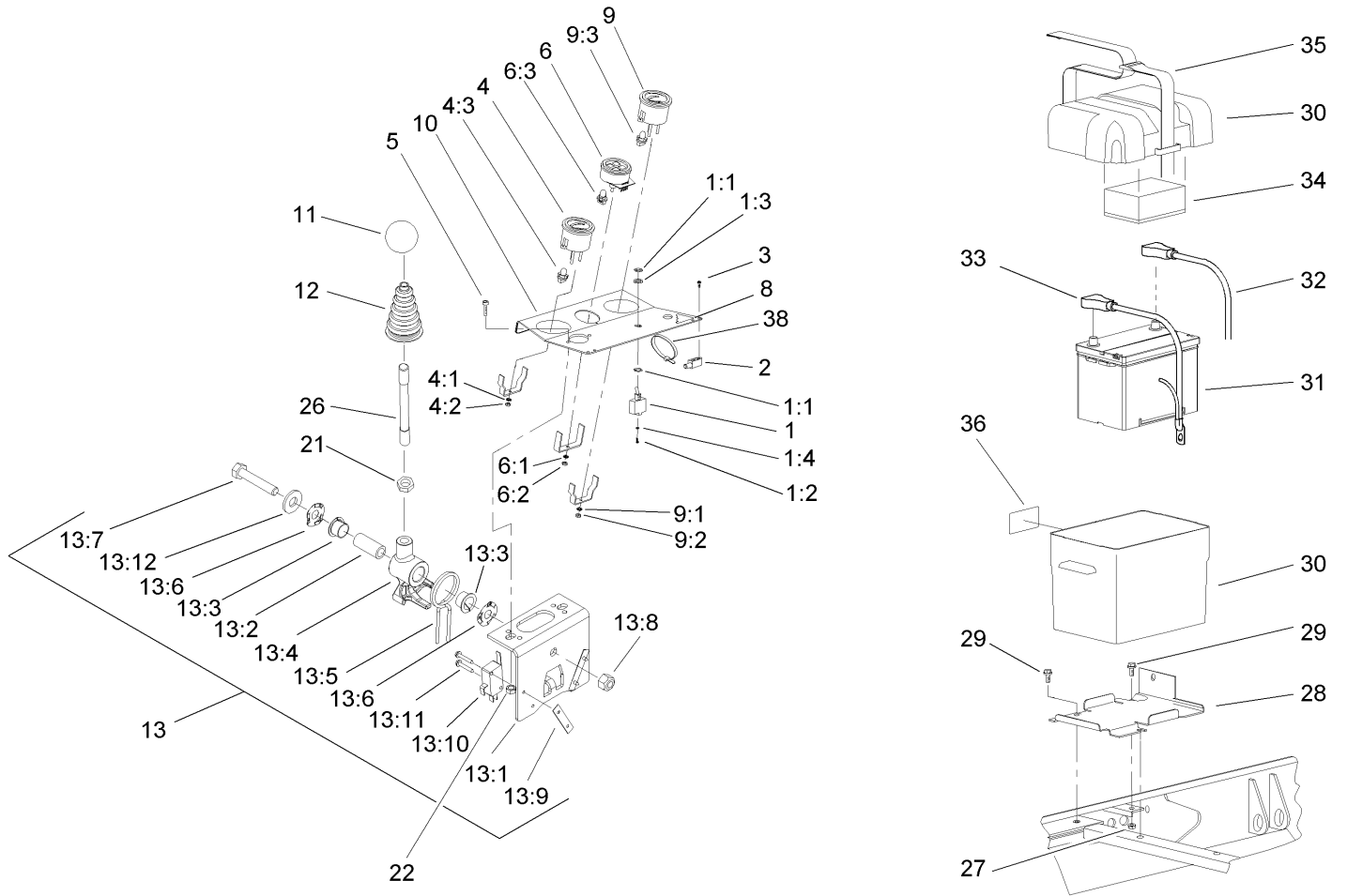


## Control Console and Battery Assembly

| Ref | Part No.    | Qty. | Description            |
|-----|-------------|------|------------------------|
| 1   | 99-8352     | 1    | Switch-Backlap, Master |
| 1:1 | 218-498     | 2    | Locknut                |
| 1:2 | 218-588     | 3    | Screw                  |
| 1:3 | 218-589     | 1    | Washer                 |
| 1:4 | 3253-19     | 3    | Washer-Lock            |
| 2   | 104-1496    | 2    | Hinge-Pin              |
| 3   | 32144-1     | 4    | Screw-Taptite          |
| 4   | 98-9339     | 1    | Gauge-Fuel             |
| 4:1 | 3254-1      | 3    | Washer-Lock, Int       |
| 4:2 | 3217-27     | 3    | Nut-Hex                |
| 4:3 | 105-9265    | 1    | Bulb And Lamp ASM      |
| 5   | 3258-166    | 2    | Screw-PRH              |
| 6   | 98-9306     | 1    | Light-Warning          |
| 6:1 | 3254-1      | 1    | Washer-Lock, Int       |
| 6:2 | 3217-27     | 1    | Nut-Hex                |
| 6:3 | 105-9264    | 4    | Bulb And Lamp ASM      |
| 8   | 104-9296    | 1    | Decal-Control          |
| 9   | 98-9308     | 1    | Gauge-Temperature      |
| 9:1 | 3254-1      | 3    | Washer-Lock, Int       |
| 9:2 | 3217-27     | 3    | Nut-Hex                |
| 9:3 | 105-9265    | 1    | Bulb And Lamp ASM      |
| 10  | 104-9251-03 | 1    | Plate-Instrument       |
| 11  | 233-42      | 1    | Knob                   |
| 12  | 93-5961     | 1    | Boot-Lever             |

| Ref   | Part No.    | Qty. | Description             |
|-------|-------------|------|-------------------------|
| 13    | 106-4167    | 1    | Joystick Bracket ASM    |
| 13:1  | 106-4168-03 | 1    | Bracket-Joystick        |
| 13:2  | 106-4192    | 1    | Spacer                  |
| 13:3  | 93-5547     | 2    | Bushing-Nylon           |
| 13:4  | 105-7507    | 1    | Hub-Pivot, Joystick     |
| 13:5  | 105-8289    | 1    | Spring-Torsion          |
| 13:6  | 106-4193    | 2    | Washer-Finger, Spring   |
| 13:7  | 322-9       | 1    | Screw-HH                |
| 13:8  | 3296-29     | 1    | Nut-Lock, NI            |
| 13:9  | 3290-354    | 2    | Nut-Speed               |
| 13:10 | 111332      | 2    | Switch                  |
| 13:11 | 95-3003     | 4    | Screw-HH                |
| 13:12 | 3256-3      | 1    | Washer-Flat             |
| 21    | 3218-3      | 1    | Nut-Jam                 |
| 22    | 32128-33    | 2    | Nut-HF                  |
| 26    | 105-7508    | 1    | Lever-Joystick          |
| 27    | 3296-29     | 1    | Nut-Lock, NI            |
| 28    | 93-7974-03  | 1    | Plate-Box, Battery      |
| 29    | 3234-5      | 3    | Screw-HHF               |
| 30    | 93-7595     | 1    | Battery Box ASM         |
| 31    | 106-5190    | 1    | Battery                 |
| 32    | 105-0114    | 1    | Cable-Battery, Positive |
| 33    | 105-0115    | 1    | Cable-Battery, Negative |
| 34    | 93-7968     | 1    | Pad-Foam                |

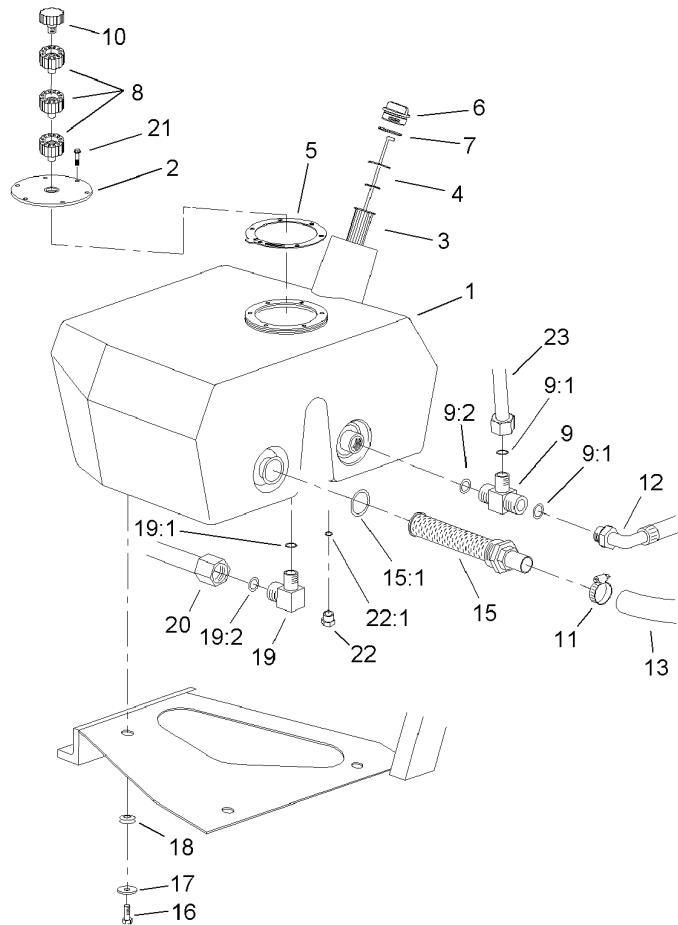




### Control Console and Battery Assembly (continued)

| Ref | Part No. | Qty. | Description   |
|-----|----------|------|---------------|
| 35  | 94-1445  | 1    | Strap-Battery |
| 36  | 93-6668  | 1    | Decal-Battery |
| 38  | 3290-378 | 2    | Tie-Cable     |

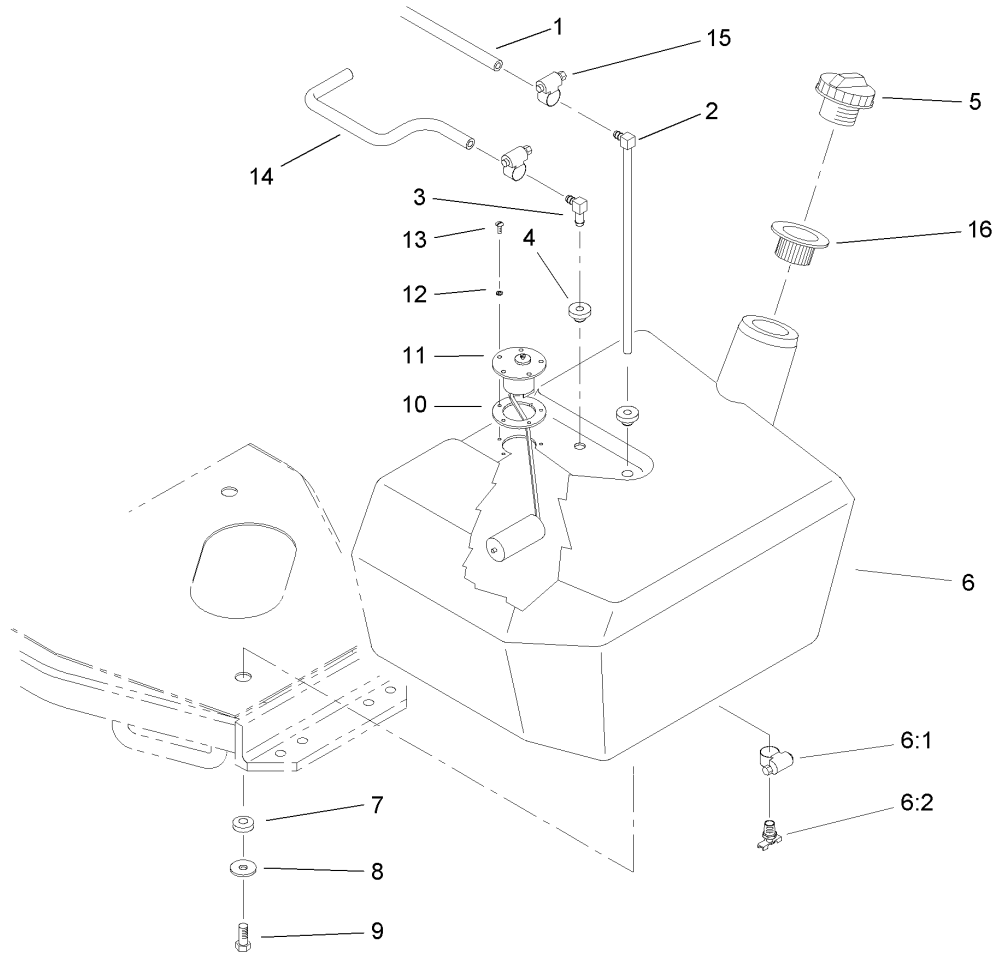
|  |  |  |  |
|--|--|--|--|
|  |  |  |  |
|  |  |  |  |
|  |  |  |  |
|  |  |  |  |
|  |  |  |  |
|  |  |  |  |
|  |  |  |  |
|  |  |  |  |



## Hydraulic Filter and Reservoir Assembly

| Ref  | Part No.  | Qty. | Description          |
|------|-----------|------|----------------------|
| 1    | 104-9254  | 1    | Tank-Oil             |
| 2    | 99-2580   | 1    | Cover-Tank           |
| 3    | 61-2790   | 1    | Filter-Screen        |
| 4    | 75-3710   | 1    | Dipstick             |
| 5    | 93-7499   | 1    | Gasket               |
| 6    | 93-7498   | 1    | Plug-Plastic         |
| 7    | 94-8166   | 1    | O-Ring               |
| 8    | 92-8020   | 3    | Adapter-Breather     |
| 9    | 104-3795  | 1    | Fitting-HYD, Tee     |
| 9:1  | 340-65    | 2    | O-Ring               |
| 9:2  | 237-146   | 1    | O-Ring               |
| 10   | 68-6150   | 1    | Breather             |
| 11   | 2412-111  | 1    | Clamp                |
| 12   | 104-3790  | 1    | Pump Return Hose ASM |
| 13   | 104-3792  | 1    | Hose-Suction         |
| 15   | 105-0131  | 1    | Strainer-Tank, Oil   |
| 15:1 | 340-136   | 1    | O-Ring               |
| 16   | 33105-025 | 3    | Screw-HHF            |
| 17   | 63-8410   | 3    | Washer               |
| 18   | 240-11    | 3    | Bushing-Flange       |
| 19   | 340-98    | 1    | Fitting-HYD, 90 DEG  |
| 19:1 | 237-79    | 1    | O-Ring               |
| 19:2 | 237-30    | 1    | O-Ring               |
| 20   | 92-7478   | 1    | RH Motor Tube ASM    |

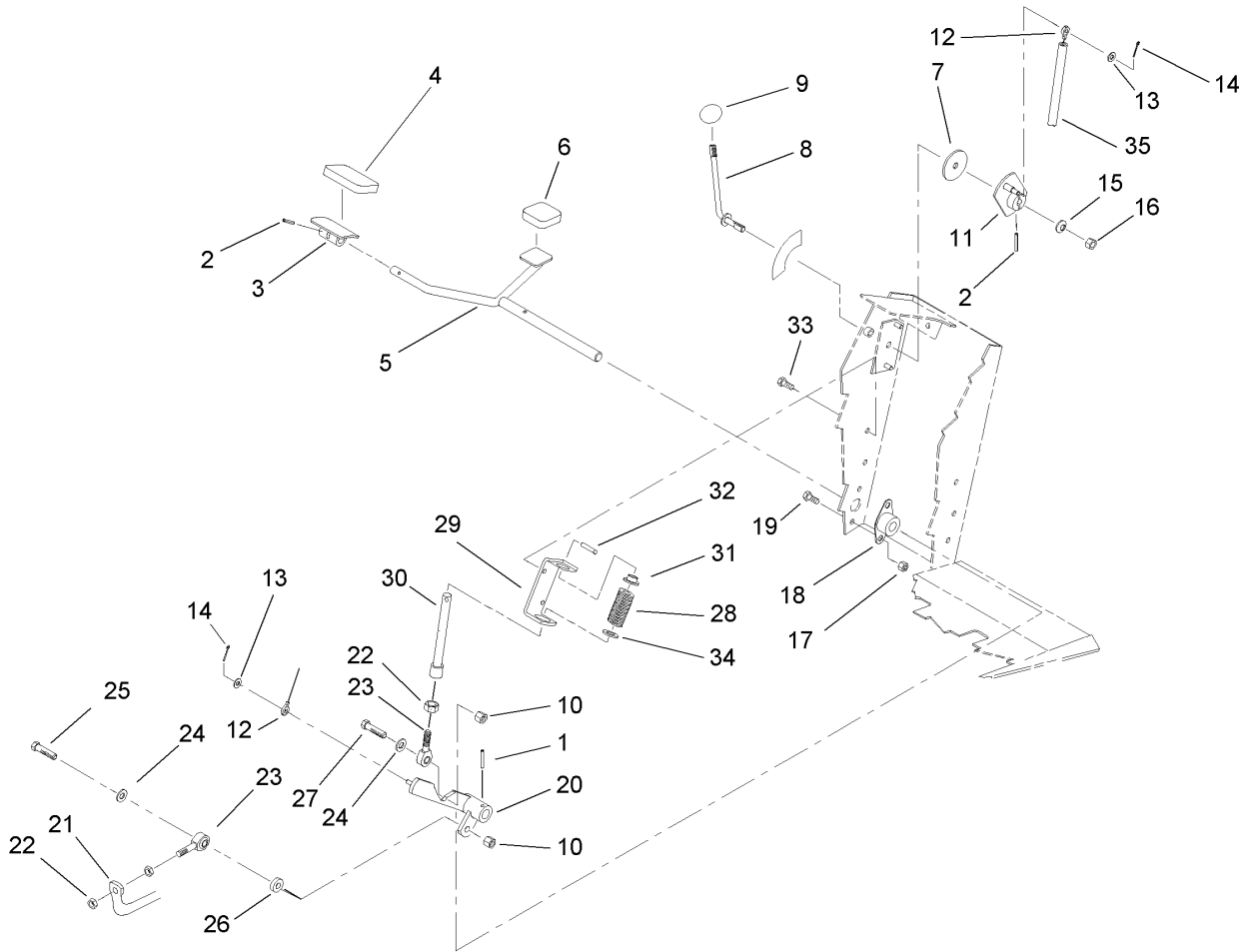
| Ref   | Part No.  | Qty. | Description       |
|-------|-----------|------|-------------------|
| 21    | 33104-020 | 6    | Screw-HHF         |
| 22    | 353-508   | 1    | Plug              |
| 22:1  | 237-42    | 1    | O-Ring            |
| 23    | 104-3748  | 1    | HYD Tank Tube ASM |
| ●23:1 | 340-65    | 1    | O-Ring            |



## Fuel Tank Assembly

| Ref | Part No.  | Qty. | Description    |
|-----|-----------|------|----------------|
| 1   | 92-7522   | 1    | Hose-Fuel      |
| 2   | 66-8121   | 1    | Standpipe      |
| 3   | 104-5228  | 1    | Fitting-Elbow  |
| 4   | 46-6560   | 2    | Bushing        |
| 5   | 93-3102   | 1    | Cap-Fuel       |
| 6   | 105-7949  | 1    | Tank-Fuel      |
| 6:1 | 2412-36   | 1    | Clamp-Hose     |
| 6:2 | 304-46    | 1    | Draincock      |
| 7   | 240-11    | 3    | Bushing-Flange |
| 8   | 63-8410   | 3    | Washer         |
| 9   | 33105-025 | 3    | Screw-HHF      |
| 10  | 62-7650   | 1    | Gasket         |
| 11  | 63-7640   | 1    | Sender-Fuel    |
| 12  | 3253-15   | 5    | Washer-Lock    |
| 13  | 32122-24  | 5    | Screw-PTH      |
| 14  | 75-4700   | 1    | Hose-Fuel      |
| 15  | 2412-108  | 2    | Clamp-Worm     |
| 16  | 61-2790   | 1    | Filter-Screen  |

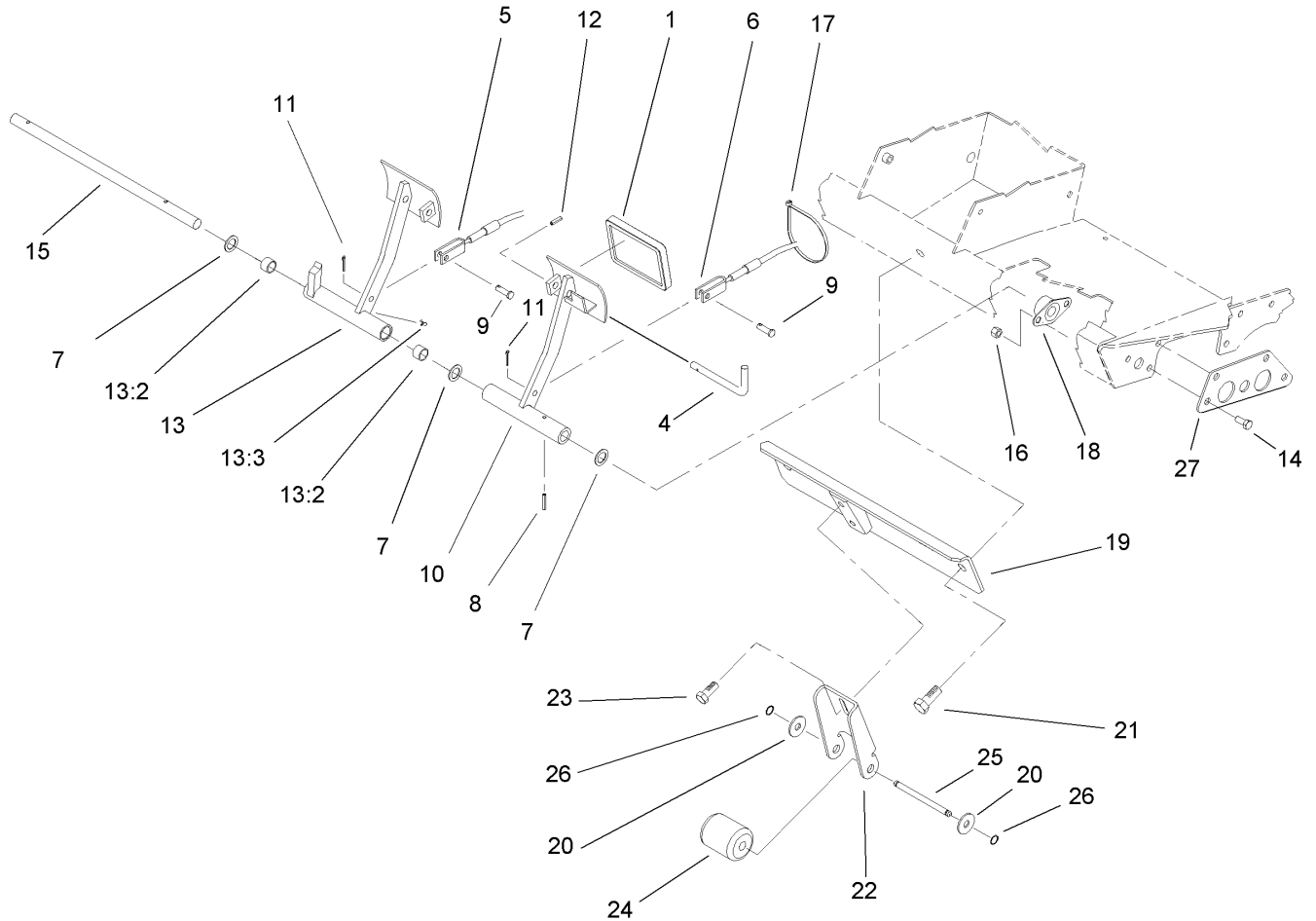
|  |  |  |  |
|--|--|--|--|
|  |  |  |  |
|  |  |  |  |
|  |  |  |  |
|  |  |  |  |



### Traction Pedal Assembly

| Ref | Part No.    | Qty. | Description           |
|-----|-------------|------|-----------------------|
| 1   | 32121-6     | 1    | Pin-Roll, Slotted     |
| 2   | 32121-45    | 2    | Pin-Spring            |
| 3   | 49-6440-03  | 1    | Pedal-Forward         |
| 4   | 74-9100     | 1    | Pad-Pedal, Forward    |
| 5   | 75-2970     | 1    | Pedal-Traction        |
| 6   | 74-9110     | 1    | Pad-Pedal, Reverse    |
| 7   | 75-6550     | 1    | Disc-Friction         |
| 8   | 75-6490     | 1    | Lever ASM             |
| 9   | 233-42      | 1    | Knob                  |
| 10  | 3296-39     | 2    | Nut-Lock, NI          |
| 11  | 75-6510     | 1    | Bracket-Lever         |
| 12  | 75-6580     | 1    | Cable-Pedal           |
| 13  | 3256-22     | 2    | Washer-Flat           |
| 14  | 3272-2      | 2    | Pin-Cotter            |
| 15  | 3290-461    | 1    | Washer-Spring         |
| 16  | 3296-59     | 1    | Nut-Lock, NI          |
| 17  | 32128-20    | 4    | Nut-HF                |
| 18  | 256-236     | 2    | Bearing-Mount, Flange |
| 19  | 322-3       | 4    | Screw-HH              |
| 20  | 75-3270-03  | 1    | Hub-Pivot, Traction   |
| 21  | 100-3893-03 | 1    | Tube-Control, Pump    |
| 22  | 3220-3      | 3    | Nut-HJ                |
| 23  | 2411-36     | 2    | Bearing-End, Rod      |
| 24  | 3256-24     | 2    | Washer-Flat           |

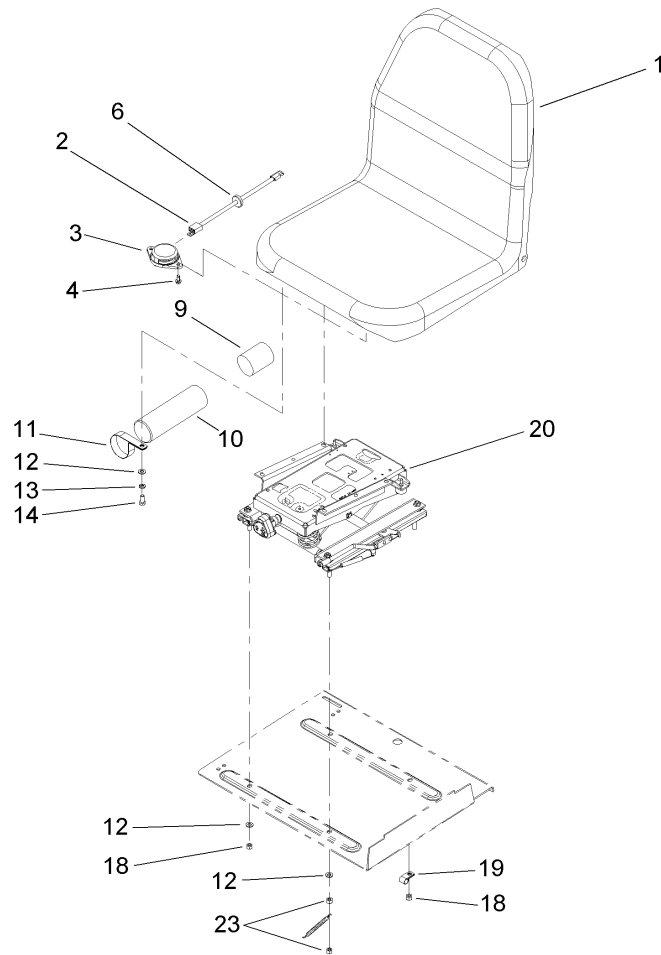
| Ref | Part No.   | Qty. | Description     |
|-----|------------|------|-----------------|
| 25  | 323-9      | 1    | Screw-HH        |
| 26  | 5-0652     | 1    | Spacer          |
| 27  | 323-29     | 1    | Screw-HH        |
| 28  | 60-5700    | 1    | Spring          |
| 29  | 92-7608-03 | 1    | Bracket-Spring  |
| 30  | 92-7609    | 1    | Shaft-Spring    |
| 31  | 92-7610    | 1    | Retainer-Spring |
| 32  | 32121-11   | 1    | Pin-Roll        |
| 33  | 32144-14   | 2    | Screw-HWHTF     |
| 34  | 3256-5     | 1    | Washer-Flat     |
| 35  | 95-7151    | 1    | Tube-Convoluted |



## Brake Pedal Assembly

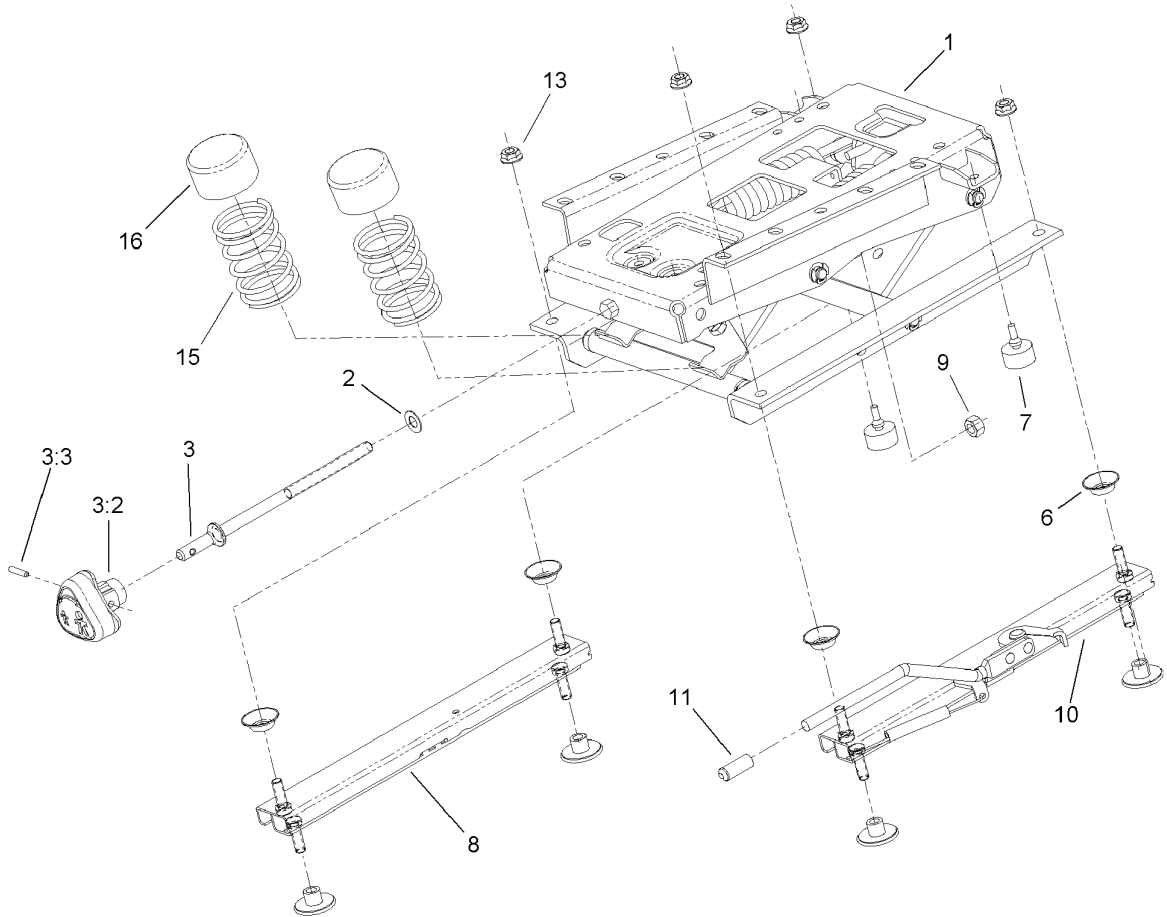
| Ref  | Part No.    | Qty. | Description           |
|------|-------------|------|-----------------------|
| 1    | 93-8742     | 2    | Footpad-Brake         |
| 4    | 63-7880     | 1    | Pin-Latch, Brake      |
| 5    | 92-7530     | 1    | LH Brake Cable ASM    |
| 6    | 92-7529     | 1    | RH Brake Cable ASM    |
| 7    | 3256-69     | 3    | Washer-Flat           |
| 8    | 32121-16    | 1    | Pin-Spring            |
| 9    | 283-58      | 2    | Pin-Clevis            |
| 10   | 75-1440-03  | 1    | LH Brake Pedal ASM    |
| 11   | 3272-10     | 2    | Pin-Cotter            |
| 12   | 32121-50    | 1    | Pin-Spring            |
| 13   | 75-1430     | 1    | Pedal-Brake, RH       |
| 13:2 | 256-42      | 2    | Bushing               |
| 13:3 | 302-5       | 1    | Fitting-Grease        |
| 14   | 322-3       | 11   | Screw-HH              |
| 15   | 75-1470     | 1    | Pin-Pivot, Brake      |
| 16   | 32128-20    | 11   | Nut-HF                |
| 17   | 3290-378    | 1    | Tie-Cable             |
| 18   | 256-236     | 2    | Bearing-Mount, Flange |
| 19   | 105-0138-03 | 1    | Stabilizer            |
| 20   | 3256-26     | 2    | Washer-Flat           |
| 21   | 3234-38     | 2    | Screw-HHF             |
| 22   | 100-3868-03 | 1    | Bracket-Tipper        |
| 23   | 3234-1      | 2    | Screw-HHF             |
| 24   | 75-5390     | 1    | Roller                |

| Ref | Part No.    | Qty. | Description       |
|-----|-------------|------|-------------------|
| 25  | 75-5400     | 1    | Pin-Roller        |
| 26  | 32151-61    | 2    | Ring-Retaining    |
| 27  | 106-7793-01 | 2    | Plate-Mount, Tube |



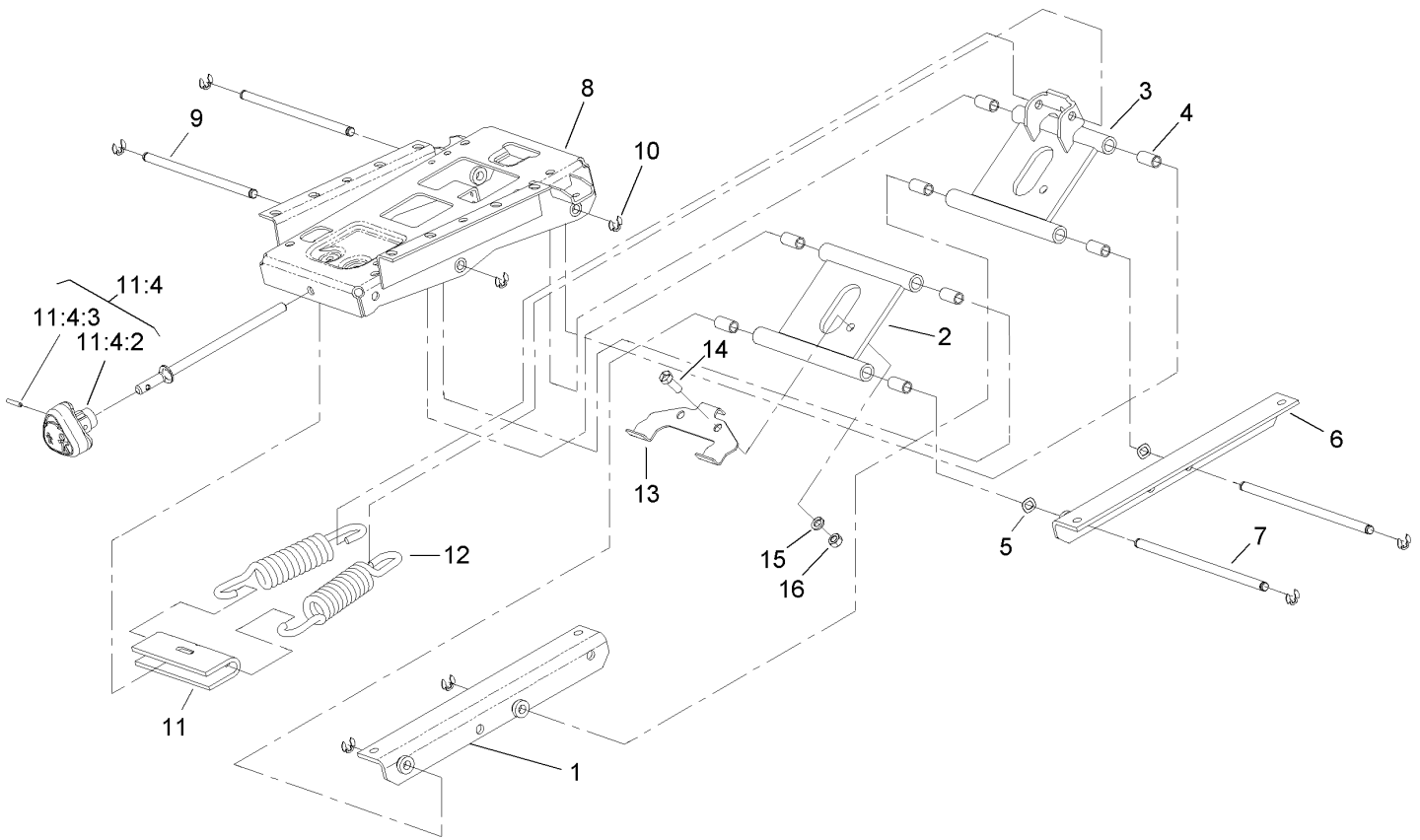
## Seat Assembly

| Ref | Part No. | Qty. | Description               |
|-----|----------|------|---------------------------|
| 1   | 104-4620 | 1    | Seat                      |
| 2   | 106-7090 | 1    | Harness-Wire, Seat Switch |
| 3   | 92-6282  | 1    | Switch-Seat               |
| 4   | 32144-10 | 2    | Screw-HWH                 |
| 6   | 93-0140  | 1    | Grommet-Rubber            |
| 9   | 104-7048 | 1    | Cap-Housing               |
| 10  | 104-7050 | 1    | Housing-Manual            |
| 11  | 2412-133 | 2    | R-Clamp                   |
| 12  | 3256-23  | 8    | Washer-Flat               |
| 13  | 3253-4   | 4    | Washer-Lock               |
| 14  | 322-3    | 4    | Screw-HH                  |
| 18  | 3296-29  | 3    | Nut-Lock, NI              |
| 19  | 2412-93  | 1    | Clamp-R                   |
| 20  | 76-1970  | 1    | Seat Suspension ASM       |
| 23  | 3296-47  | 2    | Nut-Lock, NI              |



## Seat Suspension Assembly No. 76-1970

| Ref | Part No. | Qty. | Description               |  |  |  |  |
|-----|----------|------|---------------------------|--|--|--|--|
| 1   | 106-8085 | 1    | Suspension ASM            |  |  |  |  |
| 2   | 3256-24  | 1    | Washer-Flat               |  |  |  |  |
| 3   | 106-1031 | 1    | Tension Adjuster Knob ASM |  |  |  |  |
| 3:2 | 106-8093 | 1    | Knob-Adjust, Tension      |  |  |  |  |
| 3:3 | 32121-45 | 1    | Pin-Spring                |  |  |  |  |
| 6   | 66-9290  | 4    | Spacer-Suspension         |  |  |  |  |
| 7   | 76-2940  | 2    | Bumper                    |  |  |  |  |
| 8   | 66-8530  | 1    | Adjuster                  |  |  |  |  |
| 9   | 32153-2  | 1    | Nut-Lock, Side            |  |  |  |  |
| 10  | 66-8510  | 1    | Adjuster W / Handle       |  |  |  |  |
| 11  | 75-3570  | 1    | Tip-Vinyl                 |  |  |  |  |
| 13  | 32128-25 | 4    | Nut-HF                    |  |  |  |  |
| 15  | 93-3163  | 2    | Spring                    |  |  |  |  |
| 16  | 93-3164  | 2    | Cap                       |  |  |  |  |

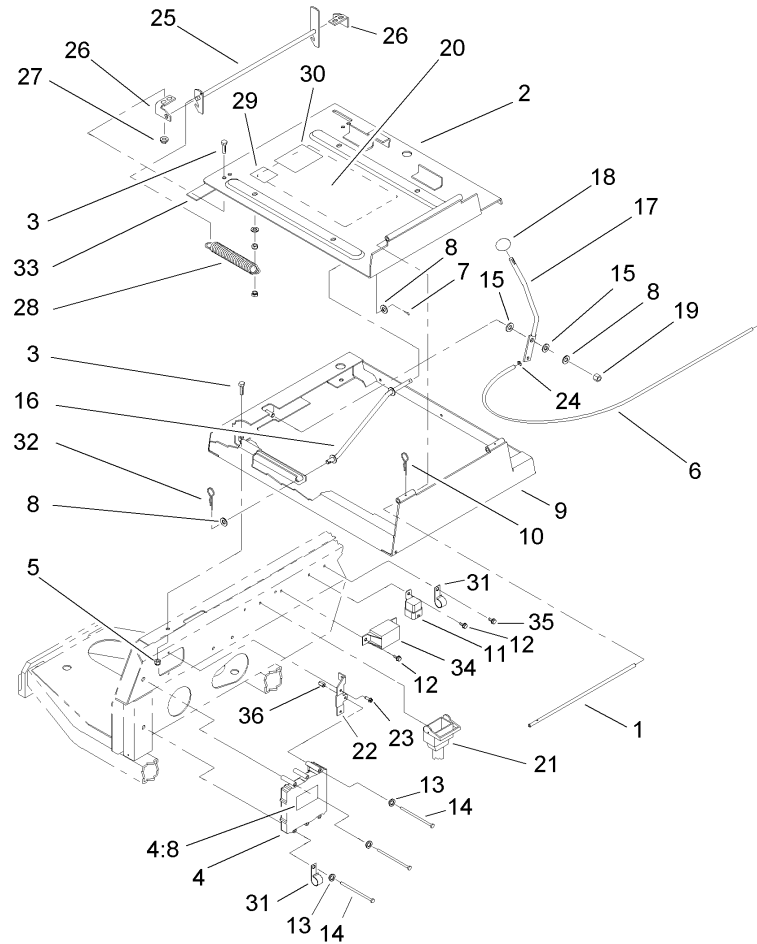


## Suspension Assembly No. 106-8085

| Ref    | Part No. | Qty. | Description               |
|--------|----------|------|---------------------------|
| 1      | 106-8086 | 1    | Bracket-Mounting, RH      |
| 2      | 106-8087 | 1    | Arm                       |
| 3      | 106-8088 | 1    | Bellcrank                 |
| 4      | 76-1920  | 8    | Sleeve-Bearing            |
| 5      | 108472   | 2    | Washer-Wave               |
| 6      | 106-8089 | 1    | Bracket-Mounting, LH      |
| 7      | 106-8090 | 2    | Shaft-Pivot               |
| 8      | 66-8600  | 1    | Frame-Upper               |
| 9      | 76-1910  | 2    | Shaft-Pivot               |
| 10     | 32151-47 | 8    | Ring-Retaining            |
| 11     | 76-1960  | 1    | Knob Kit                  |
| 11:4   |          | 1    | Tension Adjuster Knob ASM |
| 11:4:2 | 106-8093 | 1    | Knob-Adjust, Tension      |
| 11:4:3 | 32121-45 | 1    | Pin-Spring                |
| 12     | 76-1940  | 2    | Spring-Extension          |
| 13     | 93-3165  | 1    | Bracket                   |
| 14     | 322-6    | 1    | Screw-HH                  |
| 15     | 3253-33  | 1    | Washer-Lock               |
| 16     | 3217-6   | 1    | Nut-Hex                   |

|  |  |  |  |
|--|--|--|--|
|  |  |  |  |
|  |  |  |  |
|  |  |  |  |
|  |  |  |  |

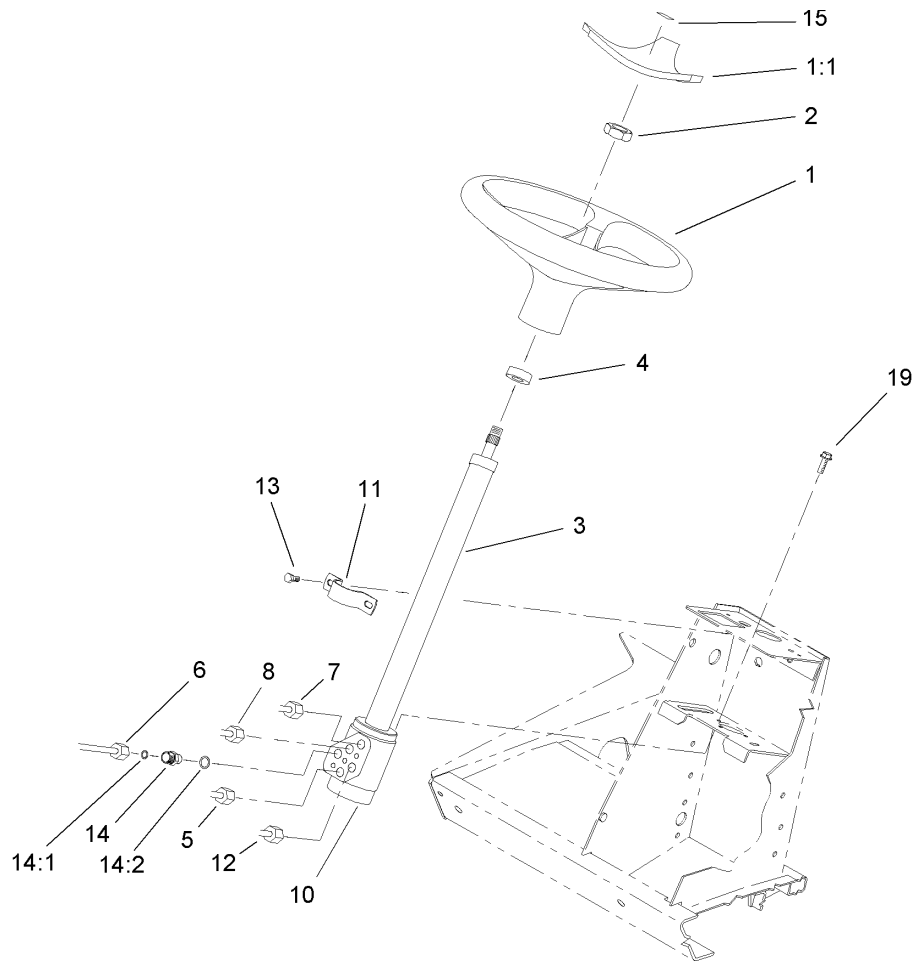




## Seat Frame and Throttle Assembly

| Ref | Part No.    | Qty. | Description                 |
|-----|-------------|------|-----------------------------|
| 1   | 75-3400     | 1    | Shaft-Pivot, Seat           |
| 2   | 98-2350-03  | 1    | Seat Plate ASM              |
| 3   | 322-3       | 8    | Screw-HH                    |
| 4   | 92-5720     | 1    | Controller                  |
| 4:8 | 93-8053     | 1    | Decal                       |
| 5   | 3296-29     | 4    | Nut-Lock, NI                |
| 6   | 105-0102    | 1    | Cable-Throttle              |
| 7   | 3272-10     | 1    | Pin-Cotter                  |
| 8   | 3256-24     | 3    | Washer-Flat                 |
| 9   | 98-2352-03  | 1    | Frame-Seat                  |
| 10  | 3290-467    | 1    | Pin-Hair                    |
| 11  | 70-1480     | 1    | Relay                       |
| 12  | 32144-10    | 3    | Screw-HWH                   |
| 13  | 3253-3      | 3    | Washer-Lock                 |
| 14  | 321-14      | 3    | Screw-HH                    |
| 15  | 66-2920     | 2    | Washer-Friction             |
| 16  | 75-3680-03  | 1    | Rod-Seat                    |
| 17  | 93-7598-03  | 1    | Lever-Throttle              |
| 18  | 233-42      | 1    | Knob                        |
| 19  | 3296-39     | 1    | Nut-Lock, NI                |
| 20  | 105-7528    | 1    | Decal-Information, Solenoid |
| 21  | 105-3352    | 1    | Harness-Wire, Main          |
| 22  | 106-7789-03 | 1    | Bracket-Controller          |
| 23  | 49-2040     | 2    | Screw-HWHTF                 |

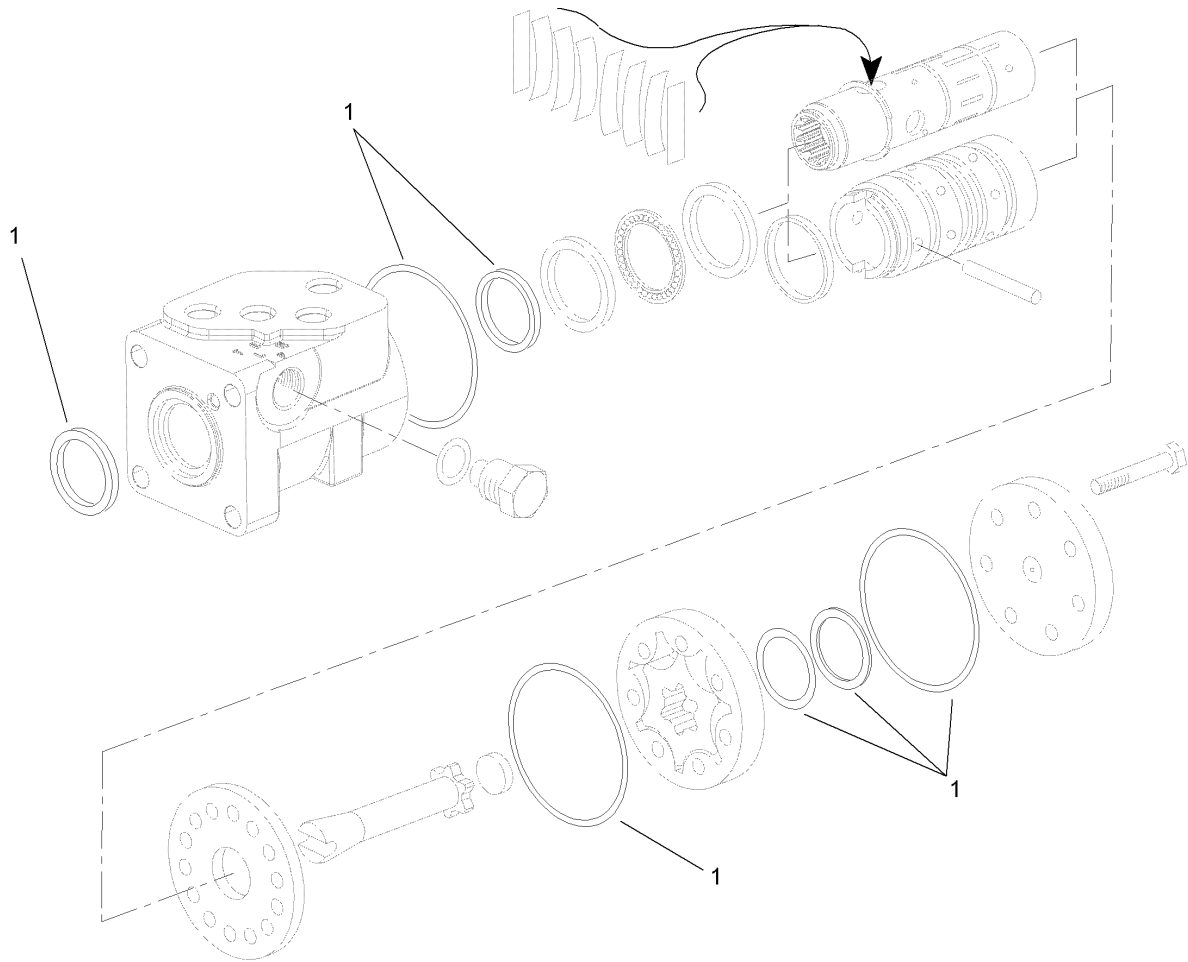
| Ref | Part No.   | Qty. | Description          |
|-----|------------|------|----------------------|
| 24  | 52-5910    | 1    | Ring-Retaining       |
| 25  | 98-2354-03 | 1    | Latch-Seat           |
| 26  | 98-2353    | 2    | Bracket-Latch, Seat  |
| 27  | 32128-25   | 4    | Nut-HF               |
| 28  | 66-4190-03 | 1    | Spring-Idler, Clutch |
| 29  | 105-4674   | 1    | Decal-Noise          |
| 30  | 85-6910    | 1    | Decal-Rating, Noise  |
| 31  | 2412-150   | 2    | Clip-J               |
| 32  | 3290-307   | 1    | Pin-Hair             |
| 33  | 94-8146    | 1    | Strip-Foam           |
| 34  | 66-8800    | 1    | Relay                |
| 35  | 32144-11   | 1    | Screw-HWHTF          |
| 36  | 32148-6    | 1    | Insert-Nut           |



## Steering Wheel Assembly

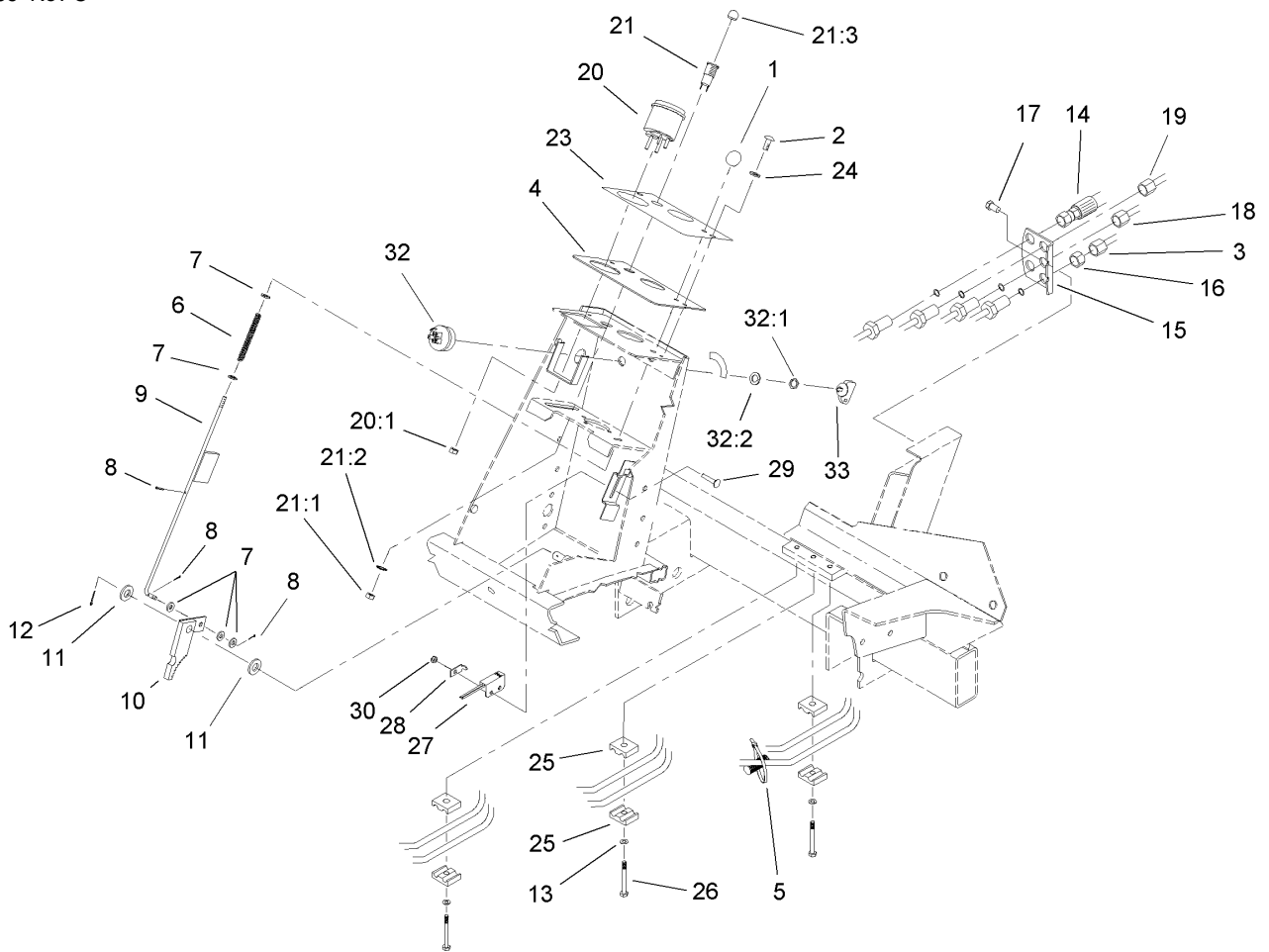
| Ref   | Part No.  | Qty. | Description                 |
|-------|-----------|------|-----------------------------|
| 1     | 98-1471   | 1    | Wheel-Steering              |
| 1:1   | 98-1468   | 1    | Cover-Wheel, Steering       |
| 2     | 94-9952   | 1    | Nut-Hex                     |
| 3     | 94-9951   | 1    | Column-Steering             |
| 4     | 21-9260   | 1    | Cover-Dust                  |
| 5     | 94-3059   | 1    | HYD Tube ASM                |
| ●5:1  | 237-22    | 1    | O-Ring                      |
| 6     | 104-3733  | 1    | Front In Straight Tube ASM  |
| ●6:1  | 237-22    | 1    | O-Ring                      |
| 7     | 104-3737  | 1    | Front Out Straight Tube ASM |
| 8     | 94-3060   | 1    | HYD Tube ASM                |
| ●8:1  | 237-22    | 1    | O-Ring                      |
| 10    | 114-5073  | 1    | Steering Control ASM        |
| 11    | 75-2810   | 1    | Bracket-Column, Steering    |
| 12    | 94-3071   | 1    | HYD Tube ASM                |
| ●12:1 | 237-22    | 1    | O-Ring                      |
| 13    | 3234-7    | 2    | Screw-HHF                   |
| 14    | 340-2     | 5    | Fitting-HYD, Straight       |
| 14:1  | 237-22    | 1    | O-Ring                      |
| 14:2  | 237-42    | 1    | O-Ring                      |
| 15    | 98-1459   | 1    | Decal                       |
| 19    | 33103-020 | 3    | Screw-HHF                   |

|  |  |  |  |
|--|--|--|--|
|  |  |  |  |
|  |  |  |  |
|  |  |  |  |
|  |  |  |  |



### Steering Control Assembly No. 114-5073

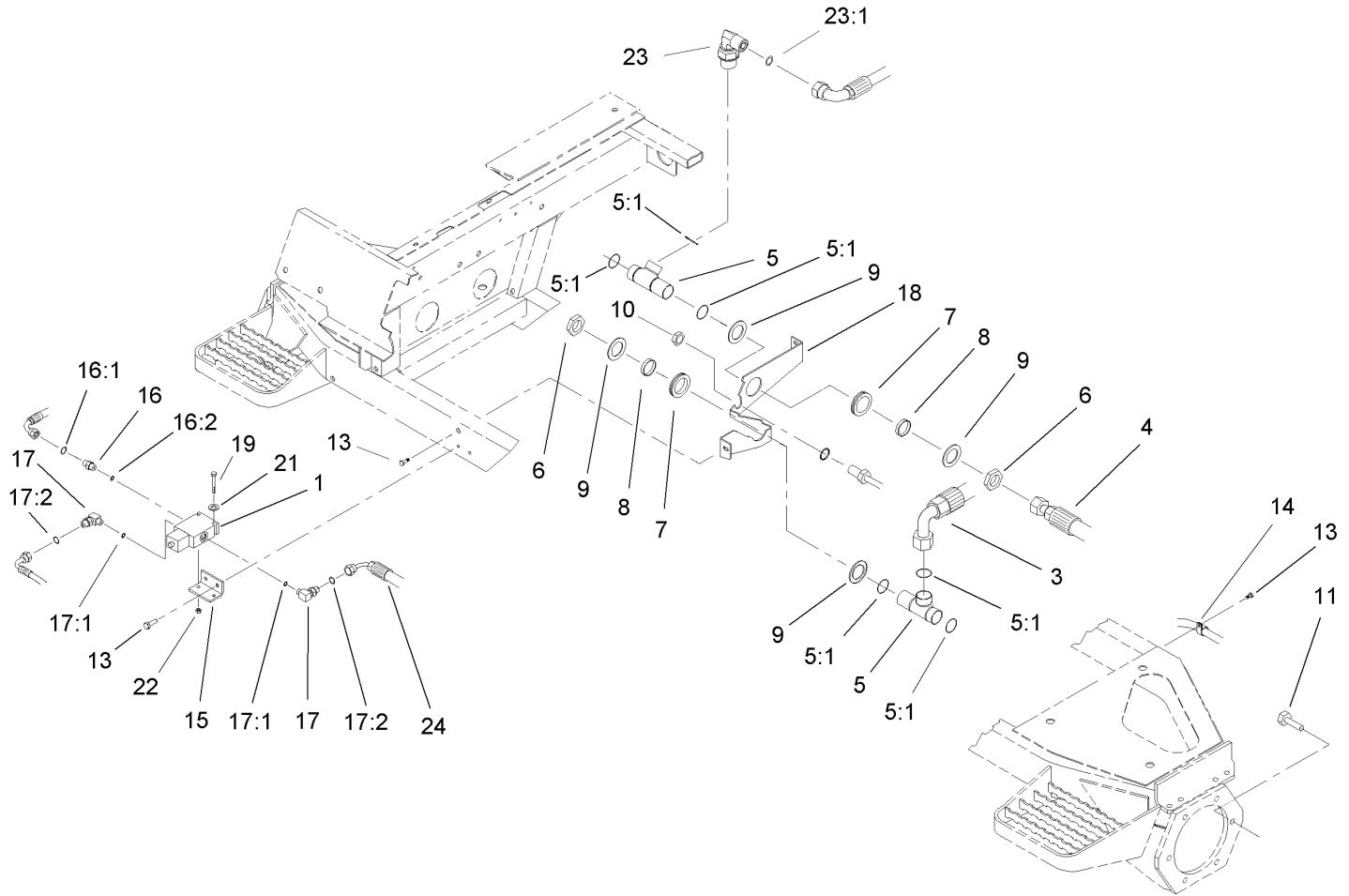
| Ref | Part No. | Qty. | Description |
|-----|----------|------|-------------|
| 1   | 108-1519 | 1    | Seal Kit    |



## Steering Tower Assembly

| Ref   | Part No.   | Qty. | Description               |
|-------|------------|------|---------------------------|
| 1     | 233-17     | 1    | Knob                      |
| 2     | 87-6620    | 2    | Screw                     |
| 3     | 104-3738   | 1    | HYD Tube ASM              |
| 4     | 93-7998-03 | 1    | Plate-Instrument          |
| 5     | 3290-379   | 1    | Tie-Cable                 |
| 6     | 95-1821-03 | 1    | Spring-Compression        |
| 7     | 3256-22    | 5    | Washer-Flat               |
| 8     | 3272-5     | 3    | Pin-Cotter                |
| 9     | 104-1492   | 1    | Rod ASM                   |
| 10    | 63-7900-03 | 1    | Rack ASM                  |
| 11    | 3256-26    | 2    | Washer-Flat               |
| 12    | 3272-10    | 1    | Pin-Cotter                |
| 13    | 3256-23    | 3    | Washer-Flat               |
| 14    | 105-7926   | 1    | Steering Hose ASM         |
| 15    | 92-7606-03 | 1    | Bracket-Bulkhead          |
| 16    | 340-70     | 4    | Nut-Lock                  |
| 17    | 32144-14   | 2    | Screw-HWHTF               |
| 18    | 104-3745   | 1    | RH Rear Straight Tube ASM |
| ●18:1 | 237-22     | 1    | O-Ring                    |
| 19    | 104-3746   | 1    | Rear In Straight Tube ASM |
| ●19:1 | 237-22     | 1    | O-Ring                    |
| 20    | 105-3304   | 1    | Speedometer               |
| 20:1  | 3296-1     | 4    | Nut-Lock                  |
| 21    | 44-2210    | 1    | Light-Indicator, Red      |

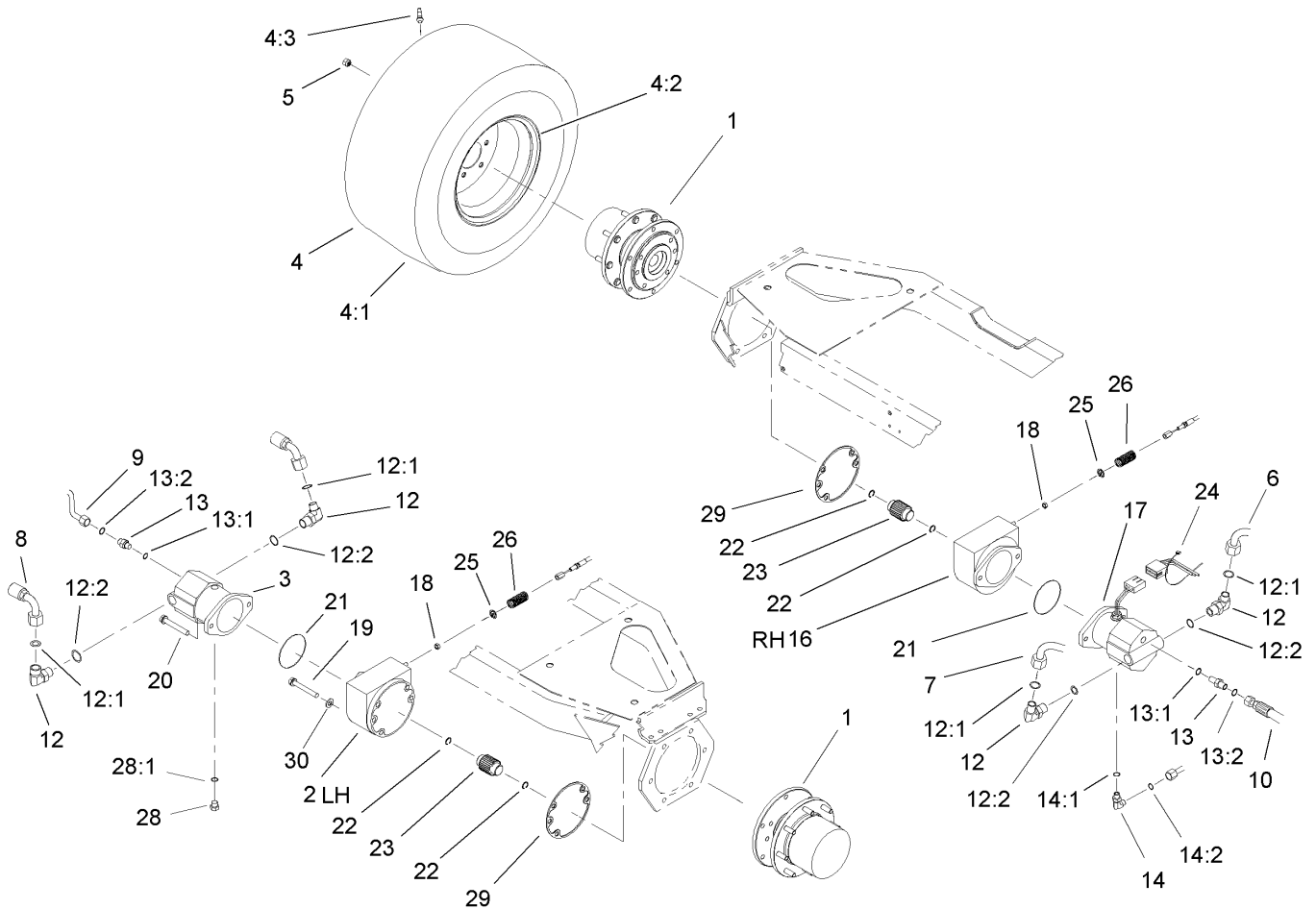
| Ref   | Part No. | Qty. | Description           |
|-------|----------|------|-----------------------|
| 21:1  | 218-535  | 1    | Nut-Hex               |
| 21:2  | 218-536  | 1    | Washer-Lock           |
| 21:3  | 218-533  | 1    | Lens                  |
| ●21:4 | 218-533  | 1    | Bulb                  |
| 23    | 93-1263  | 1    | Decal-Tower           |
| 24    | 3256-1   | 2    | Washer-Flat           |
| 25    | 56-7973  | 6    | Clamp-Tube            |
| 26    | 322-6    | 3    | Screw-HH              |
| 27    | 100-1270 | 1    | Switch-Proximity      |
| 28    | 100-4872 | 1    | Plate-Switch, Neutral |
| 29    | 104-1450 | 1    | Bolt-CARR             |
| 30    | 3296-2   | 1    | Nut-Lock              |
| 32    | 104-2541 | 1    | Switch ASM            |
| 32:1  | 218-461  | 1    | Nut-HH                |
| 32:2  | 3254-5   | 1    | Washer-Tooth          |
| 33    | 63-8360  | 1    | Key-Ignition          |



### Front Hydraulic Drive Assembly

| Ref  | Part No.   | Qty. | Description            |
|------|------------|------|------------------------|
| 1    | 105-3303   | 1    | Flow Divider Valve ASM |
| 3    | 105-7922   | 1    | HYD Hose ASM           |
| 4    | 92-7486    | 1    | HYD Hose ASM           |
| 5    | 92-7550    | 2    | Fitting-Tee, Bulkhead  |
| 5:1  | 340-65     | 3    | O-Ring                 |
| 6    | 340-128    | 2    | Nut-Bulkhead           |
| 7    | 240-2      | 2    | Grommet-Rubber         |
| 8    | 69-8950    | 2    | Spacer                 |
| 9    | 69-8920    | 4    | Washer                 |
| 10   | 340-127    | 1    | Nut-Bulkhead           |
| 11   | 33106-030  | 12   | Screw-HHF              |
| 13   | 32144-14   | 7    | Screw-HWHTF            |
| 14   | 2412-93    | 2    | Clamp-R                |
| 15   | 100-3807   | 1    | Bracket-Divider, Flow  |
| 16   | 340-1      | 1    | Adapter                |
| 16:1 | 237-21     | 1    | O-Ring                 |
| 16:2 | 237-42     | 1    | O-Ring                 |
| 17   | 340-82     | 2    | Adapter                |
| 17:1 | 237-42     | 1    | O-Ring                 |
| 17:2 | 237-21     | 1    | O-Ring                 |
| 18   | 92-7455-03 | 1    | Plate-Bulkhead         |
| 19   | 321-23     | 2    | Screw-HH               |
| 21   | 3256-2     | 2    | Washer-Flat            |
| 22   | 3296-42    | 2    | Nut-Lock, NI           |

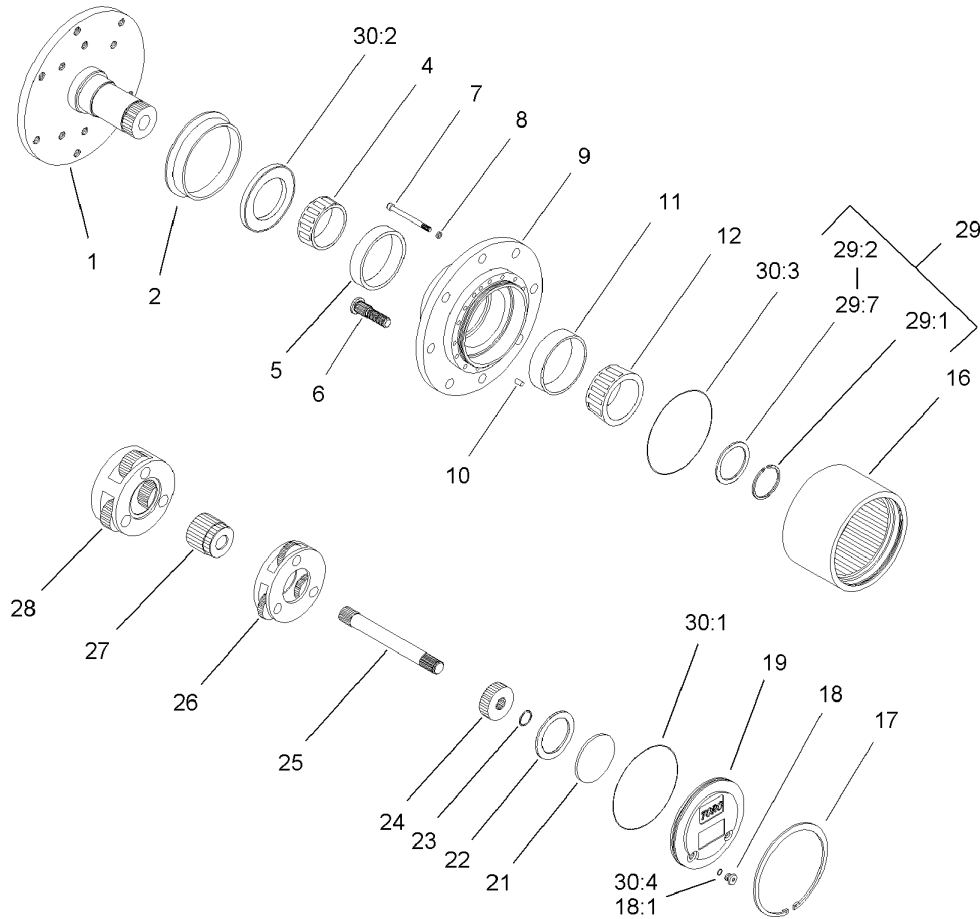
| Ref  | Part No. | Qty. | Description            |
|------|----------|------|------------------------|
| 23   | 92-7645  | 1    | Fitting-Swivel, 90 DEG |
| 23:1 | 340-65   | 1    | O-Ring                 |
| 24   | 100-3783 | 1    | Hose ASM               |



## Front Axle and Brake Assembly

| Ref  | Part No.    | Qty. | Description          |
|------|-------------|------|----------------------|
| 1    | 105-4500-03 | 2    | Planetary ASM        |
| 2    | 100-3070-03 | 1    | Brake ASM            |
| 3    | 92-7385     | 1    | HYD Motor ASM        |
| 4    |             | 2    | Wheel And Tire ASM   |
| 4:1  | 95-3465     | 1    | Tire                 |
| 4:2  | 95-3464     | 1    | Rim                  |
| 4:3  | 232-24      | 1    | Stem-Valve           |
| 5    | 92-7483     | 16   | Nut-Lug              |
| 6    | 92-7475     | 1    | Traction Tube ASM    |
| 7    | 92-7476     | 1    | Traction Tube ASM    |
| 8    | 92-7487     | 1    | HYD Hose ASM         |
| 9    | 92-7477     | 1    | Motor Drain Tube ASM |
| 10   | 92-7488     | 1    | HYD Hose ASM         |
| 12   | 340-142     | 4    | Fitting-HYD, 90 DEG  |
| 12:1 | 237-58      | 1    | O-Ring               |
| 12:2 | 237-81      | 1    | O-Ring               |
| 13   | 340-5       | 2    | Fitting-Straight     |
| 13:1 | 237-42      | 1    | O-Ring               |
| 13:2 | 237-30      | 1    | O-Ring               |
| 14   | 340-98      | 1    | Fitting-HYD, 90 DEG  |
| 14:1 | 237-79      | 1    | O-Ring               |
| 14:2 | 237-30      | 1    | O-Ring               |
| 16   | 100-3069-03 | 1    | Brake ASM            |
| 17   | 93-7476     | 1    | HYD Motor ASM        |

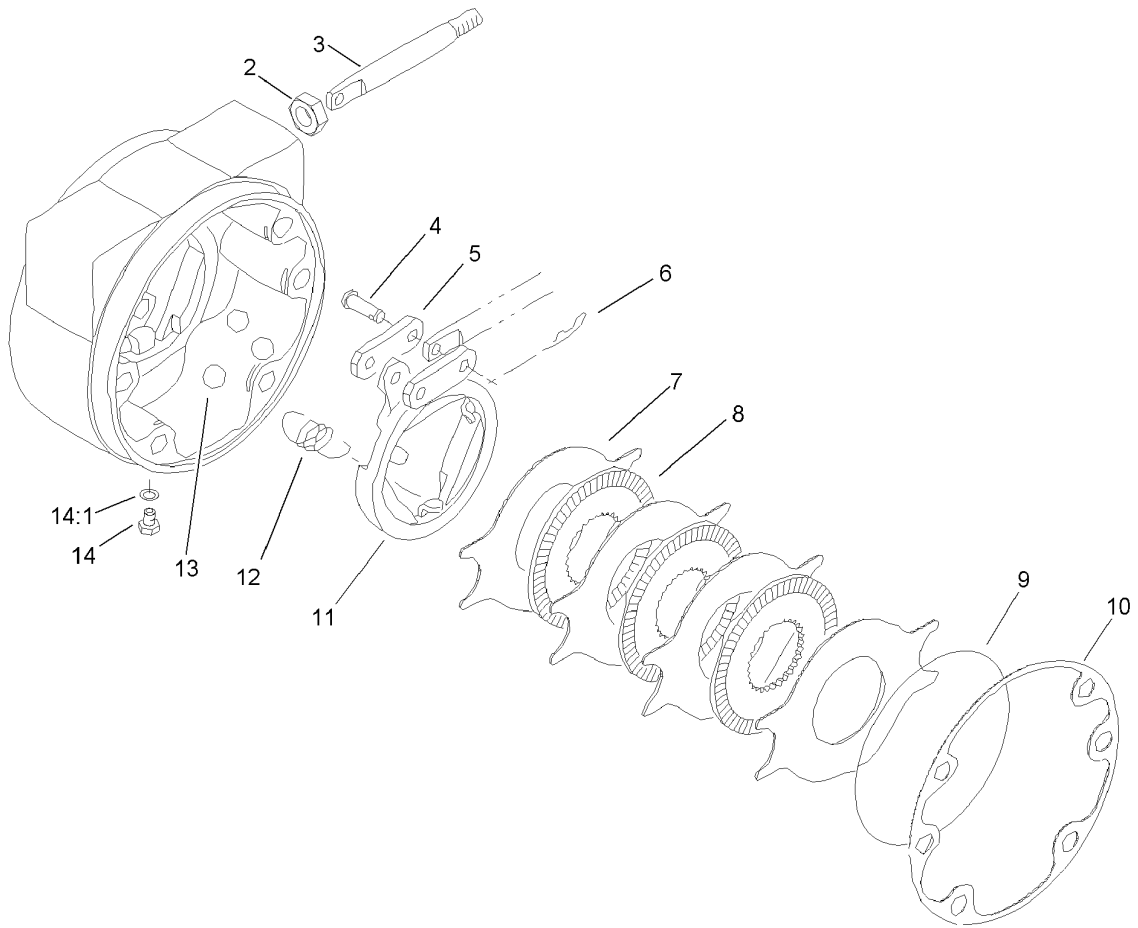
| Ref  | Part No.  | Qty. | Description              |
|------|-----------|------|--------------------------|
| 18   | 3218-4    | 2    | Nut-Jam                  |
| 19   | 33106-090 | 8    | Screw-HHF                |
| 20   | 33116-120 | 4    | Screw-HH                 |
| 21   | 237-166   | 2    | O-Ring                   |
| 22   | 93-7972   | 4    | Ring-Retaining, Internal |
| 23   | 100-3046  | 2    | Shaft-Brake, Splined     |
| 24   | 3290-378  | 2    | Tie-Cable                |
| 25   | 94-3050   | 2    | Plate-Spring             |
| 26   | 94-3088   | 2    | Spring-Compression       |
| 28   | 353-550   | 1    | Plug-HYD, HH             |
| 28:1 | 237-79    | 1    | O-Ring                   |
| 29   | 93-7984   | 2    | Gasket                   |
| 30   | 3256-26   | 4    | Washer-Flat              |



## Planetary Assembly No. 105-4500-03

| Ref  | Part No. | Qty. | Description           |
|------|----------|------|-----------------------|
| ②1   |          | 1    | Spindle               |
| 2    | 105-8122 | 1    | Seal-Boot             |
| 4    | 105-8120 | 1    | Bearing-Cone          |
| 5    | 105-8119 | 1    | Bearing-Cup           |
| 6    | 105-8124 | 8    | Stud-Wheel            |
| 7    | 105-8125 | 16   | Bolt-Head, Socket     |
| 8    | 3253-18  | 16   | Washer-Lock           |
| ②9   |          | 1    | Housing               |
| 10   | 105-8121 | 1    | Pin-Dowel             |
| 11   | 105-8117 | 1    | Bearing-Cup           |
| 12   | 105-8118 | 1    | Bearing-Cone          |
| 16   | 105-8113 | 1    | Gear-Ring             |
| 17   | 105-8132 | 1    | Ring-Retaining        |
| 18   | 353-990  | 2    | Plug                  |
| 18:1 | 237-78   | 1    | O-Ring                |
| 19   | 105-8138 | 1    | Cap-End               |
| 21   | 105-8133 | 1    | Plug-Thrust           |
| 22   | 105-8123 | 1    | Washer-Thrust         |
| 23   | 105-8131 | 1    | Ring-Retaining        |
| 24   | 105-8114 | 1    | Gear-Primary          |
| 25   | 105-8115 | 1    | Shaft-Drive           |
| 26   | 105-8129 | 1    | Primary Carrier ASM   |
| 27   | 105-8139 | 1    | Gear-Secondary        |
| 28   | 105-8130 | 1    | Secondary Carrier ASM |

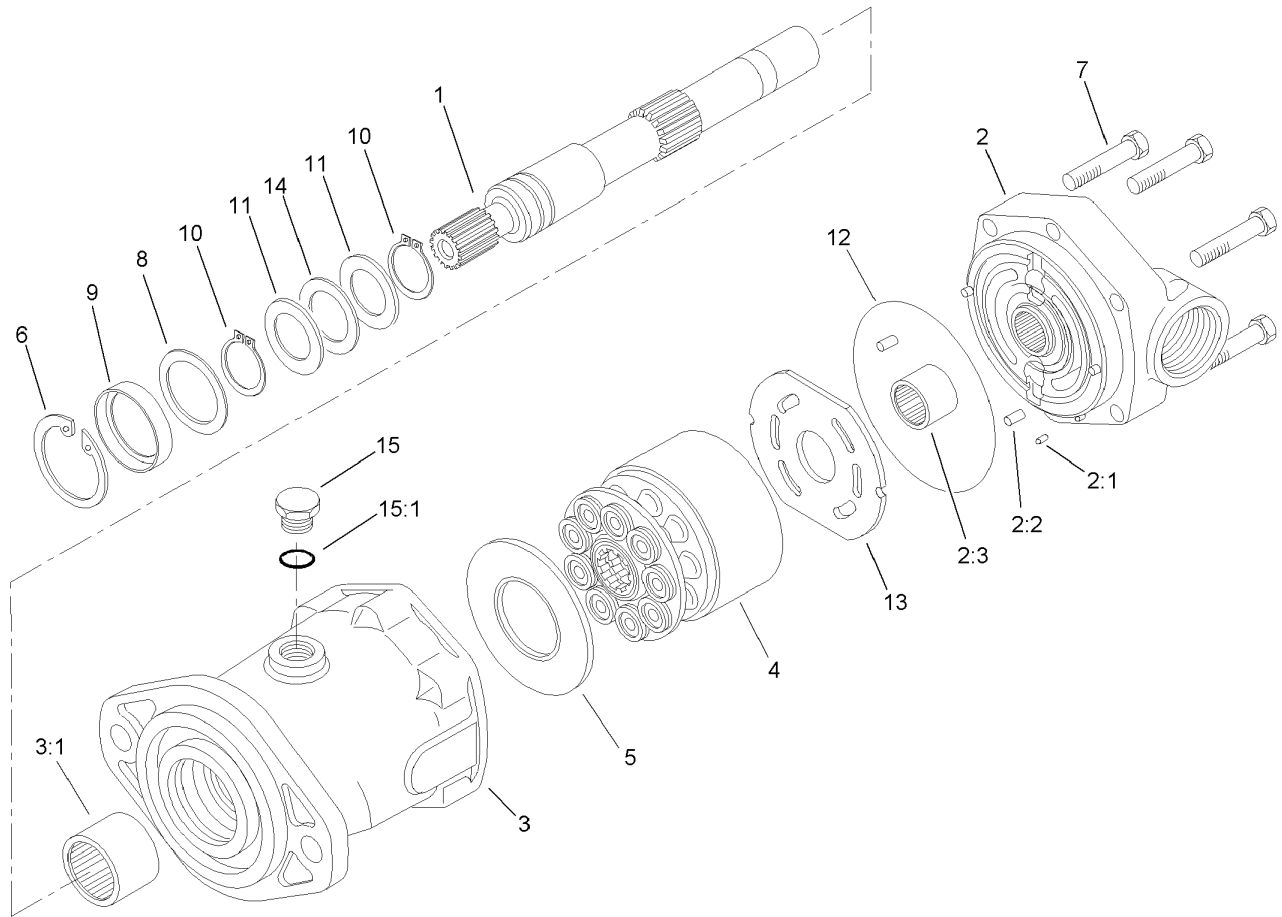
| Ref   | Part No. | Qty. | Description         |
|-------|----------|------|---------------------|
| 29    | 105-8136 | 1    | Shim Kit            |
| ②29:1 |          | 1    | Ring-Snap           |
| ②29:2 |          | 1    | Shim-Bearing, 2.9Mm |
| ②29:3 |          | 1    | Shim-Bearing, 2.8Mm |
| ②29:4 |          | 1    | Shim-Bearing, 2.7Mm |
| ②29:5 |          | 1    | Shim-Bearing, 2.6Mm |
| ②29:6 |          | 1    | Shim-Bearing, 2.5Mm |
| ②29:7 |          | 1    | Shim-Bearing, 2.4Mm |
| ①30   | 105-8137 | 1    | Seal Kit            |
| ②30:1 |          | 1    | O Ring-Flange Cap   |
| ②30:2 |          | 1    | Seal-Oil            |
| ②30:3 |          | 2    | O Ring-End Cap      |
| 30:4  | 237-78   | 2    | O-Ring              |



### Brake Assembly No. 100-3070-03

| Ref  | Part No. | Qty. | Description       |
|------|----------|------|-------------------|
| 2    | 93-7977  | 1    | Seal              |
| 3    | 93-7978  | 1    | Rod-Pull          |
| 4    | 93-7983  | 2    | Pin-Clevis        |
| 5    | 93-7980  | 2    | Link              |
| 6    | 93-7979  | 2    | Pin-Hitch         |
| 7    | 93-7986  | 4    | Disc-Stationary   |
| 8    | 104-4278 | 3    | Disc-Rotating     |
| 9    | 93-7976  | 1    | Ring-Retaining    |
| 10   | 93-7984  | 1    | Gasket            |
| 11   | 104-4279 | 1    | Actuator-Rotating |
| 12   | 93-7987  | 3    | Spring-Extension  |
| 13   | 93-7985  | 3    | Ball              |
| 14   | 353-990  | 2    | Plug              |
| 14:1 | 237-78   | 1    | O-Ring            |

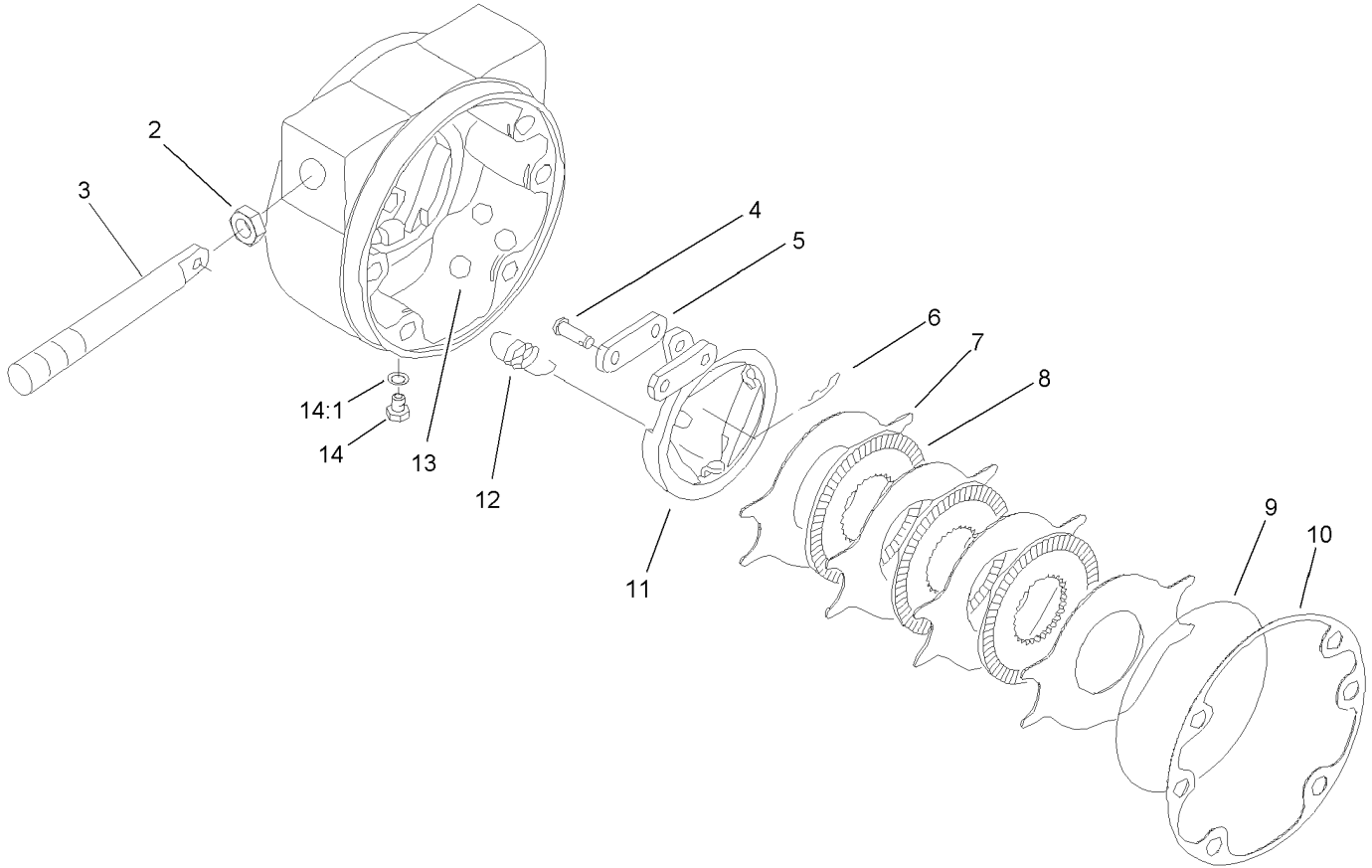




## Hydraulic Motor Assembly No. 92-7385

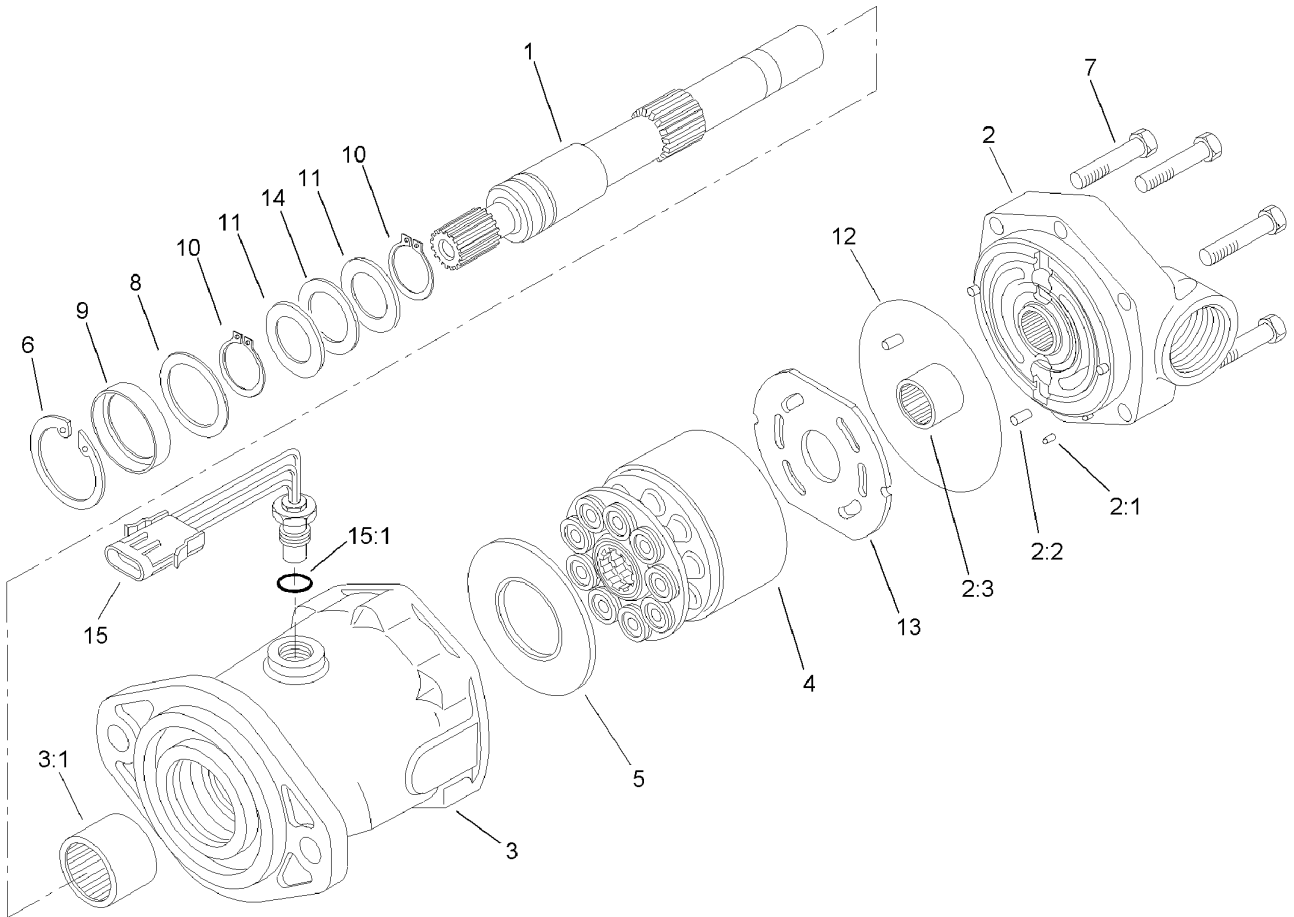
| Ref  | Part No. | Qty. | Description          |
|------|----------|------|----------------------|
| 1    | 94-3004  | 1    | Shaft-Drive, Splined |
| 2    | 94-3005  | 1    | Backplate ASM        |
| 2:1  |          | 1    | Pin-Dowel            |
| 2:2  |          | 3    | Pin-Dowel            |
| 2:3  |          | 1    | Bearing-Needle       |
| 3    | 94-3006  | 1    | Housing ASM          |
| 3:1  |          | 1    | Bearing-Needle       |
| 4    | 76-6910  | 1    | Rotating Kit         |
| 5    | 76-6970  | 1    | Insert-Plate, Cam    |
| 6    | 76-7010  | 1    | Ring-Retaining       |
| 7    | 94-3002  | 6    | Capscrew             |
| 8    | 60-6240  | 1    | Washer               |
| 9    | 105-3331 | 1    | Seal-Shaft           |
| 10   | 76-7000  | 2    | Ring-Retaining       |
| 11   | 76-6950  | 2    | Race-Thrust          |
| 12   | 76-6980  | 1    | O-Ring               |
| 13   | 94-3003  | 1    | Plate-Valve          |
| 14   | 76-6960  | 1    | Bearing-Thrust       |
| 15   | 94-3009  | 1    | Plug                 |
| 15:1 |          | 1    | Seal-Dust            |

|  |  |  |  |
|--|--|--|--|
|  |  |  |  |
|--|--|--|--|



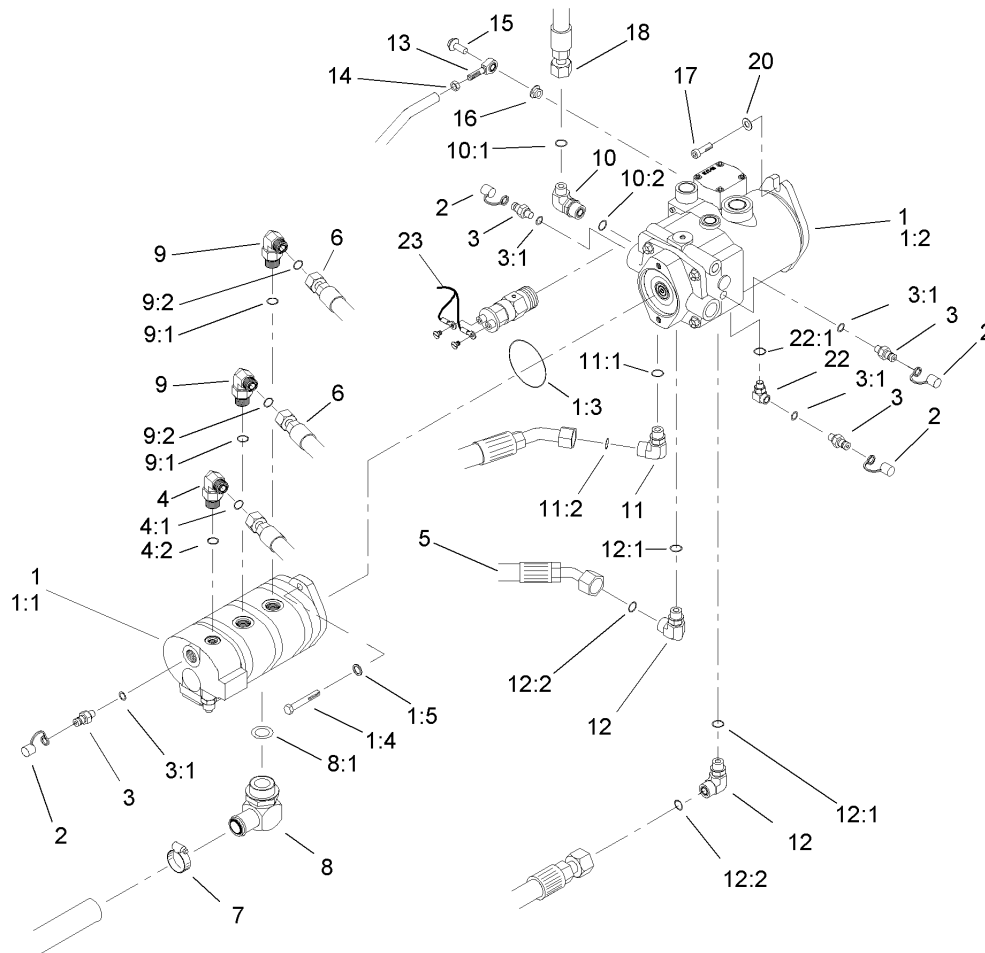
**Brake Assembly No. 100-3069-03**

| Ref  | Part No. | Qty. | Description       |
|------|----------|------|-------------------|
| 2    | 93-7977  | 1    | Seal              |
| 3    | 93-7978  | 1    | Rod-Pull          |
| 4    | 93-7983  | 2    | Pin-Clevis        |
| 5    | 93-7980  | 2    | Link              |
| 6    | 93-7979  | 2    | Pin-Hitch         |
| 7    | 93-7986  | 4    | Disc-Stationary   |
| 8    | 104-4278 | 3    | Disc-Rotating     |
| 9    | 93-7976  | 1    | Ring-Retaining    |
| 10   | 93-7984  | 1    | Gasket            |
| 11   | 104-4280 | 1    | Actuator-Rotating |
| 12   | 93-7987  | 3    | Spring-Extension  |
| 13   | 93-7985  | 3    | Ball              |
| 14   | 353-990  | 2    | Plug              |
| 14:1 | 237-78   | 1    | O-Ring            |



## Hydraulic Motor Assembly No. 93-7476

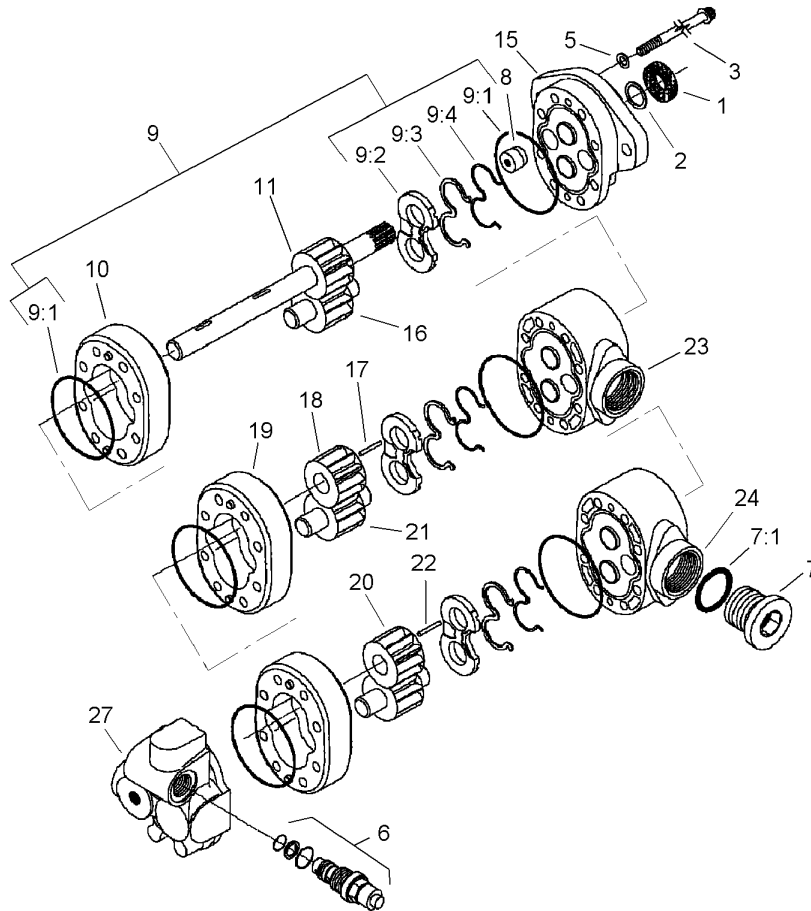
| Ref  | Part No. | Qty. | Description          |
|------|----------|------|----------------------|
| 1    | 94-3004  | 1    | Shaft-Drive, Splined |
| 2    | 94-3005  | 1    | Backplate ASM        |
| 2:1  |          | 1    | Pin-Dowel            |
| 2:2  |          | 3    | Pin-Dowel            |
| 2:3  |          | 1    | Bearing-Needle       |
| 3    | 94-3006  | 1    | Housing ASM          |
| 3:1  |          | 1    | Bearing-Needle       |
| 4    | 76-6910  | 1    | Rotating Kit         |
| 5    | 76-6970  | 1    | Insert-Plate, Cam    |
| 6    | 76-7010  | 1    | Ring-Retaining       |
| 7    | 94-3002  | 6    | Capscrew             |
| 8    | 60-6240  | 1    | Washer               |
| 9    | 105-3331 | 1    | Seal-Shaft           |
| 10   | 76-7000  | 2    | Ring-Retaining       |
| 11   | 76-6950  | 2    | Race-Thrust          |
| 12   | 76-6980  | 1    | O-Ring               |
| 13   | 94-3003  | 1    | Plate-Valve          |
| 14   | 76-6960  | 1    | Bearing-Thrust       |
| 15   | 94-3010  | 1    | Sensor-Speed, Pickup |
| 15:1 |          | 1    | Seal-Dust            |



## Hydraulic Pump Installation

| Ref  | Part No. | Qty. | Description         |
|------|----------|------|---------------------|
| 1    |          | 1    | Pump ASM            |
| 1:1  | 105-3317 | 1    | Pump-Gear           |
| 1:2  | 110-0006 | 1    | Pump-Piston         |
| 1:3  | 60-3520  | 1    | O-Ring              |
| 1:4  | 323-7    | 2    | Screw-HH            |
| 1:5  | 105-9762 | 2    | Washer              |
| 2    | 354-79   | 4    | Cap-Dust            |
| 3    | 354-77   | 4    | Fitting-Quick       |
| 3:1  | 237-78   | 1    | O-Ring              |
| 4    | 340-77   | 1    | Fitting-HYD, 90 DEG |
| 4:1  | 237-22   | 1    | O-Ring              |
| 4:2  | 237-42   | 1    | O-Ring              |
| 5    | 105-7921 | 1    | HYD Hose ASM        |
| 6    | 105-7927 | 2    | HYD Hose ASM        |
| 7    | 2412-111 | 1    | Clamp               |
| 8    | 92-7526  | 1    | Fitting-HYD, 90 DEG |
| 8:1  | 237-101  | 1    | O-Ring              |
| 9    | 340-105  | 2    | Fitting-HYD, 90 DEG |
| 9:1  | 237-80   | 1    | O-Ring              |
| 9:2  | 237-30   | 1    | O-Ring              |
| 10   | 340-15   | 1    | Fitting-HYD, 90 DEG |
| 10:1 | 237-58   | 1    | O-Ring              |
| 10:2 | 237-146  | 1    | O-Ring              |
| 11   | 104-3796 | 1    | Fitting-HYD, 90 DEG |

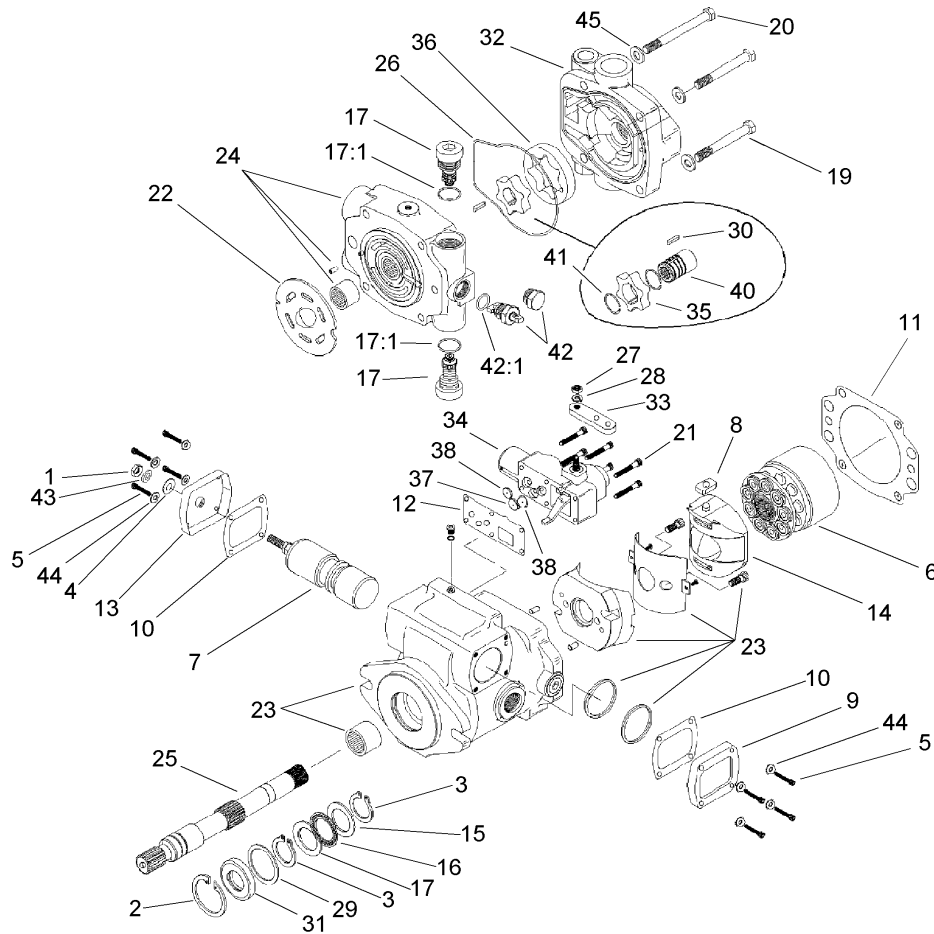
| Ref  | Part No. | Qty. | Description          |
|------|----------|------|----------------------|
| 11:1 | 237-81   | 1    | O-Ring               |
| 11:2 | 340-65   | 1    | O-Ring               |
| 12   | 340-129  | 2    | Fitting-HYD, 90 DEG  |
| 12:1 | 237-146  | 1    | O-Ring               |
| 12:2 | 340-65   | 1    | O-Ring               |
| 13   | 2411-36  | 1    | Bearing-End, Rod     |
| 14   | 3220-3   | 1    | Nut-HJ               |
| 15   | 3234-11  | 1    | Screw-HHF            |
| 16   | 3296-59  | 1    | Nut-Lock, NI         |
| 17   | 325-6    | 2    | Screw-HH             |
| 18   | 104-3789 | 1    | Filter Hose ASM      |
| 20   | 87-7270  | 2    | Washer-Thrust        |
| 22   | 75-6640  | 1    | Fitting-HYD, Special |
| 22:1 | 237-78   | 1    | O-Ring               |
| 23   | 105-0122 | 1    | Harness-Wire         |



### Gear Pump Assembly No. 105-3317

| Ref  | Part No. | Qty. | Description      |
|------|----------|------|------------------|
| 1    | 49-2640  | 1    | Seal-Shaft       |
| 2    | 60-5890  | 1    | Washer           |
| 3    | 105-2898 | 8    | Screw-Cap        |
| 5    | 74-8920  | 4    | Washer-Copper    |
| 6    | 105-2891 | 1    | Relief Valve ASM |
| 7    | 94-3013  | 1    | Plug             |
| ⑦7:1 |          | 1    | Seal-Dust        |
| 8    | 94-3011  | 1    | Plug             |
| 9    | 94-3015  | 1    | Seal Kit         |
| ⑨9:1 |          | 3    | Gasket-Back Up   |
| ⑨9:2 |          | 3    | Seal-Balance     |
| 9:3  | 49-2640  | 1    | Seal-Shaft       |
| 9:4  | 60-5890  | 1    | Washer           |
| ⑨9:5 |          | 6    | Seal-Dust        |
| ⑨9:6 |          | 1    | Plug             |
| ⑨9:7 |          | 1    | Seal-Dust        |
| ⑨9:8 |          | 3    | Plate-Wear       |
| ⑨9:9 |          | 4    | Screw            |
| ⑩10  |          | 1    | Body             |
| ⑩11  |          | 1    | Drive Gear ASM   |
| ⑩15  |          | 1    | Front Plate ASM  |
| ⑩16  |          | 1    | Gear-Idler       |
| ⑩17  |          | 1    | Key              |
| ⑩18  |          | 1    | Gear             |

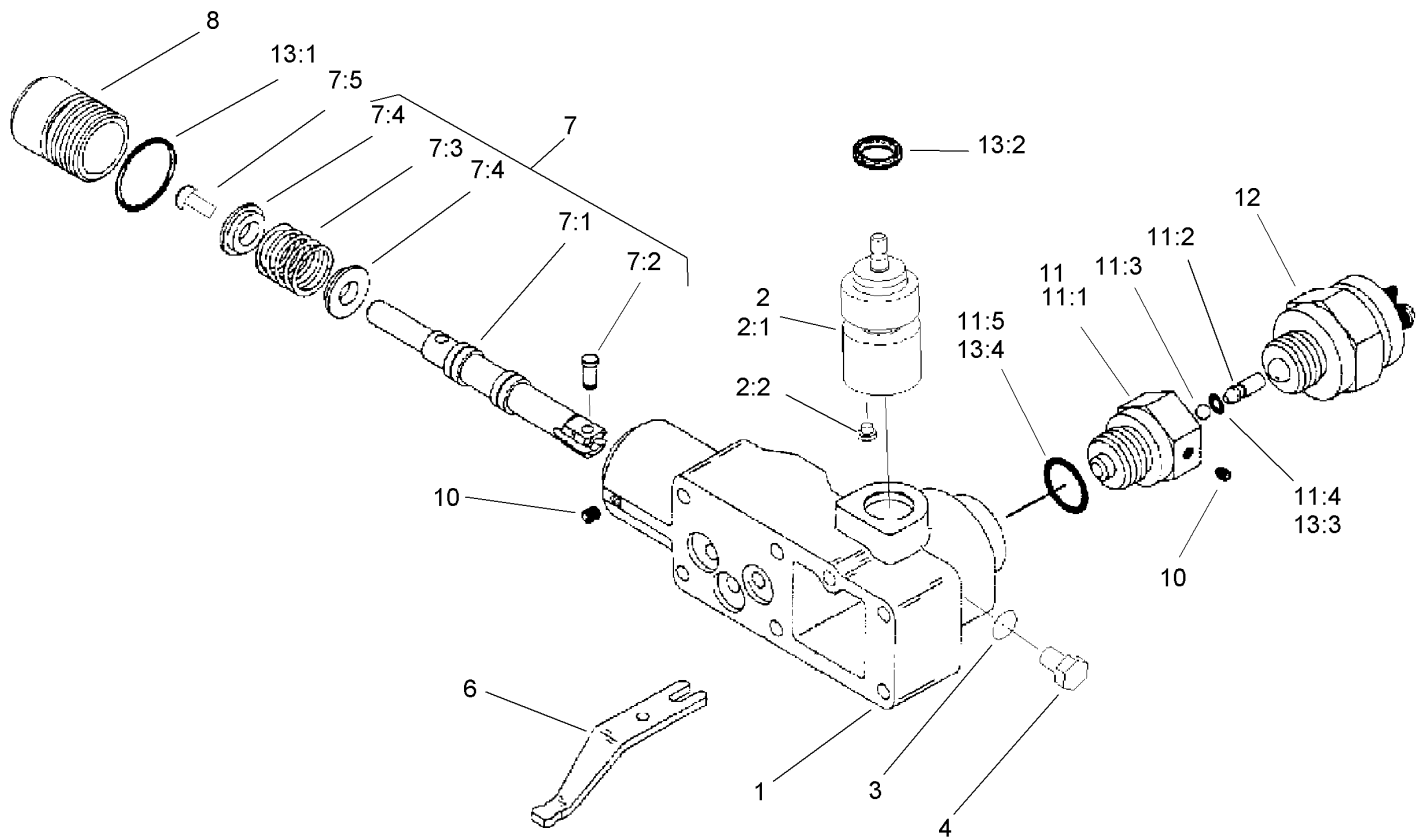
| Ref | Part No. | Qty. | Description     |
|-----|----------|------|-----------------|
| ⑩19 |          | 1    | Body            |
| ⑩20 |          | 1    | Gear            |
| ⑩21 |          | 1    | Gear-Idler      |
| ⑩22 |          | 1    | Key             |
| ⑩23 |          | 1    | Plate-Adaptor   |
| ⑩24 |          | 1    | Plate-Adaptor   |
| ⑩27 |          | 1    | Body            |
| ⑩99 | 107-4328 | 1    | Front Plate Kit |



## Piston Pump Assembly No. 110-0006

| Ref   | Part No. | Qty. | Description             |
|-------|----------|------|-------------------------|
| 1     | 3220-2   | 1    | Nut-Jam                 |
| 2     | 60-6260  | 1    | Ring                    |
| 3     | 76-7000  | 2    | Ring-Retaining          |
| 4     | 94-3027  | 1    | Washer-Seal             |
| 5     | 93-6337  | 8    | Screw                   |
| 6     | 93-6322  | 1    | Rotating Kit            |
| 7     | 105-4572 | 1    | Servo Piston ASM        |
| 8     | 94-3032  | 1    | Follower-Piston         |
| 9     | 94-3033  | 1    | Plate-Cover             |
| 10    | 93-6339  | 2    | Gasket                  |
| 11    | 105-2900 | 1    | Gasket-Housing          |
| 12    | 105-2901 | 1    | Gasket-Housing, Control |
| 13    | 105-9853 | 1    | Plate-Cover             |
| 14    | 94-3026  | 1    | Camplate ASM            |
| 15    | 76-6950  | 2    | Race-Thrust             |
| 16    | 76-6960  | 1    | Bearing-Thrust          |
| 17    | 105-2858 | 2    | Valve-Relief            |
| ●17:1 |          | 1    | Seal-Dust               |
| 19    | 323-15   | 2    | Screw-HH                |
| 20    | 323-16   | 2    | Screw-HH                |
| 21    | 93-6324  | 6    | Screw                   |
| 22    | 105-2902 | 1    | Plate-Valve             |
| 23    | 105-2903 | 1    | Housing                 |
| 24    | 105-8149 | 1    | Endcover ASM            |

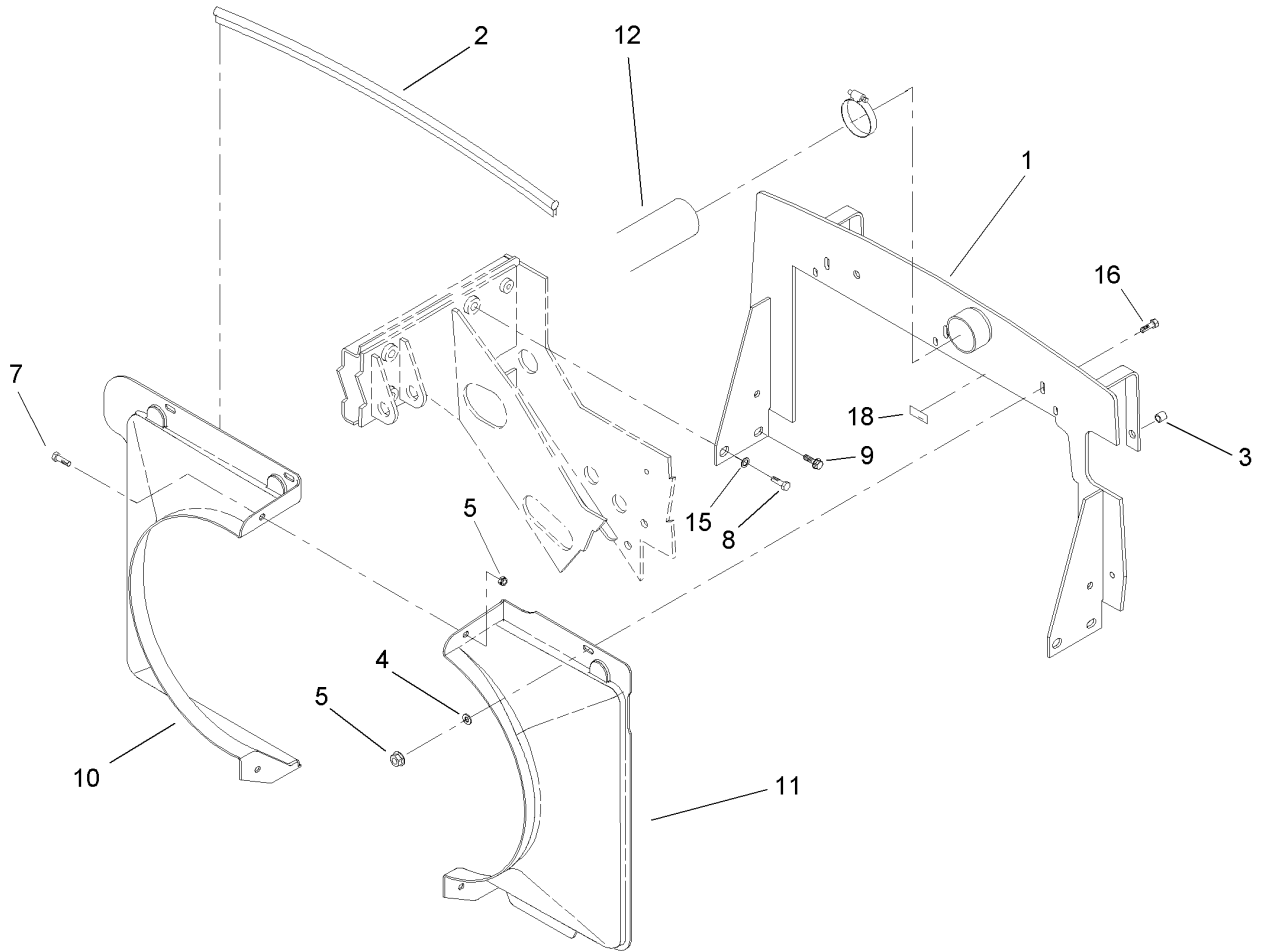
| Ref   | Part No. | Qty. | Description              |
|-------|----------|------|--------------------------|
| 25    | 94-3020  | 1    | Shaft-Drive              |
| 26    | 105-2905 | 1    | O-Ring                   |
| 27    | 3217-5   | 1    | Nut-Hex                  |
| 28    | 3253-3   | 1    | Washer-Lock              |
| 29    | 60-6240  | 1    | Washer                   |
| 30    | 107-4442 | 1    | Key                      |
| 31    | 105-3331 | 1    | Seal-Shaft               |
| 32    | 105-2907 | 1    | Charge Pump Adapter ASM  |
| 33    | 94-3031  | 1    | Arm-Control              |
| 34    | 108-1503 | 1    | Manual Servo Control ASM |
| 35    | 107-4443 | 1    | Gerotor, Inner Ring      |
| 36    | 99-8707  | 1    | Gerotor-Outer            |
| 37    | 105-2909 | 1    | Orifice-Control          |
| 38    | 105-2910 | 2    | Orifice-Valve, Control   |
| 40    | 107-4444 | 1    | Coupler                  |
| 41    | 105-2912 | 2    | Ring-Retaining           |
| 42    | 105-2913 | 1    | Valve-Bypass             |
| ●42:1 |          | 1    | Seal-Dust                |
| 43    | 94-3030  | 1    | Washer                   |
| 44    | 93-6336  | 8    | Washer                   |
| 45    | 3256-24  | 4    | Washer-Flat              |



### Control Assembly No. 108-1503

| Ref  | Part No. | Qty. | Description             |
|------|----------|------|-------------------------|
| 1    |          | 1    | Housing-Control         |
| 2    | 108-7099 | 1    | Input Control Shaft ASM |
| 2:1  |          | 1    | Shaft                   |
| 2:2  |          | 1    | Pin                     |
| 3    |          | 1    | Seal-Dust               |
| 4    |          | 1    | Plug                    |
| 6    |          | 1    | Link-Feedback           |
| 7    | 108-7098 | 1    | Valve Spool ASM         |
| 7:1  |          | 1    | Valve-Spool             |
| 7:2  |          | 1    | Pin-Dowel               |
| 7:3  |          | 1    | Spring                  |
| 7:4  |          | 2    | Retainer                |
| 7:5  |          | 1    | Screw                   |
| 8    |          | 1    | Plug                    |
| 10   |          | 2    | Screw-Set               |
| 11   | 108-8003 | 1    | Adaptor ASM             |
| 11:1 |          | 1    | Adaptor-Neutral Lockout |
| 11:2 |          | 1    | Pin                     |
| 11:3 |          | 1    | Ball                    |
| 11:4 |          | 1    | Seal-Dust               |
| 11:5 |          | 1    | Seal-Dust               |
| 12   | 94-3043  | 1    | Switch-Safety, Neutral  |
| 13   | 94-3044  | 1    | Seal Kit                |
| 13:1 |          | 1    | Seal-Dust               |

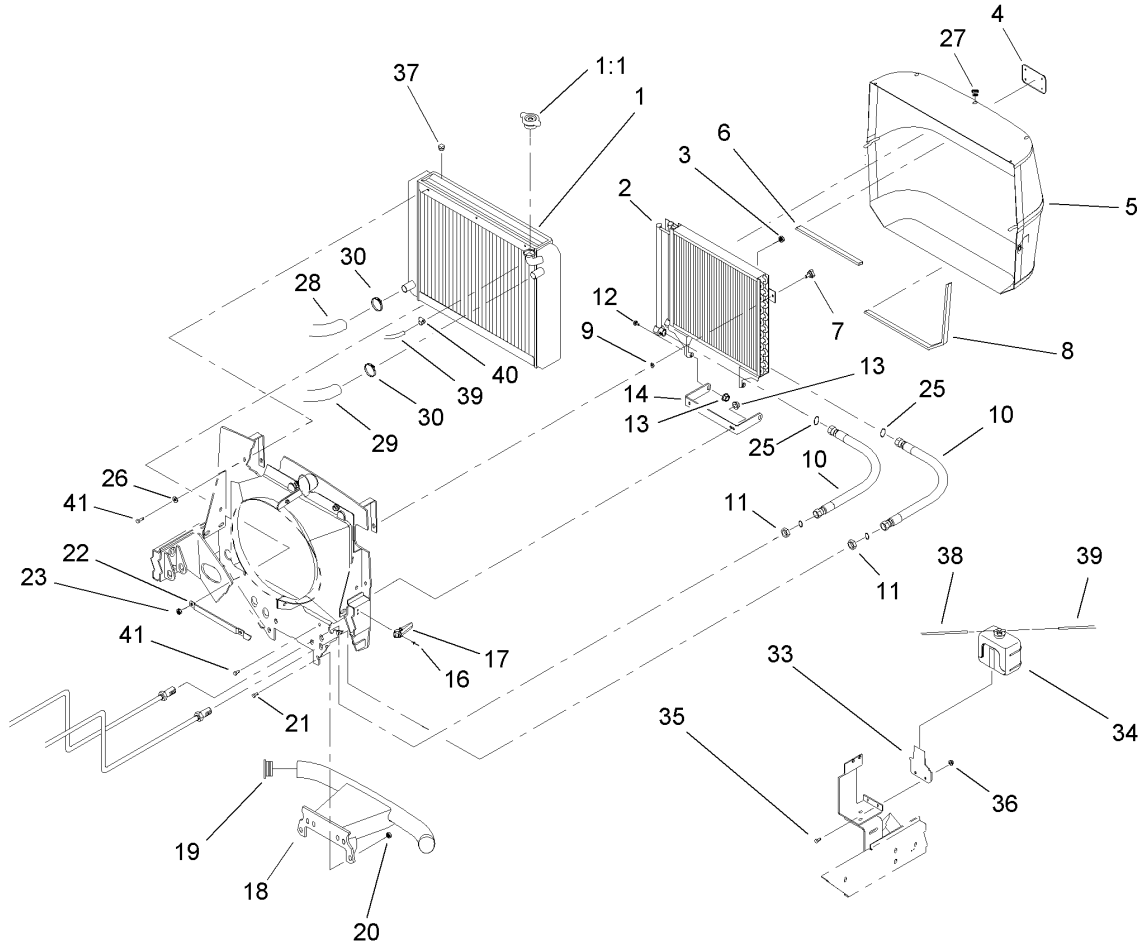
| Ref  | Part No. | Qty. | Description |
|------|----------|------|-------------|
| 13:2 |          | 1    | Seal-Dust   |
| 13:3 |          | 1    | Seal-Wiper  |
| 13:4 |          | 1    | Seal-Dust   |
| 13:5 |          | 1    | Seal-Dust   |



### Radiator Support and Shroud Assembly

| Ref | Part No.    | Qty. | Description        |
|-----|-------------|------|--------------------|
| 1   | 104-3783-03 | 1    | Support-Radiator   |
| 2   | 93-7553     | 1    | Seal-Hood          |
| 3   | 32148-10    | 2    | Insert-Nut         |
| 4   | 3256-56     | 3    | Washer-Flat        |
| 5   | 32128-20    | 5    | Nut-HF             |
| 7   | 3234-5      | 2    | Screw-HHF          |
| 8   | 33118-025   | 2    | Screw-HH           |
| 9   | 3234-1      | 2    | Screw-HHF          |
| 10  | 105-0104    | 1    | Shroud-Fan, RH     |
| 11  | 105-0103    | 1    | Shroud-Fan, LH     |
| 12  | 104-5209    | 1    | Hose-Cleaner, Air  |
| 15  | 3256-27     | 2    | Washer-Flat        |
| 16  | 3230-2      | 3    | Bolt-CARR          |
| 18  | 93-6681     | 1    | Decal-Warning, Fan |

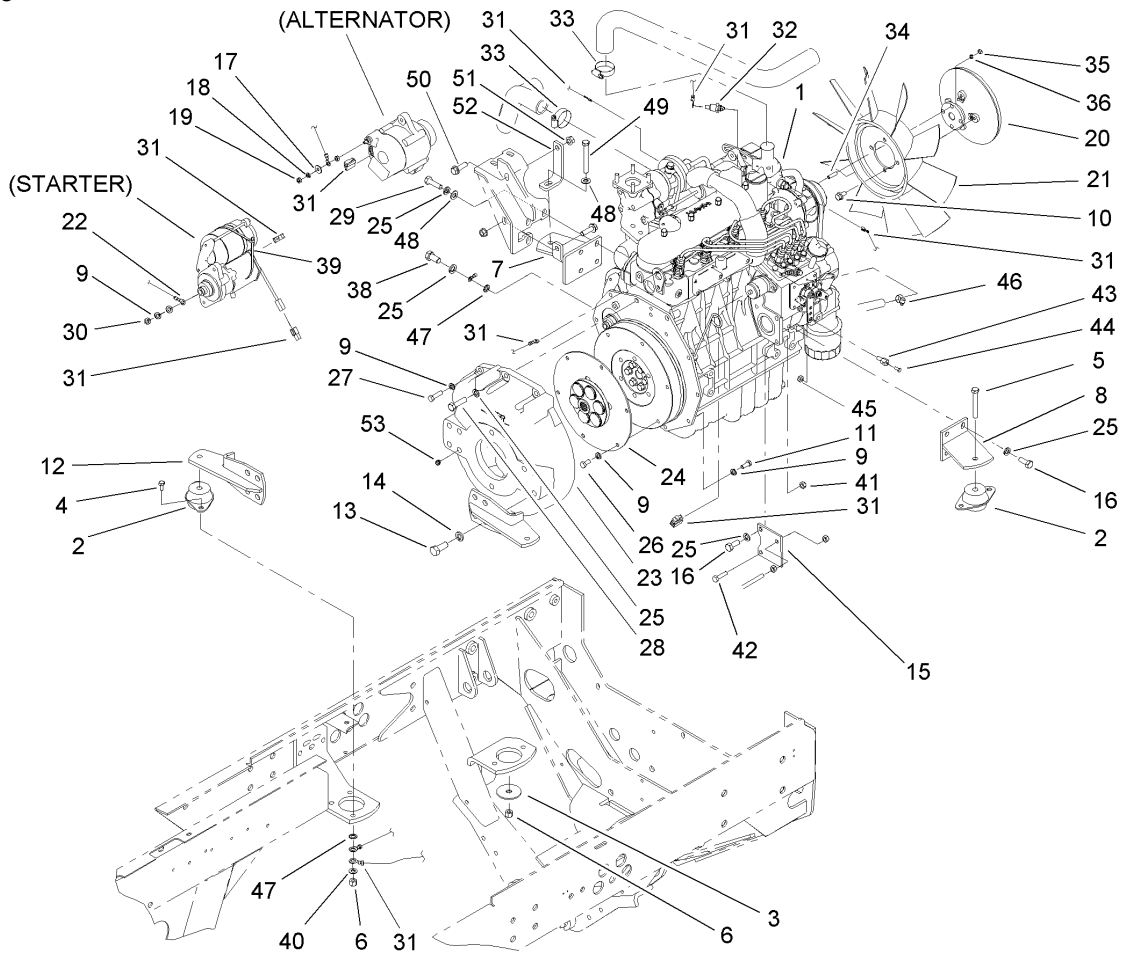




## Radiator and Screen Assembly

| Ref | Part No.    | Qty. | Description                  |
|-----|-------------|------|------------------------------|
| 1   | 110-0003    | 1    | Radiator ASM                 |
| 1:1 | 93-5957     | 1    | Cap-Radiator                 |
| 2   | 82-3740     | 1    | Cooler-Oil                   |
| 3   | 94-2638     | 4    | Nut-Tinnerman                |
| 4   | 93-6028     | 1    | Plate-Logo                   |
| 5   | 92-7505-03  | 1    | Screen ASM                   |
| 6   | 92-7631     | 1    | Seal-Screen                  |
| 7   | 77-3620     | 2    | Knob-Retainer                |
| 8   | 93-4208     | 1    | Seal-Screen, Strip           |
| 9   | 32151-72    | 2    | Ring-Retaining               |
| 10  | 92-7535     | 2    | Hose ASM                     |
| 11  | 340-74      | 2    | Locknut-Bulkhead             |
| 12  | 37-8771     | 2    | Bolt-Shoulder                |
| 13  | 32128-20    | 4    | Nut-HF                       |
| 14  | 92-7516-03  | 1    | Bracket-Support, Cooler Base |
| 16  | 3269-4      | 4    | Rivet-Pop                    |
| 17  | 105-9296    | 2    | Latch-Draw                   |
| 18  | 100-3776-03 | 1    | Bumper-Short ASM             |
| 19  | 2410-42     | 2    | Cap-End                      |
| 20  | 3296-23     | 4    | Nut-Lock, NI                 |
| 21  | 325-6       | 4    | Screw-HH                     |
| 22  | 92-7416-03  | 1    | Strap-Radiator               |
| 23  | 3296-29     | 3    | Nut-Lock, NI                 |
| 25  | 237-65      | 2    | O-Ring                       |

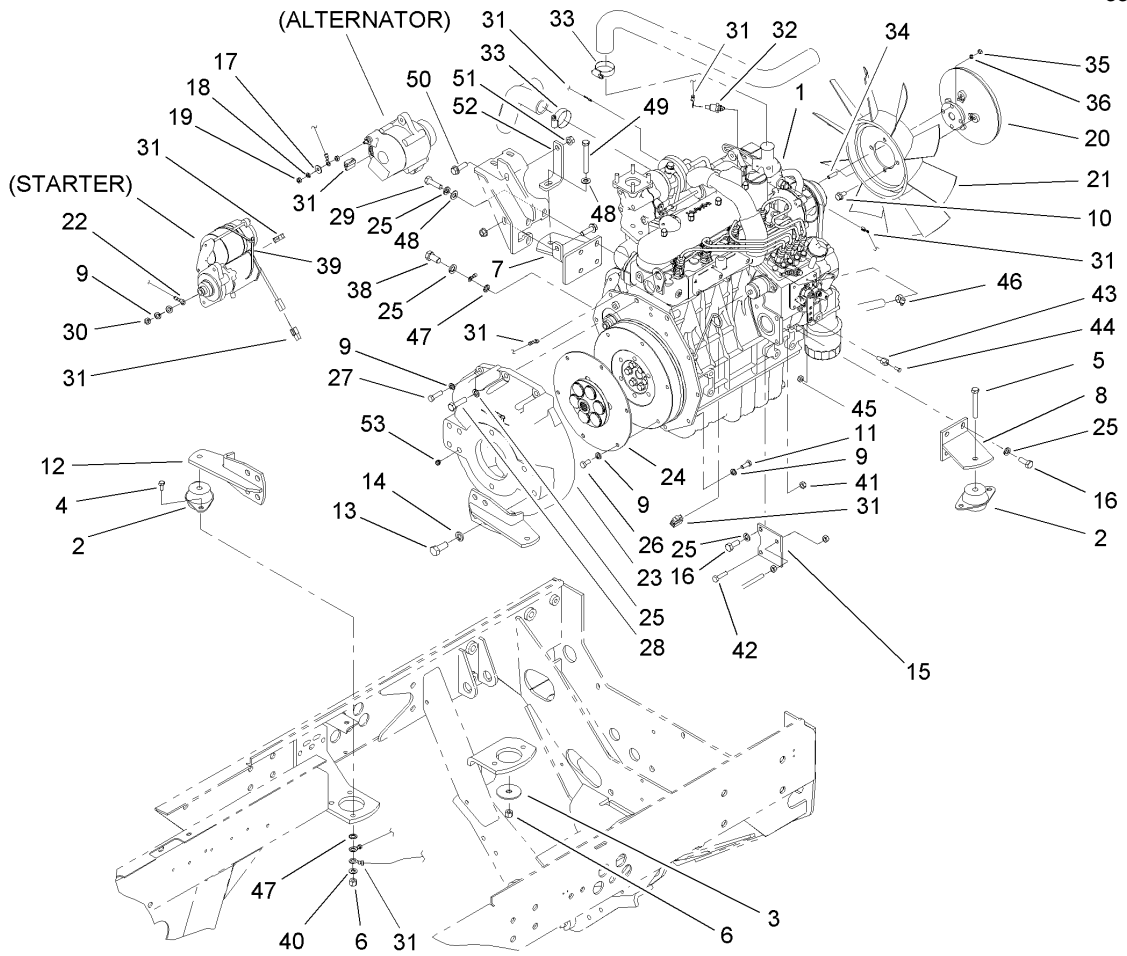
| Ref | Part No.   | Qty. | Description              |
|-----|------------|------|--------------------------|
| 26  | 3256-23    | 3    | Washer-Flat              |
| 27  | 2410-64    | 3    | Plug-Button              |
| 28  | 104-3781   | 1    | Hose-Radiator, Lower     |
| 29  | 104-3782   | 1    | Hose-Radiator, Upper     |
| 30  | 2412-34    | 2    | Clamp-Hose               |
| 33  | 98-4576-03 | 1    | Bracket-Reservoir, Water |
| 34  | 104-9318   | 1    | Bottle-Overflow          |
| 35  | 321-4      | 2    | Screw-HH                 |
| 36  | 3296-42    | 2    | Nut-Lock, NI             |
| 37  | 281-13     | 1    | Plug-Pipe                |
| 38  | 98-7895    | 1    | Tube                     |
| 39  | 104-4848   | 1    | Hose-Fuel                |
| 40  | 2412-108   | 2    | Clamp-Worm               |
| 41  | 3234-5     | 5    | Screw-HHF                |



## Engine Installation Assembly

| Ref | Part No.    | Qty. | Description                |
|-----|-------------|------|----------------------------|
| 1   | 107-2395    | 1    | Engine-Kubota              |
| 2   | 53-9680     | 4    | Mount-Engine               |
| 3   | 87-5100     | 4    | Washer-Snubbing            |
| 4   | 323-7       | 7    | Screw-HH                   |
| 5   | 323-13      | 3    | Screw-HH                   |
| 6   | 3296-39     | 11   | Nut-Lock, NI               |
| 7   | 105-7914-03 | 1    | Bracket-Engine             |
| 8   | 104-3762-03 | 1    | Bracket-Engine, Front (LH) |
| 9   | 42-9850     | 15   | Washer-Lock, Spring        |
| 10  | 3234-7      | 4    | Screw-HHF                  |
| 11  | 33114-020   | 2    | Screw-HH                   |
| 12  | 104-3764-03 | 2    | Rear Engine Plate ASM      |
| 13  | 325-5       | 8    | Screw-HH                   |
| 14  | 3253-7      | 8    | Washer-Lock                |
| 15  | 104-3778-03 | 1    | Plate-Throttle             |
| 16  | 63-7790     | 6    | Screw-Cap                  |
| 17  | 3256-78     | 1    | Washer-Flat                |
| 18  | 43-5930     | 1    | Washer-Spring              |
| 19  | 48-7890     | 1    | Nut                        |
| 20  | 105-0129    | 1    | Clutch-Fan                 |
| 21  | 74-3650     | 1    | Fan                        |
| 22  | 99-3441     | 1    | Harness-Wire, Fusible Link |
| 23  | 105-0100    | 1    | Flywheel Housing ASM       |
| 24  | 105-0101    | 1    | Flywheel Coupling ASM      |

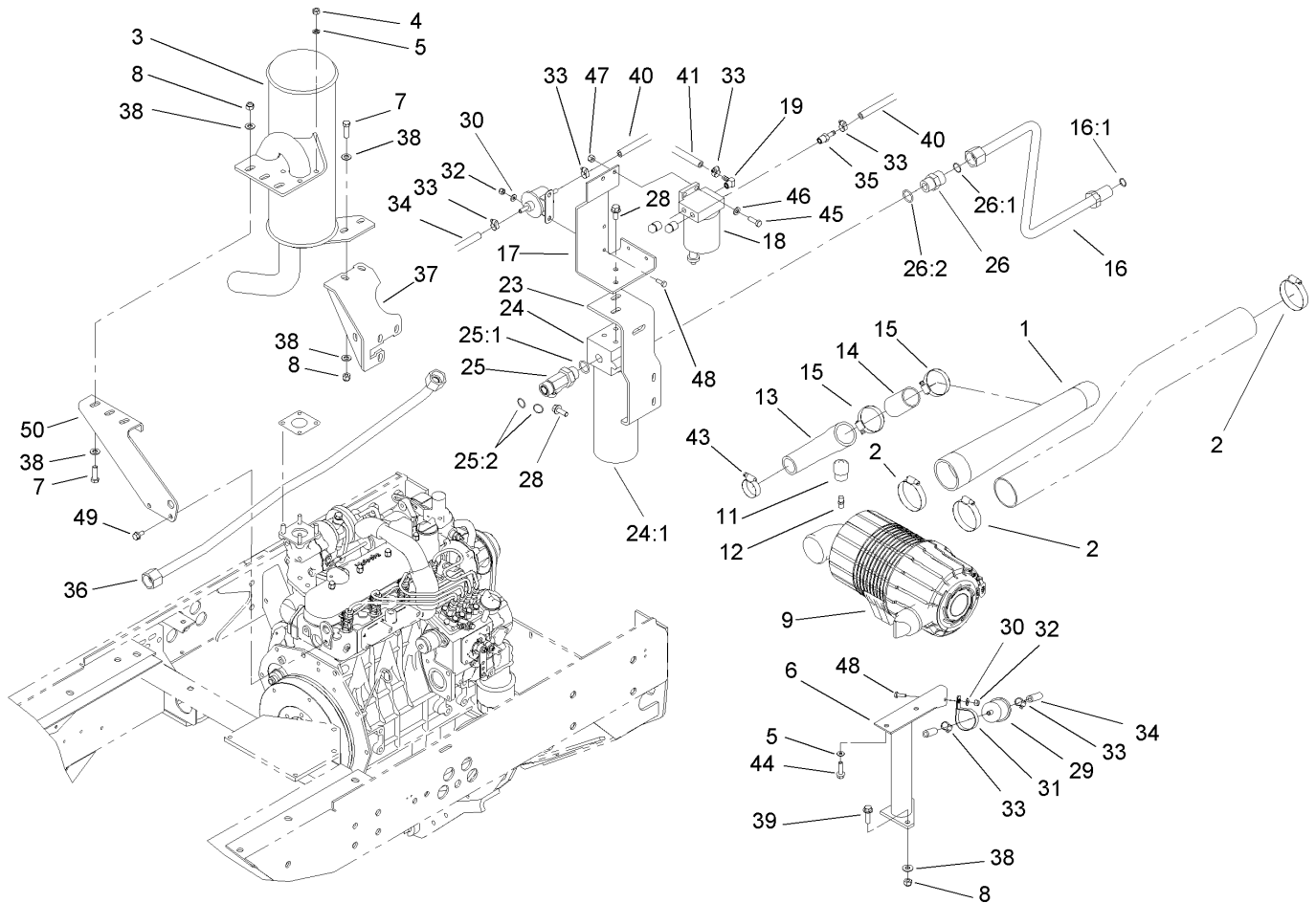
| Ref | Part No.  | Qty. | Description         |
|-----|-----------|------|---------------------|
| 25  | 42-9600   | 12   | Washer-Lock, Spring |
| 26  | 33114-016 | 6    | Screw-HH            |
| 27  | 33114-030 | 6    | Screw-HH            |
| 28  | 87-3700   | 2    | Screw-Cap, HH       |
| 29  | 99-6058   | 3    | Screw-Cap           |
| 30  | 57-6390   | 1    | Nut-Jam             |
| 31  | 106-5972  | 1    | Harness-Wire        |
| 32  | 98-9346   | 1    | Sender-Temperature  |
| 33  | 2412-34   | 2    | Clamp-Hose          |
| 34  | 104-5222  | 4    | Stud                |
| 35  | 33013-00  | 4    | Nut-Hex             |
| 36  | 3253-18   | 4    | Washer-Lock         |
| 38  | 43-0090   | 1    | Screw-HH            |
| 39  | 3290-379  | 2    | Tie-Cable           |
| 40  | 3256-3    | 1    | Washer-Flat         |
| 41  | 33024-00  | 1    | Nut-Lock            |
| 42  | 33114-030 | 1    | Screw-HH            |
| 43  | 98-9311   | 1    | Swivel-Throttle     |
| 44  | 25-8640   | 1    | Screw-HH            |
| 45  | 3296-20   | 1    | Nut-Lock, NI        |
| 46  | 2412-108  | 2    | Clamp-Worm          |
| 47  | 3255-9    | 2    | Washer-Lock         |
| 48  | 48-9220   | 4    | Washer              |
| 49  | 323-14    | 1    | Screw-HH            |



**Engine Installation Assembly (continued)**

| Ref | Part No.    | Qty. | Description     |
|-----|-------------|------|-----------------|
| 50  | 66-9300     | 2    | Screw-HF        |
| 51  | 32128-21    | 2    | Nut-HF          |
| 52  | 105-7931-03 | 1    | Bracket-Support |
| 53  | 3248-3      | 2    | Screw-Set, HSH  |

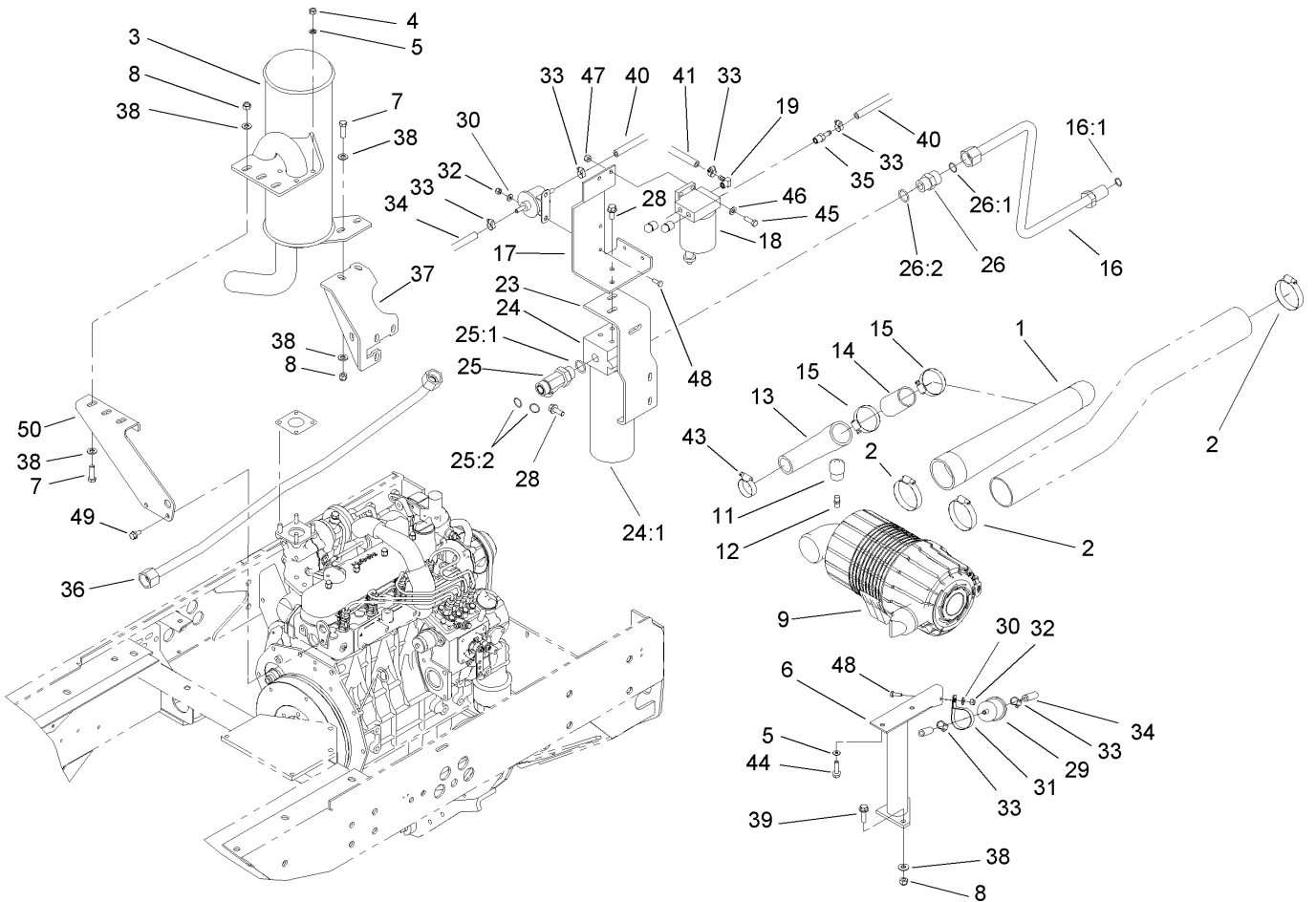
|  |  |  |  |
|--|--|--|--|
|  |  |  |  |
|--|--|--|--|



## Hydraulic Filter, Filter Pump, Fuel Filter and Air Cleaner Assembly

| Ref  | Part No.    | Qty. | Description             |
|------|-------------|------|-------------------------|
| 1    | 104-5208    | 1    | Hose-Turbo, Air Cleaner |
| 2    | 2412-125    | 3    | Clamp-Hose              |
| 3    | 105-9260    | 1    | Muffler ASM             |
| 4    | 33014-00    | 4    | Nut-Hex                 |
| 5    | 42-9850     | 6    | Washer-Lock, Spring     |
| 6    | 106-7792-03 | 1    | Air Filter Support ASM  |
| 7    | 323-7       | 5    | Screw-HH                |
| 8    | 3296-39     | 7    | Nut-Lock, NI            |
| 9    | 100-2597    | 1    | Air Filter ASM          |
| 11   | 93-9164     | 1    | Indicator-Mini          |
| 12   | 94-1416     | 1    | Indicator Adapter ASM   |
| 13   | 104-5207    | 1    | Hose-Turbo              |
| 14   | 104-5214    | 1    | Spacer-Tubular          |
| 15   | 2412-92     | 2    | Clamp-Hose              |
| 16   | 104-3742    | 1    | HYD Filter Tube ASM     |
| 16:1 | 237-65      | 1    | O-Ring                  |
| 17   | 104-3776-03 | 1    | Bracket-Separator, Fuel |
| 18   | 98-9305     | 1    | Water / Fuel Filter ASM |
| 19   | 353-781     | 1    | Fitting-Elbow           |
| 23   | 104-5213-03 | 1    | Bracket-Filter, Oil     |
| 24   | 94-2620     | 1    | Oil Filter ASM          |
| 24:1 | 94-2621     | 1    | Element-Filter          |
| 25   | 340-148     | 1    | Fitting-Tee             |
| 25:1 | 237-81      | 1    | O-Ring                  |

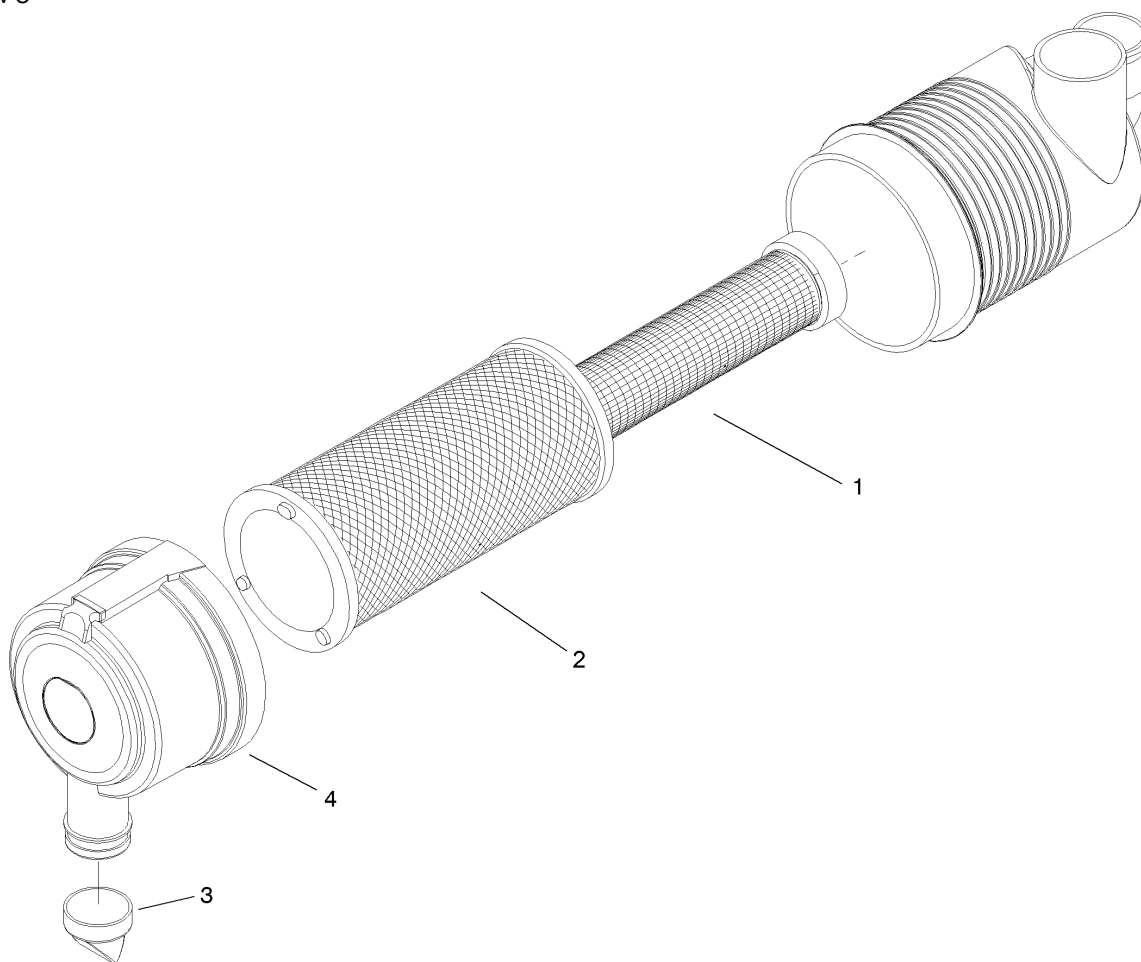
| Ref  | Part No.    | Qty. | Description           |
|------|-------------|------|-----------------------|
| 25:2 | 237-58      | 2    | O-Ring                |
| 26   | 340-9       | 1    | Fitting-HYD, Straight |
| 26:1 | 237-58      | 1    | O-Ring                |
| 26:2 | 237-81      | 1    | O-Ring                |
| 28   | 3234-25     | 4    | Screw-HHF             |
| 29   | 98-7612     | 1    | Filter-Fuel           |
| 30   | 3256-1      | 3    | Washer-Flat           |
| 31   | 2412-147    | 1    | Clamp                 |
| 32   | 3296-42     | 3    | Nut-Lock, NI          |
| 33   | 2412-108    | 6    | Clamp-Worm            |
| 34   | 93-2043     | 1    | Hose-Fuel             |
| 35   | 353-783     | 1    | Fitting-Straight      |
| 36   | 104-3749    | 1    | HYD Tube ASM          |
| 37   | 105-7910-03 | 1    | Support-Muffler       |
| 38   | 3256-56     | 12   | Washer-Flat           |
| 39   | 3234-24     | 2    | Screw-HHF             |
| 40   | 92-9283     | 1    | Hose-Fuel             |
| 41   | 63-7627     | 1    | Hose-Fuel             |
| 43   | 2412-3      | 1    | Clamp-Hose            |
| 44   | 33104-030   | 2    | Screw-HHF             |
| 45   | 322-5       | 2    | Screw-HH              |
| 46   | 3256-23     | 2    | Washer-Flat           |
| 47   | 3296-29     | 2    | Nut-Lock, NI          |
| 48   | 321-4       | 3    | Screw-HH              |



### Hydraulic Filter, Filter Pump, Fuel Filter and Air Cleaner Assembly (continued)

| Ref | Part No.    | Qty. | Description            |
|-----|-------------|------|------------------------|
| 49  | 33114-016   | 2    | Screw-HH               |
| 50  | 105-9258-03 | 1    | Bracket-Muffler, Upper |

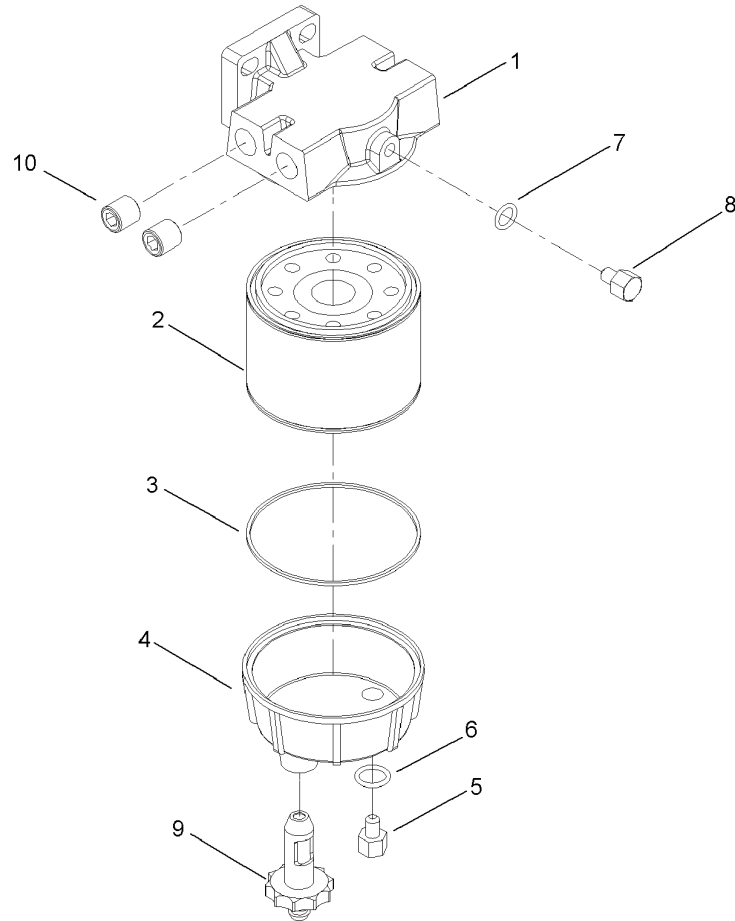
|  |  |  |  |
|--|--|--|--|
|  |  |  |  |
|--|--|--|--|



## Air Filter Assembly No. 100-2597

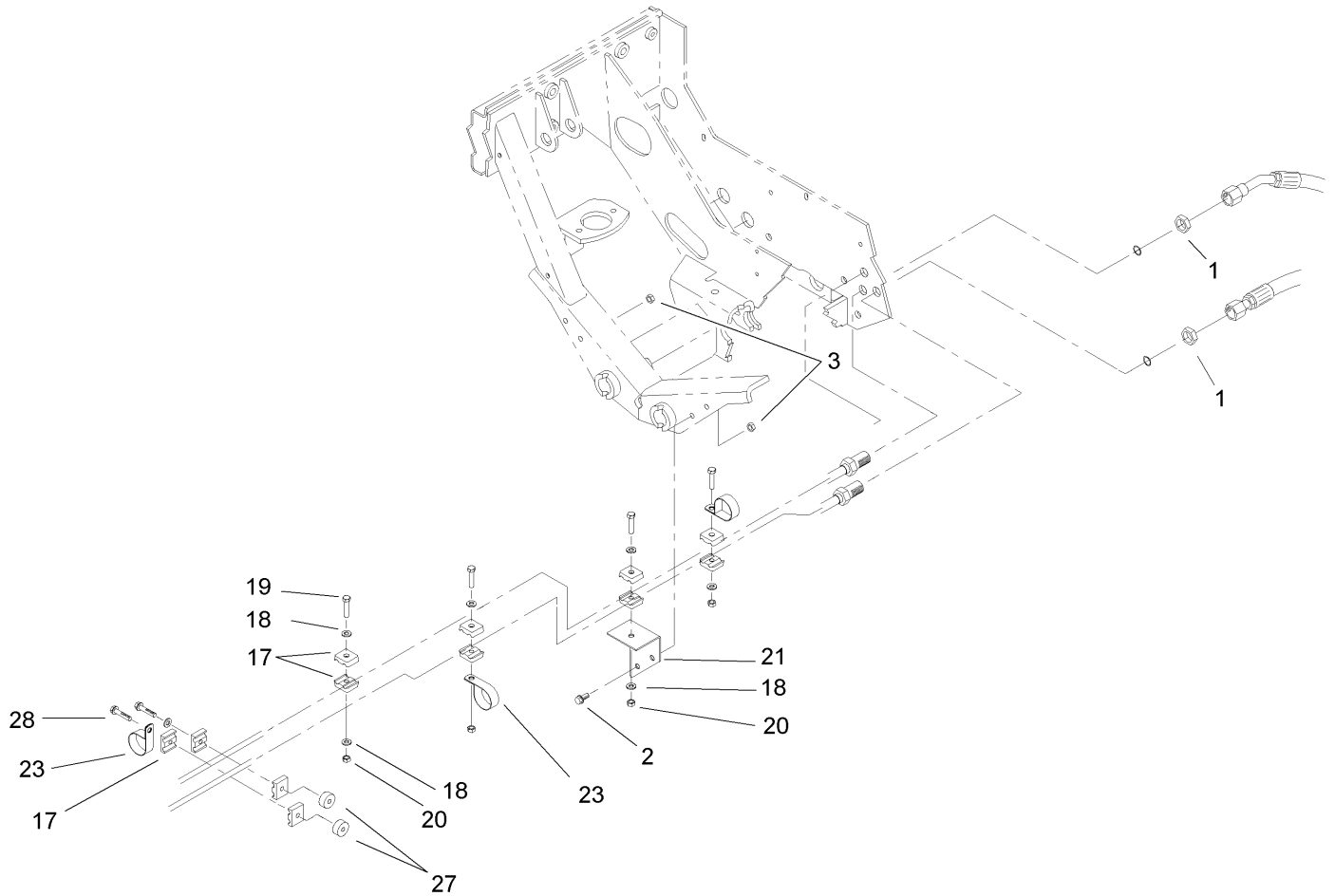
| Ref | Part No. | Qty. | Description    |
|-----|----------|------|----------------|
| 1   | 108-3812 | 1    | Filter-Air     |
| 2   | 108-3813 | 1    | Filter-Air     |
| 3   | 87-9400  | 1    | Valve-Vacuator |
| 4   | 108-1448 | 1    | Cover ASM      |

| Ref | Part No. | Qty. | Description |
|-----|----------|------|-------------|
|     |          |      |             |
|     |          |      |             |
|     |          |      |             |
|     |          |      |             |
|     |          |      |             |



## Water / Fuel Filter Assembly No. 98-9305

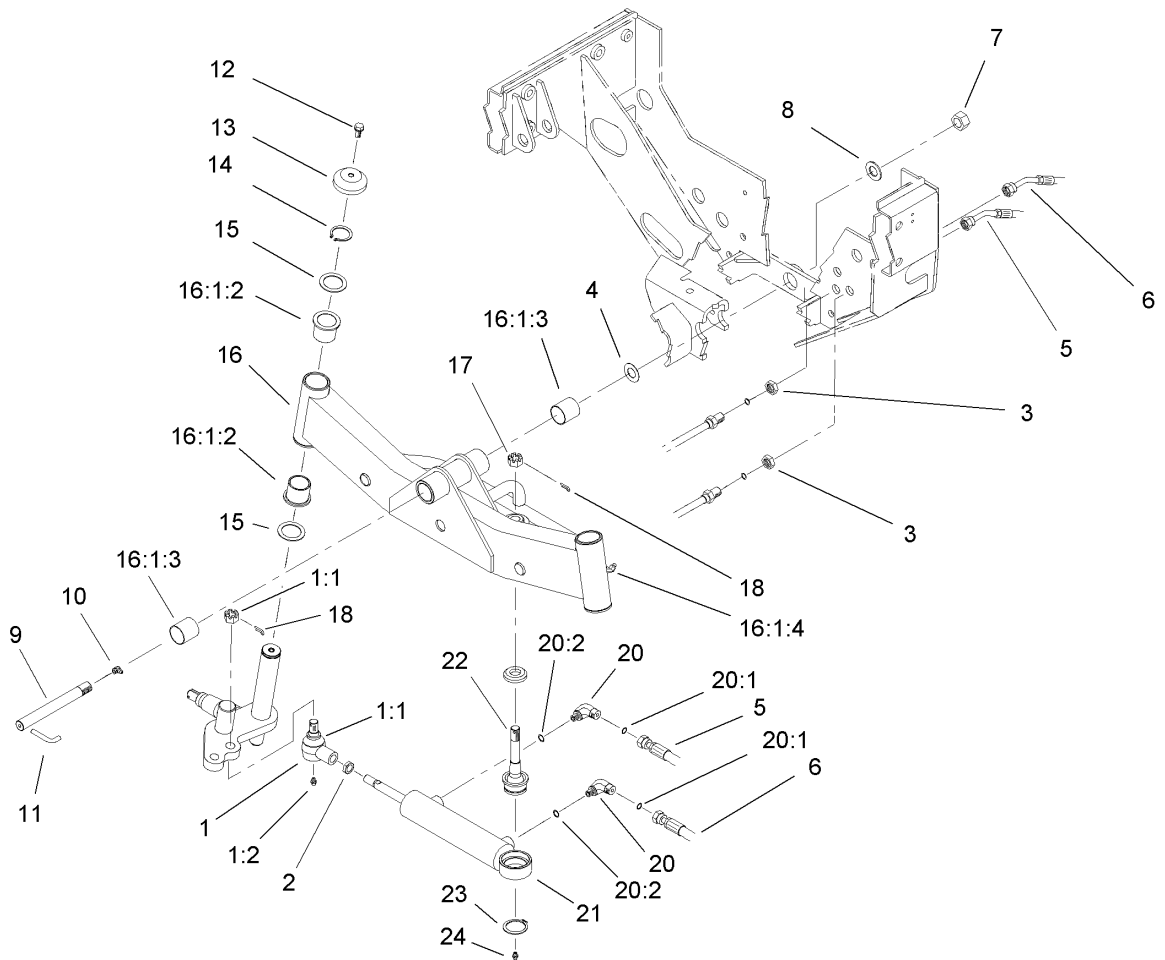
| Ref | Part No. | Qty. | Description       |  |
|-----|----------|------|-------------------|--|
| 1   | 98-9772  | 1    | Head-Filter       |  |
| 2   | 98-9764  | 1    | Element           |  |
| 3   | 98-9774  | 1    | O-Ring            |  |
| 4   | 98-9775  | 1    | Base-Filter       |  |
| 5   | 98-9773  | 1    | Plug-Base, Filter |  |
| 6   | 237-42   | 1    | O-Ring            |  |
| 7   | 237-78   | 1    | O-Ring            |  |
| 8   | 98-9776  | 1    | Plug-Head, Filter |  |
| 9   | 98-9777  | 1    | Drain Valve ASM   |  |
| 10  | 285-22   | 2    | Plug-Pipe         |  |



### Rear Hydraulic Assembly

| Ref | Part No.    | Qty. | Description    |
|-----|-------------|------|----------------|
| 1   | 340-70      | 2    | Nut-Lock       |
| 2   | 323-6       | 2    | Screw-HH       |
| 3   | 32128-21    | 2    | Nut-HF         |
| 17  | 56-7973     | 10   | Clamp-Tube     |
| 18  | 3256-23     | 6    | Washer-Flat    |
| 19  | 322-7       | 4    | Screw-HH       |
| 20  | 3296-47     | 4    | Nut-Lock, NI   |
| 21  | 104-3752-03 | 1    | Bracket-Clamp  |
| 23  | 2412-147    | 3    | Clamp          |
| 27  | 80-8660     | 2    | Spacer-Coupler |
| 28  | 32104-37    | 2    | Screw-HWH      |

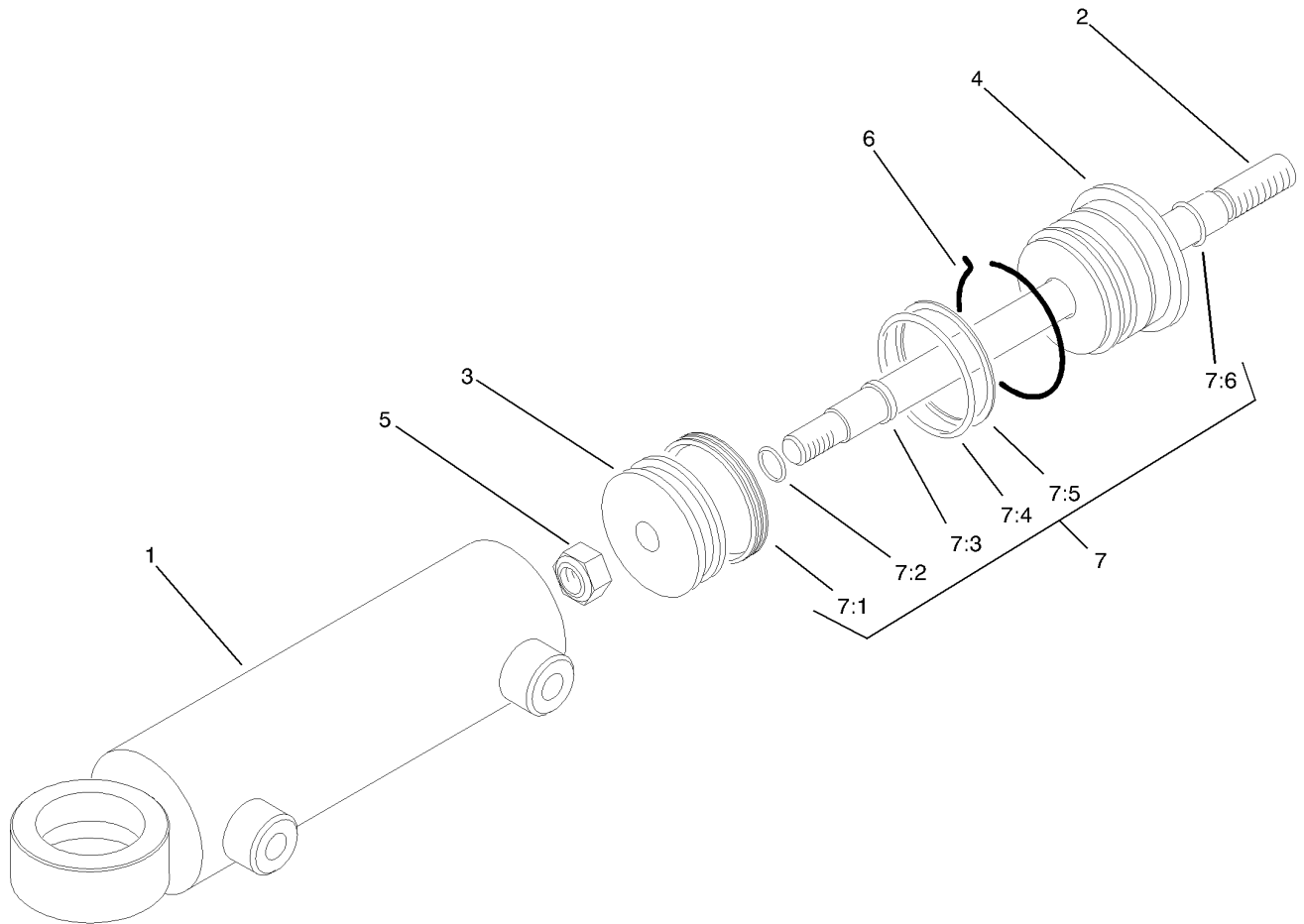




## 2 Wheel Drive Axle Assembly

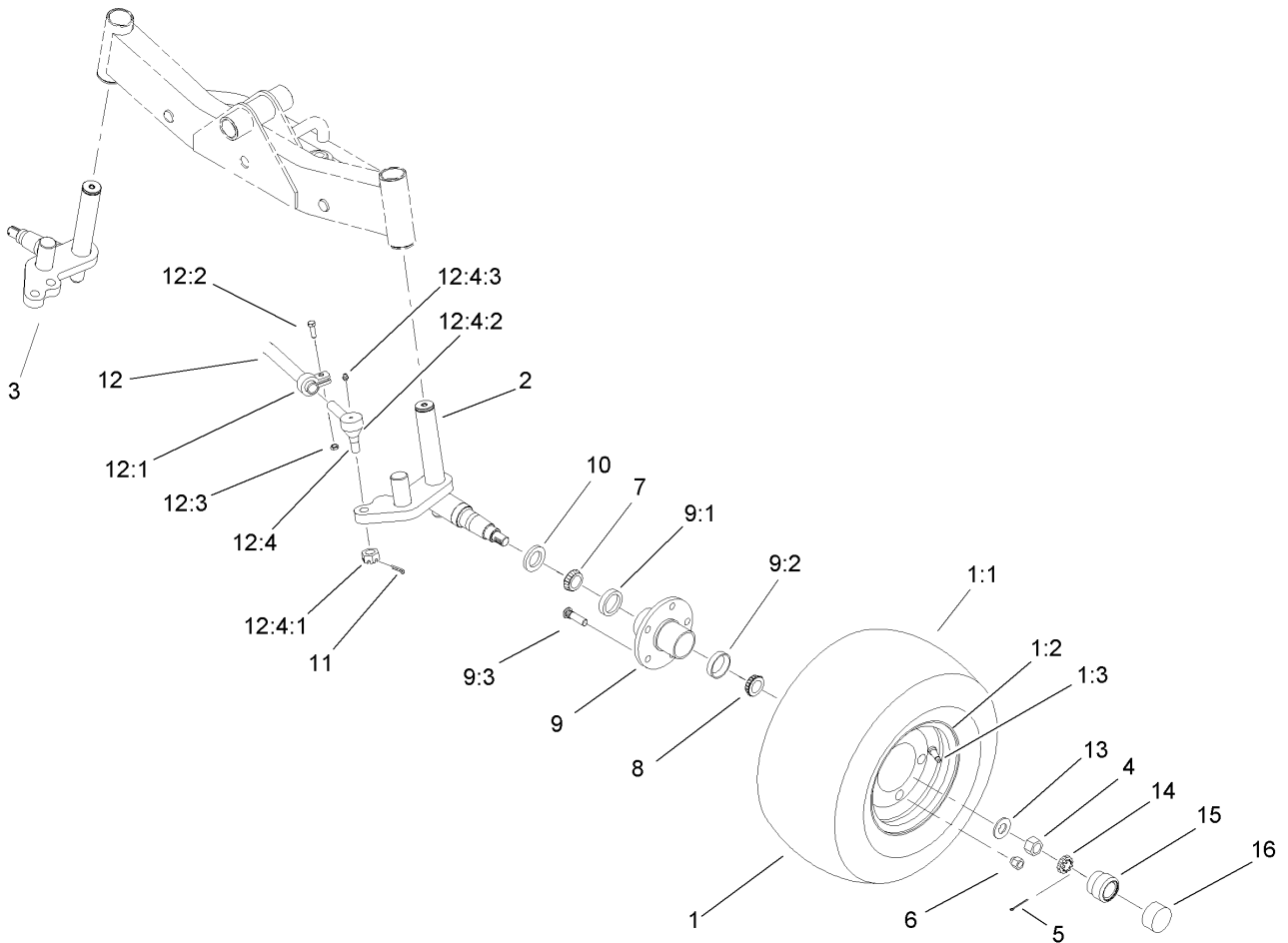
| Ref    | Part No.    | Qty. | Description          |
|--------|-------------|------|----------------------|
| 1      | 106-6898    | 1    | Joint-Ball           |
| 1:1    | 106-6896    | 1    | Seal                 |
| 1:2    | 302-5       | 1    | Fitting-Grease       |
| 2      | 3220-11     | 1    | Nut-Jam              |
| 3      | 32136-14    | 1    | Nut-SHH              |
| 4      | 98-3867     | 2    | Washer-Thrust        |
| 5      | 92-7595     | 1    | Hose ASM             |
| 6      | 92-7594     | 1    | Hose ASM             |
| 7      | 3296-68     | 1    | Nut-Lock, NI         |
| 8      | 92-1765     | 1    | Washer-Thrust        |
| 9      | 100-3770    | 1    | Pin-Axle, Pivot      |
| 10     | 302-33      | 1    | Fitting-Grease       |
| 11     | 100-3771    | 1    | Pin-Stop             |
| 12     | 3234-1      | 2    | Screw-HHF            |
| 13     | 69-8890     | 2    | Cap-Spindle          |
| 14     | 32151-10    | 2    | Ring-Snap            |
| 15     | 62-2170     | 4    | Washer-Thrust        |
| 16     | 100-3785-03 | 1    | Rear Axle ASM        |
| 16:1   |             | 1    | Axle-Rear            |
| 16:1:2 | 69-6470     | 4    | Bushing-Caster       |
| 16:1:3 | 99-6964     | 2    | Bushing-Axle         |
| 16:1:4 | 302-11      | 2    | Fitting-Lube, 45 DEG |
| 17     | 32136-14    | 1    | Nut-SHH              |
| 18     | 3272-12     | 2    | Pin-Cotter           |

| Ref  | Part No. | Qty. | Description         |
|------|----------|------|---------------------|
| 20   | 340-97   | 2    | Fitting-HYD, 90 DEG |
| 20:1 | 237-22   | 1    | O-Ring              |
| 20:2 | 237-78   | 1    | O-Ring              |
| 21   | 94-8142  | 1    | HYD Cylinder ASM    |
| 22   | 92-5839  | 1    | Joint-Ball          |
| 23   | 94-9973  | 1    | Ring-Retaining      |
| 24   | 302-5    | 1    | Fitting-Grease      |



## Hydraulic Cylinder Assembly No. 94-8142

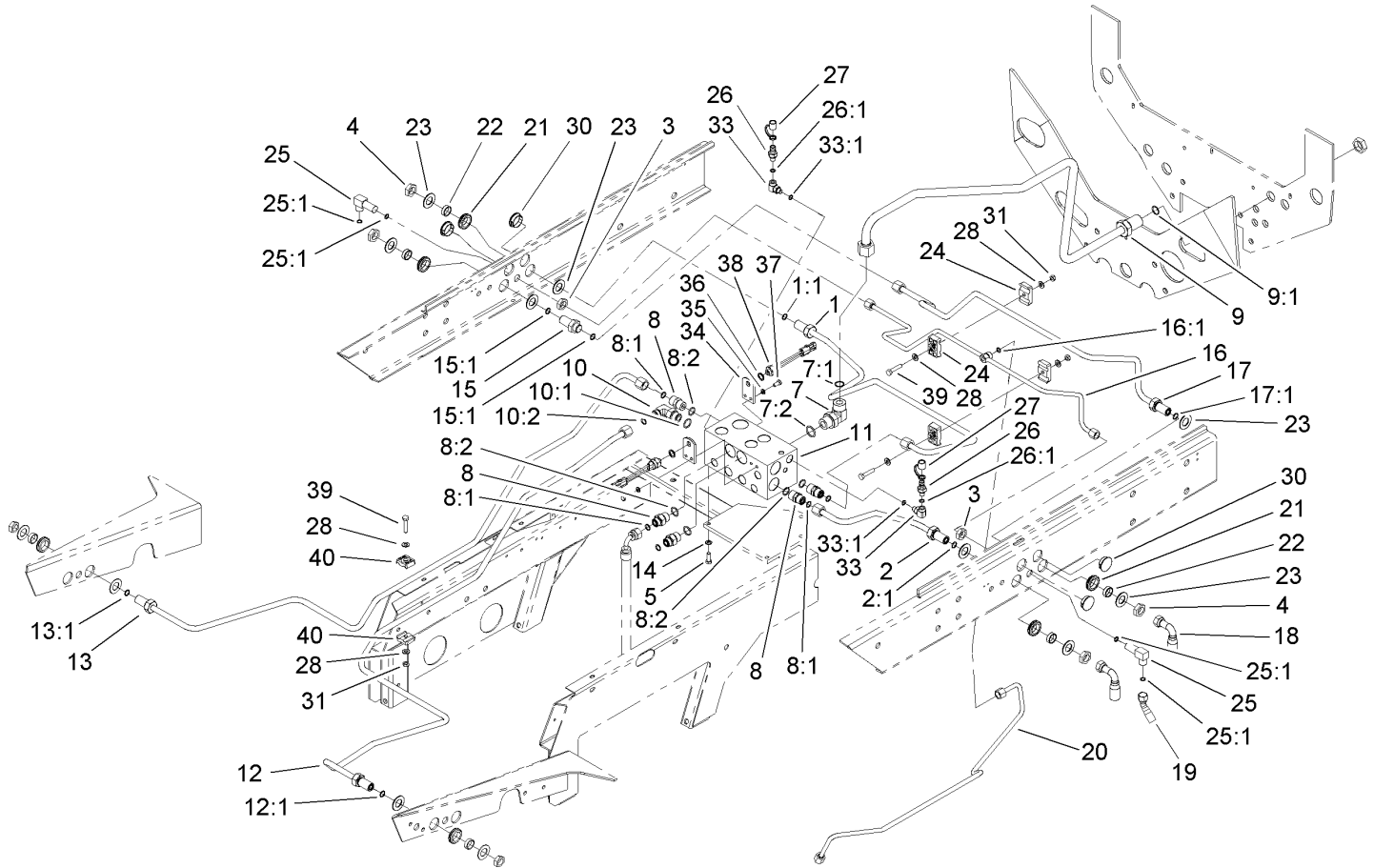
| Ref  | Part No. | Qty. | Description     |
|------|----------|------|-----------------|
| ②1   |          | 1    | Barrel          |
| ②2   |          | 1    | Piston Rod      |
| ②3   |          | 1    | Piston          |
| ②4   |          | 1    | Gland           |
| ②5   |          | 1    | Locknut         |
| 6    | 94-9963  | 1    | Ring-Retaining  |
| 7    | 94-9964  | 1    | Seal Repair Kit |
| ②7:1 |          | 1    | Uniring         |
| ②7:2 |          | 1    | Seal-Dust       |
| ②7:3 |          | 1    | Seal-Rod        |
| ②7:4 |          | 1    | Seal-Dust       |
| ②7:5 |          | 1    | Backup          |
| ②7:6 |          | 1    | Seal-Dust       |



## Wheel and Spindle Assembly

| Ref    | Part No.   | Qty. | Description           |
|--------|------------|------|-----------------------|
| ①      |            | 2    | Tire And Wheel ASM    |
| 1:1    | 86-5910    | 1    | Tire-6 Ply            |
| 1:2    | 100-2582   | 1    | Rim                   |
| 1:3    | 232-27     | 1    | Stem-Valve            |
| 2      | 92-9725-03 | 1    | LH Spindle ASM        |
| 3      | 92-9724-03 | 1    | RH Spindle ASM        |
| 4      | 3220-7     | 2    | Nut-Jam               |
| 5      | 3272-13    | 2    | Pin-Cotter            |
| 6      | 242-50     | 10   | Nut-Lug               |
| 7      | 254-106    | 2    | Cone-Bearing, Tapered |
| 8      | 254-92     | 2    | Cone-Bearing, Outer   |
| 9      | 92-9651-03 | 2    | Hub ASM               |
| 9:1    | 254-107    | 1    | Cup-Bearing, Tapered  |
| 9:2    | 254-72     | 1    | Bearing-Cup, Tapered  |
| 9:3    | 92-9652    | 5    | Stud-Bolt             |
| 10     | 69-2980    | 2    | Seal                  |
| 11     | 3272-12    | 2    | Pin-Cotter            |
| 12     | 98-8839    | 1    | Tie Rod ASM           |
| 12:1   | 98-8840    | 1    | Tube And Clamp ASM    |
| 12:2   | 323-9      | 2    | Screw-HH              |
| 12:3   | 3296-39    | 2    | Nut-Lock, NI          |
| 12:4   | 71-4740-03 | 2    | End-Rod, Tie          |
| 12:4:1 | 105-7941   | 1    | Nut-Hex, Slotted      |
| 12:4:2 | 105-7835   | 1    | Seal                  |

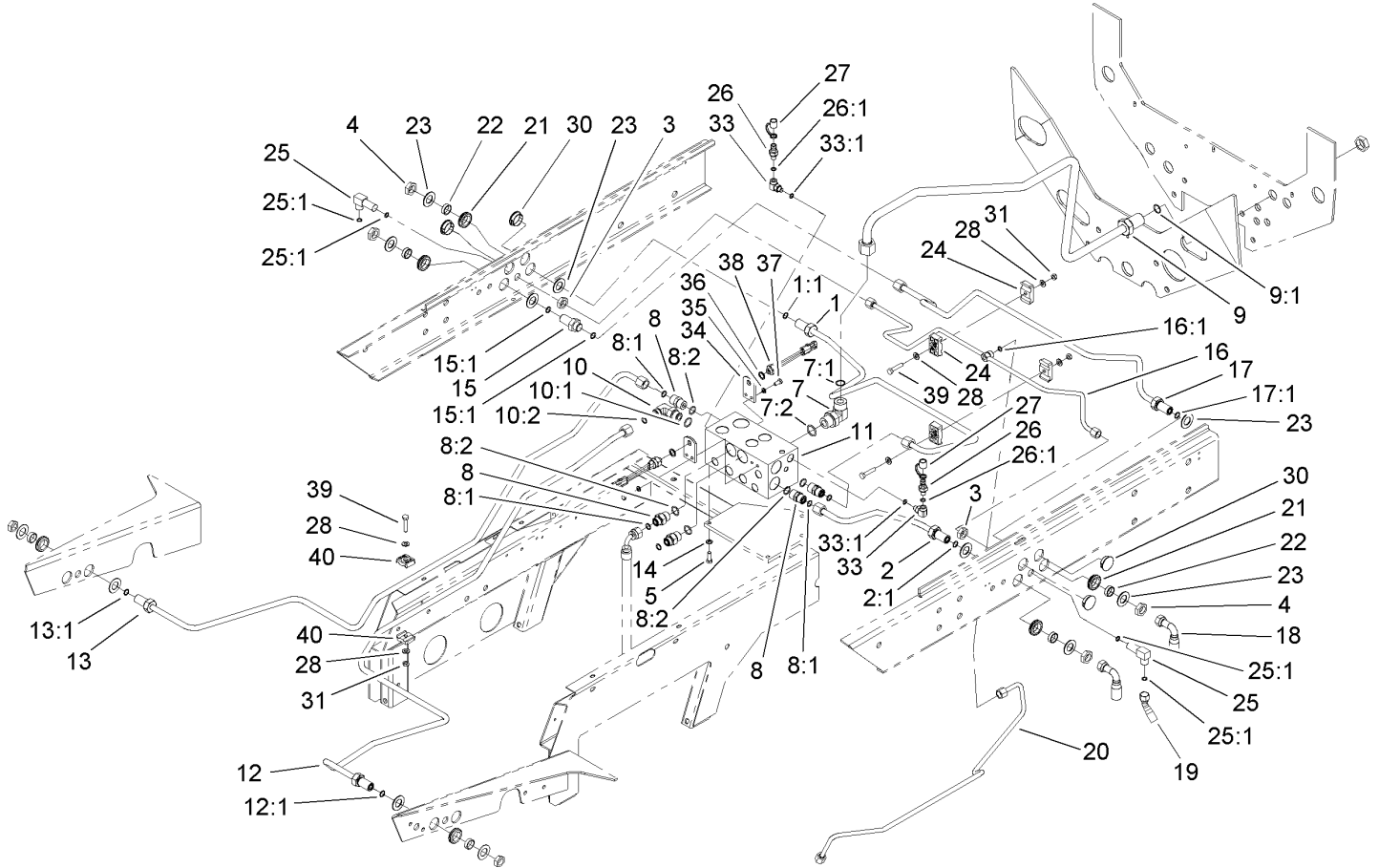
| Ref    | Part No. | Qty. | Description            |
|--------|----------|------|------------------------|
| 12:4:3 | 302-5    | 1    | Fitting-Grease         |
| 13     | 93-0309  | 2    | Washer-Tab             |
| 14     | 93-0307  | 2    | Nut-Lock, Retainer     |
| 15     | 100-3769 | 2    | Protector-Bearing      |
| 16     | 100-3809 | 2    | Cap-Protector, Bearing |



## Rear Hydraulic Control Block Assembly

| Ref  | Part No. | Qty. | Description           |
|------|----------|------|-----------------------|
| 1    | 104-3728 | 1    | HYD Tube ASM          |
| 1:1  | 237-30   | 1    | O-Ring                |
| 2    | 104-3731 | 1    | HYD Tube ASM          |
| 2:1  | 237-30   | 1    | O-Ring                |
| 3    | 340-70   | 2    | Nut-Lock              |
| 4    | 340-127  | 4    | Nut-Bulkhead          |
| 5    | 322-4    | 2    | Screw-HH              |
| 7    | 340-142  | 1    | Fitting-HYD, 90 DEG   |
| 7:1  | 237-58   | 1    | O-Ring                |
| 7:2  | 237-81   | 1    | O-Ring                |
| 8    | 340-6    | 5    | Fitting-HYD, Straight |
| 8:1  | 237-30   | 1    | O-Ring                |
| 8:2  | 237-80   | 1    | O-Ring                |
| 9    | 104-3734 | 1    | HYD Cooler Tube ASM   |
| 9:1  | 237-65   | 1    | O-Ring                |
| 10   | 340-105  | 1    | Fitting-HYD, 90 DEG   |
| 10:1 | 237-80   | 1    | O-Ring                |
| 10:2 | 237-30   | 1    | O-Ring                |
| 11   | 99-6978  | 1    | Block-Manifold, Mow   |
| 12   | 104-3741 | 1    | HYD Tube ASM          |
| 12:1 | 237-30   | 1    | O-Ring                |
| 13   | 104-3739 | 1    | HYD Tube ASM          |
| 13:1 | 237-30   | 1    | O-Ring                |
| 14   | 3253-4   | 2    | Washer-Lock           |

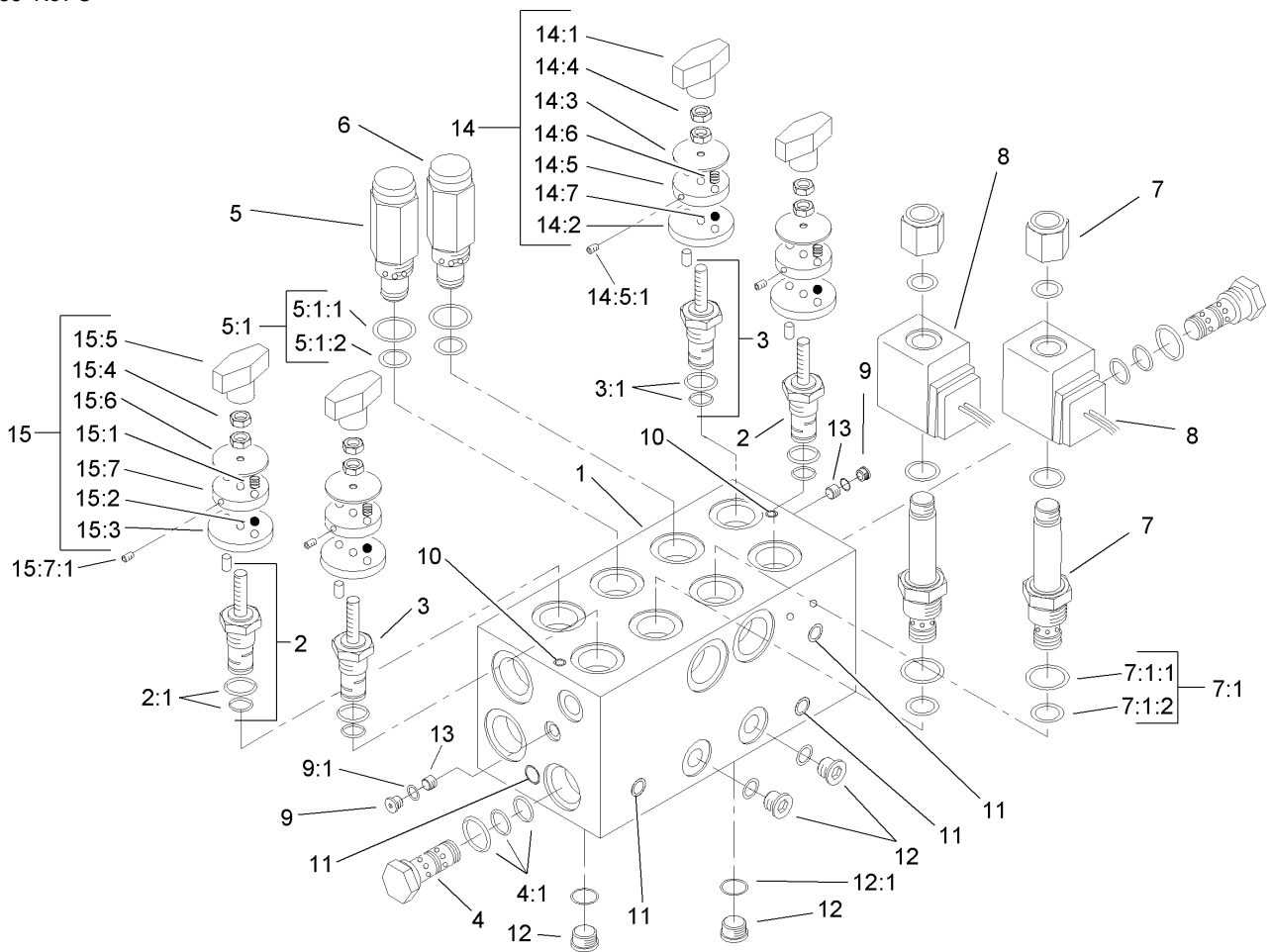
| Ref  | Part No. | Qty. | Description          |
|------|----------|------|----------------------|
| 15   | 340-161  | 1    | Fitting-Bulkhead     |
| 15:1 | 237-30   | 2    | O-Ring               |
| 16   | 104-3723 | 1    | HYD Tube ASM         |
| 16:1 | 237-22   | 1    | O-Ring               |
| 17   | 104-3724 | 1    | HYD Tube ASM         |
| 17:1 | 237-30   | 1    | O-Ring               |
| 18   | 105-7903 | 4    | HYD Hose ASM         |
| 19   | 99-5614  | 2    | HYD Hose ASM         |
| 20   | 104-3732 | 1    | Return Drain ASM     |
| 21   | 240-5    | 4    | Grommet-Rubber       |
| 22   | 69-8960  | 4    | Spacer               |
| 23   | 69-8930  | 8    | Washer               |
| 24   | 56-7972  | 4    | Clamp-Tube           |
| 25   | 340-154  | 2    | Union-Bulkhead       |
| 25:1 | 237-22   | 2    | O-Ring               |
| 26   | 354-77   | 2    | Fitting-Quick        |
| 26:1 | 237-78   | 1    | O-Ring               |
| 27   | 354-79   | 2    | Cap-Dust             |
| 28   | 3256-23  | 8    | Washer-Flat          |
| 30   | 94-1402  | 4    | Plug-Hole            |
| 31   | 3296-47  | 4    | Nut-Lock, NI         |
| 33   | 75-6640  | 2    | Fitting-HYD, Special |
| 33:1 | 237-78   | 1    | O-Ring               |
| 34   | 98-8199  | 2    | Bracket-Switch       |



### Rear Hydraulic Control Block Assembly (continued)

| Ref | Part No. | Qty. | Description |
|-----|----------|------|-------------|
| 35  | 3253-3   | 4    | Washer-Lock |
| 36  | 3256-76  | 2    | Washer-Flat |
| 37  | 329-3    | 4    | Screw-HH    |
| 38  | 72-4320  | 2    | Switch-Ball |
| 39  | 322-7    | 4    | Screw-HH    |
| 40  | 56-7976  | 4    | Clamp-Tube  |

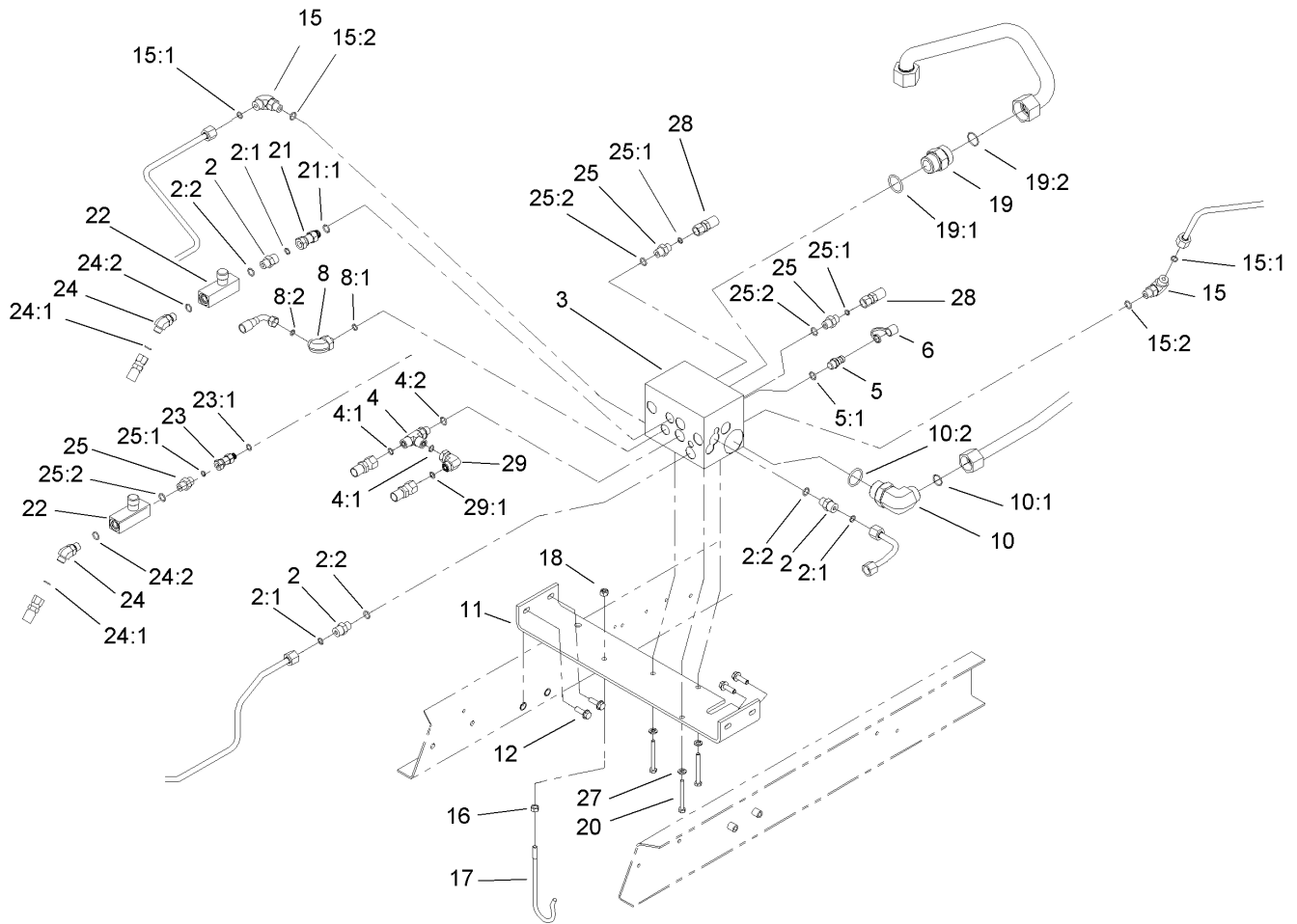
|  |  |  |  |
|--|--|--|--|
|  |  |  |  |
|  |  |  |  |
|  |  |  |  |
|  |  |  |  |
|  |  |  |  |
|  |  |  |  |
|  |  |  |  |
|  |  |  |  |
|  |  |  |  |
|  |  |  |  |



## Mow Block Assembly No. 99-6978

| Ref    | Part No. | Qty. | Description             |
|--------|----------|------|-------------------------|
| ②1     |          | 1    | Body-Manifold           |
| 2      | 94-3657  | 2    | Spool ASM               |
| 2:1    | 106-1091 | 1    | Seal Kit                |
| 3      | 94-8175  | 2    | Control-Flow, Rotary    |
| 3:1    | 106-1090 | 1    | Seal Kit                |
| 4      | 69-4120  | 2    | Cartridge-Logic         |
| 4:1    | 69-4240  | 1    | Seal Kit                |
| 5      | 94-3655  | 1    | Valve-Relief            |
| 5:1    | 95-5645  | 1    | Seal Kit                |
| ②5:1:1 |          | 1    | Seal-Dust               |
| ②5:1:2 |          | 1    | Seal-Dust               |
| 6      | 104-1200 | 1    | Valve-Relief, Cartridge |
| 7      | 93-7494  | 2    | Cartridge               |
| 7:1    | 95-5645  | 1    | Seal Kit                |
| ②7:1:1 |          | 1    | Seal-Dust               |
| ②7:1:2 |          | 1    | Seal-Dust               |
| 8      | 83-2010  | 2    | Coil ASM                |
| 9      | 106-1024 | 2    | Plug-Leak, Zero         |
| 9:1    | 237-156  | 1    | O-Ring                  |
| ②10    |          | 2    | Plug (7Mm)              |
| ②11    |          | 8    | Plug (10Mm)             |
| 12     | 106-1026 | 4    | Plug-HYD                |
| 12:1   | 237-42   | 1    | O-Ring                  |
| 13     | 95-5999  | 2    | Plug-Orifice            |

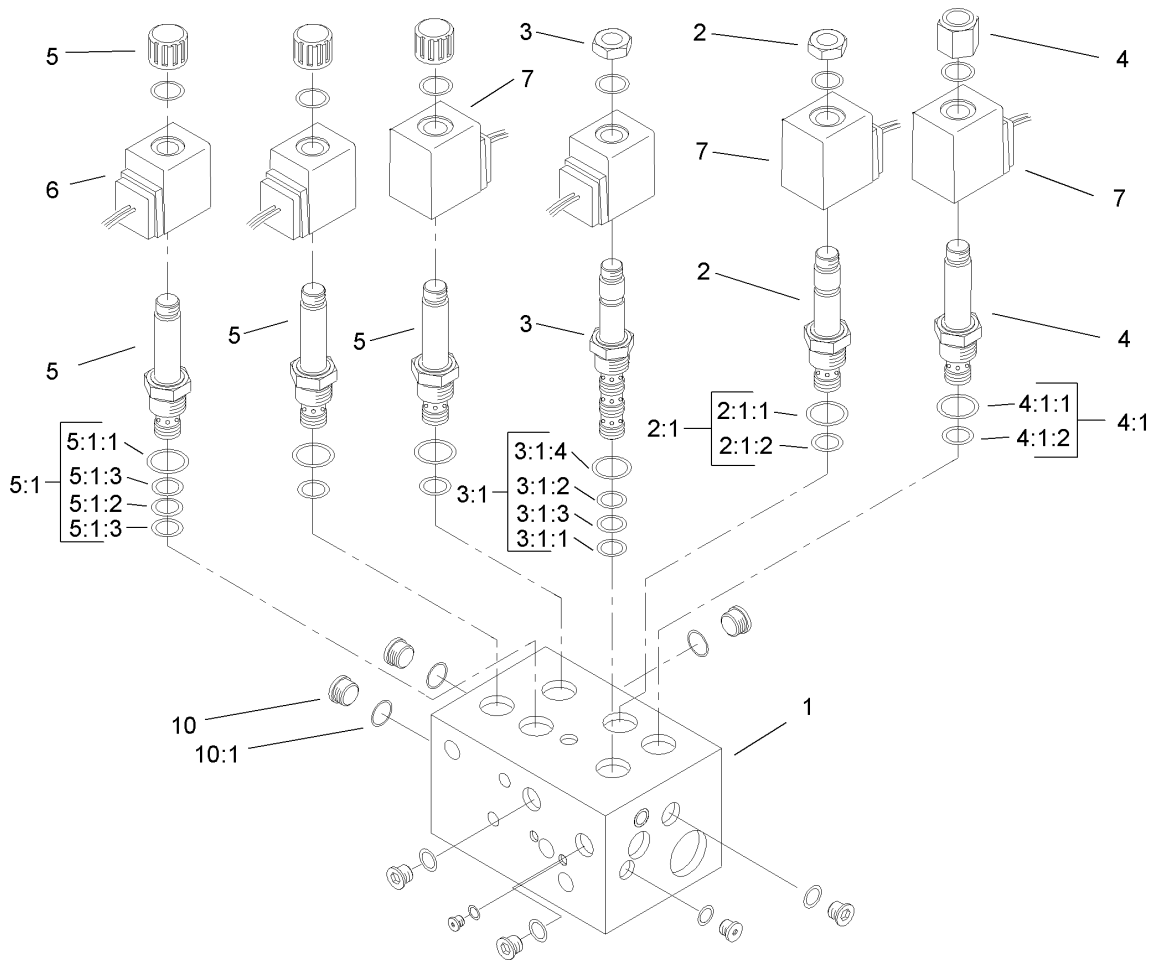
| Ref    | Part No. | Qty. | Description           |
|--------|----------|------|-----------------------|
| 14     | 94-3660  | 2    | Detent Kit            |
| 14:1   | 94-5020  | 1    | Knob ASM              |
| 14:2   | 94-5025  | 1    | Plate-Locating        |
| 14:3   | 94-5026  | 1    | Plate-Indicator       |
| 14:4   | 3218-1   | 2    | Nut-Jam               |
| 14:5   | 94-5023  | 1    | Plate-Detent          |
| 14:5:1 | 3245-36  | 1    | Screw-Set, HSH        |
| 14:6   | 94-5027  | 2    | Spring                |
| 14:7   | 255-13   | 2    | Ball-Steel, Stainless |
| 15     | 94-6378  | 2    | Detent Kit            |
| 15:1   | 94-5027  | 2    | Spring                |
| 15:2   | 255-13   | 2    | Ball-Steel, Stainless |
| 15:3   | 94-5021  | 1    | Plate-Locating        |
| 15:4   | 3218-1   | 2    | Nut-Jam               |
| 15:5   | 94-5020  | 1    | Knob ASM              |
| 15:6   | 99-3543  | 1    | Plate-Indicator       |
| 15:7   | 94-5023  | 1    | Plate-Detent          |
| 15:7:1 | 3245-36  | 1    | Screw-Set, HSH        |



## Front Hydraulic Control Block and Hose Assembly

| Ref  | Part No.    | Qty. | Description             |
|------|-------------|------|-------------------------|
| 2    | 340-2       | 3    | Fitting-HYD, Straight   |
| 2:1  | 237-22      | 1    | O-Ring                  |
| 2:2  | 237-42      | 1    | O-Ring                  |
| 3    | 104-9335    | 1    | Manifold-Block, Lift    |
| 4    | 340-86      | 1    | Fitting-HYD, Tee        |
| 4:1  | 237-22      | 2    | O-Ring                  |
| 4:2  | 237-42      | 1    | O-Ring                  |
| 5    | 59-7410     | 1    | Tip-Nipple, Diagnostic  |
| 5:1  | 237-42      | 1    | O-Ring                  |
| 6    | 354-79      | 1    | Cap-Dust                |
| 8    | 340-132     | 1    | Fitting-HYD, 90 DEG     |
| 8:1  | 237-78      | 1    | O-Ring                  |
| 8:2  | 237-21      | 1    | O-Ring                  |
| 10   | 340-15      | 1    | Fitting-HYD, 90 DEG     |
| 10:1 | 237-58      | 1    | O-Ring                  |
| 10:2 | 237-146     | 1    | O-Ring                  |
| 11   | 104-3772-01 | 1    | Bracket-Block, Manifold |
| 12   | 3234-17     | 4    | Screw-HHF               |
| 15   | 340-77      | 2    | Fitting-HYD, 90 DEG     |
| 15:1 | 237-22      | 1    | O-Ring                  |
| 15:2 | 237-42      | 1    | O-Ring                  |
| 16   | 3217-6      | 1    | Nut-Hex                 |
| 17   | 93-7970     | 1    | Hanger-Hose             |
| 18   | 3296-29     | 1    | Nut-Lock, NI            |

| Ref  | Part No. | Qty. | Description                |
|------|----------|------|----------------------------|
| 19   | 104-3797 | 1    | Fitting-HYD, Straight      |
| 19:1 | 237-146  | 1    | O-Ring                     |
| 19:2 | 340-65   | 1    | O-Ring                     |
| 20   | 322-3    | 3    | Screw-HH                   |
| 21   | 104-3779 | 1    | Connector-Swivel, Straight |
| 21:1 | 237-42   | 1    | O-Ring                     |
| 22   | 98-9742  | 2    | Valve-Control, Flow        |
| 23   | 104-3777 | 1    | Connector-Swivel, Straight |
| 23:1 | 237-78   | 1    | O-Ring                     |
| 24   | 340-137  | 2    | Fitting                    |
| 24:1 | 237-21   | 1    | O-Ring                     |
| 24:2 | 237-42   | 1    | O-Ring                     |
| 25   | 340-1    | 3    | Adapter                    |
| 25:1 | 237-21   | 1    | O-Ring                     |
| 25:2 | 237-42   | 1    | O-Ring                     |
| 27   | 3253-4   | 3    | Washer-Lock                |
| 28   | 104-3716 | 2    | HYD Hose ASM               |
| 29   | 340-159  | 1    | Fitting-HYD, 90 DEG        |
| 29:1 | 237-22   | 2    | O-Ring                     |

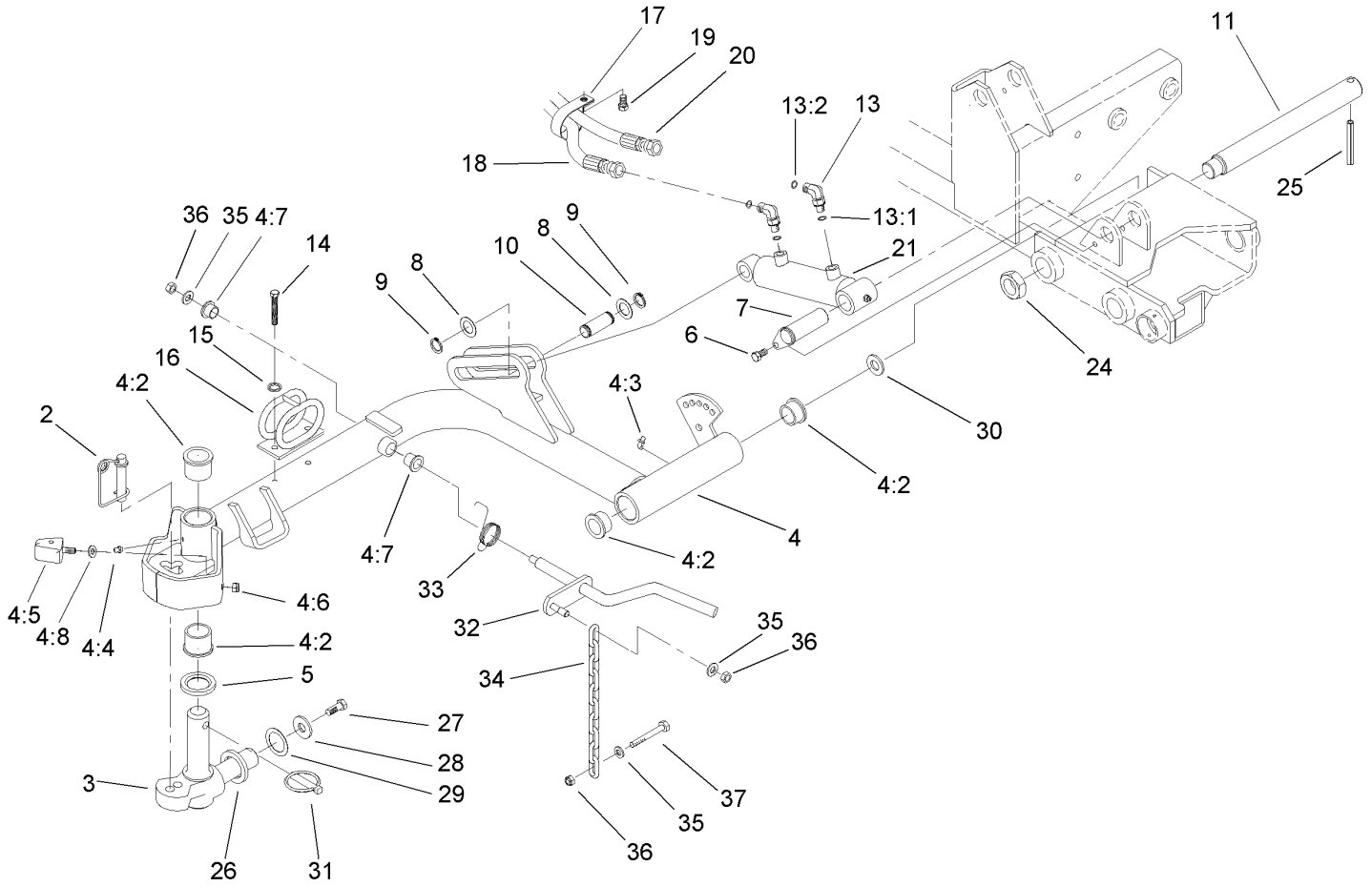


## Lift Block Assembly No. 104-9335

| Ref   | Part No. | Qty. | Description                      |
|-------|----------|------|----------------------------------|
| 1     |          | 1    | Body-Manifold                    |
| 2     | 92-6315  | 1    | Cartridge-Poppet, N.C.           |
| 2:1   | 95-5645  | 1    | Seal Kit                         |
| 2:1:1 |          | 1    | Seal-Dust                        |
| 2:1:2 |          | 1    | Seal-Dust                        |
| 3     | 94-2627  | 1    | Cartridge                        |
| 3:1   | 95-5642  | 1    | Seal Kit                         |
| 3:1:1 |          | 1    | Seal-Dust                        |
| 3:1:2 |          | 1    | Seal-Dust                        |
| 3:1:3 |          | 1    | Seal-Dust                        |
| 3:1:4 |          | 1    | Ring-Boss, Low Compression       |
| 4     | 93-7494  | 1    | Cartridge                        |
| 4:1   | 95-5645  | 1    | Seal Kit                         |
| 4:1:1 |          | 1    | Seal-Dust                        |
| 4:1:2 |          | 1    | Seal-Dust                        |
| 5     | 105-3327 | 3    | Valve-Cartridge, Double Blocking |
| 5:1   | 105-3334 | 1    | Seal Kit                         |
| 5:1:1 |          | 1    | Seal-Dust                        |
| 5:1:2 |          | 1    | Seal-Dust                        |
| 5:1:3 |          | 2    | Ring-Backup                      |
| 6     | 83-2010  | 3    | Coil ASM                         |
| 7     | 105-3328 | 3    | Coil-Solenoid                    |
| 8     |          | 4    | Plug                             |
| 9     |          | 1    | Plug                             |

| Ref  | Part No. | Qty. | Description      |
|------|----------|------|------------------|
| 10   | 353-989  | 7    | Plug-Hex, Hollow |
| 10:1 | 237-42   | 1    | O-Ring           |

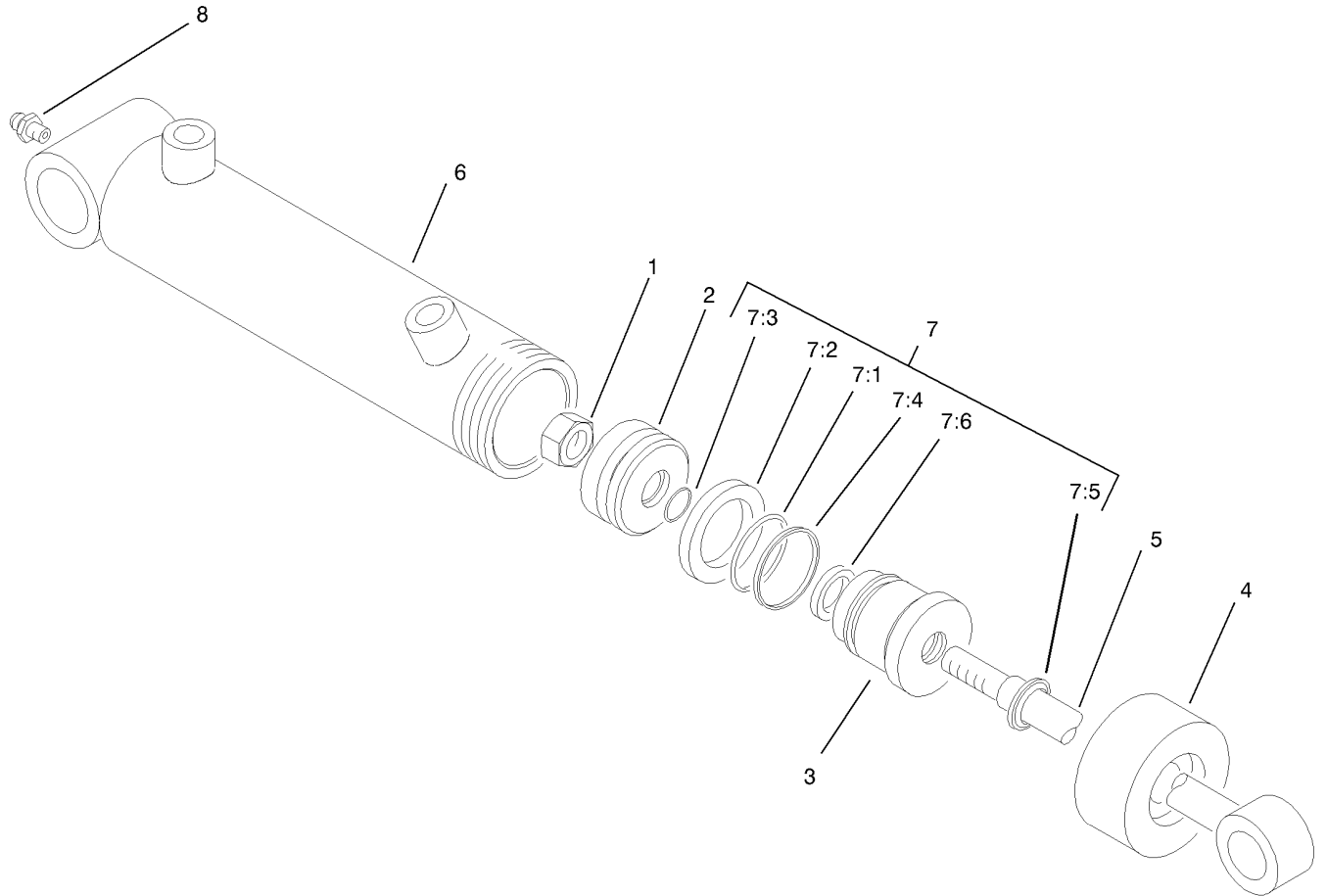




## Front No. 1 Lift Arm Assembly

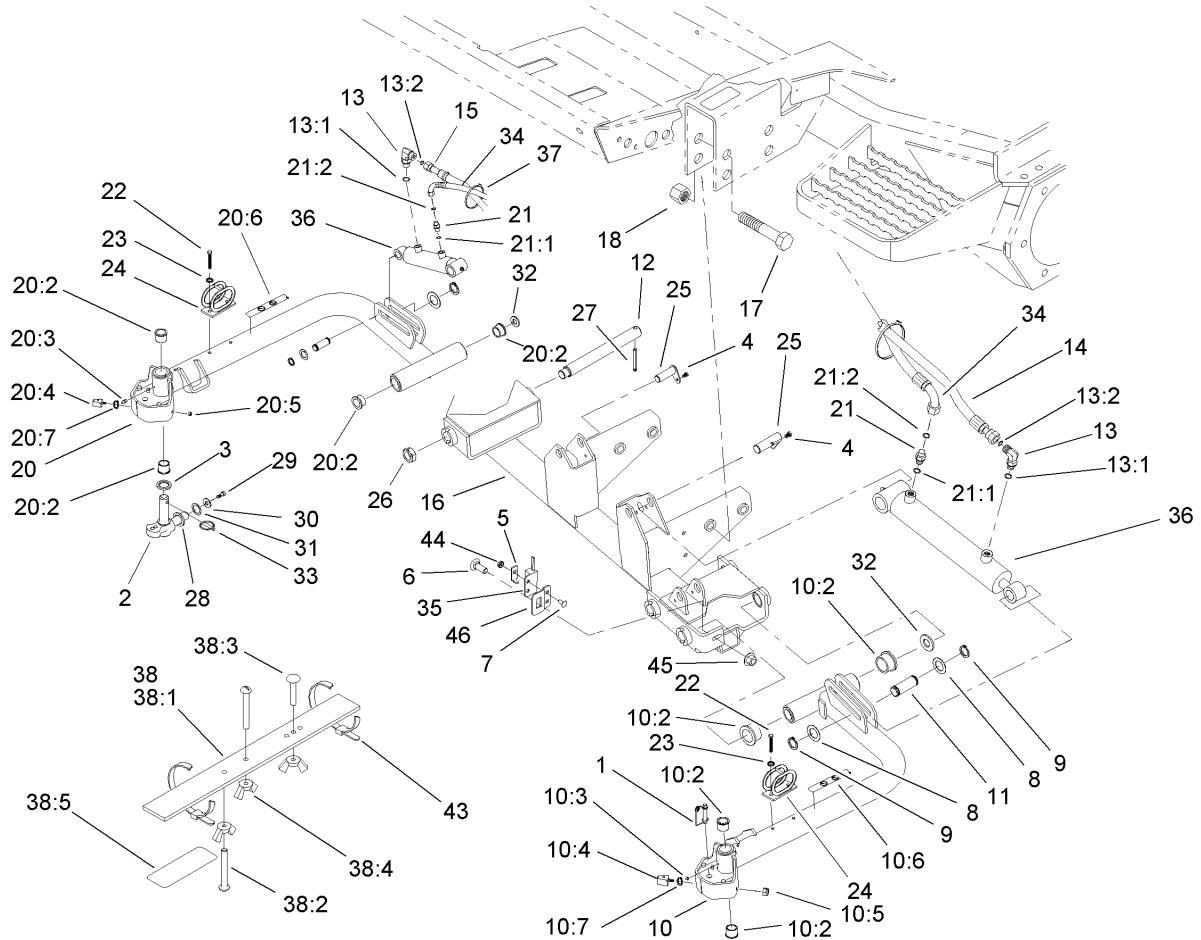
| Ref  | Part No.   | Qty. | Description            |
|------|------------|------|------------------------|
| 2    | 99-5610    | 1    | Pin                    |
| 3    | 98-1880-03 | 1    | Knuckle-Pivot          |
| 4    | 105-3366   | 1    | No. 1 Lift Arm ASM     |
| 4:2  | 104-0015   | 4    | Bushing-Flange         |
| 4:3  | 302-60     | 1    | Fitting-Grease, 90 DEG |
| 4:4  | 302-5      | 1    | Fitting-Grease         |
| 4:5  | 106-9004   | 2    | Bumper                 |
| 4:6  | 3296-29    | 2    | Nut-Lock, NI           |
| 4:7  | 256-287    | 2    | Bushing                |
| 4:8  | 3255-8     | 2    | Washer-Lock            |
| 5    | 94-8946    | 1    | Washer-Thrust          |
| 6    | 32144-14   | 1    | Screw-HWHTF            |
| 7    | 106-9208   | 1    | Short Cylinder Pin ASM |
| 8    | 94-9998    | 2    | Washer-Thrust          |
| 9    | 94-9974    | 2    | Ring-Retaining         |
| 10   | 75-5350    | 1    | Pin-Slide, Cylinder    |
| 11   | 95-7158    | 1    | Pin-Pivot              |
| 13   | 340-132    | 2    | Fitting-HYD, 90 DEG    |
| 13:1 | 237-78     | 1    | O-Ring                 |
| 13:2 | 237-21     | 1    | O-Ring                 |
| 14   | 33114-020  | 2    | Screw-HH               |
| 15   | 3253-4     | 2    | Washer-Lock            |
| 16   | 99-5621    | 1    | Guide-Hose             |
| 17   | 2412-96    | 1    | Clamp-R                |

| Ref | Part No.    | Qty. | Description       |
|-----|-------------|------|-------------------|
| 18  | 105-7916    | 1    | HYD Hose ASM      |
| 19  | 322-4       | 1    | Screw-HH          |
| 20  | 105-9274    | 1    | HYD Hose ASM      |
| 21  | 93-2650     | 1    | Cylinder-Lift     |
| 24  | 3296-49     | 1    | Nut-Lock, NI      |
| 25  | 32121-110   | 1    | Pin-Roll, Slotted |
| 26  | 98-7974     | 1    | Washer-Thrust     |
| 27  | 98-7993     | 1    | Screw-HHF         |
| 28  | 3256-6      | 1    | Washer-Flat       |
| 29  | 3-6781      | 1    | Washer-Thrust     |
| 30  | 76-2980     | 1    | Washer-Thrust     |
| 31  | 283-71      | 1    | Pin-Lynch         |
| 32  | 105-0142-03 | 1    | Rod-Pivot, Front  |
| 33  | 98-3929     | 1    | Spring-Torsion    |
| 34  | 93-6738     | 1    | Chain             |
| 35  | 3256-24     | 3    | Washer-Flat       |
| 36  | 3296-39     | 3    | Nut-Lock, NI      |
| 37  | 323-7       | 1    | Screw-HH          |



## Hydraulic Cylinder Assembly No. 93-2650

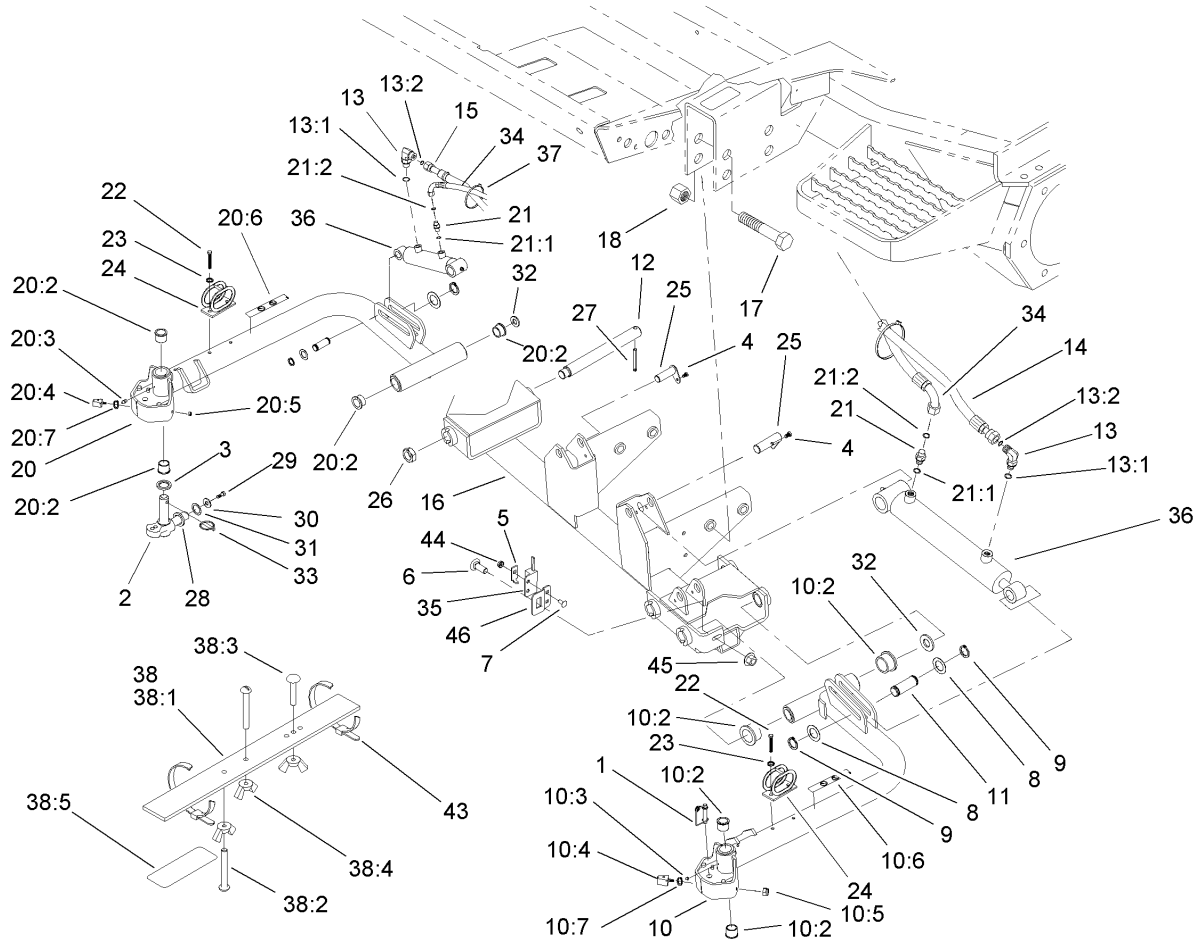
| Ref | Part No. | Qty. | Description    |
|-----|----------|------|----------------|
| 1   |          | 1    | Locknut        |
| 2   |          | 1    | Piston         |
| 3   |          | 1    | Head           |
| 4   |          | 1    | Collar         |
| 5   |          | 1    | Shaft          |
| 6   |          | 1    | Barrel         |
| 7   | 86-7330  | 1    | Seal Kit       |
| 7:1 |          | 1    | Seal-Dust      |
| 7:2 |          | 1    | Seal-Special   |
| 7:3 |          | 1    | Seal-Dust      |
| 7:4 |          | 1    | Backup         |
| 7:5 |          | 1    | Seal-Rod       |
| 7:6 |          | 1    | Seal-Dust      |
| 8   | 302-5    | 1    | Fitting-Grease |



## Front No. 4 and No. 5 Lift Arm Assembly

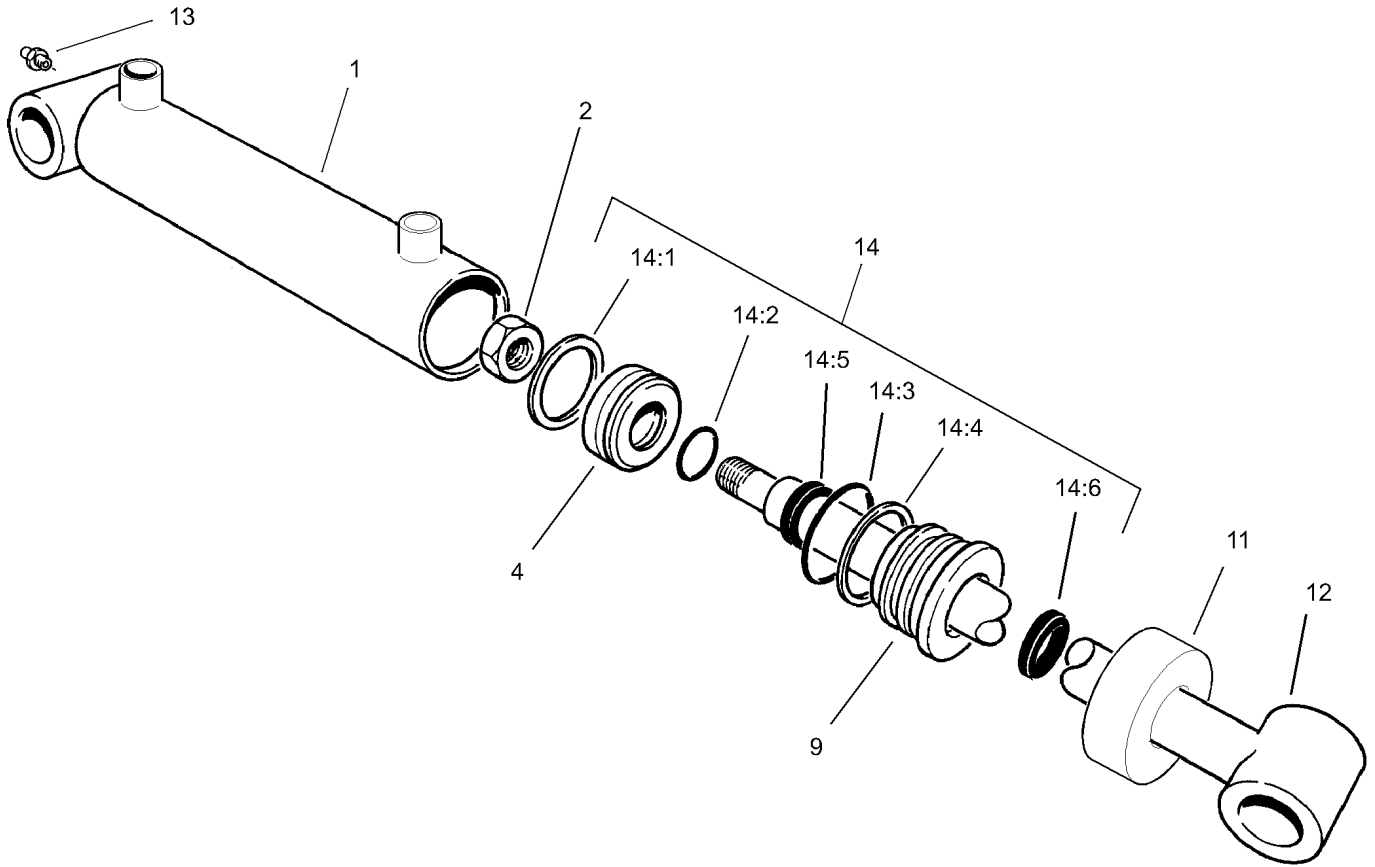
| Ref  | Part No.    | Qty. | Description           |
|------|-------------|------|-----------------------|
| 1    | 99-5610     | 2    | Pin                   |
| 2    | 98-1880-03  | 2    | Knuckle-Pivot         |
| 3    | 94-8946     | 2    | Washer-Thrust         |
| 4    | 32144-14    | 2    | Screw-HWHTF           |
| 5    | 100-4872    | 1    | Plate-Switch, Neutral |
| 6    | 3231-22     | 1    | Screw-CARR            |
| 7    | 104-1450    | 1    | Bolt-CARR             |
| 8    | 94-9998     | 4    | Washer-Thrust         |
| 9    | 94-9974     | 4    | Ring-Retaining        |
| 10   | 105-3359    | 1    | No. 4 Lift Arm ASM    |
| 10:2 | 104-0015    | 4    | Bushing-Flange        |
| 10:3 | 302-5       | 2    | Fitting-Grease        |
| 10:4 | 106-9004    | 2    | Bumper                |
| 10:5 | 3296-29     | 2    | Nut-Lock, NI          |
| 10:6 | 93-6687     | 1    | Decal-No Step         |
| 10:7 | 3255-8      | 2    | Washer-Lock           |
| 11   | 75-5350     | 2    | Pin-Slide, Cylinder   |
| 12   | 95-7158     | 2    | Pin-Pivot             |
| 13   | 340-132     | 2    | Fitting-HYD, 90 DEG   |
| 13:1 | 237-78      | 1    | O-Ring                |
| 13:2 | 237-21      | 1    | O-Ring                |
| 14   | 105-7948    | 1    | HYD Hose ASM          |
| 15   | 105-7945    | 1    | HYD Hose ASM          |
| 16   | 105-3347-03 | 1    | Frame-Carrier, Front  |

| Ref  | Part No.  | Qty. | Description           |
|------|-----------|------|-----------------------|
| 17   | 328-7     | 4    | Screw-HH              |
| 18   | 3296-51   | 4    | Nut-Lock, NI          |
| 20   | 105-0110  | 1    | No. 5 Lift Arm ASM    |
| 20:2 | 104-0015  | 4    | Bushing-Flange        |
| 20:3 | 302-5     | 2    | Fitting-Grease        |
| 20:4 | 106-9004  | 2    | Bumper                |
| 20:5 | 3296-29   | 2    | Nut-Lock, NI          |
| 20:6 | 93-6687   | 1    | Decal-No Step         |
| 20:7 | 3255-8    | 2    | Washer-Lock           |
| 21   | 340-92    | 2    | Fitting-HYD, Straight |
| 21:1 | 237-78    | 1    | O-Ring                |
| 21:2 | 237-21    | 1    | O-Ring                |
| 22   | 33114-020 | 4    | Screw-HH              |
| 23   | 3253-4    | 4    | Washer-Lock           |
| 24   | 99-5621   | 2    | Guide-Hose            |
| 25   | 105-9889  | 2    | Cylinder Pin ASM      |
| 26   | 3296-49   | 2    | Nut-Lock, NI          |
| 27   | 32121-110 | 2    | Pin-Roll, Slotted     |
| 28   | 98-7974   | 2    | Washer-Thrust         |
| 29   | 98-7993   | 2    | Screw-HHF             |
| 30   | 3256-6    | 2    | Washer-Flat           |
| 31   | 3-6781    | 2    | Washer-Thrust         |
| 32   | 76-2980   | 2    | Washer-Thrust         |
| 33   | 283-71    | 2    | Pin-Lynch             |



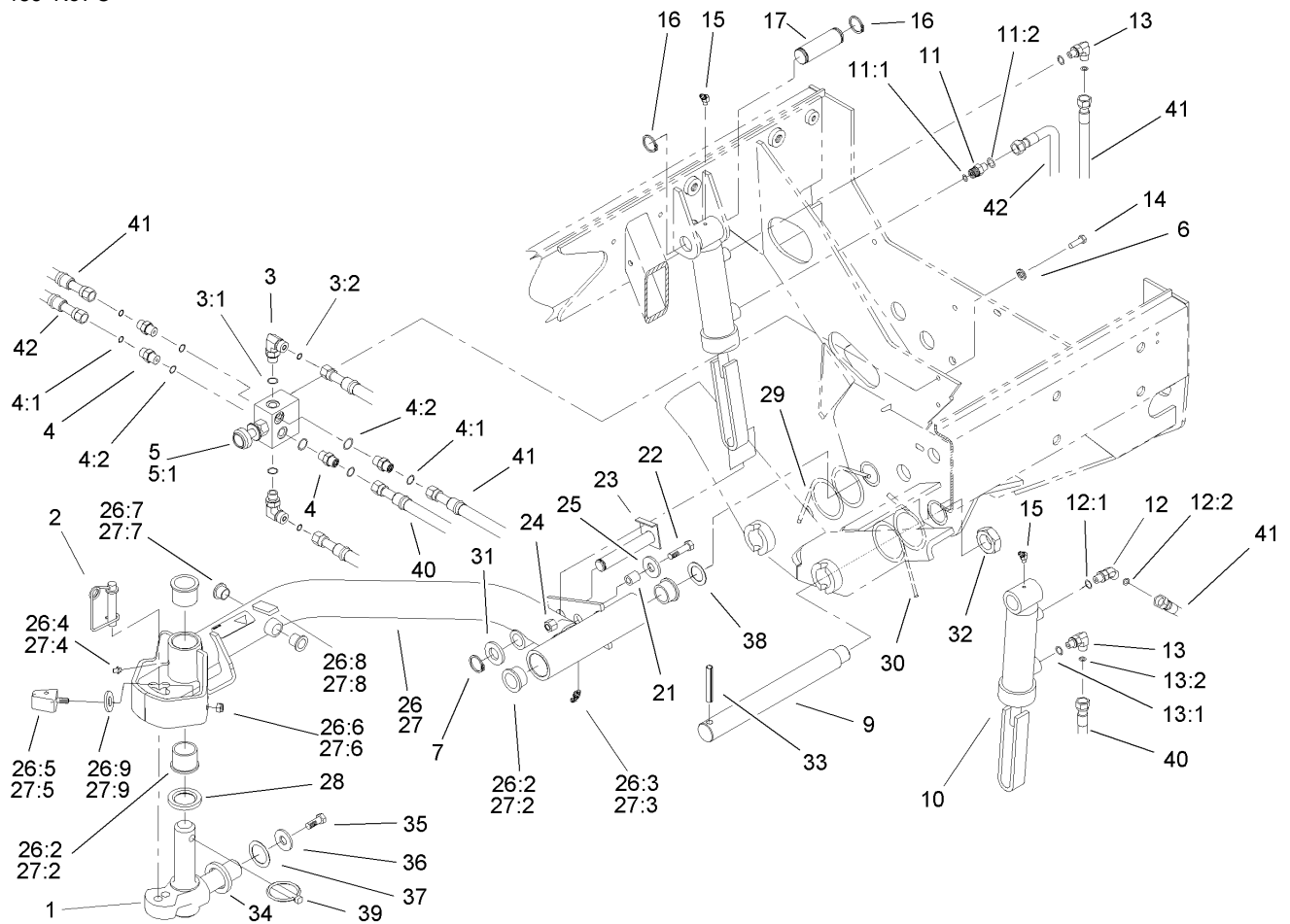
### Front No. 4 and No. 5 Lift Arm Assembly (continued)

| Ref  | Part No. | Qty. | Description       |
|------|----------|------|-------------------|
| 34   | 105-7947 | 2    | HYD Hose ASM      |
| 35   | 100-1270 | 1    | Switch-Proximity  |
| 36   | 99-6986  | 2    | Cylinder-HYD      |
| 37   | 3290-378 | 2    | Tie-Cable         |
| 38   | 108-6715 | 1    | Gauge Bar ASM     |
| 38:1 |          | 1    | Bar-Gauge         |
| 38:2 | 32122-54 | 2    | Screw-Head, Truss |
| 38:3 | 108-6714 | 1    | Stud-Weld         |
| 38:4 | 32103-3  | 3    | Nut-Wing          |
| 38:5 | 108-6712 | 1    | Decal-Gauge, Bar  |
| 43   | 3334-945 | 2    | Tie-Cable         |
| 44   | 32149-7  | 1    | Nut-Keps          |
| 45   | 32128-43 | 1    | Nut-Flange        |
| 46   | 105-3351 | 1    | Bracket-Switch    |



### Hydraulic Cylinder Assembly No. 99-6986

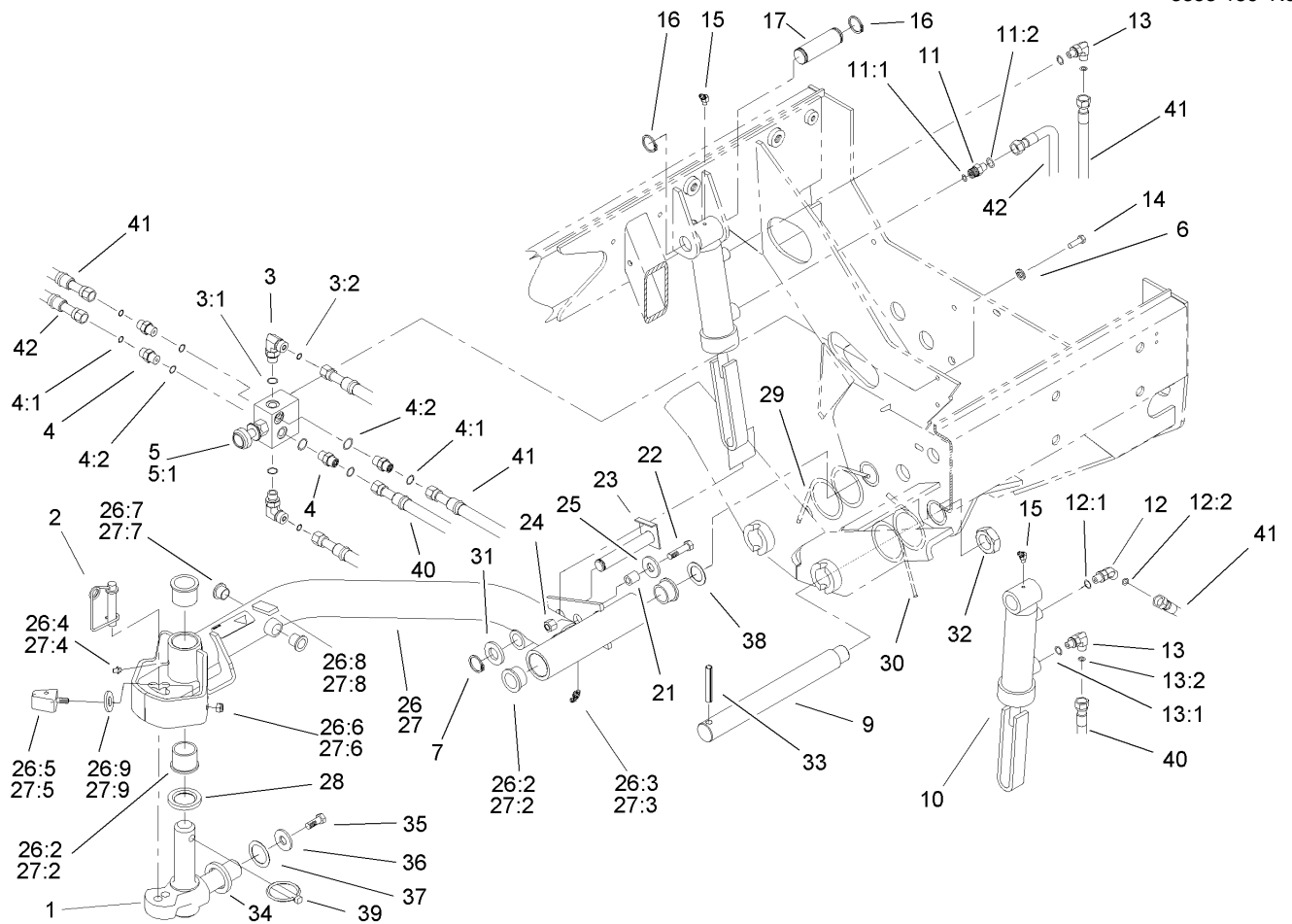
| Ref  | Part No. | Qty. | Description     |
|------|----------|------|-----------------|
| 1    |          | 1    | Barrel          |
| 2    | 32152-10 | 1    | Locknut         |
| 4    |          | 1    | Piston          |
| 9    |          | 1    | Head            |
| 11   |          | 1    | Collar          |
| 12   |          | 1    | Shaft W/Clevis  |
| 13   |          | 1    | Fitting-Grease  |
| 14   | 100-8023 | 1    | Seal Repair Kit |
| 14:1 |          | 1    | Seal-Psp        |
| 14:2 |          | 1    | Seal-Dust       |
| 14:3 |          | 1    | Seal-Dust       |
| 14:4 |          | 1    | Backup          |
| 14:5 |          | 1    | Seal-Rod        |
| 14:6 |          | 1    | Seal-Dust       |



## Rear No. 2 and No. 3 Lift Arm Assembly

| Ref    | Part No.   | Qty. | Description           |
|--------|------------|------|-----------------------|
| 1      | 98-1880-03 | 2    | Knuckle-Pivot         |
| 2      | 99-5610    | 2    | Pin                   |
| 3      | 340-82     | 2    | Adapter               |
| 3:1    | 237-42     | 1    | O-Ring                |
| 3:2    | 237-21     | 1    | O-Ring                |
| 4      | 340-1      | 4    | Adapter               |
| 4:1    | 237-21     | 1    | O-Ring                |
| 4:2    | 237-42     | 1    | O-Ring                |
| 5      | 104-9250   | 1    | Control-Flow          |
| 5:1    | 107-1800   | 1    | Cartridge Kit         |
| ●5:1:1 | 105-3334   | 1    | Seal Kit              |
| ●5:1:2 | 105-7514   | 1    | Cartridge Knob Kit    |
| 6      | 3253-3     | 2    | Washer-Lock           |
| 7      | 94-9974    | 2    | Ring-Retaining        |
| 9      | 95-7158    | 2    | Pin-Pivot             |
| 10     | 99-2550    | 2    | Cylinder-HYD          |
| 11     | 340-92     | 1    | Fitting-HYD, Straight |
| 11:1   | 237-78     | 1    | O-Ring                |
| 11:2   | 237-21     | 1    | O-Ring                |
| 12     | 340-103    | 1    | Fitting-HYD, 45 DEG   |
| 12:1   | 237-78     | 1    | O-Ring                |
| 12:2   | 237-21     | 1    | O-Ring                |
| 13     | 340-132    | 2    | Fitting-HYD, 90 DEG   |
| 13:1   | 237-78     | 1    | O-Ring                |

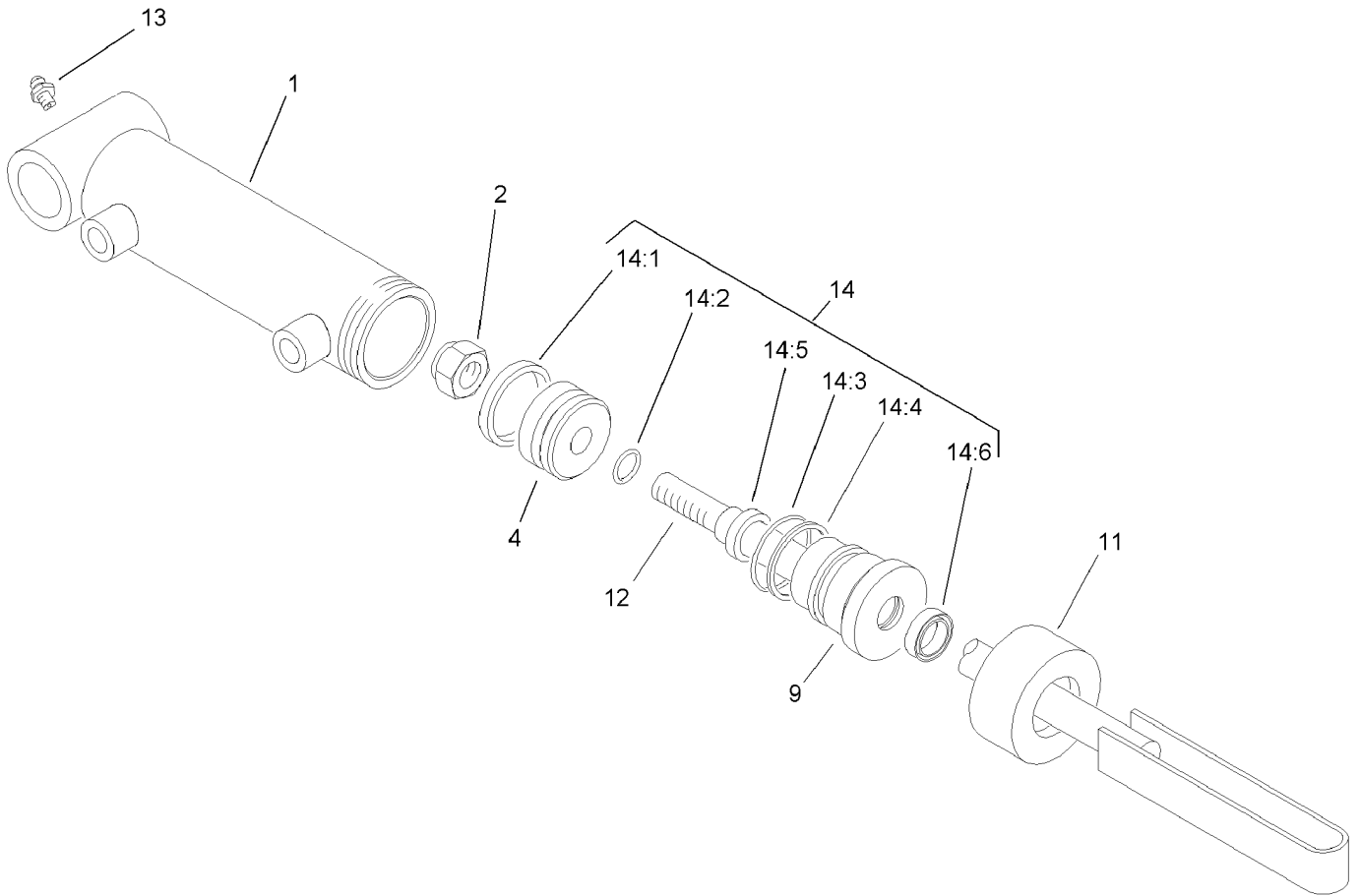
| Ref  | Part No. | Qty. | Description          |
|------|----------|------|----------------------|
| 13:2 | 237-21   | 1    | O-Ring               |
| 14   | 321-4    | 2    | Screw-HH             |
| 15   | 302-11   | 2    | Fitting-Lube, 45 DEG |
| 16   | 32151-36 | 4    | Ring-Retaining       |
| 17   | 92-7548  | 2    | Pin-Cylinder         |
| 21   | 82-6840  | 2    | Spacer               |
| 22   | 322-7    | 2    | Screw-HH             |
| 23   | 99-2560  | 2    | Pin                  |
| 24   | 3296-29  | 2    | Nut-Lock, NI         |
| 25   | 3256-3   | 2    | Washer-Flat          |
| 26   | 105-3363 | 1    | No. 3 Lift Arm ASM   |
| 26:2 | 104-0015 | 4    | Bushing-Flange       |
| 26:3 | 302-11   | 1    | Fitting-Lube, 45 DEG |
| 26:4 | 302-5    | 1    | Fitting-Grease       |
| 26:5 | 106-9004 | 2    | Bumper               |
| 26:6 | 3296-29  | 2    | Nut-Lock, NI         |
| 26:7 | 256-287  | 2    | Bushing              |
| 26:8 | 93-6696  | 1    | Decal-Warning        |
| 26:9 | 3255-8   | 2    | Washer-Lock          |
| 27   | 105-3362 | 1    | No. 2 Lift Arm ASM   |
| 27:2 | 104-0015 | 4    | Bushing-Flange       |
| 27:3 | 302-11   | 1    | Fitting-Lube, 45 DEG |
| 27:4 | 302-5    | 1    | Fitting-Grease       |
| 27:5 | 106-9004 | 2    | Bumper               |



### Rear No. 2 and No. 3 Lift Arm Assembly (continued)

| Ref  | Part No.   | Qty. | Description        |
|------|------------|------|--------------------|
| 27:6 | 3296-29    | 2    | Nut-Lock, NI       |
| 27:7 | 256-287    | 2    | Bushing            |
| 27:8 | 93-6696    | 1    | Decal-Warning      |
| 27:9 | 3255-8     | 2    | Washer-Lock        |
| 28   | 94-8946    | 2    | Washer-Thrust      |
| 29   | 99-5608-03 | 1    | Spring-Torsion, RH |
| 30   | 99-5609-03 | 1    | Spring-Torsion, LH |
| 31   | 67-6570    | 2    | Spacer-Wheel       |
| 32   | 3296-49    | 2    | Nut-Lock, NI       |
| 33   | 32121-110  | 2    | Pin-Roll, Slotted  |
| 34   | 98-7974    | 2    | Washer-Thrust      |
| 35   | 98-7993    | 2    | Screw-HHF          |
| 36   | 3256-6     | 2    | Washer-Flat        |
| 37   | 3-6781     | 2    | Washer-Thrust      |
| 38   | 76-2980    | 2    | Washer-Thrust      |
| 39   | 283-71     | 2    | Pin-Lynch          |
| 40   | 105-7919   | 1    | HYD Hose ASM       |
| 41   | 105-7918   | 2    | HYD Hose ASM       |
| 42   | 105-7917   | 1    | HYD Hose ASM       |

|  |  |  |  |
|--|--|--|--|
|  |  |  |  |
|  |  |  |  |
|  |  |  |  |
|  |  |  |  |

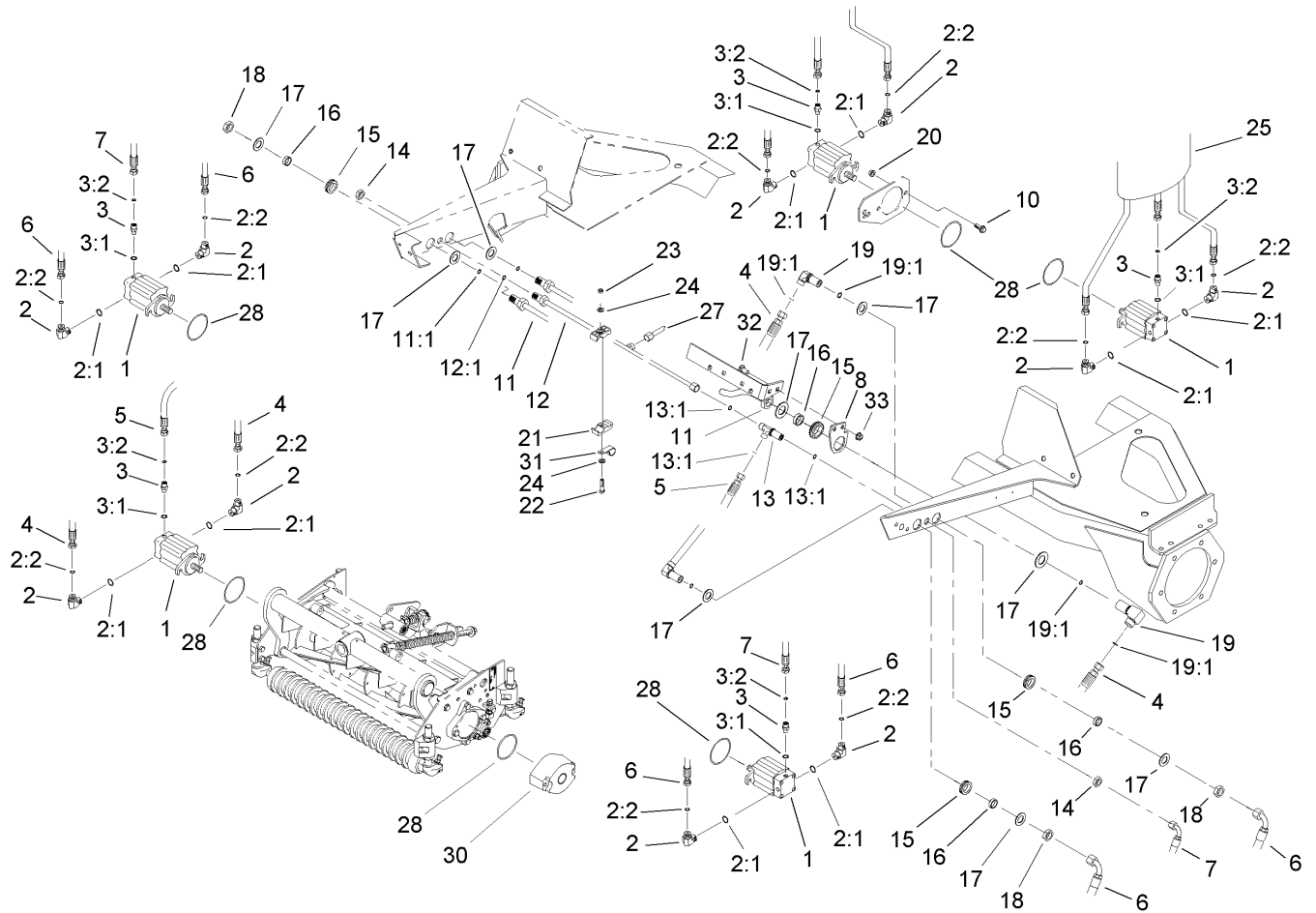


## Hydraulic Cylinder Assembly No. 99-2550

| Ref  | Part No. | Qty. | Description     |
|------|----------|------|-----------------|
| 1    |          | 1    | Barrel          |
| 2    | 32152-10 | 1    | Locknut         |
| 4    |          | 1    | Piston          |
| 9    |          | 1    | Head            |
| 11   |          | 1    | Collar          |
| 12   |          | 1    | Shaft And Tube  |
| 13   | 302-5    | 1    | Fitting-Grease  |
| 14   | 100-8023 | 1    | Seal Repair Kit |
| 14:1 |          | 1    | Seal-Psp        |
| 14:2 |          | 1    | Seal-Dust       |
| 14:3 |          | 1    | Seal-Dust       |
| 14:4 |          | 1    | Backup          |
| 14:5 |          | 1    | Seal-Rod        |
| 14:6 |          | 1    | Seal-Dust       |

|  |  |  |  |
|--|--|--|--|
|  |  |  |  |
|  |  |  |  |
|  |  |  |  |
|  |  |  |  |
|  |  |  |  |

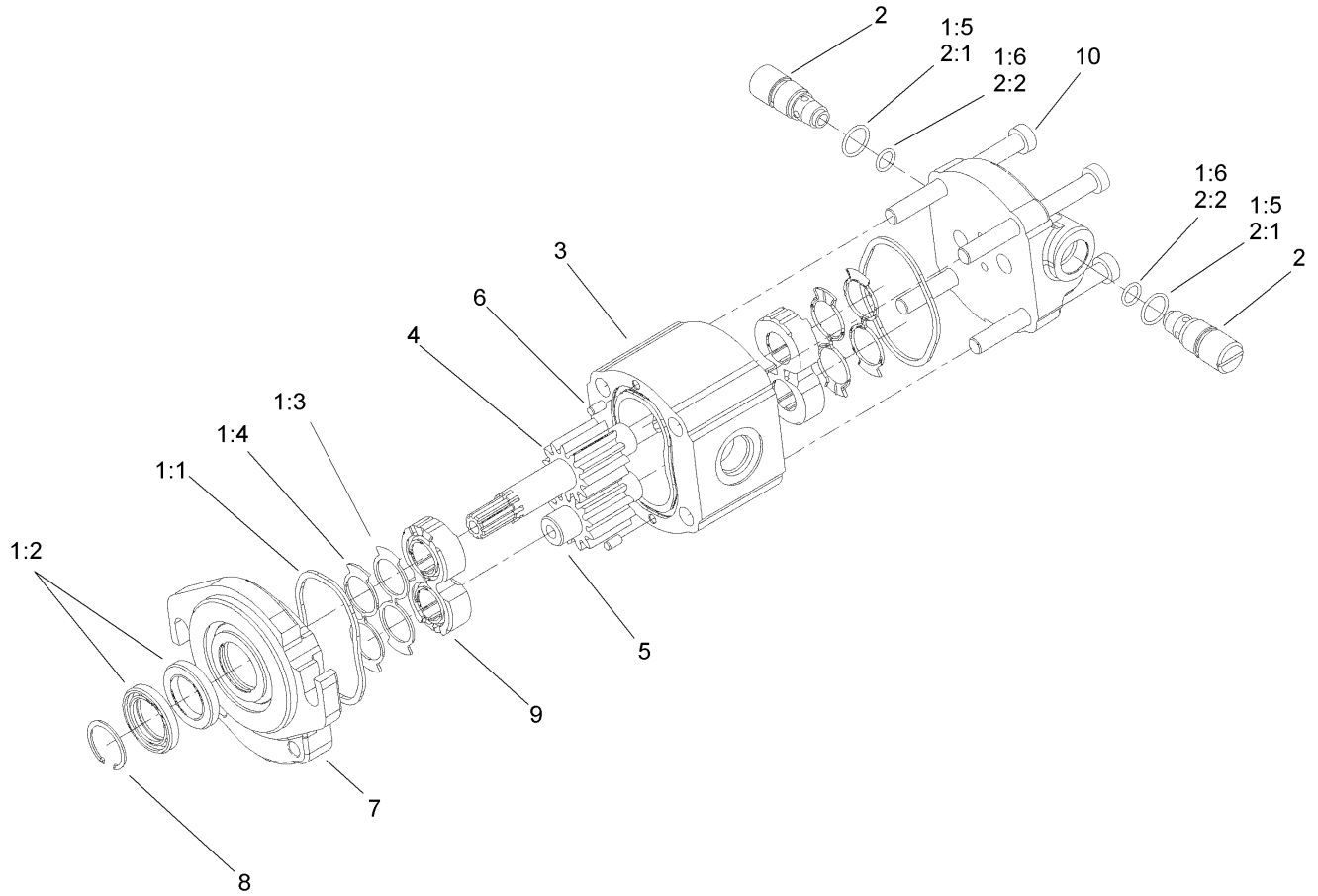




## Reel Motor Assembly

| Ref  | Part No.    | Qty. | Description           |
|------|-------------|------|-----------------------|
| 1    | 108-1447    | 5    | HYD Motor ASM         |
| 2    | 340-98      | 10   | Fitting-HYD, 90 DEG   |
| 2:1  | 237-79      | 1    | O-Ring                |
| 2:2  | 237-30      | 1    | O-Ring                |
| 3    | 340-92      | 5    | Fitting-HYD, Straight |
| 3:1  | 237-78      | 1    | O-Ring                |
| 3:2  | 237-21      | 1    | O-Ring                |
| 4    | 105-7902    | 2    | HYD Hose ASM          |
| 5    | 92-7560     | 1    | HYD Hose ASM          |
| 6    | 105-7901    | 4    | HYD Hose ASM          |
| 7    | 92-7559     | 2    | HYD Hose ASM          |
| 8    | 106-7788-03 | 1    | Mount-Fitting         |
| 10   | 3234-11     | 10   | Screw-HHF             |
| 11   | 93-4219     | 1    | Tube ASM              |
| 11:1 | 237-30      | 1    | O-Ring                |
| 12   | 108-6063    | 1    | Front Drain Tube ASM  |
| 12:1 | 237-22      | 2    | O-Ring                |
| 13   | 340-68      | 1    | Fitting-Tee, Bulkhead |
| 13:1 | 237-22      | 3    | O-Ring                |
| 14   | 340-70      | 2    | Nut-Lock              |
| 15   | 240-5       | 5    | Grommet-Rubber        |
| 16   | 69-8960     | 5    | Spacer                |
| 17   | 69-8930     | 10   | Washer                |
| 18   | 340-127     | 5    | Nut-Bulkhead          |

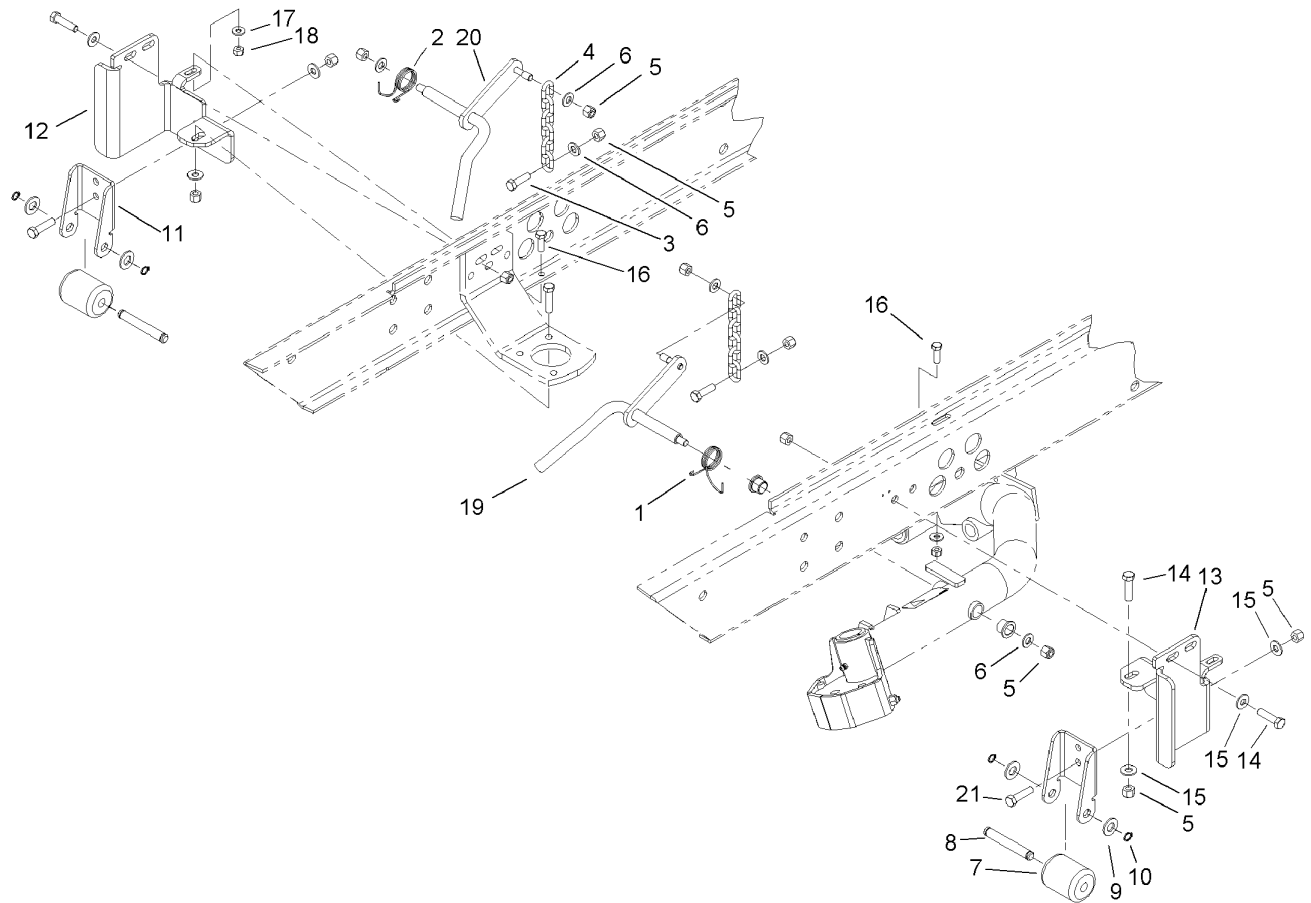
| Ref  | Part No.    | Qty. | Description       |
|------|-------------|------|-------------------|
| 19   | 93-9151     | 2    | Fitting-HYD       |
| 19:1 | 237-30      | 2    | O-Ring            |
| 20   | 32128-43    | 10   | Nut-Flange        |
| 21   | 56-7972     | 4    | Clamp-Tube        |
| 22   | 322-7       | 2    | Screw-HH          |
| 23   | 3296-47     | 2    | Nut-Lock, NI      |
| 24   | 3256-23     | 4    | Washer-Flat       |
| 25   | 99-5617     | 5    | Sleeve-Protective |
| 27   | 104-3730    | 1    | Drain Tube ASM    |
| 28   | 93-9783     | 10   | O-Ring            |
| 30   | 105-4011-03 | 5    | Weight-End        |
| 31   | 2412-150    | 1    | Clip-J            |
| 32   | 3230-23     | 2    | Screw-CARR        |
| 33   | 32128-20    | 2    | Nut-HF            |



## Hydraulic Motor Assembly No. 108-1447

| Ref | Part No. | Qty. | Description         |
|-----|----------|------|---------------------|
| 1   | 108-6747 | 1    | Kit-Seal            |
| 2   |          | 2    | Ring                |
| 2:1 |          | 2    | Seal-Shaft          |
| 2:2 |          | 2    | Seal-ASM            |
| 2:3 |          | 2    | Seal-ASM            |
| 2:4 |          | 2    | Seal-Anti Extrusion |
| 2:5 |          | 2    | Seal-Relief Valve   |
| 2:6 |          | 2    | Seal-Relief Valve   |
| 2   | 108-6748 | 2    | Cartridge-Relief    |
| 2:1 |          | 1    | Seal ASM            |
| 2:2 |          | 1    | Seal ASM            |
| 3   |          | 1    | Body                |
| 4   |          | 1    | Gear-Drive          |
| 5   |          | 1    | Gear-Driven         |
| 6   |          | 2    | Pin-Dowel           |
| 7   |          | 1    | Cover-Front         |
| 8   |          | 1    | Ring-Retaining      |
| 9   |          | 2    | Bearing Block       |
| 10  |          | 4    | Screw               |

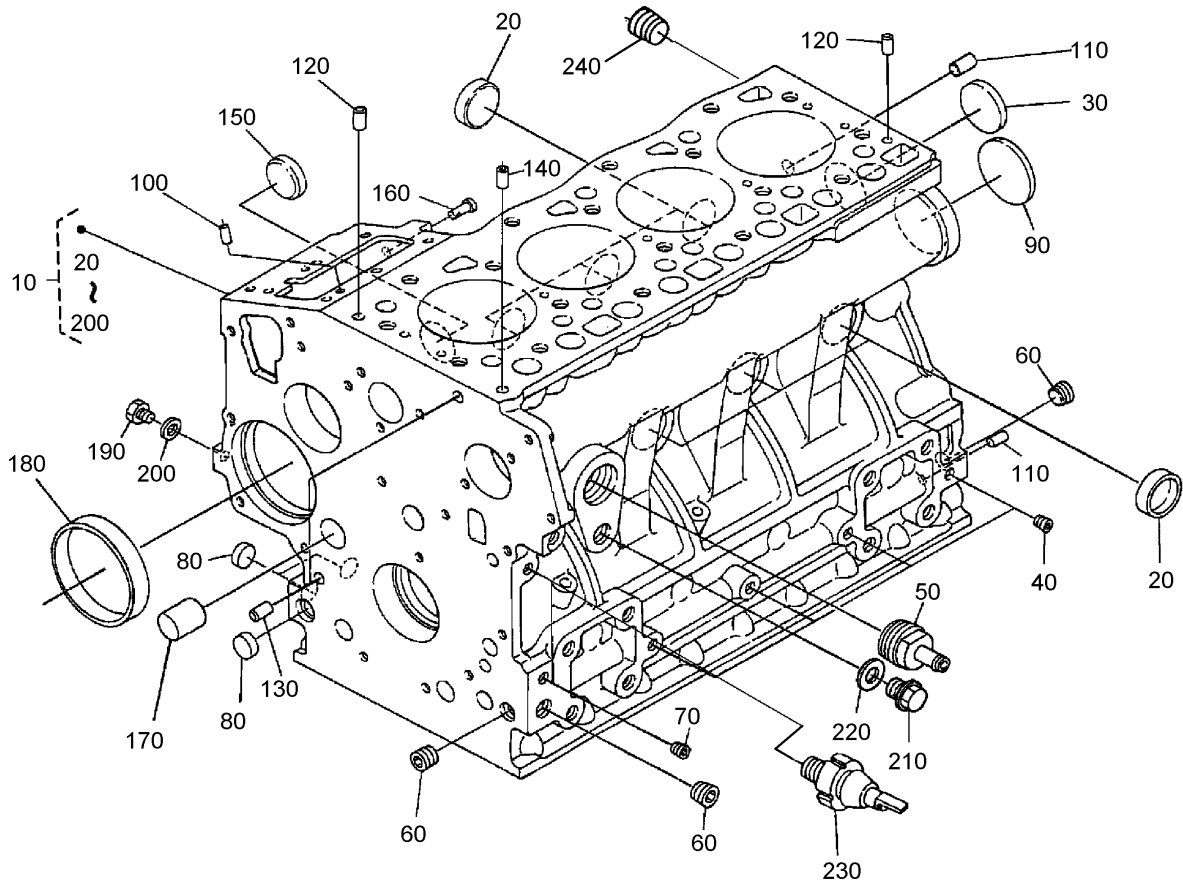
|  |  |  |  |
|--|--|--|--|
|  |  |  |  |
|  |  |  |  |
|  |  |  |  |
|  |  |  |  |



## Rear No. 2 and No. 3 Tipper Support Assembly

| Ref | Part No.    | Qty. | Description                |
|-----|-------------|------|----------------------------|
| 1   | 98-3929     | 1    | Spring-Torsion             |
| 2   | 104-1805    | 1    | Spring-Torsion, LH         |
| 3   | 323-7       | 2    | Screw-HH                   |
| 4   | 5-1096      | 2    | Chain-Lift                 |
| 5   | 3296-39     | 16   | Nut-Lock, NI               |
| 6   | 3256-24     | 6    | Washer-Flat                |
| 7   | 75-5390     | 2    | Roller                     |
| 8   | 75-5400     | 2    | Pin-Roller                 |
| 9   | 3256-26     | 4    | Washer-Flat                |
| 10  | 32151-61    | 4    | Ring-Retaining             |
| 11  | 100-3892-03 | 2    | Bracket-Tipper, Rear       |
| 12  | 100-3866-03 | 1    | Support-Tipper Bracket, RH |
| 13  | 100-3867-03 | 1    | Support-Tipper Bracket, LH |
| 14  | 323-8       | 6    | Screw-HH                   |
| 15  | 3256-3      | 10   | Washer-Flat                |
| 16  | 322-5       | 2    | Screw-HH                   |
| 17  | 3256-2      | 2    | Washer-Flat                |
| 18  | 3296-29     | 2    | Nut-Lock, NI               |
| 19  | 105-0126-03 | 1    | LH Pivot Rod ASM           |
| 20  | 105-0127-03 | 1    | RH Pivot Rod ASM           |
| 21  | 323-6       | 4    | Screw-HH                   |

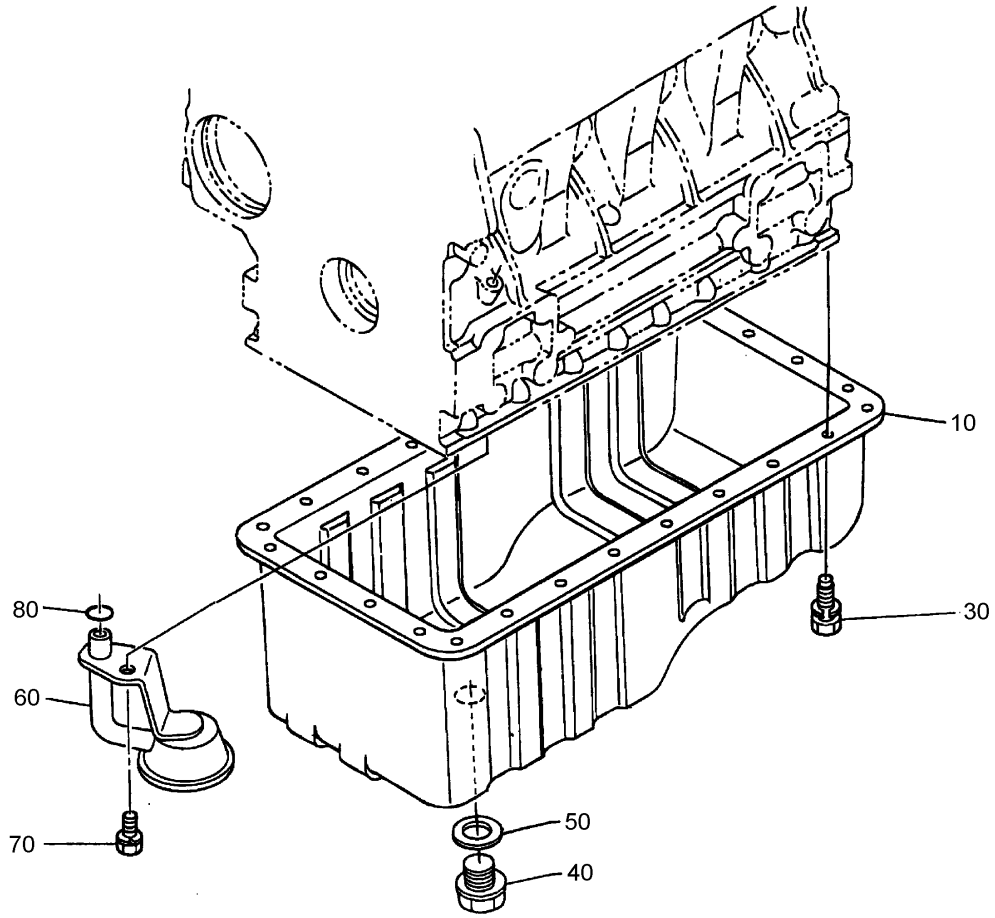
|  |  |  |  |
|--|--|--|--|
|  |  |  |  |
|--|--|--|--|



# Crankcase Assembly

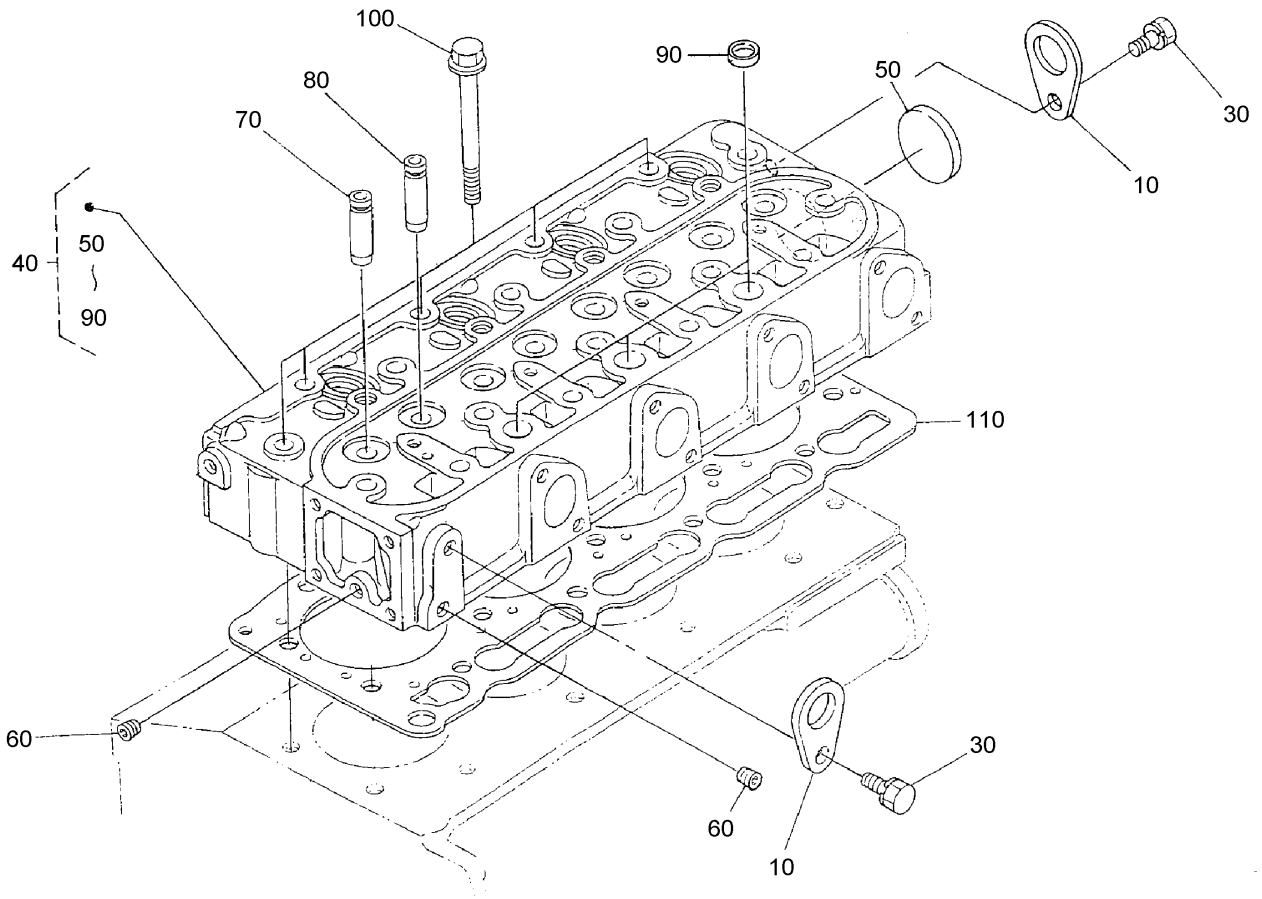
| Ref | Part No. | Qty. | Description            |
|-----|----------|------|------------------------|
| 10  | 108-4429 | 1    | Crankcase ASM          |
| 20  | 98-9398  | 6    | Cap-Sealing            |
| 30  | 98-7539  | 1    | Cap-Sealing            |
| 40  | 98-7540  | 4    | Plug                   |
| 50  | 99-8347  | 1    | Joint-Pipe, Drain      |
| 60  | 98-9597  | 3    | Plug                   |
| 70  | 98-7487  | 2    | Plug                   |
| 80  | 98-7489  | 3    | Plug                   |
| 90  | 98-9668  | 1    | Plug                   |
| 100 | 98-9375  | 1    | Pin-Straight           |
| 110 | 98-9377  | 1    | Pin-Straight           |
| 120 | 105-3795 | 2    | Pin-Straight           |
| 130 | 98-9387  | 2    | Pin-Pipe               |
| 140 | 98-9539  | 1    | Pin-Pipe               |
| 150 | 98-9599  | 1    | Plug                   |
| 160 | 105-3796 | 1    | Pin-Start Spring       |
| 170 | 98-9675  | 1    | Plug                   |
| 180 | 98-9656  | 1    | Bushing-Governor, Gear |
| 190 | 98-7507  | 1    | Plug                   |
| 200 | 98-7428  | 1    | Gasket                 |
| 210 | 99-3447  | 1    | Plug                   |
| 220 | 106-7056 | 1    | Gasket                 |
| 230 | 98-9416  | 1    | Switch-Oil             |
| 240 | 98-9444  | 1    | Plug                   |

|  |  |  |  |  |
|--|--|--|--|--|
|  |  |  |  |  |
|  |  |  |  |  |
|  |  |  |  |  |
|  |  |  |  |  |
|  |  |  |  |  |
|  |  |  |  |  |
|  |  |  |  |  |
|  |  |  |  |  |
|  |  |  |  |  |
|  |  |  |  |  |



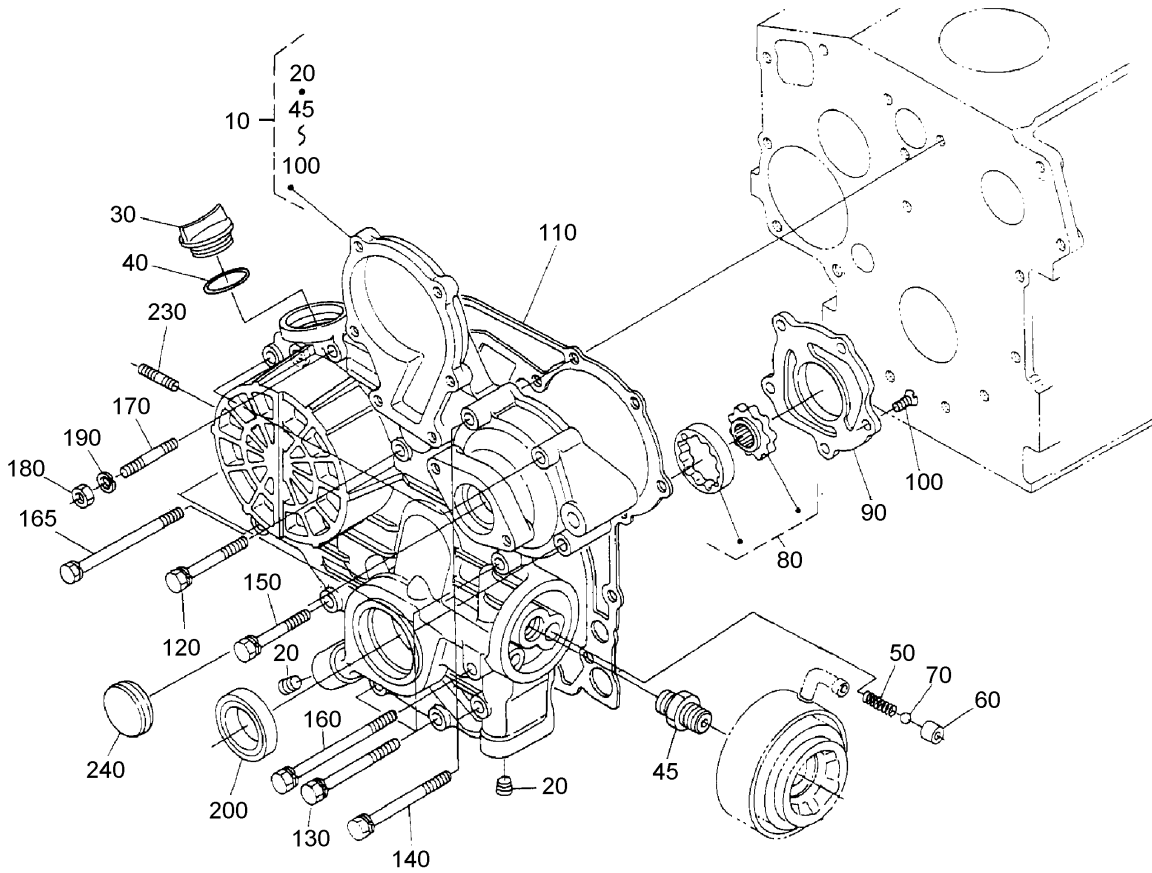
### Oil Pan Assembly

| Ref | Part No. | Qty. | Description |
|-----|----------|------|-------------|
| 10  | 108-4428 | 1    | Oil Pan ASM |
| 30  | 107-9065 | 26   | Bolt        |
| 40  | 105-3703 | 1    | Plug-Drain  |
| 50  | 98-9399  | 1    | Gasket      |
| 60  | 105-3704 | 1    | Filter-Oil  |
| 70  | 98-7526  | 1    | Bolt        |
| 80  | 105-3776 | 1    | O-Ring      |



## Cylinder Head Assembly

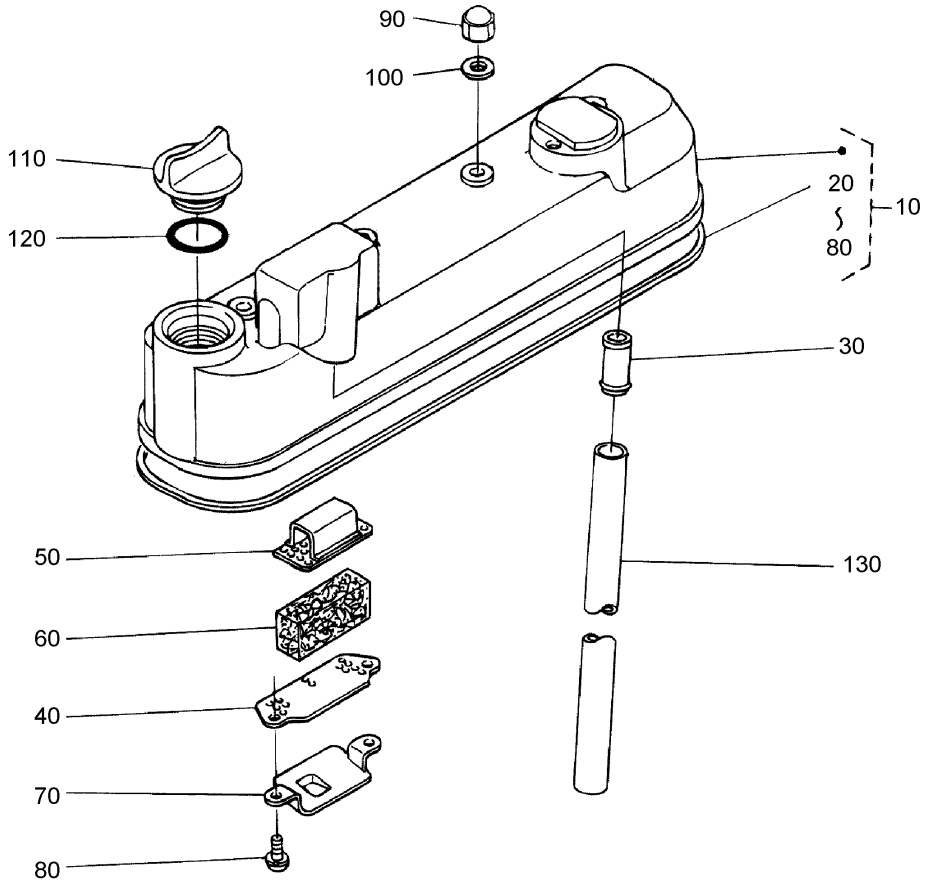
| Ref | Part No. | Qty. | Description           |
|-----|----------|------|-----------------------|
| 10  | 98-7531  | 2    | Hook-Engine           |
| 30  | 100-9195 | 2    | Bolt                  |
| 40  | 108-4421 | 1    | Cylinder Head ASM     |
| 50  | 98-9395  | 1    | Cap-Sealing           |
| 60  | 98-7540  | 2    | Plug                  |
| 70  | 107-9066 | 4    | Guide-Valve, Inlet    |
| 80  | 107-9067 | 4    | Guide-Valve, Exhaust  |
| 90  | 98-9389  | 3    | Cap-Sealing           |
| 100 | 98-9479  | 18   | Bolt-Head, Cylinder   |
| 110 | 108-2855 | 1    | Gasket-Head, Cylinder |



### Gear Case Assembly

| Ref | Part No. | Qty. | Description         |
|-----|----------|------|---------------------|
| 10  | 105-3707 | 1    | Case-Gear, Complete |
| 20  | 98-9598  | 5    | Plug                |
| 30  | 107-9075 | 1    | Plug-Filler, Oil    |
| 40  | 99-3446  | 1    | O-Ring              |
| 45  | 98-9388  | 1    | Joint-Pipe          |
| 50  | 98-9544  | 1    | Spring              |
| 60  | 98-9543  | 1    | Seat-Valve          |
| 70  | 98-9380  | 1    | Ball                |
| 80  | 98-9540  | 1    | Oil Pump Rotor ASM  |
| 90  | 105-3708 | 1    | Cover-Pump, Oil     |
| 100 | 98-9592  | 5    | Screw               |
| 110 | 98-9633  | 1    | Gasket-Case, Gear   |
| 120 | 98-7496  | 3    | Bolt                |
| 130 | 105-3797 | 4    | Bolt                |
| 140 | 98-9356  | 2    | Bolt                |
| 150 | 98-9437  | 1    | Bolt                |
| 160 | 98-9586  | 2    | Bolt                |
| 165 | 99-3511  | 1    | Bolt                |
| 170 | 105-3709 | 1    | Stud                |
| 180 | 98-7572  | 1    | Nut                 |
| 190 | 98-7699  | 1    | Washer-Spring       |
| 200 | 98-9482  | 1    | Seal-Oil            |
| 230 | 105-3710 | 2    | Stud                |
| 240 | 98-9641  | 1    | Cover               |

|  |  |  |  |
|--|--|--|--|
|  |  |  |  |
|--|--|--|--|

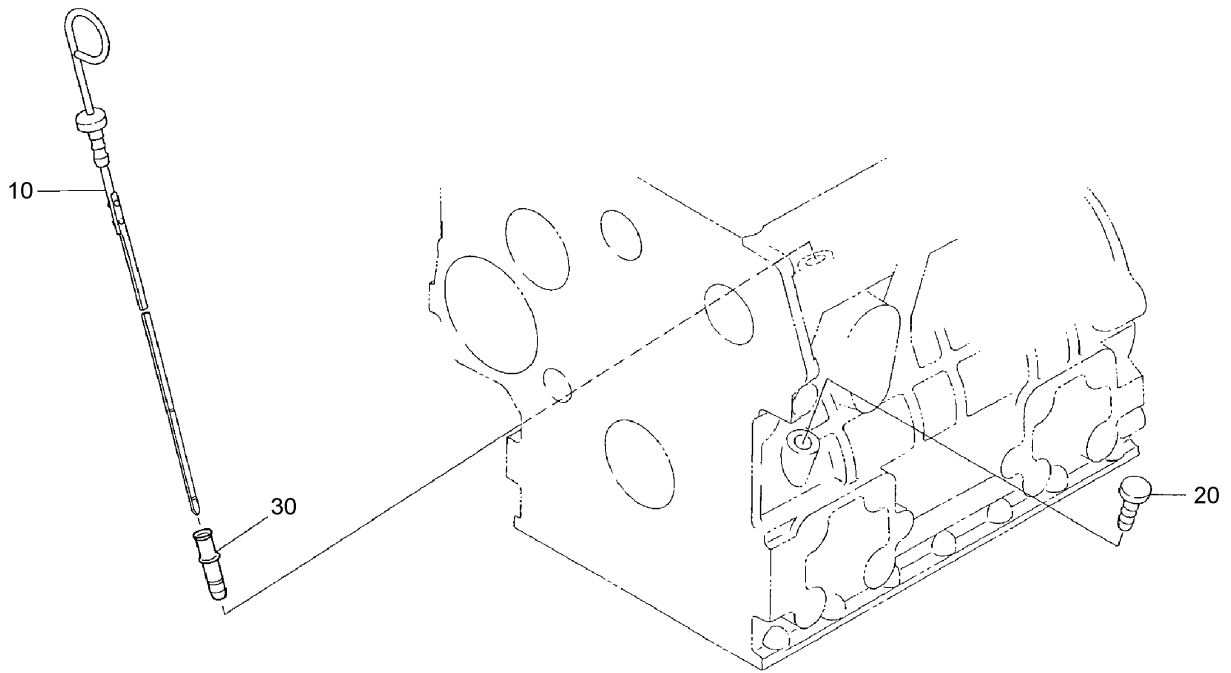


### Head Cover Assembly

| Ref | Part No. | Qty. | Description             |
|-----|----------|------|-------------------------|
| 10  | 105-3711 | 1    | Cylinder Head Cover ASM |
| 20  | 105-3712 | 1    | Gasket-Cover, Head      |
| 30  | 98-9492  | 1    | Joint-Pipe, Breather    |
| 40  | 98-9488  | 1    | Plate-Element, Breather |
| 50  | 98-9489  | 1    | Plate-Element, Breather |
| 60  | 98-9493  | 1    | Element-Breather        |
| 70  | 98-9490  | 1    | Shield-Oil, Breather    |
| 80  | 98-9364  | 2    | Screw (W/Washer)        |
| 90  | 98-9455  | 4    | Nut-Cap                 |
| 100 | 98-9454  | 4    | Gasket                  |
| 110 | 107-9075 | 1    | Plug-Filler, Oil        |
| 120 | 99-3446  | 1    | O-Ring                  |
| 130 | 98-9491  | 1    | Pipe-Breather           |

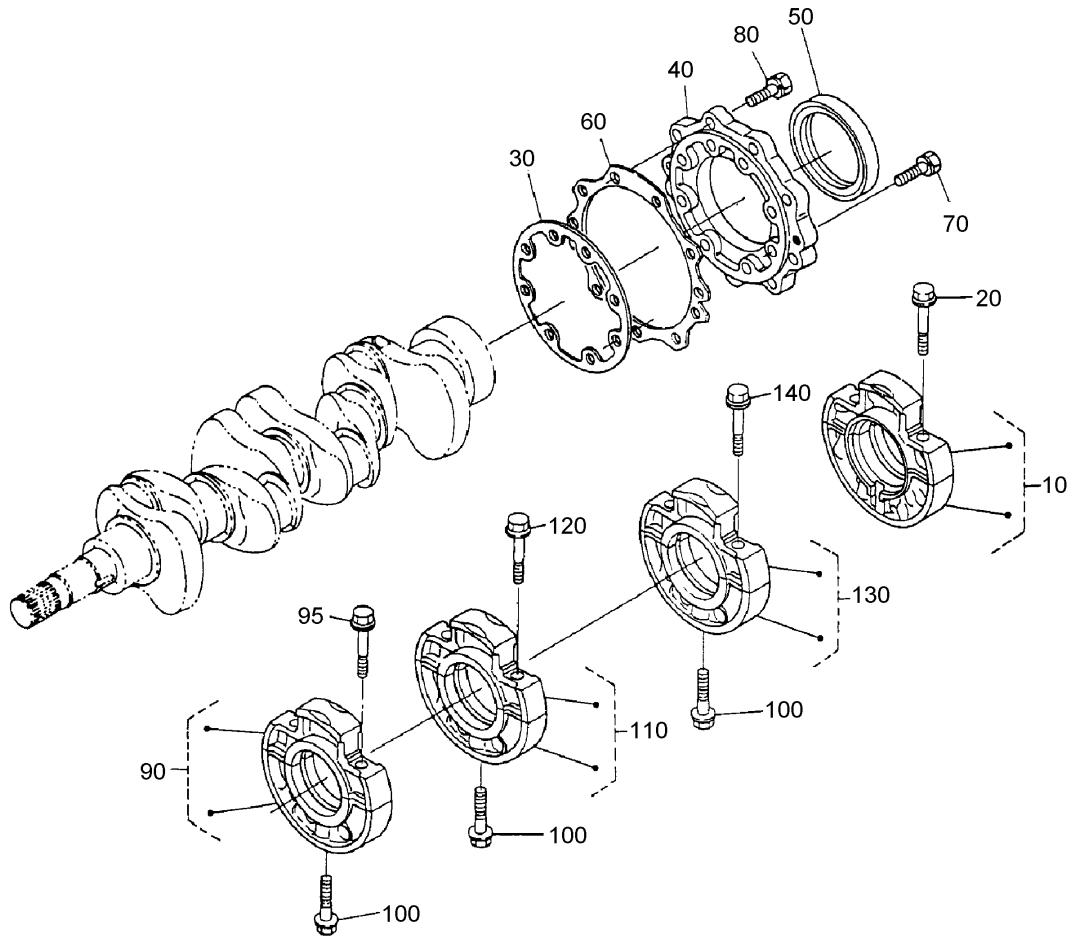
|  |  |  |  |
|--|--|--|--|
|  |  |  |  |
|  |  |  |  |
|  |  |  |  |
|  |  |  |  |
|  |  |  |  |
|  |  |  |  |
|  |  |  |  |
|  |  |  |  |
|  |  |  |  |
|  |  |  |  |
|  |  |  |  |
|  |  |  |  |
|  |  |  |  |
|  |  |  |  |
|  |  |  |  |
|  |  |  |  |
|  |  |  |  |
|  |  |  |  |
|  |  |  |  |
|  |  |  |  |
|  |  |  |  |
|  |  |  |  |
|  |  |  |  |
|  |  |  |  |
|  |  |  |  |





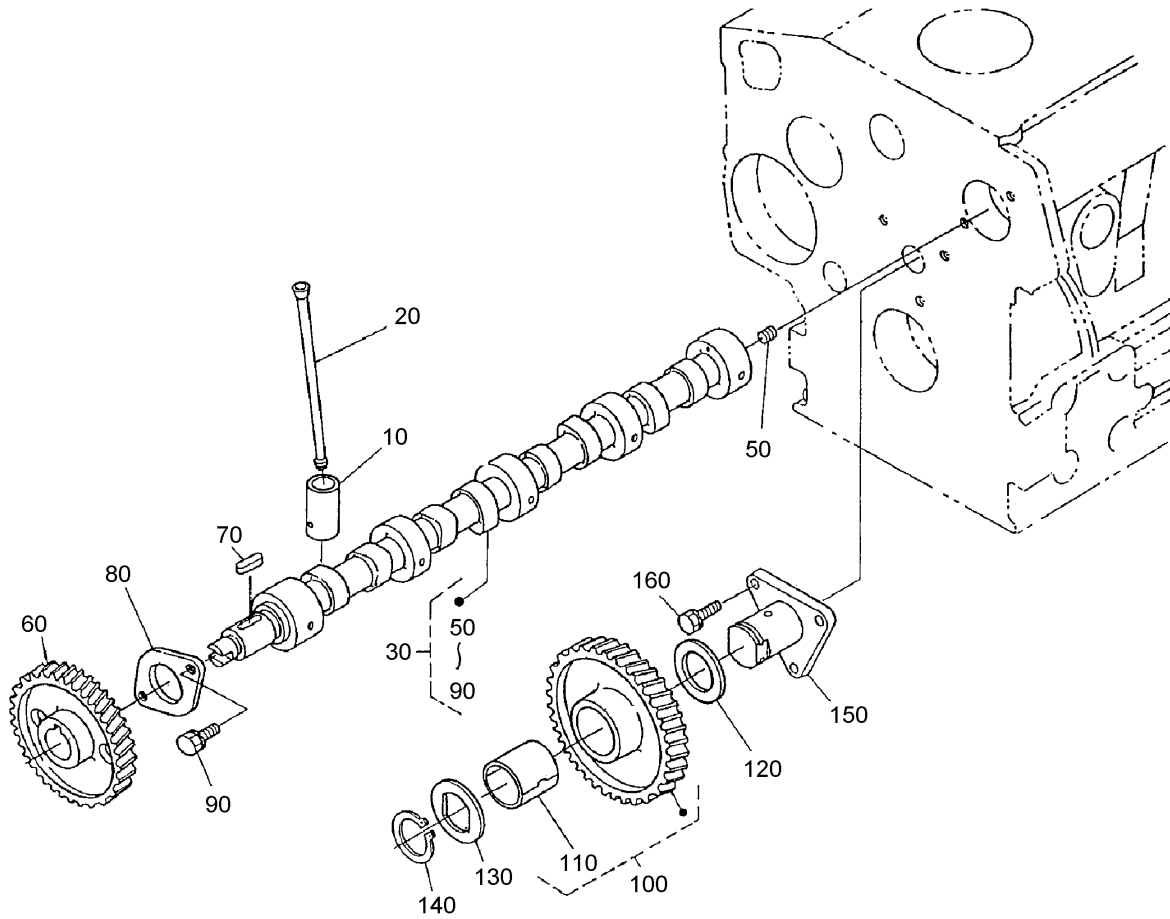
### Dipstick and Guide Assembly

| Ref | Part No. | Qty. | Description      |  |  |  |  |
|-----|----------|------|------------------|--|--|--|--|
| 10  | 105-3714 | 1    | Gauge-Oil        |  |  |  |  |
| 20  | 105-3715 | 1    | Plug-Gauge, Oil  |  |  |  |  |
| 30  | 105-3713 | 1    | Guide-Gauge, Oil |  |  |  |  |
|     |          |      |                  |  |  |  |  |
|     |          |      |                  |  |  |  |  |
|     |          |      |                  |  |  |  |  |
|     |          |      |                  |  |  |  |  |
|     |          |      |                  |  |  |  |  |
|     |          |      |                  |  |  |  |  |
|     |          |      |                  |  |  |  |  |
|     |          |      |                  |  |  |  |  |
|     |          |      |                  |  |  |  |  |
|     |          |      |                  |  |  |  |  |
|     |          |      |                  |  |  |  |  |
|     |          |      |                  |  |  |  |  |
|     |          |      |                  |  |  |  |  |
|     |          |      |                  |  |  |  |  |
|     |          |      |                  |  |  |  |  |
|     |          |      |                  |  |  |  |  |



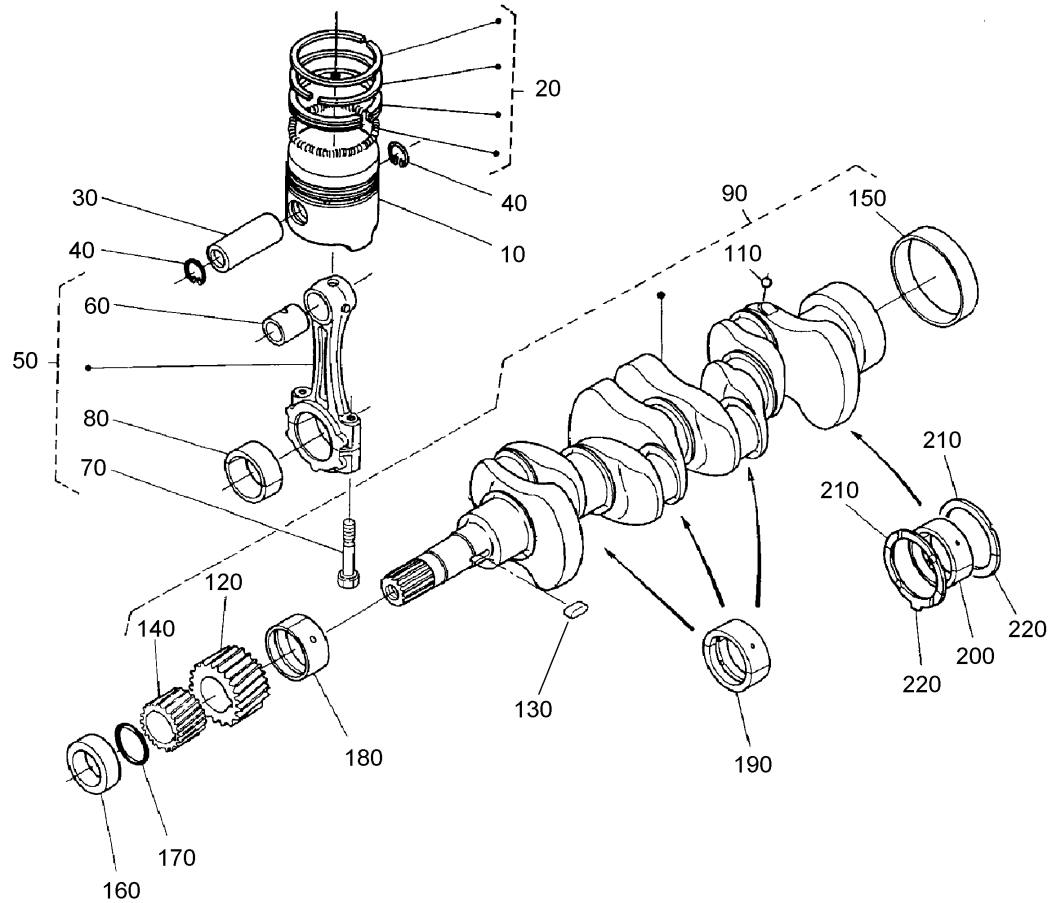
### Main Bearing Case Assembly

| Ref | Part No. | Qty. | Description                |
|-----|----------|------|----------------------------|
| 10  | 98-9480  | 1    | Main Bearing Case ASM      |
| 20  | 98-9484  | 2    | Bolt-Case, Bearing         |
| 30  | 98-9634  | 1    | Gasket-Case, Bearing       |
| 40  | 98-9487  | 1    | Cover-Case, Bearing        |
| 50  | 98-9483  | 1    | Seal-Oil                   |
| 60  | 98-9635  | 1    | Gasket-Cover, Bearing Case |
| 70  | 98-9352  | 8    | Bolt                       |
| 80  | 98-7568  | 9    | Bolt                       |
| 90  | 99-8361  | 1    | Case-Bearing, Main         |
| 95  | 98-9484  | 2    | Bolt-Case, Bearing         |
| 100 | 98-9485  | 3    | Bolt-Case, Bearing         |
| 110 | 99-8360  | 1    | Case-Bearing, Main         |
| 120 | 98-9484  | 2    | Bolt-Case, Bearing         |
| 130 | 105-3716 | 1    | Main Bearing Case ASM      |
| 140 | 98-9484  | 2    | Bolt-Case, Bearing         |



## Camshaft and Idle Gear Shaft Assembly

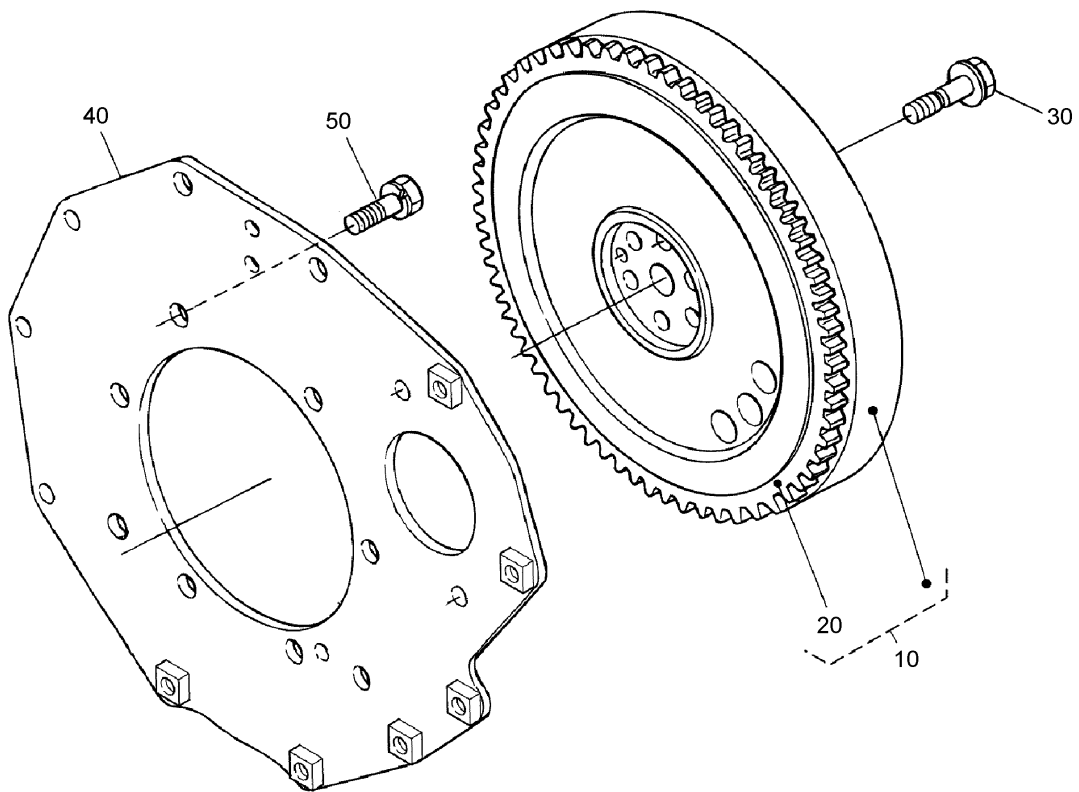
| Ref | Part No. | Qty. | Description              |
|-----|----------|------|--------------------------|
| 10  | 98-9616  | 8    | Tappet                   |
| 20  | 98-9509  | 8    | Rod-Push                 |
| 30  | 105-3717 | 1    | Camshaft ASM             |
| 50  | 98-7449  | 1    | Screw-Set                |
| 60  | 98-9512  | 1    | Gear-Cam                 |
| 70  | 98-9378  | 1    | Key-Feather              |
| 80  | 98-9510  | 1    | Stopper-Camshaft         |
| 90  | 98-7692  | 2    | Bolt                     |
| 100 | 98-9649  | 1    | Idle Gear ASM            |
| 110 | 98-9650  | 1    | Bushing-Gear, Idle       |
| 120 | 98-9535  | 1    | Collar-Gear, Idle        |
| 130 | 98-9536  | 1    | Collar-Gear, Idle        |
| 140 | 98-9534  | 1    | Clip-Circular, Idle Gear |
| 150 | 98-9533  | 1    | Shaft-Gear, Idle         |
| 160 | 98-7692  | 3    | Bolt                     |



## Piston and Crankshaft Assembly

| Ref | Part No. | Qty. | Description                |
|-----|----------|------|----------------------------|
| 10  | 98-9550  | 4    | Piston (STD)               |
| 10  | 108-1417 | 4    | Piston, 0.5Mm              |
| 20  | 98-9551  | 4    | Piston Ring ASM (STD)      |
| 20  | 98-9619  | 4    | Piston Ring ASM (0.5Mm)    |
| 30  | 98-9513  | 4    | Pin-Piston                 |
| 40  | 98-9514  | 8    | Clip-Circular, Piston Pin  |
| 50  | 98-9552  | 4    | Connecting Rod ASM         |
| 60  | 98-9515  | 4    | Bushing-Pin, Piston        |
| 70  | 98-9517  | 8    | Bolt-Rod, Connecting       |
| 80  | 98-9553  | 4    | Bearing-Rod (STD)          |
| 80  | 98-9519  | 4    | Bearing-Rod (0.2Mm)        |
| 80  | 98-9520  | 4    | Bearing-Rod (0.4Mm)        |
| 90  | 105-3718 | 1    | Crankshaft-Complete        |
| 110 | 98-7473  | 4    | Ball                       |
| 120 | 98-9532  | 1    | Gear-Crankshaft            |
| 130 | 98-9666  | 1    | Key                        |
| 140 | 98-9542  | 1    | Gear-Drive, Oil Pump       |
| 150 | 98-9522  | 1    | Sleeve-Crankshaft          |
| 160 | 98-9521  | 1    | Collar-Crankshaft          |
| 170 | 98-9373  | 1    | O-Ring                     |
| 180 | 98-9554  | 1    | *obs* Bearing-Main (STD)   |
| 180 | 98-9528  | 1    | Bearing-Main (0.2Mm)       |
| 180 | 98-9529  | 1    | Bearing-Main (0.4Mm)       |
| 190 | 98-9524  | 3    | Metal-Crankshaft (STD Set) |

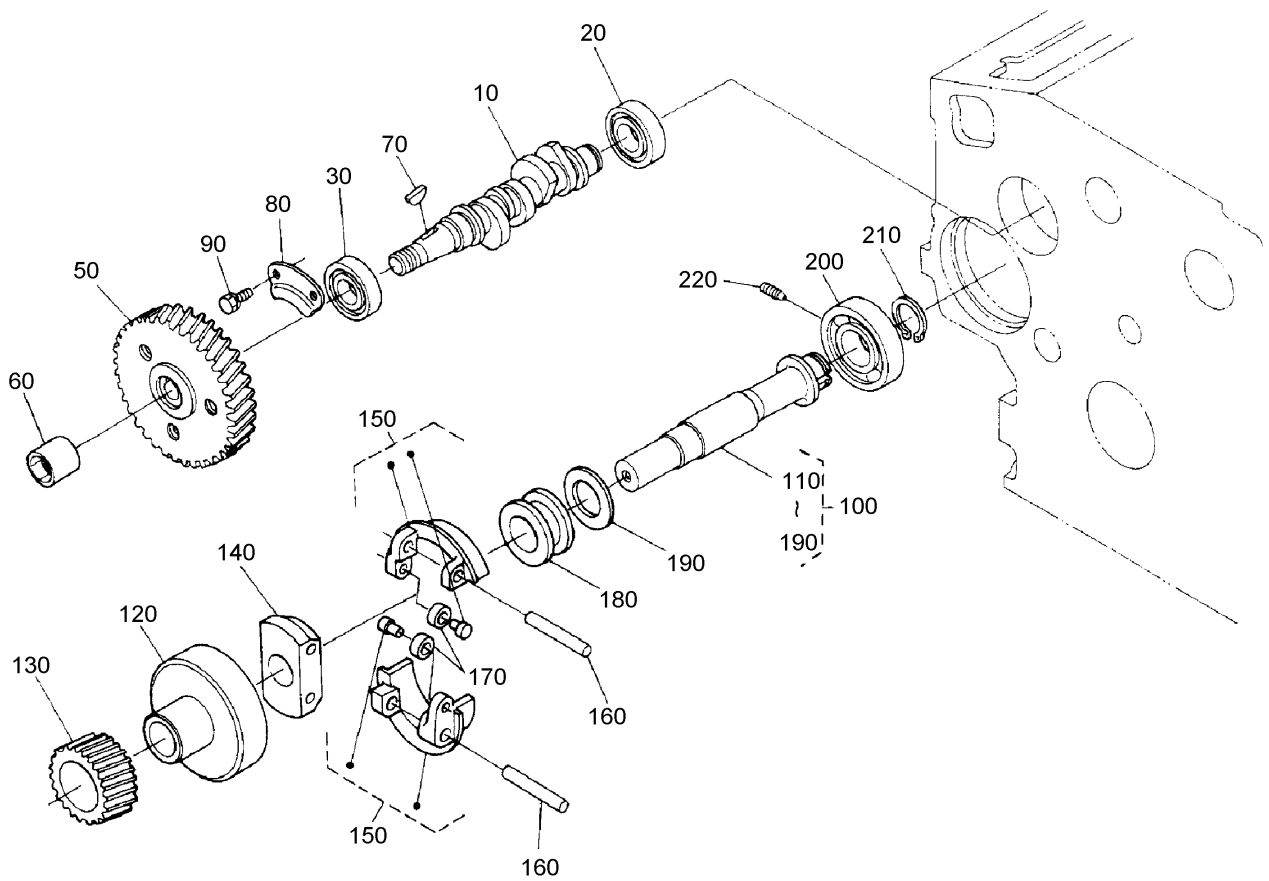
| Ref | Part No. | Qty. | Description             |
|-----|----------|------|-------------------------|
| 190 | 98-9530  | 3    | Bearing-Main (0.2Mm)    |
| 190 | 98-9531  | 3    | Bearing-Main (0.4Mm)    |
| 200 | 98-9556  | 1    | Bearing-Main (STD)      |
| 200 | 105-3719 | 1    | Metal-Crankshaft (.2Mm) |
| 200 | 105-3720 | 1    | Metal-Crankshaft (.4Mm) |
| 210 | 99-6864  | 2    | Metal-Side (STD)        |
| 210 | 98-9414  | 2    | Bearing-Thrust (0.2Mm)  |
| 210 | 98-9415  | 2    | Bearing-Thrust (0.4Mm)  |
| 220 | 99-6867  | 2    | Metal-Side (STD)        |
| 220 | 99-6868  | 2    | Metal-Side, O/S (0.2Mm) |
| 220 | 99-6869  | 2    | Metal-Side, O/S (0.4Mm) |



### Flywheel Assembly

| Ref | Part No. | Qty. | Description       |
|-----|----------|------|-------------------|
| 10  | 105-3721 | 1    | Flywheel-Complete |
| 20  | 105-3722 | 1    | Gear-Ring         |
| 30  | 98-9537  | 6    | Bolt-Flywheel     |
| 40  | 98-9486  | 1    | Plate-End, Rear   |
| 50  | 98-9392  | 8    | Bolt              |

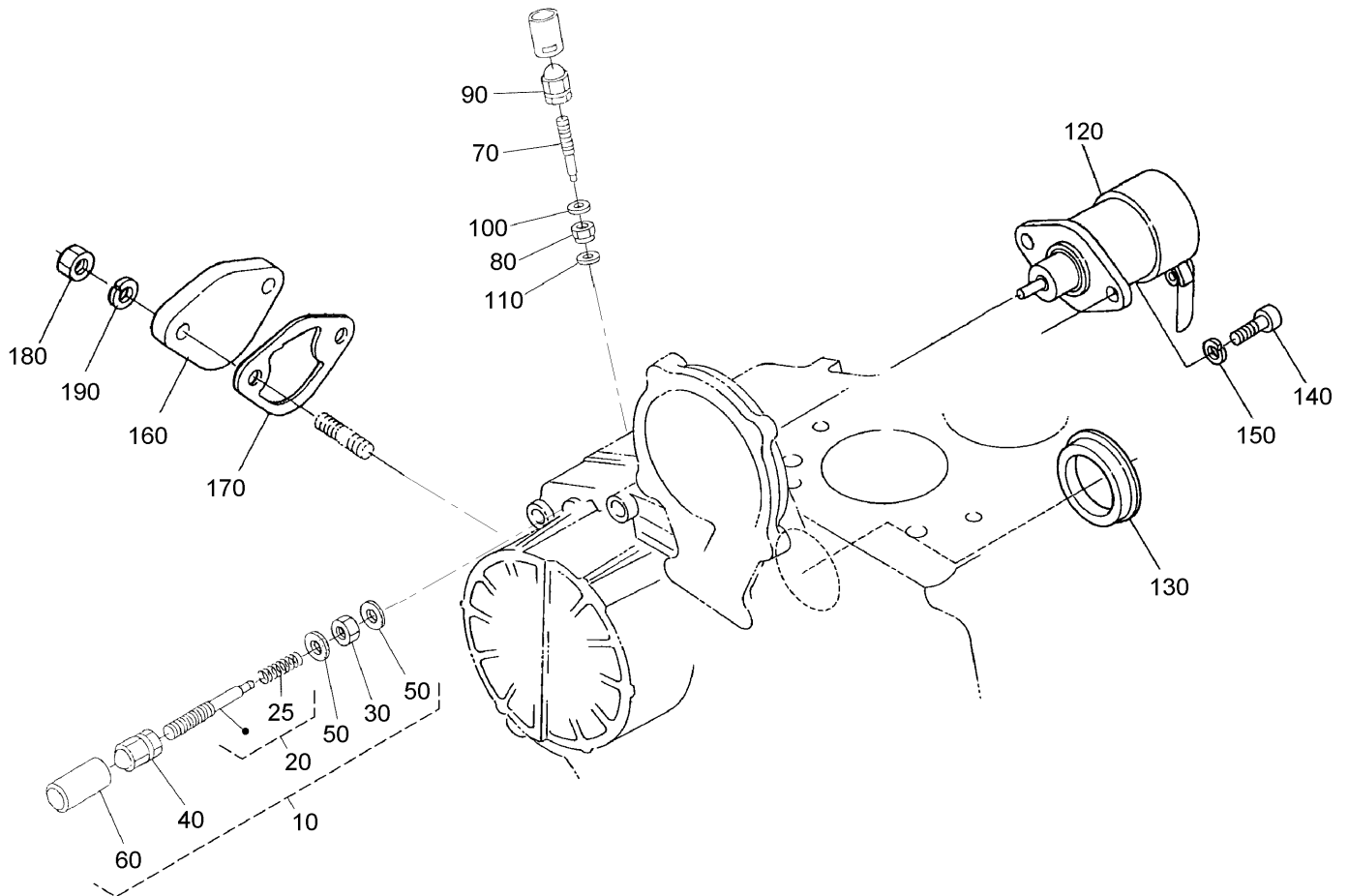
|  |  |  |  |
|--|--|--|--|
|  |  |  |  |
|--|--|--|--|



## Fuel Camshaft and Governor Shaft Assembly

| Ref | Part No. | Qty. | Description                   |
|-----|----------|------|-------------------------------|
| 10  | 105-3723 | 1    | Camshaft-Fuel                 |
| 20  | 107-9077 | 1    | Bearing-Ball                  |
| 30  | 107-9078 | 1    | Bearing-Ball                  |
| 50  | 98-9669  | 1    | Gear-Pump, Injection          |
| 60  | 98-9590  | 1    | Nut-Cap                       |
| 70  | 98-9595  | 1    | Key-Woodruff                  |
| 80  | 98-9511  | 1    | Stopper-Fuel, Camshaft        |
| 90  | 98-7692  | 2    | Bolt                          |
| 100 | 105-3724 | 1    | Governor Shaft ASM            |
| 110 | 105-3725 | 1    | Shaft, Governor               |
| 120 | 98-9562  | 1    | Holder-Gear, Governor         |
| 130 | 98-9673  | 1    | Gear-Governor                 |
| 140 | 98-9561  | 1    | Holder-Weight, Governor       |
| 150 | 98-9559  | 2    | Governor Weight ASM           |
| 160 | 98-9560  | 2    | Shaft-Weight, Governor        |
| 170 | 98-9692  | 2    | Roller                        |
| 180 | 98-9563  | 1    | Sleeve-Governor               |
| 190 | 98-9564  | 1    | Washer-Thrust                 |
| 200 | 107-9079 | 1    | Bearing-Ball                  |
| 210 | 98-9657  | 1    | Clip-Circular, Governor Shaft |
| 220 | 98-9565  | 1    | Screw-Set                     |

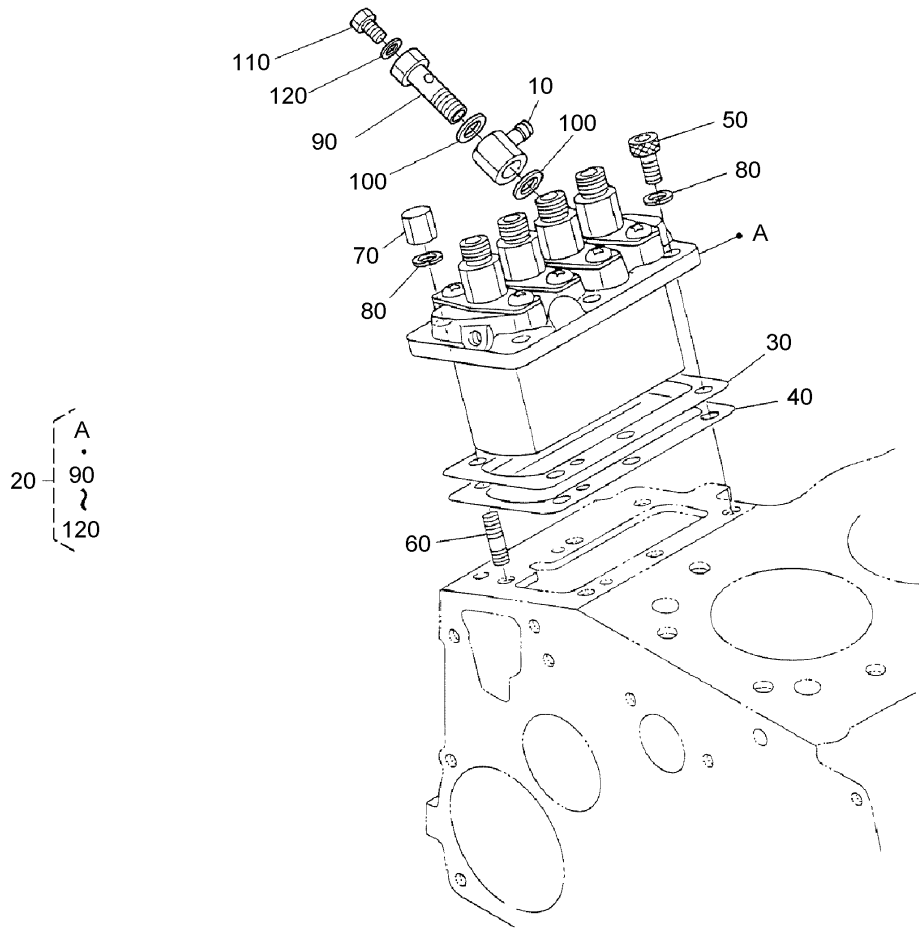
|  |  |  |  |
|--|--|--|--|
|  |  |  |  |
|  |  |  |  |
|  |  |  |  |
|  |  |  |  |



### Idle Apparatus, Stop Solenoid and Cover Assembly

| Ref | Part No. | Qty. | Description        |
|-----|----------|------|--------------------|
| 10  | 105-3726 | 1    | Idle Apparatus ASM |
| 20  | 104-4802 | 1    | Adjusting Bolt ASM |
| 25  | 107-9080 | 1    | Spring             |
| 30  | 98-9439  | 1    | Nut                |
| 40  | 99-8387  | 1    | Nut-Cap            |
| 50  | 98-7654  | 2    | Gasket             |
| 60  | 98-7656  | 1    | Cap                |
| 70  | 98-9557  | 1    | Bolt-Adjusting     |
| 80  | 99-3512  | 1    | Nut                |
| 90  | 99-8387  | 1    | Nut-Cap            |
| 100 | 98-7654  | 1    | Gasket             |
| 110 | 107-9081 | 1    | Gasket             |
| 120 | 104-5155 | 1    | Solenoid-Stop      |
| 130 | 98-9640  | 1    | Cover-Pump         |
| 140 | 105-3799 | 2    | Bolt-HSH           |
| 150 | 98-7699  | 2    | Washer-Spring      |
| 160 | 99-3514  | 1    | Cover              |
| 170 | 98-9636  | 1    | Gasket-Pump, Fuel  |
| 180 | 98-7572  | 2    | Nut                |
| 190 | 98-7699  | 2    | Washer-Spring      |

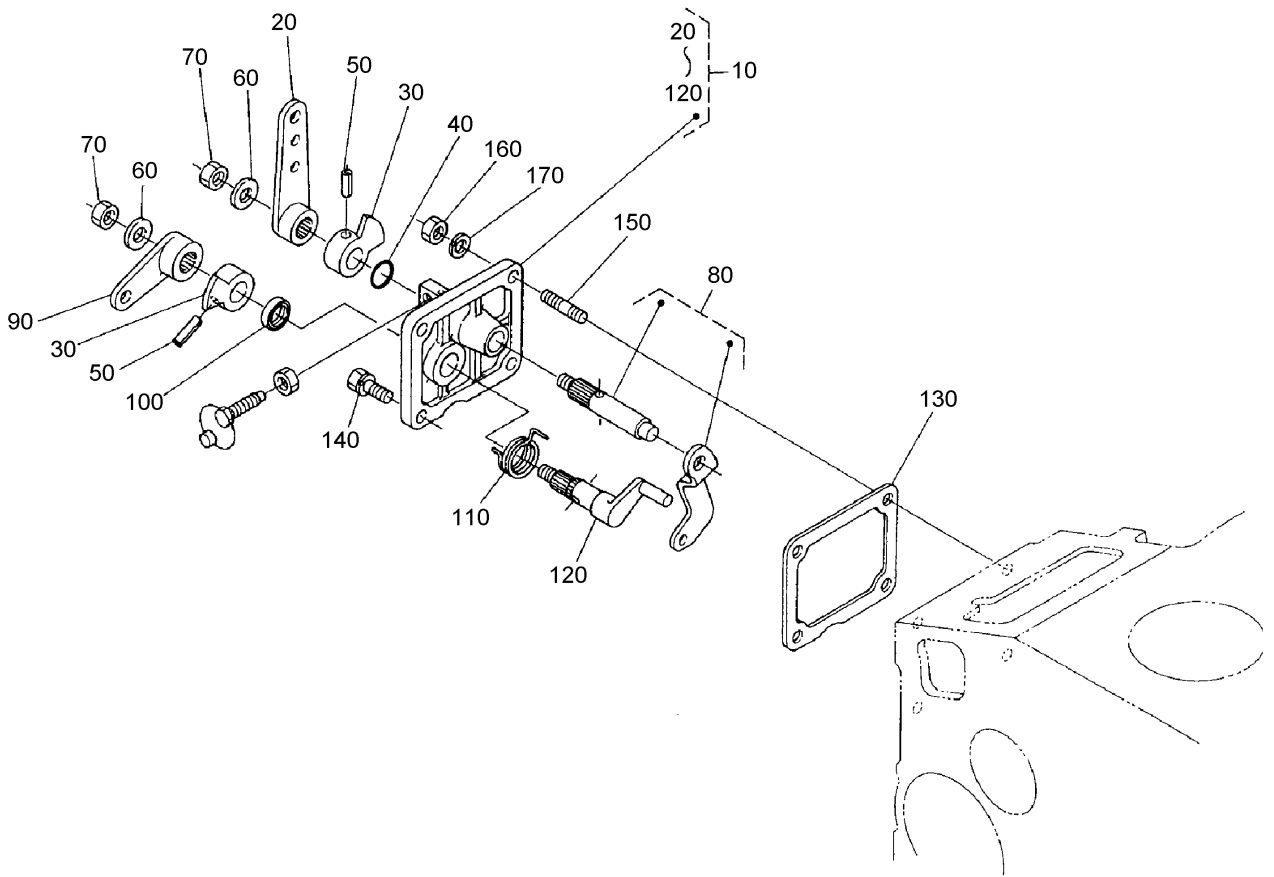
|  |  |  |  |
|--|--|--|--|
|  |  |  |  |
|  |  |  |  |
|  |  |  |  |
|  |  |  |  |



### Injection Pump Assembly

| Ref | Part No. | Qty. | Description                  |
|-----|----------|------|------------------------------|
| 10  | 98-9596  | 1    | Joint-Eye                    |
| 20  | 105-3727 | 1    | Injection Pump ASM           |
| 30  | 105-3728 | 1    | Shim-Pump, Injection (.20Mm) |
| 30  | 105-3729 | 1    | Shim-Pump, Injection (.25Mm) |
| 40  | 105-3730 | 1    | Shim-Pump, Injection (.30Mm) |
| 50  | 98-9361  | 3    | Bolt-HSH                     |
| 60  | 98-9438  | 3    | Stud                         |
| 70  | 98-9440  | 3    | Nut-Cap                      |
| 80  | 98-7699  | 6    | Washer-Spring                |
| 90  | 98-9464  | 1    | Bolt-Joint                   |
| 100 | 98-9445  | 2    | Gasket                       |
| 110 | 98-9430  | 1    | Screw                        |
| 120 | 98-9446  | 1    | Gasket                       |

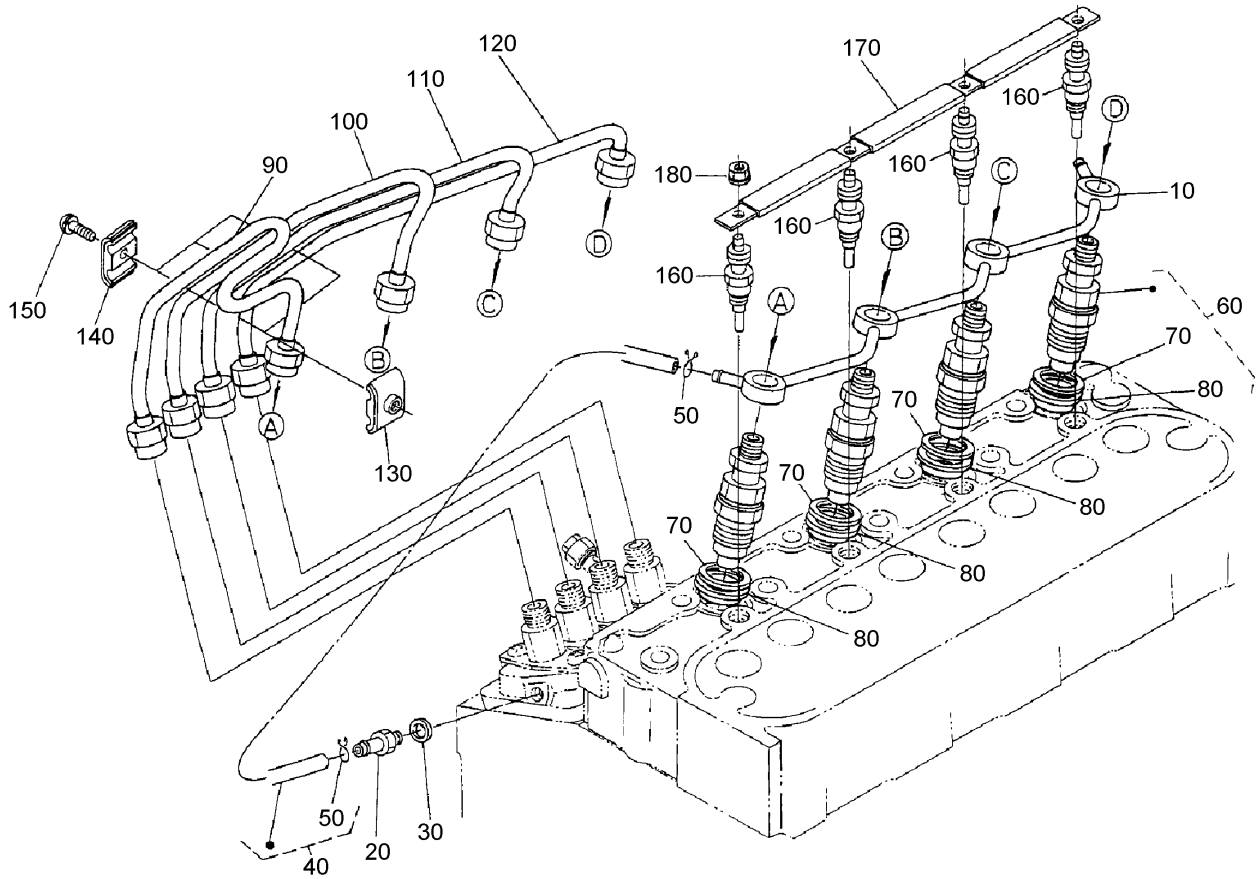




## Speed Control Plate Assembly

| Ref | Part No. | Qty. | Description          |
|-----|----------|------|----------------------|
| 10  | 105-3735 | 1    | Control Plate ASM    |
| 20  | 98-9662  | 1    | Lever-Control, Speed |
| 30  | 98-9572  | 2    | Lever-Control, Speed |
| 40  | 105-3788 | 1    | O-Ring               |
| 50  | 98-7602  | 2    | Pin-Spring           |
| 60  | 98-9594  | 2    | Washer-Plain         |
| 70  | 98-9589  | 2    | Nut                  |
| 80  | 98-9658  | 1    | Governor Lever ASM   |
| 90  | 98-9663  | 1    | Lever-Stop, Engine   |
| 100 | 98-7601  | 1    | Seal-Oil             |
| 110 | 98-9472  | 1    | Spring-Return        |
| 120 | 98-9664  | 1    | Shaft-Lever, Stop    |
| 130 | 98-9637  | 1    | Gasket               |
| 140 | 98-7692  | 2    | Bolt                 |
| 150 | 105-3710 | 2    | Stud                 |
| 160 | 98-7572  | 2    | Nut                  |
| 170 | 98-7699  | 2    | Washer-Spring        |

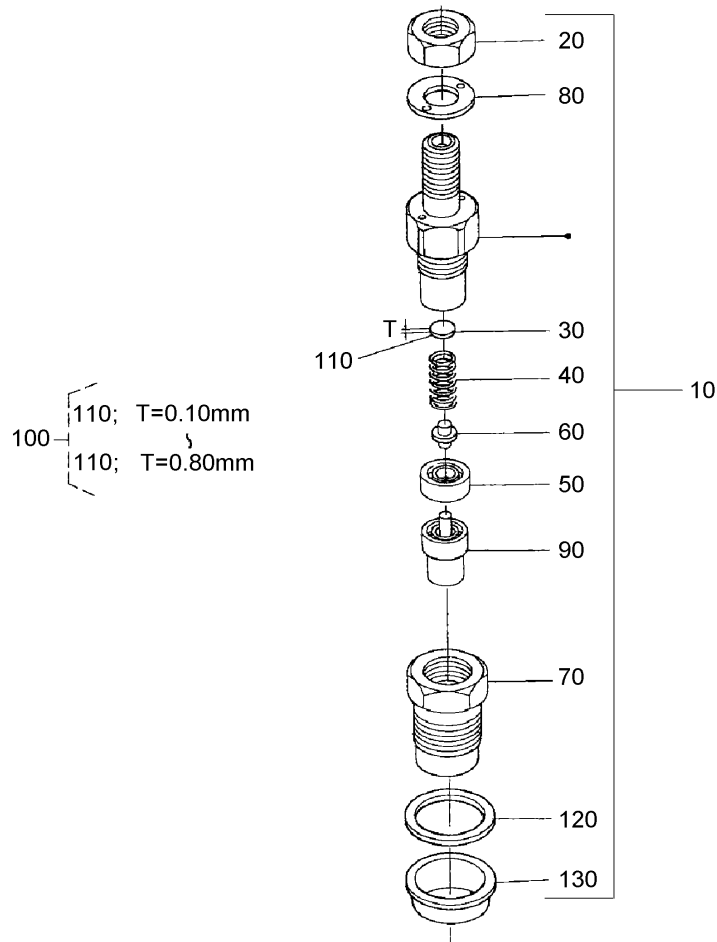
|  |  |  |  |
|--|--|--|--|
|  |  |  |  |
|--|--|--|--|



## Nozzle Holder and Glow Plug Assembly

| Ref | Part No. | Qty. | Description        |
|-----|----------|------|--------------------|
| 10  | 105-3737 | 1    | Over Flow Pipe ASM |
| 20  | 98-9431  | 1    | Screw-Bleeder      |
| 30  | 98-7654  | 1    | Gasket             |
| 40  | 98-9420  | 1    | Over Flow Pipe ASM |
| 50  | 98-7671  | 2    | Clip-Pipe          |
| 60  | 108-2866 | 4    | Nozzle Holder Kit  |
| 70  | 98-7676  | 4    | Gasket             |
| 80  | 98-7677  | 4    | Seal               |
| 90  | 98-9622  | 1    | Pipe-Injection     |
| 100 | 98-9654  | 1    | Pipe-Injection     |
| 110 | 98-9655  | 1    | Pipe-Injection     |
| 120 | 105-3738 | 1    | Pipe-Injection     |
| 130 | 98-7682  | 3    | Clamp-Pipe         |
| 140 | 98-7683  | 3    | Clamp-Pipe         |
| 150 | 98-9364  | 3    | Screw (W/Washer)   |
| 160 | 98-9623  | 4    | Plug-Glow          |
| 170 | 105-3739 | 1    | Cord-Plug, Glow    |
| 180 | 99-8377  | 4    | Nut-Flange         |

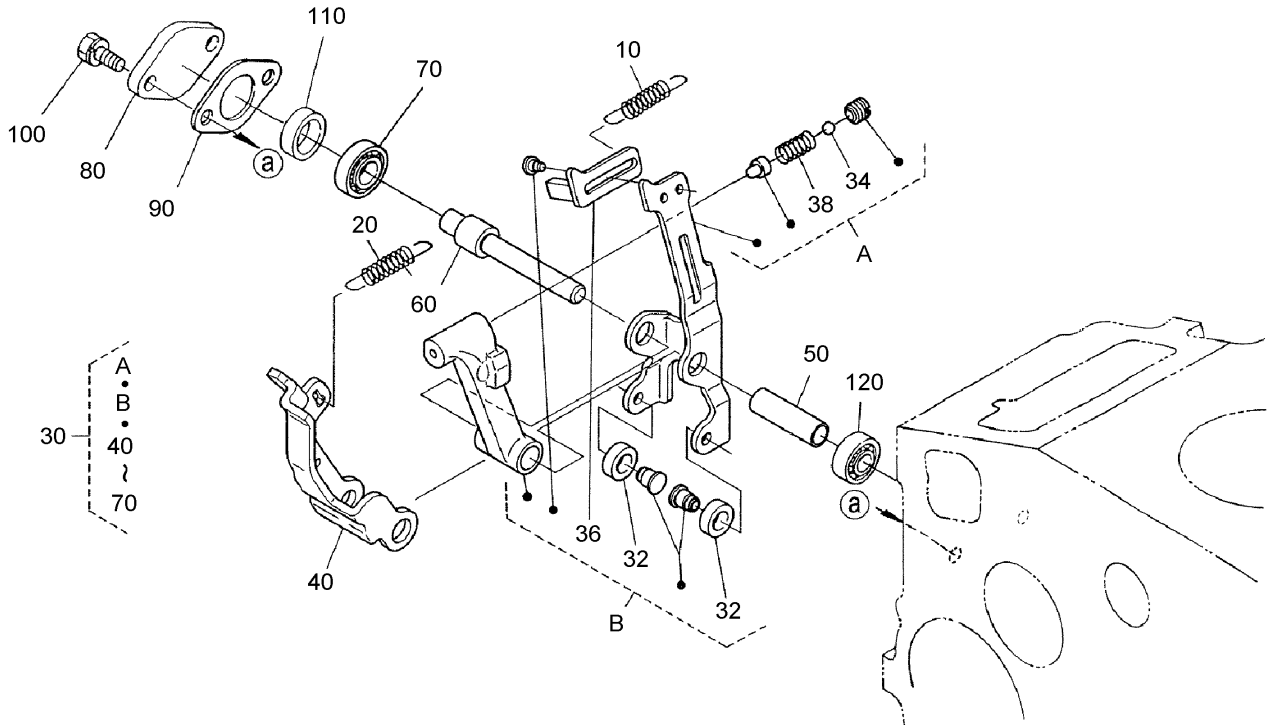
|  |  |  |  |
|--|--|--|--|
|  |  |  |  |
|  |  |  |  |
|  |  |  |  |
|  |  |  |  |



## Nozzle Holder Component Assembly

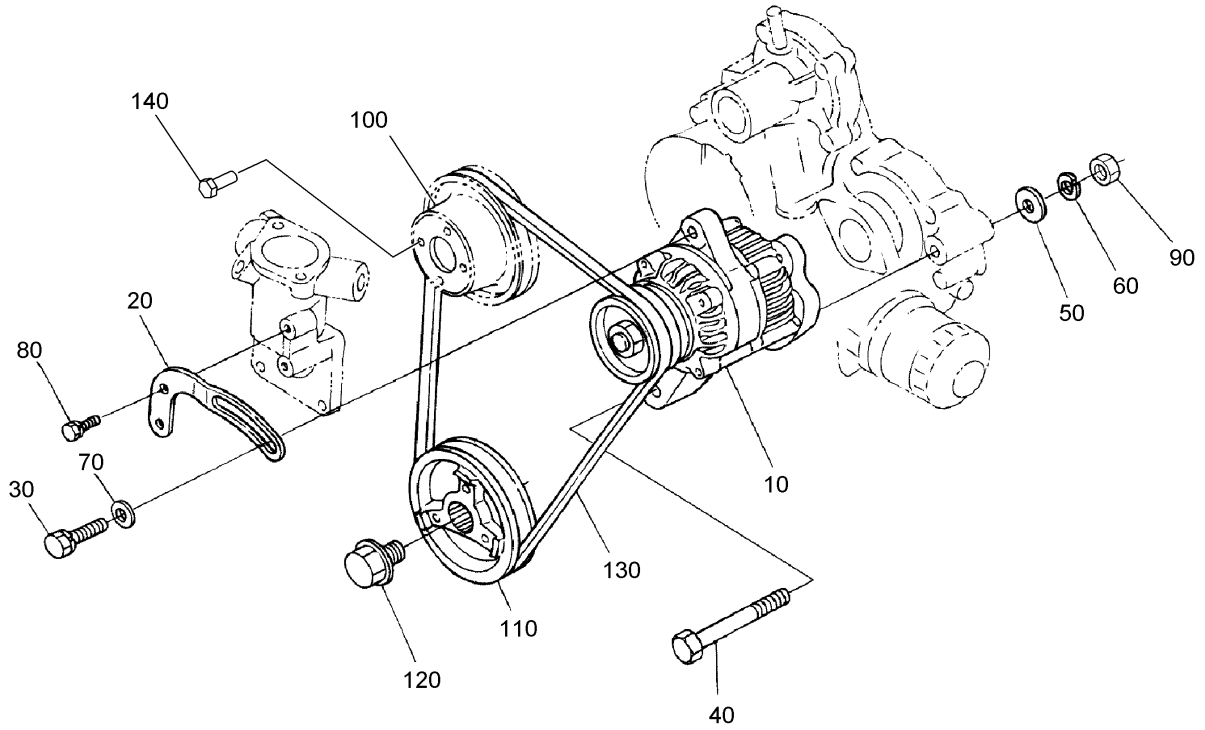
| Ref | Part No. | Qty. | Description            |
|-----|----------|------|------------------------|
| 10  | 108-2866 | 4    | Nozzle Holder Kit      |
| 20  | 99-8301  | 4    | Nut                    |
| 30  | 99-8302  | 4    | Washer-Adjusting       |
| 40  | 99-8303  | 4    | Spring-Nozzle          |
| 50  | 99-8304  | 4    | Spacer-Distance        |
| 60  | 99-8305  | 4    | Rod-Push               |
| 70  | 99-8306  | 4    | Nut-Nozzle             |
| 80  | 99-8307  | 4    | Washer-Plain           |
| 90  | 107-7826 | 4    | Piece-Nozzle           |
| 100 | 99-8309  | 4    | Adjusting Washer ASM   |
| 110 | 99-8310  | 4    | Washer-Adjust (0.10Mm) |
| 110 | 99-8311  | 4    | Washer-Adjust (0.20Mm) |
| 110 | 99-8312  | 4    | Washer-Adjust (0.30Mm) |
| 110 | 99-8313  | 4    | Washer-Adjust (0.40Mm) |
| 110 | 99-8314  | 4    | Washer-Adjust (0.50Mm) |
| 110 | 99-8315  | 4    | Washer-Adjust (0.52Mm) |
| 110 | 99-8316  | 4    | Washer-Adjust (0.54Mm) |
| 110 | 99-8317  | 4    | Washer-Adjust (0.56Mm) |
| 110 | 99-8318  | 4    | Washer-Adjust (0.58Mm) |
| 110 | 99-8319  | 4    | Washer-Adjust (0.80Mm) |
| 120 | 98-7676  | 4    | Gasket                 |
| 130 | 98-7677  | 4    | Seal                   |

|  |  |  |  |
|--|--|--|--|
|  |  |  |  |
|  |  |  |  |
|  |  |  |  |
|  |  |  |  |



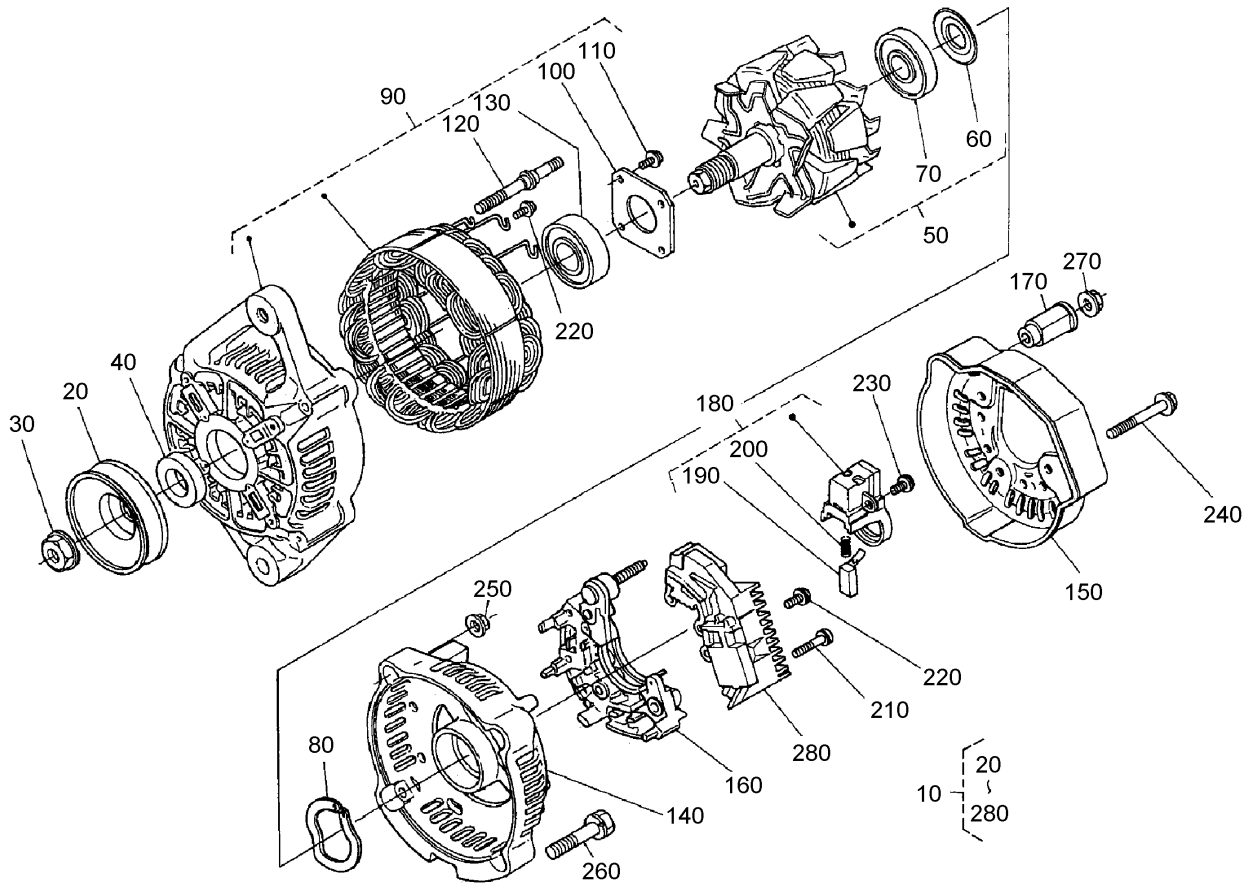
## Fork Lever (Governor) Assembly

| Ref | Part No. | Qty. | Description             |  |
|-----|----------|------|-------------------------|--|
| 10  | 105-3741 | 1    | Spring-Start            |  |
| 20  | 98-9681  | 1    | Spring-Governor         |  |
| 30  | 108-4427 | 1    | Fork Lever ASM          |  |
| 32  | 98-9692  | 2    | Roller                  |  |
| 34  | 98-7580  | 2    | Ball                    |  |
| 36  | 107-9083 | 1    | Lever-Thrust            |  |
| 38  | 108-2867 | 1    | Spring                  |  |
| 40  | 107-9084 | 1    | Lever-Fork              |  |
| 50  | 107-9085 | 1    | Shaft-Lever, Fork       |  |
| 60  | 107-9086 | 1    | Shaft-Lever, Fork       |  |
| 70  | 98-9570  | 1    | Bearing-Miniaturize     |  |
| 80  | 98-9569  | 1    | Cover-Shaft, Fork Lever |  |
| 90  | 98-9682  | 1    | Gasket                  |  |
| 100 | 98-9351  | 2    | Bolt                    |  |
| 110 | 98-9567  | 1    | Collar                  |  |
| 120 | 98-9571  | 1    | Bearing-Miniaturize     |  |



## Alternator and Pulley Assembly

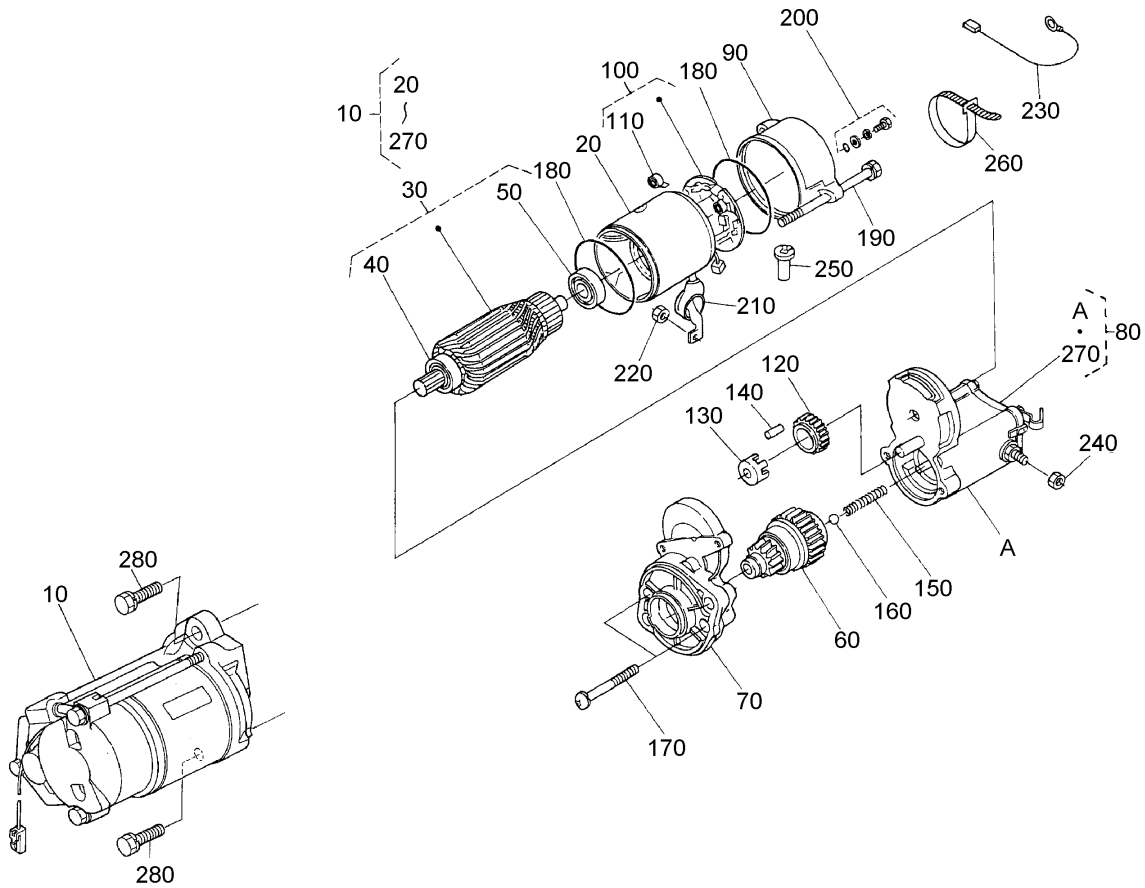
| Ref | Part No. | Qty. | Description       |
|-----|----------|------|-------------------|
| 10  | 98-9474  | 1    | Alternator ASM    |
| 20  | 98-9573  | 1    | Stay-Dynamo       |
| 30  | 98-7697  | 1    | Bolt              |
| 40  | 98-9360  | 1    | Bolt              |
| 50  | 33095-00 | 1    | Washer-Flat       |
| 60  | 98-7738  | 1    | Washer-Spring     |
| 70  | 100-9233 | 1    | Washer-Plain      |
| 80  | 98-7692  | 1    | Bolt              |
| 90  | 99-7526  | 1    | Nut               |
| 100 | 98-9584  | 1    | Pulley-Fan        |
| 110 | 105-3745 | 1    | Pulley-Drive, Fan |
| 120 | 98-9585  | 1    | Bolt              |
| 130 | 98-9676  | 1    | V-Belt            |
| 140 | 99-8363  | 4    | Bolt-Flange       |



## Alternator Component Assembly

| Ref | Part No. | Qty. | Description         |
|-----|----------|------|---------------------|
| 10  | 98-9474  | 1    | Alternator ASM      |
| 20  | 98-9453  | 1    | Pulley-Dynamo       |
| 30  | 98-7708  | 1    | Nut                 |
| 40  | 98-7709  | 1    | Collar              |
| 50  | 98-7710  | 1    | Rotor               |
| 60  | 98-7711  | 1    | Cover-Bearing       |
| 70  | 98-7712  | 1    | Bearing-Ball        |
| 80  | 98-7713  | 1    | Washer-Thrust       |
| 90  | 107-0139 | 1    | Drive End Frame ASM |
| 100 | 98-7715  | 1    | Plate-Retainer      |
| 110 | 98-7716  | 4    | Screw-Head, Round   |
| 120 | 98-7717  | 2    | Bolt-Through        |
| 130 | 107-0137 | 1    | Bearing-Ball        |
| 140 | 107-9087 | 1    | Frame-End           |
| 150 | 107-0140 | 1    | Cover-End           |
| 160 | 98-7721  | 1    | Rectifier ASM       |
| 170 | 98-7722  | 1    | Bushing-Insulation  |
| 180 | 107-0141 | 1    | Holder-Brush        |
| 190 | 98-7724  | 2    | Brush               |
| 200 | 98-7725  | 2    | Spring-Brush        |
| 210 | 98-7726  | 2    | Screw-Head, Round   |
| 220 | 98-7727  | 6    | Screw-Head, Round   |
| 230 | 98-7728  | 1    | Screw-Head, Round   |
| 240 | 98-7729  | 3    | Bolt                |

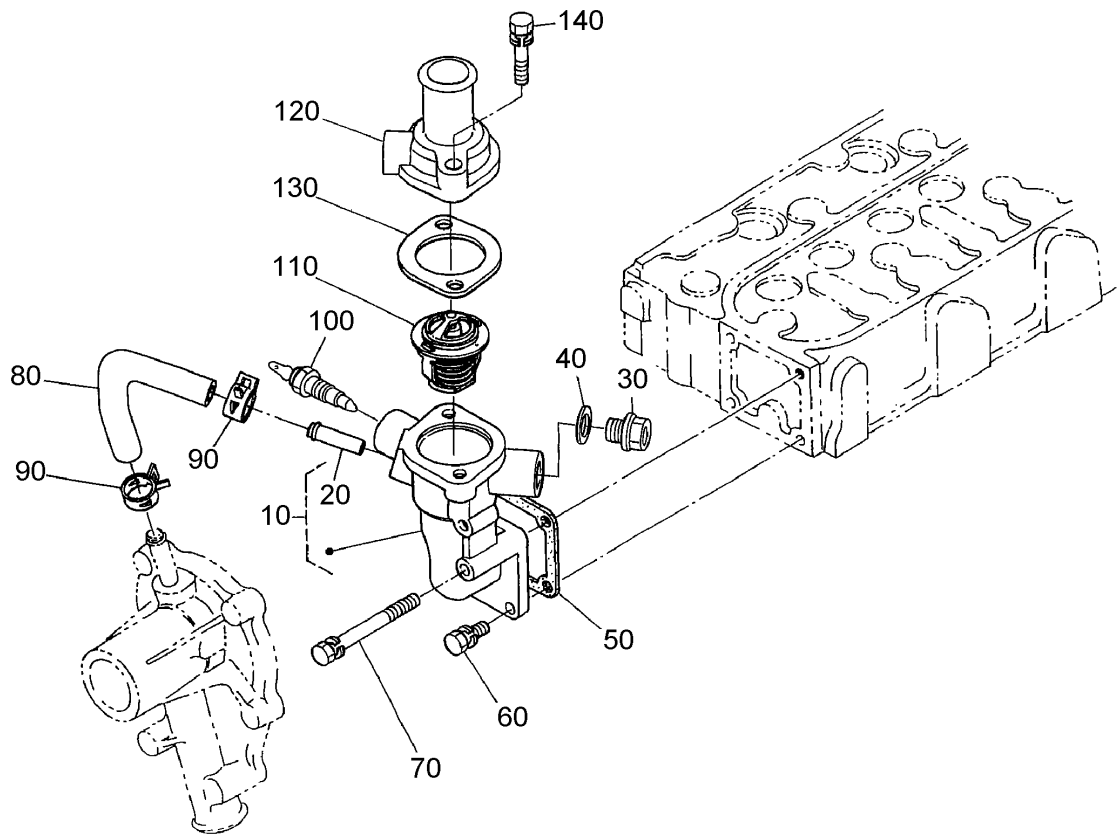
| Ref | Part No. | Qty. | Description   |
|-----|----------|------|---------------|
| 250 | 98-7730  | 2    | Nut           |
| 260 | 98-7731  | 2    | Bolt          |
| 270 | 98-7732  | 1    | Nut           |
| 280 | 107-9088 | 1    | Regulator ASM |



## Starter Assembly

| Ref | Part No. | Qty. | Description          |
|-----|----------|------|----------------------|
| 10  | 98-9705  | 1    | Starter ASM          |
| 20  | 104-8608 | 1    | Yoke ASM             |
| 30  | 98-7742  | 1    | Armature ASM         |
| 40  | 98-7744  | 1    | Bearing              |
| 50  | 98-7743  | 1    | Bearing              |
| 60  | 99-8373  | 1    | Clutch-Running, Over |
| 70  | 99-8374  | 1    | Frame-End, Drive     |
| 80  | 105-3746 | 1    | Magnetic Switch ASM  |
| 90  | 98-7748  | 1    | Frame-End            |
| 100 | 98-7749  | 1    | Brush Holder ASM     |
| 110 | 98-7750  | 4    | Spring-Brush         |
| 120 | 98-7751  | 1    | Gear                 |
| 130 | 98-7752  | 1    | Retainer             |
| 140 | 98-7753  | 5    | **obs** Roller       |
| 150 | 98-7754  | 1    | Spring               |
| 160 | 98-7755  | 1    | Ball                 |
| 170 | 98-7756  | 2    | Bolt                 |
| 180 | 98-7757  | 2    | O-Ring               |
| 190 | 100-9240 | 2    | Bolt                 |
| 200 | 98-7758  | 2    | Bolt ASM             |
| 210 | 99-8375  | 1    | Cover                |
| 220 | 99-8371  | 1    | Nut-Hex              |
| 230 | 98-9711  | 1    | Cord-Solenoid, Stop  |
| 240 | 99-8376  | 1    | Nut-Hex              |

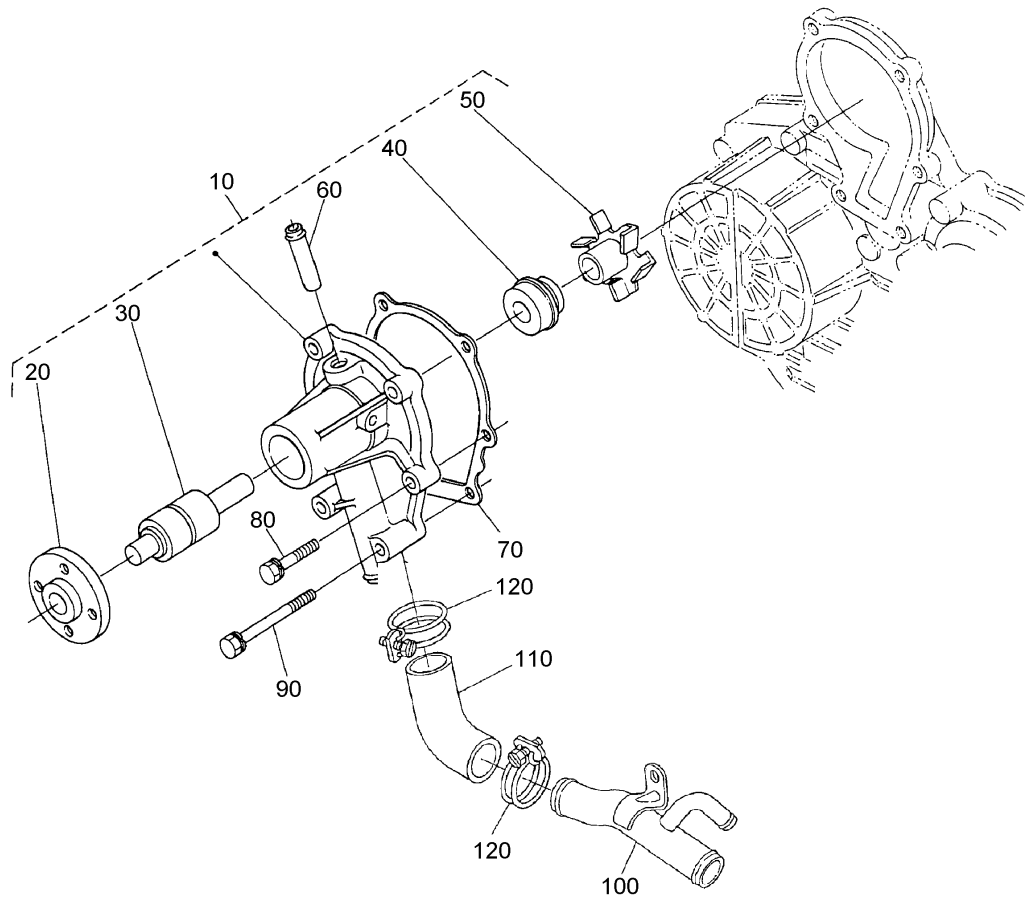
| Ref | Part No. | Qty. | Description |
|-----|----------|------|-------------|
| 250 | 98-7759  | 1    | Pipe-Drain  |
| 260 | 98-9712  | 1    | Band-Cover  |
| 270 | 105-2886 | 1    | Cover ASM   |
| 280 | 98-7697  | 2    | Bolt        |



### Water Flange and Thermostat Assembly

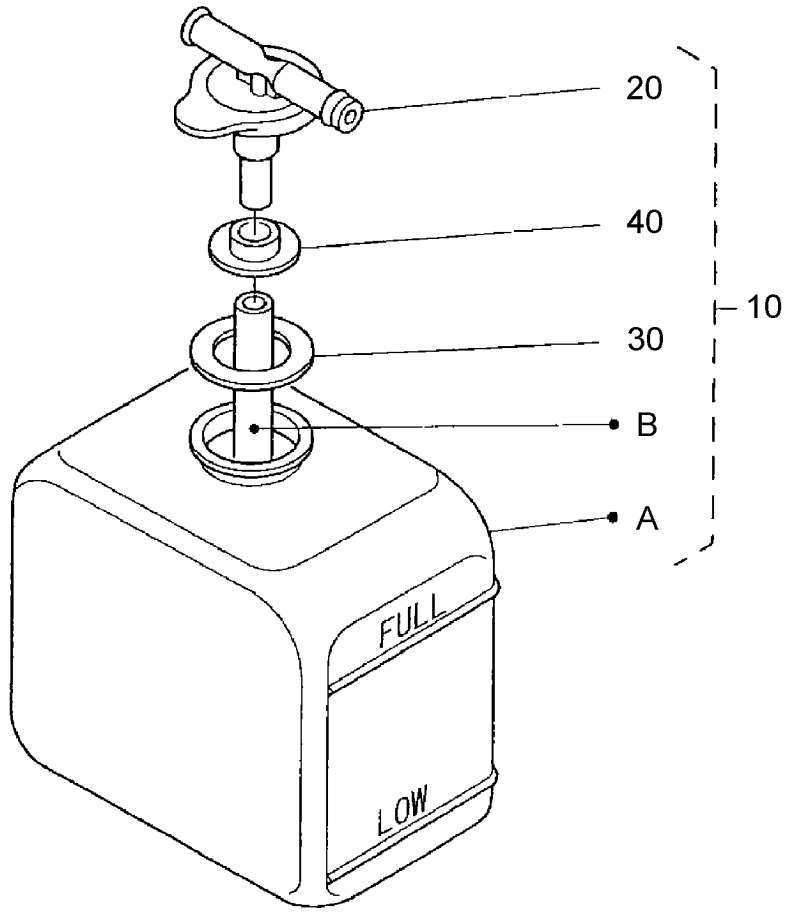
| Ref | Part No. | Qty. | Description          |
|-----|----------|------|----------------------|
| 10  | 98-9713  | 1    | Water Flange ASM     |
| 20  | 98-9580  | 1    | Pipe-Return, Water   |
| 30  | 105-3747 | 1    | Plug                 |
| 40  | 99-3583  | 1    | Packing              |
| 50  | 98-9638  | 1    | Gasket-Flange, Water |
| 60  | 98-7692  | 3    | Bolt                 |
| 70  | 98-9356  | 1    | Bolt                 |
| 80  | 98-9578  | 1    | Pipe-Return, Water   |
| 90  | 98-9579  | 2    | Band-Pipe            |
| 100 | 98-9719  | 1    | Thermoswitch         |
| 110 | 98-7778  | 1    | Thermostat ASM       |
| 120 | 98-9471  | 1    | Cover-Thermostat     |
| 130 | 105-3748 | 1    | Gasket-Thermostat    |
| 140 | 98-7777  | 2    | Bolt                 |





## Water Pump Assembly

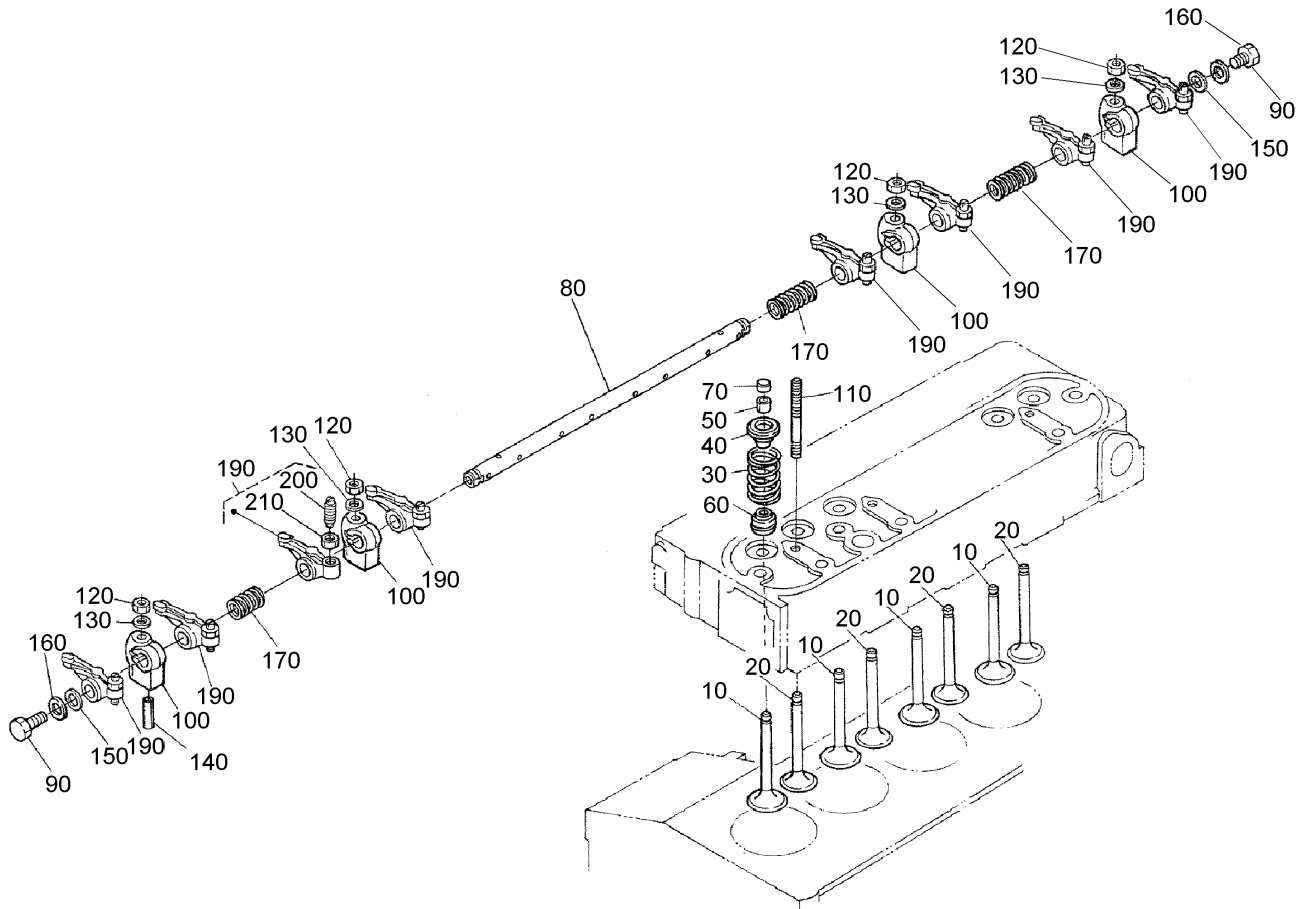
| Ref | Part No. | Qty. | Description          |  |
|-----|----------|------|----------------------|--|
| 10  | 108-4426 | 1    | Water Pump ASM       |  |
| 20  | 99-3516  | 1    | Flange-Pump, Water   |  |
| 30  | 99-3517  | 1    | Bearing-Pump, Water  |  |
| 40  | 105-3750 | 1    | Mechanical Seal ASM  |  |
| 50  | 99-3519  | 1    | Impeller-Pump, Water |  |
| 60  | 98-9577  | 1    | Pipe-Return, Water   |  |
| 70  | 99-3454  | 1    | Gasket-Pump, Water   |  |
| 80  | 98-9353  | 4    | Bolt                 |  |
| 90  | 98-9357  | 2    | Bolt                 |  |
| 100 | 105-3752 | 1    | Pipe-Water           |  |
| 110 | 107-9091 | 1    | Pipe-Water           |  |
| 120 | 98-9717  | 2    | Clamp                |  |



### Reserve Tank Assembly

| Ref | Part No. | Qty. | Description     |
|-----|----------|------|-----------------|
| 10  | 104-9318 | 1    | Bottle-Overflow |
| 20  | 105-3754 | 1    | Cap             |
| 30  | 105-3755 | 1    | Gasket          |
| 40  | 105-3756 | 1    | Plate           |

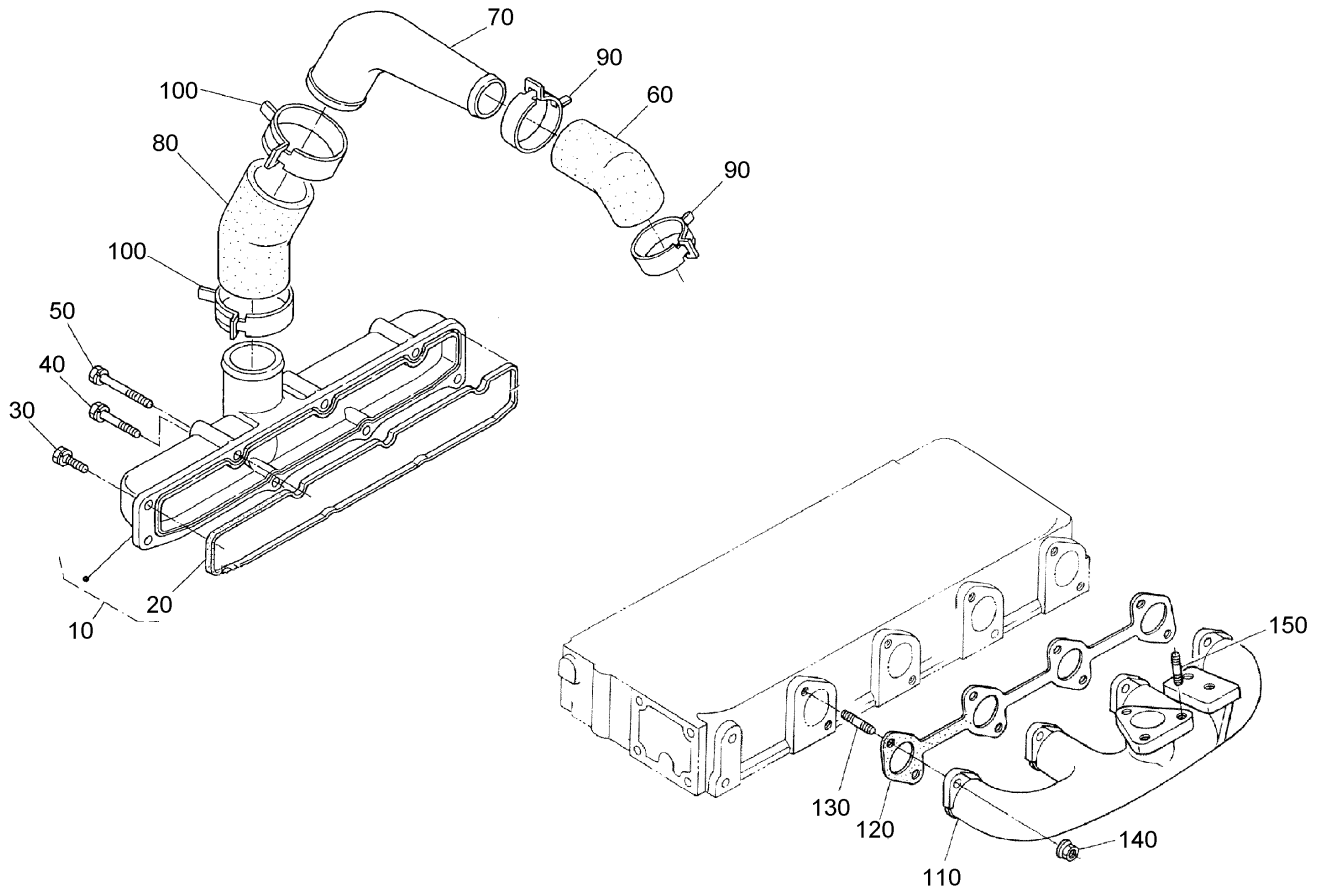
|  |  |  |  |
|--|--|--|--|
|  |  |  |  |
|  |  |  |  |
|  |  |  |  |
|  |  |  |  |
|  |  |  |  |
|  |  |  |  |
|  |  |  |  |
|  |  |  |  |
|  |  |  |  |
|  |  |  |  |



## Valve and Rocker Arm Assembly

| Ref | Part No. | Qty. | Description              |
|-----|----------|------|--------------------------|
| 10  | 98-9494  | 4    | Valve-Inlet              |
| 20  | 98-9625  | 4    | Valve-Exhaust            |
| 30  | 98-9626  | 8    | Spring-Valve             |
| 40  | 107-9092 | 8    | Retainer-Spring          |
| 50  | 98-9390  | 8    | Collet-Set, Valve Spring |
| 60  | 99-8385  | 8    | Seat-Stem, Valve         |
| 70  | 98-9497  | 8    | Cap-Valve                |
| 80  | 105-3757 | 1    | Shaft-Arm, Rocker        |
| 90  | 100-9265 | 2    | Bolt                     |
| 100 | 98-9505  | 4    | Bracket-Arm, Rocker      |
| 110 | 98-9506  | 4    | Stud                     |
| 120 | 98-9393  | 4    | Nut                      |
| 130 | 98-9385  | 4    | Washer-Flat              |
| 140 | 105-3758 | 2    | Pin-Spring               |
| 150 | 98-9507  | 2    | Washer-Shaft, R-Arm      |
| 160 | 3256-1   | 2    | Washer-Flat              |
| 170 | 98-9504  | 3    | Spring-Arm, Rocker       |
| 190 | 98-9501  | 8    | Rocker Arm ASM           |
| 200 | 98-9502  | 8    | Screw-Adjusting          |
| 210 | 98-9503  | 8    | Nut                      |

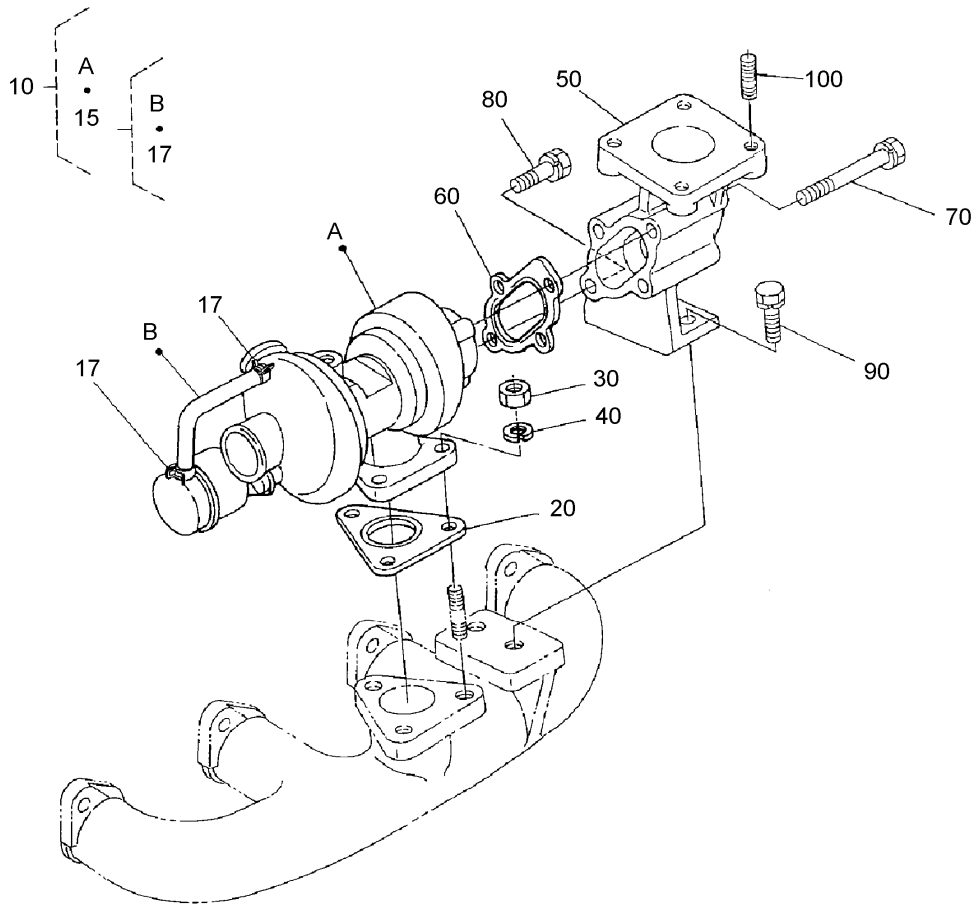
|  |  |  |  |
|--|--|--|--|
|  |  |  |  |
|--|--|--|--|



## Inlet / Exhaust Manifold Assembly

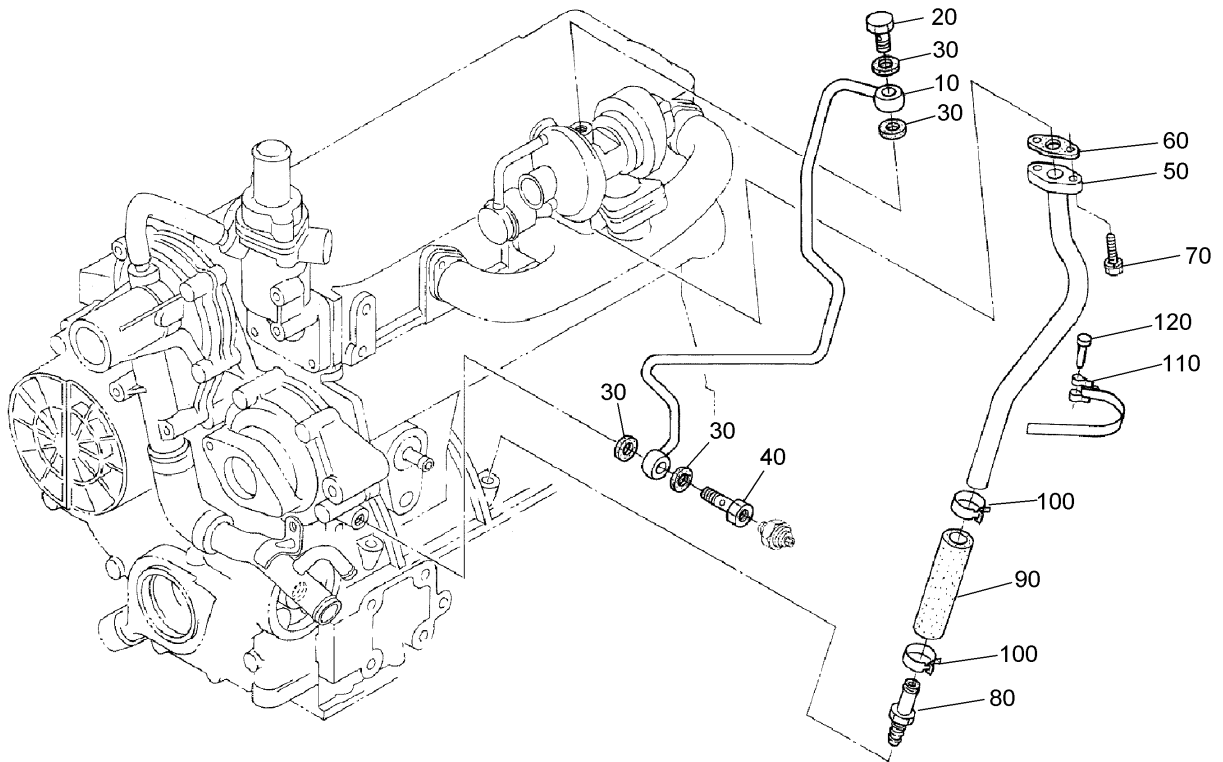
| Ref | Part No. | Qty. | Description        |
|-----|----------|------|--------------------|
| 10  | 105-3759 | 1    | Inlet Manifold ASM |
| 20  | 105-3760 | 1    | Gasket-In-Manifold |
| 30  | 98-7605  | 3    | Bolt               |
| 40  | 98-9353  | 2    | Bolt               |
| 50  | 105-3797 | 3    | Bolt               |
| 60  | 105-3761 | 1    | Pipe-Inlet         |
| 70  | 105-3762 | 1    | Pipe-Inlet         |
| 80  | 105-3763 | 1    | Pipe-Inlet         |
| 90  | 99-8324  | 2    | Band-Pipe          |
| 100 | 99-8322  | 2    | Band-Pipe          |
| 110 | 108-4425 | 1    | Manifold-Exhaust   |
| 120 | 105-3765 | 1    | Gasket-Ex-Manifold |
| 130 | 98-9588  | 8    | Stud               |
| 140 | 98-9665  | 8    | Nut                |
| 150 | 99-8342  | 3    | Stud               |

|  |  |  |  |
|--|--|--|--|
|  |  |  |  |
|  |  |  |  |
|  |  |  |  |
|  |  |  |  |
|  |  |  |  |
|  |  |  |  |
|  |  |  |  |
|  |  |  |  |
|  |  |  |  |
|  |  |  |  |
|  |  |  |  |



## Turbo Charger Assembly

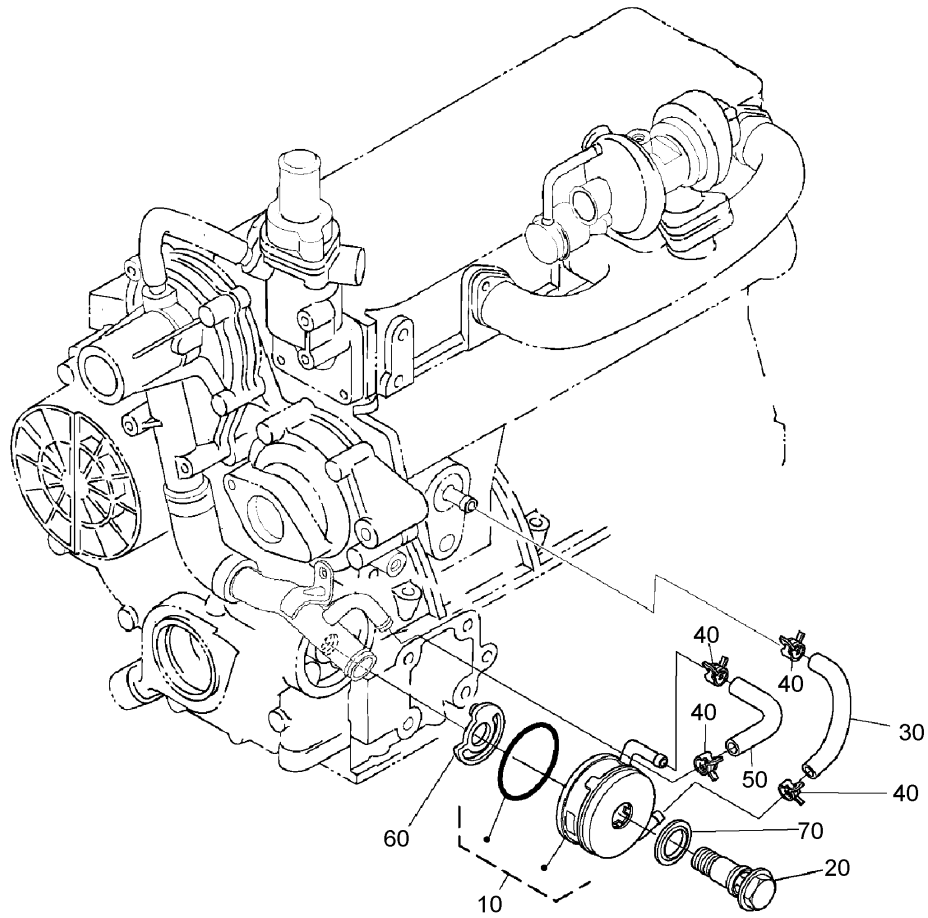
| Ref | Part No. | Qty. | Description           |  |  |  |  |
|-----|----------|------|-----------------------|--|--|--|--|
| 10  | 108-1412 | 1    | Turbo Charger ASM     |  |  |  |  |
| 15  | 108-1413 | 1    | Hose ASM              |  |  |  |  |
| 17  | 108-1414 | 2    | Clamp-Hose            |  |  |  |  |
| 20  | 105-3767 | 1    | Gasket                |  |  |  |  |
| 30  | 100-1559 | 3    | Nut-Manifold, Exhaust |  |  |  |  |
| 40  | 105-2893 | 3    | Washer-Spring         |  |  |  |  |
| 50  | 99-8335  | 1    | Flange-Muffler        |  |  |  |  |
| 60  | 105-3768 | 1    | Gasket                |  |  |  |  |
| 70  | 105-2894 | 3    | Bolt                  |  |  |  |  |
| 80  | 105-2895 | 1    | Bolt                  |  |  |  |  |
| 90  | 98-7610  | 2    | Bolt                  |  |  |  |  |
| 100 | 98-7769  | 4    | Stud                  |  |  |  |  |



## Oil Pipe (Turbo Charger) Assembly

| Ref | Part No. | Qty. | Description        |
|-----|----------|------|--------------------|
| 10  | 108-4424 | 1    | Oil Pipe ASM       |
| 20  | 98-9418  | 1    | Bolt-Joint, Eye    |
| 30  | 99-8346  | 4    | Gasket             |
| 40  | 98-9417  | 1    | Bolt-Joint, Eye    |
| 50  | 108-4423 | 1    | Oil Pipe ASM       |
| 60  | 108-4422 | 1    | Gasket             |
| 70  | 98-7605  | 2    | Bolt               |
| 80  | 105-3771 | 1    | Pipe-Oil, Complete |
| 90  | 98-9721  | 1    | Pipe-Oil           |
| 100 | 98-9714  | 2    | Clamp-Hose         |
| 110 | 98-9601  | 1    | Clamp-Pipe         |
| 120 | 98-9591  | 1    | Pin-Band           |

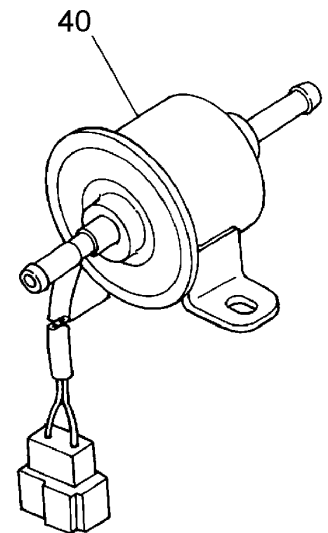
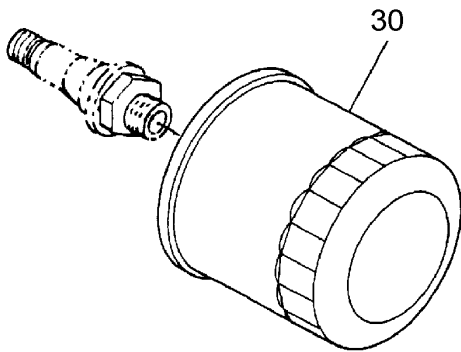
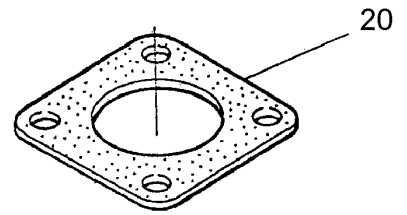
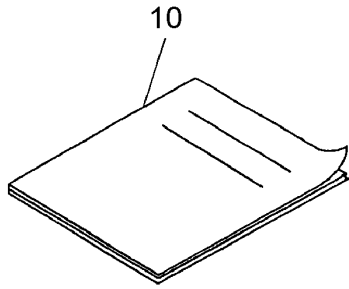
|  |  |  |  |
|--|--|--|--|
|  |  |  |  |
|--|--|--|--|



### Oil Cooler Assembly

| Ref | Part No. | Qty. | Description        |
|-----|----------|------|--------------------|
| 10  | 108-4448 | 1    | Oil Cooler ASM     |
| 20  | 106-7054 | 1    | Holder ASM         |
| 30  | 98-9724  | 1    | Pipe-Cooler, Oil   |
| 40  | 98-9579  | 4    | Band-Pipe          |
| 50  | 98-9578  | 1    | Pipe-Return, Water |
| 60  | 105-3774 | 1    | Collar             |
| 70  | 108-4449 | 1    | Washer             |

|  |  |  |  |
|--|--|--|--|
|  |  |  |  |
|--|--|--|--|



### Miscellaneous Engine Parts

| Ref | Part No. | Qty. | Description         |
|-----|----------|------|---------------------|
| 10  | 99-8954  | 1    | Manual-Kubota       |
| 20  | 99-8343  | 1    | Gasket-Muffler      |
| 30  | 104-5167 | 1    | Filter-Oil          |
| 40  | 107-0122 | 1    | Pump-Fuel, Electric |

| Ref | Part No. | Qty. | Description |
|-----|----------|------|-------------|
|     |          |      |             |
|     |          |      |             |
|     |          |      |             |
|     |          |      |             |
|     |          |      |             |
|     |          |      |             |
|     |          |      |             |
|     |          |      |             |
|     |          |      |             |



# Attachments and Accessories

## For 03806 - Reelmaster 6500-D 2-Wheel Drive

| Product Name                                    | Model/Part  |
|---|-------------|
| TurfDefender Electronic Leak Detector Kit ..... | 03521       |
| Left Hand Groomer Kit .....                     | 03810       |
| Right Hand Groomer Kit .....                    | 03811       |
| 5-Blade Reel Mower .....                        | 03860       |
| 7-Blade Reel Mower .....                        | 03861       |
| 11-Blade Reel Mower .....                       | 03862       |
| Dethatcher Kit .....                            | 03871       |
| Wheel Weight Kit .....                          | 104-1478    |
| Muffler-Spark Arrestor .....                    | 104-5201    |
| Back Biased Switch-Lift .....                   | 105-3367    |
| Grass Basket ASM .....                          | 107-9518    |
| Wihle Scraper ASM .....                         | 108-0605-03 |
| Roll-Over Protection System ASM (2 Post) .....  | 108-4446    |
| Gauge Bar ASM .....                             | 108-6715    |
| Grass Basket Kit (with Groomers only) .....     | 108-6743    |
| Brush And Handle Kit .....                      | 29-9100     |
| Arm Rest Kit .....                              | 30707       |
| Diagnostic Display Box .....                    | 85-4750     |
| Roll-Over Protection System ASM .....           | 94-2643     |
| Gauge Bar Kit .....                             | 98-1852     |

# NOTES

# NOTES

