



## Precision Z350 HLX Riding Mower

Model No. 81250 - 260000001 and up.

### Parts Catalog

---

#### Ordering Replacement Parts

To order replacement parts, please supply the part number, the quantity, and the description of each part desired.

#### Understanding Reference Numbers

Each Identified part in an illustration has a reference number. The reference number for a part also appears in the parts list, along with other information about the part.

This catalog uses two special reference number formats, one to indicate parts in a service assembly and another to indicate the quantity of a given part in an illustration.

#### Service Assembly Reference Numbers

Parts in service assemblies have reference numbers in the form a:b. The a represents the reference number of the entire service assembly and the b represents a sequential number unique to each part within the service assembly.

For example, a wheel assembly might be identified by reference number 6, the tire by 6:1, the valve by 6:2, and the wheel by 6:3. When you order the assembly identified by reference number 6, you receive all parts identified by reference numbers 6:1, 6:2, and 6:3. However, you may also order any part individually. Reference numbers of this type appear in illustrations and in part lists.

#### Reference Numbers Indicating Quantity

In an illustration, if a reference number indicates more than one part, the reference number has the form nX y. The n represents the quantity of the part, the X is the multiplication symbol, and the y represents the reference number.

For example, in an illustration, the reference number 2X 37 means that two of the parts identified by reference number 37 are indicated.

# Contents

| Description                               | Page     | Description   | Page     |
|---|----------|---|----------|
| Front Frame Assembly                      | ..... 3  | Piston and Connecting Rod Assembly Honda GXV530 EXA2LB                | ..... 22 |
| Seat Assembly                             | ..... 4  | Camshaft Assembly Honda GXV530 EXA2LB                                 | ..... 23 |
| Control Assembly                          | ..... 5  | Fan Cover Assembly Honda GXV530 EXA2LB                                | ..... 24 |
| Hydro and Belt Drive Assembly             | ..... 6  | Carburetor Assembly Honda GXV530 EXA2LB                               | ..... 25 |
| LH Hydrostat Assembly Part No. 108-2394   | ..... 7  | Exhaust Pipe Assembly Honda GXV530 EXA2LB                             | ..... 26 |
| RH Hydrostat Assembly Part No. 108-2393   | ..... 9  | Fuel Pump Assembly Honda GXV530 EXA2LB                                | ..... 27 |
| Engine Assembly                           | ..... 11 | Flywheel Assembly Honda GXV530 EXA2LB                                 | ..... 28 |
| Styling Assembly                          | ..... 12 | Ignition Coil Assembly Honda GXV530 EXA2LB                            | ..... 29 |
| 44in Deck Assembly                        | ..... 13 | Starter Motor Assembly Honda GXV530 EXA2LB                            | ..... 30 |
| Deflector Assembly No. 108-8591           | ..... 14 | Control Assembly Honda GXV530 EXA2LB                                  | ..... 31 |
| 44in Deck Assembly No. 108-6114           | ..... 15 | Regulator Rectifier and Sub-Wire Harness Assembly Honda GXV530 EXA2LB | ..... 32 |
| 44in Deck Spindle and Drive Belt Assembly | ..... 16 | Label Assembly Honda GXV530 EXA2LB                                    | ..... 33 |
| Electrical Assembly                       | ..... 17 | Attachments and Accessories List                                      | ..... 34 |
| Cylinder Assembly Honda GXV530 EXA2LB     | ..... 18 |   |          |
| Crankcase Assembly Honda GXV530 EXA2LB    | ..... 19 |   |          |
| Oil Pan Assembly Honda GXV530 EXA2LB      | ..... 20 |   |          |
| Crankshaft Assembly Honda GXV530 EXA2LB   | ..... 21 |   |          |

## Part Description Abbreviations

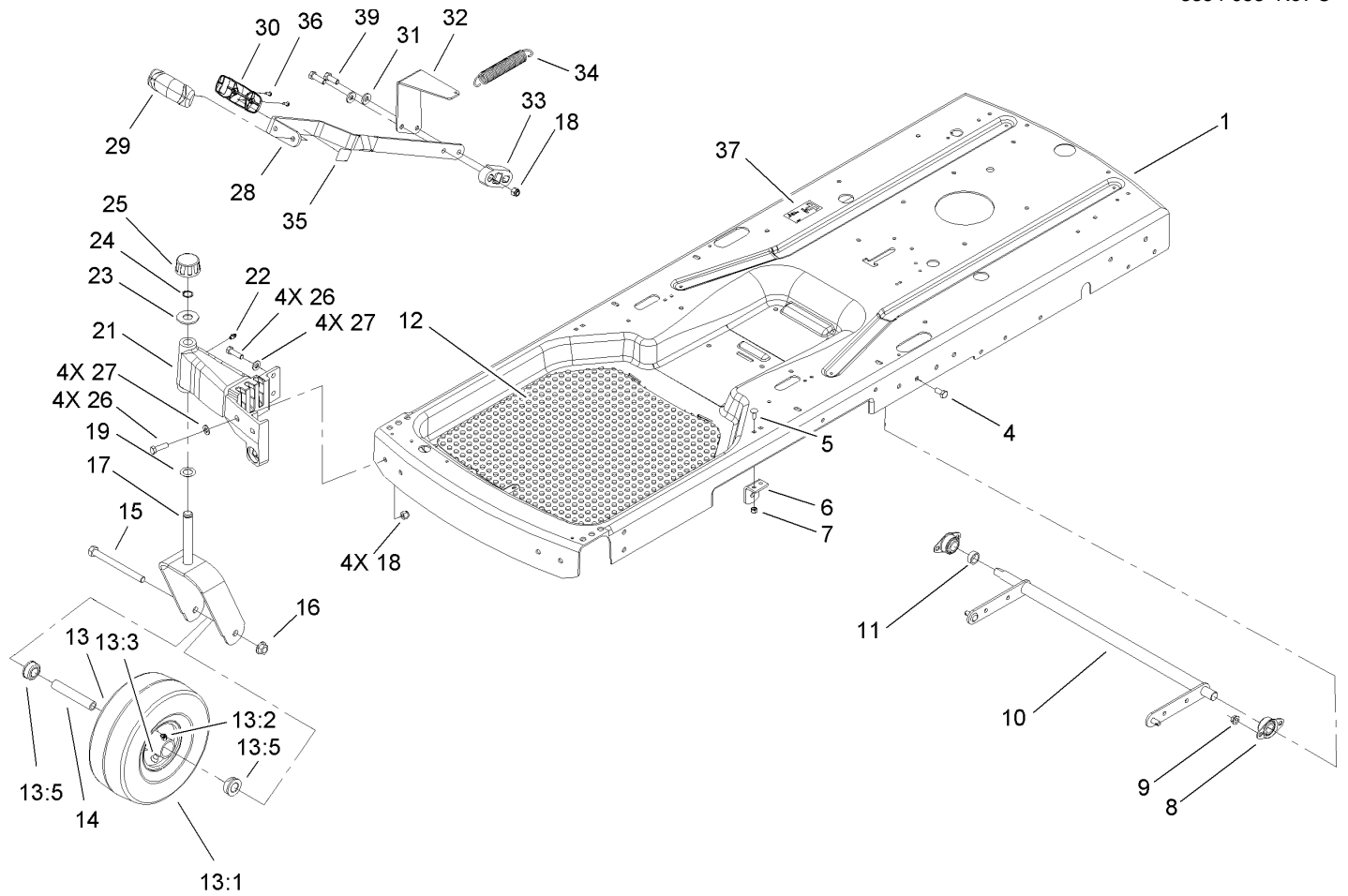
Part descriptions in this catalog may include the following abbreviations.

|  |  |
|--|--|
| AR. .... as required                       | HYD. .... hydraulic                          |
| ASM. .... assembly                         | LH. .... left hand                           |
| BBC. .... blade brake clutch               | NI. .... nylon insert                        |
| CARR. .... carriage                        | NPTF. .... national pipe thread fine         |
| DEG. .... degrees                          | PFH. .... phillips flat head                 |
| EXT. .... external                         | PPH. .... phillips pan head                  |
| FH. .... flat head                         | PPHTF. .... phillips pan head thread forming |
| GA. .... gauge                             | PRH. .... phillips round head                |
| HD. .... heavy-duty                        | PTH. .... phillips truss head                |
| HF. .... hex flange                        | PTO. .... power-take-off                     |
| HH. .... hex head                          | RH. .... right hand                          |
| HHF. .... hex head flange                  | ROPS. .... roll-over protection system       |
| HHFTF. .... hex head flange thread forming | SFH. .... slotted fillister head             |
| HJ. .... hex jam                           | SHH. .... slotted hex head                   |
| HLH. .... hex lag head                     | SHWH. .... slotted hex washer head           |
| HOC. .... height-of-cut                    | SPH. .... slotted pan head                   |
| HSBH. .... hex socket button head          | SQH. .... square head                        |
| HSFH. .... hex socket flat head            | SRH. .... slotted round head                 |
| HSH. .... hex socket head                  | STD. .... standard                           |
| HWH. .... hex washer head                  | TAP. .... self tapping                       |
| HWHTF. .... hex washer head thread forming | TTH. .... torx truss head                    |

## Footnotes

- ❶ Not illustrated
- ❷ Obtain from your local Honda dealer

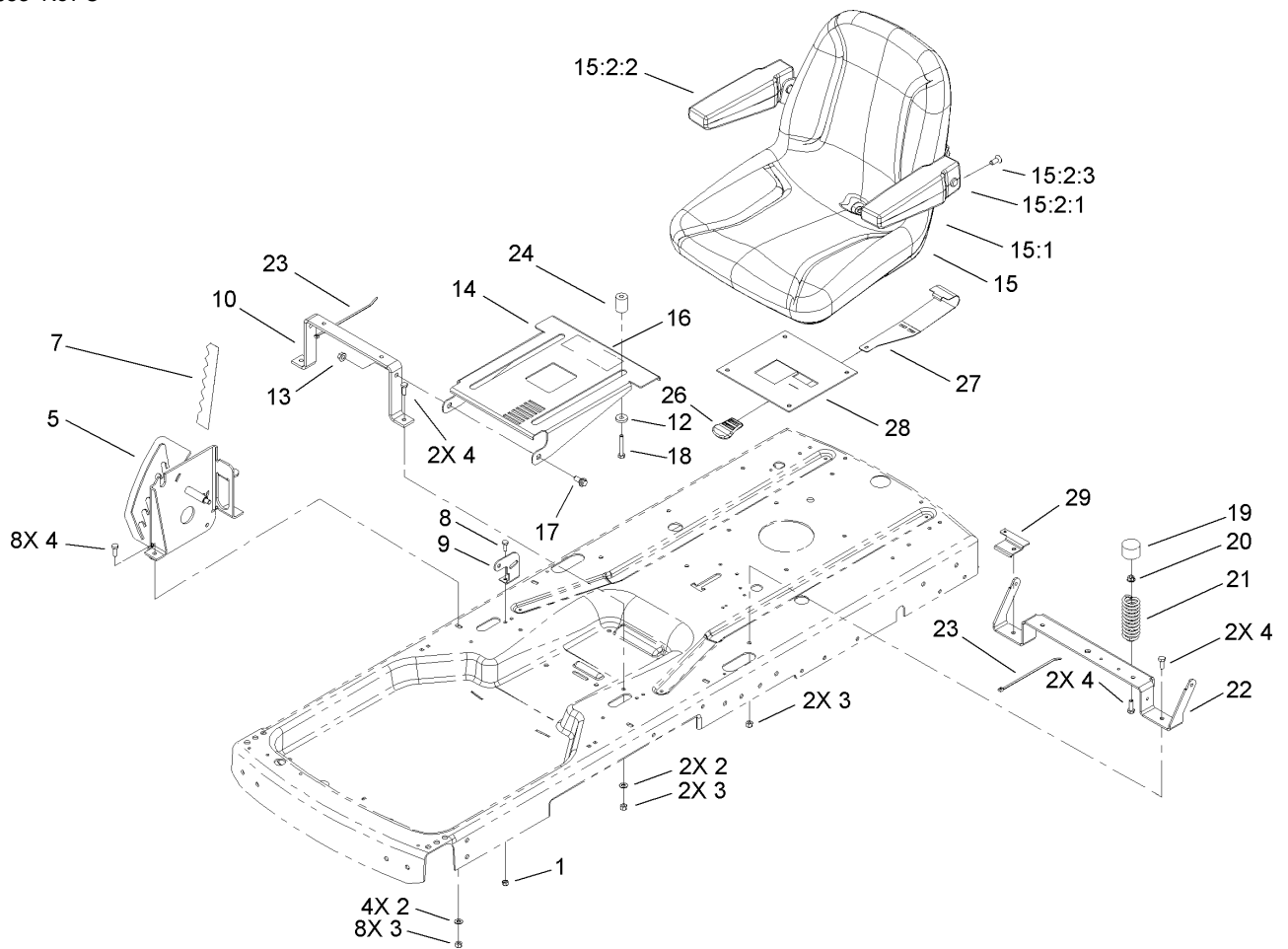
- ❸ Not serviced separately



## Front Frame Assembly

| Ref   | Part No.    | Qty. | Description          |
|-------|-------------|------|----------------------|
| 1     | 108-2326    | 1    | Frame                |
| 4     | 323-4       | 4    | Screw-HH             |
| 5     | 3229-1      | 4    | Screw-CARR           |
| 6     | 105-3439    | 2    | Bracket-Lift         |
| 7     | 3296-42     | 4    | Nut-Lock, NI         |
| 8     | 1-633102    | 2    | Bearing-Flange, Side |
| 9     | 3290-357    | 4    | Nut-HHF, Whiz        |
| 10    | 107-1731-03 | 1    | Lift Arm ASM         |
| 11    | 106-2222    | 1    | Spacer               |
| 12    | 108-6161    | 1    | Footmat-Frame        |
| 13    | 108-8502    | 2    | Caster Wheel ASM     |
| 13:1  | 108-8503    | 1    | Tire-Smooth          |
| 13:2  | 302-5       | 1    | Fitting-Grease       |
| 13:3  | 232-27      | 1    | Stem-Valve           |
| 13:5  | 114-1640    | 2    | Bushing-Flange       |
| 13:99 | 93-4244     | 1    | Tube-Inner (W/Valve) |
| 14    | 104-3667    | 2    | Spanner-Wheel        |
| 15    | 325-22      | 2    | Screw-HH             |
| 16    | 32128-23    | 2    | Nut-HF               |
| 17    | 107-9119-03 | 2    | Castor Fork ASM      |
| 18    | 3296-39     | 9    | Nut-Lock, NI         |
| 19    | 3-6498      | 2    | Washer-Thrust        |
| 20    | 105-6986-02 | 1    | Castor-LH            |
| 21    | 105-6985-02 | 1    | Castor-RH            |

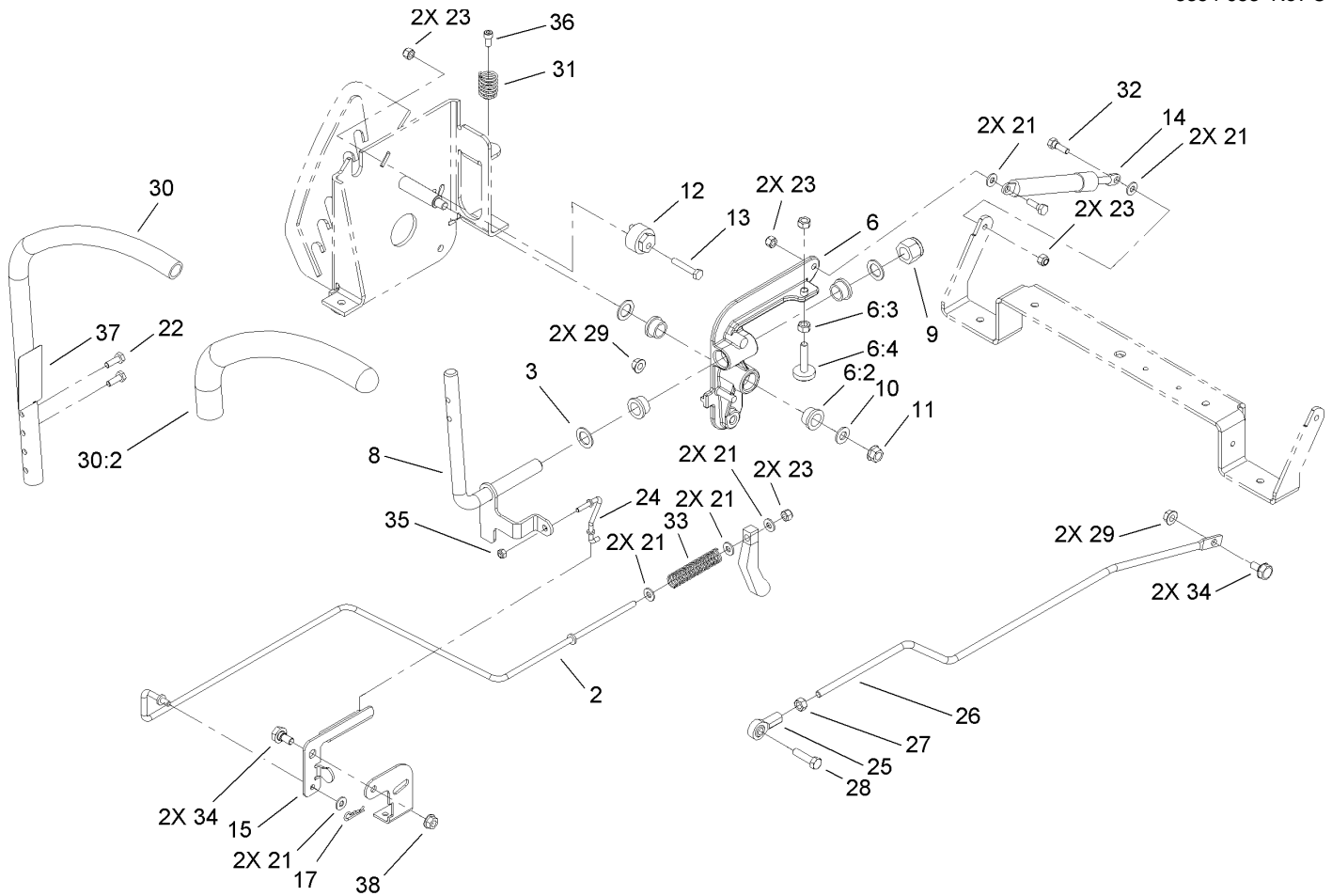
| Ref | Part No.    | Qty. | Description         |
|-----|-------------|------|---------------------|
| 22  | 302-5       | 2    | Fitting-Grease      |
| 23  | 28-2480     | 2    | Washer              |
| 24  | 32151-103   | 2    | Ring-Snap           |
| 25  | 61-9780     | 2    | Cap-Hub             |
| 26  | 323-18      | 8    | Screw-HH            |
| 27  | 3256-24     | 8    | Washer-Flat         |
| 28  | 108-2317-03 | 1    | Lever-Lift          |
| 29  | 108-2318    | 1    | Handle-Top          |
| 30  | 108-2319    | 1    | Handle-Bottom       |
| 31  | 98-5975     | 2    | Washer-Belleville   |
| 32  | 107-2516-03 | 1    | Mount-Spring, Front |
| 33  | 106-2211    | 1    | Block-Lift          |
| 34  | 106-2177    | 1    | Spring-Extension    |
| 35  | 106-8743    | 1    | Decal               |
| 36  | 94-6961     | 2    | Screw               |
| 37  | 108-6109    | 1    | Decal-Transport, Ce |
| 39  | 323-7       | 2    | Screw-HH            |



## Seat Assembly

| Ref    | Part No.    | Qty. | Description       |
|--------|-------------|------|-------------------|
| 1      | 3296-42     | 4    | Nut-Lock, NI      |
| 2      | 3256-23     | 6    | Washer-Flat       |
| 3      | 3296-29     | 12   | Nut-Lock, NI      |
| 4      | 322-4       | 14   | Screw-HH          |
| 5      | 106-2158-03 | 1    | RH Plate ASM      |
| 6      | 106-2159-03 | 1    | LH Plate ASM      |
| 7      | 108-2392    | 1    | Decal-HOC         |
| 8      | 321-4       | 4    | Screw-HH          |
| 9      | 106-2180    | 2    | Bracket-Bellcrank |
| 10     | 105-6954-03 | 1    | Brace-Seat, Front |
| 12     | 108-2353    | 4    | Spacer            |
| 13     | 32128-21    | 2    | Nut-HF            |
| 14     | 108-2303-03 | 1    | Bracket-Seat      |
| 15     | 106-6446    | 1    | Seat ASM          |
| 15:1   | 108-2331    | 1    | Seat              |
| 15:2   |             | 1    | Armrest Kit       |
| 15:2:1 | 110-6569    | 1    | LH Armrest Kit    |
| 15:2:2 | 110-6570    | 1    | RH Armrest Kit    |
| 15:2:3 | 108-6179    | 6    | Screw-HSBH        |
| 16     | 106-8716    | 1    | Decal-Services    |
| 17     | 94-7582     | 2    | Bolt-Shoulder     |
| 18     | 322-11      | 4    | Screw-HH          |
| 19     | 701178      | 2    | Cap-Protector     |
| 20     | 32128-25    | 2    | Nut-HF            |

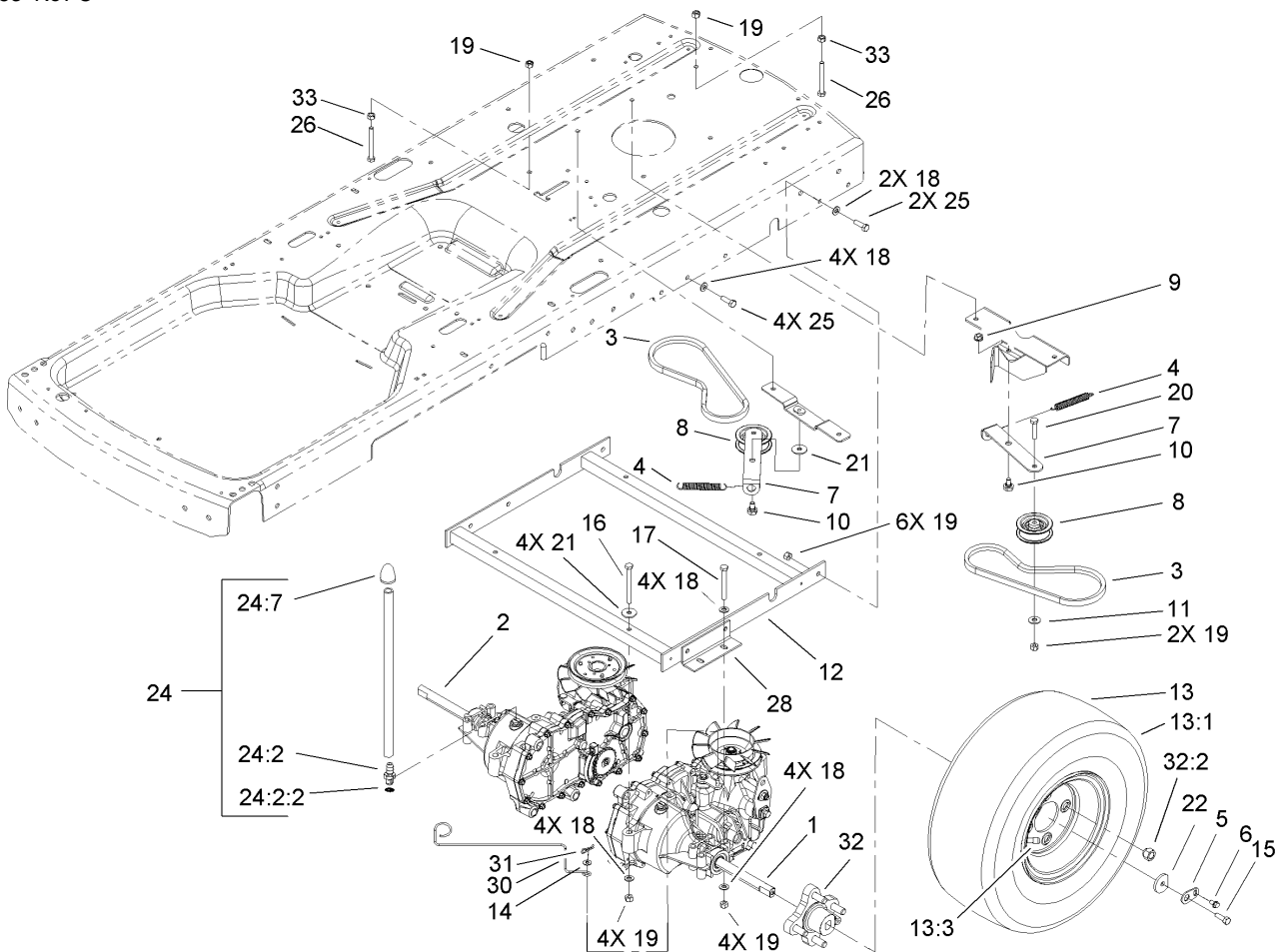
| Ref | Part No.    | Qty. | Description        |
|-----|-------------|------|--------------------|
| 21  | 92-7054     | 2    | Spring-Compression |
| 22  | 108-2358-03 | 1    | Brace-Seat, Rear   |
| 23  | 614249      | 2    | Strap-Tie          |
| 24  | 108-2301    | 4    | Spacer             |
| 26  | 107-1904    | 1    | Knob-Lever, HOC    |
| 27  | 108-2302    | 1    | Latch-Seat         |
| 28  | 108-7175-03 | 1    | Mount-Latch, Seat  |
| 29  | 108-8589-03 | 1    | Bracket            |



## Control Assembly

| Ref | Part No. | Qty. | Description            |
|-----|----------|------|------------------------|
| 1   | 105-7045 | 1    | Rod-Brake, LH          |
| 2   | 105-7044 | 1    | Rod-Brake, RH          |
| 3   | 105-3481 | 6    | Washer-Thrust          |
| 5   | 110-1869 | 1    | LH Activator Arm ASM   |
| 5:2 | 105-3455 | 4    | Bushing                |
| 5:3 | 3217-6   | 2    | Nut-Hex                |
| 5:4 | 105-3486 | 1    | Stop-Adjustment        |
| 6   | 110-1870 | 1    | RH Activator Arm ASM   |
| 6:2 | 105-3455 | 4    | Bushing                |
| 6:3 | 3217-6   | 2    | Nut-Hex                |
| 6:4 | 105-3486 | 1    | Stop-Adjustment        |
| 7   | 105-3488 | 1    | LH Pivot Shaft ASM     |
| 8   | 105-3487 | 1    | RH Pivot Shaft ASM     |
| 9   | 3296-53  | 2    | Nut-Lock, NI           |
| 10  | 3256-24  | 2    | Washer-Flat            |
| 11  | 3296-59  | 2    | Nut-Lock, NI           |
| 12  | 107-4874 | 2    | Eccentric              |
| 13  | 321-9    | 2    | Screw-HH               |
| 14  | 103-2913 | 2    | Damper-Control, Motion |
| 15  | 106-2181 | 2    | Bellcrank              |
| 17  | 1-806003 | 2    | Pin-Hair               |
| 21  | 3256-22  | 12   | Washer-Flat            |
| 22  | 321-4    | 4    | Screw-HH               |
| 23  | 3296-42  | 8    | Nut-Lock, NI           |

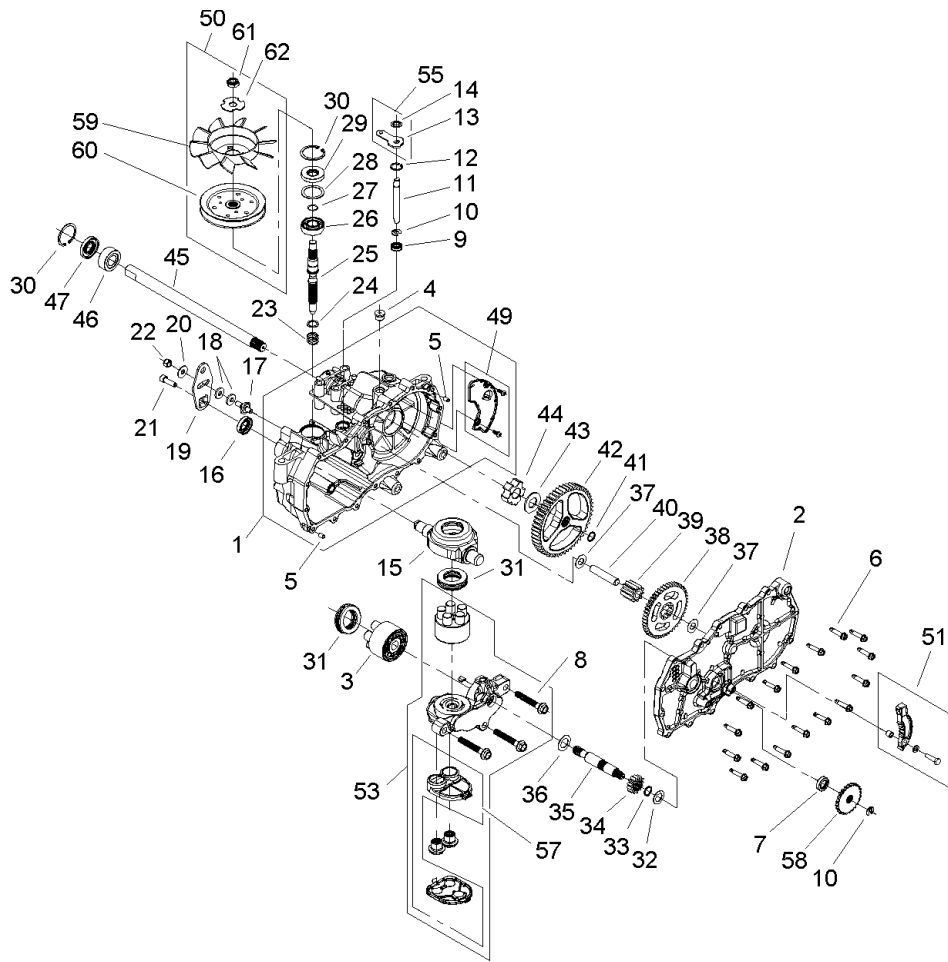
| Ref  | Part No. | Qty. | Description        |
|------|----------|------|--------------------|
| 24   | 106-2179 | 2    | Link-Brake         |
| 25   | 1-543017 | 2    | Balljoint-RH       |
| 26   | 105-7048 | 2    | Rod-Hydro          |
| 27   | 3219-2   | 2    | Nut-Hex            |
| 28   | 322-6    | 2    | Screw-HH           |
| 29   | 32128-20 | 4    | Nut-HF             |
| 30   | 108-6117 | 2    | Handle ASM         |
| 30:2 | 108-6187 | 1    | Grip               |
| 31   | 105-3469 | 2    | Spring-Compression |
| 32   | 106-2214 | 4    | Bolt-Shoulder      |
| 33   | 105-3465 | 2    | Spring-Compression |
| 34   | 37-8771  | 4    | Bolt-Shoulder      |
| 35   | 3296-2   | 2    | Nut-Lock           |
| 36   | 3274-52  | 2    | Screw-HSH          |
| 37   | 106-8742 | 2    | Decal              |
| 38   | 32128-25 | 2    | Nut-HF             |



## Hydro and Belt Drive Assembly

| Ref     | Part No.    | Qty. | Description         |
|---------|-------------|------|---------------------|
| 1       | 108-2394    | 1    | Transaxle-Hydro, LH |
| 2       | 108-2393    | 1    | Transaxle-Hydro, RH |
| 3       | 106-2174    | 2    | V-Belt              |
| 4       | 95-3805     | 2    | Spring              |
| 5       | 105-3438    | 2    | Tab-Locking         |
| 6       | 3234-13     | 2    | Screw-HHF           |
| 7       | 105-7047    | 2    | Arm-Idler           |
| 8       | 106-2176    | 2    | Pulley-Idler        |
| 9       | 32128-25    | 1    | Nut-HF              |
| 10      | 37-8770     | 2    | Bolt-Shoulder       |
| 11      | 3256-3      | 2    | Washer-Flat         |
| 12      | 107-4878-03 | 1    | Hydro Mount ASM     |
| 13      | 108-6129    | 2    | Wheel And Tire ASM  |
| 13:1    | 105-3468    | 1    | Tire                |
| 13:3    | 232-27      | 1    | Stem-Valve          |
| ● 13:99 | 232-37      | 1    | Tube                |
| 14      | 3256-1      | 2    | Washer-Flat         |
| 15      | 3210-5      | 2    | Screw-HH            |
| 16      | 322-20      | 4    | Screw-HH            |
| 17      | 322-13      | 4    | Screw-HH            |
| 18      | 3256-23     | 18   | Washer-Flat         |
| 19      | 3296-29     | 18   | Nut-Lock, NI        |
| 20      | 322-7       | 2    | Screw-HH            |
| 21      | 5-4460      | 5    | Washer-Pivot        |

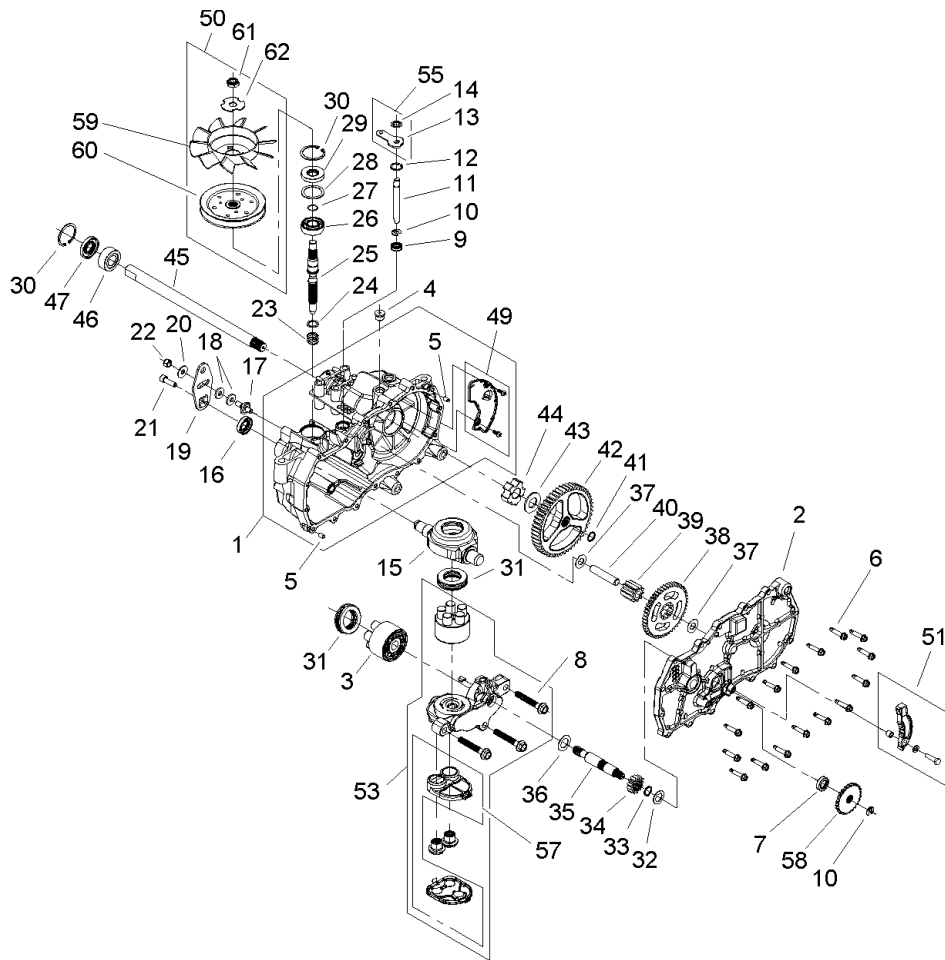
| Ref    | Part No.    | Qty. | Description   |
|--------|-------------|------|---------------|
| 22     | 106-7001    | 2    | Washer-Wheel  |
| 24     | 106-7002    | 2    | Vent Hose ASM |
| 24:2   | 93-3818     | 1    | Fitting ASM   |
| 24:2:2 | 93-3816     | 1    | O-Ring        |
| 24:7   | 107-1701    | 1    | Cap Vent ASM  |
| 25     | 322-5       | 6    | Screw-HH      |
| 26     | 322-13      | 2    | Screw-HH      |
| 28     | 105-7039-03 | 2    | Support-Hydro |
| 30     | 107-4875    | 2    | Rod-Bypass    |
| 31     | 1-806003    | 2    | Pin-Hair      |
| 32     | 108-9533    | 1    | Hub ASM       |
| 32:2   | 242-50      | 4    | Nut-Lug       |
| 33     | 3217-6      | 2    | Nut-Hex       |



## LH Hydrostat Assembly Part No. 108-2394

| Ref | Part No. | Qty. | Description           |
|-----|----------|------|-----------------------|
| 1   | 106-8695 | 1    | RH Main Housing ASM   |
| 2   | 106-8696 | 1    | RH Side ASM           |
| 3   | 103-2666 | 1    | Cylinder Block Kit    |
| 4   | 104-2189 | 1    | Plug-Thread, Straight |
| 5   | 104-2170 | 2    | Pin                   |
| 6   | 104-5305 | 16   | Screw-HHF             |
| 7   | 104-5347 | 1    | Seal-Oil              |
| 8   | 94-6926  | 3    | Bolt                  |
| 9   | 106-8676 | 1    | Seal-Lip              |
| 10  | 106-8677 | 2    | Ring-Retaining, EXT   |
| 11  | 106-8678 | 1    | Rod-Bypass            |
| 12  | 106-8679 | 1    | Ring-Retaining, Int   |
| 13  | 107-2490 | 1    | Arm-Bypass            |
| 14  | 106-8681 | 1    | Ring-Retaining, EXT   |
| 15  | 104-5304 | 1    | Swashplate-Trunnion   |
| 16  | 104-5313 | 1    | Seal-Lip              |
| 17  | 104-2116 | 1    | Stud                  |
| 18  | 105-1873 | 2    | Puck-Friction         |
| 19  | 106-8747 | 1    | Arm-Control           |
| 20  | 5-4460   | 1    | Washer-Pivot          |
| 21  | 107-2488 | 1    | Screw                 |
| 22  | 105-1872 | 1    | Nut                   |
| 23  | 94-1936  | 1    | Spring-Block          |
| 24  | 94-1937  | 1    | Washer-Block, Thrust  |

| Ref | Part No. | Qty. | Description              |
|-----|----------|------|--------------------------|
| 25  | 104-5306 | 1    | Shaft-Input              |
| 26  | 104-5311 | 1    | Bearing-Ball             |
| 27  | 104-5307 | 1    | Ring-Retaining           |
| 28  | 104-5308 | 1    | Spacer                   |
| 29  | 104-5310 | 1    | Seal-Lip                 |
| 30  | 104-5309 | 2    | Ring-Retaining           |
| 31  | 94-6922  | 2    | Bearing-Thrust           |
| 32  | 104-5339 | 1    | Washer-Flat              |
| 33  | 104-5340 | 1    | Ring-Retaining           |
| 34  | 104-5316 | 1    | Gear-Pinnion, 13T        |
| 35  | 106-8683 | 1    | Shaft-Motor              |
| 36  | 104-5360 | 1    | Washer-Shaft, Motor      |
| 37  | 94-1933  | 2    | Washer                   |
| 38  | 104-5317 | 1    | Gear                     |
| 39  | 104-5318 | 1    | Gear-Jackshaft, 10T      |
| 40  | 104-5329 | 1    | Pin-Jackshaft            |
| 41  | 104-5328 | 1    | Ring-Retaining, Spiral   |
| 42  | 106-8684 | 1    | Gear-Bull, 52T           |
| 43  | 94-1943  | 1    | Washer                   |
| 44  | 104-5320 | 1    | Bearing-Sleeve           |
| 45  | 106-8685 | 1    | Axle                     |
| 46  | 104-5321 | 1    | Bearing-Sleeve, Outboard |
| 47  | 104-5322 | 1    | Seal-Lip                 |
| 48  | 106-8686 | 1    | Seal Kit                 |

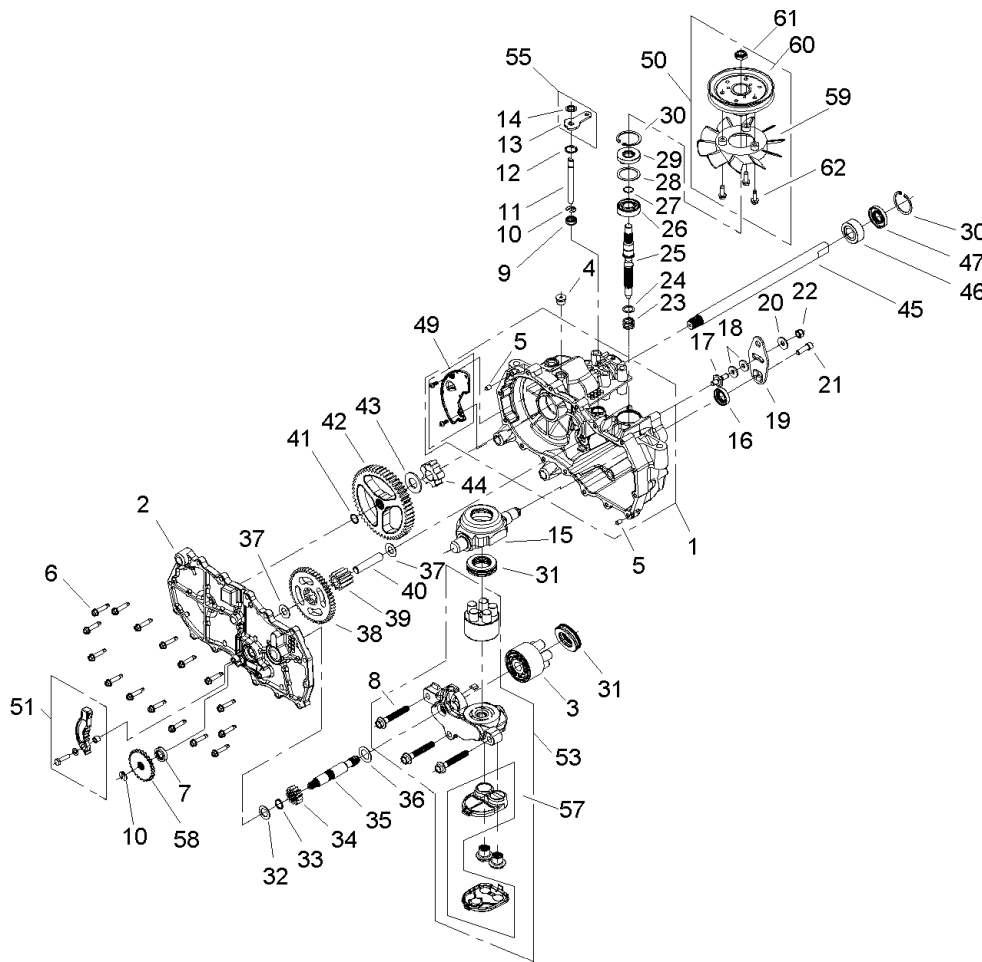


### LH Hydrostat Assembly Part No. 108-2394 (continued)

| Ref | Part No. | Qty. | Description                    |
|-----|----------|------|--------------------------------|
| 49  | 106-8697 | 1    | RH Expansion Plate Kit         |
| 50  | 106-8698 | 1    | Fan Pulley Kit                 |
| 51  | 106-8688 | 1    | Brake Arm Kit                  |
| 53  | 108-6190 | 1    | RH 7-Piston Center Section Kit |
| 54  | 104-2147 | 1    | Sealant                        |
| 55  | 107-2489 | 1    | Bypass Arm Kit                 |
| 57  | 106-8693 | 1    | Filter Kit                     |
| 58  | 106-8694 | 1    | Disc-Brake, Cog                |
| 59  | 110-8566 | 1    | Fan-6 Inch, 10 Blade           |
| 60  | 104-1754 | 1    | Pulley                         |
| 61  | 105-1875 | 1    | Nut-Lock                       |
| 62  | 107-9122 | 3    | Washer-Slotted                 |

|  |  |  |  |
|--|--|--|--|
|  |  |  |  |
|--|--|--|--|

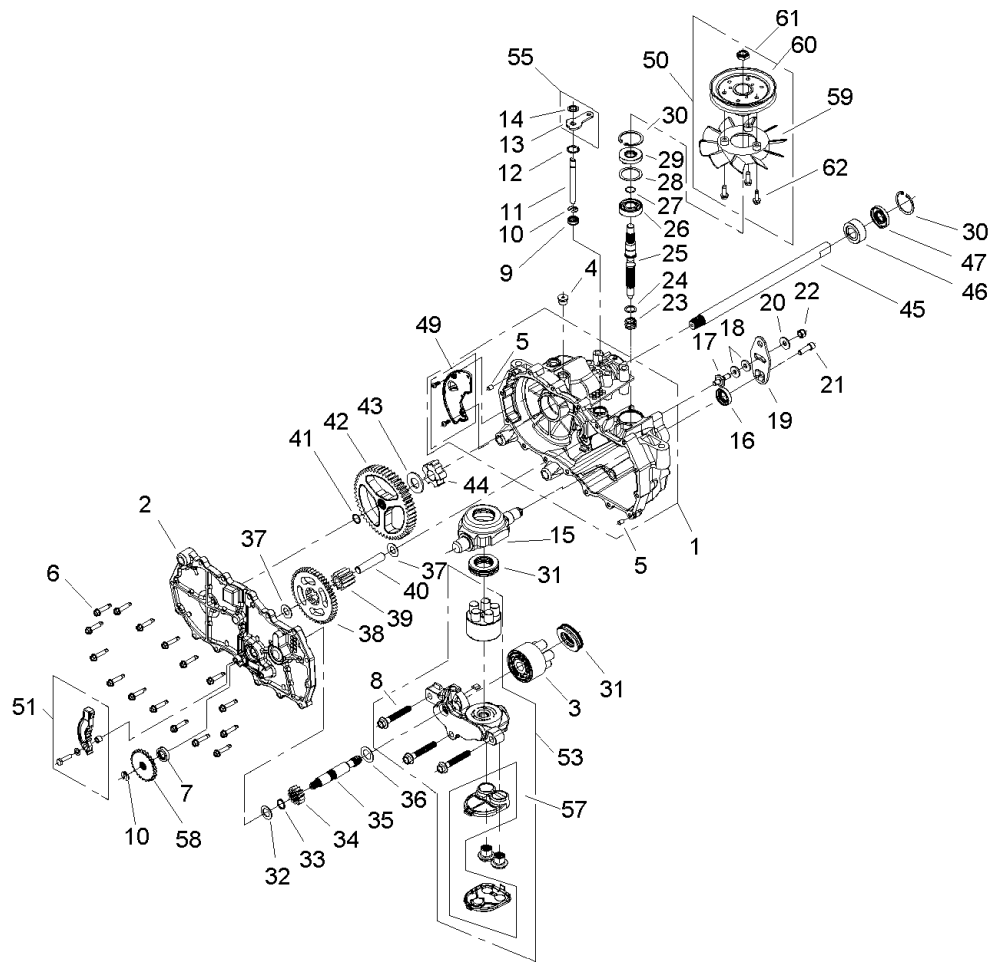




## RH Hydrostat Assembly Part No. 108-2393

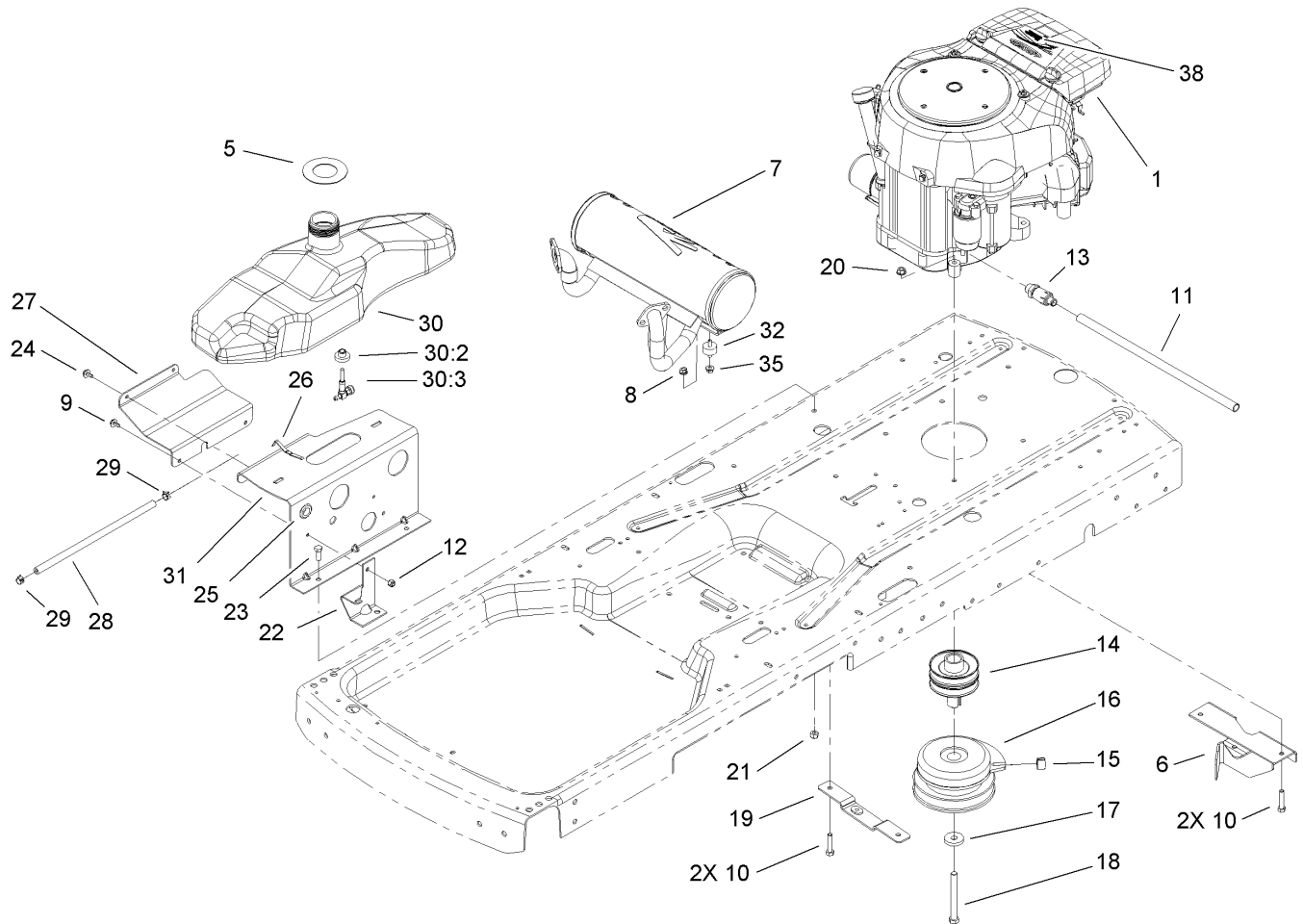
| Ref | Part No. | Qty. | Description           |
|-----|----------|------|-----------------------|
| 1   | 106-8674 | 1    | LH Main Housing ASM   |
| 2   | 106-8675 | 1    | LH Side ASM           |
| 3   | 103-2666 | 1    | Cylinder Block Kit    |
| 4   | 104-2189 | 1    | Plug-Thread, Straight |
| 5   | 104-2170 | 2    | Pin                   |
| 6   | 104-5305 | 16   | Screw-HHF             |
| 7   | 104-5347 | 1    | Seal-Oil              |
| 8   | 94-6926  | 3    | Bolt                  |
| 9   | 106-8676 | 1    | Seal-Lip              |
| 10  | 106-8677 | 2    | Ring-Retaining, EXT   |
| 11  | 106-8678 | 1    | Rod-Bypass            |
| 12  | 106-8679 | 1    | Ring-Retaining, Int   |
| 13  | 107-2490 | 1    | Arm-Bypass            |
| 14  | 106-8681 | 1    | Ring-Retaining, EXT   |
| 15  | 104-5304 | 1    | Swashplate-Trunnion   |
| 16  | 104-5313 | 1    | Seal-Lip              |
| 17  | 104-2116 | 1    | Stud                  |
| 18  | 105-1873 | 2    | Puck-Friction         |
| 19  | 106-8747 | 1    | Arm-Control           |
| 20  | 5-4460   | 1    | Washer-Pivot          |
| 21  | 107-2488 | 1    | Screw                 |
| 22  | 105-1872 | 1    | Nut                   |
| 23  | 94-1936  | 1    | Spring-Block          |
| 24  | 94-1937  | 1    | Washer-Block, Thrust  |

| Ref | Part No. | Qty. | Description              |
|-----|----------|------|--------------------------|
| 25  | 104-5306 | 1    | Shaft-Input              |
| 26  | 104-5311 | 1    | Bearing-Ball             |
| 27  | 104-5307 | 1    | Ring-Retaining           |
| 28  | 104-5308 | 1    | Spacer                   |
| 29  | 104-5310 | 1    | Seal-Lip                 |
| 30  | 104-5309 | 2    | Ring-Retaining           |
| 31  | 94-6922  | 2    | Bearing-Thrust           |
| 32  | 104-5339 | 1    | Washer-Flat              |
| 33  | 104-5340 | 1    | Ring-Retaining           |
| 34  | 104-5316 | 1    | Gear-Pinion, 13T         |
| 35  | 106-8683 | 1    | Shaft-Motor              |
| 36  | 104-5360 | 1    | Washer-Shaft, Motor      |
| 37  | 94-1933  | 2    | Washer                   |
| 38  | 104-5317 | 1    | Gear                     |
| 39  | 104-5318 | 1    | Gear-Jackshaft, 10T      |
| 40  | 104-5329 | 1    | Pin-Jackshaft            |
| 41  | 104-5328 | 1    | Ring-Retaining, Spiral   |
| 42  | 106-8684 | 1    | Gear-Bull, 52T           |
| 43  | 94-1943  | 1    | Washer                   |
| 44  | 104-5320 | 1    | Bearing-Sleeve           |
| 45  | 106-8685 | 1    | Axle                     |
| 46  | 104-5321 | 1    | Bearing-Sleeve, Outboard |
| 47  | 104-5322 | 1    | Seal-Lip                 |
| 48  | 106-8686 | 1    | Seal Kit                 |



### RH Hydrostat Assembly Part No. 108-2393 (continued)

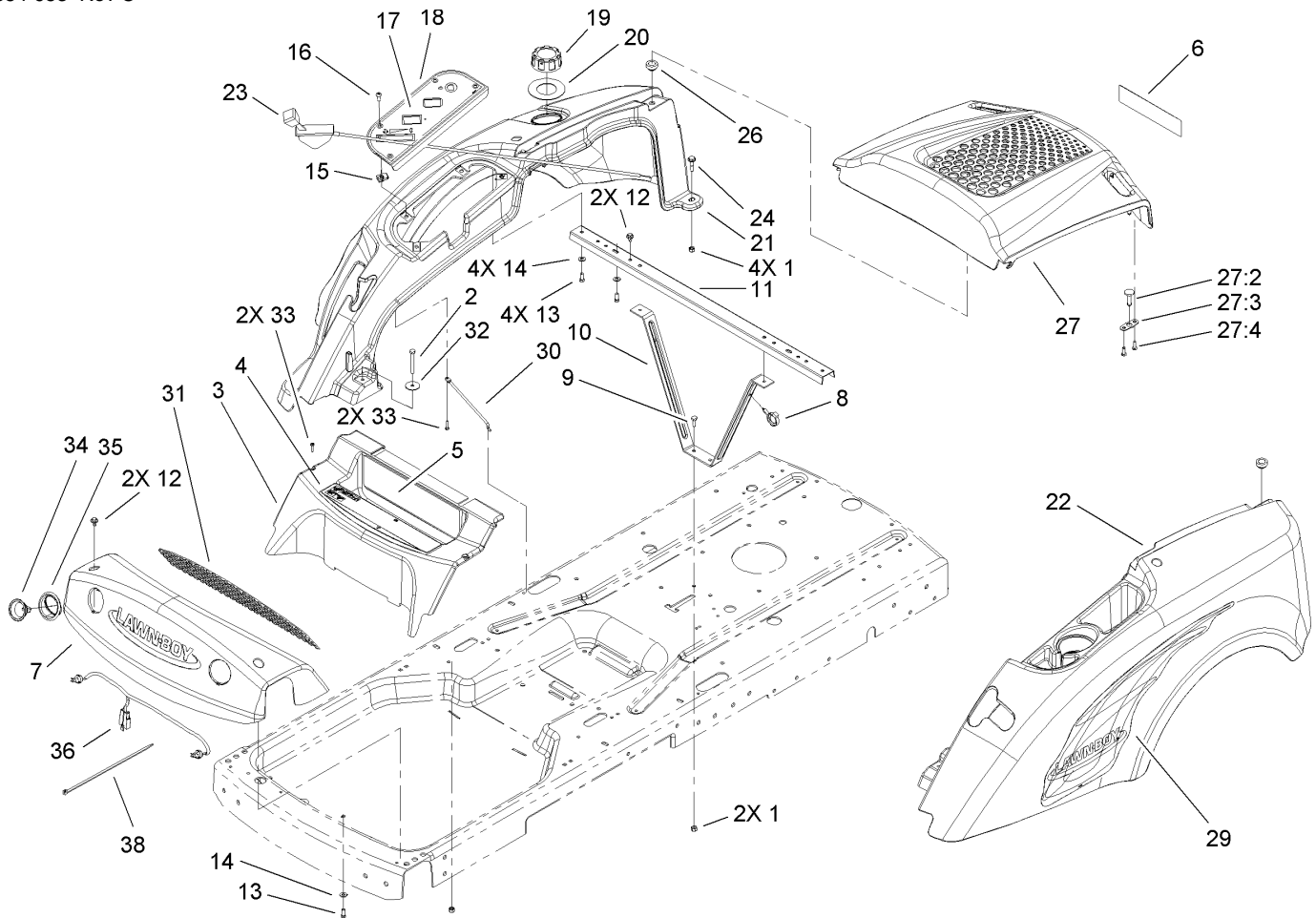
| Ref | Part No. | Qty. | Description                    |
|-----|----------|------|--------------------------------|
| 49  | 106-8687 | 1    | LH Expansion Plate Kit         |
| 50  | 105-1928 | 1    | Fan Pulley Kit                 |
| 51  | 106-8688 | 1    | Brake Arm Kit                  |
| 53  | 108-6189 | 1    | LH 7-Piston Center Section Kit |
| 54  | 104-2147 | 1    | Sealant                        |
| 55  | 107-2489 | 1    | Bypass Arm Kit                 |
| 57  | 106-8693 | 1    | Filter Kit                     |
| 58  | 106-8694 | 1    | Disc-Brake, Cog                |
| 59  | 105-1927 | 1    | Fan                            |
| 60  | 105-1896 | 1    | Pulley                         |
| 61  | 105-1875 | 1    | Nut-Lock                       |
| 62  | 104-2120 | 3    | Screw                          |



## Engine Assembly

| Ref | Part No.    | Qty. | Description                  |
|-----|-------------|------|------------------------------|
| 1   |             | 1    | Engine-Honda, Gxv 530 Exa2Lb |
| 5   | 55-9310     | 1    | Seal-Foam                    |
| 6   | 107-4873    | 1    | Bracket-Pivot                |
| 7   | 108-2312    | 1    | Muffler                      |
| 8   | 32128-33    | 2    | Nut-HF                       |
| 9   | 32144-44    | 1    | Screw-HWH                    |
| 10  | 322-9       | 4    | Screw-HH                     |
| 11  | 106-7022    | 1    | Tube-Drain, Oil              |
| 12  | 3296-42     | 1    | Nut-Lock, NI                 |
| 13  | 92-6877     | 1    | Valve-Drain, Oil             |
| 14  | 105-3472    | 1    | Pulley-Engine                |
| 15  | 98-5023     | 1    | Bumper                       |
| 16  | 108-9511    | 1    | Clutch-PTO, Electric         |
| 17  | 112843      | 1    | Washer                       |
| 18  | 3212-18     | 1    | Screw-HH                     |
| 19  | 106-2156    | 1    | Plate-Mount, Idler           |
| 20  | 32128-25    | 4    | Nut-HF                       |
| 21  | 3296-29     | 2    | Nut-Lock, NI                 |
| 22  | 107-2506-03 | 1    | Mount-Spring                 |
| 23  | 322-4       | 2    | Screw-HH                     |
| 24  | 46-8560     | 3    | Screw-HHF                    |
| 25  | 237-124     | 1    | Grommet                      |
| 26  | 609830      | 2    | Spring                       |
| 27  | 108-2315-03 | 1    | Plate-Support                |

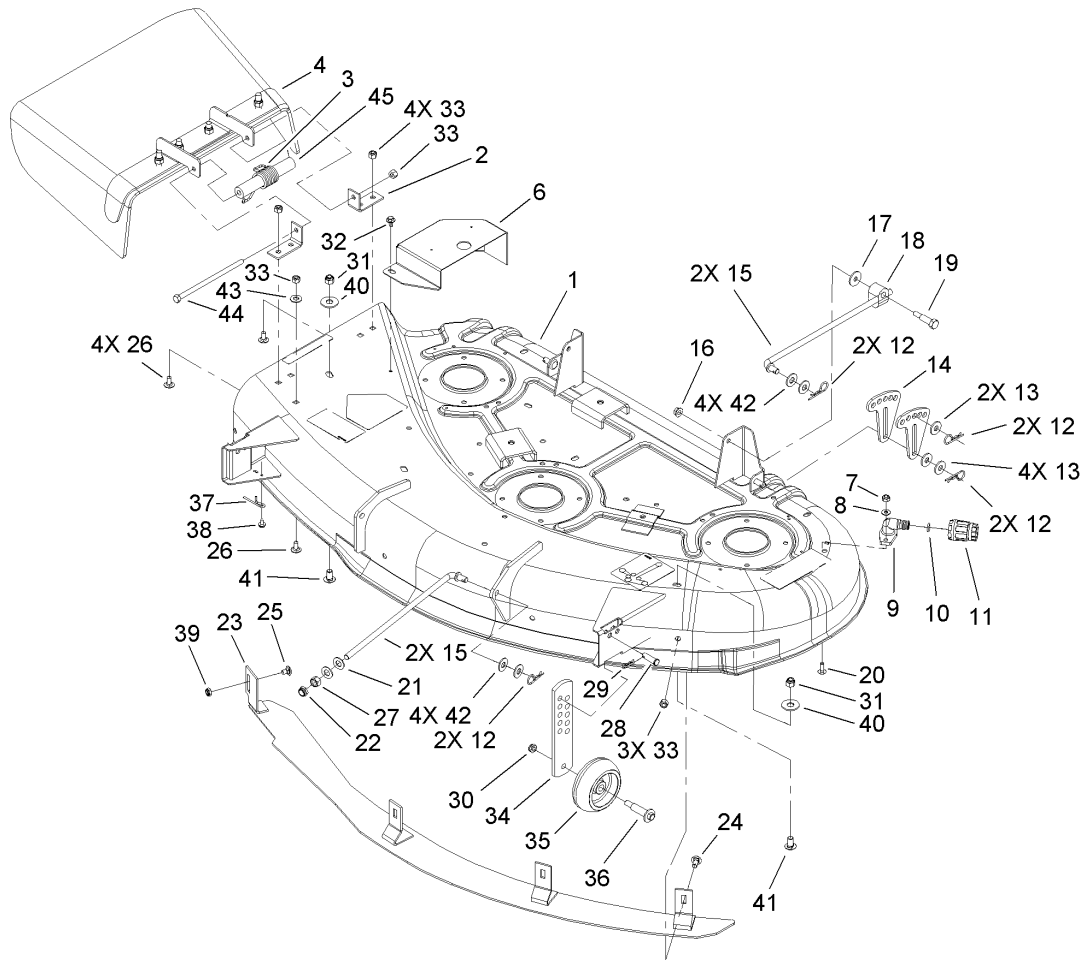
| Ref  | Part No.    | Qty. | Description     |
|------|-------------|------|-----------------|
| 28   | 110-1876    | 1    | Hose-Fuel       |
| 29   | 2412-98     | 2    | Clamp           |
| 30   | 107-9172    | 1    | Fuel Tank ASM   |
| 30:2 | 46-6560     | 1    | Bushing         |
| 30:3 | 110-6565    | 1    | Valve-Fuel      |
| 31   | 108-2314-03 | 1    | Plate-Tank      |
| 32   | 108-6183    | 2    | Isolator-Rubber |
| 35   | 32128-32    | 2    | Nut-HHF         |
| 38   | 108-9557    | 1    | Decal-Engine    |



## Styling Assembly

| Ref | Part No.    | Qty. | Description         |
|-----|-------------|------|---------------------|
| 1   | 3296-42     | 6    | Nut-Lock, NI        |
| 2   | 321-18      | 2    | Screw-HH            |
| 3   | 110-6541    | 1    | Panel-Kick          |
| 4   | 108-9575    | 1    | Decal-Danger        |
| 5   | 108-6148    | 1    | Decal               |
| 6   | 110-6556    | 1    | Decal-Logo          |
| 7   | 108-2328    | 1    | Footrest            |
| 8   | 105-1853    | 2    | Clamp-Hose          |
| 9   | 321-4       | 2    | Screw-HH            |
| 10  | 107-9173-03 | 1    | Brace-Support       |
| 11  | 108-2313-03 | 1    | Channel-Cross       |
| 12  | 46-8560     | 4    | Screw-HHF           |
| 13  | 46-8090     | 5    | Screw-Plastite      |
| 14  | 3256-22     | 5    | Washer-Flat         |
| 15  | 107069      | 4    | Clip                |
| 16  | 3258-166    | 4    | Screw-PRH           |
| 17  | 108-2364    | 1    | Decal               |
| 18  | 107-9174-03 | 1    | Panel-Control       |
| 19  | 93-7198     | 1    | Gas Cap ASM         |
| 20  | 108-6150    | 1    | Washer-Seal, Rubber |
| 21  | 107-9168    | 1    | Cover-Side, RH      |
| 22  | 107-9169    | 1    | Cover-Side, LH      |
| 23  | 104-8081    | 1    | Cable-Throttle      |
| 24  | 108-6182    | 2    | Screw-Shoulder      |

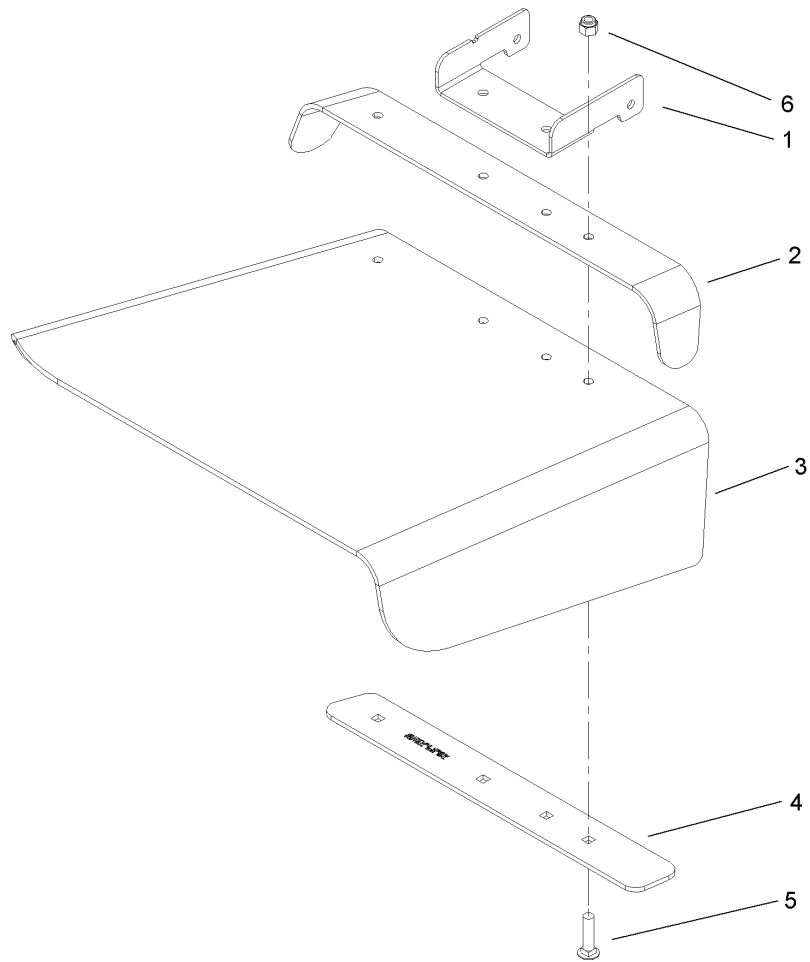
| Ref  | Part No. | Qty. | Description                  |
|------|----------|------|------------------------------|
| 26   | 108-2305 | 2    | Grommet                      |
| 27   | 108-2334 | 1    | Hood Cover ASM               |
| 27:2 | 107-9198 | 2    | Pin-Hood                     |
| 27:3 | 107-9199 | 2    | Plate                        |
| 27:4 | 94-6961  | 4    | Screw                        |
| 28   | 110-6554 | 1    | Decal-Side Cover, RH         |
| 29   | 110-6553 | 1    | Decal-Side Cover, LH         |
| 30   | 108-2391 | 2    | Rod-Support                  |
| 31   | 108-6162 | 1    | Footmat-Footrest             |
| 32   | 3256-58  | 2    | Washer-Flat                  |
| 33   | 94-4496  | 4    | Screw-PPH                    |
| 34   | 107-9179 | 2    | Light-Halogen                |
| 35   | 107-9178 | 2    | Bezel-Rubber                 |
| 36   | 108-6159 | 1    | Harness-Headlights, Footrest |
| 38   | 250-4    | 2    | Tie-Cable                    |



## 44in Deck Assembly

| Ref | Part No.    | Qty. | Description              |
|-----|-------------|------|--------------------------|
| 1   | 108-6114    | 1    | 44 Inch Deck ASM         |
| 2   | 108-6196-03 | 2    | Bracket-Pivot, Deflector |
| 3   | 108-4052    | 1    | Spring-Torsion           |
| 4   | 108-8591    | 1    | Deflector ASM            |
| 5   | 104-3646-03 | 1    | Cover-Belt, LH           |
| 6   | 104-3645-03 | 1    | Cover-Belt, RH           |
| 7   | 3296-16     | 2    | Nut-Lock, NI             |
| 8   | 3256-1      | 2    | Washer-Flat              |
| 9   | 95-2747     | 1    | Fitting-Washout          |
| 10  | 46-6290     | 1    | O-Ring                   |
| 11  | 95-3270     | 1    | Connector-Hose           |
| 12  | 9335054     | 8    | Pin-Hair                 |
| 13  | 80-6990     | 6    | Washer-Hardened          |
| 14  | 88-5570-03  | 4    | Link-Adjusting, HOC      |
| 15  | 105-3437    | 4    | Rod-Hanger               |
| 16  | 32128-25    | 2    | Nut-HF                   |
| 17  | 5-4460      | 2    | Washer-Pivot             |
| 18  | 88-4230     | 2    | Trunnion-HOC             |
| 19  | 7-0030      | 2    | Bolt-Shoulder            |
| 20  | 3229-1      | 2    | Screw-CARR               |
| 21  | 3256-25     | 4    | Washer-Flat              |
| 22  | 3296-38     | 2    | Nut-Lock, NI             |
| 23  | 93-9950-03  | 1    | Baffle                   |
| 24  | 3230-1      | 3    | Bolt-CARR                |

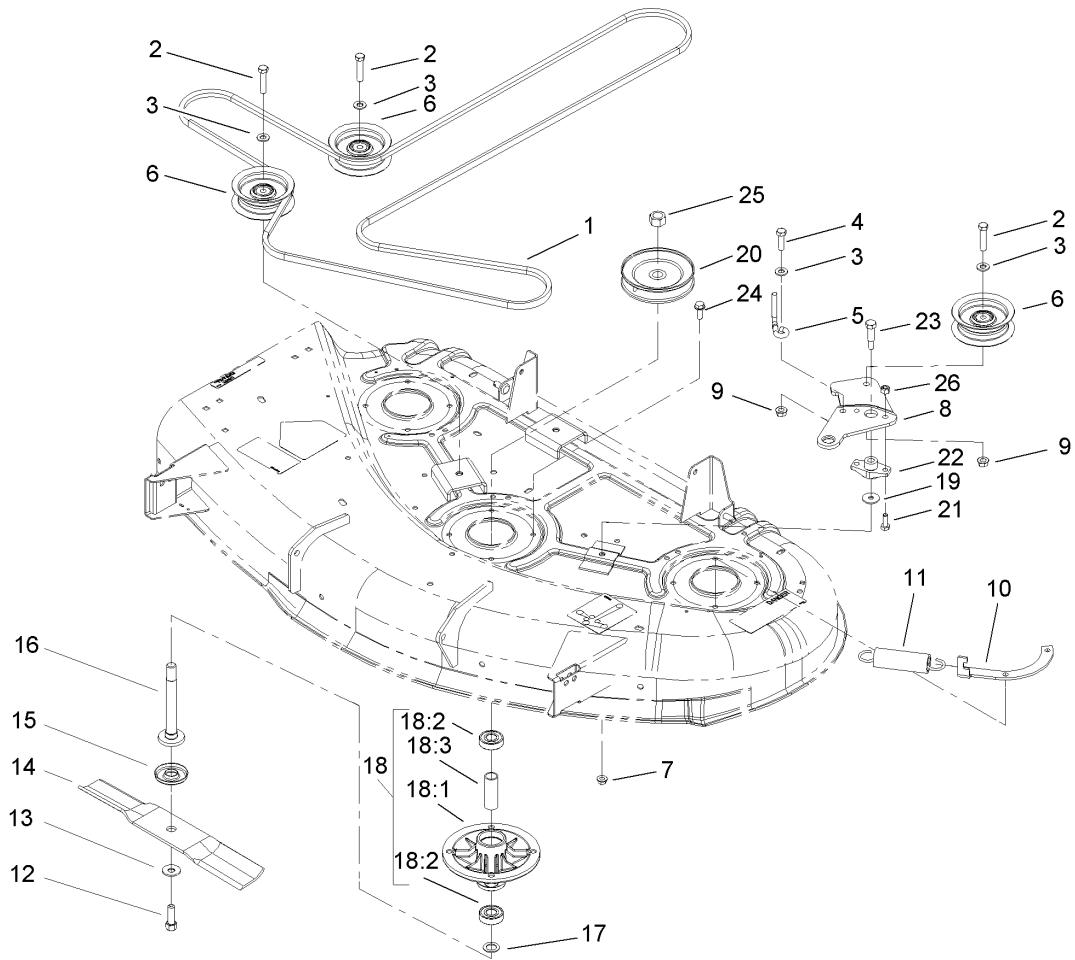
| Ref | Part No. | Qty. | Description        |
|-----|----------|------|--------------------|
| 25  | 3230-19  | 1    | Screw-CARR         |
| 26  | 3230-18  | 5    | Screw-CARR         |
| 27  | 3219-4   | 2    | Nut-Hex            |
| 28  | 283-2    | 2    | Pin-Clevis         |
| 29  | 3290-307 | 2    | Pin-Hair           |
| 30  | 3296-59  | 2    | Nut-Lock, NI       |
| 31  | 3296-39  | 2    | Nut-Lock, NI       |
| 32  | 46-8560  | 4    | Screw-HHF          |
| 33  | 3296-29  | 9    | Nut-Lock, NI       |
| 34  | 93-8010  | 2    | Plate-Gage, Wheel  |
| 35  | 701756   | 2    | Wheel-Gage         |
| 36  | 56-6591  | 2    | Bolt-Wheel         |
| 37  | 94-1981  | 2    | Spring-Gage, Wheel |
| 38  | 32104-76 | 2    | Screw              |
| 39  | 3296-47  | 1    | Nut-Lock, NI       |
| 40  | 3256-5   | 2    | Washer-Flat        |
| 41  | 3231-21  | 2    | Screw-CARR         |
| 42  | 3256-4   | 8    | Washer-Flat        |
| 43  | 3256-24  | 1    | Washer-Flat        |
| 44  | 108-8539 | 1    | Bolt-HH            |
| 45  | 108-7159 | 1    | Spacer-Deflector   |



### Deflector Assembly No. 108-8591

| Ref | Part No.    | Qty. | Description       |
|-----|-------------|------|-------------------|
| 1   | 108-6184-03 | 1    | Hinge-Deflector   |
| 2   | 108-6172-03 | 1    | Support-Discharge |
| 3   | 108-8590    | 1    | Deflector-Rubber  |
| 4   | 108-6174-03 | 1    | Strap-Discharge   |
| 5   | 3230-3      | 4    | Screw-CARR        |
| 6   | 3296-29     | 4    | Nut-Lock, NI      |



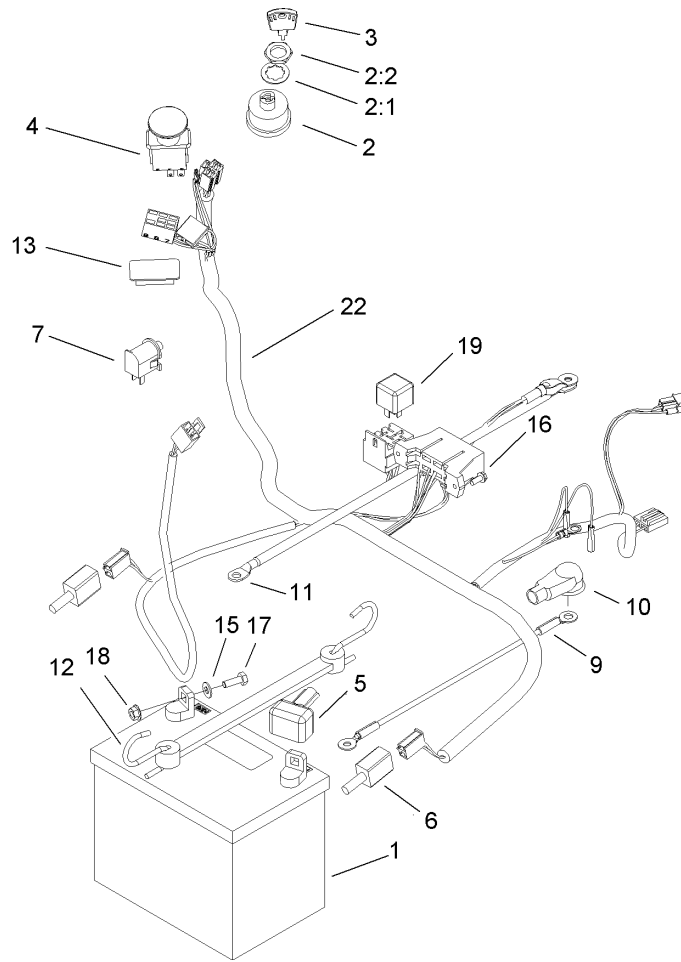


## 44in Deck Spindle and Drive Belt Assembly

| Ref  | Part No.    | Qty. | Description        |
|------|-------------|------|--------------------|
| 1    | 107-1735    | 1    | Belt-V             |
| 2    | 323-9       | 3    | Screw-HH           |
| 3    | 3256-24     | 4    | Washer-Flat        |
| 4    | 323-7       | 1    | Screw-HH           |
| 5    | 107-7307    | 1    | Guide-Idler, Belt  |
| 6    | 106-2175    | 3    | Pulley-Idler, Flat |
| 7    | 32128-25    | 1    | Nut-HF             |
| 8    | 107-2467-03 | 1    | Arm-Idler          |
| 9    | 32128-21    | 2    | Nut-HF             |
| 10   | 107-2513    | 1    | Bracket-Spring     |
| 11   | 1-603414    | 1    | Spring-Extension   |
| 12   | 26-0671     | 3    | Screw-Blade        |
| 13   | 3290-465    | 3    | Washer-Belleville  |
| 14   | 54-0010-03  | 3    | Blade              |
| 15   | 80-4360     | 3    | Shield-Bearing     |
| 16   | 80-4341     | 3    | Shaft              |
| 17   | 80-4380     | 3    | Spacer             |
| 18   |             | 3    | Spindle ASM        |
| 18:1 | 88-4510     | 1    | Housing-Spindle    |
| 18:2 | 100-1048    | 2    | Bearing-Ball       |
| 18:3 | 62-3661     | 1    | Spacer-Bearing     |
| 19   | 5-4460      | 1    | Washer-Pivot       |
| 20   | 107-1724    | 3    | Pulley ASM         |
| 21   | 322-4       | 2    | Screw-HH           |

| Ref | Part No. | Qty. | Description        |
|-----|----------|------|--------------------|
| 22  | 88-4980  | 1    | Bushing-Arm, Idler |
| 23  | 7-0030   | 1    | Bolt-Shoulder      |
| 24  | 32144-41 | 12   | Screw-Taptite      |
| 25  | 3219-6   | 3    | Nut-Hex            |
| 26  | 3296-29  | 2    | Nut-Lock, NI       |

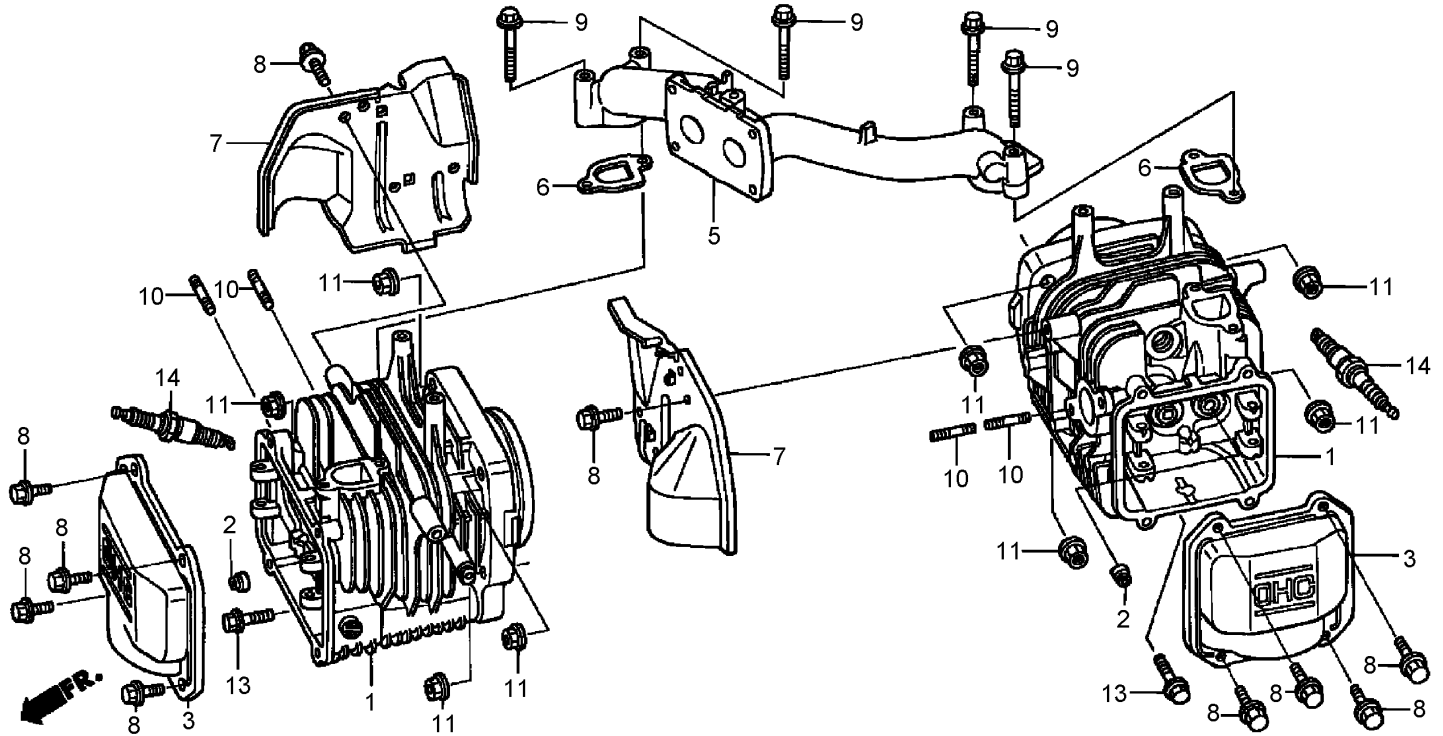




### Electrical Assembly

| Ref | Part No. | Qty. | Description              |
|-----|----------|------|--------------------------|
| 1   | 104-2491 | 1    | Battery-Dry              |
| 2   | 88-9830  | 1    | Key Switch ASM           |
| 2:1 | 3254-5   | 1    | Washer-Tooth             |
| 2:2 | 218-461  | 1    | Nut-HH                   |
| 3   | 700918   | 1    | Key                      |
| 4   | 95-7489  | 1    | Switch-PTO               |
| 5   | 28-8080  | 1    | Boot-Terminal            |
| 6   | 106-2216 | 2    | Switch                   |
| 7   | 82-2190  | 1    | Switch-Bail              |
| 9   | 93-1189  | 1    | Wire ASM                 |
| 10  | 93-3190  | 1    | Boot-Insulator, Terminal |
| 11  | 95-7654  | 1    | Cable                    |
| 12  | 104-2466 | 1    | Holddown-Battery         |
| 13  | 95-8999  | 1    | Switch                   |
| 15  | 3256-22  | 2    | Washer-Flat              |
| 16  | 32144-1  | 4    | Screw-Taptite            |
| 17  | 321-4    | 2    | Screw-HH                 |
| 18  | 32128-33 | 2    | Nut-HF                   |
| 19  | 98-7249  | 2    | Relay                    |
| 22  | 108-6157 | 1    | Harness-Wire W/Lights    |
| ①99 | 33004-00 | 1    | Nut-HF                   |

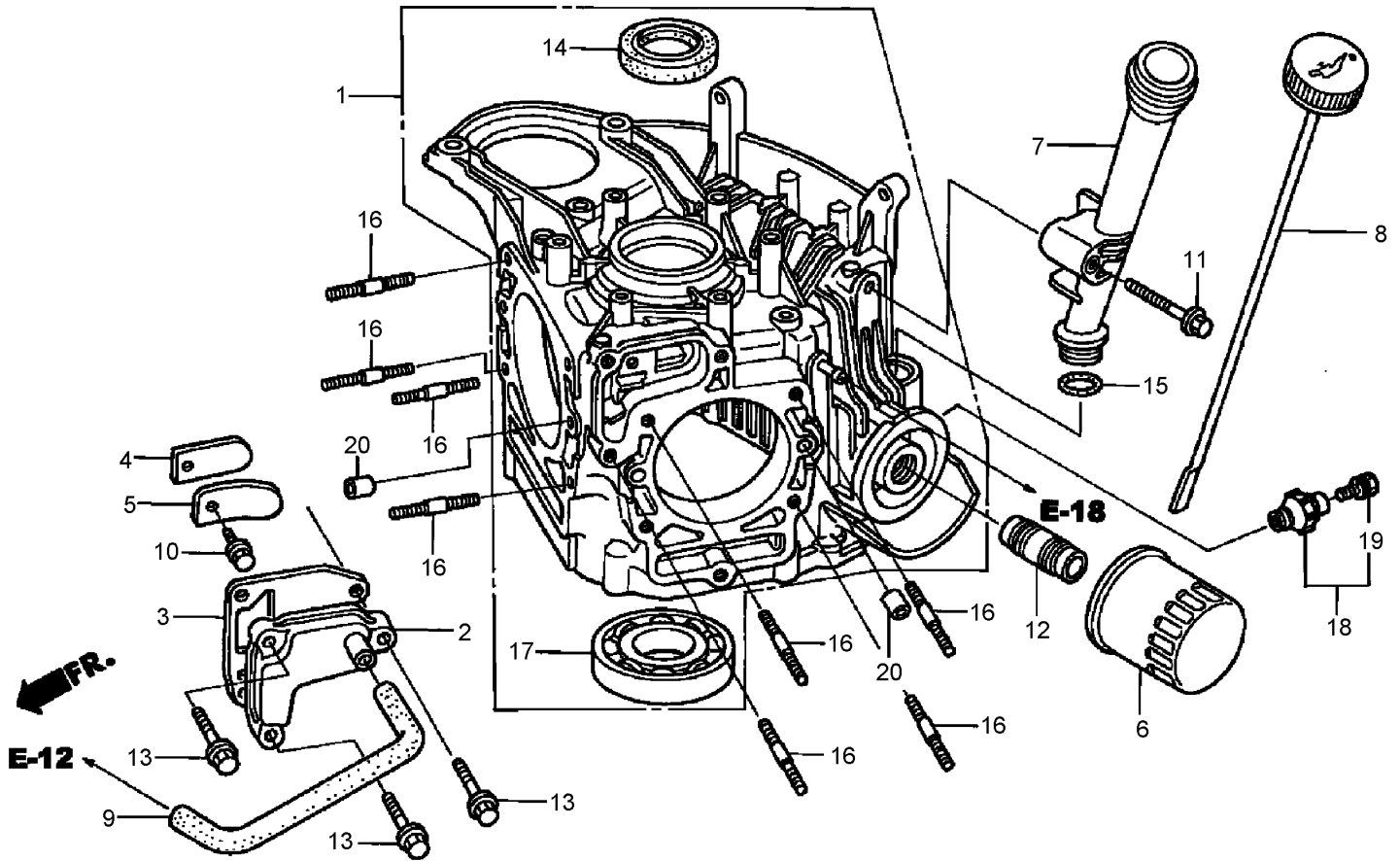
|  |  |  |  |
|--|--|--|--|
|  |  |  |  |
|  |  |  |  |
|  |  |  |  |
|  |  |  |  |



## Cylinder Assembly Honda GXV530 EXA2LB

| Ref | Part No.       | Qty. | Description                     |
|-----|----------------|------|---------------------------------|
| ●1  | 12100-Z0A-406  | 2    | Cylinder                        |
| ●2  | 12209-422-005  | 2    | Seal-Stem, Valve                |
| ●3  | 12311-Z0A-000  | 2    | Cover-Head                      |
| ●5  | 17101-Z0A-000  | 1    | Manifold-Intake                 |
| ●6  | 17151-Z0A-000  | 2    | Gasket-Manifold, Intake         |
| ●7  | 19631-Z0A-000  | 2    | Shroud                          |
| ●8  | 90013-883-000  | 10   | Bolt-Flange (6X12) (C T200)     |
| ●9  | 90016-ZE8-000  | 4    | Bolt-Flange (6X45) (C T200)     |
| ●10 | 90045-892-000  | 4    | Bolt-Stud (6X28)                |
| ●11 | 90201-Z0A-000  | 8    | Nut-Flange (8Mm)                |
| ●13 | 95701-06030-00 | 2    | Bolt-Flange (6X30)              |
| ●14 | 98079-54846    | 2    | Spark Plug (B P R4E S) (N G K)  |
| ●14 | 98079-54855    | 2    | Spark Plug (W14E P R-U) (Denso) |
| ●14 | 98079-55846    | 2    | Spark Plug (B P R 5E S) (N G K) |

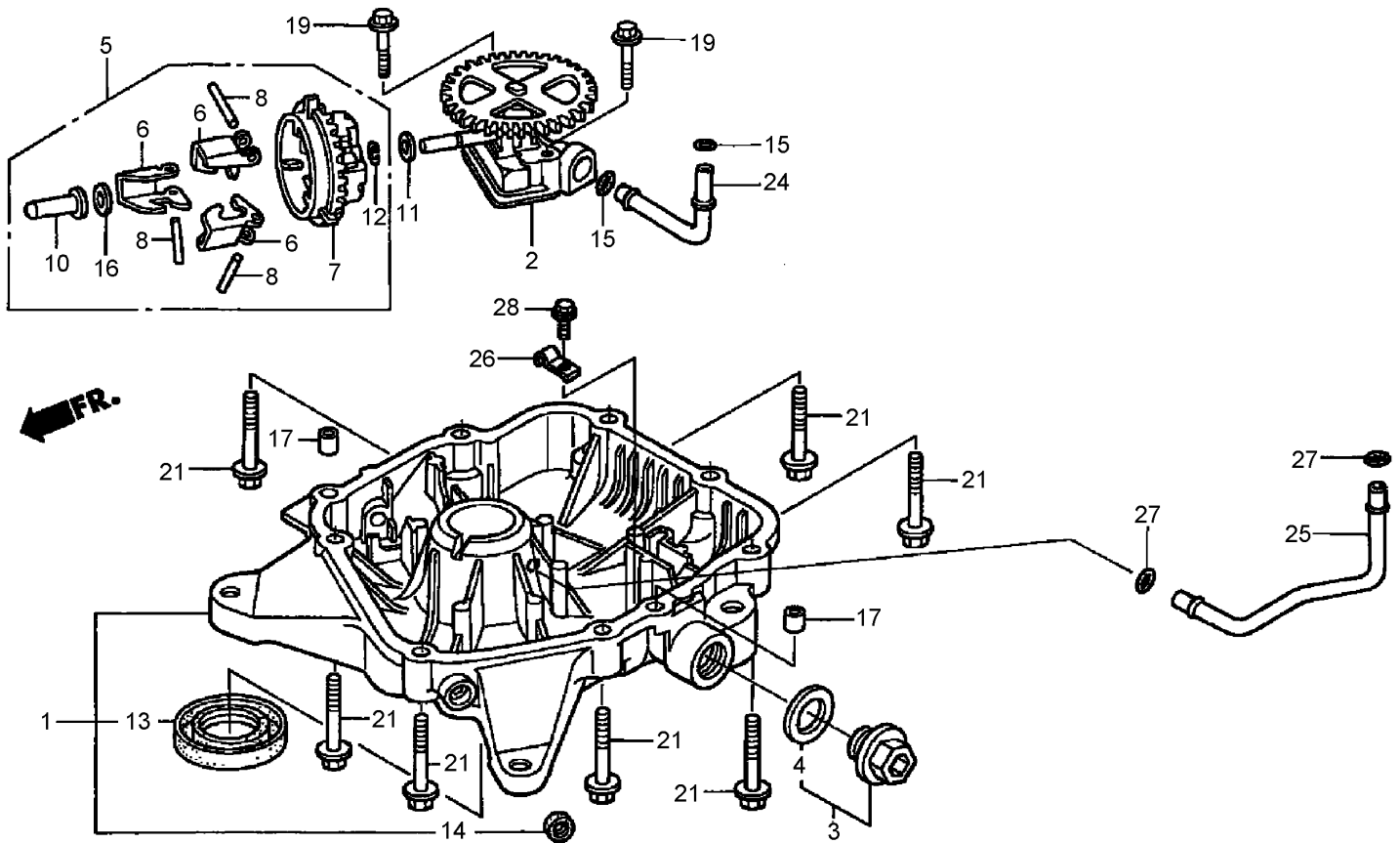
| Ref | Part No.    | Qty. | Description                     |
|-----|-------------|------|---------------------------------|
| ●14 | 98079-55855 | 2    | Spark Plug (W16E P R-U) (Denso) |



## Crankcase Assembly Honda GXV530 EXA2LB

| Ref | Part No.      | Qty. | Description                  |
|-----|---------------|------|------------------------------|
| ●1  | 11100-Z0A-409 | 1    | Crankcase ASM (840)          |
| ●2  | 12356-Z0A-000 | 1    | Cover-Breather               |
| ●3  | 12358-Z0A-000 | 1    | Gasket-Cover, Breather       |
| ●4  | 12372-ZA0-701 | 1    | Plate-Valve                  |
| ●5  | 12374-Z0A-000 | 1    | Stopper-Valve                |
| ●6  | 15410-MCJ-000 | 1    | Filter-Oil (Toyo Roki)       |
| ●7  | 15631-Z0A-000 | 1    | Extension-Filler, Oil        |
| ●8  | 15655-Z0A-800 | 1    | Dipstick-Oil                 |
| ●9  | 15721-Z0A-000 | 1    | Tube-Breather                |
| ●10 | 90002-892-000 | 1    | Bolt-Flange (5X10)           |
| ●11 | 90016-ZE8-000 | 1    | Bolt-Flange (6X45) (C T200)  |
| ●12 | 90018-PN3-000 | 1    | Holder-Filter, Oil           |
| ●13 | 90121-952-000 | 3    | Bolt-Flange (6X25) (C T 200) |

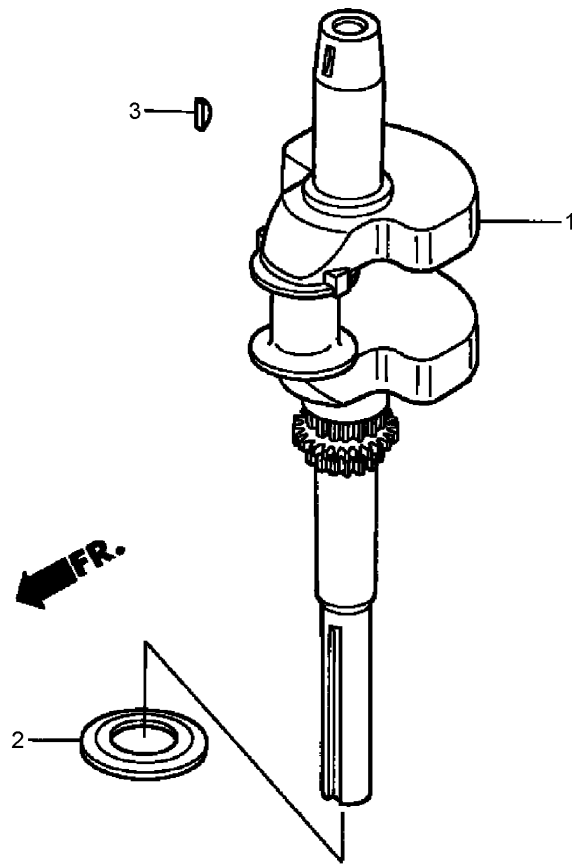
| Ref | Part No.       | Qty. | Description               |
|-----|----------------|------|---------------------------|
| ●14 | 91201-ZE3-004  | 1    | Seal-Oil (35X5X8)         |
| ●15 | 91301-ZE9-003  | 1    | O-Ring (22.5X2.2)         |
| ●16 | 92900-08028-0E | 8    | Bolt-Stud (8X28)          |
| ●17 | 96100-62070-00 | 1    | Bearing-Ball, Radial      |
| ●18 | 35490-Z0A-003  | 1    | Oil Pressure Switch ASM   |
| ●19 | 90002-PA6-003  | 1    | Bolt-Washer (4X8) (Denso) |
| ●20 | 94301-08140    | 4    | Pin-Dowel (8X14)          |



## Oil Pan Assembly Honda GXV530 EXA2LB

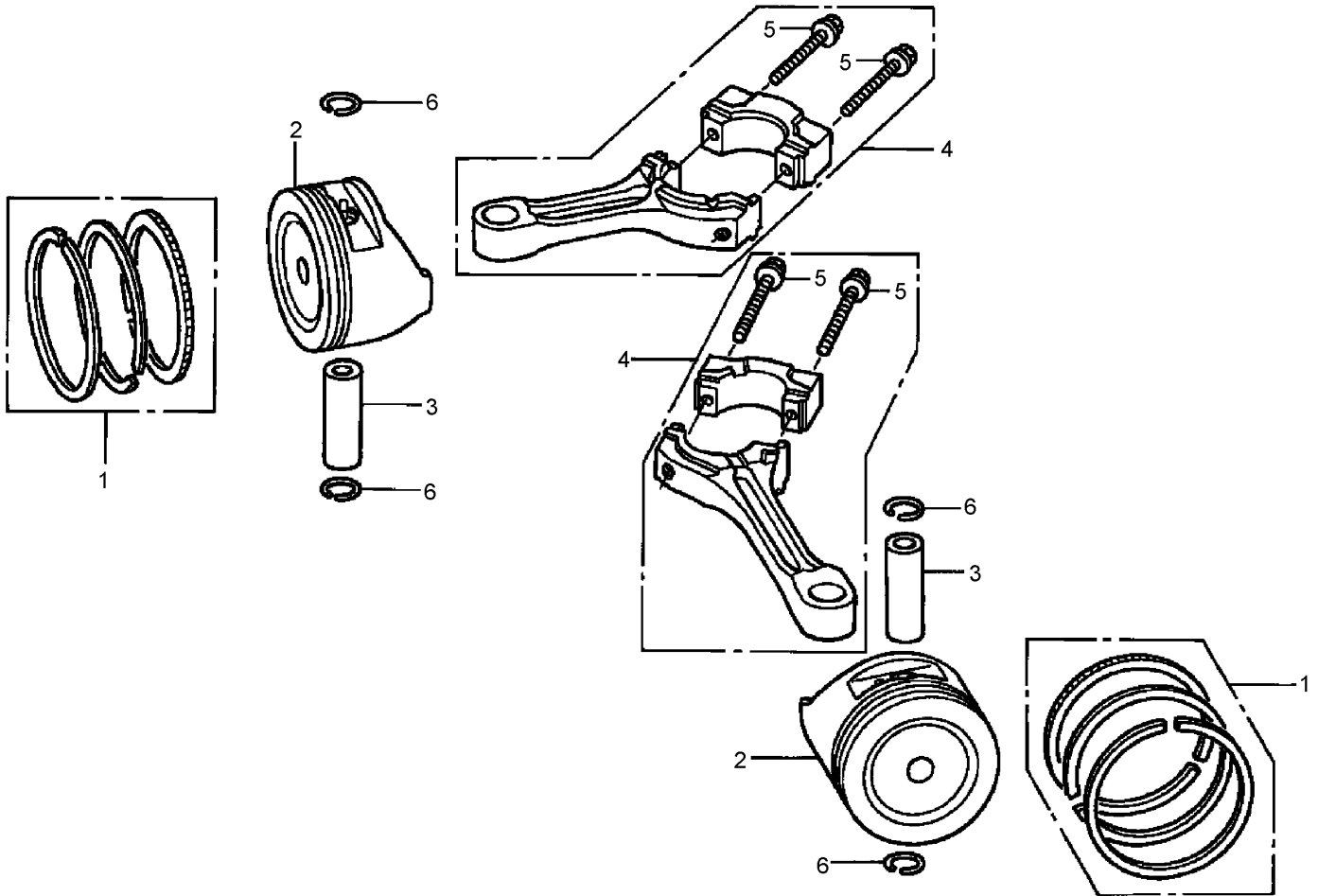
| Ref | Part No.      | Qty. | Description             |
|-----|---------------|------|-------------------------|
| ❶   | 11300-Z0A-830 | 1    | Oil Pan ASM             |
| ❷   | 15100-Z0A-811 | 1    | Oil Pump ASM            |
| ❸   | 15550-Z0A-810 | 1    | Drain Cap ASM           |
| ❹   | 15625-ZE1-003 | 1    | Gasket-Cap, Oil Filler  |
| ❺   | 16510-Z0A-000 | 1    | Governor ASM            |
| ❻   | 16511-Z0A-000 | 3    | Weight-Governor         |
| ❼   | 16512-Z0A-000 | 1    | Holder-Weight, Governor |
| ❽   | 16513-ZE2-000 | 3    | Pin-Weight, Governor    |
| ❿   | 16531-Z0A-000 | 1    | Slider-Governor         |
| ⓫   | 90473-147-000 | 1    | Washer (6X16)           |
| ⓬   | 90602-ZE1-000 | 1    | Clip-Holder, Governor   |
| ⓭   | 91202-Z0A-003 | 1    | Seal-Oil (31X50X8)      |
| ⓮   | 91259-VM0-000 | 1    | Seal-Oil (10X16X4.5)    |

| Ref | Part No.       | Qty. | Description        |
|-----|----------------|------|--------------------|
| ⓯   | 91301-Z0A-003  | 2    | O-Ring (7.5X2.3)   |
| ⓰   | 94101-06800    | 1    | Washer-Plain (6Mm) |
| ⓱   | 94301-08140    | 2    | Pin-Dowel (8X14)   |
| ⓲   | 95701-06035-00 | 1    | Bolt-Flange (6X35) |
| ⓳   | 95701-08040-00 | 7    | Bolt-Flange (8X40) |
| ⓴   | 15161-Z0A-000  | 1    | Pipe-Pump, Oil     |
| ⓵   | 15162-Z0A-800  | 1    | Pipe-Supply, Oil   |
| ⓶   | 15163-Z0A-000  | 1    | Holder-Pipe, Oil   |
| ⓷   | 91302-Z0A-003  | 2    | O-Ring (5.8X2)     |
| ⓸   | 95701-06012-00 | 1    | Bolt-Flange (6X12) |



## Crankshaft Assembly Honda GXV530 EXA2LB

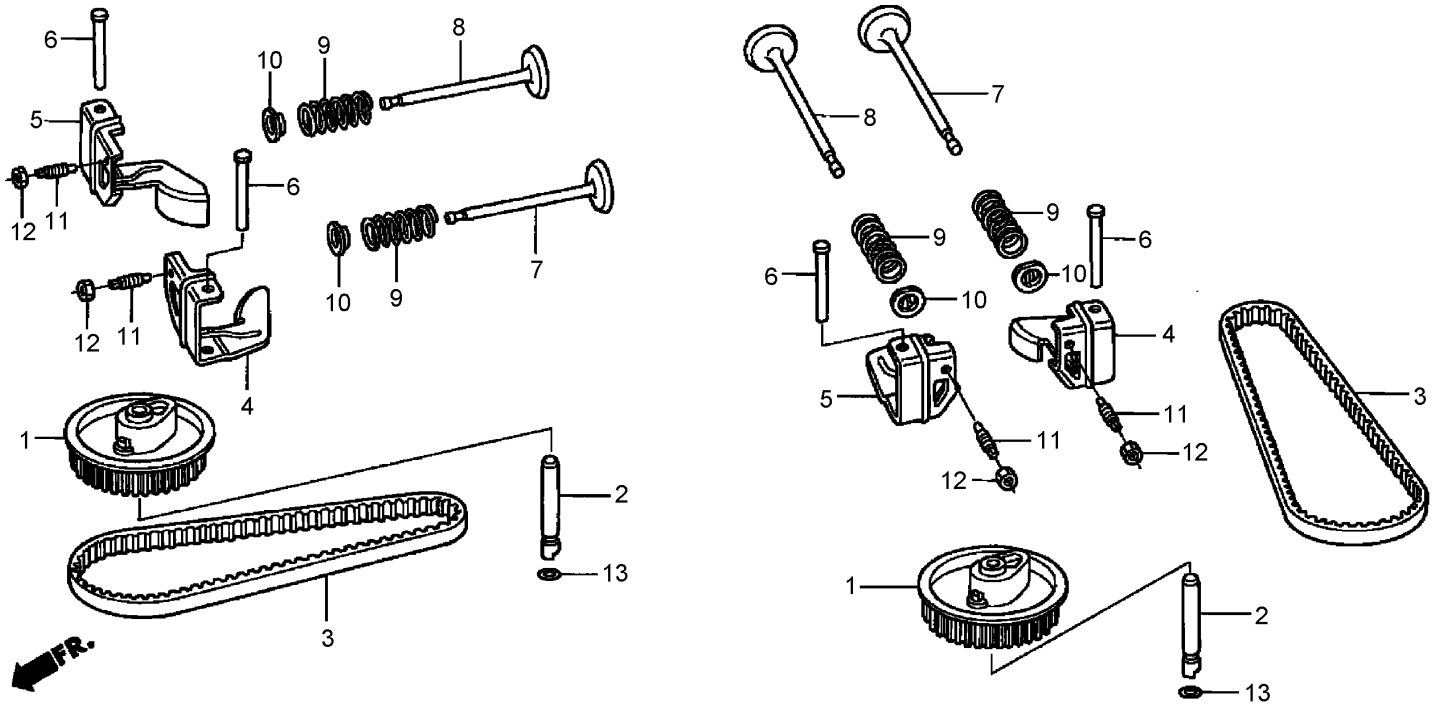
| Ref | Part No.      | Qty. | Description                   |  |  |  |  |
|-----|---------------|------|-------------------------------|--|--|--|--|
| ❶   | 13310-Z0A-800 | 1    | Crankshaft                    |  |  |  |  |
| ❷   | 90401-Z0A-000 | 1    | Washer-Thrust                 |  |  |  |  |
| ❸   | 90741-ZE2-000 | 1    | Key-Woodruff, Special (25X18) |  |  |  |  |



## Piston and Connecting Rod Assembly Honda GXV530 EXA2LB

| Ref | Part No.      | Qty. | Description                    |
|-----|---------------|------|--------------------------------|
| ❶   | 13010-Z0A-003 | 2    | Piston Ring Set (STD) (Nippon) |
| ❶   | 13010-Z0A-014 | 2    | Piston Ring Set                |
| ❷   | 13101-Z0A-800 | 2    | Piston (STD)                   |
| ❸   | 13111-ZJ1-840 | 2    | Pin-Piston                     |
| ❹   | 13200-Z0A-801 | 2    | Connecting Rod ASM             |
| ❺   | 90001-ZN1-000 | 4    | Bolt-Rod, Connecting (6X37)    |
| ❻   | 90551-ZE1-000 | 4    | Clip-Pin, Piston (18 Mm)       |

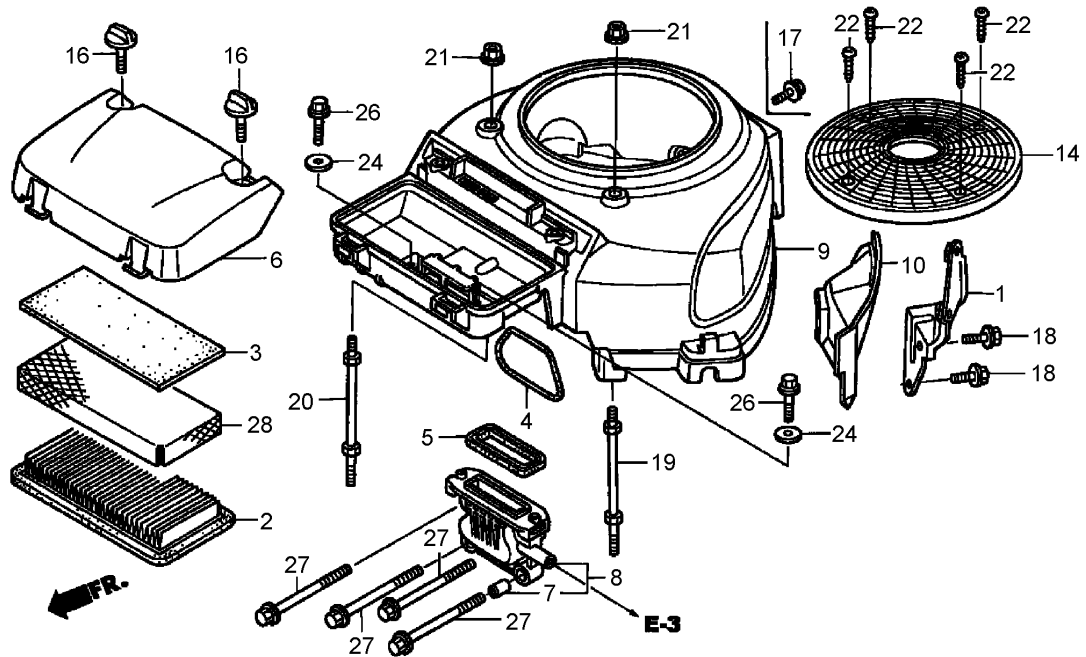
|  |  |  |  |
|--|--|--|--|
|  |  |  |  |
|  |  |  |  |
|  |  |  |  |
|  |  |  |  |



## Camshaft Assembly Honda GXV530 EXA2LB

| Ref | Part No.      | Qty. | Description                     |
|-----|---------------|------|---------------------------------|
| ❶   | 14320-Z0A-000 | 2    | Pulley-Camshaft                 |
| ❷   | 14324-ZL8-000 | 2    | Shaft-Pulley, Cam               |
| ❸   | 14400-Z0A-003 | 2    | Belt-Timing (97Hu8 G-200)       |
| ❹   | 14431-Z0A-000 | 2    | Arm-Valve Rocker, Intake        |
| ❺   | 14441-Z0A-000 | 2    | Arm-Valve Rocker, Exhaust       |
| ❻   | 14461-Z0A-000 | 4    | Shaft-Arm, Rocker               |
| ❼   | 14711-Z0A-000 | 2    | Valve-Intake                    |
| ❽   | 14721-Z0A-000 | 2    | Valve-Exhaust                   |
| ❾   | 14751-ZE1-000 | 4    | Spring-Valve                    |
| ❿   | 14771-ZE1-000 | 4    | Retainer-Spring, Valve (Intake) |
| ⓫   | 90012-333-000 | 4    | Screw-Adjusting, Tappet         |
| ⓬   | 90206-001-000 | 4    | Nut-Adjusting, Tappet           |
| ⓭   | 91301-ZM0-V31 | 2    | O-Ring (6.8X19) (Arai)          |

|  |  |  |  |
|--|--|--|--|
|  |  |  |  |
|  |  |  |  |
|  |  |  |  |
|  |  |  |  |

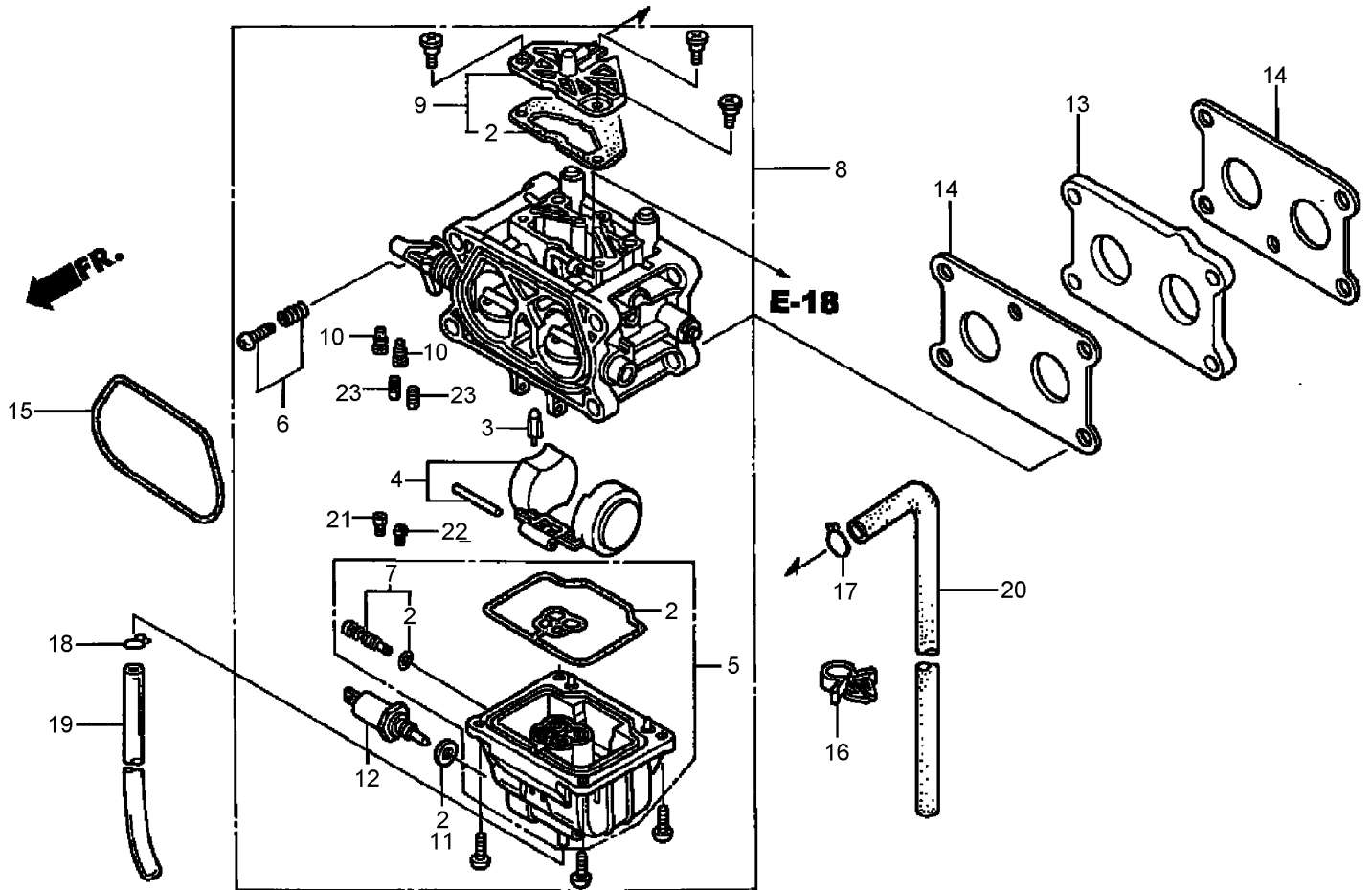


## Fan Cover Assembly Honda GXV530 EXA2LB

| Ref | Part No.        | Qty. | Description                     |
|-----|-----------------|------|---------------------------------|
| ❶   | 16711-Z0A-000   | 1    | Stay-Pump, Fuel                 |
| ❷   | 17211-Z0A-013   | 1    | Element-Cleaner, Air            |
| ❸   | 17218-Z0A-810   | 1    | Filter (Outer)                  |
| ❹   | 17228-Z0A-003   | 1    | Gasket-Cleaner, Air             |
| ❺   | 17229-Z0A-000   | 1    | Seal-Housing, Air Cleaner       |
| ❻   | 17231-Z0A-000   | 1    | Cover-Cleaner, Air              |
| ❼   | 17238-ZJ4-830   | 4    | Collar A-Cleaner, Air           |
| ❽   | 17410-Z0A-010   | 1    | Elbow-Cleaner, Air              |
| ❾   | 19611-Z0A-010ZA | 1    | Cover-Fan (Nh1) (Black)         |
| ❿   | 19612-Z0A-000   | 1    | Plate-Side                      |
| ⓫   | 28452-Z0A-000ZA | 1    | Grid-Screen Nh105 (Matte Black) |
| ⓬   | 90004-Z0A-000   | 2    | Bolt (6Mm)                      |
| ⓭   | 90013-ZL8-000   | 2    | Bolt-Flange (6X14) (Ct200)      |

| Ref | Part No.       | Qty. | Description                      |
|-----|----------------|------|----------------------------------|
| ⓮   | 90014-952-000  | 2    | Bolt-Flange (6X14) (C T200)      |
| ⓯   | 90044-Z0A-000  | 1    | Bolt-Stud, Left (Ignition Coil)  |
| ⓰   | 90045-Z0A-000  | 1    | Bolt-Stud, Right (Ignition Coil) |
| ⓱   | 90201-ZM0-000  | 2    | Nut-Flange (6Mm)                 |
| ⓲   | 93913-24410    | 4    | Screw-Tapping (4X16)             |
| ⓳   | 93913-24780    | 4    | Screw-Tapping (4X30) (P0)        |
| ⓴   | 94103-06800    | 2    | Washer-Plain (6Mm)               |
| ⓵   | 95701-06012-00 | 2    | Bolt-Flange (6X12)               |
| ⓶   | 95801-06100-00 | 4    | Bolt-Flange (6X100)              |
| ⓷   | 17212-Z0A-000  | 1    | Grid-Cleaner, Air                |



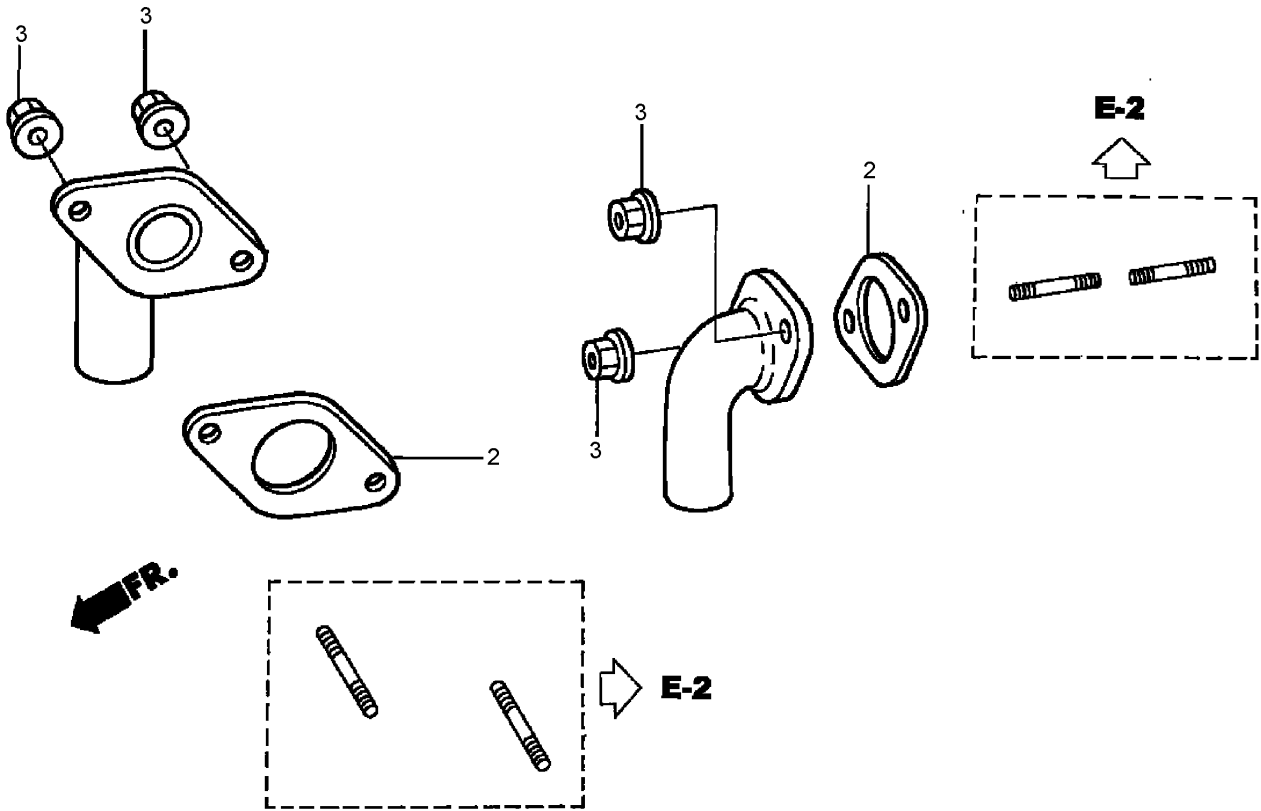


## Carburetor Assembly Honda GXV530 EXA2LB

| Ref | Part No.      | Qty. | Description   |
|-----|---------------|------|---|
| ●2  | 16010-Z0A-802 | 1    | Gasket Set  |
| ●3  | 16011-Z0A-004 | 1    | Valve-Float   |
| ●4  | 16013-Z0A-004 | 1    | Float Set   |
| ●5  | 16015-Z0A-802 | 1    | Float Chamber Set   |
| ●6  | 16016-Z0A-004 | 1    | Screw-Set   |
| ●7  | 16024-Z0A-004 | 1    | Screw-Set, Drain  |
| ●8  | 16100-Z0A-813 | 1    | Carburetor ASM (Up To Engine Serial No. 1014986)                    |
| ●8  | 16100-Z0A-814 | 1    | Carburetor ASM (Bw02B C) (Up To Engine Serial No. 1027210)          |
| ●8  | 16100-Z0A-815 | 1    | Carburetor ASM (Bw02B C) (From Engine Serial No.1027211 To 1061017) |
| ●8  | 16100-Z0P-V02 | 1    | Carburetor ASM (Bw02C A) (From Engine Serial No. 1061018)           |
| ●9  | 16139-Z0A-004 | 1    | Air Vent Cover Set  |
| ●10 | 16168-Z0A-004 | 2    | Cap   |
| ●11 | 16178-Z0A-802 | 1    | Gasket  |

| Ref | Part No.        | Qty. | Description                           |
|-----|-----------------|------|---------------------------------------|
| ●12 | 16200-Z0A-802   | 1    | Solenoid Valve ASM                    |
| ●13 | 16211-Z0A-000   | 1    | Insulator-Carburetor                  |
| ●14 | 16212-Z0A-000   | 2    | Gasket-Insulator                      |
| ●15 | 17228-Z0A-003   | 1    | Gasket-Cleaner, Air                   |
| ●16 | 90659-680-013   | 1    | Clip-Harness, Wire                    |
| ●17 | 95002-02080     | 1    | Clip-Tube (B8)                        |
| ●18 | 95002-02650     | 1    | Clip-Tube (B6.5)                      |
| ●19 | 95003-07008-60M | 1    | Hose-Bulk, Vinyl (4X7X8000) (4X7X300) |
| ●19 | 95003-07008-60M | 1    | Hose-Bulk, Vinyl (4X7X8000) (4X7X300) |
| ●20 | 95005-45001-20M | 1    | Hose-Bulk, Vacuum (45X1000) (45X400)  |
| ●20 | 95005-45001-20M | 1    | Hose-Bulk, Vacuum (45X1000) (45X400)  |
| ●21 | 99131-Z0A-0820  | 1    | Jet-Main (No. 82.5)                   |
| ●21 | 99131-Z0A-0850  | 1    | Jet-Main (No. 85)                     |
| ●21 | 99131-Z0A-0870  | 1    | Jet-Main (No. 87.5)                   |



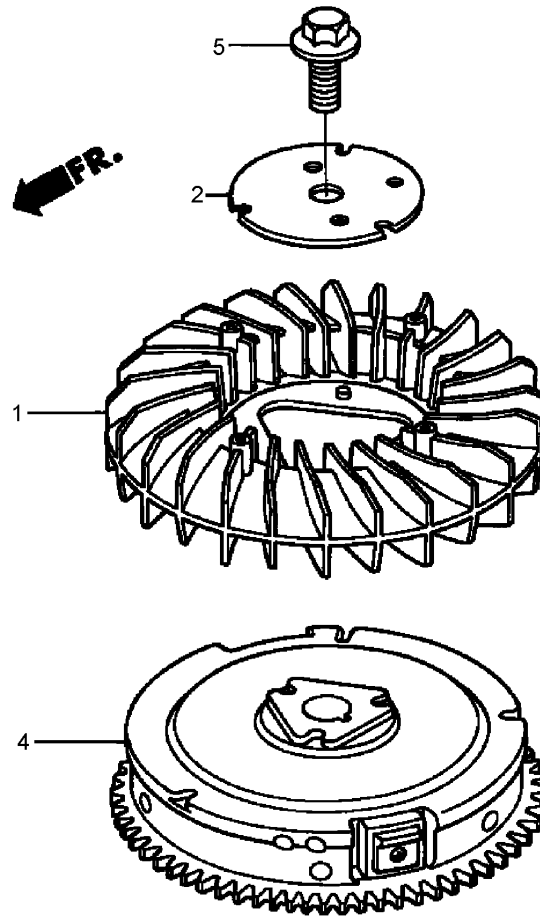


## Exhaust Pipe Assembly Honda GXV530 EXA2LB

| Ref | Part No.      | Qty. | Description          |
|-----|---------------|------|----------------------|
| ●2  | 18333-Z0A-000 | 2    | Gasket-Pipe, Exhaust |
| ●3  | 94050-06000   | 4    | Nut-Flange (6 Mm)    |

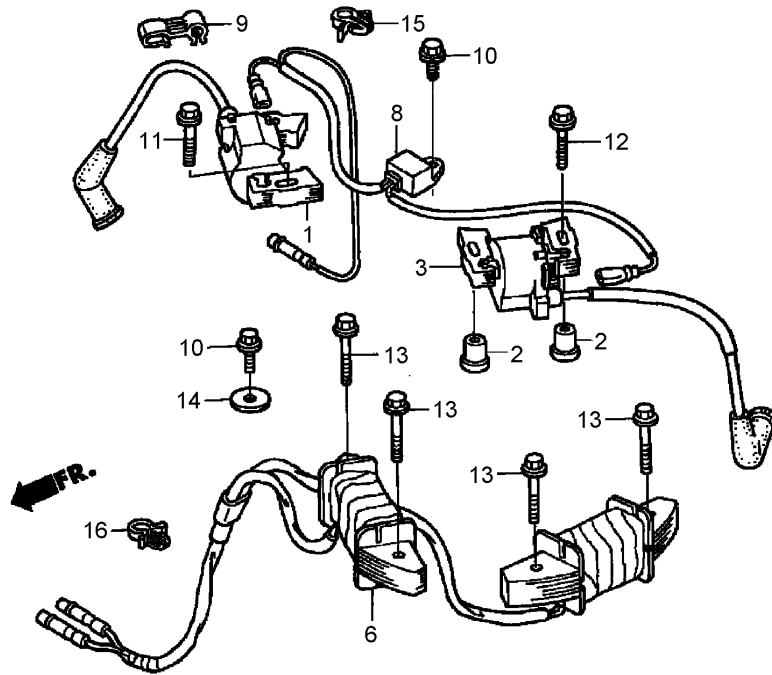
|  |  |  |  |
|--|--|--|--|
|  |  |  |  |
|--|--|--|--|





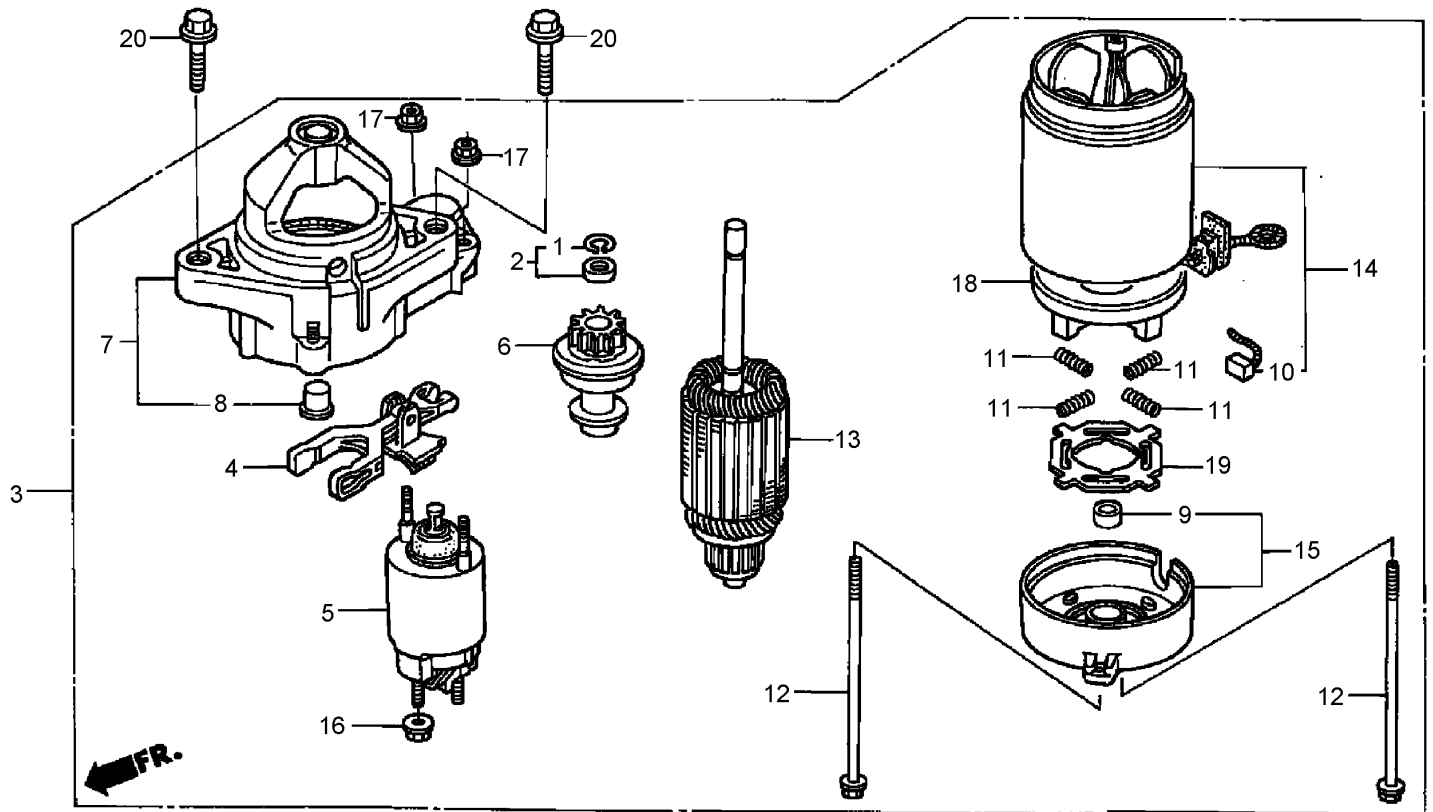
## Flywheel Assembly Honda GXV530 EXA2LB

| Ref | Part No.      | Qty. | Description                |  |  |  |  |
|-----|---------------|------|----------------------------|--|--|--|--|
| ①   | 19511-Z0A-000 | 1    | Fan-Cooling                |  |  |  |  |
| ②   | 19513-Z0A-000 | 1    | Plate-Setting, Cooling Fan |  |  |  |  |
| ④   | 31110-Z0A-800 | 1    | Flywheel (6P)              |  |  |  |  |
| ⑤   | 90011-Z0A-000 | 1    | Bolt-Flange (16X35)        |  |  |  |  |



## Ignition Coil Assembly Honda GXV530 EXA2LB

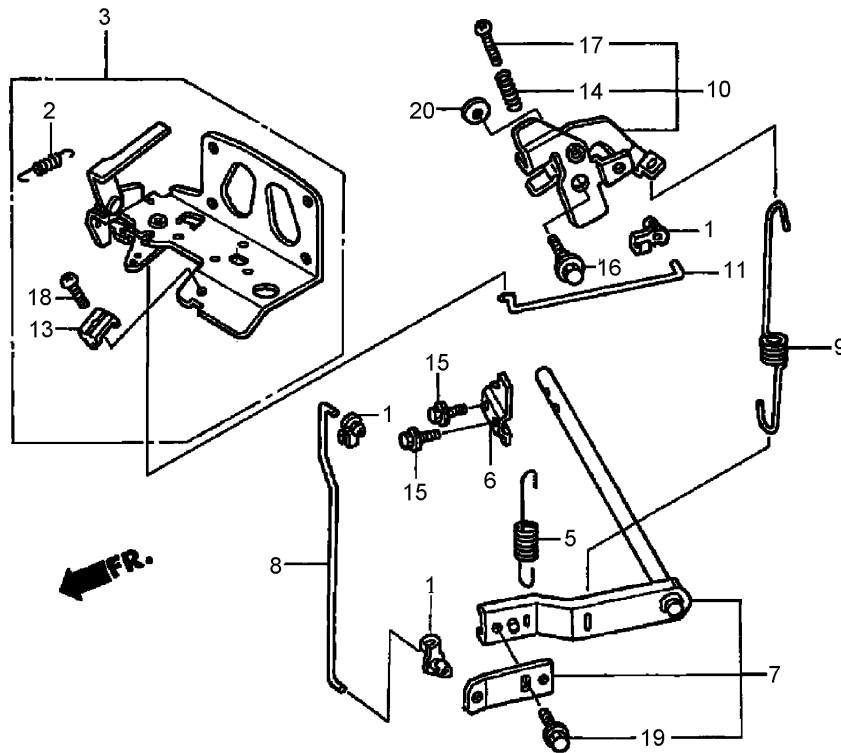
| Ref | Part No.       | Qty. | Description                      |  |  |  |  |
|-----|----------------|------|----------------------------------|--|--|--|--|
| ❶   | 30500-Z0A-013  | 1    | Ignition Coil ASM (No. 1)        |  |  |  |  |
| ❷   | 30509-Z0A-000  | 2    | Collar-Coil, Ignition            |  |  |  |  |
| ❸   | 30550-Z0A-013  | 1    | Ignition Coil ASM (No. 2)        |  |  |  |  |
| ❻   | 31630-Z0A-811  | 1    | Charge Coil ASM (12V-12A)        |  |  |  |  |
| ❷   | 31740-Z0A-003  | 1    | Engine Stop Diode ASM            |  |  |  |  |
| ❹   | 32768-PJ7-000  | 1    | Clamp-Wire, Center               |  |  |  |  |
| ❺   | 90013-883-000  | 2    | Bolt-Flange (6X12) (C T200)      |  |  |  |  |
| ❻   | 95701-06028-00 | 1    | Bolt-Flange (6X28)               |  |  |  |  |
| ❽   | 90016-ZE8-000  | 1    | Bolt-Flange (6X45) (C T200)      |  |  |  |  |
| ❾   | 95701-06032-00 | 4    | Bolt-Flange (6X32)               |  |  |  |  |
| ❿   | 90136-428-870  | 1    | Washer-Setting, Tank             |  |  |  |  |
| ⓫   | 90654-SA4-003  | 1    | Clip-Harness, Wire (6Mm) (White) |  |  |  |  |
| ⓬   | 90659-PG6-000  | 1    | Clip-Harness, Wire               |  |  |  |  |



## Starter Motor Assembly Honda GXV530 EXA2LB

| Ref | Part No.      | Qty. | Description            |
|-----|---------------|------|------------------------|
| ❶   | 30201-PH9-004 | 1    | Ring-Snap (Denso)      |
| ❷   | 30202-PZ1-003 | 1    | Clutch Stop Collar Set |
| ❸   | 31200-Z0A-003 | 1    | Starter Motor ASM      |
| ❹   | 31203-PH9-004 | 1    | Lever-Drive, Pinion    |
| ❺   | 31204-ZG4-801 | 1    | Magnetic Switch ASM    |
| ❻   | 31207-Z0A-003 | 1    | Clutch-Overrunning     |
| ❼   | 31208-Z0A-003 | 1    | Housing-Drive Side     |
| ❽   | 31209-PH9-004 | 1    | Bearing (A)            |
| ❾   | 31210-PH9-004 | 1    | Bearing (B)            |
| ❿   | 31211-PH9-004 | 4    | Brush                  |
| ⓫   | 31212-PH9-004 | 4    | Spring-Brush           |
| ⓬   | 31214-PH9-004 | 2    | Bolt-Through           |
| ⓭   | 31217-Z0A-003 | 1    | Armature               |

| Ref | Part No.       | Qty. | Description             |
|-----|----------------|------|-------------------------|
| ⓮   | 31218-P64-N01  | 1    | Yoke                    |
| ⓯   | 31219-Z0A-003  | 1    | Frame-End, Commutator   |
| ⓰   | 31220-PH9-004  | 1    | Nut-Hex (8Mm)           |
| ⓱   | 31223-PA0-006  | 2    | Nut-Flange (5Mm)        |
| ⓲   | 31231-PH9-004  | 1    | Holder-Brush            |
| ⓳   | 31233-PH9-004  | 1    | Insulator-Holder, Brush |
| ⓴   | 95701-10040-00 | 2    | Bolt-Flange (10X40)     |

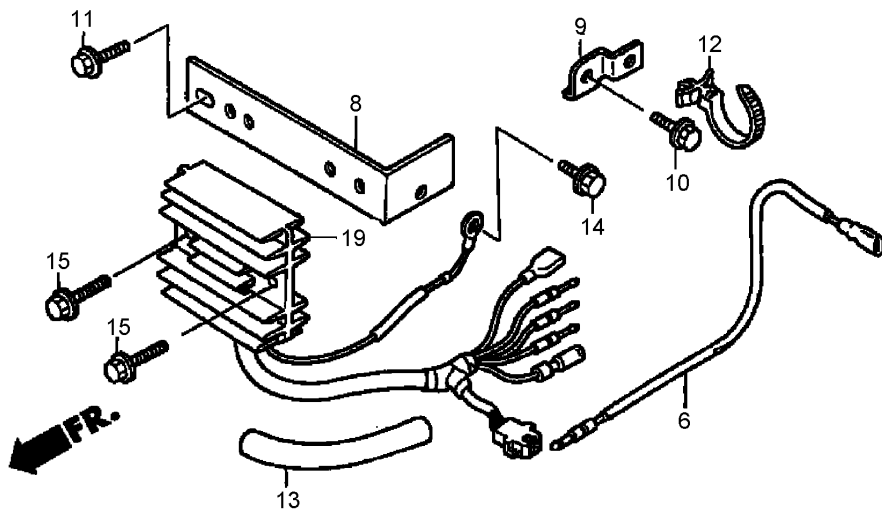


## Control Assembly Honda GXV530 EXA2LB

| Ref | Part No.      | Qty. | Description                                      |
|-----|---------------|------|--|
| ❶   | 16263-ZJ7-871 | 3    | Rod-Joint  |
| ❷   | 16268-Z0A-300 | 1    | Spring-Return, Choke                             |
| ❸   | 16500-Z0A-000 | 1    | Control ASM (1-Lever)                            |
| ❺   | 16534-Z0A-000 | 1    | Spring-Starter (Up To Engine Serial No. 1014986) |
| ❺   | 16534-Z0P-V00 | 1    | Spring-Starter (From Engine Serial No. 1038646)  |
| ❻   | 16542-Z0A-000 | 1    | Fork-Governor                                    |
| ❼   | 16550-Z0A-000 | 1    | Arm-Governor                                     |
| ❸   | 16555-Z0A-000 | 1    | Rod-Governor                                     |
| ❹   | 16561-Z0A-000 | 1    | Spring-Governor                                  |
| ❶   | 16565-Z0A-000 | 1    | Link-Governor                                    |
| ❶   | 16566-Z0A-000 | 1    | Rod-Link, Governor                               |
| ❸   | 16576-891-000 | 2    | Holder-Cable                                     |
| ❷   | 16584-883-300 | 1    | Spring-Adjusting, Control                        |

| Ref | Part No.       | Qty. | Description                |
|-----|----------------|------|----------------------------|
| ❶   | 90002-892-000  | 2    | Bolt-Flange (5X10)         |
| ❶   | 90015-Z0A-000  | 1    | Bolt-Flange (6Mm) (C T200) |
| ❶   | 90016-ZG9-N30  | 1    | Screw-Recessed (5X25)      |
| ❶   | 90016-Z0A-V00  | 2    | Screw-Recessed (5X18)      |
| ❶   | 95701-06010-00 | 1    | Bolt-Flange (6X10)         |
| ❶   | 94101-06800    | 1    | Washer-Plain (6Mm)         |





## Regulator Rectifier and Sub-Wire Harness Assembly Honda GXV530 EXA2LB

| Ref | Part No.       | Qty. | Description                      |
|-----|----------------|------|----------------------------------|
| 6   | 32105-Z0A-000  | 1    | Sub-Wire Harness ASM             |
| 8   | 31758-Z0A-800  | 1    | Bracket-Regulator                |
| 9   | 35806-752-630  | 1    | Base-Clip                        |
| 10  | 90013-883-000  | 1    | Bolt-Flange (6X12) (C T200)      |
| 11  | 90014-952-000  | 2    | Bolt-Flange (6X14) (C T200)      |
| 12  | 90672-SB2-003  | 1    | Strap-Cable (105Mm) (N H1 Black) |
| 13  | 91406-ZB3-740  | 1    | Tube-Wire                        |
| 14  | 95701-06008-00 | 1    | Bolt-Flange (6X8)                |
| 15  | 95701-06020-00 | 2    | Bolt-Flange (6X20)               |
| 19  | 31750-Z0A-V01  | 1    | Regulator Rectifier ASM          |

|  |  |  |  |
|--|--|--|--|
|  |  |  |  |
|--|--|--|--|



# Attachments and Accessories

## For 81250 - Precision Z350 HLX Riding Mower

| Product Name               | Model/Part |
|----------------------------|------------|
| Tire Chain Kit .....       | 105-1855   |
| 44 Inch Mulching Kit ..... | 108-7195   |
| 44 Inch Vac-Bagger .....   | 62570      |
| 48 Inch Snow Blade .....   | 63600      |

