



## 16-42Z TimeCutter™ Z Riding Mower

Model No. 74325 - 240000001 and up.

### Parts Catalog

---

#### **Ordering Replacement Parts**

To order replacement parts, please supply the part number, the quantity, and the description of each part desired.

#### **Understanding Reference Numbers**

Each identified part in an illustration has a reference number. The reference number for a part also appears in the parts list, along with other information about the part.

This catalog uses two special reference number formats, one to indicate parts in a service assembly and another to indicate the quantity of a given part in an illustration.

#### **Service Assembly Reference Numbers**

Parts in service assemblies have reference numbers in the form a:b. The a represents the reference number of the entire service assembly and the b represents a sequential number unique to each part within the service assembly.

For example, a wheel assembly might be identified by reference number 6, the tire by 6:1, the valve by 6:2, and the wheel by 6:3. When you order the assembly identified by reference number 6, you receive all parts identified by reference numbers 6:1, 6:2, and 6:3. However, you may also order any part individually. Reference numbers of this type appear in illustrations and in part lists.

#### **Reference Numbers Indicating Quantity**

In an illustration, if a reference number indicates more than one part, the reference number has the form nX y. The n represents the quantity of the part, the X is the multiplication symbol, and the y represents the reference number.

For example, in an illustration, the reference number 2X 37 means that two of the parts identified by reference number 37 are indicated.

# Contents

Description	Page	Description	Page
Frame Assembly	3	Crankcase Assembly Briggs and Stratton 286H77-0165-E1	19
Control Assembly	5	Oil Filter, Tube and Pump Assembly Briggs and Stratton 286H77-0165-E1	20
Hydro and Belt Drive Assembly	6	Carburetor Assembly Briggs and Stratton 286H77-0165-E1	21
RH Hydrostat Assembly Part No. 107-2466	7	Governor Assembly Briggs and Stratton 286H77-0165-E1	22
LH Hydrostat Assembly Part No. 107-2465	9	Blower Housing Assembly Briggs and Stratton 286H77-0165-E1	23
Engine Assembly	11	Starter Assembly Briggs and Stratton 286H77- 0165-E1	24
42in Deck Spindle and Belt Drive Assembly	13	Gasket Assembly Briggs and Stratton 286H77- 0165-E1	25
42in Deck Assembly	14	Carburetor Overhaul Kit Assembly Briggs and Stratton 286H77-0165-E1	26
Electrical Assembly	15		
Cylinder Assembly Briggs and Stratton 286H77-0165-E1	16		
Cylinder Head Assembly Briggs and Stratton 286H77-0165-E1	17		
Crankshaft Assembly Briggs and Stratton 286H77-0165-E1	18		

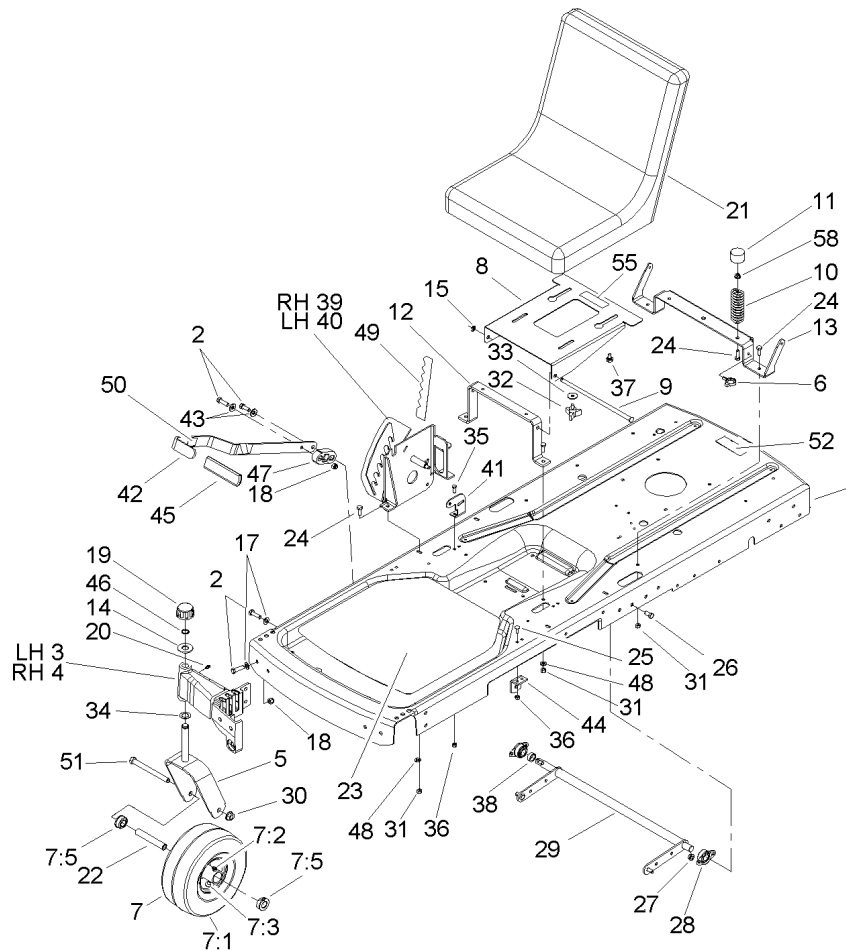
## Part Description Abbreviations

Part descriptions in this catalog may include the following abbreviations.

AR. . . . . as required	HYD. . . . . hydraulic
ASM. . . . . assembly	LH. . . . . left hand
BBC. . . . . blade brake clutch	NI. . . . . nylon insert
CARR. . . . . carriage	NPTF. . . . . national pipe thread fine
DEG. . . . . degrees	PFH. . . . . phillips flat head
EXT. . . . . external	PPH. . . . . phillips pan head
FH. . . . . flat head	PPHTF. . . . . phillips pan head thread forming
GA. . . . . gauge	PRH. . . . . phillips round head
HD. . . . . heavy-duty	PTH. . . . . phillips truss head
HF. . . . . hex flange	PTO. . . . . power-take-off
HH. . . . . hex head	RH. . . . . right hand
HHF. . . . . hex head flange	ROPS. . . . . roll-over protection system
HHFTF. . . . . hex head flange thread forming	SFH. . . . . slotted fillister head
HJ. . . . . hex jam	SHH. . . . . slotted hex head
HLH. . . . . hex lag head	SHWH. . . . . slotted hex washer head
HOC. . . . . height-of-cut	SPH. . . . . slotted pan head
HSBH. . . . . hex socket button head	SQH. . . . . square head
HSFH. . . . . hex socket flat head	SRH. . . . . slotted round head
HSH. . . . . hex socket head	STD. . . . . standard
HWH. . . . . hex washer head	TAP. . . . . self tapping
HWHTF. . . . . hex washer head thread forming	TTH. . . . . torx truss head

## Footnotes

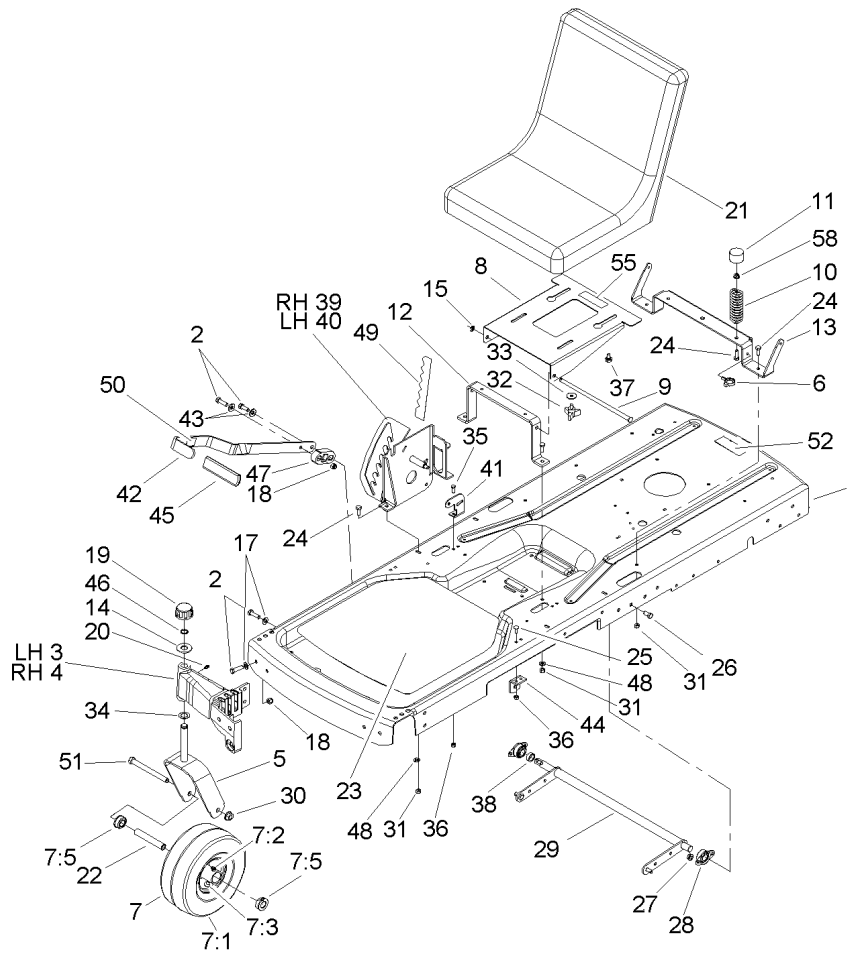
- |   |   |
|---|---|
| ❶ Not illustrated                                 | ❷ Not serviced separately                     |
| ❸ Included in Engine Gasket Set-Ref. 358.         | ❹ Included in Valve Gasket Set-Ref. 1095.     |
| ❺ Included in Carburetor Overhaul Kit-Ref. 121.   | ❻ Included in Carburetor Gasket Set-Ref. 977. |
| ❼ Obtain from your local Briggs & Stratton dealer |   |



## Frame Assembly

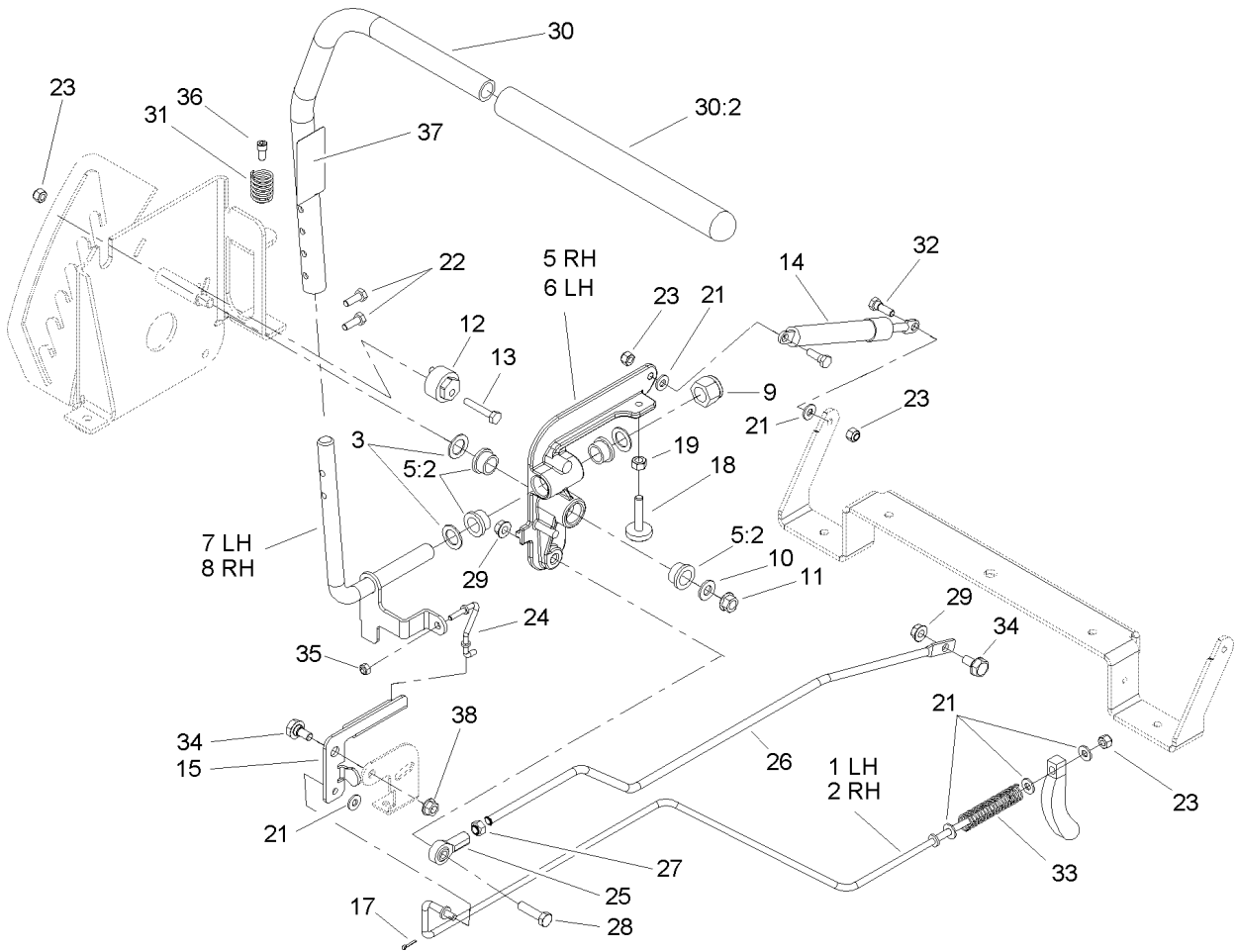
Ref	Part No.	Qty.	Description
1	107-1744-01	1	Frame
2	323-18	10	Screw-HH
3	105-6986-01	1	Caster-LH
4	105-6985-01	1	Castor-RH
5	106-2196-01	2	Caster Fork ASM
6	105-1853	1	Clamp-Hose
7	105-3471	2	Front Wheel And Tire ASM
7:1	105-1943	1	Tire
7:2	302-11	1	Fitting-Lube, 45 DEG
7:3	232-27	1	Stem-Valve
7:5	114-1640	2	Bushing-Flange
7:99	93-4244	1	Tube-Inner (W/Valve)
8	105-6953-03	1	Bracket-Seat
9	105-6955	1	Pin-Pivot
10	92-7054	2	Spring-Compression
11	701178	2	Cap-Protector
12	105-6954-03	1	Brace-Seat, Front
13	106-2210-03	1	Brace-Seat, Rear
14	28-2480	2	Washer
15	105-7004	1	E-Ring
17	3256-24	8	Washer-Flat
18	3296-39	9	Nut-Lock, NI
19	61-9780	2	Cap-Hub
20	302-5	2	Fitting-Grease

Ref	Part No.	Qty.	Description
21	105-6962	1	Seat
22	104-3667	2	Spanner-Wheel
23	105-3460	1	Pad-Antiskid
24	322-4	14	Screw-HH
25	3229-1	4	Screw-CARR
26	323-4	4	Screw-HH
27	3290-357	4	Nut-HHF, Whiz
28	1-633102	2	Bearing-Flange, Side
29	105-3499-03	1	Lift Arm ASM
30	32128-23	2	Nut-HF
31	3296-29	12	Nut-Lock, NI
32	92-9674	2	Knob
33	5-4460	2	Washer-Pivot
34	3-6498	2	Washer-Thrust
35	321-4	4	Screw-HH
36	3296-42	8	Nut-Lock, NI
37	37-8770	2	Bolt-Shoulder
38	106-2222	1	Spacer
39	106-2158-03	1	RH Plate ASM
40	106-2159-03	1	LH Plate ASM
41	106-2180	2	Bracket-Bellcrank
42	105-3435-03	1	Lever-Lift
43	98-5975	2	Washer-Belleville
44	105-3439	2	Bracket-Lift



### Frame Assembly (continued)

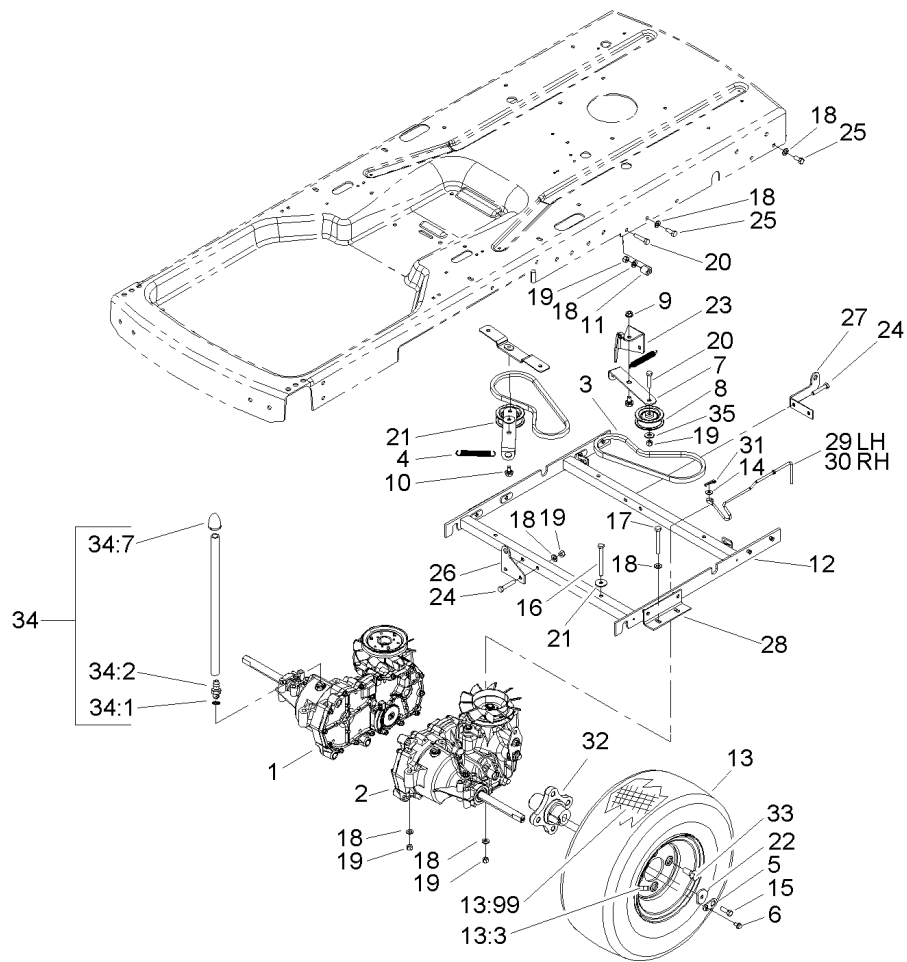
Ref	Part No.	Qty.	Description
45	105-3450	1	Grip-Lever, Lift
46	32151-103	2	Ring-Snap
47	106-2211	1	Block-Lift
48	3256-23	6	Washer-Flat
49	106-2223	1	Decal-HOC
50	106-8743	1	Decal
51	325-22	2	Screw-HH
52	106-7026	1	Decal-Transport
55	106-8716	1	Decal-Services
58	32128-25	2	Nut-HF



## Control Assembly

Ref	Part No.	Qty.	Description
1	105-7045	1	Rod-Brake, LH
❶2	105-7044	1	Rod-Brake, RH
3	105-3481	6	Washer-Thrust
5	106-8671	1	RH Actuator Arm W/Bushing ASM
5:2	105-3455	4	Bushing
❶6	106-8672	1	LH Actuator Arm W/Bushing ASM
❶6:2	105-3455	4	Bushing
7	105-3488	1	LH Pivot Shaft ASM
❶8	105-3487	1	RH Pivot Shaft ASM
9	3296-53	2	Nut-Lock, NI
10	3256-24	2	Washer-Flat
11	3296-59	2	Nut-Lock, NI
12	105-3485	2	Bushing-Eccentric
13	321-9	2	Screw-HH
14	103-2913	2	Damper-Control, Motion
15	106-2181	2	Bellcrank
17	3272-5	2	Pin-Cotter
18	105-3486	2	Stop-Adjustment
19	3217-6	2	Nut-Hex
21	3256-22	12	Washer-Flat
22	321-4	4	Screw-HH
23	3296-42	8	Nut-Lock, NI
24	106-2179	2	Link-Brake
25	1-543017	2	Balljoint-RH

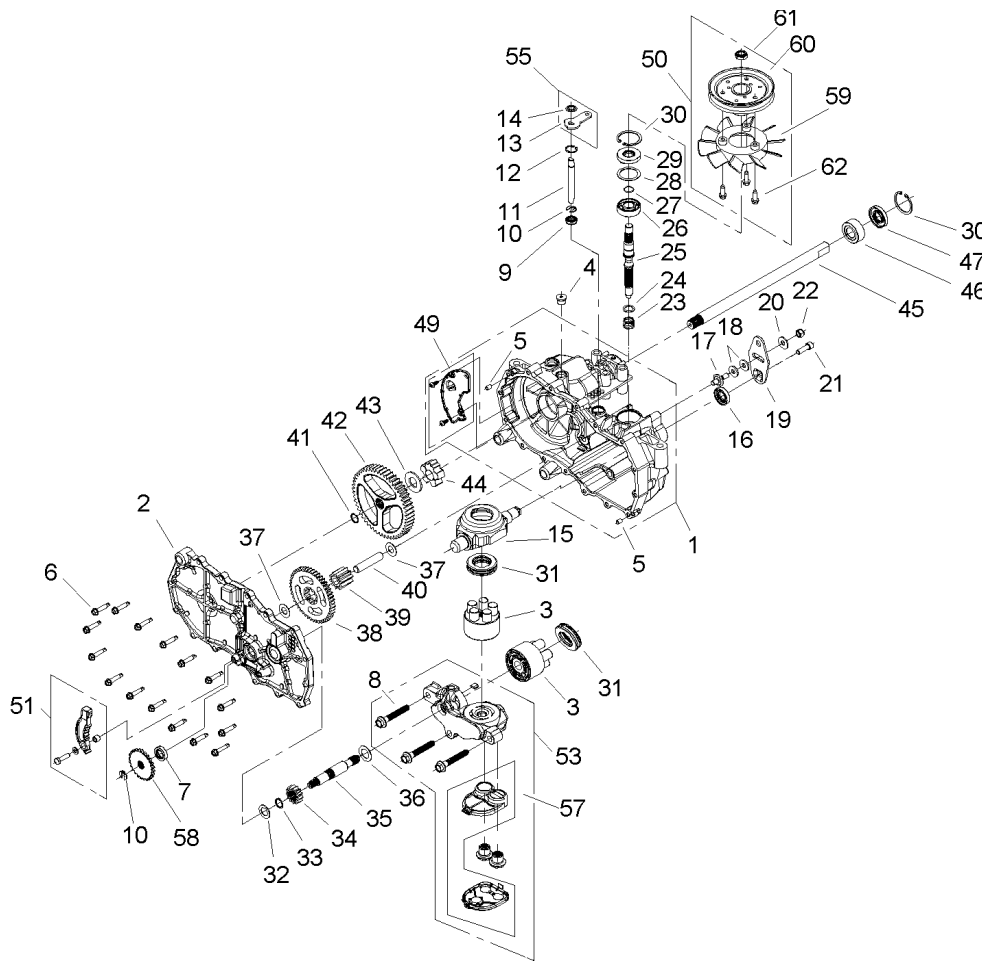
Ref	Part No.	Qty.	Description
26	105-7048	2	Rod-Hydro
27	3219-2	2	Nut-Hex
28	322-6	2	Screw-HH
29	32128-20	4	Nut-HF
30	106-2242	2	Handle ASM
30:2	1-633257	1	Grip-Control, Motion
31	105-3469	2	Spring-Compression
32	106-2214	4	Bolt-Shoulder
33	105-3465	2	Spring-Compression
34	37-8771	4	Bolt-Shoulder
35	3296-2	2	Nut-Lock
36	3274-52	2	Screw-HSH
37	106-8742	2	Decal
38	32128-25	2	Nut-HF



## Hydro and Belt Drive Assembly

Ref	Part No.	Qty.	Description
1	107-2466	1	RH Hydrostat ASM
2	107-2465	1	LH Hydrostat ASM
3	106-2174	2	V-Belt
4	95-3805	2	Spring
5	105-3438	2	Tab-Locking
6	3234-13	2	Screw-HHF
7	105-7047	2	Arm-Idler
8	106-2176	2	Pulley-Idler
9	32128-25	1	Nut-HF
10	37-8770	2	Bolt-Shoulder
11	105-1941	2	Spacer
12	107-2462-03	1	Hydro Mount ASM
13	106-7004	2	Wheel And Tire ASM
13:3	232-27	1	Stem-Valve
13:99	107-2491	1	Tube-Tire
14	3256-1	2	Washer-Flat
15	3210-5	2	Screw-HH
16	322-20	4	Screw-HH
17	322-13	4	Screw-HH
18	3256-23	24	Washer-Flat
19	3296-29	16	Nut-Lock, NI
20	322-7	4	Screw-HH
21	5-4460	5	Washer-Pivot
22	106-7001	2	Washer-Wheel

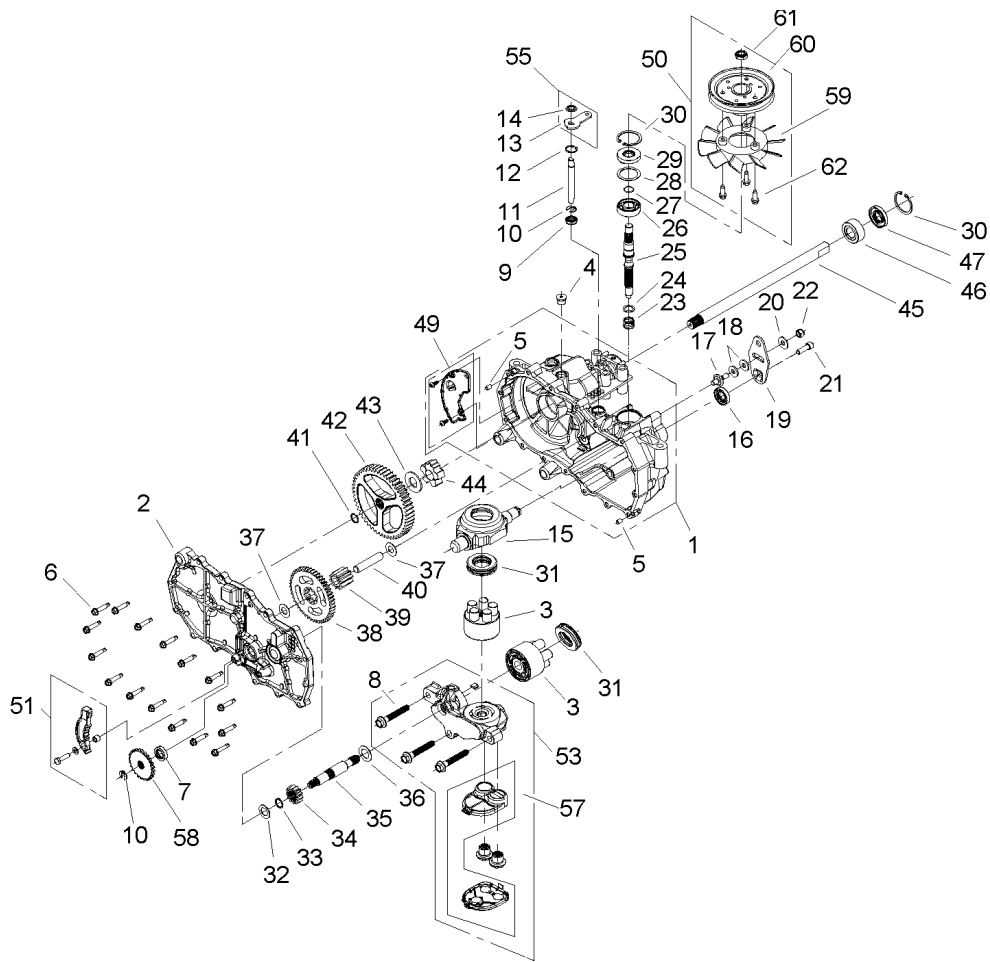
Ref	Part No.	Qty.	Description
23	107-1734	1	Stop-Clutch
24	322-9	4	Screw-HH
25	322-4	8	Screw-HH
26	105-7049	1	Bracket-Spring
27	105-7046	1	Bracket-Spring
28	105-7039-03	2	Support-Hydro
29	107-2463	1	Arm-Bypass, LH
30	107-2464	1	Arm-Bypass, RH
31	1-806003	2	Pin-Hair
32	106-6987-03	2	Hub-Machined
33	71-4450	8	Bolt-Lug
34	106-7002	2	Vent Hose ASM
34:1	93-3816	1	O-Ring
34:2	93-3814	1	Fitting-Hose
34:7	107-1701	1	Cap Vent ASM
35	3256-3	2	Washer-Flat



## RH Hydrostat Assembly Part No. 107-2466

Ref	Part No.	Qty.	Description
1	106-8674	1	LH Main Housing ASM
2	106-8675	1	LH Side ASM
3	104-2106	2	Cylinder Block ASM
4	104-2189	1	Plug-Thread, Straight
5	9004800-2506	2	Pin-Hydrogear
6	104-5305	16	Screw-HHF
7	104-5347	1	Seal-Oil
8	94-6926	3	Bolt
9	106-8676	1	Seal-Lip
10	106-8677	2	Ring-Retaining, EXT
11	106-8678	1	Rod-Bypass
12	106-8679	1	Ring-Retaining, Int
13	107-2490	1	Arm-Bypass
14	106-8681	1	Ring-Retaining, EXT
15	104-5304	1	Swashplate-Trunnion
16	104-5313	1	Seal-Lip
17	104-2116	1	Stud
18	105-1873	2	Puck-Friction
19	106-8747	1	Arm-Control
20	5-4460	1	Washer-Pivot
21	107-2488	1	Screw
22	105-1872	1	Nut
23	94-1936	1	Spring-Block

Ref	Part No.	Qty.	Description
24	94-1937	1	Washer-Block, Thrust
25	104-5306	1	Shaft-Input
26	104-5311	1	Bearing-Ball
27	104-5307	1	Ring-Retaining
28	104-5308	1	Spacer
29	104-5310	1	Seal-Lip
30	104-5309	2	Ring-Retaining
31	94-6922	2	Bearing-Thrust
32	104-5339	1	Washer-Flat
33	104-5340	1	Ring-Retaining
34	104-5316	1	Gear-Pinnion, 13T
35	106-8683	1	Shaft-Motor
36	104-5360	1	Washer-Shaft, Motor
37	94-1933	2	Washer
38	104-5317	1	Gear
39	104-5318	1	Gear-Jackshaft, 10T
40	104-5329	1	Pin-Jackshaft
41	104-5328	1	Ring-Retaining, Spiral
42	106-8684	1	Gear-Bull, 52T
43	94-1943	1	Washer
44	104-5320	1	Bearing-Sleeve
45	106-8685	1	Axle
46	104-5321	1	Bearing-Sleeve, Outboard
47	104-5322	1	Seal-Lip

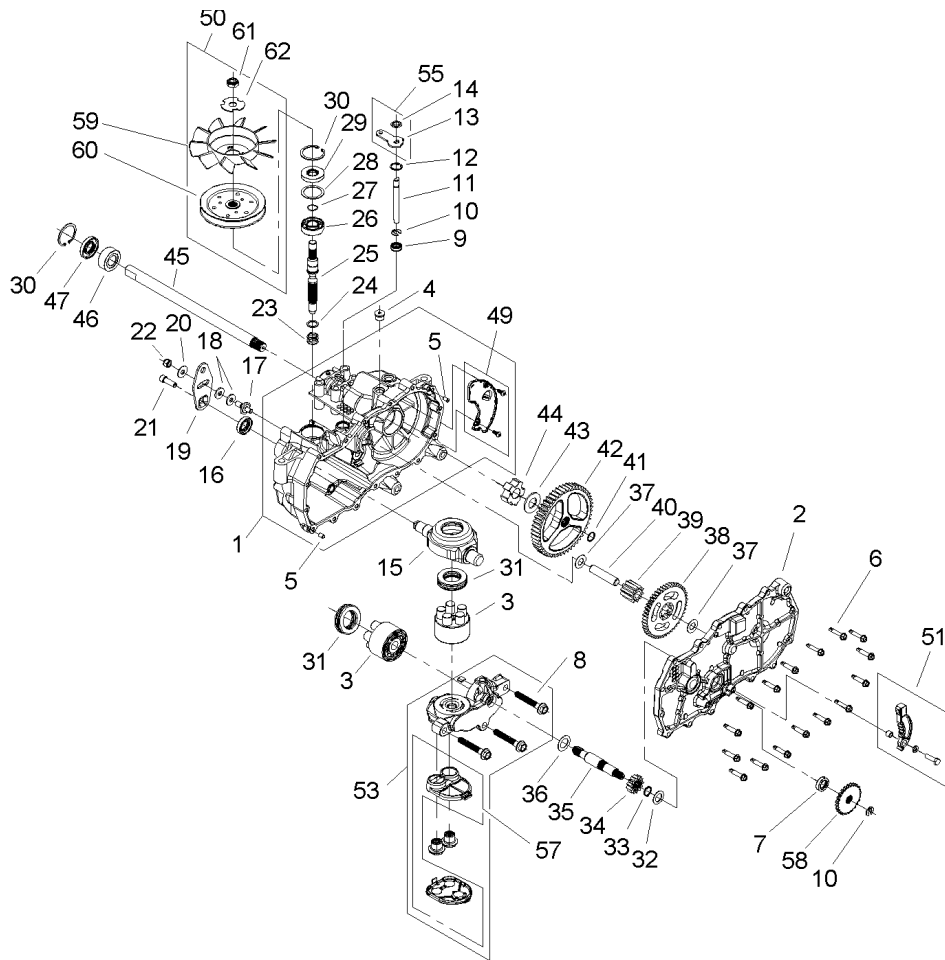


## RH Hydrostat Assembly Part No. 107-2466 (continued)

Ref	Part No.	Qty.	Description
●48	106-8686	1	Seal Kit
49	106-8687	1	LH Expansion Plate Kit
50	105-1928	1	Fan Pulley Kit
51	106-8688	1	Brake Arm Kit
53	106-8690	1	LH Center Section Filter Kit
●54	104-2147	1	Sealant
55	107-2489	1	Bypass Arm Kit
57	106-8693	1	Filter Kit
58	106-8694	1	Disc-Brake, Cog
59	105-1927	1	Fan
60	105-1896	1	Pulley
61	105-1875	1	Nut-Lock
62	104-2120	3	Screw

--	--	--	--

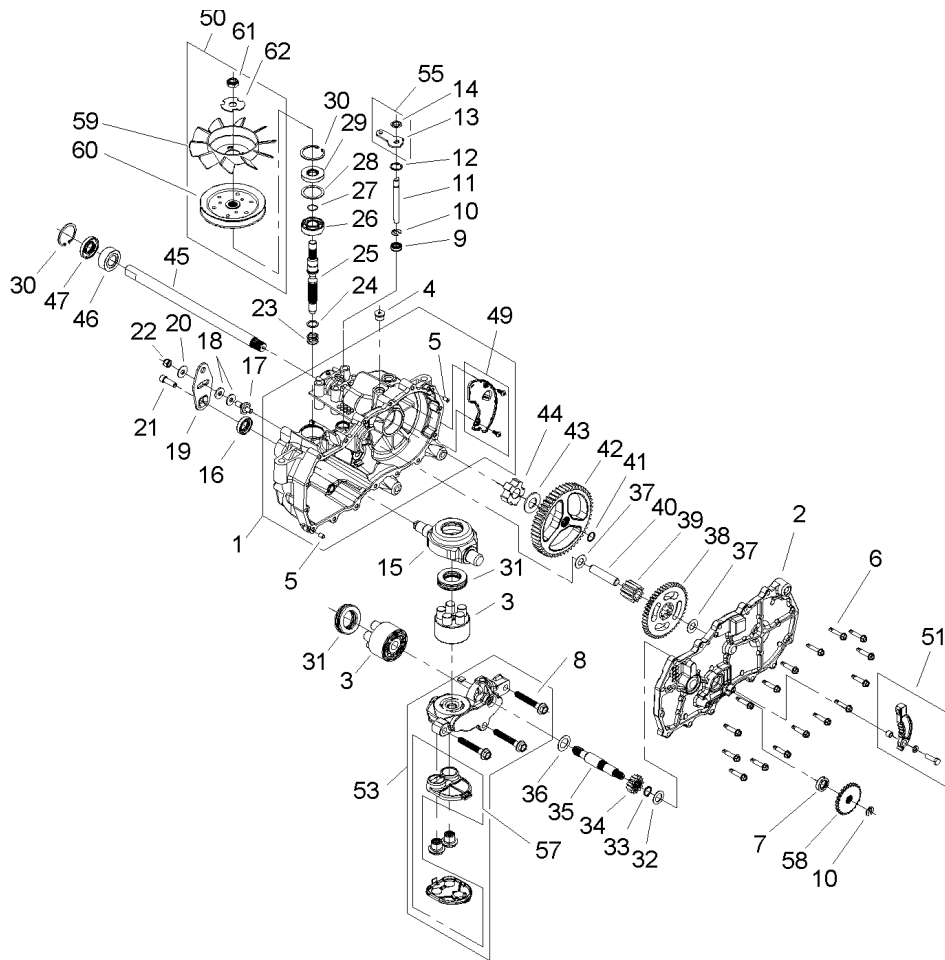




## LH Hydrostat Assembly Part No. 107-2465

Ref	Part No.	Qty.	Description
1	106-8695	1	RH Main Housing ASM
2	106-8696	1	RH Side ASM
3	104-2106	2	Cylinder Block ASM
4	104-2189	1	Plug-Thread, Straight
5	9004800-2506	2	Pin-Hydrogear
6	104-5305	16	Screw-HHF
7	104-5347	1	Seal-Oil
8	94-6926	3	Bolt
9	106-8676	1	Seal-Lip
10	106-8677	2	Ring-Retaining, EXT
11	106-8678	1	Rod-Bypass
12	106-8679	1	Ring-Retaining, Int
13	107-2490	1	Arm-Bypass
14	106-8681	1	Ring-Retaining, EXT
15	104-5304	1	Swashplate-Trunnion
16	104-5313	1	Seal-Lip
17	104-2116	1	Stud
18	105-1873	2	Puck-Friction
19	106-8747	1	Arm-Control
20	5-4460	1	Washer-Pivot
21	107-2488	1	Screw
22	105-1872	1	Nut
23	94-1936	1	Spring-Block

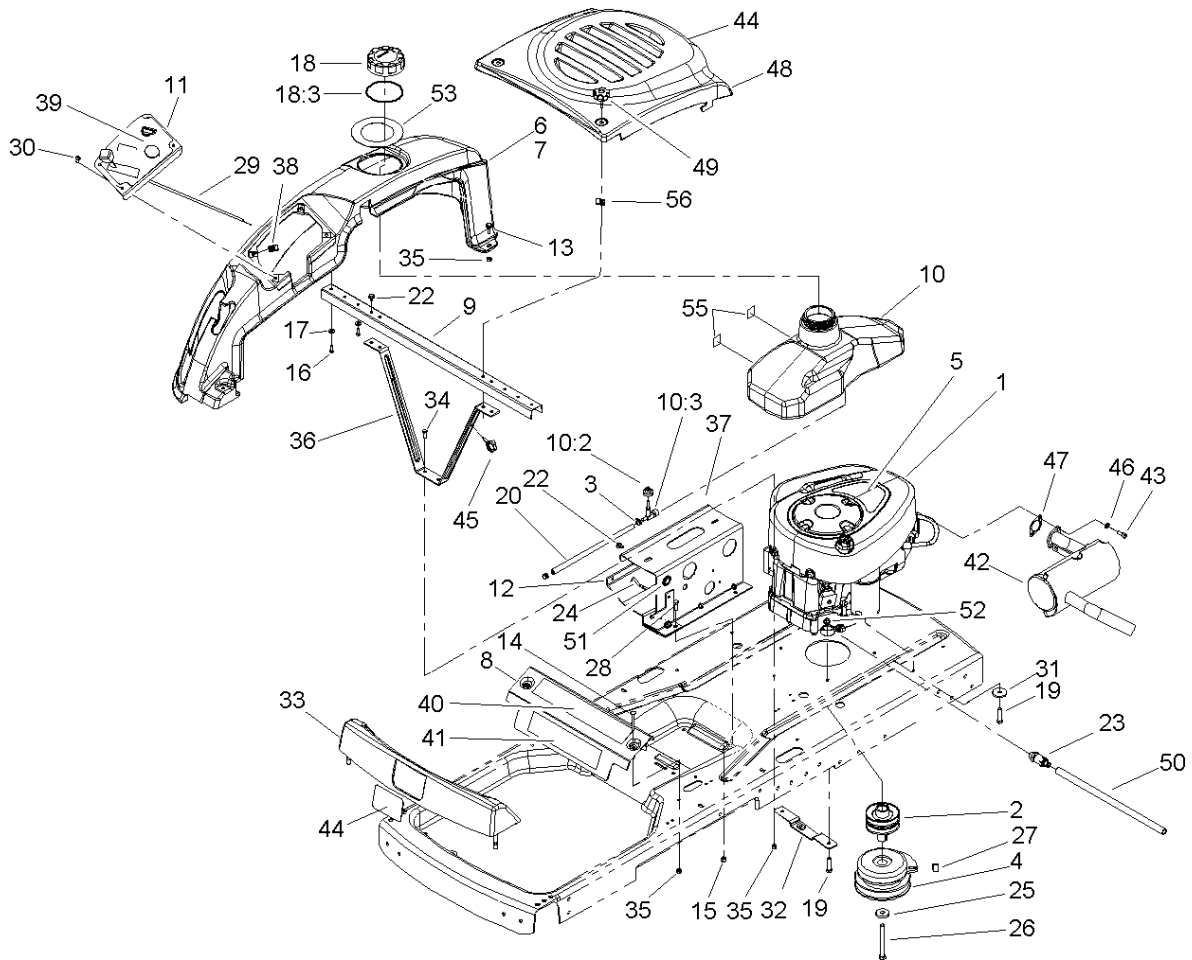
Ref	Part No.	Qty.	Description
24	94-1937	1	Washer-Block, Thrust
25	104-5306	1	Shaft-Input
26	104-5311	1	Bearing-Ball
27	104-5307	1	Ring-Retaining
28	104-5308	1	Spacer
29	104-5310	1	Seal-Lip
30	104-5309	2	Ring-Retaining
31	94-6922	2	Bearing-Thrust
32	104-5339	1	Washer-Flat
33	104-5340	1	Ring-Retaining
34	104-5316	1	Gear-Pinnion, 13T
35	106-8683	1	Shaft-Motor
36	104-5360	1	Washer-Shaft, Motor
37	94-1933	2	Washer
38	104-5317	1	Gear
39	104-5318	1	Gear-Jackshaft, 10T
40	104-5329	1	Pin-Jackshaft
41	104-5328	1	Ring-Retaining, Spiral
42	106-8684	1	Gear-Bull, 52T
43	94-1943	1	Washer
44	104-5320	1	Bearing-Sleeve
45	106-8685	1	Axle
46	104-5321	1	Bearing-Sleeve, Outboard
47	104-5322	1	Seal-Lip



### LH Hydrostat Assembly Part No. 107-2465 (continued)

Ref	Part No.	Qty.	Description
●48	106-8686	1	Seal Kit
49	106-8697	1	RH Expansion Plate Kit
50	106-8698	1	Fan Pulley Kit
51	106-8688	1	Brake Arm Kit
53	106-8699	1	RH Center Section Filter Kit
●54	104-2147	1	Sealant
55	107-2489	1	Bypass Arm Kit
57	106-8693	1	Filter Kit
58	106-8694	1	Disc-Brake, Cog
59	110-8566	1	Fan-6 Inch, 10 Blade
60	104-1754	1	Pulley
61	105-1875	1	Nut-Lock
62	107-9122	3	Washer-Slotted

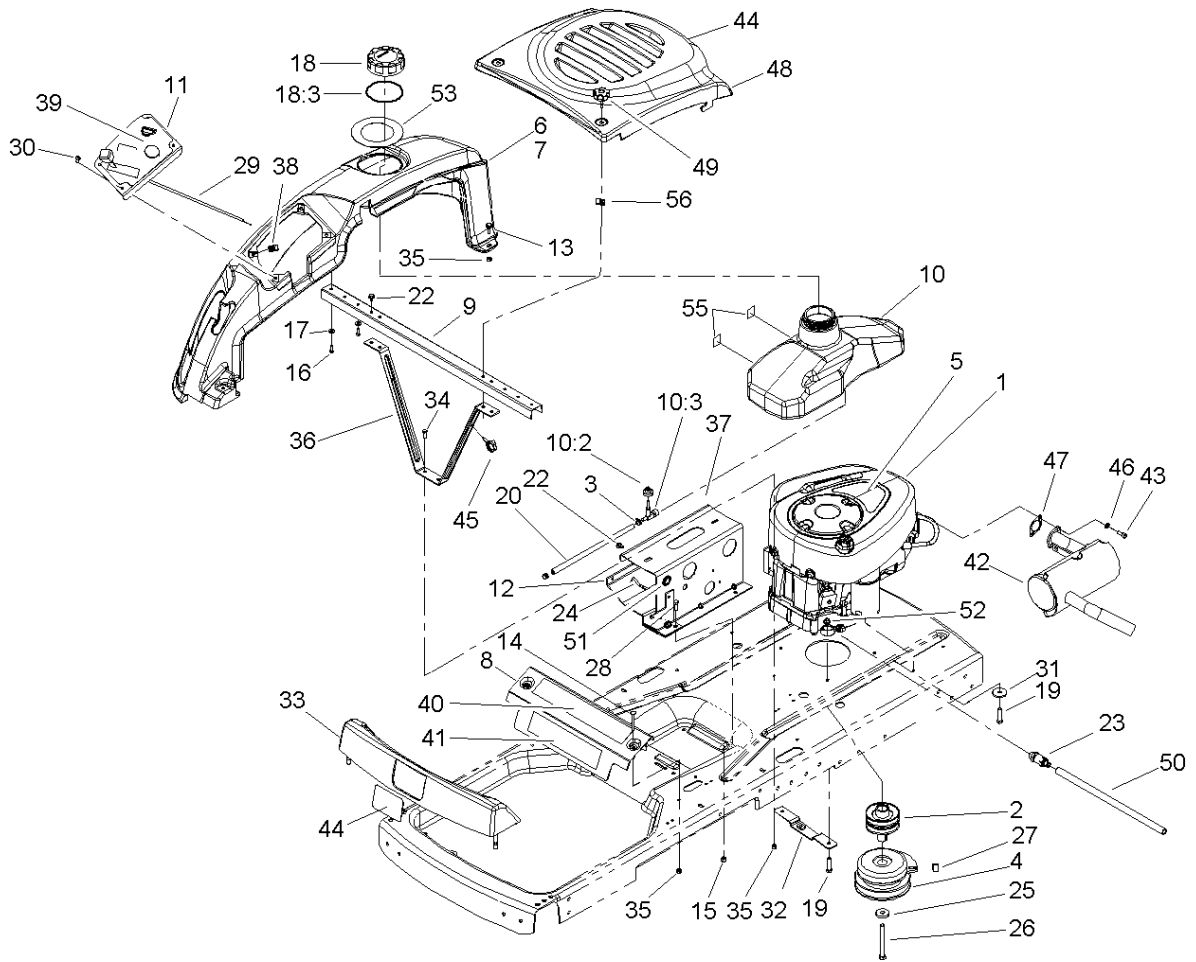
--	--	--	--



## Engine Assembly

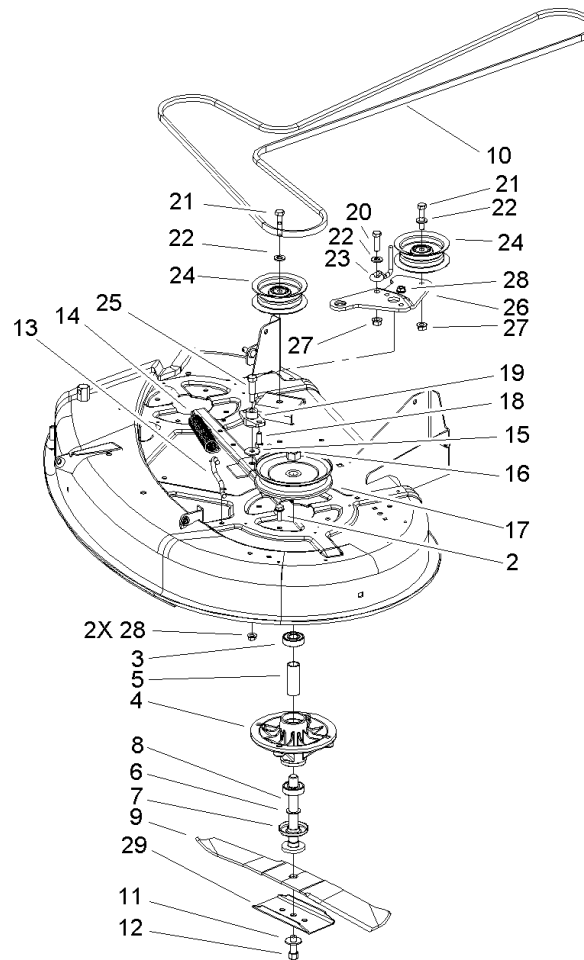
Ref	Part No.	Qty.	Description
①		1	Engine-Briggs And Stratton, 286H77-0165-E1
2	105-3472	1	Pulley-Engine
3	2412-98	2	Clamp
4	104-3334	1	Clutch-Electric
5	106-6409	1	Decal-Engine
6	106-2161	1	Cover-Side, RH
⑦	106-2162	1	Cover-Side, LH
8	106-2164-03	1	Bracket-Support, Front
9	106-2165-03	1	Bracket-Support, Rear
10	105-3464	1	Gas Tank ASM
10:2	46-6560	1	Bushing
10:3	104048	1	Valve-Fuel
11	106-2167-03	1	Panel-Control
12	105-3453-03	1	Plate-Support
13	11-9030	2	Screw-Shoulder
14	3229-7	2	Screw-CARR
15	3296-29	2	Nut-Lock, NI
16	46-8090	4	Screw-Plastite
17	3256-22	4	Washer-Flat
18	88-3980	1	Gas Cap ASM
18:3	88-4010	1	Gasket-Cap, Gas
19	322-7	4	Screw-HH
20	106-8720	1	Hose-Fuel

Ref	Part No.	Qty.	Description
22	46-8560	7	Screw-HHF
23	92-6877	1	Valve-Drain, Oil
24	609830	2	Spring
25	112843	1	Washer
26	3212-16	1	Screw-HH
27	98-5023	1	Bumper
28	322-4	2	Screw-HH
29	104-3626	1	Cable-Throttle
30	3258-166	4	Screw-PRH
31	62-7190	2	Spacer-Steel
32	106-2156	1	Plate-Mount, Idler
33	105-6965	1	Footrest ASM
34	321-4	2	Screw-HH
35	3296-42	6	Nut-Lock, NI
36	106-6994-03	1	Brace ASM
37	107-2485-03	1	Plate-Tank
38	107069	4	Clip
39	106-2224	1	Decal-Control
40	107-7398	1	Decal-Danger
41	106-6992	1	Decal
42	106-7007	1	Muffler
43	3274-10	2	Screw-HSH
44	105-6971	2	Decal
45	105-1853	2	Clamp-Hose



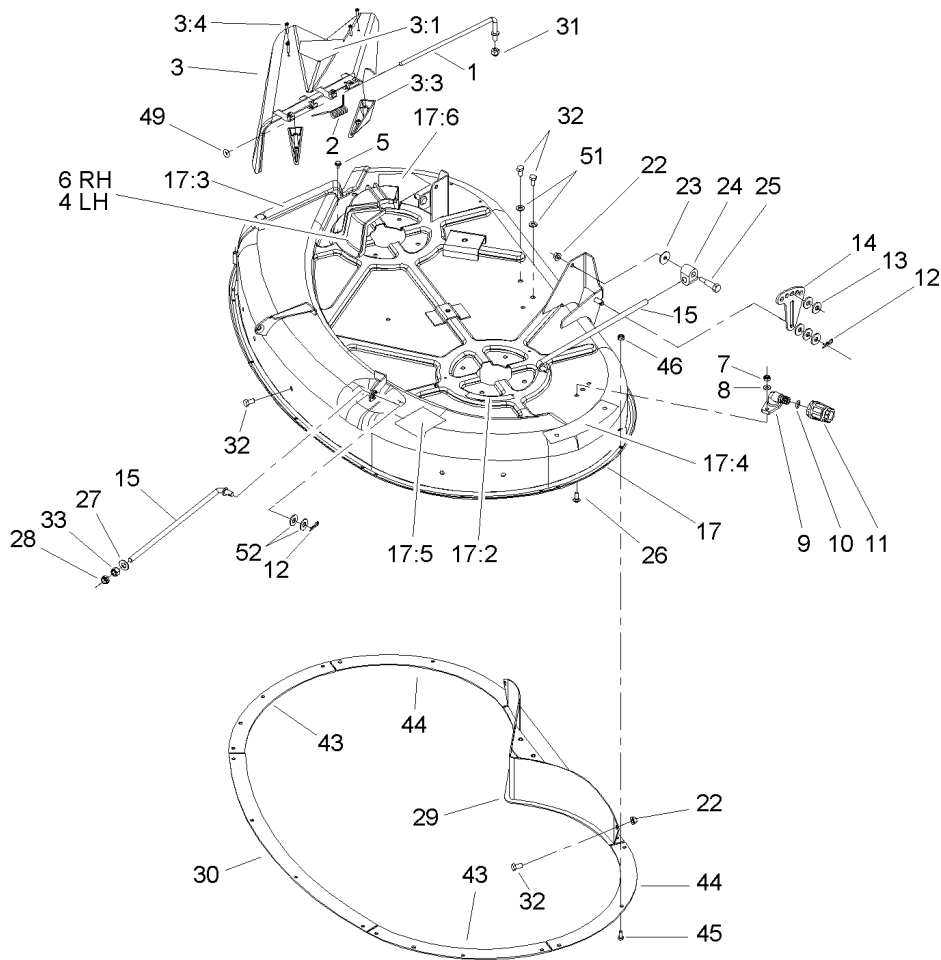
## Engine Assembly (continued)

Ref	Part No.	Qty.	Description	
46	3253-4	2	Washer-Lock	
47	88-4410	1	Gasket-Muffler	
48	106-2163	1	Cover-Hood	
49	106-7017	2	Knob	
50	106-7022	1	Tube-Drain, Oil	
51	237-124	1	Grommet	
52	32128-25	4	Nut-HF	
53	106-7042	1	Seal-Rubber	
55	104-2488	2	Foam-Switch, Seat	
56	106-8737	2	Nut-Retainer	



## 42in Deck Spindle and Belt Drive Assembly

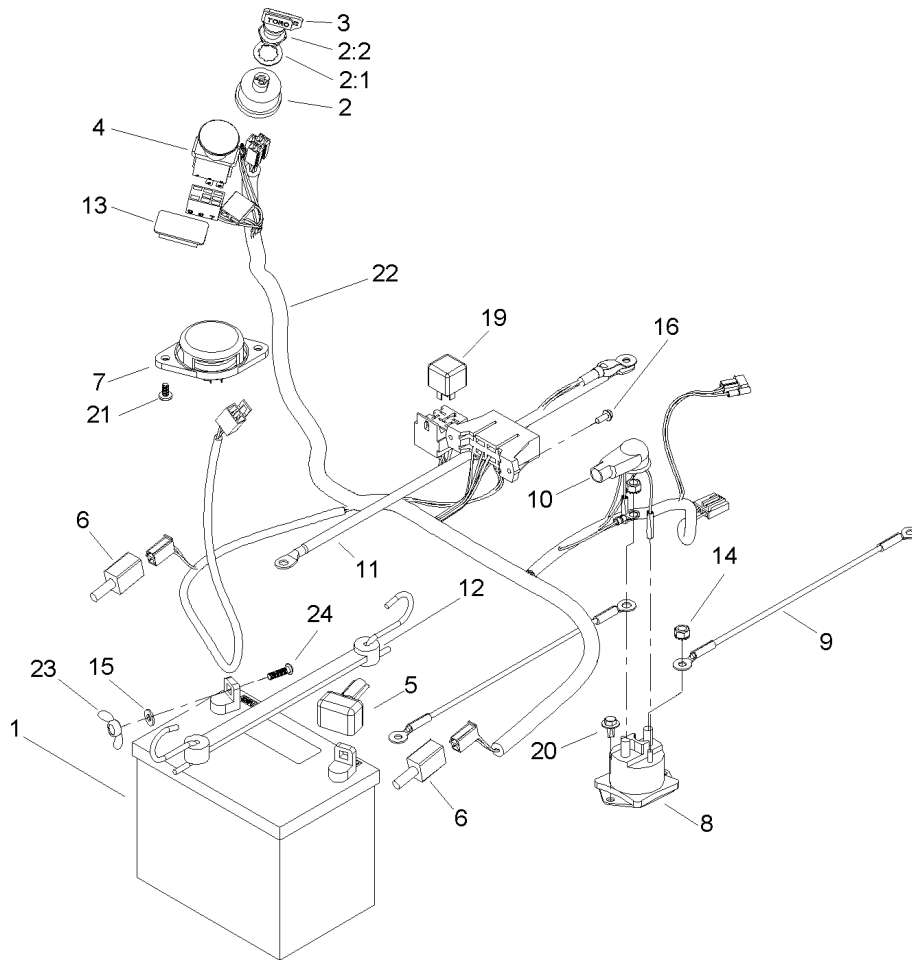
Ref	Part No.	Qty.	Description	Ref	Part No.	Qty.	Description
2	32144-41	8	Screw-Taptite	26	107-2467-03	1	Arm-Idler
3	100-1048	4	Bearing-Ball	27	32128-21	2	Nut-HF
4	88-4510	2	Housing-Spindle	28	32128-25	3	Nut-HF
5	62-3661	2	Spacer-Bearing	29	106-2248-03	2	Stiffener-Blade
6	80-4380	2	Spacer				
7	80-4360	2	Shield-Bearing				
8	80-4341	2	Shaft				
9	106-2247-03	2	Blade				
10	106-2173	1	Belt-V				
11	3290-465	2	Washer-Belleville				
12	26-0671	2	Screw-Blade				
13	88-5970	1	Hook-Return, Spring				
14	106-2177	1	Spring-Extension				
15	5-4460	1	Washer-Pivot				
16	3219-6	2	Nut-Hex				
17	88-5330	2	Pully-Deck				
18	322-4	2	Screw-HH				
19	88-4980	1	Bushing-Arm, Idler				
20	323-7	1	Screw-HH				
21	323-9	2	Screw-HH				
22	3256-24	3	Washer-Flat				
23	107-7307	1	Guide-Idler, Belt				
24	106-2175	2	Pulley-Idler, Flat				
25	7-0030	1	Bolt-Shoulder				



## 42in Deck Assembly

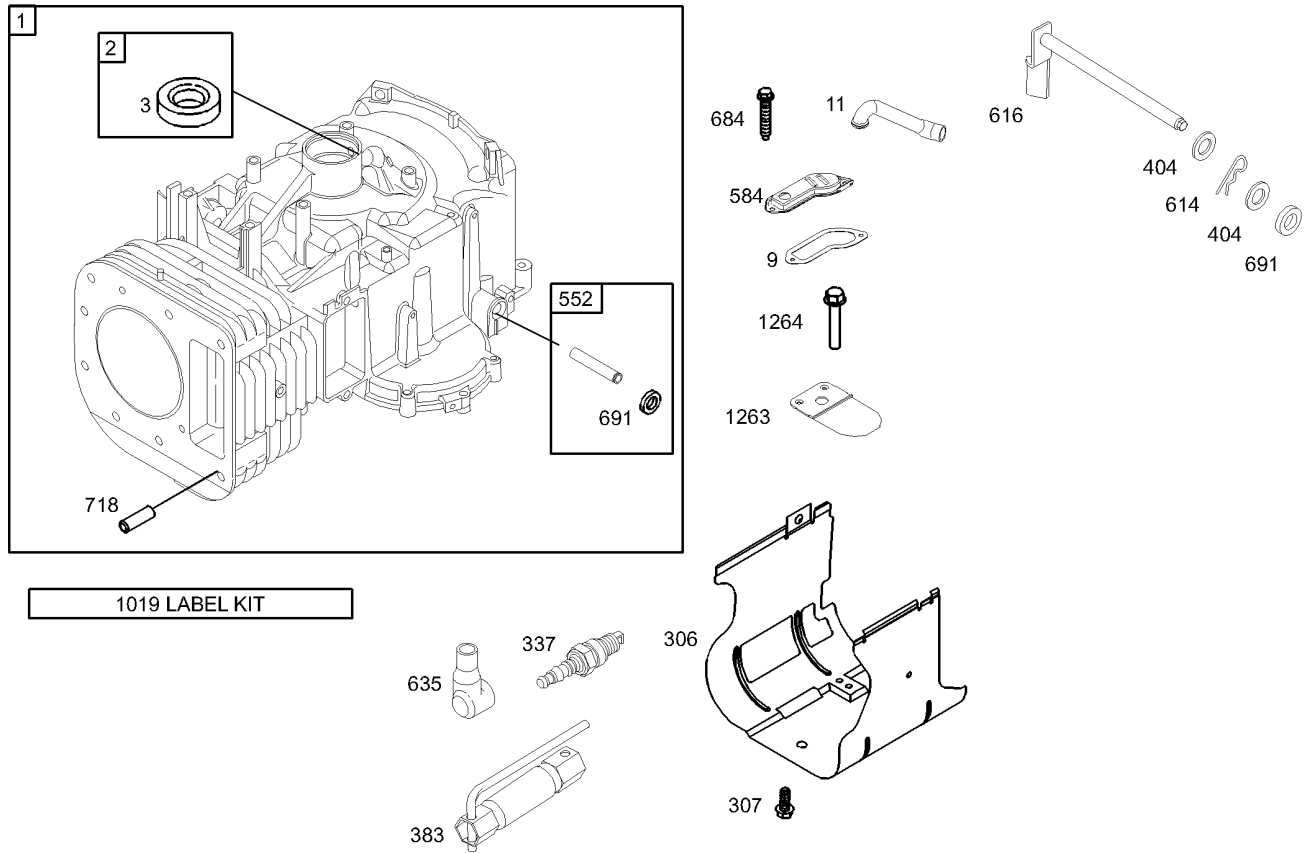
Ref	Part No.	Qty.	Description
1	95-1661	1	Rod-Pivot
2	57-6950	1	Spring
3	106-8739	1	42In Deflector ASM
3:1	93-1122	1	Decal-Danger
3:3	93-7696	2	Kicker
3:4	93-0231	4	Screw-PPH
4	88-4030	1	Guide-Belt, Deck (LH)
5	32104-76	5	Screw
6	88-4020	1	Guide-Belt, Deck (RH)
7	3296-16	2	Nut-Lock, NI
8	3256-1	2	Washer-Flat
9	95-2747	1	Fitting-Washout
10	46-6290	1	O-Ring
11	95-3270	1	Connector-Hose
12	9335054	8	Pin-Hair
13	80-6990	10	Washer-Hardened
14	88-5570-03	2	Link-Adjusting, HOC
15	105-3437	4	Rod-Hanger
17	106-8731	1	42In Deck ASM
17:2	68-3660	1	Decal-Danger, Shield
17:3	68-3650	1	Decal-Danger, Deflector
17:4	79-3140	1	Decal-Danger
17:5	105-7015	1	Decal-Routing, Belt
17:6	93-1122	1	Decal-Danger

Ref	Part No.	Qty.	Description
22	32128-25	4	Nut-HF
23	5-4460	2	Washer-Pivot
24	88-4230	2	Trunnion-HOC
25	7-0030	2	Bolt-Shoulder
26	3229-1	2	Screw-CARR
27	3256-25	2	Washer-Flat
28	3296-38	2	Nut-Lock, NI
29	106-6983-03	1	Rear Baffle ASM
30	106-6953-03	1	Ring-Blow Out
31	3296-39	1	Nut-Lock, NI
32	322-2	4	Screw-HH
33	3219-4	2	Nut-Hex
43	106-6952-03	2	Ring-Blow Out, Side
44	106-6954-03	2	Ring-Blow Out, Side
45	321-3	19	Screw-HH
46	3296-42	19	Nut-Lock, NI
49	106-8745	1	O-Ring
51	3256-23	2	Washer-Flat
52	3256-4	8	Washer-Flat



### Electrical Assembly

Ref	Part No.	Qty.	Description
1	104-2491	1	Battery-Dry
2	88-9830	1	Key Switch ASM
2:1	3254-5	1	Washer-Tooth
2:2	218-461	1	Nut-HH
3	63-8360	1	Key-Ignition
4	95-7489	1	Switch-PTO
5	28-8080	1	Boot-Terminal
6	106-2216	2	Switch
7	105-6959	1	Switch-Seat
8	106-8245	1	Solenoid
9	56-7670	2	Wire ASM
10	93-3190	1	Boot-Insulator, Terminal
11	95-7654	1	Cable
12	104-2466	1	Holddown-Battery
13	99-7420	1	Plug-Hole
14	32149-2	2	Nut-Keps
15	3256-22	2	Washer-Flat
16	32144-1	3	Screw-Taptite
19	98-7249	1	Relay
20	46-8560	2	Screw-HHF
21	105-6968	2	Screw-Seat, Switch
22	107-2500	1	Harness-Wire, 9 Amp
23	32103-22	2	Nut-Wing
24	3229-1	2	Screw-CARR

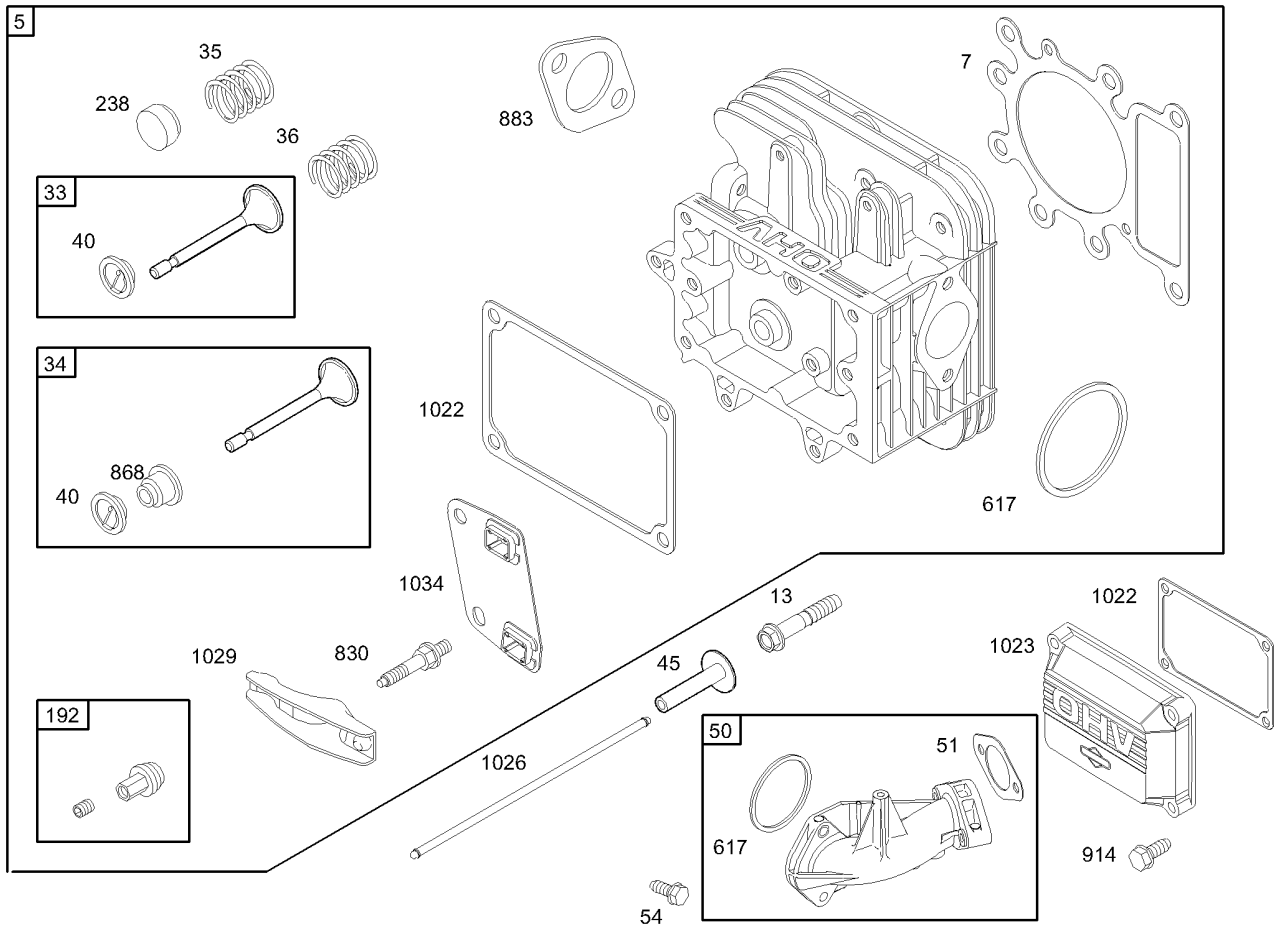



Assemblies include all parts shown in frames.

## Cylinder Assembly Briggs and Stratton 286H77-0165-E1

Ref	Part No.	Qty.	Description
1	697132	1	Cylinder ASM
2	399265	1	Bushing And Seal Kit
3	391086	1	Seal-Oil
9	697109	1	Gasket-Breather
11	697113	1	Tube-Breather
17	697762	1	Short Block ASM
306	697107	1	Shield-Cylinder
307	691003	1	Screw
337	691043	1	Spark Plug
383	89838	1	Wrench-Plug, Spark
404	691691	1	Washer
552	697144	1	Bushing-Crank, Governor
584	697112	1	Cover-Passage, Breather
614	691620	1	Pin-Cotter
616	692012	1	Crank-Governor
635	691909	1	Boot-Spark Plug
684	697157	1	Screw
691	692407	1	Seal-Shaft, Governor
718	690959	1	Pin-Locating
1019	697143	1	Label Kit
1263	697124	1	Reed-Breather
1264	697104	1	Screw

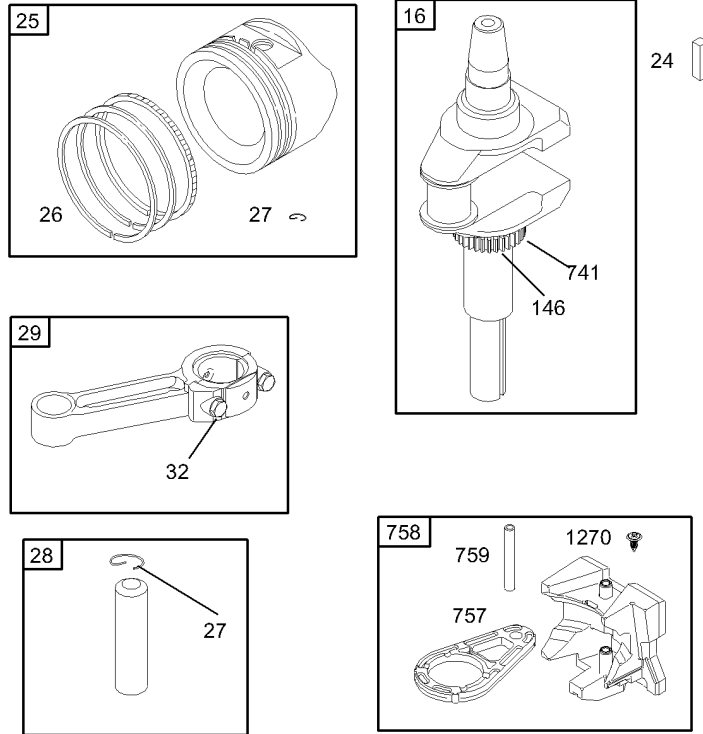


## Cylinder Head Assembly Briggs and Stratton 286H77-0165-E1

Ref	Part No.	Qty.	Description
75	698148	1	Head-Cylinder
77	273280	1	Gasket-Head, Cylinder
13	690360	1	Screw
33	695760	1	Valve-Exhaust
34	695761	1	Valve-Intake
35	691279	1	Spring-Valve
36	691279	1	Spring-Valve
40	691752	1	Retainer-Valve
45	690564	1	Tappet-Valve
50	690193	1	Manifold-Intake
51	692137	1	Gasket-Intake
54	691148	1	Screw
192	691986	1	Adjustor-Arm, Rocker
238	691843	1	Cap-Valve
617	692138	1	Seal-O Ring
830	691095	1	Stud-Arm, Rocker
868	690968	1	Seal-Valve
883	692236	1	Gasket-Exhaust
914	690960	1	Screw
1022	272475	1	Gasket-Cover, Rocker
1023	692492	1	Cover-Rocker

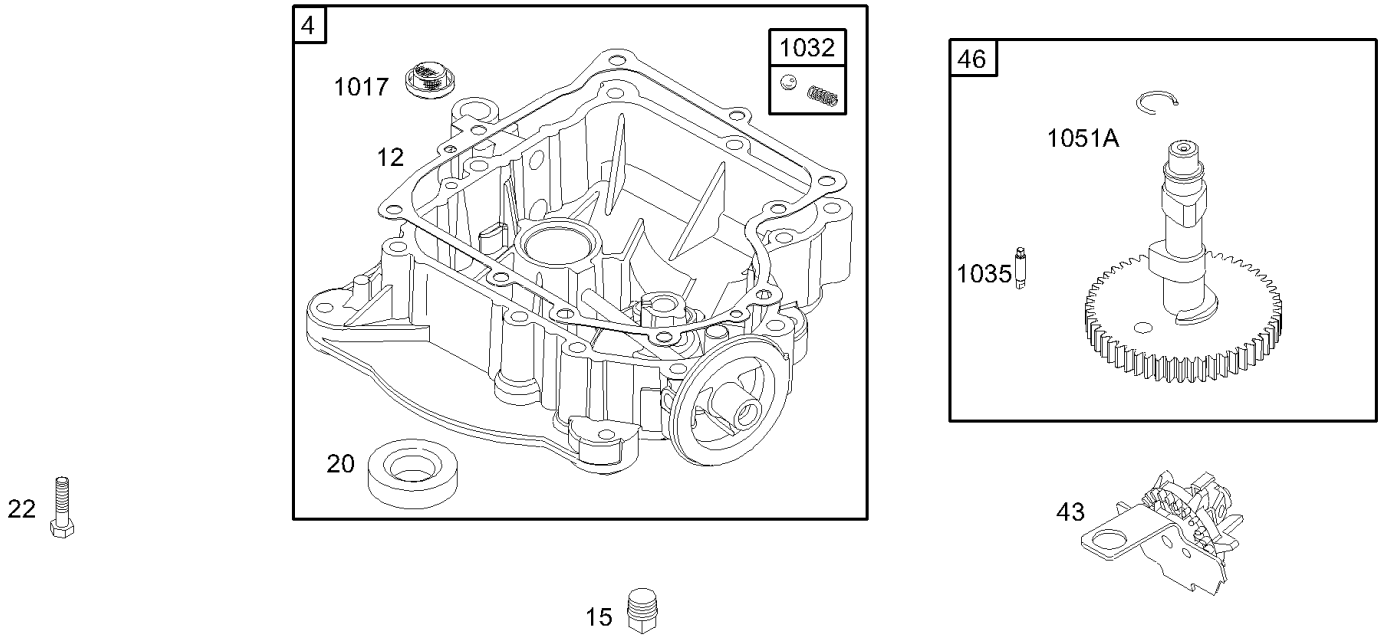
Ref	Part No.	Qty.	Description
1026	692003	1	Rod-Push
7	692011	1	Rod-Push
1029	691751	1	Arm-Rocker
1034	690822	1	Guide-Rod, Push



Assemblies include all parts shown in frames.

## Crankshaft Assembly Briggs and Stratton 286H77-0165-E1

Ref	Part No.	Qty.	Description
16	697127	1	Crankshaft
24	222698	1	Key
25	697114	1	Piston ASM (Standard)
	697116	1	Piston Assembly (.010In Oversize)
	697117	1	Piston ASM (.020In Oversize)
	697118	1	Piston Assembly (.030In Oversize)
26	697115	1	Ring Set (Standard)
	697119	1	Ring Set (.010" Oversize)
	697120	1	Ring Set (.020In Oversize)
	697121	1	Ring Set (.030" Oversize)
27	698469	1	Lock-Pin, Piston
28	697099	1	Pin-Piston (STD)
29	697126	1	Rod-Connecting (Standard)
	697263	1	Rod-Connecting (.020In Undersize)
32	692852	1	Screw
146	691639	1	Key-Timing
741	697128	1	Gear-Timing
757	697607	1	Link-Counterweight
758	697134	1	Counterweight
759	697392	1	Pin-Counterweight
1270	697156	1	Plug-Counterweight, Avs

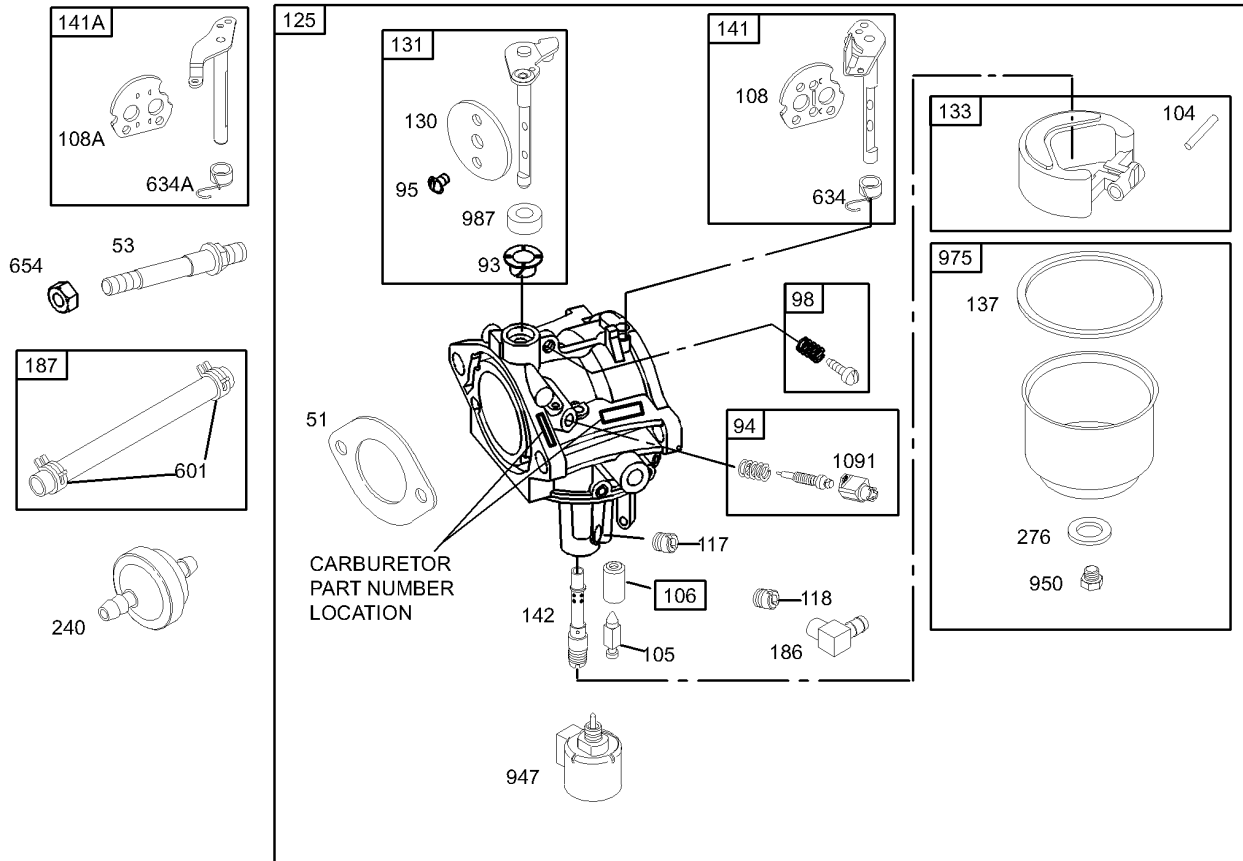



Assemblies include all parts shown in frames.

## Crankcase Assembly Briggs and Stratton 286H77-0165-E1

Ref	Part No.	Qty.	Description
④	697188	1	Sump-Engine
③⑦12	697110	1	Gasket-Crankcase
⑦15	690283	1	Plug-Oil
③⑦20	690947	1	Seal-Oil
⑦22	692125	1	Screw
⑦43	691968	1	Slinger-Governor,Oil
⑦46	698577	1	Camshaft
⑦1017	690770	1	Screen-Pump, Oil
⑦1032	491710	1	Ball-Pump, Oil
⑦1035	693784	1	Shaft-Pump, Oil
⑦1051A	698802	1	Ring-Retaining



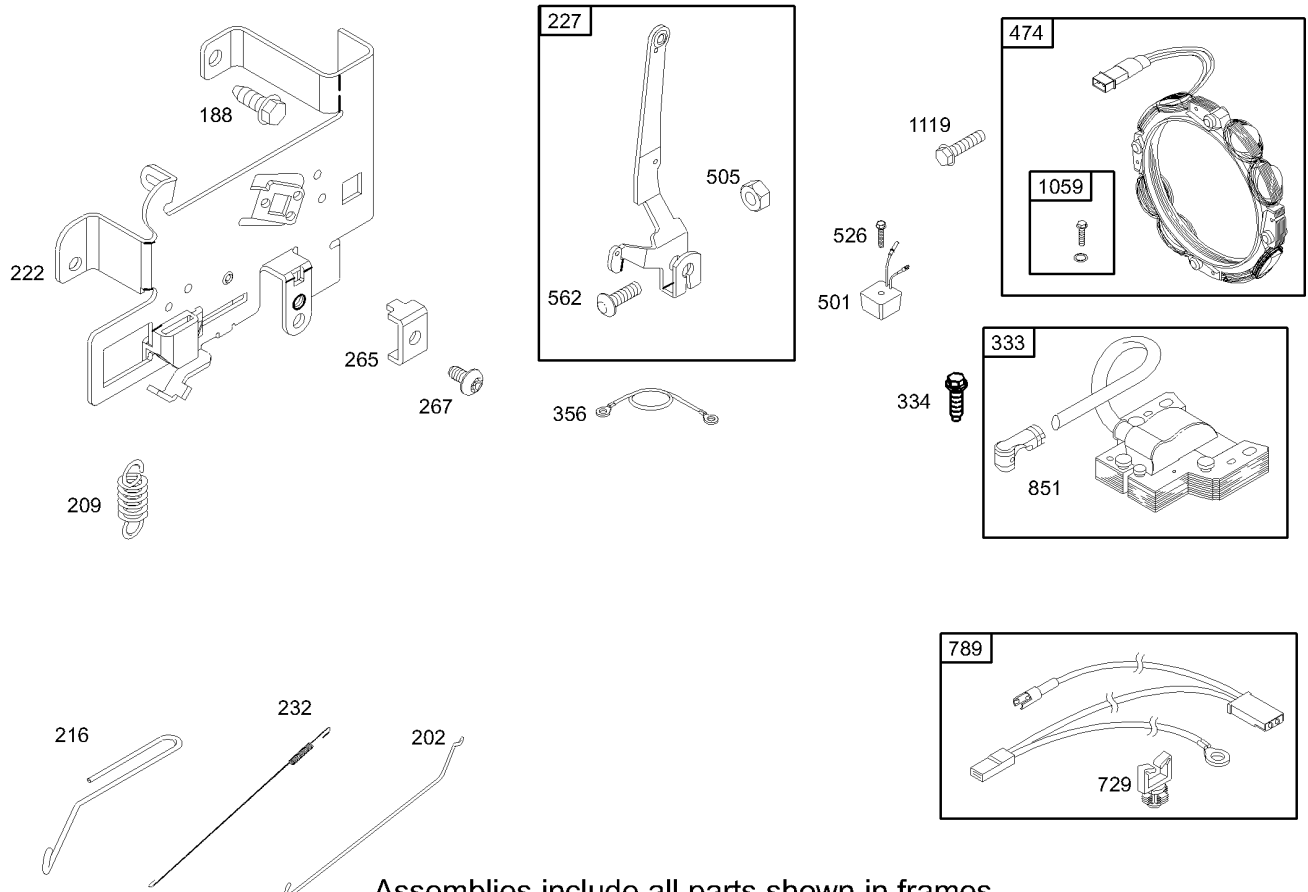


Assemblies include all parts shown in frames.

## Carburetor Assembly Briggs and Stratton 286H77-0165-E1

Ref	Part No.	Qty.	Description
5 4 51	692137	1	Gasket-Intake
5 6			
7 53	690227	1	Stud
5 7 93	690602	1	Bushing-Shaft, Throttle
7 94	498030	1	Idle Mixture Kit
5 7 95	691636	1	Screw
7 98	495800	1	Idle Speed Kit
5 7 104	690525	1	Pin-Hinge, Carburetor Float
5 7 105	231855	1	Valve-Needle, Float
5 7 106	690577	1	Seat-Inlet
7 108	690464	1	Valve-Choke
7 108A	692344	1	Valve-Choke
5 7 117	694352	1	Jet-Main (STD)
7 118	697228	1	Jet-Main (High Altitude)
7 125	697190	1	Carburetor
7 130	691750	1	Valve-Throttle
7 131	494379	1	Throttle Shaft Kit
7 133	494381	1	Float-Carburetor
5 6 137	281165	1	Gasket-Bowl, Float
7			
7 141	495097	1	Choke Shaft Kit
7 141A	495931	1	Choke Shaft Kit
5 7 142	697140	1	Nozzle-Carburetor
7 186	692317	1	Connector-Hose

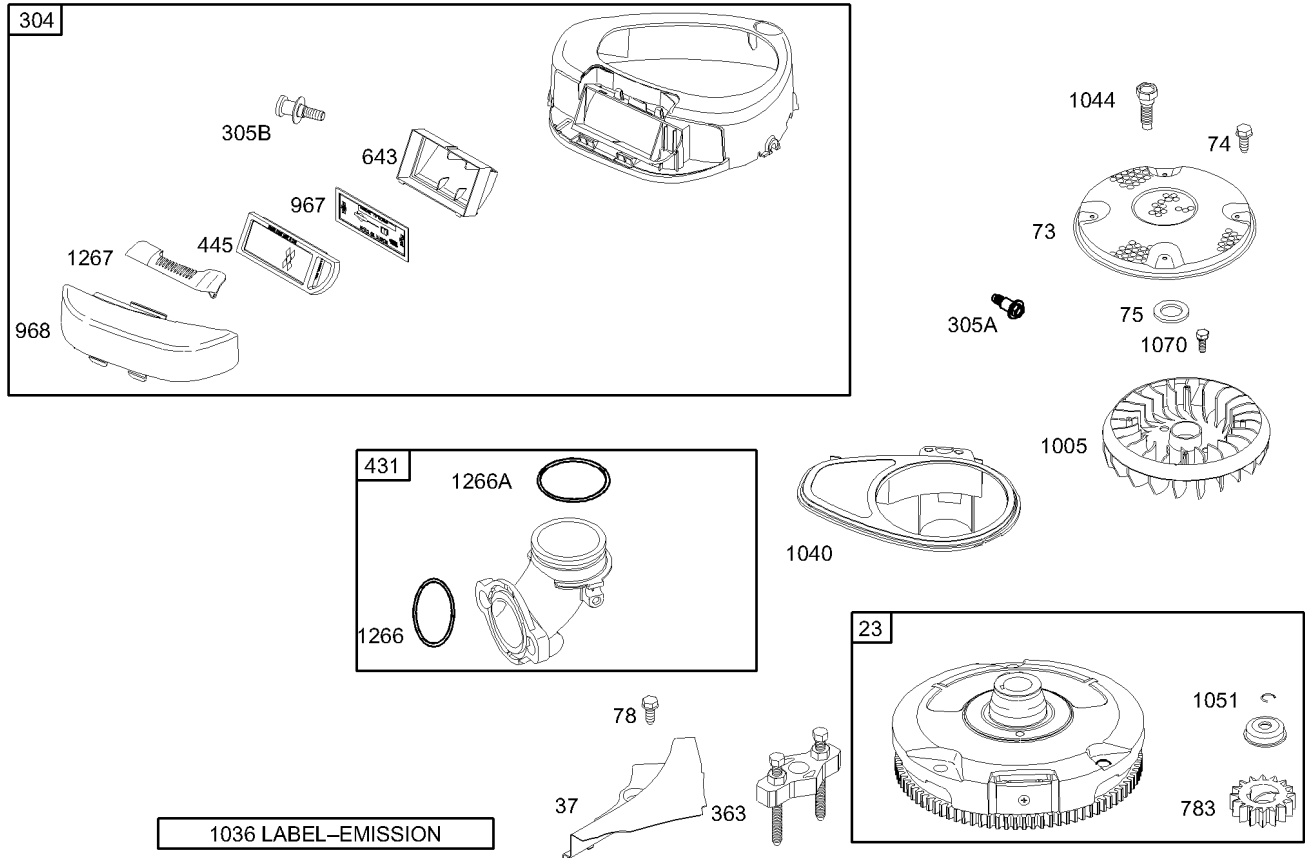
Ref	Part No.	Qty.	Description
7 187	697098	1	Line-Fuel
7 240	394358	1	Filter-Fuel
5 6 276	692255	1	Washer-Sealing
7			
7 601	95162	1	Clamp-Hose
5 7 634	690801	1	Spring / Seal ASM
5 7 634A	690802	1	Spring And Seal ASM
7 654	690958	1	Nut
7 947	694393	1	Solenoid-Fuel
7 950	691657	1	Screw
7 975	495933	1	Bowl-Float
5 7 987	691326	1	Seal-Shaft, Throttle
7 1091	691333	1	Cap-Limiter



Assemblies include all parts shown in frames.

## Governor Assembly Briggs and Stratton 286H77-0165-E1

Ref	Part No.	Qty.	Description
188	691693	1	Screw
202	691841	1	Link-Governor, Mechanical
209	692208	1	Spring-Governor
216	691840	1	Link-Choke
222	694042	1	Bracket-Control
227	691374	1	Lever-Control, Governor
232	691842	1	Spring-Link, Governor
265	691024	1	Clamp-Casing
267	695134	1	Screw
333	492341	1	Armature-Magneto
334	691061	1	Screw
356	697089	1	Stop-Wire
474	393329	1	Alternator-9 Amp
474	696458	1	Alternator
501	696385	1	Regulator-9 Amp
501	691185	1	Regulator
505	691251	1	Nut
526	697348	1	Screw
562	691119	1	Screw
729	691335	1	Clip-Wire
789	692037	1	Wiring-Harness
851	692424	1	Terminal-Spark Plug
1059	698516	1	Screw And Washer Kit
1119	691183	1	Screw

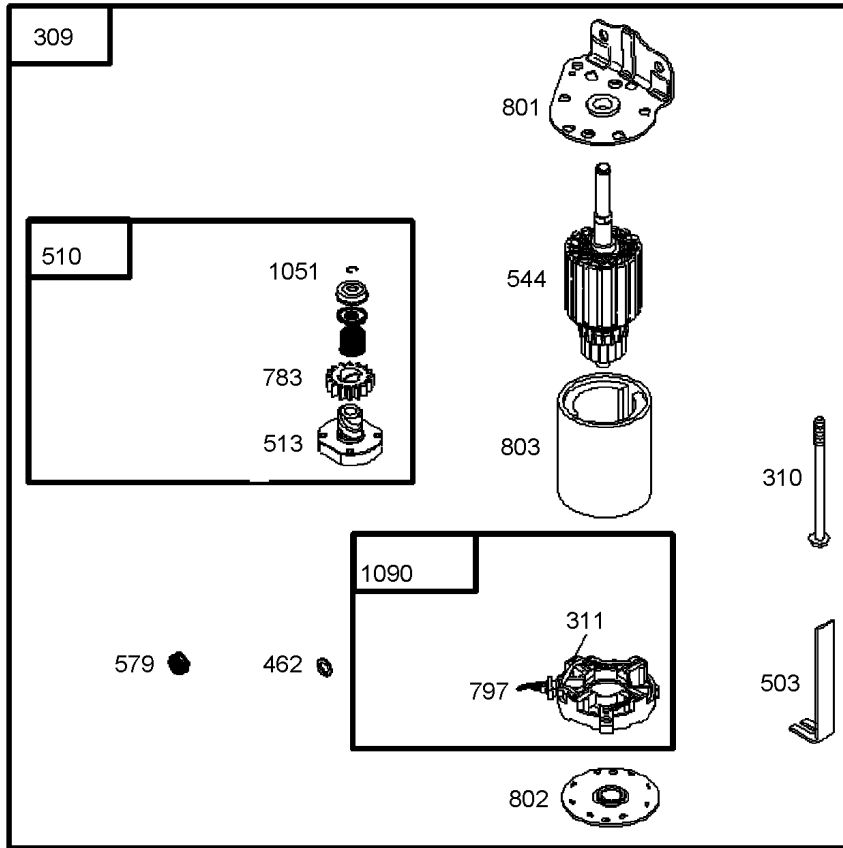



Assemblies include all parts shown in frames.

## Blower Housing Assembly Briggs and Stratton 286H77-0165-E1

Ref	Part No.	Qty.	Description
⑦23	693556	1	Flywheel
⑦37	697352	1	Guard-Flywheel
⑦73	697384	1	Screen-Rotating
⑦74	697897	1	Screw
⑦75	690582	1	Washer-Flywheel
⑦78	691003	1	Screw
⑦304	698804	1	Housing-Blower
⑦305	697102	1	Screw
⑦305A	697103	1	Screw
⑦363	19203	1	Puller-Flywheel
⑦431	697122	1	Elbow-Intake
⑦445	698083	1	Filter-Cartridge, Air Cleaner
⑦643	698401	1	Retainer-Filter, Air
⑦783	693713	1	Gear-Pinion
⑦967	697015	1	Filter-Cleaner, Pre
⑦968	697084	1	Cover-Cleaner, Air
⑦1005	697853	1	Fan-Flywheel
⑦1036	695700	1	Label-Emission
⑦1040	698368	1	Plate-Trim
⑦1044	691658	1	Screw-Crankshaft Extension
⑦1051	691265	1	Ring-Retaining
⑦1070	690372	1	Screw
③⑦1266	691917	1	Seal-O Ring
③⑦1266A	697123	1	Seal-O Ring

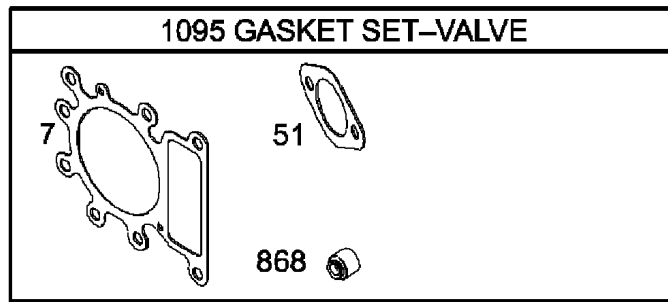
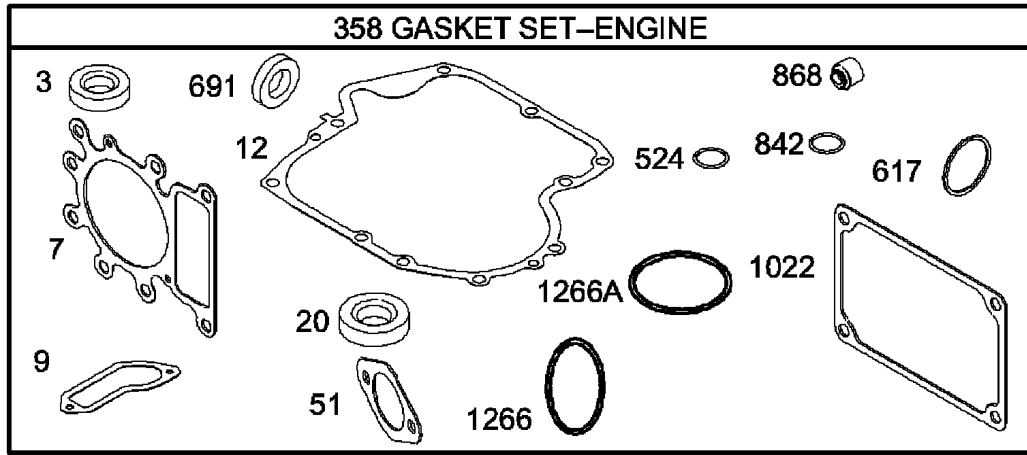
Ref	Part No.	Qty.	Description
⑦1267	697135	1	Latch-Blower Housing



## Starter Assembly Briggs and Stratton 286H77-0165-E1

Ref	Part No.	Qty.	Description
309	693551	1	Motor-Starter
310	690323	1	Bolt
311	497608	1	Brush Set
462	691261	1	Washer
503	691532	1	Strap-Starter
510	693699	1	Drive-Starter
513	692024	1	Clutch-Drive
544	692034	1	Armature-Starter
579	691029	1	Nut
697	690372	1	Screw
729A	691224	1	Clip-Wire
729B	694123	1	Clip-Wire
783	693713	1	Gear-Pinion
797	693167	1	Nut
801	691283	1	Cap-Drive
802	691286	1	Cap-End
803	693757	1	Housing-Starter
1051	691265	1	Ring-Retaining
1090	691293	1	Retainer-Brush

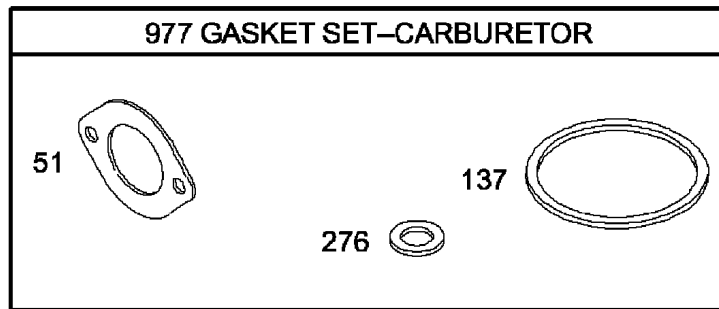
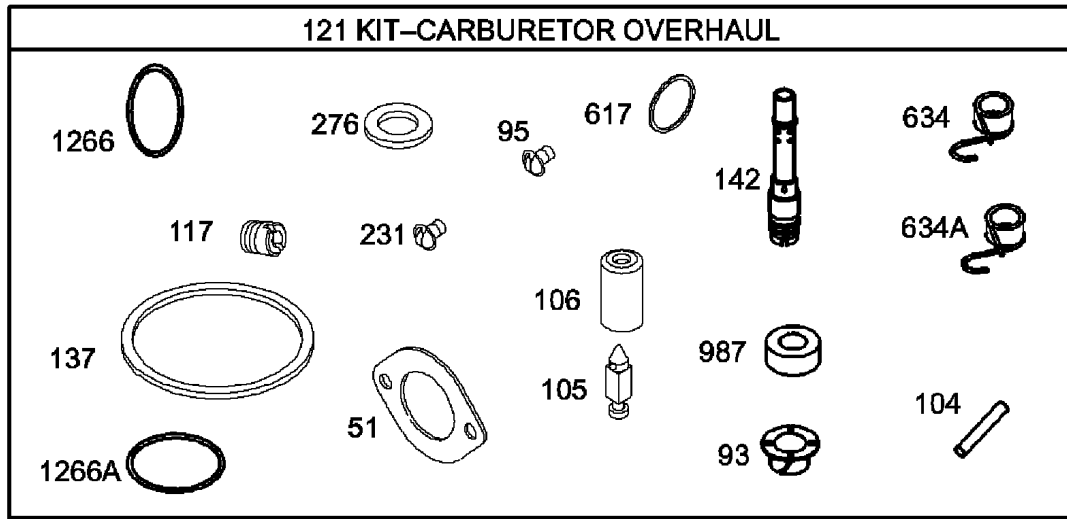




Assemblies include all parts shown in frames.

### Gasket Assembly Briggs and Stratton 286H77-0165-E1

Ref	Part No.	Qty.	Description
⑦3	391086	1	Seal-Oil
⑦7	273280	1	Gasket-Head, Cylinder
⑦9	697109	1	Gasket-Breather
⑦12	697110	0	Gasket-Crankcase
⑦20	690947	1	Seal-Oil
⑦51	692137	1	Gasket-Intake
⑦358	697151	1	Engine Gasket Set
⑦617	692138	1	Seal-O Ring
⑦524	691032	1	Seal, O-Ring
⑦691	692407	1	Seal-Shaft, Governor
⑦842	691031	1	Seal-O Ring
⑦868	690968	1	Seal-Valve
⑦1022	272475	1	Gasket-Cover, Rocker
⑦1095	691581	1	Valve Gasket Set
⑦1266	691917	1	Seal-O Ring
⑦1266A	697123	1	Seal-O Ring



**Assemblies include all parts shown in frames.  
Carburetor Overhaul Kit Assembly  
Briggs and Stratton 286H77-0165-E1**

Ref	Part No.	Qty.	Description
⑦51	692137	1	Gasket-Intake
⑦93	690602	1	Bushing-Shaft, Throttle
⑦95	691636	1	Screw
⑦104	690525	1	Pin-Hinge, Carburetor Float
⑦105	231855	1	Valve-Needle, Float
⑦106	690577	1	Seat-Inlet
⑦117	694352	1	Jet-Main (STD)
⑦121	697154	1	Carburetor Overhaul Kit
⑦137	281165	1	Gasket-Bowl, Float
⑦142	697140	1	Nozzle-Carburetor
⑦231	691636	1	Screw
⑦276	692255	1	Washer-Sealing
⑦617	692138	1	Seal-O Ring
⑦634	690801	1	Spring / Seal ASM
⑦634A	690802	1	Spring And Seal ASM
⑦977	690192	1	Carburetor Gasket Set
⑦987	6916326	1	Seal-Throttle Shaft
⑦1266	691917	1	Seal-O Ring
⑦1266A	697123	1	Seal-O Ring

## NOTES

