



14-38Z TimeCutter™ Z Riding Mower

Model No. 74402 - 240000001 and up.

Parts Catalog

Ordering Replacement Parts

To order replacement parts, please supply the part number, the quantity, and the description of each part desired.

Understanding Reference Numbers

Each identified part in an illustration has a reference number. The reference number for a part also appears in the parts list, along with other information about the part.

This catalog uses two special reference number formats, one to indicate parts in a service assembly and another to indicate the quantity of a given part in an illustration.

Service Assembly Reference Numbers

Parts in service assemblies have reference numbers in the form a:b. The a represents the reference number of the entire service assembly and the b represents a sequential number unique to each part within the service assembly.

For example, a wheel assembly might be identified by reference number 6, the tire by 6:1, the valve by 6:2, and the wheel by 6:3. When you order the assembly identified by reference number 6, you receive all parts identified by reference numbers 6:1, 6:2, and 6:3. However, you may also order any part individually. Reference numbers of this type appear in illustrations and in part lists.

Reference Numbers Indicating Quantity

In an illustration, if a reference number indicates more than one part, the reference number has the form nX y. The n represents the quantity of the part, the X is the multiplication symbol, and the y represents the reference number.

For example, in an illustration, the reference number 2X 37 means that two of the parts identified by reference number 37 are indicated.

Contents

Description	Page	Description	Page
Control Assembly 3	Crankcase Assembly Briggs and Stratton 280h07-0166-e1 20
Frame Assembly 4	Oil Filter, Tube and Pump Assembly Briggs and Stratton Model 280h07-0166-e1 21
RH Hydrostat Assembly Part No. 107-2466 6	Carburetor Assembly Briggs and Stratton 280h07-0166-e1 22
LH Hydrostat Assembly Part No. 107-2465 8	Governor Assembly Briggs and Stratton 280h07-0166-e1 23
Hydro and Belt Drive Assembly 10	Blower Housing Assembly Briggs and Stratton 280h07-0166-e1 24
38in Deck Spindle and Belt Drive Assembly 11	Starter Assembly Briggs and Stratton 280h07- 0166-e1 25
38in Deck Assembly 12	Gasket Assembly Briggs and Stratton 280h07- 0166-e1 26
Engine and Styling Assembly 14	Carburetor Overhaul Kit Assembly Briggs and Stratton Model 180h07-0166-e1 27
Electrical System Assembly 16		
Cylinder Assembly Briggs and Stratton 280h07-0166-e1 17		
Cylinder Head Assembly Briggs and Stratton 280h07-0166-e1 18		
Crankshaft Assembly Briggs and Stratton 280h07-0166-e1 19		

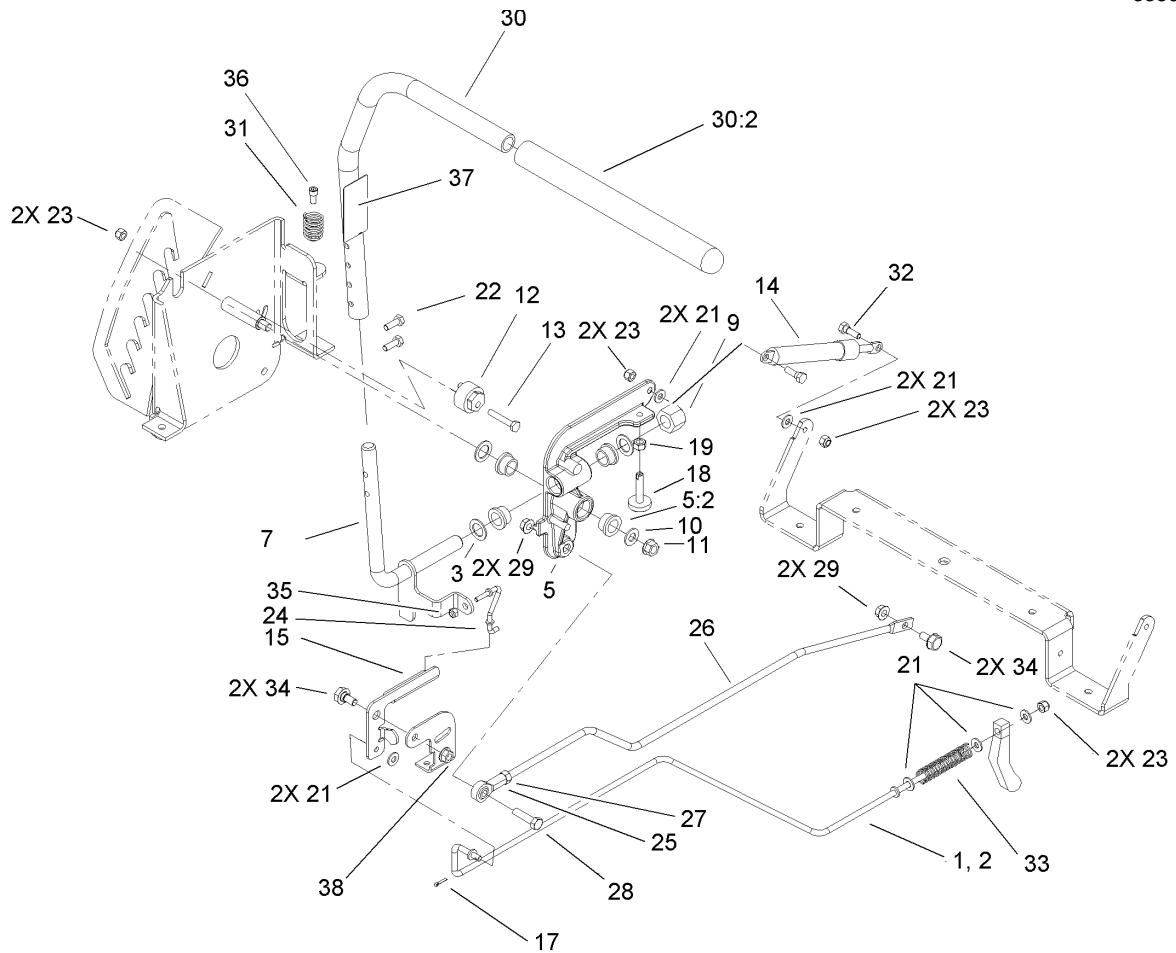
Part Description Abbreviations

Part descriptions in this catalog may include the following abbreviations.

AR. as required	HYD. hydraulic
ASM. assembly	LH. left hand
BBC. blade brake clutch	NI. nylon insert
CARR. carriage	NPTF. national pipe thread fine
DEG. degrees	PFH. phillips flat head
EXT. external	PPH. phillips pan head
FH. flat head	PPHTF. phillips pan head thread forming
GA. gauge	PRH. phillips round head
HD. heavy-duty	PTH. phillips truss head
HF. hex flange	PTO. power-take-off
HH. hex head	RH. right hand
HHF. hex head flange	ROPS. roll-over protection system
HHFTF. hex head flange thread forming	SFH. slotted fillister head
HJ. hex jam	SHH. slotted hex head
HLH. hex lag head	SHWH. slotted hex washer head
HOC. height-of-cut	SPH. slotted pan head
HSBH. hex socket button head	SQH. square head
HSFH. hex socket flat head	SRH. slotted round head
HSH. hex socket head	STD. standard
HWH. hex washer head	TAP. self tapping
HWHTF. hex washer head thread forming	TTH. torx truss head

Footnotes

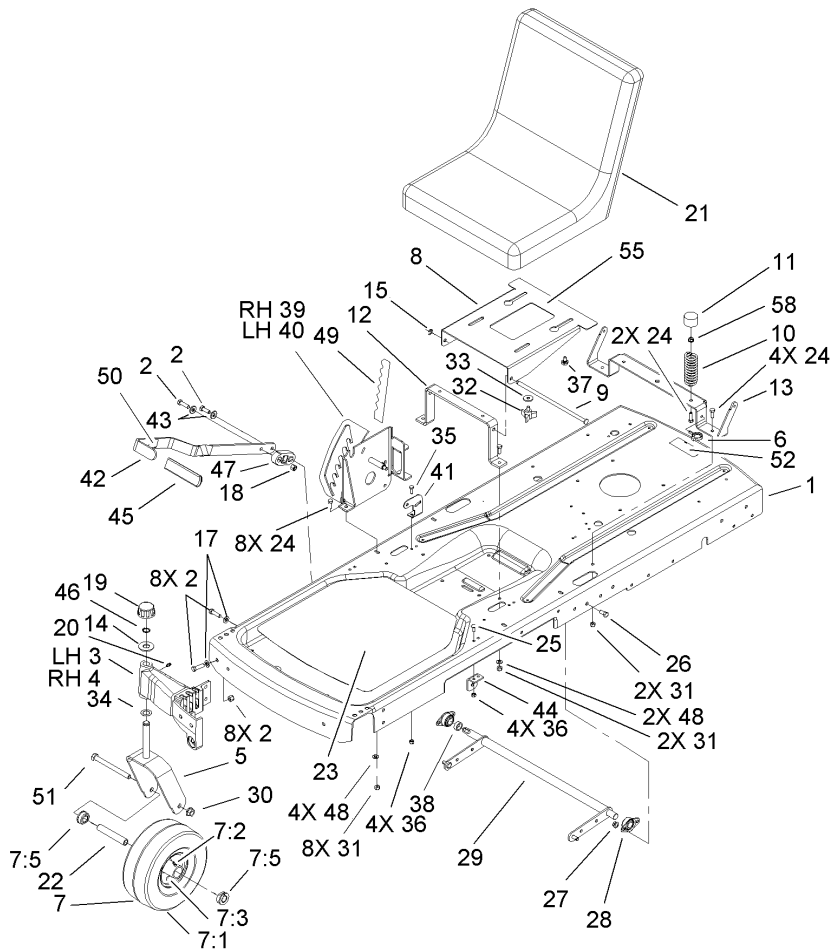
- | | |
|---|---|
| ❶ Not illustrated | ❷ Not serviced separately |
| ❸ Included in Engine Gasket Set-Ref. 358. | ❹ Included in Valve Gasket Set-Ref. 1095. |
| ❺ Included in Carburetor Overhaul Kit-Ref. 121. | ❻ Included in Carburetor Gasket Set-Ref. 977. |
| ❼ Obtain from your local Briggs & Stratton dealer | |



Control Assembly

Ref	Part No.	Qty.	Description
1	105-7045	1	Rod-Brake, LH
2	105-7044	1	Rod-Brake, RH
3	105-3481	6	Washer-Thrust
5	106-8671	1	RH Actuator Arm W/Bushing ASM
5:2	105-3455	4	Bushing
6	106-8672	1	LH Actuator Arm W/Bushing ASM
6:2	105-3455	4	Bushing
7	105-3488	1	LH Pivot Shaft ASM
8	105-3487	1	RH Pivot Shaft ASM
9	3296-53	2	Nut-Lock, NI
10	3256-24	2	Washer-Flat
11	3296-59	2	Nut-Lock, NI
12	105-3485	2	Bushing-Eccentric
13	321-9	2	Screw-HH
14	103-2913	2	Damper-Control, Motion
15	106-2181	2	Bellcrank
17	3272-5	2	Pin-Cotter
18	105-3486	2	Stop-Adjustment
19	3217-6	2	Nut-Hex
21	3256-22	12	Washer-Flat
22	321-4	4	Screw-HH
23	3296-42	8	Nut-Lock, NI
24	106-2179	2	Link-Brake
25	1-543017	2	Balljoint-RH

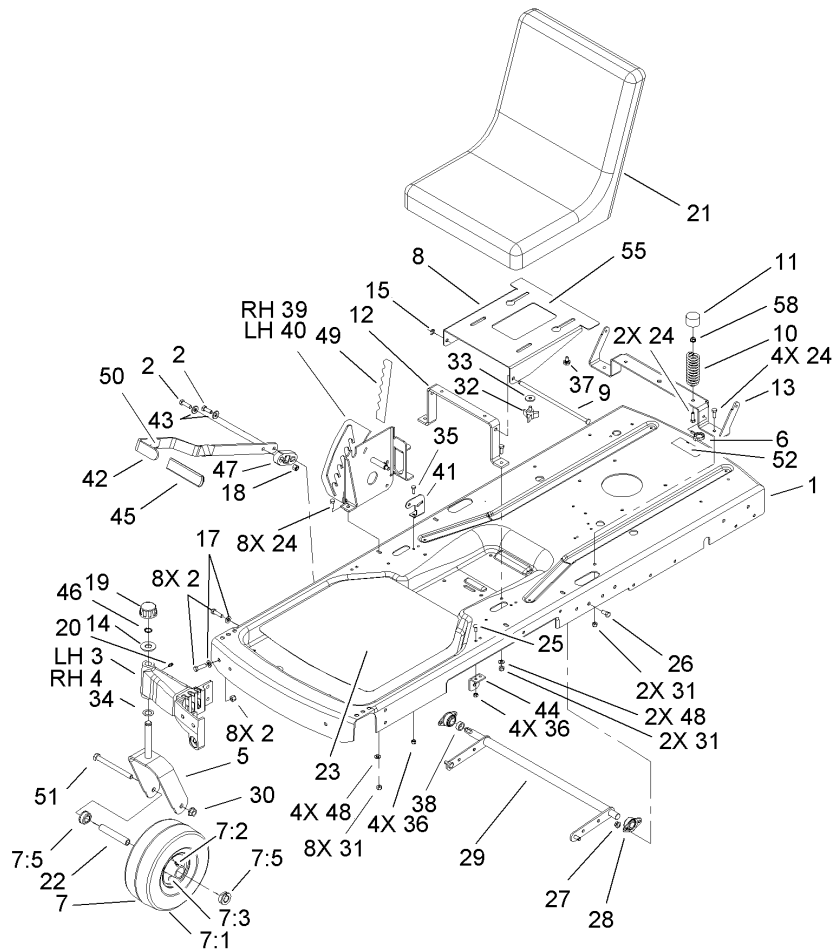
Ref	Part No.	Qty.	Description
26	105-7048	2	Rod-Hydro
27	3219-2	2	Nut-Hex
28	322-6	2	Screw-HH
29	32128-20	4	Nut-HF
30	106-2242	2	Handle ASM
30:2	1-633257	1	Grip-Control, Motion
31	105-3469	2	Spring-Compression
32	106-2214	4	Bolt-Shoulder
33	105-3465	2	Spring-Compression
34	37-8771	4	Bolt-Shoulder
35	3296-2	2	Nut-Lock
36	3274-52	2	Screw-HSH
37	106-8742	2	Decal
38	32128-25	2	Nut-HF



Frame Assembly

Ref	Part No.	Qty.	Description
1	107-1744-01	1	Frame
2	323-18	10	Screw-HH
3	105-6986-01	1	Caster-LH
4	105-6985-01	1	Castor-RH
5	106-2196-01	2	Caster Fork ASM
6	105-1853	1	Clamp-Hose
7	105-3471	2	Front Wheel And Tire ASM
7:1	105-1943	1	Tire
7:2	302-11	1	Fitting-Lube, 45 DEG
7:3	232-27	1	Stem-Valve
7:5	114-1640	2	Bushing-Flange
7:99	93-4244	1	Tube-Inner (W/Valve)
8	105-6953-03	1	Bracket-Seat
9	105-6955	1	Pin-Pivot
10	92-7054	2	Spring-Compression
11	701178	2	Cap-Protector
12	105-6954-03	1	Brace-Seat, Front
13	106-2210-03	1	Brace-Seat, Rear
14	28-2480	2	Washer
15	105-7004	1	E-Ring
17	3256-24	8	Washer-Flat
18	3296-39	9	Nut-Lock, NI
19	61-9780	2	Cap-Hub
20	302-5	2	Fitting-Grease

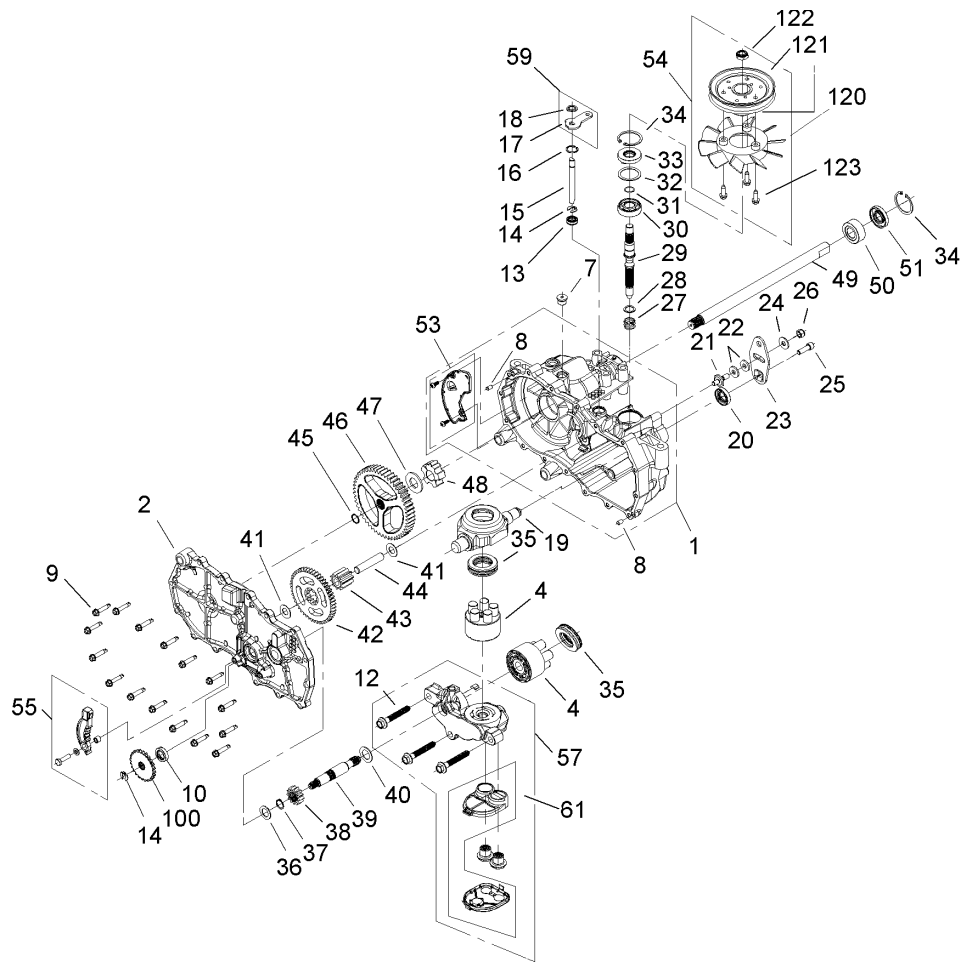
Ref	Part No.	Qty.	Description
21	105-6962	1	Seat
22	104-3667	2	Spanner-Wheel
23	105-3460	1	Pad-Antiskid
24	322-4	14	Screw-HH
25	3229-1	4	Screw-CARR
26	323-4	4	Screw-HH
27	3290-357	4	Nut-HHF, Whiz
28	1-633102	2	Bearing-Flange, Side
29	105-3499-03	1	Lift Arm ASM
30	32128-23	2	Nut-HF
31	3296-29	12	Nut-Lock, NI
32	92-9674	2	Knob
33	5-4460	2	Washer-Pivot
34	3-6498	2	Washer-Thrust
35	321-4	4	Screw-HH
36	3296-42	8	Nut-Lock, NI
37	37-8770	2	Bolt-Shoulder
38	106-2222	1	Spacer
39	106-2158-03	1	RH Plate ASM
40	106-2159-03	1	LH Plate ASM
41	106-2180	2	Bracket-Bellcrank
42	105-3435-03	1	Lever-Lift
43	98-5975	2	Washer-Belleville
44	105-3439	2	Bracket-Lift



Frame Assembly (continued)

Ref	Part No.	Qty.	Description
45	105-3450	1	Grip-Lever, Lift
46	32151-103	2	Ring-Snap
47	106-2211	1	Block-Lift
48	3256-23	6	Washer-Flat
49	106-2223	1	Decal-HOC
50	106-8743	1	Decal
51	325-22	2	Screw-HH
52	106-7043	1	Decal-Transport
55	106-8717	1	Decal-Service
58	32128-25	2	Nut-HF

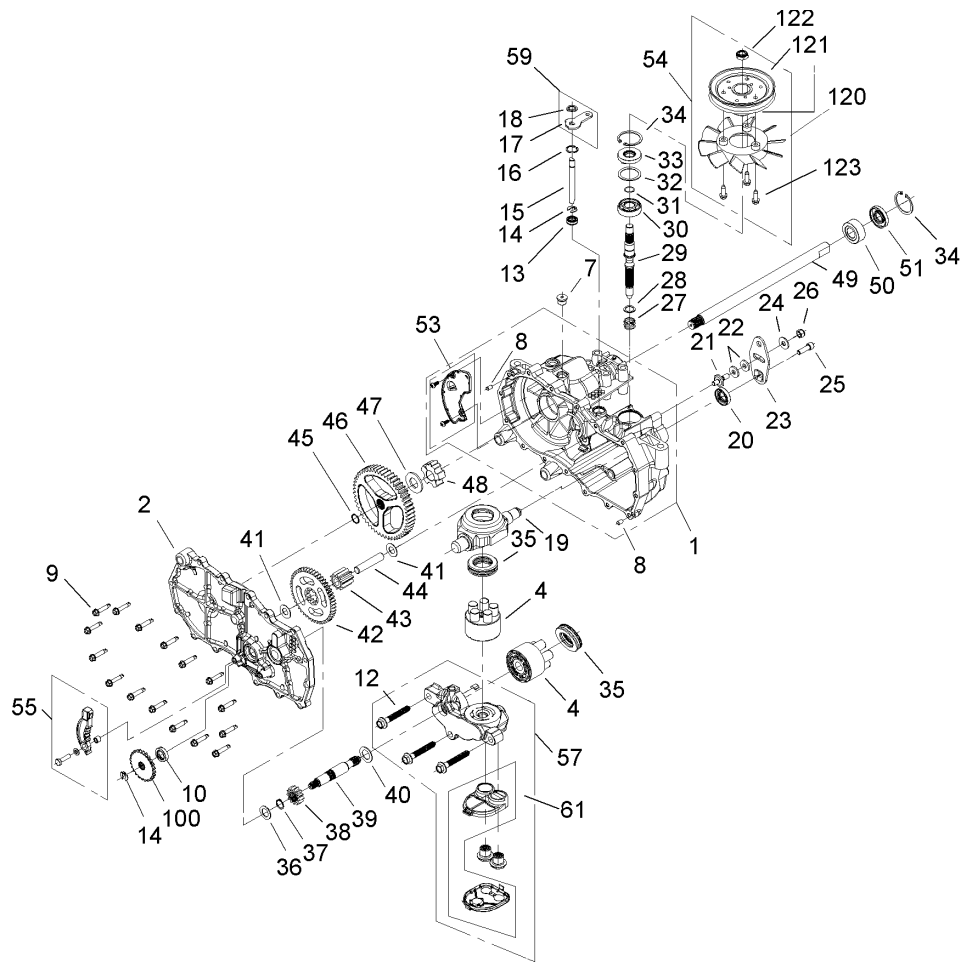
--	--	--	--



RH Hydrostat Assembly Part No. 107-2466

Ref	Part No.	Qty.	Description
1	106-8674	1	LH Main Housing ASM
2	106-8675	1	LH Side ASM
4	104-2106	1	Cylinder Block ASM
7	104-2189	1	Plug-Thread, Straight
8	9004800-2506	2	Pin-Hydrogear
9	104-5305	16	Screw-HHF
10	104-5347	1	Seal-Oil
12	94-6926	3	Bolt
13	106-8676	1	Seal-Lip
14	106-8677	2	Ring-Retaining, EXT
15	106-8678	1	Rod-Bypass
16	106-8679	1	Ring-Retaining, Int
17	107-2490	1	Arm-Bypass
18	106-8681	1	Ring-Retaining, EXT
19	104-5304	1	Swashplate-Trunnion
20	104-5313	1	Seal-Lip
21	104-2116	1	Stud
22	105-1873	2	Puck-Friction
23	106-8747	1	Arm-Control
24	5-4460	1	Washer-Pivot
25	107-2488	1	Screw
26	105-1872	1	Nut
27	94-1936	1	Spring-Block

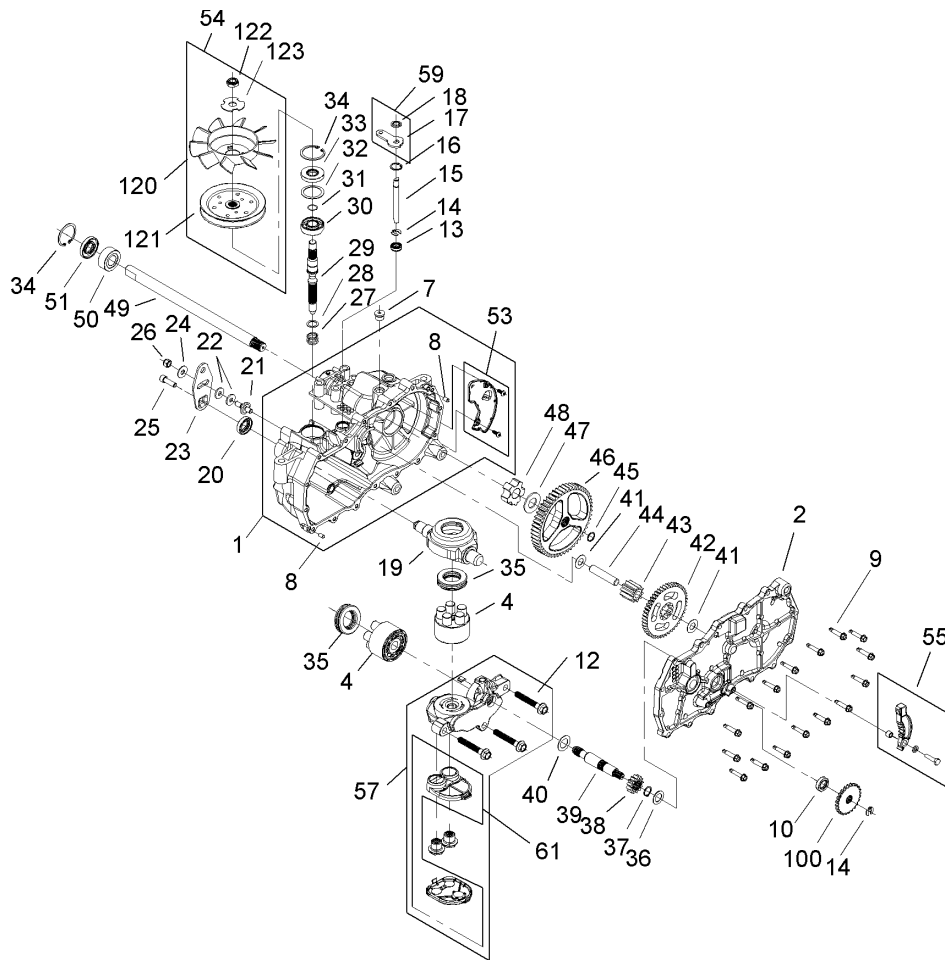
Ref	Part No.	Qty.	Description
28	94-1937	1	Washer-Block, Thrust
29	104-5306	1	Shaft-Input
30	104-5311	1	Bearing-Ball
31	104-5307	1	Ring-Retaining
32	104-5308	1	Spacer
33	104-5310	1	Seal-Lip
34	104-5309	2	Ring-Retaining
35	94-6922	2	Bearing-Thrust
36	104-5339	1	Washer-Flat
37	104-5340	1	Ring-Retaining
38	104-5316	1	Gear-Pinnion, 13T
39	106-8683	1	Shaft-Motor
40	104-5360	1	Washer-Shaft, Motor
41	94-1933	2	Washer
42	104-5317	1	Gear
43	104-5318	1	Gear-Jackshaft, 10T
44	104-5329	1	Pin-Jackshaft
45	104-5328	1	Ring-Retaining, Spiral
46	106-8684	1	Gear-Bull, 52T
47	94-1943	1	Washer
48	104-5320	1	Bearing-Sleeve
49	106-8685	1	Axle
50	104-5321	1	Bearing-Sleeve, Outboard
51	104-5322	1	Seal-Lip



RH Hydrostat Assembly Part No. 107-2466 (continued)

Ref	Part No.	Qty.	Description
●52	106-8686	1	Seal Kit
53	106-8687	1	LH Expansion Plate Kit
54	105-1928	1	Fan Pulley Kit
55	106-8688	1	Brake Arm Kit
57	106-8690	1	LH Center Section Filter Kit
●58	104-2147	1	Sealant
59	107-2489	1	Bypass Arm Kit
61	106-8693	1	Filter Kit
100	106-8694	1	Disc-Brake, Cog
120	105-1927	1	Fan
121	105-1896	1	Pulley
122	105-1875	1	Nut-Lock
123	104-2120	3	Screw
●124	107-1710	1	Cap-Vent

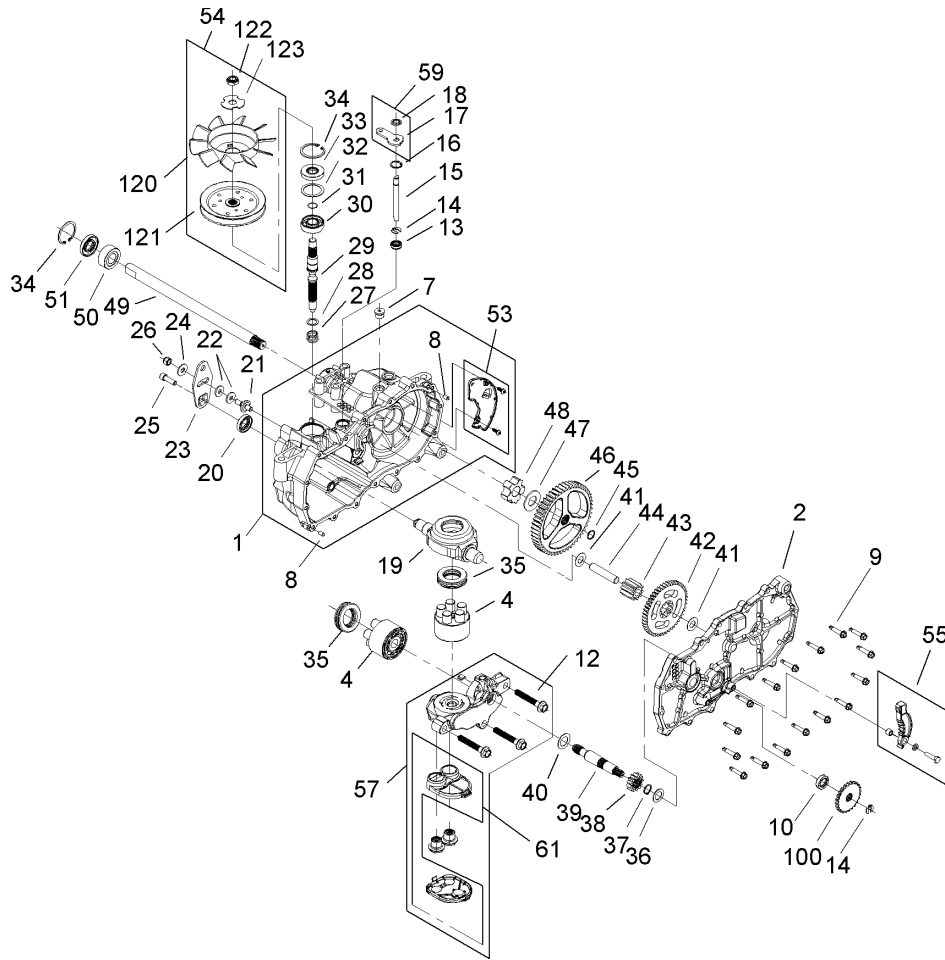
--	--	--	--



LH Hydrostat Assembly Part No. 107-2465

Ref	Part No.	Qty.	Description
1	106-8695	1	RH Main Housing ASM
2	106-8696	1	RH Side ASM
4	104-2106	1	Cylinder Block ASM
7	104-2189	1	Plug-Thread, Straight
8	9004800-2506	2	Pin-Hydrogear
9	104-5305	16	Screw-HHF
10	104-5347	1	Seal-Oil
12	94-6926	3	Bolt
13	106-8676	1	Seal-Lip
14	106-8677	2	Ring-Retaining, EXT
15	106-8678	1	Rod-Bypass
16	106-8679	1	Ring-Retaining, Int
17	107-2490	1	Arm-Bypass
18	106-8681	1	Ring-Retaining, EXT
19	104-5304	1	Swashplate-Trunnion
20	104-5313	1	Seal-Lip
21	104-2116	1	Stud
22	105-1873	2	Puck-Friction
23	106-8747	1	Arm-Control
24	5-4460	1	Washer-Pivot
25	107-2488	1	Screw
26	105-1872	1	Nut
27	106-8747	1	Arm-Control

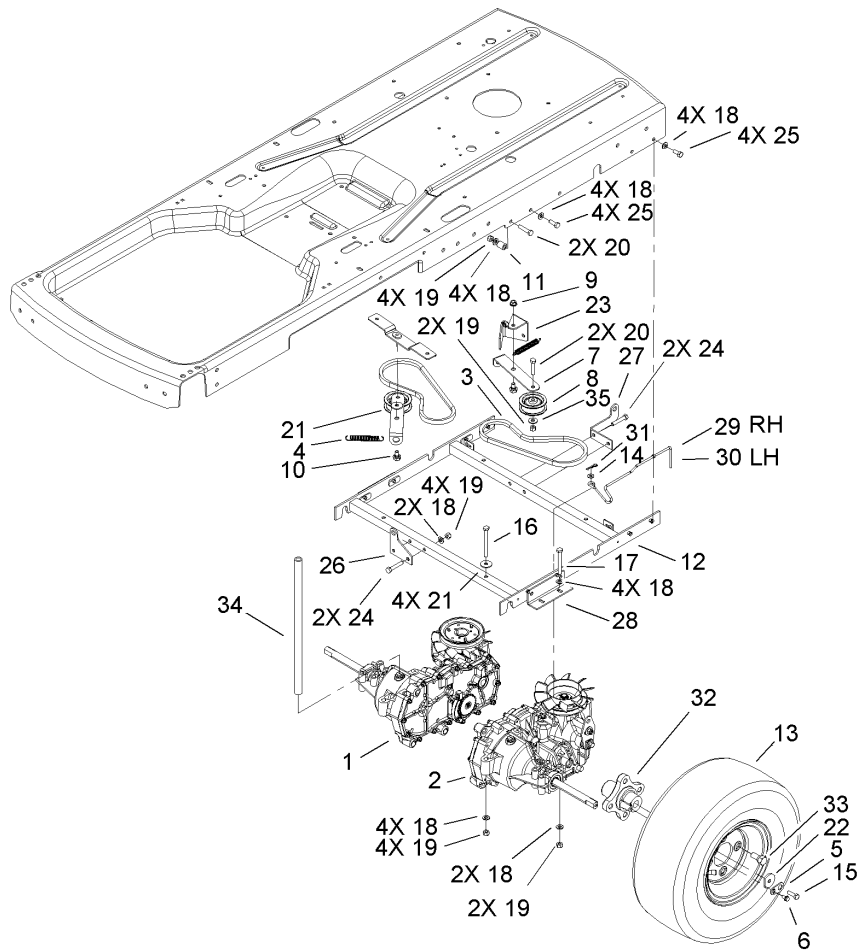
Ref	Part No.	Qty.	Description
28	94-1937	1	Washer-Block, Thrust
29	104-5306	1	Shaft-Input
30	104-5311	1	Bearing-Ball
31	104-5307	1	Ring-Retaining
32	104-5308	1	Spacer
33	104-5310	1	Seal-Lip
34	104-5309	2	Ring-Retaining
35	94-6922	2	Bearing-Thrust
36	104-5339	1	Washer-Flat
37	104-5340	1	Ring-Retaining
38	104-5316	1	Gear-Pinnion, 13T
39	106-8683	1	Shaft-Motor
40	104-5360	1	Washer-Shaft, Motor
41	94-1933	2	Washer
42	104-5317	1	Gear
43	104-5318	1	Gear-Jackshaft, 10T
44	104-5329	1	Pin-Jackshaft
45	104-5328	1	Ring-Retaining, Spiral
46	106-8684	1	Gear-Bull, 52T
47	94-1943	1	Washer
48	104-5320	1	Bearing-Sleeve
49	106-8685	1	Axle
50	104-5321	1	Bearing-Sleeve, Outboard
51	104-5322	1	Seal-Lip



LH Hydrostat Assembly Part No. 107-2465 (continued)

Ref	Part No.	Qty.	Description
●52	106-8686	1	Seal Kit
53	106-8697	1	RH Expansion Plate Kit
54	106-8698	1	Fan Pulley Kit
55	106-8688	1	Brake Arm Kit
57	106-8699	1	RH Center Section Filter Kit
●58	104-2147	1	Sealant
59	107-2489	1	Bypass Arm Kit
61	106-8693	1	Filter Kit
100	106-8694	1	Disc-Brake, Cog
120	110-8566	1	Fan-6 Inch, 10 Blade
121	104-1754	1	Pulley
122	105-1875	1	Nut-Lock
123	104-2120	3	Screw
●124	107-1710	1	Cap-Vent

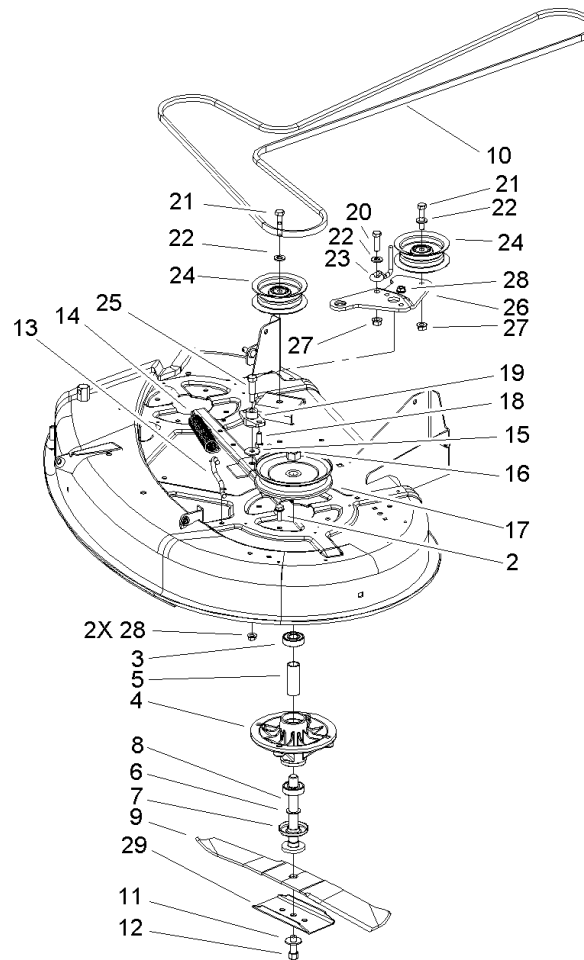
--	--	--	--



Hydro and Belt Drive Assembly

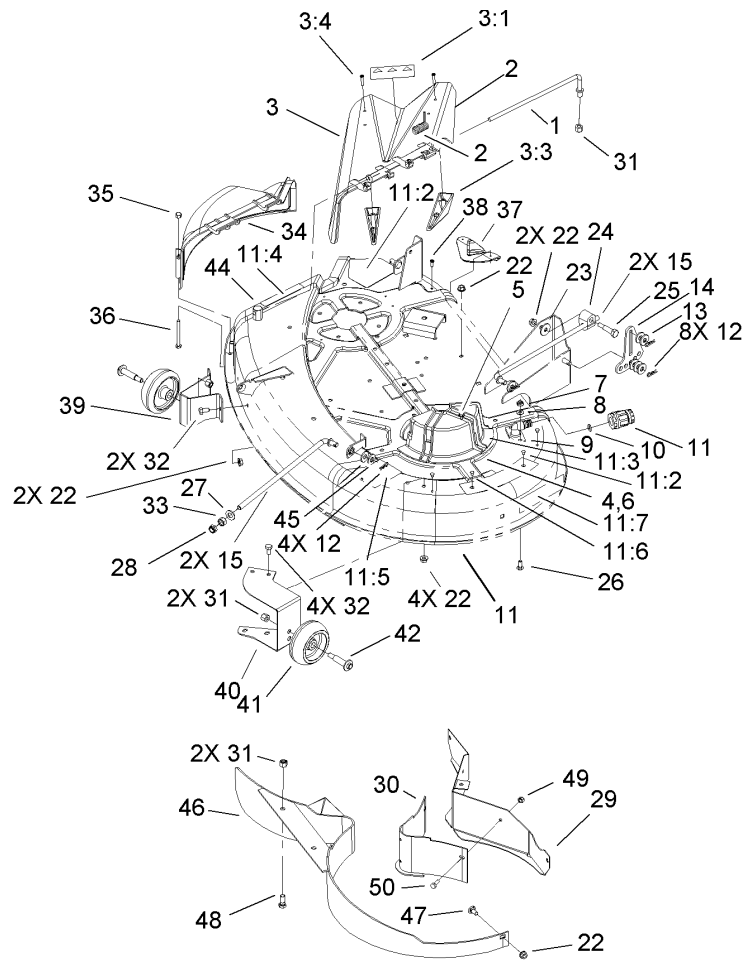
Ref	Part No.	Qty.	Description
1	107-2466	1	RH Hydrostat ASM
2	107-2465	1	LH Hydrostat ASM
3	106-2174	2	V-Belt
4	95-3805	2	Spring
5	105-3438	2	Tab-Locking
6	3234-13	2	Screw-HHF
7	105-7047	2	Arm-Idler
8	106-2176	2	Pulley-Idler
9	32128-25	1	Nut-HF
10	37-8770	2	Bolt-Shoulder
11	105-1941	2	Spacer
12	107-2462-03	1	Hydro Mount ASM
13	106-7003	2	Rear Wheel ASM
13:99	107-2491	1	Tube-Tire
14	3256-1	2	Washer-Flat
15	3210-5	2	Screw-HH
16	322-20	4	Screw-HH
17	322-13	4	Screw-HH
18	3256-23	24	Washer-Flat
19	3296-29	16	Nut-Lock, NI
20	322-7	4	Screw-HH
21	5-4460	5	Washer-Pivot
22	106-7001	2	Washer-Wheel
23	107-1734	1	Stop-Clutch

Ref	Part No.	Qty.	Description
24	322-9	4	Screw-HH
25	322-4	8	Screw-HH
26	105-7049	1	Bracket-Spring
27	105-7046	1	Bracket-Spring
28	105-7039-03	2	Support-Hydro
29	107-2463	1	Arm-Bypass, LH
30	107-2464	1	Arm-Bypass, RH
31	1-806003	2	Pin-Hair
32	106-6987-03	2	Hub-Machined
33	71-4450	8	Bolt-Lug
34	106-7002	2	Vent Hose ASM
35	3256-3	2	Washer-Flat



38in Deck Spindle and Belt Drive Assembly

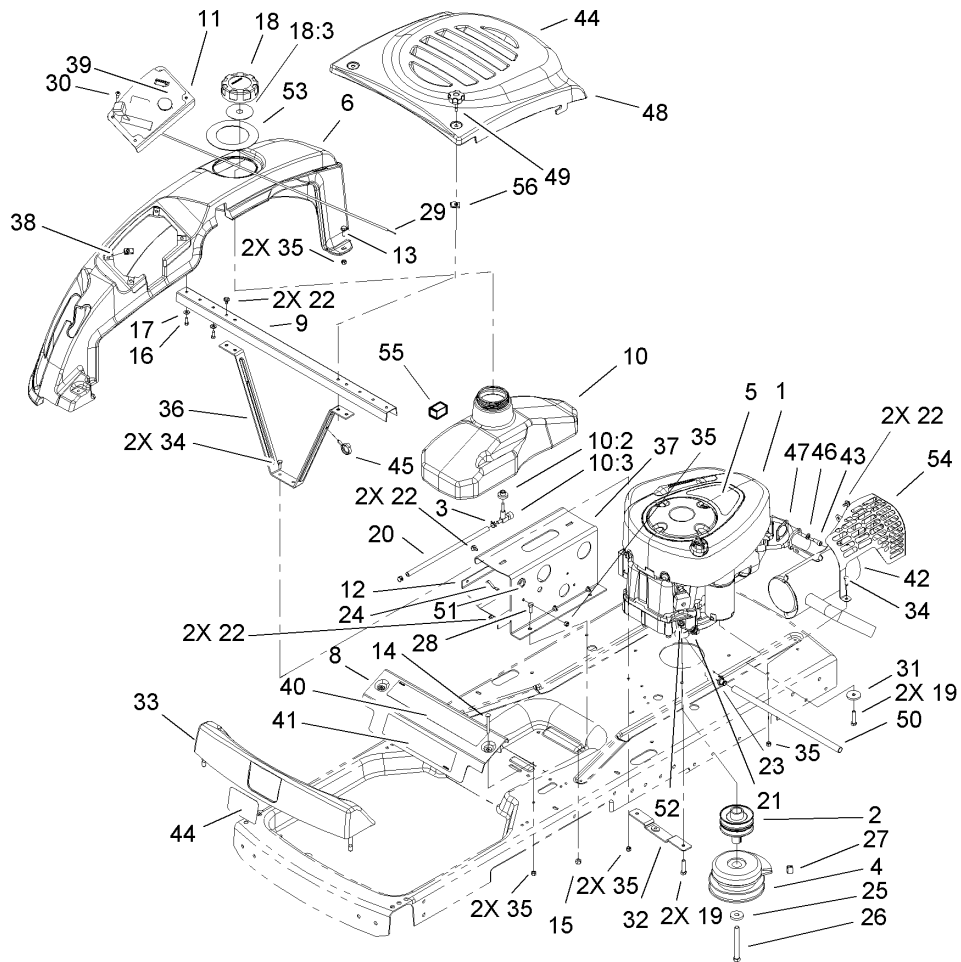
Ref	Part No.	Qty.	Description	Ref	Part No.	Qty.	Description
2	32144-41	8	Screw-Taptite	26	107-2467-03	1	Arm-Idler
3	100-1048	4	Bearing-Ball	27	32128-21	2	Nut-HF
4	88-4510	2	Housing-Spindle	28	32128-25	3	Nut-HF
5	62-3661	2	Spacer-Bearing	29	80-0510-03	2	Stiffener-Blade
6	80-4380	2	Spacer				
7	80-4360	2	Shield-Bearing				
8	80-4341	2	Shaft				
9	79-3061-03	2	Blade-Recycling				
10	106-2173	1	Belt-V				
11	3290-465	2	Washer-Belleville				
12	26-0671	2	Screw-Blade				
13	88-5970	1	Hook-Return, Spring				
14	106-2177	1	Spring-Extension				
15	5-4460	1	Washer-Pivot				
16	3219-6	2	Nut-Hex				
17	88-5330	2	Pully-Deck				
18	322-4	2	Screw-HH				
19	88-4980	1	Bushing-Arm, Idler				
20	323-7	1	Screw-HH				
21	323-9	2	Screw-HH				
22	3256-24	3	Washer-Flat				
23	107-7307	1	Guide-Idler, Belt				
24	106-2175	2	Pulley-Idler, Flat				
25	7-0030	1	Bolt-Shoulder				



38in Deck Assembly

Ref	Part No.	Qty.	Description
1	95-1661	1	Rod-Pivot
2	57-6950	1	Spring
3	93-7695	1	Deflector ASM
3:1	93-7010	1	Decal-Danger
3:3	93-7696	2	Kicker
3:4	93-0231	4	Screw-PPH
4	88-4030	1	Guide-Belt, Deck (LH)
5	32104-76	5	Screw
6	88-4020	1	Guide-Belt, Deck (RH)
7	3296-16	2	Nut-Lock, NI
8	3256-1	2	Washer-Flat
9	95-2747	1	Fitting-Washout
10	46-6290	1	O-Ring
11	106-8732	1	38In Deck ASM
11:2	93-7010	2	Decal-Danger
11:3	93-6677	1	Decal-Shield, Danger
11:4	93-7009	1	Decal-Danger
11:5	105-7015	1	Decal-Routing, Belt
11:6	3290-282	4	Rivet-Pop
11:7	106-6407	1	Decal
12	9335054	8	Pin-Hair
13	80-6990	10	Washer-Hardened
14	88-5570-03	2	Link-Adjusting, HOC
15	105-3437	4	Rod-Hanger

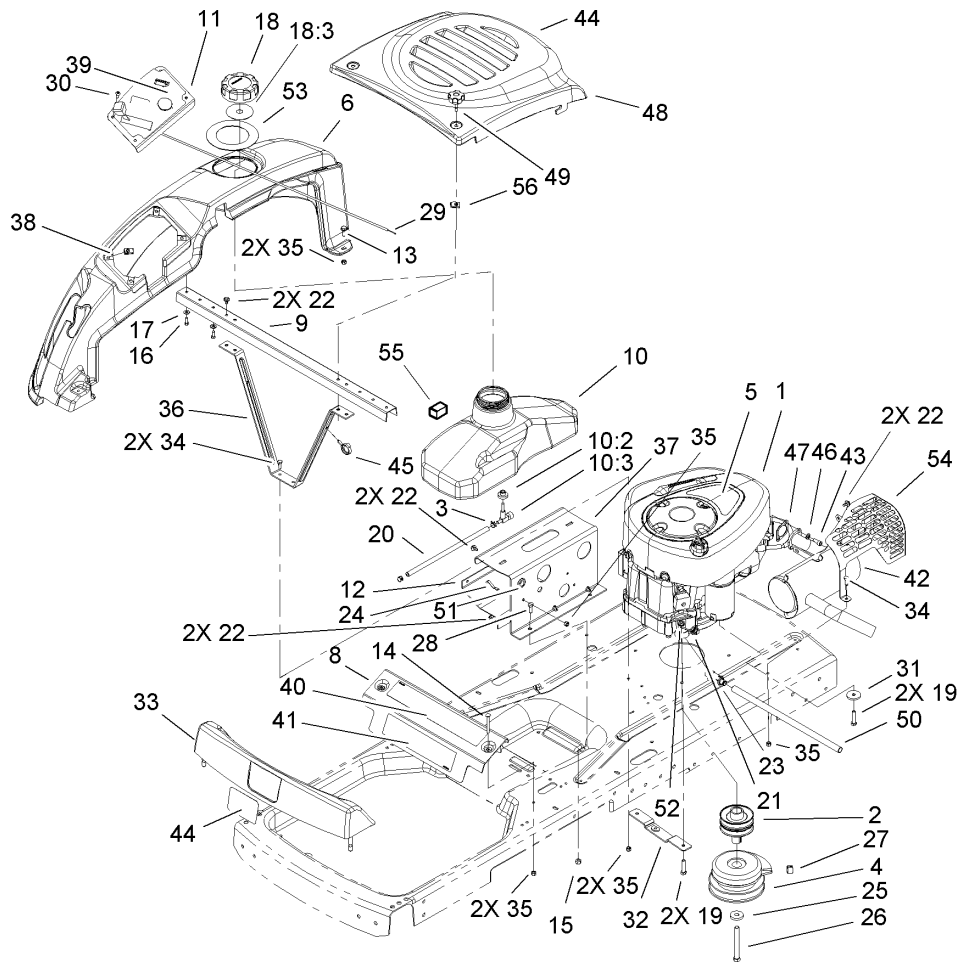
Ref	Part No.	Qty.	Description
22	32128-25	12	Nut-HF
23	5-4460	2	Washer-Pivot
24	88-4230	2	Trunnion-HOC
25	7-0030	2	Bolt-Shoulder
26	3229-1	2	Screw-CARR
27	3256-25	2	Washer-Flat
28	3296-38	2	Nut-Lock, NI
29	107-2484-03	1	Baffle-Rear
30	79-1640-03	1	Baffle ASM
31	3296-39	5	Nut-Lock, NI
32	322-2	9	Screw-HH
33	3219-4	2	Nut-Hex
34	88-4430	1	Cover-Recycler
35	32111-7	2	Nut-Cap
36	321-55	2	Screw-HH
37	76-2160	4	Plate-Kicker
38	32144-111	8	Screw-PPH
39	106-8704-01	1	Bracket-Wheel, Gage (Front, RH)
40	107-1717-01	1	Bracket-Wheel, Gage (Front, LH)
41	701756	2	Wheel-Gage
42	56-6591	2	Bolt-Wheel
44	106-8745	1	O-Ring
45	3256-4	8	Washer-Flat
46	79-1600-03	1	Baffle ASM



Engine and Styling Assembly

Ref	Part No.	Qty.	Description
1		1	Engine-Briggs And Stratton, 280H07-0166-E1
2	105-3472	1	Pulley-Engine
3	2412-98	2	Clamp
4	104-3334	1	Clutch-Electric
5	106-2187	1	Decal-Engine, 14 Hp
6	106-2161	1	Cover-Side, RH
7	106-2162	1	Cover-Side, LH
8	106-2164-03	1	Bracket-Support, Front
9	106-2165-03	1	Bracket-Support, Rear
10	105-3464	1	Gas Tank ASM
10:2	46-6560	1	Bushing
10:3	104048	1	Valve-Fuel
11	106-2167-03	1	Panel-Control
12	105-3453-03	1	Plate-Support
13	11-9030	2	Screw-Shoulder
14	3229-7	2	Screw-CARR
15	3296-29	2	Nut-Lock, NI
16	46-8090	4	Screw-Plastite
17	3256-22	4	Washer-Flat
18	88-3980	1	Gas Cap ASM
18:3	88-4010	1	Gasket-Cap, Gas
19	322-7	4	Screw-HH
20	106-8720	1	Hose-Fuel

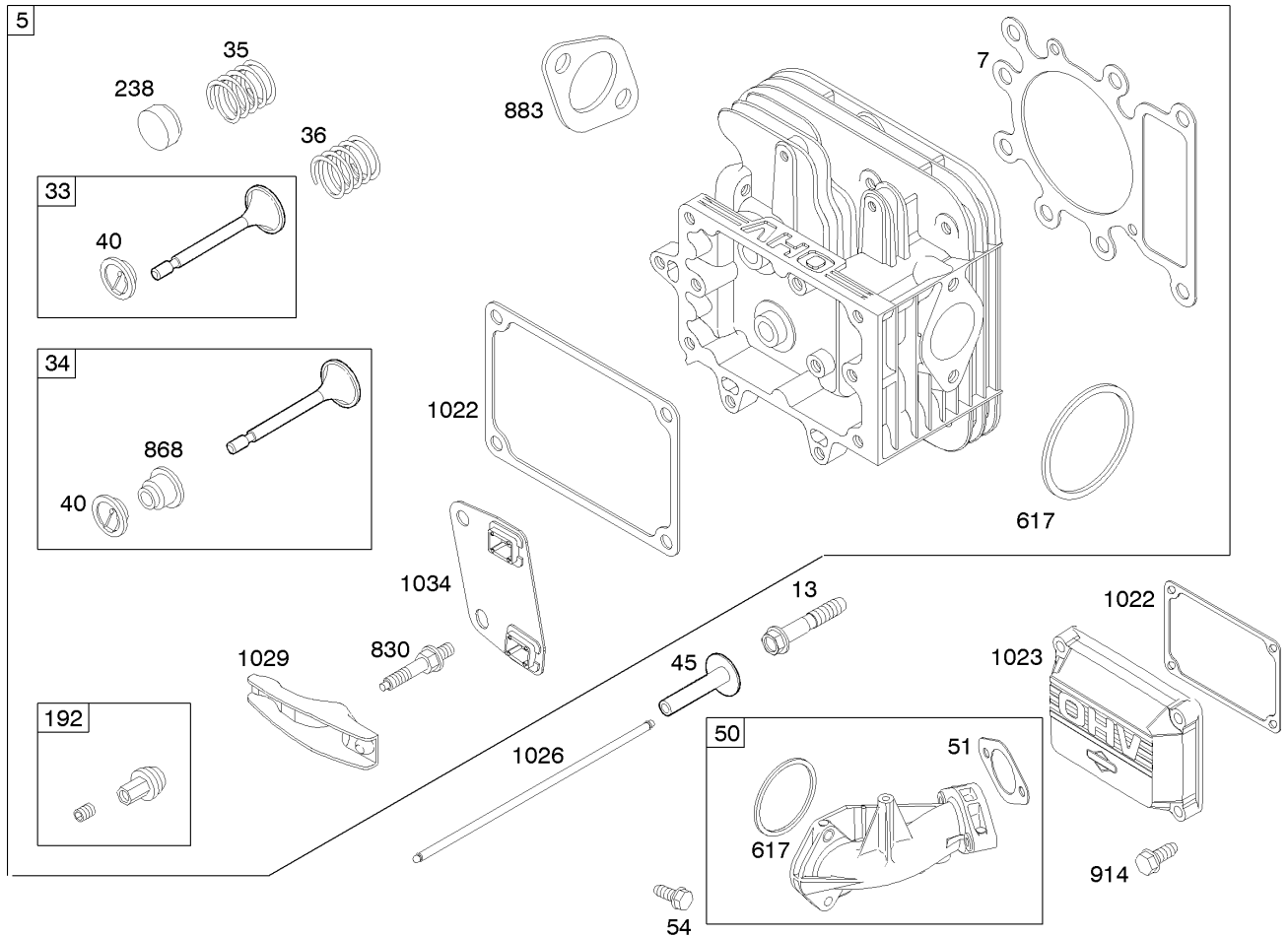
Ref	Part No.	Qty.	Description
21	88-4490	1	Reducer-Throttle, Rpm
22	46-8560	8	Screw-HHF
23	92-6877	1	Valve-Drain, Oil
24	609830	2	Spring
25	112843	1	Washer
26	3212-16	1	Screw-HH
27	98-5023	1	Bumper
28	322-4	2	Screw-HH
29	104-3626	1	Cable-Throttle
30	3258-166	4	Screw-PRH
31	62-7190	2	Spacer-Steel
32	106-2156	1	Plate-Mount, Idler
33	105-6965	1	Footrest ASM
34	321-4	3	Screw-HH
35	3296-42	7	Nut-Lock, NI
36	106-6994-03	1	Brace ASM
37	107-2485-03	1	Plate-Tank
38	107069	4	Clip
39	106-2224	1	Decal-Control
40	107-2514	1	Decal-Danger
41	106-6990	1	Decal-14-38Z
42	106-7007	1	Muffler
43	3274-10	2	Screw-HSH
44	105-6971	2	Decal



Engine and Styling Assembly (continued)

Ref	Part No.	Qty.	Description
45	105-1853	2	Clamp-Hose
46	3253-4	2	Washer-Lock
47	88-4410	1	Gasket-Muffler
48	106-2163	1	Cover-Hood
49	106-7017	2	Knob
50	106-7022	1	Tube-Drain, Oil
51	237-124	1	Grommet
52	32128-25	4	Nut-HF
53	106-7042	1	Seal-Rubber
54	106-7028-03	1	Guard-Muffler
55	104-2488	2	Foam-Switch, Seat
56	106-8737	2	Nut-Retainer

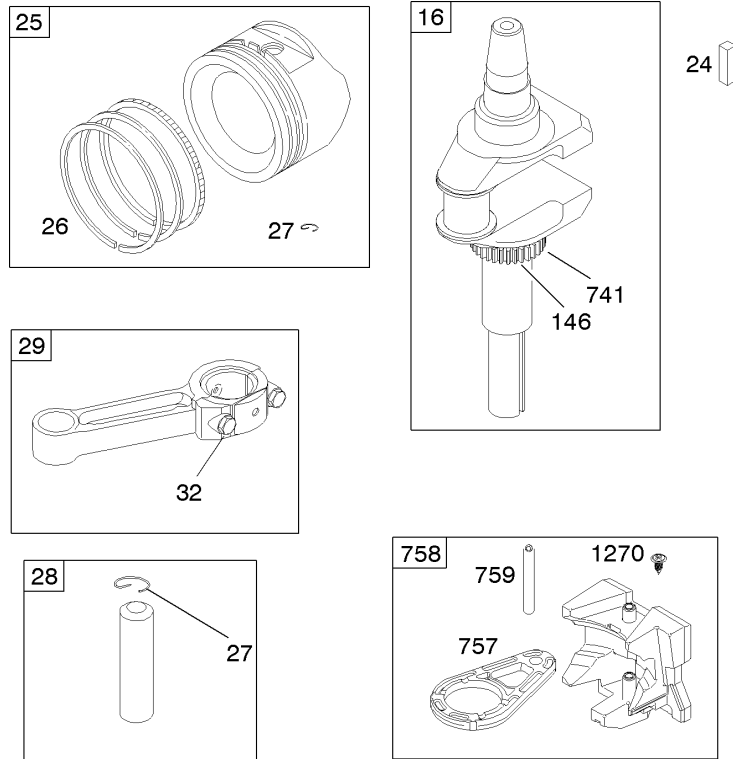
--	--	--	--



Cylinder Head Assembly Briggs and Stratton 280h07-0166-e1

Ref	Part No.	Qty.	Description
75	698148	1	Head-Cylinder
3 77	273280	1	Gasket-Head, Cylinder
7 13	690360	1	Screw
7 33	695760	1	Valve-Exhaust
7 34	695761	1	Valve-Intake
7 35	691279	1	Spring-Valve
7 36	691279	1	Spring-Valve
7 40	691752	1	Retainer-Valve
7 45	690564	1	Tappet-Valve
7 50	690193	1	Manifold-Intake
3 4 51	692137	1	Gasket-Intake
3 6			
7 54	691148	1	Screw
7 192	691986	1	Adjustor-Arm, Rocker
7 238	691843	1	Cap-Valve
3 5 617	692138	1	Seal-O Ring
7			
7 830	691095	1	Stud-Arm, Rocker
3 4 868	690968	1	Seal-Valve
7			
7 883	692236	1	Gasket-Exhaust
7 914	690960	1	Screw
3 7 1022	272475	1	Gasket-Cover, Rocker
7 1023	692492	1	Cover-Rocker

Ref	Part No.	Qty.	Description
7 1026	692003	1	Rod-Push
1 7	692011	1	Rod-Push
7 1029	691751	1	Arm-Rocker
7 1034	690822	1	Guide-Rod, Push

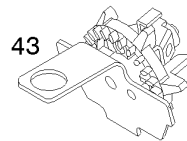
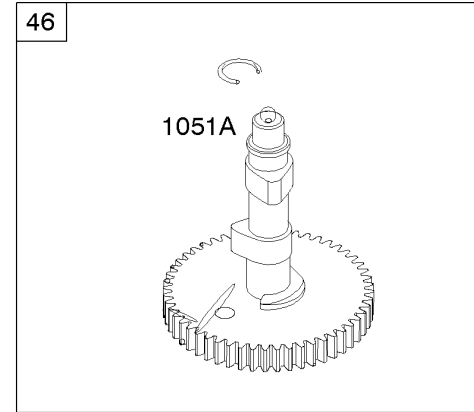
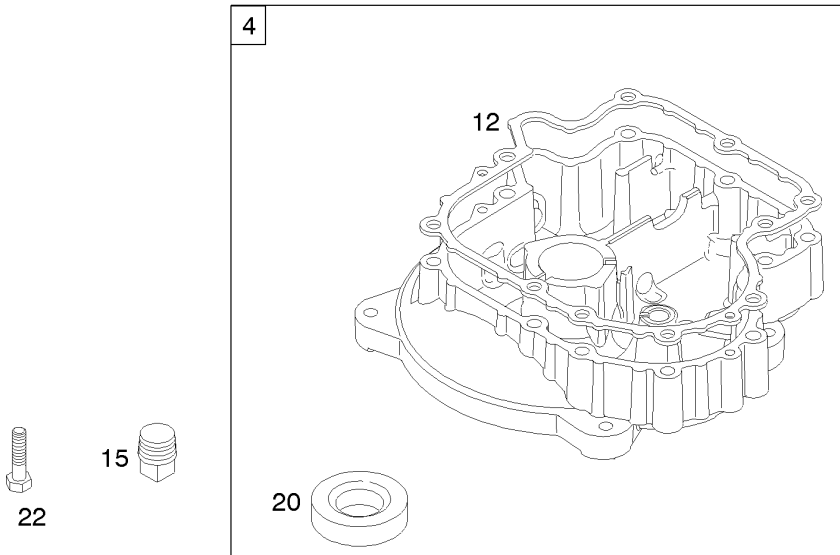


Assemblies include all parts shown in frames.

Crankshaft Assembly Briggs and Stratton 280h07-0166-e1

Ref	Part No.	Qty.	Description
16	697127	1	Crankshaft
24	222698	1	Key
25	698371	1	Piston ASM (Standard)
	698393	1	Piston ASM (.010 Oversize)
	698394	1	Piston ASM (.020 Oversize)
	698395	1	Piston ASM (.030 Oversize)
26	697375	1	Ring Set (Standard)
	698396	1	Ring Set (.010 Oversize)
	698397	1	Ring Set (.020 Oversize)
	698398	1	Ring Set (.030 Oversize)
27	698469	1	Lock-Pin, Piston
28	697099	1	Pin-Piston (STD)
29	697126	1	Rod-Connecting (Standard)
	697263	1	Rod-Connecting (.020In Undersize)
32	692852	1	Screw
146	691639	1	Key-Timing
741	697128	1	Gear-Timing
757	697607	1	Link-Counterweight
758	697134	1	Counterweight
759	697392	1	Pin-Counterweight
1270	697156	1	Plug-Counterweight, Avs

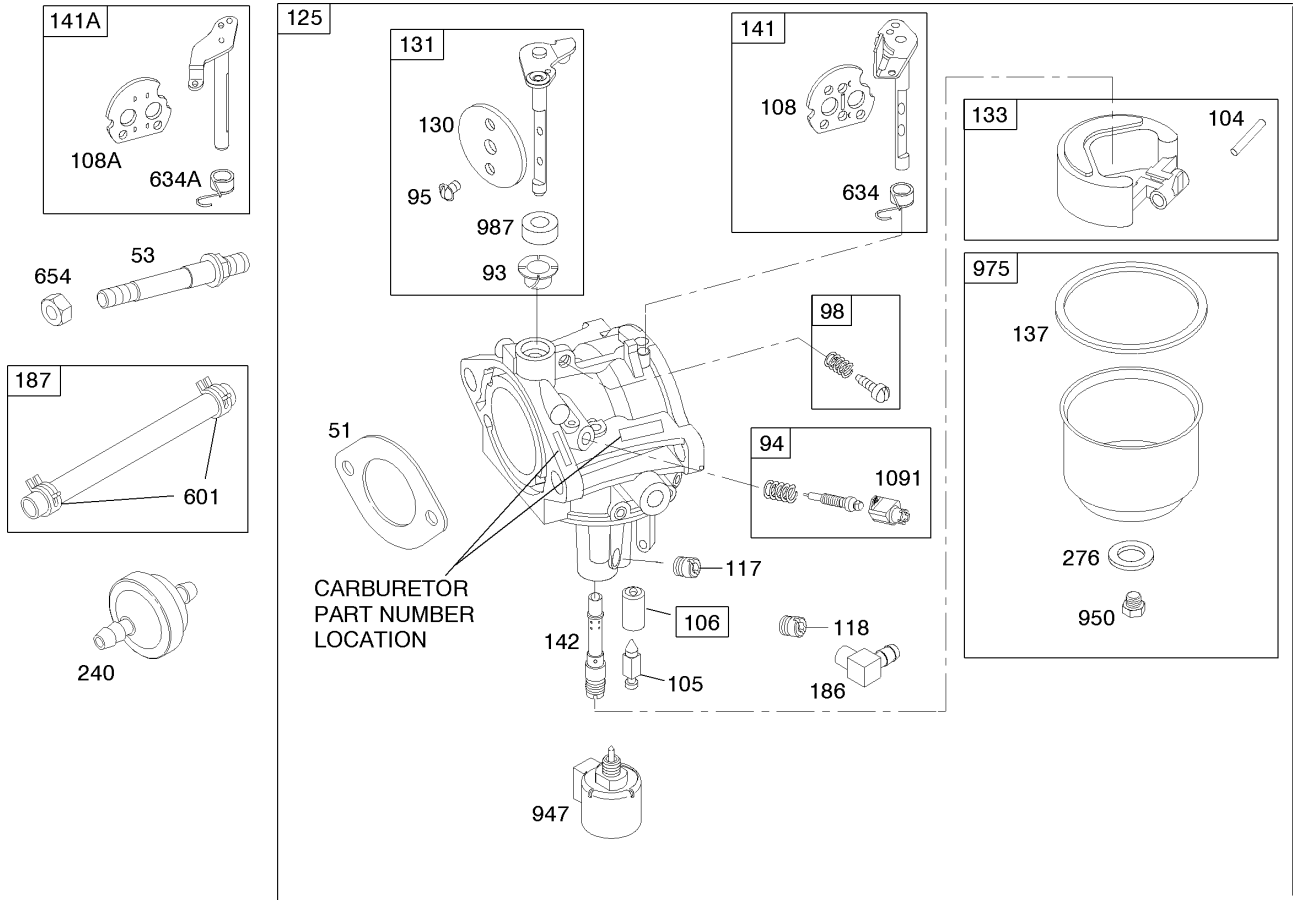
--	--	--	--



Assemblies include all parts shown in frames.

Crankcase Assembly Briggs and Stratton 280h07-0166-e1

Ref	Part No.	Qty.	Description
④	697106	1	Sump-Engine
③⑦12	697110	1	Gasket-Crankcase
⑦15	690946	1	Plug-Drain, Oil
③⑦20	690947	1	Seal-Oil
⑦22	692125	1	Screw
⑦43	691968	1	Slinger-Governor,Oil
⑦46	698577	1	Camshaft
⑦1051A	698802	1	Ring-Retaining

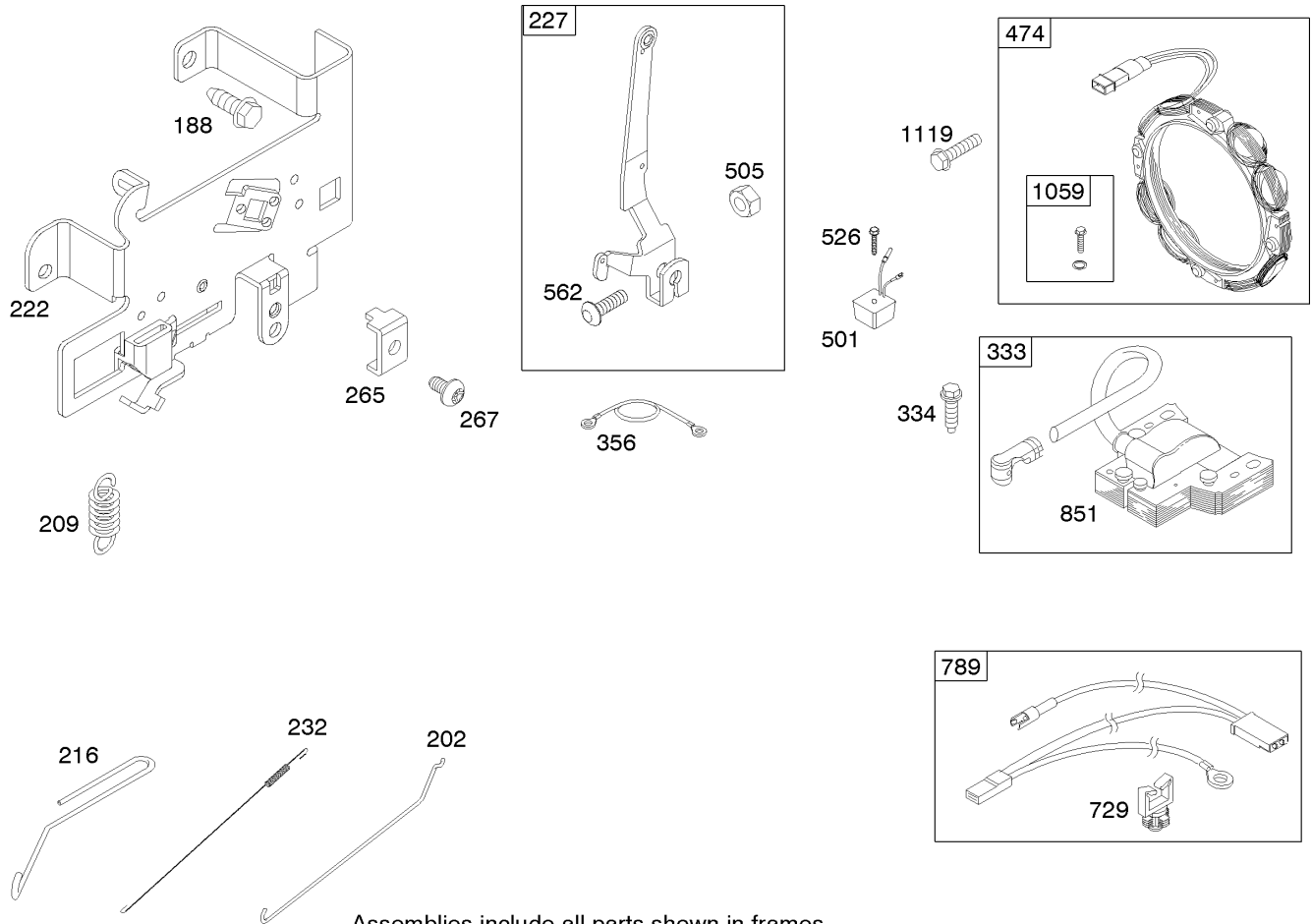


Assemblies include all parts shown in frames.

Carburetor Assembly Briggs and Stratton 280h07-0166-e1

Ref	Part No.	Qty.	Description
5 4 51	692137	1	Gasket-Intake
5 6			
7 53	690227	1	Stud
5 7 93	690602	1	Bushing-Shaft, Throttle
7 94	498030	1	Idle Mixture Kit
5 7 95	691636	1	Screw
7 98	495800	1	Idle Speed Kit
5 7 104	690525	1	Pin-Hinge, Carburetor Float
5 7 105	231855	1	Valve-Needle, Float
5 7 106	690577	1	Seat-Inlet
7 108	690464	1	Valve-Choke
7 108A	692344	1	Valve-Choke
5 7 117	694352	1	Jet-Main (STD)
7 118	697228	1	Jet-Main (High Altitude)
7 125	697190	1	Carburetor
7 130	691750	1	Valve-Throttle
7 131	494379	1	Throttle Shaft Kit
7 133	494381	1	Float-Carburetor
5 6 137	281165	1	Gasket-Bowl, Float
7			
7 141	495097	1	Choke Shaft Kit
7 141A	495931	1	Choke Shaft Kit
5 7 142	697140	1	Nozzle-Carburetor
7 186	692317	1	Connector-Hose

Ref	Part No.	Qty.	Description
7 187	697098	1	Line-Fuel
7 240	394358	1	Filter-Fuel
5 6 276	692255	1	Washer-Sealing
7			
7 601	95162	1	Clamp-Hose
5 7 634	690801	1	Spring / Seal ASM
5 7 634A	690802	1	Spring And Seal ASM
7 654	690958	1	Nut
7 947	694393	1	Solenoid-Fuel
7 950	691657	1	Screw
7 975	495933	1	Bowl-Float
5 7 987	691326	1	Seal-Shaft, Throttle
7 1091	691333	1	Cap-Limiter

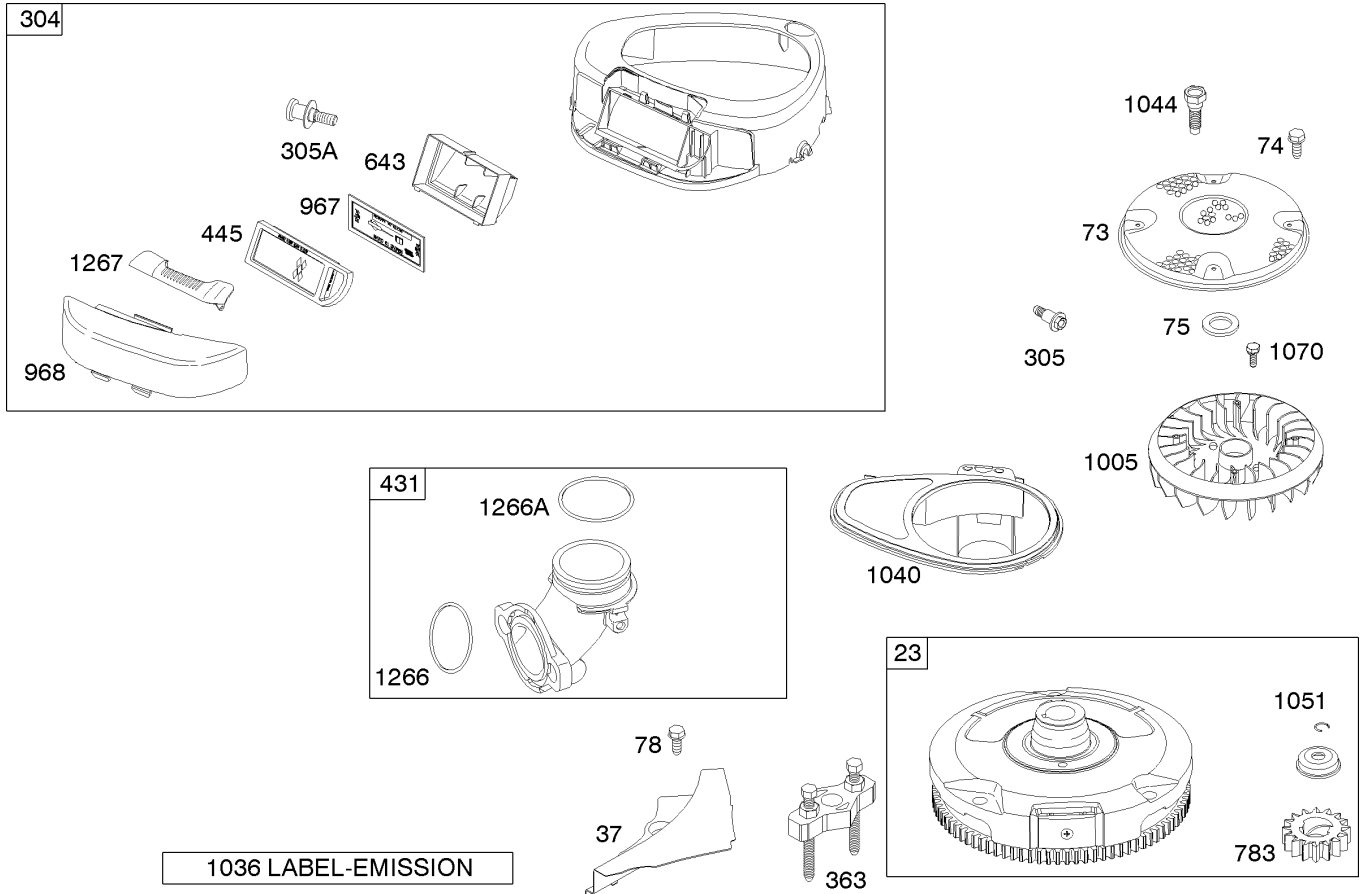


Assemblies include all parts shown in frames.

Governor Assembly Briggs and Stratton 280h07-0166-e1

Ref	Part No.	Qty.	Description
188	691693	1	Screw
202	691841	1	Link-Governor, Mechanical
209	692208	1	Spring-Governor
216	691840	1	Link-Choke
222	694042	1	Bracket-Control
227	691374	1	Lever-Control, Governor
232	691842	1	Spring-Link, Governor
265	691024	1	Clamp-Casing
267	695134	1	Screw
333	492341	1	Armature-Magneto
334	691061	1	Screw
356	697089	1	Stop-Wire
474	696457	1	Alternator
	696458	1	Alternator
501	691188	1	Regulator
501	691185	1	Regulator
505	691251	1	Nut
526	697088	1	Screw
	697348	1	Screw
562	691119	1	Screw
729	691335	1	Clip-Wire
789	692037	1	Wiring-Harness
851	692424	1	Terminal-Spark Plug
1059	698516	1	Screw And Washer Kit

Ref	Part No.	Qty.	Description
1119	691183	1	Screw



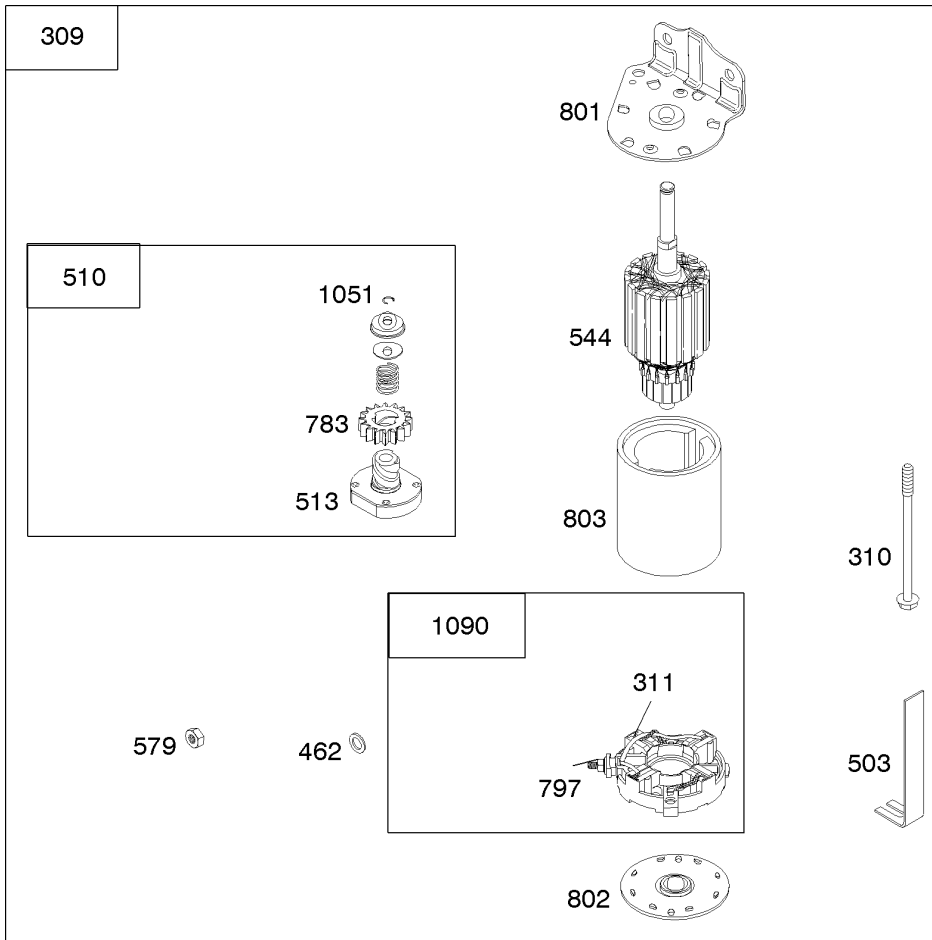
1036 LABEL-EMISSION

Assemblies include all parts shown in frames.

Blower Housing Assembly Briggs and Stratton 280h07-0166-e1

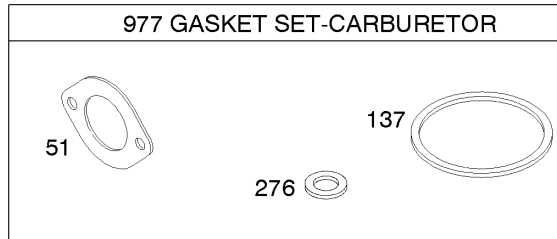
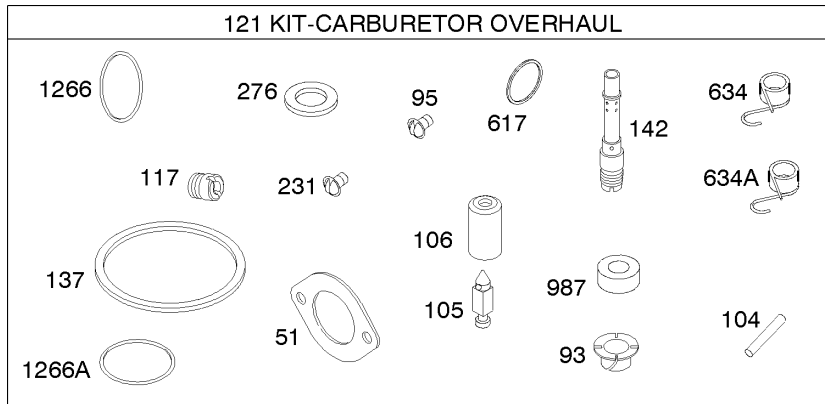
Ref	Part No.	Qty.	Description
23	693556	1	Flywheel
37	697352	1	Guard-Flywheel
73	697384	1	Screen-Rotating
74	697897	1	Screw
75	690582	1	Washer-Flywheel
78	691003	1	Screw
304	698599	1	Housing-Blower
305	697102	1	Screw
305A	697103	1	Screw
363	19203	1	Puller-Flywheel
431	697122	1	Elbow-Intake
445	698083	1	Filter-Cartridge, Air Cleaner
643	698401	1	Retainer-Filter, Air
783	693713	1	Gear-Pinion
967	697015	1	Filter-Cleaner, Pre
968	698403	1	Cover-Cleaner, Air
1005	697853	1	Fan-Flywheel
1036	695700	1	Label-Emission
1040	698368	1	Plate-Trim
1044	691658	1	Screw-Crankshaft Extension
1051	691265	1	Ring-Retaining
1070	690372	1	Screw
1266	691917	1	Seal-O Ring
1266A	697123	1	Seal-O Ring

Ref	Part No.	Qty.	Description
1267	697419	1	Latch-Housing, Blower



Starter Assembly Briggs and Stratton 280h07-0166-e1

Ref	Part No.	Qty.	Description
309	693551	1	Motor-Starter
310	690323	1	Bolt
311	497608	1	Brush Set
462	691261	1	Washer
503	691532	1	Strap-Starter
510	693699	1	Drive-Starter
513	692024	1	Clutch-Drive
544	692034	1	Armature-Starter
579	691029	1	Nut
697	690372	1	Screw
729A	691224	1	Clip-Wire
729B	694123	1	Clip-Wire
783	693713	1	Gear-Pinion
797	693167	1	Nut
801	691283	1	Cap-Drive
802	691286	1	Cap-End
803	693757	1	Housing-Starter
1051	691265	1	Ring-Retaining
1090	691293	1	Retainer-Brush



Assemblies include all parts shown in frames.

Carburetor Overhaul Kit Assembly Briggs and Stratton Model 180h07-0166-e1

Ref	Part No.	Qty.	Description
51	692137	1	Gasket-Intake
93	690602	1	Bushing-Shaft, Throttle
95	691636	1	Screw
104	690525	1	Pin-Hinge, Carburetor Float
105	231855	1	Valve-Needle, Float
106	690577	1	Seat-Inlet
117	694352	1	Jet-Main (STD)
121	697154	1	Carburetor Overhaul Kit
137	281165	1	Gasket-Bowl, Float
142	697140	1	Nozzle-Carburetor
231	691636	1	Screw
276	692255	1	Washer-Sealing
617	692138	1	Seal-O Ring
634	690801	1	Spring / Seal ASM
634A	690802	1	Spring And Seal ASM
977	690192	1	Carburetor Gasket Set
987	691326	0	Seal-Shaft, Throttle
1266	691917	0	Seal-O Ring
1266A	697123	1	Seal-O Ring

--	--	--	--

