



Groundsmaster[®] 3280-D Traction Unit

Model No. 30344 - 270000601 and up.

Parts Catalog

Ordering Replacement Parts

To order replacement parts, please supply the part number, the quantity, and the description of each part desired.

Understanding Reference Numbers

Each identified part in an illustration has a reference number. The reference number for a part also appears in the parts list, along with other information about the part.

This catalog uses two special reference number formats, one to indicate parts in a service assembly and another to indicate the quantity of a given part in an illustration.

Service Assembly Reference Numbers

Parts in service assemblies have reference numbers in the form a:b. The a represents the reference number of the entire service assembly and the b represents a sequential number unique to each part within the service assembly.

For example, a wheel assembly might be identified by reference number 6, the tire by 6:1, the valve by 6:2, and the wheel by 6:3. When you order the assembly identified by reference number 6, you receive all parts identified by reference numbers 6:1, 6:2, and 6:3. However, you may also order any part individually. Reference numbers of this type appear in illustrations and in part lists.

Reference Numbers Indicating Quantity

In an illustration, if a reference number indicates more than one part, the reference number has the form nX y. The n represents the quantity of the part, the X is the multiplication symbol, and the y represents the reference number.

For example, in an illustration, the reference number 2X 37 means that two of the parts identified by reference number 37 are indicated.

Contents

| Description | Page | Description | Page |
|--|-------------|---|-------------|
| Frame and Hood Assembly | 4 | Engine Assembly No. 2 | 33 |
| Frame Assembly No. 108-2010 | 5 | Crankcase Assembly | 34 |
| Fuel Tank and Control Panel Assembly | 6 | Oil Pan Assembly | 35 |
| Power Steering Assembly | 8 | Cylinder Head Assembly | 36 |
| Traction Pedal Assembly | 9 | Gear Case Assembly | 37 |
| Brake Pedal Assembly | 10 | Head Cover Assembly | 38 |
| Battery and Engine Mount Assembly | 11 | Dipstick and Guide Assembly | 39 |
| Power-Take-Off and Shaft Assembly | 12 | Main Bearing Case Assembly | 40 |
| Hydraulic Cylinder and Lift Arm Assembly | 13 | Camshaft and Idle Gear Shaft Assembly | 41 |
| Hydraulic Valve Assembly No. 114-2877 | 14 | Piston and Crankshaft Assembly | 42 |
| Hydraulic Manifold Assembly No. 114-2863 | 15 | Flywheel Assembly | 43 |
| Radiator Assembly | 16 | Fuel Camshaft and Governor Shaft Assembly | 44 |
| Transmission Installation Assembly | 17 | Idle Apparatus Assembly | 45 |
| Center Section Assembly Transmission Assembly No. 108-1355 | 18 | Injection Pump Assembly | 46 |
| Neutral Return Arm Assembly Transmission Assembly No. 108-1355 | 20 | Governor Assembly | 47 |
| Fuel Delivery System Assembly | 21 | Speed Control Plate Assembly | 48 |
| Lower Control Panel Assembly | 22 | Nozzle Holder and Glow Plug Assembly | 49 |
| Rear Axle and Tire Assembly | 23 | Nozzle Holder Assembly | 50 |
| Rear Axle Assembly | 24 | Alternator and Pulley Assembly | 51 |
| Steering Cylinder Assembly No. 76-2070 | 25 | Alternator Components | 52 |
| Air Cleaner and Drive Coupling Assembly | 26 | Starter Assembly | 53 |
| Air Cleaner Assembly No. 104-3427 | 27 | Starter Component Assembly | 54 |
| Front Axle Assembly | 28 | Water Flange and Thermostat Assembly | 55 |
| Front Axle Assembly No. 108-6599-03 | 29 | Water Pump Assembly | 56 |
| Right and Left Hand Brake Assembly | 31 | Valve and Rocker Arm Assembly | 57 |
| Engine Assembly No. 1 | 32 | Inlet Manifold Assembly | 58 |
| | | Muffler Gasket and Operator Manual | 59 |
| | | Upper and Lower Gasket Kits | 60 |
| | | Attachments and Accessories List | 61 |

Part Description Abbreviations

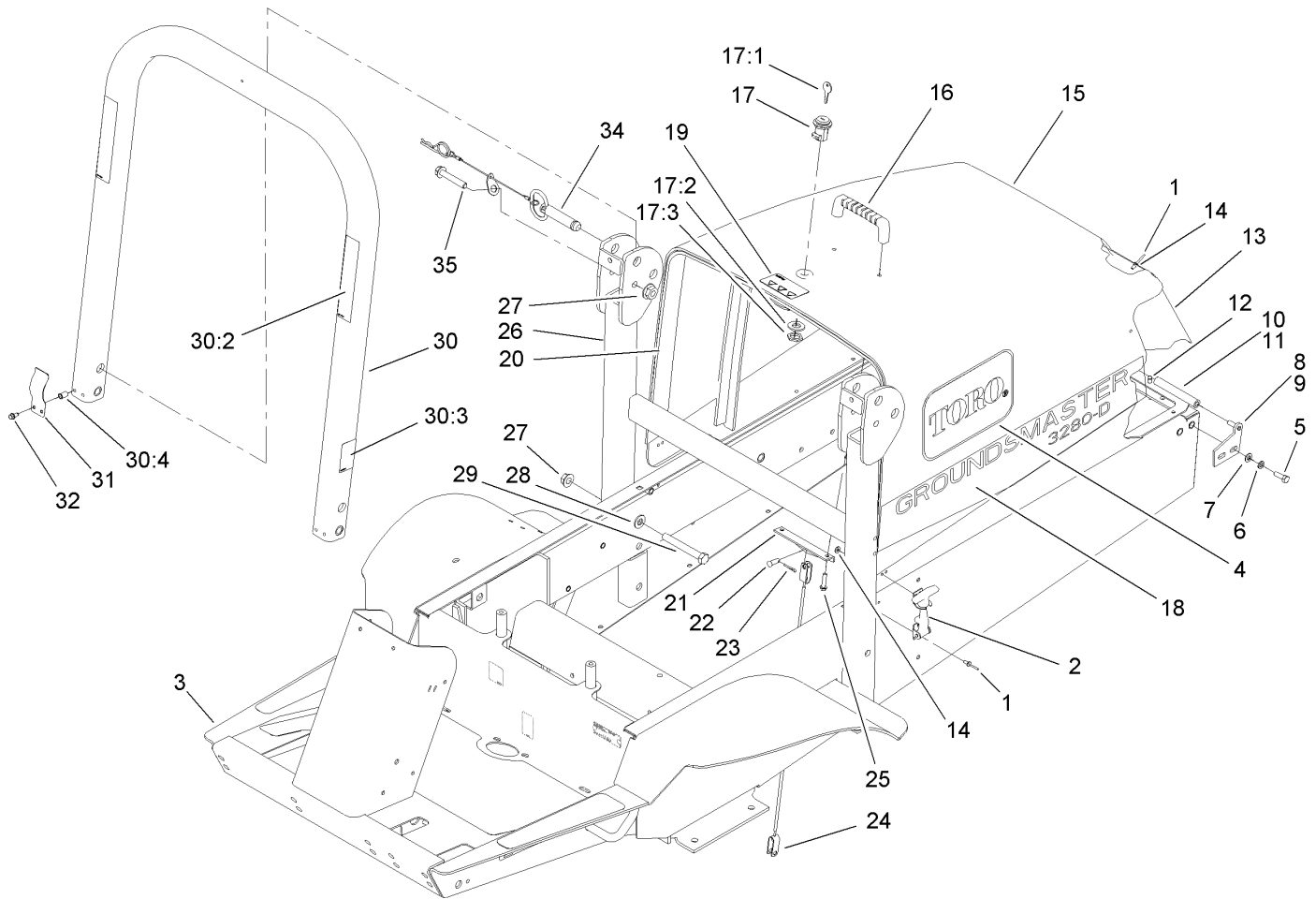
Part descriptions in this catalog may include the following abbreviations.

| | | | |
|-------------|--------------------------------|-------------|----------------------------------|
| AR. | as required | HYD. | hydraulic |
| ASM. | assembly | LH. | left hand |
| BBC. | blade brake clutch | NI. | nylon insert |
| CARR. | carriage | NPTF. | national pipe thread fine |
| DEG. | degrees | PFH. | phillips flat head |
| EXT. | external | PPH. | phillips pan head |
| FH. | flat head | PPHTF. | phillips pan head thread forming |
| GA. | gauge | PRH. | phillips round head |
| HD. | heavy-duty | PTH. | phillips truss head |
| HF. | hex flange | PTO. | power-take-off |
| HH. | hex head | RH. | right hand |
| HHF. | hex head flange | ROPS. | roll-over protection system |
| HHFTF. | hex head flange thread forming | SFH. | slotted fillister head |
| HJ. | hex jam | SHH. | slotted hex head |
| HLH. | hex lag head | SHWH. | slotted hex washer head |
| HOC. | height-of-cut | SPH. | slotted pan head |
| HSBH. | hex socket button head | SQH. | square head |
| HSFH. | hex socket flat head | SRH. | slotted round head |
| HSH. | hex socket head | STD. | standard |
| HWH. | hex washer head | TAP. | self tapping |
| HWHTF. | hex washer head thread forming | TTH. | torx truss head |

Footnotes

❶ Not illustrated

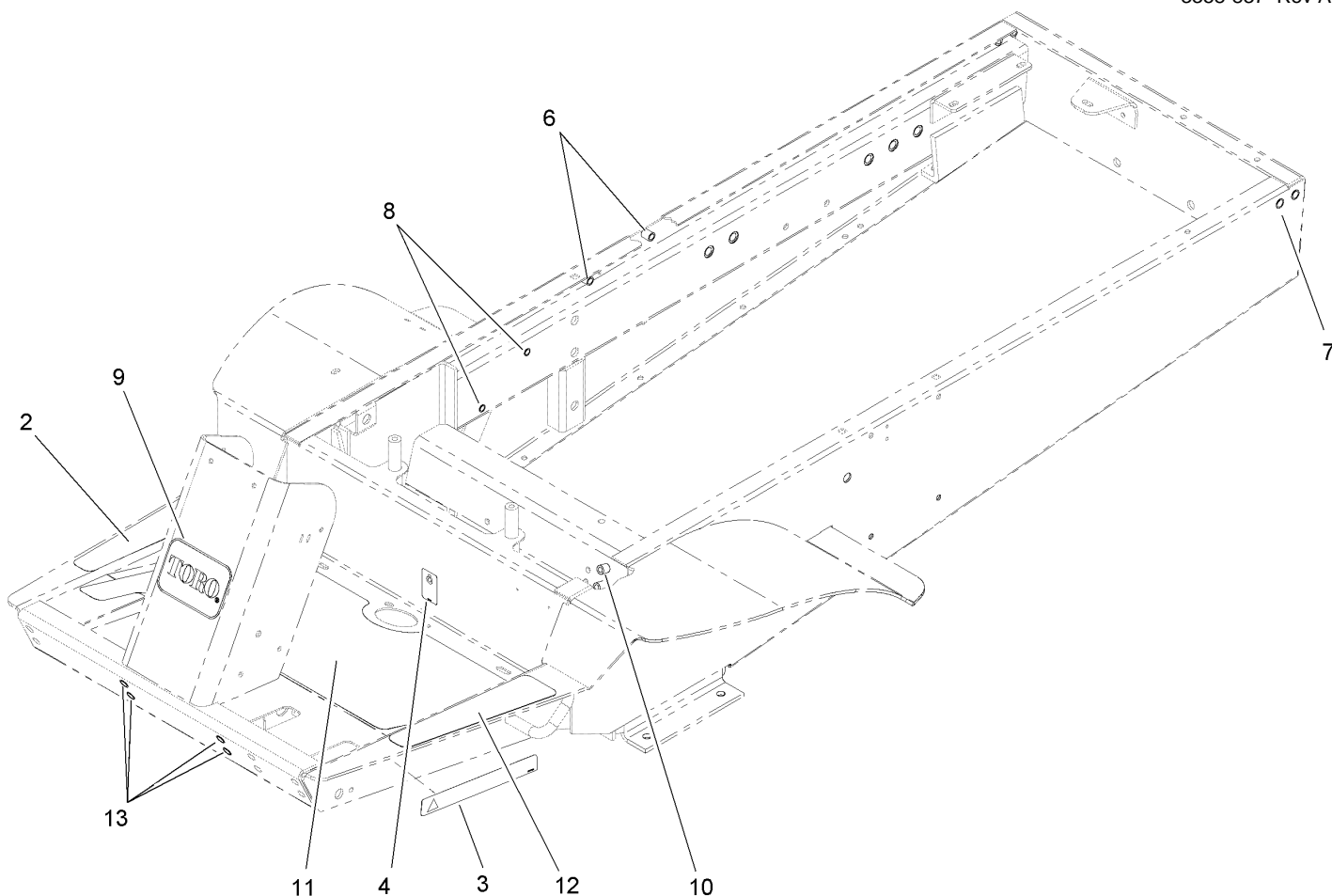
❷ Not serviced separately



Frame and Hood Assembly

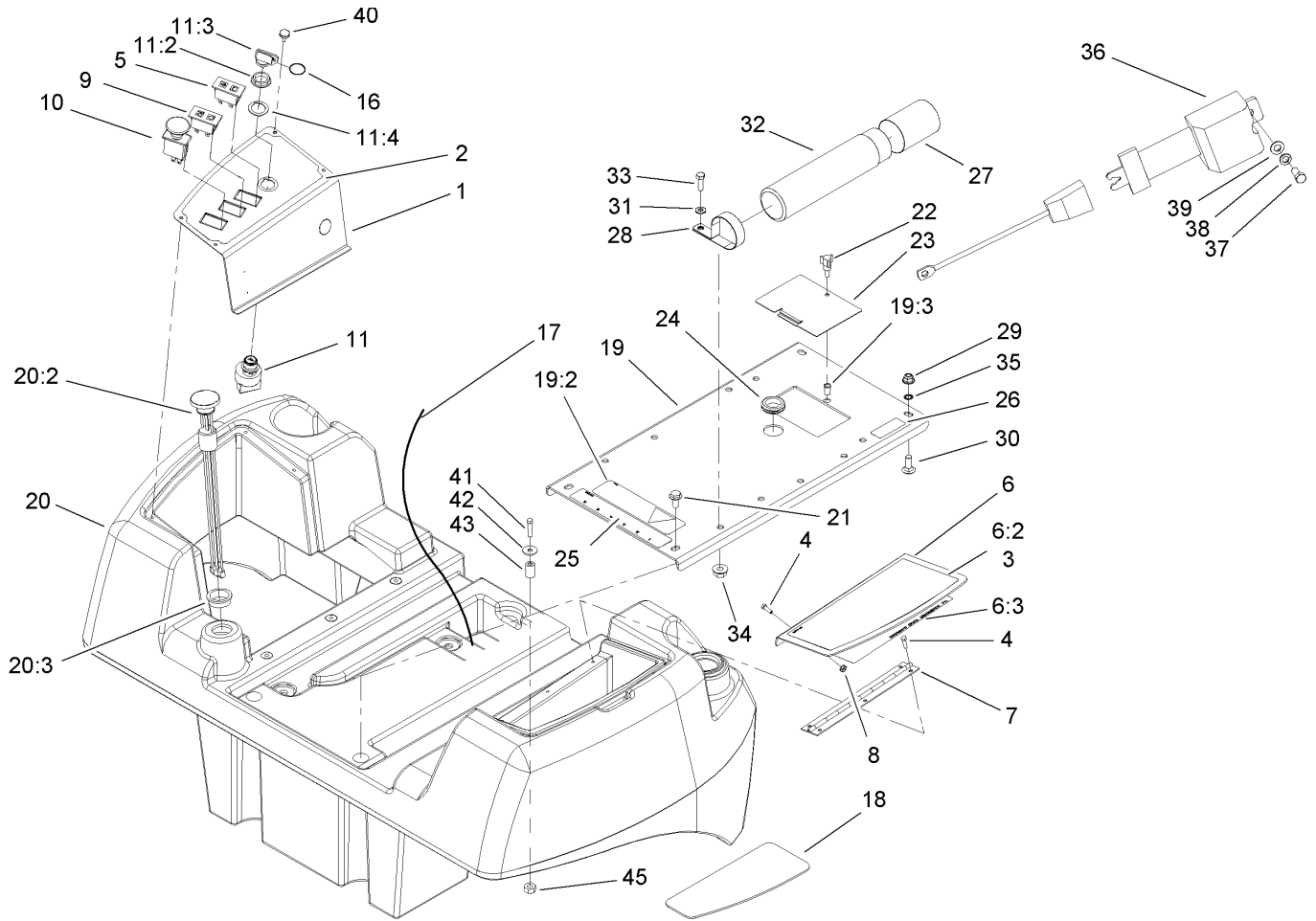
| Ref | Part No. | Qty. | Description |
|------|-------------|------|---------------------|
| 1 | 3269-4 | 18 | Rivet-Pop |
| 2 | 95-6339 | 2 | Latch |
| 3 | 108-2010 | 1 | Frame ASM |
| 4 | 66-6140 | 2 | Decal |
| 5 | 322-5 | 4 | Screw-HH |
| 6 | 3253-4 | 4 | Washer-Lock |
| 7 | 3256-23 | 4 | Washer-Flat |
| 8 | 105-0003-01 | 1 | RH Hinge Pin ASM |
| 9 | 105-0004-01 | 1 | LH Hinge Pin ASM |
| 10 | 105-4278-03 | 1 | LH Hood Hinge ASM |
| 11 | 105-4277-03 | 1 | RH Hood Hinge ASM |
| 12 | 3290-412 | 12 | Rivet |
| 13 | 105-0006-03 | 1 | Screen-Hood |
| 14 | 3256-14 | 14 | Washer-Flat |
| 15 | 104-3485 | 1 | Hood |
| 16 | 65-5100 | 1 | Handle-Door |
| 17 | 98-9315 | 1 | Latch-Locking |
| 17:1 | 99-8350 | 2 | Key-Latch, Locking |
| 17:2 | | 1 | Washer-Switch |
| 17:3 | | 1 | Nut-Switch |
| 18 | 108-2067 | 2 | Decal |
| 19 | 106-6754 | 1 | Decal-Danger |
| 20 | 105-3651 | 1 | Strip-Foam |
| 21 | 105-0088-03 | 1 | Bracket-Cable, Hood |

| Ref | Part No. | Qty. | Description |
|------|-------------|------|-------------------|
| 22 | 283-58 | 2 | Pin-Clevis |
| 23 | 3272-10 | 2 | Pin-Cotter |
| 24 | 105-3650 | 1 | Cable-Hood |
| 25 | 46-8092 | 2 | Screw-Plastite |
| 26 | 110-5693-03 | 1 | Lower ROPS ASM |
| 27 | 32128-23 | 6 | Nut-HF |
| 28 | 3256-26 | 4 | Washer-Flat |
| 29 | 325-18 | 4 | Screw-HH |
| 30 | 110-5690 | 1 | Upper ROPS ASM |
| 30:2 | 108-2073 | 2 | Decal-Warning |
| 30:3 | 108-2074 | 1 | Decal-ROPS |
| 30:4 | 32148-11 | 4 | Insert-Threaded |
| 31 | 110-5696 | 2 | Spring-Leaf |
| 32 | 32144-10 | 4 | Screw-HWH |
| 34 | 103-4553 | 2 | ROPS Fold Pin ASM |
| 35 | 325-13 | 2 | Screw-HH |



Frame Assembly No. 108-2010

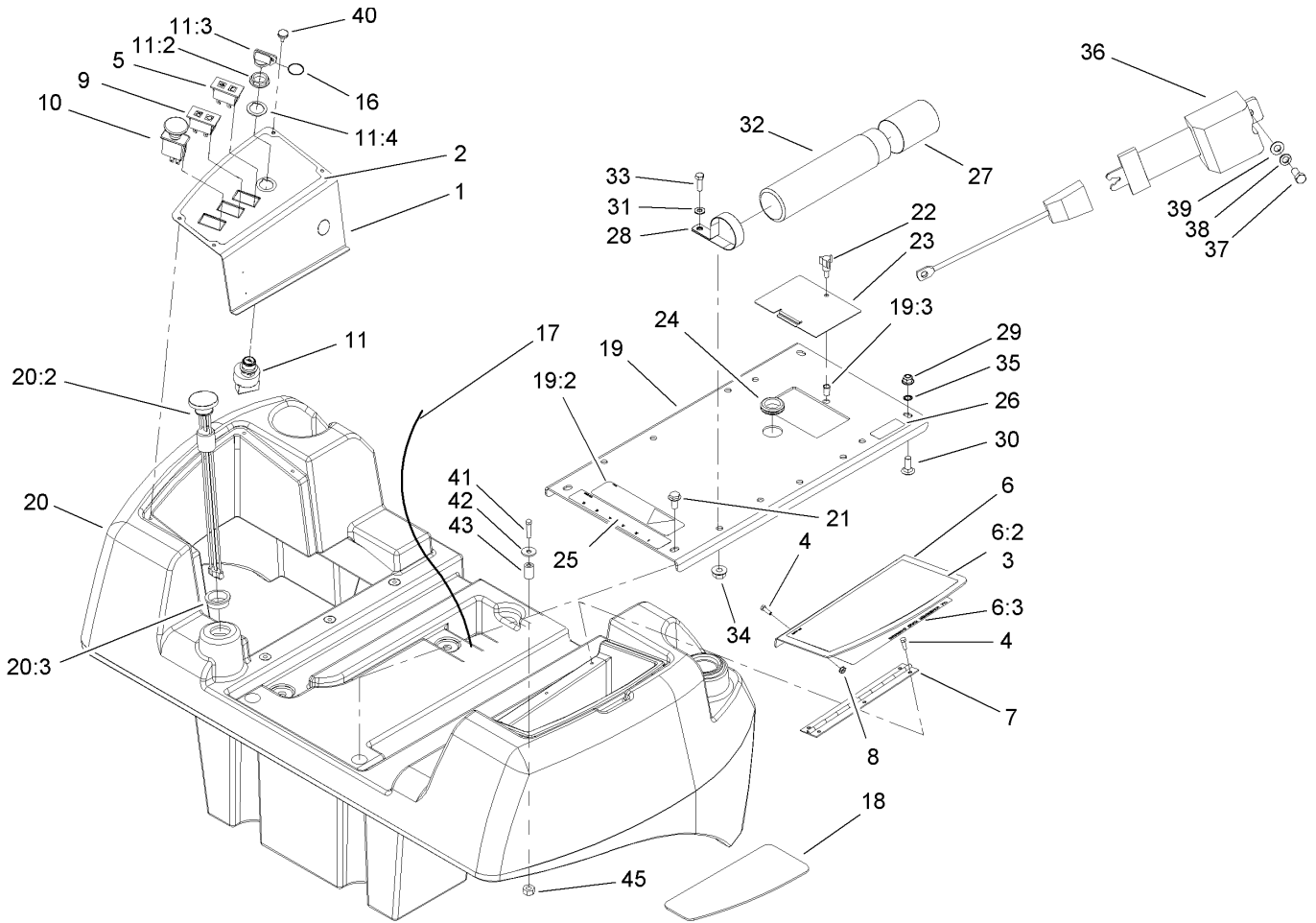
| Ref | Part No. | Qty. | Description |
|-----|----------|------|---------------------|
| 2 | 93-7834 | 1 | Decal-Footrest, RH |
| 3 | 106-9206 | 2 | Decal-Torque, Wheel |
| 4 | 93-6686 | 1 | Decal-Oil, HYD |
| 6 | 32148-9 | 2 | Insert-Nut |
| 7 | 32148-7 | 4 | Nut-Insert |
| 8 | 32148-11 | 2 | Insert-Threaded |
| 9 | 67-1300 | 1 | Decal |
| 10 | 32148-8 | 4 | Insert-Threaded |
| 11 | 105-7160 | 1 | Pad-Floor |
| 12 | 66-3200 | 1 | Tread-Footrest, LH |
| 13 | 32148-10 | 4 | Insert-Nut |



Fuel Tank and Control Panel Assembly

| Ref | Part No. | Qty. | Description |
|------|-------------|------|----------------------|
| 1 | 108-2017-03 | 1 | Plate-Panel, Control |
| 2 | 108-2018 | 1 | Decal-Panel, Control |
| 3 | 108-6585 | 1 | Decal-Danger |
| 4 | 112-6349 | 6 | Screw-HWH |
| 5 | 100-8070 | 1 | Lamp-Warning |
| 6 | 108-6581 | 1 | Cover ASM |
| 6:2 | 114-2855 | 1 | Decal-Danger |
| 6:3 | 108-6583 | 1 | Decal-Service |
| 7 | 108-2024 | 1 | Hinge |
| 8 | 32149-8 | 3 | Nut-Keps |
| 9 | 100-8071 | 1 | Lamp-Warning |
| 10 | 93-9999 | 1 | Switch-PTO |
| 11 | 106-5269 | 1 | Ignition Switch ASM |
| 11:2 | 108-8660 | 1 | Nut-Mounting |
| 11:3 | 106-5270 | 1 | Key Set-Ignition |
| 11:4 | 108-8659 | 1 | Washer-Backup |
| 16 | 98-9321 | 1 | Ring-Key |
| 17 | 108-8657 | 1 | Harness-Wire, Seat |
| 18 | 108-2013 | 1 | Pad-Rubber |
| 19 | 108-6580 | 1 | Seat Plate ASM |
| 19:2 | 93-7841 | 1 | Decal-Warning |
| 19:3 | 32148-6 | 1 | Insert-Nut |
| 20 | 108-6596 | 1 | Fuel Tank ASM |
| 20:2 | 108-2025 | 1 | Gauge-Fuel |

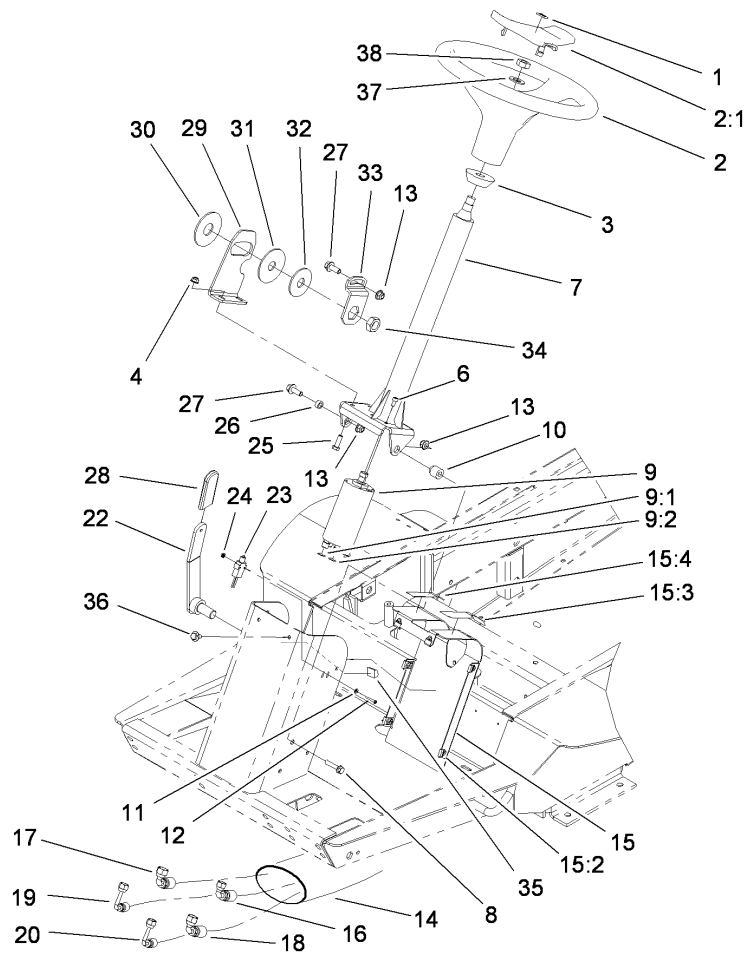
| Ref | Part No. | Qty. | Description |
|------|-------------|------|------------------------------|
| 20:3 | 95-8972 | 1 | Grommet |
| 21 | 3234-1 | 2 | Screw-HHF |
| 22 | 233-70 | 1 | Knob-Star, Three |
| 23 | 108-2027-03 | 1 | Cover-Bypass |
| 24 | 240-5 | 1 | Grommet-Rubber |
| 25 | 105-2511 | 1 | Decal-Instructions, Starting |
| 26 | 114-9600 | 1 | Decal-Low Sulfur |
| 27 | 104-7048 | 1 | Cap-Housing |
| 28 | 2412-133 | 2 | R-Clamp |
| 29 | 104-8301 | 2 | Nut-Flange, NI |
| 30 | 3231-2 | 2 | Screw-CARR |
| 31 | 3256-23 | 2 | Washer-Flat |
| 32 | 104-7050 | 1 | Housing-Manual |
| 33 | 322-5 | 2 | Screw-HH |
| 34 | 32128-20 | 2 | Nut-HF |
| 35 | 32151-72 | 2 | Ring-Retaining |
| 36 | 100-4928 | 1 | Belt-Seat |
| 37 | 3212-4 | 2 | Screw-HH |
| 38 | 3253-6 | 2 | Washer-Lock |
| 39 | 3256-25 | 2 | Washer-Flat |
| 40 | 108-8689 | 4 | Screw-Thumb |
| 41 | 321-9 | 1 | Screw-HH |
| 42 | 3256-55 | 1 | Washer-Flat |
| 43 | 108-9688 | 1 | Spacer |



Fuel Tank and Control Panel Assembly (continued)

| Ref | Part No. | Qty. | Description |
|-----|----------|------|--------------|
| 45 | 3296-42 | 1 | Nut-Lock, NI |

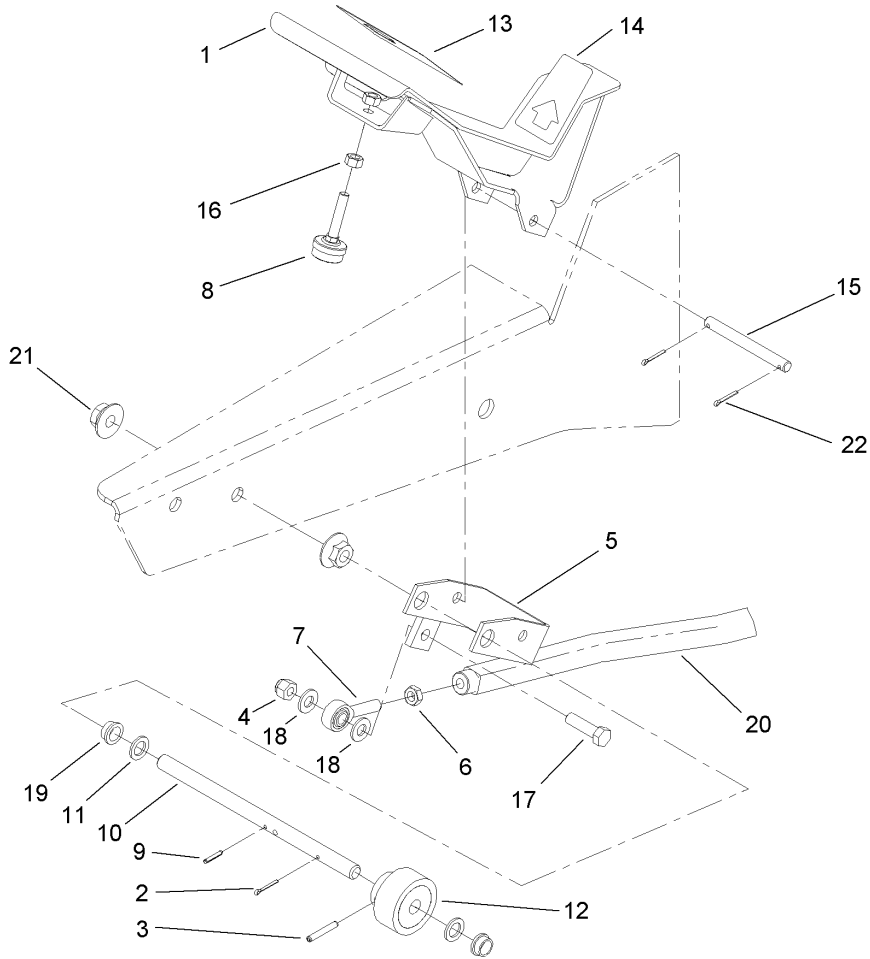
| | | | |
|--|--|--|--|
| | | | |
|--|--|--|--|



Power Steering Assembly

| Ref | Part No. | Qty. | Description |
|------|----------|------|-----------------------|
| 1 | 98-1459 | 1 | Decal |
| 2 | 98-1471 | 1 | Wheel-Steering |
| 2:1 | 98-1468 | 1 | Cover-Wheel, Steering |
| 3 | 21-9260 | 1 | Cover-Dust |
| 4 | 104-8300 | 2 | Nut-Flange, NI |
| 6 | 105-2409 | 4 | Screw-HSH |
| 7 | 114-2884 | 1 | Column ASM |
| 8 | 3234-18 | 1 | Screw-HHF |
| 9 | 108-2077 | 1 | Steering Valve ASM |
| 9:1 | 237-21 | 3 | O-Ring |
| 9:2 | 237-22 | 2 | O-Ring |
| 10 | 105-7166 | 1 | Spacer |
| 11 | 3256-53 | 2 | Washer-Flat |
| 12 | 3250-35 | 2 | Screw-PPH |
| 13 | 104-8301 | 3 | Nut-Flange, NI |
| 14 | 44-8530 | 1 | Protector-Sleeve |
| 15 | 105-7180 | 1 | Tower Panel ASM |
| 15:2 | 105-7170 | 6 | Nut-Retainer |
| 15:3 | 105-7179 | 1 | Decal-Brake, Parking |
| 15:4 | 82-8940 | 1 | Decal-Steering, Tilt |
| 16 | 108-2089 | 1 | Hose ASM |
| 17 | 108-2081 | 1 | Hose ASM |
| 18 | 108-2080 | 1 | Hose ASM |
| 19 | 108-2086 | 1 | Hose ASM |

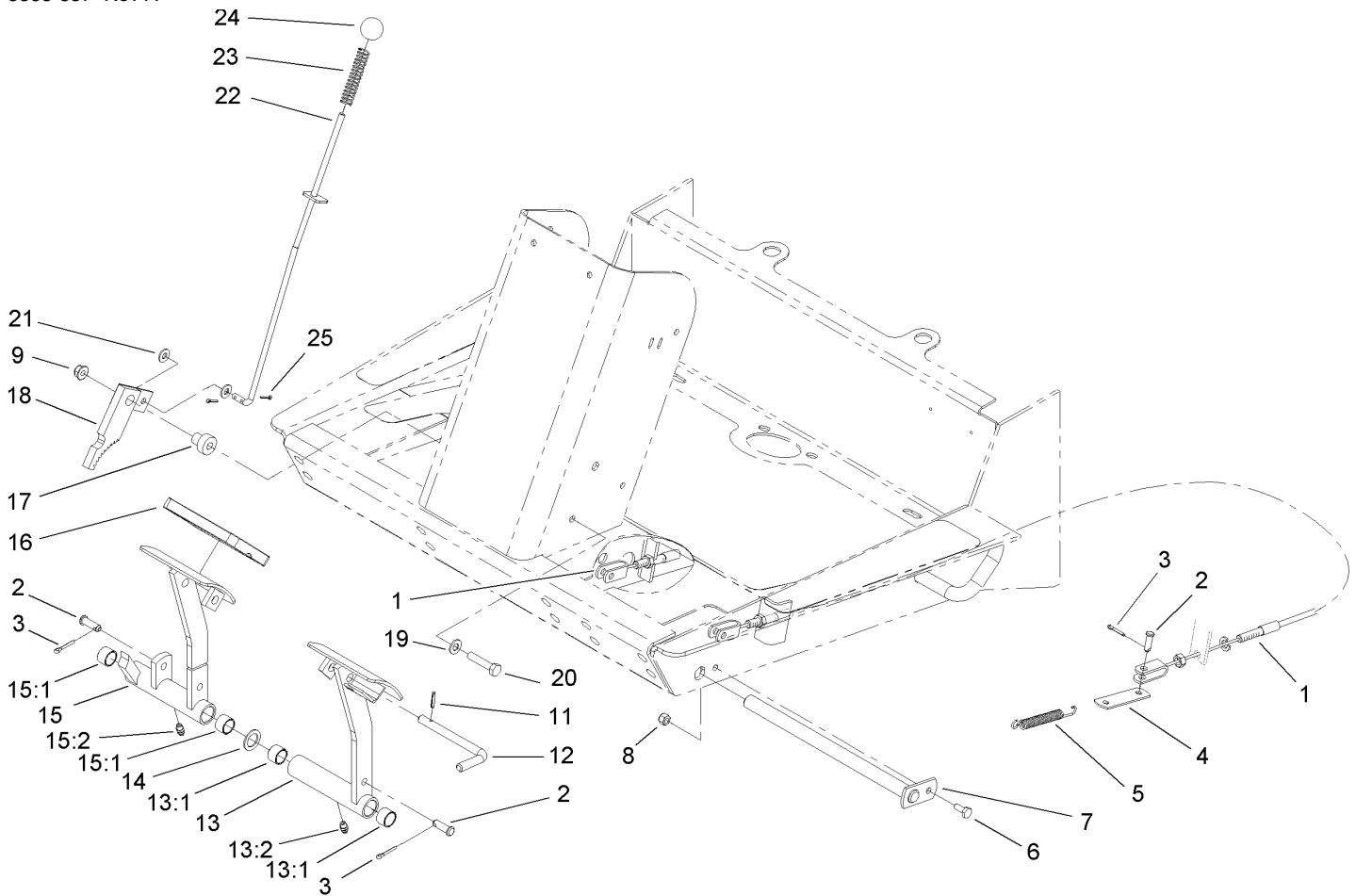
| Ref | Part No. | Qty. | Description |
|-----|-------------|------|---------------------|
| 20 | 108-2087 | 1 | Hose ASM |
| 22 | 108-6092 | 1 | Lever-Tilt Steering |
| 23 | 99-3410 | 1 | Switch |
| 24 | 32149-6 | 2 | Nut-Keps |
| 25 | 322-5 | 2 | Screw-HH |
| 26 | 80-2960 | 1 | Spacer-Tower |
| 27 | 3234-42 | 2 | Screw-HHF |
| 28 | 21-1880 | 1 | Grip-Handle |
| 29 | 105-7181-03 | 1 | Plate-Pivot |
| 30 | 31-0390 | 1 | Disc-Friction |
| 31 | 82-9010 | 1 | Disc-Friction |
| 32 | 80-2930 | 1 | Washer-Flat |
| 33 | 80-2880 | 1 | Bracket-Tilt |
| 34 | 3218-7 | 1 | Nut-Jam |
| 35 | 105-7188 | 2 | Clamp-Adhesive |
| 36 | 3250-32 | 6 | Screw-PPH |
| 37 | 3256-27 | 1 | Washer-Flat |
| 38 | 3296-33 | 1 | Nut-Lock, NI |



Traction Pedal Assembly

| Ref | Part No. | Qty. | Description |
|-----|-------------|------|-------------------------|
| 1 | 105-7150-03 | 1 | Pedal ASM |
| 2 | 3272-6 | 1 | Pin-Cotter |
| 3 | 32121-6 | 1 | Pin-Roll, Slotted |
| 4 | 3296-39 | 1 | Nut-Lock, NI |
| 5 | 92-8854-03 | 1 | Bracket-Pivot |
| 6 | 3220-3 | 1 | Nut-HJ |
| 7 | 2411-36 | 1 | Bearing-End, Rod |
| 8 | 32141-36 | 1 | Screw-Adjustment, Level |
| 9 | 32121-50 | 1 | Pin-Spring |
| 10 | 92-5534 | 1 | Shaft-Pedal, Traction |
| 11 | 5-7570 | 2 | Washer-Flat |
| 12 | 28-5220 | 1 | Friction Wheel ASM |
| 13 | 94-3307 | 1 | Pad-Pedal, Traction |
| 14 | 94-3308 | 1 | Pad-Pedal, Traction |
| 15 | 92-5537 | 1 | Pin-Pedal, Traction |
| 16 | 3217-6 | 2 | Nut-Hex |
| 17 | 323-29 | 1 | Screw-HH |
| 18 | 3256-24 | 2 | Washer-Flat |
| 19 | 256-156 | 2 | Bushing-Flange |
| 20 | 108-8661-03 | 1 | Traction Rod ASM |
| 21 | 32128-56 | 2 | Nut-HF |
| 22 | 3272-10 | 2 | Pin-Cotter |

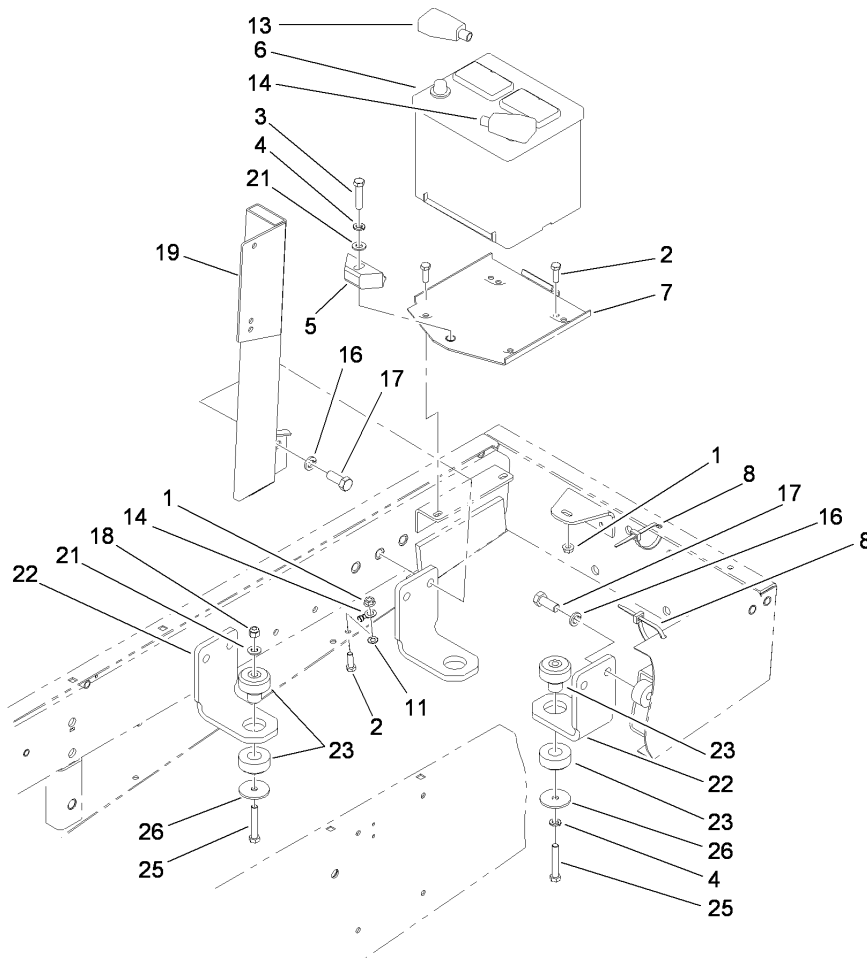
| | | | |
|--|--|--|--|
| | | | |
| | | | |
| | | | |
| | | | |



Brake Pedal Assembly

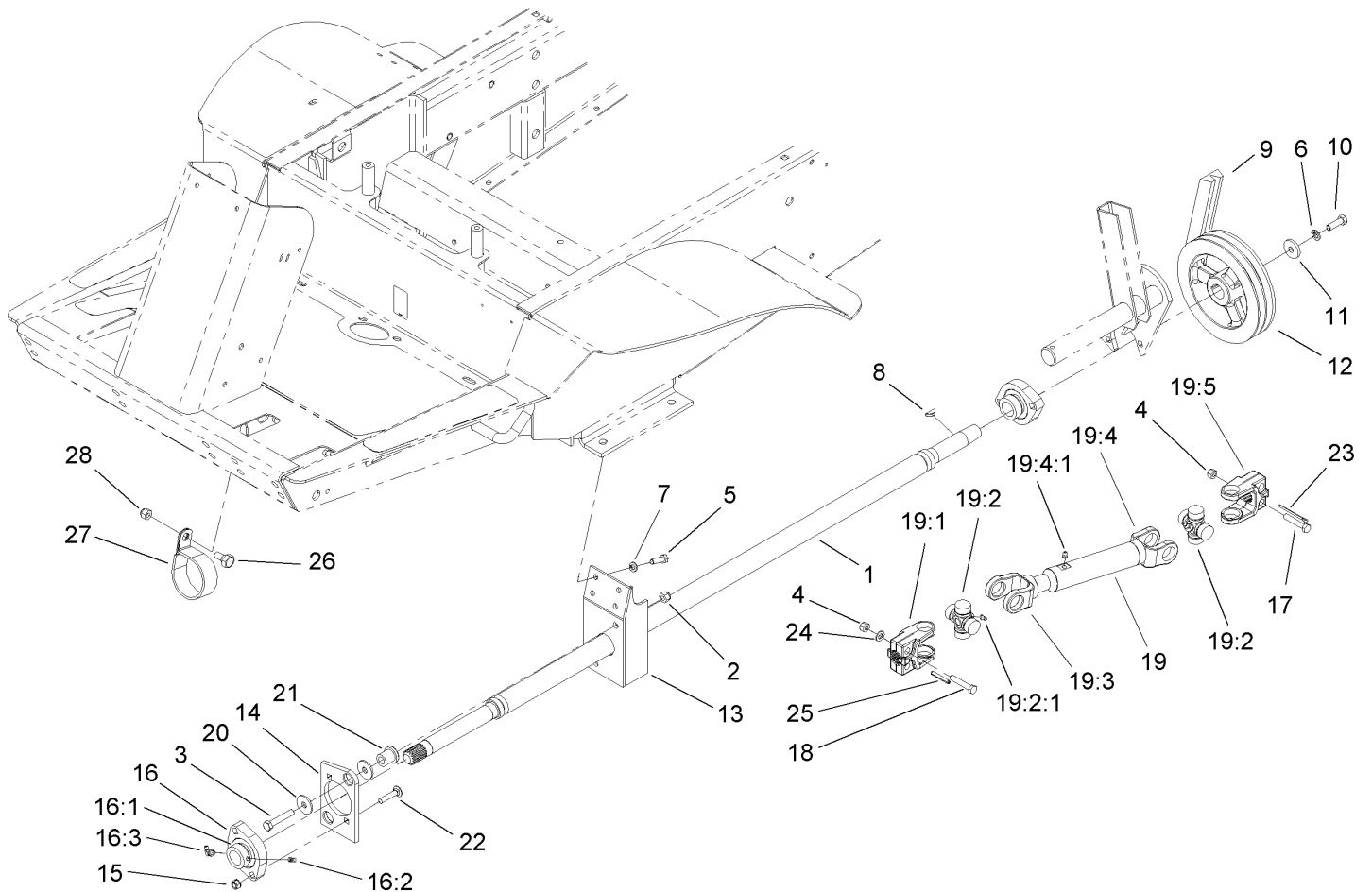
| Ref | Part No. | Qty. | Description |
|------|------------|------|-------------------|
| 1 | 108-6556 | 2 | Cable-Brake |
| 2 | 283-58 | 4 | Pin-Clevis |
| 3 | 3272-10 | 4 | Pin-Cotter |
| 4 | 63-6750 | 2 | Link-Cable, Brake |
| 5 | 3-7243 | 2 | Spring-Extension |
| 6 | 321-4 | 1 | Screw-HH |
| 7 | 63-6210-03 | 1 | Pin-Brake |
| 8 | 3296-42 | 1 | Nut-Lock, NI |
| 9 | 104-8300 | 1 | Nut-Flange, NI |
| 11 | 32121-50 | 1 | Pin-Spring |
| 12 | 63-7880 | 1 | Pin-Latch, Brake |
| 13 | 63-6180 | 1 | Pedal-Brake, LH |
| 13:1 | 256-42 | 2 | Bushing |
| 13:2 | 302-5 | 1 | Fitting-Grease |
| 14 | 3256-69 | 2 | Washer-Flat |
| 15 | 63-6190 | 1 | Pedal-Brake, RH |
| 15:1 | 256-42 | 2 | Bushing |
| 15:2 | 302-5 | 1 | Fitting-Grease |
| 16 | 93-8742 | 2 | Footpad-Brake |
| 17 | 105-7156 | 1 | Spacer |
| 18 | 63-7900-03 | 1 | Rack ASM |
| 19 | 3256-23 | 1 | Washer-Flat |
| 20 | 322-7 | 1 | Screw-HH |
| 21 | 3256-22 | 2 | Washer-Flat |

| Ref | Part No. | Qty. | Description |
|-----|----------|------|--------------------|
| 22 | 105-7168 | 1 | Rod ASM |
| 23 | 71-8310 | 1 | Spring-Compression |
| 24 | 233-17 | 1 | Knob |
| 25 | 3272-5 | 2 | Pin-Cotter |



Battery and Engine Mount Assembly

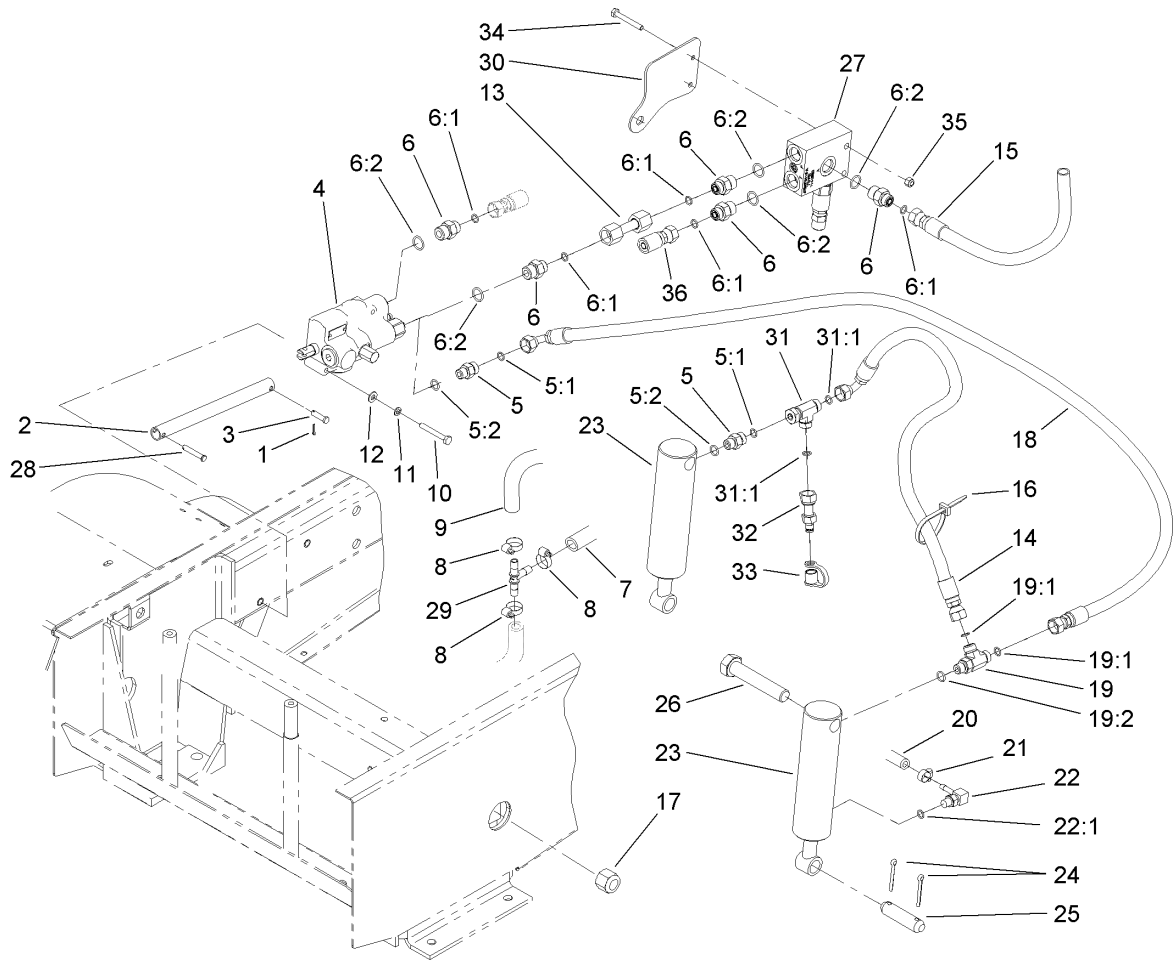
| Ref | Part No. | Qty. | Description |
|-----|-------------|------|-------------------------|
| 1 | 32128-20 | 4 | Nut-HF |
| 2 | 322-5 | 4 | Screw-HH |
| 3 | 323-9 | 1 | Screw-HH |
| 4 | 3253-21 | 2 | Washer-Lock |
| 5 | 66-2490 | 1 | Retainer-Battery |
| 6 | 106-5187 | 1 | Battery |
| 7 | 94-7343 | 1 | Battery Base ASM |
| 8 | 3290-378 | 2 | Tie-Cable |
| 11 | 3255-8 | 1 | Washer-Lock |
| 13 | 104-0086 | 1 | Cable-Battery, Positive |
| 14 | 105-0040 | 1 | Cable-Battery, Negative |
| 16 | 3253-7 | 8 | Washer-Lock |
| 17 | 3213-2 | 8 | Screw-HH |
| 18 | 3296-39 | 3 | Nut-Lock, NI |
| 19 | 105-2513-03 | 1 | Air Cleaner Mount ASM |
| 21 | 3256-24 | 4 | Washer-Flat |
| 22 | 114-2867-03 | 4 | Bracket-Mount, Engine |
| 23 | 115-0600 | 4 | Mount-Engine |
| 25 | 323-13 | 4 | Screw-HH |
| 26 | 63-7400 | 4 | Washer-Rebound |



Power-Take-Off and Shaft Assembly

| Ref | Part No. | Qty. | Description |
|------|------------|------|-------------------------|
| 1 | 92-8855-03 | 1 | Shaft-PTO |
| 2 | 3296-39 | 2 | Nut-Lock, NI |
| 3 | 323-10 | 2 | Screw-HH |
| 4 | 3296-29 | 5 | Nut-Lock, NI |
| 5 | 322-5 | 4 | Screw-HH |
| 6 | 3253-21 | 1 | Washer-Lock |
| 7 | 3253-4 | 4 | Washer-Lock |
| 8 | 3257-5 | 1 | Key-Woodruff |
| 9 | 63-6240 | 1 | V-Belt |
| 10 | 323-18 | 1 | Screw-HH |
| 11 | 29-4730 | 1 | Washer-Flat |
| 12 | 43-5320-03 | 1 | Pulley-PTO |
| 13 | 92-8751-03 | 1 | PTO Bearing Bracket ASM |
| 14 | 84-7580 | 1 | Plate-Support, Bushing |
| 15 | 32149-1 | 2 | Nut-Keps |
| 16 | 92-8799 | 1 | Bearing-Flange |
| 16:1 | 251-77 | 1 | Collar-Lock, Bearing |
| 16:2 | 3245-35 | 1 | Screw-Set |
| 16:3 | 302-40 | 1 | Fitting-Grease |
| 17 | 322-9 | 4 | Screw-HH |
| 18 | 322-14 | 1 | Screw-HH |
| 19 | 108-1366 | 1 | PTO Drive Shaft ASM |
| 19:1 | 54-9040 | 1 | Yoke-End |
| 19:2 | 54-9180 | 2 | U-Joint Kit |

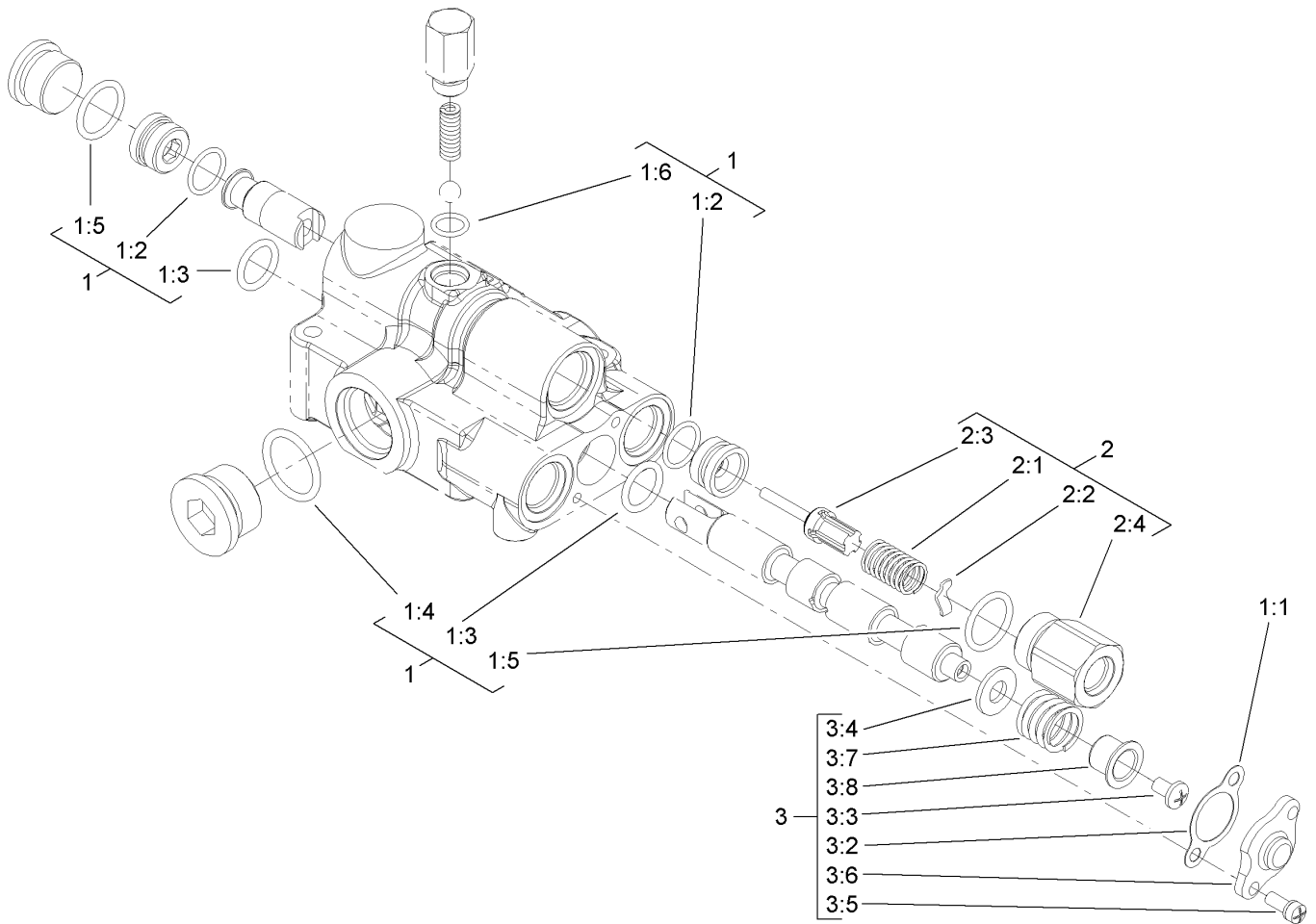
| Ref | Part No. | Qty. | Description |
|--------|----------|------|------------------|
| 19:2:1 | 62-3820 | 1 | Fitting-Grease |
| 19:3 | 108-6550 | 1 | Shaft-Yoke, Slip |
| 19:4 | 108-6551 | 1 | Tube-Yoke, Slip |
| 19:4:1 | 302-58 | 1 | Fitting-Straight |
| 19:5 | 54-9090 | 1 | Yoke-End |
| 20 | 63-8410 | 4 | Washer |
| 21 | 63-9750 | 2 | Mount |
| 22 | 3230-4 | 2 | Screw-CARR |
| 23 | 3272-15 | 1 | Pin-Cotter |
| 24 | 3256-23 | 1 | Washer-Flat |
| 25 | 32121-34 | 1 | Pin-Roll |
| 26 | 46-3380 | 1 | Bolt-Shoulder |
| 27 | 2412-102 | 1 | Clamp-R |
| 28 | 3296-39 | 1 | Nut-Lock, NI |



Hydraulic Cylinder and Lift Arm Assembly

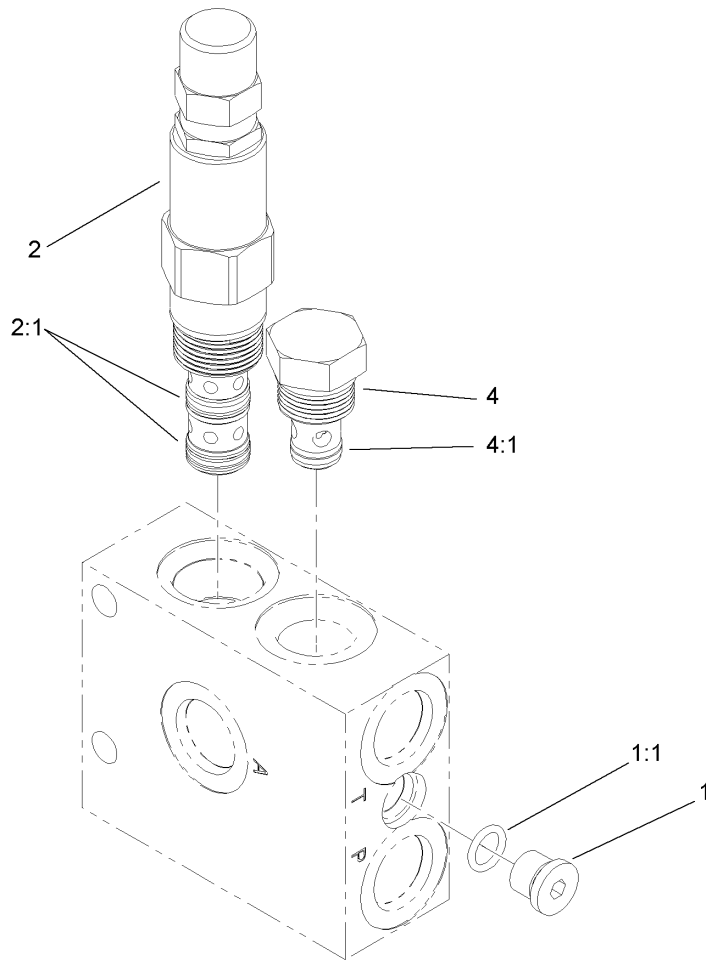
| Ref | Part No. | Qty. | Description |
|------|-------------|------|-----------------------|
| 1 | 3272-5 | 2 | Pin-Cotter |
| 2 | 108-2021-03 | 1 | Tube-Link |
| 3 | 283-26 | 1 | Pin |
| 4 | 114-2877 | 1 | Valve ASM |
| 5 | 340-2 | 2 | Fitting-HYD, Straight |
| 5:1 | 237-22 | 1 | O-Ring |
| 5:2 | 237-42 | 1 | O-Ring |
| 6 | 340-3 | 5 | Adapter |
| 6:1 | 237-22 | 1 | O-Ring |
| 6:2 | 237-79 | 1 | O-Ring |
| 7 | 100-5641 | 1 | Hose ASM |
| 8 | 2412-36 | 3 | Clamp-Hose |
| 9 | 100-5649 | 1 | Hose |
| 10 | 321-18 | 2 | Screw-HH |
| 11 | 3253-3 | 2 | Washer-Lock |
| 12 | 3256-22 | 2 | Washer-Flat |
| 13 | 114-2869 | 1 | HYD Tube ASM |
| 14 | 108-2083 | 1 | Hose ASM |
| 15 | 108-2088 | 1 | Hose ASM |
| 16 | 3290-378 | 2 | Tie-Cable |
| 17 | 3296-51 | 2 | Nut-Lock, NI |
| 18 | 108-2082 | 1 | Hose ASM |
| 19 | 340-86 | 1 | Fitting-HYD, Tee |
| 19:1 | 237-22 | 2 | O-Ring |

| Ref | Part No. | Qty. | Description |
|------|-------------|------|------------------|
| 19:2 | 237-42 | 1 | O-Ring |
| 20 | 92-5082 | 2 | Hose-HYD |
| 21 | 2412-108 | 2 | Clamp-Worm |
| 22 | 304-99 | 2 | Stem-Hose |
| 22:1 | 237-78 | 1 | O-Ring |
| 23 | 63-6630 | 2 | Cylinder-HYD |
| 24 | 3272-23 | 4 | Pin-Cotter |
| 25 | 27-4240 | 2 | Pin-Cylinder |
| 26 | 328-7 | 2 | Screw-HH |
| 27 | 114-2863 | 1 | Manifold ASM |
| 28 | 283-66 | 1 | Pin-Clevis |
| 29 | 354-107 | 1 | Fitting-HYD, Tee |
| 30 | 114-2870-03 | 1 | Bracket-Mounting |
| 31 | 340-115 | 1 | Fitting-Tee |
| 31:1 | 237-22 | 2 | O-Ring |
| 32 | 86-5480 | 1 | Nipple-Test |
| 33 | 354-79 | 1 | Cap-Dust |
| 34 | 321-11 | 2 | Screw-HH |
| 35 | 32128-33 | 2 | Nut-HF |
| 36 | 100-5589 | 1 | Hose ASM |



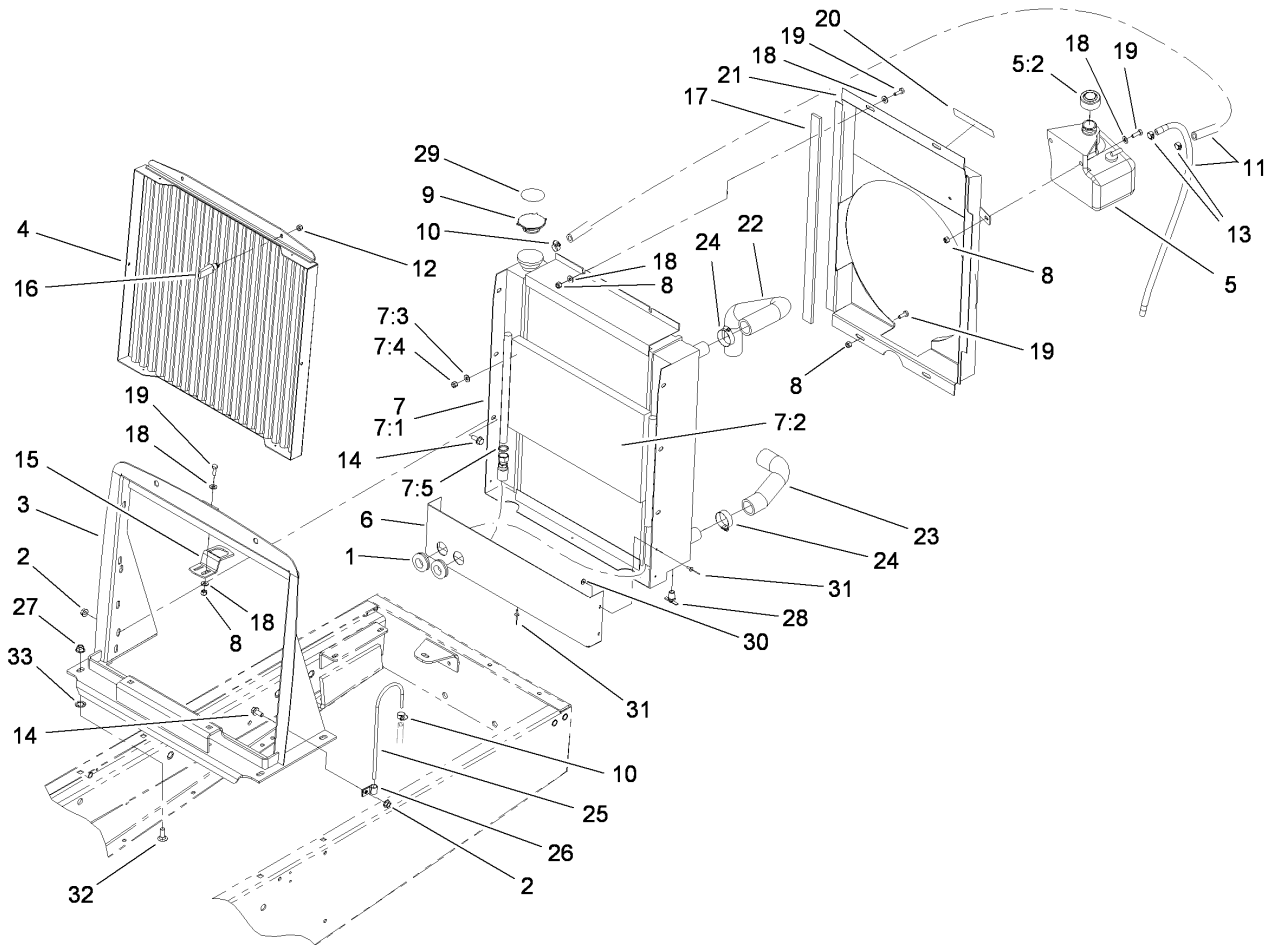
Hydraulic Valve Assembly No. 114-2877

| Ref | Part No. | Qty. | Description |
|-----|----------|------|--------------------|
| 1 | 110-6442 | 1 | Seal Kit |
| 1:1 | | 1 | Gasket |
| 1:2 | | 2 | O-Ring |
| 1:3 | | 2 | O-Ring |
| 1:4 | | 1 | O-Ring |
| 1:5 | | 2 | O-Ring |
| 1:6 | | 1 | O-Ring |
| 2 | 110-6441 | 1 | Pilot Check Kit |
| 2:1 | | 1 | Spring |
| 2:2 | | 1 | Poppet-Stop |
| 2:3 | | 1 | Poppet |
| 2:4 | | 1 | Port-Plug, Adapter |
| 3 | 114-2889 | 1 | Spring Center Kit |
| 3:2 | | 1 | Gasket |
| 3:3 | | 1 | Machine Screw |
| 3:4 | | 1 | Washer |
| 3:5 | | 2 | Screw W/Lockwasher |
| 3:6 | | 1 | End Cap |
| 3:7 | | 1 | Spring |
| 3:8 | | 1 | Spacer |



Hydraulic Manifold Assembly No. 114-2863

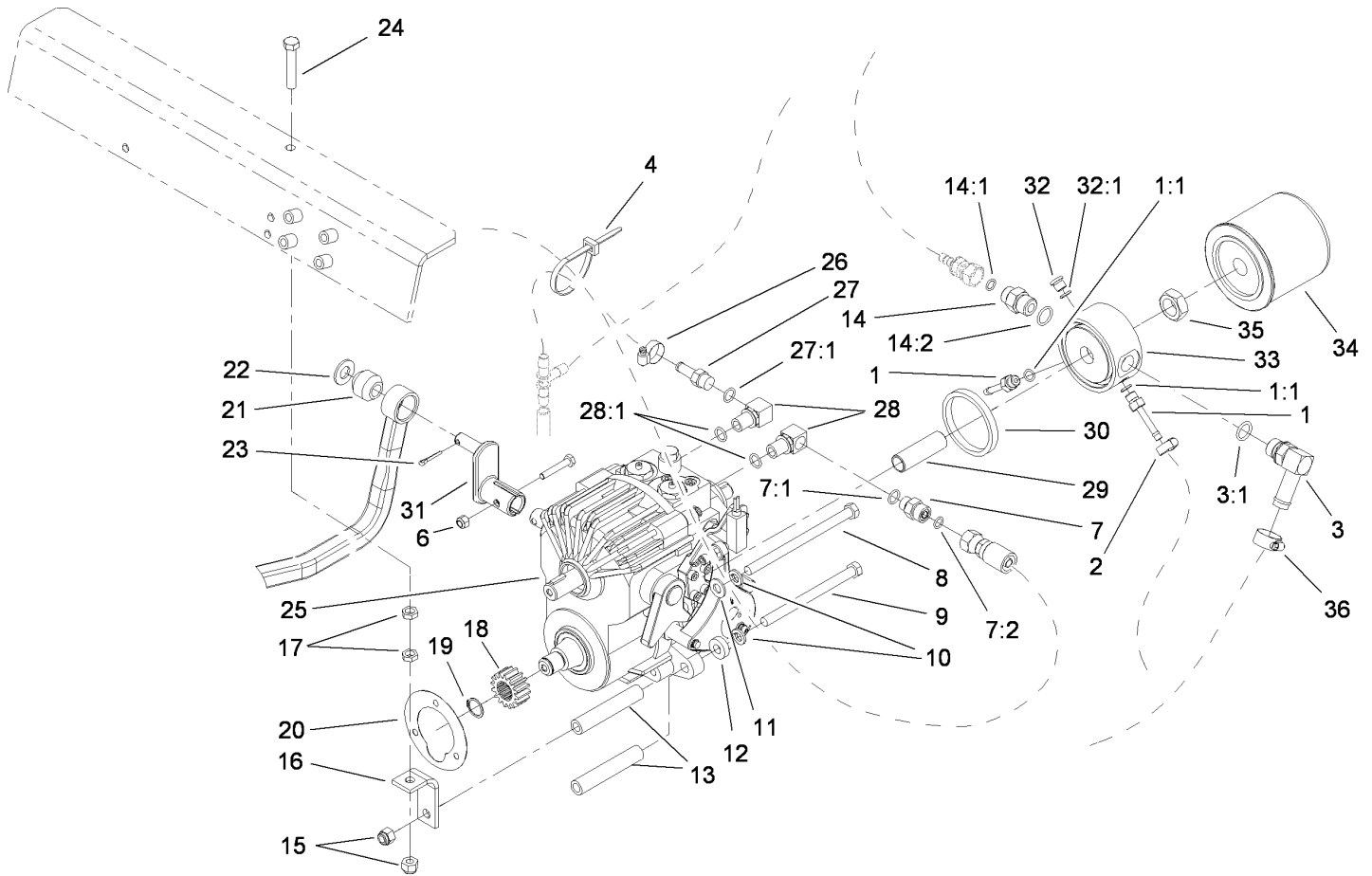
| Ref | Part No. | Qty. | Description | | | | |
|-----|----------|------|-------------------------|--|--|--|--|
| 1 | 353-990 | 1 | Plug | | | | |
| 1:1 | 237-78 | 1 | O-Ring | | | | |
| 2 | 114-2888 | 1 | Valve-Logic, Adjustable | | | | |
| 2:1 | 107-7813 | 1 | Seal Kit | | | | |
| 4 | 114-2873 | 1 | Check Valve | | | | |
| 4:1 | 105-9156 | 1 | Seal Kit | | | | |



Radiator Assembly

| Ref | Part No. | Qty. | Description |
|-----|-------------|------|---------------------------|
| 1 | 240-4 | 2 | Grommet-Rubber |
| 2 | 32128-20 | 6 | Nut-HF |
| 3 | 110-9668-03 | 1 | Radiator Support ASM |
| 4 | 108-2062-03 | 1 | Screen ASM |
| 5 | 93-5975 | 1 | Coolant Reservoir ASM |
| 5:2 | 93-5960 | 1 | Cap-Reservoir |
| 6 | 110-9663-03 | 1 | Shield-Radiator, Bottom |
| 7 | | 1 | Radiator / Oil Cooler ASM |
| 7:1 | 105-4289 | 1 | Radiator |
| 7:2 | 105-4290 | 1 | Cooler-Oil |
| 7:3 | 3253-4 | 4 | Washer-Lock |
| 7:4 | 3217-6 | 4 | Nut-Hex |
| 7:5 | 237-22 | 2 | O-Ring |
| 8 | 3296-42 | 8 | Nut-Lock, NI |
| 9 | 66-3240 | 1 | Cap-Radiator |
| 10 | 2412-108 | 2 | Clamp-Worm |
| 11 | 110-4103 | 2 | Hose-Fuel |
| 12 | 1-804254 | 2 | Nut |
| 13 | 2412-98 | 2 | Clamp |
| 14 | 3234-5 | 6 | Screw-HHF |
| 15 | 98-9316 | 1 | Latch-Hood |
| 16 | 74-5950 | 2 | Latch-Swell |
| 17 | 108-9683 | 2 | Strip-Foam |
| 18 | 3256-22 | 14 | Washer-Flat |

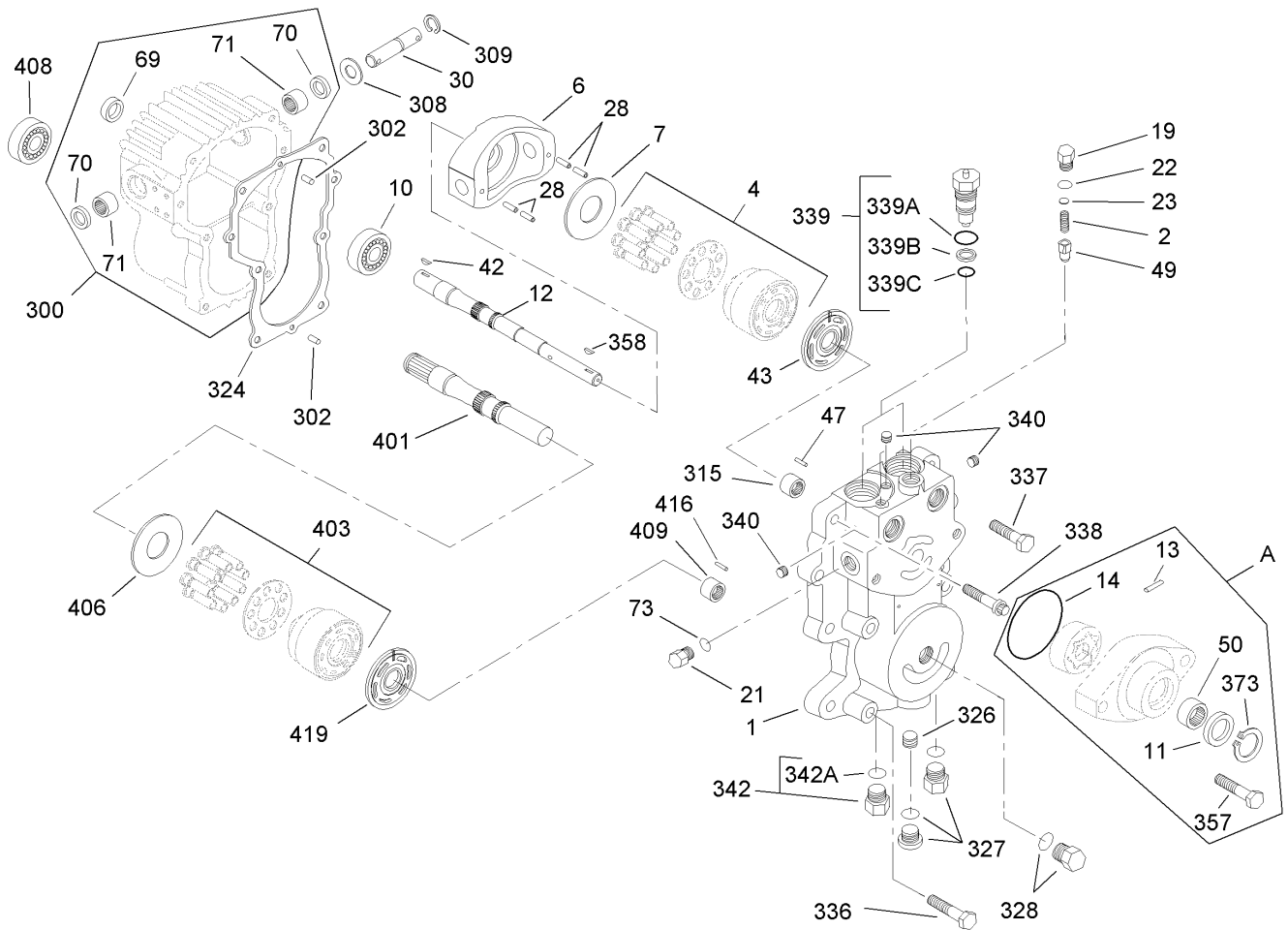
| Ref | Part No. | Qty. | Description |
|-----|-------------|------|----------------------|
| 19 | 321-4 | 8 | Screw-HH |
| 20 | 93-7272 | 1 | Decal-Warning |
| 21 | 108-9678-03 | 1 | Fan Shroud ASM |
| 22 | 104-3443 | 1 | Hose-Radiator, Upper |
| 23 | 104-3442 | 1 | Hose-Radiator, Lower |
| 24 | 2412-34 | 4 | Clamp-Hose |
| 25 | 66-3180 | 1 | Tube-Vent |
| 26 | 2412-103 | 2 | Clamp |
| 27 | 104-8301 | 4 | Nut-Flange, NI |
| 28 | 304-46 | 1 | Draincock |
| 29 | 106-5976 | 1 | Decal-Warning |
| 30 | 3269-10 | 2 | Washer-Back |
| 31 | 3269-13 | 5 | Rivet-Pop |
| 32 | 3231-2 | 4 | Screw-CARR |
| 33 | 32151-72 | 4 | Ring-Retaining |



Transmission Installation Assembly

| Ref | Part No. | Qty. | Description |
|------|----------|------|-----------------------|
| 1 | 92-5512 | 2 | Fitting-Hose, Barbed |
| 1:1 | 237-78 | 1 | O-Ring |
| 2 | 2412-108 | 2 | Clamp-Worm |
| 3 | 92-5086 | 1 | Fitting-Elbow, 90 DEG |
| 3:1 | 237-79 | 1 | O-Ring |
| 4 | 3290-378 | 2 | Tie-Cable |
| 6 | 3296-42 | 1 | Nut-Lock, NI |
| 7 | 82-8530 | 1 | Fitting-Straight |
| 7:1 | 237-42 | 1 | O-Ring |
| 7:2 | 237-22 | 1 | O-Ring |
| 8 | 27-9620 | 1 | Screw-HH |
| 9 | 323-39 | 3 | Screw-HH |
| 10 | 3253-21 | 4 | Washer-Lock |
| 11 | 3256-24 | 1 | Washer-Flat |
| 12 | 5-0652 | 1 | Spacer |
| 13 | 27-3680 | 4 | Spacer-Mounting |
| 14 | 340-3 | 1 | Adapter |
| 14:1 | 237-22 | 1 | O-Ring |
| 14:2 | 237-79 | 1 | O-Ring |
| 15 | 3296-39 | 2 | Nut-Lock, NI |
| 16 | 63-7170 | 1 | Anchor-Transmission |
| 17 | 3218-3 | 2 | Nut-Jam |
| 18 | 86-7220 | 1 | Gear-Pinion |
| 19 | 32120-72 | 1 | Ring-Snap |

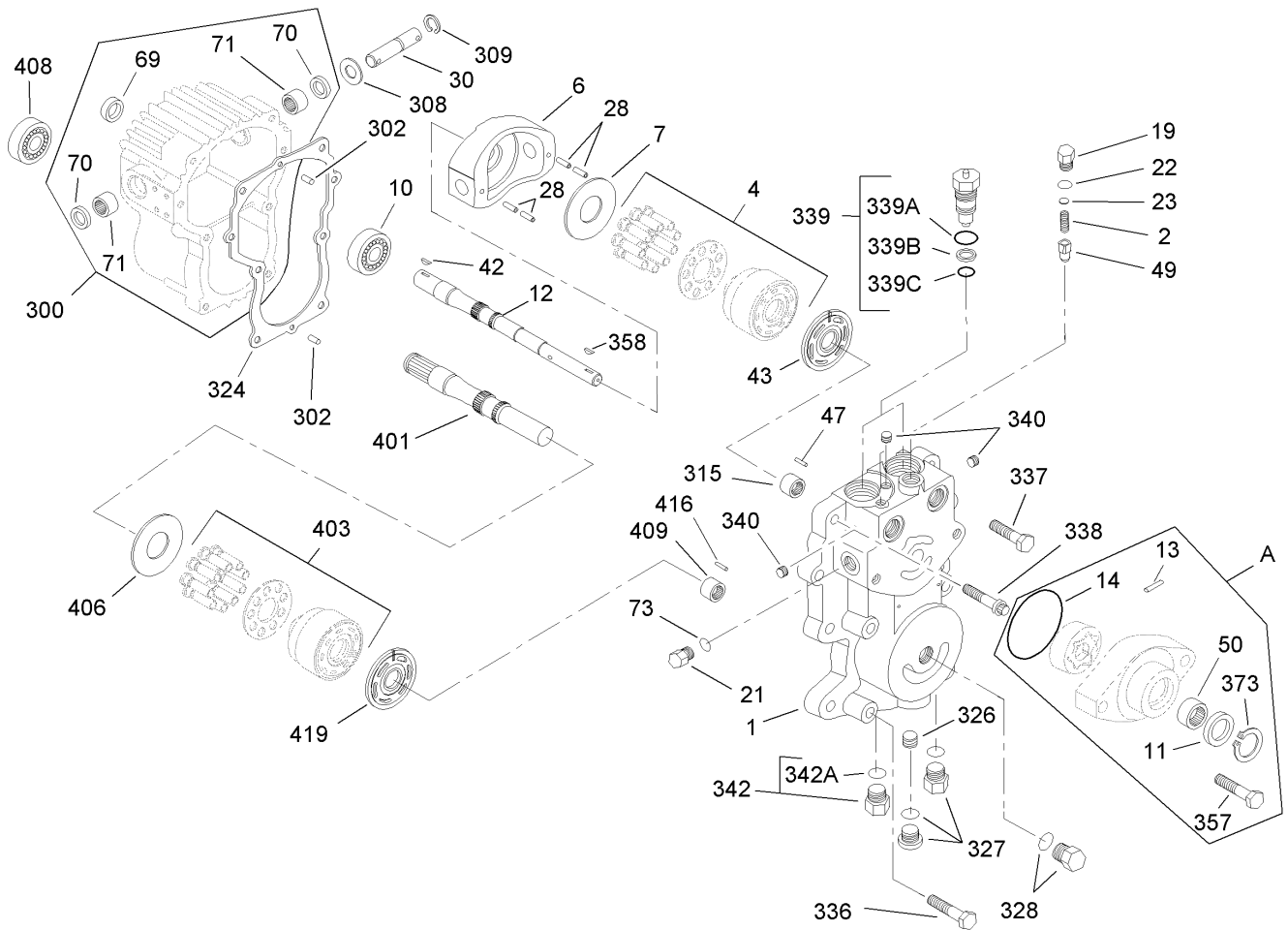
| Ref | Part No. | Qty. | Description |
|------|----------|------|--------------------------|
| 20 | 27-3690 | 1 | Gasket-Transmission |
| 21 | 23-2270 | 1 | Bushing-Rubber |
| 22 | 3256-26 | 1 | Washer-Flat |
| 23 | 3272-10 | 1 | Pin-Cotter |
| 24 | 67-1900 | 1 | Screw-HH |
| 25 | 108-1355 | 1 | Transmission ASM |
| 26 | 2412-36 | 1 | Clamp-Hose |
| 27 | 353-979 | 1 | Fitting-Straight |
| 27:1 | 237-42 | 1 | O-Ring |
| 28 | 66-3110 | 2 | Fitting-HYD, 90 DEG |
| 28:1 | 237-42 | 1 | O-Ring |
| 29 | 92-5085 | 1 | Union-Filter |
| 30 | 92-5087 | 1 | Seal-Adaptor, Filter |
| 31 | 112-5098 | 1 | Pump Lever |
| 32 | 353-990 | 1 | Plug |
| 32:1 | 237-78 | 1 | O-Ring |
| 33 | 92-5076 | 1 | Adapter-Filter |
| 34 | 23-2300 | 1 | Filter-Oil, Transmission |
| 35 | 3220-7 | 1 | Nut-Jam |
| 36 | 2412-119 | 1 | Clamp-Worm |



Center Section Assembly Transmission Assembly No. 108-1355

| Ref | Part No. | Qty. | Description |
|-----|----------|------|-----------------------|
| A | 38-2670 | 1 | Charge Pump Kit |
| 1 | 92-5716 | 1 | Section-Center |
| 2 | 46-7310 | 1 | Spring |
| 4 | 48-1800 | 1 | Cylinder Block Kit |
| 6 | 25-2450 | 1 | Plate-Swash, Variable |
| 7 | 25-2380 | 1 | Plate-Thrust |
| 10 | 251-8 | 1 | Bearing-Ball |
| 11 | 94-2975 | 1 | Seal-Shaft |
| 12 | 28-3640 | 1 | Shaft-Pump |
| 13 | 38-2680 | 1 | Pin |
| 14 | 28-3520 | 1 | O-Ring |
| 19 | 25-2460 | 1 | Plug-HH |
| 21 | 25-2460 | 1 | Plug-HH |
| 22 | 28-3400 | 1 | O-Ring |
| 23 | 25-2470 | 1 | Pack-Shim |
| 28 | 83-3880 | 4 | Pin-Spring |
| 30 | 28-3670 | 1 | Shaft-Trunnion |
| 42 | 3257-5 | 1 | Key-Woodruff |
| 43 | 110-3051 | 1 | Plate-Valve |
| 47 | 25-2430 | 1 | Pin-Dowel |
| 49 | 67-8070 | 1 | Cone-Relief, Charge |
| 50 | 28-3480 | 1 | Bearing |
| 69 | 93-4133 | 1 | Seal-Lip |
| 70 | 103461 | 2 | Seal |

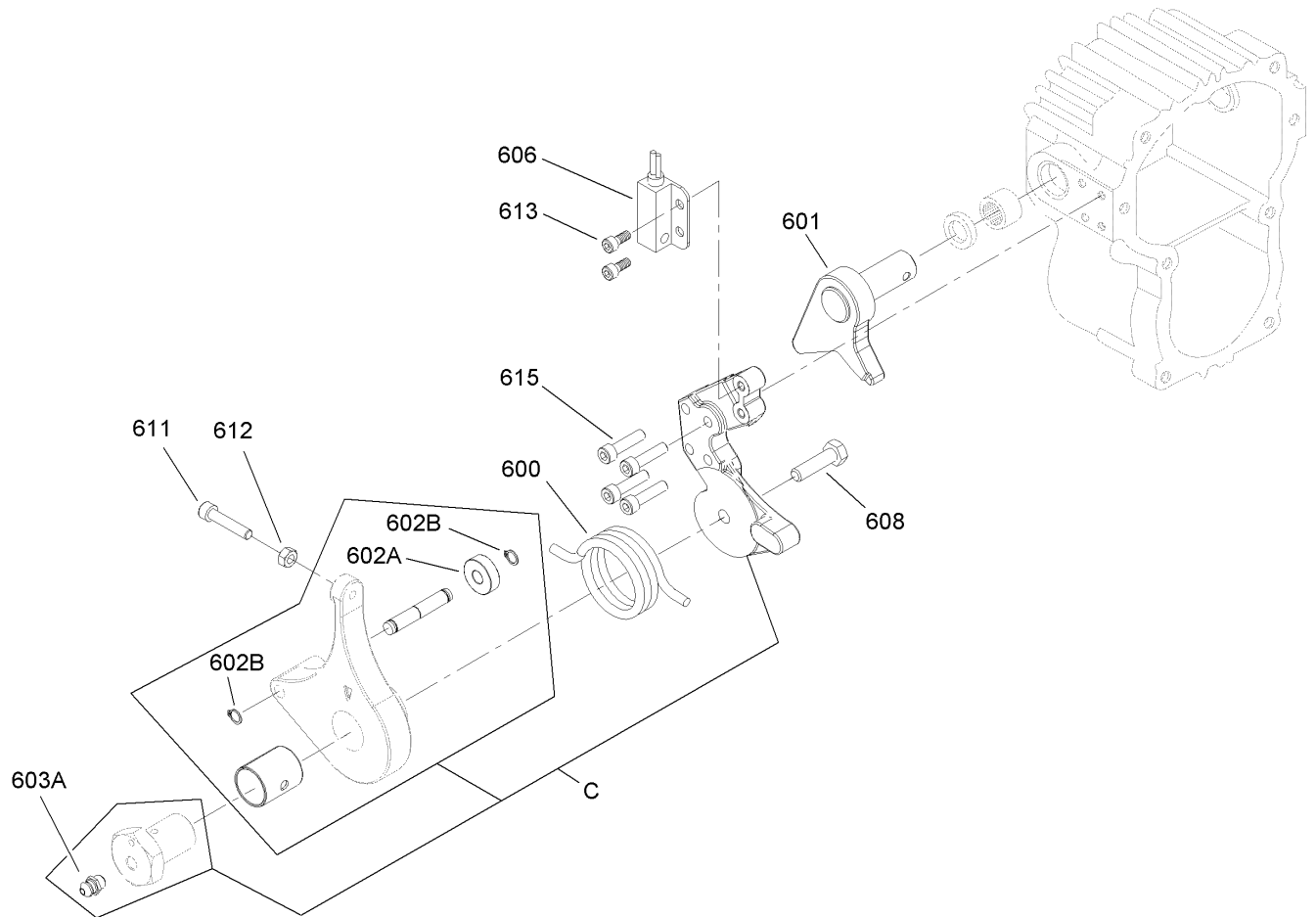
| Ref | Part No. | Qty. | Description |
|-----|----------|------|--------------------|
| 71 | 252-82 | 2 | Bearing-Needle |
| 73 | 28-3400 | 1 | O-Ring |
| 300 | 110-3052 | 1 | Housing ASM |
| 302 | 353-599 | 2 | Pin-Dowel |
| 308 | 25-2510 | 1 | Washer-Flat |
| 309 | 32151-46 | 1 | Ring-Retaining |
| 315 | 25-3300 | 1 | Bearing-Needle |
| 324 | 28-3340 | 1 | Gasket |
| 326 | 107-4370 | 1 | Plug-Expansion |
| 327 | 67-9090 | 1 | Plug ASM |
| 328 | 28-3440 | 1 | Plug-Threaded |
| 336 | 323-10 | 4 | Screw-HH |
| 337 | 75-0110 | 2 | Capscrew-HH |
| 338 | 28-3530 | 2 | Capscrew |
| 339 | 49-7830 | 2 | Check Valve Kit |
| 340 | 75-0160 | 4 | Plug-Pipe |
| 342 | 28-3440 | 2 | Plug-Threaded |
| 357 | 92-1773 | 2 | Screw-HHF |
| 358 | 3257-5 | 1 | Key-Woodruff |
| 373 | 94-2976 | 1 | Ring-Retaining |
| 401 | 49-8200 | 1 | Shaft-Motor |
| 403 | 48-1800 | 1 | Cylinder Block Kit |
| 406 | 25-2380 | 1 | Plate-Thrust |
| 408 | 28-3300 | 1 | Bearing-Roller |



Center Section Assembly Transmission Assembly No. 108-1355 (continued)

| Ref | Part No. | Qty. | Description |
|------|----------|------|--------------------|
| 409 | 25-3300 | 1 | Bearing-Needle |
| 416 | 25-2430 | 1 | Pin-Dowel |
| 419 | 28-3380 | 1 | Plate-Valve, Motor |
| 339A | 28-3570 | 2 | O-Ring |
| 339B | 28-3580 | 2 | Ring-Back Up |
| 339C | 28-3590 | 2 | O-Ring |
| 342A | 75-0240 | 2 | O-Ring |

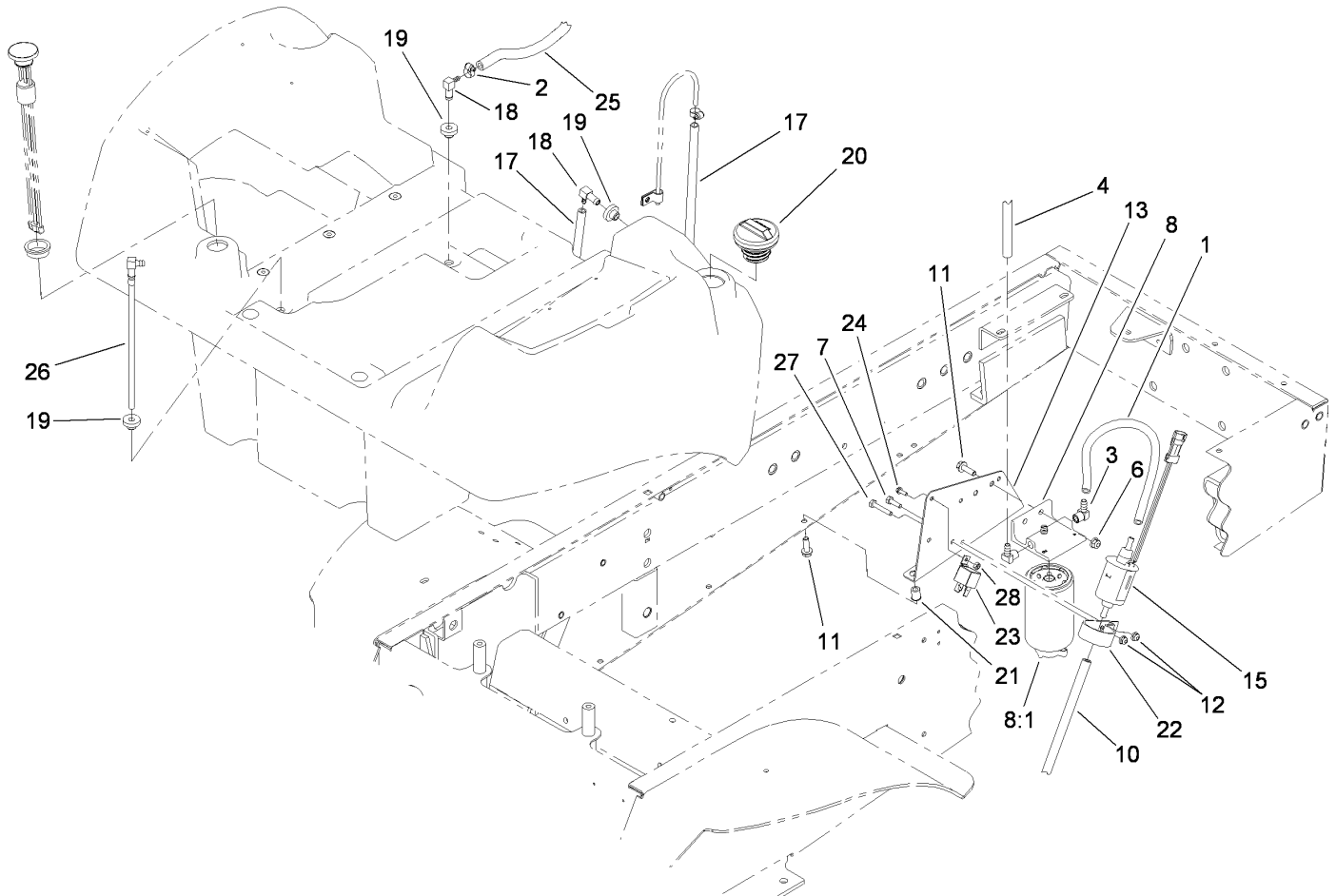
| | | | |
|--|--|--|--|
| | | | |
|--|--|--|--|



Neutral Return Arm Assembly Transmission Assembly No. 108-1355

| Ref | Part No. | Qty. | Description |
|------|-----------|------|------------------------|
| C | 110-5685 | 1 | Neutral Return ASM |
| 600 | 110-3053 | 1 | Spring-Return, Neutral |
| 601 | 110-3054 | 1 | Cam-Trunnion |
| 606 | 100-1270 | 1 | Switch-Proximity |
| 608 | 33114-030 | 1 | Screw-HH |
| 611 | 110-3060 | 1 | Screw-HSH |
| 612 | 33013-00 | 1 | Nut-Hex |
| 613 | 110-3061 | 2 | Screw-HSH |
| 615 | 48-7850 | 4 | Capscrew |
| 602A | 251-259 | 1 | Bearing-Ball |
| 602B | 110-3056 | 2 | Ring-Retaining |
| 603A | 110-3058 | 1 | Fitting-Lube |

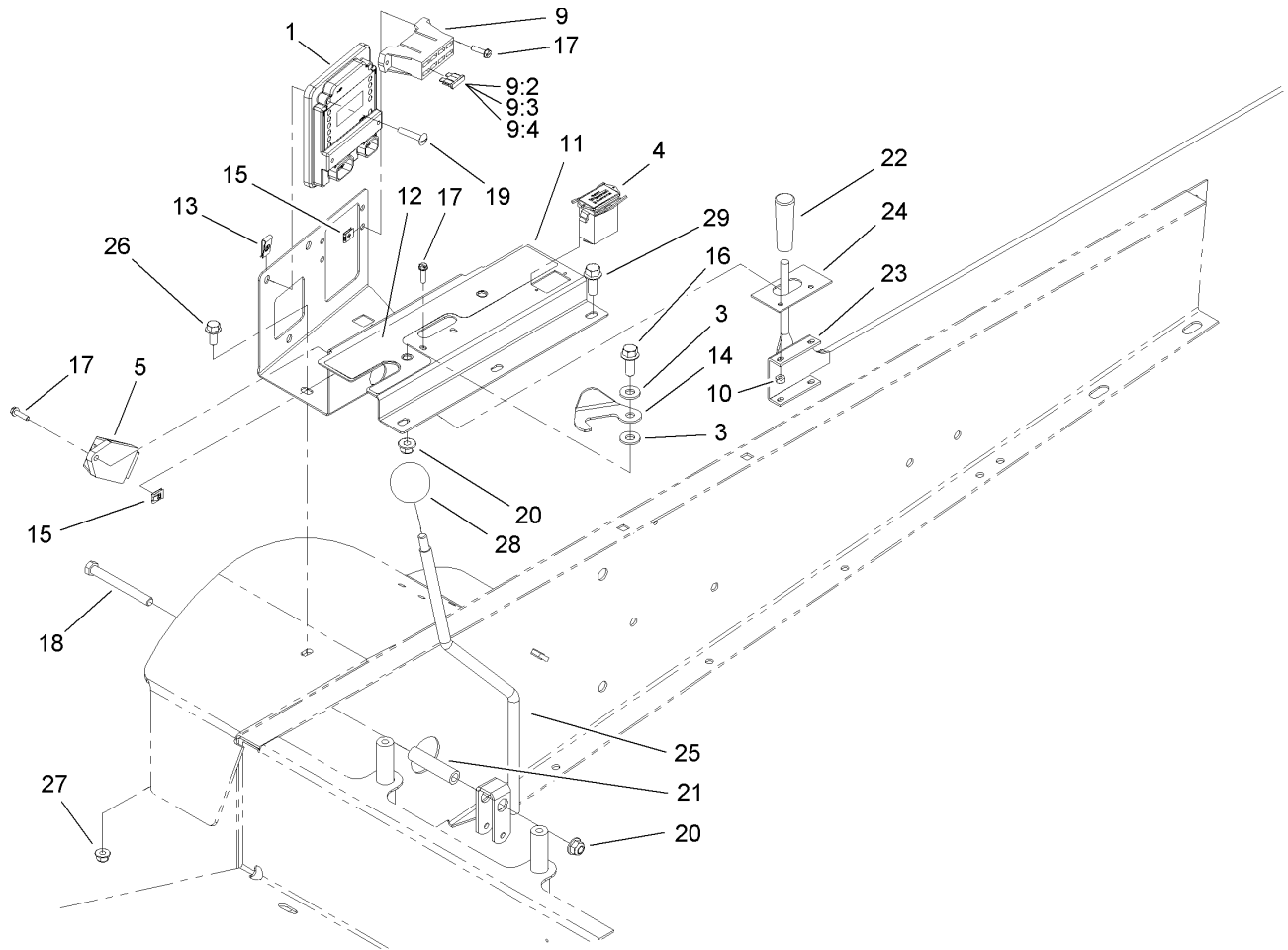
| | | | |
|--|--|--|--|
| | | | |
| | | | |
| | | | |
| | | | |
| | | | |
| | | | |
| | | | |
| | | | |
| | | | |
| | | | |
| | | | |



Fuel Delivery System Assembly

| Ref | Part No. | Qty. | Description |
|-----|-------------|------|--------------------|
| 1 | 110-4105 | 1 | Hose-Fuel |
| 2 | 2412-108 | 9 | Clamp-Worm |
| 3 | 353-781 | 2 | Fitting-Elbow |
| 4 | 106-1126 | 1 | Hose-Fuel |
| 6 | 104-8300 | 2 | Nut-Flange, NI |
| 7 | 321-5 | 1 | Screw-HH |
| 8 | 110-9044 | 1 | Filter-Seperator |
| 8:1 | 110-9049 | 1 | Filter-Spin On |
| 10 | 110-4172 | 1 | Hose-Fuel |
| 11 | 3234-17 | 4 | Screw-HHF |
| 12 | 104-7201 | 2 | Nut-HF |
| 13 | 114-2854-03 | 1 | Bracket-Support |
| 15 | 110-8806 | 1 | Pump-Fuel |
| 17 | 109-0273 | 1 | Hose-Fuel |
| 18 | 104-5228 | 2 | Fitting-Elbow |
| 19 | 46-6560 | 3 | Bushing |
| 20 | 114-5054 | 1 | Cap-Biodiesel |
| 21 | 32148-7 | 2 | Nut-Insert |
| 22 | 110-8817 | 1 | Bracket-Pump, Fuel |
| 23 | 99-7435 | 1 | Relay-Power |
| 24 | 32105-2 | 1 | Screw-SHWH |
| 25 | 108-9698 | 1 | Hose-Fuel |
| 26 | 110-9689 | 1 | Pipe-Stand |
| 27 | 321-9 | 1 | Screw-HH |

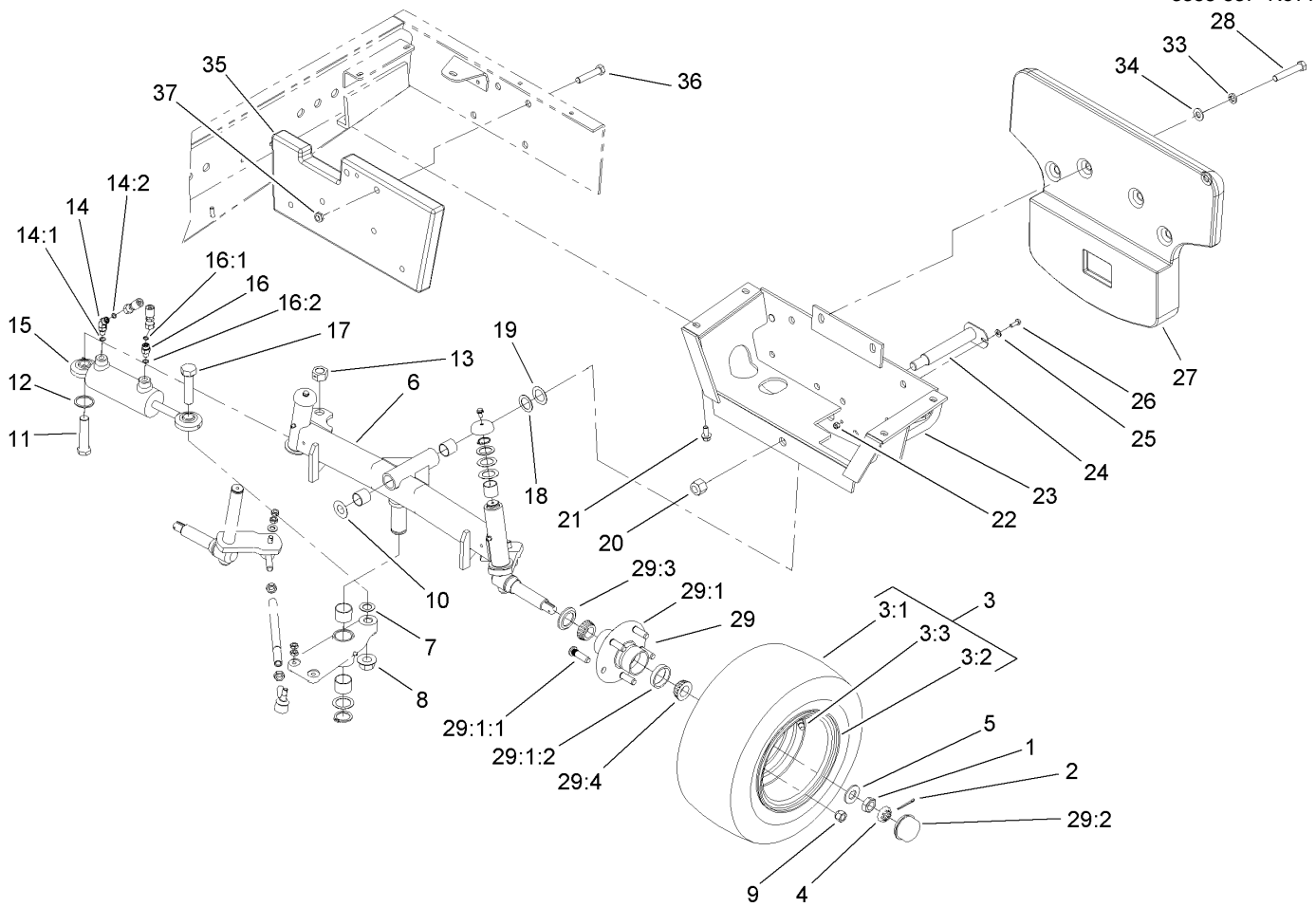
| Ref | Part No. | Qty. | Description |
|-----|----------|------|-------------|
| 28 | 3296-2 | 1 | Nut-Lock |



Lower Control Panel Assembly

| Ref | Part No. | Qty. | Description |
|-----|-------------|------|--------------------------|
| 1 | 106-9277 | 1 | Module-Control, Standard |
| 3 | 66-2920 | 2 | Washer-Friction |
| 4 | 1-513374 | 1 | Meter-Hour |
| 5 | 98-7611 | 1 | Controller-Glow |
| 9 | 114-3398 | 1 | Harness-Wire |
| 9:2 | 94-6710 | 1 | Fuse-Blade, 2 Amp |
| 9:3 | 218-578 | 2 | Fuse-10 Amp |
| 9:4 | 109355 | 1 | Fuse-15 Amp |
| 10 | 3296-2 | 2 | Nut-Lock |
| 11 | 108-2030-03 | 1 | Cover-Lower |
| 12 | 108-2031 | 1 | Decal-Panel, Lower |
| 13 | 3290-199 | 3 | Nut-Speed |
| 14 | 108-2032 | 1 | Latch-Lever |
| 15 | 107-1013 | 8 | Nut-Speed, U-Type |
| 16 | 3234-11 | 1 | Screw-HHF |
| 17 | 32105-13 | 5 | Screw-HWH |
| 18 | 323-15 | 1 | Screw-HH |
| 19 | 3258-19 | 3 | Screw |
| 20 | 104-8301 | 2 | Nut-Flange, NI |
| 21 | 84-2350 | 1 | Spacer-Long |
| 22 | 233-39 | 1 | Knob-Control |
| 23 | 108-2033 | 1 | Cable-Throttle, Diesel |
| 24 | 108-2034-03 | 1 | Plate-Throttle |
| 25 | 108-2035-03 | 1 | Lift Lever ASM |

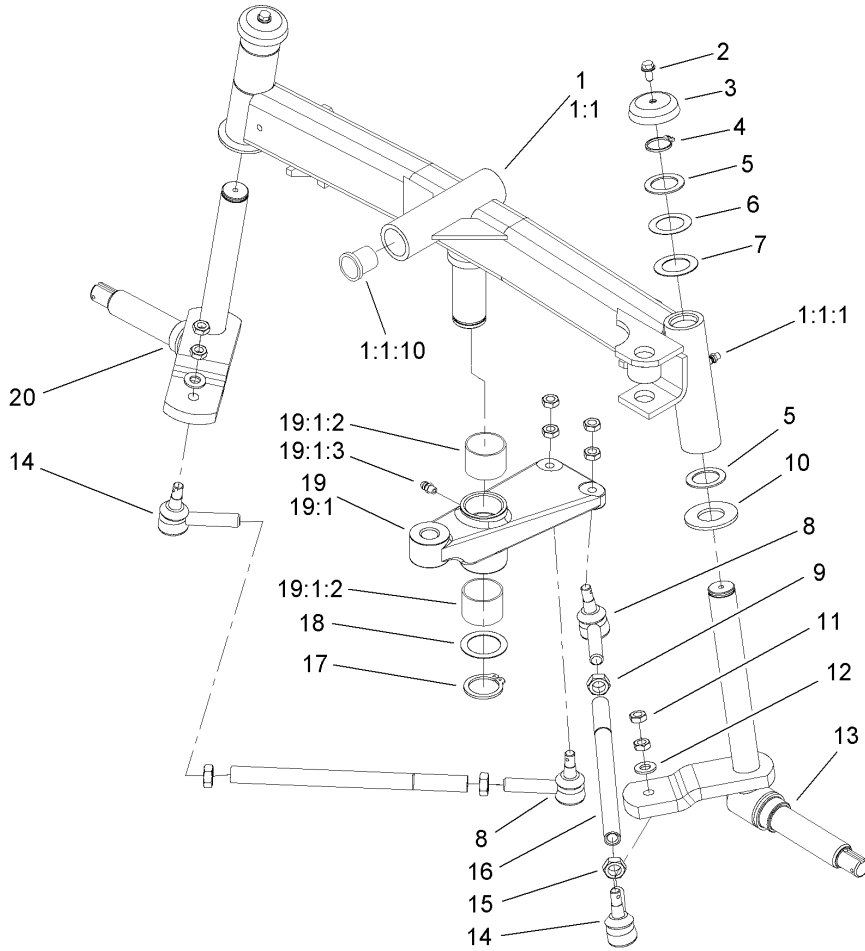
| Ref | Part No. | Qty. | Description |
|-----|----------|------|----------------|
| 26 | 3234-5 | 1 | Screw-HHF |
| 27 | 104-8300 | 1 | Nut-Flange, NI |
| 28 | 233-21 | 1 | Knob |
| 29 | 3234-14 | 3 | Screw-HHF |



Rear Axle and Tire Assembly

| Ref | Part No. | Qty. | Description |
|------|----------|------|------------------------|
| 1 | 3220-7 | 2 | Nut-Jam |
| 2 | 3272-13 | 2 | Pin-Cotter |
| 23 | | 2 | Wheel And Tire ASM |
| 3:1 | 231-105 | 1 | Tire-Ribbed |
| 3:2 | 107-9059 | 1 | Wheel |
| 3:3 | 232-35 | 1 | Valve Stem And Cap ASM |
| 4 | 93-0307 | 2 | Nut-Lock, Retainer |
| 5 | 93-0309 | 2 | Washer-Tab |
| 26 | | 1 | Rear Axle ASM |
| 7 | 67-9410 | 1 | Washer |
| 8 | 32128-45 | 1 | Locknut-Flange |
| 9 | 242-50 | 10 | Nut-Lug |
| 10 | 71-4540 | 1 | Washer-Thrust |
| 11 | 67-7300 | 1 | Screw-HH |
| 12 | 67-7250 | 1 | Spacer-Ring |
| 13 | 32153-6 | 1 | Nut-Lock |
| 14 | 340-103 | 1 | Fitting-HYD, 45 DEG |
| 14:1 | 237-78 | 1 | O-Ring |
| 14:2 | 237-21 | 1 | O-Ring |
| 15 | 76-2070 | 1 | Cylinder-Steering |
| 16 | 340-92 | 1 | Fitting-HYD, Straight |
| 16:1 | 237-78 | 1 | O-Ring |
| 16:2 | 237-21 | 1 | O-Ring |
| 17 | 328-25 | 1 | Screw-HH |

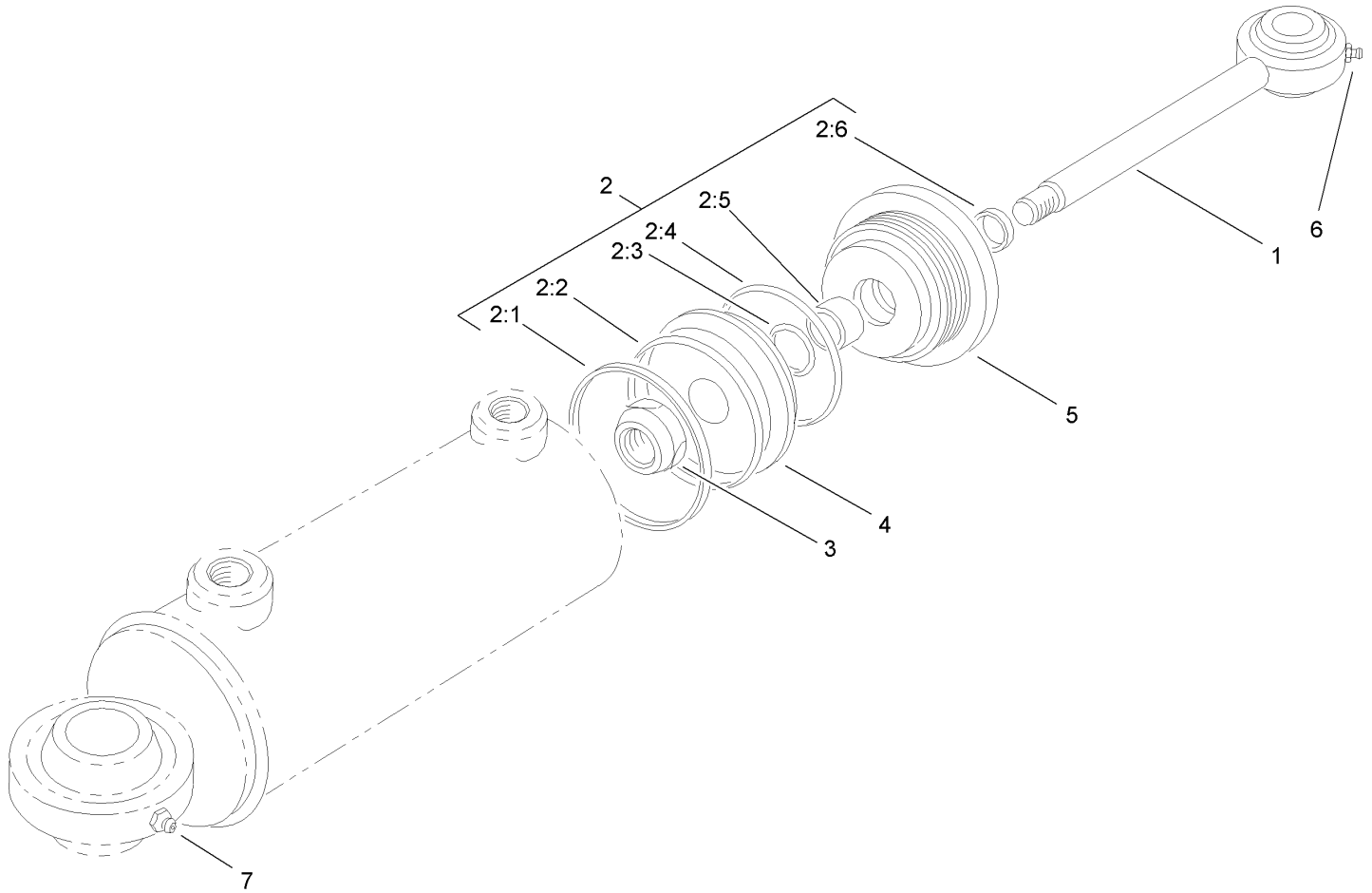
| Ref | Part No. | Qty. | Description |
|--------|-------------|------|-----------------------|
| 18 | 10-8110 | 1 | Washer-Thrust |
| 19 | 56-2460 | 2 | Washer-Flat |
| 20 | 3296-51 | 1 | Nut-Lock, NI |
| 21 | 3234-25 | 4 | Screw-HHF |
| 22 | 3296-42 | 1 | Nut-Lock, NI |
| 23 | 63-6430-03 | 1 | Frame-Rear |
| 24 | 63-6770-03 | 1 | Pin-Masked |
| 25 | 3256-22 | 1 | Washer-Flat |
| 26 | 321-4 | 1 | Screw-HH |
| 27 | 110-9666-01 | 1 | Weight-Rear |
| 28 | 325-14 | 4 | Screw-HH |
| 29 | | 2 | Hub ASM |
| 29:1 | 21-2820 | 1 | Hub |
| 29:1:1 | 10-6830 | 5 | Stud-Type, Drive |
| 29:1:2 | 254-72 | 2 | Bearing-Cup, Tapered |
| 29:2 | 241-119 | 1 | Cap-Dust |
| 29:3 | 253-129 | 1 | Seal |
| 29:4 | 254-94 | 2 | Bearing-Cone, Tapered |
| 33 | 3253-7 | 4 | Washer-Lock |
| 34 | 3256-26 | 4 | Washer-Flat |
| 35 | 110-1995-03 | 1 | Weight-Rear, Inside |
| 36 | 325-10 | 2 | Screw-HH |
| 37 | 3296-45 | 2 | Nut-Lock, NI |



Rear Axle Assembly

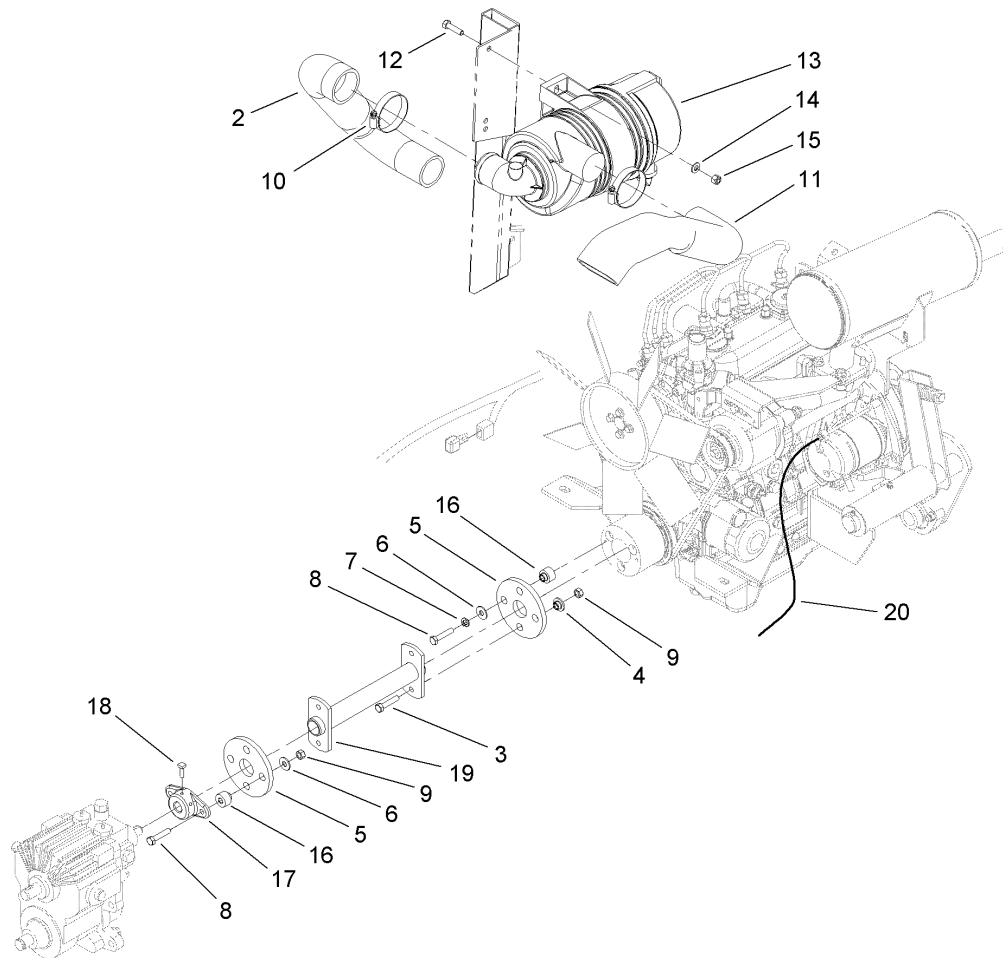
| Ref | Part No. | Qty. | Description |
|--------|-------------|------|---------------------|
| 1 | 76-3000-03 | 1 | Rear Axle ASM |
| ②1:1 | | 1 | Axle-Rear |
| 1:1:1 | 302-5 | 3 | Fitting-Grease |
| 1:1:10 | 67-1750 | 6 | Bushing |
| 2 | 3234-13 | 2 | Screw-HHF |
| 3 | 66-2990-03 | 2 | Cap-Spindle |
| 4 | 32151-36 | 2 | Ring-Retaining |
| 5 | 10-8110 | 4 | Washer-Thrust |
| 6 | 56-2460 | 2 | Washer-Flat |
| 7 | 5-1226 | 2 | Washer |
| 8 | 110-9686-03 | 2 | LH Ball Joint ASM |
| 9 | 3220-12 | 2 | Nut-HJ (LH Thread) |
| 10 | 256-121 | 2 | Washer-Thrust |
| 11 | 3220-3 | 8 | Nut-HJ |
| 12 | 3256-24 | 2 | Washer-Flat |
| 13 | 107-2943-03 | 1 | RH Spindle ASM |
| 14 | 110-9685-03 | 2 | RH Ball Joint ASM |
| 15 | 3220-5 | 2 | Nut-Jam |
| 16 | 63-6880 | 2 | Tie Rod-Steering |
| 17 | 32151-77 | 1 | Ring-Retaining, EXT |
| 18 | 76-2980 | 1 | Washer-Thrust |
| 19 | 100-6598-03 | 1 | Steering Pivot ASM |
| ②19:1 | | 1 | Pivot-Steering |
| 19:1:2 | 76-2970 | 2 | Bushing-Straight |

| Ref | Part No. | Qty. | Description |
|--------|-------------|------|----------------|
| 19:1:3 | 302-5 | 1 | Fitting-Grease |
| 20 | 107-2942-03 | 1 | LH Spindle ASM |



Steering Cylinder Assembly No. 76-2070

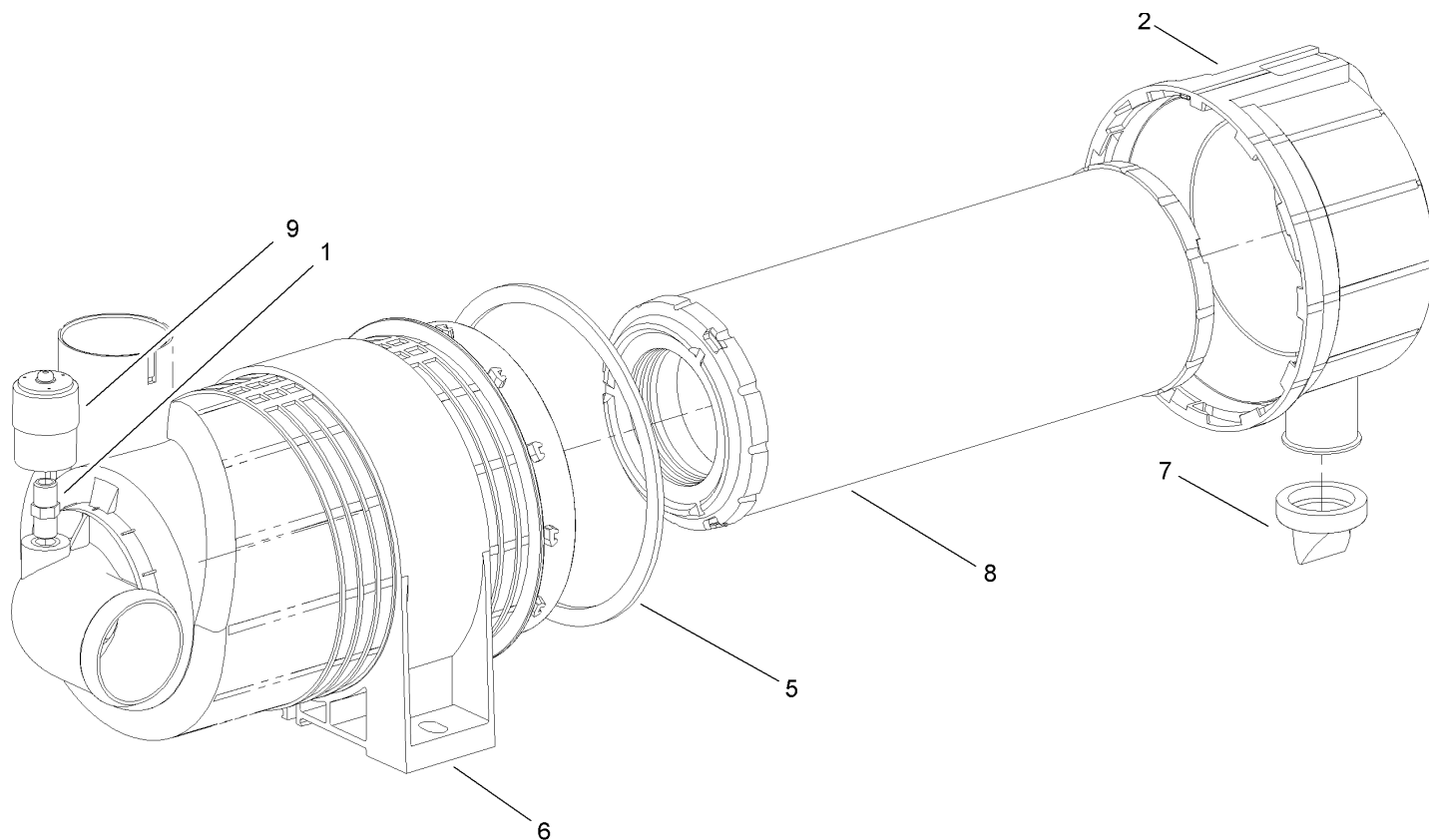
| Ref | Part No. | Qty. | Description |
|-----|----------|------|----------------|
| 1 | | 1 | Rod-Piston |
| 2 | 76-2090 | 1 | Seal Kit |
| 2:1 | | 1 | Seal |
| 2:2 | | 1 | O-Ring |
| 2:3 | | 1 | O-Ring |
| 2:4 | | 1 | O-Ring |
| 2:5 | | 1 | U-Cup |
| 2:6 | | 1 | Wiper |
| 3 | | 1 | Nut-Lock |
| 4 | | 1 | Piston |
| 5 | | 1 | Gland |
| 6 | 302-40 | 1 | Fitting-Grease |
| 7 | 302-5 | 1 | Fitting-Grease |



Air Cleaner and Drive Coupling Assembly

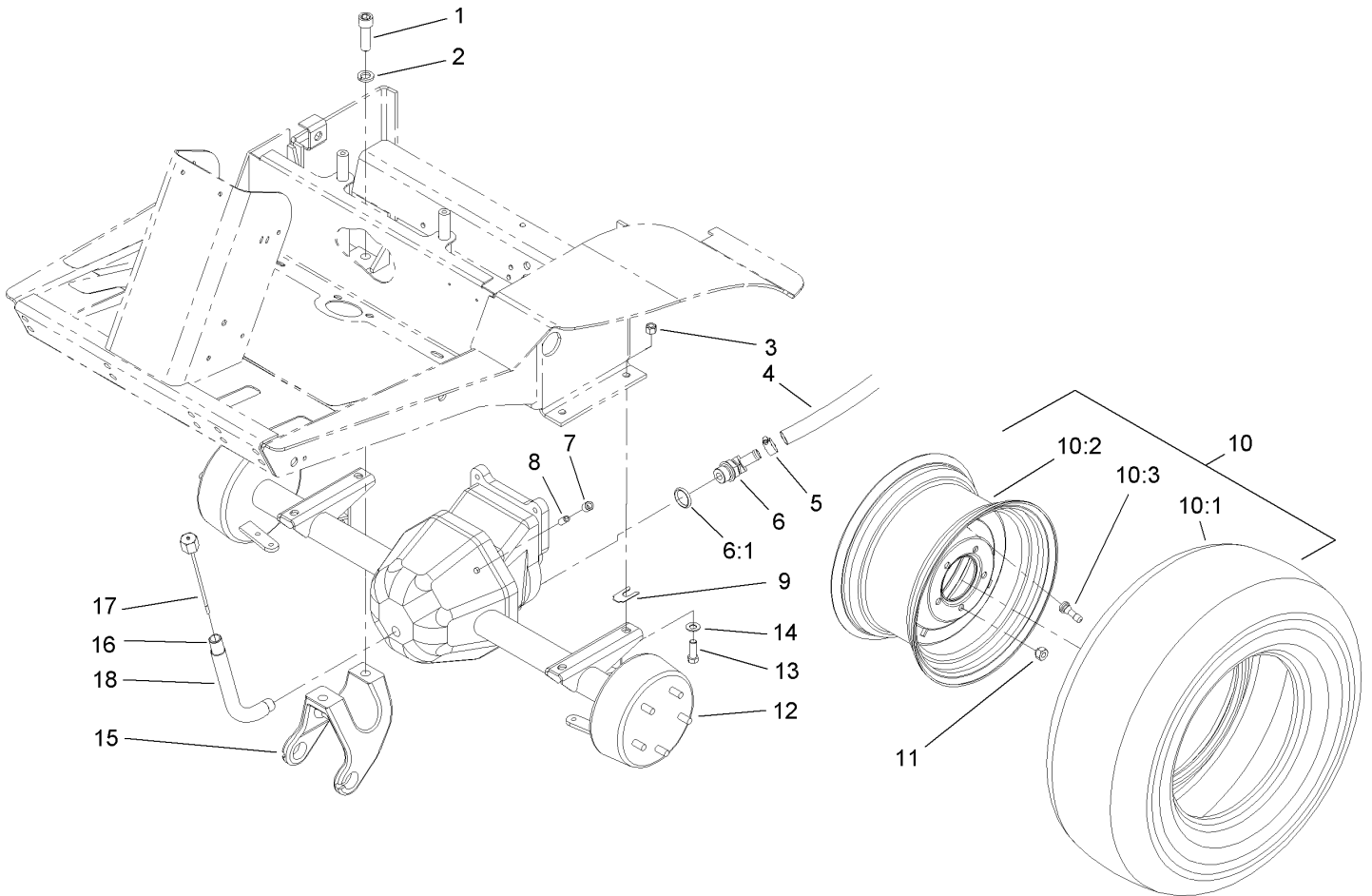
| Ref | Part No. | Qty. | Description |
|-----|-------------|------|----------------------------|
| 2 | 104-3446 | 1 | Hose-Outlet, Air |
| 3 | 3210-5 | 4 | Screw-HH |
| 4 | 27-6600 | 4 | Spacer-Coupling |
| 5 | 44-2230 | 2 | Coupling-Rubber |
| 6 | 3256-71 | 4 | Washer-Flat |
| 7 | 3253-4 | 2 | Washer-Lock |
| 8 | 3210-8 | 4 | Screw-HH |
| 9 | 32152-5 | 6 | Nut-Lock, Cone |
| 10 | 2412-42 | 3 | Clamp-Hose |
| 11 | 104-3444 | 1 | Hose-Inlet, Air |
| 12 | 322-6 | 2 | Screw-HH |
| 13 | 104-3427 | 1 | Air Cleaner ASM |
| 14 | 3256-23 | 2 | Washer-Flat |
| 15 | 3296-29 | 2 | Nut-Lock, NI |
| 16 | 27-6590 | 4 | Spacer-Coupling, Rubber |
| 17 | 27-4370 | 1 | Hub-Pump |
| 18 | 3241-6 | 2 | Screw-SQH |
| 19 | 104-3401-03 | 1 | Drive Shaft ASM |
| 20 | 99-3441 | 1 | Harness-Wire, Fusible Link |

| | | | |
|--|--|--|--|
| | | | |
|--|--|--|--|



Air Cleaner Assembly No. 104-3427

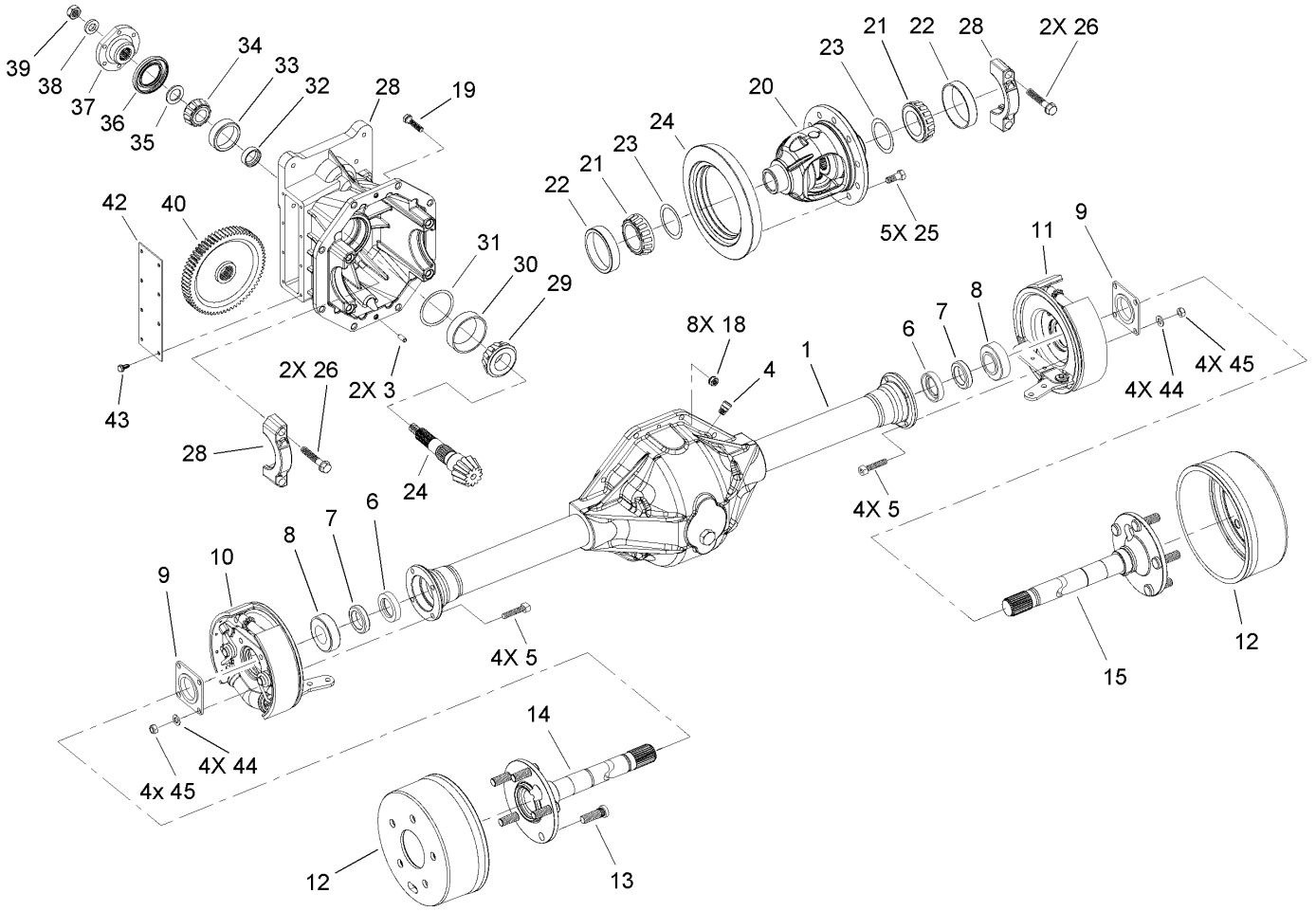
| Ref | Part No. | Qty. | Description |
|-----|----------|------|----------------------|
| 1 | 105-4292 | 1 | Nipple-Pipe |
| 2 | 104-0497 | 1 | Cover ASM |
| 5 | 104-4897 | 1 | Gasket |
| 6 | 98-4525 | 1 | Bracket-Cleaner, Air |
| 7 | 104-0498 | 1 | Valve-Vacuator |
| 8 | 108-3810 | 1 | Filter-Air |
| 9 | 93-9164 | 1 | Indicator-Mini |



Front Axle Assembly

| Ref | Part No. | Qty. | Description |
|------|-------------|------|------------------------|
| 1 | 3273-38 | 4 | Screw-HSH |
| 2 | 3253-8 | 4 | Washer-Lock |
| 3 | 3296-48 | 4 | Nut-Lock, NI |
| 4 | 92-5083 | 1 | Hose-HYD |
| 5 | 2412-119 | 1 | Clamp-Worm |
| 6 | 92-5088 | 1 | Fitting-Elbow, 45 DEG |
| 6:1 | 237-81 | 1 | O-Ring |
| 7 | 2810-1 | 1 | Coupling-Pipe |
| 8 | 289-6 | 1 | Nipple-Pipe |
| 9 | 42-6080 | 1 | Shim-Axle |
| 10 | | 2 | Wheel And Tire ASM |
| 10:1 | 108-6594 | 1 | Tire (23X9.5-12) 4-Ply |
| 10:2 | 108-1358 | 1 | Wheel |
| 10:3 | 232-27 | 1 | Stem-Valve |
| 11 | 242-50 | 10 | Nut-Lug |
| 12 | 108-6599-03 | 1 | Axle ASM |
| 13 | 324-5 | 4 | Screw-HH |
| 14 | 3256-25 | 4 | Washer-Flat |
| 15 | 110-9678-03 | 2 | Bracket-Carrier |
| 16 | 105-7169 | 1 | Tube-Fill, Oil |
| 17 | 105-7172 | 1 | Dipstick ASM |
| 18 | 110-5651 | 1 | Sleeve-Protective |

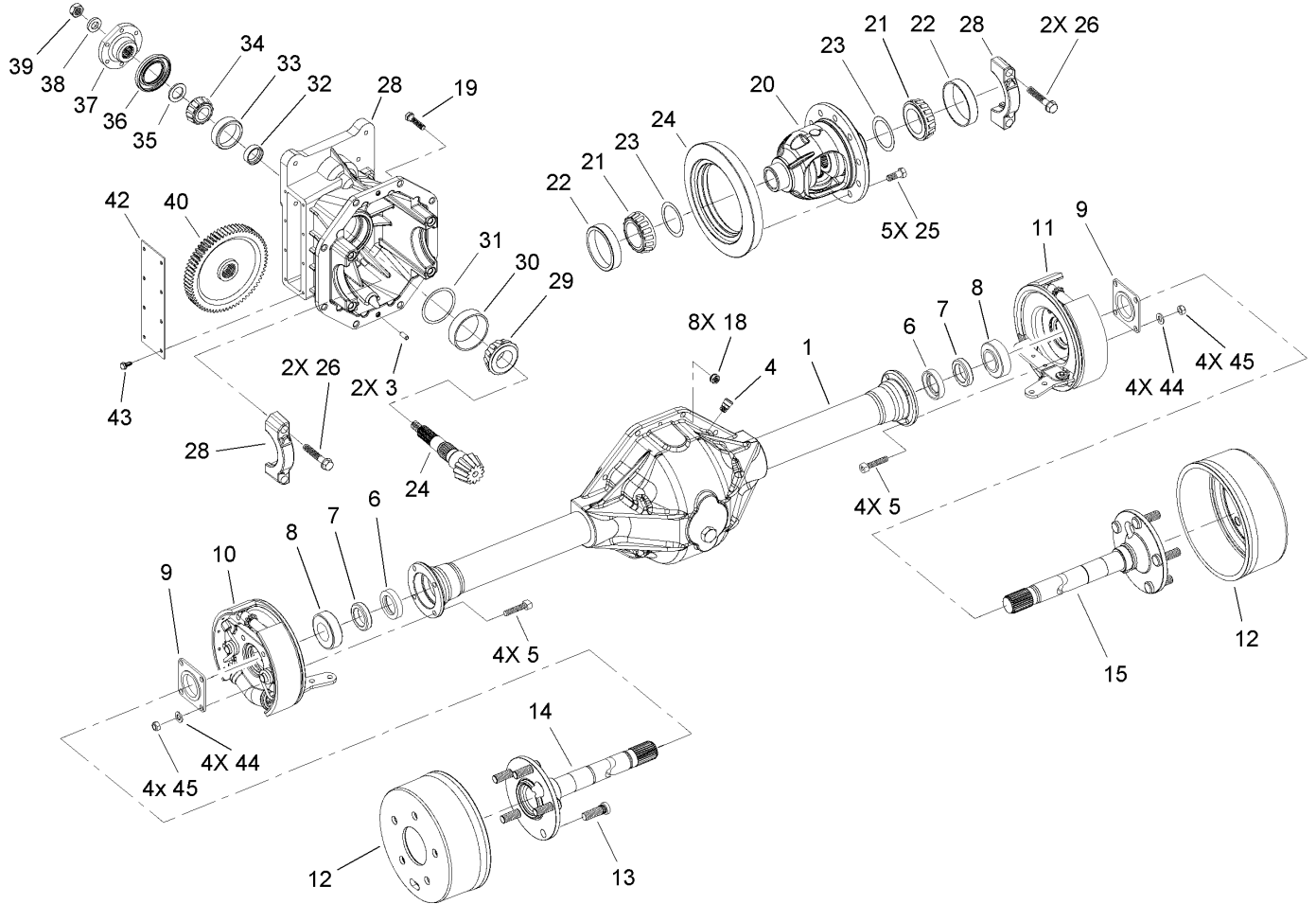
| | | | |
|--|--|--|--|
| | | | |
| | | | |
| | | | |
| | | | |



Front Axle Assembly No. 108-6599-03

| Ref | Part No. | Qty. | Description |
|-----|----------|------|-----------------------------------|
| 1 | 110-9670 | 1 | Lower Housing ASM |
| 3 | 21-8270 | 2 | Pin-Dowel |
| 4 | 72-9420 | 1 | Vent |
| 5 | 94-6934 | 8 | Screw-HH |
| 6 | 24-8840 | 2 | Ring-Retaining, Wheel Bearing |
| 7 | 99-6969 | 2 | Seal-Oil, Wheel End |
| 8 | 21-8180 | 2 | Bearing ASM |
| 9 | 28-0670 | 2 | Seal-Grease |
| 10 | | 1 | Brake ASM, RH |
| 11 | | 1 | Brake ASM, LH |
| 12 | 110-3072 | 2 | Drum-Brake |
| 13 | 106-9205 | 10 | Stud-Wheel |
| 14 | 110-3073 | 1 | Shaft-Axle, RH |
| 15 | 110-3074 | 1 | Shaft-Axle, LH |
| 18 | 32149-5 | 8 | Nut-Keps |
| 19 | 3210-8 | 8 | Screw-HH |
| 20 | 110-4136 | 1 | Differential Case ASM |
| 21 | 254-65 | 2 | Cone-Bearing, Roller |
| 22 | 254-66 | 2 | Cup-Bearing, Roller |
| 23 | 21-8090 | 1 | Shim-Bearing, Differential (.003) |
| 23 | 21-8100 | 1 | Shim-Bearing, Differential (.005) |
| 23 | 21-8110 | 1 | Shim-Bearing, Differential (.010) |
| 23 | 21-8120 | 1 | Shim-Bearing, Differential (.030) |
| 24 | 92-1676 | 1 | Gear And Pinion ASM |

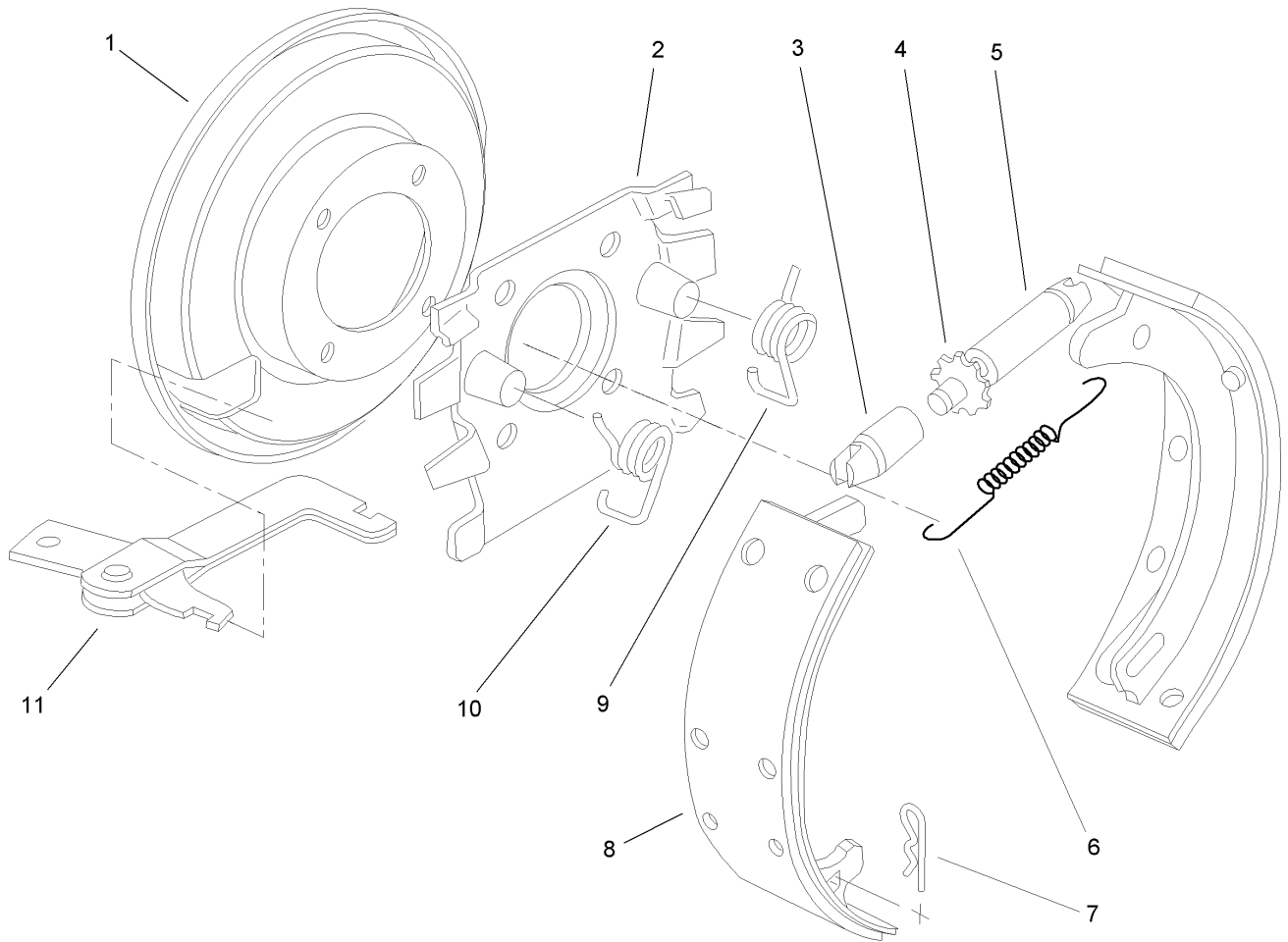
| Ref | Part No. | Qty. | Description |
|-----|----------|------|----------------------------|
| 25 | 21-7770 | 5 | Screw-Gear, Drive |
| 26 | 92-1773 | 4 | Screw-HHF |
| 28 | 110-3076 | 1 | Carrier ASM |
| 29 | 43-6760 | 1 | Bearing-Roller, Cone Taper |
| 30 | 43-6750 | 1 | Bearing-Taper, Cup |
| 31 | 43-6710 | 1 | Shim-Pinion (.003) |
| 31 | 43-6711 | 1 | Shim-Pinion (.005) |
| 31 | 43-6712 | 1 | Shim-Pinion (.010) |
| 31 | 43-6713 | 1 | Shim-Pinion (.030) |
| 32 | 21-8020 | 1 | Spacer-Bearing |
| 33 | 254-90 | 1 | Bearing-Cup |
| 34 | 254-91 | 1 | Cone-Bearing |
| 35 | 72-3570 | 1 | Shim-Bearing, Front (.094) |
| 35 | 72-3571 | 1 | Shim-Bearing, Front (.096) |
| 35 | 72-3572 | 1 | Shim-Bearing, Front (.098) |
| 35 | 72-3573 | 1 | Shim-Bearing, Front (.100) |
| 35 | 72-3574 | 1 | Shim-Bearing, Front (.102) |
| 35 | 72-3575 | 1 | Shim-Bearing, Front (.104) |
| 35 | 72-3576 | 1 | Shim-Bearing, Front (.106) |
| 35 | 72-3577 | 1 | Shim-Bearing, Front (.108) |
| 35 | 72-3578 | 1 | Shim-Bearing, Front (.110) |
| 35 | 72-3580 | 1 | Shim-Bearing, Front (.112) |
| 35 | 72-3581 | 1 | Shim-Bearing, Front (.114) |
| 35 | 72-3582 | 1 | Shim-Bearing, Front (.116) |



Front Axle Assembly No. 108-6599-03 (continued)

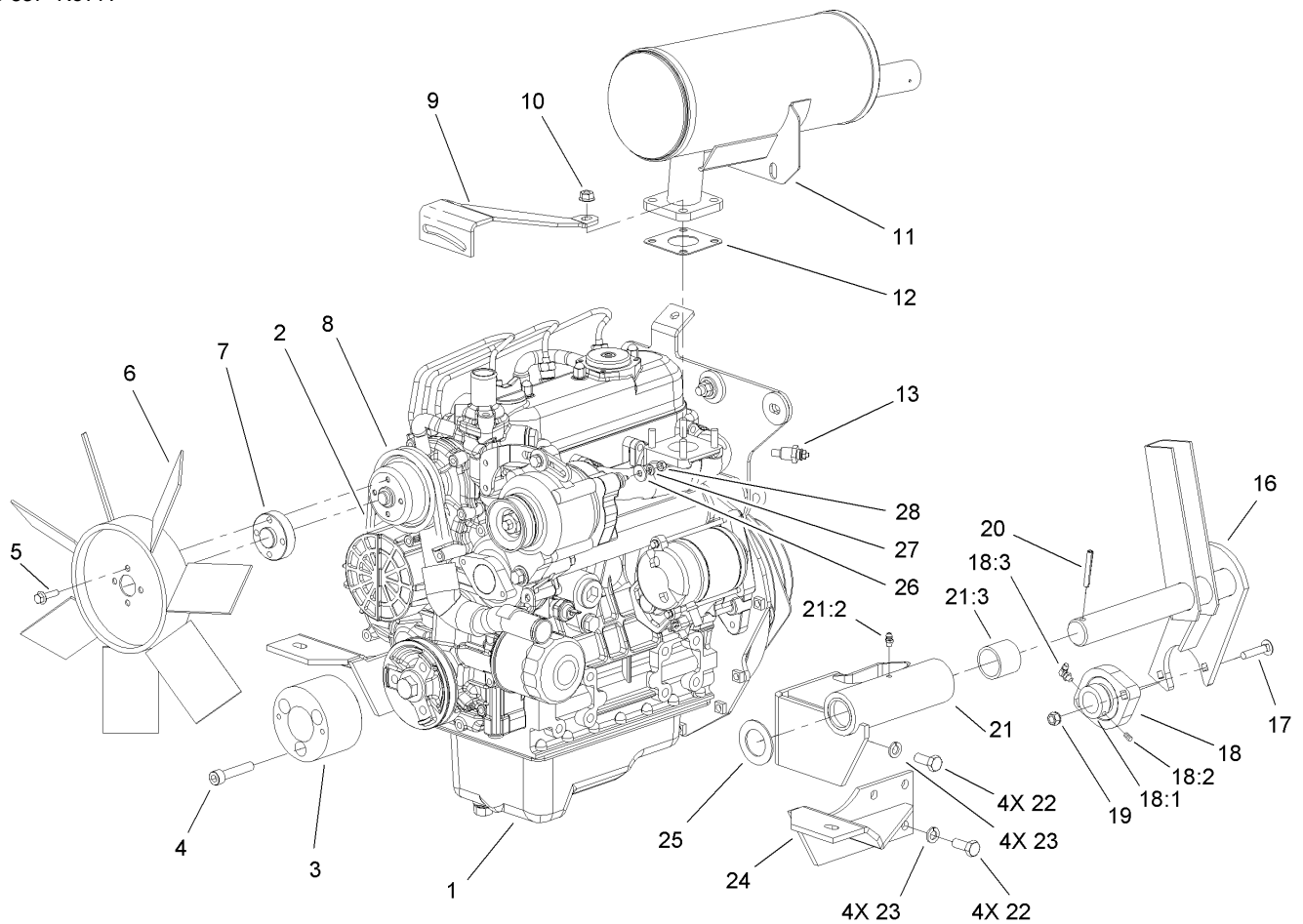
| Ref | Part No. | Qty. | Description |
|-----|----------|------|----------------------------|
| 35 | 72-3583 | 1 | Shim-Bearing, Front (.118) |
| 35 | 72-3584 | 1 | Shim-Bearing, Front (.120) |
| 35 | 72-3585 | 1 | Shim-Bearing, Front (.125) |
| 35 | 72-3586 | 1 | Shim-Bearing, Front (.127) |
| 35 | 72-3587 | 1 | Shim-Bearing, Front (.129) |
| 35 | 72-3588 | 1 | Shim-Bearing, Front (.131) |
| 35 | 72-3590 | 1 | Shim-Bearing, Front (.133) |
| 35 | 72-3591 | 1 | Shim-Bearing, Front (.135) |
| 35 | 72-3592 | 1 | Shim-Bearing, Front (.137) |
| 35 | 72-3593 | 1 | Shim-Bearing, Front (.139) |
| 35 | 72-3594 | 1 | Shim-Bearing, Front (.141) |
| 35 | 72-3595 | 1 | Shim-Bearing, Front (.143) |
| 35 | 72-3596 | 1 | Shim-Bearing, Front (.145) |
| 35 | 72-3597 | 1 | Shim-Bearing, Front (.147) |
| 35 | 72-3598 | 1 | Shim-Bearing, Front (.149) |
| 35 | 72-3600 | 1 | Shim-Bearing, Front (.151) |
| 36 | 71-4330 | 1 | Seal |
| 37 | 68-7010 | 1 | Flange |
| 38 | 71-4340 | 1 | Washer |
| 39 | 71-4350 | 1 | Nut |
| 40 | 86-7230 | 1 | Gear-Input, Transmission |
| 42 | 21-7830 | 1 | Cover-Gear |
| 43 | 12-5450 | 8 | Screw |
| 44 | 94-6936 | 8 | Washer-Hardened |

| Ref | Part No. | Qty. | Description |
|-----|----------|------|-------------|
| 45 | 94-6935 | 8 | Locknut |



Right and Left Hand Brake Assembly

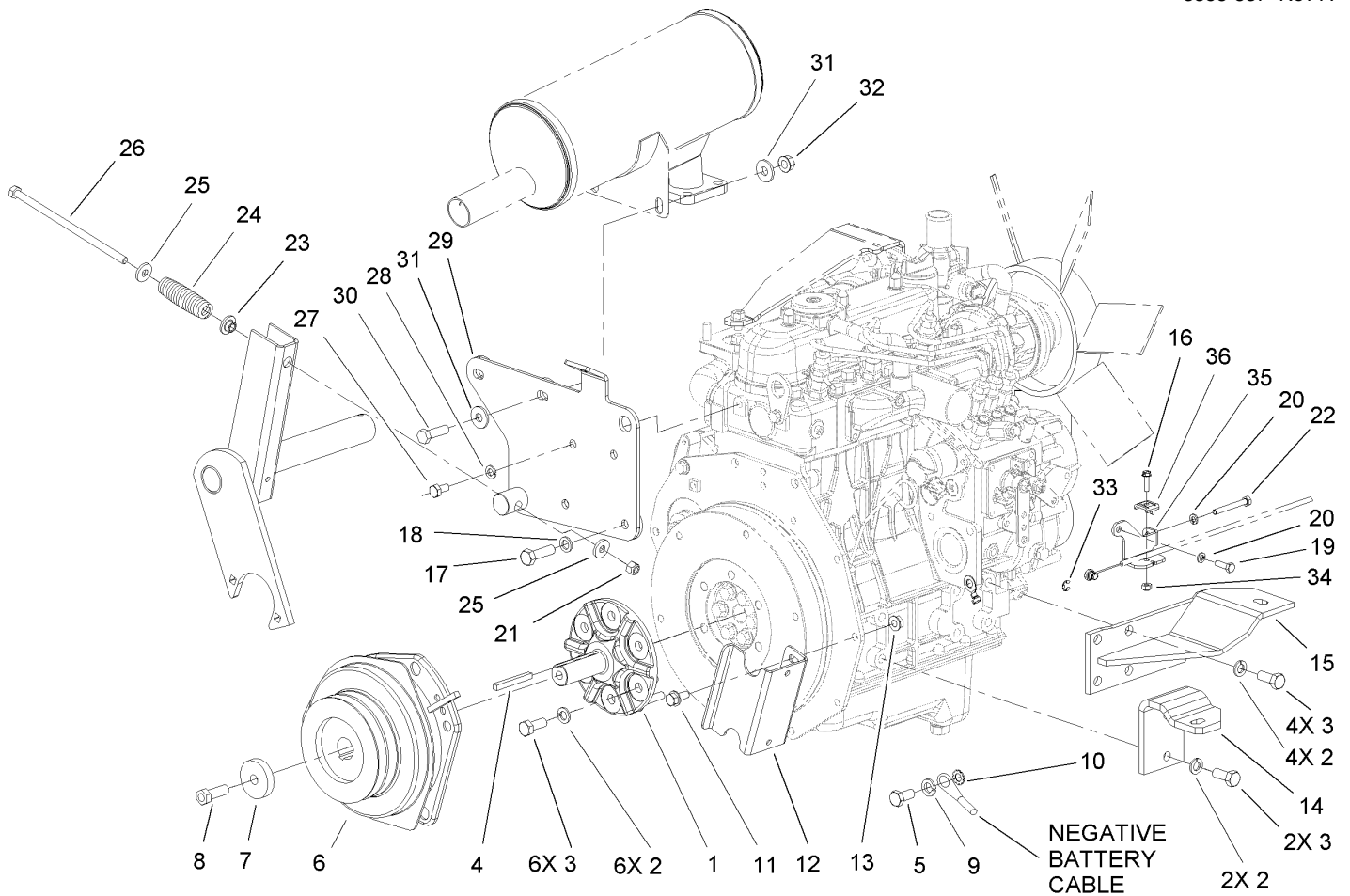
| Ref | Part No. | Qty. | Description |
|-----|----------|------|-------------------------|
| 1 | 21-9450 | 1 | Shield-Dust |
| 2 | 43-6810 | 1 | Spider-Torque |
| 3 | 21-9390 | 1 | Socket-Screw, Adjusting |
| 4 | 21-9370 | 1 | Screw-Adjusting |
| 5 | 21-9380 | 1 | Nut-Pivot |
| 6 | 21-9440 | 1 | Spring-Screw, Adjusting |
| 7 | 21-9460 | 2 | Retainer-Lever, Brake |
| 8 | 84-8600 | 1 | Set-Shoes, Lined |
| 9 | 21-9430 | 1 | Spring-Return, RH |
| 10 | 21-9420 | 1 | Spring-Return, LH |
| 11 | 24-9180 | 1 | Strut And Lever ASM |
| 12 | 92-8775 | 1 | Liquid Gasket Kit |



Engine Assembly No. 1

| Ref | Part No. | Qty. | Description |
|------|-------------|------|-------------------------|
| 1 | 114-2885 | 1 | Engine ASM-Kubota |
| 2 | 104-3494 | 1 | Belt-V |
| 3 | 104-1723 | 1 | Adapter-Front Drive |
| 4 | 3274-106 | 3 | Screw-HSH |
| 5 | 33103-020 | 4 | Screw-HHF |
| 6 | 104-4246 | 1 | Fan-Engine |
| 7 | 104-4247 | 1 | Spacer-Fan |
| 8 | 104-3497 | 1 | Pulley-Fan |
| 9 | 105-2556-03 | 1 | Brace-Alternator, Upper |
| 10 | 33004-00 | 4 | Nut-HF |
| 11 | 108-1363 | 1 | Muffler-Exhaust |
| 12 | 98-9611 | 1 | Gasket |
| 13 | 108-8682 | 1 | Thermoswitch |
| 16 | 106-4381-03 | 1 | PTO Tension Shaft ASM |
| 17 | 3230-4 | 2 | Screw-CARR |
| 18 | 92-8799 | 1 | Bearing-Flange |
| 18:1 | 251-77 | 1 | Collar-Lock, Bearing |
| 18:2 | 3245-35 | 1 | Screw-Set |
| 18:3 | 302-40 | 1 | Fitting-Grease |
| 19 | 32149-1 | 2 | Nut-Keys |
| 20 | 32121-32 | 1 | Pin-Roll |
| 21 | 104-3417 | 1 | LH Engine Mount ASM |
| 21:2 | 302-5 | 1 | Fitting-Grease |
| 21:3 | 256-299 | 2 | Bushing-Straight |

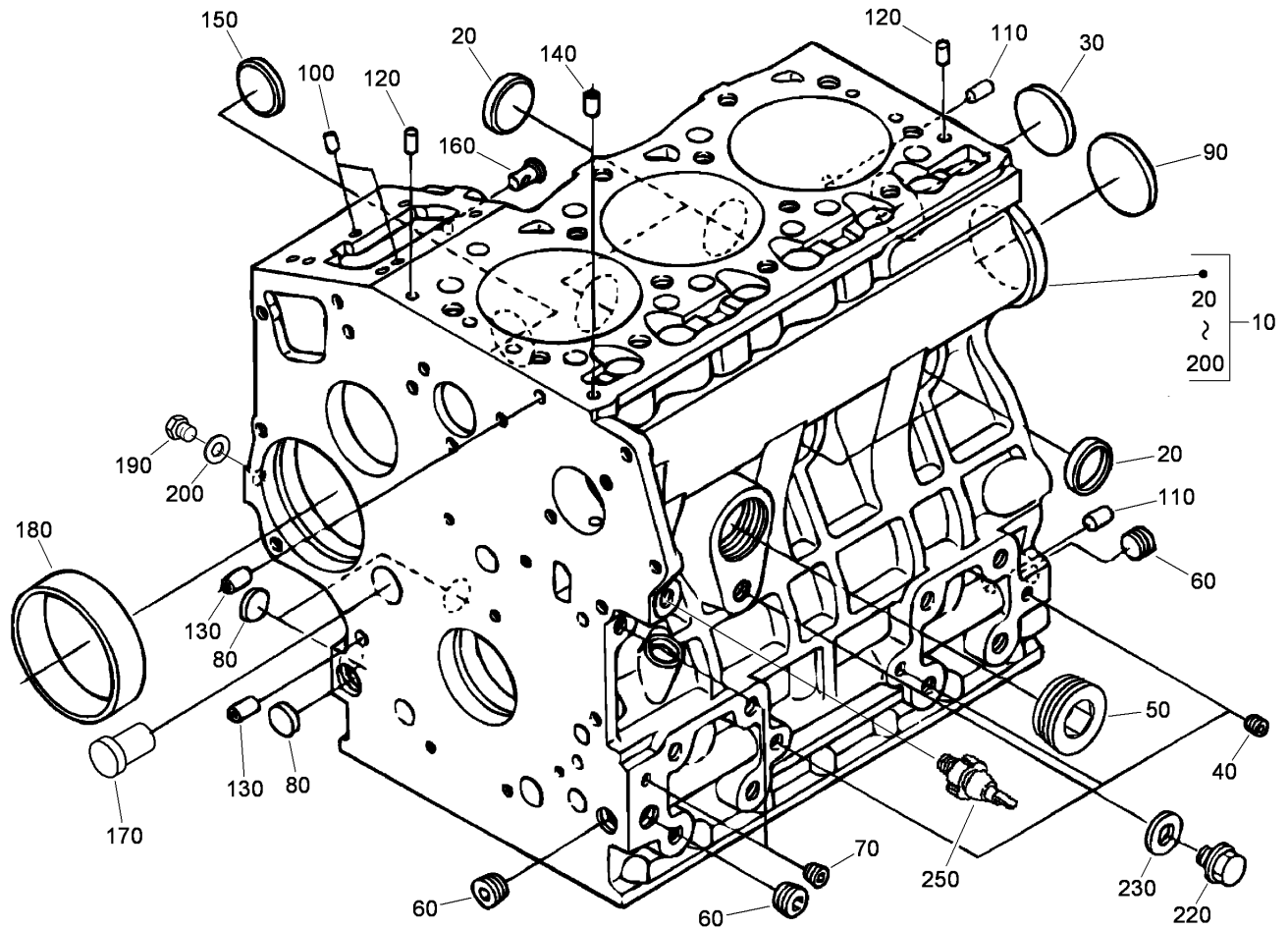
| Ref | Part No. | Qty. | Description |
|-----|-------------|------|---------------------|
| 22 | 43-0090 | 8 | Screw-HH |
| 23 | 42-9600 | 8 | Washer-Lock, Spring |
| 24 | 104-1702-03 | 1 | Engine Mount ASM |
| 25 | 3-4324 | 1 | Washer-Flat |
| 26 | 3256-22 | 1 | Washer-Flat |
| 27 | 43-5930 | 1 | Washer-Spring |
| 28 | 33013-00 | 1 | Nut-Hex |



Engine Assembly No. 2

| Ref | Part No. | Qty. | Description |
|-----|-------------|------|-----------------------------|
| 1 | 104-1715 | 1 | Hub-Clutch |
| 2 | 42-9600 | 12 | Washer-Lock, Spring |
| 3 | 43-0090 | 12 | Screw-HH |
| 4 | 63-8150 | 1 | Key-Square |
| 5 | 63-7790 | 1 | Screw-Cap |
| 6 | 107-9061 | 1 | Electric Clutch / Brake ASM |
| 7 | 105-3698 | 1 | Spacer |
| 8 | 3212-5 | 1 | Screw-HH |
| 9 | 3253-6 | 1 | Washer-Lock |
| 10 | 3255-9 | 1 | Washer-Lock |
| 11 | 3234-5 | 2 | Screw-HHF |
| 12 | 108-6586-03 | 1 | Stop-Clutch |
| 13 | 32128-25 | 2 | Nut-HF |
| 14 | 104-1713-03 | 1 | Mount-Engine |
| 15 | 104-1710-03 | 1 | Engine Mount ASM |
| 16 | 32105-13 | 1 | Screw-HWH |
| 17 | 56-2140 | 2 | Bolt |
| 18 | 48-9590 | 2 | Washer-Lock |
| 19 | 48-7630 | 1 | Screw |
| 20 | 48-8020 | 2 | Washer-Spring |
| 21 | 3296-29 | 1 | Nut-Lock, NI |
| 22 | 33113-050 | 1 | Screw-HH |
| 23 | 27-6600 | 1 | Spacer-Coupling |
| 24 | 21-0400-01 | 1 | Spring-Compression |

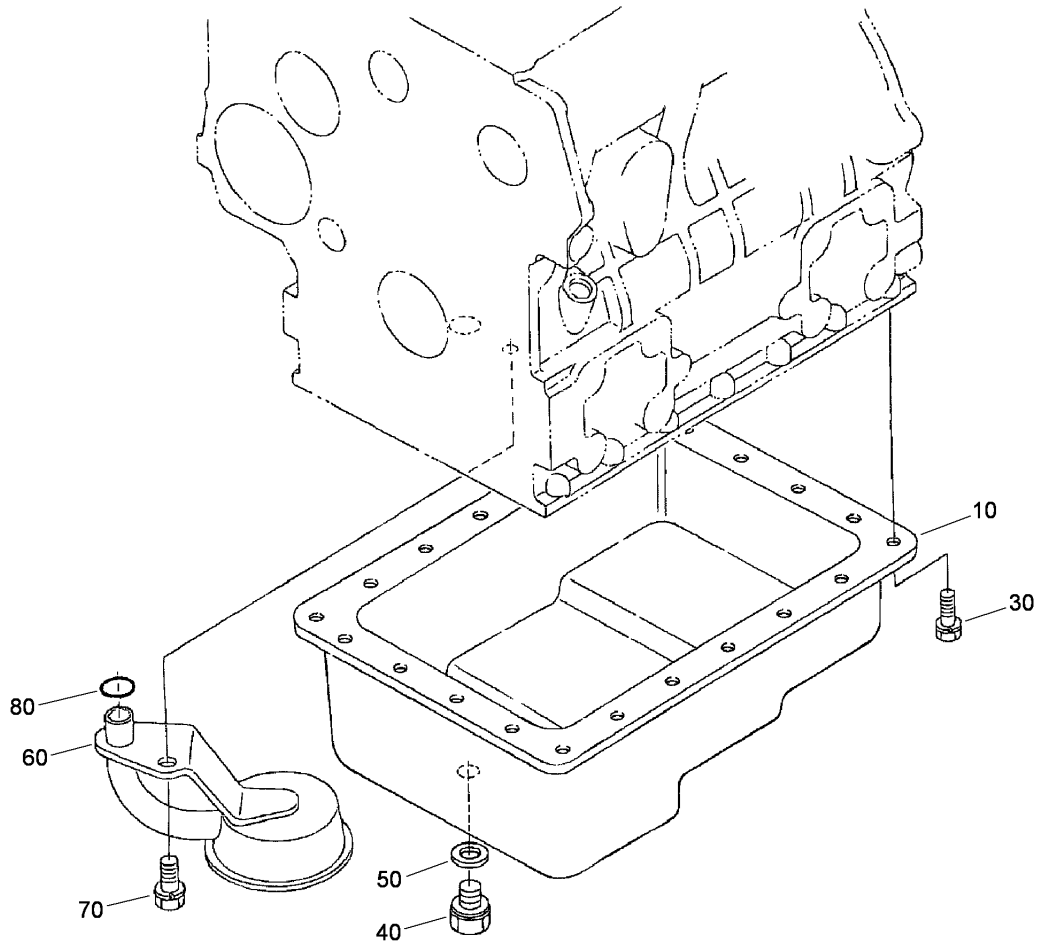
| Ref | Part No. | Qty. | Description |
|-----|-------------|------|-------------------|
| 25 | 4-2390 | 2 | Washer-Flat |
| 26 | 110-9696 | 1 | Bolt-HH |
| 27 | 33114-016 | 2 | Screw-HH |
| 28 | 3253-4 | 2 | Washer-Lock |
| 29 | 108-6561-03 | 1 | Muffler Mount ASM |
| 30 | 323-44 | 2 | Screw-HH |
| 31 | 80-6990 | 4 | Washer-Hardened |
| 32 | 32128-21 | 2 | Nut-HF |
| 33 | 701197 | 1 | E-Ring |
| 34 | 3296-2 | 1 | Nut-Lock |
| 35 | 110-9682-03 | 1 | Bracket-Throttle |
| 36 | 81-1690 | 1 | Clamp-Cable |



Crankcase Assembly

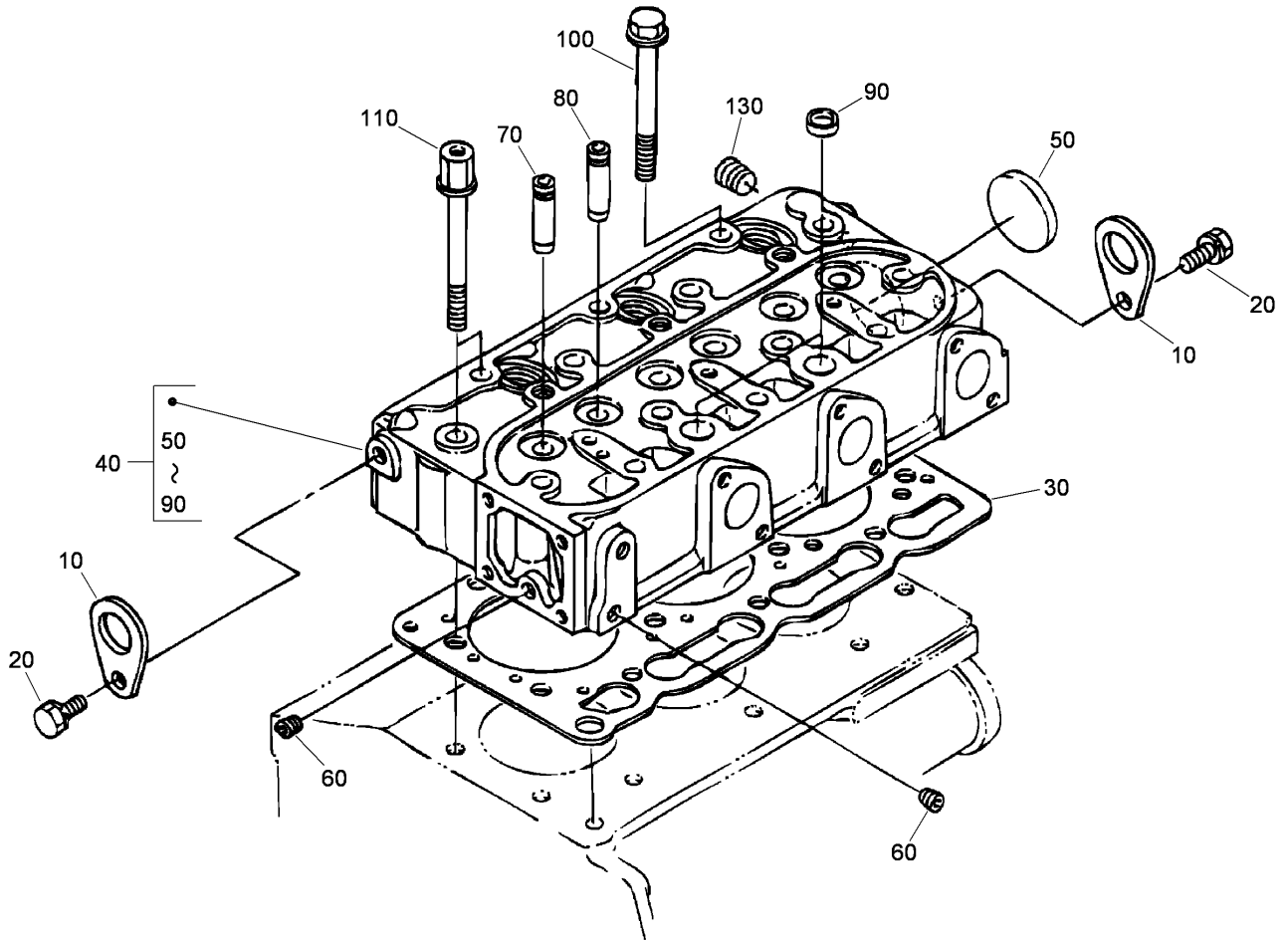
| Ref | Part No. | Qty. | Description |
|-----|----------|------|------------------------|
| 10 | 108-6571 | 1 | Crankcase ASM |
| 20 | 98-9398 | 4 | Cap-Sealing |
| 30 | 98-7539 | 1 | Cap-Sealing |
| 40 | 98-9687 | 3 | Plug |
| 50 | 105-3779 | 1 | Plug |
| 60 | 98-9597 | 3 | Plug |
| 70 | 98-7487 | 2 | Plug |
| 80 | 98-9379 | 3 | Plug |
| 90 | 98-9668 | 1 | Plug |
| 100 | 98-9375 | 2 | Pin-Straight |
| 110 | 98-9377 | 2 | Pin-Straight |
| 120 | 105-3795 | 2 | Pin-Straight |
| 130 | 98-9387 | 2 | Pin-Pipe |
| 140 | 98-9539 | 1 | Pin-Pipe |
| 150 | 98-9599 | 1 | Plug |
| 160 | 98-9630 | 1 | Pin-Spring, Start |
| 170 | 98-9675 | 1 | Plug |
| 180 | 98-9656 | 1 | Bushing-Governor, Gear |
| 190 | 98-7507 | 1 | Plug |
| 200 | 98-7428 | 1 | Gasket |
| 220 | 99-3447 | 1 | Plug |
| 230 | 106-7056 | 1 | Gasket |
| 250 | 98-9416 | 1 | Switch-Oil |

| | | | |
|--|--|--|--|
| | | | |
| | | | |
| | | | |
| | | | |



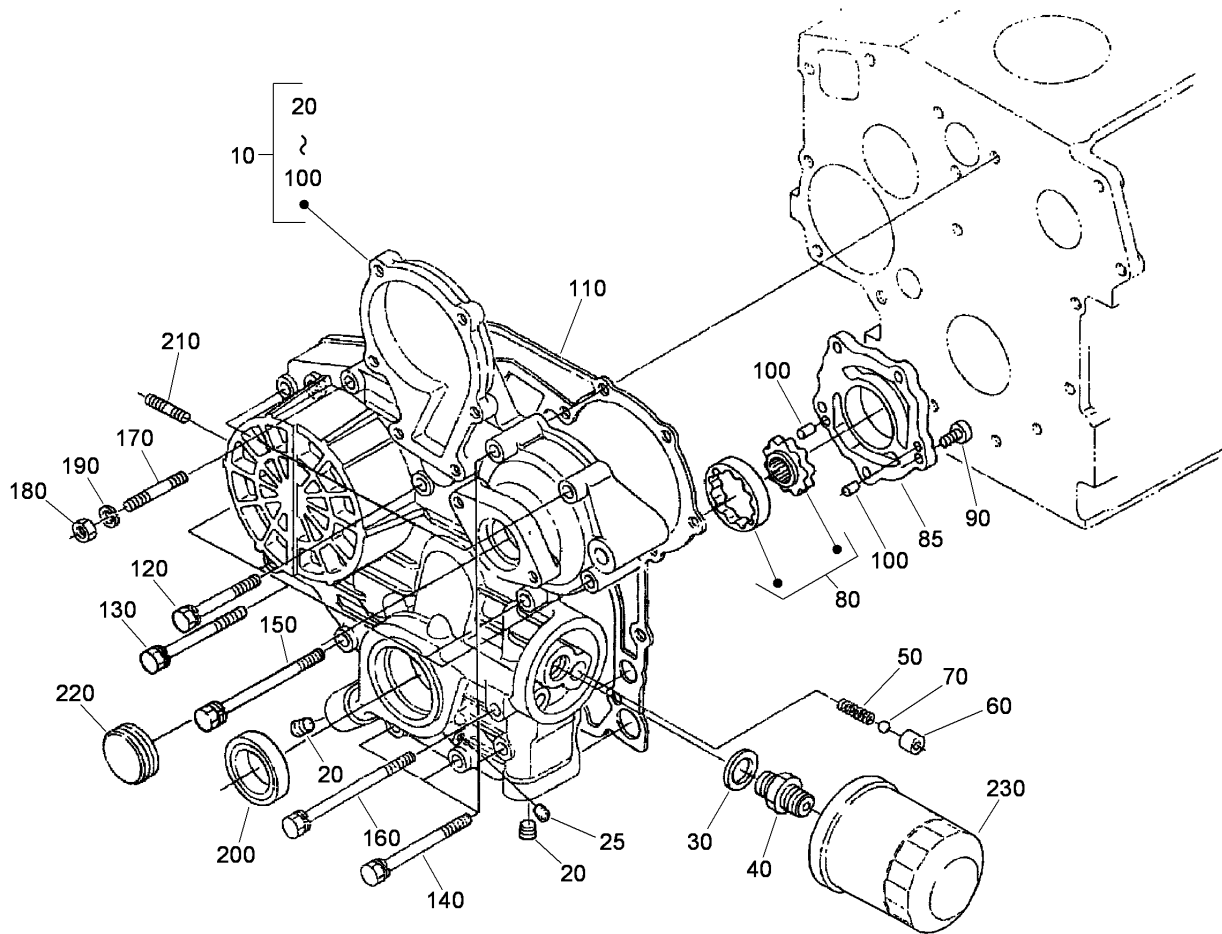
Oil Pan Assembly

| Ref | Part No. | Qty. | Description |
|-----|----------|------|--------------------|
| 10 | 104-3495 | 1 | Pan-Oil |
| 30 | 107-9065 | 22 | Bolt |
| 40 | 108-6572 | 1 | Plug-Drain |
| 50 | 98-7524 | 1 | Gasket |
| 60 | 104-3496 | 1 | Filter-Pickup, Oil |
| 70 | 98-7526 | 1 | Bolt |
| 80 | 105-3776 | 1 | O-Ring |



Cylinder Head Assembly

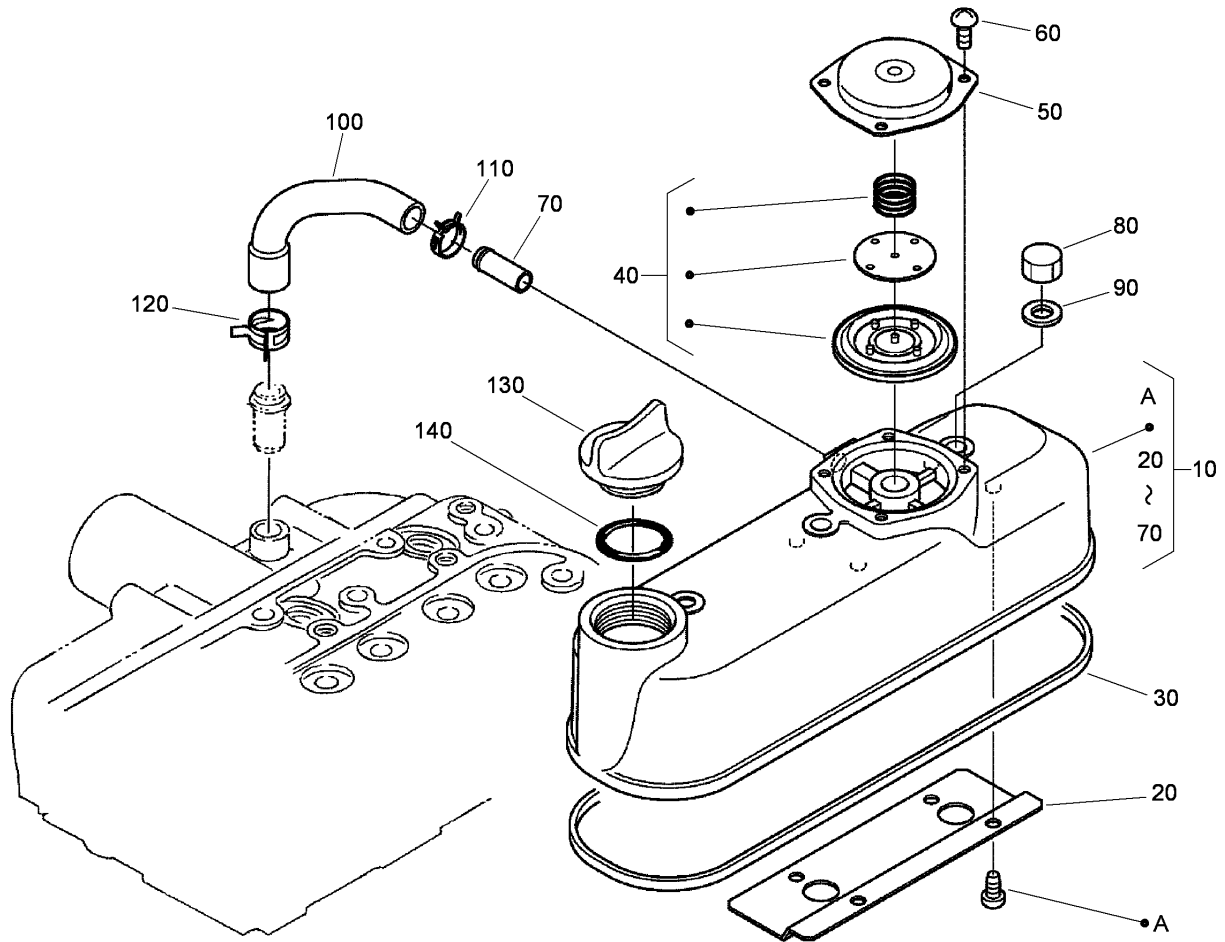
| Ref | Part No. | Qty. | Description |
|-----|----------|------|-----------------------|
| 10 | 98-7531 | 2 | Hook-Engine |
| 20 | 100-9195 | 2 | Bolt |
| 30 | 108-6573 | 1 | Gasket-Head, Cylinder |
| 40 | 108-6574 | 1 | Cylinder Head ASM |
| 50 | 105-3705 | 1 | Cap-Sealing |
| 60 | 98-9687 | 2 | Plug |
| 70 | 107-9066 | 3 | Guide-Valve, Inlet |
| 80 | 107-9067 | 3 | Guide-Valve, Exhaust |
| 90 | 98-9389 | 2 | Cap-Sealing |
| 100 | 98-9479 | 1 | Bolt-Head, Cylinder |
| 110 | 98-9647 | 2 | Bolt-Head, Cylinder |
| 130 | 98-9444 | 1 | Plug |



Gear Case Assembly

| Ref | Part No. | Qty. | Description |
|-----|----------|------|--------------------|
| 10 | 107-9068 | 1 | Gear Case ASM |
| 20 | 98-9598 | 2 | Plug |
| 25 | 98-7487 | 1 | Plug |
| 30 | 98-7562 | 1 | Washer-Plain |
| 40 | 98-9388 | 1 | Joint-Pipe |
| 50 | 98-9544 | 1 | Spring |
| 60 | 98-9543 | 1 | Seat-Valve |
| 70 | 98-9380 | 1 | Ball |
| 80 | 98-9540 | 1 | Oil Pump Rotor ASM |
| 85 | 107-9069 | 1 | Cover-Pump, Oil |
| 90 | 107-9071 | 5 | Screw |
| 100 | 107-9072 | 2 | Pin-Straight |
| 110 | 98-9633 | 1 | Gasket-Case, Gear |
| 120 | 107-9073 | 3 | Bolt |
| 130 | 105-3797 | 4 | Bolt |
| 140 | 98-9356 | 4 | Bolt |
| 150 | 107-9074 | 1 | Bolt |
| 160 | 98-9586 | 1 | Bolt |
| 170 | 105-3709 | 1 | Stud |
| 180 | 98-7572 | 1 | Nut |
| 190 | 98-7699 | 1 | Washer-Spring |
| 200 | 98-9482 | 1 | Seal-Oil |
| 210 | 105-3710 | 2 | Stud |
| 220 | 98-9641 | 1 | Cover |

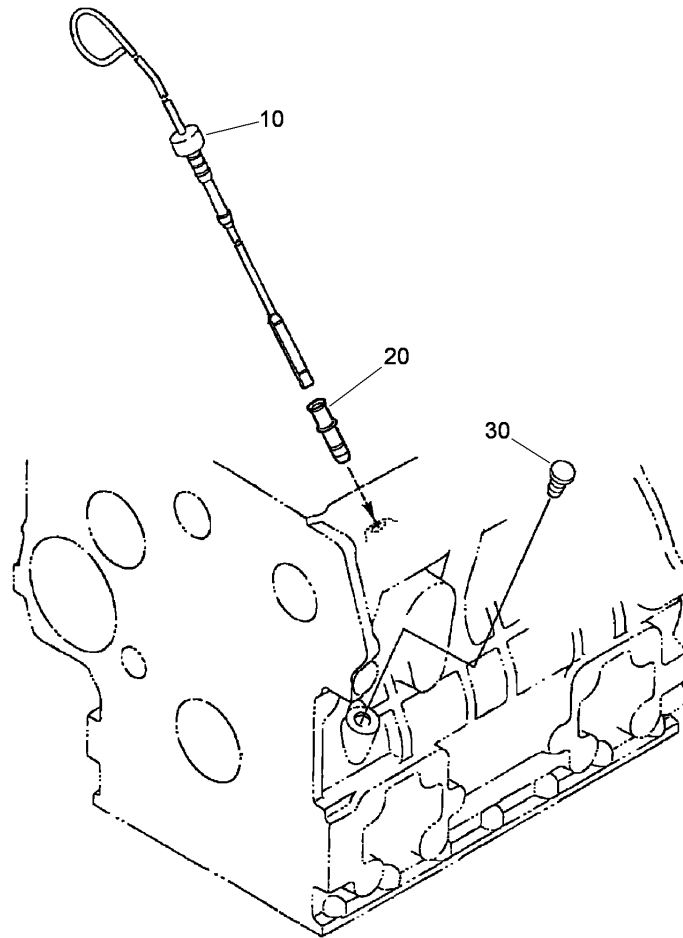
| Ref | Part No. | Qty. | Description |
|-----|----------|------|-------------|
| 230 | 108-3841 | 1 | Filter-Oil |



Head Cover Assembly

| Ref | Part No. | Qty. | Description |
|-----|----------|------|-------------------------|
| 10 | 108-6575 | 1 | Cylinder Head Cover ASM |
| 20 | 108-2857 | 1 | Shield-Breather |
| 30 | 98-9615 | 1 | Gasket-Cover, Head |
| 40 | 108-2861 | 1 | Breather Valve ASM |
| 50 | 108-2862 | 1 | Cover-Breather |
| 60 | 108-2863 | 4 | Screw-PPH |
| 70 | 98-7766 | 1 | Pipe-Return, Water |
| 80 | 98-9455 | 3 | Nut-Cap |
| 90 | 98-9454 | 3 | Gasket |
| 100 | 108-2858 | 1 | Tube-Beather |
| 110 | 108-2859 | 1 | Clamp-Hose |
| 120 | 108-2860 | 1 | Clamp-Hose |
| 130 | 107-9075 | 1 | Plug-Filler, Oil |
| 140 | 99-3446 | 1 | O-Ring |

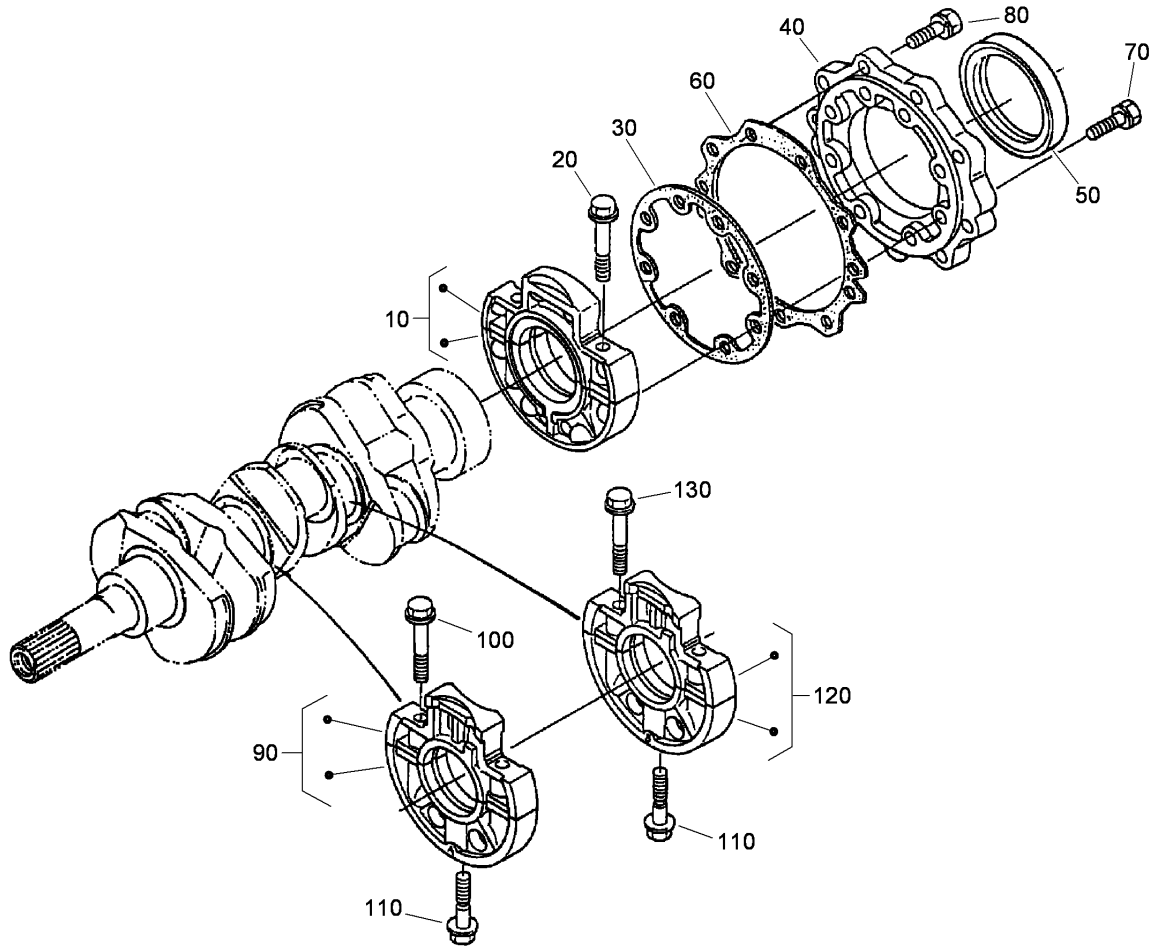
| | | | |
|--|--|--|--|
| | | | |
|--|--|--|--|



Dipstick and Guide Assembly

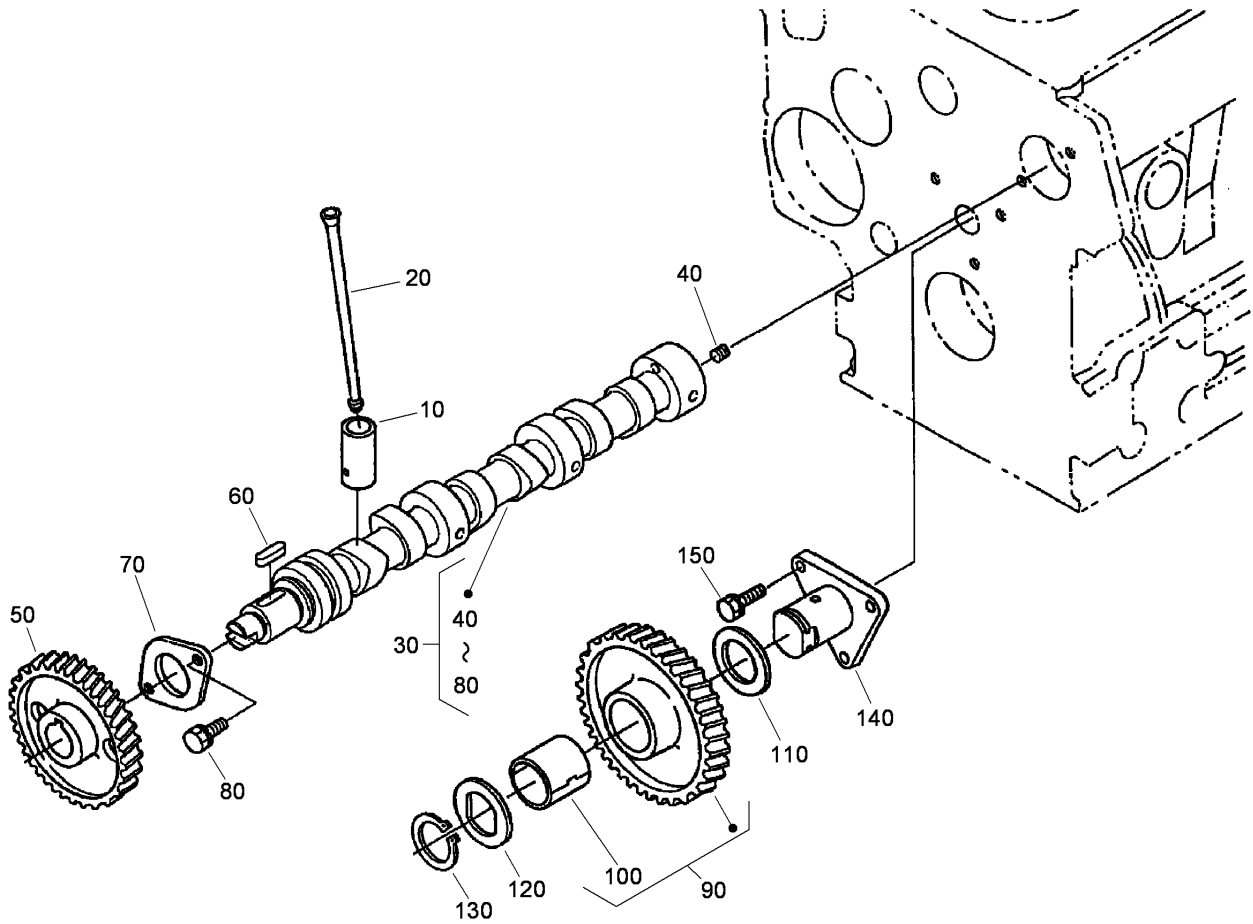
| Ref | Part No. | Qty. | Description |
|-----|----------|------|-----------------|
| 10 | 107-9076 | 1 | Gauge-Oil |
| 20 | 105-4580 | 1 | Guide |
| 30 | 105-3715 | 1 | Plug-Gauge, Oil |
| | | | |
| | | | |
| | | | |
| | | | |
| | | | |
| | | | |
| | | | |
| | | | |

| | | | |
|--|--|--|--|
| | | | |
| | | | |
| | | | |
| | | | |
| | | | |
| | | | |
| | | | |
| | | | |
| | | | |
| | | | |
| | | | |
| | | | |



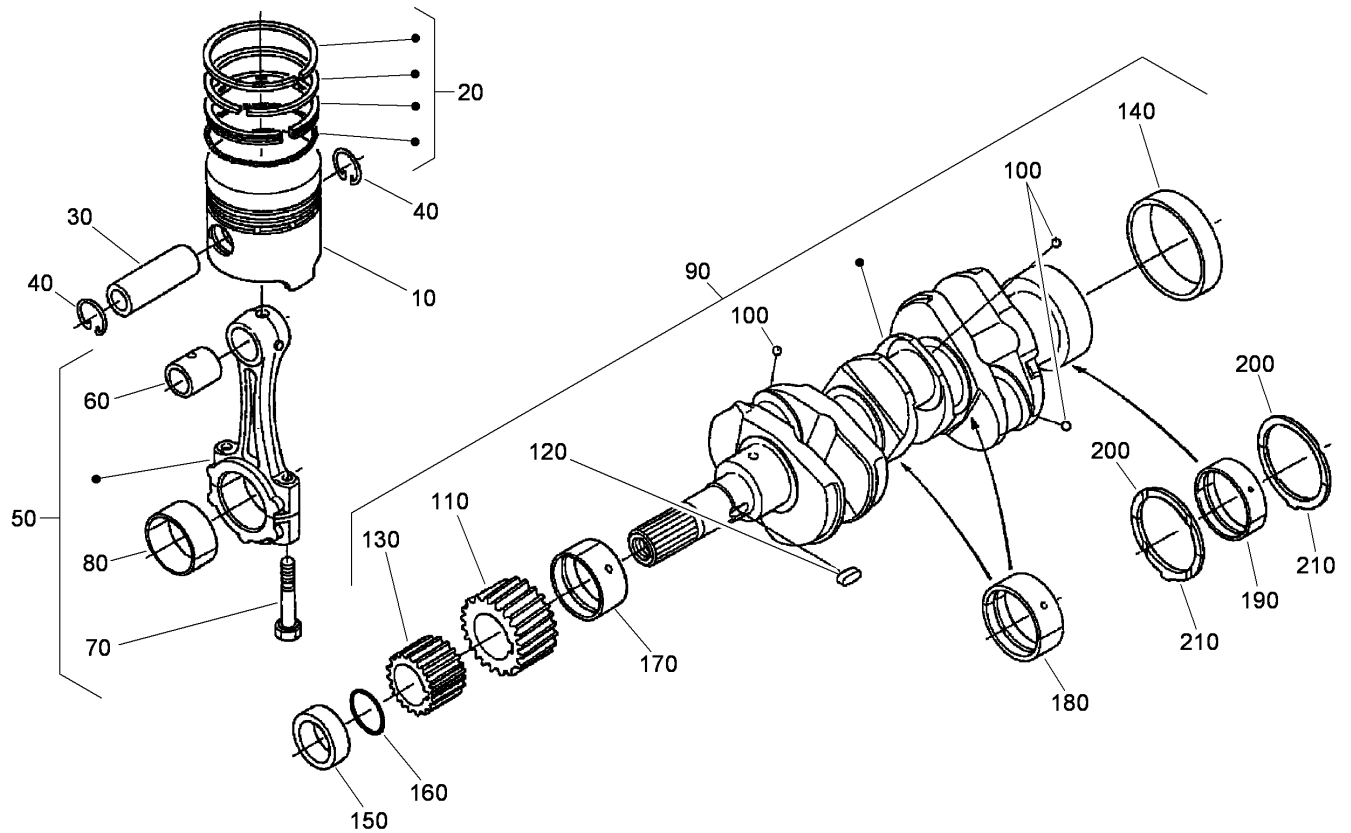
Main Bearing Case Assembly

| Ref | Part No. | Qty. | Description |
|-----|----------|------|----------------------------|
| 10 | 98-9480 | 1 | Main Bearing Case ASM |
| 20 | 98-9484 | 6 | Bolt-Case, Bearing |
| 30 | 98-9634 | 1 | Gasket-Case, Bearing |
| 40 | 98-9487 | 1 | Cover-Case, Bearing |
| 50 | 112-0180 | 1 | Seal-Oil |
| 60 | 98-9635 | 1 | Gasket-Cover, Bearing Case |
| 70 | 98-9352 | 8 | Bolt |
| 80 | 98-7568 | 9 | Bolt |
| 90 | 98-9606 | 1 | Main Bearing Case ASM |
| 100 | 98-9484 | 2 | Bolt-Case, Bearing |
| 110 | 98-9485 | 2 | Bolt-Case, Bearing |
| 120 | 98-9607 | 1 | Main Bearing Case ASM |
| 130 | 98-9484 | 2 | Bolt-Case, Bearing |



Camshaft and Idle Gear Shaft Assembly

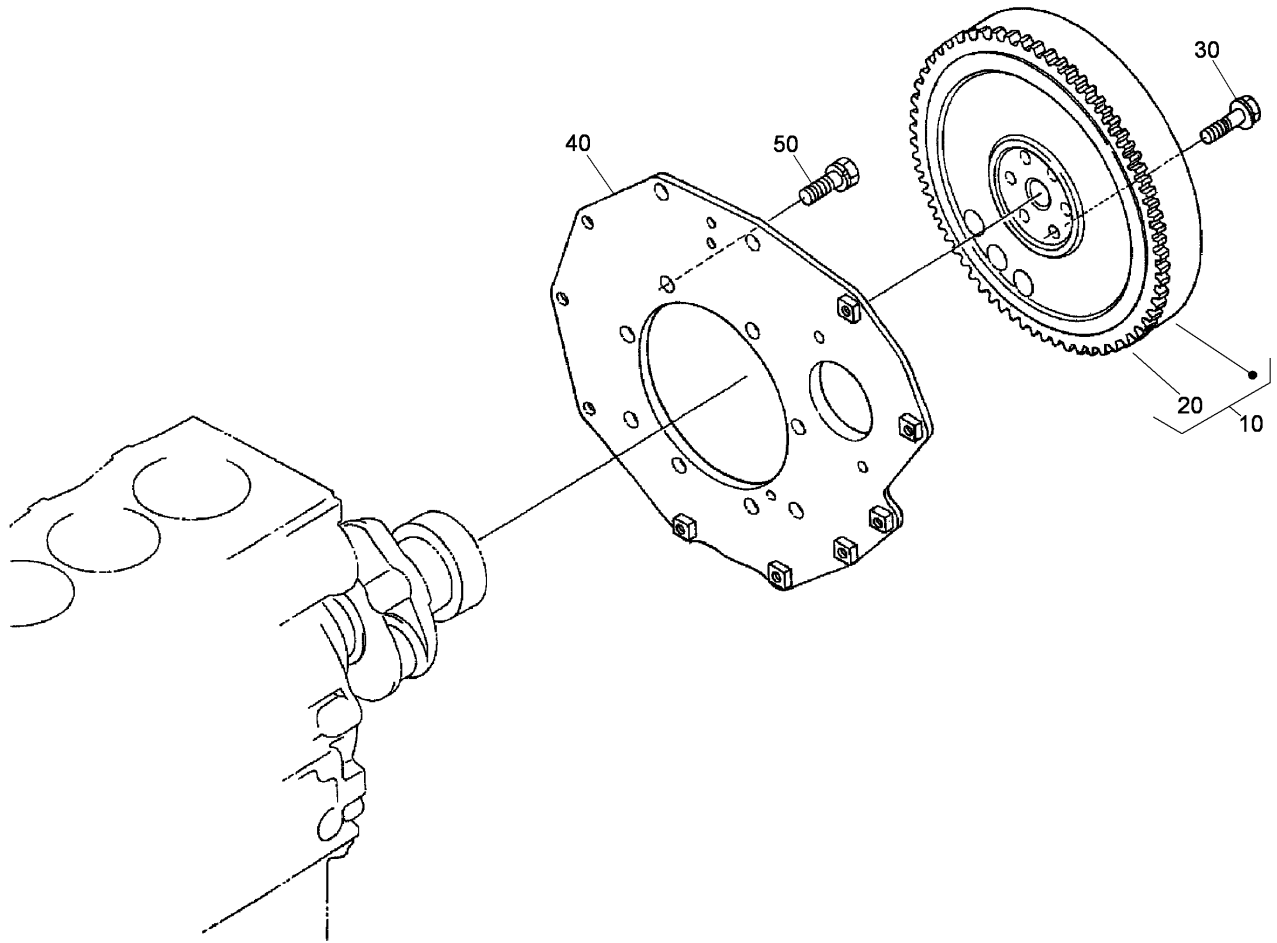
| Ref | Part No. | Qty. | Description |
|-----|----------|------|--------------------------|
| 10 | 98-9616 | 6 | Tappet |
| 20 | 98-9509 | 6 | Rod-Push |
| 30 | 108-6576 | 1 | Camshaft ASM |
| 40 | 98-7449 | 1 | Screw-Set |
| 50 | 98-9512 | 1 | Gear-Cam |
| 60 | 98-9378 | 1 | Key-Feather |
| 70 | 98-9510 | 1 | Stopper-Camshaft |
| 80 | 98-9351 | 2 | Bolt |
| 90 | 98-9649 | 1 | Idle Gear ASM |
| 100 | 98-9650 | 1 | Bushing-Gear, Idle |
| 110 | 98-9535 | 1 | Collar-Gear, Idle |
| 120 | 98-9536 | 1 | Collar-Gear, Idle |
| 130 | 98-9534 | 1 | Clip-Circular, Idle Gear |
| 140 | 98-9533 | 1 | Shaft-Gear, Idle |
| 150 | 98-7692 | 3 | Bolt |



Piston and Crankshaft Assembly

| Ref | Part No. | Qty. | Description |
|-----|----------|------|----------------------------|
| 10 | 112-8415 | 3 | Piston ASM |
| 10 | 112-8404 | 3 | Piston |
| 20 | 98-9619 | 3 | Piston Ring ASM (0.5Mm) |
| 20 | 98-9618 | 3 | Piston Ring ASM (STD) |
| 30 | 98-9513 | 3 | Pin-Piston |
| 40 | 98-9514 | 6 | Clip-Circular, Piston Pin |
| 50 | 98-9516 | 3 | Connecting Rod ASM |
| 60 | 98-9515 | 3 | Bushing-Pin, Piston |
| 70 | 98-9517 | 6 | Bolt-Rod, Connecting |
| 80 | 98-9520 | 3 | Bearing-Rod (0.4Mm) |
| 80 | 98-9519 | 3 | Bearing-Rod (0.2Mm) |
| 80 | 98-9518 | 3 | Metal-Crankpin (STD) |
| 90 | 98-9642 | 1 | Crankshaft ASM |
| 100 | 110-3729 | 3 | Ball |
| 110 | 98-9532 | 1 | Gear-Crankshaft |
| 120 | 98-9666 | 1 | Key |
| 130 | 98-9542 | 1 | Gear-Drive, Oil Pump |
| 140 | 98-9522 | 1 | Sleeve-Crankshaft |
| 150 | 98-9521 | 1 | Collar-Crankshaft |
| 160 | 105-3783 | 1 | O-Ring |
| 170 | 98-9523 | 1 | Metal Crankshaft (STD) |
| 170 | 98-9528 | 1 | Bearing-Main (0.2Mm) |
| 170 | 98-9529 | 1 | Bearing-Main (0.4Mm) |
| 180 | 98-9524 | 2 | Metal-Crankshaft (STD Set) |

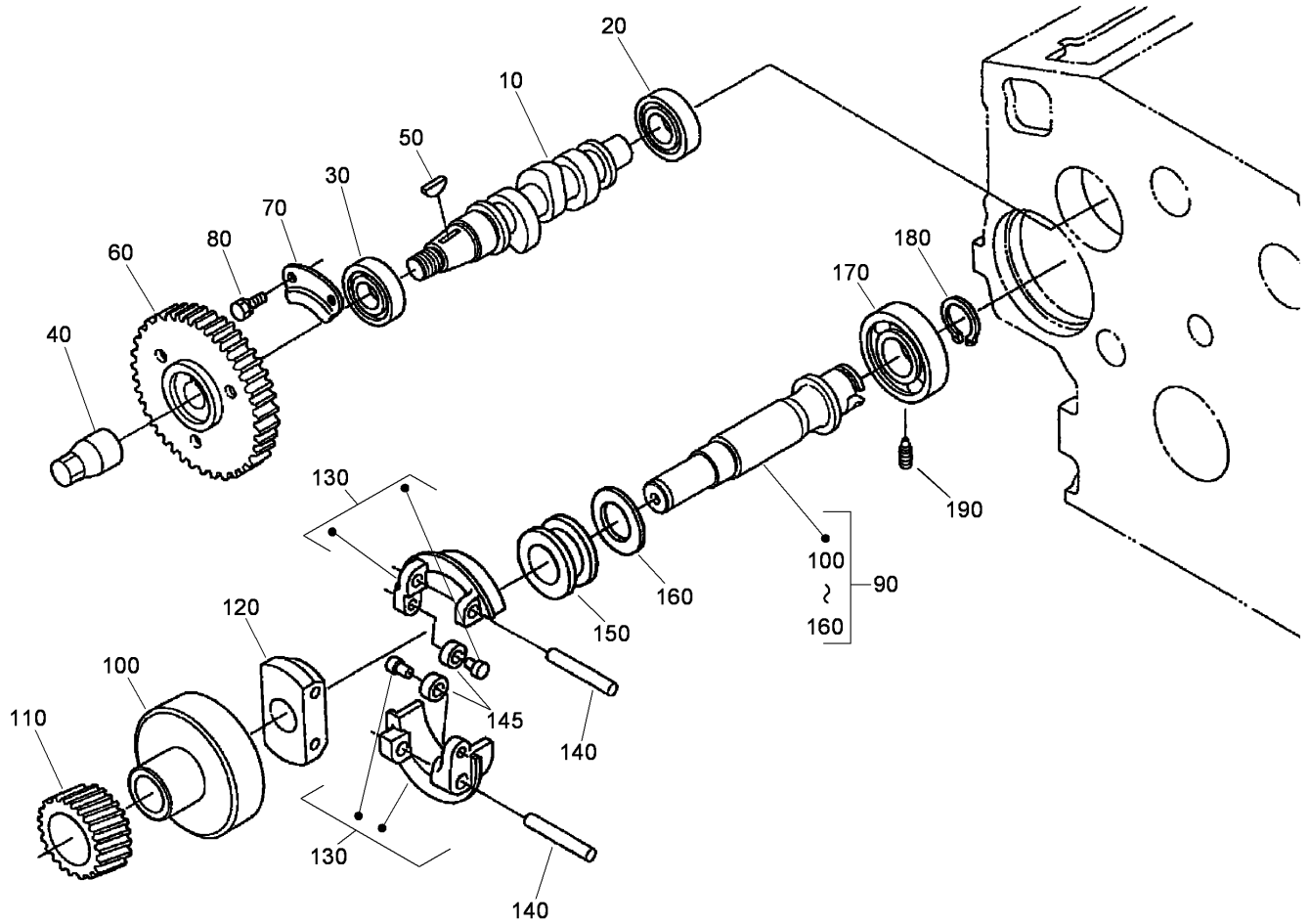
| Ref | Part No. | Qty. | Description |
|-----|----------|------|-------------------------|
| 180 | 98-9530 | 2 | Bearing-Main (0.2Mm) |
| 180 | 98-9531 | 2 | Bearing-Main (0.4Mm) |
| 190 | 112-7006 | 1 | Bearing-Main (STD) |
| 190 | 112-7007 | 1 | Metal-Crankshaft (.2Mm) |
| 190 | 112-7008 | 1 | Metal-Crankshaft (.4Mm) |
| 200 | 98-9413 | 2 | Bearing-Thrust (STD) |
| 200 | 98-9414 | 2 | Bearing-Thrust (0.2Mm) |
| 200 | 98-9415 | 2 | Bearing-Thrust (0.4Mm) |
| 210 | 98-9688 | 2 | Bearing-Thrust (STD) |
| 210 | 98-9689 | 2 | Bearing-Thrust (0.2Mm) |
| 210 | 98-9690 | 2 | Bearing-Thrust (0.4Mm) |



Flywheel Assembly

| Ref | Part No. | Qty. | Description |
|-----|----------|------|-----------------|
| 10 | 105-3784 | 1 | Flywheel ASM |
| 20 | 105-3722 | 1 | Gear-Ring |
| 30 | 98-9537 | 6 | Bolt-Flywheel |
| 40 | 98-9486 | 1 | Plate-End, Rear |
| 50 | 98-9392 | 8 | Bolt |

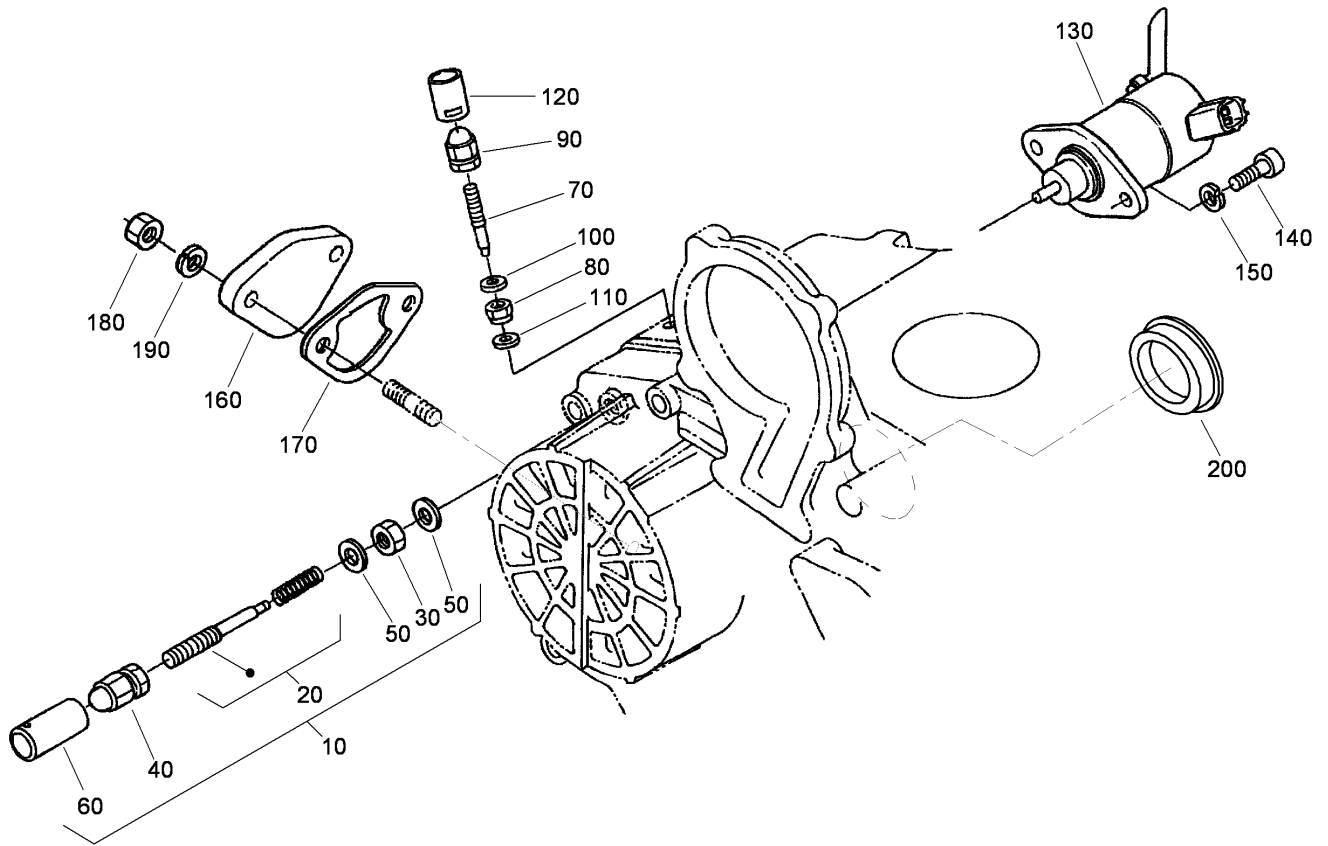
| Ref | Part No. | Qty. | Description |
|-----|----------|------|-------------|
| | | | |
| | | | |
| | | | |
| | | | |
| | | | |



Fuel Camshaft and Governor Shaft Assembly

| Ref | Part No. | Qty. | Description |
|-----|----------|------|-------------------------------|
| 10 | 98-9459 | 1 | Camshaft-Fuel |
| 20 | 107-9077 | 1 | Bearing-Ball |
| 30 | 107-9078 | 1 | Bearing-Ball |
| 40 | 98-9590 | 1 | Nut-Cap |
| 50 | 98-9595 | 1 | Key-Woodruff |
| 60 | 98-9669 | 1 | Gear-Pump, Injection |
| 70 | 98-9511 | 1 | Stopper-Fuel, Camshaft |
| 80 | 98-9350 | 2 | Bolt |
| 90 | 98-9644 | 1 | Governor Shaft ASM |
| 100 | 98-9562 | 1 | Holder-Gear, Governor |
| 110 | 98-9673 | 1 | Gear-Governor |
| 120 | 98-9561 | 1 | Holder-Weight, Governor |
| 130 | 98-9559 | 2 | Governor Weight ASM |
| 140 | 98-9560 | 2 | Shaft-Weight, Governor |
| 145 | 98-9692 | 2 | Roller |
| 150 | 98-9563 | 1 | Sleeve-Governor |
| 160 | 98-9564 | 1 | Washer-Thrust |
| 170 | 107-9079 | 1 | Bearing-Ball |
| 180 | 98-9657 | 1 | Clip-Circular, Governor Shaft |
| 190 | 98-9565 | 1 | Screw-Set |

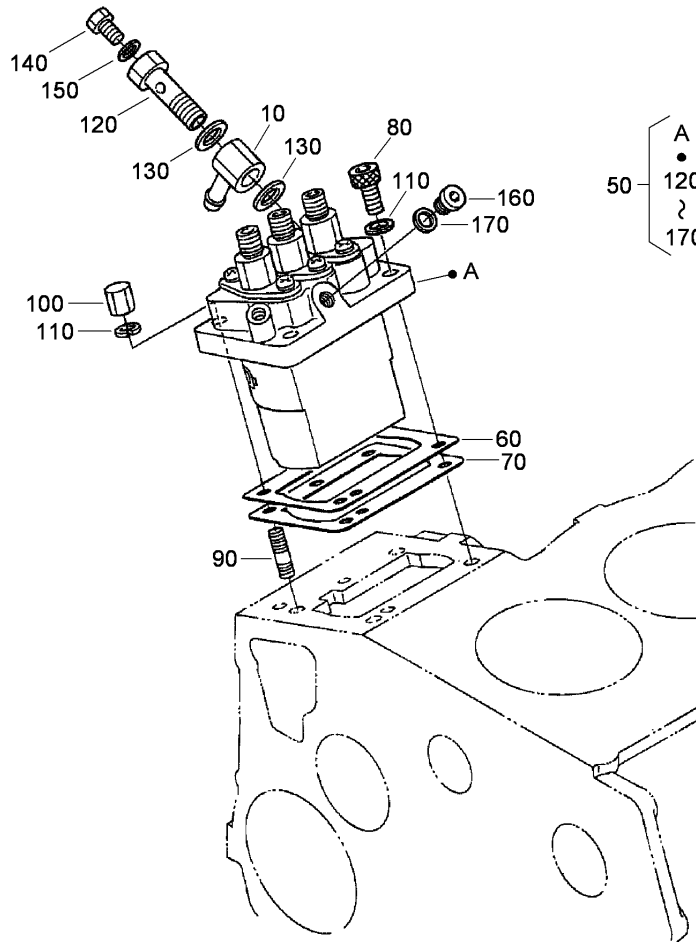
| | | | |
|--|--|--|--|
| | | | |
| | | | |
| | | | |
| | | | |



Idle Apparatus Assembly

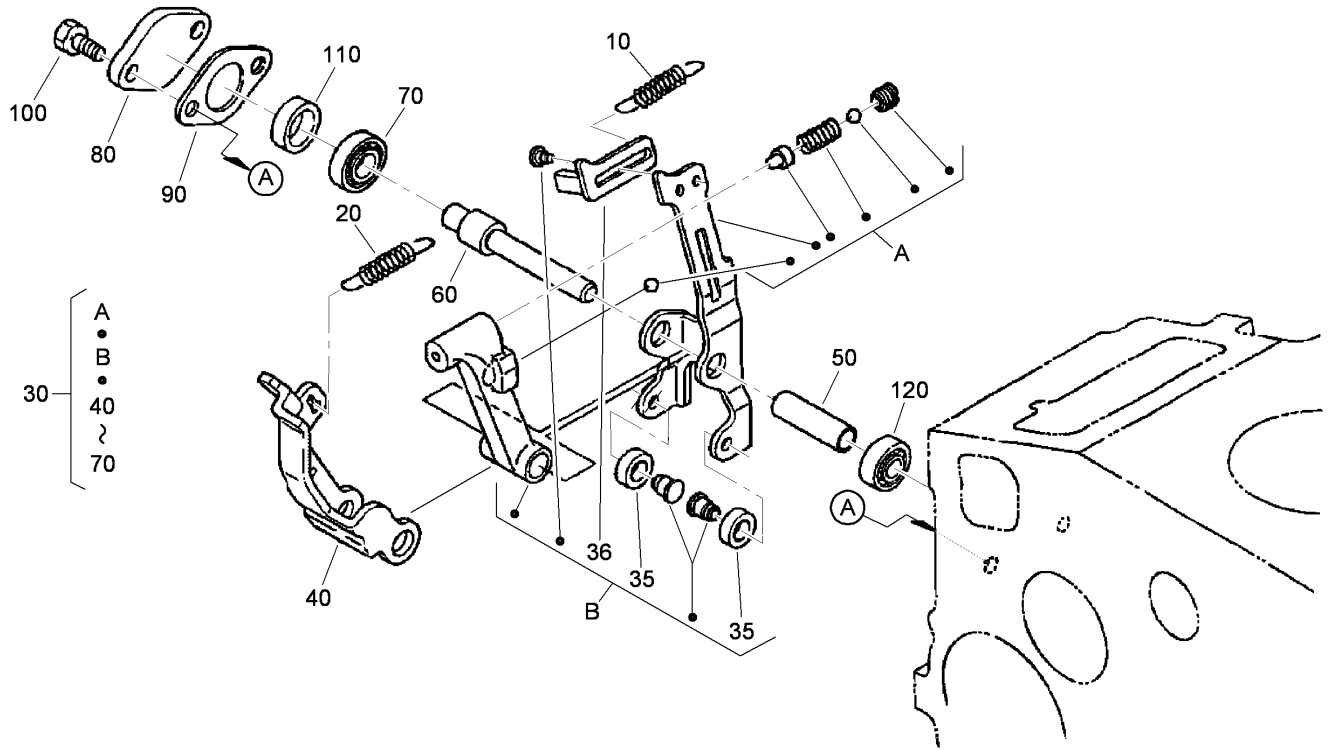
| Ref | Part No. | Qty. | Description |
|-----|----------|------|--------------------|
| 10 | 98-9678 | 1 | Idle Apparatus ASM |
| 20 | 112-7014 | 1 | Adjusting Bolt ASM |
| 30 | 98-9439 | 1 | Nut |
| 40 | 99-8387 | 1 | Nut-Cap |
| 50 | 98-7654 | 2 | Gasket |
| 60 | 98-7656 | 1 | Cap |
| 70 | 112-7015 | 1 | Bolt-Adjusting |
| 80 | 99-3512 | 1 | Nut |
| 90 | 99-8387 | 1 | Nut-Cap |
| 100 | 98-7654 | 1 | Gasket |
| 110 | 107-9081 | 1 | Gasket |
| 120 | | 1 | Pipe-Lock |
| 130 | 104-5155 | 1 | Solenoid-Stop |
| 140 | 105-3799 | 2 | Bolt-HSH |
| 150 | 98-7699 | 2 | Washer-Spring |
| 160 | 99-3514 | 1 | Cover |
| 170 | 98-9636 | 1 | Gasket-Pump, Fuel |
| 180 | 98-7572 | 2 | Nut |
| 190 | 98-7699 | 2 | Washer-Spring |
| 200 | 112-7016 | 1 | Cover-Pump |

| | | | |
|--|--|--|--|
| | | | |
| | | | |
| | | | |
| | | | |



Injection Pump Assembly

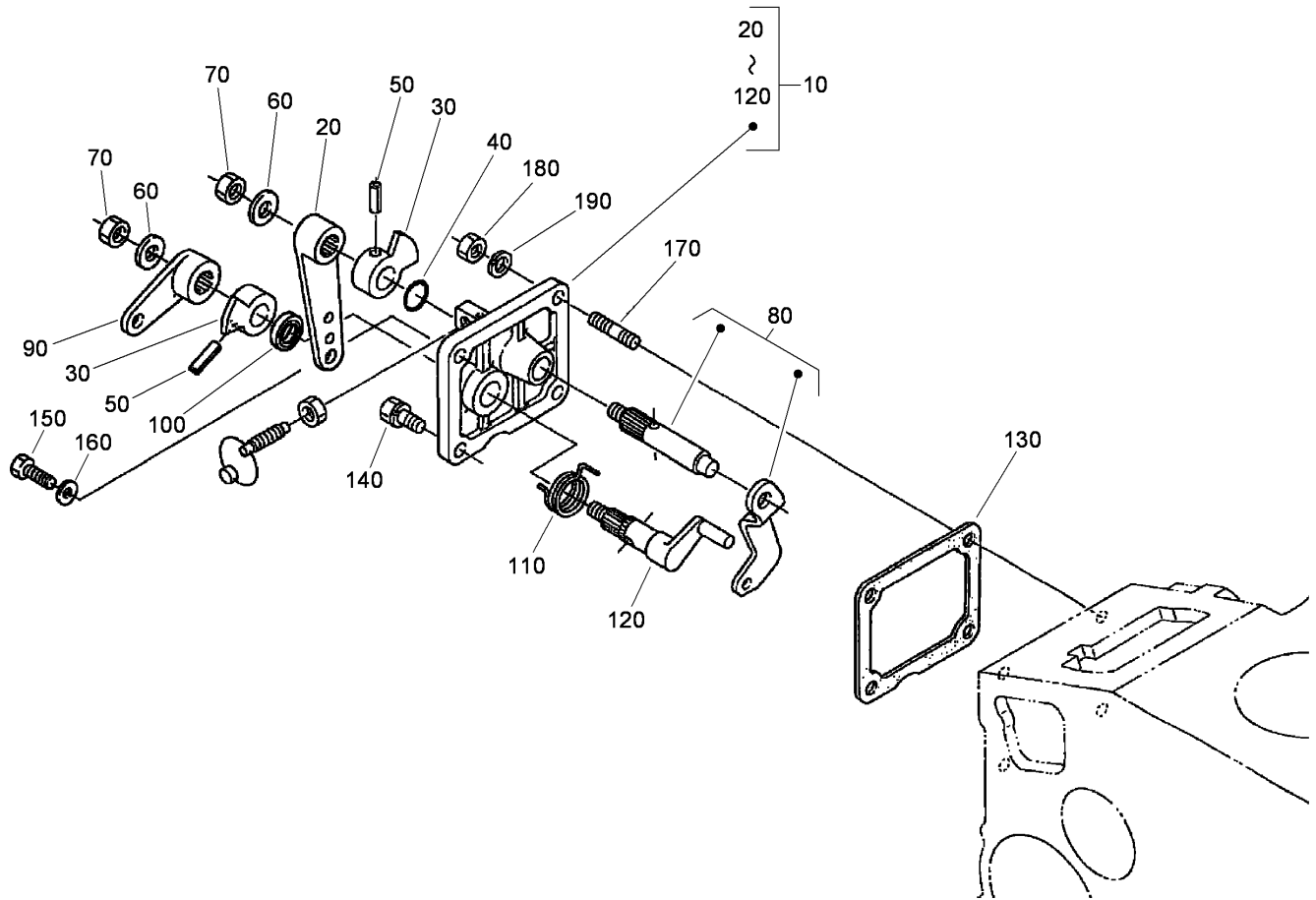
| Ref | Part No. | Qty. | Description | | | | |
|-----|----------|------|-------------------------|--|--|--|--|
| 10 | 98-9596 | 1 | Joint-Eye | | | | |
| 50 | 98-9643 | 1 | Injection Pump ASM | | | | |
| 60 | 98-9457 | 1 | Shim-Injection (0.25Mm) | | | | |
| 60 | 98-9456 | 1 | Shim (0.2Mm) | | | | |
| 70 | 98-9458 | 1 | Shim-Injection (0.30Mm) | | | | |
| 80 | 98-9361 | 2 | Bolt-HSH | | | | |
| 90 | 98-9438 | 2 | Stud | | | | |
| 100 | 98-9440 | 2 | Nut-Cap | | | | |
| 110 | 98-7699 | 4 | Washer-Spring | | | | |
| 120 | 98-9464 | 1 | Bolt-Joint | | | | |
| 130 | 98-9445 | 2 | Gasket | | | | |
| 140 | 98-9430 | 1 | Screw | | | | |
| 150 | 98-9446 | 1 | Gasket | | | | |
| 160 | 98-9466 | 1 | Plug | | | | |
| 170 | 98-9451 | 1 | Gasket | | | | |



Governor Assembly

| Ref | Part No. | Qty. | Description |
|-----|----------|------|-------------------------|
| 10 | 105-3786 | 1 | Spring-Start |
| 20 | 98-9681 | 1 | Spring-Governor |
| 30 | 107-9082 | 1 | Fork Lever ASM |
| 35 | 98-9692 | 2 | Roller |
| 36 | 107-9083 | 1 | Lever-Thrust |
| 40 | 107-9084 | 1 | Lever-Fork |
| 50 | 107-9085 | 1 | Shaft-Lever, Fork |
| 60 | 107-9086 | 1 | Shaft-Lever, Fork |
| 70 | 98-9570 | 1 | Bearing-Miniaturize |
| 80 | 98-9569 | 1 | Cover-Shaft, Fork Lever |
| 90 | 98-9682 | 1 | Gasket |
| 100 | 98-9351 | 2 | Bolt |
| 110 | 98-9567 | 1 | Collar |
| 120 | 98-9571 | 1 | Bearing-Miniaturize |

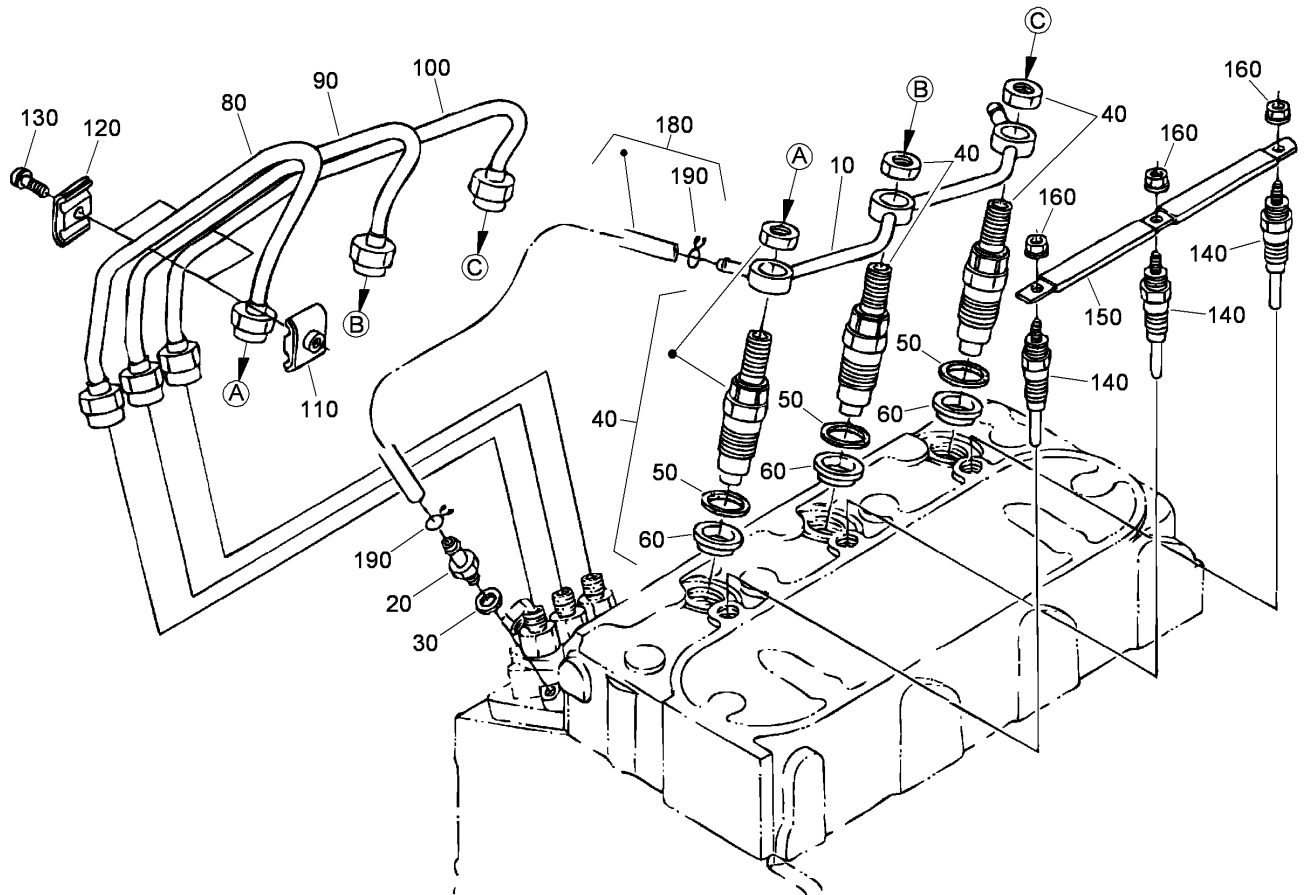
| | | | |
|--|--|--|--|
| | | | |
|--|--|--|--|



Speed Control Plate Assembly

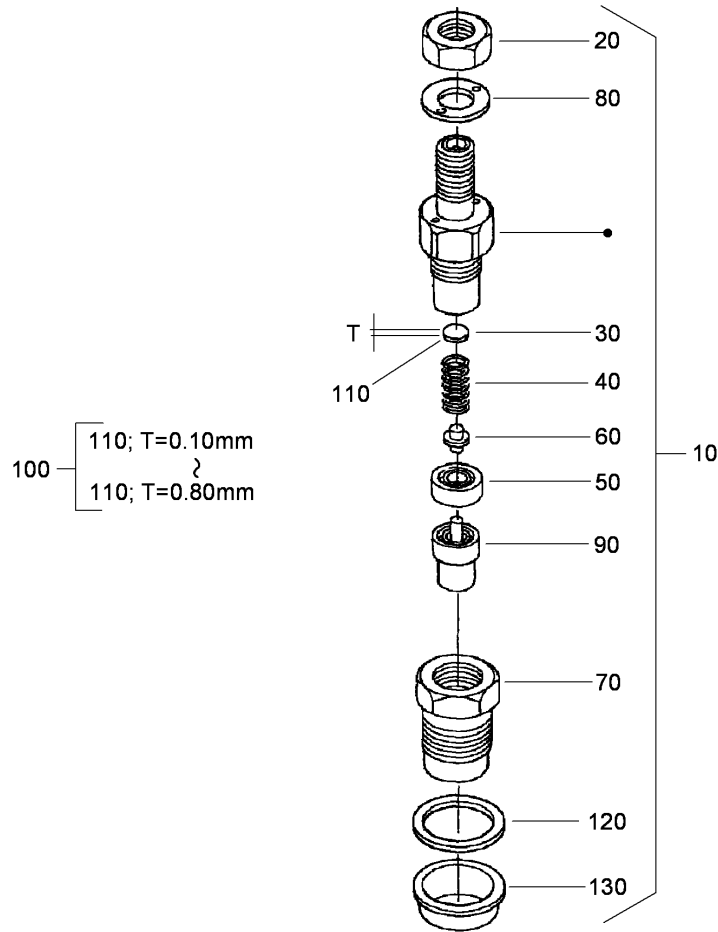
| Ref | Part No. | Qty. | Description |
|-----|----------|------|----------------------|
| 10 | 105-3735 | 1 | Control Plate ASM |
| 20 | 98-9662 | 1 | Lever-Control, Speed |
| 30 | 98-9572 | 2 | Lever-Control, Speed |
| 40 | 105-3788 | 1 | O-Ring |
| 50 | 98-7602 | 2 | Pin-Spring |
| 60 | 98-9594 | 2 | Washer-Plain |
| 70 | 98-9589 | 2 | Nut |
| 80 | 98-9658 | 1 | Governor Lever ASM |
| 90 | 98-9663 | 1 | Lever-Stop, Engine |
| 100 | 98-7601 | 1 | Seal-Oil |
| 110 | 98-9472 | 1 | Spring-Return |
| 120 | 98-9664 | 1 | Shaft-Lever, Stop |
| 130 | 98-9637 | 1 | Gasket |
| 140 | 98-7692 | 1 | Bolt |
| 150 | 99-8348 | 1 | Bolt |
| 160 | 98-7654 | 2 | Gasket |
| 170 | 105-3710 | 2 | Stud |
| 180 | 98-7572 | 2 | Nut |
| 190 | 98-7699 | 2 | Washer-Spring |

| | | | |
|--|--|--|--|
| | | | |
| | | | |
| | | | |
| | | | |



Nozzle Holder and Glow Plug Assembly

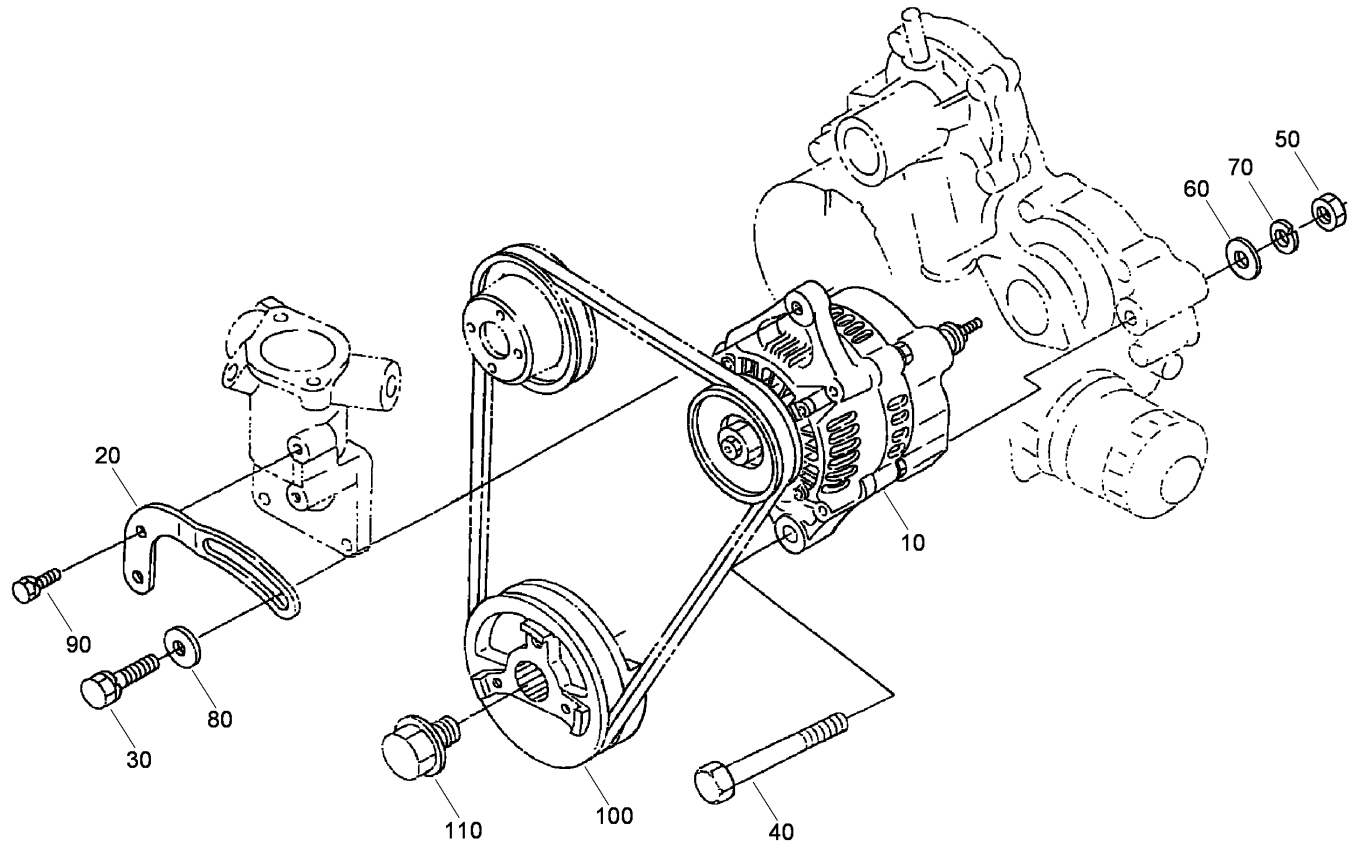
| Ref | Part No. | Qty. | Description |
|-----|----------|------|--------------------|
| 10 | 98-9620 | 1 | Over Flow Pipe ASM |
| 20 | 98-9431 | 1 | Screw-Bleeder |
| 30 | 98-7654 | 1 | Gasket |
| 40 | 108-2866 | 3 | Nozzle Holder Kit |
| 50 | 98-7676 | 3 | Gasket |
| 60 | 98-7677 | 3 | Seal |
| 80 | 98-9653 | 1 | Pipe-Injection |
| 90 | 98-9654 | 1 | Pipe-Injection |
| 100 | 98-9655 | 1 | Pipe-Injection |
| 110 | 98-7682 | 2 | Clamp-Pipe |
| 120 | 98-7683 | 2 | Clamp-Pipe |
| 130 | 98-7684 | 2 | Screw (W/Washer) |
| 140 | 98-9695 | 3 | Plug-Glow |
| 150 | 98-9631 | 3 | Cord-Plug, Glow |
| 160 | 99-8377 | 3 | Nut-Flange |
| 180 | 98-9420 | 1 | Over Flow Pipe ASM |
| 190 | 98-7671 | 2 | Clip-Pipe |



Nozzle Holder Assembly

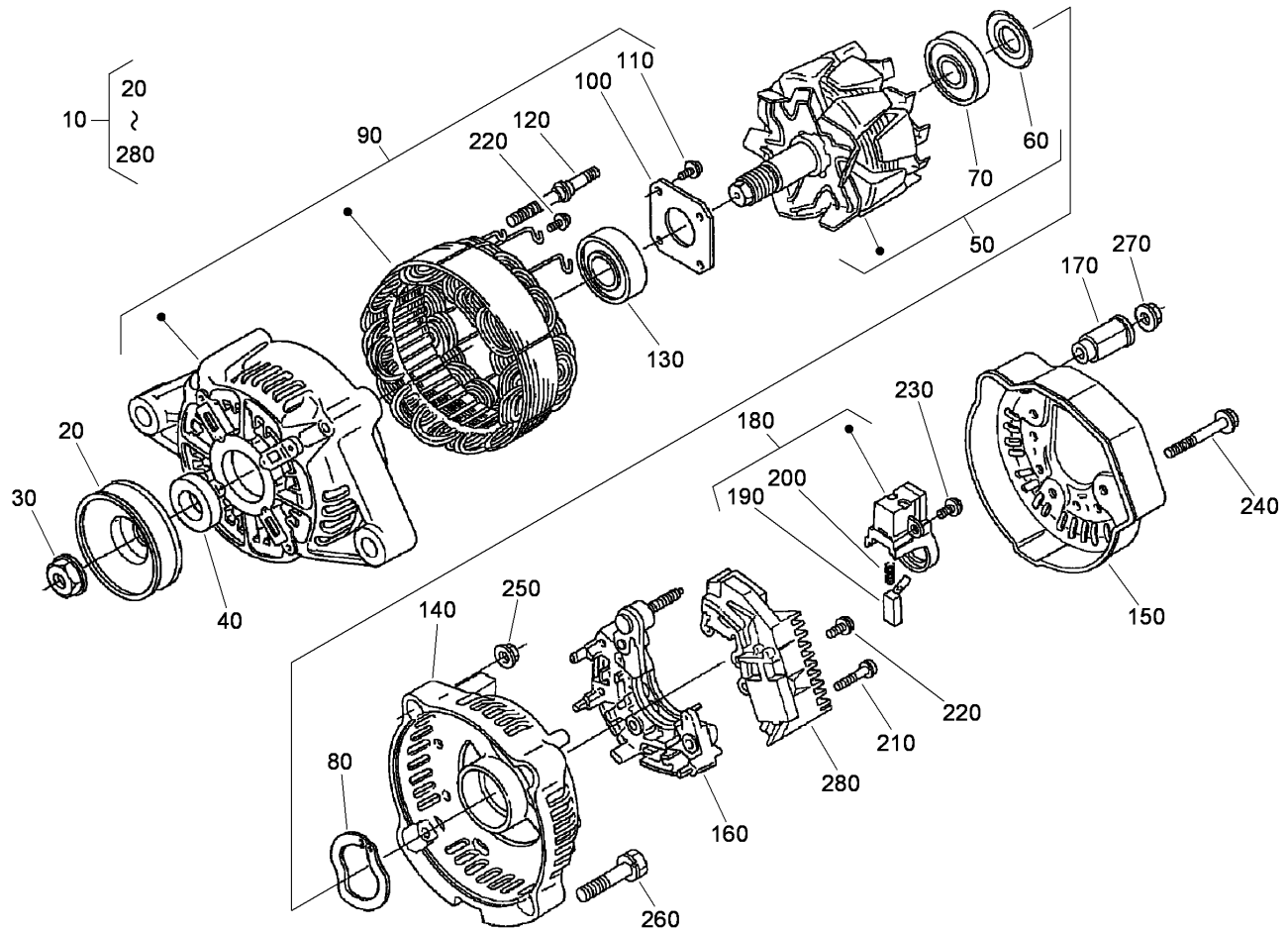
| Ref | Part No. | Qty. | Description |
|-----|----------|------|------------------------|
| 10 | 108-2866 | 3 | Nozzle Holder Kit |
| 20 | 99-8301 | 3 | Nut |
| 30 | 99-8302 | 3 | Washer-Adjusting |
| 40 | 99-8303 | 3 | Spring-Nozzle |
| 50 | 99-8304 | 3 | Spacer-Distance |
| 60 | 99-8305 | 3 | Rod-Push |
| 70 | 99-8306 | 3 | Nut-Nozzle |
| 80 | 99-8307 | 3 | Washer-Plain |
| 90 | 107-7826 | 3 | Piece-Nozzle |
| 100 | 99-8309 | 3 | Adjusting Washer ASM |
| 110 | 99-8310 | 3 | Washer-Adjust (0.10Mm) |
| 110 | 99-8311 | 3 | Washer-Adjust (0.20Mm) |
| 110 | 99-8312 | 3 | Washer-Adjust (0.30Mm) |
| 110 | 99-8313 | 3 | Washer-Adjust (0.40Mm) |
| 110 | 99-8314 | 3 | Washer-Adjust (0.50Mm) |
| 110 | 99-8315 | 3 | Washer-Adjust (0.52Mm) |
| 110 | 99-8316 | 3 | Washer-Adjust (0.54Mm) |
| 110 | 99-8317 | 3 | Washer-Adjust (0.56Mm) |
| 110 | 99-8318 | 3 | Washer-Adjust (0.58Mm) |
| 110 | 99-8319 | 3 | Washer-Adjust (0.80Mm) |
| 120 | 98-7676 | 3 | Gasket |
| 130 | 98-7677 | 3 | Seal |

| | | | |
|--|--|--|--|
| | | | |
| | | | |
| | | | |
| | | | |



Alternator and Pulley Assembly

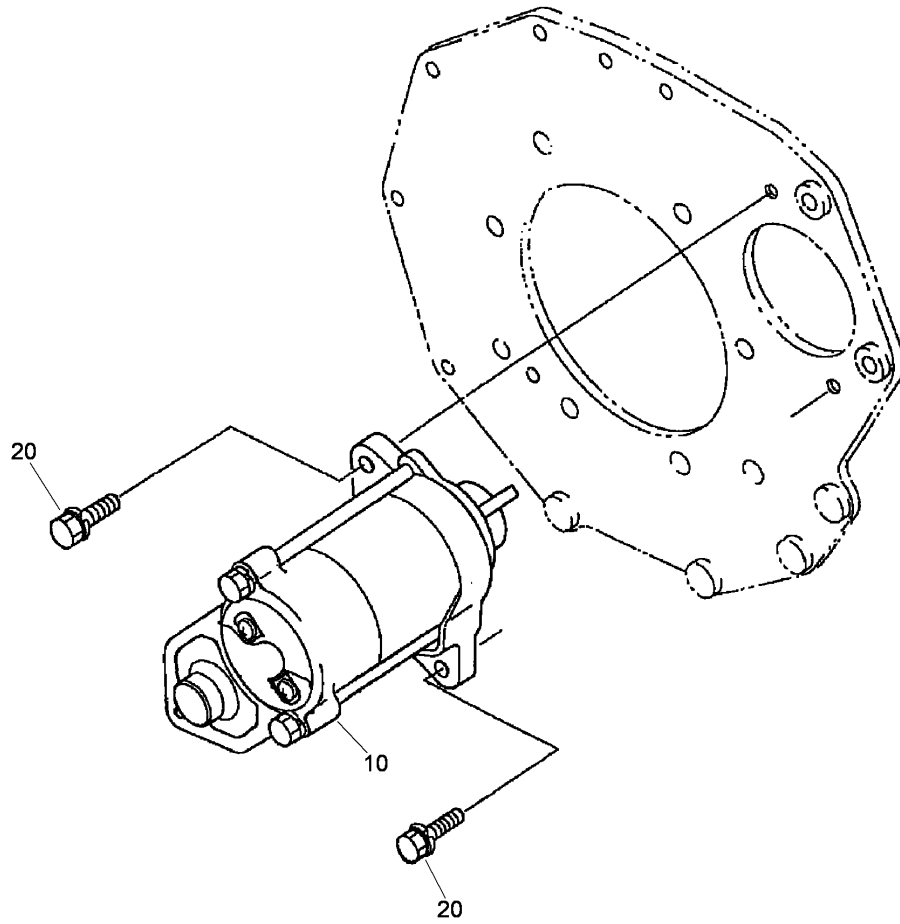
| Ref | Part No. | Qty. | Description |
|-----|----------|------|-------------------|
| 10 | 98-9474 | 1 | Alternator ASM |
| 20 | 98-9573 | 1 | Stay-Dynamo |
| 30 | 108-7088 | 1 | Bolt |
| 40 | 98-9360 | 1 | Bolt |
| 50 | 98-7737 | 1 | Nut |
| 60 | 3256-24 | 1 | Washer-Flat |
| 70 | 98-7738 | 1 | Washer-Spring |
| 80 | 100-9233 | 1 | Washer-Plain |
| 90 | 98-7692 | 1 | Bolt |
| 100 | 98-9473 | 1 | Pulley-Drive, Fan |
| 110 | 98-9585 | 1 | Bolt |



Alternator Components

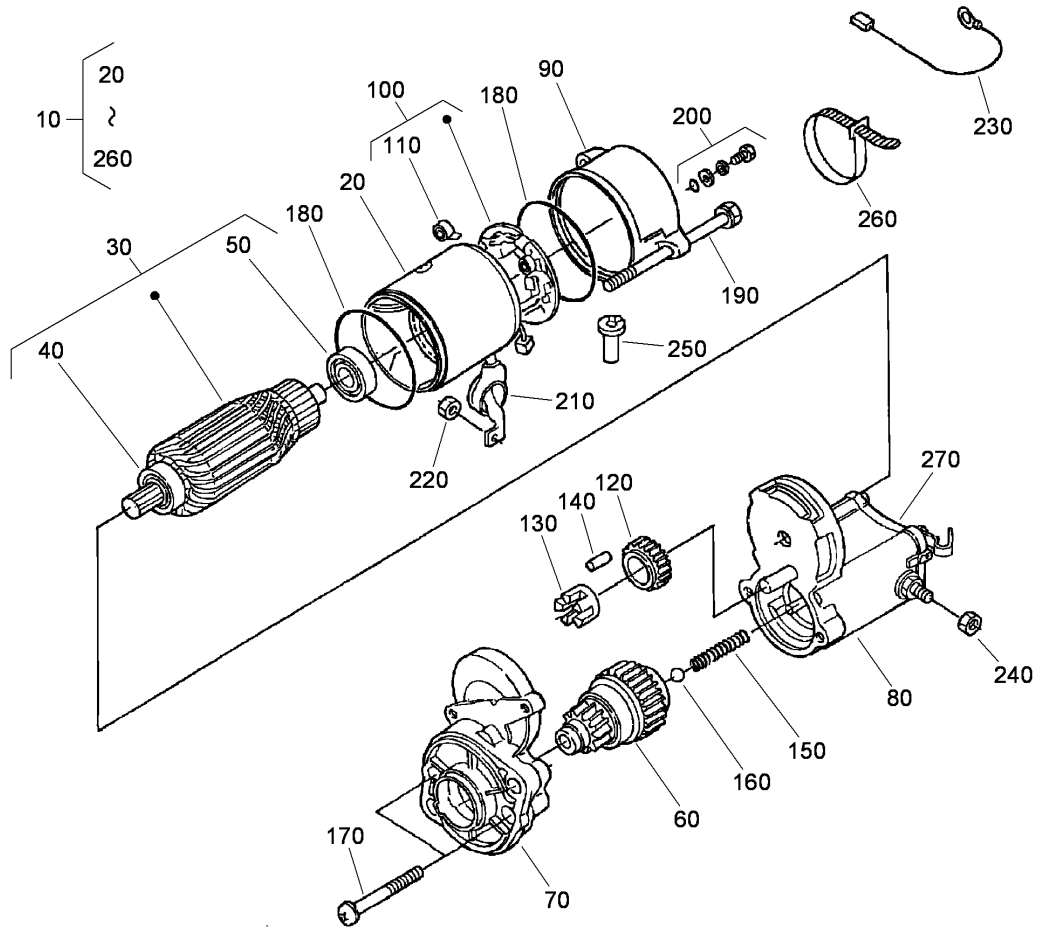
| Ref | Part No. | Qty. | Description |
|-----|----------|------|---------------------|
| 10 | 98-9474 | 1 | Alternator ASM |
| 20 | 98-9453 | 1 | Pulley-Dynamo |
| 30 | 98-7708 | 1 | Nut |
| 40 | 98-7709 | 1 | Collar |
| 50 | 107-0136 | 1 | Rotor |
| 60 | 98-7711 | 1 | Cover-Bearing |
| 70 | 107-0138 | 1 | Bearing-Ball |
| 80 | 98-7713 | 1 | Washer-Thrust |
| 90 | 107-0139 | 1 | Drive End Frame ASM |
| 100 | 98-7715 | 1 | Plate-Retainer |
| 110 | 98-7716 | 4 | Screw-Head, Round |
| 120 | 98-7717 | 2 | Bolt-Through |
| 130 | 107-0137 | 1 | Bearing-Ball |
| 140 | 107-9087 | 1 | Frame-End |
| 150 | 107-0140 | 1 | Cover-End |
| 160 | 98-7721 | 1 | Rectifier ASM |
| 170 | 98-7722 | 1 | Bushing-Insulation |
| 180 | 107-0141 | 1 | Holder-Brush |
| 190 | 98-7724 | 2 | Brush |
| 200 | 98-7725 | 2 | Spring-Brush |
| 210 | 98-7726 | 2 | Screw-Head, Round |
| 220 | 98-7727 | 6 | Screw-Head, Round |
| 230 | 98-7728 | 1 | Screw-Head, Round |
| 240 | 98-7729 | 3 | Bolt |

| Ref | Part No. | Qty. | Description |
|-----|----------|------|---------------|
| 250 | 98-7730 | 2 | Nut |
| 260 | 98-7731 | 2 | Bolt |
| 270 | 98-7732 | 1 | Nut |
| 280 | 110-3799 | 1 | Regulator ASM |



Starter Assembly

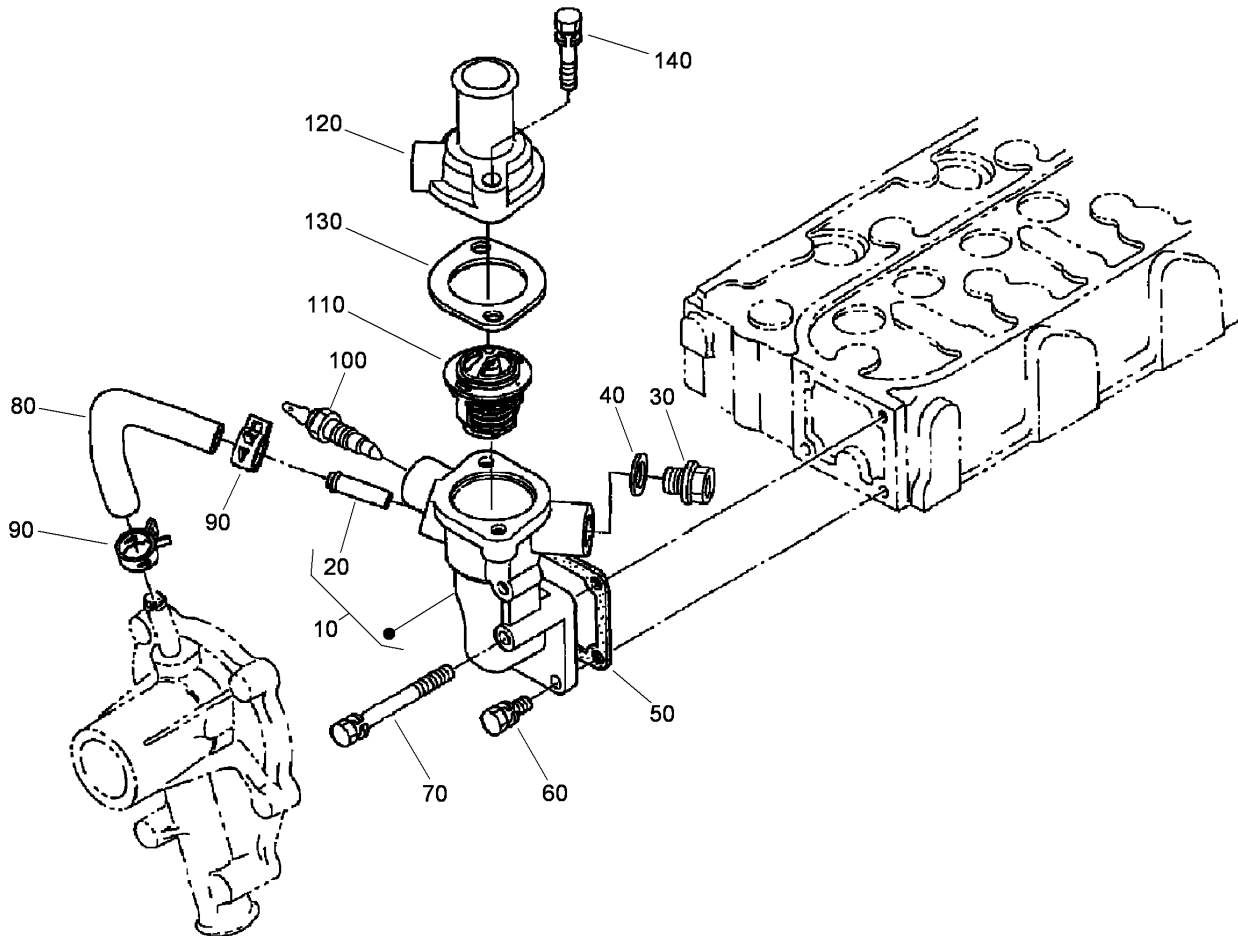
| Ref | Part No. | Qty. | Description |
|-----|----------|------|-------------|
| 10 | 98-9705 | 1 | Starter ASM |
| 20 | 98-7697 | 2 | Bolt |



Starter Component Assembly

| Ref | Part No. | Qty. | Description |
|-----|----------|------|----------------------|
| 10 | 98-9705 | 1 | Starter ASM |
| 20 | 104-8608 | 1 | Yoke ASM |
| 30 | 98-7742 | 1 | Armature ASM |
| 40 | 98-7744 | 1 | Bearing |
| 50 | 98-7743 | 1 | Bearing |
| 60 | 99-8373 | 1 | Clutch-Running, Over |
| 70 | 99-8374 | 1 | Frame-End, Drive |
| 80 | 105-3746 | 1 | Magnetic Switch ASM |
| 90 | 98-7748 | 1 | Frame-End |
| 100 | 98-7749 | 1 | Brush Holder ASM |
| 110 | 98-7750 | 4 | Spring-Brush |
| 120 | 98-7751 | 1 | Gear |
| 130 | 98-7752 | 1 | Retainer |
| 140 | 98-9707 | 5 | Roller |
| 150 | 98-7754 | 1 | Spring |
| 160 | 98-7755 | 1 | Ball |
| 170 | 98-7756 | 2 | Bolt |
| 180 | 98-7757 | 2 | O-Ring |
| 190 | 100-9240 | 2 | Bolt |
| 200 | 98-7758 | 2 | Bolt ASM |
| 210 | 99-8375 | 1 | Cover |
| 220 | 99-8371 | 1 | Nut-Hex |
| 230 | 98-9711 | 1 | Cord-Solenoid, Stop |
| 240 | 99-8376 | 1 | Nut-Hex |

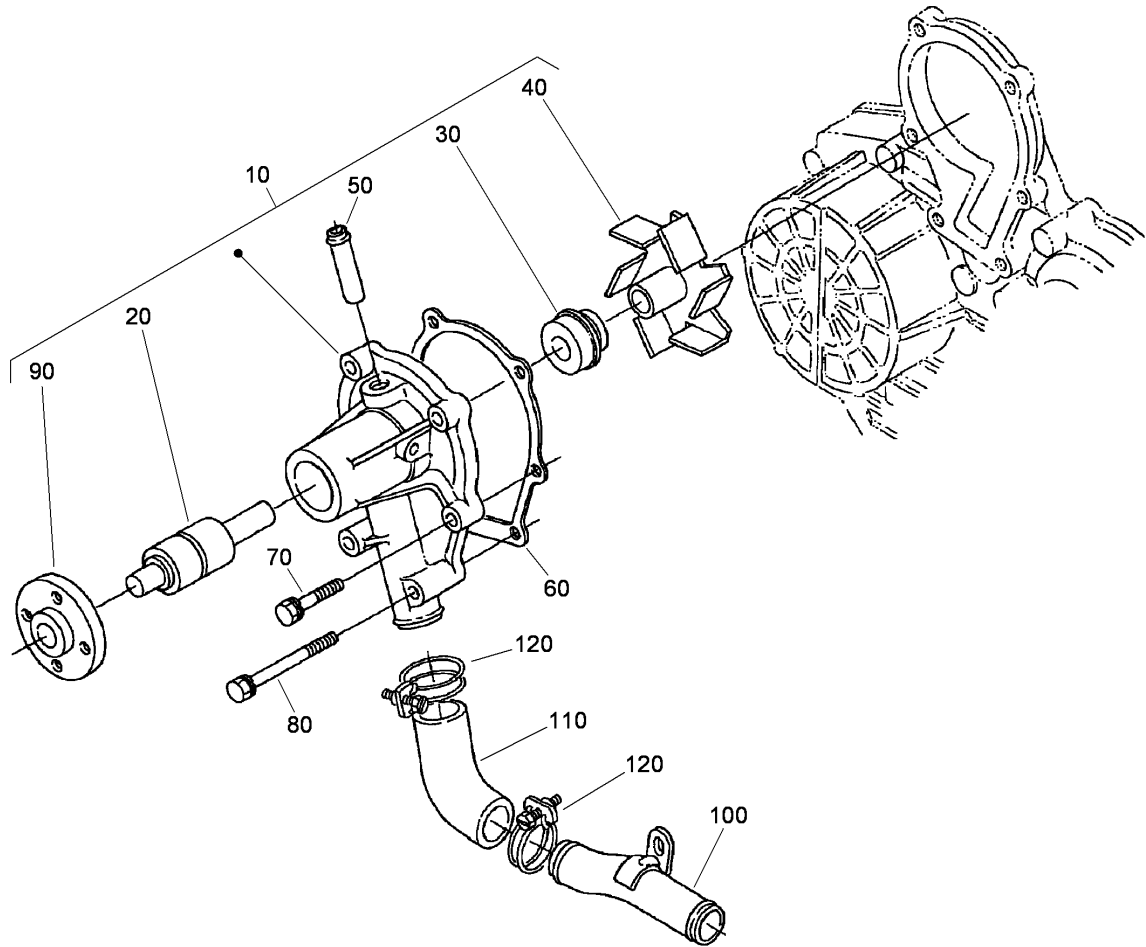
| Ref | Part No. | Qty. | Description |
|-----|----------|------|-------------|
| 250 | 98-7759 | 1 | Pipe-Drain |
| 260 | 98-9712 | 1 | Band-Cover |
| 270 | 105-2886 | 1 | Cover ASM |



Water Flange and Thermostat Assembly

| Ref | Part No. | Qty. | Description |
|-----|----------|------|----------------------|
| 10 | 98-9713 | 1 | Water Flange ASM |
| 20 | 98-9580 | 1 | Pipe-Return, Water |
| 30 | 105-3747 | 1 | Plug |
| 40 | 99-3583 | 1 | Packing |
| 50 | 98-9638 | 1 | Gasket-Flange, Water |
| 60 | 98-7692 | 3 | Bolt |
| 70 | 98-9356 | 1 | Bolt |
| 80 | 98-9578 | 1 | Pipe-Return, Water |
| 90 | 98-9579 | 2 | Band-Pipe |
| 100 | 98-9719 | 1 | Thermoswitch |
| 110 | 98-7778 | 1 | Thermostat ASM |
| 120 | 98-9471 | 1 | Cover-Thermostat |
| 130 | 105-3748 | 1 | Gasket-Thermostat |
| 140 | 98-7777 | 2 | Bolt |

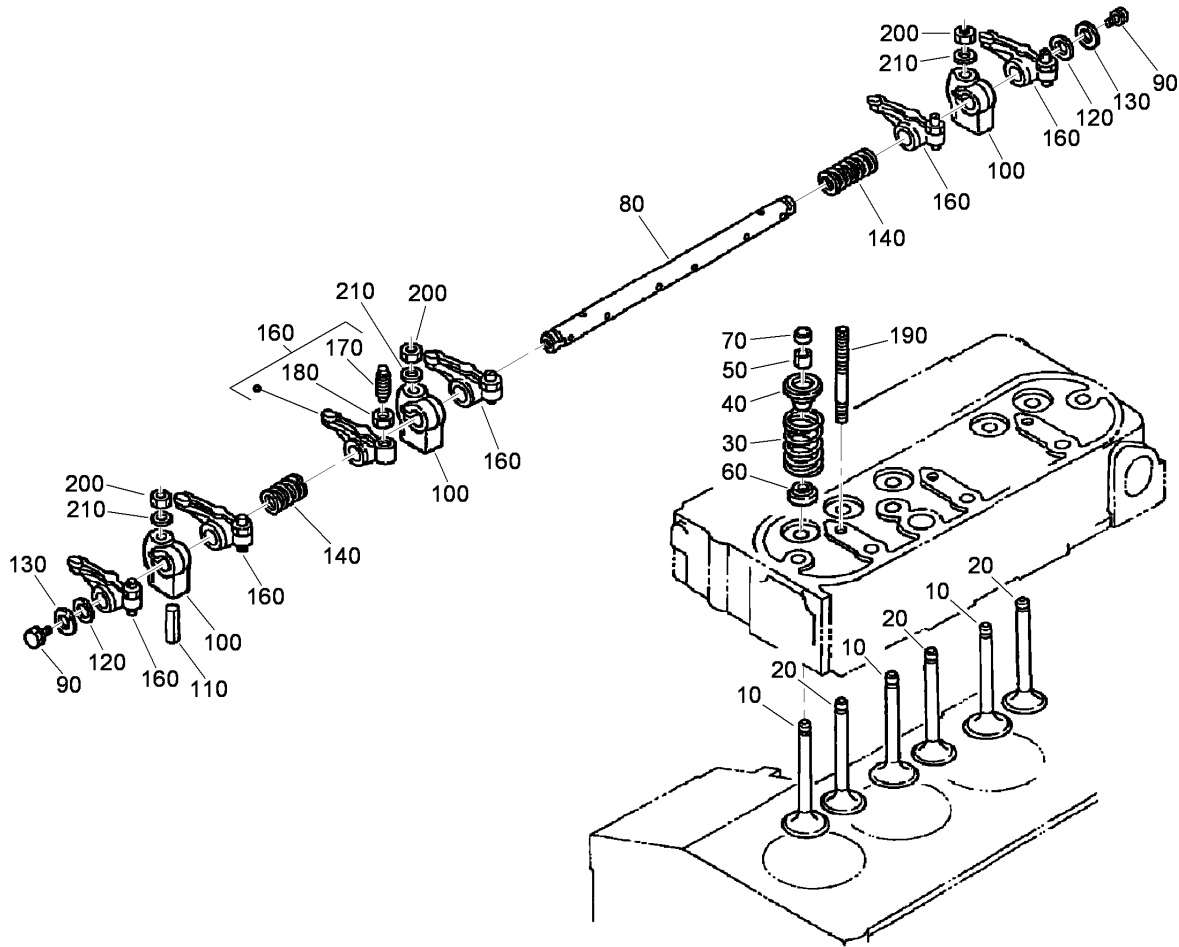
| | | | |
|--|--|--|--|
| | | | |
|--|--|--|--|



Water Pump Assembly

| Ref | Part No. | Qty. | Description |
|-----|----------|------|---------------------|
| 10 | 107-9089 | 1 | Water Pump ASM |
| 20 | 99-3517 | 1 | Bearing-Pump, Water |
| 30 | 105-3750 | 1 | Mechanical Seal ASM |
| 40 | 112-8403 | 1 | Impeller ASM |
| 50 | 100-1932 | 1 | Pipe-Return, Water |
| 60 | 99-3454 | 1 | Gasket-Pump, Water |
| 70 | 98-9353 | 4 | Bolt |
| 80 | 107-9090 | 2 | Bolt |
| 90 | 99-3516 | 4 | Flange-Pump, Water |
| 100 | 98-9716 | 1 | Pipe-Water |
| 110 | 107-9091 | 1 | Pipe-Water |
| 120 | 98-9717 | 2 | Clamp |

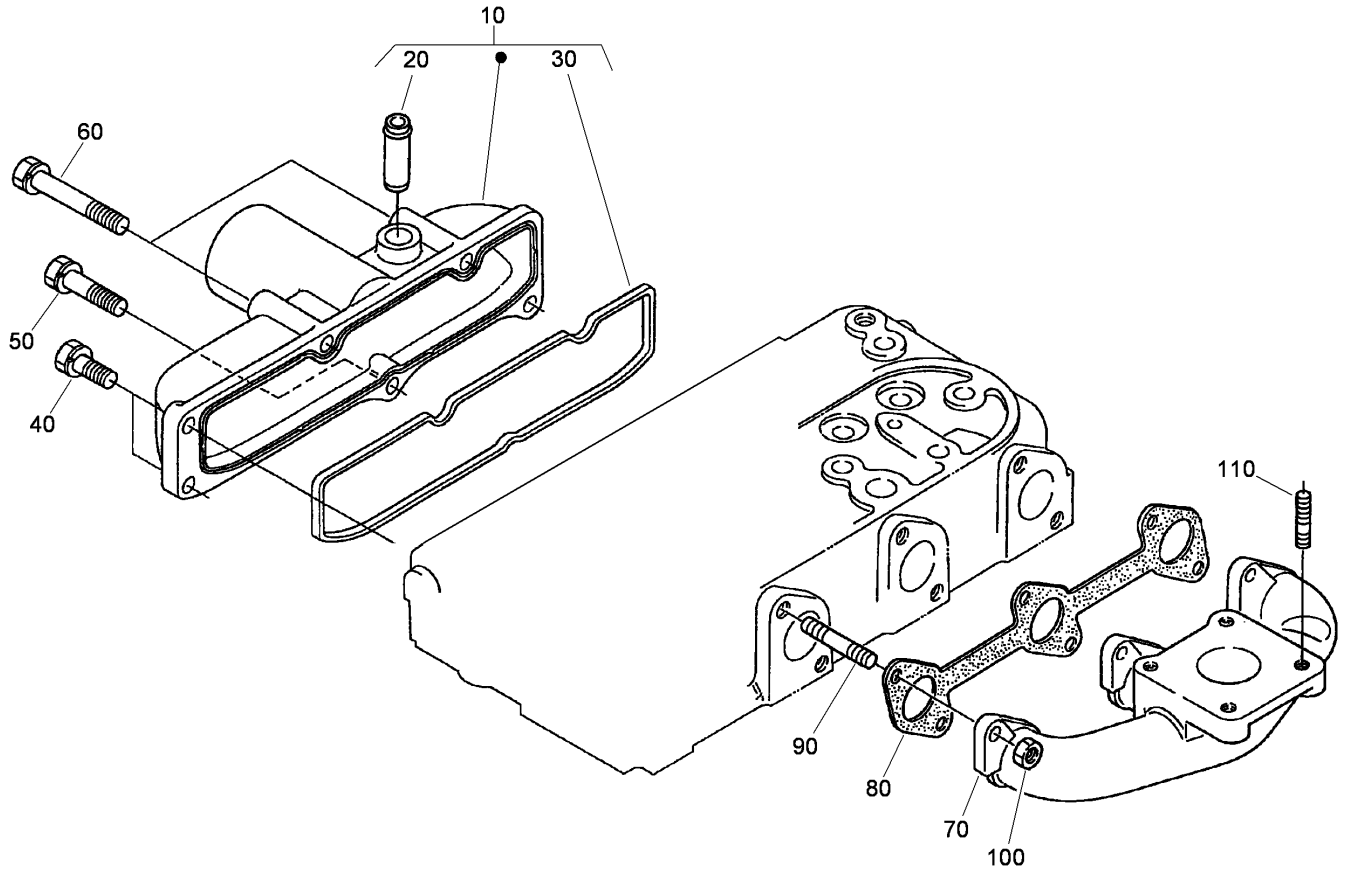
| | | | |
|--|--|--|--|
| | | | |
|--|--|--|--|



Valve and Rocker Arm Assembly

| Ref | Part No. | Qty. | Description |
|-----|----------|------|--------------------------|
| 10 | 112-7018 | 3 | Valve-Inlet |
| 20 | 98-9495 | 3 | Valve-Exhaust |
| 30 | 98-9648 | 6 | Spring-Valve |
| 40 | 107-9092 | 6 | Retainer-Spring |
| 50 | 98-9390 | 6 | Collet-Set, Valve Spring |
| 60 | 99-8385 | 6 | Seat-Stem, Valve |
| 70 | 98-9497 | 6 | Cap-Valve |
| 80 | 105-3790 | 1 | R-Arm Shaft ASM |
| 90 | 100-9265 | 2 | Bolt |
| 100 | 98-9505 | 3 | Bracket-Arm, Rocker |
| 110 | 105-3758 | 1 | Pin-Spring |
| 120 | 98-9507 | 2 | Washer-Shaft, R-Arm |
| 130 | 3256-1 | 2 | Washer-Flat |
| 140 | 98-9504 | 2 | Spring-Arm, Rocker |
| 160 | 98-9501 | 6 | Rocker Arm ASM |
| 170 | 98-9502 | 6 | Screw-Adjusting |
| 180 | 98-9503 | 6 | Nut |
| 190 | 98-9506 | 3 | Stud |
| 200 | 98-9393 | 3 | Nut |
| 210 | 98-9385 | 3 | Washer-Flat |

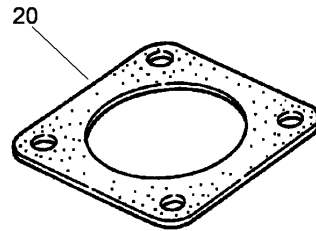
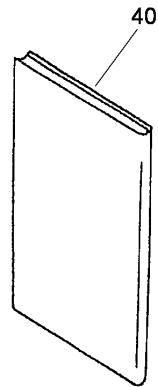
| | | | |
|--|--|--|--|
| | | | |
|--|--|--|--|



Inlet Manifold Assembly

| Ref | Part No. | Qty. | Description |
|-----|----------|------|--------------------------|
| 10 | 108-6577 | 1 | Inlet Manifold ASM |
| 20 | 98-9492 | 1 | Joint-Pipe, Breather |
| 30 | 98-9609 | 1 | Gasket |
| 40 | 98-7605 | 3 | Bolt |
| 50 | 98-9353 | 1 | Bolt |
| 60 | 105-3797 | 2 | Bolt |
| 70 | 107-9093 | 1 | Manifold-Exhaust |
| 80 | 99-8327 | 1 | Gasket-Manifold, Exhaust |
| 90 | 98-9588 | 6 | Stud |
| 100 | 98-9665 | 6 | Nut |
| 110 | 98-7769 | 4 | Stud |

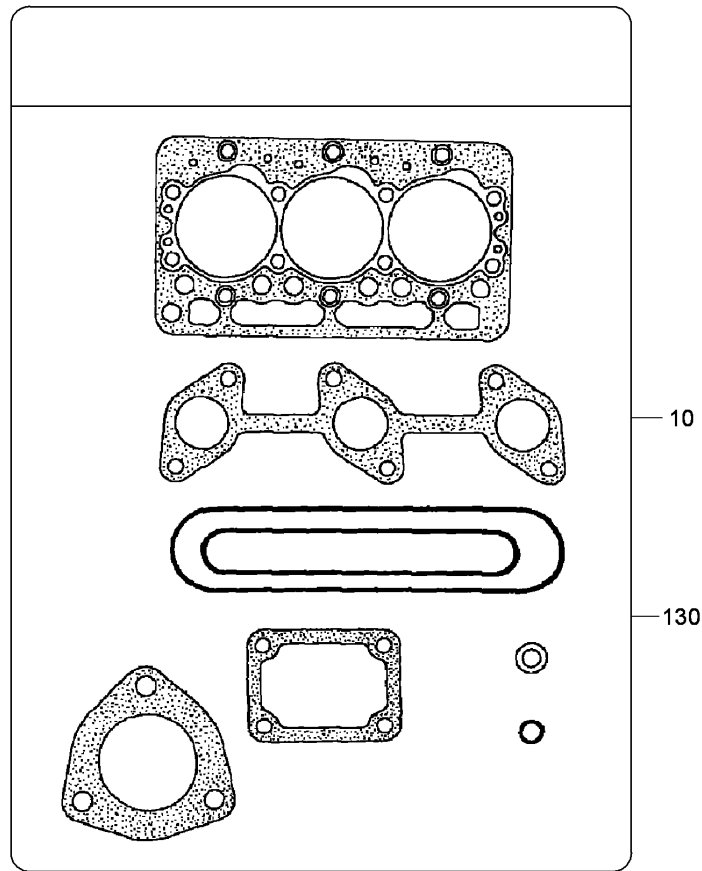
| | | | |
|--|--|--|--|
| | | | |
| | | | |
| | | | |
| | | | |



Muffler Gasket and Operator Manual

| Ref | Part No. | Qty. | Description |
|-----|----------|------|----------------|
| 20 | 99-8343 | 1 | Gasket-Muffler |
| 40 | 99-8954 | 1 | Manual-Kubota |

|--|--|--|--|



Upper and Lower Gasket Kits

| Ref | Part No. | Qty. | Description | | | | |
|-----|----------|------|------------------|--|--|--|--|
| 10 | 107-7848 | 1 | Upper Gasket Kit | | | | |
| 130 | 107-9095 | 1 | Lower Gasket Kit | | | | |

Attachments and Accessories

For 30344 - Groundsmaster 3280-D Traction Unit

| Product Name | Model/Part |
|--|------------|
| Premium Engine Oil, 10w30 (Drum) | 108-1179 |
| Premium Engine Oil, 10w30 (Pail) | 108-1180 |
| Premium Engine Oil, 15w40 (Drum) | 108-1181 |
| Premium Engine Oil, 15w40 (Pail) | 108-1182 |
| Premium Transmission/Hydraulic Tractor Fluid (Drum) | 108-1183 |
| Premium Transmission/Hydraulic Tractor Fluid (Pail) | 108-1184 |
| Premium All Purpose Grease | 108-1190 |
| Wheel | 108-6563 |
| Wheel And Tire ASM (Wide Tire Option) | 108-6598 |
| Armrest Adapter Kit | 108-9687 |
| Wheel Weight Kit | 11-0440 |
| Auxiliary Valve Kit | 110-5670 |
| Implement Flow Control Kit | 110-5699 |
| Blower Drive and Mounting Kit | 110-8539 |
| Attachment Frame Kit | 110-8540 |
| Element-Safety, 5 Inch | 114-4057 |
| Tire | 231-95 |
| Rear Weight Kit | 24-5780 |
| V-Plow Mounting Kit | 30311 |
| Mechanical Seat Suspension Kit | 30312 |
| Pneumatic Seat Suspension Kit | 30313 |
| 15 Cubic Foot Bagger Kit | 30356 |
| 60 Inch Blower Kit | 30357 |
| Bimini Sunshade for 2-Post Roll-Over Protection System | 30358 |
| Hardtop Sunshade | 30359 |
| 60 Inch Side Discharge Mower | 30366 |
| 62 Inch Rear Discharge Mower | 30367 |
| 72 Inch Side Discharge Mower | 30368 |
| 72 Inch Rear Discharge Mower | 30369 |
| 62 Inch Guardian Recycler Mower | 30376 |
| 72 Inch Guardian Recycler Mower | 30379 |
| Auxiliary Power Unit | 30382 |
| Cab ASM | 30391 |
| Standard Seat Kit | 30398 |
| 52 Inch Blower Kit | 30502 |
| 52 Inch Side Discharge Mower | 30555 |
| Arm Rest Kit | 30707 |
| 48 Inch V-Plow | 30750 |
| Debris Blower | 30823 |
| Tire | 69-9880 |
| Spark Arrestor Screen | 75-6880 |
| Tire Chains (23 x 9.50-12) | 82531 |

NOTES

NOTES

