



# Throttle Cable Kit

## Groundsmaster 3500-D/3505-D and Reelmaster 3100-D

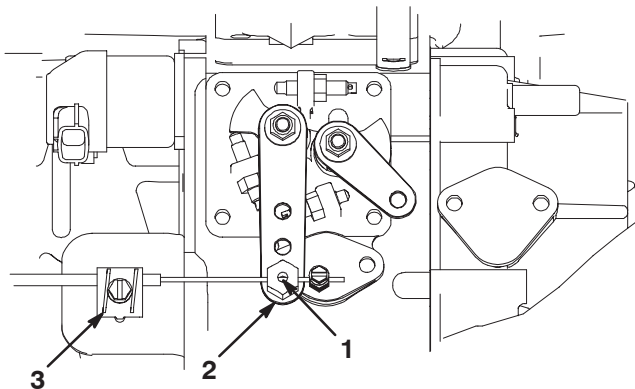
Part No. 112-9918

Form No. 3358-744 Rev. A

### Installation Instructions

#### Replace Throttle Cable

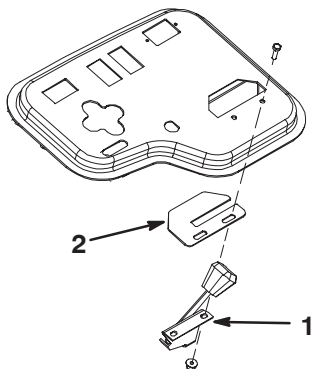
1. Position the machine on a level surface, lower the cutting units, stop the engine, engage the parking brake and remove the key from the ignition switch.
2. Remove the connector securing the throttle cable to the injection pump lever arm swivel(Fig. 1).
3. Remove the cable clamp securing the throttle cable to cable support bracket (Fig. 1).



**Figure 1**

- |                             |                |
|-----------------------------|----------------|
| 1. Throttle cable screw     | 3. Cable clamp |
| 2. Injection pump lever arm |                |

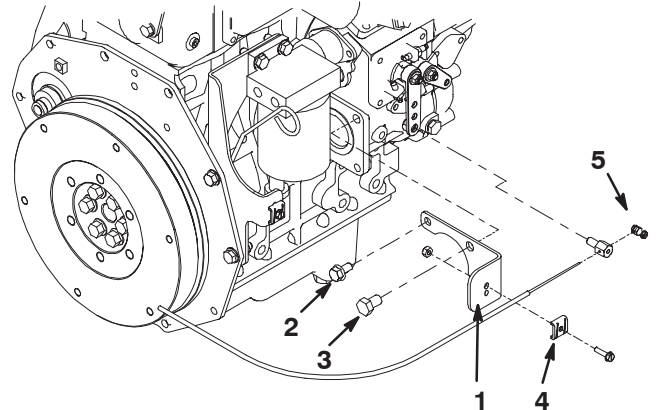
4. Remove the screws and nuts securing the throttle cable lever and throttle stop plate to the control panel (Fig. 2). Note the routing of the cable when removing it.



**Figure 2**

- |                         |                        |
|-------------------------|------------------------|
| 1. Throttle cable lever | 2. Throttle stop plate |
|-------------------------|------------------------|

5. Mount the new throttle cable bracket to the engine with a M8 x 1-1/4 flange head capscrew and a M10 x 1-1/2 capscrew. Locate the bracket as shown in figure 3.



**Figure 3**

- |                                    |                             |
|------------------------------------|-----------------------------|
| 1. Throttle cable bracket          | 3. M10 x 1-1/2 capscrew     |
| 2. M8 x 1-1/4 flange head capscrew | 4. Cable clamp              |
|                                    | 5. Throttle cable connector |

6. Mount the new throttle cable lever and the throttle stop to the control panel with the previously removed screws and nut. Make sure the throttle stop is positioned as shown in figure 2.
7. Route the new cable to the injection pump lever on the engine.
8. Secure the cable to the new throttle cable bracket with a new cable clamp and screw.
9. Secure the cable to the cable support bracket with the cable clamp and screw previously removed (Fig. 3).
10. Loosely attach the cable to the swivel on the injection pump lever arm with the new throttle cable connector (Fig. 3).

#### Adjust the Throttle Cable

1. Position the throttle cable lever rearward so it stops against the control panel slot.
2. Make sure the throttle cable connector on the injection pump lever arm is loose.
3. Hold the injection pump lever arm against the low idle stop and tighten the cable connector.

4. Loosen the screws securing the throttle control to the control panel.
5. Push the throttle control lever forward until the injection pump lever contacts the high idle stop bolt.
6. Slide the stop plate until it contacts the throttle lever and tighten the screws securing the throttle control to the control panel.
7. If the throttle does not stay in position during operation, torque the locknut, used to set the friction device on the throttle lever, to 40–55 in.-lb. (5–6 N·m). The maximum force required to operate the throttle lever should be 20 lb. (27 N·m).